



**COS-101
NON SELF FLUSHING COMBI
REPLACEMENT PARTS LIST**

EFFECTIVE FEBRUARY 16, 2012

Superseding All Previous Parts Lists.

The Company reserves the right to make substitution in the event that items specified are not available.

ERRORS: Descriptive and/or typographic errors are subject to correction.

BLODGETT OVEN COMPANY

44 Lakeside Avenue, Burlington, Vermont 05401 USA Telephone: (802) 658-6600 Fax: (802) 860-3732
www.blodgett.com

P/N 55184 Rev A

SERIAL NUMBER LOCATION / KEY:

IMPORTANT: When ordering parts, please provide the model, gas type, voltage and serial number of the oven. The identification plate is located on the left side of the control compartment.

SERIAL NUMBERS CONTAINING:

101

11M

I

EXAMPLE:

02189611M023S

TO OBTAIN LITERATURE:

Email: literature@blodgett.com

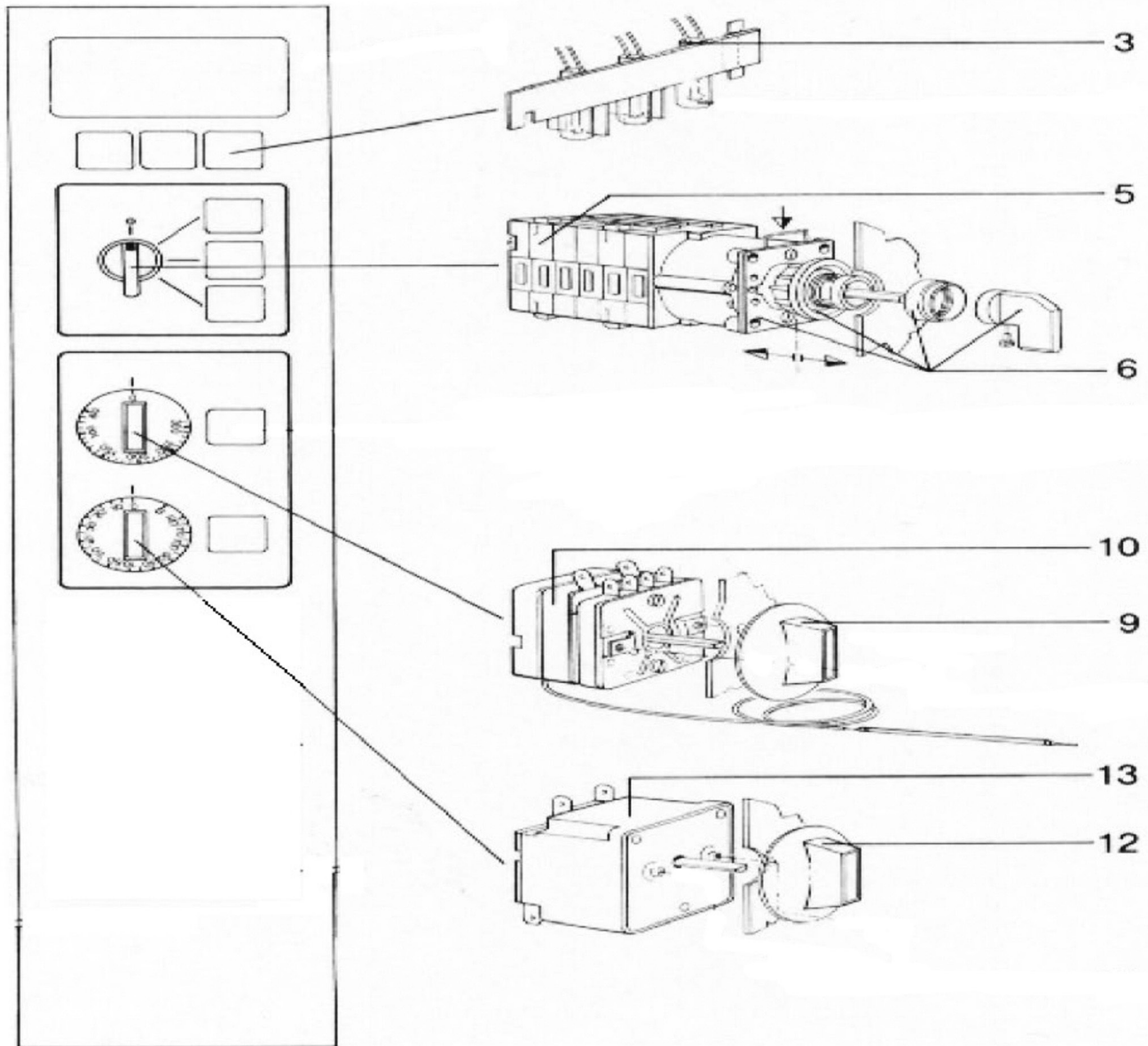
or visit

www.blodgett.com

TABLE OF CONTENTS

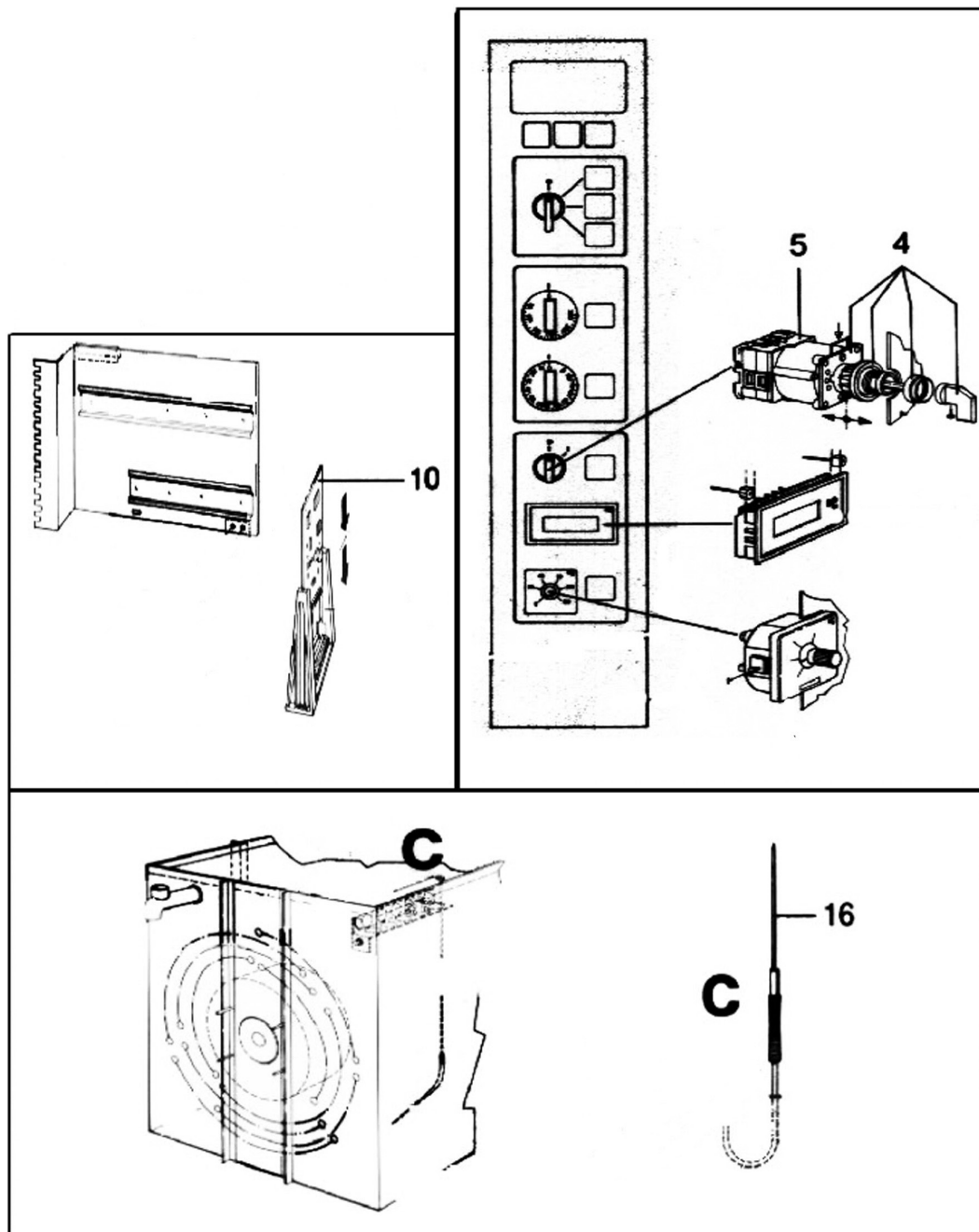
CONTROL PANEL	PAGE 4
STANDARD CONTROL W/MEAT PROBE OPTION	PAGE 5
ELECTRICAL COMPONENTS	PAGE 6
DOOR COMPONENTS.....	PAGE 8
MOTOR COMPONENTS	PAGE 9
INTERIOR COMPONENTS	PAGE 10
STEAM GENERATOR COMPONENTS	PAGE 12
PLUMBING COMPONENTS	PAGE 14

CONTROL PANEL



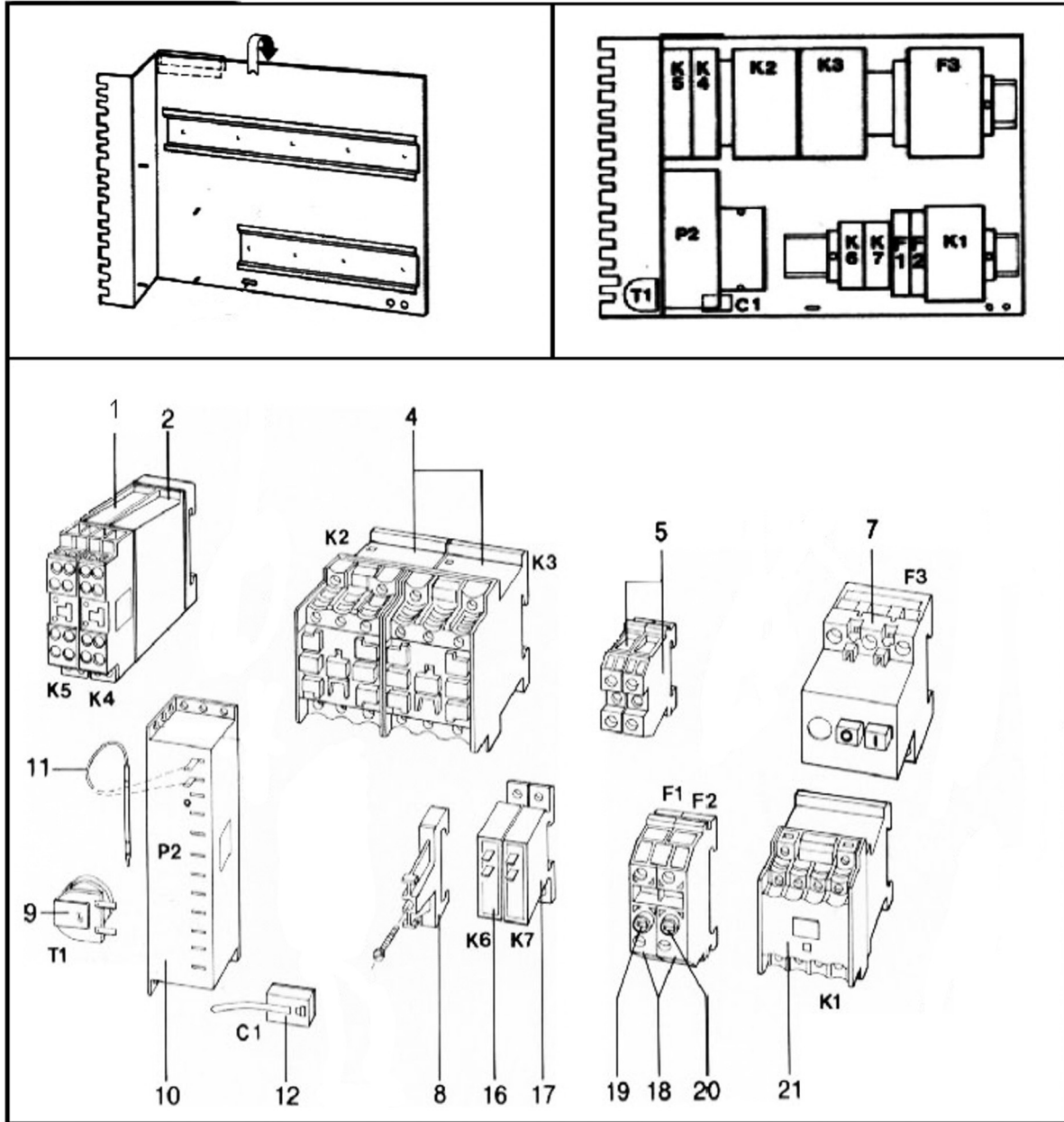
Ref. No.	Part No.	Description
3	R0135	Socket, control lamp (for use on very early models)
	R0226	Indicator light, clear
	R1318	Indicator light, green
5	R0069	Mode Switch, 4 position, S2
6	R0364	Knob, mode switch w/ring
9	R0116	Knob, Thermostat
10	R1178	Thermostat, hot air w/knob & screws P5
12	R0115	Knob, Timer
13	R1182	Timer, 120 minutes w/knob & screws S3

STANDARD CONTROL W/MEAT PROBE OPTION



Ref. No.	Part No.	Description
1	R2750	Decal, control panel w/meat probe
4	R0364	Knob assy, on/off switch (Pre 1986)
5	R4622	Switch, on/off meat probe S5 (Pre 1986)
	R5686	Switch, on/off meat probe (After 1986)
10	R0149	Thermostat, meat probe 240V (Pre 1986)
	R6746	Retrofit kit, meat probe controller (Pre 1986)
	R5242	Controller only, meat probe (After 1986)
16	R0247	Sensor, meat probe s/s spiral (Pre 1986)
	R5317	Retrofit kit, sensor spiral to plug in type
	R5315	Sensor, meat probe plug in type (After 1986)
	R5219	Panel jack, sensor plug in

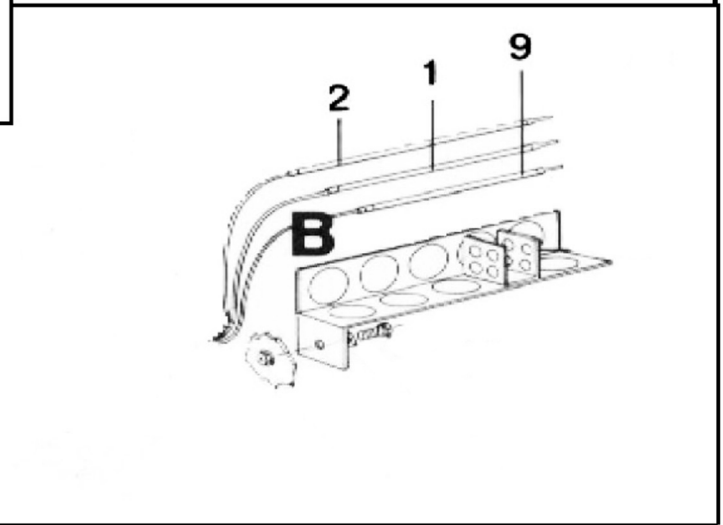
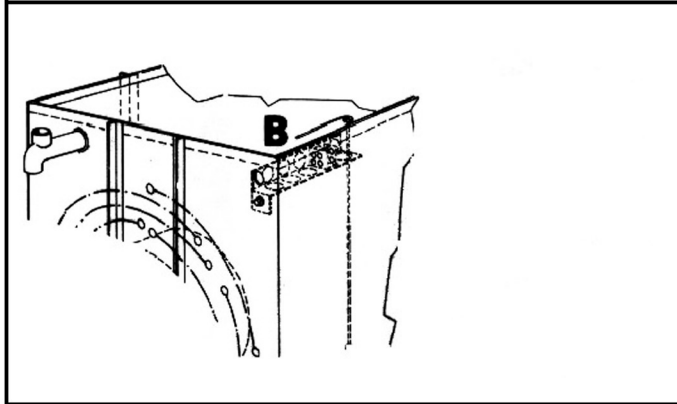
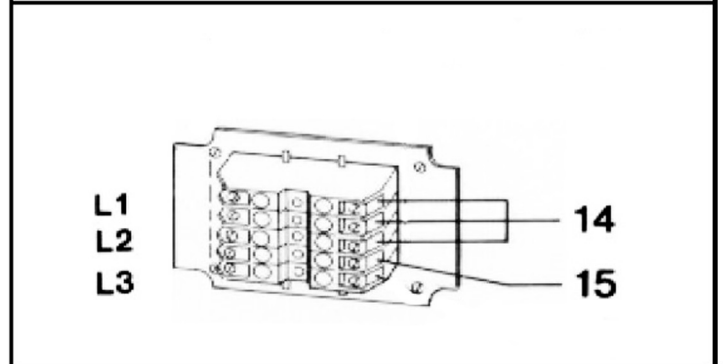
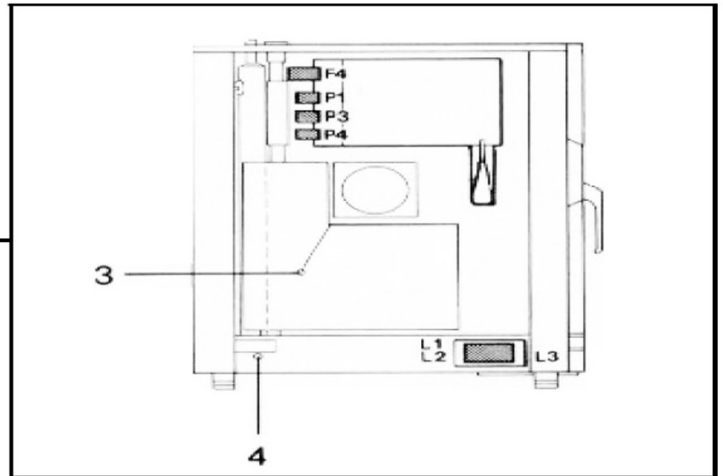
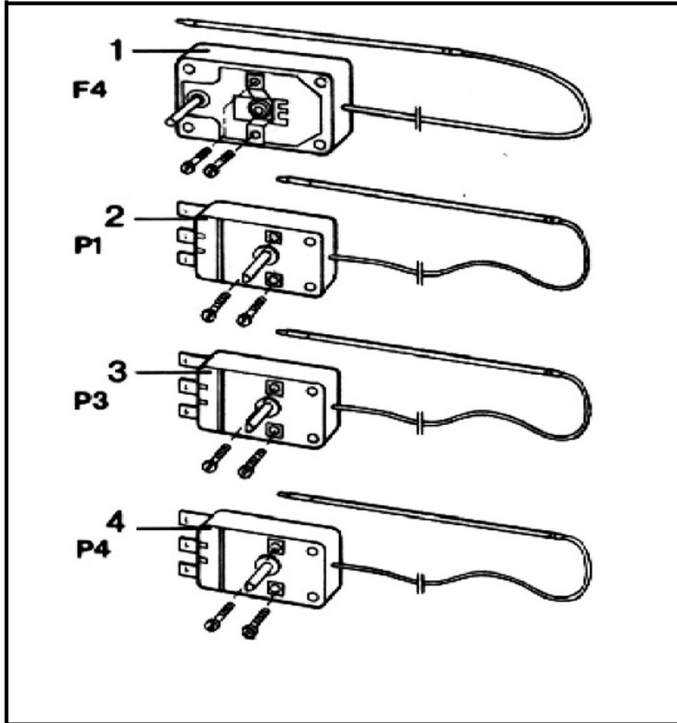
ELECTRICAL COMPONENTS



Ref. No.	Part No.	Description
1	R2506	Relay, time delay (Generator Fill) K5
2	R2506	Relay, time delay (Low Water) K4
4	R0143	Contactors, mechanical, air or steam, 240V, K2 K3
	R1571	Contactors, mercury, hot air or steam
	R1808	Auxiliary contactors, mercury
5	R1586	Terminal block, grey power
7	R0291	Protectors, motor PKZ00 Auto Reset F3
	R0261	Protectors, motor PKZM On/Off Reset F3
9	R9498	Buzzer
10	R1443	Controller, solid state steam P2
	R1440	Plastic channel, P2
11	R0022	Sensor, temperature, steam P2

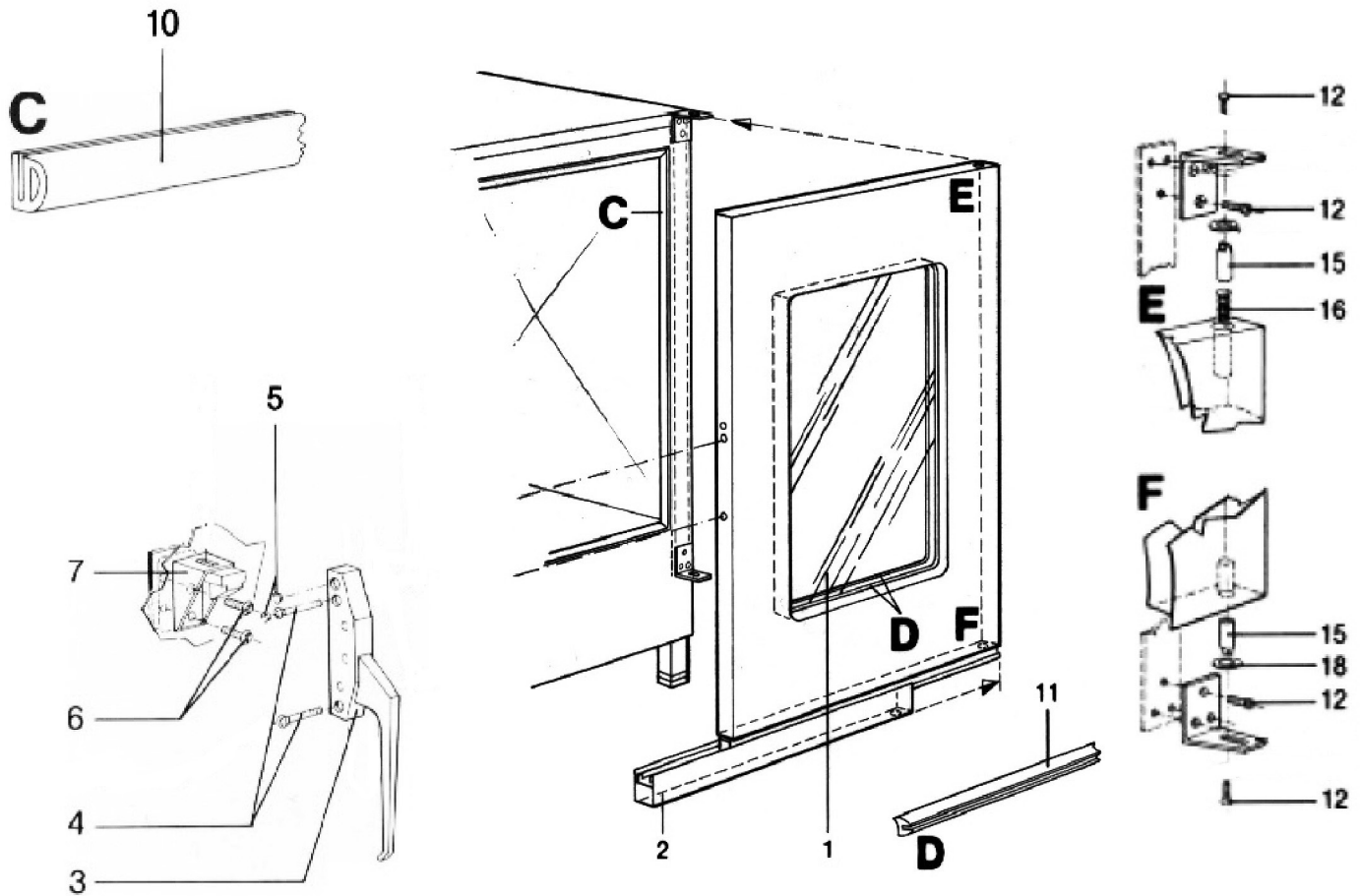
Ref. No.	Part No.	Description
12	R6988	Suppressor, contactor coil, C1
16	R7652	Relay, time delay (Blinker) K6
17	R2506	Relay, time delay (Motor Start Delay) K7
18	R1581	Holder, fuse 3 amp push in type
	20163	Holder, fuse 3 amp twist lock type
	R0029	Holder, fuse 6 amp
19	R0030	Fuse, 6 amp KTRN6, F2
20	R0032	Fuse, 3 amp SC3, F1
	R0043	Fuse, 3 amp KTKR3, F1 (Canada Only)
21	51692	Contactors, motor 208V, K1
	51693	Contactors, motor 240V, K1
	23034	Cooling fan, axial
	M0572	Plug/cord, cooling fan

ELECTRICAL COMPONENTS



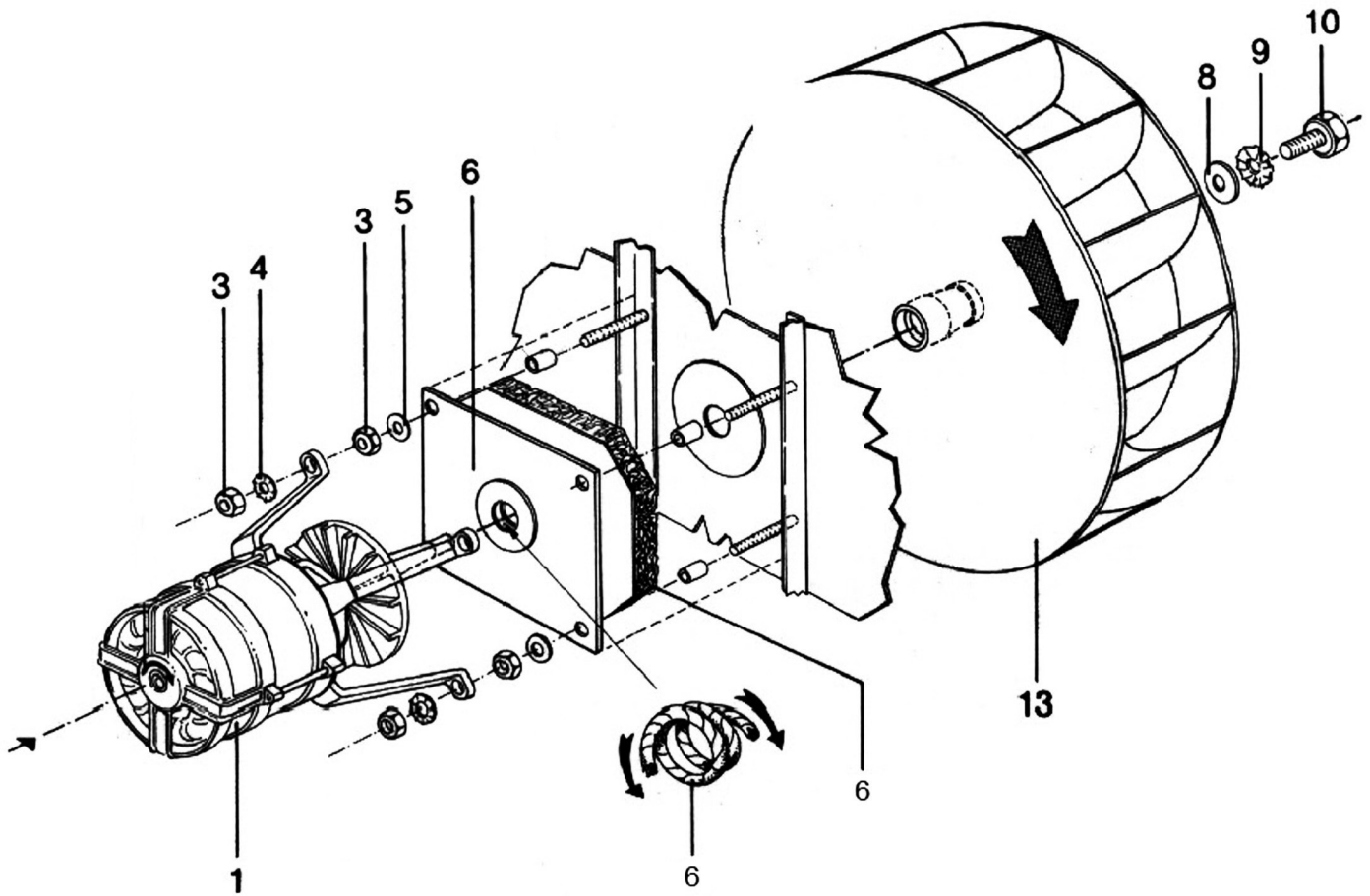
Ref. No.	Part No.	Description
1	R1573	Thermostat, Cooking Compartment F4
2	R0121	Thermostat, Too Hot To Steam, P1
3	R0118	Thermostat, Pre Heat Priority, P3
4	R0122	Thermostat, Quench, P4
9	R1178	Thermostat, hot air P5
14	R1586	Terminal Block, Power
15	R1586	Terminal Block, Power
	R2039	Thermostat, fan control high limit
	R2040	Thermostat, stack high limit

DOOR COMPONENTS



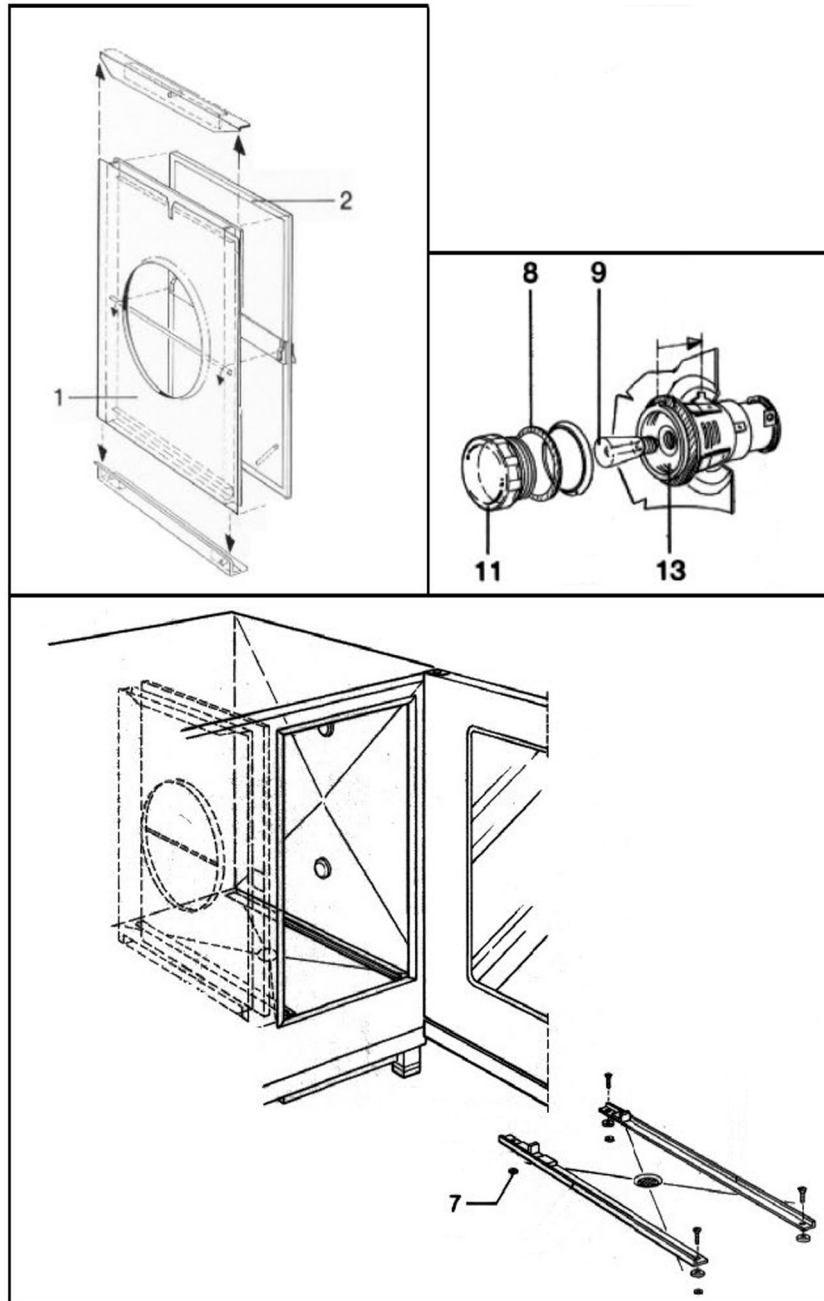
Ref. No.	Part No.	Description	Ref. No.	Part No.	Description
	R2916	Door complete		R1795	Cap, handle screw (before 120198) (S/N's I)
1	R5798	Glass, door	6	R0028	Screw, door catch
2	R2080	Trough, door drip	7	R2296	Catch, door (w/hardware)
	R3089	Holder, drip trough	10	R3014	Gasket, door
	R1278	Rivets, trough holder	11	R2105	Gasket, door glass (per foot)
3	R6313	Handle, door (after 120198)		R1472	Rivets, 1/8" for window frame
	R7833	Handle Retrofit, door (before 120198)	12	R0026	Screw, socket head cap (S/N's 101, 11M)
	R7830	Plate, handle (after 120198)		R2292	Washer, hinge (S/N's I)
	R2369	Plate, handle (before 120198) (stripped hole)	15	R0059	Pin, hinge (S/N's 101,11M)
	R1452	Plate, shim handle (before 120198)		R3397	Pin, hinge (S/N's I)
	R0027	Screw, handle (before 120198) (S/N's 101, 11M)		R0031	Screw, hex head hinge pin (S/N's 101, 11M)
4	R1286	Screw, handle (before 120198) (S/N's I)	16	R0047	Spring, compression, hinge pin
			18	R0041	Washer, door height adjustment (S/N's 101, 11M)

MOTOR COMPONENTS



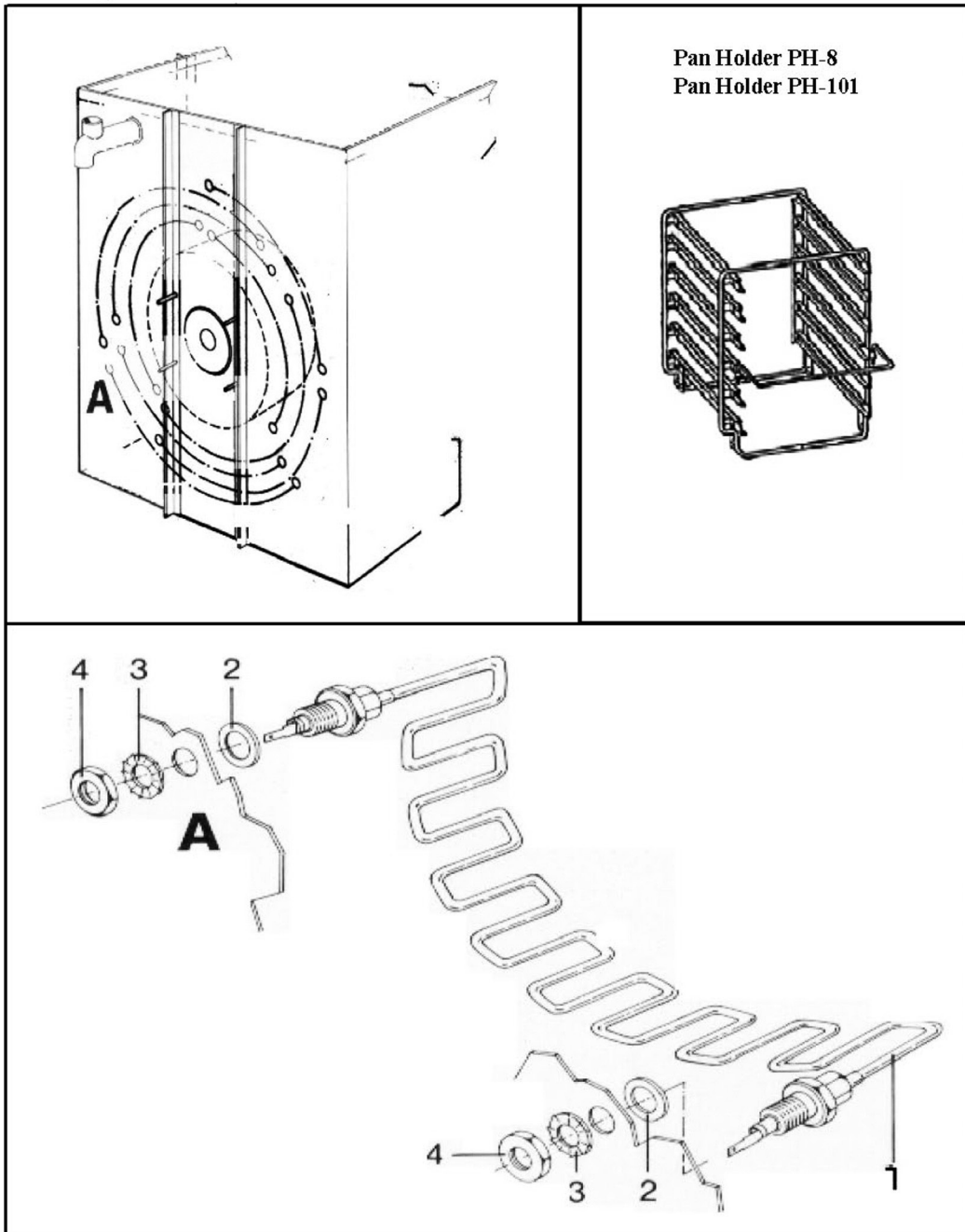
Ref. No.	Part No.	Description
1	R0092	Motor, 208/240V, 3ph
	R0079	Motor, 240V, 1ph
	R3025	Heat slinger, motor
3	R0037	Nut, hex motor mounting (S/N's 101, 11M)
	R0714	Nut, hex motor mounting (S/N's I)
4	R0039	Washer, toothed lock (S/N's 101, 11M)
	8532	Washer, toothed lock (S/N's I)
5	R0231	Washer
6	R2328	Packing, motor shaft
8	R0232	Washer, blower wheel
9	R0233	Washer, toothed lock, blower wheel
10	R0034	Screw, hex, blower wheel
13	R0123	Blower wheel (S/N's 101, 11M)
13	R1028	Blower wheel (S/N's I)
	R2425	Capacitor, motor start 6mfd (S/N's 101)
	R0083	Capacitor, motor strat 6mfd (S/N's 11M, I)
	R2012	Cover, capacitor
	R2010	Bracket
	15882	Nut, 1/4-20
	1265	Washer, lock

INTERIOR COMPONENTS



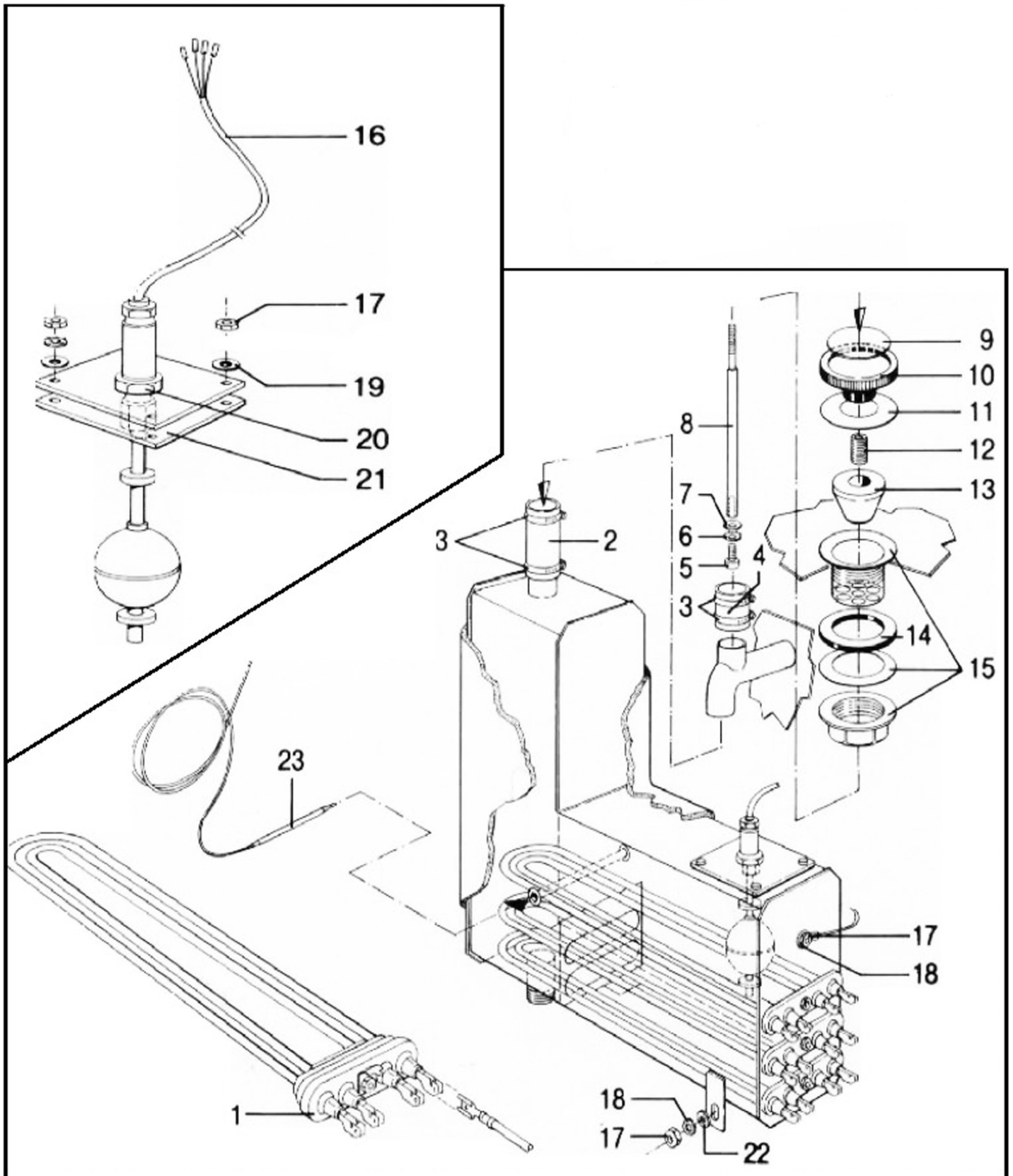
Ref. No.	Part No.	Description
	R0131	Interior lamp, complete
	R1525	Fuse, retrofit kit interior lights (S/N's 101)
	20163	Holder, fuse 1amp (S/N's 101)
1	R1744	Baffle, air
2	R3760	Filter, grease (12"x12")
	R8128	Retrofit kit, filter and baffle
7	R0712	Nut, rivet
8	R1497	Gasket, lamp lens
9	R0133	Bulb, heat-resistant
11	R1496	Lens, lamp
	R1498	Lens assy, w/gasket
	R2212	Tool, new style light lens
13	R0132	Socket, lamp

INTERIOR COMPONENTS



Ref. No.	Part No.	Description
	R7869	Pan Holder PH-8
	R7870	Pan Holder PH-10
1	R3649	Elements, hot air 208V
	R3650	Elements, hot air 240V
2	R0100	Nut, element mounting
3	R0098	Washer, element hot air
4	R0099	Washer, external tooth hot air

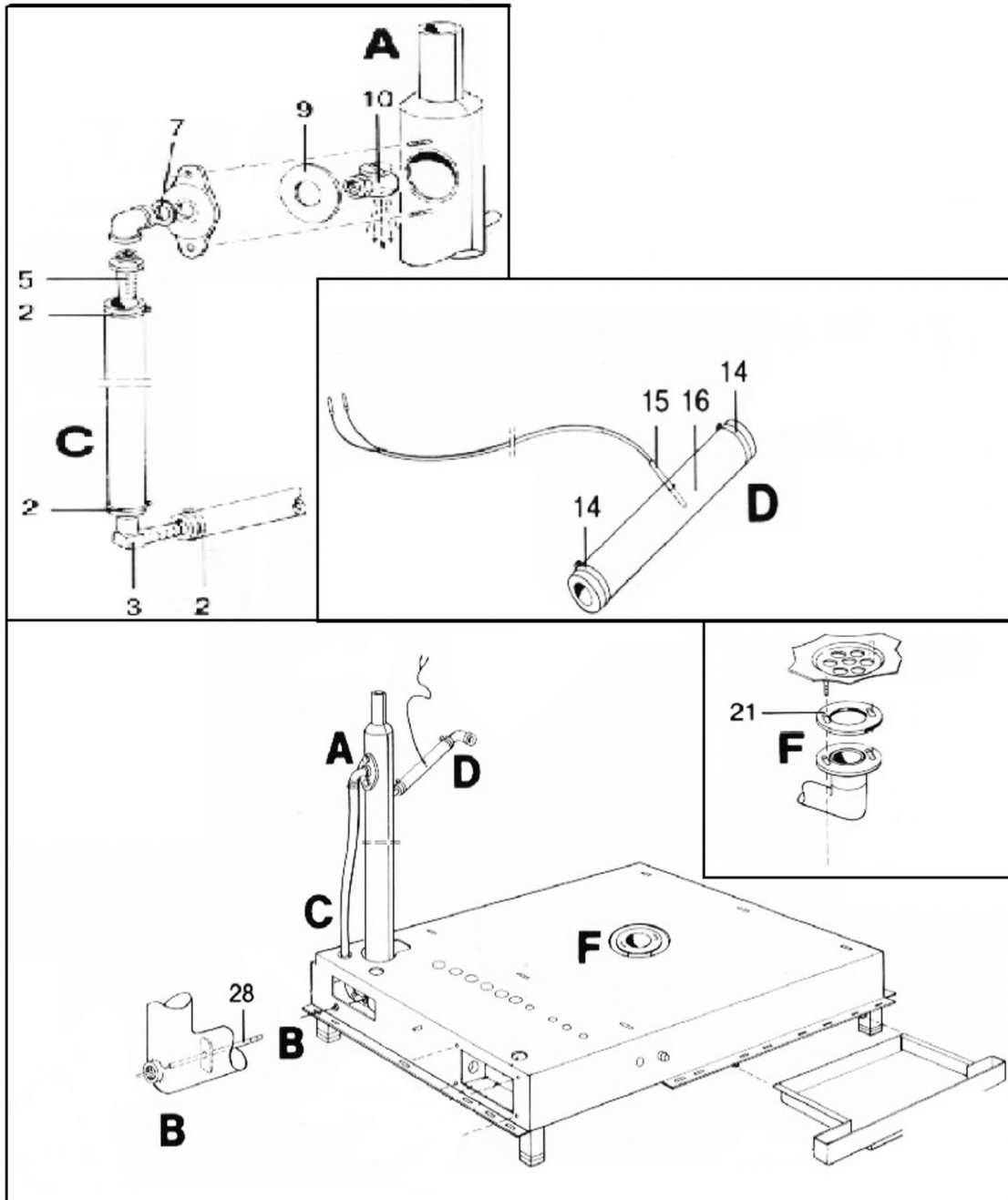
STEAM GENERATOR COMPONENTS



STEAM GENERATOR COMPONENTS

Ref. No.	Part No.	Description
	R0207	Valve assy, decalcifier inlet
	R0203	Steam generator w/insulation & hi limit
	R1482	Insulation, steam generator
1	R2768	Element Assy, Steam 208V3kw
	R2771	Element Assy, Steam 240V 3kw
2	R2814	Hose, steam outlet 1-3/8" ID (per foot)
3	R0082	Clamp, hose
4	R2814	Hose, 1-3/8" ID (per foot)
	NOTE:	Items 5 through 15 are included in assembly R0207
5		Screw, hex socket head
6		Washer, spring
7		Washer
8		Guide bar
9		Cover, plate aluminum
10		Handle, plastic, safety valve
11		Gasket
12		Thread insert
13		Cone, safety valve
14		Gasket
15		Valve body, safety
	R8397	Level Switch Assy Retrofit
16	R2329	Float Switch Assy
	R0920	Plate, float switch
17	R0035	Nut, hex switch plate
	15882	Nut, hex 1/4-20 level switch plate
19	1265	Washer
20	R0071	Nut, hex switch plate
21	R1491	Gasket, float switch
22	R0733	Washer, flat strap
23	R1480	Thermostat, high limit

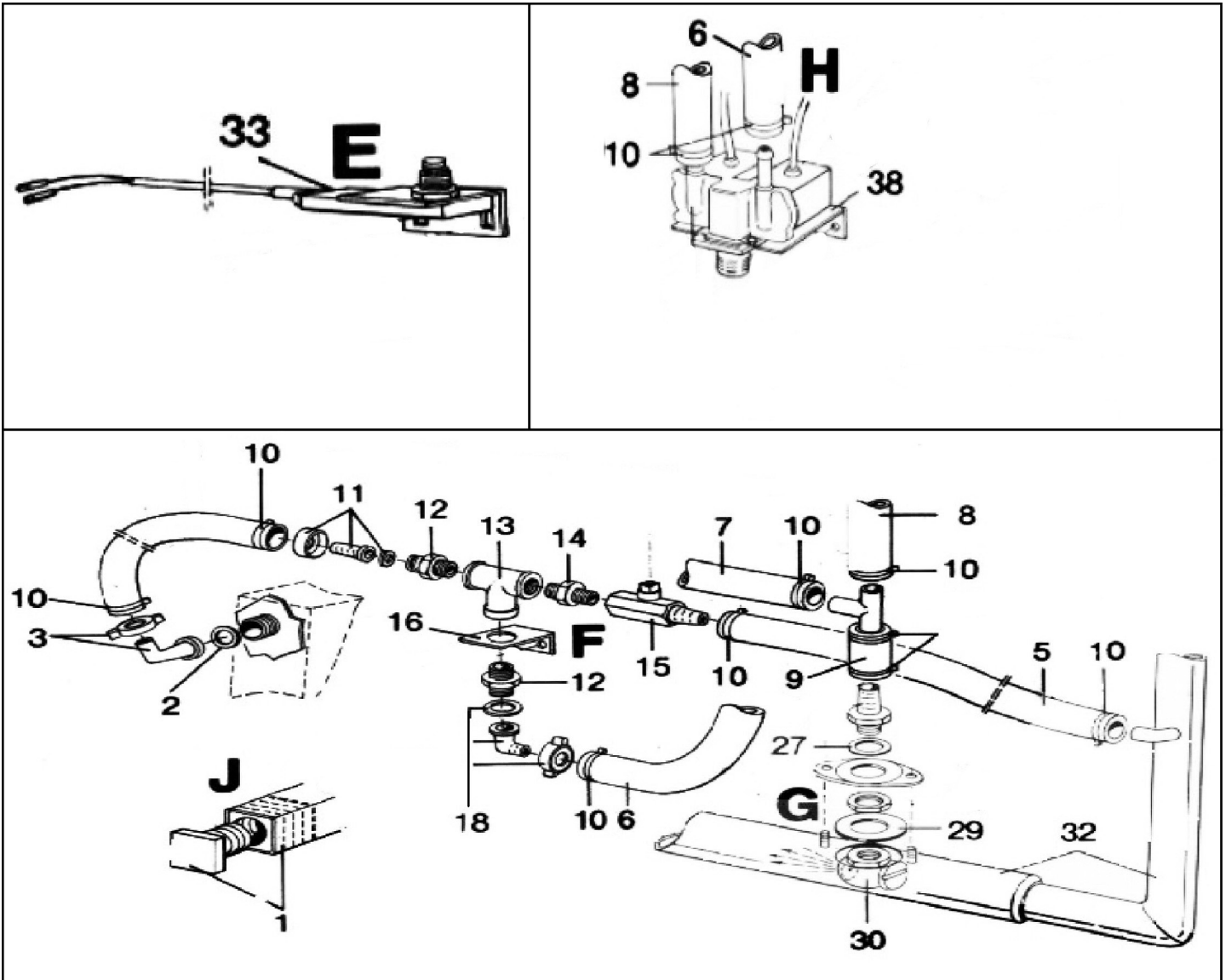
PLUMBING COMPONENTS



Ref. No.	Part No.	Description
2	R0080	Clamp, hose
3	R1086	Elbow, fitting
	R1085	Washer, elbow
5	R5071	Fitting, hose 3/8"
7	R0068	Gasket
9	R3755	Gasket
10	R0062	Nozzle, quench (S/N's 101, 11M)
	R3643	Nozzle, upper/lower assy (S/N's I)

Ref. No.	Part No.	Description
14	R0080	Clamp, hose
15	R0022	Sensor, steam controller P2
16	R2814	Hose, silicon 42mm (per foot)
	R0082	Clamp, hose
21	R1672	Gasket, drain
	R2081	Pan, drip (S/N's I)
28	R0122	Thermostat, quench

PLUMBING COMPONENTS



Ref. No.	Part No.	Description
10	R0080	Clamp, hose
	NOTE:	Items 11, 12, 14 and 16 are included in assembly R1918
11		Fitting, 3/4"
12		Nipple, 1/2" x 3/4"
13	R0643	T-Fitting 1/2" (S/N's 101, 11M)
	R1901	T-Fitting 1/2" (S/N's I)
14		Double nipple, 1/2"
15	R0075	Ball Valve (S/N's 101, 11M)
	R1918	Ball Valve (S/N's I)
	R0076	Elbow, generator drain valve
16		Holder, T-fitting
18	R2017	Elbow, fitting 3/4"
	R1325	Cover lever, valve (S/N's I)
27	R0068	Gasket

Ref. No.	Part No.	Description
29	R3755	Gasket
30	R0062	Nozzle, quench (S/N's 101, 11M)
	R3643	Nozzle, quench (S/N's I)
32	R1037	Drain system complete (atmospheric vented)
33	R0225	Switch, door
	R1417	Screw, shoulder 1/4-20 x 5/16" (kit)
	R0391	Insert, 1/4-20 (kit)
	R2522	Solenoid Valve, dual
	R2997	Solenoid Valve, Conversion kit single to double
38	R2567	Holder, double solenoid valve
	R2202	Boot, drain manifold connecting 2"
	R2207	Clamps, drain boot
	R11210	Pressure regulator