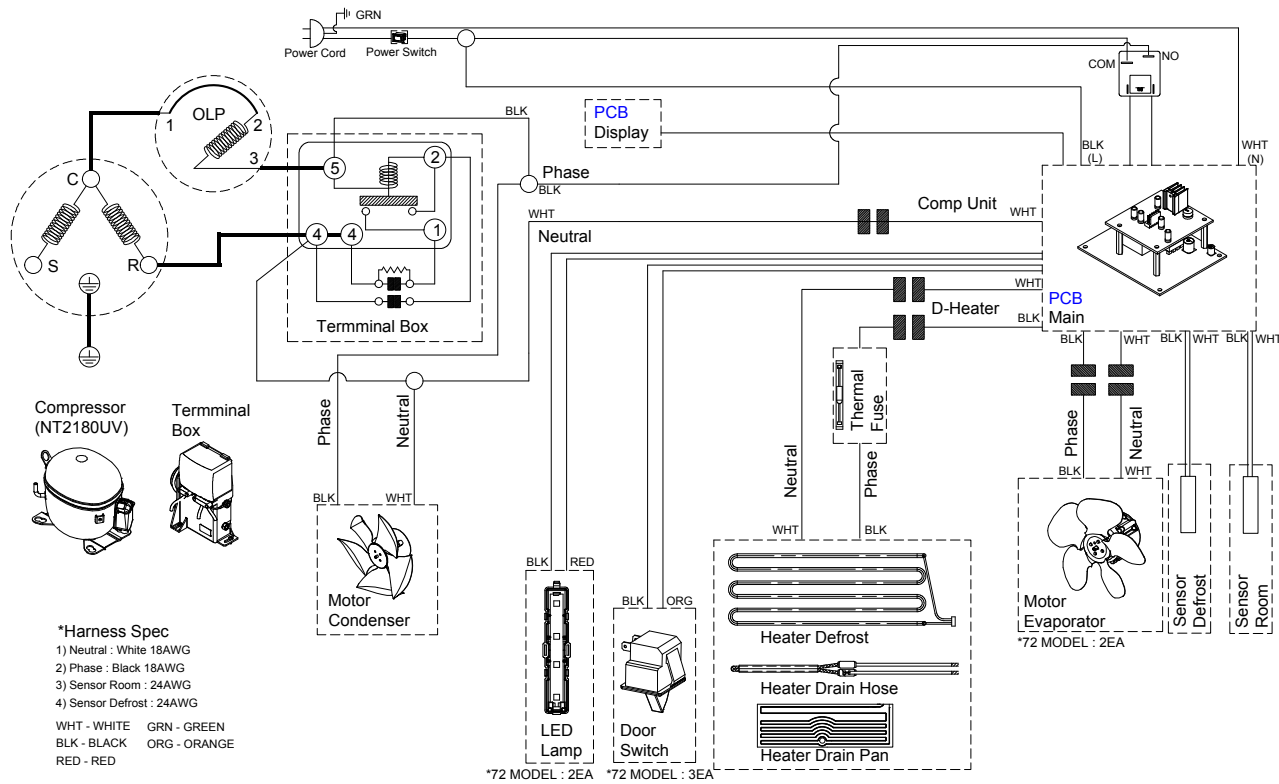


BM, TM (72F)

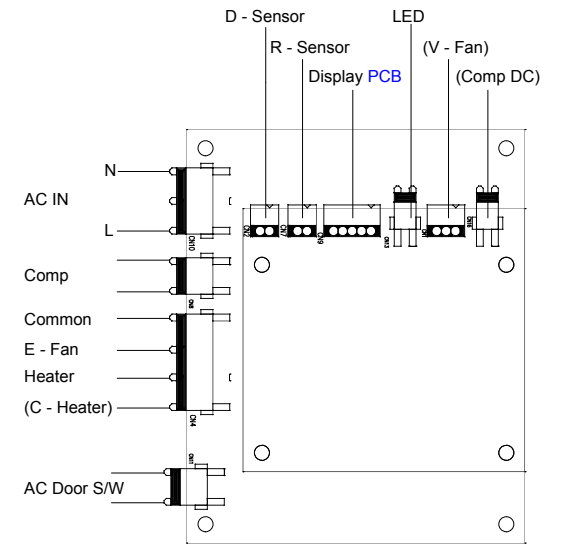
CIRCUIT DIAGRAM

□□□□



(115V/60Hz)

PCB LAYOUT



*72F-HC