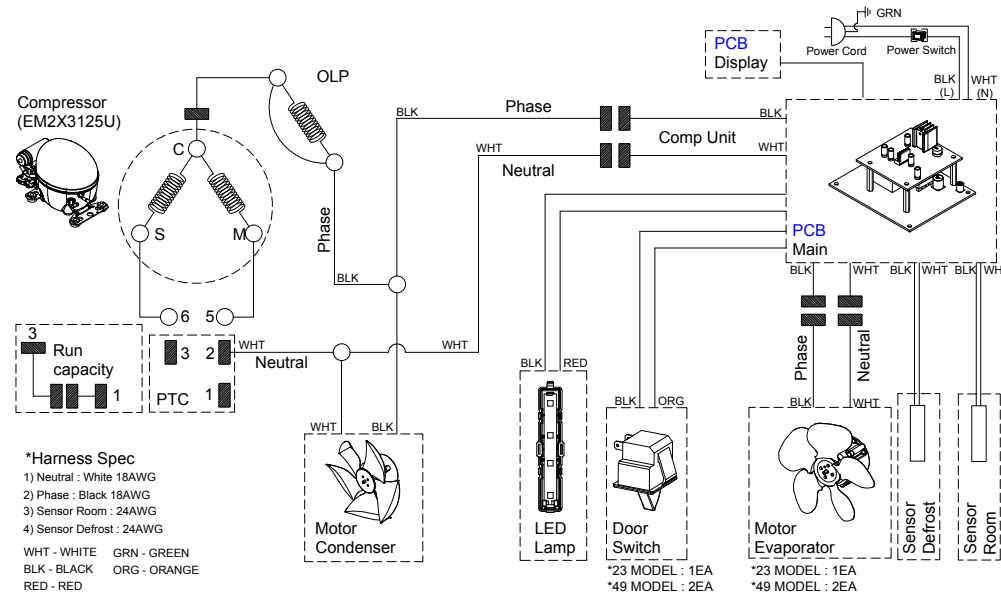


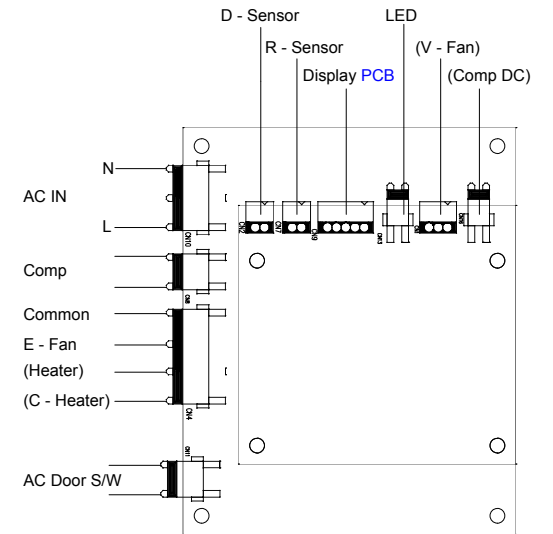
BM, TM (23R, 49R)

CIRCUIT DIAGRAM

□□□□



PCB LAYOUT



(115V/60Hz)

* 23R, 49R-HC