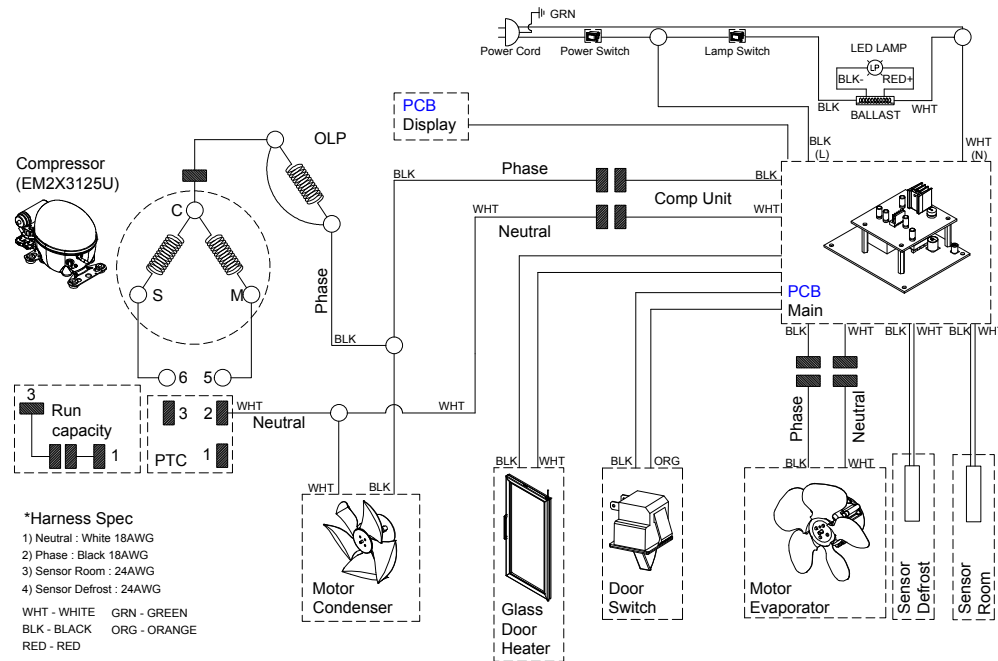


BM (23RG)

CIRCUIT DIAGRAM

□□□□



(115V/60Hz)

* 23RG-HC

PCB LAYOUT

