

BLUI-250A Ice Machine Exploded View



■ INDEX

- CABINET.....P. 4
- CONTROL BOX.....P. 6
- REFRIGERATION CIRCUIT.....P. 8
- WATER CIRCUIT.....P. 10
- HOSE SPRAY & DRAIN.....P. 12
- PIPE ASSY.....P. 14
- ACCESSORIES.....P. 15

■ PRODUCT SERIAL NUMBER INSTRUCTION

BSR1 A94 H 8 00001 P

BSR1 / Model code

A94 / Manufacturer code

H / Year, produced

D	E	F	G	H	J
2012	2013	2014	2015	2016	2017

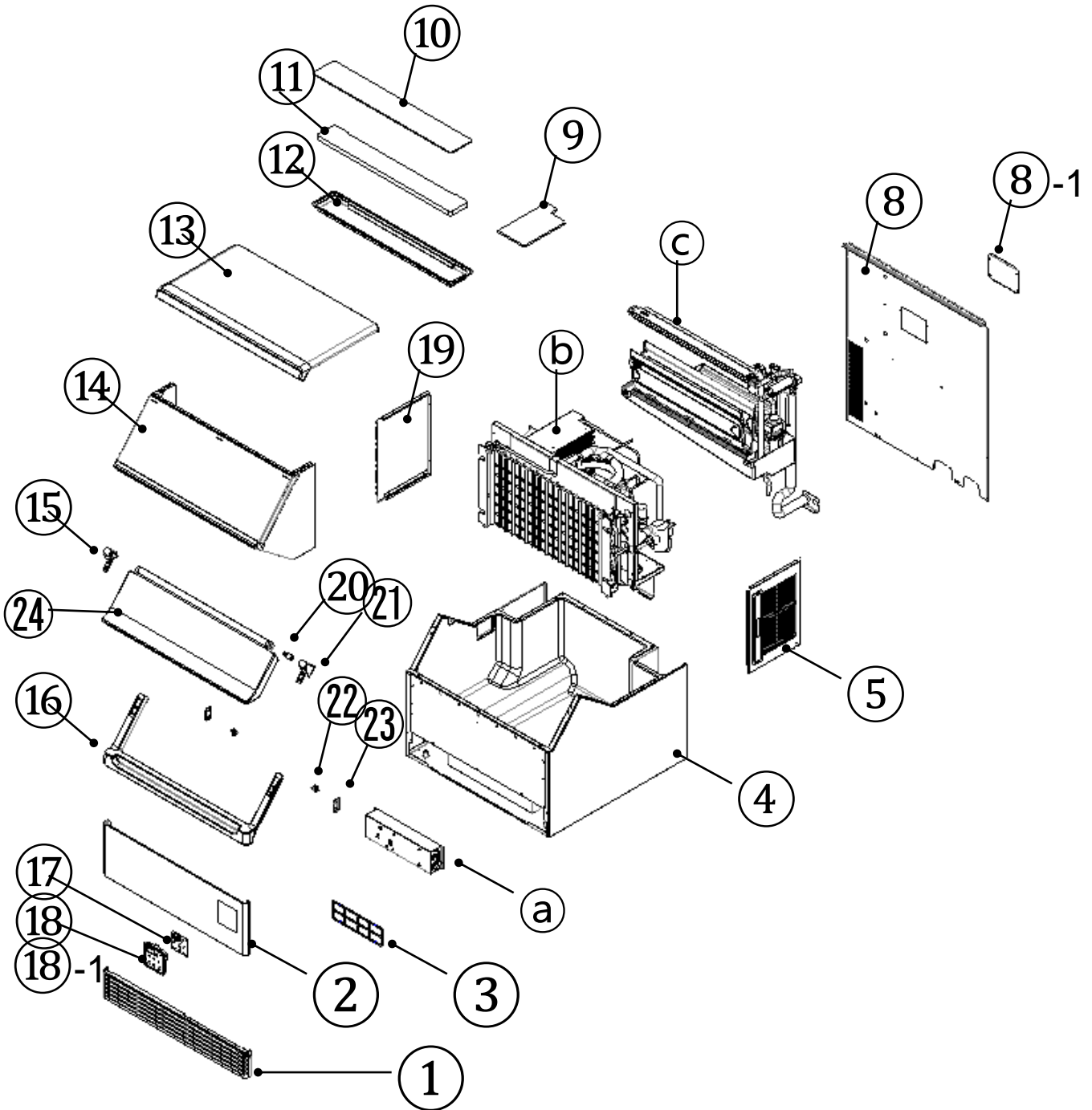
K	M	N	O	P	R
2018	2019	2020	2021	2022	2023

1	2	3	4	5	6
Jan	Feb	Mar	Apr	May	Jun

7	8	9	A	B	C
Jul	Aug	Sep	Oct	Nov	Dec

8 / Month, produced

CABINET

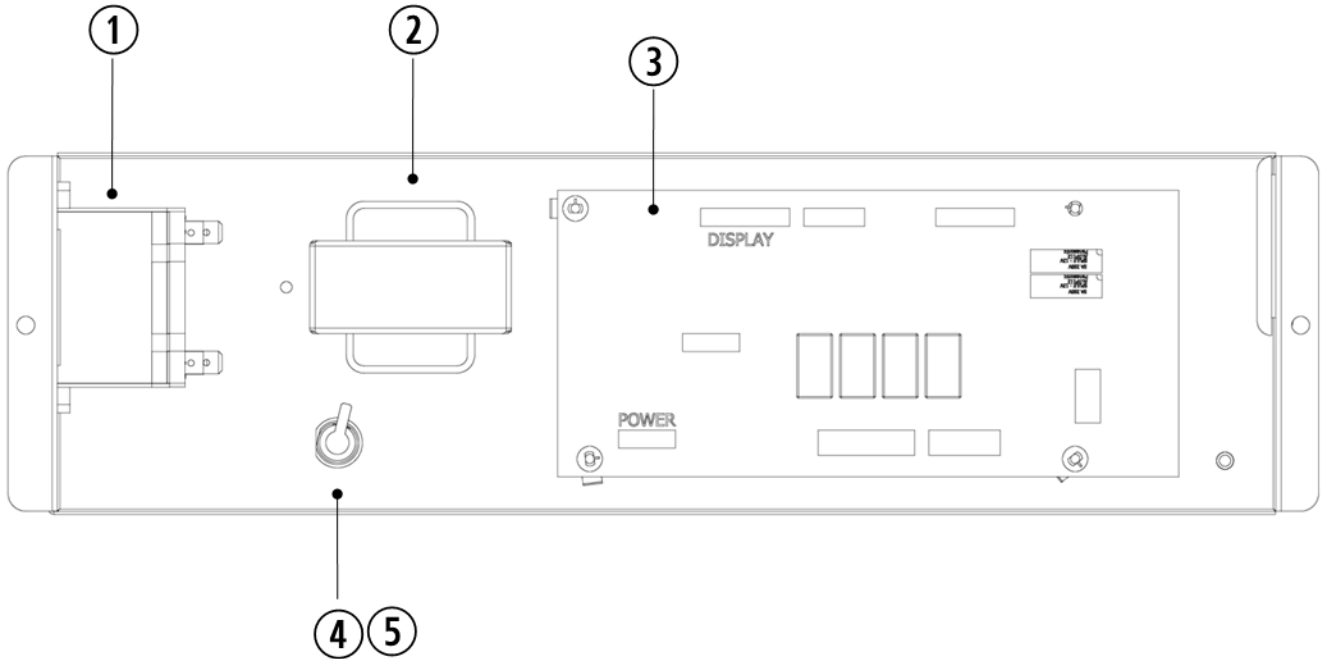


CABINET

Parts highlighted in yellow are recommended parts.
 Parts with a cut date are subject to the specified cut date.
 Parts with a previous code are universally compatible.

NO.	CODE-NO	PART NAME	SPEC	NOTE	REQUIRED QUANTITY	LIST PRICE
A	I832A-010	CONTROL BOX ASSY		Before Feb, 2018	1	US\$575.16
	I832A-140	CONTROL BOX ASSY		Since Feb, 2018	1	US\$560.78
B	-	REFRIGERATION CIRCUIT			-	N/A
C	-	WATER CIRCUIT ASSY			-	N/A
1	I340A-050	BOTTOM GRILLE			1	US\$28.76
2	I357A-010	FRONT PANEL			1	US\$64.71
3	I334A-030	FILTER			1	US\$28.76
4	I858B-950	CABINET ASSY			1	US\$1,228.76
5	I858B-580	SIDE COVER RH ASSY			1	US\$179.74
6	I359A-341	REAR PLATE RH		Before May, 2018	1	US\$14.38
7	I359A-350	REAR PLATE LF			1	US\$14.38
8	I325A-630	REAR COVER		Before May, 2018	1	US\$35.95
	I325B-090	REAR COVER		Since May, 2018 Before Mar, 2019 Includes 6, 7	1	US\$7.19
	I325B-320	REAR COVER		Since Mar, 2019 Includes 6, 7	1	US\$64.71
8-1	I325B-300	REAR COVER B		Newly applied as of Mar, 2019	1	US\$7.19
9	I348A-680	CONDENSER INSULATOR COVER			1	US\$7.19
10	I348A-700	EVAPORATOR INSULATOR COVER UPPPER			1	US\$7.19
11	I348A-570	EVAPORATOR INSULATOR COVER LOW			1	US\$7.19
12	I325A-640	EVAPORATOR COVER UPPPER			1	US\$21.57
13	I858C-150	TOP COVER			1	US\$107.84
14	I858C-110	FRONT COVER			1	US\$546.41
15	I343A-070	HINGE LF			1	US\$14.38
16	I337A-151	DOOR FRAME			1	US\$43.14
17	I725A-020	DISPLAY PCB			1	US\$57.52
18	I325A-111	DISPLAY COVER			1	US\$21.57
18-1	I511A-011	CONTROL INLAY		Previous code: I511A-010	1	US\$14.38
19	I325A-621	SIDE COVER LF			1	US\$35.95
20	I328A-030	DAMPER		Before May, 2018	1	US\$71.90
	I328A-040	DAMPER		Since May, 2018	1	US\$86.27
21	I343A-081	HINGE RH			1	US\$7.19
22	I395A-051	THUMB BOLT			2	US\$3.59
23	I315A-580	FRONT COVER BRACKET			2	US\$3.60
24	I817A-060	DOOR			1	US\$161.60

CONTROL BOX



NO.	CODE-NO	PART NAME	SPEC	NOTE	REQUIRED QUANTITY	LIST PRICE
1	R748A-020	POWER RELAY			1	US\$86.27
2	R7504-060	POWER TRANSFORMER	INPUT:AC120V/60Hz.		1	US\$49.02
			OUTPUT:12V/1.35A			
			CLASS2 14.11.25JEIL			
3	I725A-220	MAIN PCB		Previous code: I725A-040 Model setting required	1	US\$172.55
4	I749A-020	FUSE HOLDER			1	US\$14.38
5	I718A-030	FUSE	125V/15A		1	US\$7.26

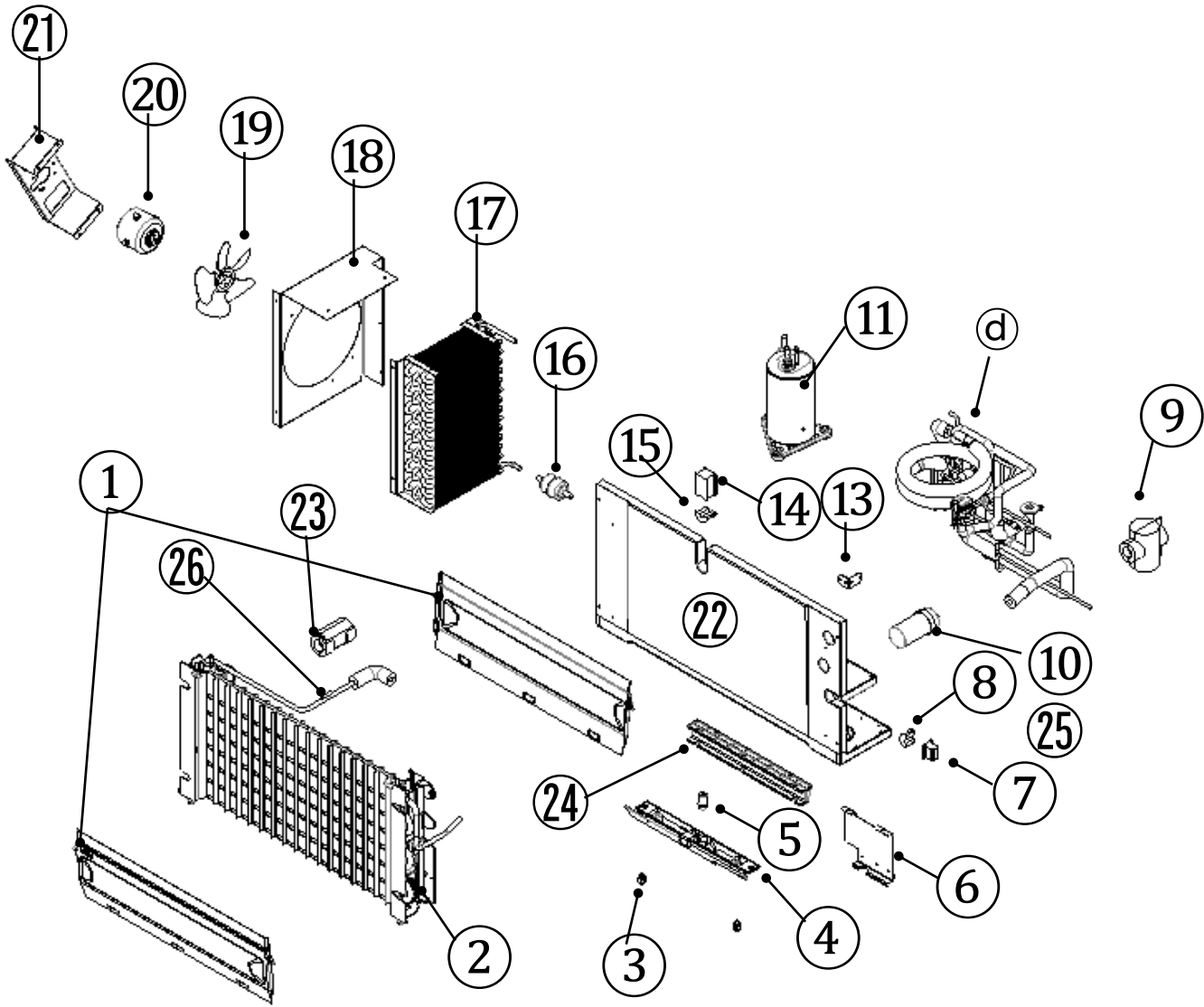
■ PCB MODEL SETTING INSTRUCTION

- 1) Hold 'Check' button for 5 seconds (Display:P-1)
- 2) Hit 'Check' button 10 times (Display:P-6)
- 3) To change model name hit 'Power' or 'Wash' button

MODEL	DISPLAY
BLUI-250A	25A
BLMI-300A	30A
BLMI-500A	50A
BLMI-650A	65A
BLMI-900A	90A

- 4) Hold 'Check' button for 5 seconds to apply

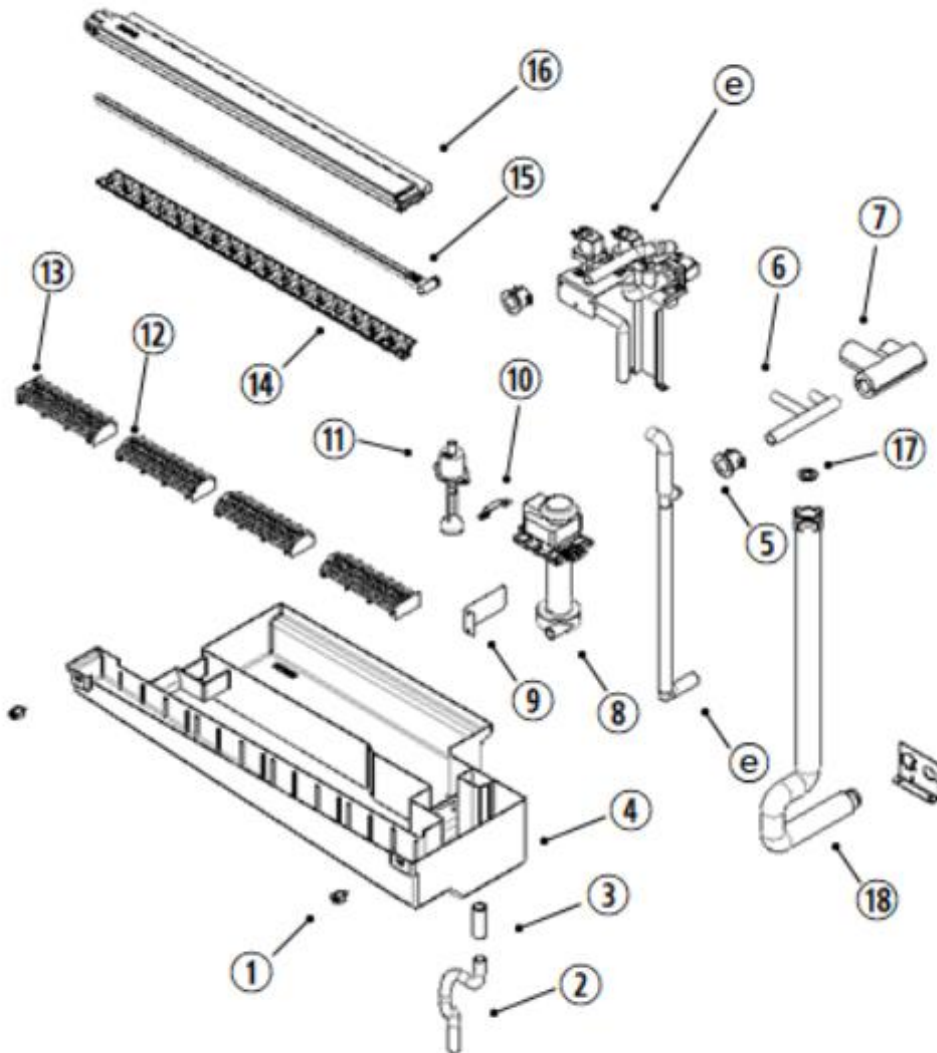
REFRIGERATION CIRCUIT



REFRIGERATION CIRCUIT

NO.	CODE-NO	PART NAME	SPEC	NOTE	REQUIRED QUANTITY	LIST PRICE
D	I858C-160	PIPE ASSY		Before Feb, 2018	1	US\$654.25
	I858D-050	PIPE ASSY		Since Feb, 2018 Before Nov, 2018	1	US\$927.45
	I858E-420	PIPE ASSY		Since Nov, 2018	1	US\$1,286.93
1	I858C-090	EVAPORATOR COVER ASSY		Assy code of I325A-330	2	US\$64.71
2	I910A-030	EVAPORATOR			1	US\$1,049.67
3	I395A-070	THUMB BOLT			2	US\$3.59
4	I858B-500	BIN SWITCH			1	US\$64.71
5	I300A-110	SWITCH GROMMET			1	US\$7.19
6	I858C-280	WATER TANK BRACKET			1	US\$28.76
7	I300A-090	PIPE INLET GROMMET B			1	US\$14.38
8	I300A-070	PIPE INLET GROMMET A			1	US\$7.19
9	I348A-600	EXPANSION VALVE INSULATOR			1	US\$14.38
10	I746A-010	STARTING CAPACITOR	240 μ F	Before Feb, 2018	1	US\$63.91
	I739A-230	RUNNING CAPACITOR	370VAC, 40 μ F	Since Feb, 2018	1	US\$35.95
11	I714A-060	COMPRESSOR	AC 115V/60Hz SC10CL	Before Feb, 2018	1	US\$877.12
	I714A-230	COMPRESSOR	AC 115V/60Hz, UG9C050HS	Since Feb, 2018	1	US\$806.83
12	I319A-660	COMPRESSOR CHARGING PIPE		Removed as of Feb, 2018	1	US\$21.57
13	I315A-380	VALVE COIL BRACKET			1	US\$7.19
14	I300A-100	PIPE OUT GROMMET B			1	US\$28.76
15	I300A-080	PIPE OUT GROMMET A			1	US\$7.19
16	I213A-010	DRYER		Before Feb, 2018	1	US\$21.57
	I213A-040	DRYER	DML-033s / Danfoss	Since Feb, 2018	1	US\$43.14
17	I865A-010	CONDENSER		Before Feb, 2018	1	US\$445.75
	I865A-090	CONDENSER		Since Feb, 2018	1	US\$445.75
18	I325A-370	CONDENSER COVER			1	US\$43.14
19	R3723-070	FAN BLADE			1	US\$21.57
20	I731A-030	FAN MOTOR	AC 115V/60Hz, CCW DAI-8204DYCA-4		1	US\$129.41
21	I315A-260	FAN MOTOR BRACKET			1	US\$21.57
22	I858C-020	PARTITION		Before Feb, 2018	1	US\$431.37
	I858D-330	PARTITION		Since Feb, 2018	1	US\$323.53
23	I348A-590	EXPANSION SENSOR INSULATOR			1	US\$14.38
24	I315A-570	TANK WATER BRACKET A			1	US\$14.38
25	I713A-010	CAPACITOR CABLE		Newly applied as of Feb, 2018	1	US\$3.59
26	I732A-050	EVAPORATOR TEMP. SENSOR			1	US\$14.38

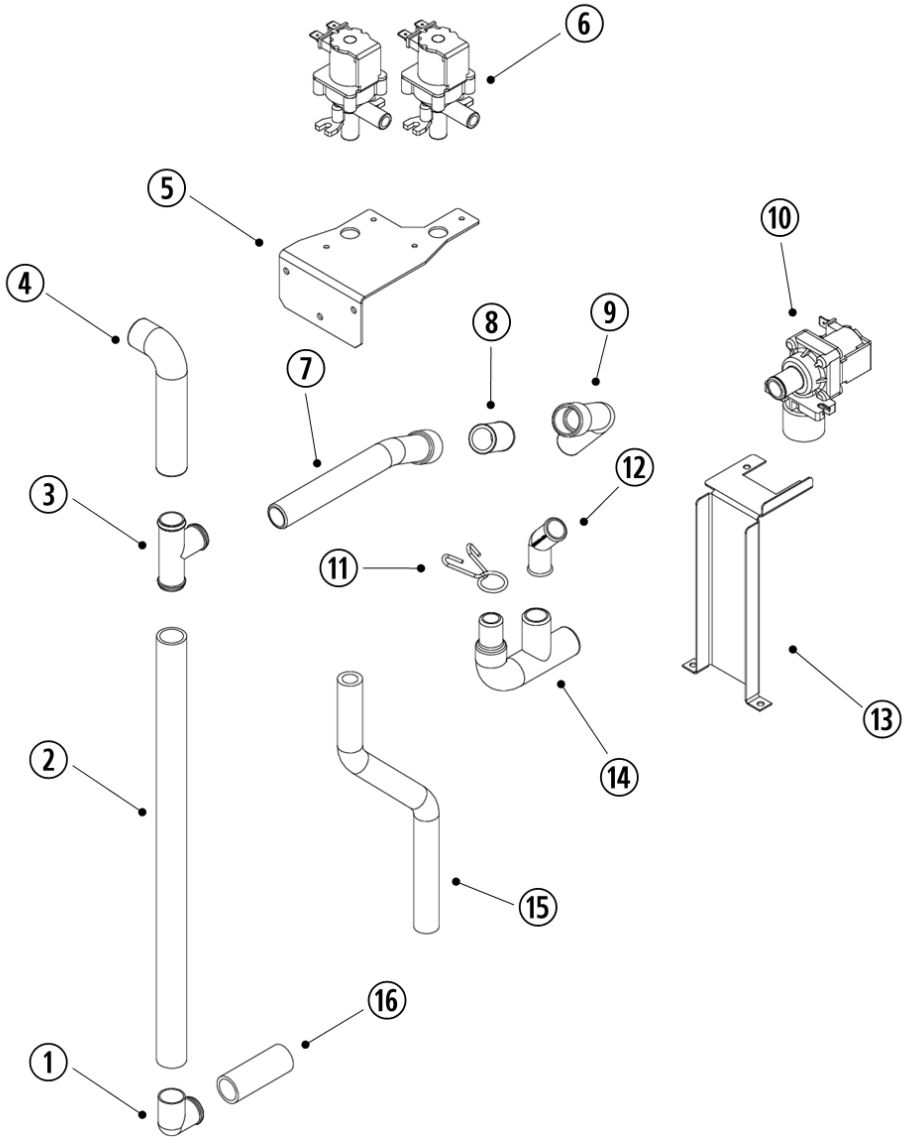
■ WATER CIRCUIT



■ WATER CIRCUIT

NO.	CODE-NO	PART NAME	SPEC	NOTE	REQUIRED QUANTITY	LIST PRICE
E	-	SPRAY & DRAIN HOSE ASSY			-	N/A
1	I395A-070	THUMB BOLT			2	US\$3.59
2	I319A-840	DRAIN PIPE			1	US\$21.57
3	I345A-161	OVERFLOW JOINT HOSE		Previous code: I345A-160	1	US\$3.59
4	I377A-020	WATER TANK			1	US\$64.71
5	I300A-060	WATER INLET GROMMET			2	US\$7.19
6	I345A-400	CLEANING HOSE			1	US\$43.14
7	I348A-610	CLEANING HOSE INSULATOR			1	US\$14.38
8	I858A-792	PUMP MOTOR	AC115V60Hz (DAI-6252DYEA-1)		1	US\$171.11
9	I315A-680	PUMP MOTOR COVER BRACKET			1	US\$2.16
10	I315A-660	PUMP MOTOR BRACKET			1	US\$1.84
11	I858A-811	WATER LEVEL SENSOR	ASSY		1	US\$35.95
12	I341A-080	ICE GUIDE MID			2	US\$7.19
13	I341A-020	ICE GUIDE			2	US\$3.63
14	I341A-070	SPRAY GUIDE			1	US\$15.41
15	I226A-080	SUPPLY TUBE			1	US\$21.57
16	I226A-090	SPRAY TUBE			1	US\$35.95
17	I369A-031	WATER INLET SEAL		Previous code: I369A-030	1	US\$3.59
18	I858B-080	WATER VALVE PIPE			1	US\$82.30

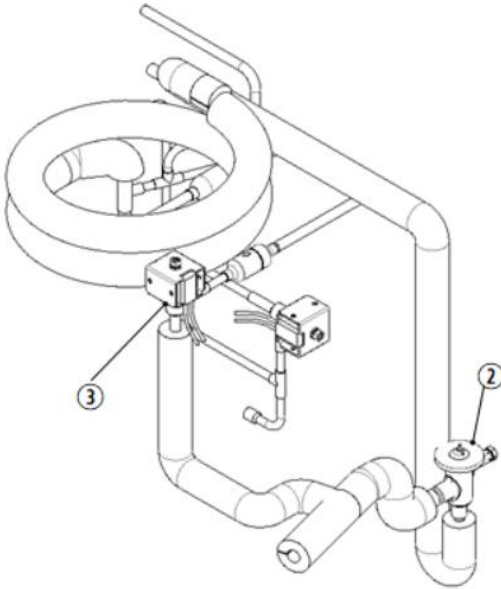
HOSE SPRAY & DRAIN



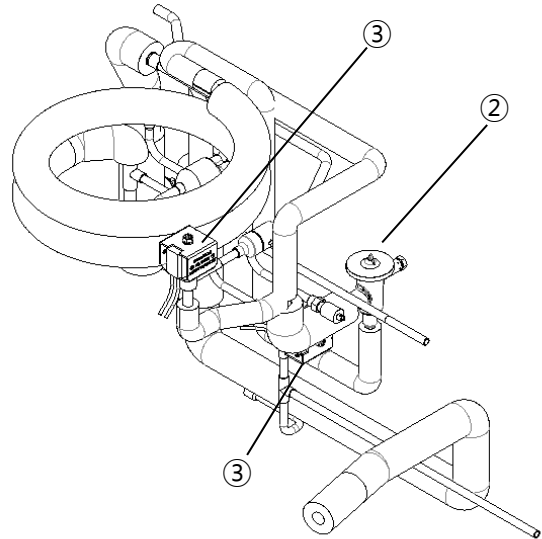
HOSE SPRAY & DRAIN

NO.	CODE-NO	PART NAME	SPEC	NOTE	REQUIRED QUANTITY	LIST PRICE
1	I307A-010	PUMP ELBOW			1	US\$1.82
2	I345A-311	PUMP TEE HOSE		Previous code: I345A-310	1	US\$21.57
3	I345A-120	TEE HOSE			1	US\$3.59
4	I345A-411	SPRAY INLET HOSE		Previous code: I345A-410	1	US\$14.38
5	I315A-250	CLEANING VALVE BRACKET			1	US\$7.19
6	I745A-010	DRAIN VALVE			2	US\$35.95
7	I345A-331	SUPPLY HOSE A		Previous code: I345A-330	1	US\$14.38
8	I386A-060	SUPPLY HOSE SOCKET			1	US\$3.59
9	I345A-371	SUPPLY HOSE B		Previous code: I345A-370	1	US\$14.38
10	I745A-050	WATER INLET VALVE	AC120V 50/60Hz		1	US\$28.76
11	I323A-070	HOSE CLAMP(19)	STS, OD19		1	US\$3.59
12	I307A-040	SPRAY TUBE ELBOW			1	US\$3.82
13	I315A-240	WATER VALVE BRACKET			1	US\$7.19
14	I345A-350	WATER INLET HOSE			1	US\$14.38
15	I331A-020	DRAIN OUT PIPE			1	US\$14.38
16	I345A-161	OVERFLOW JOINT HOSE		Previous code: I345A-160	1	US\$3.59

PIPE ASSY



I858D-050

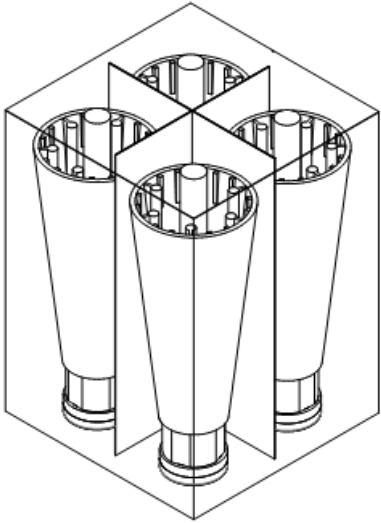


I858E-420

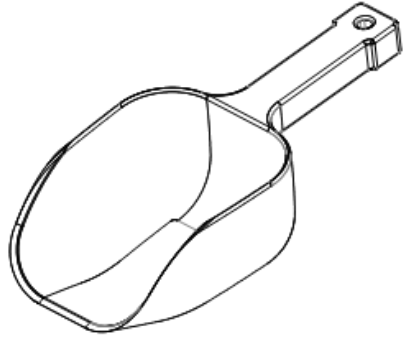
NO.	CODE-NO	PART NAME	SPEC	NOTE	REQUIRED QUANTITY	LIST PRICE
1	I858C-160	PIPE ASSY		Before Feb, 2018	1	US\$654.25
	I858D-050	PIPE ASSY		Since Feb, 2018 Before Nov, 2018	1	US\$927.45
	I858E-420	PIPE ASSY		Since Nov, 2018	1	US\$1,286.93
2	I745A-270	EXPANSION VALVE		Before Feb, 2018	1	US\$368.33
	I745A-370	EXPANSION VALVE		Since Feb, 2018	1	US\$373.86
3	I728A-010	VALVE COIL	AC 120V, 50/60Hz, 5/4, 5W	Before Feb, 2018	1	US\$71.90
				Since Feb, 2018 (Required quantity changed)	2	US\$71.90

ACCESSORIES

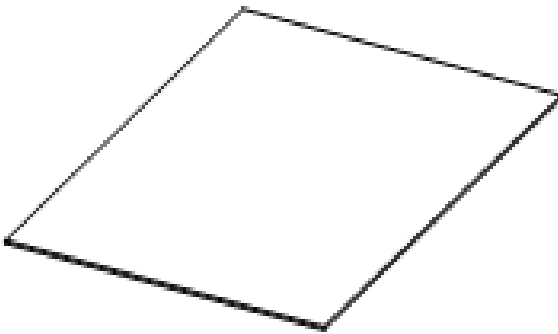
1



2



3



NO.	CODE-NO	PART NAME	SPEC	REQUIRED QUANTITY	LIST PRICE
1	I858B-300	LEGS	6" 4EA	1	US\$129.41
2	I309A-021	SCOOP		1	US\$14.38
3	I512A-022	USER MANUAL		1	US\$14.38