

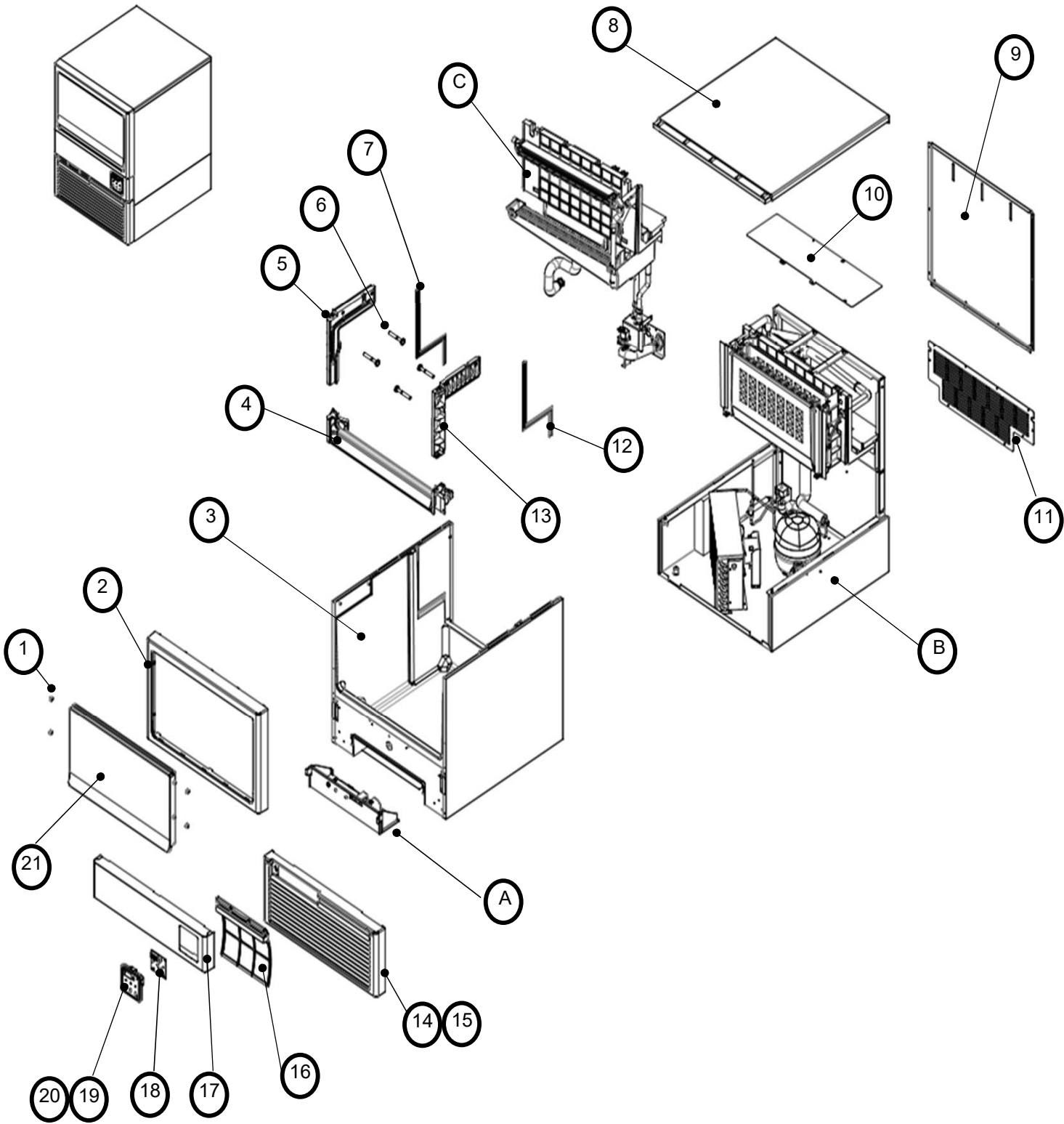
# BLUI-150A Ice Machine Exploded View



## ■ INDEX

- CABINET.....
- CONTROL BOX.....
- REFRIGERATION CIRCUIT.....
- WATER CIRCUIT.....
- HOSE SPRAY.....
- HOSE SUPPLY.....
- FITTING DRAIN.....
- ACCESSORIES.....

# CABINET



## CABINET

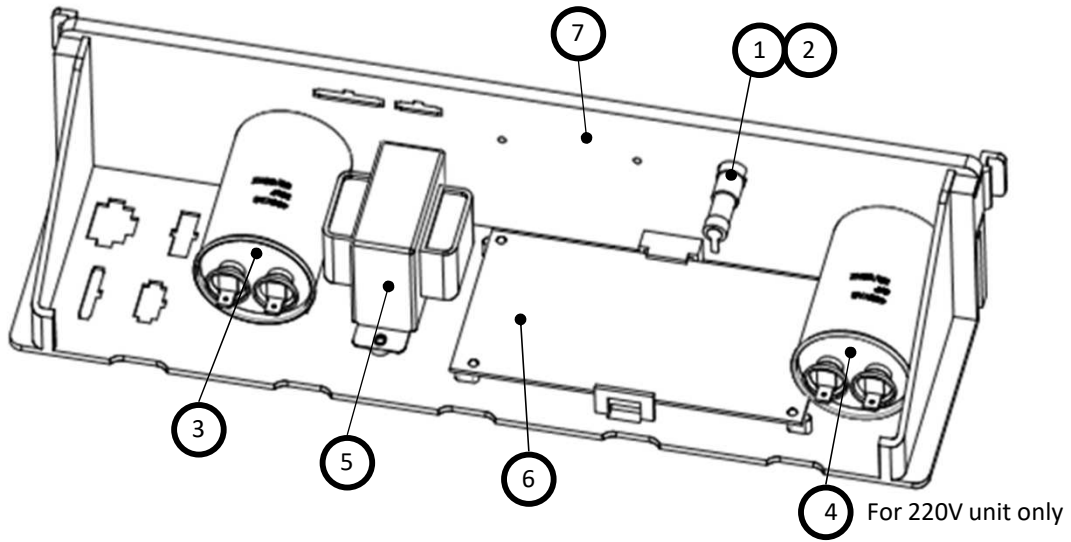
Parts highlighted in yellow are recommended parts.

Parts with a cut date are subject to the specified cut date.

Parts with a previous code are universally compatible.

NO.	CODE-NO	PART NAME	SPEC	NOTE	REQUIRED QUANTITY
A	I858H-600	CASE CONTROL ASSY		Previous code: I858A-380	1
B	-	REFRGERATION CIRCUIT			1
C	-	WATER CIRCUIT ASSY			1
1	I316A-020	DOOR BUSH			4
2	I325A-150	FRAME COVER			1
3	I827A-030	CABINET ASSY			1
4	I337A-010	FRONT FRAME			1
5	I364A-010	RAIL LF			1
6	Z394A-130	TAPPING SCREW	STS.TH-2 4*12		4
7	I338A-020	PARTITION GASKET LF			1
8	I858B-340	TOP COVER			1
9	I359A-030	REAR PLATE			1
10	I358A-040	TOP COVER PARTITION			1
11	I340A-030	REAR COVER			1
12	I338A-010	PARTITION GASKET RH			1
13	I364A-020	RAIL RH			1
14	I340A-010	BOTTOM GRILLE			1
15	I392A-050	GRILLE MAGNET			2
16	I334A-010	FILTER			1
17	I325A-100	FRONT COVER			1
18	I725B-890	DISPLAY PCB		Previous code: I725A-020	1
19	I325A-111	DISPLAY COVER			1
20	I511A-011	CONTROL INLAY			1
21	I330A-010	DOOR			1

# CONTROL BOX



NO.	CODE-NO	PART NAME	SPEC	NOTE	REQUIRED QUANTITY
1	I718A-020	FUSE HOLDER			1
2	I718A-030	FUSE	125V/15A		1
3	I739A-010	RUNNING CAPACITOR	Starting : cap 145MFD Run : 350VAC/20 $\mu$ F		1
5	R7504-060	POWER TRANSFORMER	INPUT: AC120V/60Hz. OUTPUT: 12.3V/1.35A		1
6	I725B-020	MAIN PCB		Previous code: I725A-690	1
7	I325A-020	CONTROL BOX COVER			1

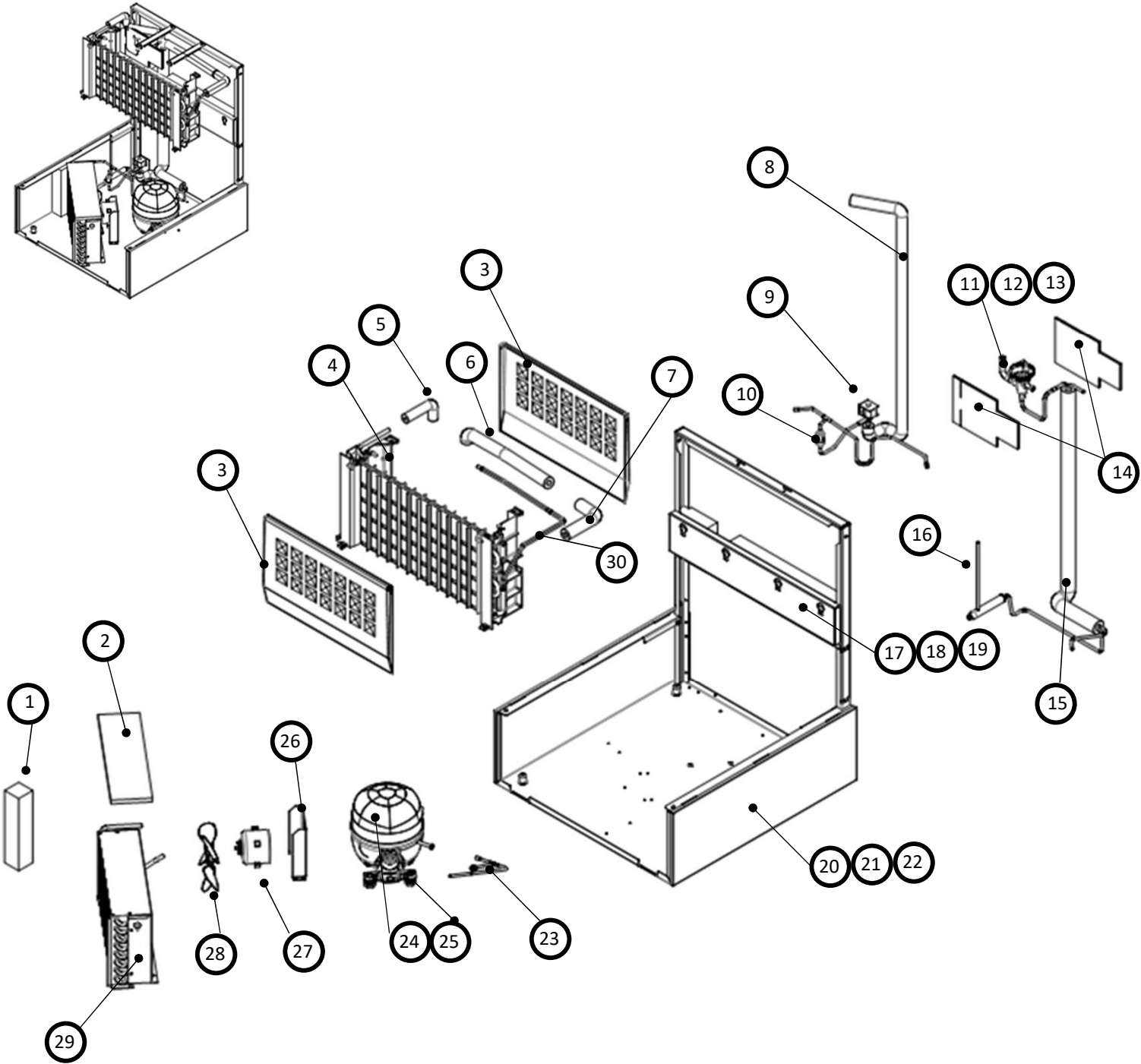
## PCB MODEL SETTING INSTRUCTION

- 1) Hold 'Check' button for 5 seconds (Display:P-1)
- 2) Hit 'Check' button 10 times (Display:P-6)
- 3) To change model name hit 'Power' or 'Wash' button

MODEL	DISPLAY
BLUI-100A	10A
BLUI-150A	15A

- 4) Hold 'Check' button for 5 seconds to apply

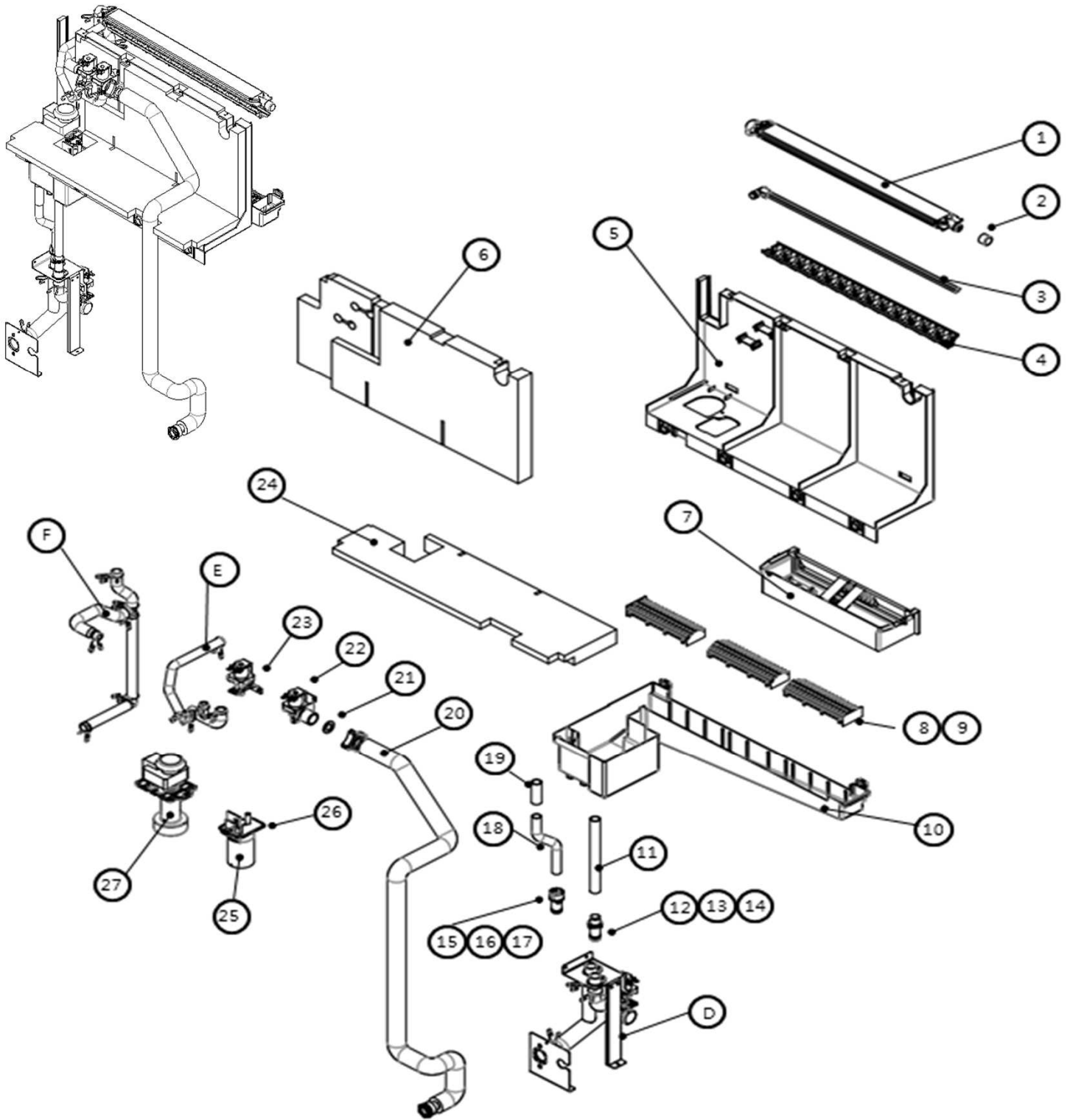
# REFRIGERATION CIRCUIT



# REFRIGERATION CIRCUIT

NO.	CODE-NO	PART NAME	SPEC	NOTE	REQUIRED QUANTITY
1	I118A-040	CONDENSER SIDE SPONGE			1
2	I118A-030	CONDENSER TOP SPONGE			1
3	I325A-081	EVAPORATOR COVER			2
4	I858H-290	EVAPORATOR		SINCE APR 2022	1
5	I348B-560	SUCTION PIPE INSULATOR		Previous code: I348A-241	1
6	I348A-261	EVAPORATOR OUTLET INSULATOR B			1
7	I348A-251	EVAPORATOR OUTLET INSULATOR A		Removed as of Dec 2019	1
8	I858A-410	HOT GAS DISCHARGE PIPE ASSY			1
9	I728A-010	VALVE COIL	AC 120V, 50/60Hz, 5/4, 5W		1
10	I221A-010	STRAINER			1
11	I745A-160	EXPANSION VALVE			1
12	I319A-710	EXPANSION OUTLET PIPE		Included in #15 I858B-571 Cannot be ordered separately	1
13	I319A-700	EXPANSION INLET PIPE			1
14	I348A-600	EXPANSION V/V INSULATOR		Previous code: I348A-270	2
15	I858B-571	EXPANSION V/V SUCTION PIPE			1
16	I213A-060	DRYER		Previous code: I213A-010	1
17	I376A-041	REAR SUPPORTER			1
18	I365A-011	PARTITION REINFORCE			1
19	I118A-080	PARTITION SPONGE A			1
20	I359A-041	BASE PLATE			1
21	I325A-090	BOTTOM SIDE COVER			2
22	R396A-010	INSERT NUT			4
23	I858B-401	CHARGING PIPE ASSY			1
24	I714A-030	COMPRESSOR	115V/60Hz R-134a HK6A1C2U		1
25	R300A-030	COMPRESSOR GROMMET			4
26	R315A-220	FAN MOTOR BRACKET			1
27	I731A-030	FAN MOTOR	AC 115V/60Hz, CCW		1
28	R333A-010	FAN BLADE			1
29	I858A-240	CONDENSER			1
30	I732A-031	EVAPORATOR TEMP. SENSOR			1

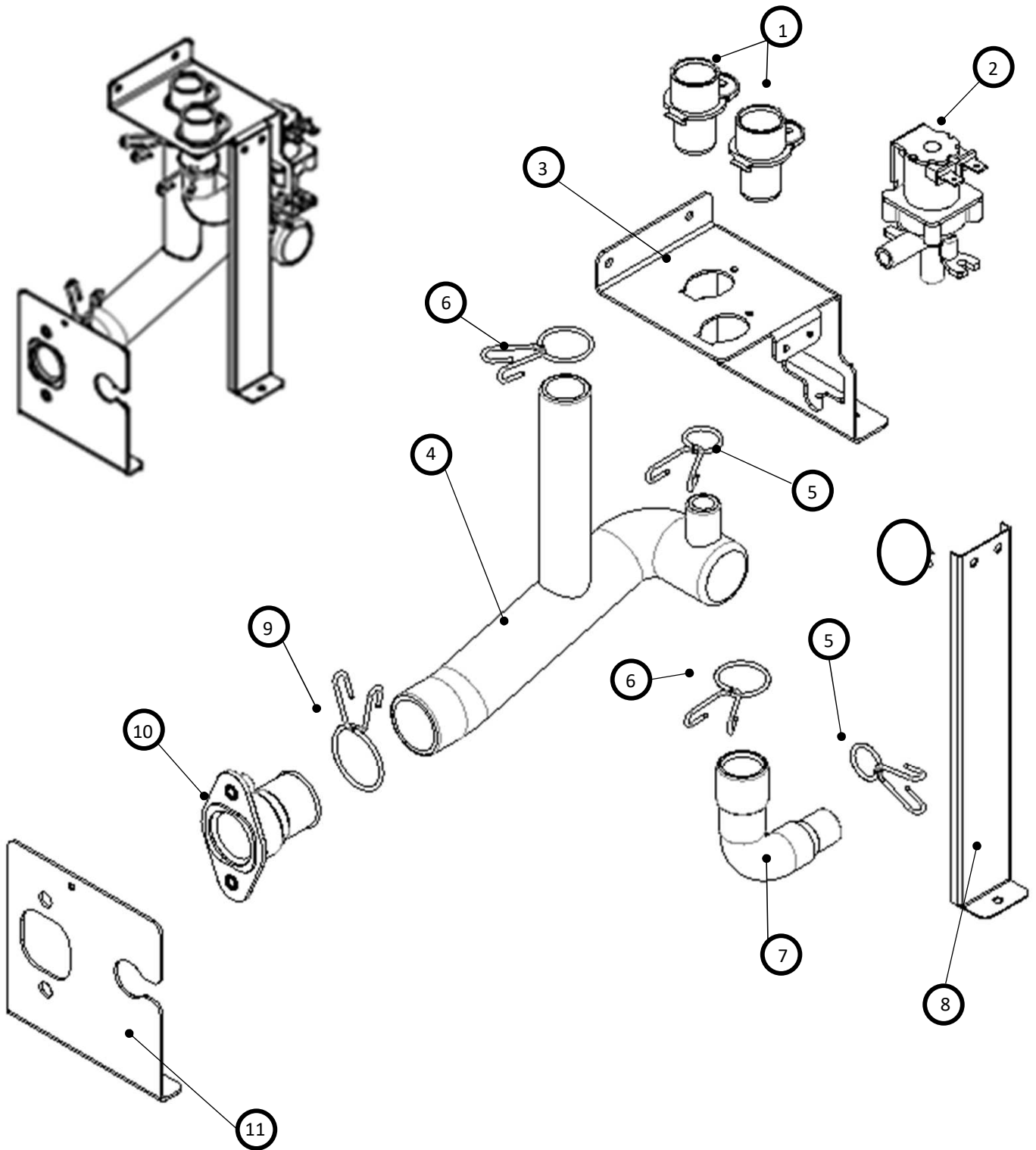
# WATER CIRCUIT



# WATER CIRCUIT

NO.	CODE-NO	PART NAME	SPEC	NOTE	REQUIRED QUANTITY
D	I858A-250	DRAIN FITTING ASSY			1
E	I858B-370	SUPPLY HOSE ASSY			1
F	I858B-360	SPRAY HOSE ASSY			1
1	I226A-011	SPRAY TUBE			1
2	I320A-101	TUBE CAP			1
3	I226A-020	SUPPLY TUBE			1
4	I341A-320	SPRAY GUIDE			1
5	I358A-010	PARTITION			1
6	I348A-210	PARTITON INSULATOR A			1
7	I858A-140	BIN SWITCH			1
8	I341A-020	ICE GUIDE			2
9	I341A-030	ICE GUIDE MID			1
10	I377A-010	WATER TANK			1
11	I345A-171	DRAIN JOINT HOSE			1
12	I386A-040	DRAIN SOCKET			1
13	I369A-040	SEAL 22	SILOCONE, ID21.8		1
14	I369A-050	SEAL 15	SILOCONE, ID14.8		2
15	I386A-050	OVERFLOW SOCKET			1
16	I369A-040	SEAL 22	SILOCONE. ID21.8		1
17	I369A-050	SEAL 15	SILOCONE. I.D14.8		1
18	I319A-090	OVERFLOW PIPE			1
19	I345A-161	OVERFLOW JOINT HOSE			1
20	I858A-300	WATER INLET PIPE			1
21	<a href="#">I369A-031</a>	WATER INLET SEAL			1
22	<a href="#">I745A-040</a>	WATER INLET VALVE	AC120V 50/60HZ		1
23	<a href="#">I745A-010</a>	DRAIN VALVE	DC 12V		1
24	I348A-220	PARTITION INSULATOR B			1
25	I858A-321	WATER LEVEL SENSOR			1
26	I325A-130	LEVEL SENSOR COVER			1
27	<a href="#">I858A-101</a>	PUMP MOTOR			1

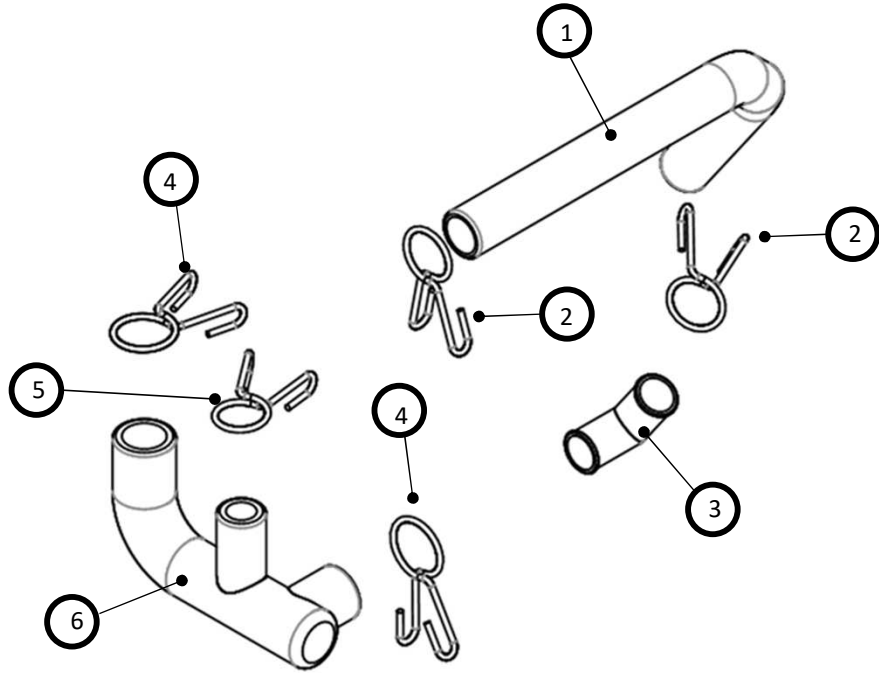
# HOSE SPRAY



# HOSE SPRAY

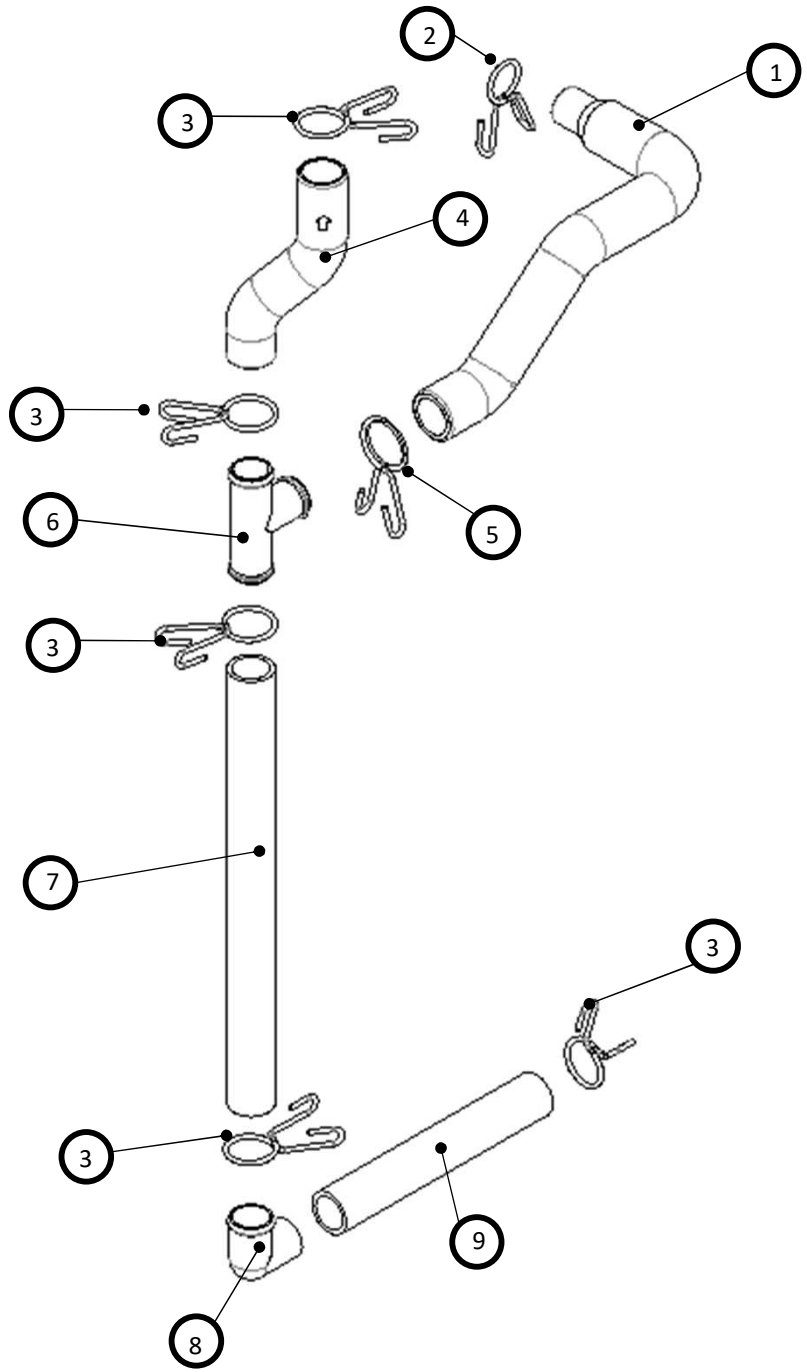
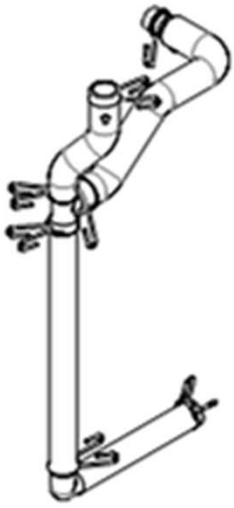
NO.	CODE-NO	PART NAME	SPEC	NOTE	REQUIRED QUANTITY
1	I222A-060	DRAIN FITTING			2
2	I745A-010	DRAIN VALVE			1
3	I315A-050	FITTING BRACKET			1
4	I345A-920	DRAIN OUTLET HOSE			1
5	I323A-070	HOSE CLAMP(19)	STS. OD19		2
6	I323A-040	HOSE CLAMP(26)	STS. OD26		2
7	I345A-080	DRAIN INLET HOSE			1
8	I315A-400	FITTING BRACKET A			1
9	I323A-050	HOSE CLAMP(34)	STS. OD34		1
10	I222A-010	OUTLET FITTING			1
11	I315A-090	WATER OUTLET BRACKET			1

# HOSE SUPPLY



NO.	CODE-NO	PART NAME	SPEC	NOTE	REQUIRED QUANTITY
1	I345A-101	SUPPLY HOSE			1
2	I323A-010	HOSE CLAMP(20)	STS. OD20		2
3	I307A-020	SPRAY TUBE ELBOW			1
4	I323A-020	HOSE CLAMP(22)	STS. OD22		2
5	I323A-070	HOSE CLAMP(19)	STS. OD19		1
6	I345A-090	WATER OUTLET HOSE			1

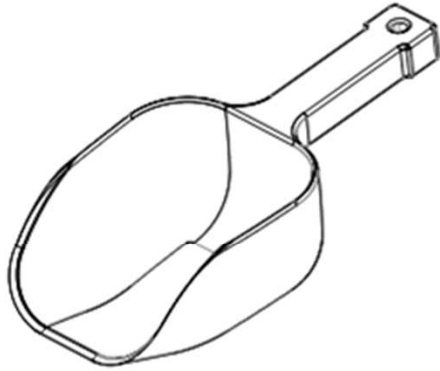
# ■ DRAIN FITTING



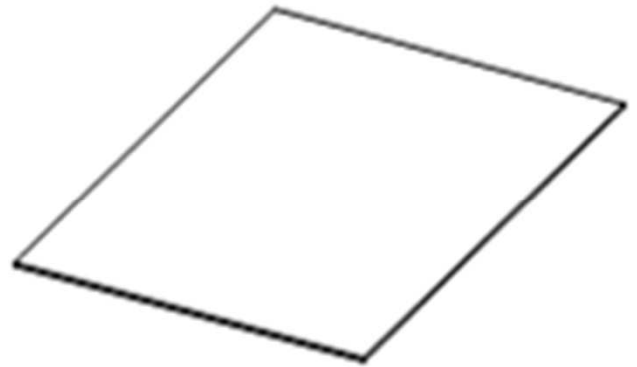
NO.	CODE-NO	PART NAME	SPEC	NOTE	REQUIRED QUANTITY
1	I345A-111	CLEANING HOSE			1
2	I323A-070	HOSE CLAMP(19)	STS. OD19		1
3	I323A-020	HOSE CLAMP(22)	STS. OD22		5
4	I345A-131	SPRAY INLET HOSE			1
5	I323A-030	HOSE CLAMP(24)	STS. OD24		1
6	I345A-120	TEE HOSE			1
7	I345A-141	PUMP TEE HOSE			1
8	I307A-010	PUMP ELBOW			1
9	I345A-151	PUMP OUTLET HOSE			1

# ACCESSORIES

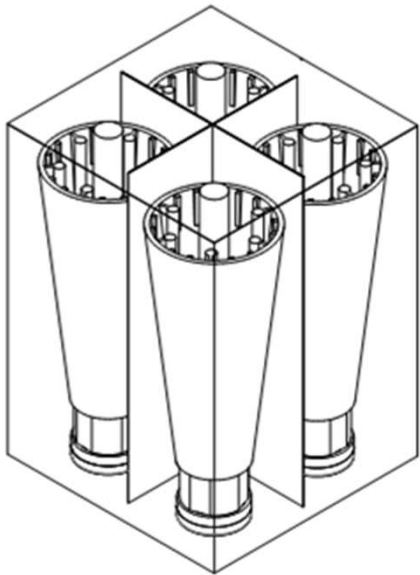
1



2



3



NO.	CODE-NO	PART NAME	SPEC	NOTE	REQUIRED QUANTITY
1	I309A-021	SCOOP			1
2	I512A-224	MANUAL		Previous Code: I512A-223	1
3	I858B-300	LEGS	6" 4EA		1