

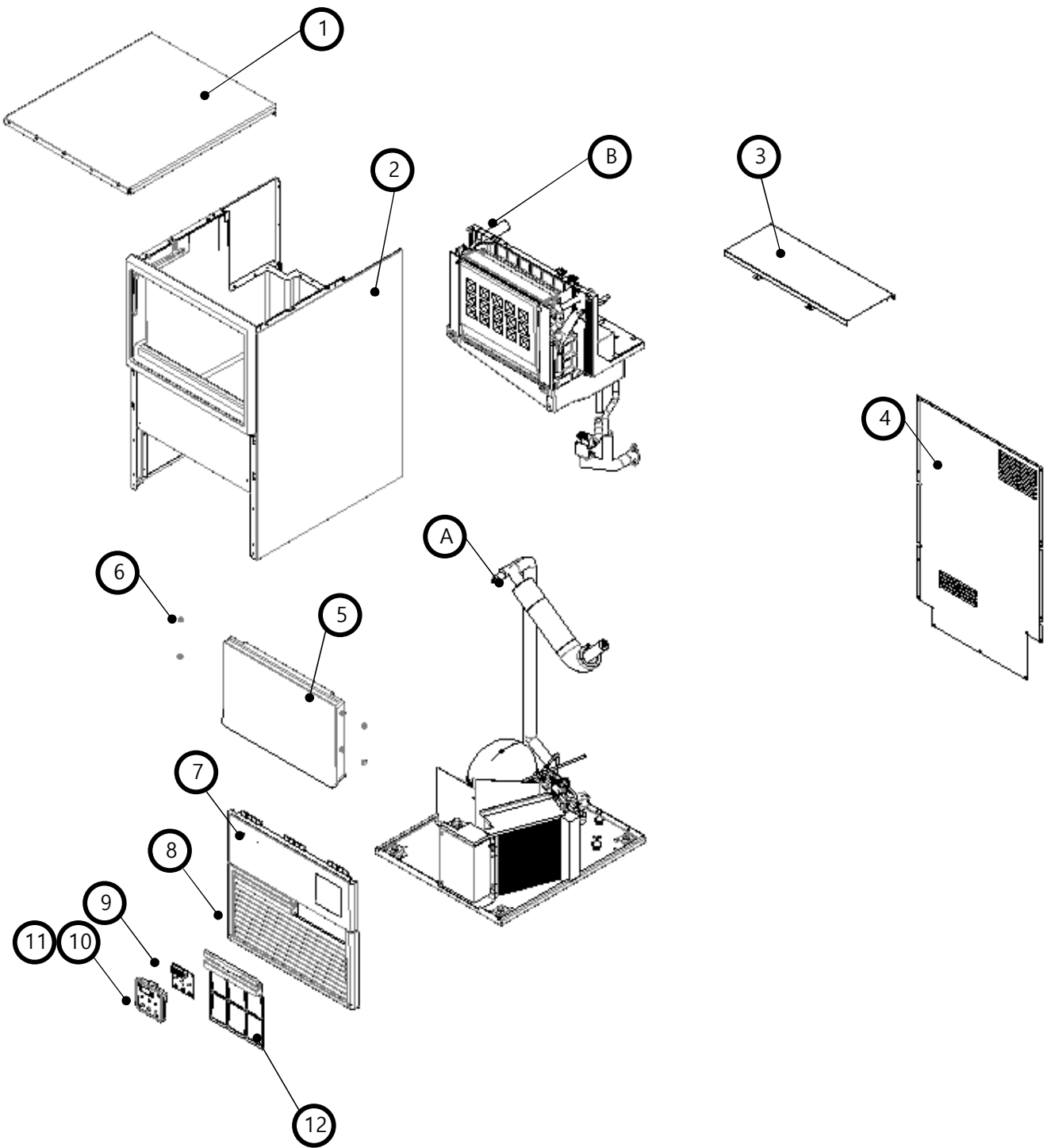
# BLUI-100A Ice Machine Exploded View



# ■ INDEX

- CABINET.....
- REFRIGERATION CIRCUIT.....
- WATER CIRCUIT.....
- CONTROL BOX.....
- HOSE SPRAY.....
- HOSE SUPPLY.....
- ACCESSORIES.....

# CABINET



# ■ CABINET

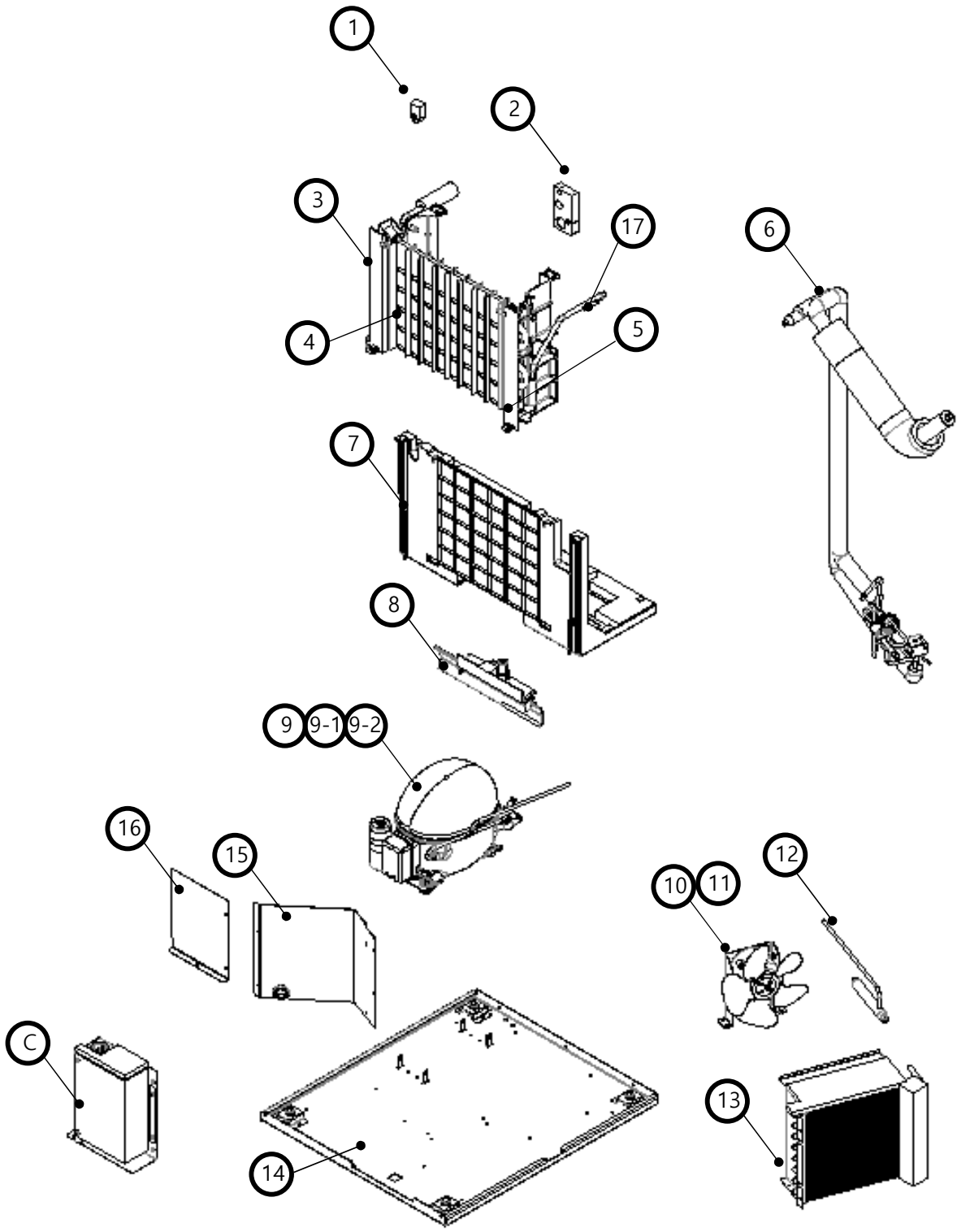
**Parts highlighted in yellow** are recommended parts.

**Parts with a cut date** are subject to the specified cut date.

**Parts with a previous code** are universally compatible.

NO.	CODE-NO	PART NAME	SPEC	NOTE	REQUIRED QUANTITY
A	-	REFRGERATION CIRCUIT			1
B	-	WATER CIRCUIT ASSY			1
1	I325A-921	TOP COVER			1
2	I859A-120	CABINET ASSY			1
3	I325A-930	REAR COVER			1
4	I325B-052	REAR COVER LOW			1
5	I858D-270	DOOR			1
6	I316A-020	DOOR BUSH			4
7	I325B-570	FRONT COVER			1
8	I340A-060	BOTTOM GRILLE			1
9	I725B-890	DISPLAY PCB		Previous Code: I725A-020	1
10	I325A-111	DISPLAY COVER			1
11	I511A-011	CONTROL INLAY			1
12	I334A-130	FILTER			1

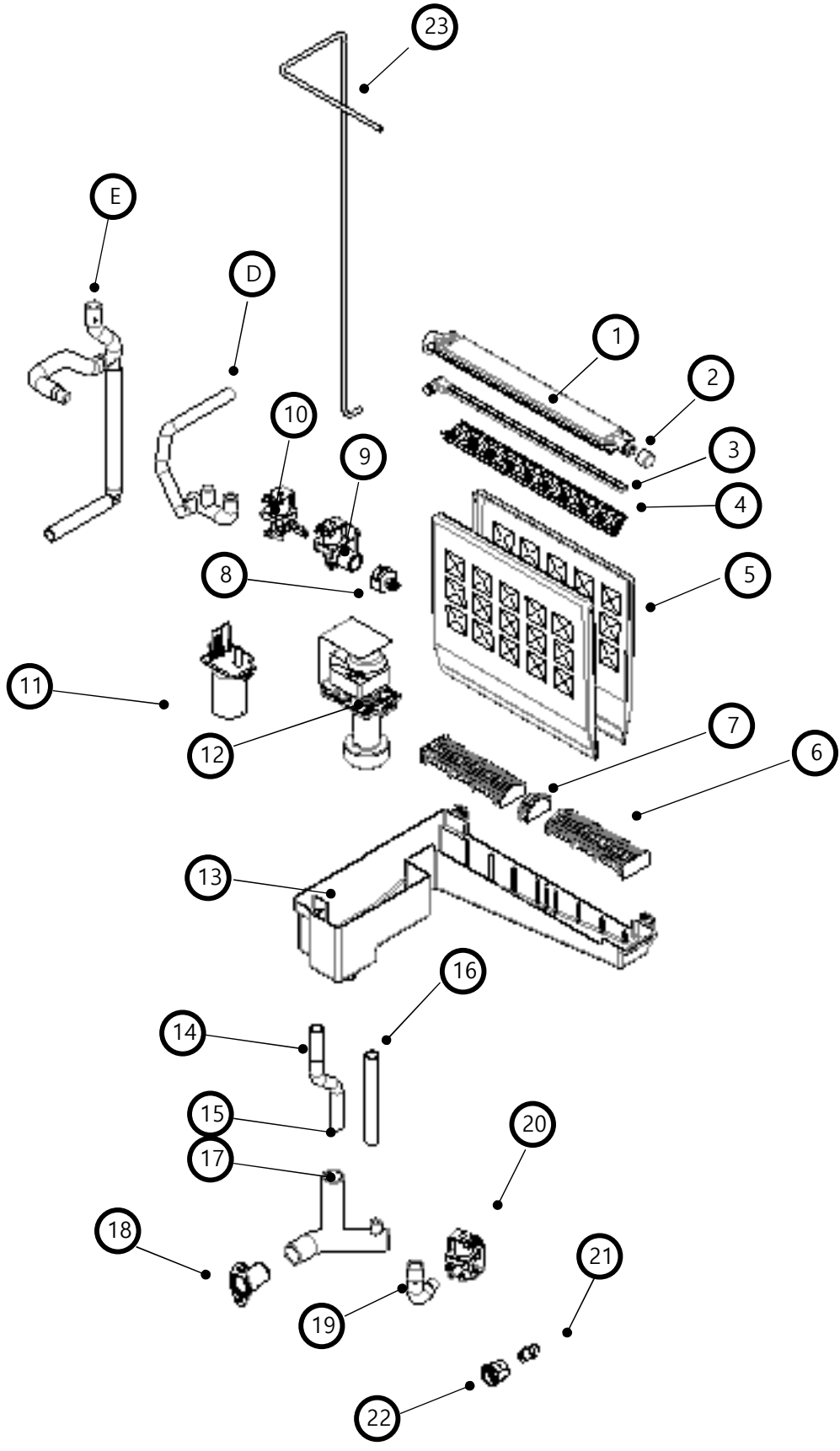
# REFRIGERATION CIRCUIT



# REFRIGERATION CIRCUIT

NO.	CODE-NO	PART NAME	SPEC	NOTE	REQUIRED QUANTITY
C	-	CONTROL BOX ASSY			1
1	I300A-010	PIPE INLET GROMMET			1
2	I300A-020	PIPE OUTLET GROMMET			1
3	I315A-010	EVAPORATOR BRACKET LF			1
4	I858G-750	EVAPORATOR		SINCE APR 2022	1
5	I315A-020	EVAPORATOR BRACKET RH			1
6	I858F-500	PIPE ASSY			1
7	I358A-120	PARTITION			1
8	I858D-060	BIN SWITCH			1
9	I858E-900	COMPRESSOR	NF7.3FX.2 115V-60HZ 1PH		1
9-1	I739A-330	STARTING CAPACITOR	280 $\mu$ F		1
9-2	I730A-160	STARTING RELAY	NF7.3FX.2 117U4061		1
10	I731A-030	FAN MOTOR			1
11	R333A-010	FAN BLADE			1
12	I213A-050	DRYER			1
13	I865A-120	CONDENSER			1
14	I858F-510	BASE PLATE			1
15	I359B-150	BARRIER PLATE SIDE		Removed since JUN 2023	-
16	I359A-760	BARRIER PLATE FRONT		Removed since JUN 2023	-
17	I732A-031	EVAPORATOR TEMP. SENSOR			1

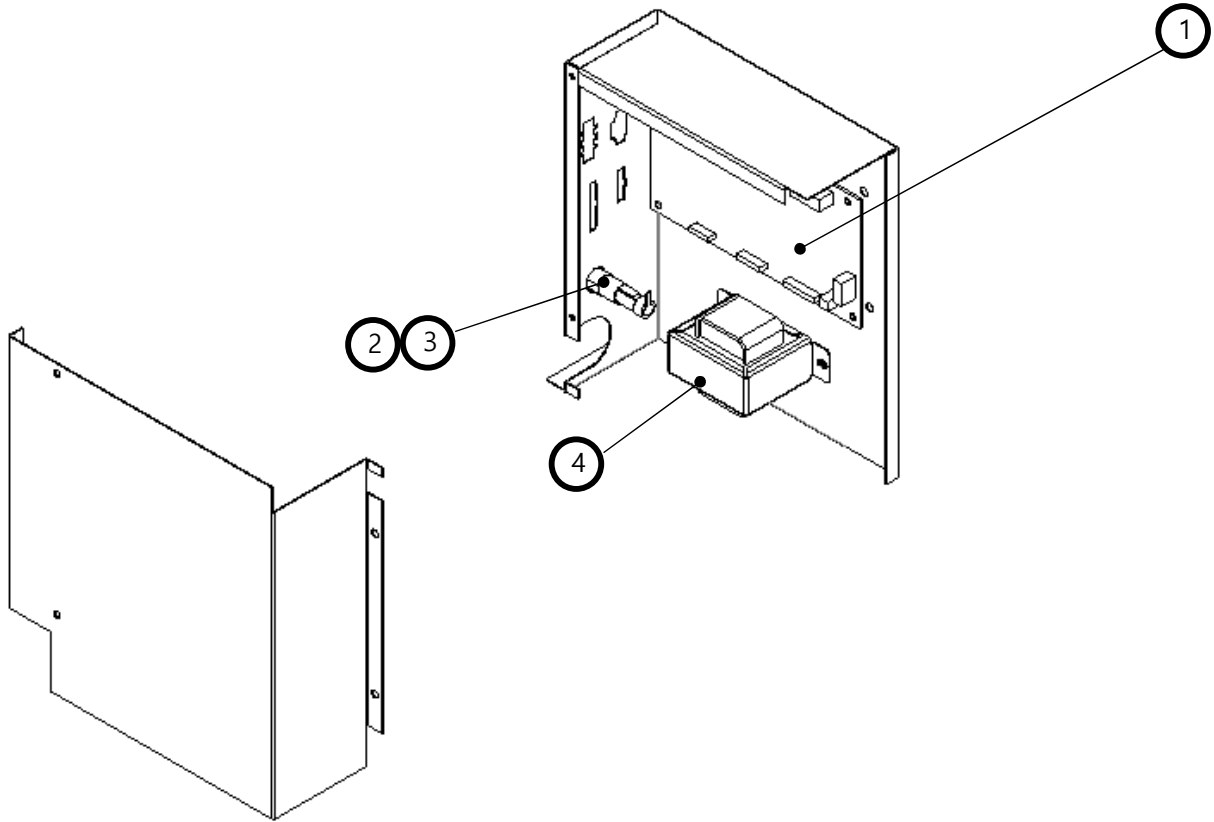
# WATER CIRCUIT



# WATER CIRCUIT

NO.	CODE-NO	PART NAME	SPEC	NOTE	REQUIRED QUANTITY
D	-	HOSE SPRAY ASSY			1
E	-	HOSE SUPPLY ASSY			1
1	I226A-141	SPRAY TUBE			1
2	I320A-101	TUBE CAP			1
3	I226A-130	SUPPLY TUBE			1
4	I341A-310	SPRAY GUIDE		SINCE APR 2022	1
5	I325A-871	EVAPORATOR COVER			2
6	I341A-020	ICE GUIDE			2
7	I341A-130	ICE GUIDE			1
8	I715A-050	VALVE CONNECTOR			1
9	<a href="#">I745A-040</a>	WATER INLET VALVE	DVI-KDIM1 AC120V 50/60HZ		1
9-1	I315B-161	WATER VALVE BRACKET			1
10	<a href="#">I745A-010</a>	DRAIN VALVE	DVI-KDIM2 DC 12V		1
11	I858D-911	WATER LEVEL SENSOR			1
12	<a href="#">I858A-101</a>	PUMP MOTOR			1
13	I377A-030	WATER TANK			1
14	I345A-161	OVERFLOW JOINT HOSE			1
15	I319A-090	OVERFLOW PIPE			1
16	I345A-470	DRAIN JOINT HOSE			1
17	I345A-720	DRAIN OUTLET HOSE			1
18	I222A-010	OUTLET FITTING			1
19	I345A-510	DRAIN INLET HOSE			1
20	<a href="#">I745A-010</a>	DRAIN VALVE	DVI-KDIM2 DC 12V		1
21	I715A-060	INLET FITTING CONNECTOR			1
22	I222A-140	INLET FITTING			1
23	I345A-490	WATER HOSE	¼", 950mm		1

# CONTROL BOX



NO.	CODE-NO	PART NAME	SPEC	NOTE	REQUIRED QUANTITY
1	I725B-010	MAIN PCB		Previous Code: I725A-430	1
2	I749A-020	FUSE HOLDER	R3-9M/250V 15A		1
3	I718A-030	FUSE	125V 15A		1
4	R7504-060	POWER TRANSFORMER	120V/60HZ, DT-1213		1

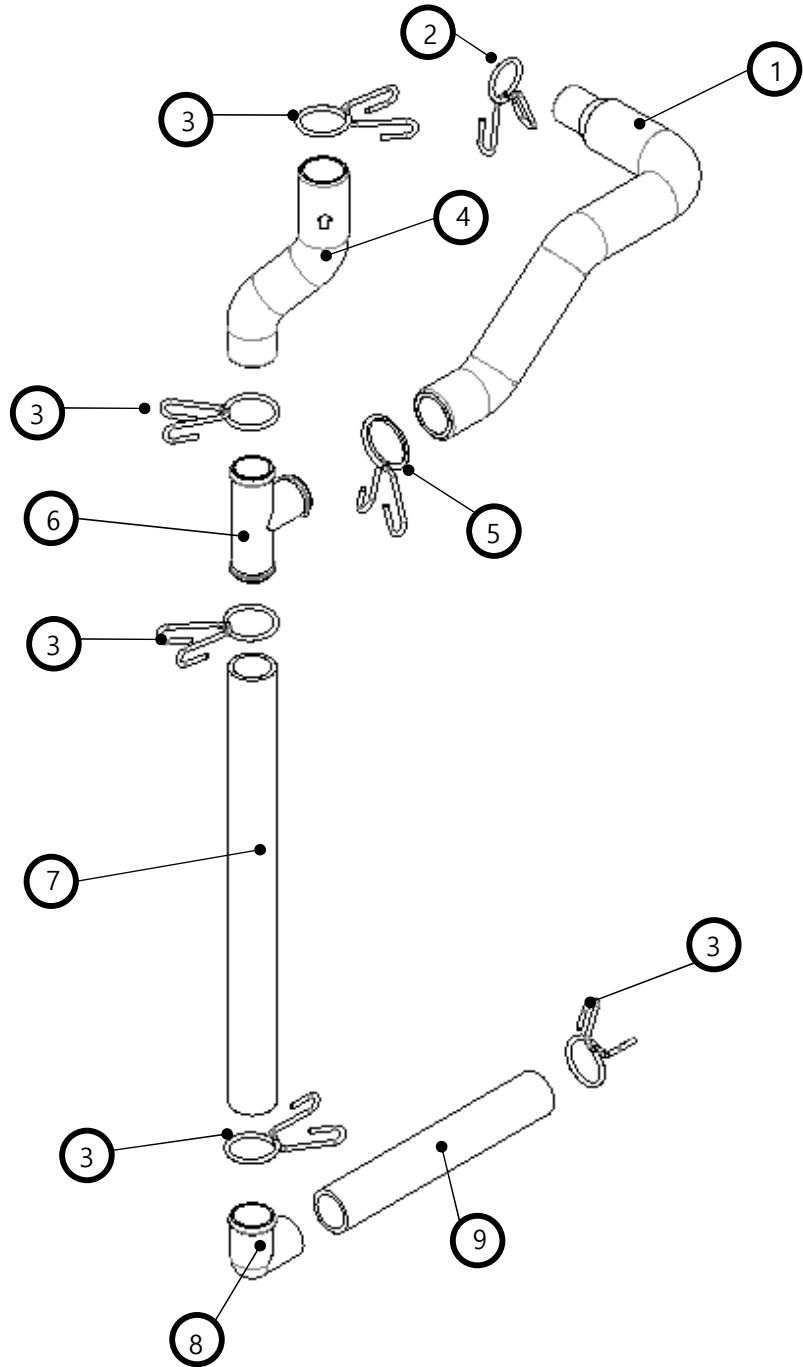
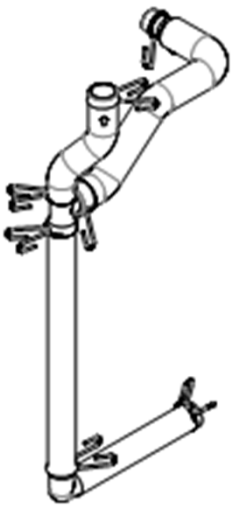
## PCB MODEL SETTING INSTRUCTION

- 1) Hold 'Check' button for 5 seconds (Display:P-1)
- 2) Hit 'Check' button 10 times (Display:P-6)
- 3) To change model name hit 'Power' or 'Wash' button

MODEL	DISPLAY
BLUI-100A	10A
BLUI-150A	15A

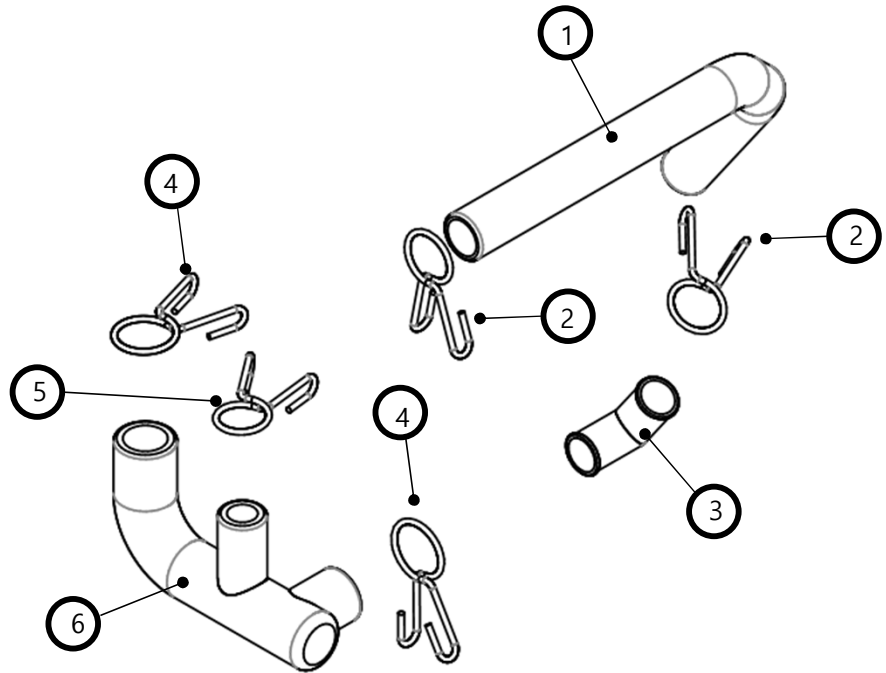
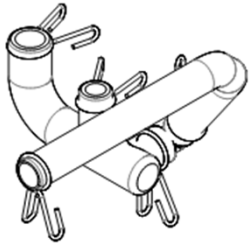
- 4) Hold 'Check' button for 5 seconds to apply

# HOSE SPRAY



NO.	CODE-NO	PART NAME	SPEC	NOTE	REQUIRED QUANTITY
1	I345A-111	CLEANING HOSE			1
2	I323A-070	HOSE CLAMP(19)	STS. OD19		1
3	I323A-020	HOSE CLAMP(22)	STS. OD22		5
4	I345A-131	SPRAY INLET HOSE			1
5	I323A-030	HOSE CLAMP (24)	STS. OD24		1
6	I345A-120	TEE HOSE			1
7	I345A-141	PUMP TEE HOSE			1
8	I307A-010	PUMP ELBOW			1
9	I345A-151	PUMP OUTLET HOSE			1

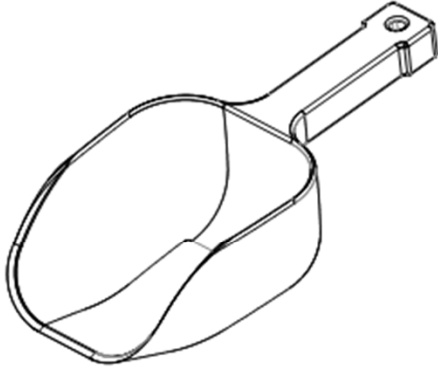
# HOSE SUPPLY



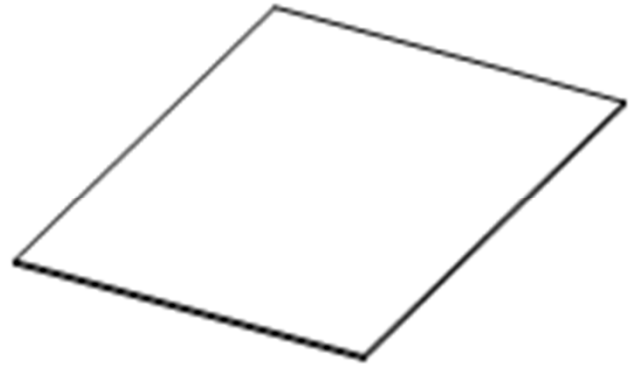
NO.	CODE-NO	PART NAME	SPEC	NOTE	REQUIRED QUANTITY
1	I345A-101	SUPPLY HOSE			1
2	I323A-010	HOSE CLAMP(20)	STS. OD20		2
3	I307A-020	SPRAY TUBE ELBOW			1
4	I323A-020	HOSE CLAMP(22)	STS. OD22		2
5	I323A-070	HOSE CLAMP(19)	STS. OD19		1
6	I345A-090	WATER OUTLET HOSE			1

# ACCESSORIES

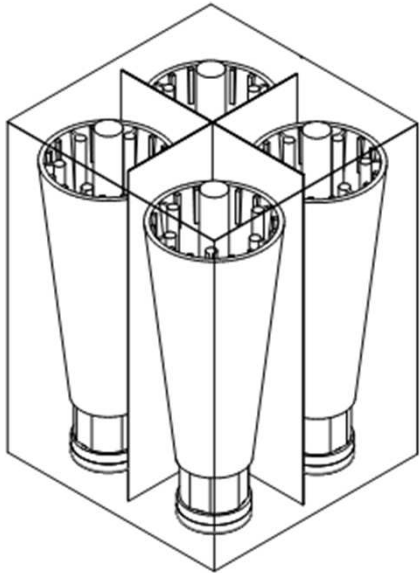
1



2



3



NO.	CODE-NO	PART NAME	SPEC	NOTE	REQUIRED QUANTITY
1	I309A-021	SCOOP			1
2	I512A-224	MANUAL		Previous Code: I512A-223	1
3	I858B-300	LEGS	6" 4EA		1