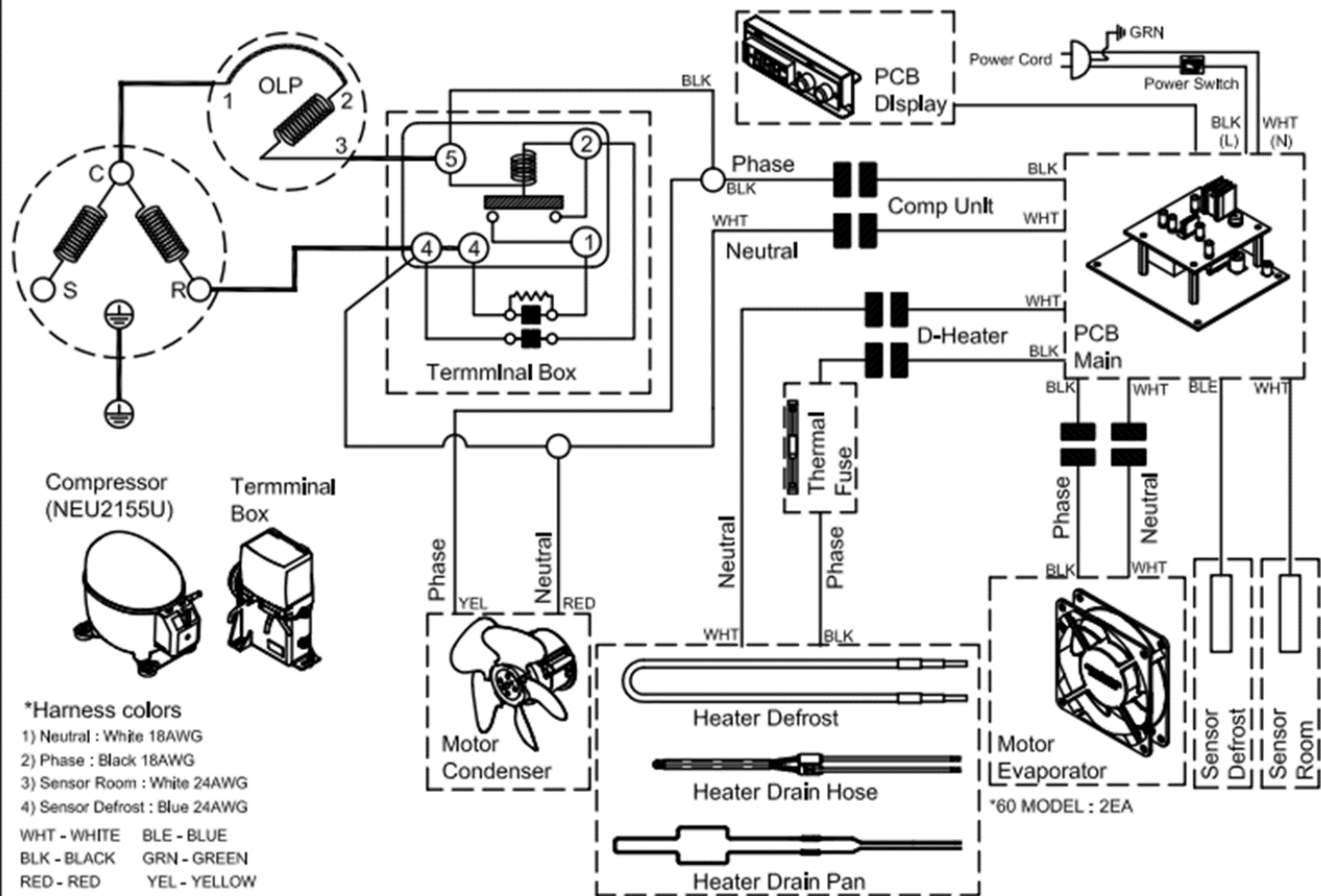


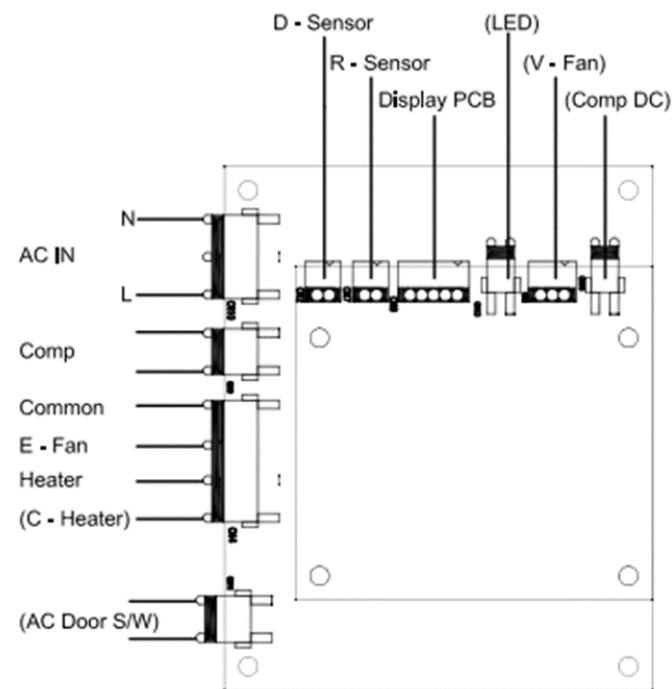
CIRCUIT DIAGRAM



(115V/60Hz)

*60F-HC

PCB LAYOUT



R510D-850