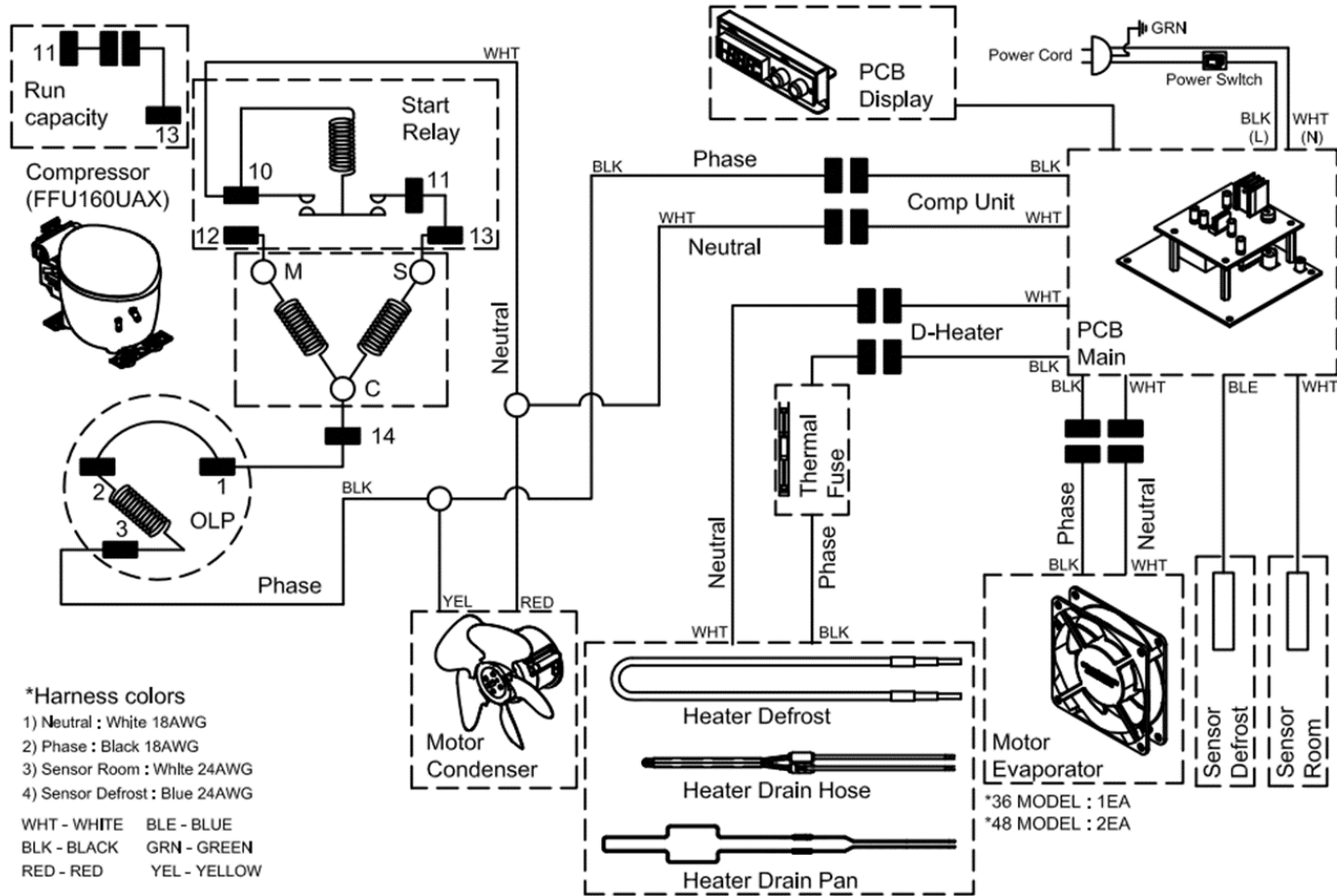


CIRCUIT DIAGRAM



***Harness colors**

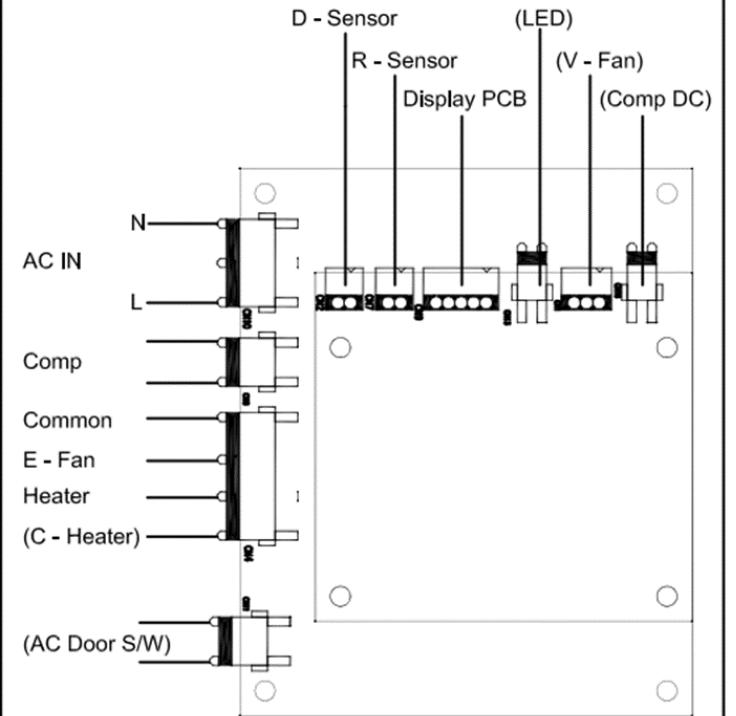
- 1) Neutral : White 18AWG
- 2) Phase : Black 18AWG
- 3) Sensor Room : White 24AWG
- 4) Sensor Defrost : Blue 24AWG

- WHT - WHITE BLE - BLUE
- BLK - BLACK GRN - GREEN
- RED - RED YEL - YELLOW

(115V/60Hz)

*36F,48F-HC

PCB LAYOUT



R510D-840