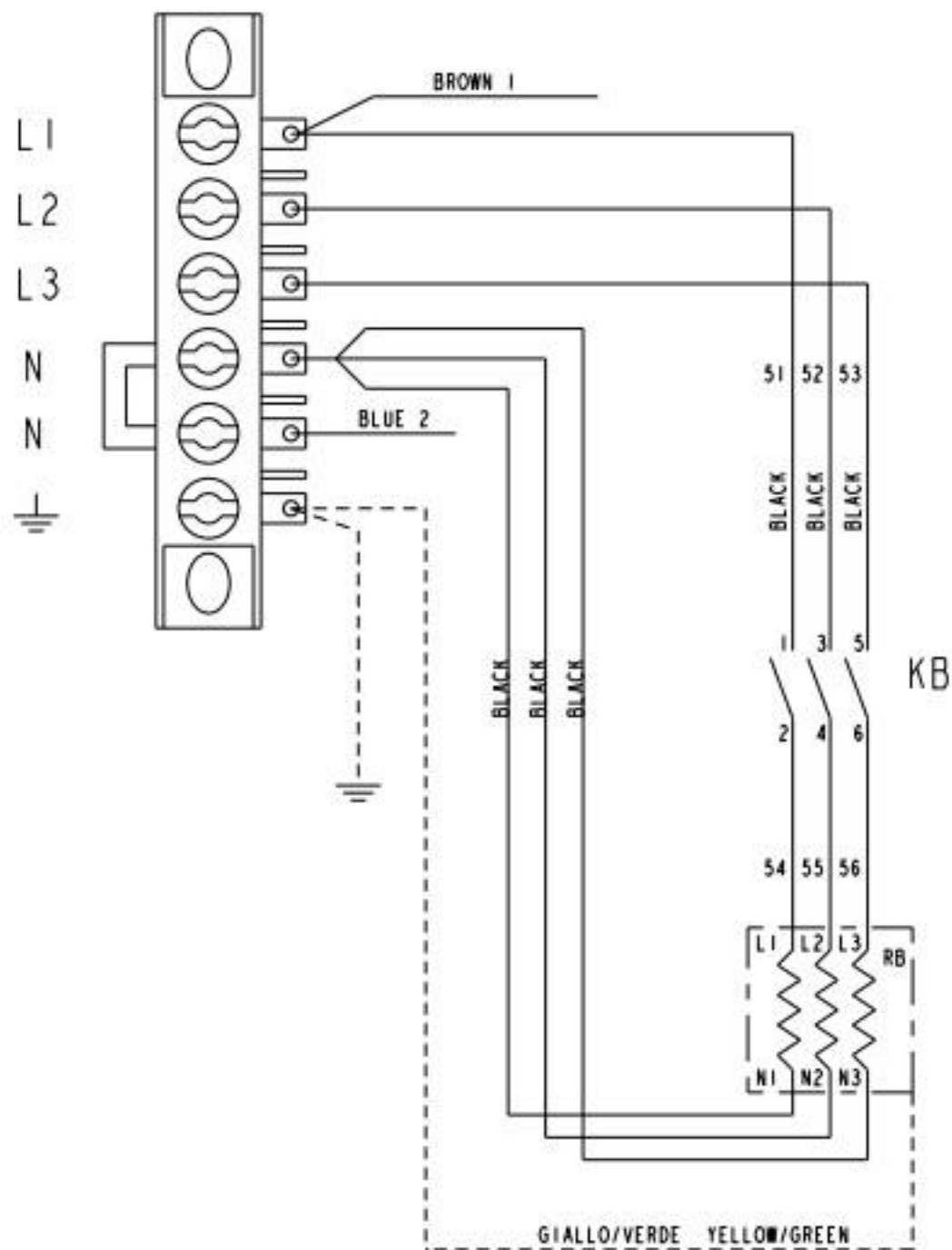


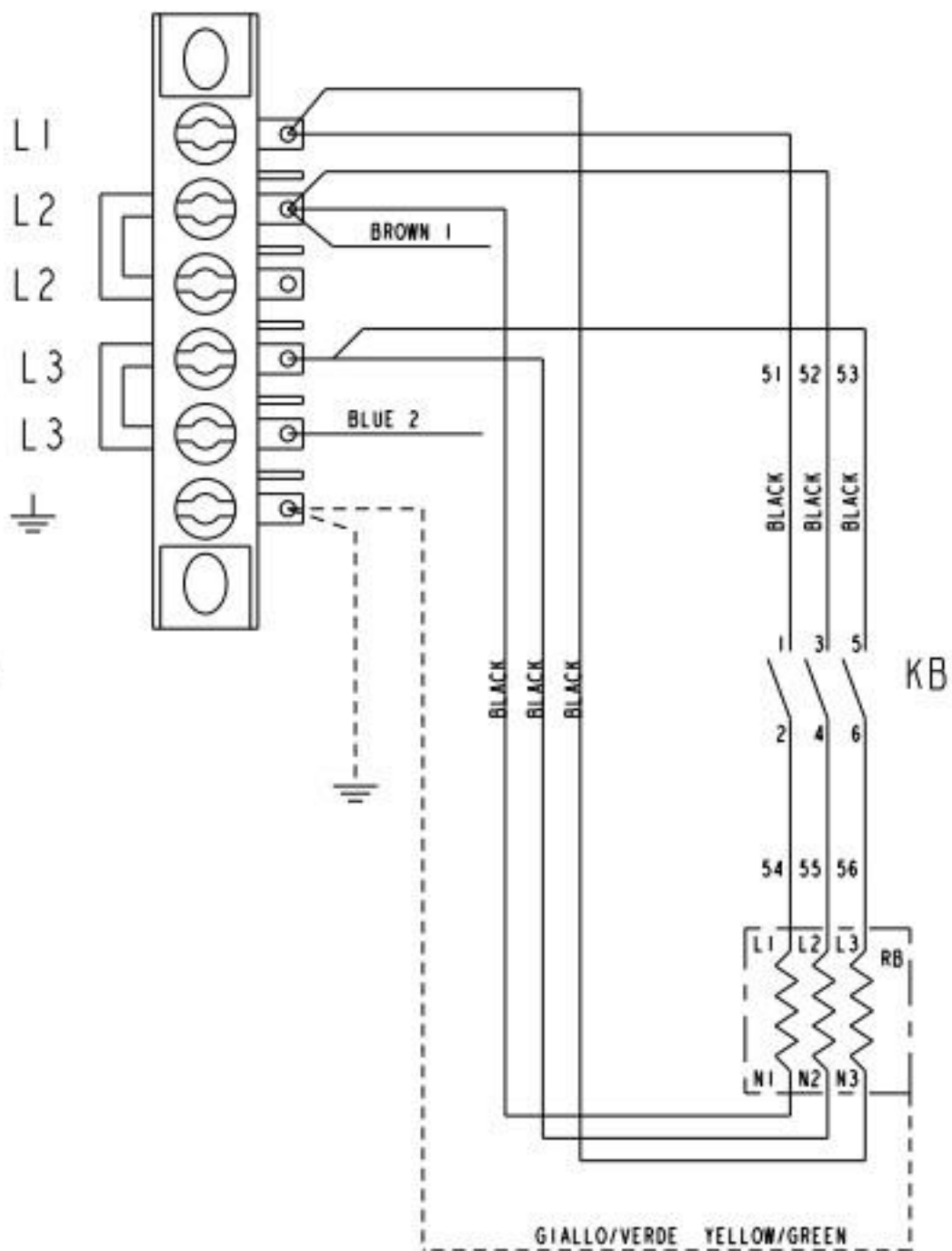


RB=6000/4500W  
MAIN CABLE 5X1.2mm<sup>2</sup>



400-415 3P+N 50/60HZ

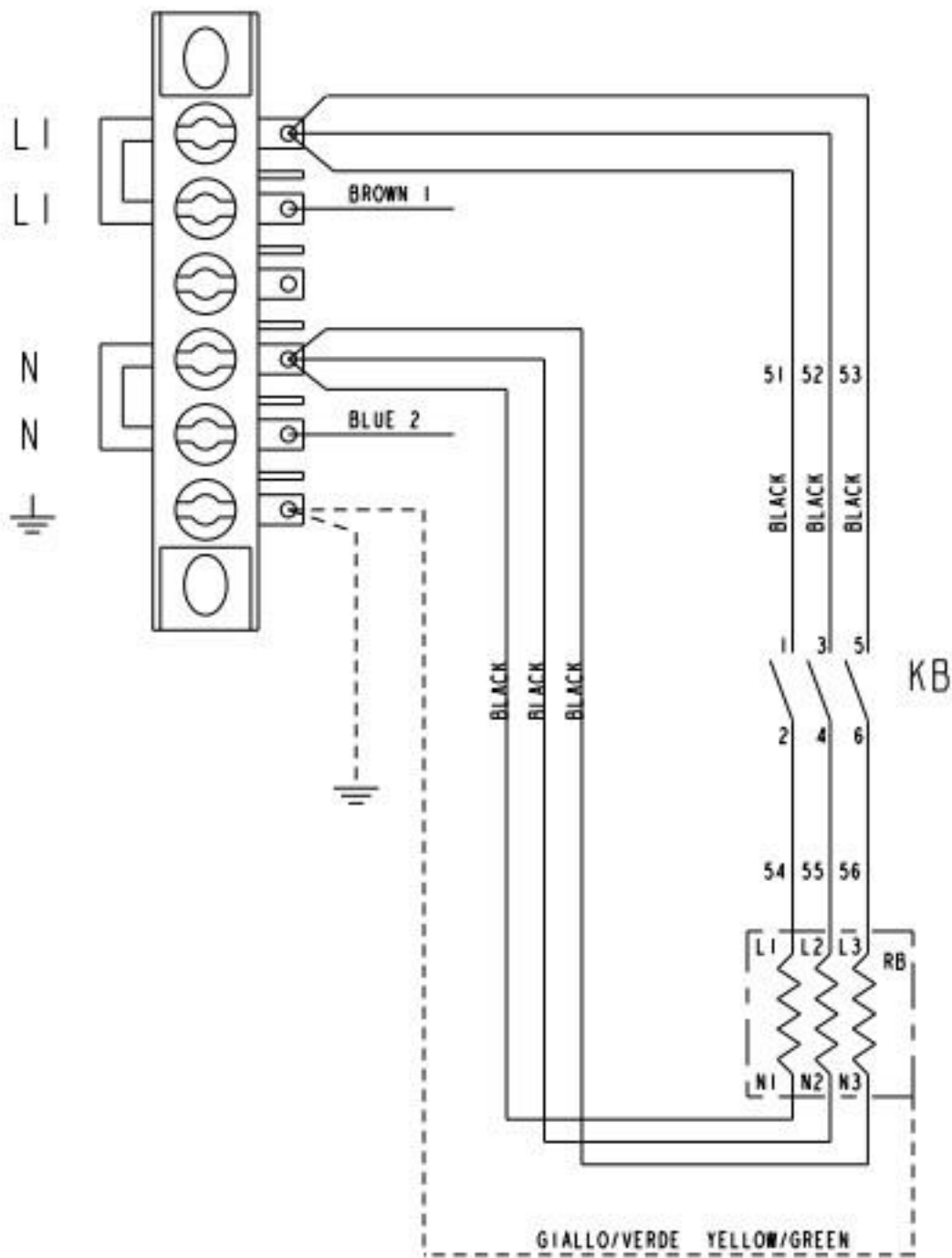
RB=6000/4500W  
MAIN CABLE 4X2.5mm<sup>2</sup>



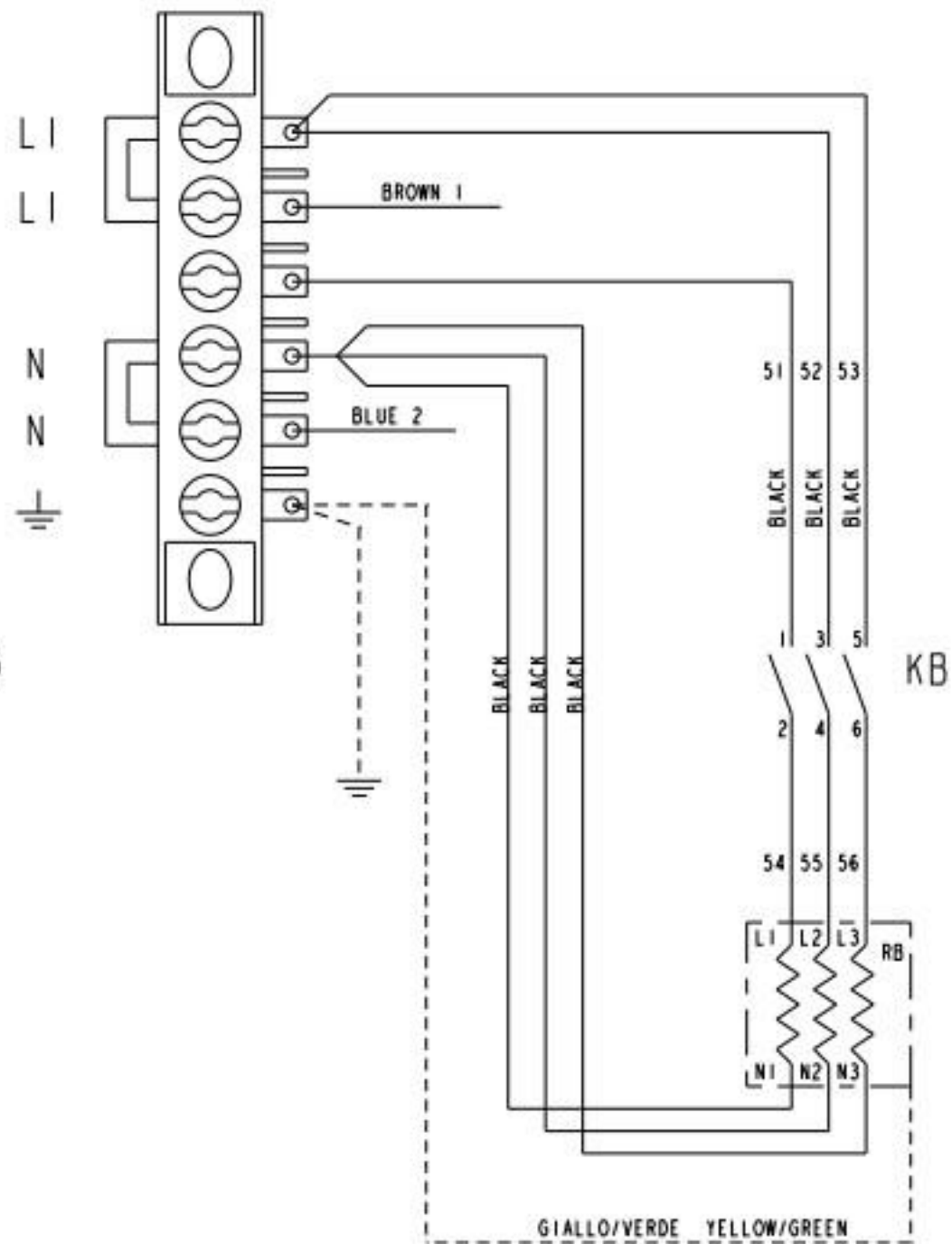
230-240 3P+N 50/60HZ

RB=6000/4500W  
MAIN CABLE 3X4mm<sup>2</sup>

RB=4000/3000W  
MAIN CABLE 3X4mm<sup>2</sup>

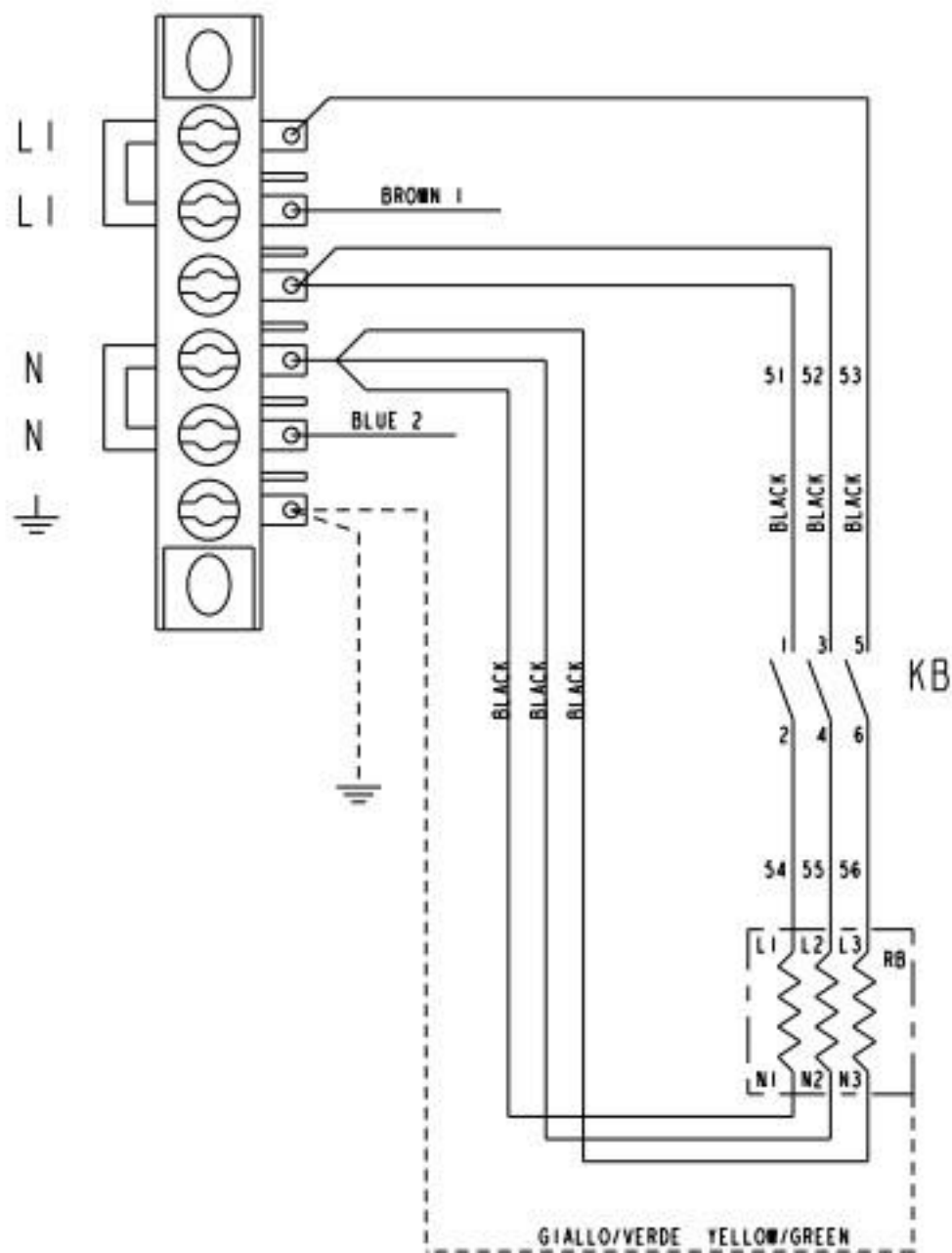


230-240 L1+N 50/60HZ



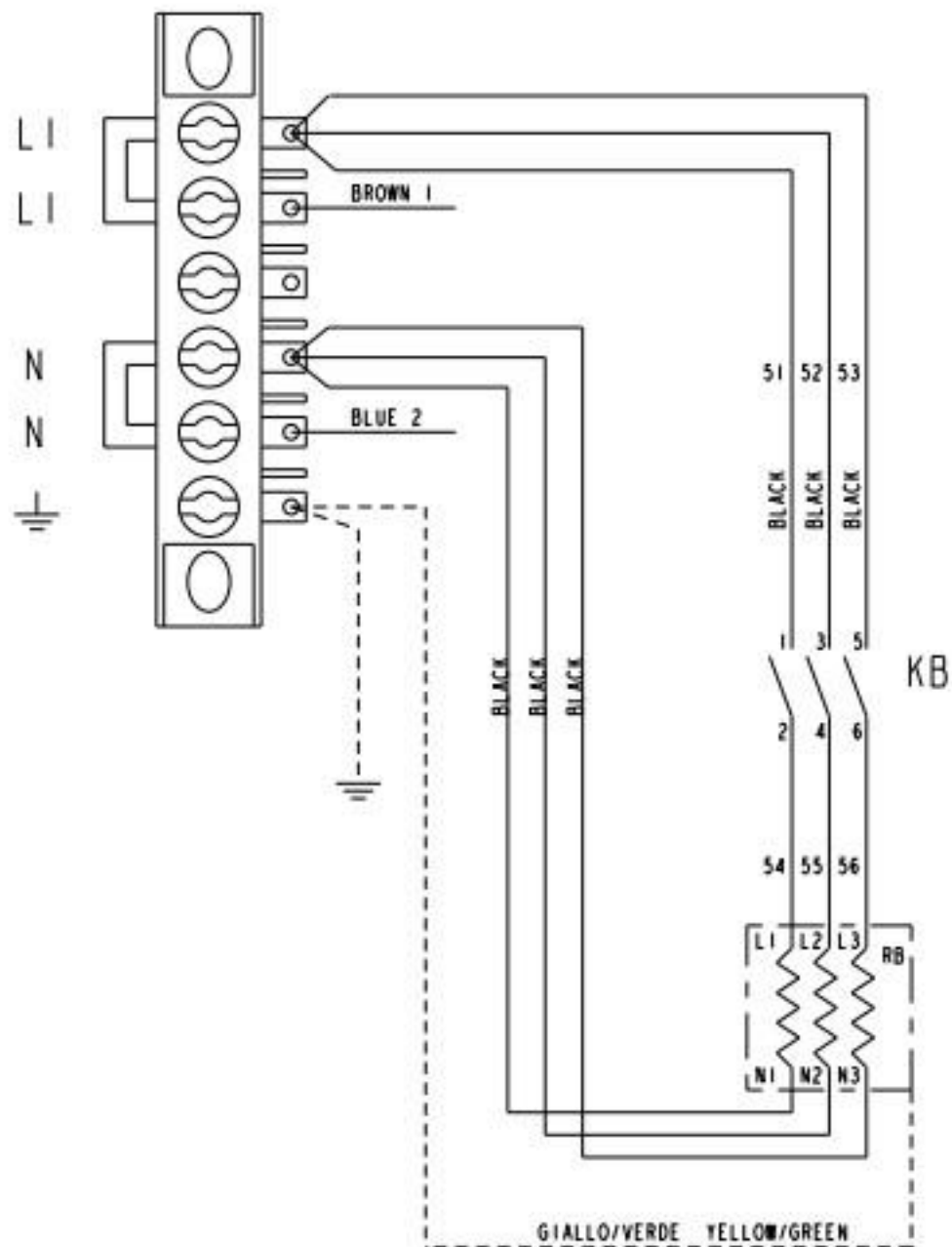
220-240 L1+N 50/60HZ

RB=2000/1500W  
MAIN CABLE 3X4mm<sup>2</sup>



230 LI+N 50HZ

RB=2370W  
MAIN CABLE 3X4mm<sup>2</sup>



240 LI+N 50HZ