



ILLUSTRATED PARTS LIST

BLAKESLEE

Potato and Vegetable Peelers

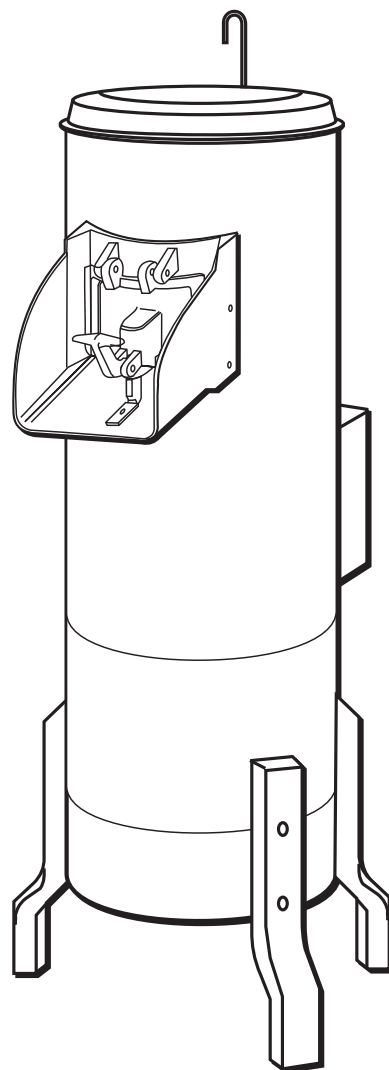
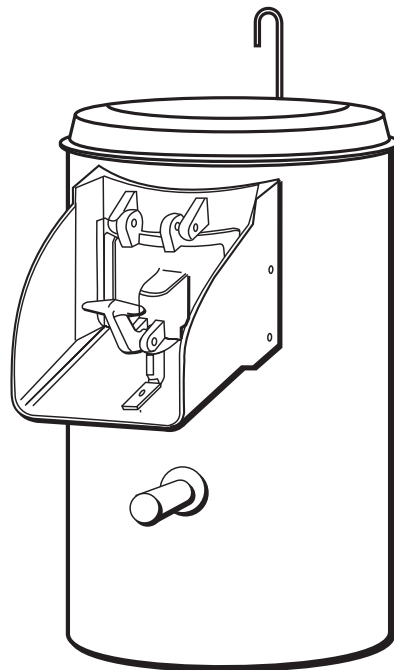
MODELS:

S-15

XC-15

XC-30

XC-60



Notes



Table of Contents

Page	DESCRIPTION
1	Table of Contents
2	Installation & Operation
3	Operation (Cont.) & Cleaning
4	Model S-15 Peeler Breakdown - Figure 1
5	Model S-15 Peeler Part Numbers
6	Model S-15 Peeler Breakdown (Cont.)
7	Model S-15 Peeler Part Numbers (Cont.)
8	Models XC-15,XC-30 & XC-60 Breakdown – Figure 2
9	Models XC-15,XC-30 & XC-60 Part Numbers
10	Models XC-15,XC-30 & XC-60 Breakdown (Cont.)
11	Models XC-15,XC-30 & XC-60 Part Numbers (Cont.)
12	Bearing Column Figure 3 - Serial No. up to 1 AAA
13	Bearing Column Figure 4 - Serial No. Suffix AAB and up
14	Bearing Column Figure 5 - Serial No. Suffix BAB and up
15	Door Assembly Figure 6
16	Troubleshooting Chart

Illustrated Parts Manual

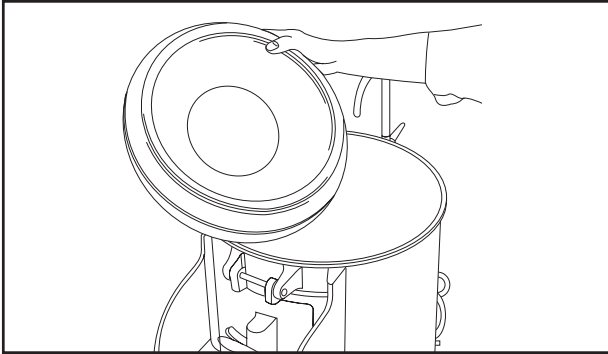
Models S-15, XC-15, XC-30, XC-60



BLAKESLEE

Potato and Vegetable Peelers

INSTALLATION



1. Place your Blakeslee Peeler where the most efficient operation is assured. The Peeler should be placed so that the peeled potatoes can be discharged into a sink.

NOTE: If your Peeler was supplied in the bench model, then the Peeler should be installed with room for the potatoes to discharge into a metal container so that the peeled potatoes can be submerged in water, as peeled potatoes must be kept under water to prevent their turning black.

2. The Potato Peeler is equipped with a removable strainer basket that catches the peelings. This strainer basket is removed through the access door in the base of the Peeler. When installing your Peeler, be sure there is ample room to permit easy removal of the strainer basket.

NOTE: XC (floor) model peelers are shipped with the unload door and strainer directly over one another.

3. It is possible to have the strainer basket in a different position. Simply remove the attaching bolts, move the bottom cylinder in increments of 90° until the desired position is obtained and reinstall attaching bolts.

NOTE: When you have selected the proper location for the Peeler, it is then necessary to connect the motor, the drain, and make a cold water connection to the spray inlet on the top of the Peeler.

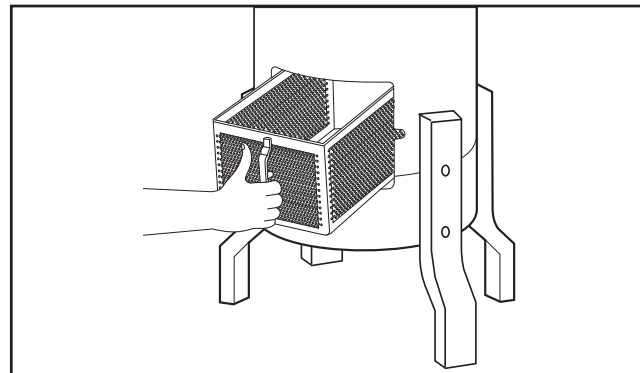
4. Before making the electrical connection, be sure that the electrical specifications on the tag

attached to the motor correspond to the available electrical current.

5. The drain pipe should be 2" or larger all the way with as much downward pitch as possible and without any sharp bends for good drainage. A 3/8" cold water supply line should be connected to the back of the machine. A hose bibb, to which a hose may be attached, is recommended for cleaning the peeler after it has been used.

OPERATION

1. Before operating the Peeler, be sure that the peeling disc and cover and the peel trap strainer basket are all in place, then adjust the cock or valve for the correct flow of water into the peeling chamber.
2. Turn on the motor and then put in the potatoes.



NOTE: Be careful not to overload the machine. When the peeling chamber is overloaded, the potatoes will not tumble and roll properly and there will be more waste than is necessary. Overloading the peeling chamber can also cause uneven peeling, or what is commonly called "flats".

3. When peeling long Idaho potatoes, it is often advisable to cut them in half for efficient peeling.
4. Always be sure to turn on the motor so that the peeling disc is in motion before the potatoes are dumped into the peeling chamber. Filling the potato chamber first and then starting the motor



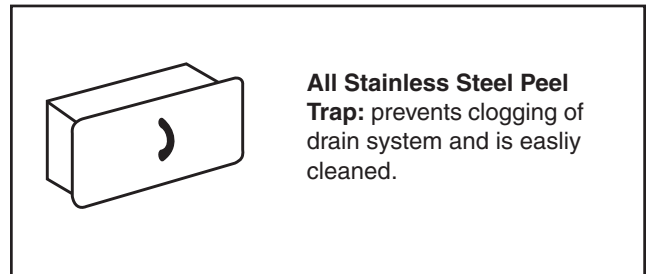
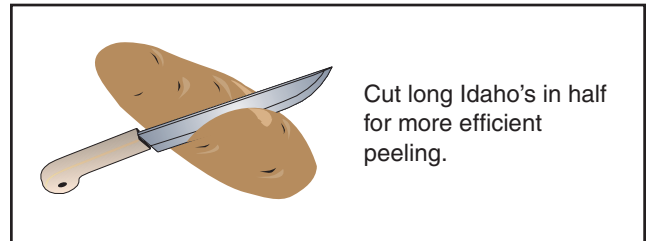
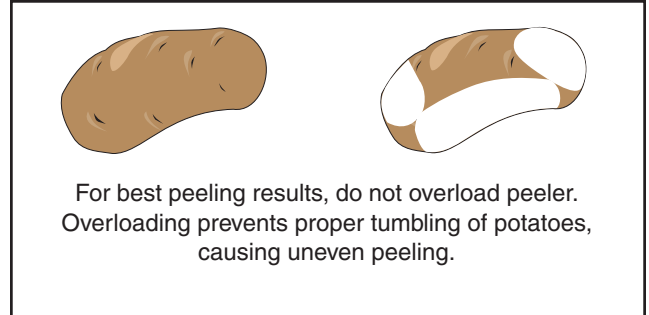
OPERATION (Cont.)

tends to overload the motor and the potatoes do not tumble and roll for easy peeling.

NOTE: It is very desirable to have a container as a measure that will hold just the right quantity of potatoes. 15, 20, or 60 lbs., as the model indicates as such a measure is insurance against overloading.

The time required for peeling a charge of potatoes depends greatly on the condition and age of the potatoes. New potatoes are peeled very quickly, whereas old potatoes require a longer time for peeling. Potatoes that are being peeled for potato chips are generally packed very lightly. Potatoes that are going to be mashed should be peeled more thoroughly. This progress of the peeling can be watched and sometimes it is advisable to lift out a few potatoes to examine the extent of the peeling that has been accomplished.

To discharge the peeled potatoes, merely open the door of the peeling chamber and the peeled potatoes will automatically be thrown out. After the peeled potatoes have been discharged, turn off the water and the motor. Do not peel the eyes out of the potatoes as it is much more economical to trim out the eyes by hand after peeling. When peeling large quantities of potatoes, empty the peel trap strainer basket frequently.



CLEANING

When all of the potatoes and vegetables have been peeled, and before the inside of the peeler has had time to dry, remove the cover and the peeling disc and hose out the inside of the peeler. Always remember to empty and clean the peel trap strainer basket.

CAUTION: Be sure motor is connected so peeling disc operates in clockwise direction. This is very important as if motor is running backwards, peeler cover will fly off when potatoes are being peeled.

Illustrated Parts Manual

Models S-15, XC-15, XC-30, XC-60



BLAKESLEE

Potato and Vegetable Peelers

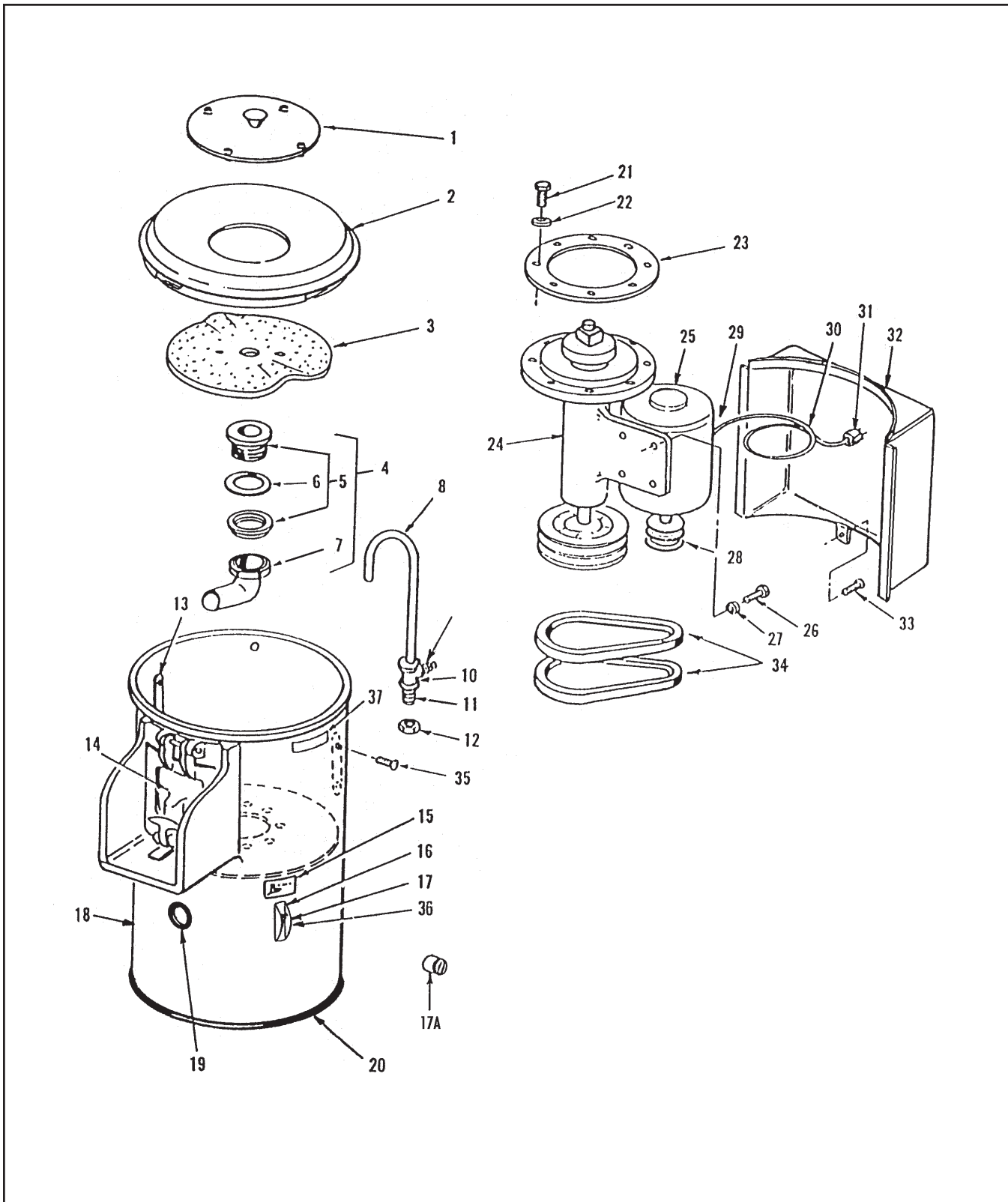


Figure 1. Model S-15 Peeler



BLAKESLEE

Illustrated Parts Manual

Models S-15, XC-15, XC-30, XC-60

Potato and Vegetable Peelers

Figure 1. Model S-15 Peeler

Index No.	Part No.	Description	No. Reqd.
1	P2-5100	SPLASH COVER	1
2	P2-5163	HOPPER, Plastic	1
3	P4-5270	PEEL, DISC	1
4	P2-5144	DRAIN ASSEMBLY, (Consists of items 5, 6, &, 7)	1
5	P1-5291	DRAIN CUP w/Flanged Locknut	1
6	P1-5292	GASKET	1
7	P1-5295	WASTE TUBE w/Locknut and Rubber Washer	1
8	P1-5066	SPRAY PIPE	1
9	P1-17238	NIPPLE, Dixon Style 3500	1
10	P1-17236	TEE, ¼ X 3/8" Female	1
11	P1-5210	STUD, ½ X 3"	1
12	WO-14192	LOCKNUT, ½ X 13 Hex Jam Nut, Cadm Plated	1
13	P1-5272	LOBE, Peeler	2
14	P4-5258	DOOR ASSEMBLY, (See Fig. 3 for Detail Parts)	1
15	P1-5052	PLATE, Data	1
16	P1-5096	PLATE, Switch Cover	1
17	P1-15260	SWITCH, Toggle, 1 PIL, Flush	1
17	P1-17203	SWITCH, Toggle, 3 PIL, Flush	1
17A	P-2-05108	SWITCH, Timing 1ph. Only (opt.)	
18	P4-5212	HOUSING, Upper w/Chute Casting	1
19	P1-17246	RUBBER GROMMET	1
20	P1-17247	GASKET, Channel	1
21	W1-8148	CAPSCREW, 3/8 X ¾" lg., S/S	8
22	W1-5587	WASHER, Plain 3/8", S/S	8
23	P2-5010	GASKET	1
24	P4-5220	BEARING COLUMN ASSEMBLY, Complete (See Fig. 4 for detail parts)	1
25	P1-5280	MOTOR, 1/3 H.P., 1 PH., 115/230V	1
25	P1-5281	MOTOR, 1/3 H.P., 3 PH., 220V	1
26	W1-7111	CAPSCREW, 5/16 X ¾" lg. Hex Hd.	4
27	W-1-5587	LOCKWASHER, 5/16", S/S	4
28	P1-5111	SHEAVE (2 Groove)	1
29	M1-15388	CONNECTOR, 3/8" 90° (Not Illustrated)	1
30	P1-17214	CORD, No. 14 AWG, 3 Wire Cond. 1 PH.	6 Ft.
30	M1-15369	CORD, No. 14 AWG, 4 Wire Cond. 3 PH.	6 Ft.

Illustrated Parts Manual

Models S-15, XC-15, XC-30, XC-60



BLAKESLEE

Potato and Vegetable Peelers

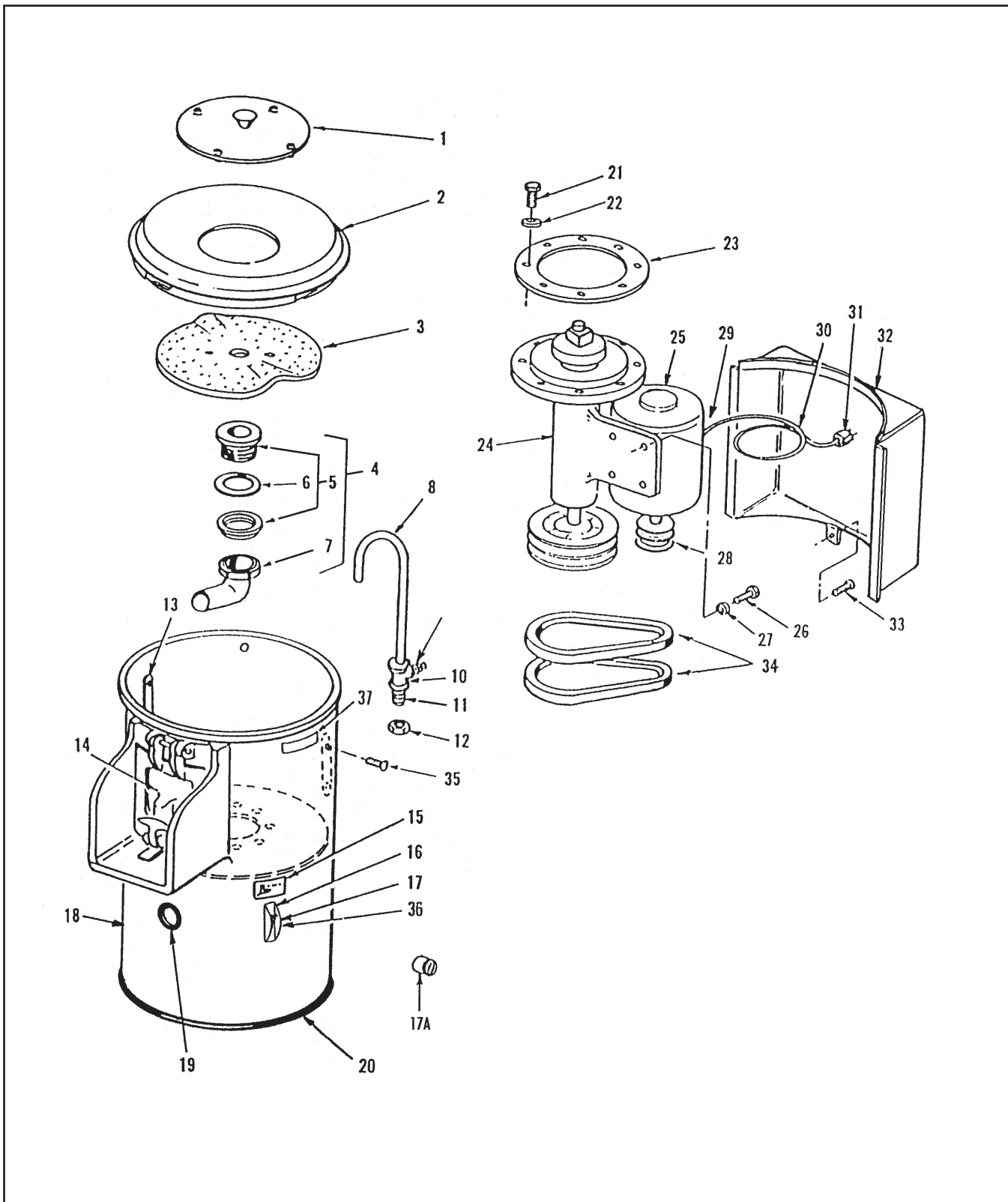


Figure 1. Model S-15 Peeler (Continued)

**Table 1. Model S-15 Peeler (Continued)**

Index No.	Part No.	Description	No. Req'd.
31	P1-17212	PLUG, Use with 3 Wire Cord, 120V, 1 PH., 15 Amp.	1
31A	M1-15374	PLUG, Use with 3 Wire Cord, 250V, 1 PH., 15 Amp.	1
31B	PO-17213	PLUG, Use with 4 Wire Cord, 208/240V, 3 PH., 20 Amp.	1
31C	PO-95603	PLUG, Use with 4 Wire Cord, 480V, 3 PH., 20 Amp.	1
32	P4-5207	HOUSING, Motor Cover	1
33	W1-5987	SCREW, 10-24 X 1/2" Pan Hd.	1
34	P1-15211	V-BELT, 31" lg.	2
35	W1-10307	SCREW, 10/32 X 3/8" lg., Rd Hd. Mach.	4
36	M1-95654	SWITCH GUARD	1
37	P1-95647	CAUTION LABEL	1

Illustrated Parts Manual

Models S-15, XC-15, XC-30, XC-60



BLAKESLEE

Potato and Vegetable Peelers

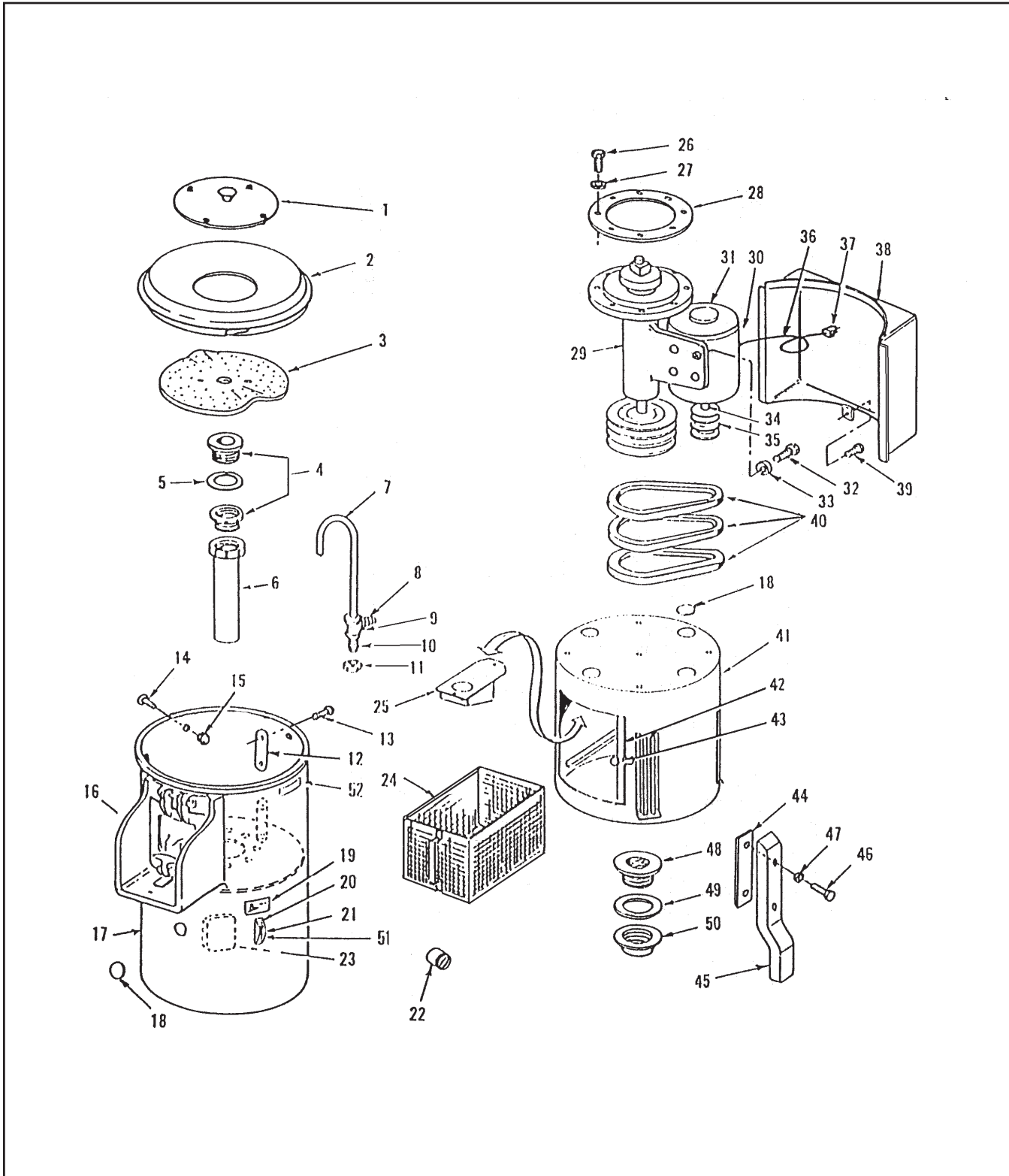


Figure 2. Models XC-15, XC-30 & XC-60 Peelers



Figure 2. Models XC-15, XC-30 & XC-60 Peelers

Index No.	XC-15	XC-30	XC-60	Description	Qty
1	P2-5100	P2-5100	P2-5100	SPLASH COVER	1
2	P2-5163	P2-5164	P2-5164	HOPPER, Plastic	1
3	P4-5270	P4-5109	P4-5109	PEEL DISC	1
4	P1-5291	P1-5291	P1-5291	DRAIN PLUG, with flanged Locknut	1
5	P1-5292	P1-5292	P1-5292	GASKET	1
6	P1-5293	P1-5291	P1-5294	WASTER TUBE w/Locknut and Rubber Washer	1
7	P1-5066	P1-5066	P1-5066	SPRAY PIPE	1
8	P1-17238	P1-17238	P1-17238	NIPPLE, Dixon Style 3500	1
9	P1-17236	P1-17236	P1-17236	TEE, ¼ X 1/4" Female	1
10	P1-5210	P1-5210	P1-5210	STUD, ½ X 3"	1
11	WO-14192	WO-14192	WO-14192	LOCKNUT, ½ X 13 Hex Jam Nut, Cadm Plated	1
12	P1-5272	P1-5272	P1-5272	LOBE, Peeler	2
13	W1-10307	W1-10307	W1-10307	SCREW, 10/32 X 3/8" lg. Rd Hd. Mach. (XC-60 Qty 6)	4
14	W1-11515	W1-11515	W1-11515	SCREW, 10/24 X 1/4" lg. Rd Hd. Mach.	4
15	P1-17252	P1-17252	P1-17252	NUT, 10/24 Cap	4
16	P4-5258	P4-5025	P4-5025	CHUTE AND DOOR ASSEMBLY, (See Fig. 3 for detail parts)	1
17	P4-5212	P4-5231	P4-5232	HOUSING, Upper w/Chute Casting	1
18	W1-7123	W1-7123	W1-7123	PLUG, Button	3
19	P1-5052	P1-5052	P1-5052	PLATE, Data	1
20	P1-5096	P1-5096	P1-5096	PLATE, Switch Cover	1
21	P1-15260	P1-15260	P1-15260	SWITCH, Toggle, 1 PIL, Flush	1
21	P1-17203	P1-17203	P1-17203	SWITCH, Toggle, 3 PIL, Flush	1
22	P-2-05108	P-2-05108	P-2-05108	SWITCH, Timing 1ph. Only (opt.)	1
23	P1-17250	P1-17250	P1-17250	ELECTRICAL BOX w/Cover	1
24	P4-5203	P1-5189	P1-5189	BASKET, Peel Trap	1
25	P3-5252	P3-5252	P2-5252	DEFLECTOR, Drain	1
26	W1-8148	W1-8148	W1-8148	CAPSCREW, 3/8 X ¾" lg., S/S	8
27	W1-5587	W1-5587	W1-5587	WASHER, Plain 3/8", S/S	8
28	P2-5010	P2-5010	P2-5010	GASKET	1
29	P4-5220	P4-5220	P4-5221	BEARING COLUMN ASSEMBLY, Complete (See Fig. 4 for detail parts)	1
30	M1-15388	M1-15388	M1-15388	CONNECTOR, 3/8", 90° (Not Illustrated)	1
31	P1-5280	P1-5282	P1-5281	MOTOR, 1/3 H.P., (XC-15), ¼ HP (XC-30), 1 HP (HC-60) 1 PH.	1
31	P1-5281	P1-5283	P1-5285	MOTOR, 1/3 H.P., (XC-15), ¼ HP (XC-30), 1 HP (HC-60) 3 PH.	1
32	W1-7111	W1-7111	W1-7111	CAPSCREW, 5/16 X ¾" lg. Hex Hd.	4

Illustrated Parts Manual

Models S-15, XC-15, XC-30, XC-60



BLAKESLEE

Potato and Vegetable Peelers

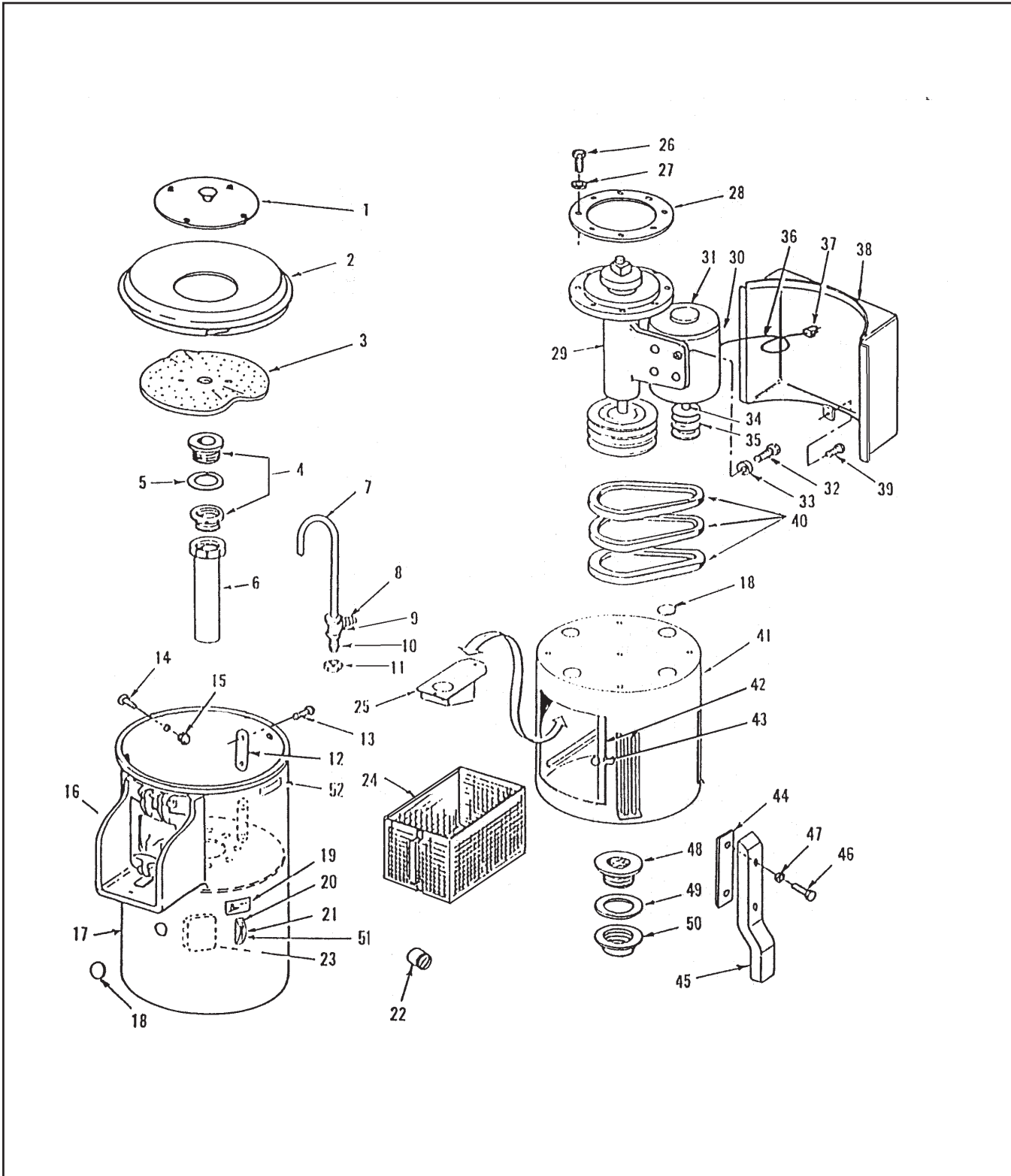


Figure 2. Models XC-15, XC-30 & XC-60 Peelers (Continued)



BLAKESLEE

Illustrated Parts Manual

Models S-15, XC-15, XC-30, XC-60

Potato and Vegetable Peelers

Table 2. Models XC-15, XC-30 & XC-60 Peelers (Continued)

Index No.	XC-15	XC-30	XC-60	Description	Qty
33	P1-17235	P1-17235	P1-17235	LOCKWASHER, 5/16"	4
34	-	P1-5155	P1-5155	KEY, 3/16" X 2" lg.	1
35	P1-5111	P1-5007	P1-5131	SHEAVE	1
35A	P1-95068	P1-95067	P1-95067	SHEAVE for 50 Cycle Motors Only	1
36	P1-17214	-	-	CORD, No. 14 AWG, 3 Wire Cond. 1 PH. (Opt XC-15)	6 Ft.
36A	M1-15369	-	-	CORD, No. 14 AWG, 4 Wire Cond. 3 PH. (Opt XC-15)	6 Ft.
37	P1-17212	P1-17212	P1-17212	PLUG, Use with 3 Wire Cord, 120V, 1 PH., 15 Amp.	1
37A	M1-15374	M1-15374	M1-15374	PLUG, Use with 3 Wire Cord, 250V, 1 PH., 15 Amp.	1
37B	PO-17213	PO-17213	PO-17213	PLUG, Use with 4 Wire Cord, 208/240V, 60C, 3 PH., 20 Amp.	1
37C	PO-95603	PO-95603	PO-95603	PLUG, Use with 4 Wire Cord, 480V, 60C, 3 PH., 20 Amp.	1
38	P4-5207	P4-5196	P4-5196	HOUSING, Motor Cover	1
39	W1-5987	W1-5987	W1-5987	SCREW, 10-24 X 1/2" Pan Hd.	1
40	P1-15211	P1-15211	-	V-BELT, 31" lg. (XC-15 & XC-30)	2
40	-	-	W1-8888	V-BELT, 31" lg. (XC-60)	3
41	P4-5205	P4-5188	P4-5188	HOUSING, Lower Weldment	1
42	P2-17210	P2-17210	P2-17210	SIDING DOOR, S/S	1
43	P1-17228	P1-17228	P1-17228	Knob assembly, includes Item 43 Knob, 43A Lockwasher & 43B Screw	1
43A	P1-17244	P1-17244	P1-17244	#8 LOCKWASHER	1
43B	W1-7476	W1-7476	W1-7476	SCREW	1
44	P1-5199	P1-5199	P1-5199	CLAMP BAR	4
45	P4-5195	P4-5195	P4-5195	LEG, Aluminum	4
46	P1-17230	P1-17230	P1-17230	CAPSCREW, 3/8 X 1" lg. Hex Hd.	8
47	W1-7524	W1-7524	W1-7524	LOCKWASHER, 3/8", Split	8
48	P1-17248	P1-17248	P1-17248	WASTE DRAIN 2" Brass	1
49	P1-5236	P1-5236	P1-5236	GASKET	1
50	P1-17249	P1-17249	P1-17249	LOCKNUT, Pipe, 2"	1
51	M1-95654	M1-95654	M1-95654	SWITCH GUARD	1
52	P1-95647	P1-95647	P1-95647	CAUTION LABEL	1

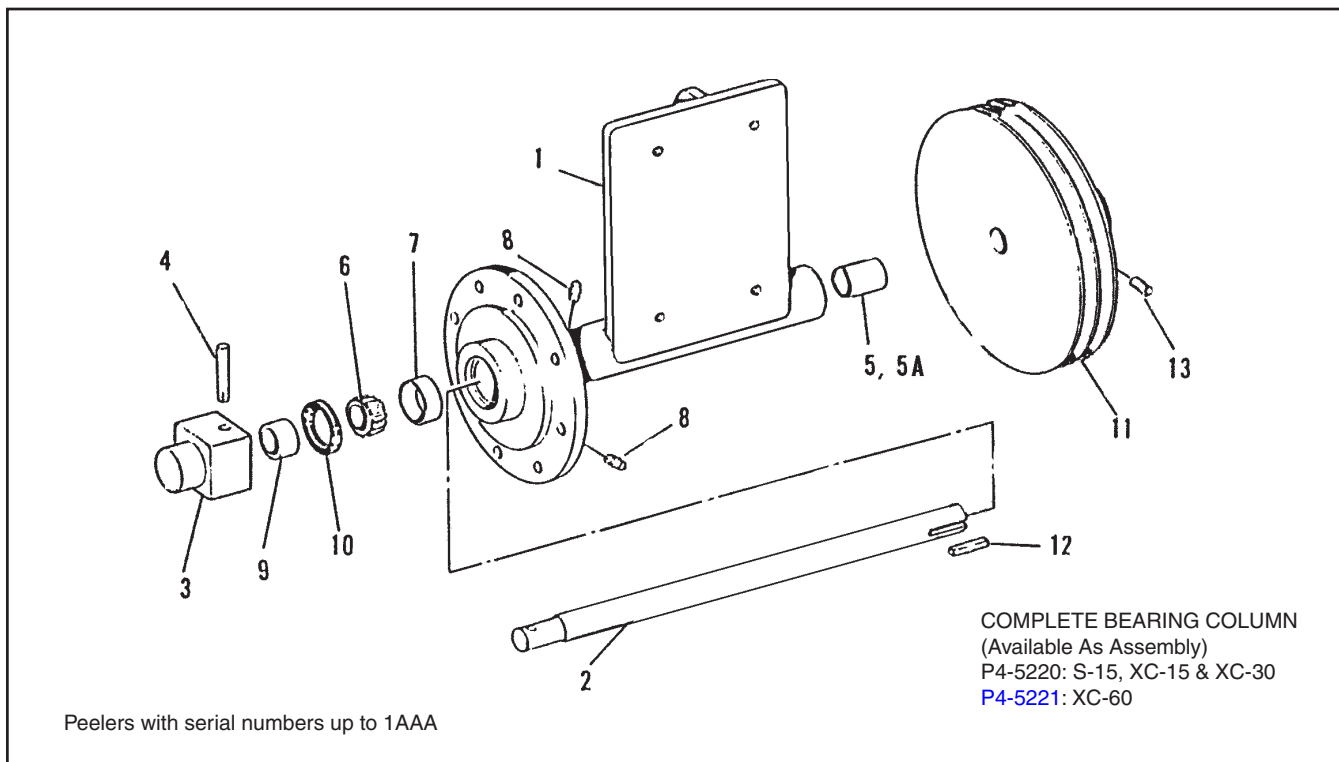
Illustrated Parts Manual

Models S-15, XC-15, XC-30, XC-60



BLAKESLEE

Potato and Vegetable Peelers



Peelers with serial numbers up to 1AAA

Figure 3.

Item No.	Part No.	Description	No. Reqd.
1	P4-5222	BEARING COLUMN (S-15, XC-15 & XC-30)	1
1	P4-5224	BEARING COLUMN (XC-60)	1
2	P2-5225	DRIVE SHAFT, Peel Disc (S-15, XC-15 & XC-30)	1
2	P2-5227	DRIVE SHAFT, Peel Disc (XC-60)	1
3	P1-5177	DRIVING BLOCK	1
4	P1-17232	DRIV-LOK PIN ¼ x 2	1
5	P1-17222	BUSHING, Plain Used up to 6-1-85	1
5A	70170	BALL Bearing, Used after 6/1/85	
6	P1-17225	BEARING Roller Cone	1
7	P1-17224	BEARING, Cup	1
8	P1-17233	PIPE PLUG, 1/8-27 N.P.T.	1
9	P1-5253	SPACER	1
10	P1-5274	OIL SEAL	1
11	P1-17229	PULLEY 2-Groove (S-15, SC-15 & XC-30)	1
11	P3-5135	PULLEY 3-Groove (XC-60)	1
12	P1-17242	KEY, ¼" SQ. x 1-1/2" lg.	1
13	W1-7117	SET SCREW, 5/16 x 3/8" lg. Cup Ft.	1

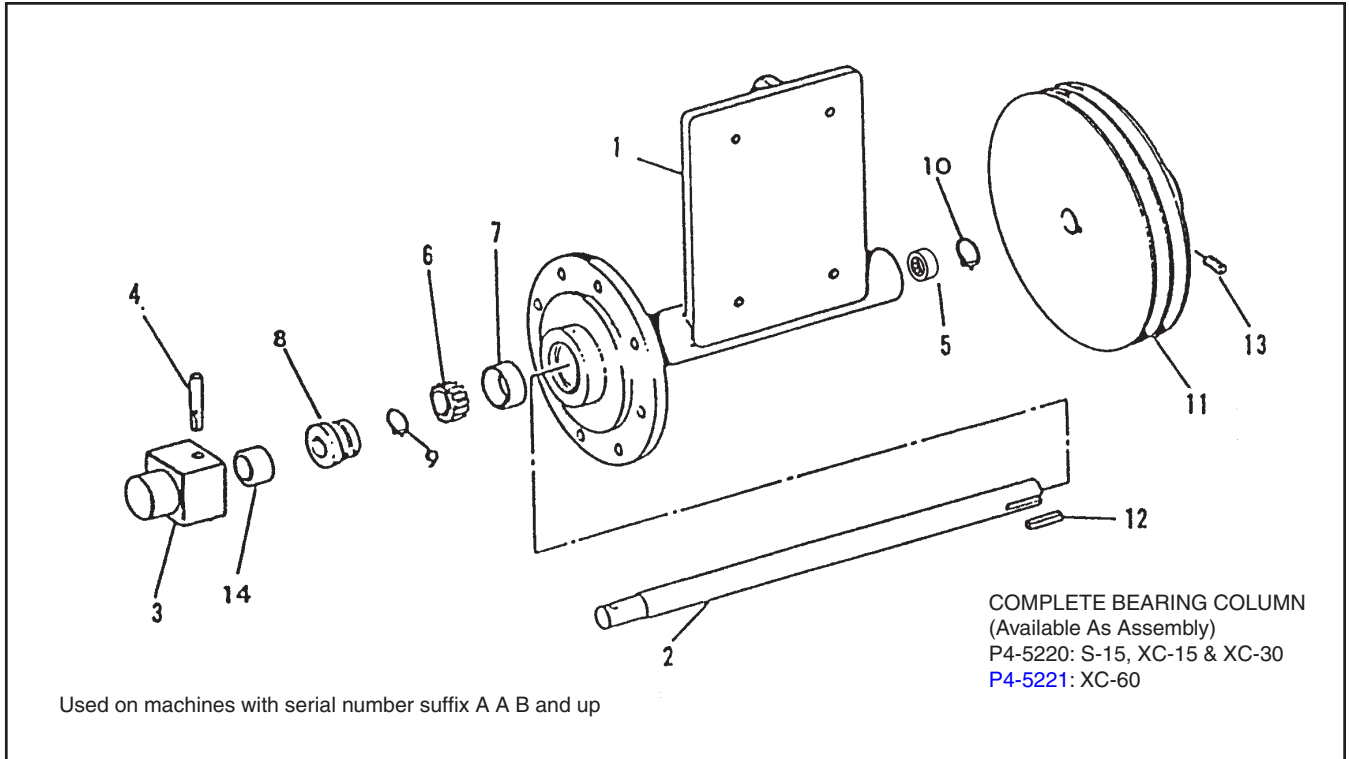


Figure 4.

Item No.	Part No.	Description	No. Reqd.
1	5222	BEARING COLUMN (S-15, XC-15 & XC-30)	1
1	5224	BEARING COLUMN (XC-60)	1
2	73195	DRIVE SHAFT (S-15, XC-15 & XC-30)	1
2	73196	DRIVE SHAFT (XC-60)	1
3	73197	DRIVE BLOCK	1
4	17232	DRIV-LOK PIN	1
5	70170	BALL BEARING	1
6	17225	TIMKEN CONE	1
7	17224	TIMKEN CUP	1
8	2255	SHAFT SEAL ASSY	1
9	3488	RETAINING RING	1
10	73203	RETAINING RING	1
11	17229	PULLEY (S-15, SC-15 & XC-30)	1
11	5135	PULLEY (XC-60)	1
12	17242	KEY	1
13	7117	SET SCREW	1
14	73198	SPACER	1

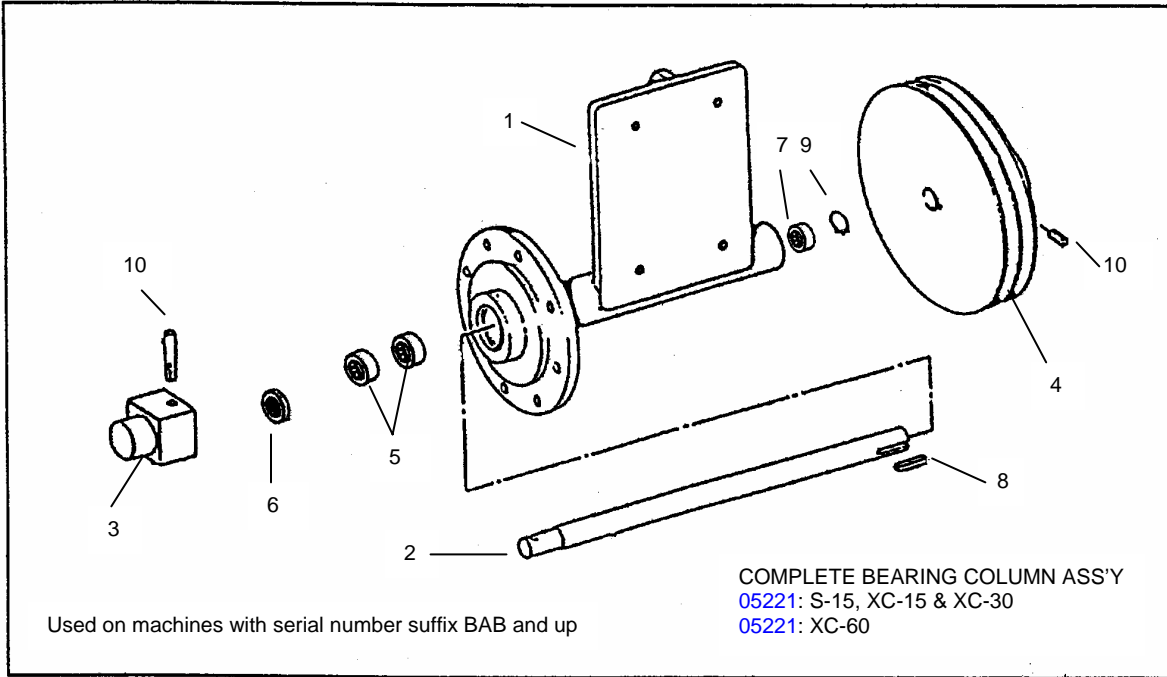


Figure 5

Item No.	Part No.	Description	No. Reqd
1	77591	BEARING COLUMN	1
2	77594	DRIVE SHAFT (S-15, XC-15 & XC-30)	1
2	77593	DRIVE SHAFT (XC-60)	1
3	77592	DRIVE BLOCK	1
4	17229	PULLEY(S-15, XC-15 & XC-30)	1
4	05135	PULLEY (XC-60)	1
5	77595	BALL BEARING	2
6	77596	THRUST WASHER	1
7	70170	BALL BEARING	1
8	17242	.25 SQ. KEY STOCK	1
9	73203	RETAINING RING	1
10	07117	5/16-18 3/8 CUP POINT SET SCREW	1

Illustrated Parts Manual

Models S-15, XC-15, XC-30, XC-60



BLAKESLEE

Potato and Vegetable Peelers

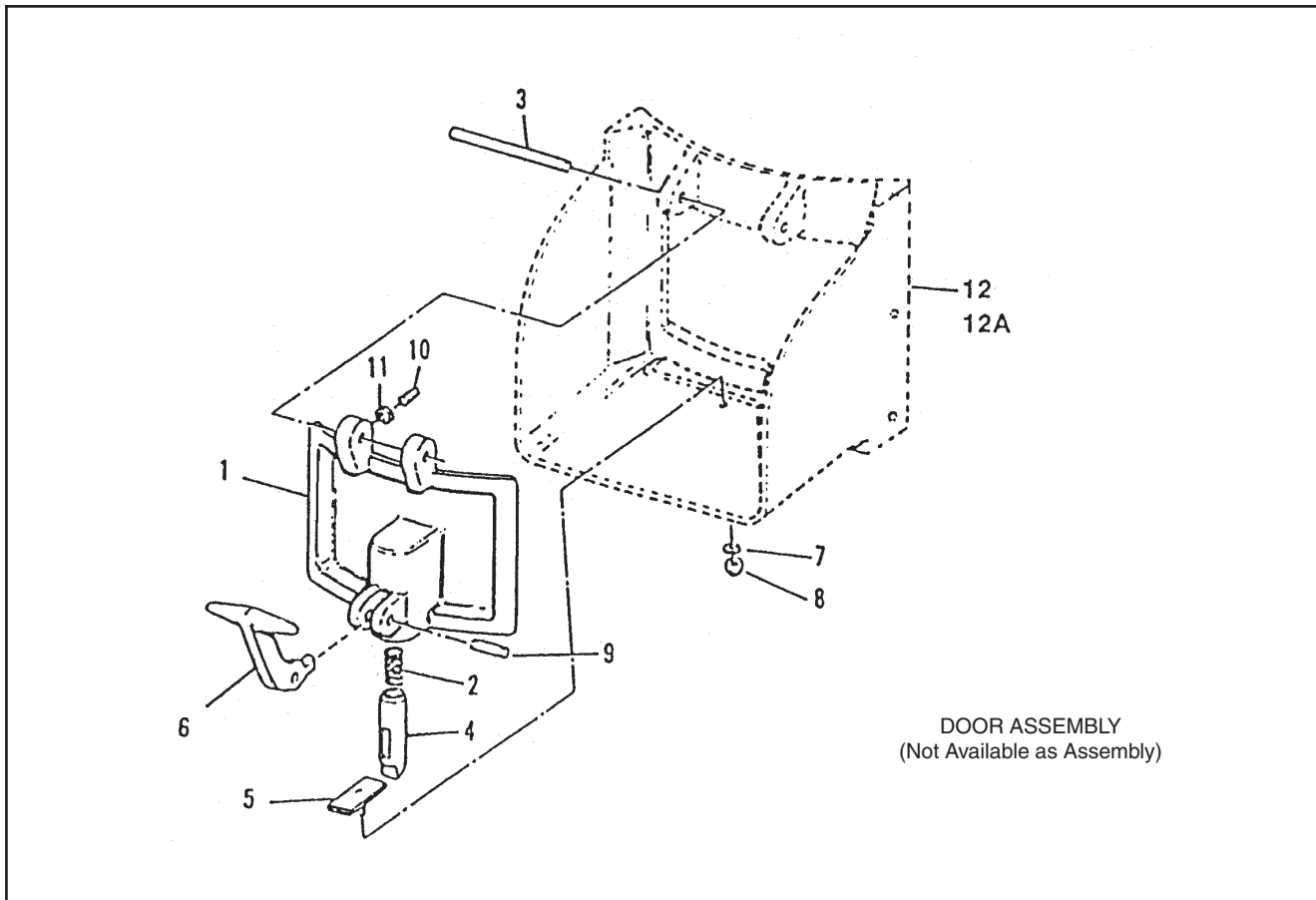


Figure 6.

Item No.	Part No.	Description	No. Req'd.
1	P4-5014	DOOR, Peeler	1
2	P1-5036	SPRING	1
3	P1-5254	PIN, Hinge	1
4	P1-5035	PLUNGER	1
5	P1-5030	LATCH JAM	1
6	P1-5037	HANDLE, Latch	1
7	W-1-7598	LOCKWASHER, 5/15 S/S	1
8	W-1-8138	CAP NUT, Brass, 5/16-18 S/S	1
9	P1-17231	DRIV-LOK PIN, S/S	1
10	P1-5269	BALL PLUNGER	1
11	W1-8132	JAM NUT, 10/32	1
12	P-4-5024	CHUTE CASTING (S-15, XC-15)	1
12A	P-4-5051	CHUTE CASTING (XC-30, XC-60)	1



Troubleshooting Chart

TYPE OF TROUBLE	REASON	CORRECTIVE MEASURE
Peeler will not start	Main Fuse or Circuit Breaker	Change fuses or reset circuit breaker
Wire loose or broken	Overload switch tripped	Push reset button. Visually check all connections, controls and motor. Check switch.
Motor runs but peeler disc does not run	Belt broken or slipping	Adjust belt tension or replace broken belts.
Peeler runs hot or smokes	<p>Improper voltage for motor or motor defective. Motor overloading, thus overheating</p> <p>Bearing column tight not free running</p>	<p>Check incoming voltage and motor. Check amperage draw.</p> <p>Grease by removing plugs at lower bearings using Elimate grease gun and Shell Darlina 2 grease or equivalent.</p> <p>Some units may not have plugs. Unit must then be disassembled and the grease manually applied.</p>
Peeler makes noise when running	Worn out bearings	Field replacement of bearings is extremely difficult. It is strongly suggested to replace the entire bearing column assembly when the bearings require replacement. Refer to pages 12 or 13 for part number.
Peeler leaks water at the center bearing	Defective seal	Replace seal (refer to pages 7 and 8 for exact type).
Peeler won't peel potatoes	<p>Worn peeler abrasive disc</p> <p>Peeler overloaded</p>	<p>Replace abrasive disc P4-5270 (XC-15) P4-5109 (XC-30, XC-60)</p> <p>Use proper amount of potatoes for your type of peeler (See Owners Manual).</p>
Flat spots on Idaho potatoes	Potatoes are too long	Cut Idaho potatoes in half before inserting in machine.
Water splashes out when peeling potatoes	<p>Too much water pressure</p> <p>or</p> <p>Splash cover missing</p>	<p>Turn water valve down to regulate.</p> <p>Replace splash cover P/N P2-5100.</p>
Water leaking on floor	<p>Peel trap basket full of peelings</p> <p>Lower drain plugged up</p>	<p>Empty peel trap basket.</p> <p>Clean or rod out drain.</p>

PARTS & SERVICE

USA

Blakeslee Authorized Parts & service Distributors and Preferred Service Agents are the focal point for service and are responsible for all warranty/repair work and for maintaining a complete stock of replacement parts.

They have factory-trained servicemen and are kept informed by the factory on the latest servicing procedures.

To receive service and/or parts, call the Blakeslee Distributor nearest you. If you happen to be in an area not covered by a distributor, phone the Blakeslee Service Department in Chicago at 708-656-0660 for the name and location of one of over 300 strategically-located Blakeslee Authorized Service Agencies, which is nearest you.

ALABAMA

Jones McLeod Appliance Co.
1616 Seventh Ave. North
Birmingham, AL 35203
205-251-0159

ARIZONA

Byassee Equipment
1939 E. Washington
Phoenix, AZ 85034
602-252-0402

ARKANSAS

Bromley Parts & Service
10th & Ringo Street
Little Rock, AR 72202
501-374-0281

CALIFORNIA

Acme Pacific Repairs, Inc.
1347 Fulton Place
Fremont, CA 94539
510-252-2070

Barker's Food Machinery Ser.
5367 Second Street
Irwindale, CA 91706
626-960-9390

Chapman Appliance Service
1784 San Diego Ave.
San Diego, CA 92126
619-298-7106

Sterling Service
644 W. Hawthorn Street
Glendale, CA
818-243-1234

COLORADO

Metro Appliance Service
1640 S. Broadway
Denver, CO 80210
303-778-1126

CONNECTICUT

A-Tech Service, Inc.
161 Sanrico Drive
Manchester, CT 06040
860-649-6627

DISTRICT OF COLUMBIA

Electric Motor Repair
700 East 25th Street
Baltimore, MD 21218
410-467-8080

FLORIDA

Commercial Appliance Service
8416 Laurel Fair Circle
Tampa, FL 33610
813-663-0313

Dade Restaurant Repair
2001 W. 27th Street
Hialeah, FL 33010
305-887-0783

GCS
3373 Northwest 168th Street
Miami, FL 33056
305-623-7001

FLORIDA (Cont.)

Nass Service Co. Inc.
1108 S. Woods Ave.
Orlando, FL 32805
407-425-2681

GEORGIA

TWC
5080 Highlands Pkwy S. A150
Smyrna, GA 20082
770-438-9797

HAWAII

Commercial Appliance
Parts & Service Co.
1623 Democratic St.
Honolulu, HI 96819
808-841-4545

IDAHO

Boise Appliance
1503 Main Street
Boise, ID 83702
208-343-0102

ILLINOIS

Eichenauer Food Equipment
130 S. Oakland Ave.
Decatur, IL 62522
217-429-4229

General Parts Inc
248 James Street
Bensenville, IL 60106
630-595-3300

Rescor
5344 East Ave.
Countryside, IL 60525
708-352-3155

INDIANA

GCS
5310 East 25th Street
Indianapolis, IN 46218
317-545-9655

IOWA

Goodwin-Tucker
2900 Delaware Ave
Des Moines, IA 50137
515-262-9308

KANSAS

General Parts, Inc.
1101 E. 13th Street
Kansas City, MO 64110
816-421-5400

KENTUCKY

GCS
4204 S. Brook Street
Louisville, KY 40214
502-367-1788

GCS
533 A Codell Drive
Lexington, KY
859-269-7484

LOUISIANA

Chandler's Parts & Service
11656 Darryl Drive
Baton Rouge, LA 70815
225-272-6620

MARYLAND

Electric Motor Repair CO.
700 East 25th Street
Baltimore, MD 21218
410-467-8080

MASSACHUSETTS

Ace Service Co. Inc.
95 Hampton Ave.
Needham (Boston), MA 02194
617-449-4220

MICHIGAN

E & G Appliance Service Co.
1435 Lawndale Ave.
Detroit, MI 48209
313-842-2252

Midwest Food Equipment Serv.
3055 Dixie
Grandville, MI 49418
616-261-2000

MINNESOTA

GCS
2857 Louisiana Ave. North
Minneapolis, MN 55427
763-546-4221

MISSISSIPPI

Camp Service & Parts Inc.
328 B Oakdale Street
Jackson MS 39201
601-353-9700

MISSOURI

Kaemmerlen Parts & Service
2728 Locust Street
St. Louis, MO 63105
314-535-2222

NEBRASKA

Goodwin-Tucker Group
7535 D Street
Omaha, NE 68124
402-397-2880

NEVADA

Burney's Commercial Service
4480 Aldebaran Ave.
Las Vegas, NV 89103
702-736-0006

NEW MEXICO

R & B Service
4412 Towner N.E.
Albuquerque, NM 87110
505-889-4090

NEW YORK

Acme American Repairs Inc.
99 Scott Ave.
Brooklyn, NY 112237
718-456-6544

Duffys Rest. Equip. Service
3138 Oneida Street
Sauquoit (Utica), NY 13456
315/737-9401

NORTH CAROLINA

Authorized Appliance Service
1020 Tuckaseegee Road
Charlotte, NC 28208
704/377-4501

OHIO

Akron Restaurant Equipment
1169 W. Waterloo Road
Akron, OH 44314
330/753-6635

Commercial Parts & Service
6940 Plainfield Road
Cincinnati, OH 45236
513-984-1900

Electrical Appliance Repair
5805 Valley Belt Road
Cleveland, OH 44131
216-459-8700

OKLAHOMA

Krueger Electric Service Inc.
100 N.E. 24th Street
Oklahoma City, OK 73105
405-528-8883

OREGON

Ron's Service Inc.
16364 S.W. 72nd Ave.
Portland, OR 97224
503-624-0890

PENNSYLVANIA

American Kitchen Mach. Corp.
204 Quarry Street
Philadelphia, PA 19106
215-627-7760

GCS
210 Vista Park Dr.
Pittsburgh, PA 15205
412-787-1970

K & D Parts
1833-41 N. Cameron Street
Harrisburg, PA 17103
717-236-9039

SOUTH CAROLINA

Whaley Foodservice Repairs
137 Cedar Road
Lexington, SC 29171
803-996-9920
800-877-2662

TENNESSEE

A-Tech Inc
424 Sixth Avenue South
Nashville, TN 37203
615-255-2002

FESCO
1209 S. Watkins
Chattanooga, TN 37404
423-624-3381

GCS
3717 Cherry Road
Memphis, TN 38118
901-366-4587

TEXAS

Commercial Kitchen Repair
1377 N. Bravos
San Antonio, TX 78207
210-735-2811

Kenco Service
26 Lyerly - Suite 1
Houston, TX 77022
713-691-2935

Stove Parts Supply Co.
2120 Solana
Fort Worth, TX 76117
817-831-0381

UTAH

LaMonicas Restaurant
Equipment Service
6182 South Stratler
Murray, UT 84107
801-263-3221

VERMONT

Authorized Appliance
74th River Street
Rutland, VT 05701
802-775-5588

VIRGINIA

Daubers Inc.
7645 Dynatech Court
Springfield, VA 22153
703-866-3600

WASHINGTON

Walsh Equipment Repair
1519 128th Place N.E.
Bellevue, WA 98005
425-462-1645

WEST VIRGINIA

Authorized Factory Service
Edens Fork Exit I 77
Charleston, WV 53186
304-344-8225

WISCONSIN

General Parts Inc.
W223 N. 735 Saratoga Dr.
Waukesha, WI 53186
262-650-6666

ALBERTA

Great West Comm. Kit. Rep.
5664 Burleigh Cresc. S.E.
Calgary, AB T2H 1Z8
Tel: 403-276-7832

L.D.I. Technical Services
4 – 3600 21st St. N.E.
Calgary, AB T2E 6V6
Tel: 403-299-9591

North Star Repair
11518 119th Street
Edmonton, AB T5G 2X7
Tel: 780-453-6213

Robertshaw Refrigeration
P.O. Box 840
Cold Lake, AB T9M 1P2
Tel: 780-914-3488

Re-Nu Mechanical Ltd.
1710 Bay F – 31st St. N.
Lethbridge, AB T1H 5H1
Tel: 403-327-7368

Medicine Hat Refrigeration
666 17th Street S.W.
Medicine Hat, AB T1A 4X7

Satellite Mechanical Ltd.
#1 – 5571 45th Street
Red Deer, AB T4N 1L2
Tel: 403-343-6122

BRITISH COLUMBIA

Key Food Equip. Services
180 – 3700 North Fraser
Burnaby, BC V5J 5H4
Tel: 604-433-4484

Marsh & Sons Ventures
10411 – 95th Avenue
Fort St. John, BC V1J 5Z4
Tel: 250-787-9733

J.D. Appliance Repairs
1965 Moss Crt.
Kelowna, BC V1Y 9L3
Tel: 250-860-5057

Jemco Food Equip. Service
7431 Industrial Road
Lantzville, BC V0R 2H0
Tel: 250-390-3244

Sheridan Appliances
764 Chaparral Place
Kamloops, BC V2C 5W4
Tel: 250-314-1722

Mark's Rest. Services
515 Dupplin Road, #3
Victoria, BC V8Z 1C2
Tel: 250-475-6275

Key Food Services
2740 Bridge St., #105
Victoria, BC V8T 5C5
Tel: 250-920-4888

Triumph Food Equip. Service
4671 Slocan Street
Vancouver, BC V5R 1Z8
Tel: 604-454-9326

MANITOBA

Grand Valley Mechanical
360 Park Avenue E.,
Brandon, MB R7A 6N2
Tel: 204-728-3898

Commercial Kitchen Equip.
731 Wall Street
Winnipeg, MB R3G 2T6
Tel: 204-586-8273

Res Tech Service Ltd.
593 Sherburne Street
Winnipeg, MB R3G 2K8
Tel: 204-228-5399

NEW BRUNSWICK

D & L Electric
83 Sister Green Road
Campbellton, NB E3N 3Y5
Tel: 506-753-5076

Electrical & Refrigeration Serv.
88 Beaverbrook Street
Moncton, NB E1C 8H7
Tel: 506-857-2232

EMR
122 Driscoll Avenue
Moncton, NB E1E 3R8
Tel: 506-855-4228

I Line Electric Ltd.
280 Dalton Avenue
Miramichi, NB E1V 3N9
Tel: 506-622-2214

Fundy Gas & Electric
45 Glen Road
Saint John, NB E2H 2C9

NEWFOUNDLAND

Bob's Electric
14 Cooks Avenue
Cornerbrook, NF A2H 1P1
Tel: 709-634-7588

Domestic Service Centre
27 McCurdy Drive, P.O. Box 83
Gander, NF A1V 1W5
Tel: 709-256-7738

Harold Snow & Son Ltd.
451 Kenmount Road
St-John's, NF A1B 3P9
Tel: 709-754-0330

NOVA SCOTIA

Jerome Cameron
R.R. #5, Salt Springs
Antigonish, NS B2G 2L3
Tel: 902-863-4528

Harry Rhyno Refrigeration
233 North Street
Bridgewater, Lun. Co. NS
B4A 2V7
Tel: 902-543-4737

Walker's Electric
2608 Windsor Street
Halifax, NS B3K 5C8
Tel: 902-454-0291

NOVA SCOTIA Continued

Buddens Appliance Service
164 Nichols Avenue
Kentville, NS B4N 2H6
Tel: 902-678-7895

J.R. Mahoney Ltd.
1810 Kings Road
Sydney, NS B1L 1C5
Tel: 902-564-8775

Syd Tech Appliances
Box 1907
Sydney, NS B1P 6W4
Tel: 902-561-0156

Fundy Appliance Service
Truro, NS B2N 5B3
Tel: 902-897-0479

ONTARIO

OFS Restaurant Appl. Serv.
16 Lennox Dr., R.R. #2
Barrie, ON L4M 4S4
Tel: 705-728-5289

ChemMark
52 Highway 17, P.O. Box 371
Chalk River, ON K0J 1J0
Tel: 613-584-2988

Kitchenworks Rest. Equip. Sup
R.R. #5, 823974 Massie Rd.
Chatsworth, ON N0H 1G0
Tel: 519-794-3633

G.R. Garrity
39 Regal Road
Guelph, ON N1K 1B6
Tel: 519-836-1090

Barbers Rest. Eq. & Repairs
927 Barton Street E.
Hamilton, ON L8L 3C4
Tel: 905-527-2525

J.I.K.S. Ind. Kitchen Serv.
42 Groff Place, #4
Kitchener, ON N2E 2L6
Tel: 519-748-5361

R.G. Henderson & Son Ltd.
660A Justus Drive
Kingston, ON K7M 4H4
Tel: 613-384-1718

A-1 Plumbing & Heating
P.O. Box 414
Ilderton, ON N0M 2A0
Tel: 519-455-6559

Action Rest. & Serv. Equip.
151 Bentley Street, #9
Markham, ON L3R 3L1
Tel: 905-475-1499

Stell Mechanical
25 Iron Street
Etobicoke, ON M9W 5E3
Tel: 905-569-8270

Repco Restaurant Equip.
9208 Lundy's Lane
Niagara Falls, ON L2E 6S4
Tel: 905-358-9071

ONTARIO Continued

Blanchfield Comm. Kit. Serv.
770 Industrial Ave., Unit 13
Ottawa, ON K1G 4H3
Tel: 613-737-6632

McNabb Appliances
370 Burnham Street
Peterborough, ON K9H 1T6
Tel: 705-743-5350

Erlmar Plumbing Ltd.
795 Batory Avenue
Pickering, ON L1W 2W5
Tel: 905-420-5252

Sure-Fix Food Equip. Serv.
52 Vine Street S.
St. Catharines' ON L2R 3X8
Tel: 905-685-0480

W.J. Barnes & Son
116 Talford Street
Sarnia, ON N7T 7J2
Tel: 519-332-1770

Sault Rapid Repair
1496 Wellington St. E.
Sault Ste. Marie, ON P6A 2R1
Tel: 705-759-3311

Tisdale Plumbing & Heating
40 Golden Avenue
South Porcupine, ON P0N 1H0
Tel: 705-235-4045

Sudbury Rapid Service
23 Main Street
Chelmsford, ON P0M 1L0
Tel: 705-671-6477

Jemm Service
1211 Ford Street
Thunder Bay, ON P3A 4R8
Tel: 807-623-7851

R.G. Henderson & Son Ltd.
100 Thorncliff Park Dr.
Toronto, ON M4H 1G9
Tel: 416-423-4357

P.E.I.

Waites Enterprises
626 South Drive
Summerside, PEI C1N 3Z7
Tel: 902-436-7509

QUEBEC

Choquette CKS
8487 19th Avenue
Montreal, QC H1Z 4J2
Tel: 514-723-5000

L. Chasse Inc.
448 Richelieu
Pointe au Pic, QC G5M 1C9
Tel: 418-723-9100

Majella Vaillancourt
82 St. Cyrille
Riviere de Loup, QC G5R 2G8
Tel: 418-862-2503

QUEBEC

Electro Ref. Service Ent.
161 Pere Divet
Sept-Iles, QC G4R 3P8
Tel: 418-962-9186

Kitchen Equipment Services
893 King Street W.
Sherbrooke, QC J1H 1R9
Tel: 819-821-2153

Choquette CKS
900 Pierre Bertrand, #220
Ville Vanier, QC G1M 3K2
Tel: 418-681-3944

SASKATCHEWAN

Comfort Mechanical
1355 11th Avenue
Regina, SK S4P 0G8
Tel: 306-352-0544

Northcote Sales & Serv. Co.
1327 Hamilton Street
Regina, SK S4R 2B6
Tel: 306-525-1979

Evan's Restaurant Serv.
410 Lauriston Street
Saskatoon, SK S7K 0R5
Tel: 306-653-2772

YUKON

Oscar's Electric
310 Alexander St.
Whitehorse, YK Y1A 2L6
Tel: 867-667-2330

Yukon Appliance Sales & Serv.
9041 Quartz Road
White Horse, YK Y1A 4Z5
Tel: 867-668-4844

Notes



Date of Installation _____

Serial No. _____

Model No. _____

Limited Warranty

Your new Blakeslee peeler is warranted for one year from date of installation shown above against defective materials and workmanship. If any defects are found within the warranty period; parts, and labor involved with their replacement will be covered free of charge. Service must be performed by a Blakeslee authorized service agency. All labor to be performed during regular working hours. Overtime premium will be charged to the customer. All warranty parts are shipped by surface transportation. If other means of transportation is requested the customer is required to pay the premium. This warranty does not apply to damages resulting from errors in installation on the part of other contractors, nor does it apply to machines which have been subject to accident, misuse, or abuse. It is understood that Blakeslee's warranty obligation with respect to machines located outside of the United States or located in the state of Alaska is limited to the furnishing of replacement parts only. In the state of Hawaii, repair labor is provided free of charge; travel time and expenses paid by the customer. On the island of Oahu, repair labor, travel time and expenses are provided free of charge. This is the entire and only warranty of Blakeslee. We neither assume nor authorize anyone else to assume for us any other obligation or liability in connection with Blakeslee Machines.

- In no case can this warranty exceed eighteen (18) months from the date of shipment from our plant at Chicago, Illinois