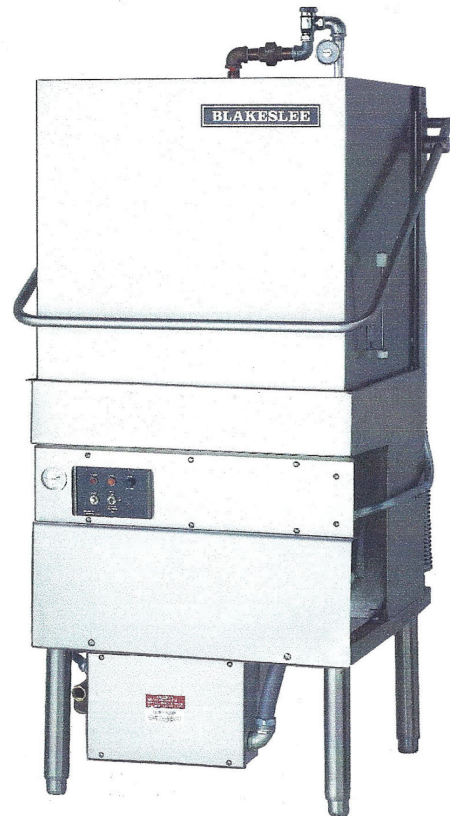


Illustrated Parts List

D-8 & DD-8 DISHWASHERS



ELECTRICAL WARNINGS

THIS MANUAL HAS BEEN PREPARED FOR PERSONNEL QUALIFIED TO INSTALL ELECTRICAL EQUIPMENT, WHO SHOULD PERFORM THE INITIAL FIELD STARTUP AND ADJUSTMENTS OF THE EQUIPMENT COVERED BY THIS MANUAL.

READ THIS MANUAL THOROUGHLY BEFORE OPERATING, INSTALLING OR PERFORMING MAINTENANCE ON THE EQUIPMENT.



WARNING: Failure to follow all the instructions in this manual can cause property damage, injury or death.



WARNING: Improper installation, adjustment, alteration, service or maintenance can cause property damage, injury or death.



WARNING: Electrical connections should be performed only by a certified professional.



WARNING: Electrical and grounding connections must comply with the applicable portions of the National Electric Code and/or all local electric codes. Failure to comply with this procedure can cause property damage, injury or death.



WARNING: Before connecting the unit to the electrical supply, verify that the electrical and grounding connections comply with the applicable portions of the National Electric Code and/or all local electrical codes. Failure to comply with this procedure can cause property damage, injury or death.



WARNING: Before connecting the unit to the electrical supply, verify that the electrical connection agrees with the specifications on the data plate. Failure to comply with this procedure can cause property damage, injury or death.



WARNING: UL73 Grounding Instructions: This appliance must be connected to a grounded, metal, permanent wiring system; or an equipment-grounding conductor must be run with the circuit conductors and be connected to the equipment-grounding terminal or lead on the appliance. Failure to comply with this procedure can cause property damage, injury or death.



WARNING: Appliances equipped with a flexible electric supply cord are provided with a three-prong grounding plug. It is imperative that this plug be connected into a properly grounded three-prong receptacle. Failure to comply with this procedure can cause property damage, injury or death.



WARNING: If the receptacle is not the proper grounding type, contact an electrician. Do not remove the grounding prong from the plug. Failure to comply with this procedure can cause property damage, injury or death.



WARNING: Before performing any service that involves electrical connection or disconnection and/or exposure to electrical components, always perform the Electrical LOCKOUT/TAGOUT Procedure. Disconnect all circuits. Failure to comply with this procedure can cause property damage, injury or death.



WARNING: Before removing any sheet metal panels, always perform the Electrical LOCKOUT/TAGOUT Procedure. Be sure all circuits are disconnected. Failure to comply with this procedure can cause property damage, injury or death.



WARNING: Do not operate this equipment without properly placing and securing all covers and access panels. Failure to comply with this procedure can cause property damage, injury or death.



WARNING: Do not use or store gasoline or other flammable vapors or liquids in the vicinity of this or any other appliance. Failure to comply can cause property damage, injury or death.



WARNING: In the event of a power failure, do not attempt to operate this appliance. Failure to comply can cause property damage, injury or death.

ELECTRICAL LOCKOUT/TAGOUT PROCEDURE



WARNING

Before performing any service that involves electrical connection or disconnection and/or exposure to electrical components, always follow the Electrical LOCKOUT/TAGOUT Procedure. Disconnect all circuits. Failure to comply with this procedure can cause property damage, injury or death.

The Electrical LOCKOUT/TAGOUT Procedure is used to protect personnel working on an electrical appliance. Before performing any maintenance or service that requires exposure to electrical components, follow these steps:

1. In electrical box, place appliance circuit breaker into OFF position.
2. Place a lock or other device on electrical box cover to prevent someone from placing circuit breaker ON.
3. Place a tag on electrical box cover to indicate that appliance has been disconnected for service and power should not be restored until tag is removed by maintenance personnel.
4. Disconnect appliance power cord from electrical outlet.
5. Place a tag on the cord to indicate that unit has been disconnected for service and power should not be restored until tag is removed by maintenance personnel.

TABLE OF CONTENTS

Base, Tank & Tracks	6
Standpipe, Pump & Drain	8
Door and Lifting Mechanism	10
Door and Lifting Mechanism 008	12
Lower Rinse and Wash Arms	14
Upper Rinse and Fill Plumbing	16
Upper Manifold and Wash Arms	18
Gas Burner Assembly	20
Steam Coil Assembly	22
Steam Injector Assembly	24
Electric Heat	26
Electrical Control Box	28
Electrical Control Box	30
Automatic Tank Fill - Type "C"	32
Electrical Fittings	34
Door Lock (Optional)	36
Machine Mounted Final Rinse Booster	38
Machine Mounted Booster Plumbing and Electrical	40
Limited Warranty	43

IMPORTANT

When ordering parts please specify Machine Model and Serial Number.

Order parts from your local authorized Blakeslee Service Agency or Parts Distributor.

Credit will not be issued for returned piece parts of an assembly.

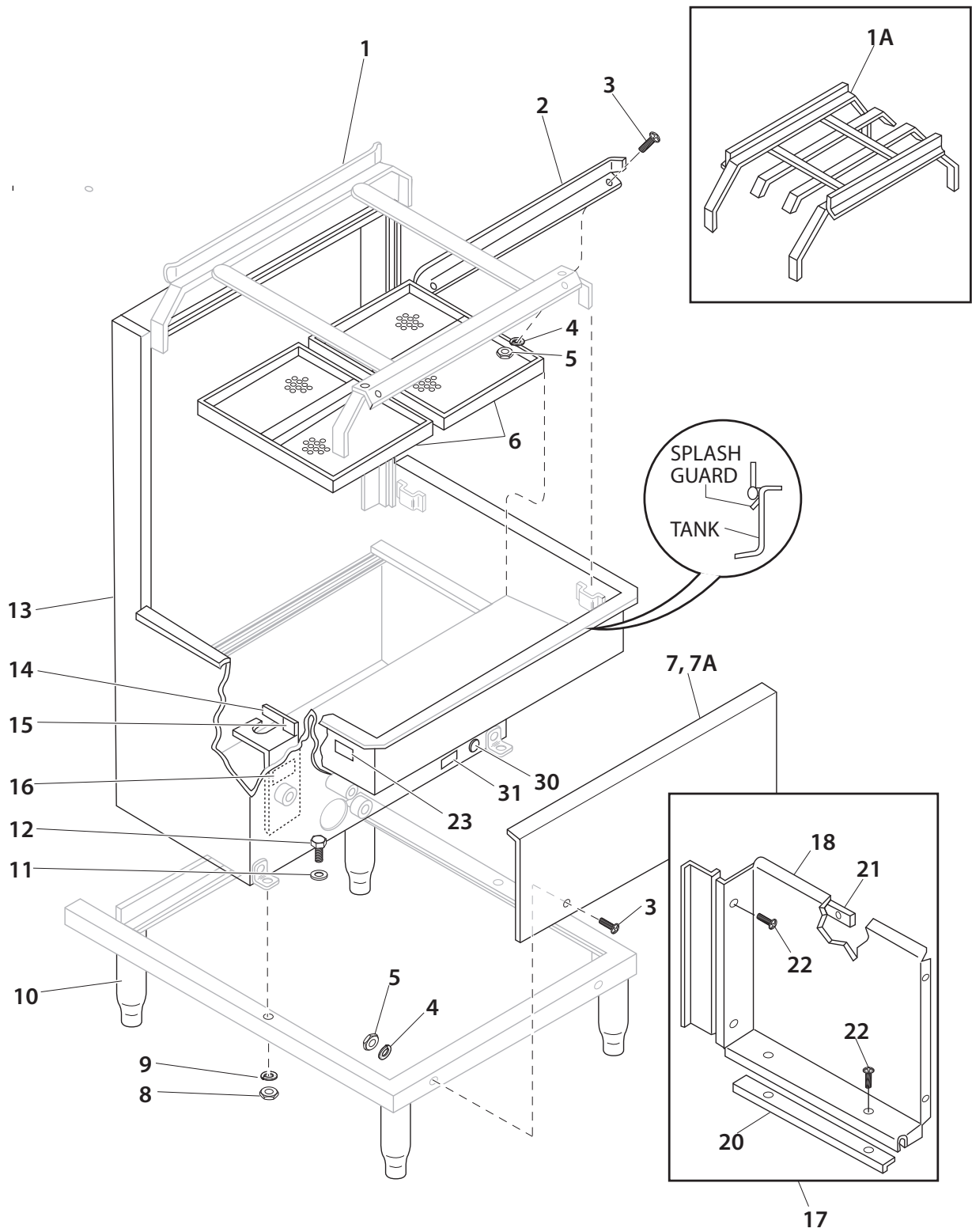


Figure 1. Base, Tank and Tracks

Item No.	Part No.	Description	Qty
1	W-3-13075	Track Assy	1
1A	W-3-97352	Track Assy For 1/2 Racks (Std. in DD8)	1
2	W-2-13072	Interchangeable Track Guide	1
3	W-1-7850	Screw, Truss Hd. 1/4-20 × 1/2" Lg., S/S	4
4	W-1-7007	Lockwasher, 1/4", S/S	4
5	W-1-7146	Nut, Hex 1/4-20, S/S	4
6	W-3-12555	Scrap Tray Assy	2
7	W-1-17810	Front Panel D8	1
7A	W-2-95951	Front Panel DD8	1
8	W-0-14785	Nut, 3/8", Plated	4
9	W-1-17245	Lockwasher, 3/8", Plated	4
10	W-3-12512	Base Assy (Std. S/S)	A/R
11	W-1-7522	Flat Washer, 3/8", Plated	4
12	P-1-17230	Capscrew, 3/8-16 Hex Hd, Plated	4
13	W-3-17841	Tank Assy	1
14	W-1-5629	Rivet, 0.182 Dia. × 11/32 Lg., S/S	1
15	W-1-18649	Lever, Stand Pipe Guide	1
16	W-1-20629	Label, "Close"	1
Optional Items			
17	W-2-13330	Splash Guard Component Assy (For corner model machines)	A/R
18	W-3-13322	Splash Guard	1
19	W-2-13324	Rear Mount, Splash Guard	1
20	W-1-13323	Bottom Mount, Splash Guard	1
21	W-1-13329	Hanging Strip, Splash Guard	1
22	W-1-8491	Screw, Truss Hd., 1/4-20 × 5/8", S/S	4
23	W-1-95041	Warning Label Drain On This Side	1

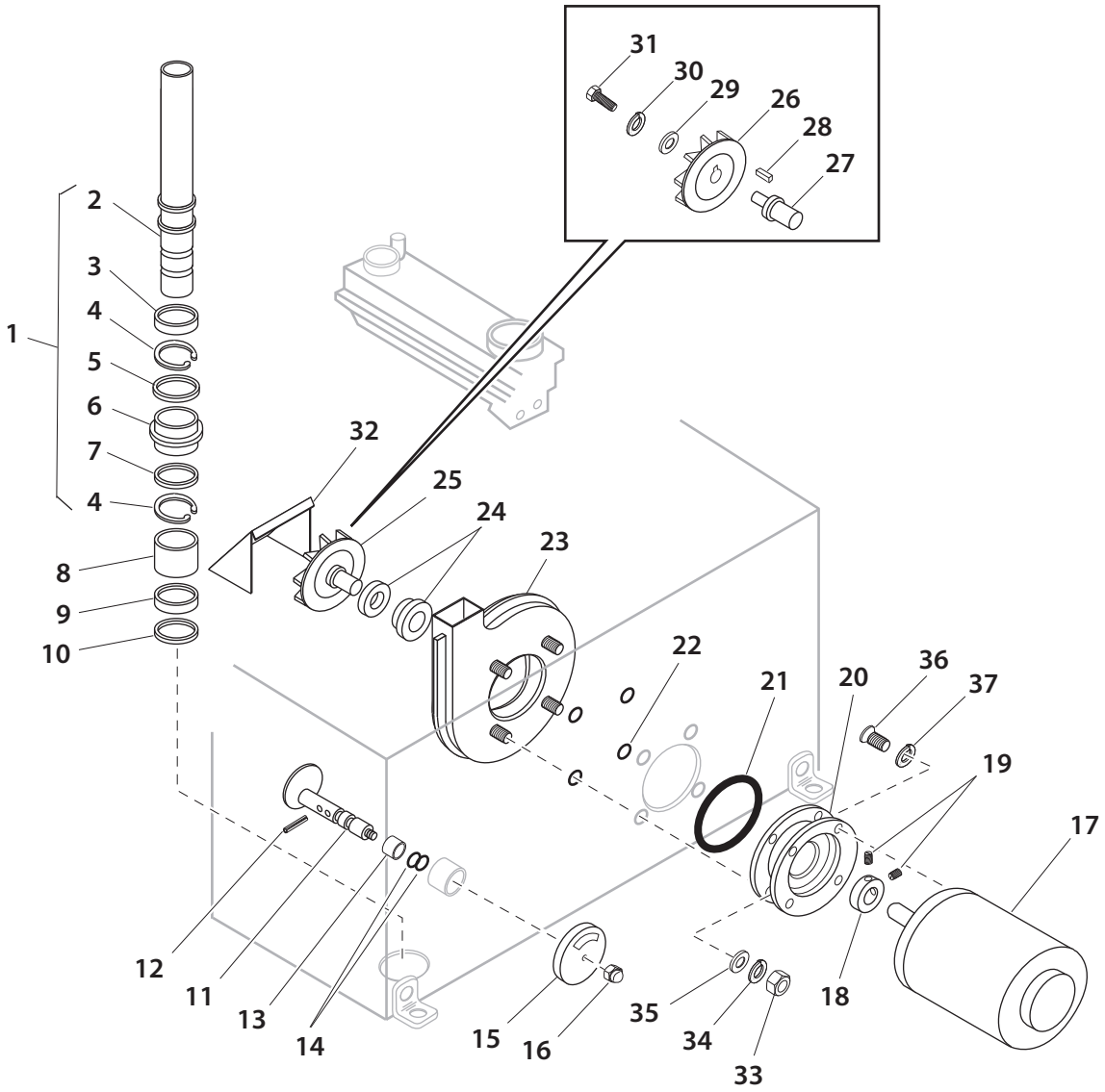


Figure 2. Stand Pipe, Pump and Drain

Item No.	Part No.	Description	Qty
1	W-1-17847	Stand Pipe Assy	1
2	W-1-17837	Stand Pipe	1
3	W-1-18641	Drain Strainer Retainer	1
4	W-0-18647	Retaining Ring	2
5	W-0-18645	Plug Ret, Washer (1-7/8" Dia.)	1
6	W-1-18427	Drain Plug	1
7	W-0-18646	Plug, Ret. Washer (1-1/2" Dia.)	1
8	W-1-18642	Strainer, Drain Seat	1
9	W-1-18644	Ring, Drain Seat	1
10	W-1-18648	Guide Ring, Stand Pipe	1
11	W-1-14802	Cam Shaft Assy	1
12	W-0-14895	Groove Pin, Cam Shaft	2
13	W-1-13905	Spacer, Cam Shaft	1
14	W-1-10340	"O" Ring	2
15	W-1-2924	Knob, Cam Shaft	1
16	W-0-18794	Stop Nut, Elastic 5/16-18	1
17	W-0-17798	Motor, 1.5 H.P., 115/230V, 1 Ph, 60 Hz (Used on 115 and 230 Single Phase machines)	1
17A	W-0-8039	Motor, 1.5 H.P., 208/240, 480 3 Ph, 60 Hz (Used on 208/240/440/480V Three Phase machines)	1
17B	W-0-81140	Motor, 1.5 H.P., 115/230V 1 Ph, 50 Hz (Export only)	1
17C	W-0-81185	Motor, 1.5 H.P., 220/440V 3 Ph, 50 Hz (Export only)	1
18	W-1-17794	Collar, Impeller Shaft	1
19	W-1-7117	Setscrew, 5/16" x 3/8"	2
20	W-4-13087	Bracket, Pump Case and Motor – Used Before 1/98	1
20	74505	Motor Mounting. Bracket – Used After 1/98	1
21	W-0-13088	Quad Ring – Used Before 1/98	1
21	75004	"O" Ring – Used After 1/98	1
22	W-1-13446	"O" Ring	4
23	W-3-14849	Pump Case – Used Before 1/98	1
23	75761	Pump Weldment – Used After 1/98	1
24	W-2-2255	Pump Seal	1
25	W-2-17762	Impeller Assembly, consisting of:	1
26	W-2-95673	Impeller, 5" Dia.	1
27	W-2-95252	Impeller Shaft	1
28	M-1-1658	Key, 3/16 Sq. x 3/4" Lg.	1
29	1-5587	Washer, 11/32 x I.D., 1-1/4 O.D., S/S	1
30	W-1-7598	Lockwasher, 5/16 x 5.5	1
31	W-2-7621	Screw, Hex Hd. Mach., 5/16-18 x 3/4, S/S	1
32	77184	Pump Cover, Intake	1
33	W-0-14785	Nut, Hex 3/8-16 Plated	4
34	P-1-17245	Lockwasher, 3/8", Plated	4
35	W-1-8523	Seal Washer, 3/8"	4
36	P-1-17245	Screw, 3/8-16 x 1" Lg. Hex Hd. Plated	4
37	W-1-7656	Lockwasher, 3/8", Plated	4

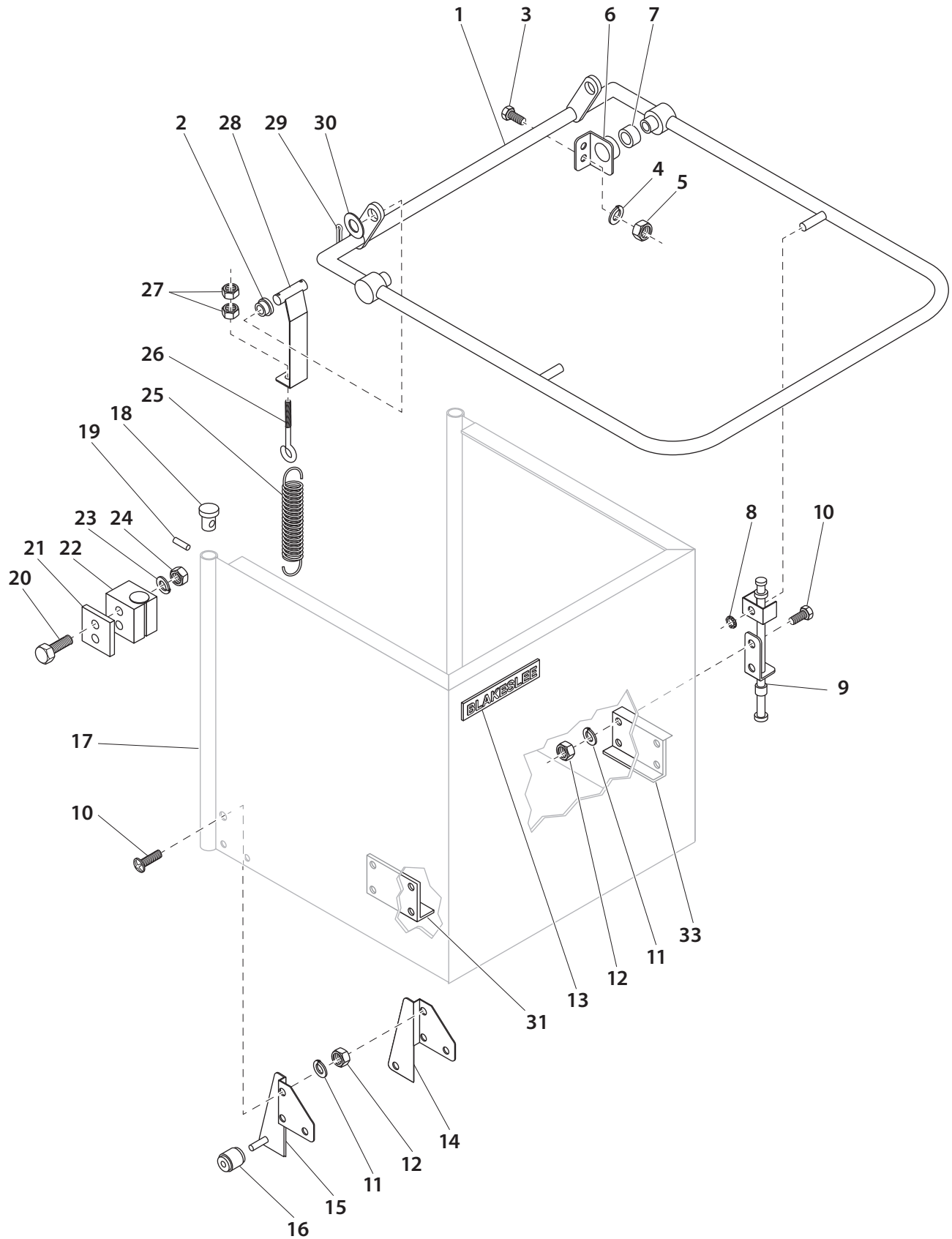


Figure 3. D8 Door and Lifting Mechanism

Item No.	Part No.	Description	Qty
1	W-3-12017	Door Handle Assy	1
2	W-0-16554	Bearing, Oilite Flange	2
3	W-1-8148	Screw, 3/8" x 3/4", S/S Hex Head Bolt	4
4	W-1-7524	Lockwasher, 3/8", S/S	4
5	W-1-5998	Nut, 3/8" Hex, S/S	4
6	W-1-14723	Support Bracket. dOOR Handle	2
7	W-0-14733	Bearing, Oilite Sleeve	2
8	W-0-12015	Retaining Ring, 3/8	2
9	W-1-12023	Linkage Assy, Door	2
10	W-1-7850	Screw, Truss Hd 1/4" x 1/2", S/S	14
11	W-1-7007	Lockwasher, S/S	14
12	W-1-7146	Nut, 1/4" Hex, S/S	14
13	97844	Nameplate, Door	1
14	W-2-13431	Bracket, Roller, R.H.	1
15	W-2-13430	Bracket, Roller, L.H.	1
16	W-1-14720	Roller, Door	2
17	W-3-14708	Door Hood Assy	1
18	W-1-14712	Plug, Bumper	4
19	W-0-17738	Groove Pin, 1/8" Dia. x 1/2" Lg.	4
20	W-1-12607	Screw, 1/4-20 x 1-1/2" Lg., S/S	4
21	W-1-12026	Stiffener, Door Guide	2
22	W-1-12511	Guide, Door	2
23	W-1-7007	Lockwasher, 1/4", S/S	2
24	W-1-7146	Nut, 1/4-20, S/S	2
25	W-1-12987	Spring, Extension	2
26	W-0-14093	Eyebolt	2
27	W-0-14786	Nut, Hex 5/16-18	4
28	W-2-17739	Bracket Assy, Spring	2
29	W-0-16053	Cotter Pin	2
30	W-1-12836	Washer, Flat	2
31	W-1-95829	Splash Shield	2
D8 Tall-	76904	Handle Support	—
—	76905	Handle	—

Item No.	Part No.	Description	Qty
1	W-3-95944	Door Handle Assy	1
2	W-0-16554	Bearing, Oilite Flange	2
3	W-1-8148	Screw, 3/8" x 3/4", S/S Hex Head Bolt	4
4	W-1-7524	Lockwasher, 3/8", S/S	4
5	W-1-5998	Nut, Hex 3/8", S/S	4
6	W-1-14723	Support Bracket, Door Handle	2
7	W-0-14733	Bearing, Oilite Sleeve	2
8	W-0-12015	Retaining Ring, 3/8	2
9	W-1-12023	Linkage Assy, Door	2
10	W-1-7850	Screw, Truss Hd 1/4" x 1/2", S/S	14
11	W-1-7007	Lockwasher, S/S	14
12	7146	Nut, 1/4" Hex, S/S	14
13	97844	Nameplate, Door	1
14	W-2-13431	Bracket, Roller, R.H.	1
15	W-2-13430	Bracket, Roller, L.H.	1
16	W-1-14720	Roller, Door	2
17	W-3-97682	Door Hood Assy	1
18	W-1-14712	Plug, Bumper	4
19	W-0-17738	Groove Pin, 1/8" Dia. x 1/2" Lg.	4
20	W-1-12607	Screw, 1/4-20 x 1-1/2" Lg., S/S	4
21	W-1-12026	Stiffener, Door Guide	2
22	W-1-12511	Guide, Door	2
23	W-1-7007	Lockwasher, 1/4", S/S	2
24	W-1-7146	Nut, 1/4-20, S/S	2
25	W-1-12987	Spring, Extension	2
26	W-0-14093	Eyebolt	2
27	W-0-14786	Nut, 5/16-18 Hex	4
28	W-2-95946	Bracket Assy, Spring	2
29	W-0-16053	Cotter Pin	2
30	W-1-12836	Washer, Flat	2
31	W-1-95829	Splash Shield	1
32	W-1-97687	Handle Rear Tie Weldment (Included with W-3-95944A)	1
33	W-2-95949	Spring Tie Bar	1

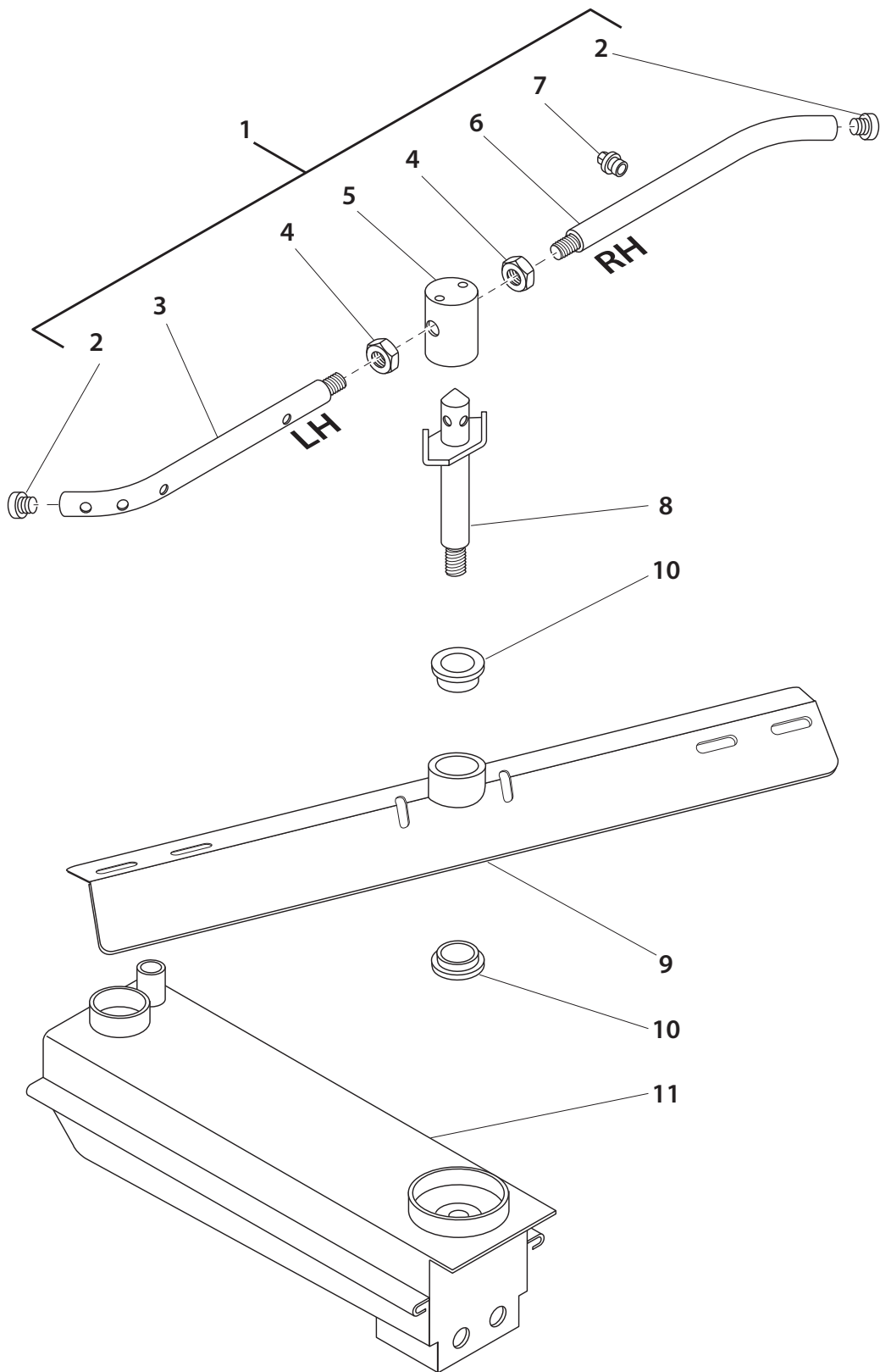


Figure 5. Lower Rinse and Wash Arms

Item No.	Part No.	Description	Qty
1	W-1-72897	Rinse Arm Assy	1
2	W-1-2296	Rinse Plug	2
3	W-2-14513	Rinse Arm, Left	1
4	W-0-14516	Jam Nut, 1/2-20, S/S	2
5	W-1-14515	Revolving Rinse Head	1
6	W-2-14514	Rinse Arm, Right	1
7	W-1-73066	Rinse Flooding Nozzle, Lower	10
8	W-1-2731	Rinse Spindle Assy	1
9	W-3-72900	Wash Rotor Assy	1
10	W-1-20844	Bushing (Used after 1-1-78)	2
11	W-3-14853	Lower Manifold Assy	1

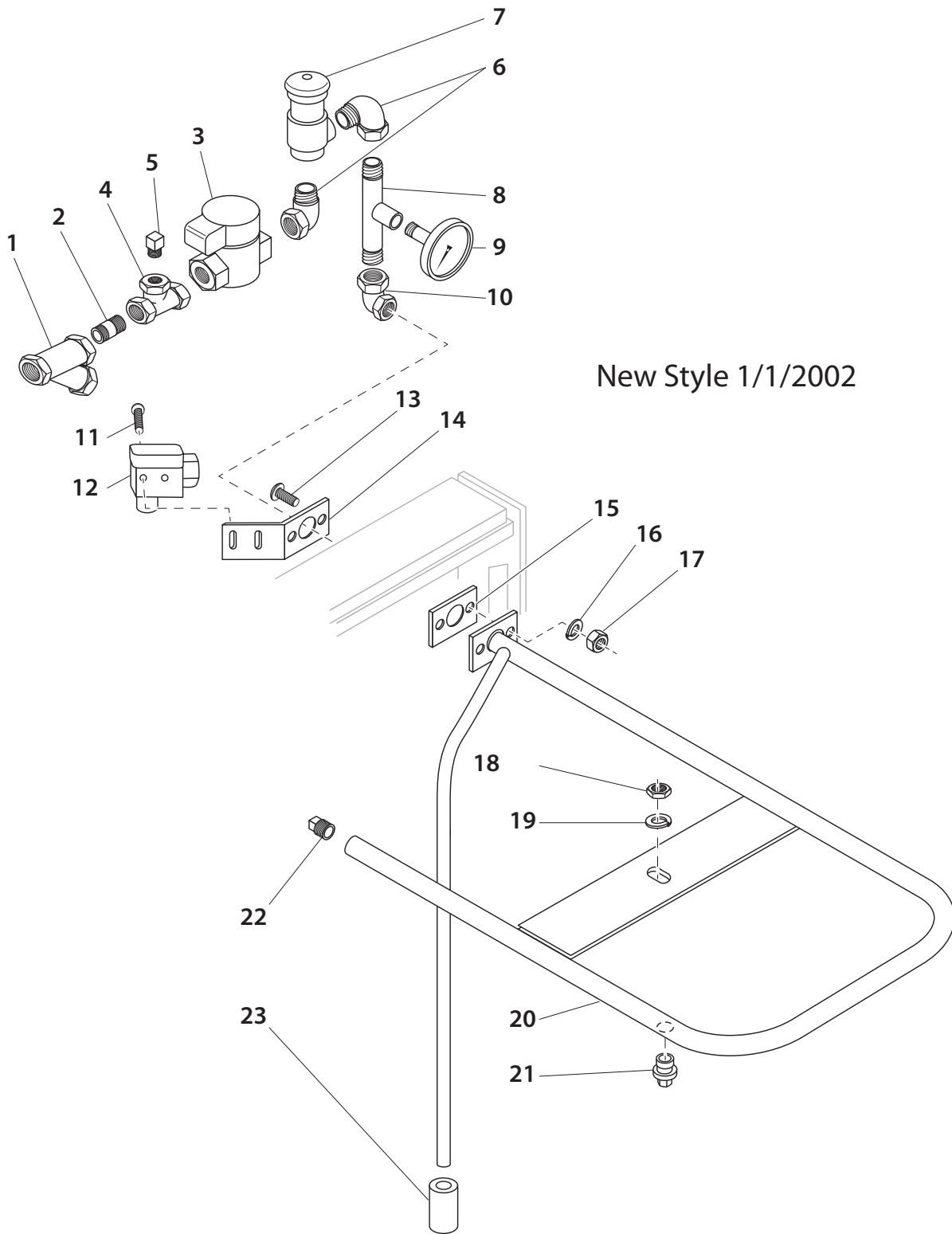


Figure 6. Upper Rinse and Fill Plumbing

Item No.	Part No.	Description	Qty
1	W-1-7026	Strainer, Line	1
1A	W-1-13385	Screen Only, for Line Strainer	A/R
2	W-1-7509	Nipple, Close 3/4"	2
3	W-1-12488	Solenoid Valve, 3/4", 115V	1
4	W-1-7508	Tee, Brass 3/4" x 3/4" x 1/4"	1
5	W-1-7942	Plug, 1/4" Brass	1
6	W-1-7033	Elbow, Street 3/4", 90° Brass	2
7	W-1-5913	Vacuum Breaker (See Note for Repair Kits)	1
8	7127	Tube Assy	1
9	W-0-7802	Thermometer	1
10	W-1-11065	Elbow, Reducer 3/4 - 1/2", 90° Brass	1
11	W-0-18441	Screw	2
12	W-1-7235	Microswitch	1
13	W-1-8067	Screw	2
14	W-1-16892	Bracket, Door Switch	1
15	W-1-12585	Gasket, Upper Rinse	1
16	W-1-7598	Lockwasher, S/S	2
17	W-1-12574	Nut, 5/16-18 Hex	2
18	W-0-14516	Jam Nut, Hex 1/2"-20 UNF, S/S	1
19	W-0-13365	Lockwasher	1
20	72897	Upper Rinse and Fill Line Assy	1
21	W-1-72896	Nozzle, Upper Spray	4
22	W-1-8709	Pipe Cap, 1/2", S/S	1
23	W-1-13433	Sleeve, Rinse Line	1
—	7917	Pressure Gauge (Optional)	—

NOTE: When ordering Vacuum Breaker Repair Kits (W-1-12357 Sloan Valve, W-1-12351 Febco Valve or W-1-14835 Consolidated Valve), please specify if your valve is manufactured by Sloan or Febco. You will find the manufacturers name on the cap.

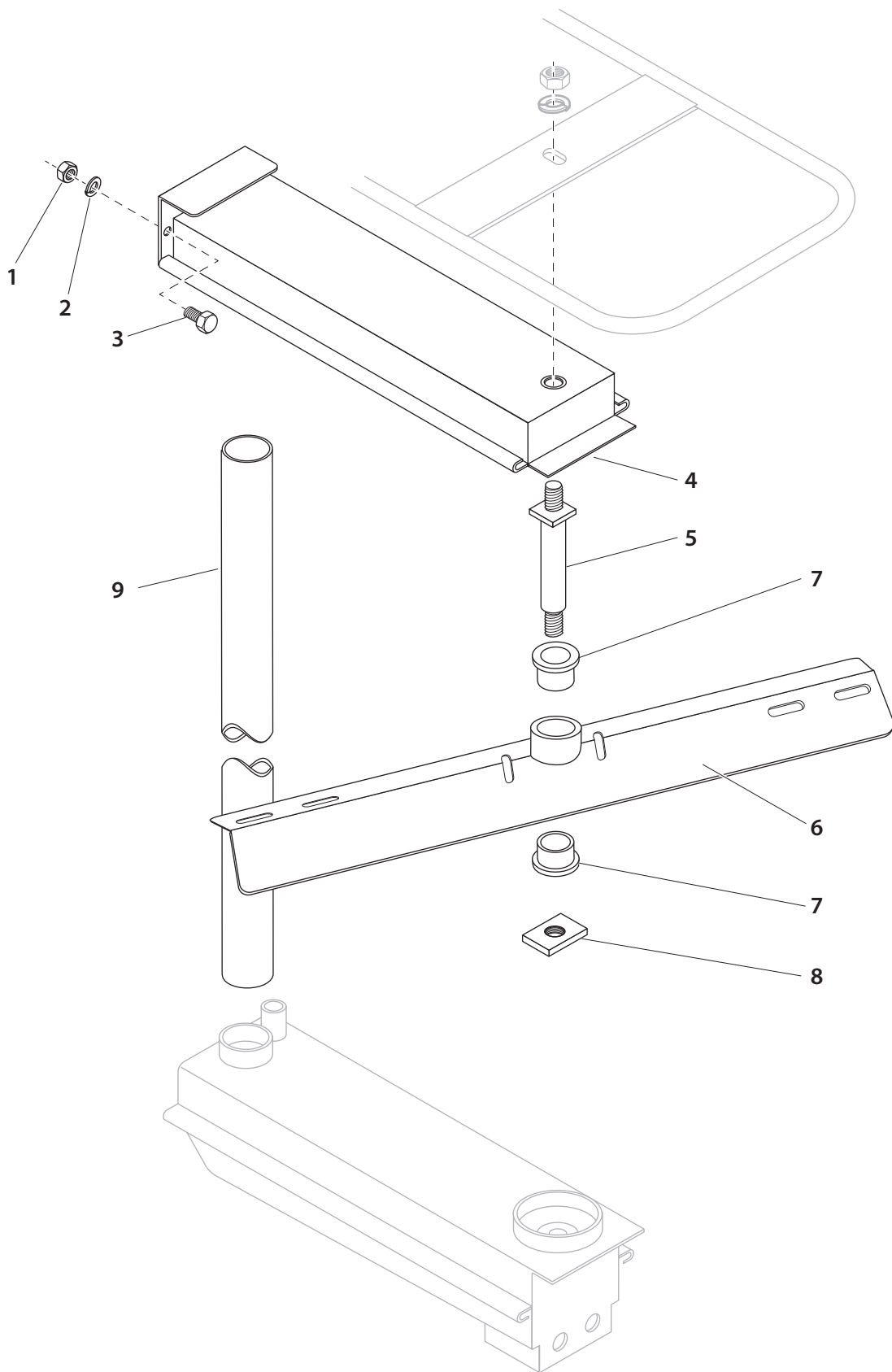
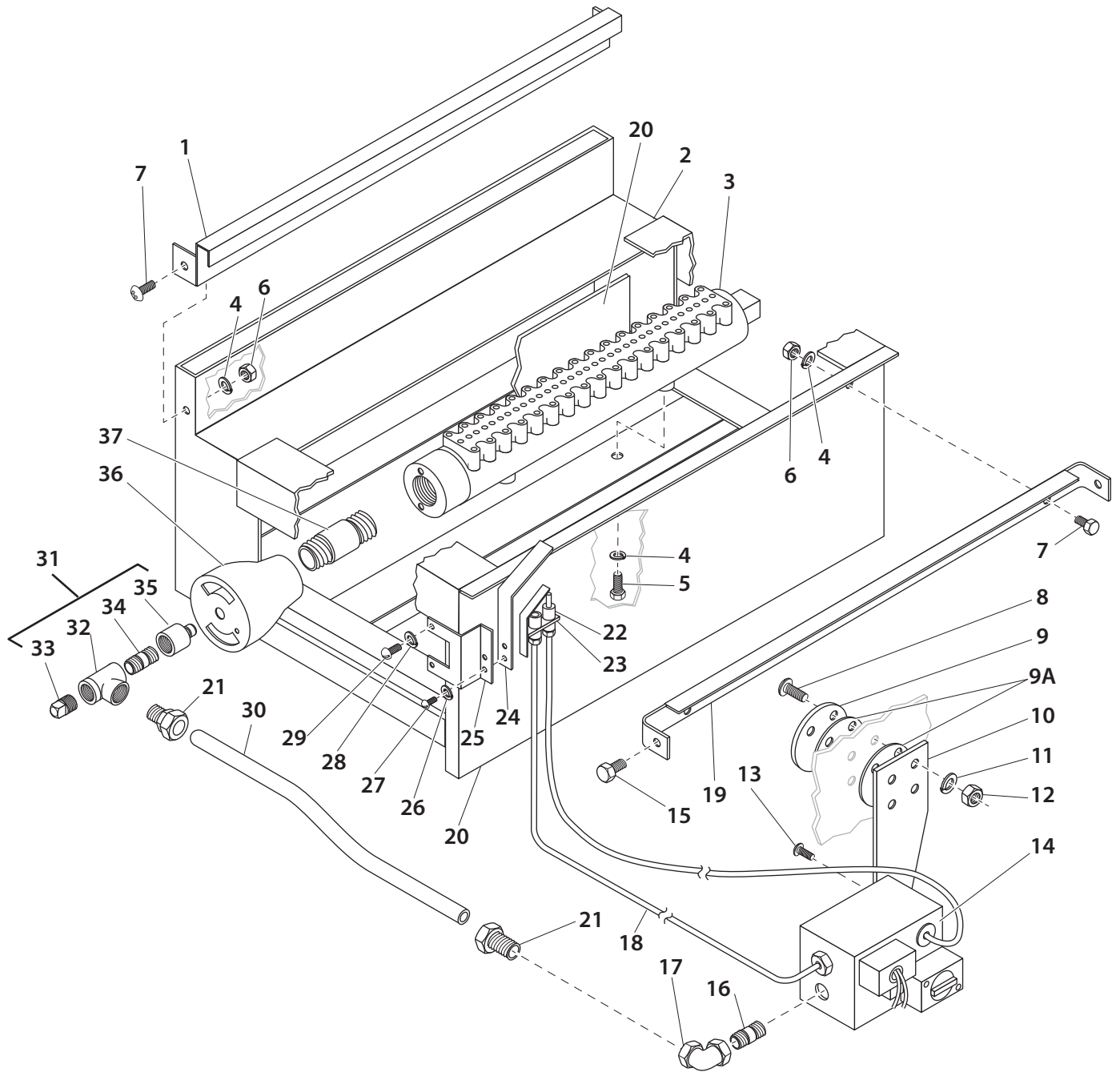


Figure 7. Upper Manifold and Wash Arm

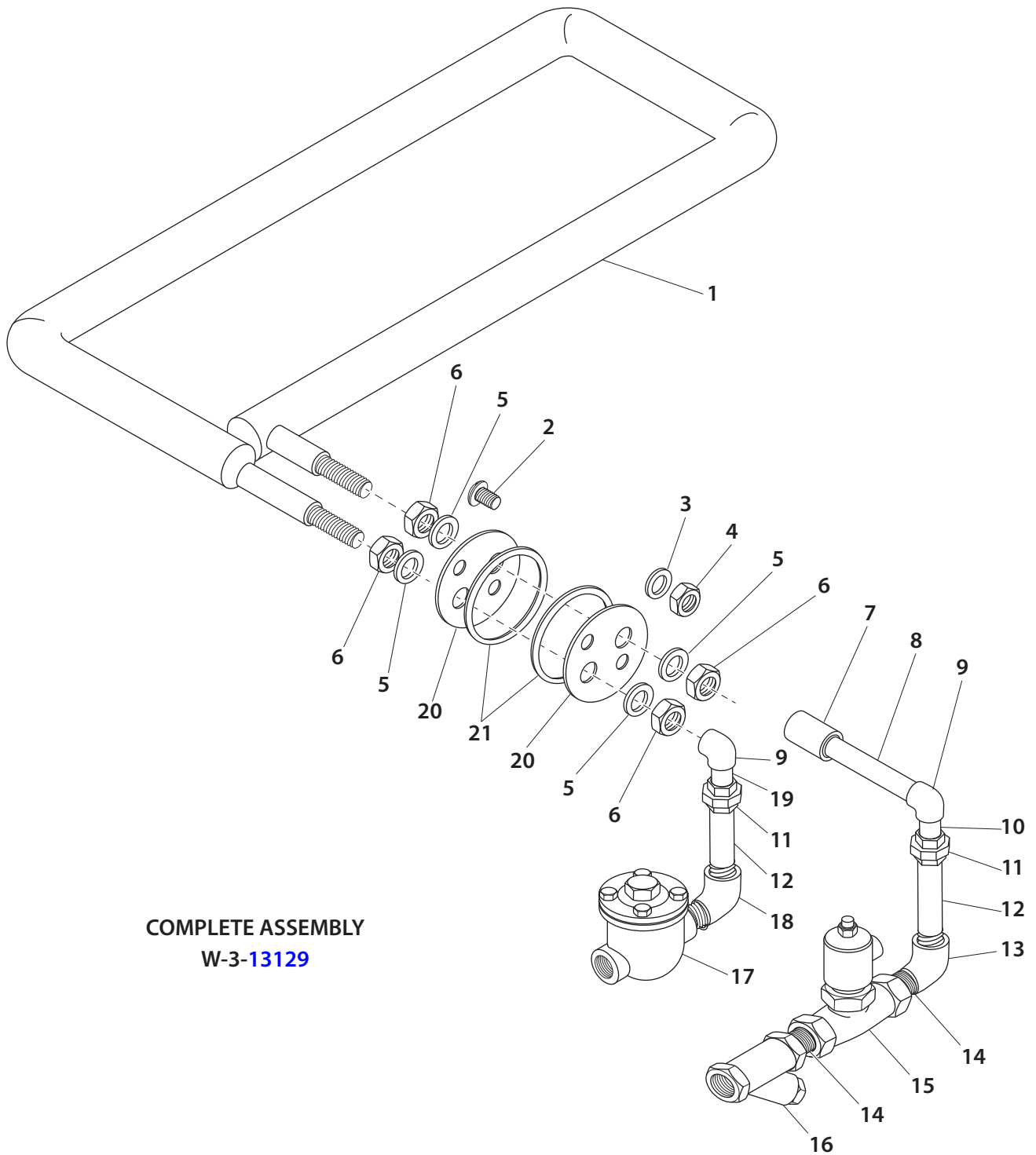
Item No.	Part No.	Description	Qty
1	W-1-12574	Nut. Hex 5/16-18, S/S	2
2	W-1-7598	Lockwasher, 5/16", S/S	2
3	W-1-7621	Screw, Hex Hd. 5/16-18 x 3/4", S/S	2
4	W-3-13081	Manifold Assy, Upper	1
5	W-1-17852	Spindle, Upper Wash	1
6	W-3-72900	Wash Rotor Assy	1
7	W-1-20844	Bushing (Used after 1-1-78)	2
8	W-1-2132	Nut Assy, Wash Arm	1
9	W-1-13559	Supply Pipe, Upper	1



COMPLETE ASSEMBLY
 W-0-17966 NATURAL GAS
 W-0-17967 L.P. GAS

Figure 8. Gas Burner Assembly (W-0-17966, Natural Gas) (W-0-17967, L.P. Gas)

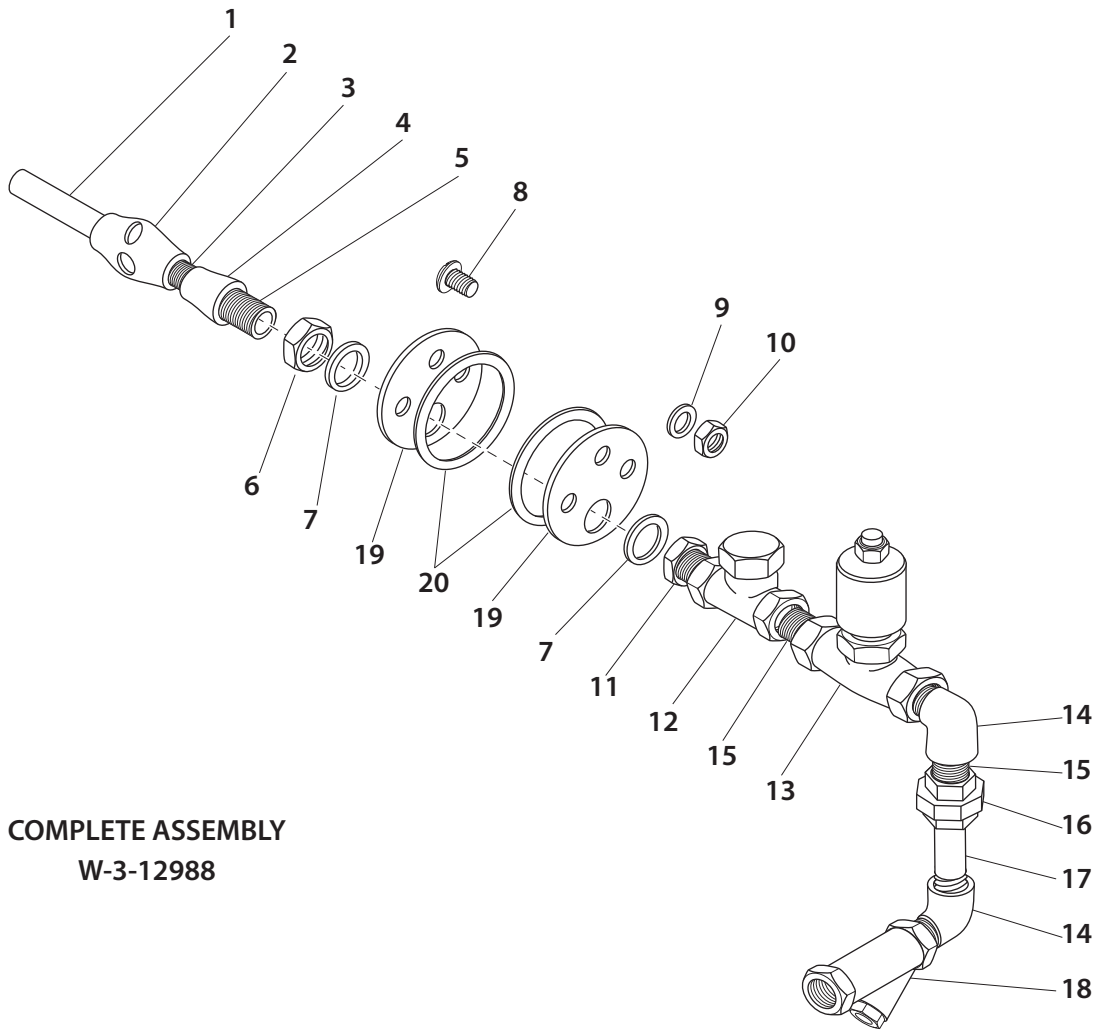
Item No.	Part No.	Description	Qty
1	97007	Rear Support, Gas Burner	1
2	W-3-97706	Flue Assy, (Used on Production Machines Beginning 10-1-81)	1
3	W-4-4575	Burner Assy	1
4	W-1-7023	Lockwasher, 1/4"	10
5	M-1-3571	Screw, Hex Hd. 1/4-20 × 1/2" Lg.	2
6	W-1-7012	Nut, Hex 1/4-20 Cd Pi	10
7	W-1-7582	Screw, Ad Hd. 1/4-20 × 1/2" Lg	10
8	W-0-14185	Screw, Truss Hd. 3/8-16 × 1" Lg., S/S	4
9	W-1-17898	Cover, Heater Hole	1
9A	W-1-2223	Gasket	2
10	W-1-17822	Mounting Plate, Gas Cont. Valve	1
11	W-1-7524	Lockwasher, 3/8", S/S	4
12	W-1-5998	Nut, Hex 3/8", S/S	4
13	W-1-8131	Screw, Round Hd. 10-32 × 1/2" Lg.	2
14	W-0-7705	Control Valve, (for L.P. Gas)	1
14A	W-0-7642	Control Valve, (for Natural Gas)	1
15	W-1-8491	Screw, Hex Hd., 1/4-20 × 3/4" Lg.	2
16	W-0-14824	Nipple, 1/2 × 2" Lg. Black	1
17	W-1-7693	Elbow, Reducing 1/2 to 3/8" - 90° Black	1
18	W-1-7651	Tube, 1/4 × 17" Lg. Alum	1
19	W-2-17817	Front Support, Gas Burner	1
20	W-2-97708	Flue Cover, (Used on Production Machines Beginning 10-1-81)	1
21	W-0-13334	Connector, 1/2" Tube to 3/8" Pipe	2
22	W-1-7650	Thermocouple, 24" Lg.	1
23	W-0-16196	Pilot Burner, (For Natural Gas)	1
23A	W-0-16197	Pilot Burner, (For L.P. Gas)	1
24	W-1-18291	Shield, Pilot	1
25	W-1-17961	Bracket, Pilot and Thermocouple	1
26	W-1-7285	Lockwasher, No. 10	4
27	W-1-10307	Screw, Round Hd. 10-32 × 3/8" Lg.	2
28	W-1-7637	Lockwasher, No. 8 Cd Pi	2
29	W-1-13063	Screw, Round Hd. 8-32 × 3/8" Lg. Cd Pi	2
30	W-0-13335	Tube, Alum. 1/2" × 7-1/2" Lg.	1
31	W-2-75809	Nozzle Assembly, Natural Gas	1
31A	W-2-74094	Nozzle Assembly, L.P. Gas	1
32	W-0-70204	Tee, 3/8", Brass	1
33	W-0-71312	Plug, , 3/8", Brass	1
34	W-0-70395	Nipple, , 3/8", Brass	1
35	W-1-75807	Nozzle, Natural Gas	1
35A	W-1-75809	Nozzle, L.P. Gas	1
36	75746	Mixer Head	1
37	W-1-7634	B. I. Close Nipple	1



COMPLETE ASSEMBLY
W-3-13129

Figure 9. Steam Coil Assembly (W-3-13129)

Item No.	Part No.	Description	Qty
1	W-3-13090	Coil Assy	1
2	W-0-14185	Screw, Truss Hd. 3/8-16 x 1", S/S	2
3	W-1-7524	Lockwasher, Split 3/8", S/S	2
4	W-1-5998	Nut, Hex 3/8-16, S/S	2
5	W-0-17702	Gasket, Copper/Asbestos for 1/2" Pipe	2
6	W-0-14267	Locknut, 1/2" N.P.S.L., Brass Pipe	4
7	W-0-13128	Coupling, 1/2", Black	1
8	W-0-20258	Nipple, 1/2 x 3-1/2" Lg., Black	1
9	W-1-10029	Elbow, 1/2" N.P.T. 90°, Black	2
10	W-1-14824	Nipple, 1/2 x 2" Lg., Black	1
11	W-1-11957	Union, 1/2", Black	2
12	W-0-13127	Nipple, 1/2" x 3" Lg., Black	2
13	W-0-7644	Reducer Elbow, 3/4 to 1/2" - 90°, Black	1
14	W-1-7634	Nipple, Close, 3/4"	2
15	W-1-12085	Solenoid Valve, 115V, 3/4" Steam	1
15a	W-0-17390	Repair Kit, 3/4" Solenoid Valve, (Less Coil)	A/R
15b	W-0-17960	Coil Only, (Steam)	A/R
16	W-1-7026	Strainer, 3/4" Line, Brass	1
16a	W-1-13385	Strainer Screen, (United Brass)	1
16b	W-0-17507	Line Strainer Cap, 3/4"	1
16c	W-0-17506	Line Strainer "O" Ring, 3/4"	1
17	W-0-16877	Steam Trap, 1/2" N.P.T.	1
17a	W-0-18135	Steam Trap, Rebuilding Kit	1
18	W-1-11947	Elbow, Street, 1/2", Black	1
19	W-0-13965	Nipple, 1/2" x 1-1/2", Black	1
20	W-1-13120	Mounting Plate, Steam Coil	2
21	W-1-2223	Gasket, Immersion Heater	2



COMPLETE ASSEMBLY
W-3-12988

Figure 10. Steam Injector Assembly (W-3- 12988)

Item No.	Part No.	Description	Qty
1	W-1-12943	Half Nipple, 3/8 × 2", Brass	1
2	W-1-7027	Injector, Steam, Brass	1
3	W-1-7683	Nipple. Close, 1/4", Brass	1
4	W-1-12986	Coupling, Reducer 1/2" to 1/4", Brass	1
5	W-1-12944	Nipple, 1/2 × 2" N.P.S.L., Brass	1
6	W-0-14267	Locknut, 1/2" N.P.S.L., Brass Pipe	1
7	W-0-17702	Washer, Copper/Asbestos	2
8	W-0-14185	Screw, Truss Hd. 3/8-16 × 1", S/S	3
9	W-1-7524	Lockwasher, 3/8", S/S	3
10	W-1-5998	Nut, Hex 3/8-16	3
11	W-1-8453	Bushing, Reducer 3/4" to 1/2", Brass	1
12	W-1-7717	Check Valve, 3/4", Brass	1
13	W-1-12085	Solenoid Valve. 3/4" N.P.T., 115V (Steam)	1
13A	W-0-17390	Repair Kit, 3/4" Solenoid Valve (Less Coil)	A/R
13B	W-0-17960	Coil Only (Steam)	A/R
14	W-1-14825	Elbow, Street 3/4" × 90°, Black	2
15	W-1-7634	Nipple, Close 3/4", Black	2
16	W-1-11968	Union, 3/4", Black	1
17	W-0-14268	Nipple, 3/4" × 2", Black	1
18	W-1-7026	Strainer, 3/4" Line, Brass	1
18A	W-1-13385	Strainer Screen (United Brass)	1
18B	W-0-17507	Line Strainer Cap, 3/4"	1
18C	W-0-17506	Line Strainer "O" Ring, 3/4"	1
19	W-1-12954	Mounting Plate, Injector	2
20	W-1-2223	Gasket, Immersion Heater	2

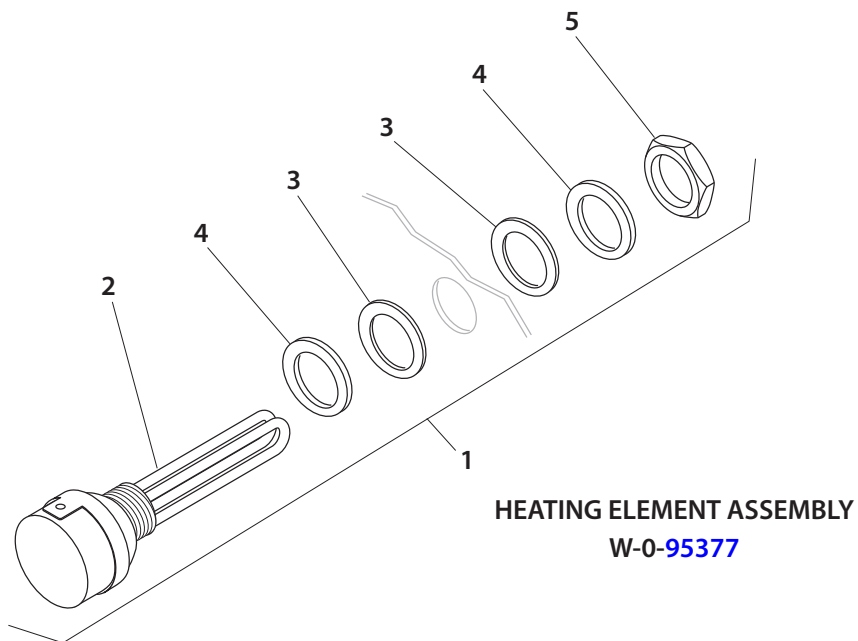
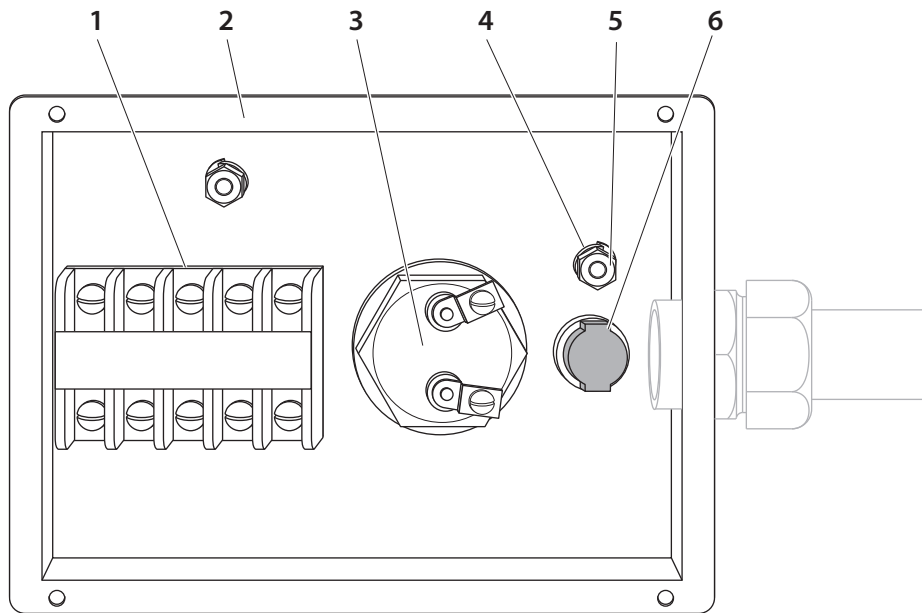


Figure 11. Heating Element Assembly (W-0-95377)

Electric Tank Heat for Front Mounted Heater

Item No.	Part No.	Description	Qty
1	95377	Heating Element Assy (Consists of items 2, 3, 4, and 5)	1
2	18795	Heater, 2.5 kW	1
3	02223	Gasket, Heater	2
4	12024	Washer, Heater, S/S	2
5	12025	Locknut, 2" N.P.T.	1

Electric Tank Heat for Side Mounted Heater Serial No. Suffix BBB

Item No.	Part No.	Description	Qty
1	81201	Terminal Strip Assembly	1
2	77604	Junction Box Weldment	1
3	72688	Heater, 3 kW, 220V, 1p	1
3A	72688	Heater, 3 kW, 208/240V, 3p	1
3B	72689	Heater, 3 kW, 440/480V, 3p	1
4	7007	1/4" Lockwasher	2
5	7146	1/4" Nut	2
6	74602	High Limit Thermostat	1
Not Shown	77601	Junction Box Cover	1

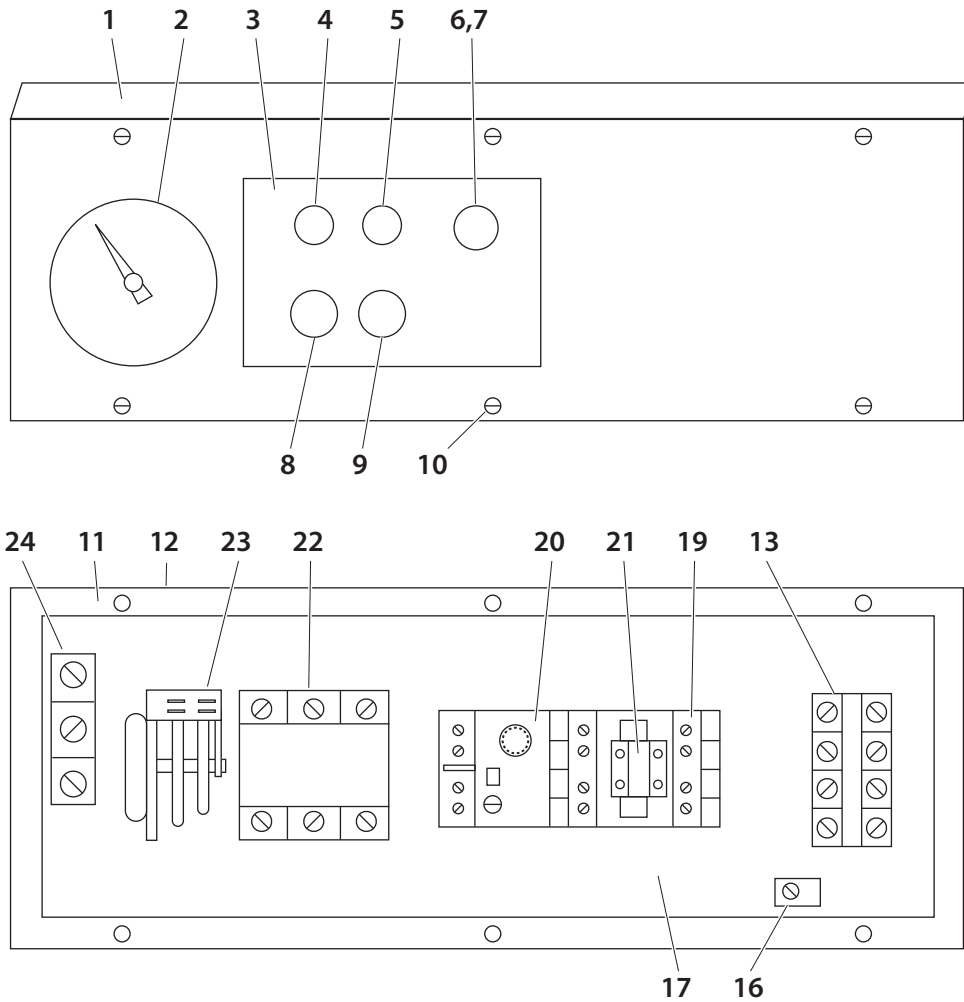


Figure 12. Electrical Control Box for Machines Manufactured from 1/98 to 7/02

Item No.	Part No.	Description	Qty
1	17731	Front Cover	1
2	70155	Thermometer	1
3	17708	Label	1
4	16559	Power Light - Red	1
5	16560	Cycle Light - Amber	1
6	10765	Fuse Holder	1
7	10766	Fuse Slo-Blo, 1-6/10	1
8	07202	Push Button Switch	1
9	14479	Toggle Switch	1
10	05987	Screw, 10-24 × 1/2", S/S, Truss Head Mach.	6
11	17804	Control Box Gasket	1
12	17726	Control Box	1A/R
13	16782	Terminal Block	A/R
*14	15799	Mounting Channel	2
*15	07999	Screw, 8-32 × 3/8"	1
16	74114	Ground Lug	1
17	17716	Chassis Panel	6
*18	17241	Screw, 10-32 × 3/8"	1
19	70192	Motor Contactor	1
20	71605	Overload Relay, 115V, 1p	1
20A	71603	Overload Relay, 230V, 1p	1
20B	71602	Overload Relay	—
20C	71601	Overload Relay, 208/240V, 3p	1
20D	71600	Overload Relay, 440/480V, 3p	1
21	75581	Aux. Contact 2-Pole N/O, 3p	1
22	07209	Heat Contactor	1
23	14480	Timer	1
24	07768	Thermostat	1
**25	18132	Hinge	1
*26	07118	Screw, 1/4-20 × 1/2", S/S, Hex Head Mach.	4
*27	13063	R H.M.S., 8-32 × 3/8"	8
*28	07646	R H.M.S., 10-32 × 3/8"	2
*29	99705	Data Label	1
*30	74123	Warning Label	1
*31	07201	Transformer (440V only)	1
*32	15871	Nylon Clamp	2
Optional Equipment – Automatic Tank Fill for Machines Manufactured before 1/98			
—	74235	Auto Fill Timer	1
—	07202	Fill and Start Push Button	1
—	74241	Switch Label	1
Optional Equipment – Automatic Cycle			
—	73375	Solid State Timer	1
Optional Equipment – Thermal Cycle Extension			
—	73952	Timer – Thermal Cycle Extension	1
—	75452	Solid State Relay	1

* Items not illustrated

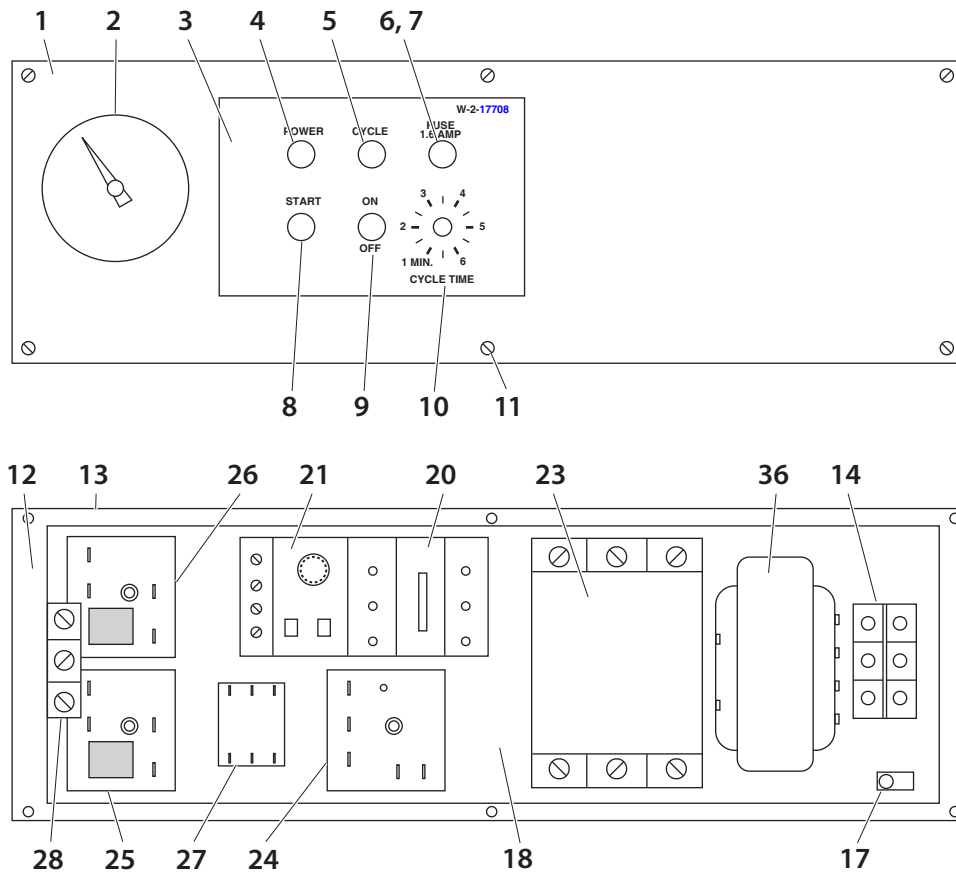


Figure 13. Electrical Control Box for Machines Manufactured After 9/05 with the Optional Multi-Cycle Timer Feature

Item No.	Part No.	Description	Qty
1	17731	Front Cover	1
2	70155	Thermometer	1
3	17708	Label	1
4	16559	Power Light - Red	1
5	16560	Cycle Light - Amber	1
6	10765	Fuse Holder	1
7	10766	Fuse Slo-Blo, 1-6/10	1
8	07202	Push Button Switch	1
9	14479	Toggle Switch	1
10	77954	Rheostat	6
11	05987	Screw, 10-24 × 1/2", S/S, Truss Head Mach.	—
12	17804	Control Box Gasket	1
13	17726	Control Box	1A/R
14	16782	Terminal Block	A/R
*15	15799	Mounting Channel	2
*16	07999	Screw, 8-32 × 3/8"	1
17	74114	Ground Lug	1
18	17716	Chassis Panel	6
*19	17241	Screw, 10-32 × 3/8"	1
20	70192	Motor Contactor	1
21	71605	Overload Relay, 115V, 1p	1
21A	71603	Overload Relay, 230V, 1p	1
21B	71601	Overload Relay, 208/240V, 3p	1
21C	71600	Overload Relay, 440/480V, 3p	1
*22	75581	Aux. Contact 2-Pole N/O, 3p	1
23	07209	Heat Contactor	1
24	74235	Timer TM1 - Auto-Fill	1
25	77953	Timer TM2 - Wash Cycle .49 to 10 min.	1
26	77952	Timer TM3 - Rinse Cycle 11 sec.	1
27	75584	Relay	1
28	07768	Thermostat	1
*29	18132	Hinge	1
*30	07118	Screw, 1/4-20 × 1/2", S/S, Hex Head Mach.	4
*31	13063	R.H.M.S., 8-32 × 3/8"	8
*32	07646	R.H.M.S., 10-32 × 3/8"	2
*33	17708	Name Plate	1
*34	99705	Data Label	1
*35	74123	Warning Label	1
36	07201	Transformer	1
*37	15871	Nylon Clamp	2

* Items not illustrated

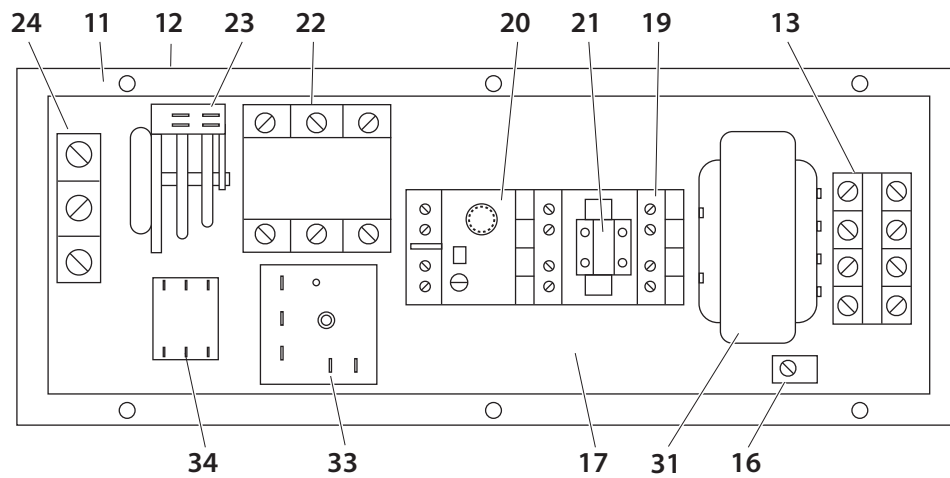
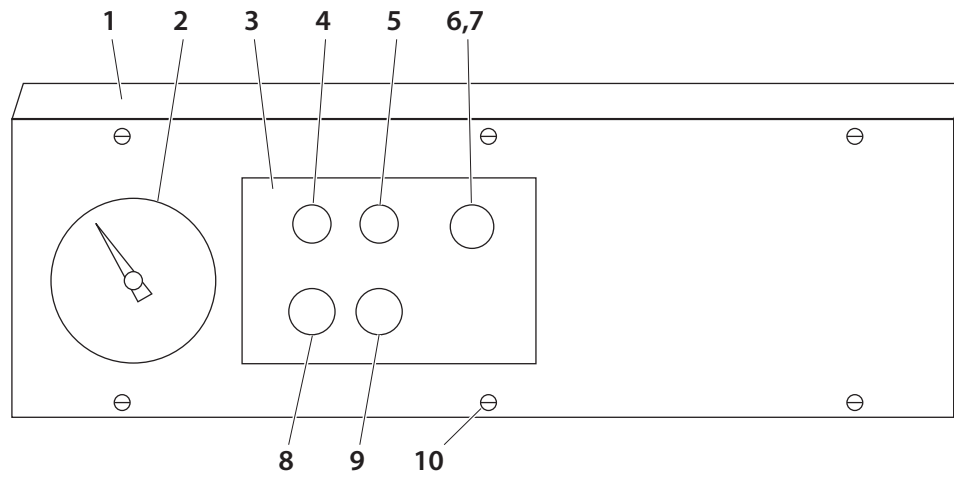


Figure 14. Electrical Control Box for Machines Manufactured After 5/07

Item No.	Part No.	Description	Qty
1	17731	Front Cover	1
2	70155	Thermometer	1
3	17708	Label	1
4	16559	Power Light - Red	1
5	16560	Cycle Light - Amber	1
6	10765	Fuse Holder	1
7	10766	Fuse Slo-Blo, 1-6/10	1
8	07202	Push Button Switch	1
9	14479	Toggle Switch	1
10	05987	Screw, 10-24 × 1/2", S/S, Truss Head Mach.	6
11	17804	Control Box Gasket	1
12	17726	Control Box	1A/R
13	16782	Terminal Block	A/R
*14	15799	Mounting Channel	2
*15	07999	Screw, 8-32 × 3/8"	1
16	74114	Ground Lug	1
17	17716	Chassis Panel	6
*18	17241	Screw, 10-32 × 3/8"	1
19	70192	Motor Contactor	1
20	71605	Overload Relay, 115V, 1p	1
20A	71603	Overload Relay, 230V, 1p	1
20B	71602	Overload Relay	—
20C	71601	Overload Relay, 208/240V, 3p	1
20D	71600	Overload Relay, 440/480V, 3p	1
21	75581	Aux. Contact 2-Pole N/O, 3p	1
22	07209	Heat Contactor	1
23	14480	Timer	1
24	07768	Thermostat	1
**25	18132	Hinge	1
*26	07118	Screw, 1/4-20 × 1/2", S/S, Hex Head Mach.	4
*27	13063	R H.M.S., 8-32 × 3/8"	8
*28	07646	R H.M.S., 10-32 × 3/8"	2
*29	99705	Data Label	1
*30	74123	Warning Label	1
31	07201	Transformer	1
*32	15871	Nylon Clamp	2
33	74235	Auto Fill Timer	1
34	75584	Relay	1

* Items not illustrated

Item No.	Part No.	Description	Qty
1	W-1-18865	Float Switch, Liquid 3 Amp.	
2	W-0-20461	Elbow, Street 1/4", S/S	1
3	W-1-20449	Bushing, Extension	1
4	W-0-18921	Washer, Flat, S/S	2
5	W-0-18866	"O" Ring, 1/2" O.D.	
6	W-0-18928	Locknut, 1/4" Brass	1
7	W-1-7684	Bushing, Reducer 1/2" to 1/4"	1
8	W-1-12830	Elbow, Pulling – 1/2" – 90°	1
9	W-1-7680	Connector, 3/8 – 90° Liquid Tight Connector	2
10	W-0-20466	Conduit, Liquid Tight 3/8" × 6-1/2" Lg.	A/R
11	W-1-7587	Gasket Assy., 1/2"	1
12	W-1-8360	Nut, Drive 1/2"	1

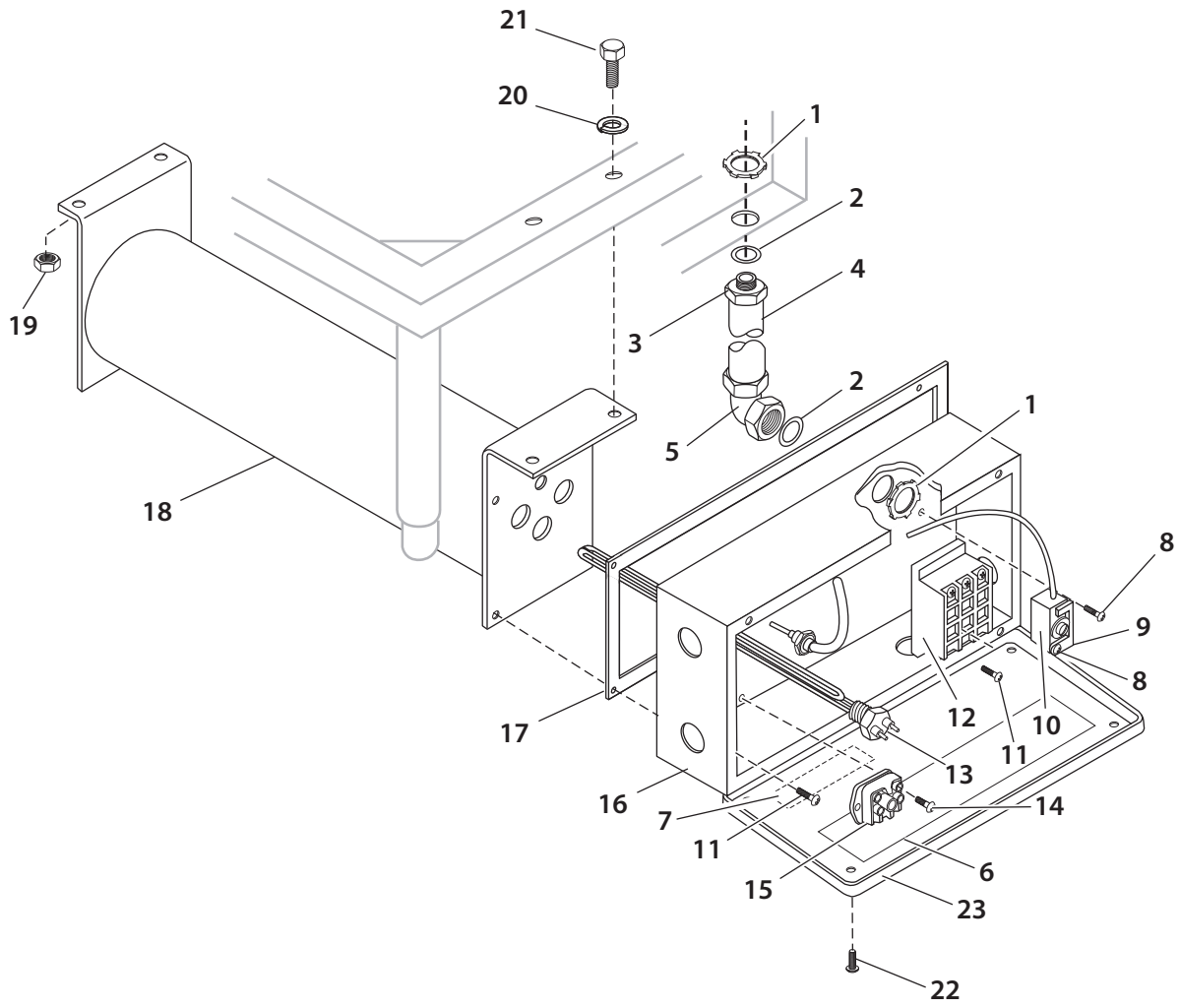


Figure 16. Machine Mounted Final Rinse Booster (Single D8 Only)

Item No.	Part No.	Description	Qty
1	W-1-8360	Locknut, Tiger Grip	2
2	W-1-8587	Gasket, 1/2"	2
3	W-1-7817	Connector, Str. 1/2" Liquid Tight	1
4	See note	Liquid Tight Conduit, 1/2" × 12" Lg.	1
5	W-1-8836	Elbow, 45°, 1/2" Liquid Tight	1
6	72737	Wiring Diagram, Abbrev.	1
7	99705	Data Label	4
8	W-1-8000	Screw, 6-32 × 1/4" Lg. Round Hd.	1
9	W-1-16221	Bracket, Thermostat Mtg.	1
10	W-0-7768	Thermostat, w/Capillary	6
11	W-1-8131	Screw, 10-32 × 1/2" Lg. Round Hd.	1
12	W-1-7210	Contact, 60 Amp. 3 Pole	4
13	—	Heater, Immersion 2.5 kW, See Chart Below	1
14	W-1-8004	Screw, 6-32 × 1/2" Lg. Round Hd.	1
15	74602	Switch, 250" High Limit Cut-Off	1
16	72627	Box, Booster Element	1
17	20912	Gasket Assy, Booster	2
18	72644	Tank Assy, Booster Element 5 Hole (Use 72644 for 3 Hole)	1
19	W-1-7012	Nut, 1/4-20	2
20	W-1-7023	Lockwasher, 1/4"	2
21	M-1-3571	Screw, Hex Hd. 1/4-20 × 1/2" Lg.	2
22	71612	Screw, 10-32 × 1/2" Lg. Round Hd.	4
23	72574	Box Cover	1
*24	16782	Terminal Block	1
NOTE:			
—	W-1-7590	Liquid Tight Conduit, 1/2" (order, feet required)	—

* Items not illustrated

Booster Immersion Heater Chart

Heater Part No.	Voltage	Phase	kW	Amps
72635	208/240	1	12.0	58
72635	208/240	3	12.0	34
72634	440/480	3	12.0	16
72636	208/2110	1	15.0	72
72636	208/240	3	15.0	42
72460	440/480	3	15.0	20
72688	208/240	1	9.0	42
72688	208/240	3	9.0	26
72689	440/480	3	9.0	13

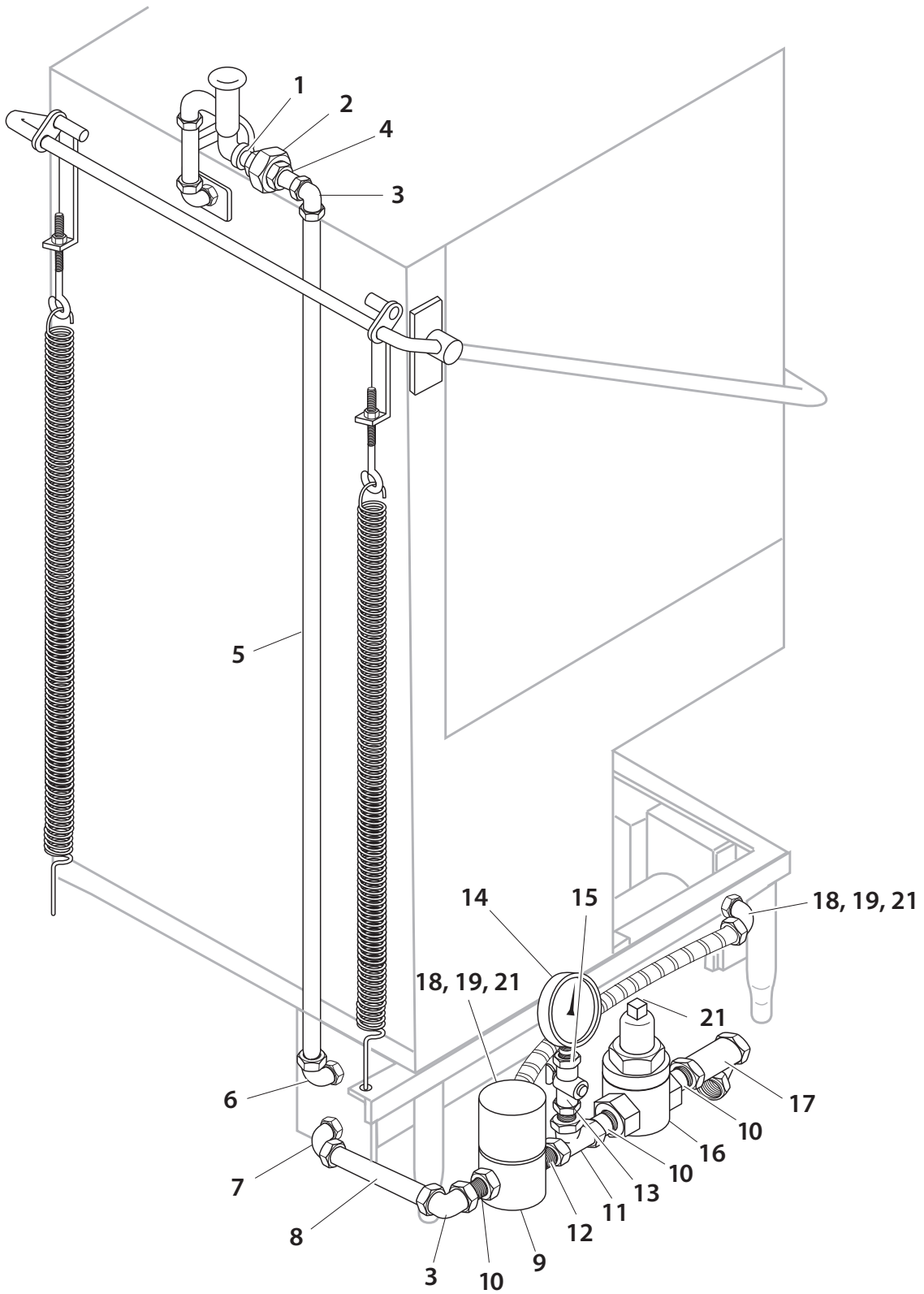


Figure 17. Machine Mounted Booster Plumbing and Electrical (Single D8 Only)

Item No.	Part No.	Description	Qty
1	13607	Nipple, 3/4" x 2" Lg. Brass	1
2	W-1-13608	Union, 3/4" Brass	1
3	W-1-8219	Elbow, 90° Brass	2
4	7514	Nipple, 3/4" x 2-1/2" Lg. Brass	1
5	73789	Pipe, Brass 3/4" x 39-1/2" Lg.	1
6	W-1-8217	Union Elbow, 3/4" x 90° Brass	1
7	W-1-8219	Elbow, 3/4" x 90° N.P.T. Brass	1
8	W-1-18263	Nipple, 3/4" x 8" Lg. – Brass	1
9	W-1-12488	Solenoid Valve, 3/4", 120V	1
10	W-0-14250	Nipple, 3/4" Close	4
11	W-1-7508	Tee, 3/4" x 3/4" x 1/4"	1
12	W-1-7683	Nipple, Close 1/4 N.P.T. x 7/8" Lg.	1
13	W-1-4082	Gauge Cock, 1/4 N.P.T.	1
14	W-1-7917	Gauge, Pressure	A/R
14A	W-0-18194	Gauge, Pressure, Chrome Plated (Optional)	A/R
15	W-1-7116	Plug, 1/4" N.P.T. Pipe (Used In Place of Pressure Gauge)	A/R
16	W-1-7916	Regulator, Pressure 3/4"	1
17	W-1-7026	Strainer, 3/4" Brass	1
18	W-1-7581	Gasket Assy., 1/2"	2
19	W-1-8360	Locknut, Tiger Grip	2
20	See Note	Conduit, 3/8 x 21" Lg. Liquid Tight	A/R
21	W-1-7580	Elbow, 3/8" x 90° Liquid Tight	2
NOTE:			
—	W-1-7589	Liquid Tight Conduit, 3/8" (Order Feet Required	—
—	07918	Relief Valve	—

Notes

USA



A Division Of The Legacy Companies

Date of Installation _____

Serial No. _____

Model No. _____

Limited Warranty

Your new Blakeslee dishwashing machine is warranted for one year from date of installation shown above against defective materials and workmanship. If any defects are found within the warranty period, parts, and labor involved with their replacement will be covered free of charge. Service must be performed by a Blakeslee authorized service agency. All labor to be performed during regular working hours. Overtime premium will be charged to the customer. All warranty parts are shipped by surface transportation. If other means of transportation is requested the customer is required to pay the premium. This warranty does not apply to damages resulting from errors in installation on the part of other contractors, nor does it apply to machines which have been subject to accident, misuse, or abuse. It is understood that Blakeslee's warranty obligation with respect to machines located outside of the United States and Canada or located in the state of Alaska is limited to the furnishing of replacement parts only. In the state of Hawaii, repair labor is provided free of charge; travel time and expenses paid by the customer. On the island of Oahu, repair labor, travel time and expenses are provided free of charge. This is the entire and only warranty of Blakeslee. We neither assume nor authorize anyone else to assume for us any other obligation or liability in connection with Blakeslee Machines.

In no case can this warranty exceed eighteen (18) months from the date of shipment from our plant at Addison, Illinois.

Items NOT Covered Under Warranty:

1. Lighting of Gas Pilots

At the time of installation the gas pilots and burners should be adjusted. Continued failures of pilot lights would indicate dirty gas lines, improper original adjustment or intermittent drafts blowing out the flume.

2. Replacing Fuses or resetting Overloads

Replacing a blown fuse or resetting an open overload breaker is a very simple procedure and is the owner's responsibility. If the machine continues to blow fuses or open the overload breaker, contact your nearest authorized Blakeslee Service Center.

3. Adjusting Tank Heats

Heat adjustments are covered in the INSTALLATION & OPERATION manual and must be adjusted depending upon desired results.

4. Proper Loading of Dishes

It is important that the machine owner's personnel observe the instructions outlined in the INSTALLATION & OPERATION manual.

5. Cleaning Drain Valves

Foreign articles lodged in the drain valve seat should be removed as a part of the normal daily cleaning.

6. Cleaning Rinse or Wash Nozzles and Line Strainers

Keeping a dishwasher clean and removing obstructions from the nozzles and line strainers will be a periodic function of the machine owner's personnel. The cleaning periods will vary depending upon impurities in the water supply and cleanliness of the washing operation.

7. Final Rinse Water

Most frequent of all complaints in any dishwashing machine is that of poor final rinse. It is the responsibility of the owner to provide 180 to 195 degree (plus) water at 15-25 lb. flow pressure through clean unobstructed water lines. If the machine has a factory equipped final rinse water booster, the owner must supply the booster with a minimum of 140 degree temperature water.

8. Electric Boosters and Garbage Disposals

Although these units may have been purchased with the machine, they are warranted by the individual manufacturer. Consult the nearest factory authorized representatives for these particular items.

1228 Capitol Drive
Addison, IL 60101
Phone: 630-532-5021
Fax: 630-532-5020

www.blakesleeinc.com
service@blakesleeinc.com