

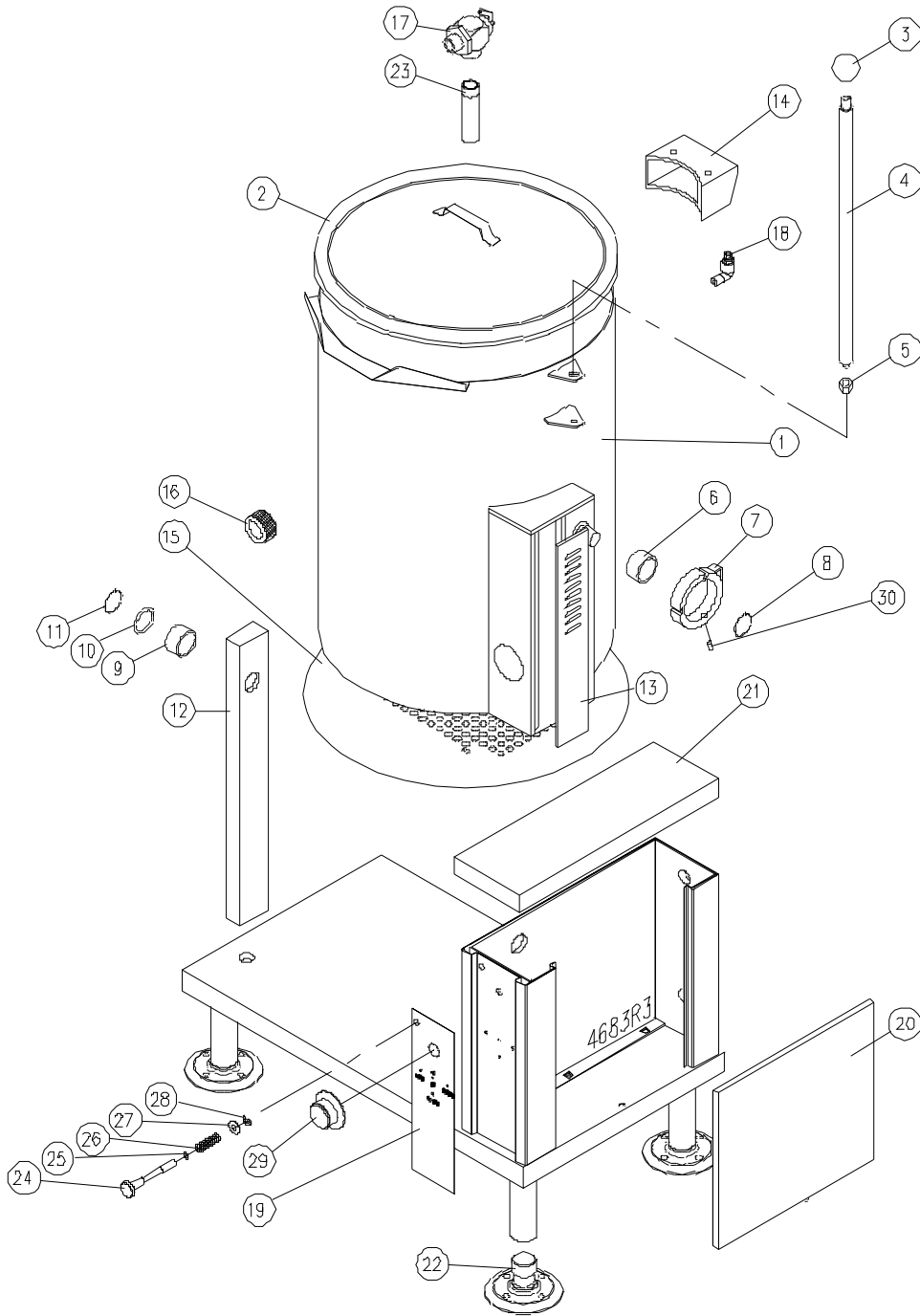


PARTS LIST
GAS SELF-CONTAINED KETTLE
MODEL: KLT-12G



BLODGETT OVEN CO ▪ 44 lakeside Ave ▪ Burlington, VT 05446
Tel. 800-331-5842 ▪ Fax 802-860-3732 ▪ www.blodgett.com

FIGURE 1



<u>ITEM</u>	<u>PART NUMBER</u>	<u>DESCRIPTION</u>	<u>QUANTITY</u>
1	43495	Kettle Assembly	1
2	43546	Lid Assembly	1
3	40259	Knob	1
4	42795	Handle	1
5	42948	Acorn Nut ½ - 13 NC	1
6	41015	Bearing	1
7	42829	Actuator Collar	1
8	41824	Retaining Ring	1
9	41012	Bearing	1
10	41013	Washer	1
11	41823	Retaining Ring	1
12	42546	Leg Post	1
13	42482	Trunnion Box Side Panel	1
14	41304	Flue Assembly	1
15	40002	Bottom Cover	1
16	41226	Sight Glass Assembly	1
17	40613	Relief Valve 50 PSI	1
18	40548	Air Vent Assembly	1
**	41224	Operating Label, English	1
	41246	Operating Label, French	1
20	41021	Side Panel	1
21	40827	Console Cover	1
22	41474	Flanged Foot	4
23	41044	Down Tube	1
24	40803	Lock Pin	1
25	40138	"O" Ring	1

<u>ITEM</u>	<u>PART NUMBER</u>	<u>DESCRIPTION</u>	<u>QUANTITY</u>
26	40808	Spring	1
27	43297	Washer	2
28	40134	Ex Ring Clip	1
29	40995	Thermostat Dial	1
30	43024	Hx Set Screw	1

** SELECT AS REQUIRED.

FIGURE 2

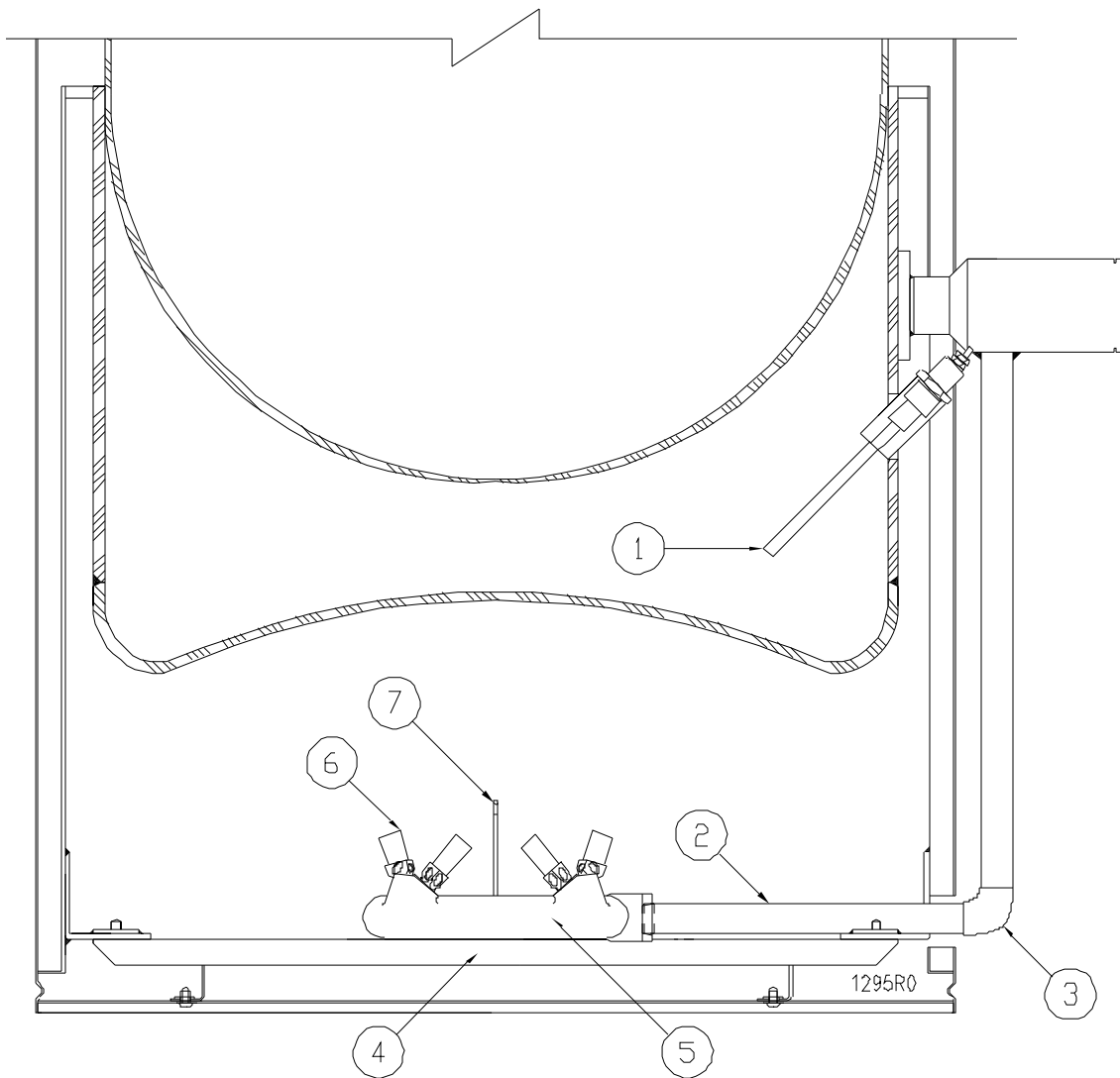


FIGURE 2

<u>ITEM</u>	<u>PART NUMBER</u>	<u>DESCRIPTION</u>	<u>QUANTITY</u>
1	40469	Low Water Probe	1
2	41018	Pipe, 3/8 x 7 1/2 Length	1
3	41787	Elbow 3/8	1
4	41305	Burner Support Channel	1
5	40903	Burner	1
** 6	40904	Orifice Jet #57 Natural Gas	10
	40905	Orifice Jet .70 mm LP Gas	10
7	41229	Electrode Assembly	1

** SELECT AS REQUIRED

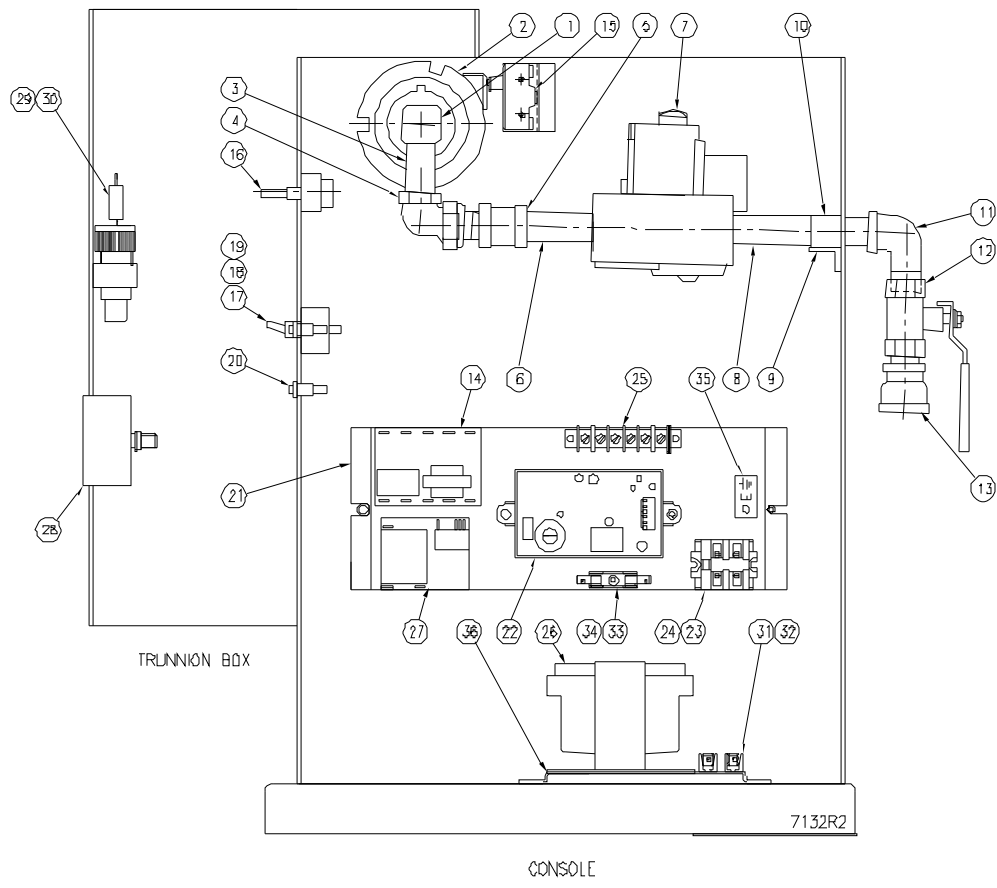


FIGURE 3

FIGURE 3

<u>ITEM</u>	<u>PART NUMBER</u>	<u>DESCRIPTION</u>	<u>QUANTITY</u>
1	43496	1/2" Gas Swivel Joint	1
2	42829	Tilt Lock, Actuator Collar	1
3	41776	Nipple, 1/2" x 2 1/2"	1
4	40616	Union Elbow Assembly	1
5	41820	Union, 1/2"	1
6	42579	Nipple, 1/2" x 3"	1
** 7	41045	Gas Control Valve (Natural)	1
	41046	Gas Control Valve (L.P.)	1
8	42580	Nipple, 1/2" x 5"	1
9	42746	Gas Line Support	1
10	41014	3/8 Pipe Strap	1
11	41790	90° Street Elbow, 1/2"	1
12	41893	Ball Valve, 1/2"	1
13	41812	Reducing Coupling, 1/2" - 3/4"	1
14	41002	Temperature Control, 120V	1
	41008	Temperature Probe	1
15	40938	Micro-Switch	1
16	41118	Potentiometer	1
* 17	43497	Rotary Shaft Seal	1
17	41883	Power Switch	1
18	40818	Pilot Light, Temperature, Red, 125V	1
19	40823	Pilot Light, Ignition, Green, 125V	1
20	40819	Pilot Light, Low Water, Amber, 125V	1
21	42732	Component Mounting Bracket	1

* NOT SHOWN.

** SELECT AS REQUIRED.

FIGURE 3

<u>ITEM</u>	<u>PART NUMBER</u>	<u>DESCRIPTION</u>	<u>QUANTITY</u>
22	41093	Ignition Module (DSI System)	1
23	40708	Terminal Block Section	2
24	40707	Terminal Block End	1
25	42270	Terminal Strip	1
** 26	40991	Transformer, 220/240-120, 50/60 Hz, 100VA	1
	40984	Transformer, 208-120, 60 Hz, 100VA	1
27	40542	Water Level Control	1
28	40907	Pressure Gauge	1
29	40030	Pressure Switch	1
30	41225	Pressure Switch Bracket	1
** 31	41844	Fuse Holder, (208 - 240V Units)	2
** 32	41859	Fuse, 250V, 1 Amp., (208 - 240V Units)	2
** 33	41844	Fuse Holder (120V Units Only)	1
** 34	41861	Fuse, 250V, 3 Amp. (120V Units Only)	1
35	42013	Earth Ground I.D. Tag	1
36	40902	Transformer Bracket	1
* 37	42706	Cord Set, 120V, Units Only	1

* NOT SHOWN.

** SELECT AS REQUIRED.

ALTERNATE PARTS

Page	Item	Crown	Blodgett
3	3	2-KB01	43029
	19	6660-2	42910
4	29	4-TD02	42456