



**COS-8G & COS-8GDS COMBI OVENS
BCS-G STEAMER
CNV-8G CONVECTION OVEN
REPLACEMENT PARTS LIST**

EFFECTIVE JUNE 11, 2015

Superseding All Previous Parts Lists.

The Company reserves the right to make substitution in the event that items specified are not available.

ERRORS: Descriptive and/or typographic errors are subject to correction.

BLODGETT OVEN COMPANY

44 Lakeside Avenue, Burlington, Vermont 05401 USA Telephone: (802) 658-6600 Fax: (802) 860-3732
www.blodgett.com

P/N 53292 Rev E

SERIAL NUMBER LOCATION / KEY:

IMPORTANT: When ordering parts, please provide the model, gas type, voltage and serial number of the oven. The identification plate is located on the left side of the control compartment.

SERIAL NUMBERS CONTAINING:

IA HU IL

IF IK

HO HS II IN

EXAMPLE:

021896HR023S

TO OBTAIN LITERATURE:

Email: literature@blodgett.com

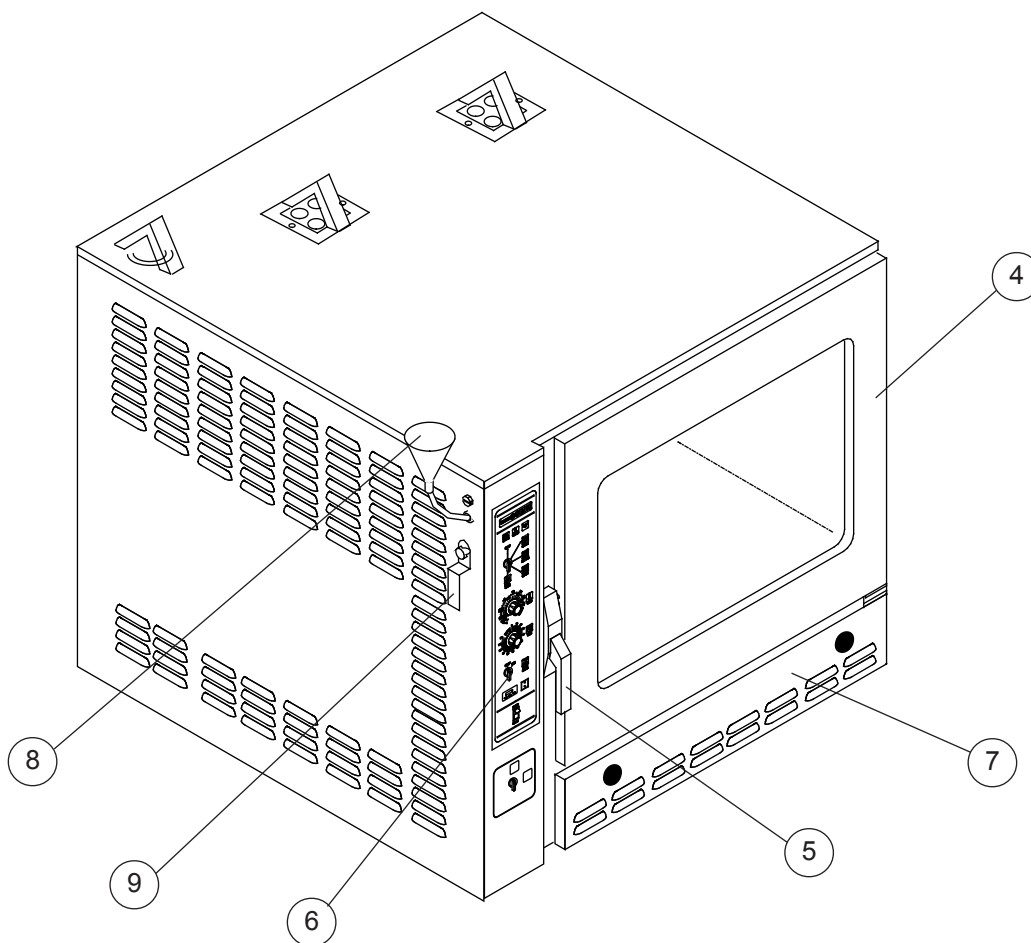
or visit

www.blodgett.com

TABLE OF CONTENTS

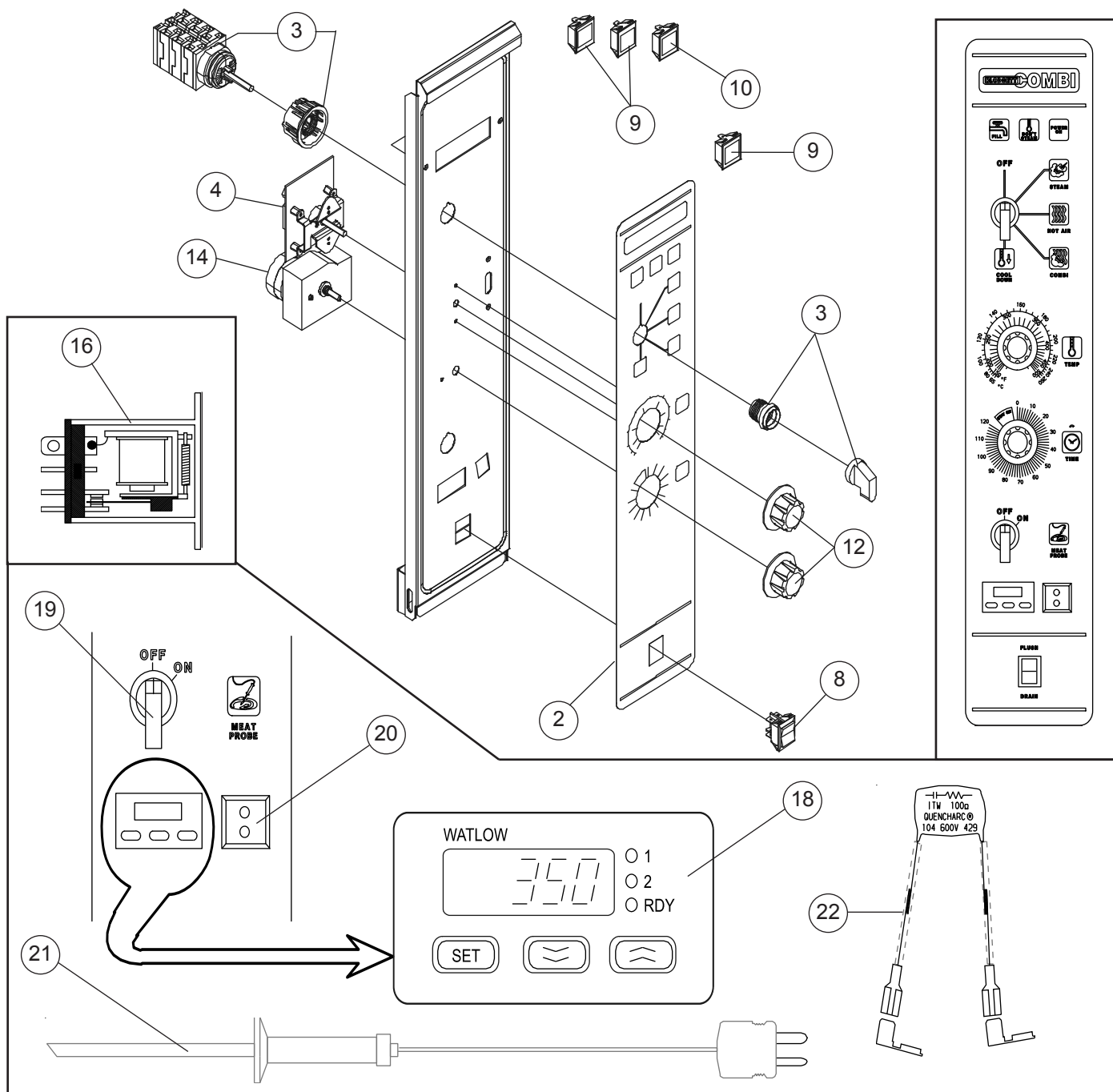
EXTERIOR COMPONENTS	4
STANDARD “COS” CONTROL PANEL COMPONENTS	5
DIGITAL “COS” CONTROL PANEL COMPONENTS	6
STANDARD “BCS” CONTROL PANEL COMPONENTS	7
STANDARD “CNV” CONTROL PANEL COMPONENTS	8
DIGITAL “CNV” CONTROL PANEL COMPONENTS	9
DOOR COMPONENTS	10
DOOR HANDLE COMPONENTS	11
HARNESS AND PANEL ASSEMBLY	12
THERMOSTATS	15
CONVECTION MOTOR COMPONENTS	16
IGNITION COMPONENTS	17
GAS TRAIN COMPONENTS	18
HOT AIR BURNER COMPONENTS	19
STEAM GENERATOR COMPONENTS	20
DIRECT STEAM COMPONENTS	22
INTERIOR COMPONENTS	23
PLUMBING COMPONENTS	24
ACCESSORIES	26
BODY BACK & BOTTOM OPTIONS	27

EXTERIOR COMPONENTS



Ref. No.	Part No.	Description
4	R3390	Door assy, RH hinge w/glass
	R7158	Door assy, RH hinge solid (COS)
5	R6313	Handle, door
6	Various	Control panel
	R4268	U bolt, 1/4-20
8	R3012	Funnel assy, deliming (BCS & COS only)
9	R3654	Handle, deliming port (BCS & COS only)
	R1325	Cover, drain handle
	R2998	Adapter, hose decalcifying (BCS & COS only)
	R3011	Cap, decalcifying adapter (BCS & COS only)

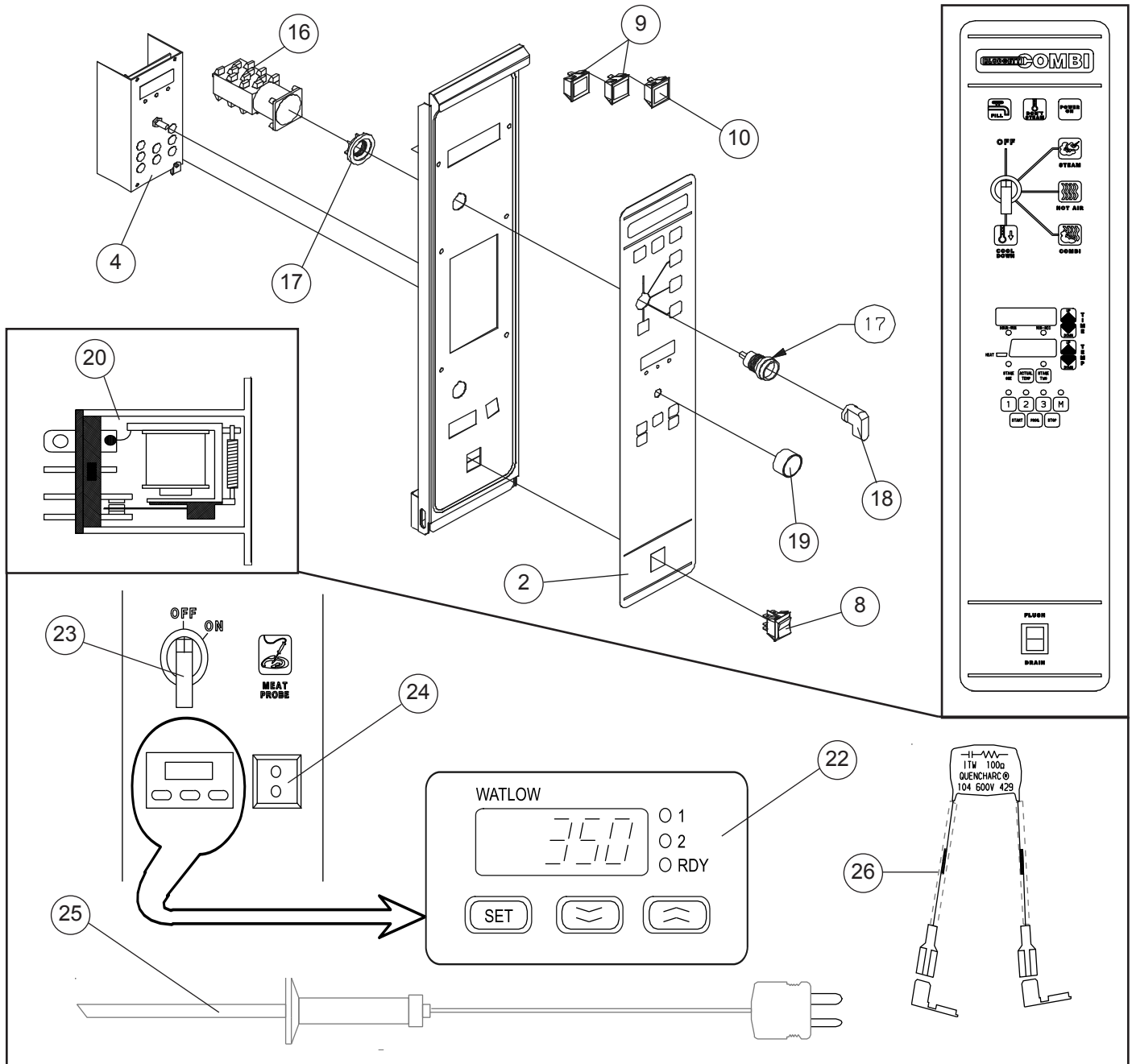
COS STANDARD CONTROL



Ref. No.	Part No.	Description
	R5588	Harness, control (all panels listed above)
	R4872	Gasket, control panel
2	R5172	Decal, control Std w/o meat probe
3	R4623	Switch, mode 4 position
	R8515	Knob and shaft assy, mode switch
4	R6407	Controller, temperature 150-500 degrees P5
	R6003	Probe, temp controller (item #4)
	R3992	Gasket, probe, temp controller (item #4)
8	R2715	Switch, momentary Flush/Drain
9	R3556	Indicator light, clear
10	R3557	Indicator light, green Power On
12	16686	Knob, temp control & timer

Ref. No.	Part No.	Description
14	R2666	Timer, 12- min, 230V, 60Hz
16	R3983	Relay, SPST 240V ice cube
	R4435	Valve, gas manual
	R0364	Knob, gas valve
18	R5242	Controller, meat probe
19	R4622	Switch, meat probe on/off
20	R5219	Panel jack
21	R5315	Probe, meat plug-in type
22	R6988	Suppressor, arc assy
	R5218	Harness, meat probe
	R5325	Wire, thermocouple 20awg
	R5391	Clip, meat probe

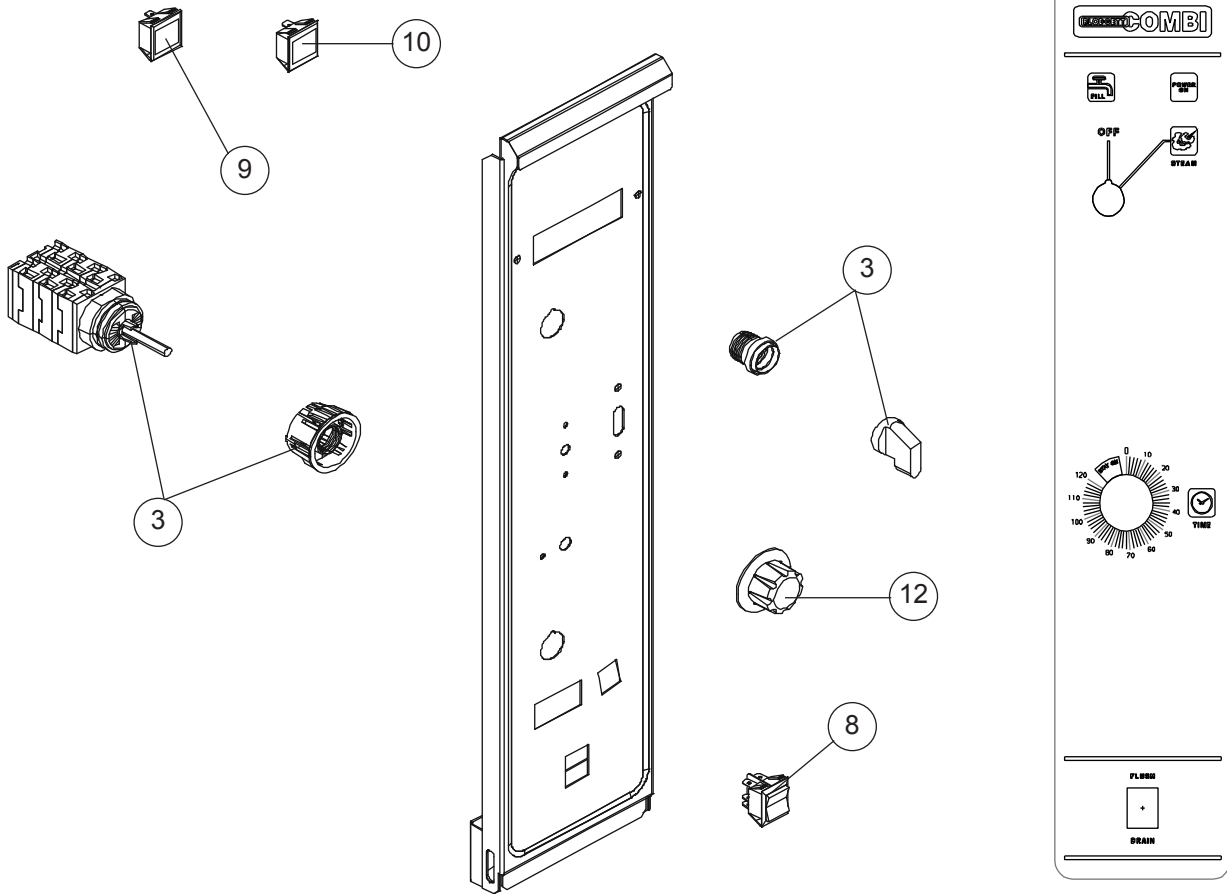
COS DIGITAL CONTROL



Ref. No.	Part No.	Description
	R5565	Harness, control
	R4872	Gasket, control panel
	R7854	Controller retrofit kit (from knob to all pads)
	R6928	Sensor, controller
8	R2715	Switch, momentary Flush/Drain
9	R3556	Indicator light, clear
10	R3557	Indicator light, green Power On
16	R4623	Switch, mode 4 position
17-18	R8515	Knob and shaft assy, mode switch
20	R3983	Relay, SPST 120V ice cube

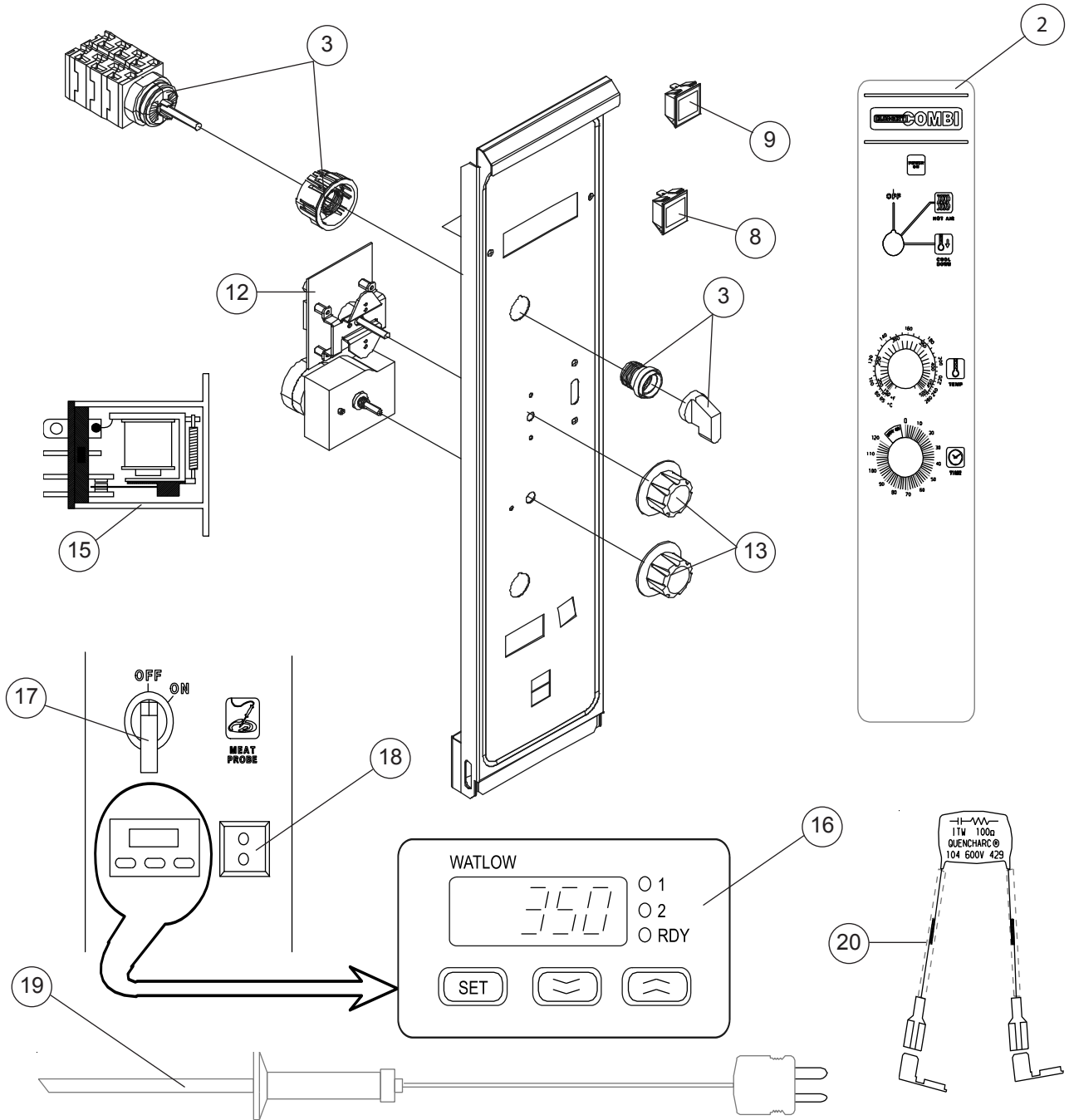
Ref. No.	Part No.	Description
	R4435	Valve, gas manual
	R0364	Knob, gas valve
22	R5242	Controller, meat probe
23	R7198	Switch, meat probe on/off
24	R5219	Panel jack
25	R5315	Probe, meat plug-in type
26	R6988	Suppressor, arc assy
	R5218	Harness, meat probe
	R5325	Wire, thermocouple 20 awg
	R5325	Clip, meat probe

BCS STANDARD CONTROL



Ref. No.	Part No.	Description
	R4872	Gasket, control panel (per foot)
3	R4622	Switch, mode 4 position
8	R2715	Switch, momentary Flush/Drain
9	R3556	Indicator light, clear
10	R3557	Indicator light, green Power On
12	16686	Knob, timer
	R4435	Valve, gas manual
	R0364	Knob, gas valve

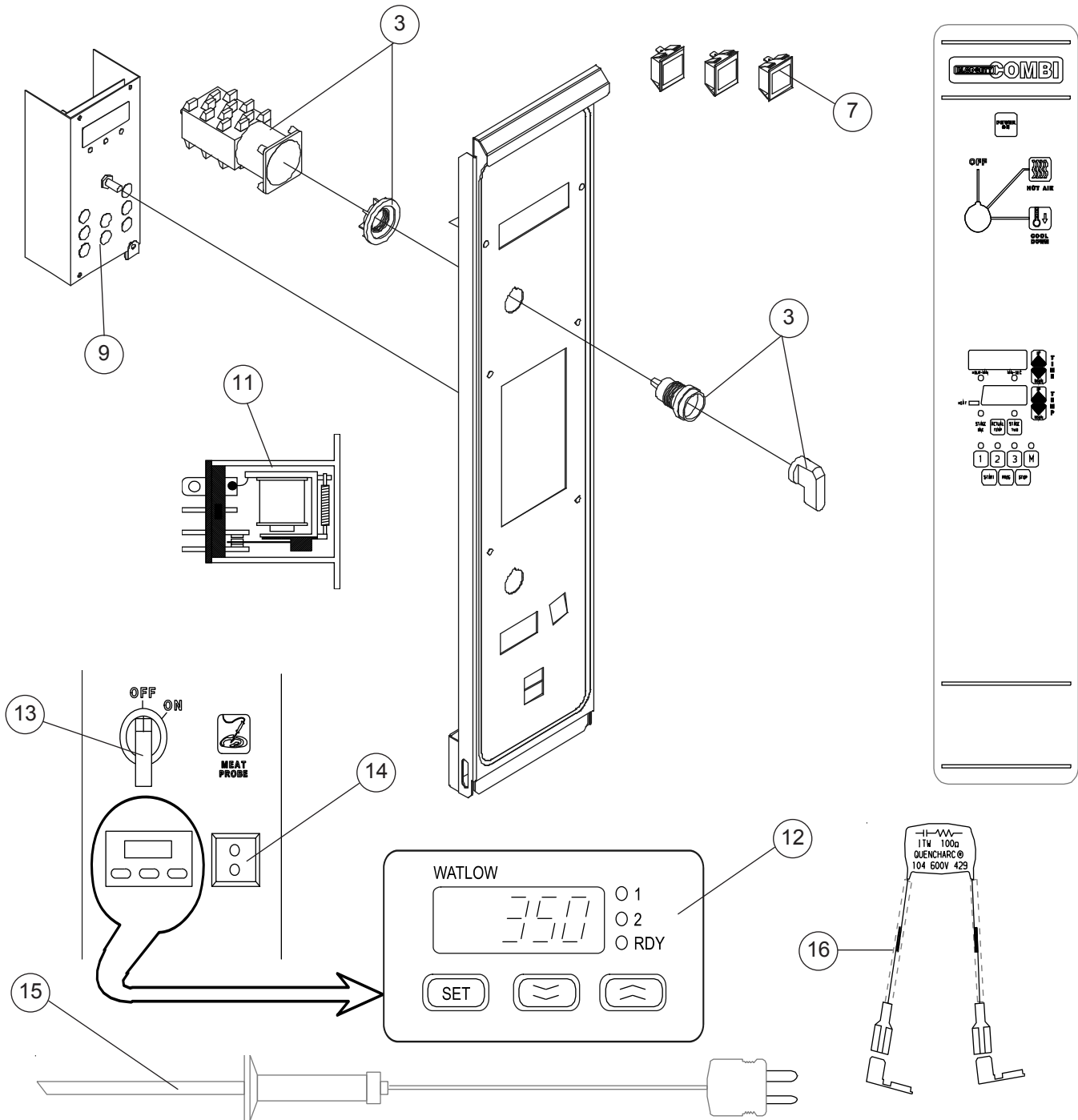
CNV STANDARD CONTROL



Ref. No.	Part No.	Description
	R4872	Gasket, control panel (per foot)
3	R5686	Switch, mode 4 position
8	R3556	Indicator light, clear
9	R3557	Indicator light, green Power On
12	R6407	Controller, hot air 150-500 degrees P5
	R6003	Probe, hot air controller
	R3992	Gasket, hot air probe
13	16686	Knob, timer & controller
15	R3983	Relay, DPST 120V

Ref. No.	Part No.	Description
16	R4622	Switch, meat probe
18	R5219	Panel jack, meat probe
19	R5315	Probe, meat plug in
20	R6988	Suppressor, arc assy
	R5218	Harness, meat probe
	R5325	Wire, thermocouple 20AWG
	R5391	Clip, meat probe
	R4435	Valve, gas manual
	R0364	Knobb, gas valve

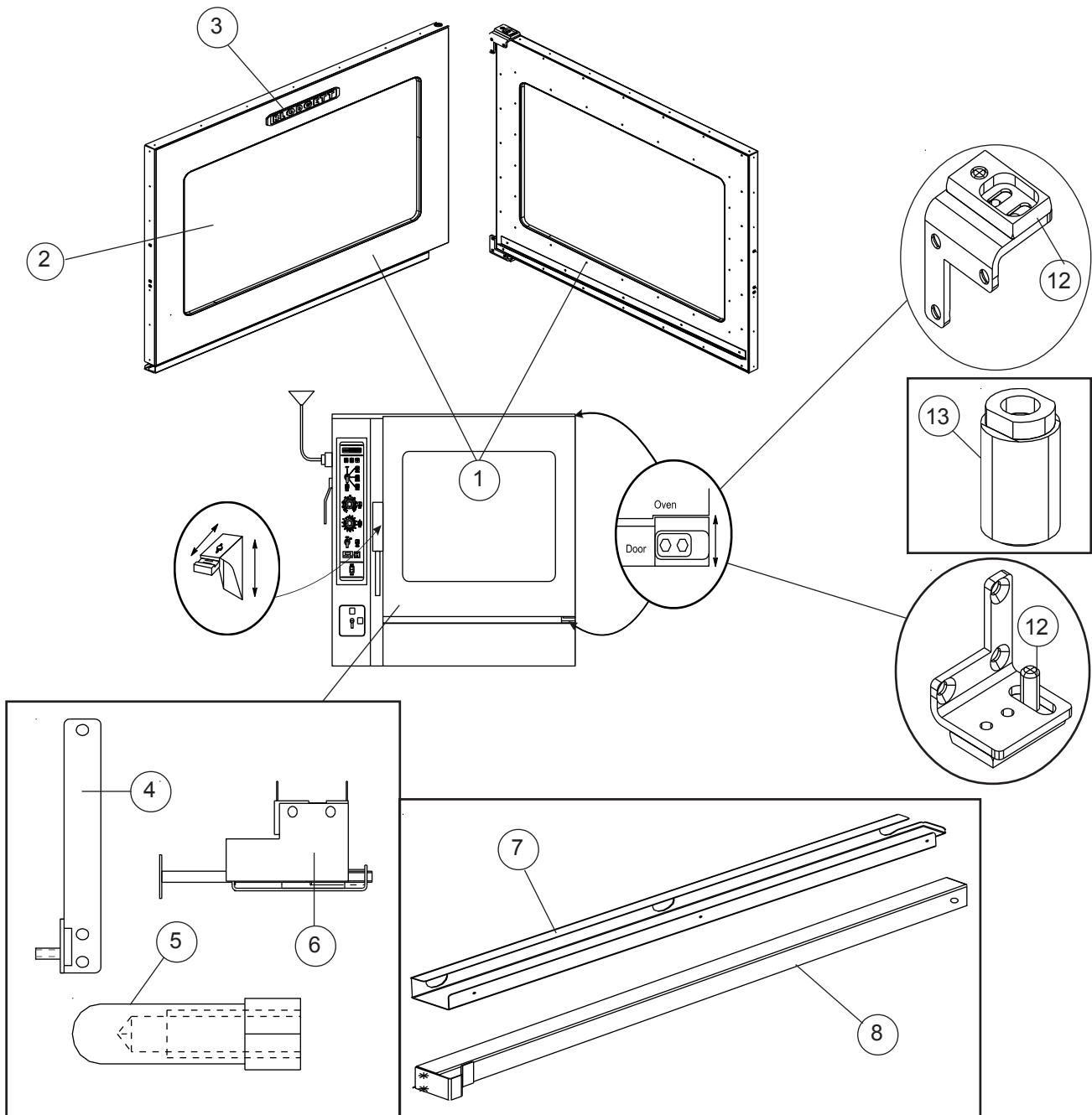
CNV DIGITAL CONTROL



Ref. No.	Part No.	Description
	R4872	Gasket, control panel (per foot)
3	R5686	Switch, mode 4 position
7	R3557	Indicator light, green Power On
	R7854	Conversion kit, time n' tem (from knob to push button)
	R6928	Sensor, time n' temp controller
11	R3983	Relay, DPST 120V
12	R5242	Control, meat probe

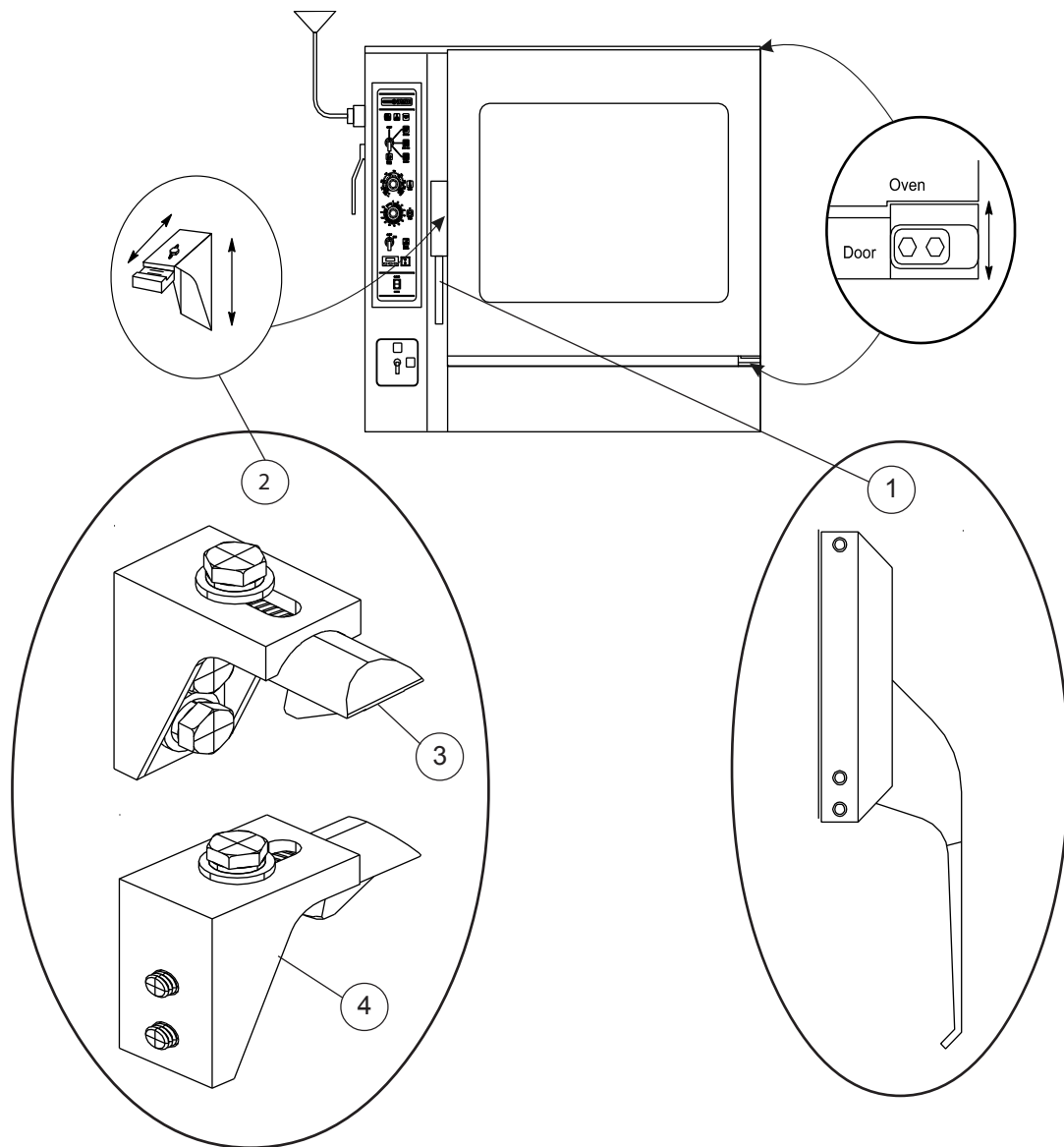
Ref. No.	Part No.	Description
13	R4622	Switch, meat probe
14	R5219	Connector, panel jack meat probe
15	R5315	Probe, meat plug in type
16	R6988	Suppressor, arc assy
	R5218	Harness, meat probe
	R5325	Wire, thermocouple 20 AWG
	R5391	Clip, meat probe
	R4435	Valve, gas manual
	R0364	Knob, gas valve

DOOR COMPONENTS



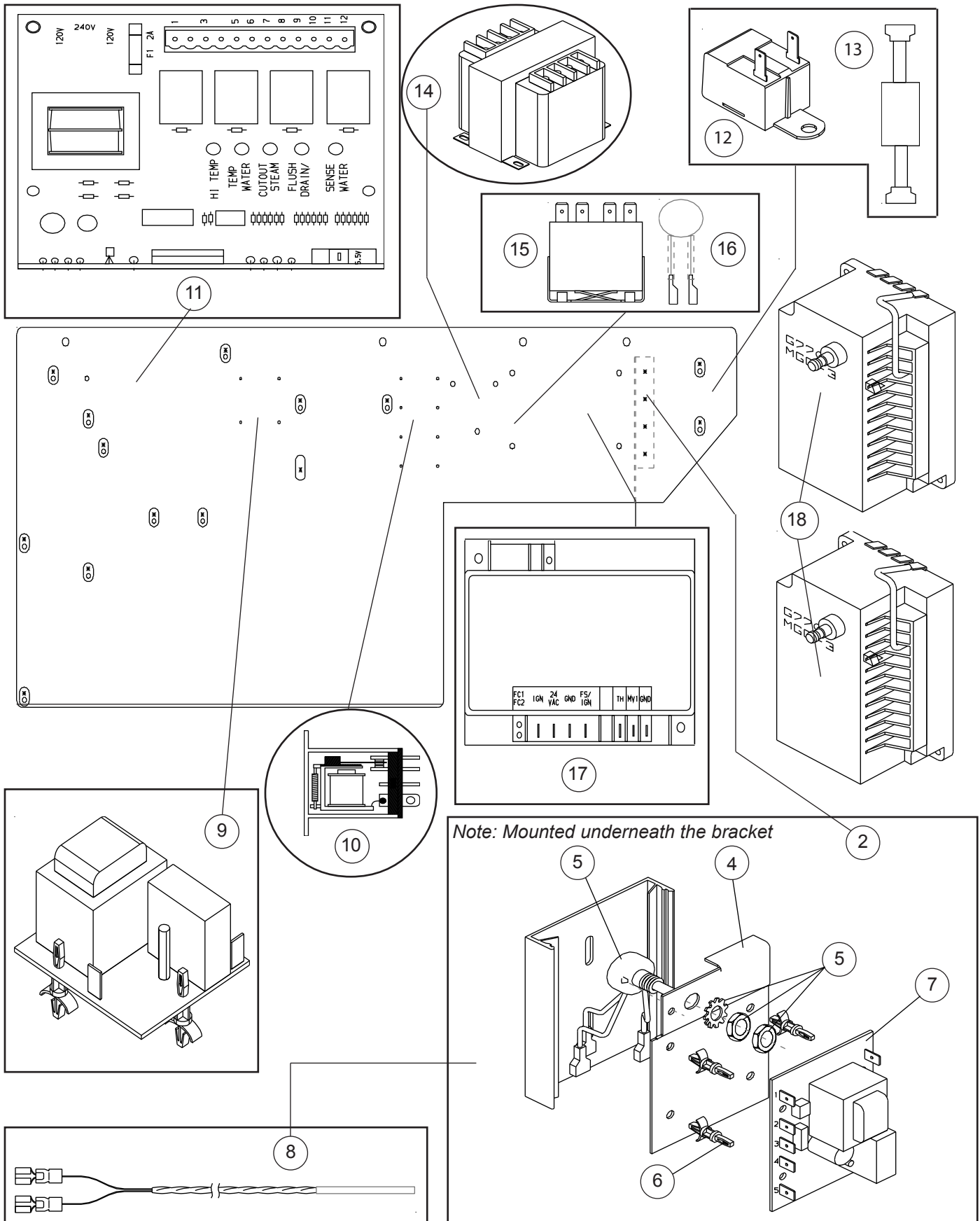
Ref. No.	Part No.	Description	Ref. No.	Part No.	Description
1	R3390	Door assy, RH hinge w/glass	4	R3785	Bracket assy, door pin
	R7158	Door assy, RH hinge solid	5	R3990	Pin, door switch
2	R5797	Window, door	6	R3628	Switch, micro door
	R2105	Gasket, window (per foot) (not shown)		4068	Grommet, door switch (not shown)
	R0759	Rivet, monobolt 1/8 dia. x 3/8 long s/s (not shown)	7	R3612	Holder, door trough
	R1278	Rivet, pop 1/8 dia. x 1/4 long s/s (not shown)	8	R3615	Trough assy, door drip
3	90086	Nameplate, Blodgett 7-3/4 (not shown)	12	R6220	Bracket, hinge pin
	R3695	Gasket, door perimeter (not shown)	13	R3397	Pin, hinge
	R3774	Plate, mounting gasket, horiz. (not shown)			
	R3775	Plate, mounting gasket, vert. (not shown)			
	R2292	Washer, door height adjustment (not shown)			

DOOR HANDLE COMPONENTS



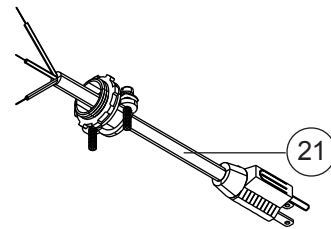
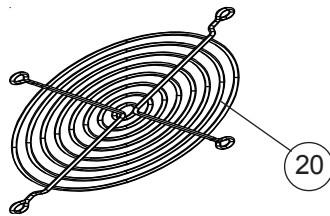
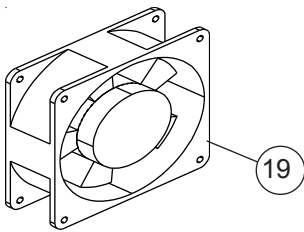
Ref. No.	Part No.	Description
1	R6313	Handle assy, door
	R6314	Screw, door handle
2	R2296	Catch assy, door (comprised of parts below)
3	R2780	Latch, door s/s
4	R2781	Catch, door s/s
	90086	Name plate, Blodgett

HARNESS & PANEL ASSEMBLY



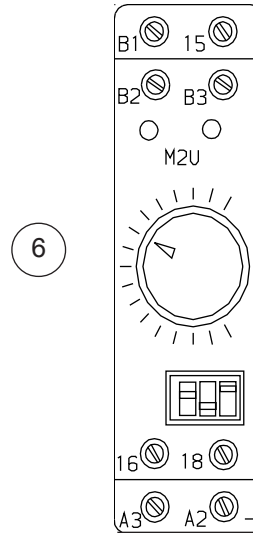
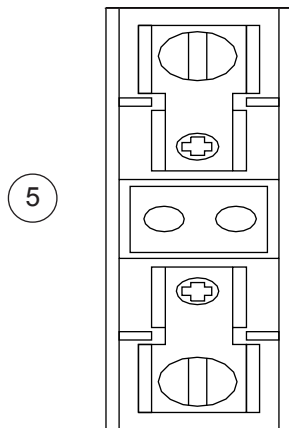
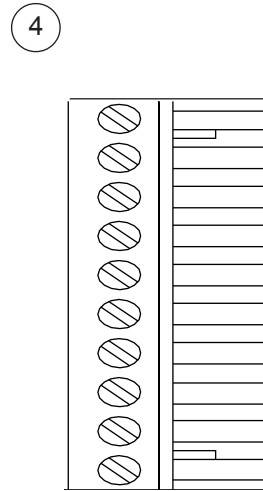
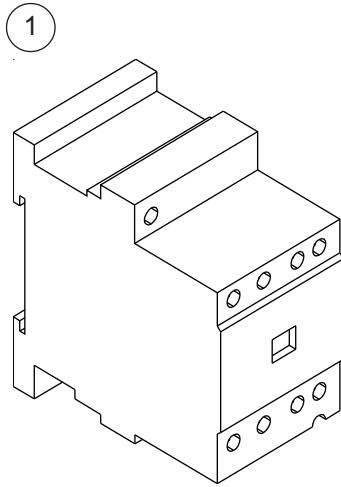
HARNESS & PANEL ASSEMBLY

Ref. No.	Part No.	Description
2	R1443	Controller assy, steam P2 (comprised of parts below) Note: Mounted underneath the bracket below the relays
4	R1442	Bracket, mouting temp controller
5	18234	Potentiometer, remote
7	20351	Controller, 8 pot hold w/spacers
6	18268	Spacer, nylon
8	R0022	Sensor, steam controller
9	R5707	Board, level control
	R5777	Retrofit kit, level sensing (from UE board w/5 orange relays)
10	R3983	Relay, 120V ice cube R1, R2, R3, R4, R7 Note: Mounted on the front of the bracket
11	R6402	Timing board
12	R9497	Buzzer assy, w/resistor
13	R8724	Resistor only, buzzer assy
14	R6021	Transformer, 120V-24V
15	R7174	Relay, 120V R8 (s/n's after 100797)
	R7175	Bracket, relay
	R7515	Conversion kit, R8 relay (adds SS R6 & R8)
16	R7514	Varistor assy, 115V
17	R5925	Module, steam hot surface ignition
18	20348	Module, hot air spark
19	22301	Fan, axial 115V 4"
20	M0571	Guard, 4" axial fan
21	5091	Cord set assy



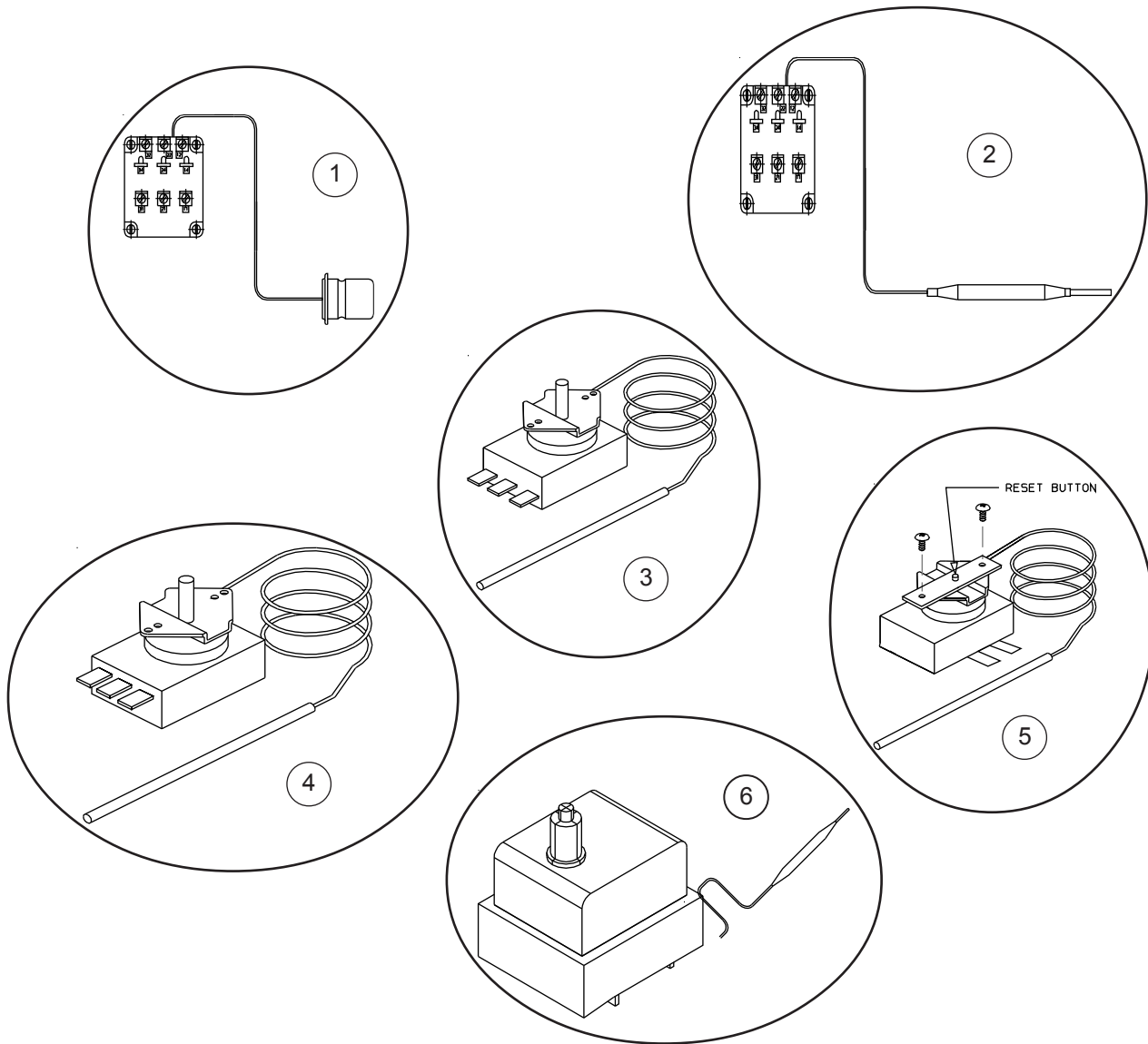
HARNESS & PANEL ASSEMBLY

UNITS MANUFACTURED PRIOR TO 1996



Ref. No.	Part No.	Description
1	R4753	Contacteur, motor 120V K1
4	R6061	Pin connector, 12 pin
5	R1581	Holder, fuse
6	R2506	Timer, pre purge M2U

THERMOSTATS



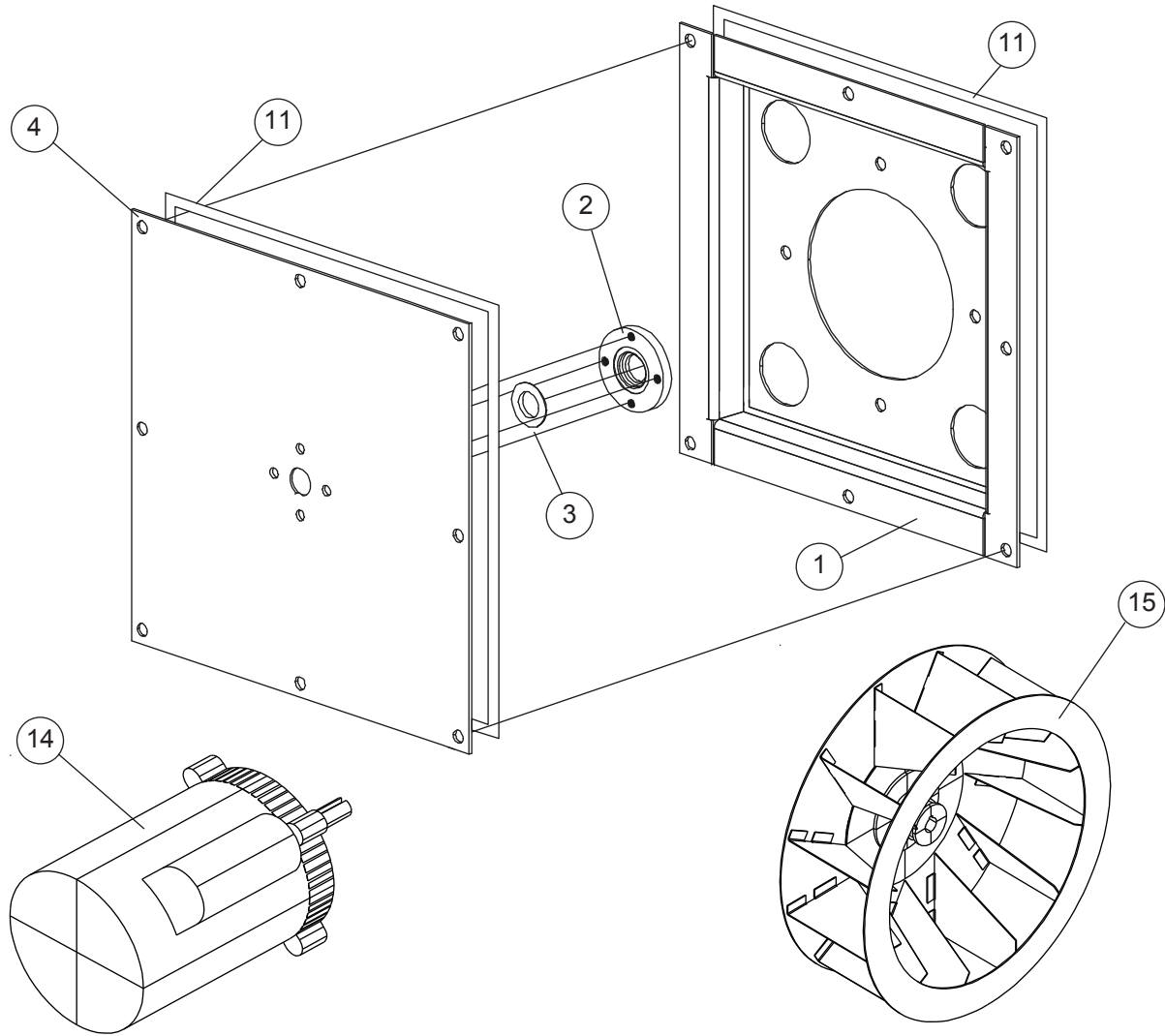
- | | | |
|---|-----------------------|---|
| 1 | R3662 | Thermostat, cooling fan hi limit F7 |
| 2 | R2801 | Thermostat, Too hot to steam P1 |
| 3 | R0118 | Thermostat, Steam pre-heat priority P3 |
| 4 | R3661 | Thermostat, quench P4 |
| | R3755 | Gasket, thermostat P4 |
| 5 | R1573 | Thermostat, Cooking hi limit 670 degrees F3 |
| | R5414 | Grommet, thermostat |
| 6 | R2630 | Thermostat, steam generator hi limit F6 |
| | R4127 | Bracket, mounting P3 & F6 |

Note: F7, P1 & F3 are located on bracket next to harness and panel assembly

Note: P3 & F6 are located on bracket on top of steam generator

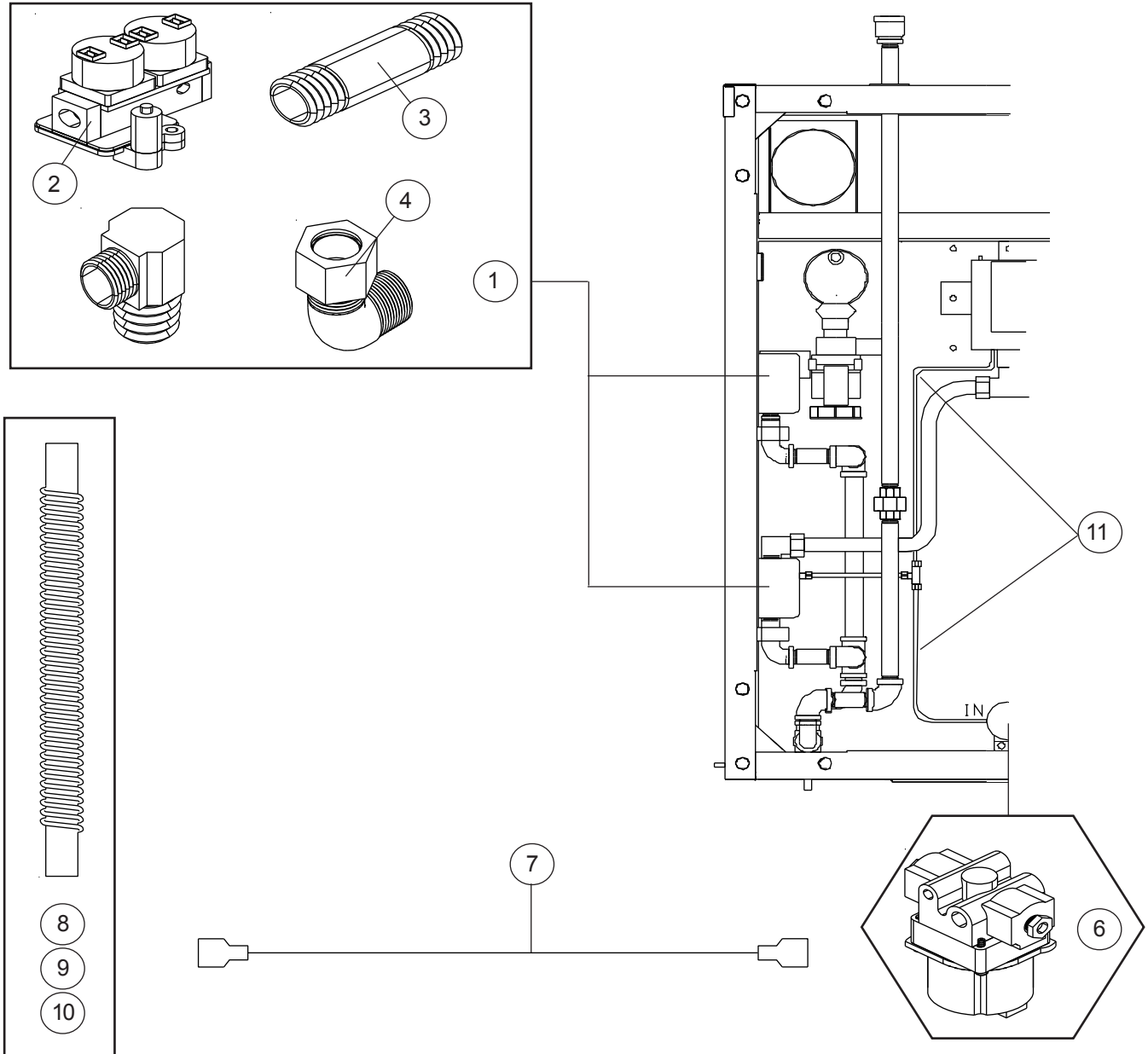
Note: P4 is located on bracket next to drain pump under steam generator

CONVECTION MOTOR COMPONENTS



Ref. No.	Part No.	Description
1	R8154	Bracket, motor mount
2	R8955	Retainer, seal
3	R4244	Seal, motor shaft
4	R8205	Plate, insulation cover
11	56956	Motor mount gasket
14	R5108	Motor, 1/2 hp 115/230V
15	R5081	Wheel, blower

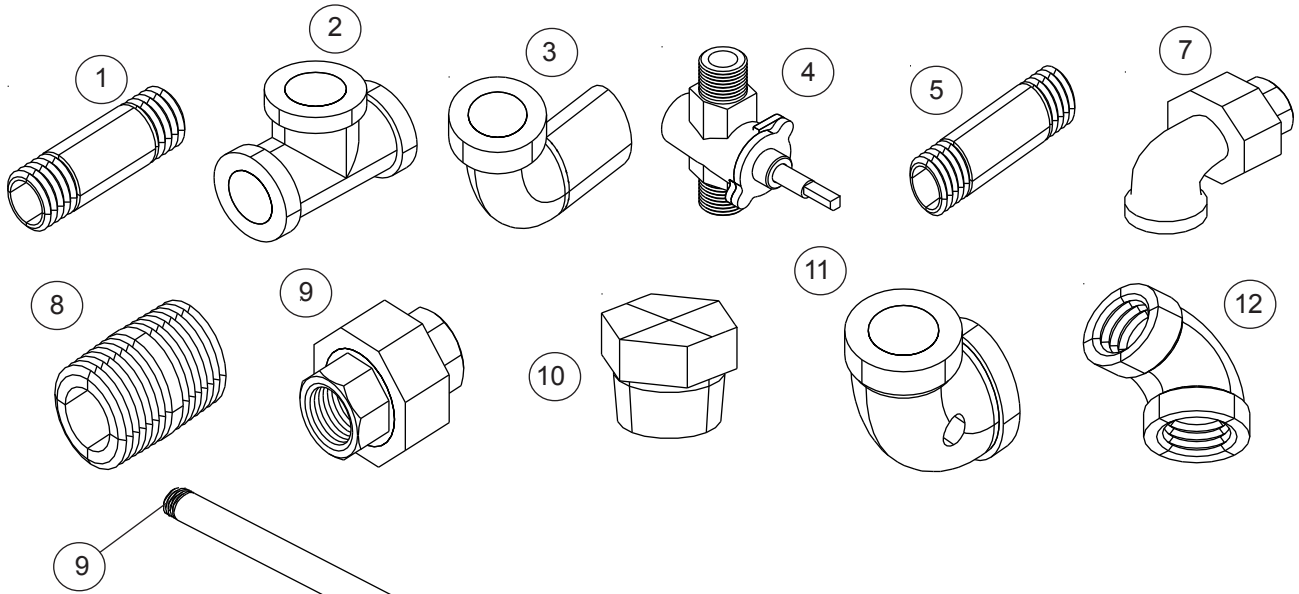
IGNITION COMPONENTS



Ref. No.	Part No.	Description
1	R4440	Valve assy, boiler (comprised of parts below)
	R4441	Valve assy, hot air (comprised of parts below)
2	M5495	Valve, gas
3	R3375	Nipple, 1/2" NPT x 2.5
4	17641	Elbow, 1/2" NPT x 3/4 Comp (boiler assy only)
5	15660	Elbow, brass 1/2 x 1/2 (hot air assy only)

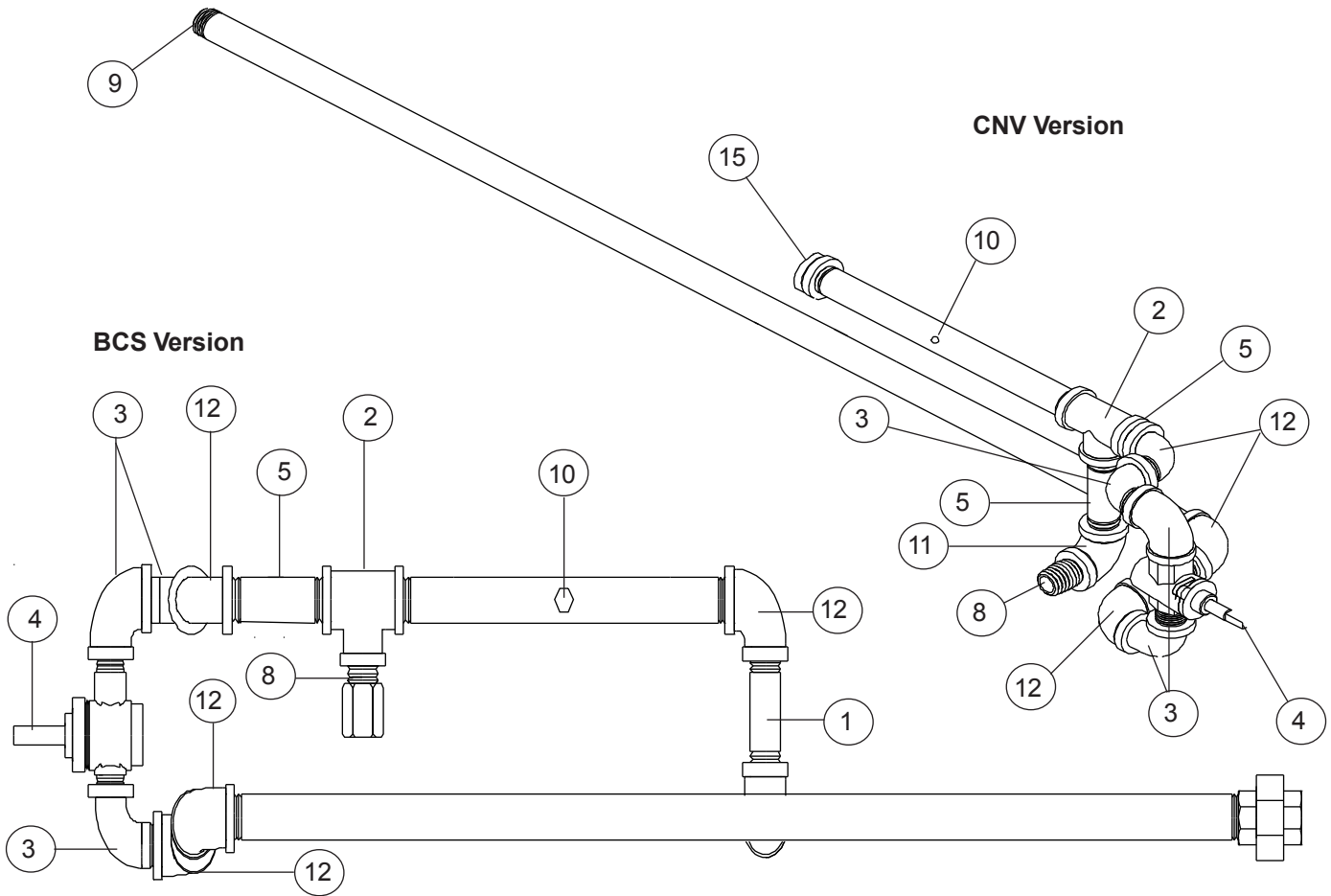
Ref. No.	Part No.	Description
6	R6490	Valve, pilot 25VAC 1/4 CC
7	R7429	Wire, flame sensor 76" white
8	R7384	Tube, flex 1/2" x 18"
9	R7385	Tube, flex 1/2" x 24"
10	R7468	Tube, flex 1/4" x 36"
11	M0248	Tube, aluminum 1/4" OD (per foot)

GAS TRAIN COMPONENTS



CNV Version

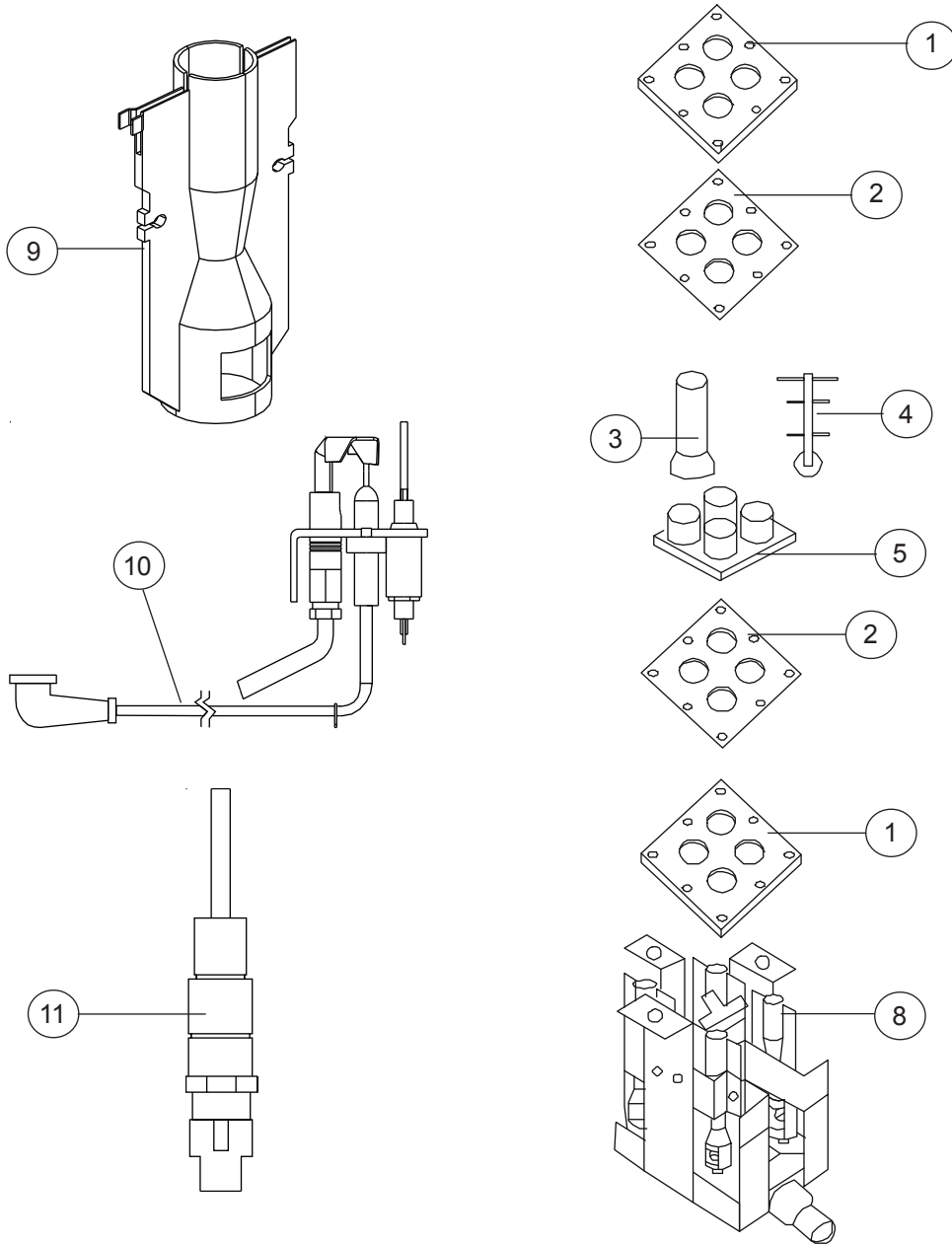
BCS Version



Ref. No.	Part No.	Description
1	R3375	Nipple, 1/2" NPT x 2.5
2	R3378	Tee, 1/2 x 1/2 x 1/2
3	R3380	Elbow, street 1/2"
4	R4435	Valve, manual 1/2" gas
5	R5347	Nipple, 1/2" NPT x 3"
7	10252	El, female union 1/2 IPS

Ref. No.	Part No.	Description
8	1949	Nipple, pipe 1/2 x 1-3/16
9	3807	Union, 1/2"
10	4872	Plug, pipe 1/8 steel
11	5115	El, 1/2"
12	597	El, black 90 degree

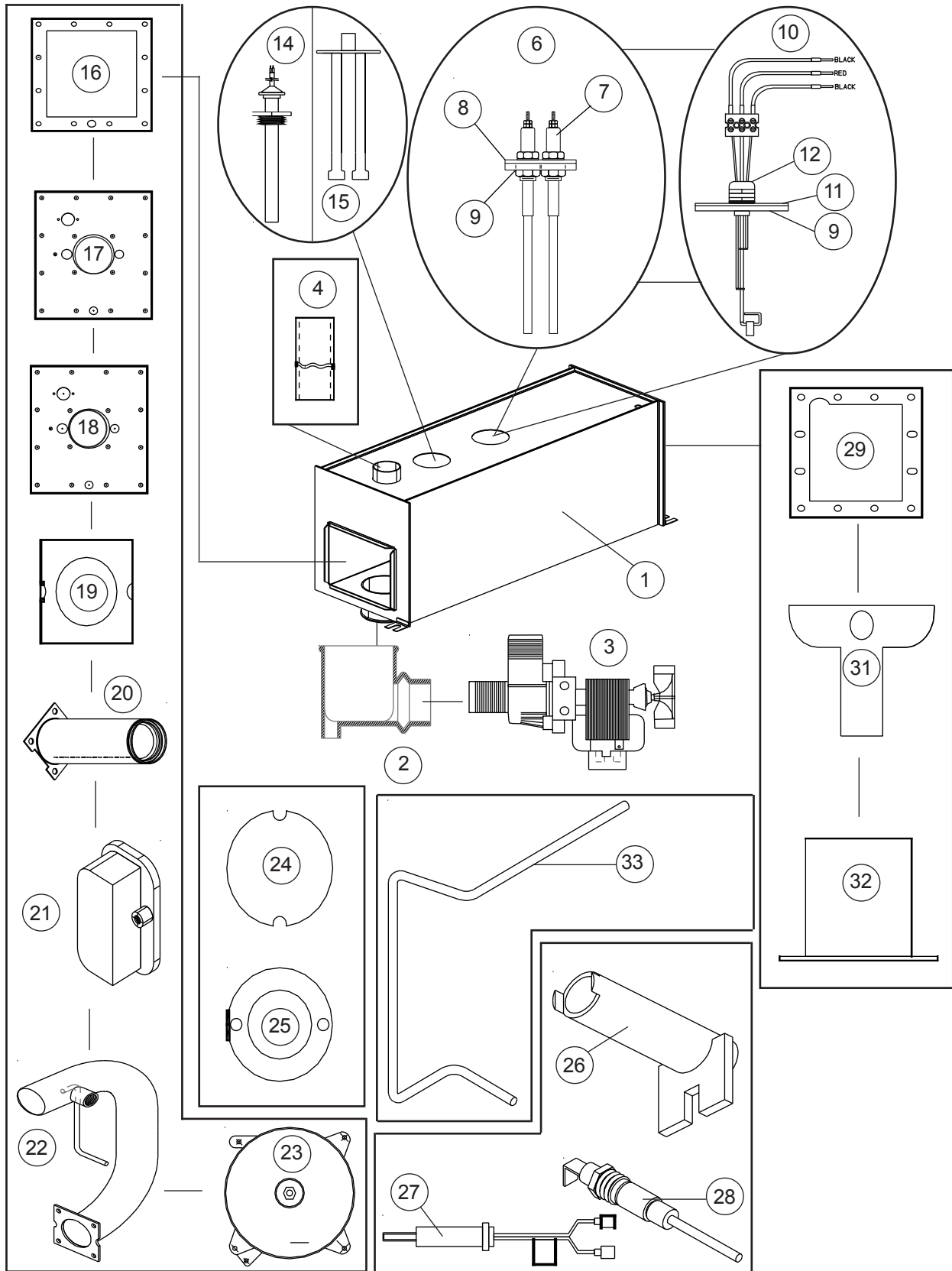
HOT AIR BURNER COMPONENTS



Ref. No.	Part No.	Description
1	R3377	Plate, hx upper
2	R4285	Gasket, sealing
3	R3356	Tube, hx
4	R7051	Baffle, hx tube
5	R4290	Plate, hx lower
8	R7377	Burner manifold assy, Natural (contains parts below)
9	R4287	Burner, inshot short
	R7378	Orifice, Nat #54 drilled
	R7379	Orifice, LP #65 drilled
	R9215	Bracket, pilot mounting

Ref. No.	Part No.	Description
10	R9590	Pilot assy, Nat (after 2/01)
	R9598	Pilot retrofit, Nat (before 2/01)
	R9599	Pilot assy, LP (after 2/01)
	R9600	Pilot retrofit, LP (before 2/01)
11	18256	Flame sensor
	R6489	Pilot retrofit kit, burner box's (s/n's prior to 6/98)
	R7091	Hot air retrofit kit, Natural - single units
	R7536	Hot air retrofit kit, LP - single units
Note:		To convert from burner boxes to inshot burners

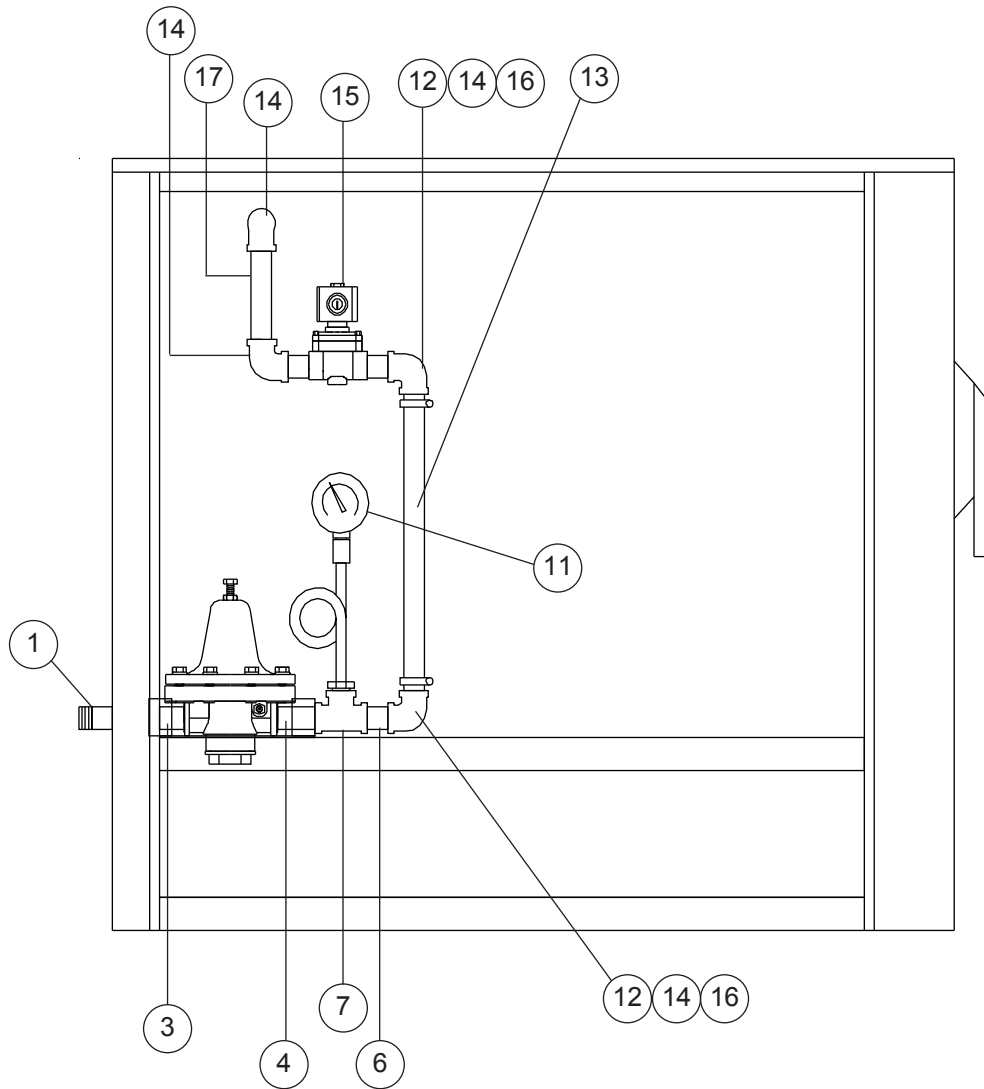
STEAM GENERATOR COMPONENTS



STEAM GENERATOR COMPONENTS

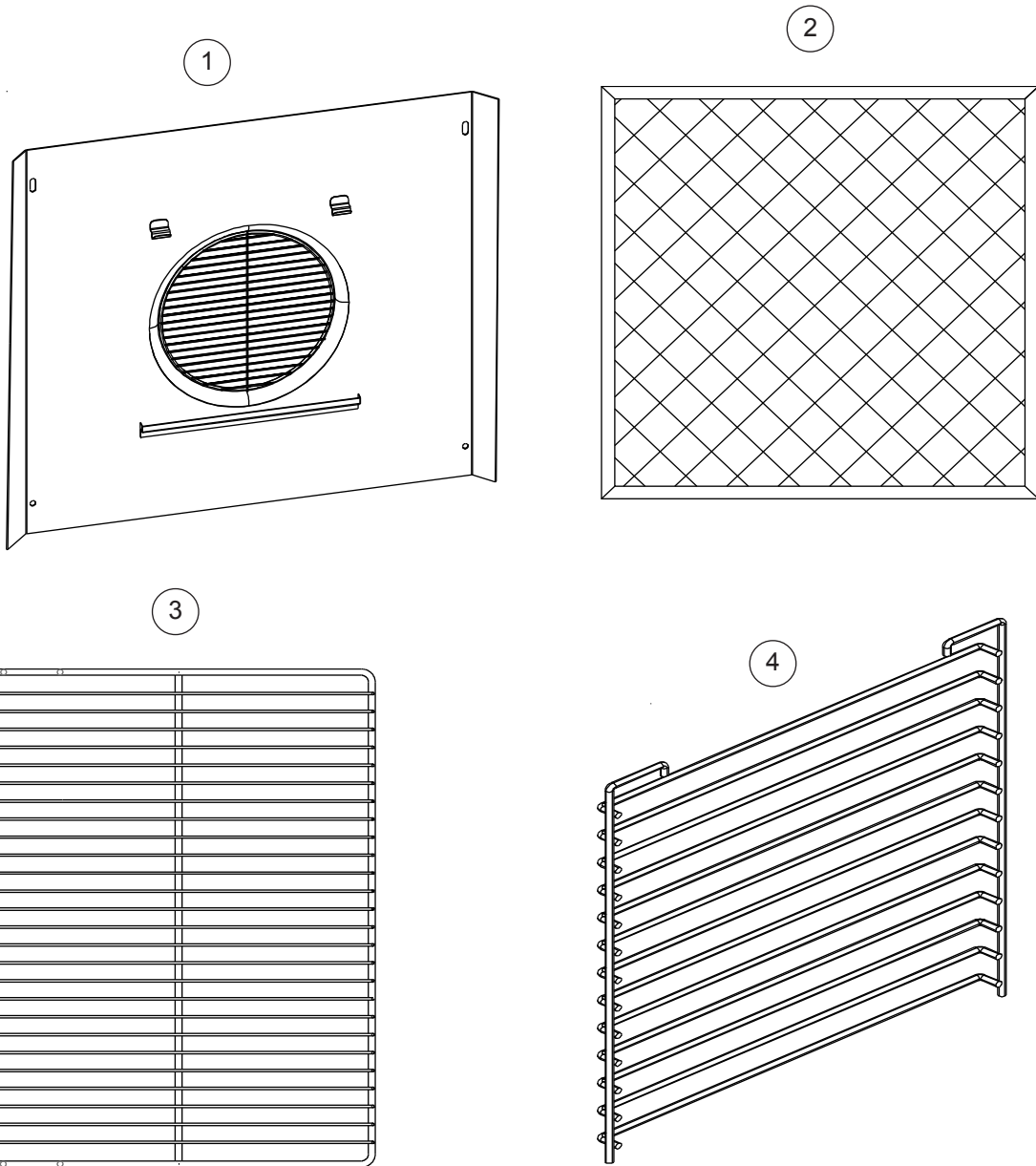
Ref. No.	Part No.	Description
1	R6381	Steam generator assy
	R3959	Insulation, steam generator
2	R2467	Boot, rubber drain
	R2487	Clamp, drain boot large
	R2624	Plug, drain boot
3	R3555	Pump, drain 60hz
	R6870	O'ring, drain pump
	R5690	Bracket, pump mounting
	R2927	Hose, pump outlet 7/8" ID (per foot)
	R0254	Clamp, hose plumbing 7/8"
4	R2814	Hose, steam transfer 1-1/4" ID (per foot)
	R0082	Clamp, plumbing 1-1/4"
6	R6965	Probe assy, dual level sensing (used w/Warrick Board)
7	R5361	Probe only, level sensing
8	R5343	Plate, level sensing
9	R1491	Gasket, switch level
	R2111	Nut, 5/8-18 bulk head, level switch
10	R3141	Probe, level sensing, "J" hook, 3 wire (used w/UE Board)
11	R2926	Plate, "J" hook probe
12	R2843	Probe only, "J" hook
14	R4243	Probe, thermocouple K type
15	R4678	Plate, thermocouple mounting
16	R7248	Gasket, boiler inlet
17	R7260	Plate, burner mounting
18	R7258	Insulation, boiler plate
19	R3954	Gasket, boiler plate
20	R3953	Burner, 12 row
21	M2819	Switch, pressure
22	R3415	Tube, mixing
23	R4511	Blower, combustion
24	R3462	Viewport, mica
25	R3463	Ring, viewport mounting
26	R3163	Holder assy, ignitor
27	R4193	Ignitor, steam generator
	R6233	Gasket, ignitor
28	18256	Flame, sensor
29	R3955	Gasket, boiler transition
31	R5161	Insulation, exhaust transition
32	R3957	End cap, 4"
33	R3608	Tube, gas supply boiler

DIRECT STEAM COMPONENTS



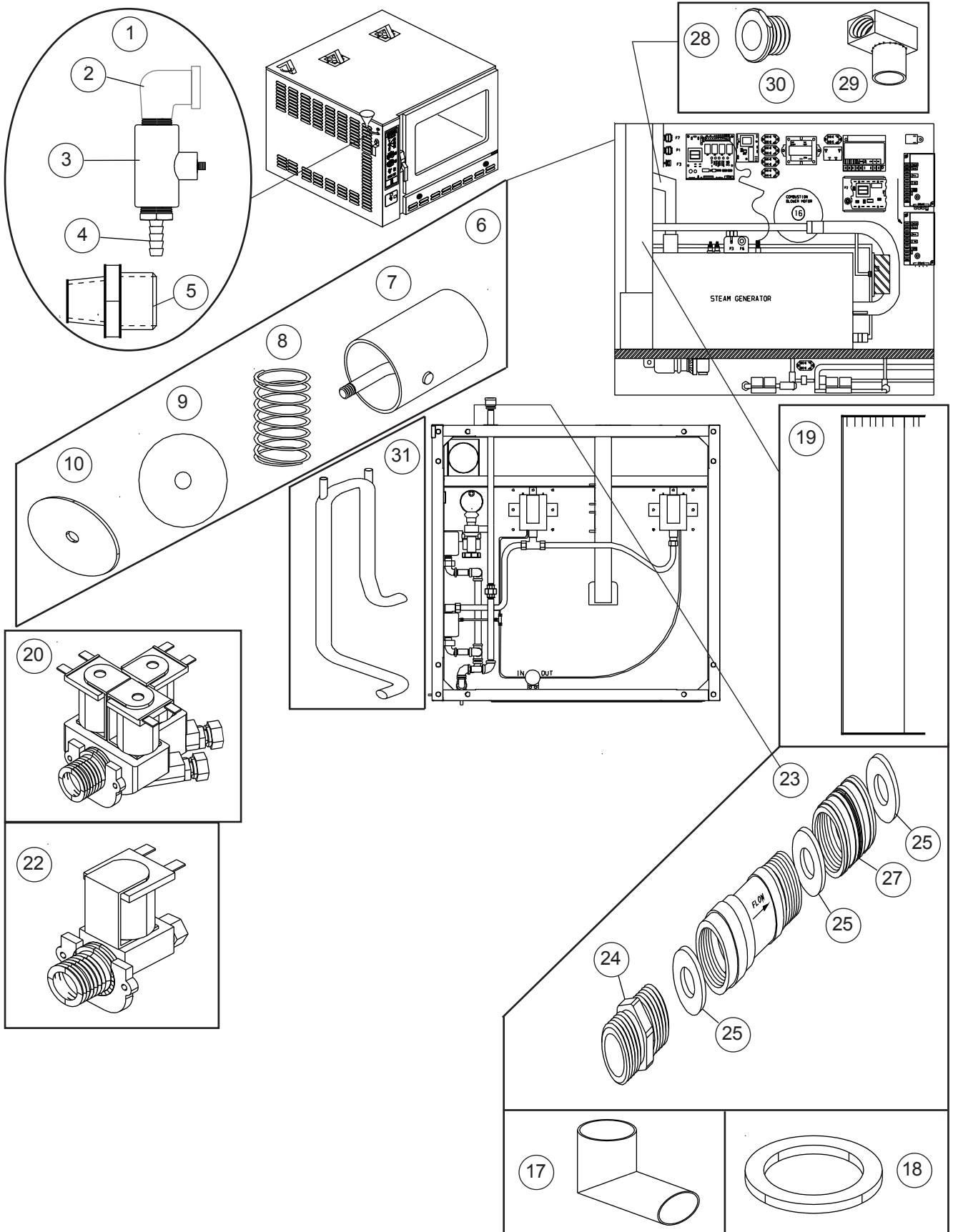
Ref. No.	Part No.	Description
1	R6289	Nipple, 3/4 NPT x 5" Brass
3	R8408	Pipe clamp
4	R7111	Nipple, 3/4 NPT x 4" Brass
6	R7144	Nipple, 3/4 NPT x 2" Brass
7	R6282	Tee, 3/4 NPT, Brass
11	R5956	Gauge
12	R7360	Hose adapter 3/4" hose ID x 3/4 NPT
13	R7406	3/4" ID Beverage hose (per foot)
14	R6285	Elbow, 3/4 NPT, brass
	R7255	Valve, solenoid 3/4 NPT, 208/240V
16	R0254	Clamp, hose
17	R6287	Nipple, 3/4 NPT x 6" brass

INTERIOR COMPONENTS



Ref. No.	Part No.	Description
1	R9270	Baffle assy
2	R3760	Grease filter
3	R3664	Rack, wire s/s
4	R4409	Supports, rack

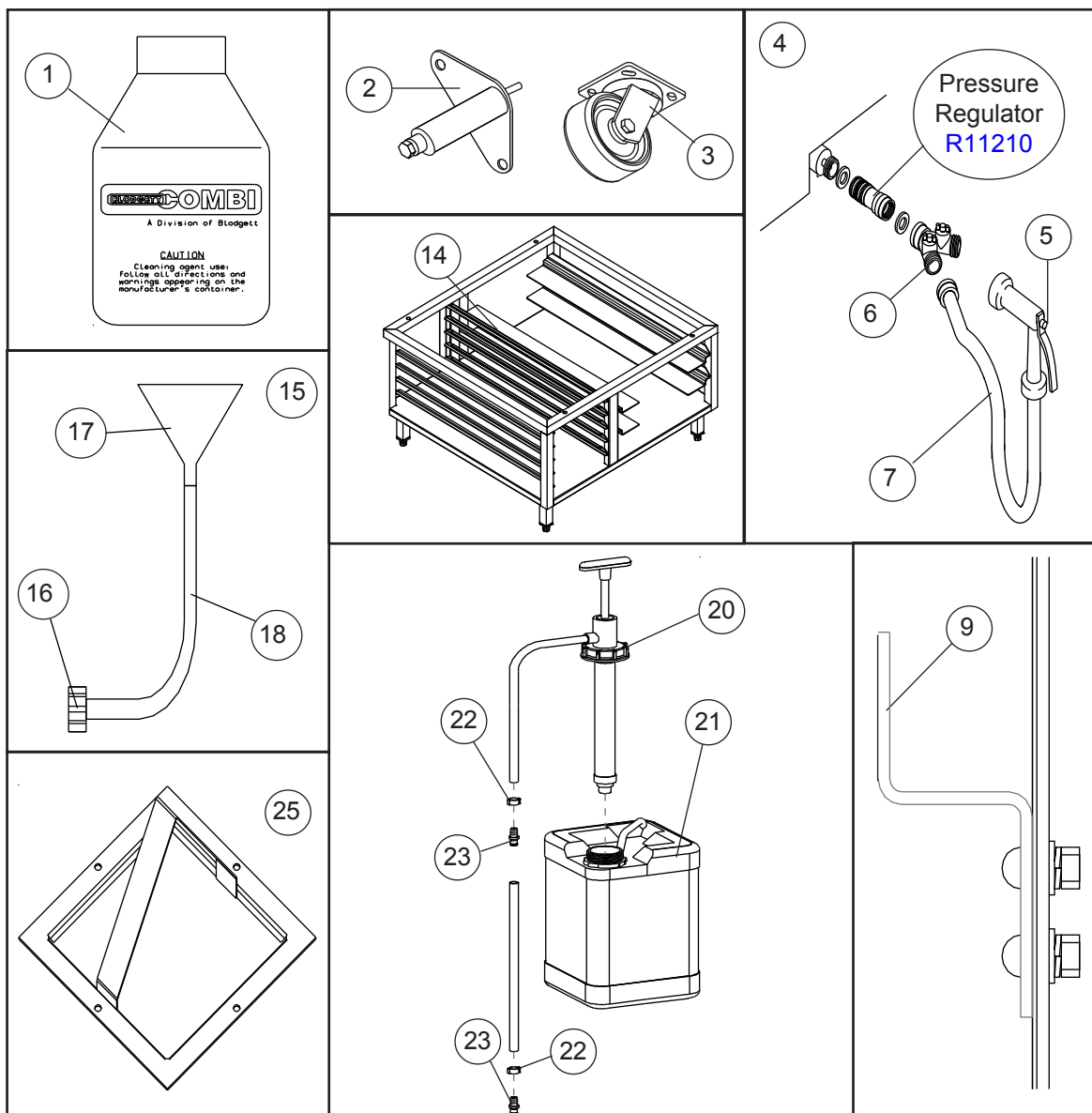
PLUMBING COMPONENTS



PLUMBING COMPONENTS

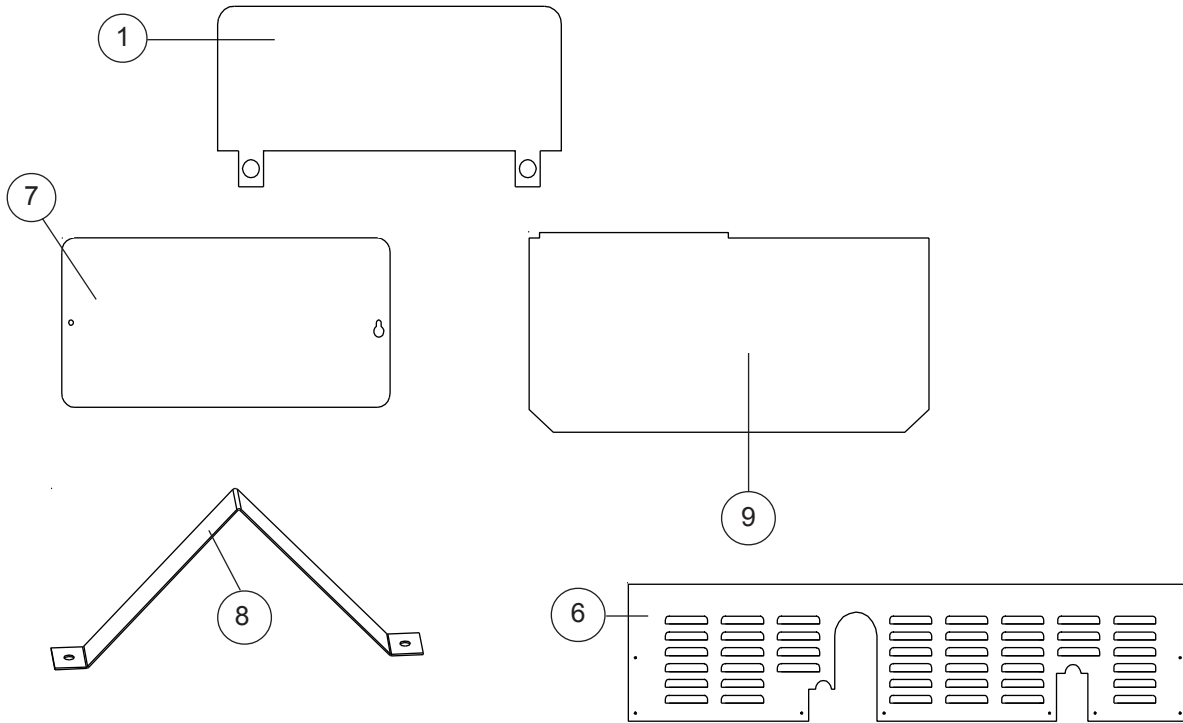
Ref. No.	Part No.	Description
1	R3155	Valve assy, decalcifying (comprised of parts below)
2	R1928	Elbow, street 1/2 NPT
3	R1142	Valve, ball
4	R1198	Fitting, barb 3/8 x 1/2
5	R2998	Adapter, hose decalcifying
	R3079	Gasket, decalcifying inlet
	R3654	Handle, decalcifying valve
	R1325	Cover, drain handle
	R3011	Cap, decalcifying valve
	R11008	Hose, decalcifying 3/8 ID (5 feet)
6	R4891	Overpressure assy, steam (comprised of parts below)
7	R7581	Outlet assy, steam
8	R7575	Spring, pressure relief
9	R2657	Gasket, pressure relief
10	R7570	Cover, pressure relief
	R4242	Nozzle assy, quench
17	R5644	Elbow, drain
18	R2868	Gasket, cavity drain
19	R3956	Flue, boiler
	R3958	Insulation, boiler flue
20	R5095	Solenoid valve assy, triple 115V
	R5077	Valve body, solenoid triple
	R3975	Fitting, .125 NPTX .38 Comp
22	R5096	Solenoid valve assy, single 115V
	R5076	Valve body, solenoid single
	R5074	Coil, solenoid valve 115V
23	R11210	Regulator, pressure
24	R7978	Fitting, 3/4 hose, male
25	R7750	Washer, garden hose
27	R7813	Coupling, 3/4G x 3/4G brass
28	R7050	Venturi assy (comprised of parts listed below)
29	R1317	Elbow assy, venturi
30	R0640	Fitting, straight 1-3/32
	R0729	Washer, flat 13/16
31	R7510	Tube, trap
	R1088	Hose, steam transfer, green, 7/8" ID (per foot)
	R6328	Tube, flex 3/8 x 18"
	R6330	Tube, flex 3/8 x 36"
	R6331	Tube, flex 3/8 x 72"

ACCESSORIES



<u>Ref. No.</u>	<u>Part No.</u>	<u>Description</u>	<u>Ref. No.</u>	<u>Part No.</u>	<u>Description</u>
1	R10955	Bottle, pressure spray		R5453	Stand, ACS-22-8
	R6332	Repair kit, spray bottle (nozzle repair only)	15	R3012	Funnel assy, deliming (comprised of parts below)
2	R3109	Leg set, 4" s/s w/feet	16	R2999	Fitting, swivel decalcifying
	8600	Leg set, 6" s/s w/feet	17	R3000	Funnel, decalcifying
	R2899	Leg set, 25" s/s w/feet	18	R7886	Tube, 3/8 ID
	R5455	Leg set, stands	20	R8860	Hand pump assy
	R5456	Leg set, stands, seismic	21	R8861	Bottle, deliming
3	R6308	Caster kit, low profile	22	R8875	Clamp, hose
	R3112	Caster kit, 5"	23	R8084	Fitting, male hose, barbed
	R5454	Caster kit, stands ACS-18 & ACS-31	25	R3741	Flue Assy, single
	R10899	Hose, spray and nozzle assy 10'		R7835	Coupling, Fernco 1-1/2 (black)
5	R10888	Nozzle, spray		R7437	Stacking kit, venting
6	R0376	"Y" fitting		21242	Connector kit, gas flex 48"
7	R0469	Hose, 8' w/fittings		21826	Connector kit, gas flex 36"
9	R5392	Hook, hose			

BODY BACK AND BOTTOM OPTIONS



Ref. No.	Part No.	Description
1	R5384	Shield, fan s/s
	R5312	Shield, fan ALCT
	R7387	Body back, lower louvered ALCT
7	R5356	Cover, thermostat access s/s
	R3161	Cover, thermostat access ALCT
8	R6213	Cap, flue
9	R4264	Panel, access body bottom