



# MINI COMBI OVENS REPLACEMENT PARTS LIST

**EFFECTIVE JULY 7, 2025**

Superseding All Previous Parts Lists.

The Company reserves the right to make substitution in the event that items specified are not available.

ERRORS: Descriptive and/or typographic errors are subject to correction.

---

**BLODGETT-COMBI**

42 Allen Martin Drive, Essex Junction, Vermont 05452 USA Telephone: (802) 658-6600 Fax: (802) 860-3732

[www.blodgett-combi.com](http://www.blodgett-combi.com)

*P/N 61508 Rev BF*

## **SERIAL NUMBER LOCATION / KEY:**

***IMPORTANT: When ordering parts, please provide the model and serial number of the oven. The identification plate is located on the back of the oven.***

## **SERIAL NUMBER IDENTIFICATION CODE:**

**BS = BLCT-6E PRIOR TO MAY 2025**

**KV = BLCT-6E MAY 2025 TO PRESENT**

**BT = BLCT-10E PRIOR TO MAY 2025**

**KR = BLCT-10E MAY 2025 TO PRESENT**

**NS = BLCT-6EM PRIOR TO MAY 2025**

**KZ = BLCT-6EM MAY 2025 TO PRESENT**

**NT = BLCT-10EM PRIOR TO MAY 2025**

**KT = BLCT-10EM MAY 2025 TO PRESENT**

### **SERIAL NUMBER EXAMPLES**

**011916BS001**

**01/19/16 = DATE**

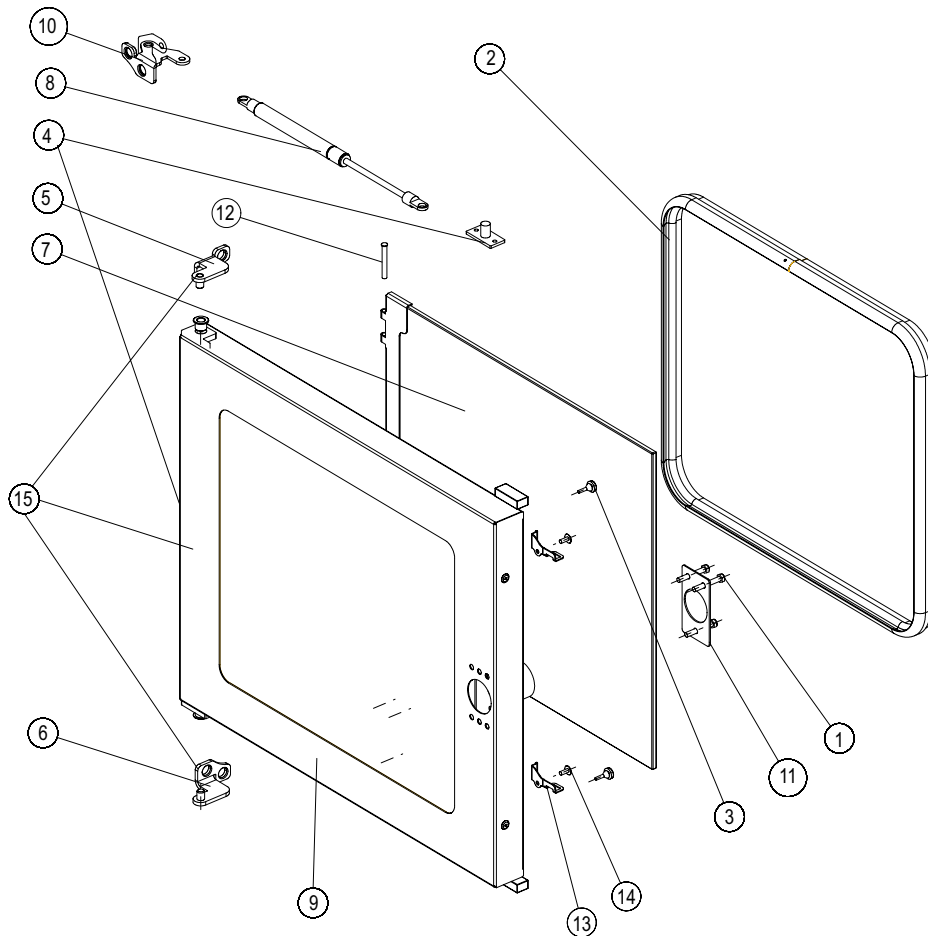
**BS = LETTER CODE FOR BLCT-6E PRIOR TO MAY 2025**

**001 = FACTORY SEQUENCE**

# TABLE OF CONTENTS

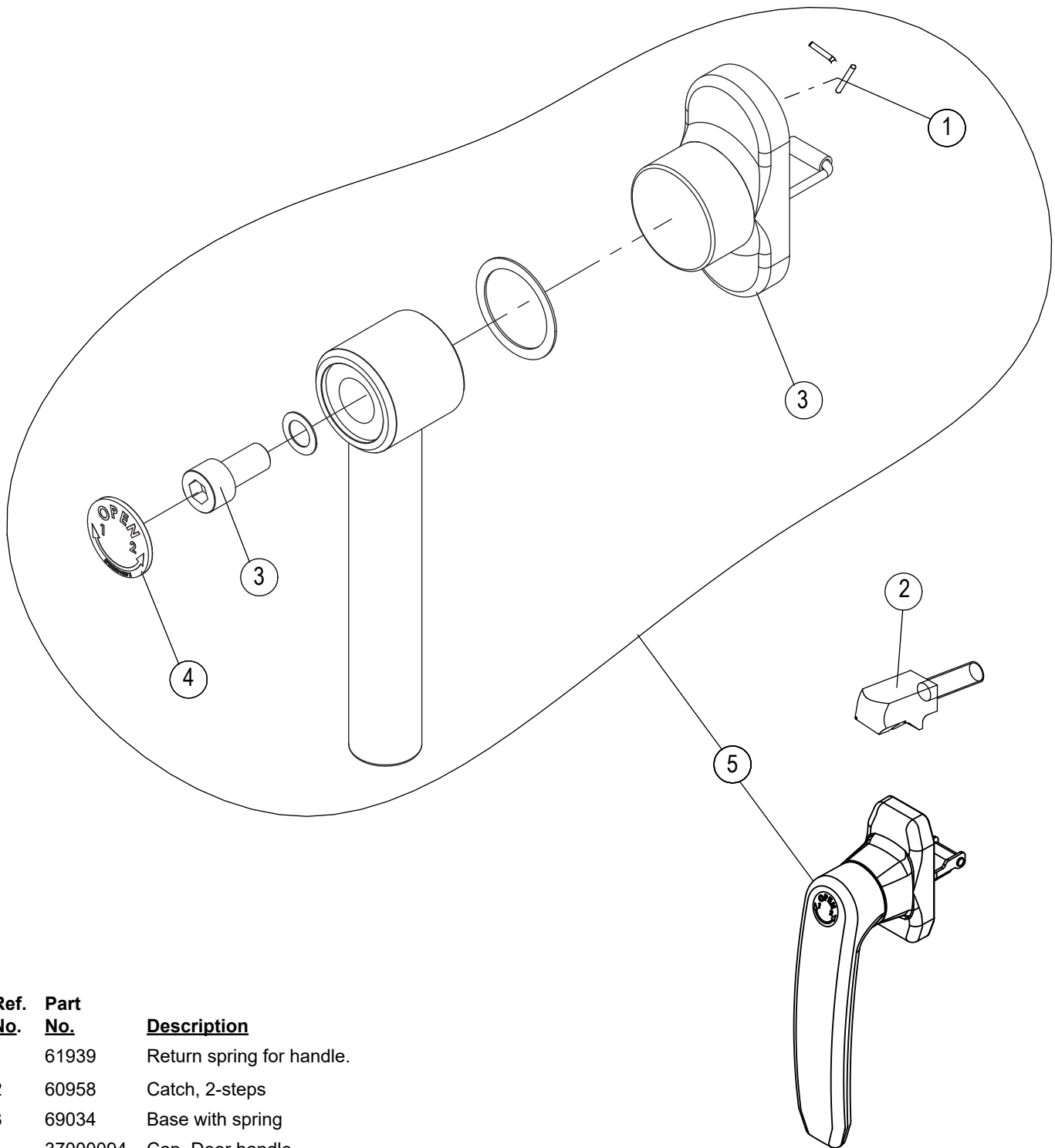
OVEN DOOR.....	4
DOOR HANDLE .....	5
OVEN CAVITY.....	6
MAIN FAN MOTOR/HEATING ELEMENTS .....	7
DAMPER.....	8
OVEN LIGHT .....	9
TOP COVER.....	10
BLCM CONTROL PANEL.....	11
BLCP CONTROL PANEL.....	12
BLCT CONTROL PANEL WITH SIDE ACCESS.....	13
BLCT ONE TOUCH CONTROL PANEL WITH SIDE ACCESS .....	17
BLCT CONTROL PANEL WITHOUT SIDE ACCESS .....	18
ELECTRICAL COMPONENTS (LEFT).....	19
ELECTRICAL COMPONENTS (RIGHT) .....	20
DRAIN .....	21
HANDSHOWER .....	22
CLEANING SYSTEM.....	23
EXTRACTION HOOD .....	25
AIR INTAKE FILTER.....	26
STANDS.....	27

# OVEN DOOR



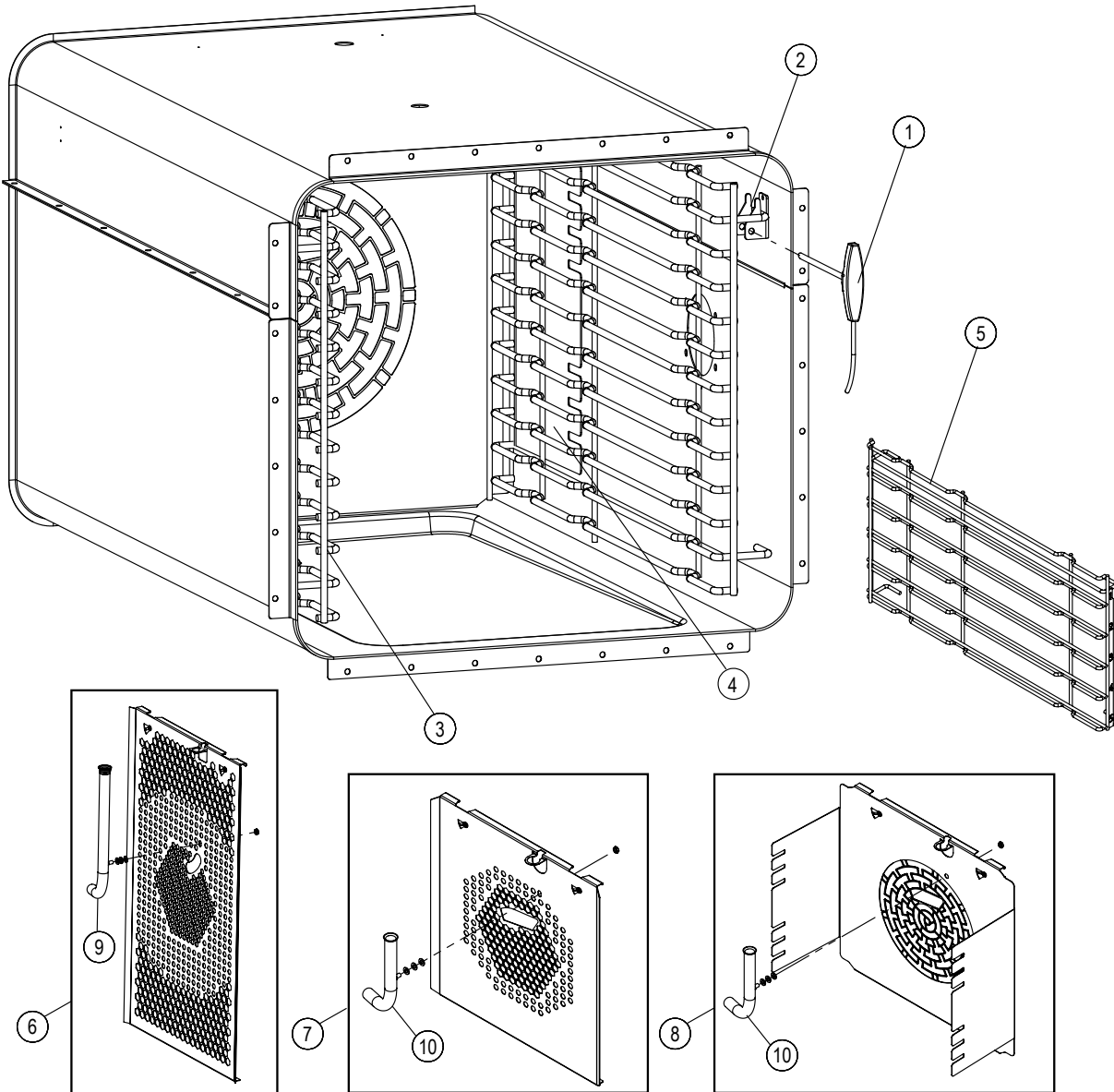
<b>Ref. No.</b>	<b>Part No.</b>	<b>Description</b>	<b>Ref. No.</b>	<b>Part No.</b>	<b>Description</b>
1	61932	Screw Set M5 x 35 A2	9	40410006	Oven Door CSII 10 pan
2	60959	Door Gasket 2/3 & 6 pan	10	62520	Hinge marine top left CSII
	62479	Door Gasket - Wendy's	10	62521	Hinge marine top right CSII
2	60960	Door Gasket 10 pan	11	62250	Reinforcement to handle CSII
3	61561	Rubber stopper interior glass Ø12mm	12	40400016	Pin for interior glass CS
4	63736	Marine Door, MINI6 LHH	13	62393	Interior glass holder
4	63737	Marine Door, MINI6 RHH	14	62392	Pop rivet Ø4x10
4	63738	Marine Door, MINI10 LHH	15	61540	Door & Hinge Kit 6 pan
4	63739	Marine Door, MINI10 RHH	15	61343	Door & Hinge Kit 10 pan
5	62247	Hinge upper left Universal CSI & CSII	37000094		Cap, door handle
6	62248	Hinge lower left Universal CSI&CSII	60957		Door handle kit w/cap
7	62249	Interior glass 2/3 & 6 pan	62247		Hinge, upper left
7	40420004	Interior glass 10 pan	62248		Hinge, lower left
8	31557	Gas spring 50n	62246		Door Assembly
9	62246	Oven Door CSII 2/3 & 6 pan	40400007		Hinge Bushing

# DOOR HANDLE



<b>Ref. No.</b>	<b>Part No.</b>	<b>Description</b>
1	61939	Return spring for handle.
2	60958	Catch, 2-steps
3	69034	Base with spring
4	37000094	Cap, Door handle
5	60957	Handle cpl., kit for ovens manufactured between 6/1/2022 and 3/1/2024
5	63810	Service Handle for ovens manufactured prior to 6/1/2022 and after 3/1/2024

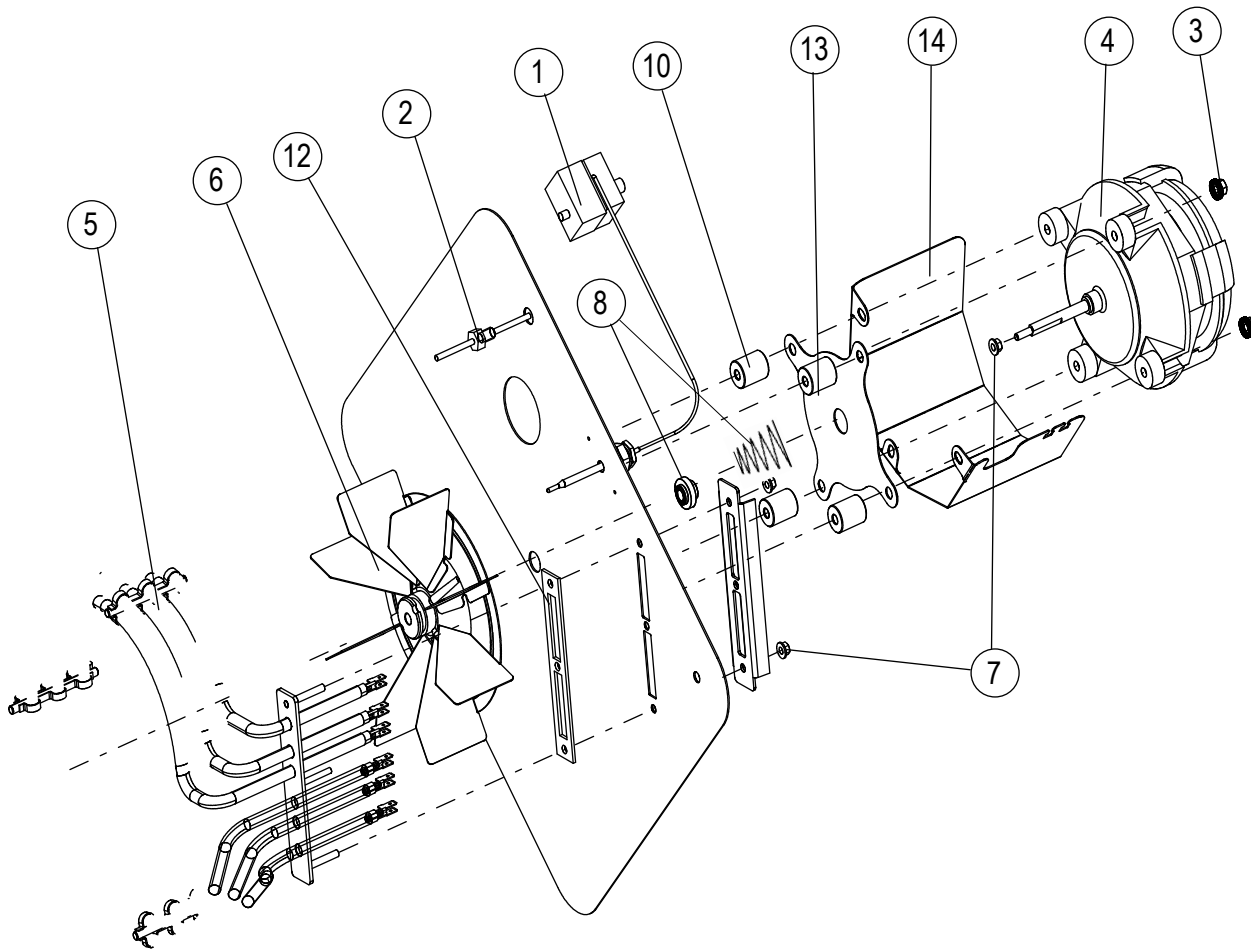
# OVEN CAVITY



<b>Ref. No.</b>	<b>Part No.</b>	<b>Description</b>
1	30820031	Core probe L=2000 mm CS
3	61588	Rack kit CS 2/3 pan
3	61410	Rack kit CS 6 pan
3	61589	Rack kit CS 10 pan
4	61585	Air guide plate CS 6 pan
4	61586	Air guide plate CS 10 pan right
4	61587	Air guide plate CS 10 pan left
5	62984	Side Rack Set (McDonalds) 2.25" spacing
	61232	Side Rack LHG (BK,McD,Wen) 2.4" spacing

<b>Ref. No.</b>	<b>Part No.</b>	<b>Description</b>
	61233	Side Rack RHG (BK,McD,Wen) 2.4" spacing
	62711	Side Rack, LH 10EH Country Fair
	62712	Side Rack, RH 10EH Country Fair
6	40120001	Interior baffle with pipe 10 pan
7	61583	Interior baffle with pipe, w/o airguard 2/3 & 6 pan
8	62274	Interior baffle with pipe 2/3 & 6 pan
9	30310251	Tube, baffle, 10 pan
10	62598	Tube, baffle, 2/3 & 6 pan

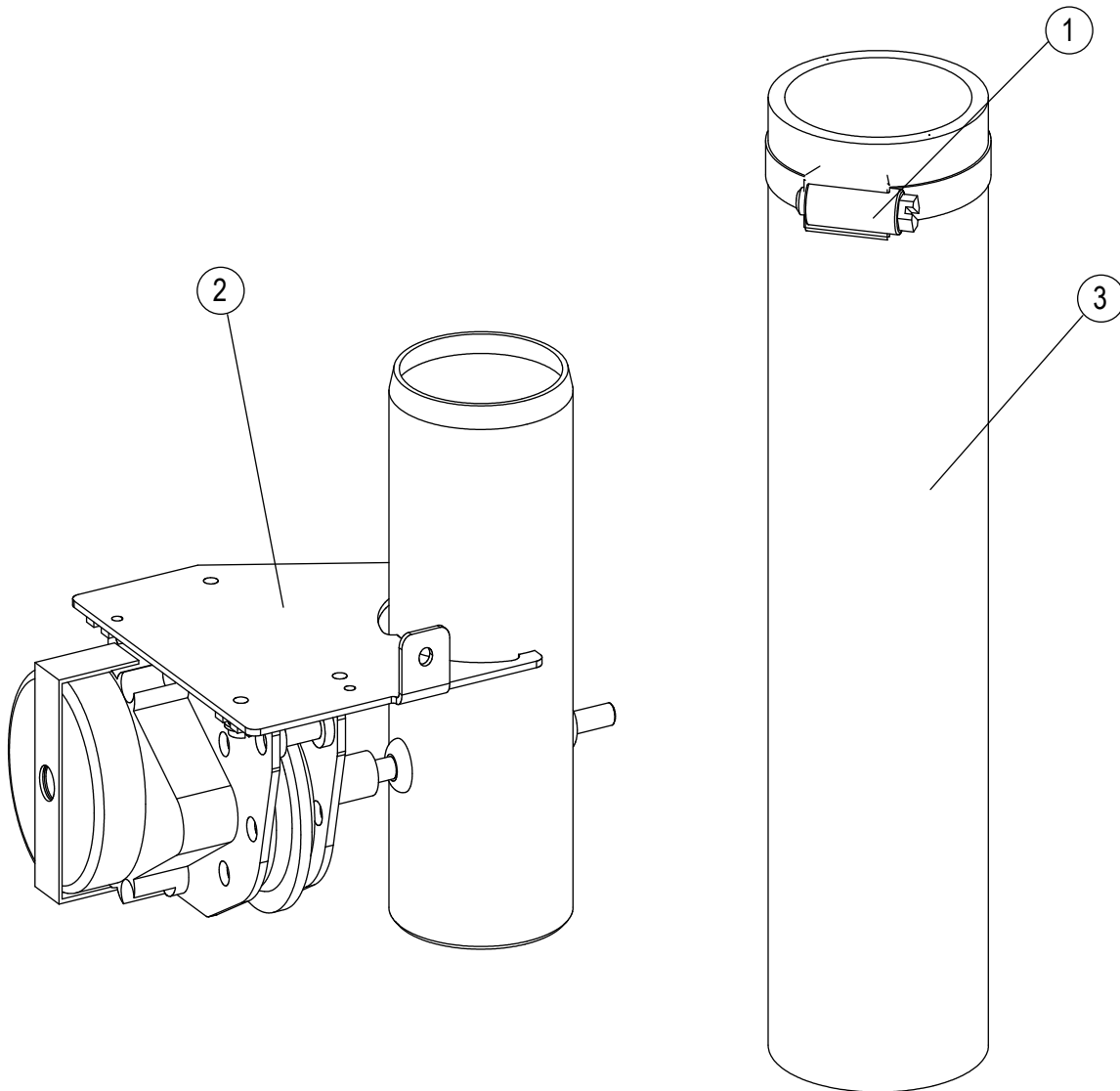
# MAIN FAN MOTOR/HEATING ELEMENTS



Ref. No.	Part No.	Description
1	61187	Thermoswitch 350°C (Hi Limit)
2	60323	Temperature sensor air 350°C
3	61323	Nut M6 w/flange, serrated
4	61926	Fan Motor CS II 3X230V Kit w/Shaft Seal
5	62715	Heating element w/gasket 6900-9200W 208-240V
5	61577	Heating element w/gasket 5400-7200W 208/230/240V cpl., CS1, 2/3
5	61578	Heating element w/gasket 5400-5800W 400/415V cpl., CS1, 2/3
5	61579	Heating element w/gasket 5400-6500W 440/480V cpl., CS1, 2/3
5	61580	Heating element w/gasket 6900-9200W 208/230/240V cpl., CS1, 6 pan
5	61499	Heating element w/gasket 10400-13850W 208/230/240V cpl., CS1 & CSII, 10 pan

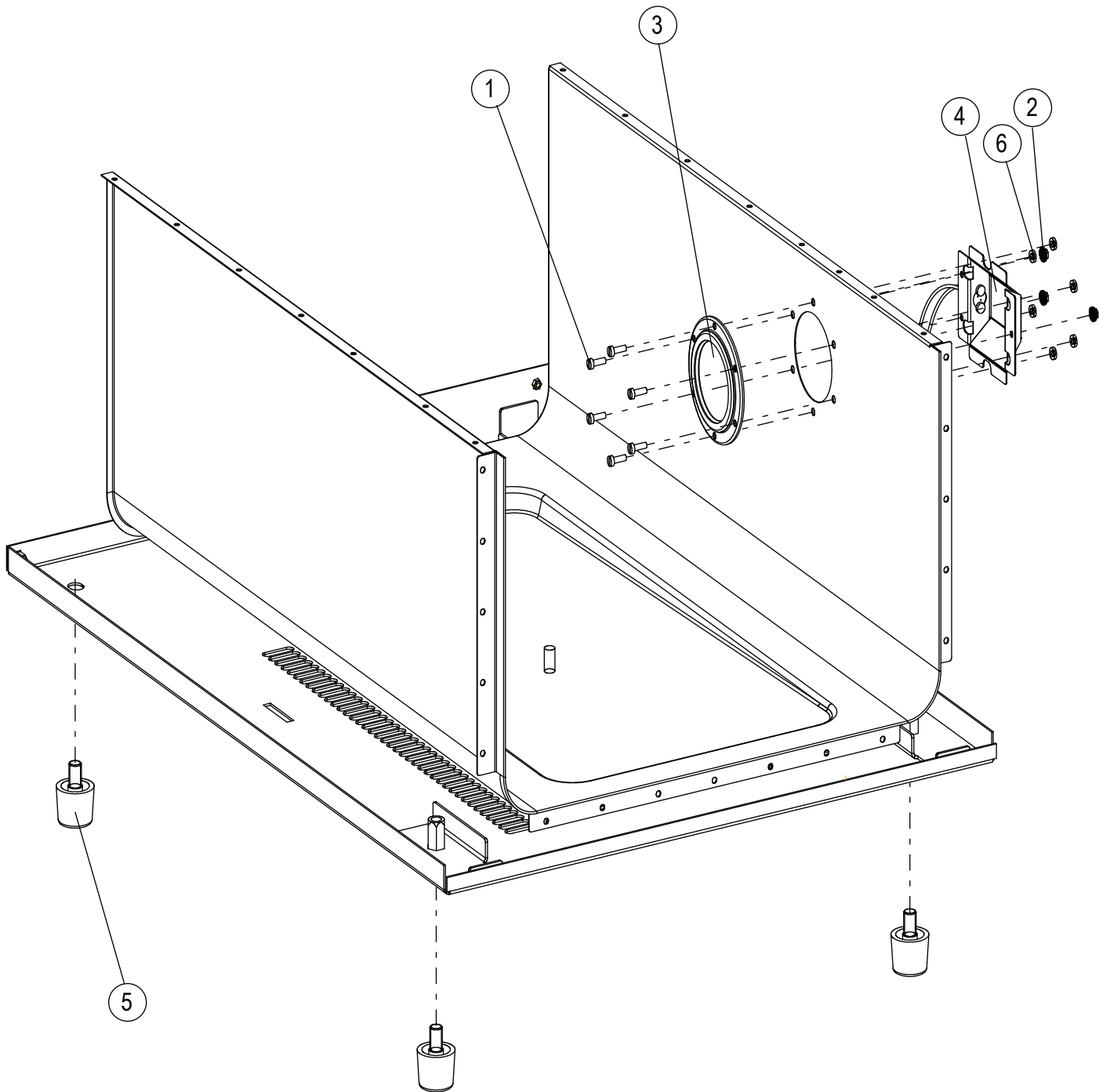
Ref. No.	Part No.	Description
5	61581	Heating element w/gasket 10400-12400W 256/277V cpl, CS1 & CSII, 10 pan
6	61824	Fan wheel CS V3
7	60563	Nut M5 A2 w/flange, serrated
8	61972	Motor Shaft Seal & Spring
10	62270	Spacer for Motor bracket CSII.1
12	61576	Gasket for heating element, CS1, 23 & 6
12	61575	Gasket for heating element, CS2, 23, 6 & 10
13	61754	Plate for motor CS
14	62275	Motor Cover CS
	61746	Element, CSII BLC6E, 3 phase

# DAMPER



<b>Ref. No.</b>	<b>Part No.</b>	<b>Description</b>
1	60910	Hose clamp Ø46-Ø64
2	61309	Exhaust w. damper motor
3	62487	Hose for damper valve (blue) 220MM / 9", 2/3 & 6
3	62488	Hose for damper valve (blue) 110MM / 13", 10
3	61565	Hose for damper valve (Blue hose sold by inch)

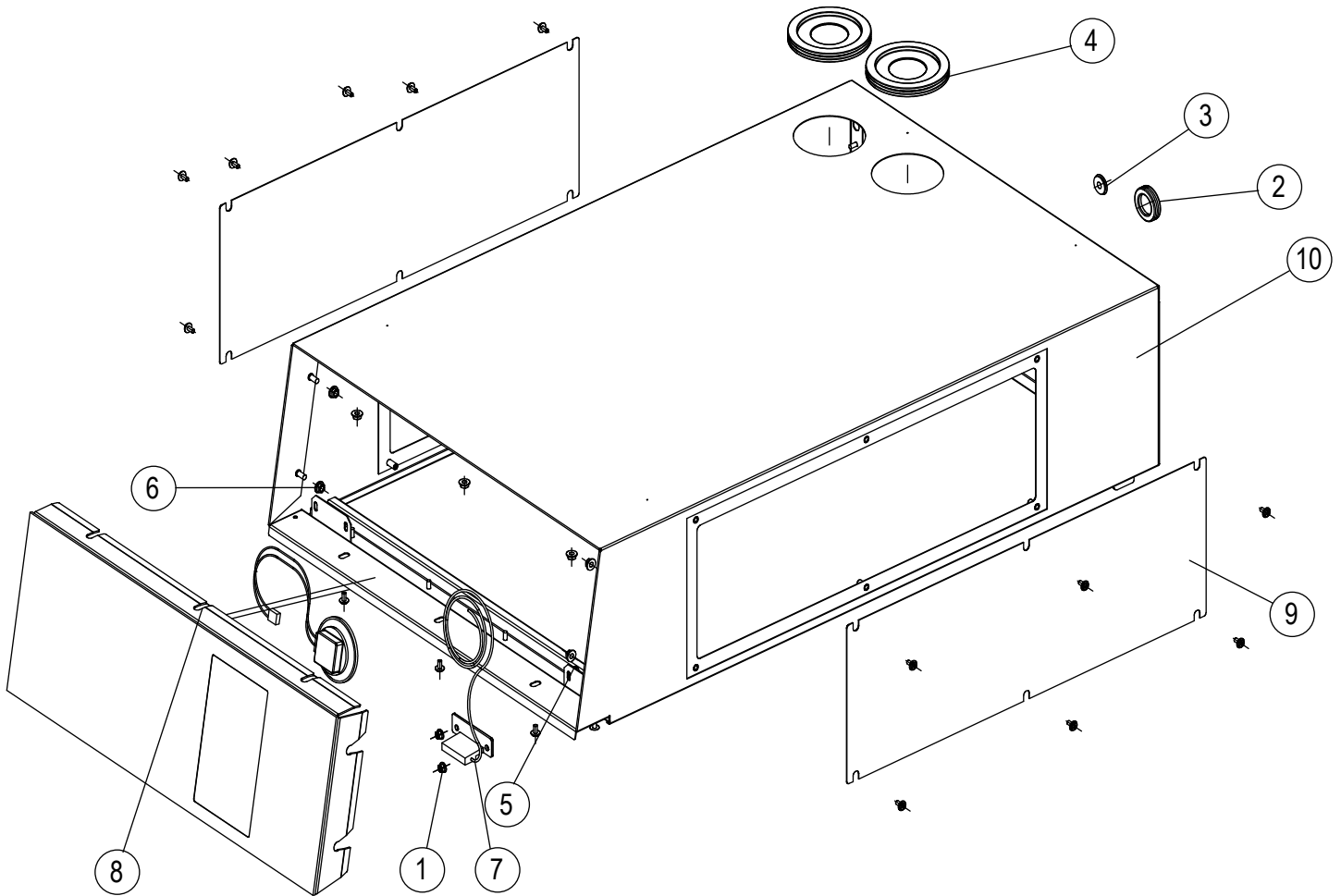
# OVEN LIGHT



Ref. No.	Part No.	Description
1	60041	Screw M4 x 12
2	60069	Nut, Hex Flange, M3 A2
3	53081	Lamp Glass, Halogen, with gasket
4	62397	Lamp housing
	65045	Bulb

Ref. No.	Part No.	Description
5	61452	Rubber feet CS
6	60086	Washer 3mm
	60874	Leg set, 4" adjustable (not shown)

# TOP COVER

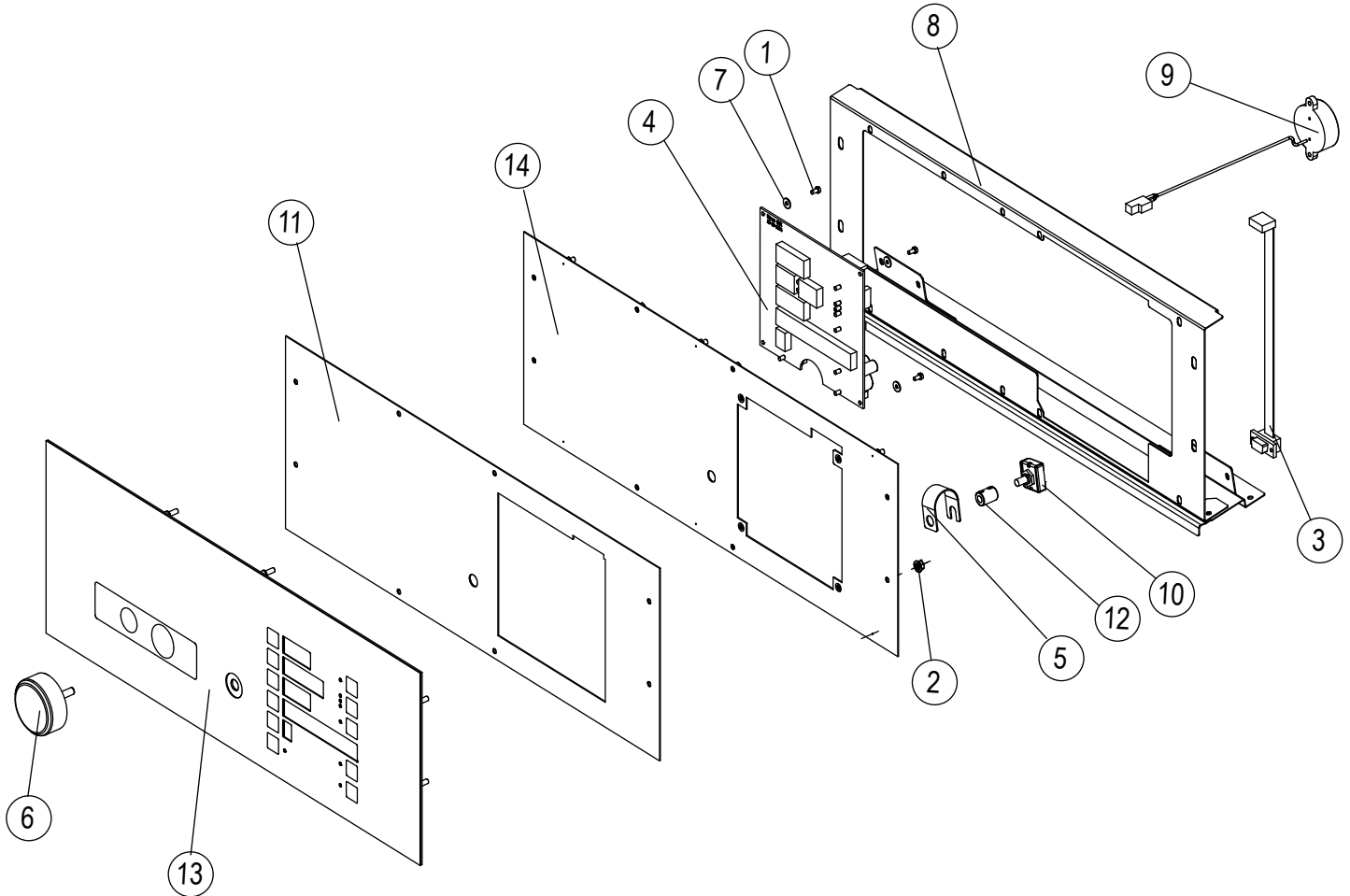


Ref. No.	Part No.	Description
1	62288	Nut flange w Toothing M4
2	62289	Membrane grommet Ø28
3	60896	Rubber plug, Ø20 x Ø14.9, black
4	61592	Gasket for exhaust CS
5	60040	Screw M4 x 8
6	60563	Nut M5 A2 w/flange, serrated
7	60575	Sensor for door
8		See following control panel pages

Ref. No.	Part No.	Description
9	61967	Inspection panel CSII 6 & 10 pan
10	61594	Top Cover CSI 2/3 pan
10	61595	Top cover CSI 6 & 10 pan
10	62398	Top Cover CSII 2/3 pan
10	62399	Top Cover CSII 6 & 10 pan
10	61966	Top Cover w inspection CSII 6 & 10 pan

# BLCM CONTROL PANEL

## MANUAL CONTROL OPTION

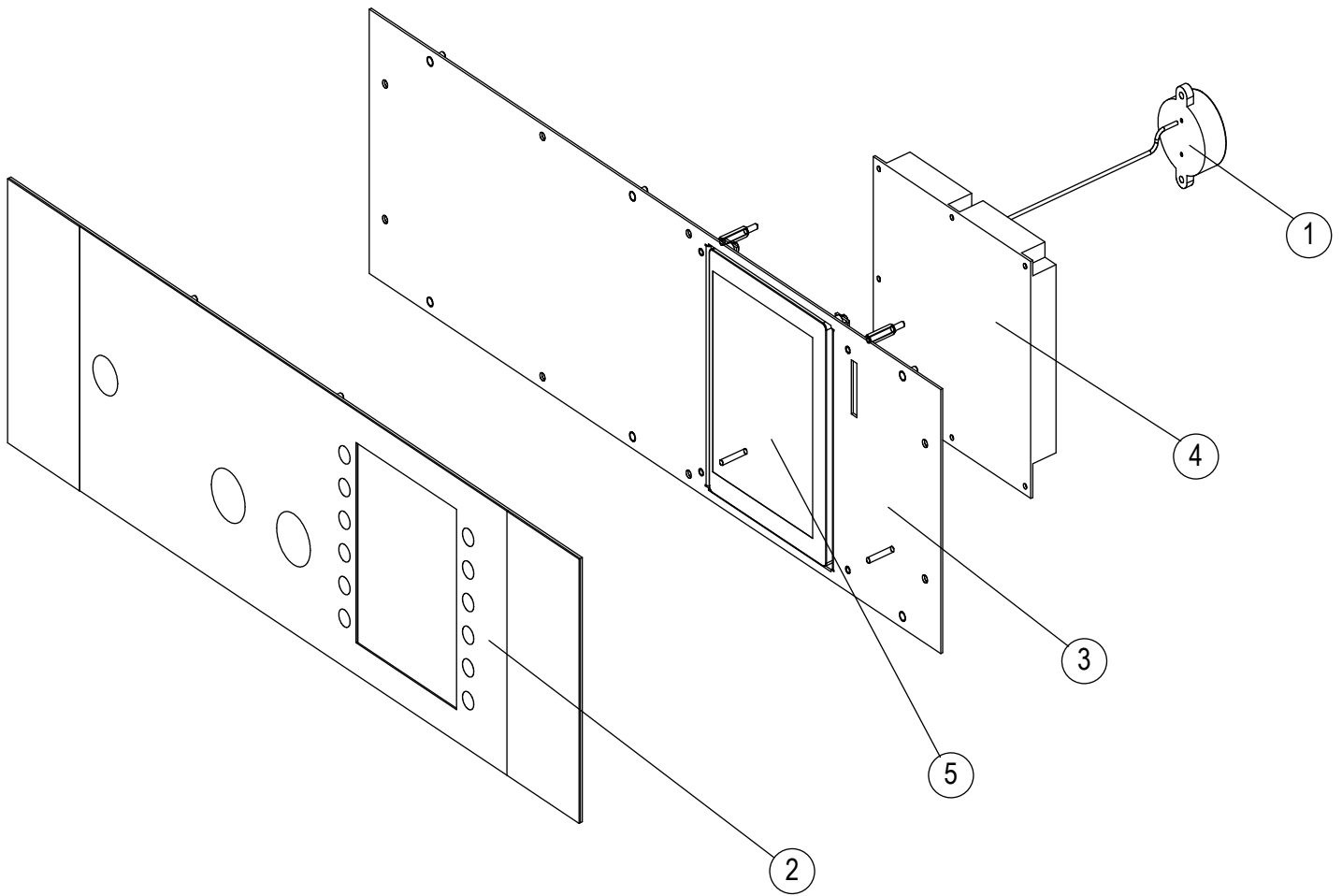


Ref. No.	Part No.	Description
1	60037	Screw CH M3 x 6
2	62288	Nut flange w Tothing M4
3	61725	Ribbon cable DB9 plug BCK controller
4	61029	Computer BCM CombiSlim
5	60342	Plastic brace for turn button
6	60344	Turn button
7	60086	Washer 3mm
8	62448	Abutment plate frame CS II
9	60582	Buzzer
10	60341	Encoder

Ref. No.	Part No.	Description
11	61727	Seal for Control Panel CS B/C/K
12	60338	Shaft, coupling Ø6/Ø6
13	62443	Abutment plate panel C model
13	60956	Abutment plate panel CSII C model
14	62444	Rear plate f keypad CSII BCK
	60956	Plate abutment BCM (red)
	61954	Plate abutment BCM CSII (black)
	61593	CS control gasket
	60341	Encoder

# BLCP CONTROL PANEL

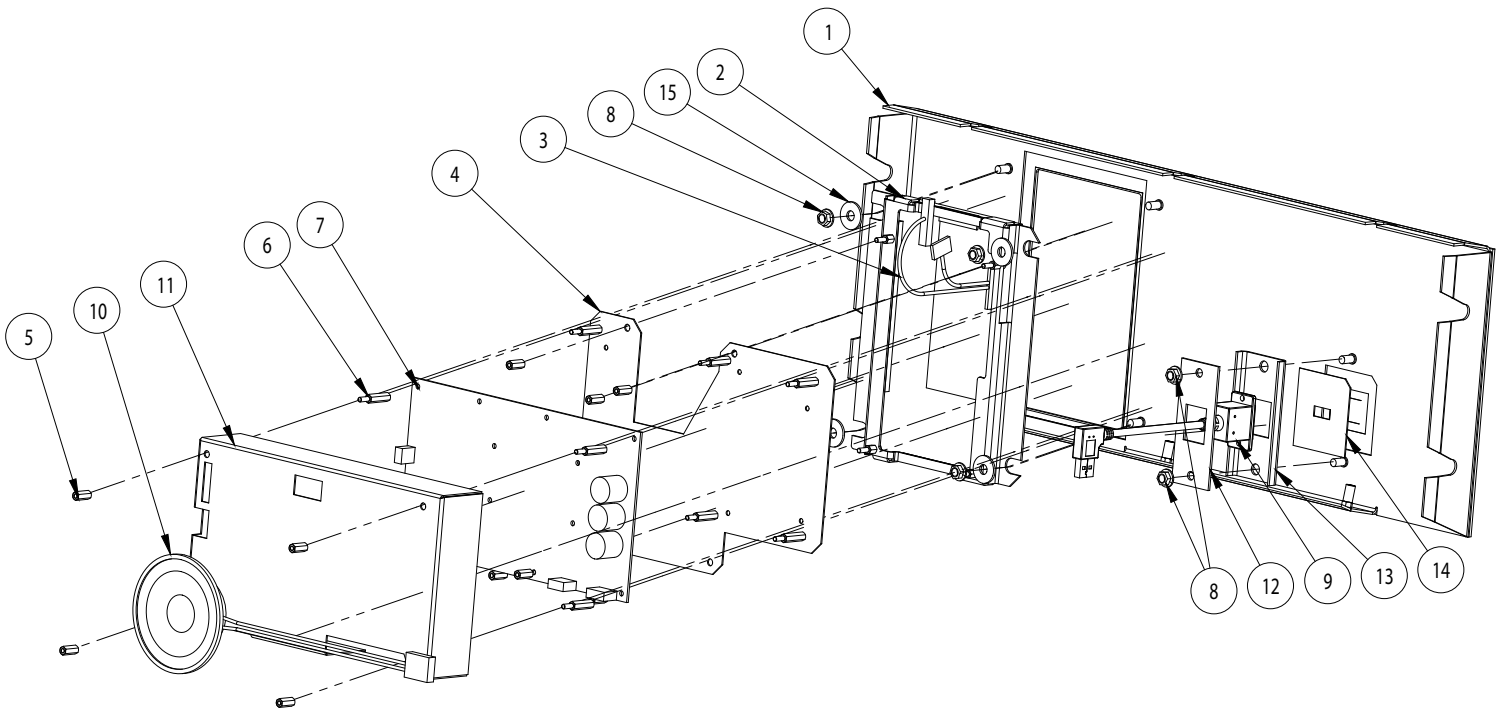
## PROGRAMMABLE CONTROL OPTION



<b>Ref. No.</b>	<b>Part No.</b>	<b>Description</b>
1	60582	Buzzer
2	60955	Abutment plate w/operation panel Blodgett, BCP
3	62446	Display. back plate, CSI CPE
4	61028	CPU, BCP
5	61464	Display, 5.7" TFT

# BLCT CONTROL PANEL WITH SIDE ACCESS

TOUCHSCREEN CONTROL OPTION FOR OVENS BUILT BEFORE 12/14/2022



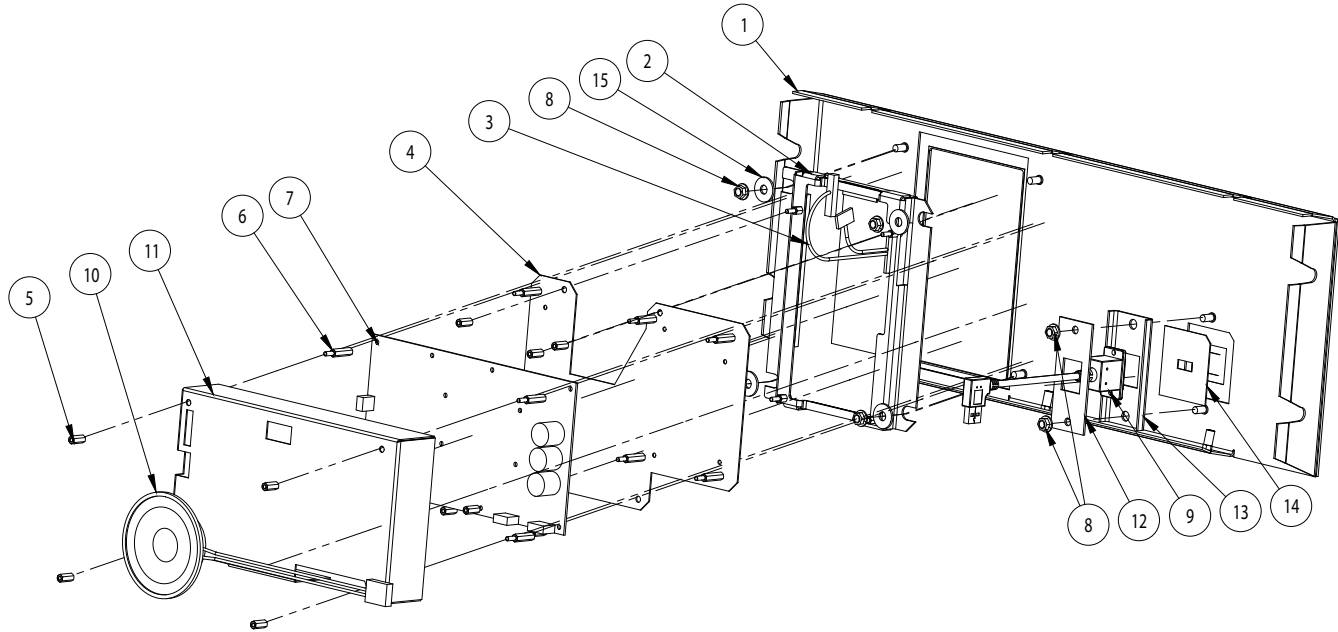
# BLCT CONTROL PANEL WITH SIDE ACCESS

## TOUCHSCREEN CONTROL OPTION FOR OVENS BUILT BEFORE 12/14/2022

<b>Ref. No.</b>	<b>Part No.</b>	<b>Description</b>	<b>Ref. No.</b>	<b>Part No.</b>	<b>Description</b>
1	61965	Touchscreen Control Panel	8	60563	M5 A2 W/ Flange, Serrated Nut
2	63618	Kit, Display w/USB & Mouse CSII REV 8+	9	62330	Right Angle CSII USB Cable
3	61827	Cable for 7" touch display	10	61804	Loud Speakers - 4 ohm
4	36020037	CPU Bracket	11	62255	TS control cover
5	60071	Hex Standoff M3 X 12	12	62665	USB Support Bracket
6	60591	Staybolt brass M3x18 with threaded pin	13	62666	USB Bracket
7	61838	CPU - Touchscreen Control (General Market)	14	62664	Magnet Plate
7	61449	CPU – Touchscreen Control (Burger King)	15	60090	6mm Washer
7	62237	CPU – Touchscreen Control (Burger King w/ Hoodini)	63595		CSII Touch display assembly, reinforced OL (Wendy's after 08/10/17, McDonalds after 11/14/18, Burger King after 01/24/19) Includes item 2-4
7	61533	CPU – Touchscreen Control (Wendy's)	62490		Keypad frame Cpl. f. CSII Blodgett BCT (Wendy's after 08/10/17, McDonalds after 11/14/19, Burger King after 01/24/19) Includes items 1
7	61859	CPU – Touchscreen Control (Wendy's CA)	62669		CSII Control panel, w/display and reinforced OL (for side access controls)
7	61820	CPU Touchscreen Control (Smithfield)	62673		CSII Control panel, w/display and reinforced OL (for side access controls) and software update
7	61927	CPU – Touchscreen Control (McDonald's 6)			
7	61928	CPU – Touchscreen Control (McDonald's 6 w/ Hoodini)			
7	62501	CPU - Touchscreen Control (Wendy's REOL after 08/10/17)			
7	62503	CPU - Touchscreen Control (Wendy's CA REOL after 08/10/17)			
7	62931	CPU - Touchscreen Control (Country Fair, 10 w/Hoodini)			
7	62793	Touchscreen Control (Burger King 6 with REOL after 01/24/19)			
7	62792	Touchscreen Control (Burger King 6 with Hoodini & REOL after 01/24/19)			
7	63480	CPU – Touchscreen Control (Wendy's w/ Hoodini)			

# BLCT CONTROL PANEL WITH SIDE ACCESS

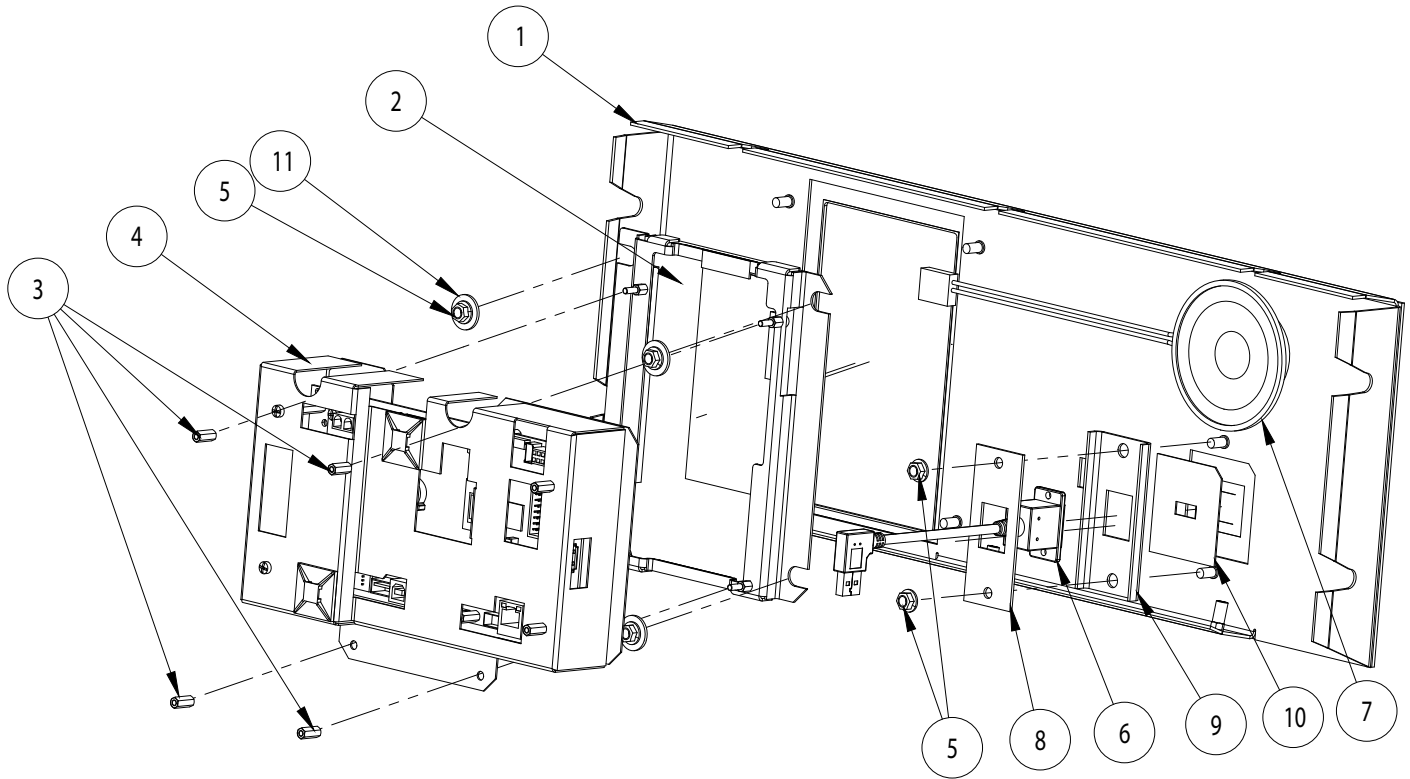
TOUCHSCREEN CONTROL OPTION FOR OVENS BUILT AFTER 12/13/2022 BUT BEFORE 7/17/2023 FOR BLCT6E AND BLCT10E AND BEFORE 7/21/2023 FOR BLCT6EH AND BLCT10EH



<b>Ref. No.</b>	<b>Part No.</b>	<b>Description</b>	<b>Ref. No.</b>	<b>Part No.</b>	<b>Description</b>
1	61965	Touchscreen Control Panel w/decal	7	62501	CPU - Touchscreen Control (Wendy's REOL after 08/10/17)
2	63591	Display Assy, CSII w/Brkt & HW Kit, Rev 8+	7	62503	CPU - Touchscreen Control (Wendy's CA REOL after 08/10/17)
3	61827	Cable for 7" touch display	7	62931	CPU - Touchscreen Control (Country Fair, 10 w/Hoodini)
4	36020037	CPU Bracket	7	62793	Touchscreen Control (Burger King 6 with REOL after 01/24/19)
5	60071	Hex Standoff M3 X 12	7	62792	Touchscreen Control (Burger King 6 with Hoodini & REOL after 01/24/19)
6	60591	Staybolt brass M3x18 with threaded pin	7	63480	CPU – Touchscreen Control (Wendy's w/ Hoodini)
7	61838	CPU - Touchscreen Control (General Market)	8	60563	M5 A2 W/ Flange, Serrated Nut
7	61449	CPU – Touchscreen Control (Burger King)	9	62330	Right Angle CSII USB Cable
7	62237	CPU – Touchscreen Control (Burger King w/ Hoodini)	10	61804	Loud Speakers - 4 ohm
7	61533	CPU – Touchscreen Control (Wendy's)	11	62255	TS control cover
7	61859	CPU – Touchscreen Control (Wendy's CA)	12	62665	USB Support Bracket
7	61820	CPU Touchscreen Control (Smithfield)	13	62666	USB Bracket
7	61927	CPU – Touchscreen Control (McDonald's 6)	14	62664	Magnet Plate
7	61928	CPU – Touchscreen Control (McDonald's 6 w/ Hoodini)	15	60090	6mm Washer

# BLCT CONTROL PANEL WITH SIDE ACCESS

TOUCHSCREEN CONTROL OPTION FOR OVENS BUILT AFTER 7/16/2023 FOR BLCT6E AND BLCT10E AND AFTER 7/20/23 FOR BLCT6EH AND BLCT10EH  
ENDING MAY 2025

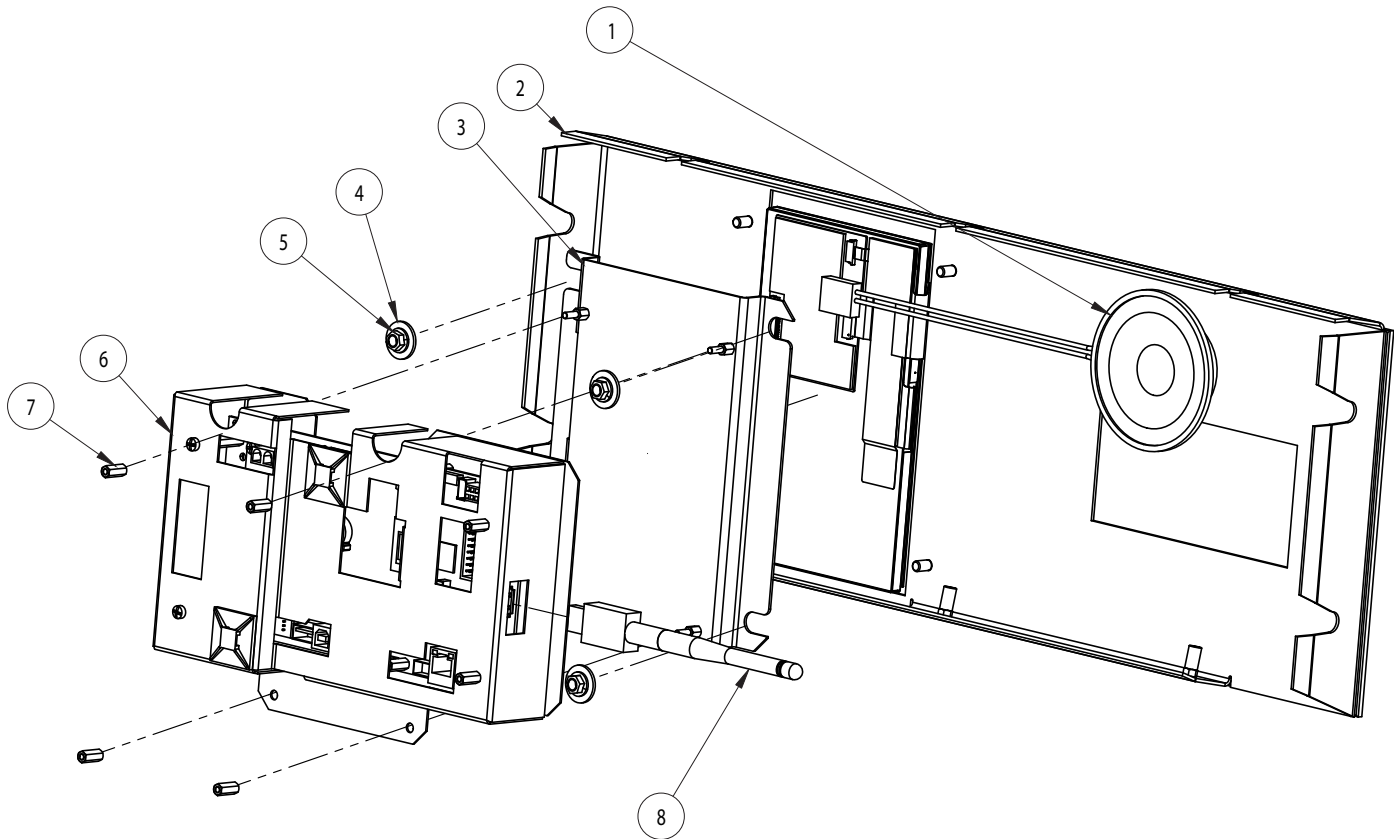


Ref. No.	Part No.	Description
1	61965	Touchscreen Control Panel w/decal
2	63656	7" Display Replacement Kit
3	60071	Hex Standoff M3 X 12
4	63616	KIT, VCUX CPU REPL, 6EH GM
4	63626	KIT, VCUX CPU REPL, 10EH GM
4	63627	KIT, VCUX CPU REPL, 6E W
4	63628	KIT, VCUX CPU REPL, 6E W CN
4	63629	KIT, VCUX CPU REPL, 6E W REOL
4	63630	KIT, VCUX CPU REPL, 6E W CN REOL
4	63631	KIT, VCUX CPU REPL, 6EH W REOL
4	63647	KIT, VCUX CPU REPL, 6E MCD
4	63648	KIT, VCUX CPU REPL, 6EH MCD
4	63649	KIT, VCUX CPU REPL, 6EH MCD REOL
4	63650	KIT, VCUX CPU REPL, 6E MCD REOL
4	63651	KIT, VCUX CPU REPL, 6E BK

Ref. No.	Part No.	Description
4	63652	KIT, VCUX CPU REPL, 6EH BK
4	63653	KIT, VCUX CPU REPL, 6EH BK REOL
4	63654	KIT, VCUX CPU REPL, 6E BK REOL
4	63770	KIT, VCUX CPU REPL, 6E COSMC
4	63771	KIT, VCUX CPU REPL, 6EH COSMC
5	60563	M5 A2 W/Flange with Serrated Nut
6	62330	Right Angle CSII USB Cable
7	61804	Loud Speaker - 4 OHM
8	62665	USB Support Bracket
9	62666	USB Bracket
10	62664	Magnet Plate
11	60090	6mm Washer

# BLCT ONE TOUCH CONTROL PANEL WITH SIDE ACCESS

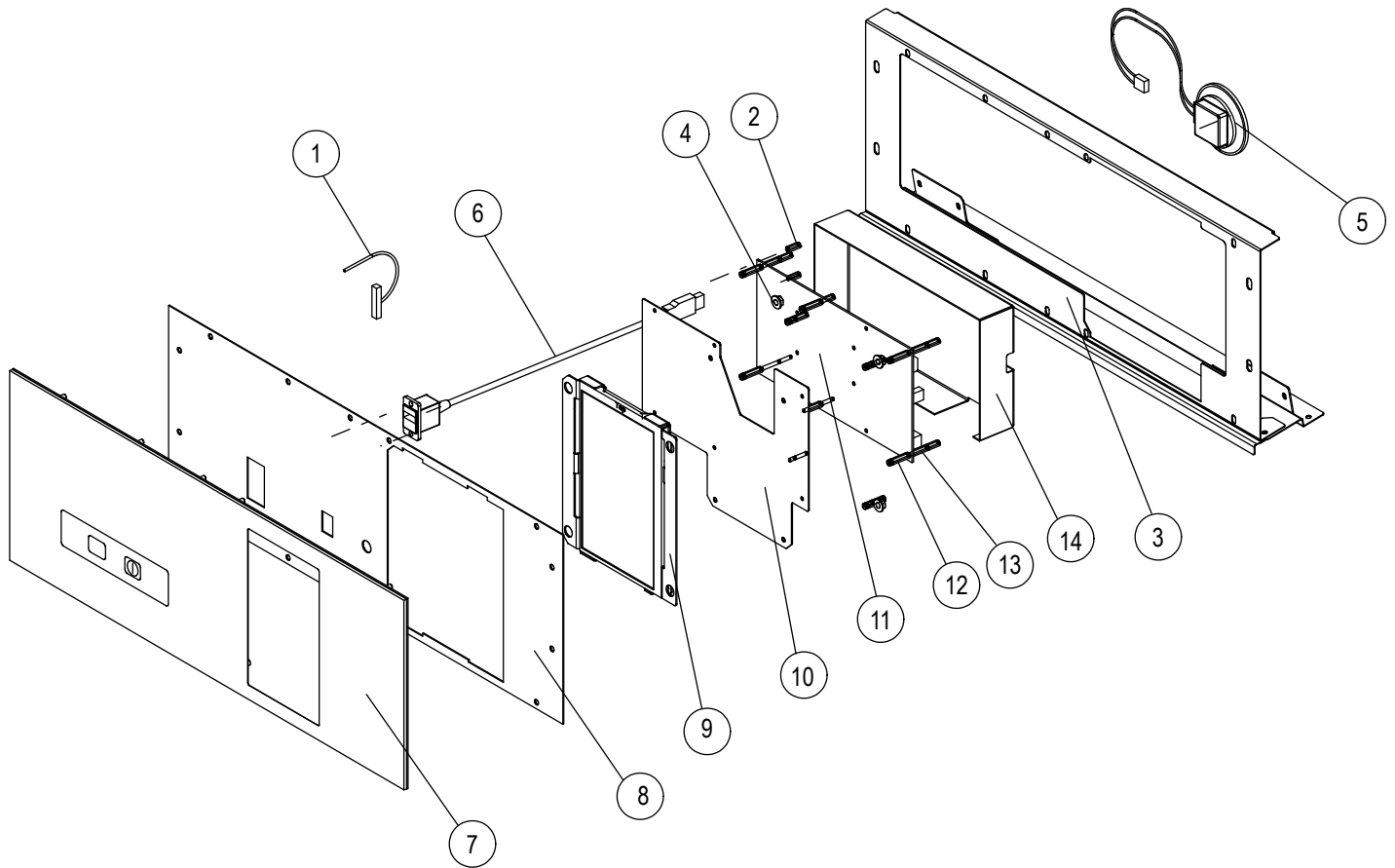
## TOUCHSCREEN CONTROL OPTION FOR OVENS BUILT AFTER MAY 2025



<b>Ref. No.</b>	<b>Part No.</b>	<b>Description</b>	<b>Ref. No.</b>	<b>Part No.</b>	<b>Description</b>
1	61804	Loud Speaker - 4 OHM	6	63848	KIT, CSMUX CPU REPLACEMENT, 6E MCD
2	63678	CSMUX Glass and TS w/ Backing	6	63849	KIT, CSMUX CPU REPLACEMENT, 6EH MCD
3	63666	Touchscreen Bracket Assy, CSMUX	6	63850	KIT, CSMUX CPU REPLACEMENT, 6E BK
4	60090	6mm Washer	6	63851	KIT, CSMUX CPU REPLACEMENT, 6EH BK
5	60563	M5 A2 Nut w/ Serrated Flange	6	63852	KIT, CSMUX CPU REPLACEMENT, 6E COSMC
6	63840	KIT, CSMUX CPU REPLACEMENT, 6E GM	6	63853	KIT, CSMUX CPU REPLACEMENT, 6EH COSMC
6	63841	KIT, CSMUX CPU REPLACEMENT, 10E GM	7	60070	HEX STANDOFF M3X12
6	63842	KIT, CSMUX CPU REPLACEMENT, 6EH GM	8	H107160	WIFI DONGLE w/ ANTENNA
6	63843	KIT, CSMUX CPU REPLACEMENT, 10EH GM			
6	63844	KIT, CSMUX CPU REPLACEMENT, 6E W			
6	63845	KIT, CSMUX CPU REPLACEMENT, 6EH W			
6	63846	KIT, CSMUX CPU REPLACEMENT, 6E W CN			
6	63847	KIT, CSMUX CPU REPLACEMENT, 6EH W CN			

# BLCT CONTROL PANEL WITHOUT SIDE ACCESS

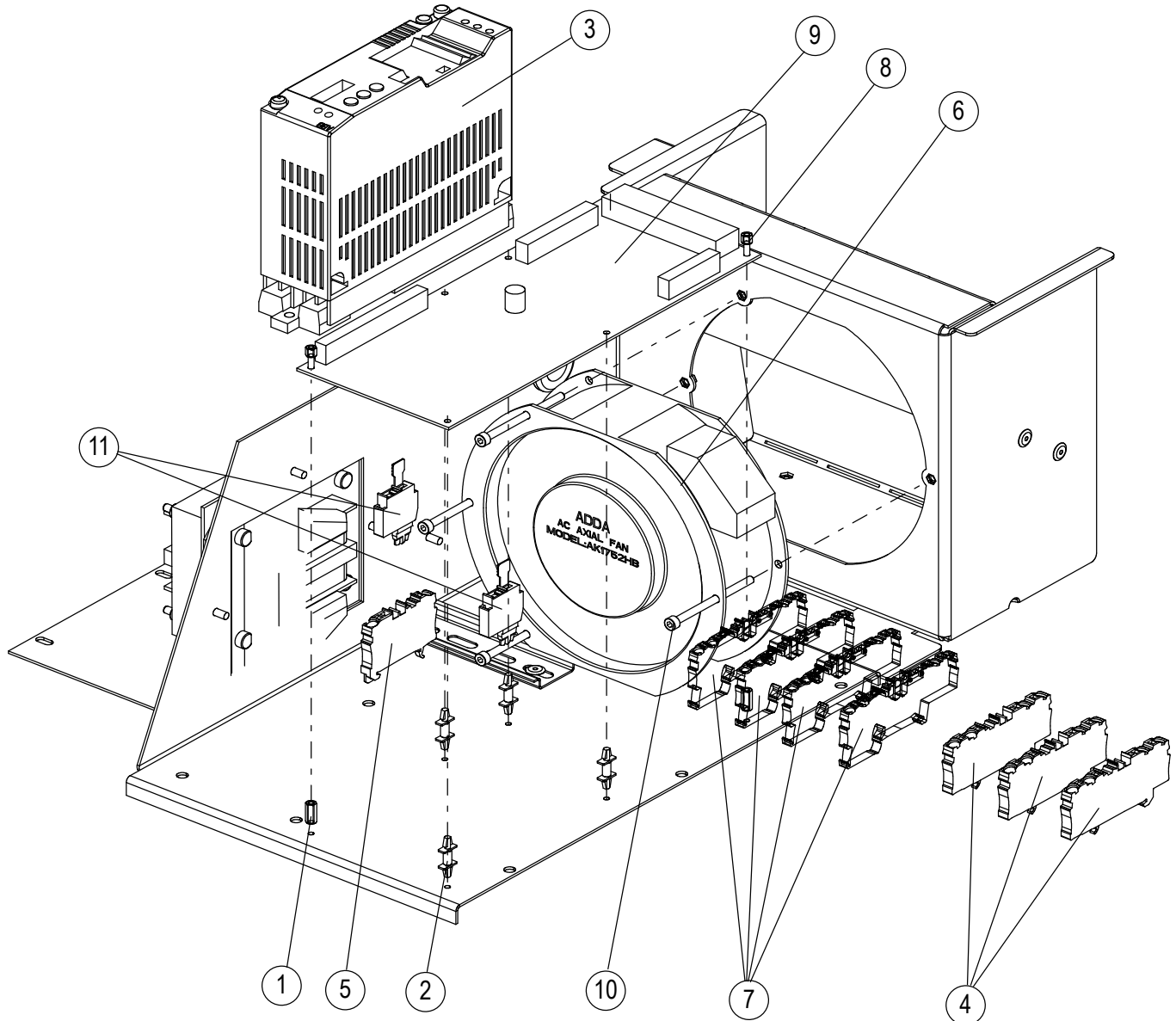
## “TOUCHSCREEN CONTROL OPTION”



<b>Ref. No.</b>	<b>Part No.</b>	<b>Description</b>
1	61827	Cable for 7" TFT touch display EDT Model 1
2	62251	Distance tube M2.5 x 12
3	62450	Abutment plate frame CS II
4	60563	Nut M5 A2 w/flange, serrated
5	61804	Loud Speakers - 4 ohm
6	61723	USB connector chassis mounted
7	61776	Touch panel CSII B-C-K cpl
8	61724	Gasket for touch cotrol CSII

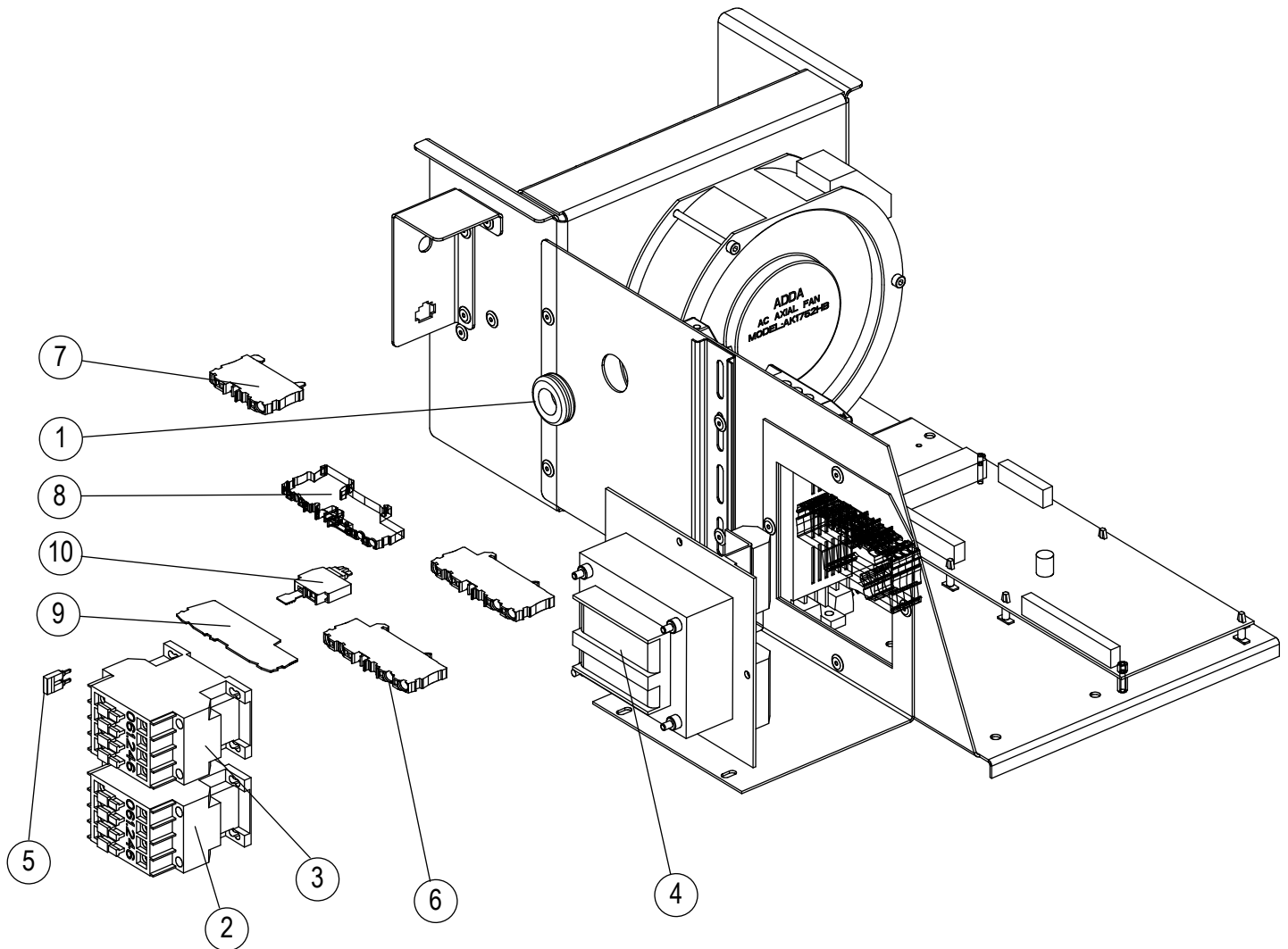
<b>Ref. No.</b>	<b>Part No.</b>	<b>Description</b>
9	63618	Kit, Display w/USB & Mouse CSII REV 8+
10	62257	Bracket f. computer CSII Touch
11	61838	Computer SE touch
12	60071	Distance tube M3 x 12
13	60551	Staybolt brass M3x18 with threaded pin
14	62255	CPU CSII cover plate

# ELECTRICAL COMPONENTS (LEFT)



Ref. No.	Part No.	Description	Ref. No.	Part No.	Description
1	60071	Distance tube, M3 x 12	8	62253	Staybolt brass, M3x5 m threaded pin
2	60581	Retainer for circuit board, double nylon 11.1	9	62236	I/O-Board
3	30800253	Frequency converter KBVF-21D SIVF-3G	10	62328	Screw Allen, CH M4x60 A2
3	63012	Kit, Frequency inverter (GFCI compatible)	11	61612	Fuse 3.15A 2 PCS
4	62292	S Terminal 4 Q, 2 wires Blue	11	61613	Fuse 2A (F2)
5	62299	S Fuse carrier		61614	Fuse, 5A 2 PCS
6	62296	Cooling Fan Ø140, round		61615	Fuse, 8A 2 PCS
7	62297	Terminal block, 4 pins for fuse carrier, grey			

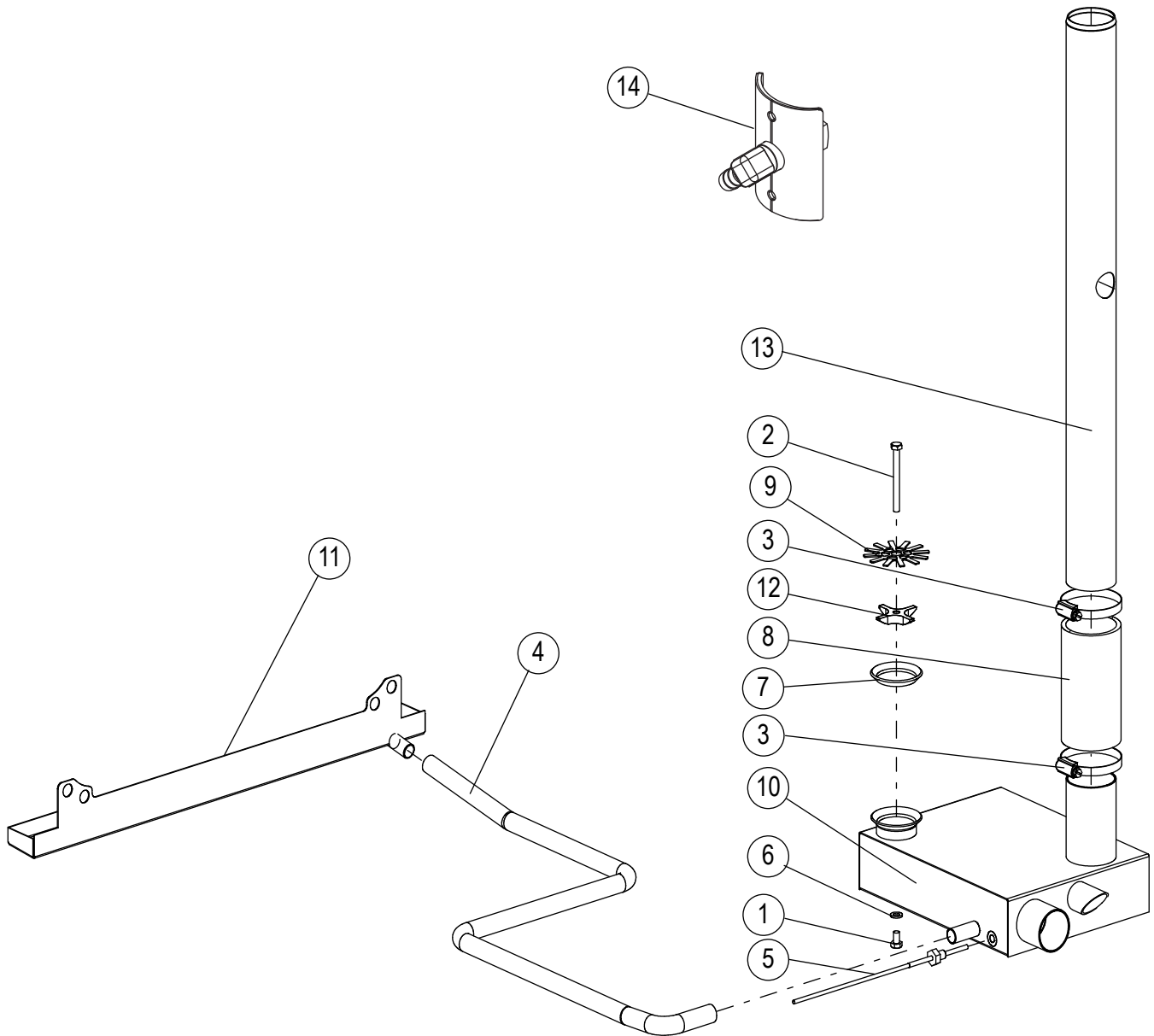
# ELECTRICAL COMPONENTS (RIGHT)



Ref. No.	Part No.	Description
1	60141	Lead-in Ø16/Ø22x1.5
2	60127	Contactor A16 24V 50/60Hz (for ovens after 10/1/19)
2	60128	Contactor A26 24V 50/60Hz (for ovens after 10/1/19)
3	60127	Contactor A16 24V 50/60Hz
4	62291	Transformer, 200-230-240/2x24-12
4	62400	Transformer, 400-415-440-480/2x24-12-230 /donga
5	62293	Jumper 2,5 Q
6	62294	Terminal block 4 Q, 4 pins blue

Ref. No.	Part No.	Description
7	62295	Terminal block 4 Q, 2 pins Yellow/green
8	62297	Terminal block 4 pins for fuse carrier, grey
9	62298	S Endcover 4-wires grey.
10	62299	S Fuse carrier

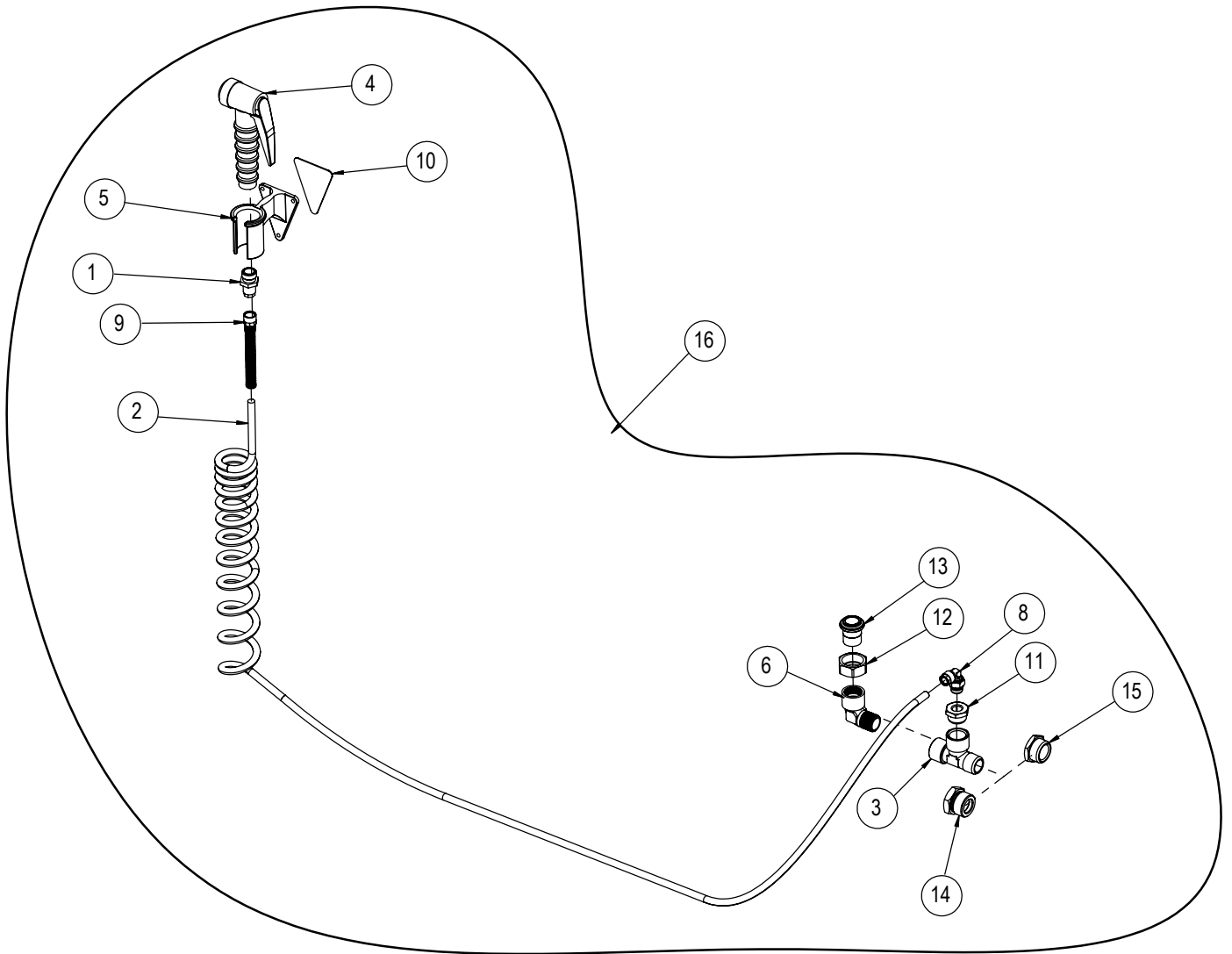
# DRAIN



Ref. No.	Part No.	Description
1	62276	Screw, set M6 x 10
2	63396	Screw, M6 x 60 A2
3	60910	Hose clamp, Ø46-Ø64
4	60187	Hose for drain Drip tray
5	60334	Condensing Sensor
6	60088	Washer, 6mm
7	61732	Gasket for drainbox CS
8	61565	Hose blue Ø50 (Sold by inch)
8	62487	Hose for damper valve (blue) 220MM / 9", 2/3 & 6

Ref. No.	Part No.	Description
8	62278	Hose for damper valve (blue) 110MM / 13", 10
9	61733	Drain Siv CS
10	62259	Drain box, Non-Hoodini
10	40510002	Drain Box, Hoodini
11	40310002	Drip tray, CS
12	62280	Mounting bracket for CS drain
13	61730	Tube, CS 2/3 & 6 pan
13	61731	Tube, CS 10 pan
14	62824	Kit, quench nozzle bracket & fitting

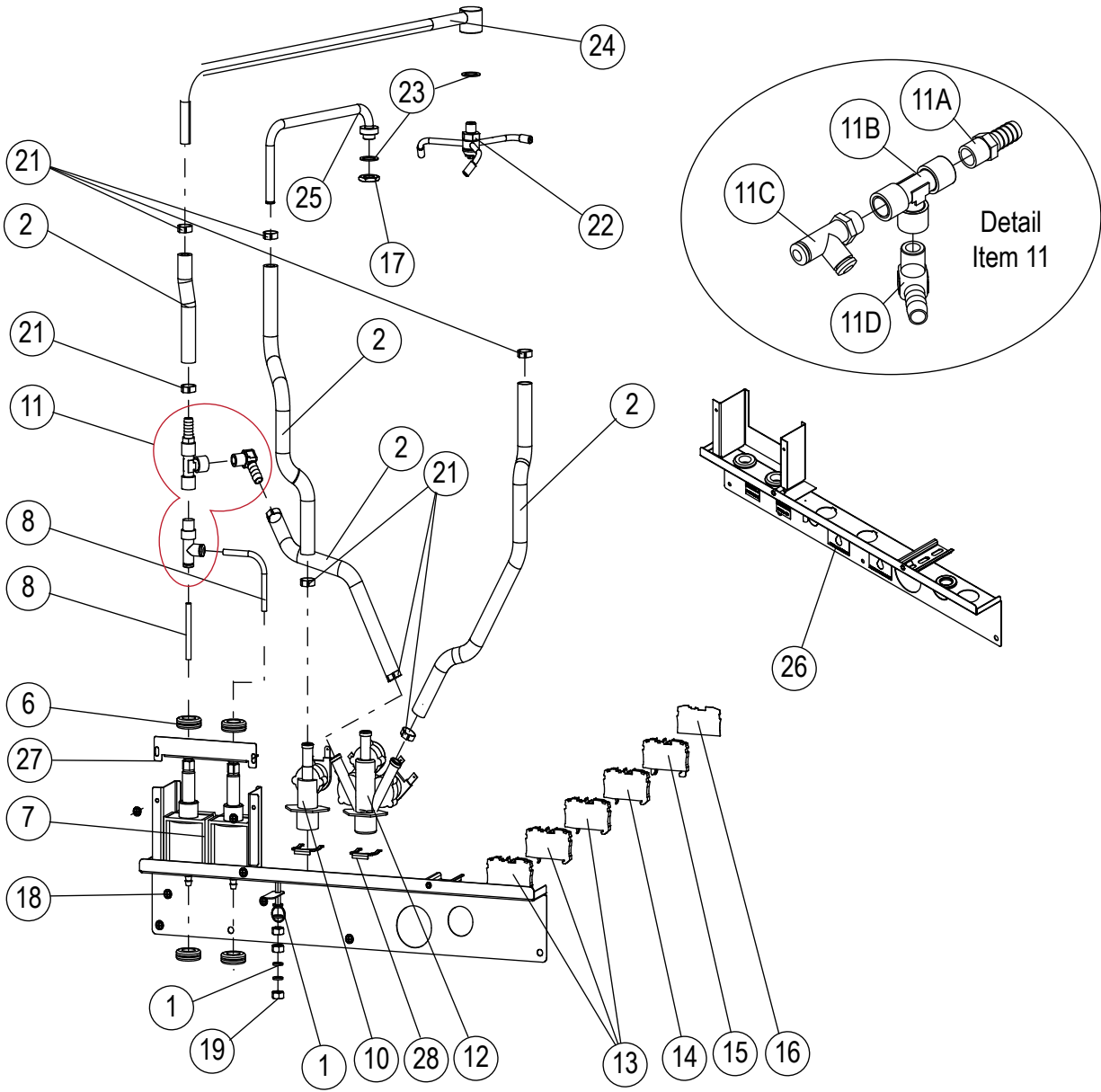
# HANDSHOWER



Ref. No.	Part No.	Description
1	61598	Quick coupling strait 3/8"xØ8/Ø6
2	61601	Hose
3	61604	T-connector for hand shower 1/2"
4	60121	Hand shower
5	61544	Holder for handshower CS
6	61602	Coupling, elbow 90 x 1/2"
8	63406	Swivel 90* 8MM X 1/4 BST
9	61600	Spring for spray gun

Ref. No.	Part No.	Description
10	63414	Double stick tape
11	63408	Nipple reducer
12	63412	Nut
13	63411	Threaded pin
14	61597	Adapter, EU
15	61599	Adapter, US
16	61606	Hand shower cpl CS

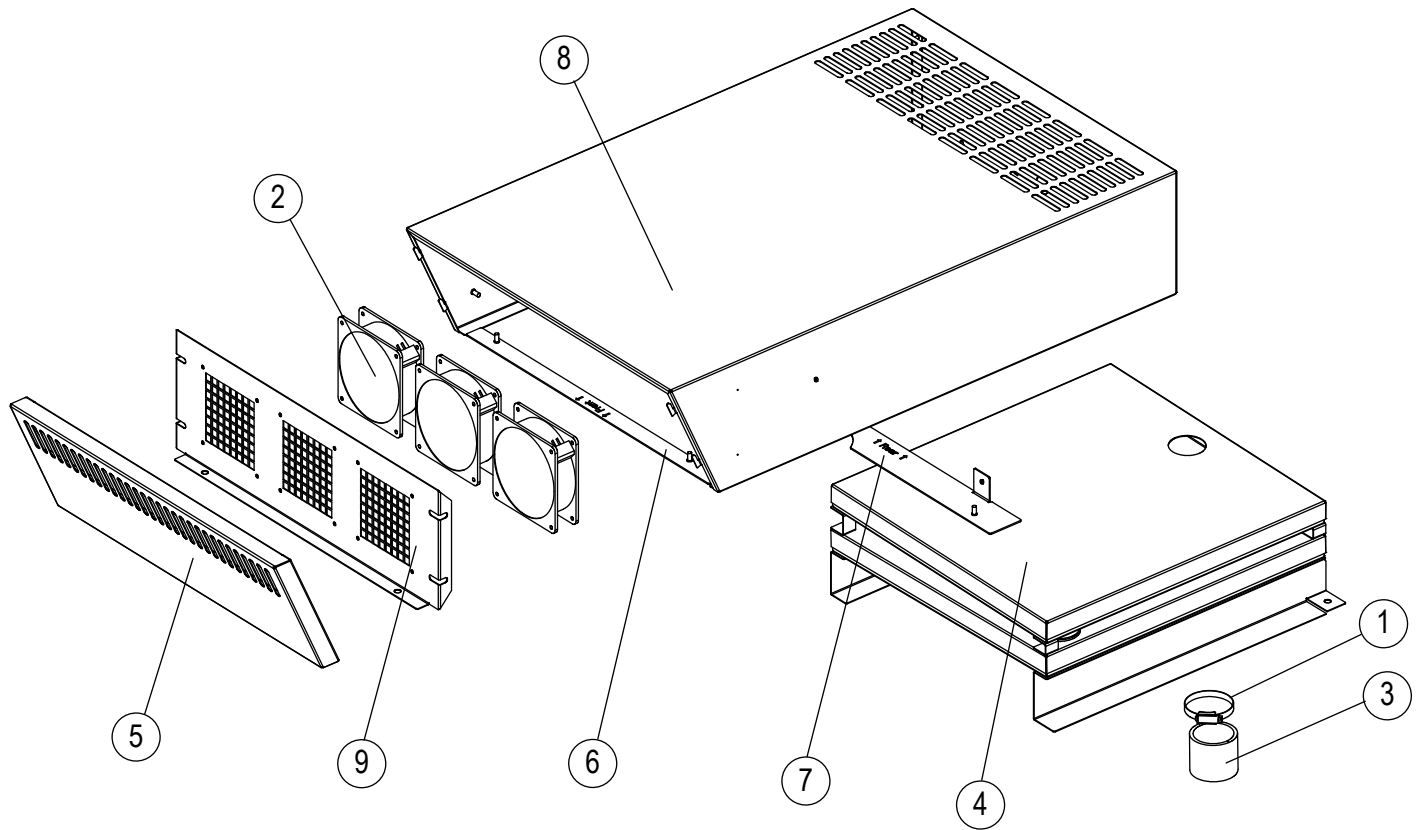
# CLEANING SYSTEM



# CLEANING SYSTEM

<b>Ref. No.</b>	<b>Part No.</b>	<b>Description</b>	<b>Ref. No.</b>	<b>Part No.</b>	<b>Description</b>
1	69123	Washer, spring 6mm	24	61933	Tube for washarm, 2/3 pan CS
2	60929	Silicon hose Ø10x17 mm (sold by the foot)	24	62243	Tube for washarm, 6 & 10 pan CS
6	60141	Grommet Ø16/Ø22x1.5	25	62244	Injection steam tube
7	20500050	Pump for detergent/rinse aid, 24 V	26	62245	Plate f singel and double water connection
8	62239	Hose PVDF Flex Ø6xØ4 Red (sold by the inch)	27	36000028	Fixing brackets for dosing pumps CS
10	60917	Solenoid valve 1-way/1 coil	28	60539	Plastic clip for solenoid valve
10	61572	Solenoid valve 2-way, 2 coil 1,2 L		62276	Hexagon screw M6X10 A2
11	62451	Fitting, washt		62811	Water Pressure Switch (Not Shown)
11A	61562	Water connection, 1/4 BSP		60535	Manifold 3/4"-2 Valves
11B	61563	T-piece, 1/4 BSP		61136	Combi wash lines
11C	60111	Tee 6mm to 1/4 BSP		61898	Combi wash lines with labels (Wendy's)
11D	60113	Elbow, water connection 1/4 BSP		60112	Quick action coupling (Not Shown)
12	61869	Solenoid valve 3-way w/2 coils			
12	61571	Solenoid valve 4-way, w/3 coils			
12	60825	Solenoid valve, 3 way 2 coil w/limit, EU			
13	62331	Terminal block 6 Q, 2 pins grey			
14	62332	Terminal block 6 Q, 2 pins blue			
15	62333	Terminal block 6 Q, 2 pins yellow/green			
16	62486	S Endcover 6 Q, 2 leader			
17	62240	Nut M14 A2 low CSII			
18	61968	Screw PH M4x10			
19	67917	Nut M6			
20	60088	Washer 6mm			
21	61333	Clip Ø10 - 16 mm			
22	62241	Washing Arms cpl. 2016			
23	62975	Copper washer Ø22xØ15X1mm			

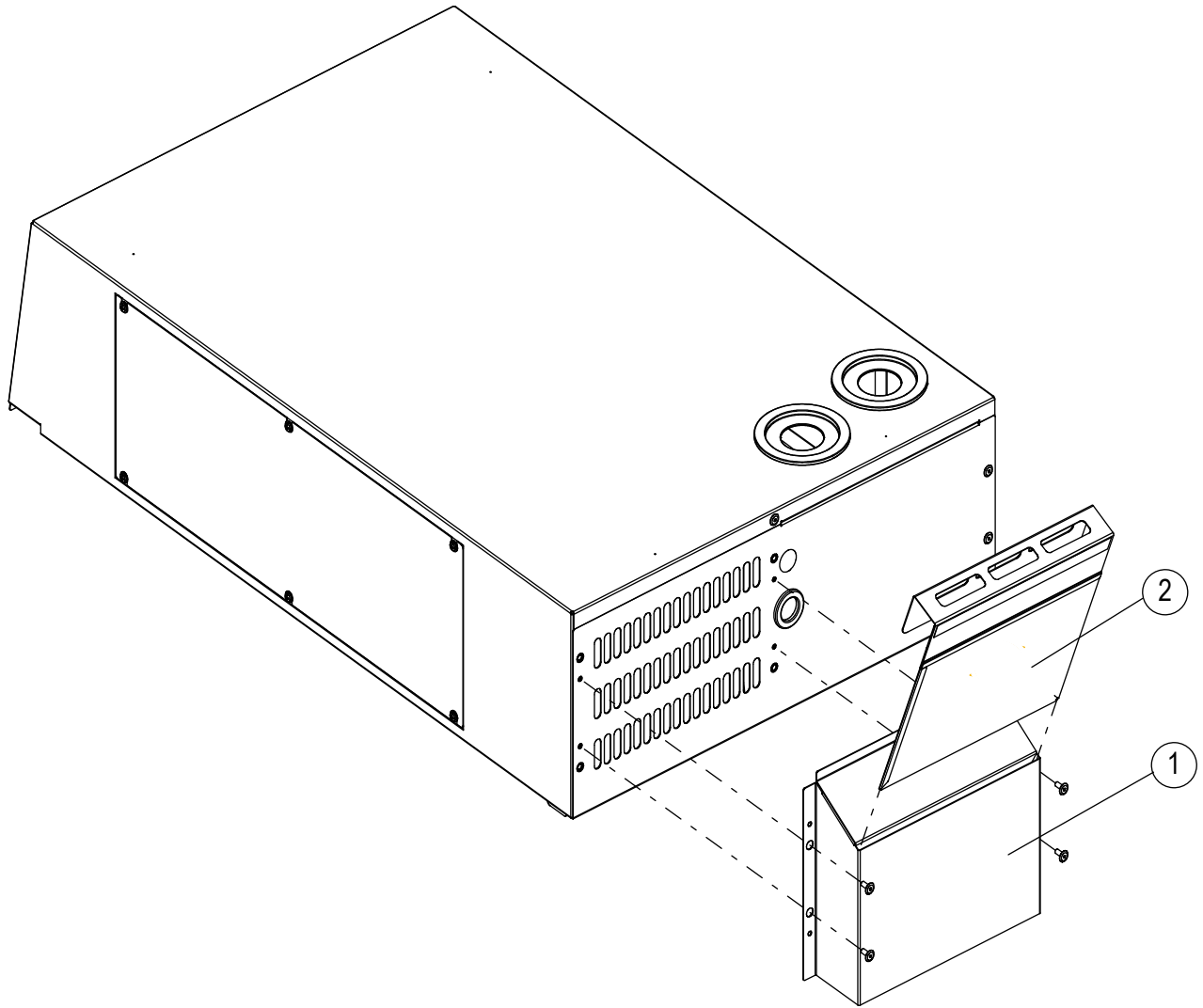
# EXTRACTION HOOD



<b>Ref. No.</b>	<b>Part No.</b>	<b>Description</b>
1	60910	Hose clamp Ø46-Ø64
2	60124	Cooling fan
3	61565	Hose for steam Blue Ø50,8x4,5 L50mm
4	61549	Condenser with console CS
5	62401	Filter panel CS

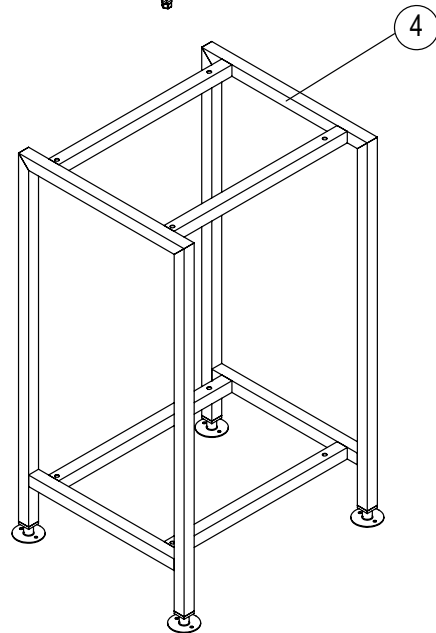
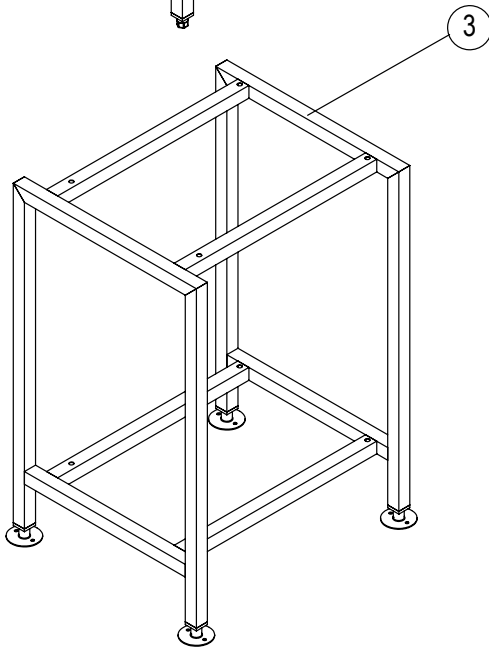
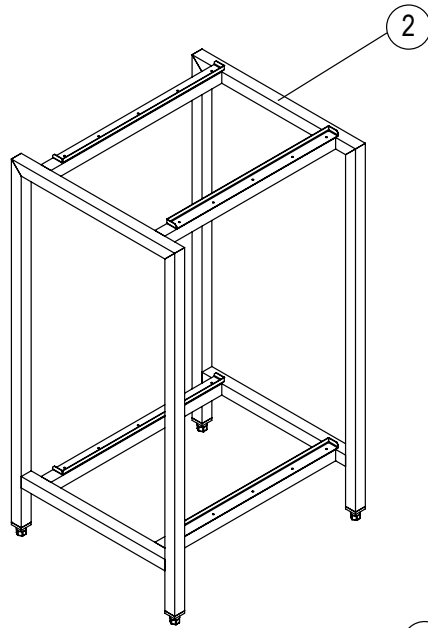
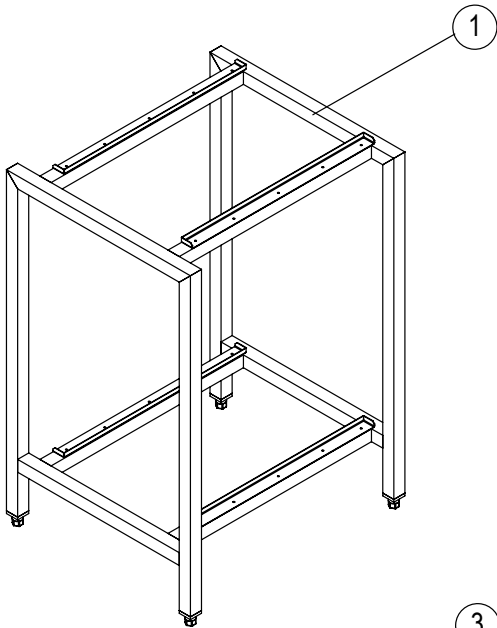
<b>Ref. No.</b>	<b>Part No.</b>	<b>Description</b>
6	62402	Mounting bracket front CS
7	62403	Mounting Bracket rear CS
8	62404	Condensation hood housing CSII 6 & 10 pan
9	62405	Bracket for cooling fans

# AIR INTAKE FILTER



<b>Ref. No.</b>	<b>Part No.</b>	<b>Description</b>
1	62286	Filter housing CSII
2	62287	Filter for air intake. CSII

# STANDS



<b>Ref. No.</b>	<b>Part No.</b>	<b>Description</b>
1	62654	Stand with standard feet for BLCT-6-6E
2	62655	Stand with standard feet for BLCT-6-10E
3	63522	Stand with seismic bolt down feet for BLCT-6-6E
4	63525	Stand with seismic bold down feet for BLCT-6-10E