



**BC-20G
COMBI OVEN STEAMER
REPLACEMENT PARTS LIST**

EFFECTIVE APRIL 1, 2025

Superseding All Previous Parts Lists.

The Company reserves the right to make substitution in the event that items specified are not available.

ERRORS: Descriptive and/or typographic errors are subject to correction.

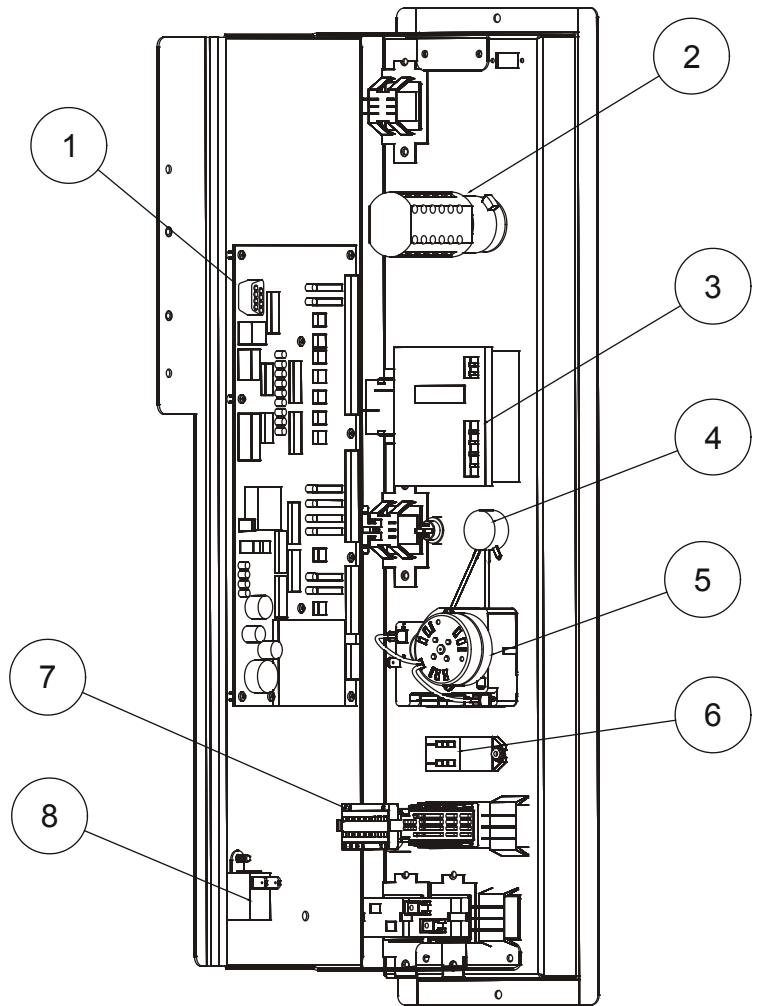
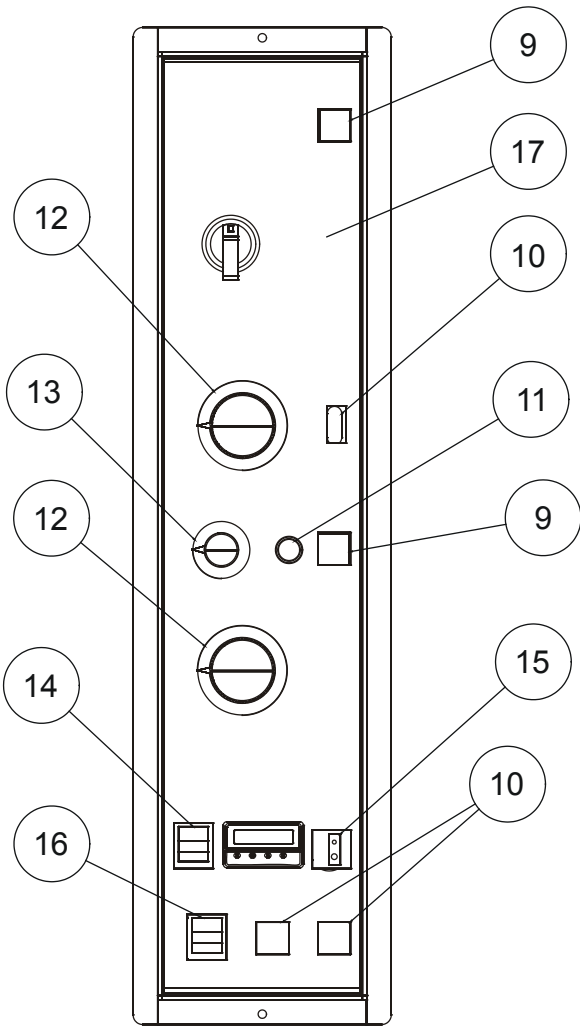
BLODGETT

42 Allen Martin Drive, Essex Junction, Vermont 05452 USA Telephone: (802) 658-6600 Fax: (802) 860-3732
www.blodgett.com

P/N 53373 Rev AE

Manual Control Components

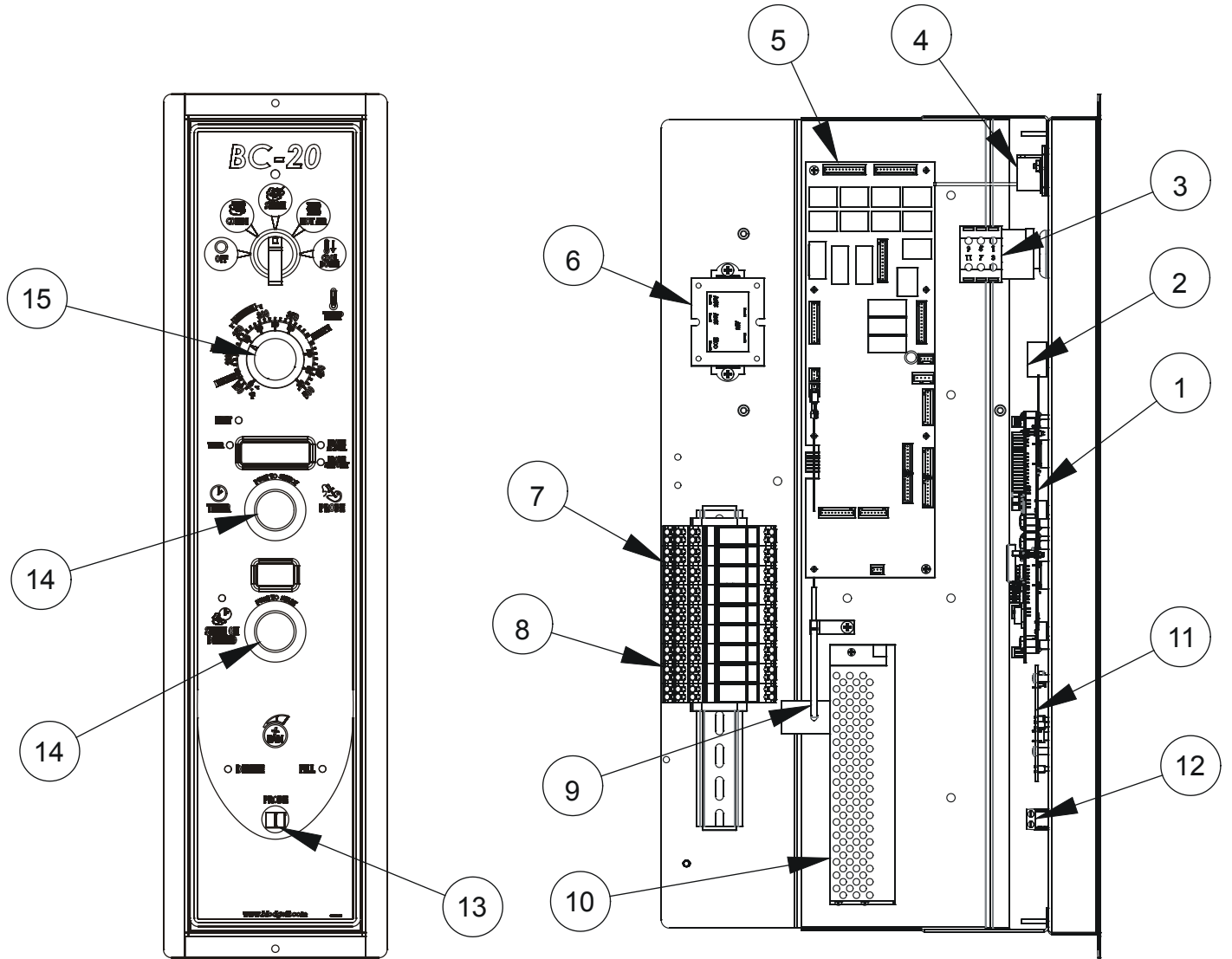
(Before 5/1/2011)



Ref. No.	Part No.	Description
1	R10353	LOGIC BOARD
2	R4623	MODE SWITCH
	R8515	KNOB & SHAFT, MODE SWITCH
3	R6407	TEMPERATURE CONTROL, 150-500 DEG (OBSOLETE)
4	R10338	POTENTIOMETER, STEAM ON DEMAND
5	R2666	TIMER, 120 MINUTE 230V
6	R2792	RELAY, 240V COIL
7	R5242	MEAT PROBE CONTROL
8	R9498	BUZZER, 240V
9	R1318	INDICATOR LIGHT, 250V GREEN
10	R0226	INDICATOR LIGHT, 250V CLEAR
11	R8595	PUSHBUTTON SWITCH
12	R8742	KNOB, LARGE
13	R8743	KNOB, SMALL
14	R10515	MEAT PROBE SWITCH
15	R5219	MEAT PROBE JACK
16	R8594	FAN SWITCH, HI/LOW
	R6003	CAVITY PROBE, 100K THERMISTOR
17	R10291	DECAL, CONTROL

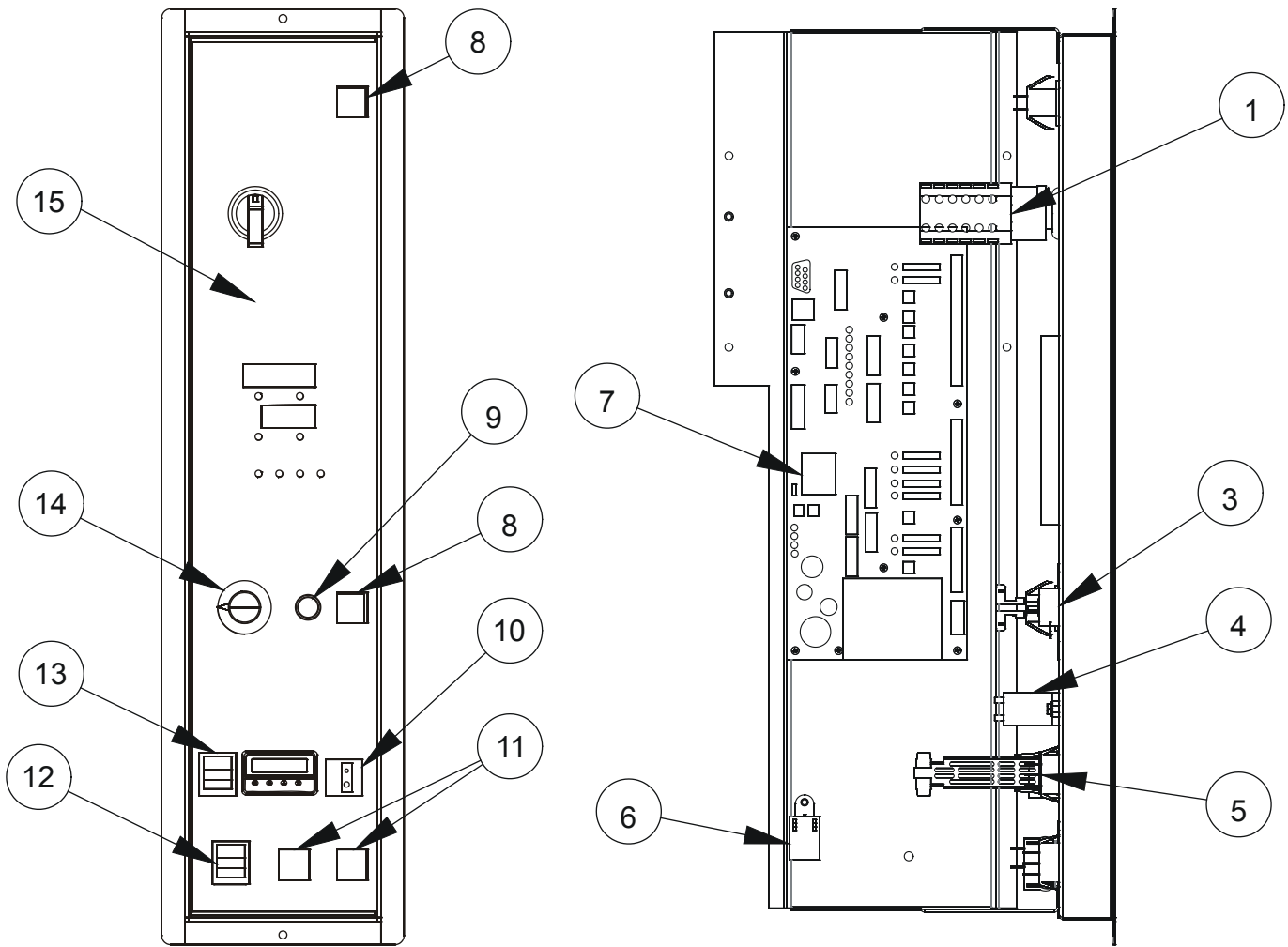
Manual Control Components

(After 5/1/2011)



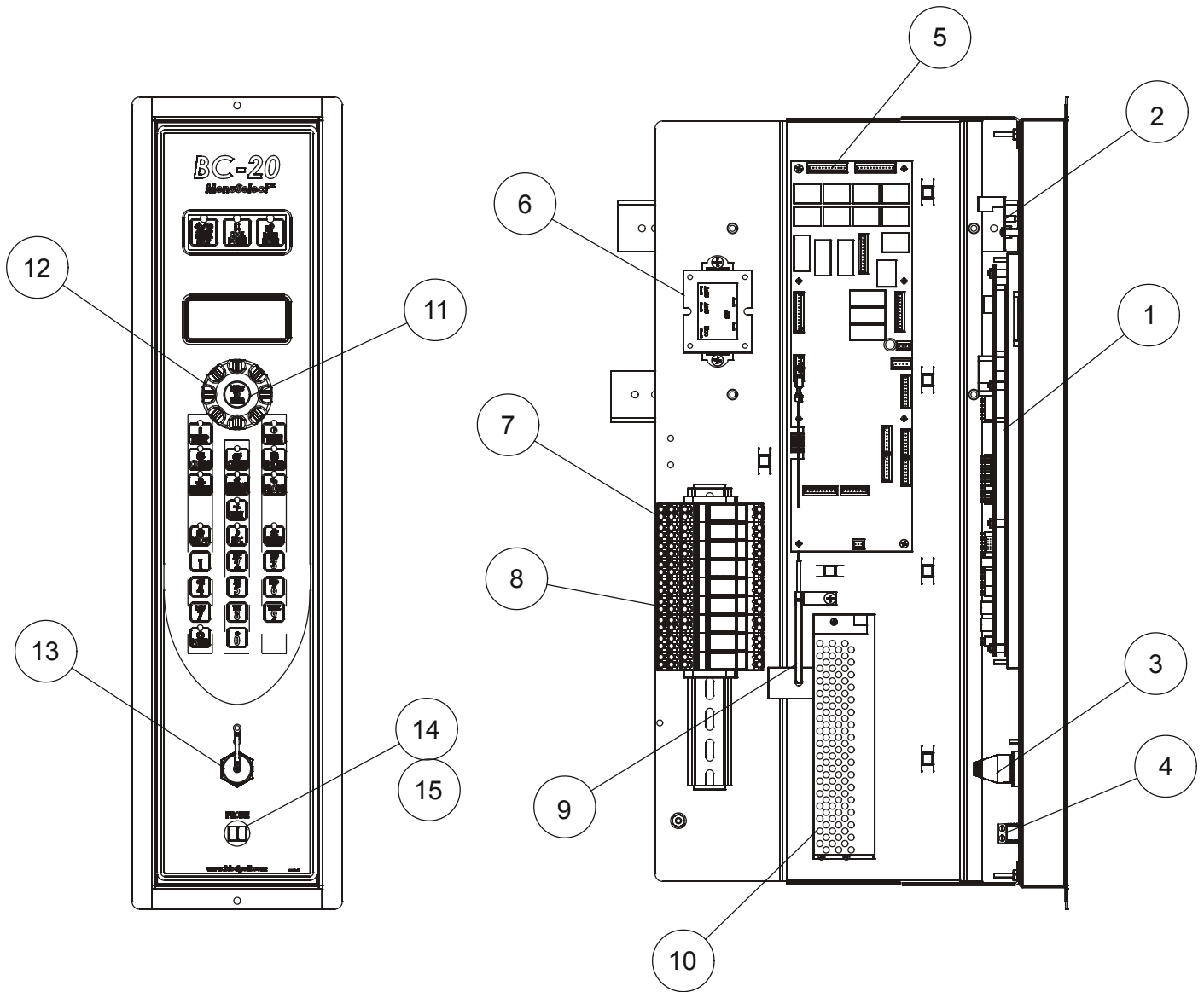
Ref. No.	Part No.	Description
1	53912	MANUAL CONTROL
2	18234	POTENTIOMETER
3	52466	MODE SWITCH
4	53759	BUZZER
5	54380	INTERFACE BOARD
6	52948	TRANSFORMER
7	38604	RELAY
8	39343	JUMPER, BUSS BAR
9	51516	PROBE, 100 OHM
10	52946	POWER SUPPLY, 24VDC
11	53146	FAN CONTROL BOARD
12	39781	MEAT PROBE JACK
13	39782	MEAT PROBE JACK PLUG
	56545	MEAT PROBE, 4", DUAL SENSOR
14	36617	KNOB, W/OUT ARROW
15	36616	KNOB, WITH ARROW
	R6928	CAVITY PROBE, RT ANGLE

Digital Cook & Hold Control Components



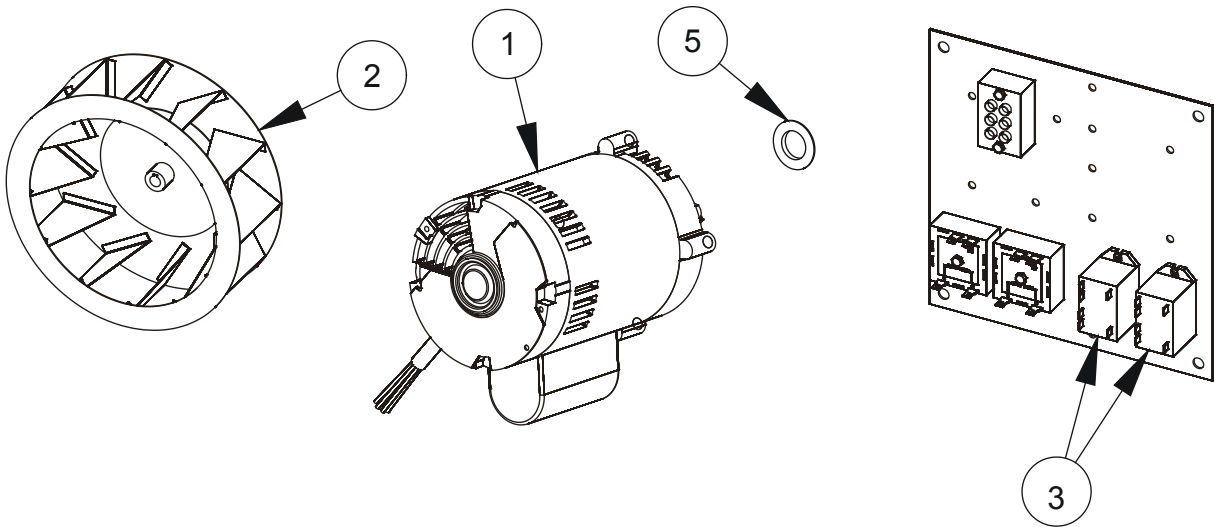
Ref. No.	Part No.	Description
1	R4623	MODE SWITCH
3	R10338	POTENTIOMETER
4	R2792	RELAY, SPST 240V COIL
5	R5242	MEAT PROBE CONTROL
6	20350	BUZZER
	R8724	BUZZER RESISTOR
7	R10353	LOGIC BOARD
8	R1318	INDICATOR LIGHT, 250V GREEN
9	R8595	PUSHBUTTON SWITCH
10	R5219	MEAT PROBE JACK
11	R0226	INDICATOR LIGHT, 250V CLEAR
12	R8594	FAN SWITCH, HI/LOW
13	R10515	MEAT PROBE SWITCH
14	R8743	KNOB, SMALL
	R8883	RESISTOR, LIGHT
	R6003	CAVITY PROBE, 100K THERMISTOR
15	R10296	DECAL, COOK & HOLD

MenuSelect Control Components

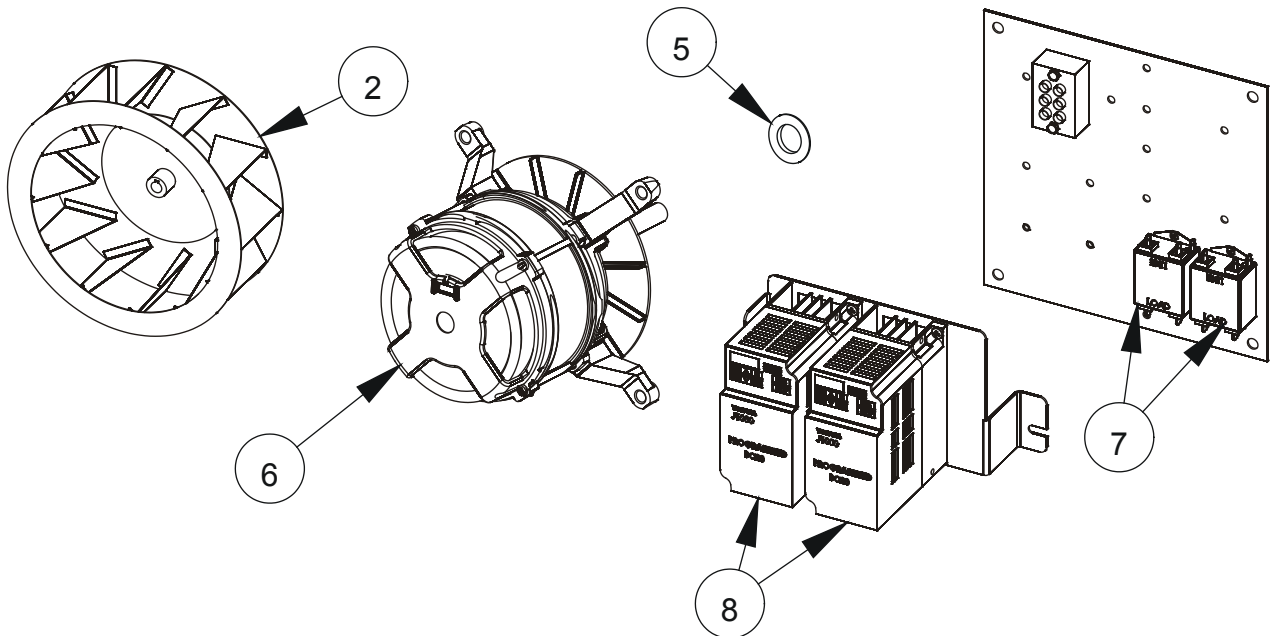


<u>Ref. No.</u>	<u>Part No.</u>	<u>Description</u>
1	53377	MENUSELECT CONTROL
2	39122	BOARD, 3 BUTTON
3	52647	USB CABLE, 1M LONG
4	39781	MEAT PROBE JACK
5	54380	INTERFACE BOARD
6	52948	TRANSFORMER
7	38604	RELAY, 24 VDC
8	39343	JUMPER, BUSS BAR
9	51516	PROBE, 100 OHM
	52946	POWER SUPPLY, 24VDC
	50986	DECAL, "PRESS TO ENTER"
	51372	KNOB
	52161	USB COVER
	39782	MEAT PROBE JACK PLUG
	56545	MEAT PROBE, 4", DUAL SENSOR
	R6928	CAVITY PROBE, RT ANGLE

Blower Motor & Control Components



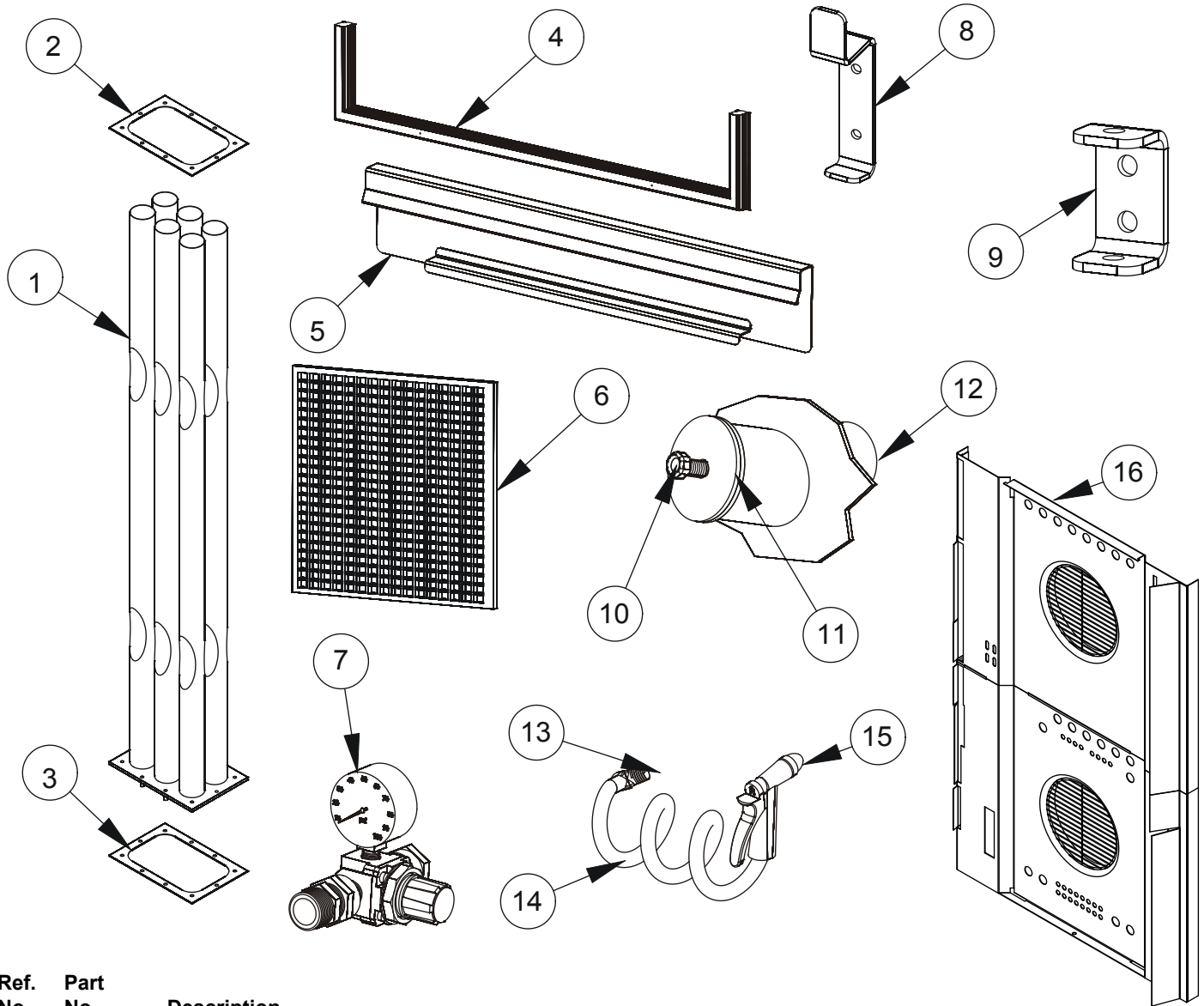
DIGITAL COOK & HOLD OR MANUAL CONTROLS BEFORE 5/1/2011



MENUSELECT CONTROLS (ALL) OR MANUAL CONTROLS AFTER 5/1/2011

Ref. No.	Part No.	Description
1	R5108	MOTOR, 1/2 HP
2	R5081	BLOWER WHEEL
3	31558	RELAY, DPST
5	R4244	MOTOR SHAFT SEAL
6	59909	MOTOR, 1/2 HP WITH KEY, AFTER 4/20/21
6	55301	MOTOR, 1/2 HP WITH KEY, BEFORE 4/20/21
7	53902	FILTER
8	100354	INVERTER DRIVE, AFTER 4/20/21
	100426	KIT, MOTORS AND INVERTERS UPGRADE

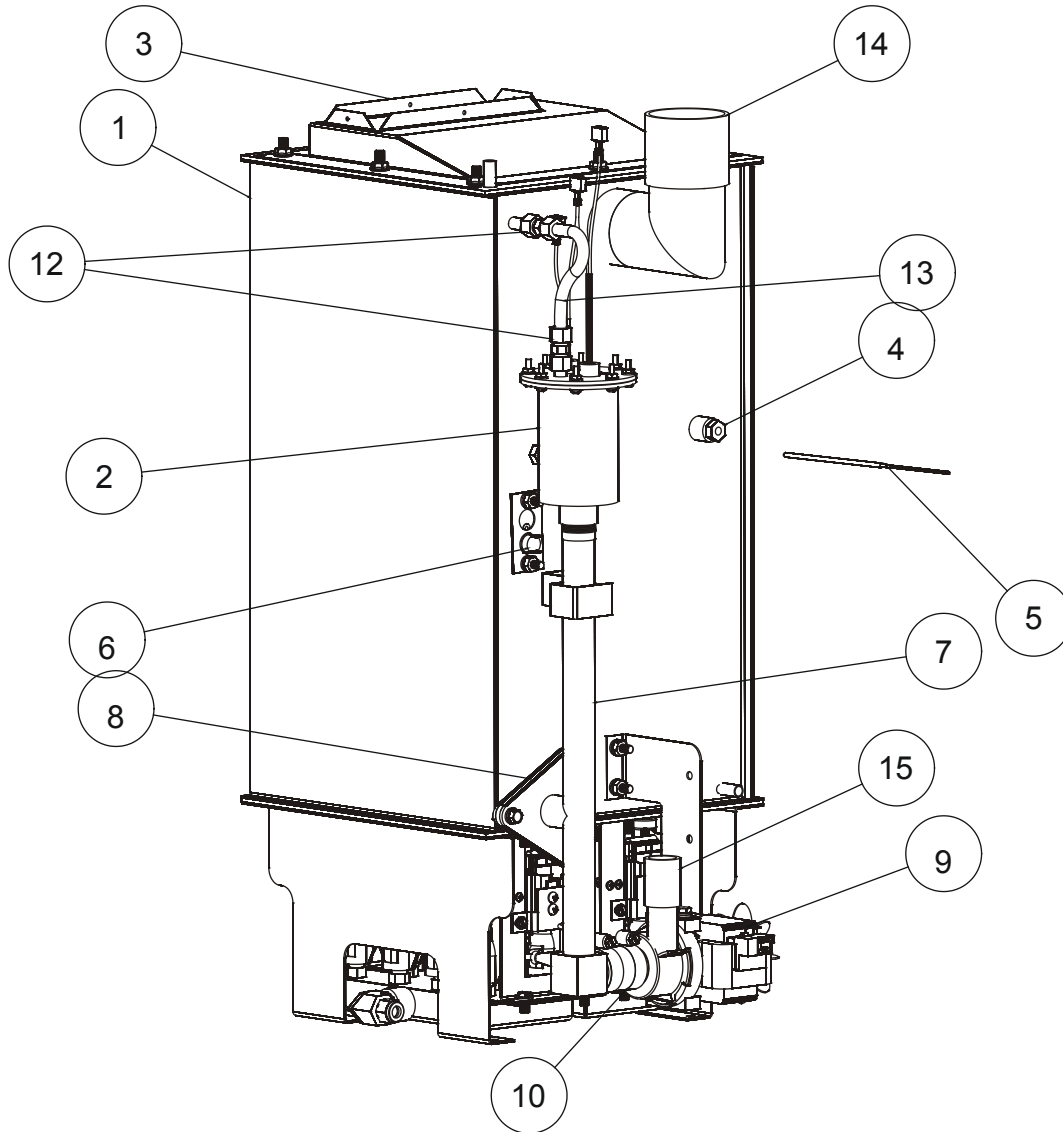
Interior/Exterior Components



Ref. No.	Part No.	Description
1	R10848	HEAT EXCHANGER
2	R4423	HEAT EXCHANGER TOP GASKET
3	R10753	HEAT EXCHANGER BOTTOM GASKET
4	53576	TROLLEY GASKET
5	54423	PREHEAT PANEL KIT (INCLUDES ITEM #8)
6	R3760	GREASE FILTER
7	R11210	PRESSURE REGULATOR ASSEMBLY
8	R5392	HOSE HOOK
9	R5391	PROBE HOLDER
10	R7575	PRESSURE RELIEF SPRING
11	R2657	PRESSURE RELIEF GASKET
12	R2814	HOSE, 1 5/8" ID (BY THE FOOT)
13	R0376	CONNECTOR, 3 WAY
14	R10889	HOSE, 1/2" OD X 10'
15	53639	SPRAY NOZZLE
	R10899	SPRAY HOSE ASSEMBLY (INCLUDES ITEMS 13, 14, AND 15)
16	55420	BAFFLE ASSY

Steam Generator Components

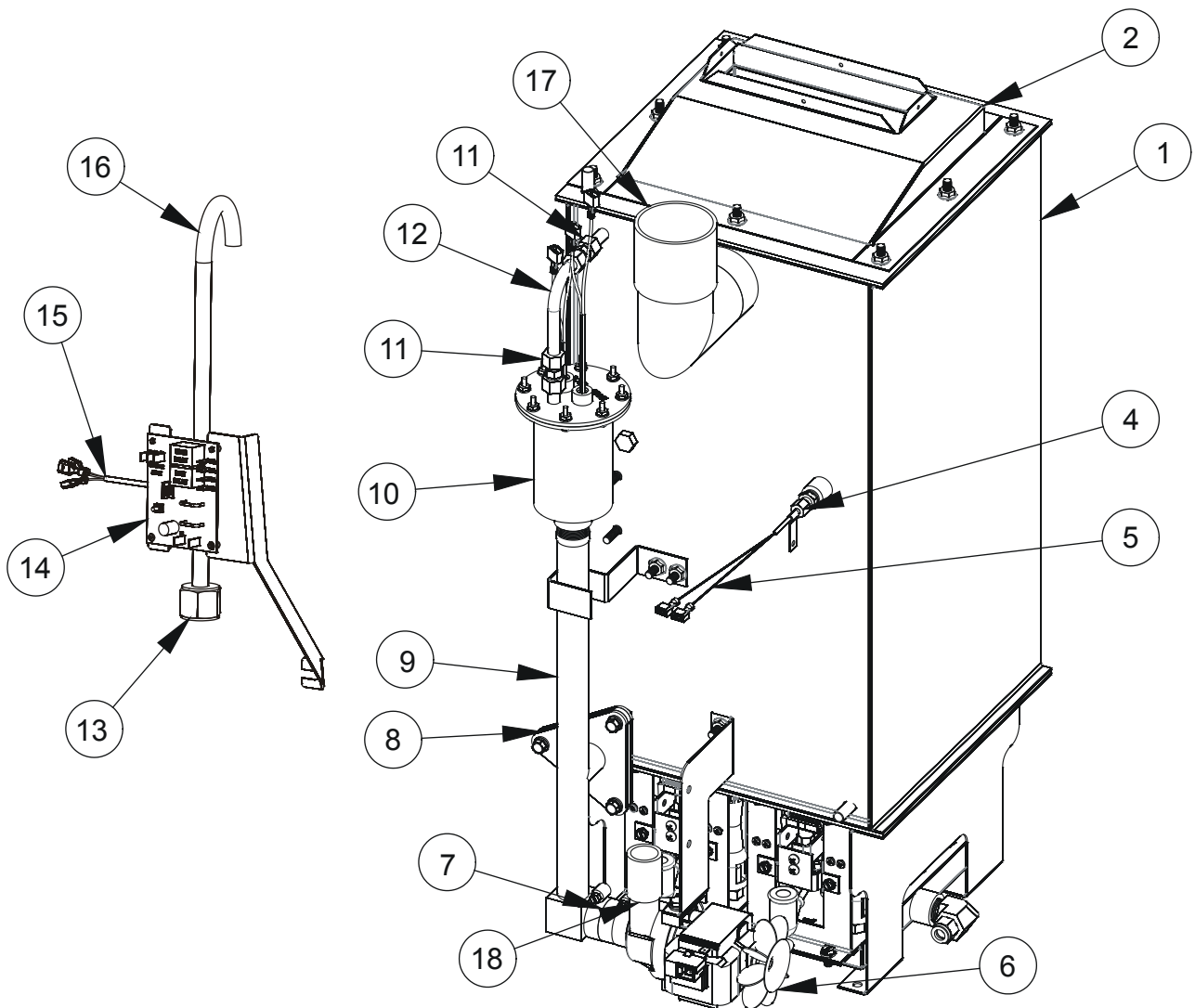
Manual or Digital Cook & Hold Controls



<u>Ref. No.</u>	<u>Part No.</u>	<u>Description</u>
1	R11217	BOILER ASSY, W/O BURNERS (ALSO INCLUDES ITEMS #2, 3, 4 AND 11)
2	50283	FLOAT SWITCH ASSEMBLY
	50265	FLOAT
3	R10738	FLUE OUTLET
4	R8071	PROBE HOLDER, BEFORE 04-01-11
	39436	PROBE FITTING, AFTER 04-01-11
5	R2630	HIGH LIMIT THERMOSTAT, BEFORE 04-01-11
	51516	PROBE, AFTER 04-01-11
6	R8012	THERMOSTAT
7	R10745	FILL TUBE ASSEMBLY
8	R10252	OUTLET GASKET
9	R2726	DRAIN PUMP, 208/240V
10	51999	HOSE, 1.125 DIA. (1 FOOT PIECE)
11	R11045	BOILER INSULATION (NOT SHOWN)
12	R8984	FITTING, 3/8" X 3/8" COMPRESSION
13	R8952	FLEX TUBE, 3/8" X 6"
14	R4579	HOSE, 2 3/8" ID (BY THE FOOT)
15	57025	HOSE, 7/8" ID (BY THE INCH)

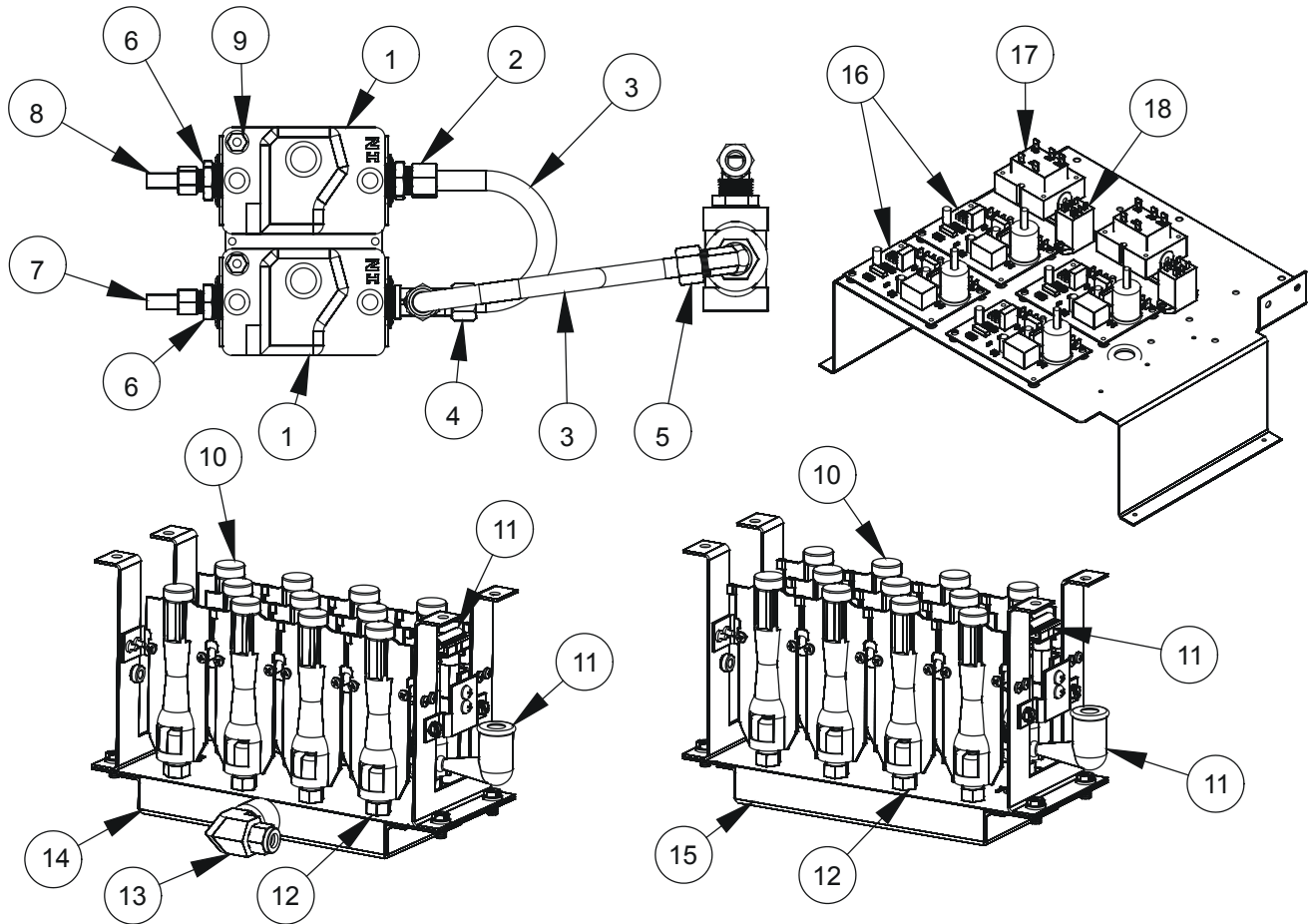
Steam Generator Components

MenuSelect Controls



<u>Ref. No.</u>	<u>Part No.</u>	<u>Description</u>
1	R10704	BOILER ASSY. W/O BURNERS (ALSO INCLUDES ITEMS 2 & 3)
2	R10738	FLUE OUTLET
3	R11045	BOILER INSULATION (NOT SHOWN)
4	39436	PROBE FITTING
5	51516	PROBE
6	R2726	DRAIN PUMP, 208/240V
7	51999	HOSE, 1.125 DIA. (1 FOOT PIECE)
8	R10252	OUTLET GASKET
9	R10745	FILL TUBE ASSEMBLY
10	50283	FLOAT SWITCH ASSEMBLY
	50265	FLOAT
11	R8984	FITTING, 3/8" X 3/8" COMPRESSION
12	R8952	FLEX TUBE, 3/8" OD X 6"
13	52754	FITTING, BARBED
14	55513	CONTROL BOARD, WATER SENSING
15	54048	SENSOR, CAPACITIVE
16	52753	SILICONE TUBING (BY THE FOOT)
17	R4579	HOSE, 2 3/8" ID (BY THE FOOT)
18	57025	HOSE, 7/8" ID (BY THE FOOT)

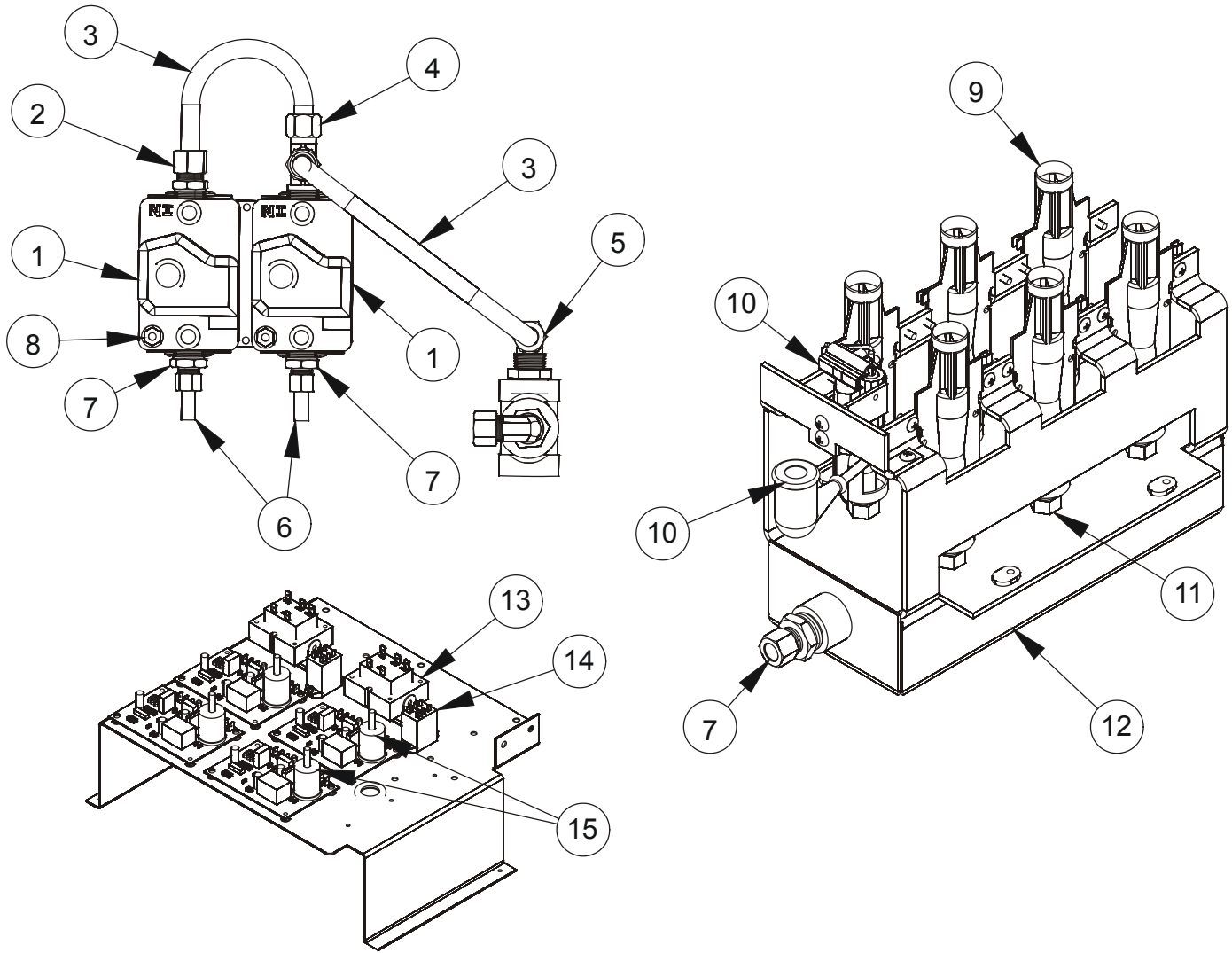
Steam Burner and Valve Components



Ref. No.	Part No.	Description
1	101473	VALVE, NATURAL GAS
	101474	VALVE, PROPANE GAS
2	18570	FITTING, 1/2" NPT X 1/2" COMPRESSION
3	R8950	FLEX TUBE, 1/2" OD X 12"
4	R8756	FITTING, TEE 1/2" NPT X 1/2" COMP X 1/2" COMP
5	15660	FITTING, ELBOW 1/2" COMPRESSION X 1/2" MALE NPT
6	R11163	FITTING, 3/8" COMP X 1/2" MALE NPT
7	R6330	FLEX TUBE, 3/8" OD X 36"
8	R8799	FLEX TUBE, 3/8" OD X 24"
9	R10679	FITTING, 1/4" PILOT TUBE
	R8948	PILOT FLEX TUBE, 1/4" X 30"
10	R4287	INSHOT BURNER, 11 PLACES
11	57662	PILOT ASSEMBLY, NATURAL GAS
	57663	PILOT ASSEMBLY, PROPANE GAS
12	R11157	ORIFICE, NATURAL GAS #58 MTD (.042") 11 PLACES

Ref. No.	Part No.	Description
	R11158	ORIFICE, PROPANE GAS #70 MTD (.028") PLACES
13	R11351	FITTING, ELBOW 3/8" COMP X 1/2" MALE NPT
14	R8928	COMPLETE BURNER ASSEMBLY, FRONT NATURAL GAS
	R11154	COMPLETE BURNER ASSEMBLY, FRONT PROPANE GAS
15	R11339	COMPLETE BURNER ASSEMBLY, REAR NATURAL GAS
	R11340	COMPLETE BURNER ASSEMBLY, REAR PROPANE GAS
16	20348	IGNITION CONTROL
17	52948	TRANSFORMER
18	R10043	RELAY, DPST
	57272	IGNITION WIRE FROM CONTROL TO PILOT ASSEMBLY AFTER 2/7/14
	R4633	FLAME SENSE WIRE

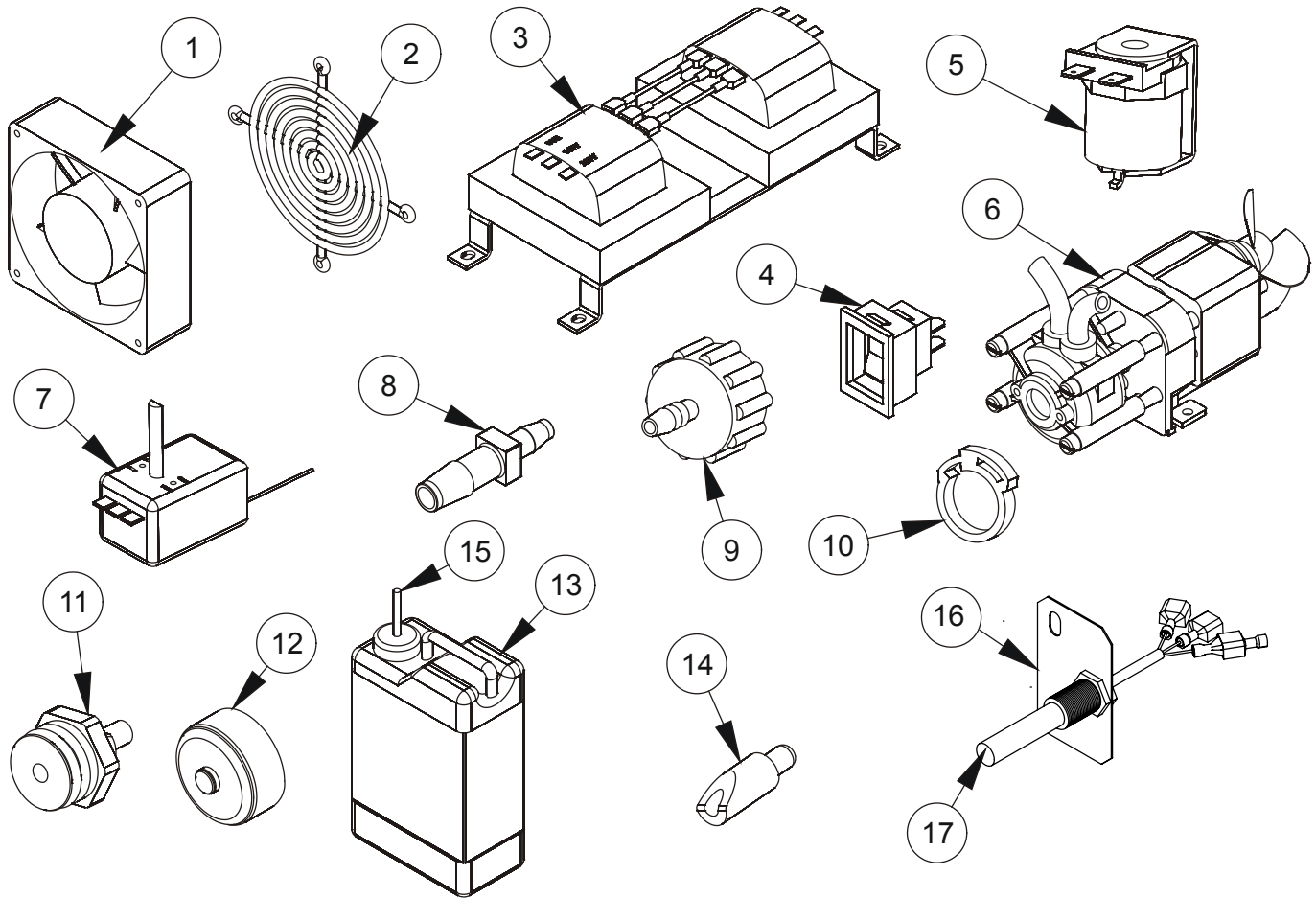
Hot Air Burner and Valve Components



Ref. No.	Part No.	Description
1	101473	VALVE, NATURAL GAS
	101474	VALVE, PROPANE GAS
2	18570	FITTING, 1/2" NPT X 1/2" COMPRESSION
3	R8950	FLEX TUBE, 1/2" OD X 12"
4	R8756	FITTING, TEE 1/2" NPT X 1/2" COMP X 1/2" COMP
5	15660	FITTING, ELBOW 1/2" COMPRESSION X 1/2" MALE NPT
6	R6330	FLEX TUBE, 3/8" OD X 36"
7	R11163	FITTING, 3/8" COMP X 1/2" NPT
8	R10679	FITTING, 1/4" PILOT TUBE
9	52952	PILOT FLEX TUBE, 1/4" OD X 48"
	R2953	INSHOT BURNER, 6 PLACES

Ref. No.	Part No.	Description
10	57658	PILOT ASSEMBLY, NATURAL GAS
	57659	PILOT ASSEMBLY, PROPANE GAS
11	R11131	ORIFICE, 6 PLACES NATURAL GAS
	R11132	ORIFICE, 6 PLACES PROPANE GAS
12	R11333	COMPLETE BURNER ASSEMBLY, NATURAL GAS
	R11334	COMPLETE BURNER ASSEMBLY, PROPANE GAS
13	52948	TRANSFORMER
14	R10043	RELAY, DPST
15	20348	IGNITION CONTROL
	55648	IGNITION WIRE, FROM CONTROL TO PILOT ASSEMBLY (BEFORE 2/7/14)
	57273	IGNITION WIRE, FROM CONTROL TO PILOT ASSEMBLY (AFTER 2/7/14)
	R4633	FLAME SENSE WIRE

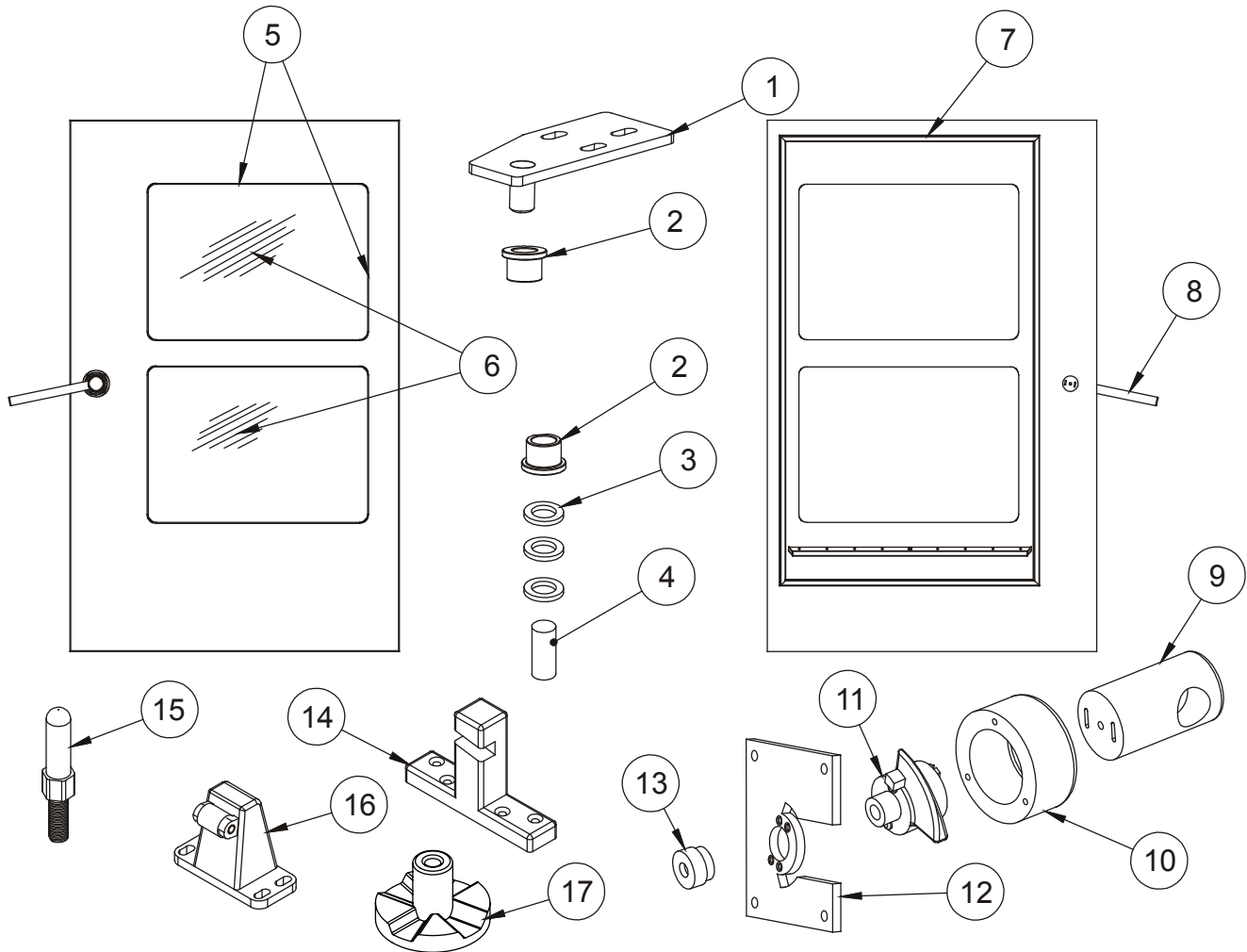
Misc. Electrical & Delime System Components



Ref. No.	Part No.	Description
1	23034	COOLING FAN, 230V 4"
2	22718	FAN GUARD
3	R9213	TRANSFORMER, 115V TO 230V
4	36376	GAS SWITCH
	R5078	FILL SOLENOID ASSY
5	R5075	WATER INLET SOLENOID
	R5094	SOLENOID, SINGLE (FILL)
	R7910	VARISTOR
6	R10398	DELIME PUMP
7	R3661	QUENCH THERMOSTAT
8	53641	FITTING, BARBED 1/4" X 3/8"
9	53752	FITTING, 3/4" GHT X 1/4" BARB
10	R10391	CLAMP, SNAP-GRIP
11	R10030	DELIME PORT
	R11008	HOSE, 3/8" ID (5 FOOT PIECE)
12	R10039	DELIME PORT CAP
13	R10732	DELIME BOTTLE
14	R11164	DELIME BOTTLE WEIGHT
15	R10394	HOSE, 1/4" ID CLEAR (BY THE FOOT)
16	58702	DOOR SWITCH UPGRADE KIT (INCLUDES ITEM #17) FOR OVENS W/O SECURITY PACKAGE
16	58709	DOOR SWITCH UPGRADE KIT (INCLUDES ITEM #17) FOR OVENS WITH SECURITY PACKAGE
17	58700	DOOR SWITCH
	R11128	POWER CORD
	R10373	PLUG, 1/4" THREADED POLY
	R10374	FITTING, BULKHEAD DELIMING PORT 1/4" X 3/4"
	R10375	FITTING, 1/4 NPT X 1/4 HOSE

Door Components

UNITS MANUFACTURED BEFORE 3-20-2014

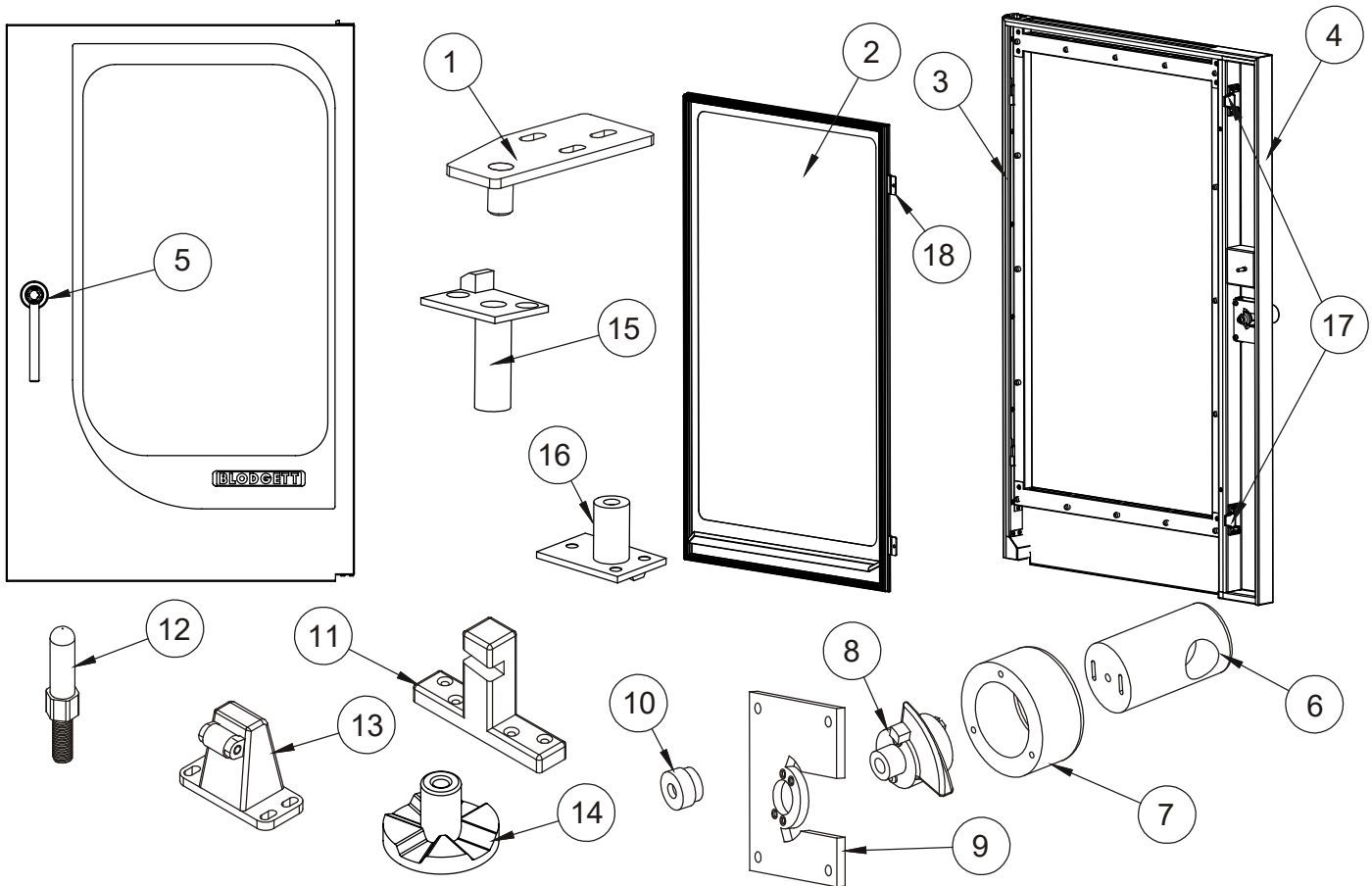


Ref. No.	Part No.	Description
1	R4130	TOP HINGE PLATE
2	15932	BUSHING
3	15933	SPACER
4	R3510	LOWER DOOR PIN
5	R2105	WINDOW GASKET (BY THE FOOT)
6	R5797	WINDOW GLASS
7	R4191	DOOR GASKET (FOR OVENS BUILT BEFORE 09-07-10)
	53568	DOOR GASKET (FOR OVENS BUILT AFTER 09-07-10)
	R3497	HORIZONTAL GASKET RETAINING STRIP (FOR OVENS BUILT BEFORE 09-07-10)
8	R11101	DOOR HANDLE
9	R7889	HANDLE SUPPORT
10	R11412	HANDLE BUSHING
11	R1082	DOOR HANDLE CAM

Ref. No.	Part No.	Description
12	R7944	DOOR LATCH PLATE
13	R11102	BUSHING
	R11106	COMPLETE HANDLE ASSEMBLY (INCLUDES ITEMS 8 THROUGH 13)
14	R0274	DOOR CAM CATCH
	R1009	PLASTIC INSERT
15	R2844	DOOR SWITCH ACTIVATOR
16	R0922	ROLLER CATCH (DOOR)
	R0923	LATCH (OVEN)
17	57132	DOOR DETENT FOR OVENS WITH BLACK GLASS DOOR
	58173	COMPLETE DOOR ASSEMBLY W/O SECURITY
	58172	COMPLETE DOOR ASSEMBLY W/ SECURITY

Black Glass Door Components

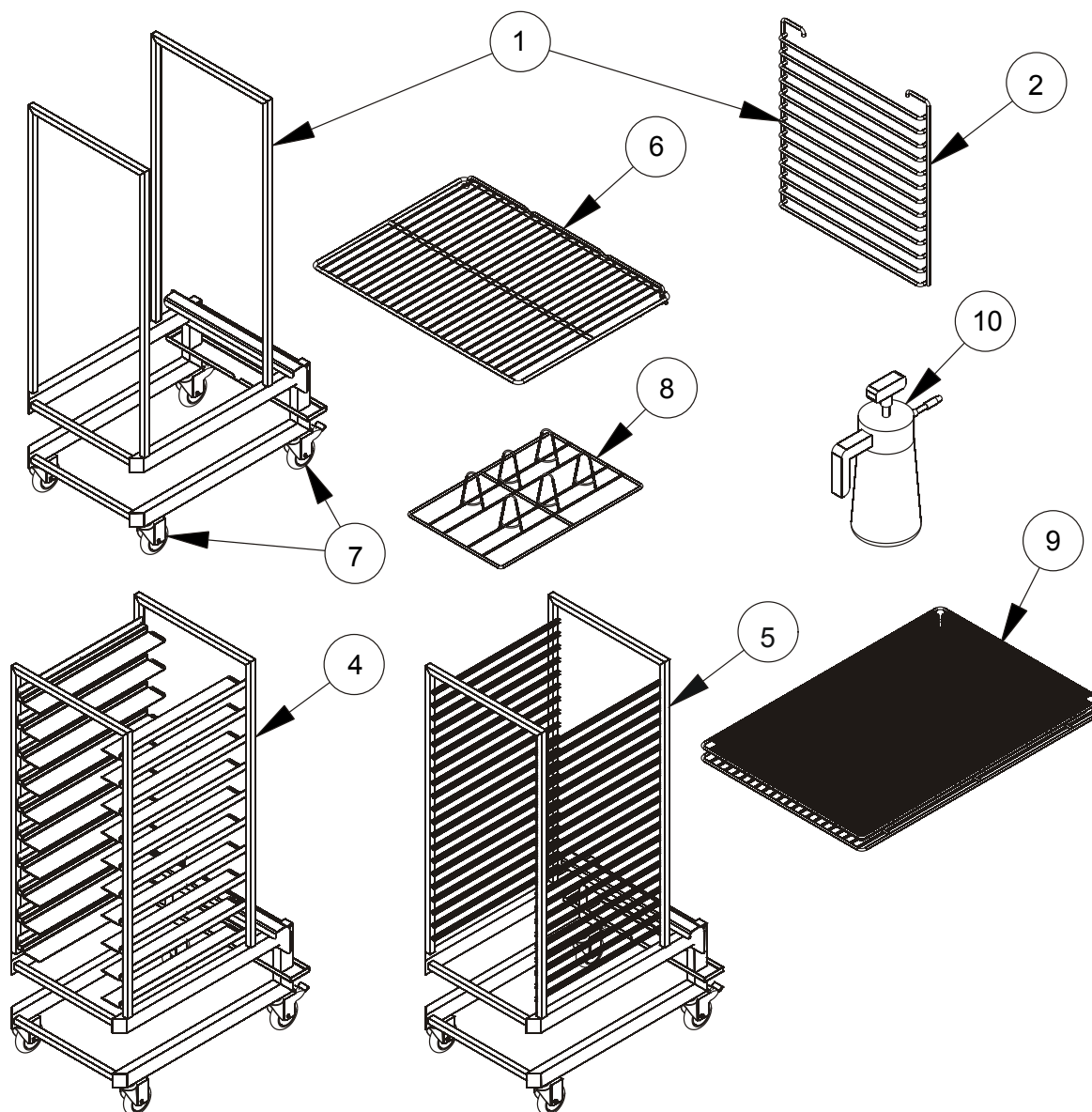
UNITS MANUFACTURED AFTER 3-20-2014



Ref. No.	Part No.	Description
1	56376	TOP HINGE PLATE
2	56371	INNER GLASS ASSEMBLY
3	53568	DOOR GASKET
4	58175	COMPLETE DOOR ASSEMBLY W/O SECURITY
4	58174	COMPLETE DOOR ASSEMBLY W/ SECURITY
5	R11101	DOOR HANDLE
6	R7889	HANDLE SUPPORT
7	R11412	HANDLE BUSHING
8	R1082	DOOR HANDLE CAM
9	R7944	DOOR LATCH PLATE
10	R11102	BUSHING
	R11106	COMPLETE HANDLE ASSEMBLY (INCLUDES ITEMS 8 THROUGH 13)

Ref. No.	Part No.	Description
11	R0274	DOOR CAM CATCH
	R1009	PLASTIC INSERT
12	R2844	DOOR SWITCH ACTIVATOR
13	R0922	ROLLER CATCH
14	60180	DOOR DETENT FOR OVENS WITH BLACK GLASS DOOR
	60055	BOLT, SET M6 X 20 HEX HEAD
15	60176	UPPER DOOR BUSHING
16	60177	LOWER DOOR BUSHING
	20399	SCREW, MACHINE 10-24 X 3/4", QTY 3
17	R0923	BALL CATCH
18	R8080	SCREW FOR INNER GLASS

Accessories



Ref. No.	Part No.	Description
1	R5792	TC-14 CART, COMPLETE (INCLUDES 4-ITEM #2)
2	R4487	RACK GUIDE, STANDARD DESIGN FOR TC-14 CART (2 OR 4 PER CART) 13 POSITIONS
4	R5989	TC-10 CART, COMPLETE WITH NON-REMOVABLE UNIVERSAL (RACK OR PAN) GUIDES 10 POSITIONS
5	R5839	TC-20 CART, COMPLETE WITH NON-REMOVABLE STANDARD (RACK) GUIDES 20 POSITIONS
6	R5324	WIRE RACK, TC-14
	R1013	WIRE RACK, TC-20
7	R11249	CASTERS (SET OF 4) TC-14, TC-10, TC-20, OR 96 PLATE BANQUET CART
	R3492	LEG, STANDARD (EA)
	R4803	LEG, SEISMIC (EA)
	R6184	LEG, SEISMIC (SET OF 4)
8	52387	CHICKEN RACK
9	54247	MULTI-PURPOSE FRY RACK
10	R10955	SPRAY BOTTLE
	21242	GAS HOSE, 48"
	21826	GAS HOSE, 36"
	R11534	96 PLATE BANQUET CART, COMPLETE
	R11426	THERMAL COVER