



30 Pine Street • New Rochelle • New York • 10801

914 / 576 - 0200

914 / 576 - 0605 fax

1 - 800 - 431 - 2745 US & Canada

www.bakerspride.com web address

Y-800

Gas Deck Oven

PARTS LIST

UltraDeck 8

GAS PIZZA SERIES



Model Number: **Y-800**

Serial Number _____

Type of Gas

Natural

L.P.

Other

Y-800

Gas Deck Oven

30 Pine Street • New Rochelle • New York • 10801

914 / 576 - 0200

914 / 576 - 0605 fax

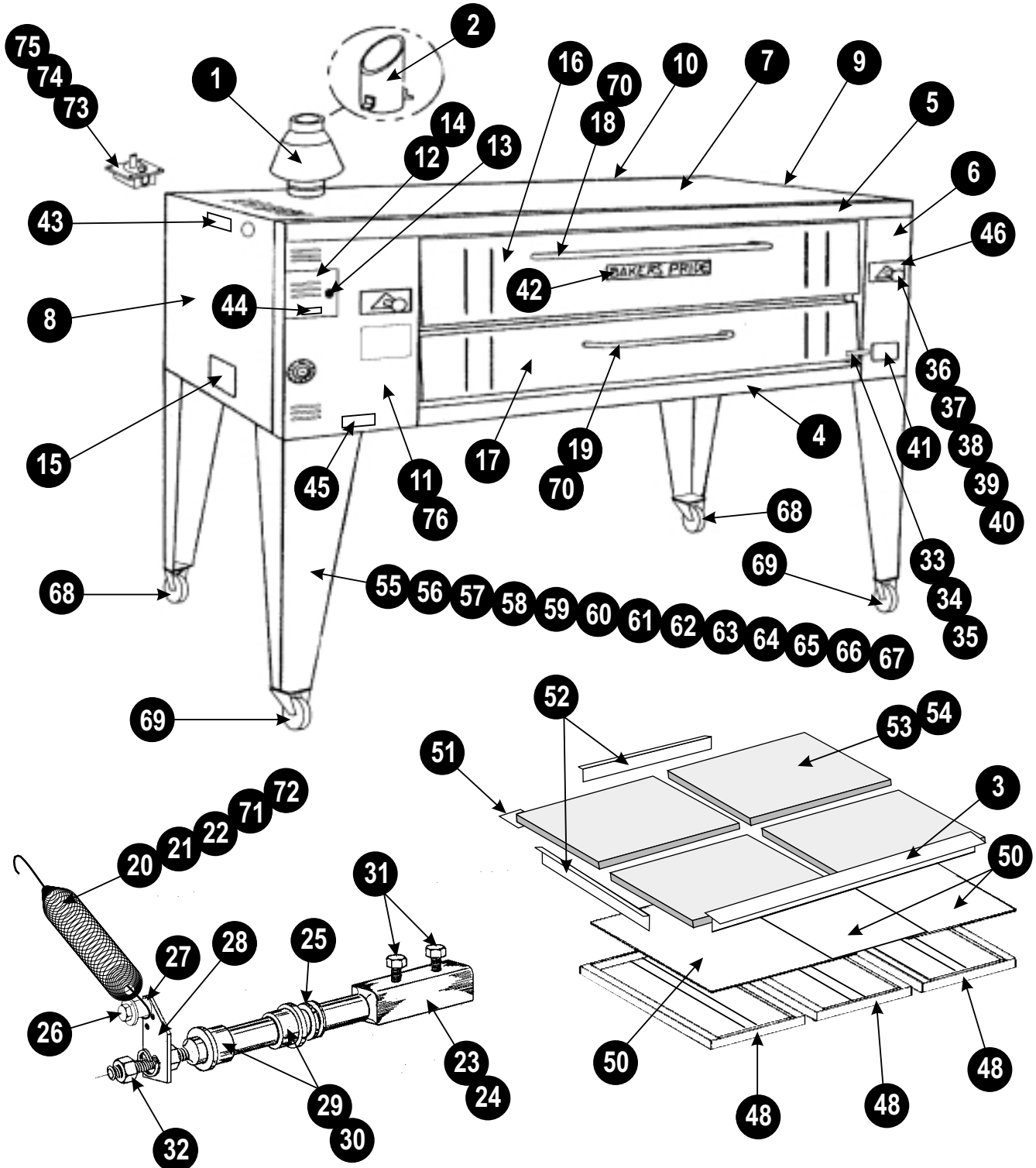
1 - 800 - 431 - 2745 US & Canada

www.bakerspride.com web address



Figure A

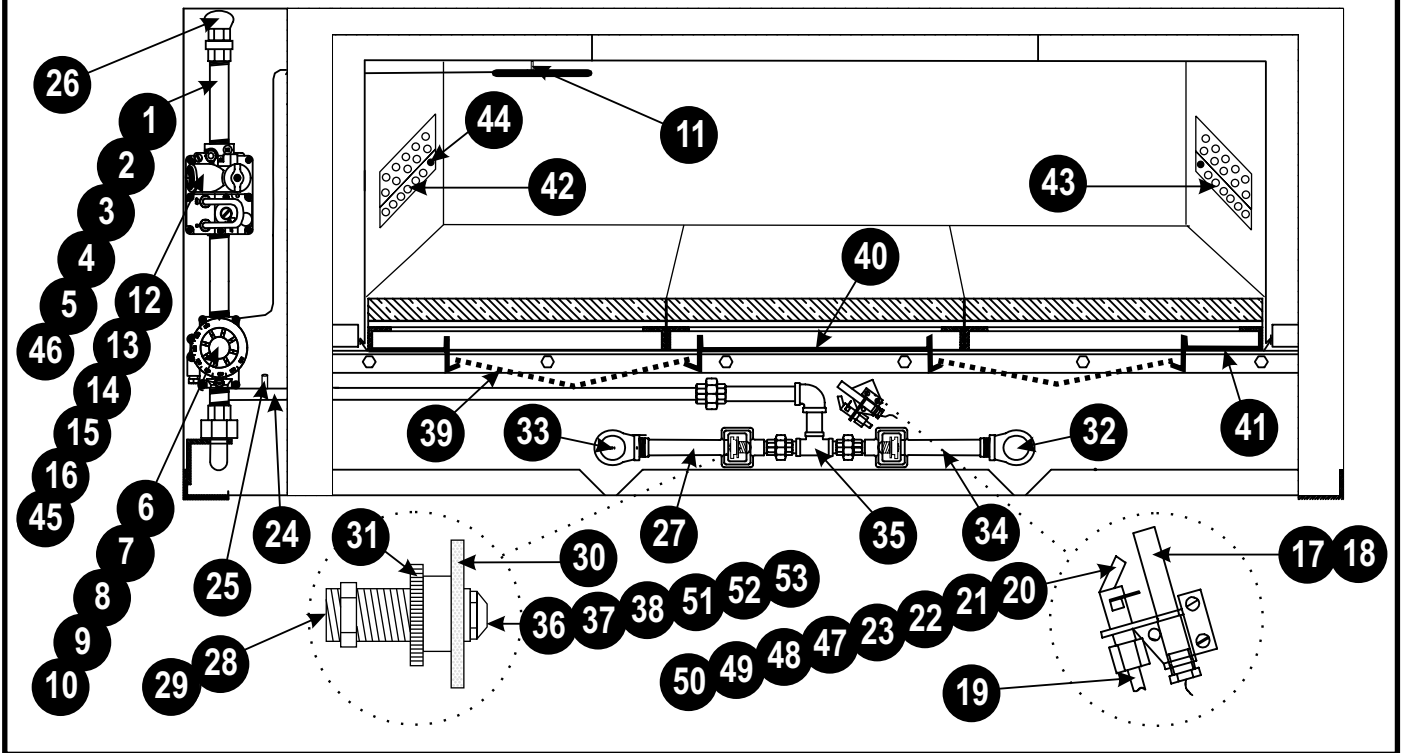
Exterior / Decks / Doors



Item	Part #	Description	Item	Part #	Description
Exterior / Decks / Doors					
1	R3002Y	Flue Diverter, Direct Vent	36	S3036X	Push-Pull Rod
2	R3115Y	Flue Diverter, Collection Hood	37	S1005A	Knob, Push-Pull, 3/8"-16
3	A1153X	Hearth Trim Assy, S/S (1)	38	Q2217A	Bolt, Push-Pull Rod (1)
4	A4001X	Bottom Apron, S/S	39	Q2306A	Nut, Push-Pull Rod (2)
5	A4202X	Top Trim, S/S	40	Q3009A	Flat Washer, Push-Pull Rod (2)
6	A4205X	Front Panel, Right, S/S	41	U1041A	Plate, Minimum Clearance
7	A4207X	Outer Top Assy, S/S	42	U1043X	Bakers Pride Logo, (13 3/4")
8	A4211X	Outer Side, Left, S/S	43	U1210A	Label, Warning
9	A4215X	Outer Side, Right, S/S	44	U1230A	Label, Inst. Under Vent Hood
10	A4227U	Outer Back Assy, S/S	45	U1240A	Label, Unit For Use Only With.....
11	A4220U	Control Panel Assy, S/S	46	U1224A	Plate, Push-Pull
12	A4129U	Combination Valve Door Assy, S/S	47		Discontinued
13	S1153X	Knob	48	A4292T	Hearth Frame Assy, (3)
14	S3203X	Latch Assy, Magnetic	49		Discontinued
15	K1209X	Access Cover, Left	50	A4290X	Hearth Liner Sheet, (Set/3)
16	A4136X	Door Assy, Top (54" x 8")	51	A4140Z	Shim, Hearth (ea)
17	A4305X	Door Assy, Bottom	52	K1099K	Wedge, Hearth, 30" (2)
18	S1196X	Handle w/2 Screws, Top Door (30")	53	T1153Y	Hearth Baking Deck, 22x33x1 1/2 (ea)
19	S1002X	Handle w/2 Screws, Bottom Door (17 1/2")	54	T1153X	Hearth Baking Deck, 22x33x1 1/2 (Set/4)
20	S3003X	Spring, Top Door, 1 1/8" x 9 3/4"	55	S1018Y	Legs, 12" (Set/4, w/Bolts)
21	S3004X	Spring, Bottom Door 13/16" x 6 3/4"	56	S1018T	Leg, 12" (ea)
22	A1428X	Spring Retro Kit (O/S to N/S Door)	57	S1003Y	Legs, 16" (Set/4, w/Bolts)
23	S3128W	Door Rod Assy, Left Side (3/4" x 14 1/2")	58	S1003X	Leg, 16" (ea)
24	S3128X	Door Rod, Left Side (3/4" x 14 1/2")	59	S1004Y	Legs, 30" (Set/4, w/Bolts)
25	Q3024X	Spacer Kit, Door Rod	60	S1004X	Leg, 30" (ea)
26	Q2301X	Shoulder Bolt, 3/8-16 x 1"	61	S1039Y	Legs, 38" (Set/4, w/Bolts)
27	S3007X	Teflon Bushing Assy	62	S1039T	Leg, 38" (ea)
28	S3056X	Lever, Door Spring (3 1/2")	63	Q2102A	Bolt, Leg, 1/2-13 x 1 (ea)
29	S3135X	Bushing w/Insert, Door Rod (3/4")	64	S1076X	S/S Leg Wrap, 12" (Set/2)
30	S3133X	Insert Only (Duralon)	65	S1077X	S/S Leg Wrap, 16" (Set/2)
31	Q2303X	Bolt, Door Rod, 3/8-16 (2)	66	S1078X	S/S Leg Wrap, 30" (Set/2)
32	Q2401X	Nut, Door Rod (9/16-18)	67	S1079X	S/S Leg Wrap, 38" (Set/2)
33	S3009X	Pin, Door, Right Side (9/16"-18 x 3")	68	S1022X	Caster, No Lock (ea)
34	S3138X	Sleeve Assy, Door Pin	69	S1023X	Caster, w/Lock (ea)
35	Q3023X	Spacer Kit, Door Pin	N/S	M1002X	Automatic Oven Starter (7 Day Timer)
Older Y-800's Equipped w/FMEA Valve (End: 10/94, SN 923)					
70	S1002X	Top & Bottom Door Handle (17 1/2")	74	M1184X	Pressure Reg, Nat, 3.5"WC (120,000 BTU)
71	S3002X	Spring, Top Door, 1 3/8" x 11 5/8"	75	M1009X	Pressure Reg, LP, 10"WC
72	S3003X	Spring, Bottom Door, 1 1/8" x 9 3/4"	76	A4203X	Control Panel, S/S, FMEA
73	M1008X	Pressure Reg, Nat, 5"WC (140,000 BTU)			
Qty BGOR Conversion Kit (LP to Nat)			Qty BGOR Conversion Kit (Nat to LP)		
2	R3117X	Orifice, Nat, #25 Drill	2	R3129X	Orifice,LP #43 Drill
1	M1297X	BGOR Valve Kit, Nat	1	M1221X	BGOR Valve Kit, LP
1	M1244X	Orifice, Pilot, Nat, 2 CHA-1 (.018")	1	M1245X	Orifice, Pilot, LP, 2 CHA-1 (.010")
Qty BMVR Conversion Kit (LP to Nat)			Qty BMVR Conversion Kit (Nat to LP)		
2	R3117X	Orifice, Nat, #25 Drill	2	R3129X	Orifice,LP #43 Drill
1	M1260X	BMVR Valve Kit, Nat	1	M1221X	BMVR Valve Kit, LP
1	M1244X	Orifice, Pilot, Nat, 2 CHA-1 (.018")	1	M1245X	Orifice, Pilot, LP, 2 CHA-1 (.010")
Qty FMEA Conversion Kit (LP to Nat)			Qty FMEA Conversion Kit (Nat to LP)		
2	R3009X	Orifice, Nat, #28 Drill	2	R3129X	Orifice,LP #43 Drill
1	M1008X	Pressure Regulator, 5"WC	1	M1009X	Pressure Reg, LP, 10"WC
1	M1056X	Orifice, Pilot, Nat, (.018")	1	M1057X	Pilot Orifice, LP (.010")

Figure B

Controls / Interior Components



Item	Part #	Description	Item	Part #	Description
1	* M1298P	Control Assy, Nat (w/BGOR Valve)	23	M1245X	Orifice, Pilot, LP, 2 CHA-1 (.010")
2	* M1299P	Control Assy, LP (w/BGOR Valve)	24	R1041P	Manifold Assy
3	* M1300P	Control Assy, CE, Nat (w/BGOR Valve)	25	N3068P	Pressure Tap Nozzle Assy
4	M1242X	Control Assy, Nat (End 8/98, SN1297) BMVR	26	R1062P	Gas Inlet Assy
5	M1248X	Control Assy, LP (End 8/98, SN1297) BMVR	27	L5001X	Inspirator #3
6	M1005X	Thermostat, Gas, FDTH (650F)	28	R3007X	Spud Assy #3
7	S1056X	Knob, Thermostat, 650F	29	R3004A	Spud Holder #3
8	S1163X	Knob, Thermostat, CE, 340C	30	R3005A	Adjusting Disc, #3
9	M1390X	Thermostat, High Heat, Elec (Opt.)	31	R3006A	Locking Disc, #3
10	S1207A	Knob, High Heat Thermostat (1-10)	32	L5049P	Burner w/Cap & Elbow, Right, 32 1/2"
11	Q4021X	Capillary Clip	33	L5048P	Burner w/Cap & Elbow, Left, 32 1/2"
12	* R3152X	Valve, Nat, 7000-BGOR	34	L5058X	Burner, Complete (To Union) 32 1/2"
13	* R3154X	Valve, LP, 7000-BGOR	35	N3060P	Manifold Tee Assy (32 1/2")
14	* R3156X	Valve, Nat, CE, U7000-BGOR	36	R3129X	Orifice, LP, #43 Drill (2)
15	R3104X	Valve, BMVR, Nat (End 8/98, SN1297)	37	R3117X	Orifice, Nat, #25 Drill (2)
16	R3124X	Valve, BMVR, LP (End 8/98, SN1297)	38	R3008X	Orifice, Blank - Not drilled
17	M1296X	Thermopile, T46 (72")	39	A4265X	Flame Diverter, Slide Out (2)
18	M1265X	Thermopile (End 8/98, SN1297)	40	A4263X	Flame Diverter, Center (1)
19	R3036X	Pilot Tubing, S/S, 3/16" x 45"	41	A4262X	Flame Diverter, Side (2)
20	M1220X	Pilot Burner, Natural, w/Ftgs, 2 CHA-1	42	A4586T	Flue Slide Assy, Lower, Left
21	M1222X	Pilot Burner, LP, w/Fittings, 2 CHA-1	43	A4587T	Flue Slide Assy, Lower, Right
22	M1244X	Orifice, Pilot, Nat, 2 CHA-1 (.018")	44	S1010A	Knob, Flue Slide
<p>* Discontinued 7/00. Substitute BMVR parts listed above. ALWAYS INCLUDE #M1265X Thermopile.</p> <p>Older Y-800's Equipped w/FMEA Valve (End: 10/94, SN 923)</p>					
45	M1004X	Valve, FMEA (Includes T-couple) O/S	51	R3009X	Orifice #28, Nat (5"WC)
46	M1064X	Control Assy, Nat or LP (Union to Union)	52	R3117X	Orifice #25, Nat (3.5"WC)
47	M1054X	Pilot Burner, Nat, w/Fittings, #11E	53	R3129X	Orifice #43, LP (10"WC)
48	M1055X	Pilot Burner, LP, w/Fittings, #11E	N/S	R3001X	1/2" Gas Valve w/Handle
49	M1056X	Pilot Orifice, Nat (.018")	N/S	S1001T	Handle, 1/2" Gas Valve
50	M1057A	Pilot Orifice, LP (.010")			