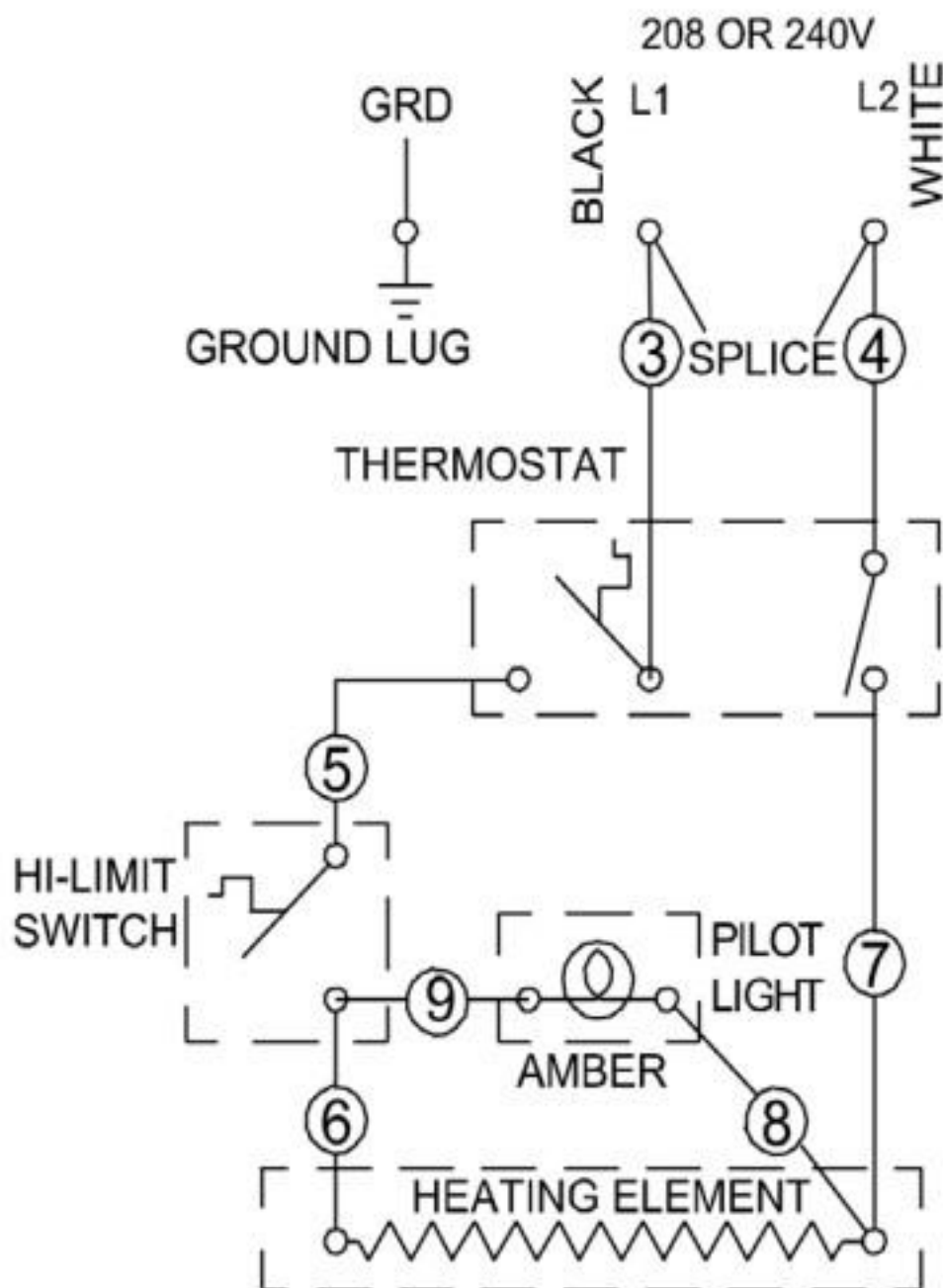


CHECK DATA PLATE & CONNECT TO 208 OR 240V AS INDICATED.

MODEL #	VOLTS	WATTS	AMPS	WIRE	VOLTS	WATTS	AMPS	WIRE
EF15-Ni	240	5700	23.8	12	208	4280	20.6	12
EF15-Ni-208	-	-	-	-	208	5700	27.5	10

Wire sizes listed above are for reference only. Check local codes or the National Electrical Code for sizes to be used.



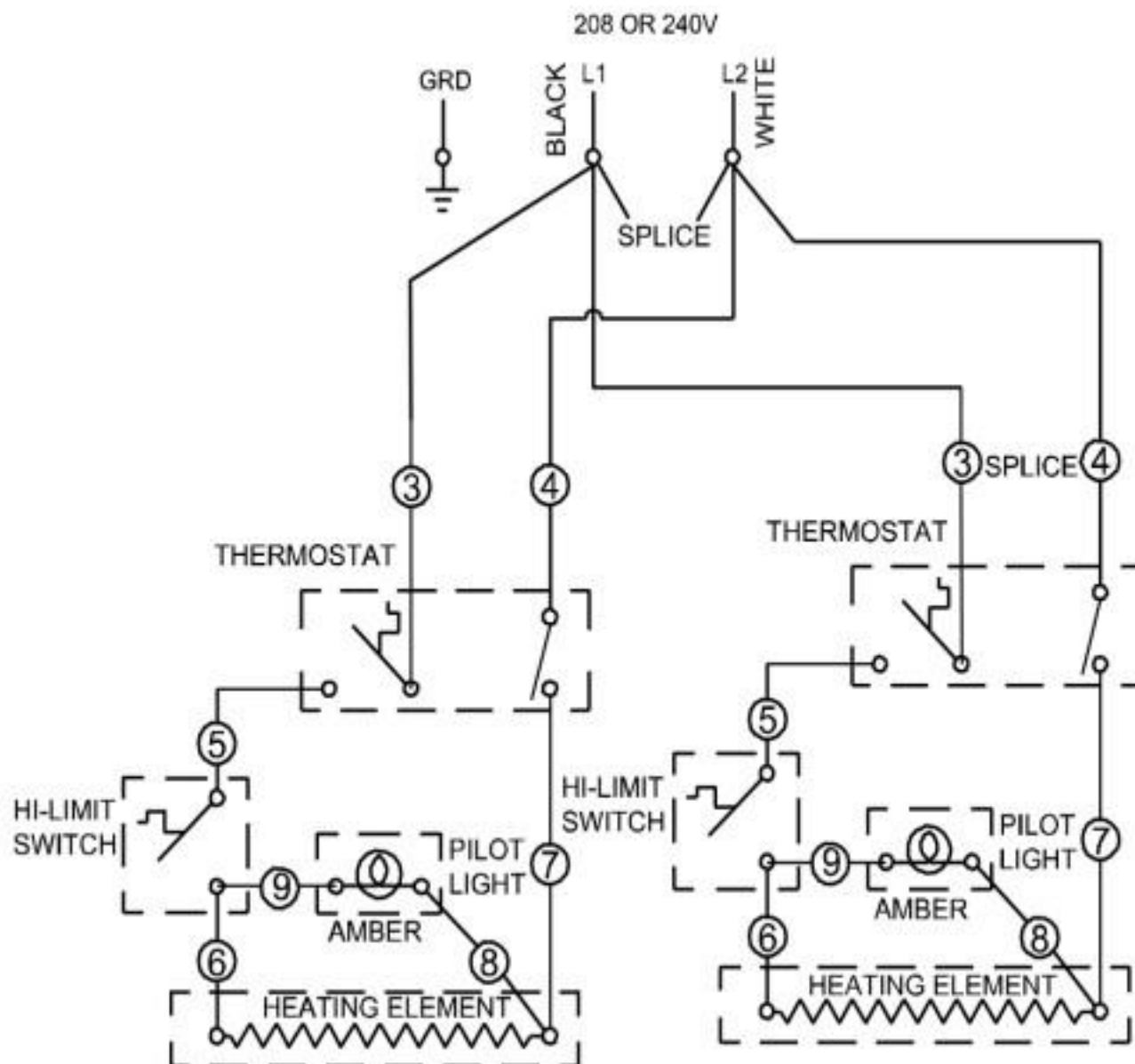
⚠ WARNING

THIS UNIT TO BE CONNECTED TO 1Ø ONLY

CHECK DATA PLATE & CONNECT TO 208 OR 240V AS INDICATED.

MODEL #	VOLTS	WATTS	AMPS	WIRE	VOLTS	WATTS	AMPS	WIRE
EF30-NTi	240	11400	47.6	6	208	8560	41.2	6

Wire sizes listed above are for reference only. Check local codes or the National Electrical Code for sizes to be used.



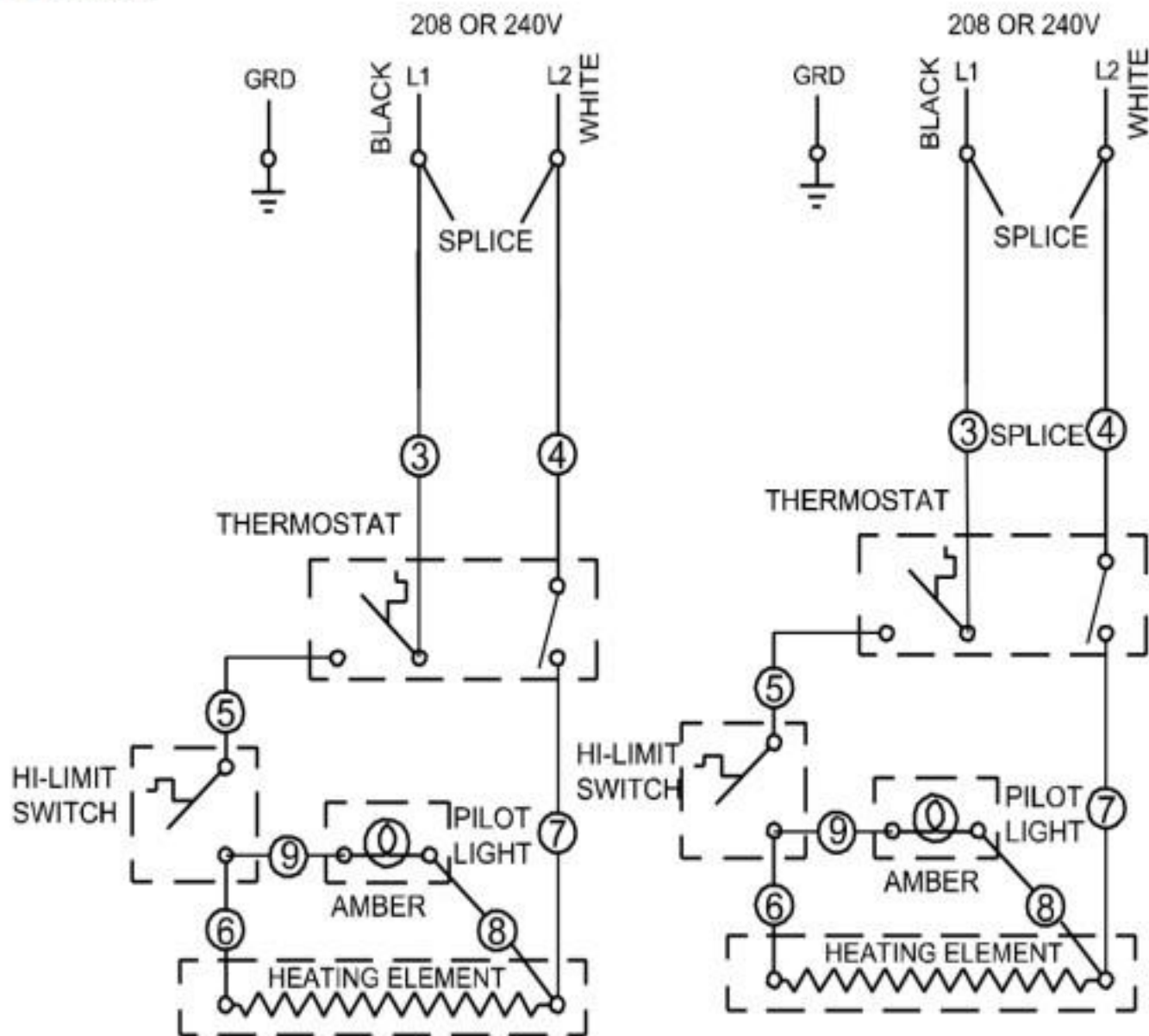
⚠ WARNING

THIS UNIT TO BE CONNECTED TO 1Ø ONLY

CHECK DATA PLATE & CONNECT TO 208 OR 240V AS INDICATED.

MODEL #	VOLTS	WATTS	AMPS	WIRE	VOLTS	WATTS	AMPS	WIRE
EF30-NTi	240	11400	23.8 & 23.8	12	208	8560	20.6 & 20.6	12

Wire sizes listed above are for reference only. Check local codes or the National Electrical Code for sizes to be used.



⚠ WARNING

THIS APPLIANCE HAS MORE THAN ONE POWER SUPPLY CONNECTION POINT. DISCONNECT ALL POWER SUPPLIES BEFORE SERVICING

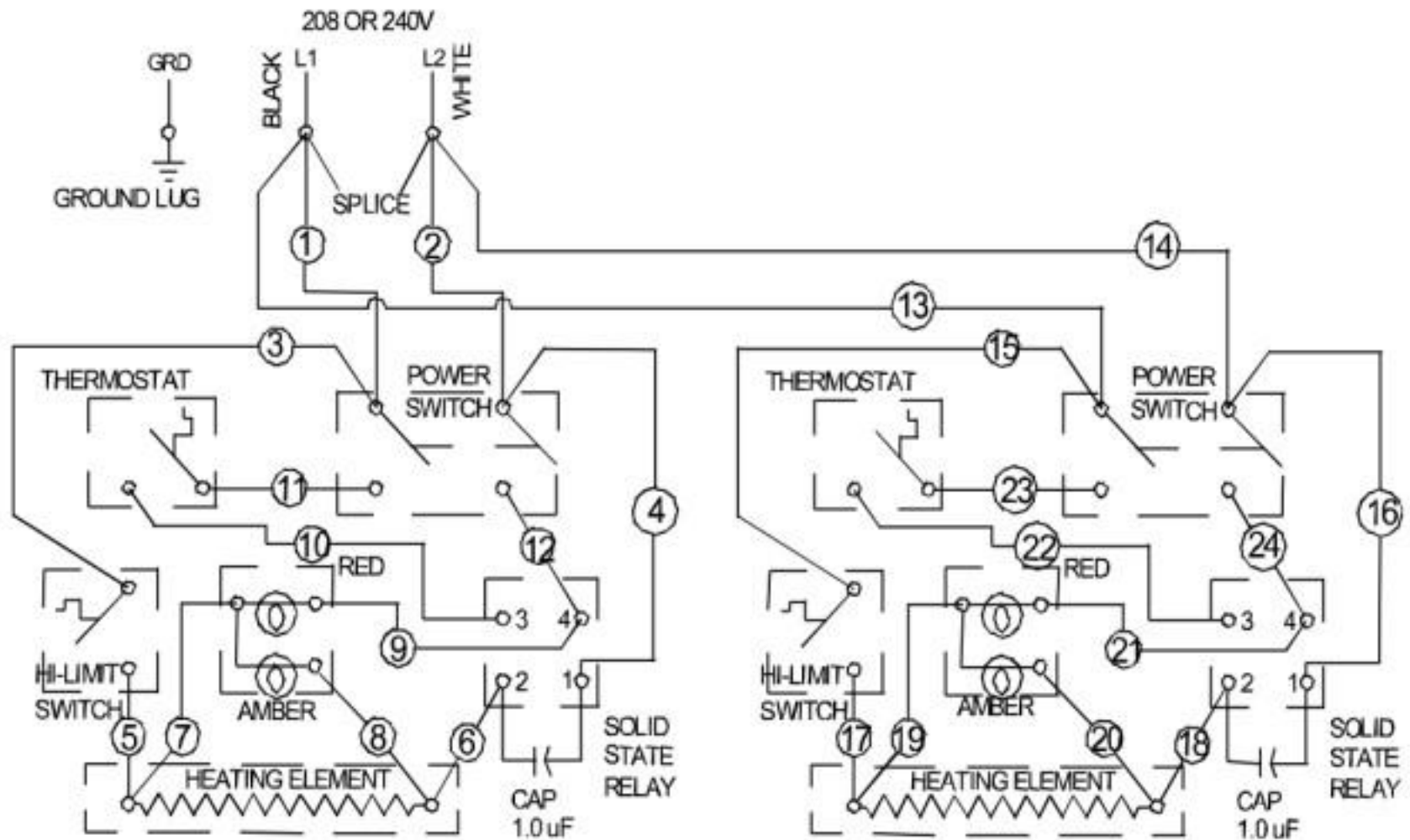
⚠ WARNING

THIS UNIT TO BE CONNECTED TO 1Ø ONLY

CHECK DATA PLATE & CONNECT TO 208 OR 240V AS INDICATED.

MODEL #	VOLTS	WATTS	AMPS	WIRE
EF30-NTCi-208	208	11400	55.0	4

Wire sizes listed above are for reference only. Check local codes or the National Electrical Code for sizes to be used.



⚠ WARNING

THIS UNIT TO BE CONNECTED TO 1Ø ONLY