



OPERATION MANUAL

**HD COOKLINE SERIES GAS COUNTERTOP GRIDDLES
WITH THERMOSTATIC CONTROLS**

SERIES: BPHTG



BUILT BY CRAFTSMEN. TESTED BY TIME®.



Thermostatic Heavy Duty Gas Griddle Operation Manual

Thermostatic Heavy Duty Gas Griddle Operation Manual

Thermostatic Heavy Duty Gas Griddle Models:
BPHTG-2424i, BPHTG-2436i, BPHTG-2448i,
BPHTG-2460i, BPHTG-2472i

Bakers Pride Oven Company, LLC is a wholly owned subsidiary of Standex International Corporation.

All gas operated Bakers Pride® griddles are intended for use with the type of gas specified on the rating plate and for installation will be in accordance with National Fuel Gas Code ANSI Z223.1 (latest edition)

WARNING
FOR YOUR SAFETY: Do not store or use gasoline or other flammable vapors or liquids in the vicinity of this or any other appliance.

WARNING
Improper installation, adjustment, alteration, service or maintenance can cause property damage, injury or death. Read the installation, operating and maintenance instructions thoroughly before installing or servicing this equipment.

WARNING
California Residents Only
WARNING: This product can expose you to chemicals including chromium which is known to the State of California to cause cancer and birth defects or other reproductive harm. For more information go to www.P65Warnings.ca.gov.

WARNING
Instructions must be posted in a prominent location. All safety precautions must be taken in the event the user smells gas. Safety information can be obtained from your local gas supplier.

Please complete this information and retain this manual for the life of the equipment. For Warranty Service and/or Parts, this information is required.

Model Number

Serial Number

Date Purchased



BAKERS PRIDE OVEN COMPANY, LLC.

1307 N. Watters Rd., Suite 180
Allen, TX 75013

Phone: 800.527.2100 | Fax: 914.576.0605 | www.bakerspride.com



TABLE OF CONTENTS

INTRODUCTION	1
SAFETY PRECAUTIONS	2
GENERAL INSTALLATION INSTRUCTIONS	3
SPECIFICATIONS & DIMENSIONS	4
CONVERSION	7
LIGHTING INSTRUCTIONS	8
OPERATING INSTRUCTIONS	10
CLEANING/MAINTENANCE	10
SERVICE/REPAIR	11
TROUBLESHOOTING GUIDE	11
REPLACEMENT PARTS LISTS & EXPLODED VIEWS	12
WARRANTY	17

INTRODUCTION

CAUTION

These models are designed, built, and sold for commercial use. If these models are positioned so the general public can use the equipment, make sure that cautions, warnings, and operating instructions are clearly posted near each unit so that anyone using the equipment will use it correctly and not injure themselves or harm the equipment.

WARNING

Improper installation, adjustment, alteration, service or maintenance can cause property damage, injury or death. Read the installation, operating and maintenance instructions thoroughly before installing or servicing this equipment.

WARNING

For your safety do not store or use gasoline or other flammable vapors and liquids in the vicinity of this or any other appliance. Keep the area free and clear of combustibles. (See ANZI Z83. 14B, 1991).

NOTICE

Instructions to be followed if anyone smells gas should be posted in a prominent place. These may be obtained from the gas supplier.

GAS PRESSURE

The appliance and its individual shutoff valve (to be supplied by user) must be disconnected from the gas supply piping system during any pressure testing of that system at test pressures in excess of 1/2 psi (3.45 kPa). The appliance must be isolated from the gas supply piping system by closing its individual manual shut-off valve during any pressure testing of the gas supply piping system at test pressures equal to or less than

1/2 psi (3.45 kPa).

WARNING

A factory authorized agent should handle all maintenance and repair. Before doing any maintenance or repair, contact Bakers Pride.



INTRODUCTION

Congratulations on your purchase of Bakers Pride® commercial cooking equipment. Bakers Pride takes pride in the design and quality of our products. When used as intended and with proper care and maintenance, you will experience years of reliable operation from this equipment. To ensure best results, it is important that you read and follow the instructions in this manual carefully.

Location of Data Plate

The data plate is located on the right side panel.

Immediately Inspect For Shipping Damage

All containers should be examined for damage before and during unloading. The freight carrier has assumed responsibility for its safe transit and delivery. If equipment is received damaged, either apparent or concealed, a claim must be made with the delivering carrier.

- A) Apparent damage or loss must be noted on the freight bill at the time of delivery. It must then be signed by the carrier representative (Driver). If this is not done, the carrier may refuse the claim. The carrier can supply the necessary forms.
- B) Concealed damage or loss if not apparent until after equipment is uncrated, a request for inspection must be made to the carrier within 15 days. The carrier should arrange an inspection. Be certain to hold all contents and packaging material.

Installation and start-up should be performed by a qualified installer who thoroughly read, understands and follows these instructions.

If you have questions concerning the installation, operation, maintenance or service of this product, write Technical Service Department Bakers Pride Oven Co., LLC, 1307 N. Watters Rd #180, Allen, TX 75013.

SAFETY PRECAUTIONS

⚠ DANGER

This symbol warns of imminent hazard which will result in serious injury or death.

⚠ WARNING

This symbol refers to a potential hazard or unsafe practice, which could result in serious injury or death.

⚠ CAUTION

This symbol refers to a potential hazard or unsafe practice, which may result in or moderate injury or product or property damage.

NOTICE

This symbol refers to information that needs special attention or must be fully understood even though not dangerous.

NOTICE

This product is intended for commercial use only. Not for household use.

⚠ CAUTION

These models are designed, built, and sold for commercial use. If these models are positioned so the general public can use the equipment make sure that cautions, warnings, and operating instructions are clearly posted near each unit so that anyone using the equipment will use it correctly and not injure themselves or harm the equipment.

⚠ WARNING

Improper installation, operation, service or maintenance can cause property damage, injury or death. Read and understand these instructions thoroughly before positioning, installing, maintaining or servicing this equipment



SAFETY PRECAUTIONS

⚠ WARNING

Keep the appliance free & clear of all combustible substances. If gas odor is detected at any time, immediately shut unit down at the main shutoff valve. Do not permit any open flames in the area of the appliance. Immediately contact an authorized Service Agency or your local Gas Supplier for service.

⚠ WARNING

Do not obstruct either the air inlet (underneath unit) or the ventilation air (back of unit). Provisions must be provided to provide an adequate air supply to the griddle.

NOTICE

Local codes regarding installation vary greatly from one area to another. The National Fire Protection Association, Inc., states in its NFPA96 latest edition that local codes are “Authority Having Jurisdiction” when it comes to requirement for installation of equipment. Therefore, installation should comply with all local codes.

GENERAL INSTALLATION INSTRUCTIONS

Ensure gas supply and gas type, as shown on unit nameplate, agree.

Unit installation must conform to the National Fuel Gas Code, ANSI Z223.1/NFPA 54, the National Gas Installation Code, CSA-B149.1, or the Propane Installation Code, CSA-B149.2 as applicable and in accordance with local codes.

Screw legs into the permanently fastened nuts on the four corners of the unit and tighten by hand. Level the unit by turning the adjustment screw at the bottom of each leg. Do not slide unit with legs mounted, lift if necessary to move unit.

Pipe threading compound must be resistant to the action of liquefied petroleum gases.

⚠ CAUTION

DO NOT use an open flame to check for leaks. Check all gas piping for leaks with a soap and water solution before operating unit.

THESE UNITS ARE SUITABLE FOR INSTALLATION ON NON-COMBUSTIBLE SURFACES ONLY.

Noncombustible clearances:

0” sides (0 mm) 0” rear (0 mm) 4” floor (102mm)

Do not obstruct the flow of combustion and ventilation air, under the unit by the legs or behind the unit by the flue.

Adequate clearance for air openings into the combustion chamber is required. Do not place objects between the bottom of the unit and the counter top.

There must be adequate clearance for removal of the front panel. All major parts except the burners are removable thru the front if the gas line is disconnected.

Unit must have adequate clearances for servicing. (Sides = 0”, Rear = 0”, Floor = 4”).

European Community Installation Instructions:

“THIS APPLIANCE MUST BE FITTED BY A COMPETENT PERSON. IN THE UK, CORGI REGISTERED INSTALLERS (INCLUDING THE REGIONS OF BRITISH GAS) UNDERTAKE TO WORK TO SAFE AND SATISFACTORY STANDARDS. THIS APPLIANCE MUST BE INSTALLED IN ACCORDANCE WITH THE GAS SAFETY (INSTALLATION AND USE) REGULATIONS AND THE RELEVANT BUILDING REGULATIONS / IEE. REGULATIONS. DETAILED RECOMMENDATIONS ARE CONTAINED IN THE FOLLOWING BRITISH STANDARD CODES OF PRACTICE - BS 6172, BS 5440 PART 2, BS 6891”

“THIS APPLIANCE MUST BE INSTALLED IN ACCORDANCE WITH THE RULES IN FORCE”

“MUST BE INSTALLED IN A WELL VENTILATED AREA. Ventilation requirements ie. B.S. 5440.”



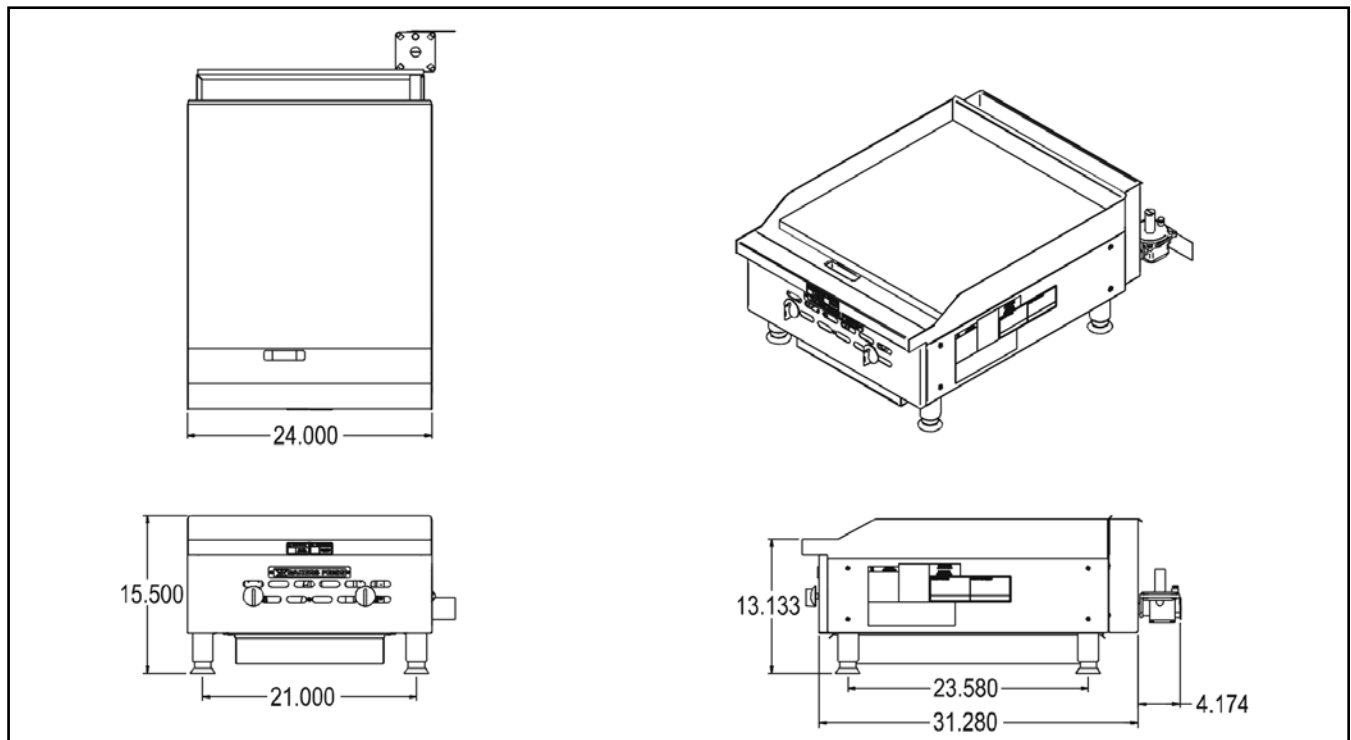
SPECIFICATIONS AND DIMENSIONS

Model	Width In. (mm)	Depth In. (mm)	Height In. (mm)	Number of Burners	BTU/KW Per Burner	Total Btu/kw Hour	W.C In. ('Mbar')
BPHTG-2424i	24" (609.6)	33.312" (876)	15.437" (392.1)	2	32,000 (9.78)	64,000 (18.8)	5 (12.4)
BPHTG-2436i	36" (914.4)	33.312" (876)	15.437" (392.1)	3	32,000 (9.78)	96,000 (28.1)	5 (12.4)
BPHTG-2448i	48" (1219.2)	33.312" (876)	15.437" (392.1)	4	32,000 (9.78)	128,000 (37.5)	5 (12.4)
BPHTG-2460i	60" (1524.0)	33.312" (876)	15.437" (392.1)	5	32,000 (9.78)	160,000 (46.9)	5 (12.4)
BPHTG-2472i	72" (1828.8)	33.312" (876)	15.437" (392.1)	6	32,000 (9.78)	192,000 (56.3)	5 (12.4)

Griddle Surface Dimension

Model	Width In. (mm)	Depth In. (mm)
BPHTG-2424i	23.844" (605.6)	24" (609.6)
BPHTG-2436i	35.844" (910.4)	24" (609.6)
BPHTG-2448i	47.844" (1215.2)	24" (609.6)
BPHTG-2460i	59.844" (1520.0)	24" (609.6)
BPHTG-2472i	71.844" (1824.8)	24" (609.6)

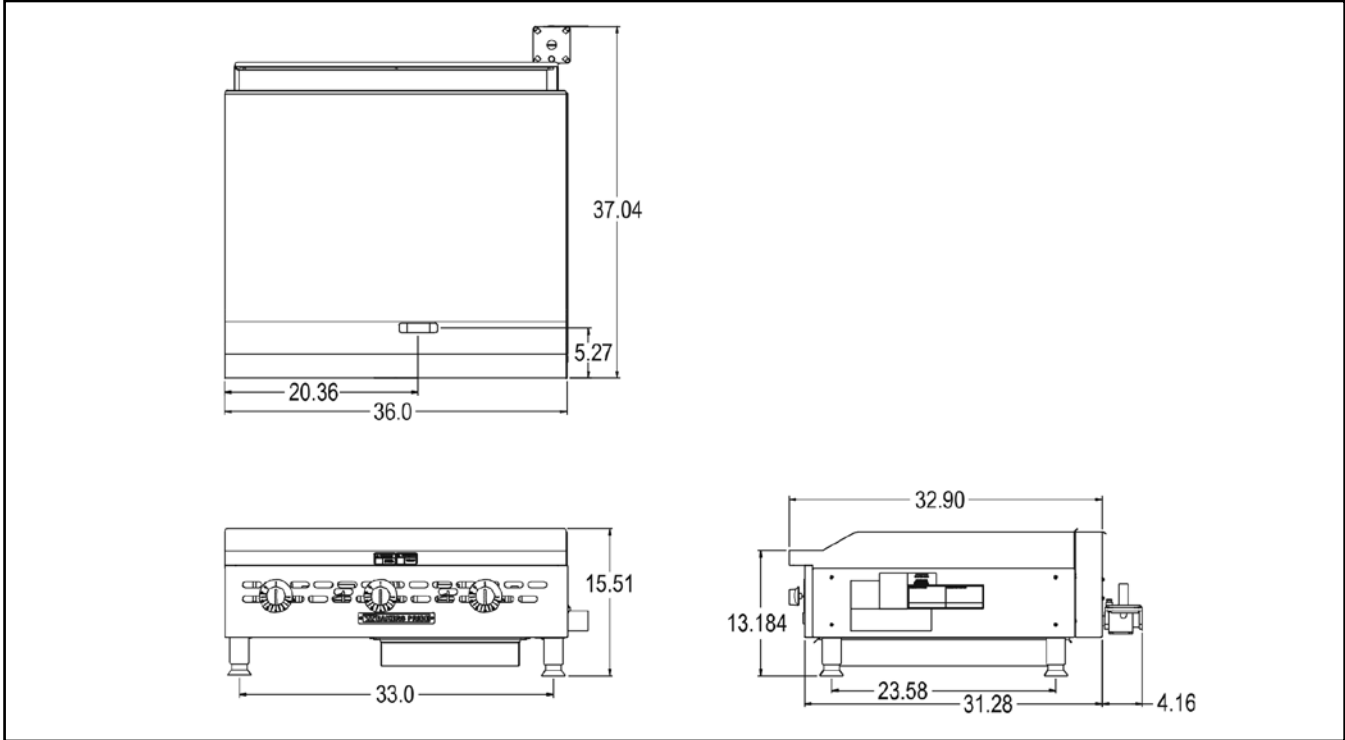
HEAVY DUTY GAS GRIDDLE: BPHTG-2424i



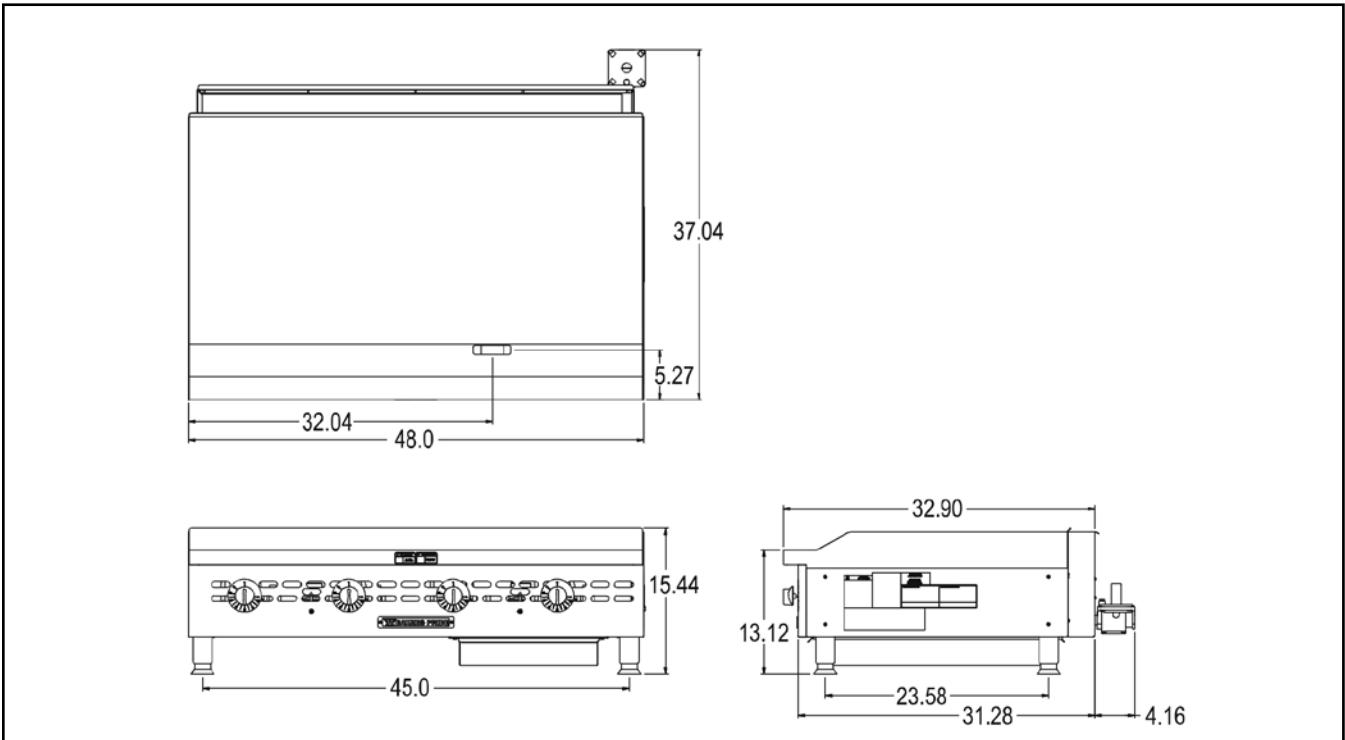


MANUAL HEAVY DUTY GAS GRIDDLE OPERATION MANUAL

HEAVY DUTY GAS GRIDDLE: BPHTG-2436i

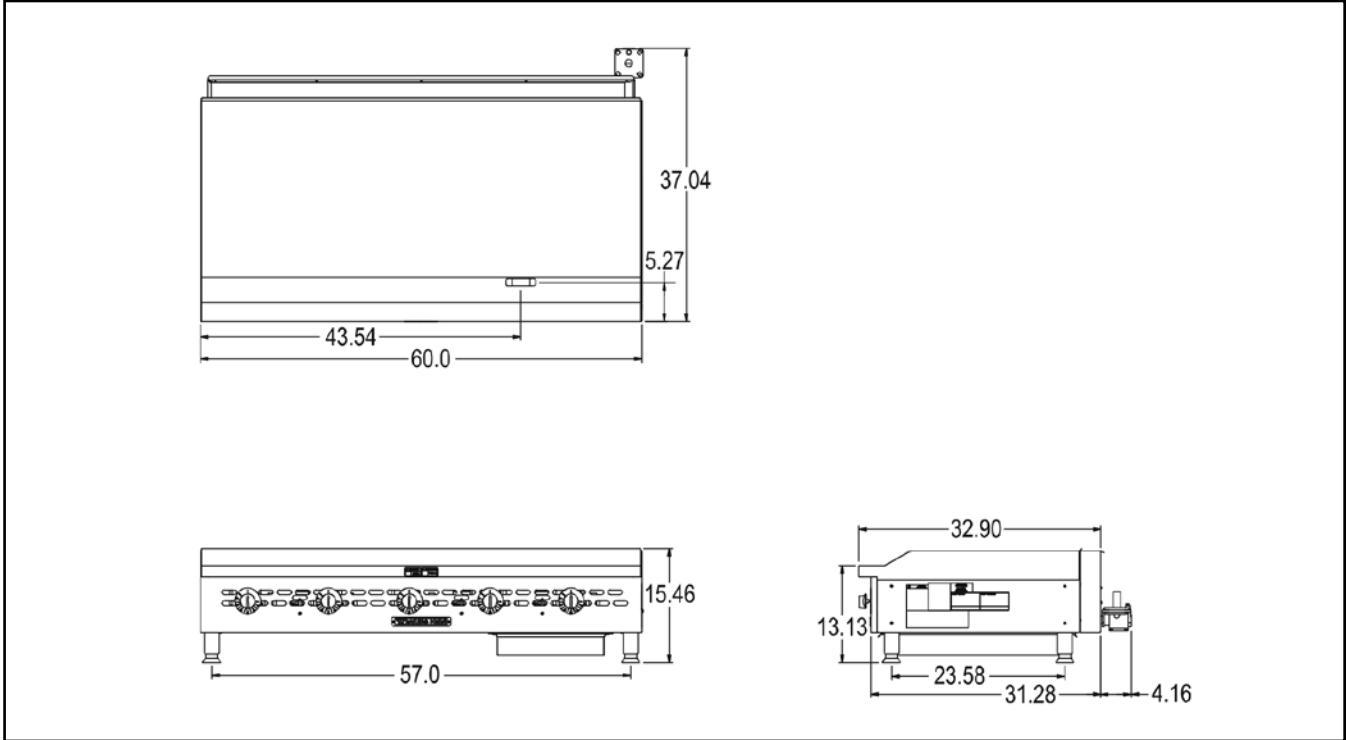


HEAVY DUTY GAS GRIDDLE: BPHTG-2448i

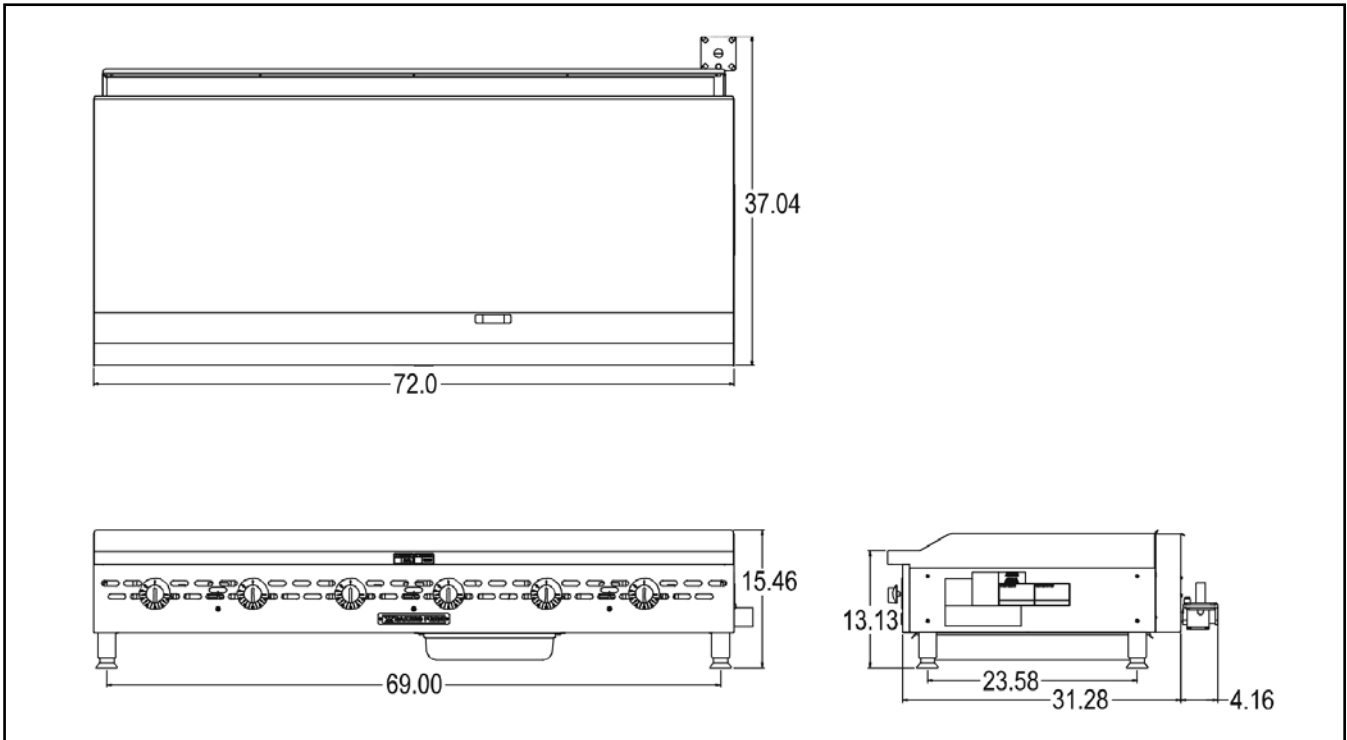




HEAVY DUTY GAS GRIDDLE: BPHTG-2460i

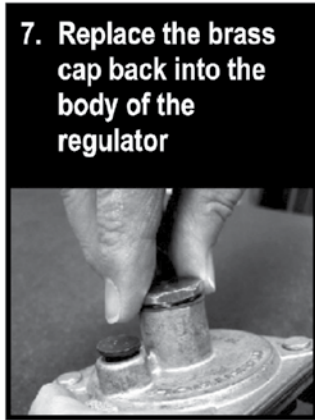


HEAVY DUTY GAS GRIDDLE: BPHTG-2472i



CONVERSION

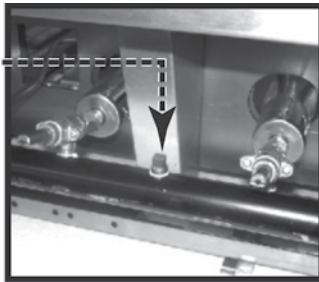
- Instructions are for conversion from Natural Gas to Propane (L.P.) on all models HDTG.
- The conversion should be done before connecting the unit to the gas supply.
- Units are shipped from the factory equipped for use on natural gas. Orifices necessary for L.P. (propane) are provided in a bag tied to the valve on the front panel.
 1. Remove the knobs and front panel.
 2. Remove the orifice fittings from the valve. Change the orifices to the size recommended for propane (L.P.).
 3. Replace the orifice fittings into the valve.
- To change the regulator:



- Connect the regulator to the unit, connect gas and check for leaks.

⚠ WARNING
Do not use an open flame to check for leaks.

- Check the system pressure. With the front panel removed, remove the plug from the manifold.
- Place a fitting in the plug opening and connect a manometer.



- For Natural gas the pressure in the manifold should be 5" water column or 12.4 millibar. For L.P. the pressure in the manifold should be 10" water column of 24.9 millibar.



CONVERSION

- To adjust the pressure remove the brass cap and turn the white plastic part inside the stem of the regulator. See picture regulator 7.
- Take a wide straight screw driver and place it in the two notches shown in picture regulator 7 turn clockwise to increase pressure and counter-clockwise to reduce pressure. See picture regulator 7.
- Once the pressure has been adjusted replace the brass cap.

NOTICE

Note the blue cap on the regulator. This is the vent. There are openings below the top rim. NEVER block these openings your regulator will fail to operate correctly. On at least a monthly basis blow off any dust or grease which may accumulate around this cap. The openings must remain open for the regulator to function. Clean more often in a very greasy atmosphere.

LIGHTING INSTRUCTIONS

HDTG Griddles are furnished with either a pilot safety valve or a standing pilot (not available in the European Community). Please follow the instructions for your unit.

Standing Pilot Lighting Instructions: (Not Available in the European Community)

The pilot lights on the broilers have been set at the factory. A screwdriver may be required for the first lighting to adjust the flame for your elevation.

1. Turn off the manual shut off valve and wait 5 minutes to clear the gas.
2. Turn all knobs to the "OFF" position.
3. The valve can be accessed through an opening in the front panel or remove the cooking grates and light the pilot from above.
4. Turn the manual shut off valve on.
5. Hold an ignition source (match) to both openings on the pilot tube. When the flames are established, remove the ignition source.
6. Turn the burner knobs to "HI". If the burner does not ignite, promptly open the pilot valve more. If the pilot flame appears larger than necessary, turn it down and reset burner ignition. The pilot flame should be as small as possible but large enough to guarantee reliable ignition of the burners when the knobs are turned to "HI".

Relighting Pilot

If the pilot light should go out for any reason:

- Promptly shut off all gas at the manual shut off valve.
- Turn off all knobs and pilot valves; wait 5 minutes to clear gas.
- Relight following steps 4 through 6 under Standing Pilot Lighting Instructions.

HDTG Pilot Safety Valve Lighting Instructions

1. Turn on main gas supply to unit, on-off valve located behind the unit (not supplied with unit).
2. Turn the burner control knobs to "OFF" position. Wait at least 5 minutes to allow any gas which may have accumulated in the firebox compartment to escape.
3. Through the hole in the front panel, press red button on the pilot safety valve and light through observation hole in firebox. Keep red button on pilot safety depressed for at least 1 minute after pilot has lit. If pilot does not light, repeat this step.
4. To adjust the pilot flame, rotate knob next to the red button. Turning the knob clockwise increases the pilot flame. A properly sized pilot should be 1/2" to 3/4" long (12/19 mm).



LIGHTING INSTRUCTIONS

HDTG Lighting The Main Burner:

- Turn the thermostat to the desired temperature.

Main burner air supply:

1. For efficient burner operation, a proper balance of gas volume and primary air supply must be maintained which will result in complete combustion. Insufficient air supply results in a yellow streaming flame. Primary air supply is controlled by an air shutter on the front of the burner.
2. Loosen the screws on the front of the burner and adjust the air shutter to just eliminate the yellow tips of the burner flame. Lock the air shutter in place by tightening the screws.

European Community:

If adjustment becomes necessary in the field, it should be done by a factory authorized and trained technician who should seal the screw after the adjustment to safeguard against un-authorized tampering by the end user.

All burners are lit from constantly burning pilots. Turning the valve to the desired flame height is all that is required to put the unit in service.

Do not permit fans to blow directly at the unit. Wherever possible, avoid open windows next to the units' sides or back. Avoid wall type fans which create air cross-currents within a room.

It is also necessary that sufficient air should be allowed to enter the room to compensate for the amount of air removed by any ventilating system. Otherwise, a subnormal atmospheric pressure will occur, affecting operation and causing undesirable working conditions.

A properly designed and installed hood will act as the heart of the ventilating system for the room or area in which the unit is installed, and will leave the unit independent of changing draft conditions.

All valves must be checked and lubricated periodically. This must be done by an authorized service representative in your area.



OPERATING INSTRUCTIONS

Season Griddle:

Heat to low temperature (300 - 350 F/150-180C) and pour on a small amount of cooking oil, about one ounce (30cc) per square foot of surface. Spread the oil over the entire griddle surface with a cloth to create a thin film. Wipe off any excess oil with a cloth. Repeat this procedure 2 to 3 times until the griddle has a slick, mirror-like surface.

Operation

Turn the burners on about 15-20 minutes before cooking for preheating. Set the knobs to the desired flame height (HDTG). Each valve will control the gas flow to the burner to bring that area of the plate up to the set temperature. If different temperature settings are to be used, adjoining areas should be set at progressively higher temperatures using the lowest temperatures on the outside burners. A uniform and systematic approach to the loading of the griddle will produce the most consistent product results.

CAUTION

Do not turn on gas valves without lighting pilots. This could cause a build up of gas and potential explosion.

NOTICE

Due to heat transfer thru the griddle plate, adjoining zones can be no more than 25° different.

CLEANING / MAINTENANCE

Initial Cleaning:

Prior to operating your new griddle, thoroughly wash the griddle surface and the exterior with a mild detergent or soap solution. Do not use abrasive cleaners since this might damage the cabinet finish. If the stainless steel surfaces become discolored, scrub by rubbing only in the direction of the finished grain.

Cleaning:

1. Always turn unit off and allow it to cool completely before cleaning. Clean thoroughly before first use.
2. After each use, clean the griddle with wire brush or flexible spatula.
3. Once a day, thoroughly clean splash back, sides and front. Remove the grease drawer, empty it and wash it out.
4. Once a week, clean the griddle surface thoroughly. If necessary, use a griddle stone, wire brush or steel wool on the surface. Rub with the grain of the metal while the griddle is still warm. A detergent may be used on the plate surface to help clean it; but, care must be taken to be sure the detergent is thoroughly removed. After removal of the detergent, the surface

of the plate should then be covered with a thin film of oil to prevent rusting. Clean stainless surfaces with a damp cloth and polish with a soft dry cloth. To remove discoloration, use a nonabrasive cleaner. After each “weekly” cleaning, the griddle must be seasoned again. If the griddle usage is very high, the “weekly” cleaning procedures may be done more often than once a week.

Extended Shutdown:

Turn the manual shutoff valve to “OFF”; (field installed valve not supplied by the manufacturer); turn all control knobs to the “OFF” position; and shut off the pilot flame by turning the adjustment on the pilot valve.

NOTICE

Gas shutoff valve is supplied by the manufacturer on CE or European Community models.

If the griddle is to be shut down for an extended period, put a heavy coat of grease over the griddle plate.



MANUAL HEAVY DUTY GAS GRIDDLE OPERATION MANUAL

SERVICE / REPAIR

NOTICE

This appliance must only be serviced by an authorized agent.

NOTICE

Parts protected by the manufacturer or his agent are not to be adjusted by the installer, unless the installer is an authorized service agent.

If you have any questions or problems contact your nearest Bakers Pride Service Representative.

TROUBLESHOOTING GUIDE

PROBLEM	POSSIBLE CAUSE
Heat does not come on when thermostat is turned on.	Thermostat is bad.
	Pilot burner not lit.
	Gas valve is bad.
Pilot burner will not light.	Obstructed pilot orifice.
	Pilot gas turned off at automatic pilot.
	Automatic pilot valve is bad.
Pilot burner will not stay lit.	Thermocouple is bad.
	Thermocouple is not hot enough.
	Obstructed or wrong size pilot orifice.
	Gas supply is not purged of air.
	Air is blowing pilot light out.
Fat appears to smoke excessively.	Automatic pilot valve is bad.
	Heat is set too high.
Food sticks to griddle.	Moisture in the food may be turning into steam.
	Heat is set too high.
	Griddle surface needs cleaning and/or seasoning.
Food burned around edges or contains dark specks.	Surface under food may not have been covered with enough cooking oil.
	Heat is set too high.
	Griddle surface needs cleaning and/or seasoning.
Food is undercooked inside.	Surface under food may not have been covered with enough cooking oil.
	Heat is set too high.
	Food may not have been cooked for long enough time.
Food tastes greasy or has objectionable off-flavor.	Food itself may have off flavor.
	Food may have been stored improperly before cooking.
	Too much griddle fat used.
	Heat is set too low.
Noticeable build-up of gum on griddle.	Heat is set too high.
	Griddle surface needs cleaning and/or seasoning.
	Too much griddle fat used.

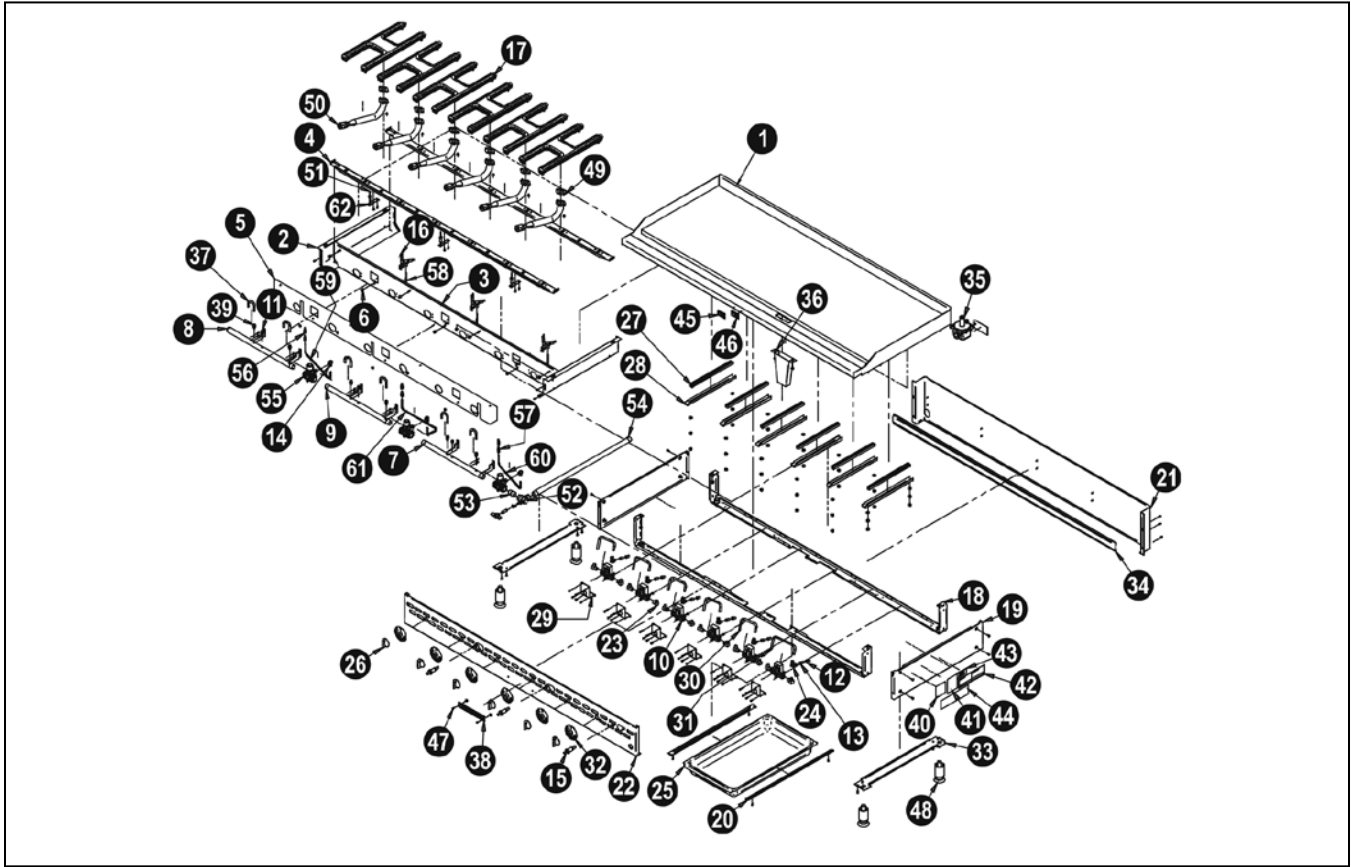


MANUAL HEAVY DUTY GAS GRIDDLE OPERATION MANUAL

PARTS LIST – BPHTG GRIDDLES (DOMESTIC)

Item	P/N	Description	BPHTG-2424i	BPHTG-2436i	BPHTG-2448i	BPHTG-2460i	BPHTG-2472i
6	21813085	Spacer	4	4	5	5	6
7	21831225	Manifold, 24"	1				
	21831325	Manifold, 36"		1			
	21831525	Manifold, 48"			1		
	21832925	Manifold, 60"				1	
	21833025	Manifold, 72"					1
8	2067700	Thermostat, Gas Snap Action	2	3	4	5	6
9	2092517	Plug, 1/8 NPTM	1	1	1	1	1
10	2066834	Hood, Orifice #34	2	3	4	5	6
11	2066851	Hood, Orifice #51	2	3	4	5	6
12	2068002	Valve, Pilot 90°	1	2	2	3	3
13	21825113	Bracket, Pilot	1	2	2	3	3
14	21830712	Burner, Pilot	1	2	2	3	3
15	2065846	Burner Cast H	2	3	4	5	6
16	21825053	Support, Leg 24"	2				
	21825153	Support, Leg 36"		2			
	21825253	Support, Leg 48"			2		
	21825353	Support, Leg 60"				2	
	21825453	Support, Leg 72"					2
17	21826053	Panel, Right & Left Side	2	2	2	2	2
18	21825011	Guide, Grease Slide	2	2	2	2	2
19	21831232	Panel Back 24"	1				
	21826652	Panel, Back 36"		1			
	21826752	Panel, Back 48"			1		
	21826332	Panel, Back 60"				1	
	21826932	Panel, Back 72"					1
20	21831219	Panel, Control 24"	1				
	21831319	Panel, Control 36"		1			
	21831519	Panel, Control 48"			1		
	21832919	Panel, Control 60"				1	
	21833019	Panel, Control 72"					1
21	2092506	Elbow, 3/8c x 3/8NPT Male	4	6	8	10	12
22	2092614	Elbow, 3/8c x 3/8-27 Brass	2	3	4	5	6
23	2425310	Pan, Grease 24"	1	1	1	1	1
24	8706405	Knob, Metal Cookline .272 D Shaft	2	3	4	5	6
25	1018064	Insulation, Thermostat Bulb	2	3	4	5	6
26	21723090	Cover, Thermostat Bulb	2	3	4	5	6
27	21831311	Mount, T'Stat Hdtg	2	3	4	5	6
28	21831346	Tube, Manifold/Orifice Short	2	3	4	5	6
	8834910	Decal, Dial Plate Thermostat Griddles	2	3	4	5	6
	21825031	Brace, Leg	2	2	2	2	2
	21826134	Channel, Stiffener	NA	1			
	29	21826234	Channel, Stiffener			1	
30	21826334	Channel, Stiffener				1	
31	21826434	Channel, Stiffener					1
32	2067600	Regulator, 5" WC. & 1 0" WC.	1	1	1	1	1
33	21825012	Side, Grease Chute	2	2	2	2	2
34	21831347	Tube, Manifold/T'stat	2	3	4	5	6
35	8808900	Nameplate, 8" Bakers Pride	1	1	1	1	1
36	2092624	Fitting, 3/8c x 1/8 NPT Male Straight	2	3	4	5	6
37	8861000	Label, Spec	1	1	1	1	1
38	8809920	Decal, Improper Installation	1	1	1	1	1
39	8837134	Label, Orifice Size	1	1	1	1	1
40	8825300	Decal, Leg	1	1	1	1	1
41	8837130	Decal, Operating Instructions	1	1	1	1	1
42	43813103	Label, Hot Surface	1	1	1	1	1
43	43813149	Label, Hot Surface (French)	1	1	1	1	1
44	8839010	Inst/Op Manual (N/S)	1	1	1	1	1
45	8633700	Leg, 2" Dia. Hvy Dty	4	4	4	4	4
46	2065916	Gasket, Burner	2	3	4	5	6
47	2065849	Venturi, Hvy Dty BP Griddles	2	3	4	5	6

EXPLODED VIEW – BPHTG GRIDDLES (CE)



PARTS LIST – BPHTG GRIDDLES (CE)

Item	P/N	Description	BPHTG-2424i	BPHTG-2436i	BPHTG-2448i	BPHTG-2460i	BPHTG-2472i
1	22231254	Weldm't, Griddle Plate 2424i	1				
	22231374	Weldm't, Griddle Plate 2436i		1			
	22231494	Weldm't, Griddle Plate 2448i			1		
	22231614	Weldm't, Griddle Plate 2460i				1	
	22231734	Weldm't, Griddle Plate 2472i					1
2	21826433	Side, Firebox	2	2	2	2	2
3	21831222	Body, 24" Firebox	1				
	21831322	Body, 36" Firebox		1			
	21826722	Body, 48" Firebox			1		
	21826822	Body, 60" Firebox				1	
	21826922	Body, 72" Firebox					1
4	21826017	Support, Burner	2				
	21826117	Support, Burner		2			
	21826217	Support, Burner			2		
	21826317	Support, Burner				2	
	21826417	Support, Burner					2
5	21826027	Baffle, Front Heat	1				
	21826127	Baffle, Front Heat		1			
	21826227	Baffle, Front Heat			1		
	21826327	Baffle, Front Heat				1	
	21826427	Baffle, Front Heat					1
6	21813085	Spacer	4	4	5	5	6



MANUAL HEAVY DUTY GAS GRIDDLE OPERATION MANUAL

PARTS LIST – BPHTG GRIDDLES (CE)

Item	P/N	Description	BPHTG-2424i	BPHTG-2436i	BPHTG-2448i	BPHTG-2460i	BPHTG-2472i
7	21831235	Manifold, 24" CE	1				
	21826961	Manifold, 36" CE		1			
	21831535	Manifold, 48" CE			1		
	21832935	Manifold, 60" CE				1	
	21826963	Manifold, 72" CE					1
8	21826635	Manifold, 36" CE		1			
	21831536	Manifold, 48" CE			1	1	1
9	21826962	Manifold, 60" CE				1	1
10	2067700	Thermostat, Gas Snap Action	2	3	4	5	6
11	2092517	Plug, 1/8 NPTM	1	2	2	3	3
12	2066834	Hood, Orifice #34	2	3	4	5	6
13	2066851	Hood, Orifice #51	2	3	4	5	6
14	2068001	Valve, Pilot 90°	1	2	2	3	3
15	2065854	Ignitor	1	2	2	3	3
16	21831275	Weldm't, Pilot	1	2	2	3	3
17	2065846	Burner, Cast H	2	3	4	5	6
18	22400010	Support, Leg 24"	2				
	22400015	Support, Leg 36"		2			
	22400020	Support, Leg 48"			2		
	22400025	Support, Leg 60"				2	
	22400030	Support, Leg 72"					2
19	21826053	Panel, Right & Left Side	2	2	2	2	2
20	21825011	Guide, Grease Slide	2	2	2	2	2
21	21831232	Panel, Back 24"	1				
	21826652	Panel, Back 36"		1			
	21826752	Panel, Back 48"			1		
	21826332	Panel, Back 60"				1	
	21826932	Panel, Back 72"					1
22	21831219	Panel, Control 24"	1				
	21831319	Panel, Control 36"		1			
	21831519	Panel, Control 48"			1		
	21832919	Panel, Control 60"				1	
	21833019	Panel, Control 72"					1
23	2092506	Elbow, 3/8c x 3/8NPT Male	4	6	8	10	12
24	2092614	Elbow, 3/8c x 3/8-27 Brass	2	3	4	5	6
25	2425310	Pan Grease 24"	1	1	1	1	1
26	8706405	Knob, Metal Cookline .272 D Shaft	2	3	4	5	6
27	1018064	Insulation, Thermostat Bulb	2	3	4	5	6
28	21723090	Cover, Thermostat Bulb	2	3	4	5	6
29	21831311	Mount, Tstat Hdtg	2	3	4	5	6
30	21831346	Tube, Manifold/Orifice Short	1	2	3	4	5
	21831246	Tube, Manifold/Orifice Long	1	NA	NA	NA	NA
31	21831348	Tube, Manifold/Orifice Long	NA	1	1	1	1
32	8834910	Decal, Dial Plate- T'Static Griddles	2	3	4	5	6
33	22400003	Brace, Leg	2	2	2	2	2
34	21826134	Channel, Stiffener	NA	1			
	21826234	Channel, Stiffener			1		
	21826334	Channel, Stiffener				1	
	21826434	Channel, Stiffener					1
35	2067600	Regulator, 5" W.C. & 10" W.C.	1	1	1	1	1
36	21825012	Side, Grease Chute	2	2	2	2	2
37	21831347	Tube, Manifold/T'stat	2	3	4	5	6
38	8808900	Nameplate, 8" Bakers Pride	1	1	1	1	1
39	2092624	Fitting, 3/8cx 1/8 NPT Male Straight	2	3	4	5	6
40	8861000	Label, Spec	1	1	1	1	1
41	8809920	Decal, Improper Installation	1	1	1	1	1
42	8837134	Label, Orifice Size	1	1	1	1	1
43	8825300	Decal, Leg	1	1	1	1	1
44	8837130	Decal, Operating Instructions	1	1	1	1	1
45	43813103	Label, Hot Surface	1	1	1	1	1
46	43813149	Label, Hot Surface (French)	1	1	1	1	1
47	8839010	Inst/Op Manual (N/S)	1	1	1	1	1
48	8633700	Leg, 2" Dia. Hvy Dty	4	4	4	4	4
49	2065916	Gasket, Burner	2	3	4	5	6
50	2065849	Venturi, Hvy Dty BP Griddles	2	3	4	5	6



Thermostatic Heavy Duty Gas Griddle Operation Manual

Bakers Pride Limited Warranty

WHAT IS COVERED	<p>This warranty covers defects in material and workmanship under normal use, and applies only to the original purchaser providing that:</p> <ul style="list-style-type: none">• The equipment has not been accidentally or intentionally damaged, altered or misused;• The equipment is properly installed, adjusted, operated and maintained in accordance with National and local codes and in accordance with the installation instruction provided with the product;• The serial number rating plate affixed to the equipment has not been defaced or removed.
WHO IS COVERED	<p>This warranty is extended to the original purchaser and applies only to equipment purchased for use in the U.S.A.</p>
COVERAGE PERIOD	<p>Cyclone Convection Ovens: BCO Models: One (1) Year limited parts and labor; (1) Year limited door warranty. GDCO Models: Two (2) Year limited parts and labor; (2) Year limited door warranty. CO11 Models: Two (2) Year limited parts and labor; (5) Year limited door warranty. All Other Products: One (1) Year limited parts and labor. Warranty period begins the date of dealer invoice to customer or ninety (90) days after shipment date from Bakers Pride - whichever comes first.</p>
WARRANTY	<p>This warranty covers on-site labor, parts and reasonable travel time and travel expenses of the authorized service</p>
COVERAGE	<p>representative up to (100) miles, round trip, and (2) hours travel time. The purchaser, however, shall be responsible for all expenses related to travel, including time, mileage and shipping expenses on smaller counter models that may be carried into a Factory Authorized Service Center, including the following models: PX-14, PX-16, P18, P22S, P24S, PD-4, PDC, WS Series and BK-18.</p>
EXCEPTIONS	<p>All removable parts in Bakers Pride® cooking equipment, including but not limited to: Burners, Grates, Radiants, Stones and Valves, are covered for a period of SIX MONTHS. All Ceramic Baking Decks are covered for a period of THREE MONTHS. The installation of these replacement decks is the responsibility of the purchaser. The extended Cyclone door warranty years 3 through 5 is a parts only warranty and does not include labor, travel, mileage or any other charges.</p>
EXCLUSIONS	<ul style="list-style-type: none">• Negligence or acts of God,• Failures caused by erratic voltages or gas supplies,• Thermostat calibrations after (30) days from equipment installation date,• Unauthorized repair by anyone other than a Bakers Pride Factory Authorized Service Center,• Air and Gas adjustments,• Damage in shipment,• Light bulbs,• Alteration, misuse or improper installation,• Glass doors and door adjustments,• Thermostats and safety valves with broken capillary tubes,• Fuses,• Char-broiler work decks and cutting boards,• Tightening of conveyor chains,• Adjustments to burner flames and cleaning of pilot burners,• Tightening of screws or fasteners,• Accessories — spatulas, forks, steak turners, grate lifters, oven brushes, scrapers, peels. etc.,• Freight — other than normal UPS charges,• Ordinary wear and tear.
INSTALLATION	<p>Leveling and installation of decks as well as proper installation and check out of all new equipment —per appropriate installation and use materials — is the responsibility of the dealer or installer, not the manufacturer.</p>
REPLACEMENT PARTS	<p>Bakers Pride genuine Factory OEM parts receive a (90) day materials warranty effective from the date of installation by a Bakers Pride Factory Authorized Service Center.</p>

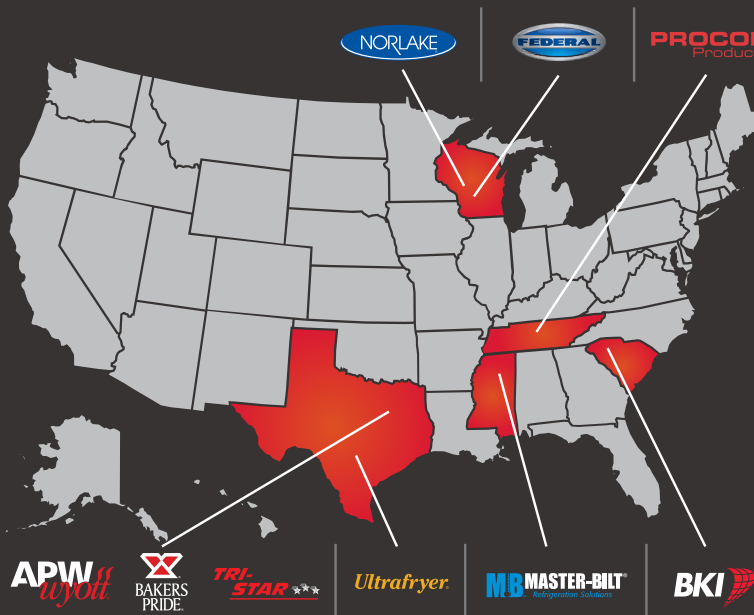
This Warranty is in lieu of all other warranties, expressed or implied, and all other obligations or liabilities on the manufacturer's part. Bakers Pride shall in no event be liable for any special, indirect or consequential damages, or in any event for damages in excess of the purchase price of the unit. The repair or replacement of proven defective parts shall constitute a fulfillment of all obligations under the terms of this warranty.

Standex

Food Service Equipment Group

The Standex Food Service Equipment Group (FSEG) is a manufacturer of innovative commercial food service equipment offering a wealth of refrigeration and cooking expertise. Products include walk-in coolers and freezers; hot and cold display cabinets, cases, and storage systems; commercial ovens, rotisseries, and cooking equipment; and rotary vane pumps.

Ask your sales representative about how the power of all Standex brands can work for you.
www.standex.com/segments/food-service



Be sure to keep up with new product announcements and events on social media!

