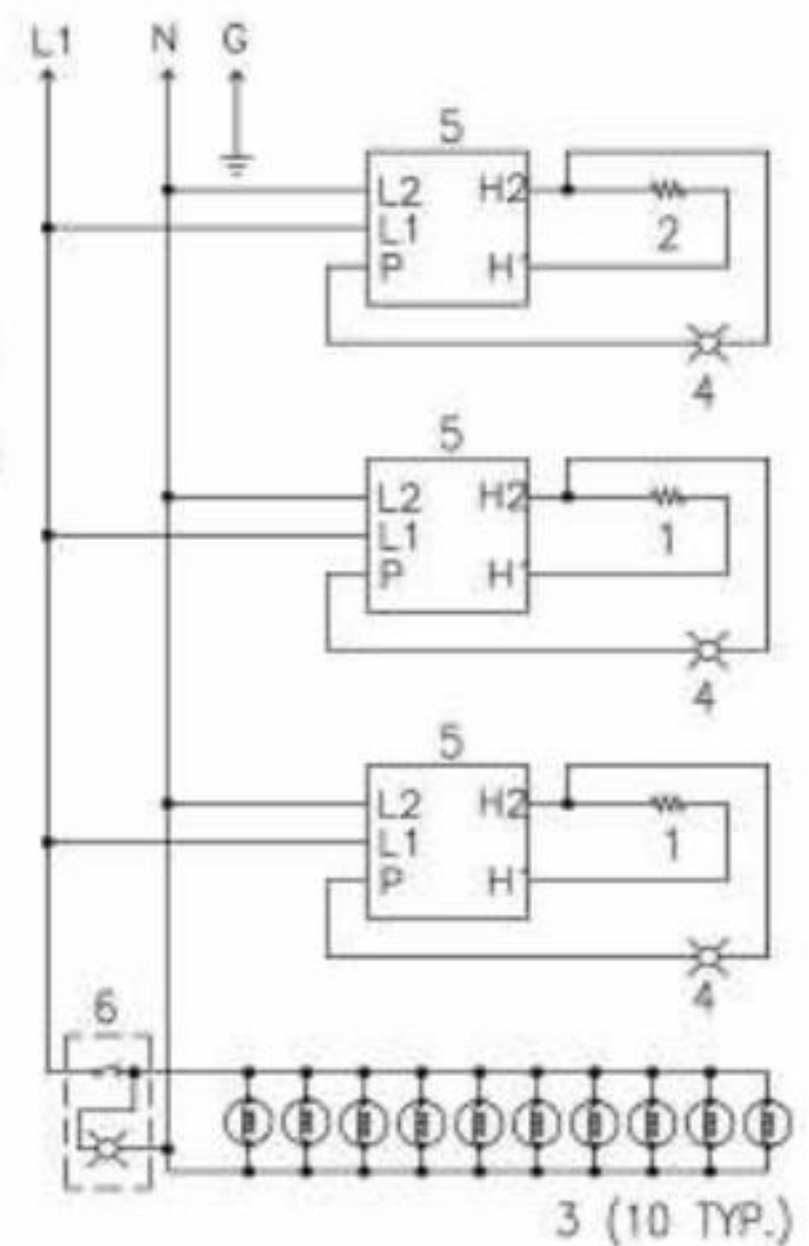


- 1- CALROD 640W 240V (C0302)
538W@220V
- 2- CALROD 800W 240V (C0301)
672W@220V
- 3- LIGHT BULB 40W (B0553)
- 4- PILOT LIGHT (PL0003)
- 5- INFINITE SWITCH (S0141)
- 6- ROCKER SWITCH (S0102)
- 7- CORD SET (CS0023)



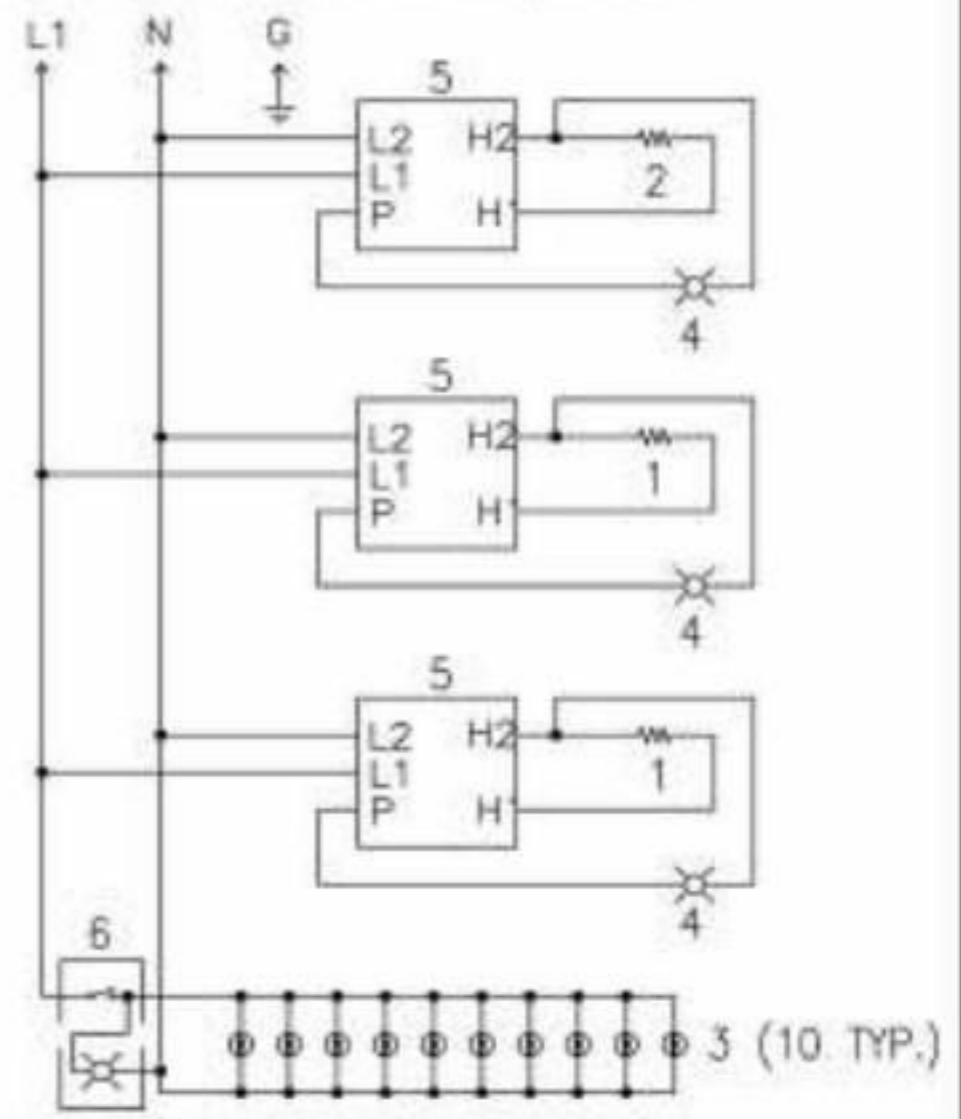
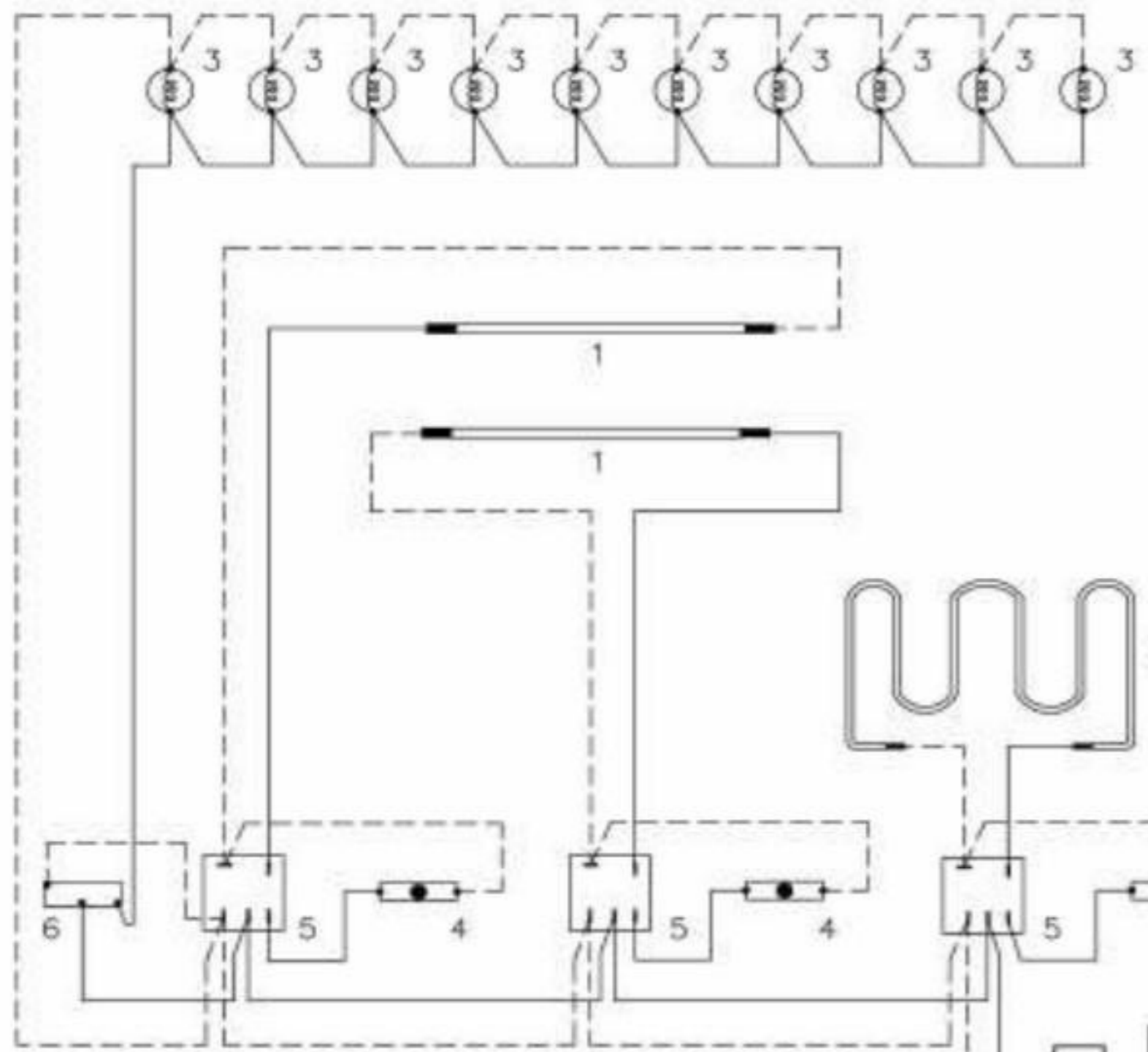
----- GREEN (GND)
 ----- BLUE (NEUT)
 ----- BROWN (L1)

BKI

REV. No.	TYPE SIZE	DRAWING No.
	S A	TWDE1006

MODEL No.	VOLTAGE	PHASE	No. OF WIRES	AMPS.	KILOWATTS	BREAKER SIZE	APPROVED BY
TWD-3	220	1	2	7.3	1.6	15	ADM 11/2/99

CONNECT L1 TO 220-240VAC, 50HZ



1. CALROD 640W (C0302)
2. CALROD 800W-230V (C0301)
3. LIGHT BULB 40W (BD553)
4. PILOT LIGHT (PL0003)
5. INFINITE SWITCH (S0141)
6. ROCKER SWITCH (S0102)
7. CORD SET (CS0023)

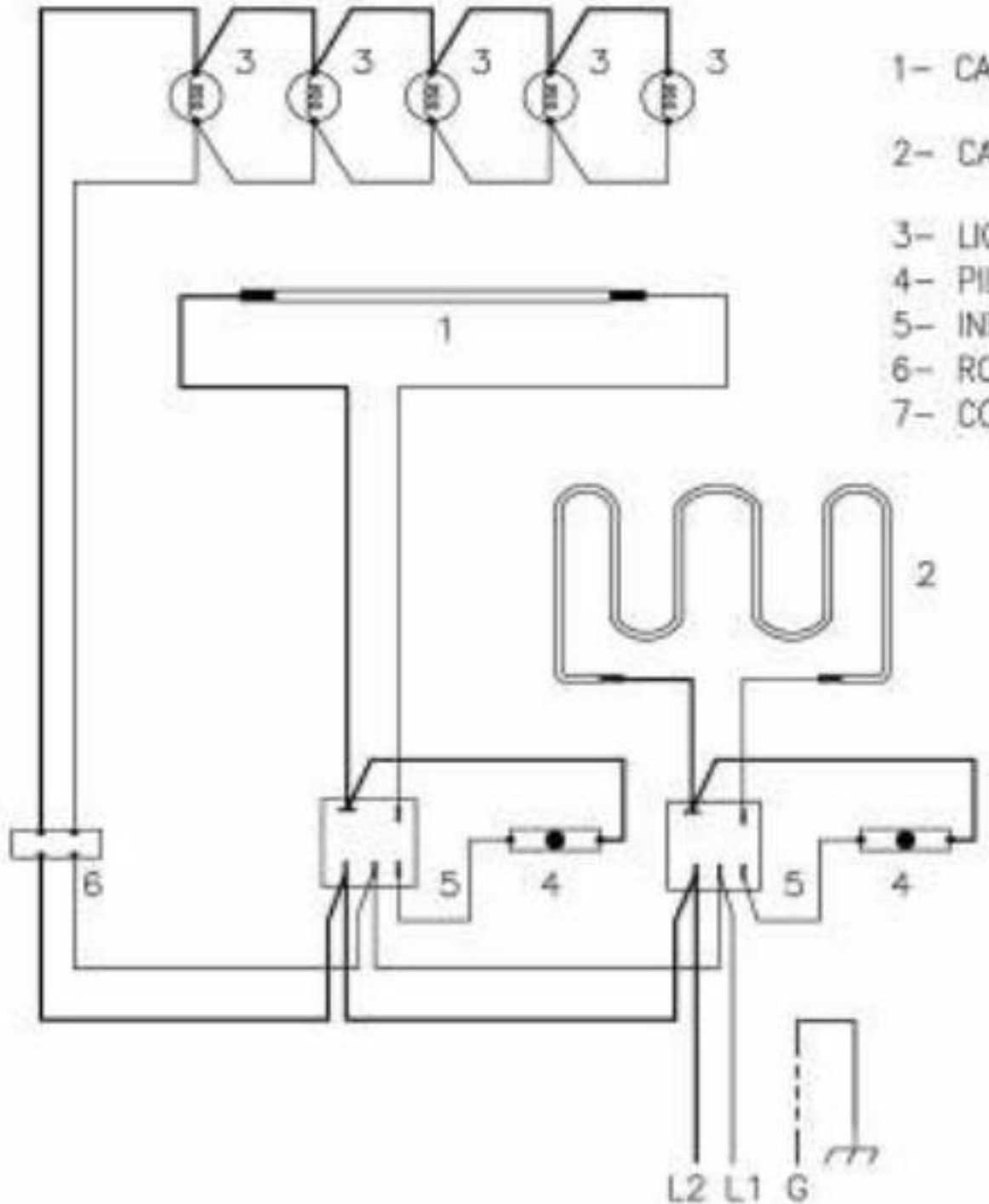
- - - - - WHITE (NEUT.)
 = = = = = GREEN (GND)
 = = = = = BLACK (L1)

N L1 G

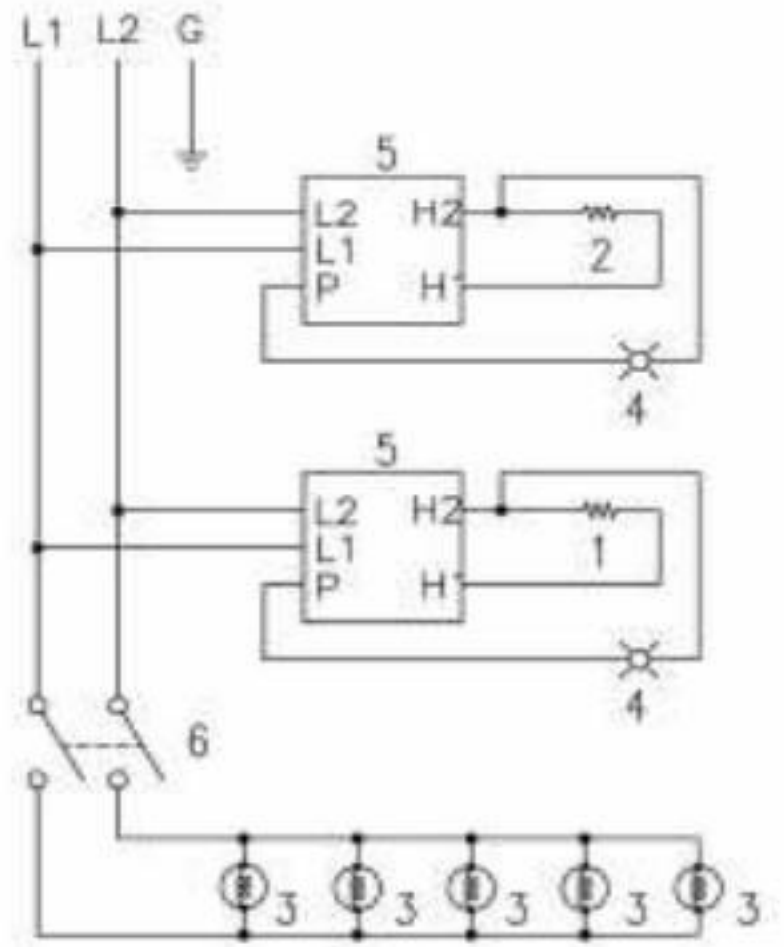


REV. No.	TYPE SIZE	DRAWING No.
ECO 146-01	S, A	TWDE1004

MODEL No. TWD-3	VOLTAGE 220-240V Δ	PHASE 1	No. OF WIRES 2	AMPS. 11.4	KILOWATTS 2.5	BREAKER SIZE 20	APPROVED BY MGW 11/15/95
--------------------	------------------------------	------------	-------------------	---------------	------------------	--------------------	-----------------------------



- 1- CALROD 640W 240V (C0302)
538W@220V
- 2- CALROD 800W 240V (C0301)
672W@220V
- 3- LIGHT BULB 40W (80553)
- 4- PILOT LIGHT (PL0003)
- 5- INFINITE SWITCH (S0141)
- 6- ROCKER SWITCH (S0103)
- 7- CORD SET (CS0023)



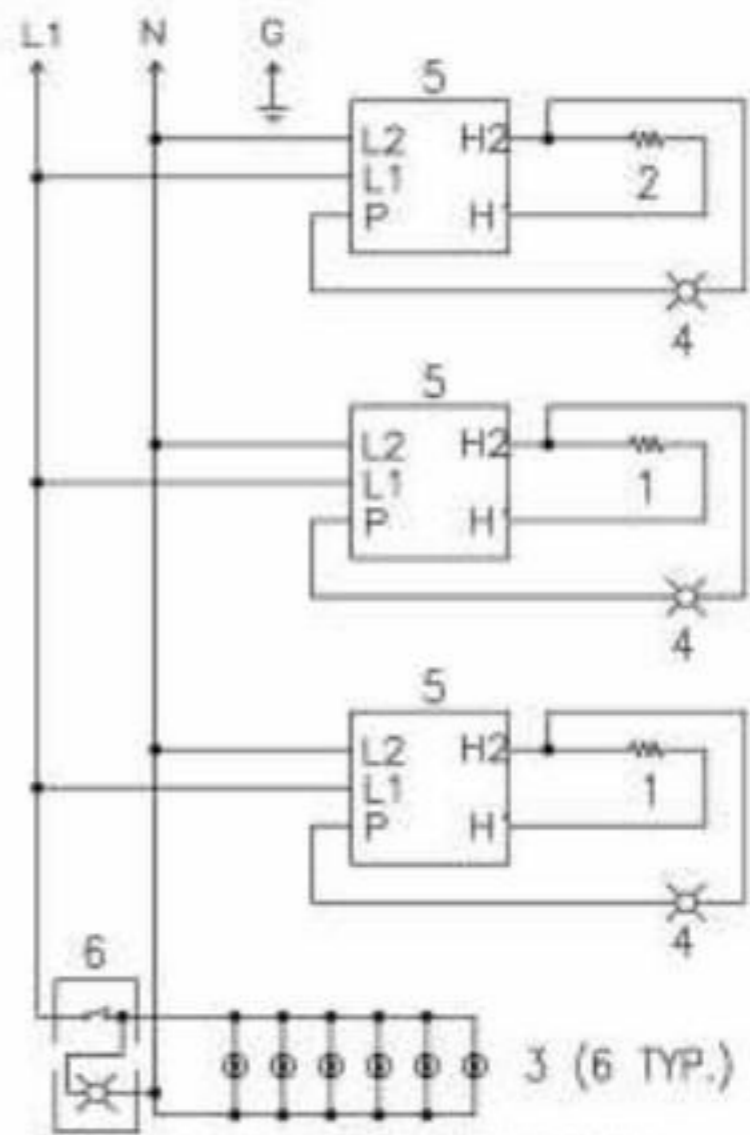
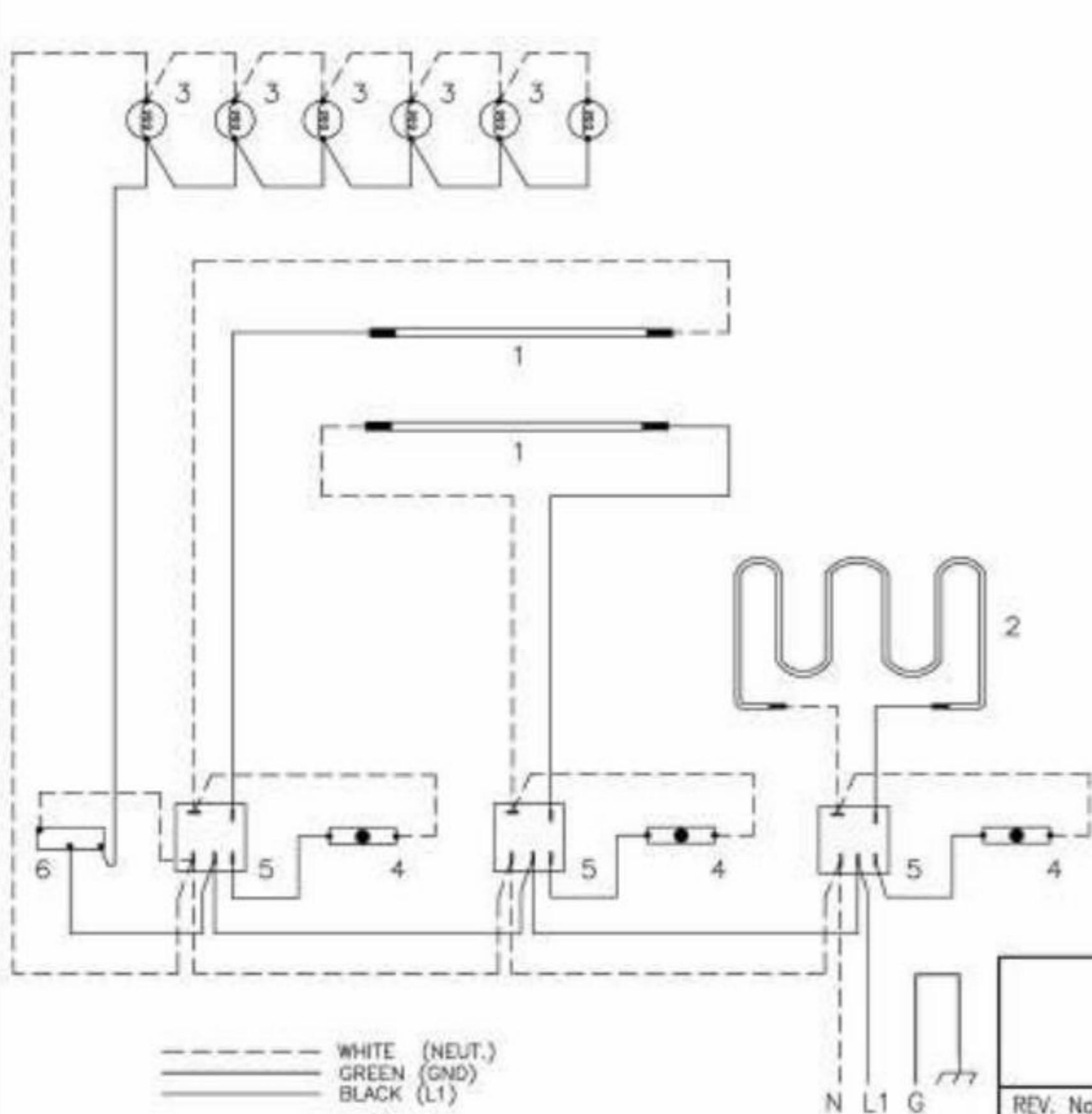
----- GREEN (GND)
 _____ BLACK (L1)
 _____ RED (L2)

MODEL No. TW-3	VOLTAGE 220	PHASE 1	No. OF WIRES 2	AMPS. 6.41	KILOWATTS 1.41	BREAKER SIZE 15	APPROVED BY ADM 12/6/99
MODEL No. TW-3	VOLTAGE 240	PHASE 1	No. OF WIRES 2	AMPS. 6.83	KILOWATTS 1.64	BREAKER SIZE 15	APPROVED BY ADM 12/6/99



REV. No.	TYPE S	SIZE A	DRAWING No. TWE1005
----------	-----------	-----------	------------------------

VOLTAGE BETWEEN L1 AND NEUTRAL SHOULD BE 220-240V



- 1. CALROD 480W (C0300)
- 2. CALROD 600W-230V (C0299)
- 3. LIGHT BULB 40W (B0553)
- 4. PILOT LIGHT (PL0003)
- 5. INFINITE SWITCH (S0141)
- 6. ROCKER SWITCH (S0102)

- - - - - WHITE (NEUT.)
 = = = = = GREEN (GND)
 ———— BLACK (L1)

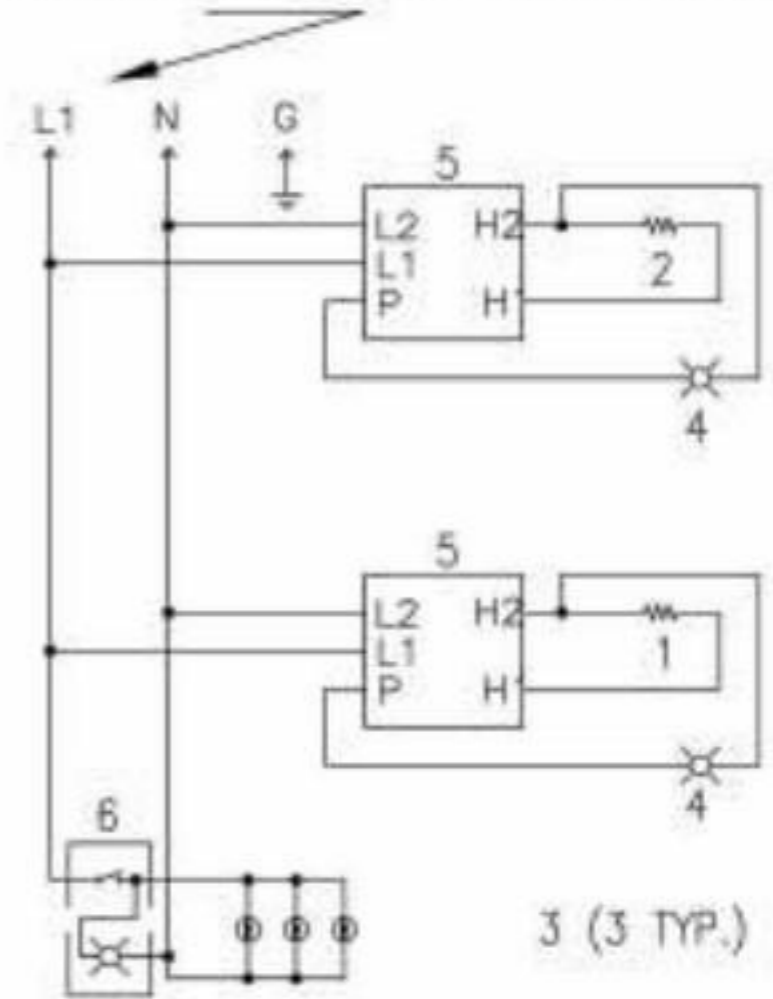
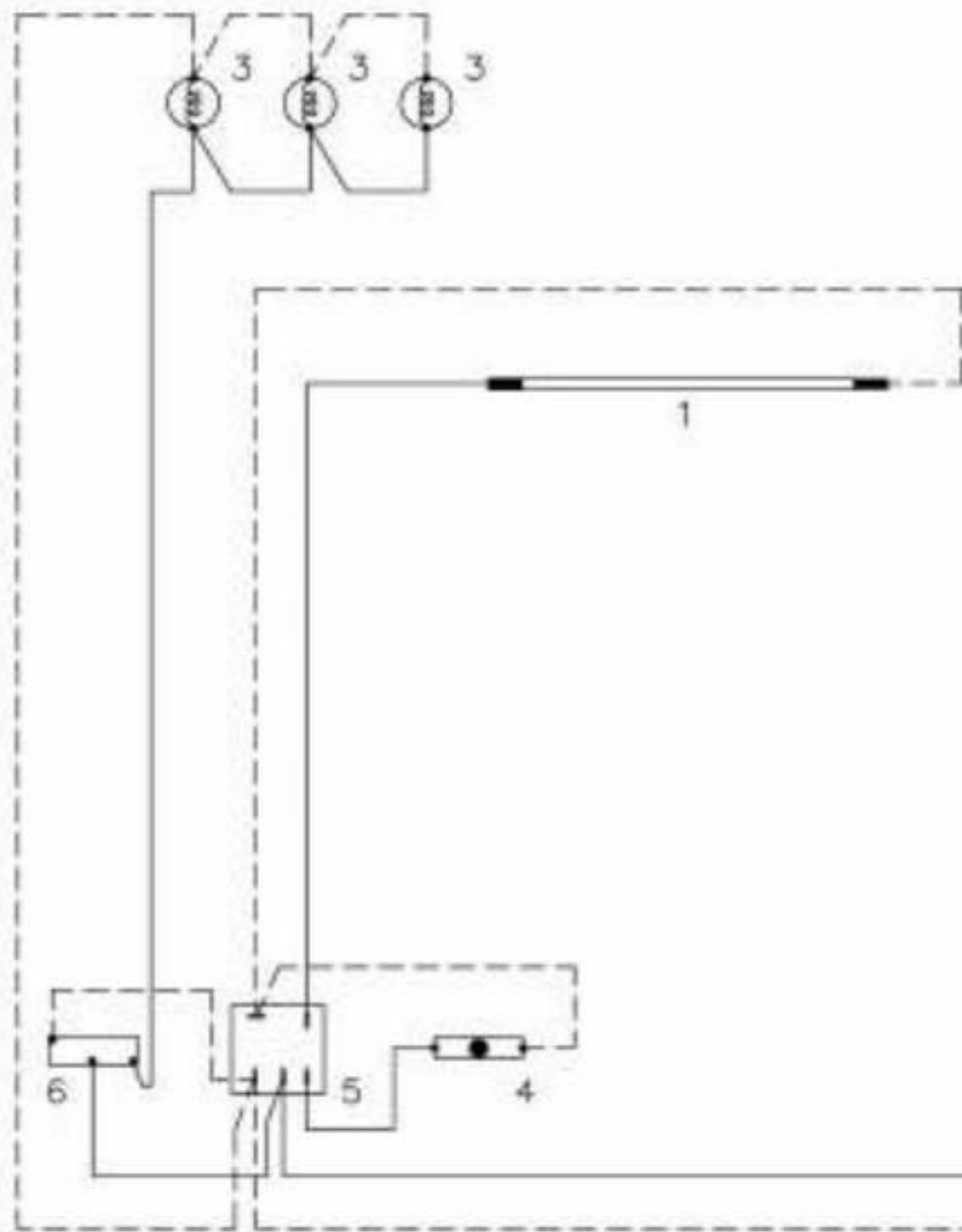
N L1 G



REV. No.	TYPE SIZE	DRAWING No.
#00-219 7/28/00	S A	TWDE1005

MODEL No. TW-2D	VOLTAGE 220-240/50Hz	PHASE 1	No. OF WIRES 2	AMPS. 8.2	KILOWATTS 1.8	BREAKER SIZE 15	APPROVED BY MGW 11/15/95
--------------------	-------------------------	------------	-------------------	--------------	------------------	--------------------	-----------------------------

VOLTAGE BETWEEN L1 AND NEUTRAL SHOULD BE 220-240V



1. CALROD 480W-240V (C0300)
2. CALROD 600W-230V (C0299)
3. LIGHT BULB 40W (B0553)
4. PILOT LIGHT (PL0003)
5. INFINITE SWITCH (S0141)
6. ROCKER SWITCH (S0102)

- - - - - WHITE (NEUT.)
 ——— GREEN (GND)
 ——— BLACK (L1)

N L1 G



REV. No. #00-219 7/28/00 TYPE | SIZE | DRAWING No. S | A | TWE1004

MODEL No.	VOLTAGE	PHASE	No. OF WIRES	AMPS.	KILOWATTS	BREAKER SIZE	APPROVED BY
TW-2	220-240/50Hz	1	2	5.5	1.2	15	MGW 2/19/97