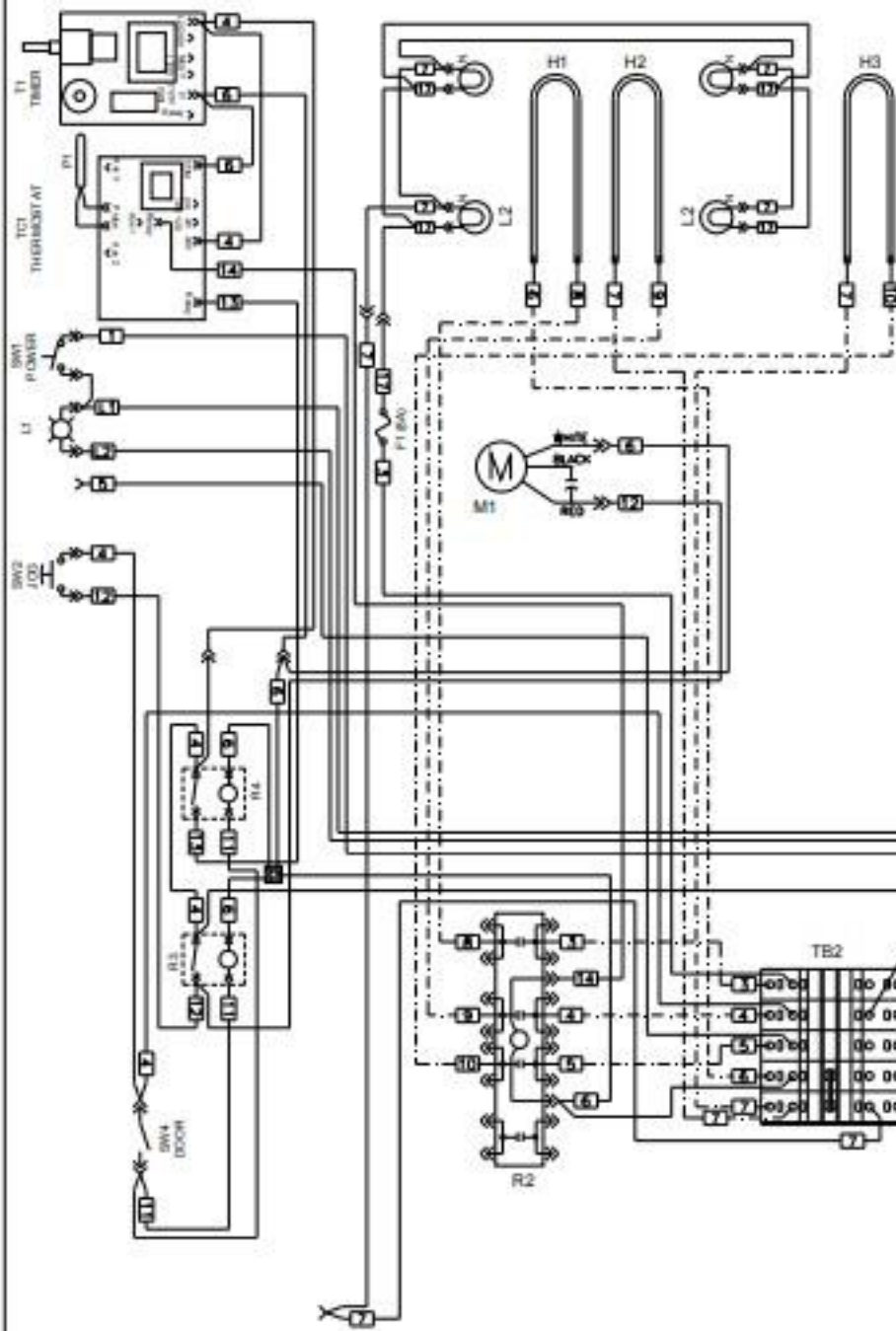
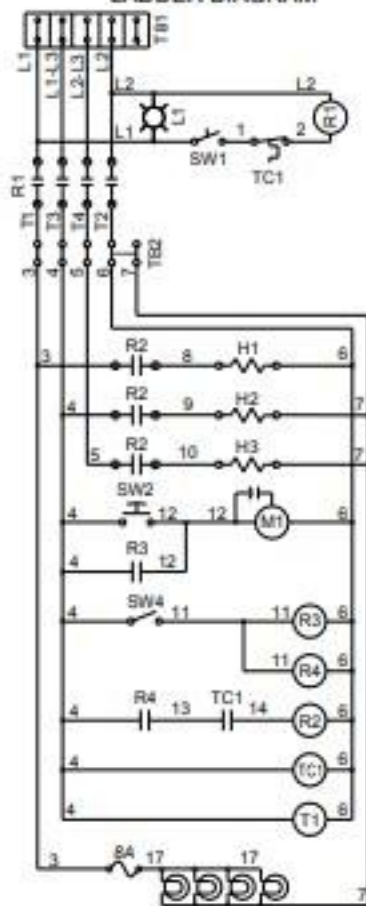


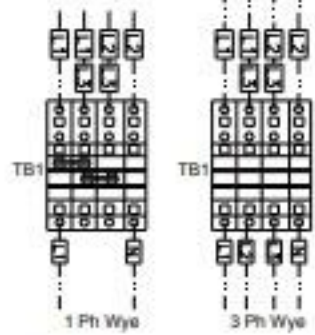
COMPONENT LEGEND

- F1-F0394 FUSE, 8 A
- FU004UK FUSE HOLDER
- H1-C0169 CALROD, 1500W@208V
- H2-C0170 CALROD, 1500W@230V
- H3/
- L1-LH016UK CLR PILOT LIGHT, 250V
- L2-LH0027 LAMPHOLDER #/ BULB 90567, BULB, 40W, 250V
- M1-M0106 GEARMOTOR, 208-230V
- P1-T0174 PROBE, THERMISTOR
- R1-R0150 CONTACTOR, 40A 4P
- R2-R0150 CONTACTOR, 40A 4P
- R3-R0180 RELAY, SPST 240V
- R4-R0180 RELAY, SPST 240V
- SW1-SW045UK SWITCH, ROCKER
- SW035UK COVER, ROCKER SWITCH
- SW2-S0309 PB OPERATOR
- 50307 CONTACT BLOCK, 1 N.O.
- SW4-S0366 PLUNGER SWITCH
- T1-T0061 TIMER, ELECTRONIC
- TC1-T0110 THERMOSTAT, 150-375F
- TC2-T0108 THERMOSTAT, MANUAL RESET
- TB1-TB0003 TERMINAL SECTION, 3 COND.
- TB0005 GROUND TERMINAL SEC.
- TB0004 END PLATE, TERMINAL SEC.
- TB0121 JUMPER, 2 POLE
- TB0109 END STOP, TERMINAL SEC.
- TB2-TB0105 TERMINAL SECTION, 4 COND.
- TB0105 END PLATE, TERMINAL SEC.
- TB0106 JUMPER, 2 POLE
- TB0109 END STOP, TERMINAL SEC.

LADDER DIAGRAM



— 16 AWG WIRE  
 - - - 12 AWG WIRE  
 ···· 10 AWG WIRE



VOLTAGE		
220/380-230/400-240/415 V		
50Hz, 3 Ph+N+E / 1 Ph+N+E		
MODEL No.	DATE	DATE
SRR-5	TAH	6/27/13

VOLTAGE	CURRENT (A)	POWER (W)
220/380	6,9/19,8	4358
230/400	7,2/20,7	4770
240/415	7,6/21,6	5185

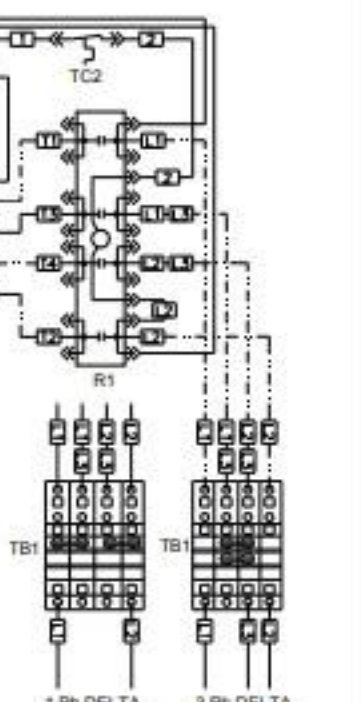
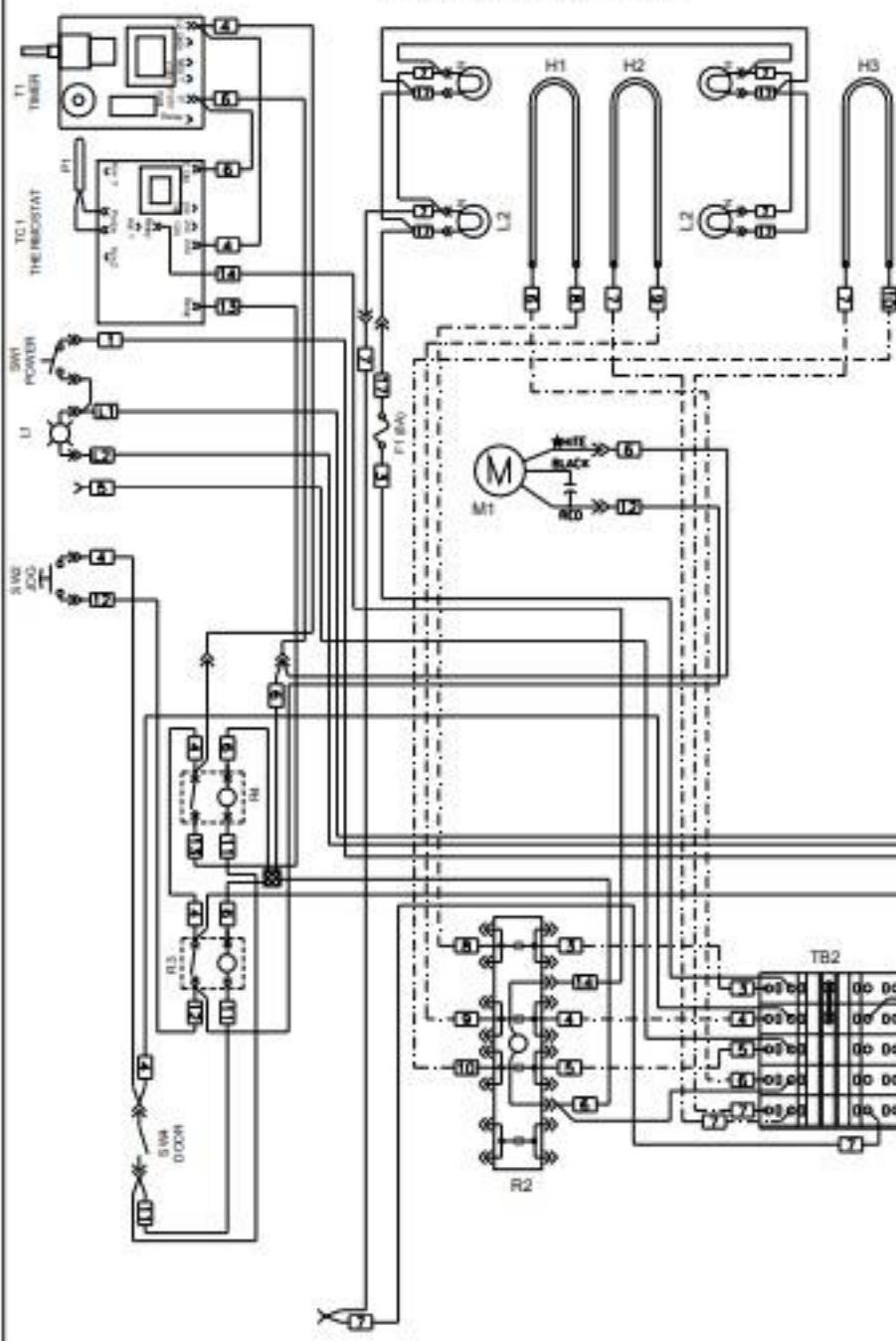
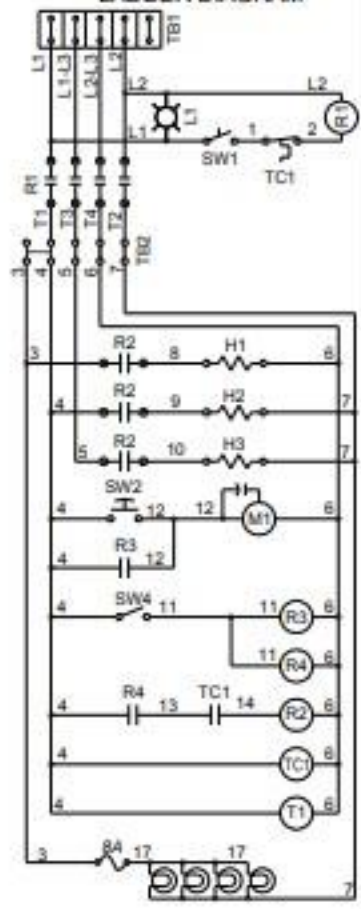
**BKI**

REV. No.	TYPE/SIZE	DRAWING No.
	S, B	30291100

COMPONENT LEGEND

- F1-F0394 FUSE, 8 A
- FU004UK FUSE HOLDER
- H1-CD169 CALROD, 1500W@208V
- H2-CD170 CALROD, 1500W@230V
- H3/
- L1-LH016UK CLR PILOT LIGHT, 250V
- L2-LH027 LAMPHOLDER #/ BULB
- B0567, BULB, 40W, 230V
- M1-M0108 GEAR MOTOR, 208-230V
- P1-TD174 PROBE, THERMISTOR
- R1-R0150 CONTACTOR, 40A 4P
- R2-R0150 CONTACTOR, 40A 4P
- R3-R0180 RELAY, SPST 240V
- R4-R0180 RELAY, SPST 240V
- SW1-SW040UK SWITCH, ROCKER
- SW038UK COVER, ROCKER SWITCH
- SM4-S0366 PLUNGER SWITCH
- T1-T0061 TIMER, ELECTRONIC
- TC1-T0110 THERMOSTAT, 150-375F
- TC2-T0108 THERMOSTAT, MANUAL RESET
- TB1-TB0003 TERMINAL SECTION, 3 COND.
- TB0005 GROUND TERMINAL SEC.
- TB0004 END PLATE, TERMINAL SEC.
- TB0121 JUMPER, 2 POLE
- TB0109 END STOP, TERMINAL SEC.
- TB2-TB0103 TERMINAL SECTION, 4 COND.
- TB0105 END PLATE, TERMINAL SEC.
- TB0106 JUMPER, 2 POLE
- TB0109 END STOP, TERMINAL SEC.

LADDER DIAGRAM



— 10 AWG WIRE  
 - - - 12 AWG WIRE  
 ····· 16 AWG WIRE

DELTA (DOMESTIC)

MODEL No.	VOLTAGE	AMPS.	KILOWATTS	BREAKER SIZE
SRR-5	208	13.5 or 22.8	4.7	20 or 30
3 or 1	220	11.8 or 19.9	4.4	15 or 25
DATE	240	12.8 or 21.6	5.2	20 or 30

REV. No. TYPE/SIZE DRAWING No.  
 S B 30291000

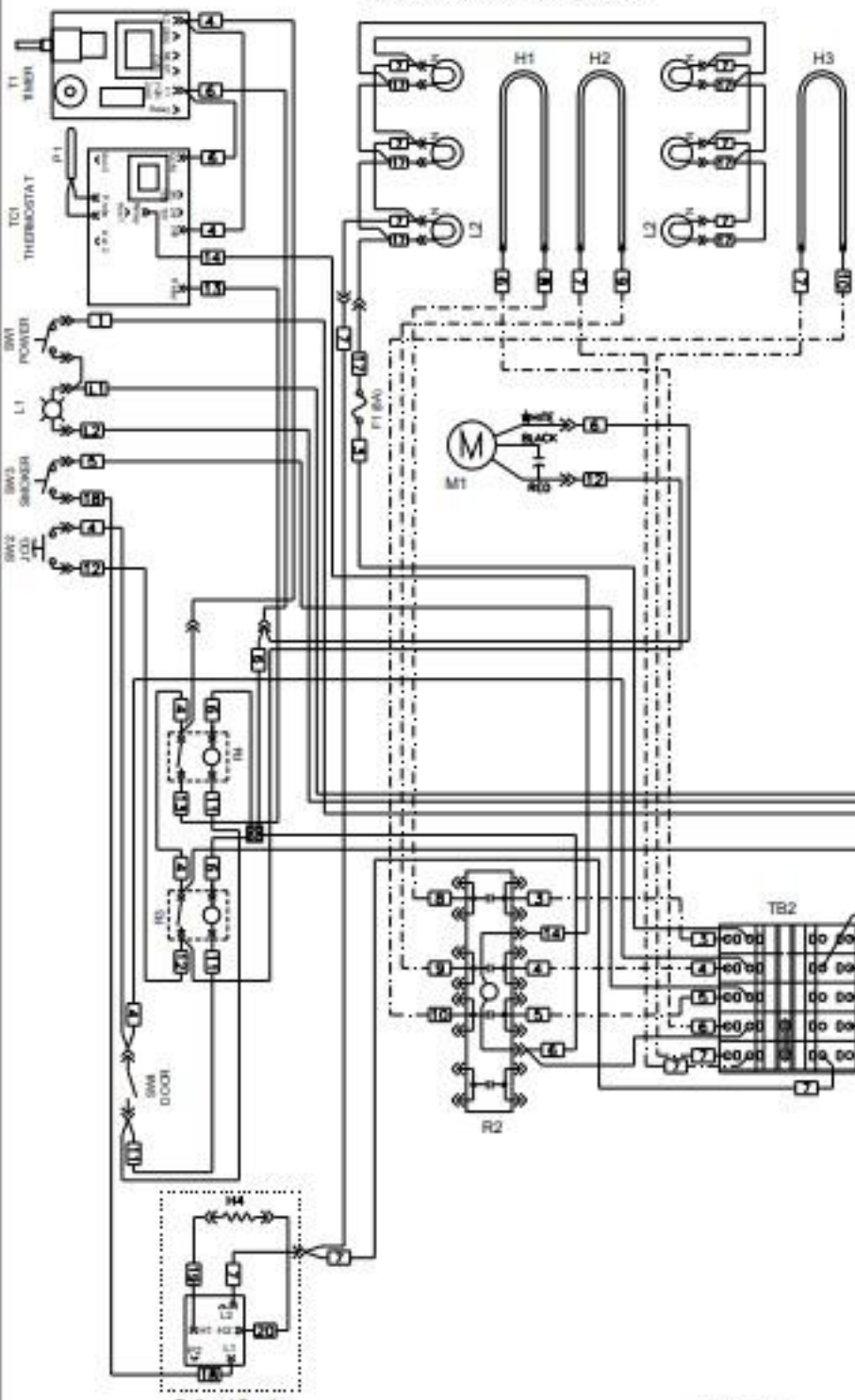
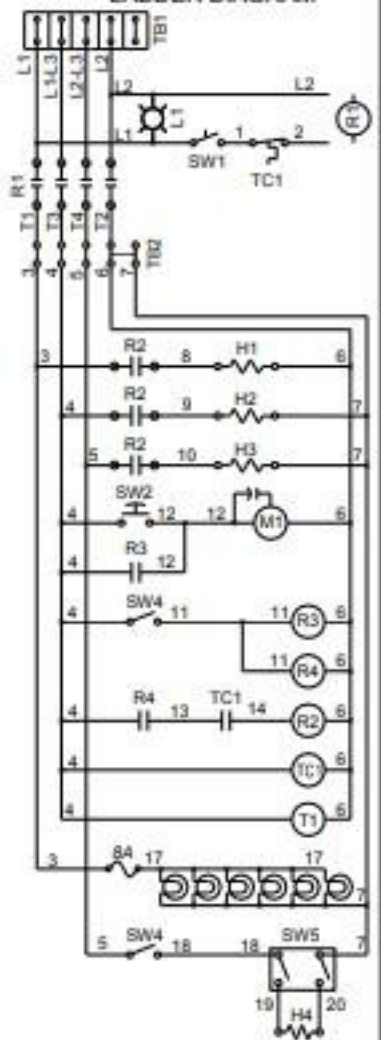


**COMPONENT LEGEND**

F1-F0394 FUSE, 8 A  
 F0004UK FUSE HOLDER  
 H1-C0365 CALROD, 2500W@208V  
 H2-C0356 CALROD, 2500W@230V  
 H3/  
 H4-C0357 CALROD, 300W@230V  
 L1-LH016UK CLR PILOT LIGHT, 250V  
 L2-LH0027 LAMPHOLDER w/ BULB  
 B0567, BULB, 40W, 230V  
 M1-M0108 GEARMOTOR, 208-230V  
 P1-T0174 PROBE, THERMISTOR  
 R1-R0150 CONTACTOR, 40A 4P  
 R2-R0150 CONTACTOR, 40A 4P  
 R3-R0180 RELAY, SPST 240V  
 R4-R0180 RELAY, SPST 240V  
 SW1-SW040UK SWITCH, ROCKER  
 SW038UK COVER, ROCKER SWITCH

S82-50309 PB OPERATOR  
 50307 CONTACT BLOCK, 1 N.O.  
 S85-SW040UK SWITCH, ROCKER  
 SW038UK COVER, ROCKER SWITCH  
 S84-50363 PLINGER SWITCH  
 S85-50141 INFINITE SWITCH  
 T1-T0061 TIMER, ELECTRONIC  
 TC1-T0110 THERMOSTAT, 150-375F  
 TC2-T0108 THERMOSTAT, MANUAL RESET  
 TB1-TB0003 TERMINAL SECTION, 3 COND.  
 TB0005 GROUND TERMINAL SEC.  
 TB0004 END PLATE, TERMINAL SEC.  
 TB0121 JUMPER, 2 POLE  
 TB0109 END STOP, TERMINAL SEC.  
 TB2-TB0103 TERMINAL SECTION, 4 COND.  
 TB0105 END PLATE, TERMINAL SEC.  
 TB0106 JUMPER, 2 POLE  
 TB0109 END STOP, TERMINAL SEC.

**LADDER DIAGRAM**



Optional Smoker

— 16 AWG WIRE  
 - - - 12 AWG WIRE  
 ····· 10 AWG WIRE

VOLTAGE		
220/380-230/400-240/415 V		
50Hz, 3 Ph+N+E / 1 Ph+N+E		
MODEL No.	DESIGN BY	DATE
SRR-7	TAH	6/27/13

VOLTAGE	CURRENT (A)	POWER (W)
220/380	11.9 / 34.2	7520
230/400	12.2 / 35.6	8180
240/415	12.7 / 38.6	8870

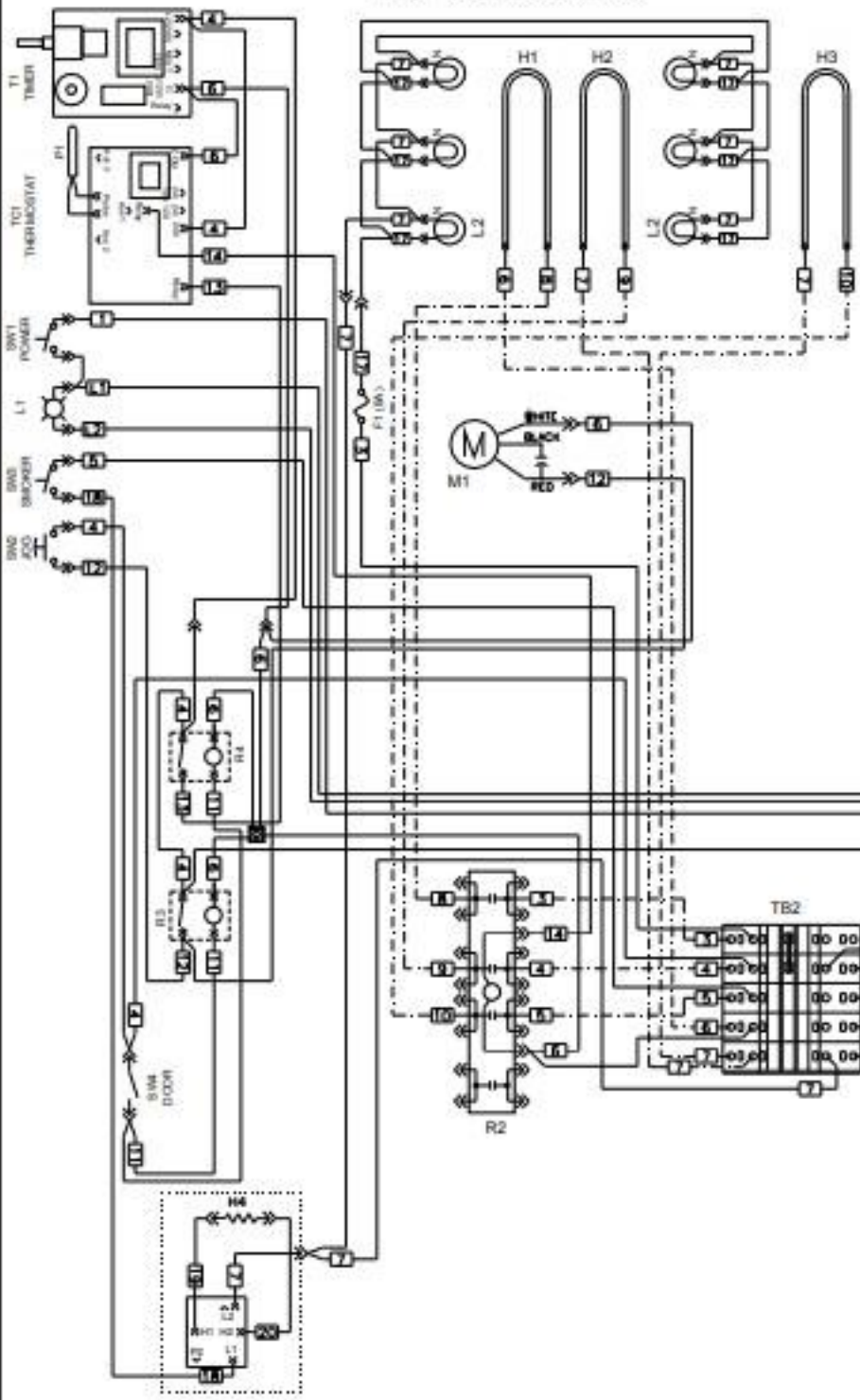
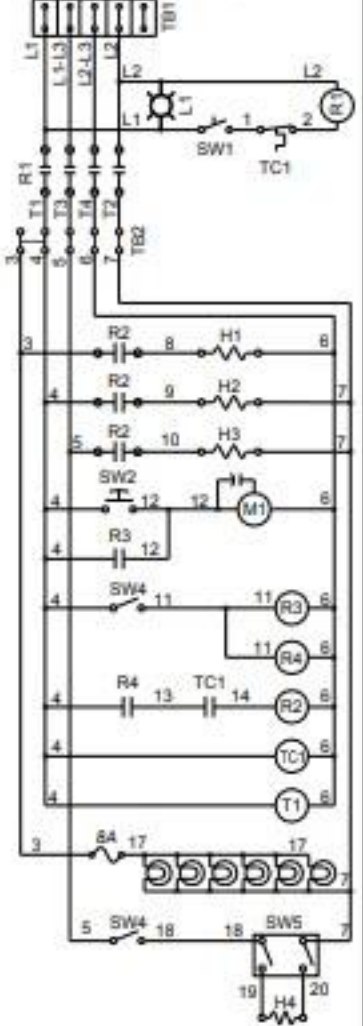
**BKI**

REV. No. \_\_\_\_\_ TYPE/SIZE DRAWING No. S\_B\_30290400

**COMPONENT LEGEND**  
 F1-F0394 FUSE, 8 A  
 FUD04UK FUSE HOLDER  
 H1-C0355 CALROD, 2500W@208V  
 H2-C0356 CALROD, 2500W@230V  
 H3/  
 H4-C0357 CALROD, 500W@230V  
 L1-LD16UK CLR PILOT LIGHT, 250V  
 L2-LND027 LAMPHOLDER #/ BULB  
 80567, BULB, 40W, 230V  
 M1-M0108 GEARMOTOR, 208-230V  
 P1-T0174 PROBE, THERMISTOR  
 R1-R0150 CONTACTOR, 40A 4P  
 R2-R0150 CONTACTOR, 40A 4P  
 R3-R0180 RELAY, SPST 240V  
 R4-R0180 RELAY, SPST 240V  
 SW1-SW040UK SWITCH, ROCKER  
 SW038UK COVER, ROCKER SWITCH

**COMPONENT LEGEND**  
 SW2-S0309 PB OPERATOR  
 50307 CONTACT BLOCK, 1 N.O.  
 SW3-SW040UK SWITCH, ROCKER  
 SW038UK COVER, ROCKER SWITCH  
 SW4-S0366 PLUNGER SWITCH  
 SW5-S0141 INFINITE SWITCH  
 T1-T0061 TIMER, ELECTRONIC  
 TC1-T0110 THERMOSTAT, 150-575F  
 TC2-T0108 THERMOSTAT, MANUAL RESET  
 TB1-TB0003 TERMINAL SECTION, 3 COND.  
 TB0005 GROUND TERMINAL SEC.  
 TB0004 END PLATE, TERMINAL SEC.  
 TB0121 JUMPER, 2 POLE  
 TB0109 END STOP, TERMINAL SEC.  
 TB2-TB0103 TERMINAL SECTION, 4 COND.  
 TB0105 END PLATE, TERMINAL SEC.  
 TB0106 JUMPER, 2 POLE  
 TB0109 END STOP, TERMINAL SEC.

**LADDER DIAGRAM**



Optional Smoker

——— 18 AWG WIRE  
 - - - 12 AWG WIRE  
 - - - 10 AWG WIRE

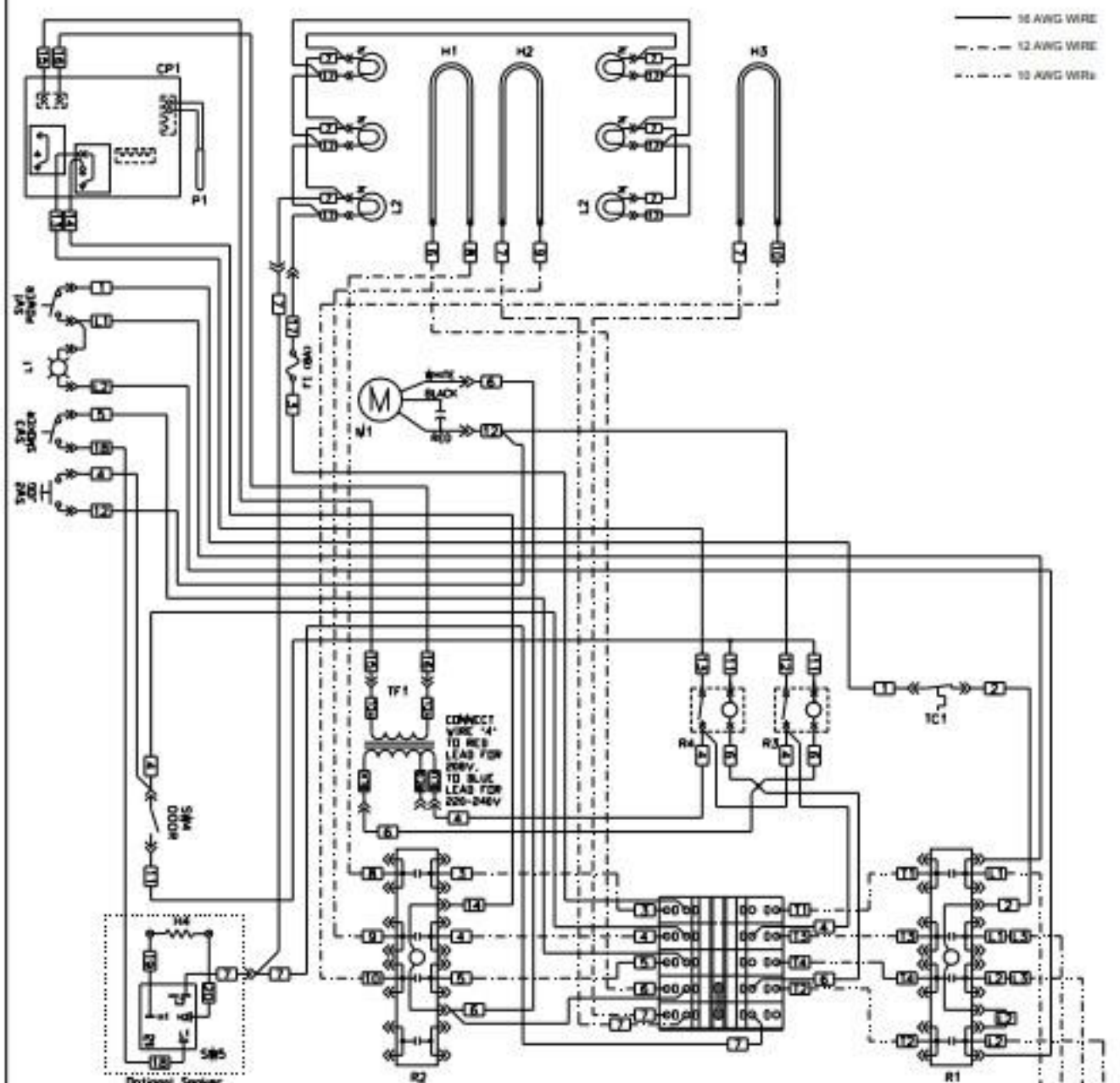
**DELTA (DOMESTIC)**

MODEL No.	VOLTAGE	AMPS.	KILOWATTS	BREAKER SIZE
SRR-7	208	23.0 or 39.1	8.1	30 or 50
PHASE	No. OF WIRES			
3 or 1	4 or 3	220	20.3 or 34.3	7.6
240	22.2 or 37.4	9.0	30 or 50	

REV. No.



TYPE SIZE DRAWING No.  
 S, B, 30290300



- COMPONENT LEGEND**
- CP1-CP062 CONTROLLER, TIME & TEMP  
 F1-F0394 FUSE, 5 A  
 F0004UK FUSE HOLDER
- H1/  
 H2-C0356 CALROD, 2500W@230V  
 H3/  
 H4-C0357 CALROD, 3000W@230V  
 L1-L016UK CLR PILOT LIGHT, 250V  
 L2-  
 M1-M0108 GEARMOTOR, 208-230V  
 P1-P0172 PROBE, THERMISTOR  
 R1-R0150 CONTACTOR, 40A 4P  
 R2-R0150 CONTACTOR, 40A 4P  
 R3-R0171 RELAY, SPDT 220/240V  
 S#1-S#040UK SWITCH, ROCKER  
 S#038UK COVER, ROCKER SWITCH  
 S#2-S0309 PB OPERATOR  
 S0307 CONTACT BLOCK, 1 N.O.  
 S#3-S#040UK SWITCH, ROCKER  
 S#038UK COVER, ROCKER SWITCH  
 S#4-S0366 PLUNGER SWITCH, N.O.  
 S#5-S0141 INFINITE SWITCH  
 TB1-TB0003 TERMINAL SECTION, 3 COND.  
 TB0005 GROUND TERMINAL SEC.  
 TB0004 END PLATE, TERMINAL SEC.  
 TB0121 JUMPER, 2 POLE  
 TB0109 END STOP, TERMINAL SEC.  
 TB2-TB0103 TERMINAL SECTION, 4 COND.  
 TB0106 END PLATE, TERMINAL SEC.  
 TB0106 JUMPER, 2 POLE  
 TB0109 END STOP, TERMINAL SEC.  
 TC1-T0108 THERMOSTAT, MANUAL RESET  
 TF1-CB30206100 TRANSFORMER, 240-24V

VOLTAGE  
 220/380-230/400-240/415 V  
 50Hz, 3 Ph + N + E

MODEL No. SRR-7  
 DRAWN BY TAH  
 DATE 9/15/11

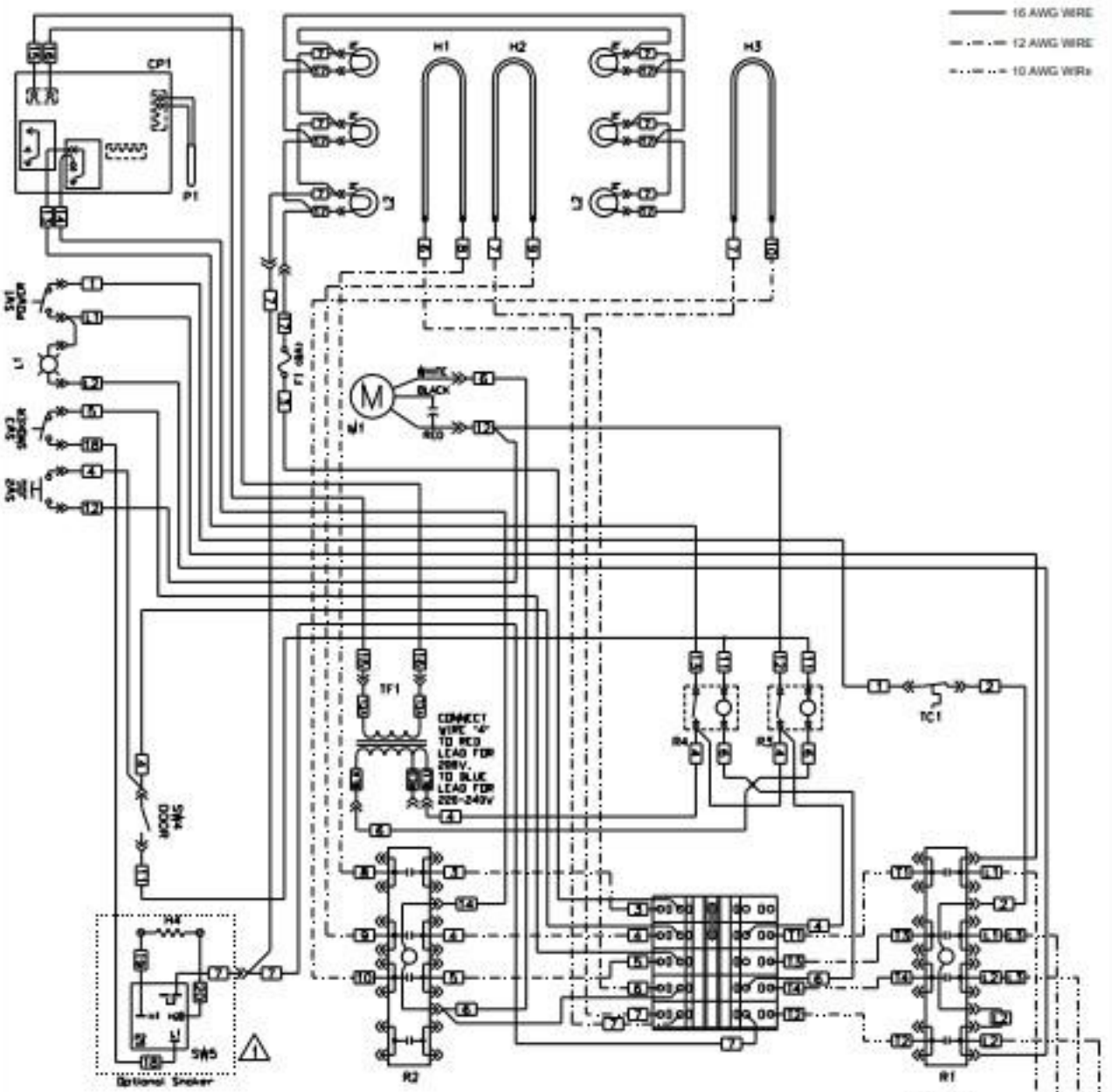
	CURRENT (A)	POWER (W)
L1	11.5-11.9-12.5	2527-2740-2984
L2	10.9-11.3-11.8	2397-2610-2832
L3	11.7-12.1-12.7	2562-2800-3049

REV. No.



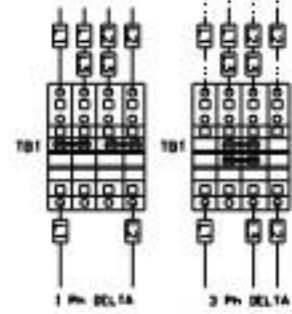
TYPE/SIZE/DRAWING No.  
 S, B, 30290200

— 16 AWG WIRE  
 - - - 12 AWG WIRE  
 · · · · 10 AWG WIRE



Optional Speaker

- COMPONENT LEGEND**
- CP1-CR062 CONTROLLER, TIME & TEMP
  - F1-F0394 FUSE, 8 A
  - FU004UK FUSE HOLDER
  - H1-C0356 CALROD, 2500W@208V
  - H2-C0356 CALROD, 2500W@240V
  - H3/
  - H4-C0008 CALROD, 400W@230V
  - L1-LX016UK CLR PLOT LIGHT, 250V
  - L2-
  - M1-M0108 GEARMOTOR, 208-230V
  - P1-T0172 PROBE, THERMISTOR
  - R1-R0150 CONTACTOR, 40A 4P
  - R2-R0150 CONTACTOR, 40A 4P
  - R3-R0171 RELAY, SPDT 220/240V
  - S1-S8040UK SWITCH, ROCKER
  - S2-SW038UK COVER, ROCKER SWITCH
  - S3-S0309 PB OPERATOR
  - S4-S0307 CONTACT BLOCK, 1 N.O.
  - S5-S8040UK SWITCH, ROCKER
  - S6-SW038UK COVER, ROCKER SWITCH
  - S7-S0366 PLUNGER SWITCH, N.O.
  - S8-S0141 INFINITE SWITCH
  - TB1-TB0003 TERMINAL SECTION, 5 COND.
  - TB0005 GROUND TERMINAL SEC.
  - TB0004 END PLATE, TERMINAL SEC.
  - TB0777 JUMPER, 2 POLE
  - TB0109 END STOP, TERMINAL SEC.
  - TB2-TB0103 TERMINAL SECTION, 4 COND.
  - TB0105 END PLATE, TERMINAL SEC.
  - TB0106 JUMPER, 2 POLE
  - TB0109 END STOP, TERMINAL SEC.
  - TC1-T0108 THERMOSTAT, MANUAL RESET
  - TF1-EB30206100 TRANSFORMER, 240x24V



DELTA (DOMESTIC)

MODEL No.	VOLTAGE	AMPS.	KILOWATTS	BREAKER SIZE
SRR-7	208	23.0 or 39.1	8.1	30 or 50
PHASE	No. OF WIRES			
3 or 1	4 or 3	220	20.3 or 34.3	7.6
240		22.2 or 37.4	9.0	30 or 50



REV. No.  11-104

TYPE/SIZE DRAWING No.  
 S, B, SB30290100