

Gas Pressure Fryer

MODELS FKG-TC
Service Manual



BKI LIMITED WARRANTY

2812 Grandview Dr. • Simpsonville, SC 29680 • USA
 (864) 963-3471 • Toll Free: (800) 927-6887 • Fax: (864) 963-5316

| | |
|--------------------------|--|
| WHAT IS COVERED | <p>This warranty covers defects in material and workmanship under normal use, and applies only to the original purchaser providing that:</p> <ul style="list-style-type: none"> <input type="checkbox"/> The equipment has not been accidentally or intentionally damaged, altered or misused; <input type="checkbox"/> The equipment is properly installed, adjusted, operated and maintained in accordance with national and local codes, and in accordance with the installation and operating instructions provided with this product. <input type="checkbox"/> The serial number rating plate affixed to the equipment has not been defaced or removed. |
| WHO IS COVERED | <p>This warranty is extended to the original purchaser and applies only to equipment purchased for use in the U.S.A.</p> |
| COVERAGE PERIOD | <ul style="list-style-type: none"> <input type="checkbox"/> Warranty claims must be received in writing by BKI within one (1) year from date of installation or within one (1) year and three (3) months from date of shipment from the factory, whichever comes first. <input type="checkbox"/> COB Models: One (1) Year limited parts and labor. <input type="checkbox"/> COM Models: Two (2) Year limited parts and labor. COM convection ovens also have a two (2) year door warranty. <input type="checkbox"/> CO1 Models: Two (2) Year limited parts and labor. Five (5) Year limited door warranty. <input type="checkbox"/> Warranty period begins the date of dealer invoice to customer or ninety (90) days after shipment date from BKI, whichever comes first. |
| WARRANTY COVERAGE | <p>This warranty covers on-site labor, parts and reasonable travel time and travel expenses of the authorized service representative up to (100) miles round trip and (2) hours travel time and performed during regular, weekday business hours.</p> |
| EXCEPTIONS | <p>Any exceptions must be pre-approved in advance and in writing by BKI. The extended door warranty on convection ovens years 3 through 5 is a parts only warranty and does not include labor, travel, mileage or any other charges.</p> |
| EXCLUSIONS | <ul style="list-style-type: none"> <input type="checkbox"/> Negligence or acts of God, <input type="checkbox"/> Thermostat calibrations after (30) days from equipment installation date, <input type="checkbox"/> Air and gas adjustments, <input type="checkbox"/> Light bulbs, <input type="checkbox"/> Glass doors and door adjustments, <input type="checkbox"/> Fuses, <input type="checkbox"/> Adjustments to burner flames and cleaning of pilot burners, <input type="checkbox"/> Tightening of screws or fasteners, <input type="checkbox"/> Failures caused by erratic voltages or gas suppliers, <input type="checkbox"/> Unauthorized repair by anyone other than a BKI Factory Authorized Service Center, <input type="checkbox"/> Damage in shipment, <input type="checkbox"/> Alteration, misuse or improper installation, <input type="checkbox"/> Thermostats and safety valves with broken capillary tubes, <input type="checkbox"/> Freight - other than normal UPS charges, <input type="checkbox"/> Ordinary wear and tear, <input type="checkbox"/> Failure to follow installation and/or operating instructions, <input type="checkbox"/> Events beyond control of the company. |
| INSTALLATION | <p>Leveling, as well as proper installation and check out of all new equipment - per appropriate installation and use materials - is the responsibility of the dealer or installer, not the manufacturer.</p> |
| REPLACEMENT PARTS | <p>BKI genuine Factory OEM parts receive a (90) day materials warranty effective from the date of installation by a BKI Factory Authorized Service Center</p> <p>Warranty is in lieu of all other warranties, expressed or implied, and all other obligations or liabilities on the manufacturer's part. BKI shall in no event be liable for any special, indirect or consequential damages, or in any event for damages in excess of the purchase price of the unit. The repair or replacement of proven defective parts shall constitute a fulfillment of all obligations under the terms of this warranty.</p> |

Table of Contents

| | |
|----------------------------------|-----------|
| Table of Contents | 1 |
| Introduction | 2 |
| Safety | 2 |
| Safety Signs and Messages | 2 |
| Specific Precautions | 3 |
| Equipotential ground plane | 3 |
| Full Disconnection..... | 3 |
| Safe Work Practices | 4 |
| Installation | 10 |
| Operation | 11 |
| Start-Up (FKG-TC)..... | 11 |
| Product Programming..... | 14 |
| Set Oil Temp..... | 18 |
| Set Clock..... | 19 |
| Settings | 20 |
| Frying Log..... | 21 |
| Machine Log | 22 |
| Import/Export | 23 |
| Change Code..... | 26 |
| System I/O | 27 |
| Cap Touch | 29 |
| Options..... | 30 |
| Screen..... | 31 |
| Maintenance | 33 |
| Scheduled Maintenance | 33 |
| Safety Pop Valve Procedure | 34 |
| Troubleshooting | 35 |
| Gas Alarm..... | 36 |
| Filter Pump Reset..... | 36 |
| Replacement Parts | 38 |
| Assemblies..... | 38 |
| Components..... | 55 |
| Accessories..... | 57 |
| Wiring Diagram | 59 |
| Notes | 60 |

Introduction

The FKG Pressure Fryer is compact, attractive and functional in design. It is constructed of a stainless steel fryer pot for cleaning ease. Exclusive BKI patented features and safety devices offer flexibility, efficiency and reliability plus **PERFECTION IN PRESSURE FRYING!**

The BKI name and trademark on this unit assures you of the finest in design and engineering -- that it has been built with care and dedication -- using the best materials available. Attention to the operating instructions regarding proper installation, operation, and maintenance will result in long lasting dependability to insure the highest profitable return on your investment.

NOTICE

PLEASE READ THIS ENTIRE MANUAL BEFORE OPERATING THE UNIT. If you have any questions, please contact your BKI Distributor. If they are unable to answer your questions, contact the BKI Technical Service Department, toll free: 1-800-927-6887. Outside the U.S., call 1-864-963-3471.

Safety

Always follow recommended safety precautions listed in this manual. Below is the safety alert symbol. When you see this symbol on your equipment, be alert to the potential for personal injury or property damage.



Safety Signs and Messages

The following Safety signs and messages are placed in this manual to provide instructions and identify specific areas where potential hazards exist and special precautions should be taken. Know and understand the meaning of these instructions, signs, and messages. Damage to the equipment, death or serious injury to you or other persons may result if these messages are not followed.



This message indicates an imminently hazardous situation which, if not avoided, will result in death or serious injury.



This message indicates a potentially hazardous situation, which, if not avoided, could result in death or serious injury.



This message indicates a potentially hazardous situation, which, if not avoided, may result in minor or moderate injury. It may also be used to alert against unsafe practices.



This message is used when special information, instructions or identification are required relating to procedures, equipment, tools, capacities and other special data.

Specific Precautions



Risk of fire exists if the oil level drops below 5mm of the maximum oil level.



Use of oil/shortening older than the manufacturer's recommendations for life of the oil is prone to surge boiling and flash fires. Follow the oil manufacturer's guidelines for the life cycle of oil/shortening.



Do not open the drain valve or the fill valve while the fryer is under pressure. Serious burns may result.



The appliance and its individual shutoff valve must be disconnected from the gas supply system during any pressure testing of that system at test pressures in excess of ½ psi (3.5 kPa).



FOR YOUR SAFETY

Do not store or use gasoline or other flammable vapors or liquids in the vicinity of this or any other appliance.



Improper installation, adjustment, alteration, service or maintenance can cause property damage, injury or death. Read the installation, operation and maintenance instructions thoroughly before installing or servicing this equipment.



Follow instructions regarding effects of surge boiling of over-wet foods and proper load size.



Equipotential ground plane

When a high current flows through a conductor, differences in potential appear between the conductor and nearby metallic surfaces near the appliance. As a result, sparks may be produced between the appliance and surrounding metal surfaces. These sparks could cause serious injury, damage, or fire.

BKI provides an Equipotential ground terminal for the connection of a bonding conductor after the installation of the appliance per IEC60417-1. This terminal is located on the inside of the Power Entry Supply box near the Earth connection and is marked with this symbol.



Full Disconnection

In accordance with Local and/or National wiring codes, the installer must provide a means of full disconnection under over voltage Category III conditions. An IEC approved cord and plug combination will meet this requirement.

Units not provided with a cord and plug do not meet this requirement. In accordance with Local and/or National wiring codes, the installer must provide the means of full disconnection.



The fryer is designed to hold a maximum of 75lbs (34KG) of oil/shortening.



The purchaser must post, in a prominent location, instructions to be followed in the event the user smells gas. This information shall be obtained by consulting the local gas supplier.

Safe Work Practices



Do Not Store or Use Anything Flammable Near the Fryer

Your pressure fryer is powered by either natural gas or LP gas. Do not store or use gasoline or any flammable liquids or vapors near this or any other appliance. Flammable materials will burn easily. Letting any flammable liquid or vapor get too close to the fryer could cause an explosion or fire. Serious injury could result. Examples of flammables that you should not store near the fryer are gasoline, paint, thinners or removers, gas tanks, and cleaning materials.



Use Gas Safely-- Avoid Danger

Gas can be a dangerous fuel if not handled safely.

Make sure to ventilate the fryer properly. If the fryer is not properly ventilated, carbon monoxide can be released around the fryer. Asphyxiation or suffocation can occur if gas is not ventilated properly.

Before using this appliance for the first time, contact your local gas supplier for instructions about what to do if you smell gas. Post those instructions somewhere near the fryer, so that everyone who uses or works near the fryer knows what to do if they smell gas.



Beware of High Voltage

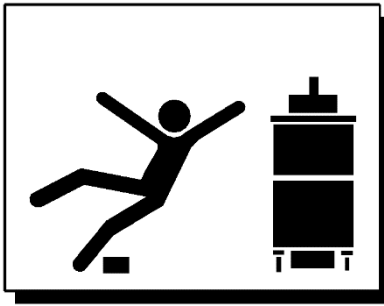
This equipment uses high voltage. Serious injury can occur if you or any untrained or unauthorized person installs, services, or repairs this equipment. Always Use an Authorized Service agent to Service Your Equipment.



Noncombustible Floors Only

Make sure your floor is noncombustible. Do not operate your fryer on floors that are wood, carpeted or have rubber mats.

- Placing your fryer on a combustible floor could cause a fire. Serious injury could result.
- Examples of noncombustible floors where you can safely place your fryer are concrete, tile, and ceramic.



Keep the Area Around Your Fryer Uncluttered

Make sure to keep the area around your fryer clear of any obstacles.

Serious injury can occur if you trip or fall near the fryer. You could be burned by hot shortening that splashes out of the fryer or by falling against the hot metal of the fryer.



Keep the Floor Around Your Fryer Clean Of Shortening

Make sure to keep the floor around your fryer clean of shortening and other liquids.

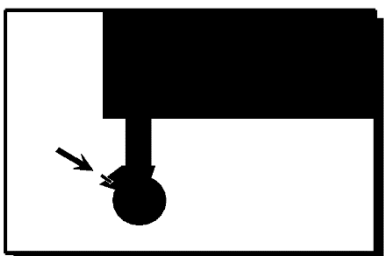
Serious injury can occur if you slip near your fryer. You could be burned by hot shortening that splashes out of the fryer or by falling against the hot metal of the fryer.



Keep the Lid Closed When The Fryer Is Not In Use

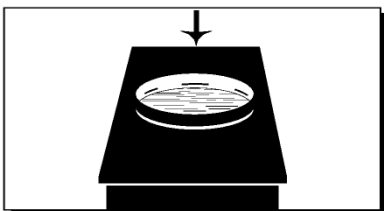
Hot shortening can splash if someone moves the fryer or bumps into it. Serious injury can occur if hot shortening splashes out of the fryer.

Do not lean, sit or stand on the fryer or perform any maintenance or cleaning duties while the fryer or the shortening is hot. You could be burned.



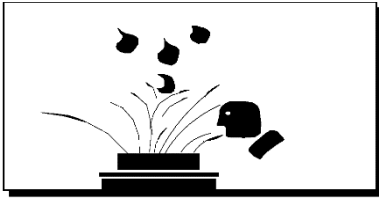
Keep the Casters Locked

To avoid spilling shortening, keep the casters locked. If any shortening spills near your fryer, clean it up immediately.



Do Not Overfill the Fryer with Shortening

Hot shortening and steam may escape and burn you if you put too much shortening in the fryer. Fill the fryer to the fill marks that are inside the fryer pot. Heat the shortening.



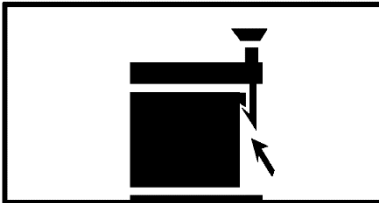
Do Not Let Any Water Get into The Fryer

Always remove excess moisture from food before placing it into the fryer basket. Water will cause the hot shortening to spatter. You could be burned.



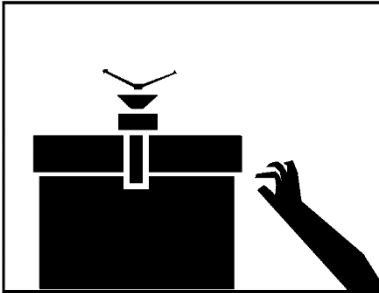
Do Not Overload the Basket With Food

Hot shortening and steam may escape and burn you if you place too much food in the basket.



Always Make Sure the Lid Hook Is Latched When Closing The Fryer

To make sure the lid hook is latched properly, press down the lid until the hook snaps shut. Hot shortening and steam can escape if the lid hook is not latched properly. You could be burned.

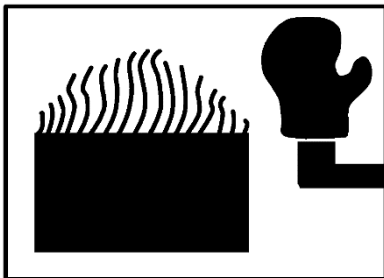


Always Tighten the Spin Handle When Closing The Fryer

Hot shortening and steam can escape if you do not tighten the spin handle properly. You could be burned. Line up the orange knobs on the fryer lid handle and the front hook when tightening.

Do Not Over-Tighten the Spin Handle

You could damage the fryer.



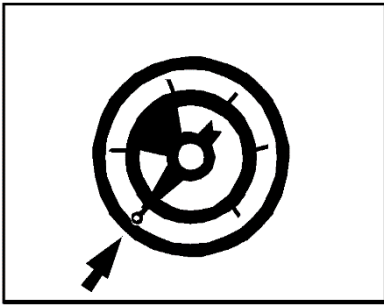
Wear Safe Clothing Appropriate To Your Job

Always wear your insulated mitts when handling the fryer basket or touch any hot metal surfaces. You received a pair of insulated mitts with your fryer. If you lose or damage your mitts, you can buy new ones at your local restaurant equipment supply store or from your local **BKI** Distributor.

Always wear non-skid shoes when working around the fryer or any other equipment that uses shortening. Never wear loose clothing such as neckties or scarves while operating your fryer. Keep loose hair tied back or in a hair net while operating your fryer.

Always wear appropriate personal protection equipment during the filtering process to guard against possible injury from hot oil.

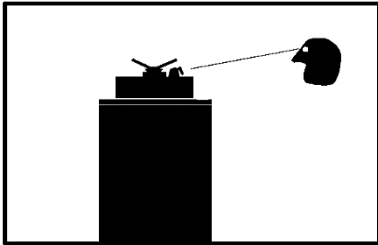
Always wear appropriate personal protection equipment during the boil-out process to guard against possible injury from hot cleaning solution.



Never Loosen the Spin Handle Until The Pressure Gauge Is At Zero

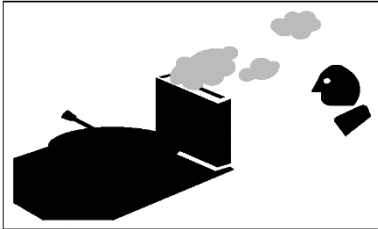
Steam may escape suddenly if you loosen the spin handle before the gauge is at zero. If steam escapes suddenly, you could be burned.

After the pressure gauge is at zero, wait 5 seconds. Then loosen the spin handle slowly to open the lid of the fryer. By doing this, the steam will escape slowly and you will not be burned.



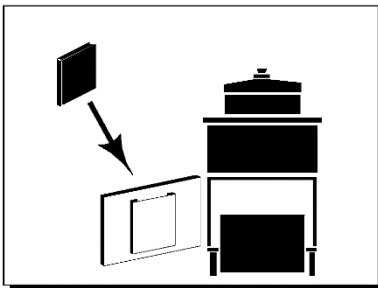
Seal the Safety Valve Properly

To seal the safety valve, lift the arm on the side of the valve. Then release it. The valve should snap closed. Hot steam can escape from the valve and you could be burned if you do not seal the valve properly.



Keep Away From the Vent

Hot steam escapes from the vent continuously when you are using your fryer. You could be burned if you get too close to the vent.



Keep this manual with the Equipment

This manual is an important part of your equipment. Always keep it near for easy access.

If you need to replace this manual, contact:

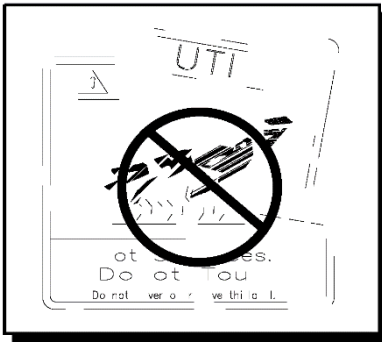
BKI
 Technical Services Department
 2812 Grandview Drive
 Simpsonville, S.C. 29680
 Or call toll free: 1-800-927-6887
 Outside the U.S., call 864-963-3471



Protect Children

Keep children away from this equipment. Children may not understand that this equipment is dangerous for them and others.

NEVER allow children to play near or operate your equipment.



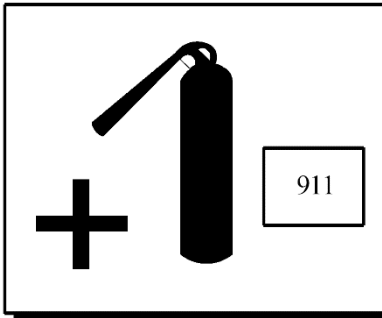
Keep Safety Labels Clean and in Good Condition

Do not remove or cover any safety labels on your equipment. Keep all safety labels clean and in good condition. Replace any damaged or missing safety labels. Refer to the Safety Labels section for illustration and location of safety labels on this unit.

If you need a new safety label, obtain the number of the specific label illustrated on page **Error! Bookmark not defined.**, then contact:

BKI

Technical Services Department
2812 Grandview Drive
Simpsonville, S.C. 29680
Or call toll free: 1-800-927-6887
Outside the U.S., call 864-963-3471

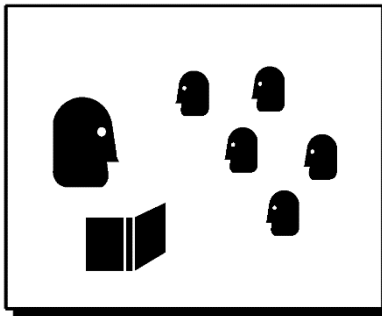


Be Prepared for Emergencies

Be prepared for fires, injuries, or other emergencies.

Keep a first aid kit and a fire extinguisher near the equipment. You must use a 40-pound Type BC fire extinguisher and keep it within 25 feet of your equipment.

Keep emergency numbers for doctors, ambulance services, hospitals, and the fire department near your telephone.



Know your responsibilities as an Employer

- Make certain your employees know how to operate the equipment.
- Make certain your employees are aware of the safety precautions on the equipment and in this manual.
- Make certain that you have thoroughly trained your employees about operating the equipment safely.
- Make certain the equipment is in proper working condition. If you make unauthorized modifications to the equipment, you will reduce the function and safety of the equipment.



Do Not Smoke Near The Fryer.



Electrical Grounding Instructions:

This appliance is equipped with a three-prong (grounding) plug for your protection against shock hazard and should be plugged directly into a properly grounded three-prong receptacle. Do not cut or remove the grounding prong from this plug.

Installation

For installation information refer to *Gas Pressure Fryer, MODEL FKG-TC, Installation and Operation Manual*.

Operation

Start-Up (FKG-TC)

1. Turn fryer on by touching the **ON** button for 3 seconds.
2. Make sure the main drain valve is closed.



3. Fill pot with shortening to about one inch below the mark.

WARNING

Risk of fire exists if the oil level drops below the minimum oil level. The level of oil within the pot must not fall below 5mm of the maximum oil level.

WARNING

Use of oil/shortening older than the manufacturers recommendations for life of the oil is prone to surge boiling and flash fires. Follow the oil manufacturers guidelines for lifecycle of oil/shortening.

CAUTION

Overfilling the fryer pot with shortening could lead to serious injury. Ensure that the fryer pot is filled with shortening only to the fill mark when shortening is hot. Do not use any shortening other than what is specified in this manual and do not overfill the fryer pot.

CAUTION

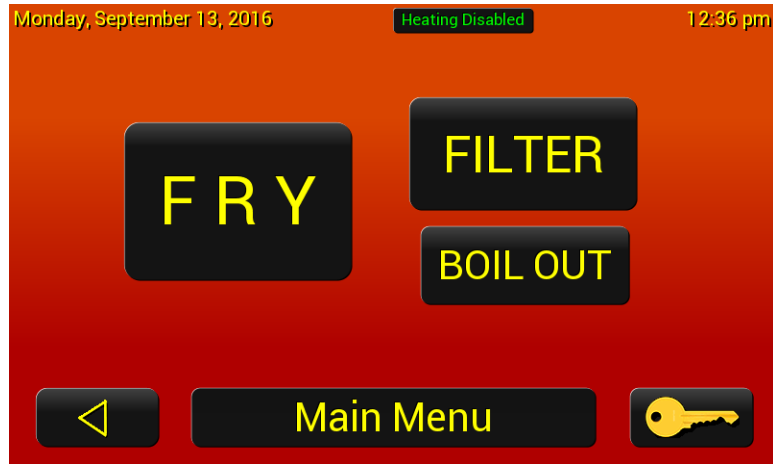
The fryer has a maximum temperature setting of 375° F/191° C. Do not use oil/shortening with a flashpoint less than 554° F (290° C)

NOTICE

Use only high-quality shortening that has low moisture content, a high smoke point and no additives.



- Once the fryer is filled with shortening, press the **FRY** button.



- Confirm the oil level by pressing the green check mark.



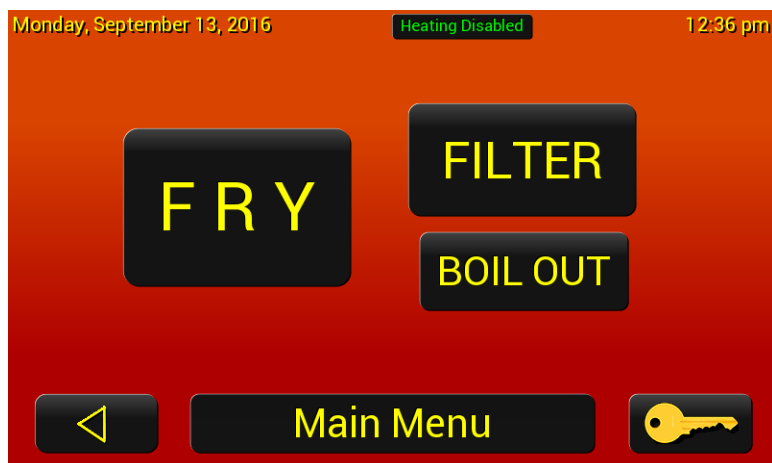
- The fryer will start heating up by going into a melt cycle. It will pulse the elements until the oil gets to 225° F (107° C) and then goes into heat mode until it reaches the setpoint temperature. The recipes will be greyed out and inaccessible until the fryer reaches setpoint temperature. (If the burner does not light and you get a **Gas Alarm**, see the Gas Alarm instructions in the Troubleshooting section.)



4. When the fryer is ready to cook the recipes will be activated.

IMPORTANT! Before the first cooking operation each day, stir the shortening freely while it is heating to provide a balanced shortening temperature for excellent results with the first cooking. Failure to do this can result in a crusty skin on the product surface with an undercooked product internally. In addition, in some cases, failure to stir the shortening while it is initially heating may cause the HI-LIMIT safety device to disable the power due to a false overtemperature condition.

Product Programming



1. Press the Key button to get into the settings menus.



2. Enter code **1234** and then press the green check mark.



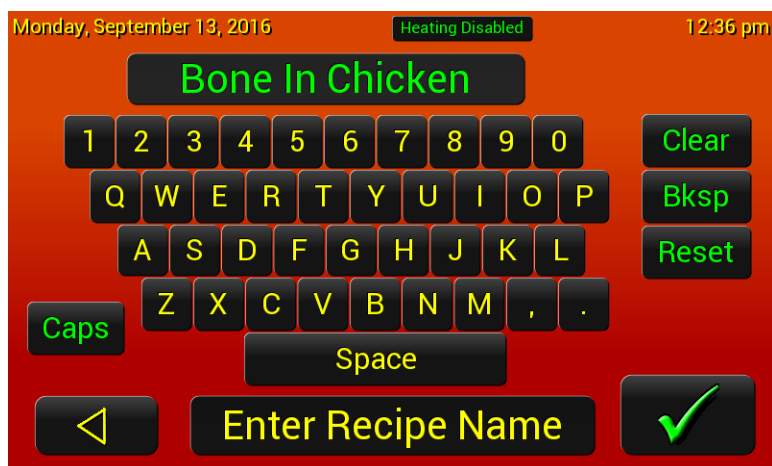
3. Select the **Edit Recipe** button



4. Select the Recipe that needs edited.



5. In the Edit Recipe screen the name, cook time, temperature, timing type, & picture can be edited.



6. Select **Name** to change the name and press the green check mark to save.



7. Select **Frying** to edit the time and temperature of the recipe. Press the green check mark to save.



8. Pressing the **Next** button will bring you to the second page where the shake/stir, alarm, if the program is active, and the filter weight can be edited.



9. Press the **Shake/Stir** time to edit the time & numer of beeps. Press the green check mark to save.



10. Press the alarm time to edit the time. Press the green check mark to save.



11. Make sure the program is active and set the filter weight (1.0-12.0 by 0.5 increments, if using global filtering).
12. When done, press the **SAVE** button to save the program.

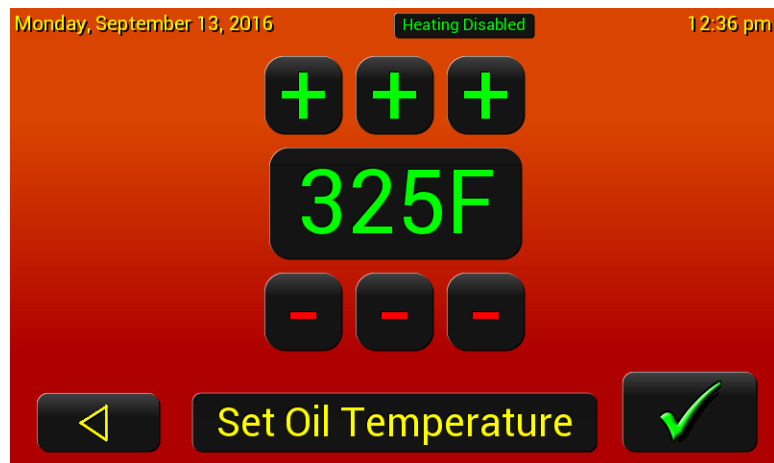


13. If you want to cancel the recipe or accidentally press the back button, the message above will display. You can save by pressing the SAVE or cancel by pressing the back arrow.

Set Oil Temp



1. Get into the supervisor menu and select the **Set Oil Temp** button



2. Set the oil temperature to the desired ready to cook temperature between 250° F and 375° F.
3. Press the green check mark to save.

Set Clock



1. Get into the supervisor menu and select the **Set Clock** button



2. Set the date & time.
3. Press the green check mark to save.

Settings



1. Get into the supervisor menu and select the **Settings** button




2. Set the Beeper Volume (Low or High), Pattern (1, 2, or 3), the Filter Lockout* can be turned off & on, the Filter Lockout Value can be set (2-20), and the Temperature Units can be set (C or F).
*The filter lockout is a global counter used to determine when to force filter. Set the total filter value in settings and then in the recipes, the weight of each recipe can be set. (i.e. Fresh breaded product can have a value of 3 and french fries a value of 1.) When the values of the recipes cooked adds up to the global value (or over), the control will require a filter.
3. Press the green check mark to save.

Frying Log



1. Get into the supervisor menu and select the **Frying Log** button




2. The frying log will record the following events:
 - Recipe Cooked with elapsed time and average temperature
 - Basic Filter with filtering time, refill time, and number of pump lockouts
 - Filter With Rinse Hose with filtering time, refill time, and number of pump lockouts
 - Boil Out with heating time
3. Press the back button  to exit.

Machine Log



4. Get into the supervisor menu and select the **Machine Log** button



5. The frying log will record the following events:
- Touchscreen Error
 - Probe Error
 - Nonvolatile Memory read, write, or data errors
 - Factory Reset
 - Touchscreen Calibration
 - Configuration Change
 - Password Error
 - Password Reset
 - Password Change
 - Recipe Saved
 - Recipes Imported
 - Recipes Exported
 - Configuration Import
 - Configuration Export
 - Frying Log Export
 - Machine Log Export
 - USB Drive read, write, and file open errors
 - Touch Configuration Change
 - Fryer Options Changed
 - Firmware Update
6. Press the back button  to exit.

Import/Export



1. Get into the supervisor menu and select the **Import/Export** button




2. Insert a USB drive.




3. Press the import/export recipes button to save the recipes to a USB or copy to the fryer.



1. To add up to 8 additional Recipe Icons, press the **Import Icons** button with the USB inserted.
2. Importable Image Requirements:
 - a. JPG images only, standard 24 bit color with any amount of image compression.
 - b. Recipe icons must be 64 pixels wide and 64 pixels tall.
 - c. The maximum file size is 54k bytes.
 - d. File names can be any combination of letters and numbers up to a maximum of 8 characters, the extension must be ".jpg". The name is case insensitive.
3. Touch the **Find Files ...** button, the controller will look through the entire USB drive and find all jpg files which are 64x64 pixels and below the maximum file size, displays the file name and image of the first file found meeting those criteria, and shows the number of files found in the **Find Files ...** button. The 8 locations to the right will now be available, locations which already have an icon stored in them will display the stored image. Use the up and down arrows to scroll through all the files the controller found until the file wanted is displayed.
4. Select the location in which they want to store the icon, they can choose any of the eight locations including those which are already in use, that location will be overwritten. The selected location button turns green and the green check button is now available. Touching the green check button stores the selected image into that location in the controller image format along with the name and size of the file and the original jpg file data so it can be exported at some other time.
5. When the import is completed the controller chirps twice indicating that it has stored that icon. Select other icon files and other icon locations and store as many of the images as desired.
6. Press the back button  to exit.



1. To copy any or all 8 Recipe Icons, press the **Export Icons** button with the USB inserted.
2. The eight buttons on the left side display all the imported user icons. Select or deselect any of the 8 images to be exported just by touching the icon buttons. Touch once to select, touch again to deselect. The **Select All** button can be used to select all imported icons.
3. Touch the green check button to export all of the selected icons with their original file names and data to the USB drive. NOTE: Files already on the flash drive which have the same name as the original files will be overwritten with the stored image data.
4. Press the back button  to exit.

Change Code



1. Get into the supervisor menu and select the **Change Code** button



2. Enter the new 4 digit access code. We recommend an easy to remember number, like the store number.
3. Press the green check mark to save.

System I/O



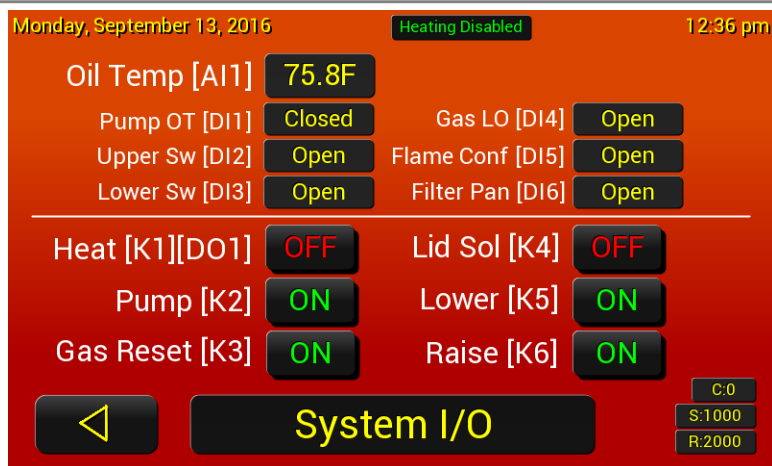
1. Enter code 5142 and then pres the green check mark to get into the technician menus.



2. Select the **MORE** button.



3. Select the **System I/O** button.



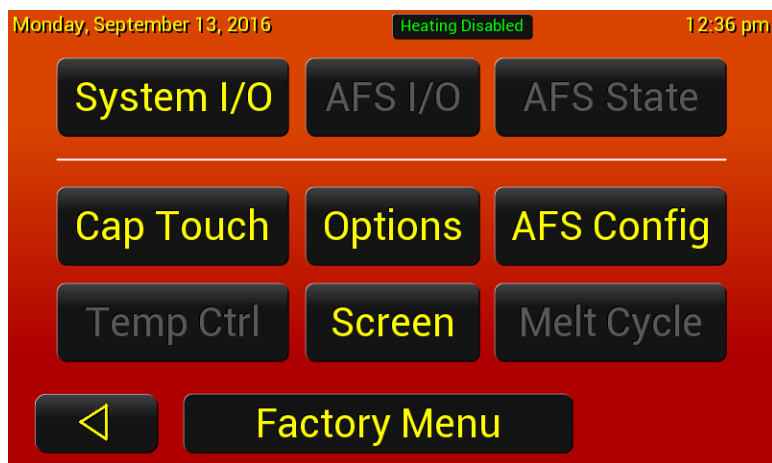
4. The **System I/O** let you see which out puts are open or closed and the oil temperature. The text in the yellow are the state of the output.

The bottom half of the screen are inputs and the individual components can be turned off and on by pressing the associated button. This can be used to aid in the troubleshooting of the components.



Do not turn on Heat [K1][DO1] without the elements being fully covered with oil or water. Damage to the elements and/or fryer may occur.

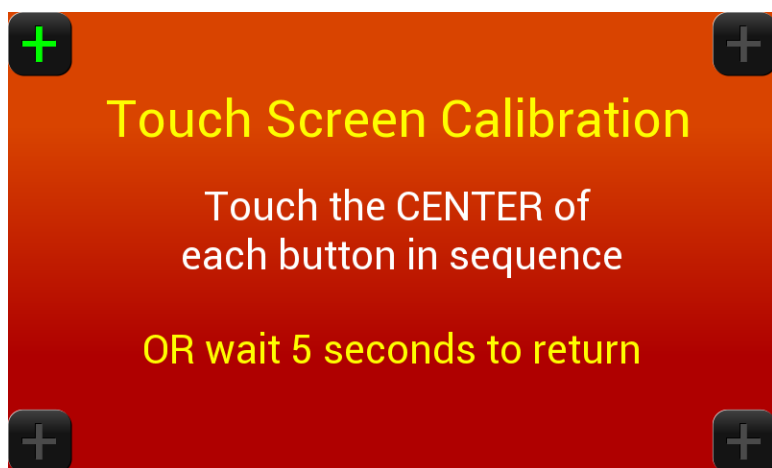
Cap Touch



1. Select the **Cap Touch** button to configure and callibrate the touch screen.

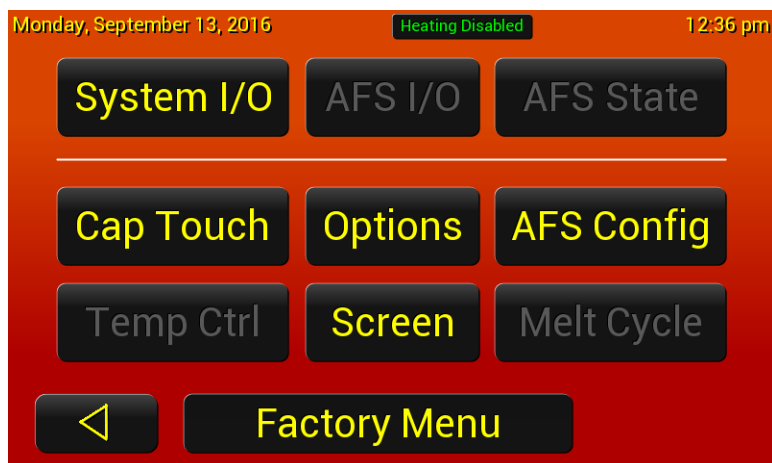


2. The screen sensitivity can be adjusted by using the +/- buttons. Also, the glass thickness can be changed to fine tune the sensitivity.

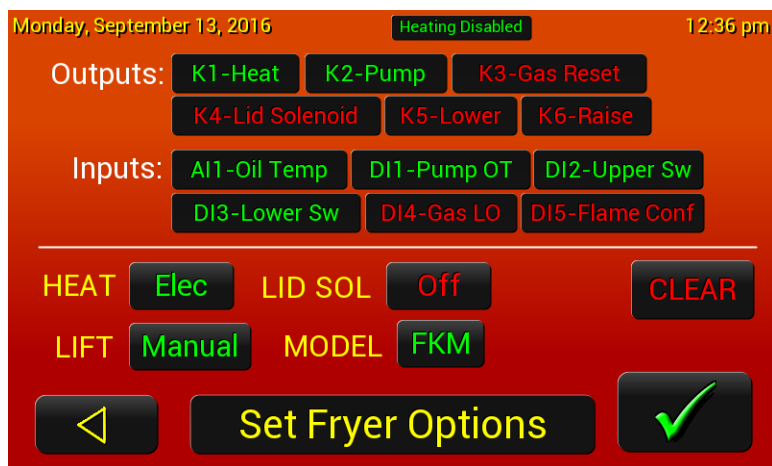


3. To calibrate the screen, press the **Calibrate Touch** button and follow the instructions on the screen.

Options



1. Select the **Options** button to configure the control for the type of fryer you have.

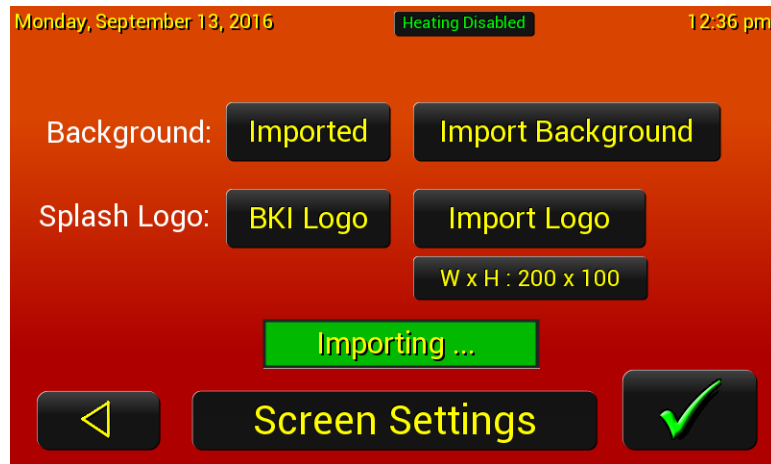


2. The “Outputs” & “Inputs” indicates what is active (green) and inactive (red).
3. Set the fryer up using the **HEAT**, **LID SOL**, **LIFT**, & **MODEL** buttons.
 - a. **HEAT**: Elec or Gas
 - b. **LID SOL**: On (pressure fryer) or Off
 - c. **LIFT**: None or Manual (lift assist) or Auto (auto lift fryer)
 - d. **MODEL**: Type in the model of fryer
4. Press the green check mark to save.

Screen



1. Select the **Screen** button to configure the background color and the splash screen logo.



2. Insert the USB flash drive containing the files if you want to import images.
3. Changing the Background - The Background button has the following options, touch the button to toggle between them and see how they look:
 - a. **BKI Image** – Displays the standard BKI background image.
 - b. **Imported** – Displays the imported image if present. Touch the [Import Background] button and the controller imports the BGROUND.RAW image and displays it. The progress bar will show the importing process.
 - c. **Black** – Displays a solid black background
 - d. **Dk Grey** – Displays a dark grey background
 - e. **Dk Red** – Displays a dark red background and screen title bar
 - f. **Dk Green** - Displays a dark green background and screen title bar
 - g. **Dk Blue** - Displays a dark blur background and screen title bar
 - h. **Gradient** – Displays an orange to red gradient background
4. Keep touching the Background button and it will wrap around to the beginning of the list.
5. Changing the Splash Logo - The Splash Logo button has the following options:
 - a. **BKI Logo** – Displays the standard BKI logo in the splash screen
 - b. **Imported** – Displays the imported logo in the splash screen

- Before importing the logo you must set the image width and height. If the width and height shown in the button below the **Import Logo** button are not correct touch the [W x H] button and the following window appears:



- Use the [+] and [-] buttons to set the image width and height and then touch the green check mark button to save the new values and return to the Screen Settings window.
- Once the image size has been set touch the **Import Logo** button and the LOGO.RAW file will be imported and stored along with the image size. The progress bar will show the importing of the file data.
- Press the green check mark to save.

Maintenance



Failure to comply with the maintenance below could result in a serious accident.

Do not over-tighten the spindle assembly. (Only tighten to hold pressure.)

Your fryer will need periodic maintenance and servicing. We strongly suggest that you use only a service company that is authorized by BKI to do this work.

The restraining device must always be connected when the appliance is in service. Disconnect for movement, such as servicing or cleaning. Reconnect the restraint when fryer has been returned to its normal position.

The FKG appliance is not intended to be cleaned with a water jet.

Scheduled Maintenance

Use the following table to help manage scheduled maintenance activities.

| FREQUENCY | PERFORMED BY | PART | ACTIVITY |
|-----------------------|------------------------------|-----------------------|---|
| Each Fry Cycle | User | Pressure Gauge | Check for proper display of cooking vat pressure. Contact authorized BKI service agent if adjustment or replacement is required. |
| | User | Lid Gasket | Check for unusual wear such as cracks and deformation, and pressure leaks. Contact authorized BKI service agent if adjustment or replacement is required. |
| Daily | User | Dead Weight Assembly | Clean weight and orifices daily and check for wear. |
| | User | Filter Pad | Replace filter pad. Refer to the procedure in this manual. |
| | User | Condensation Pan | Remove and drain. |
| | User | Filter system | Filter the shortening using the procedure in this manual. |
| Weekly | User | Safety Pop Valve | Check for release of pressure and proper seal. Refer to the procedure in this manual. |
| | User | Fryer Pot | Perform the boil-out procedure in this manual. |
| Every 6 Months | Authorized BKI service agent | Acme Screw and Nut | Check for wear on the threads. |
| | Authorized BKI service agent | Solenoid Valve | Check that the valve is holding and releasing pressure when the timer or computer activates it. |
| | Authorized BKI service agent | Hook, Catch, Spring | Check for wear and ease of operation. |
| | Authorized BKI service agent | Connections, Fittings | Check for leakage while oil is pumping. |

| FREQUENCY | PERFORMED BY | PART | ACTIVITY |
|-----------|------------------------------|--------------------------------|---|
| | Authorized BKI service agent | Fryer Pot Fittings/Connections | Check for leakage around fry pot top deck and fittings (heaters, hi-limit, thermostat, etc.). |

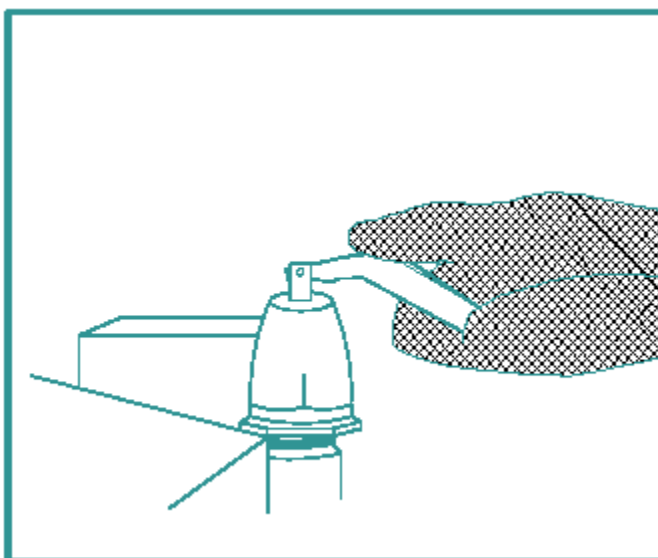
Safety Pop Valve Procedure

The safety pop valve should be blown under pressure periodically to prevent the seat from sticking.



Failure to use the insulated mitts will result in injury. Always use the insulated mitts when handling the arm on the safety valve.

1. After the pressure is up during a cooking cycle, use the insulated glove to lift the arm on the edge of the safety valve and let some steam escape. This will clean the valve.



2. Release the lever on the valve, and let it slam shut to seal the valve.

Troubleshooting

Refer to the table below for troubleshooting information.

| Problem | Cause | Possible Solution |
|--|--|---|
| Pressure Loss or Not Releasing Pressure | Dead Weight Valve Leaking | Clean the weight and orifice. If problems persist, contact an authorized BKI service agent for corrective action. |
| | Lid Gasket Leaking | Contact an authorized BKI service agent for corrective action. |
| | Solenoid Valve Leaking or Stuck | After a period of time, it is possible that the valve seat and/or plunger may stick or wear. Activate the valve by starting a cook cycle. You should hear a solid metallic CLICK sound from the solenoid valve. If you should hear no sound (or a slow BUZZING CLICK), contact an authorized BKI service agent for corrective action. |
| | Safety Valve not seating | Contact an authorized BKI service agent for corrective action. |
| Shortening Heating Too Slowly | Gas pressure is low or isn't adjusted properly | Contact an authorized BKI service agent for corrective action. |
| | Bad thermostat or loose wires | Contact an authorized BKI service agent for corrective action. |
| Filter System Not Working | Uncertain | Press the hi-limit reset button under control panel. If problems persist, contact an authorized BKI service agent for corrective action. |
| | Connections not tight | Tighten the connections. If problems persist, contact an authorized BKI service agent for corrective action. |
| | Filter valve not open | Contact an authorized BKI service agent for corrective action. |
| | Filter paper on screen clogged with crumbs | Change filter paper. If problems persist, contact an authorized BKI service agent for corrective action. |
| | Motor hums, but does not pump | Check for clogged pump. If problems persist, contact an authorized BKI service agent for corrective action. |
| | Motor and pump coupling worn | Contact an authorized BKI service agent for corrective action. |
| | No power to control panel | Make sure drain valve is completely closed. If problems persist, contact an authorized BKI service agent for corrective action. |
| Computer Hangs | Computer malfunction. | Turn the power OFF then back ON . If problems persist, contact an authorized BKI service agent for corrective action. |

Gas Alarm

If the fryer tries 3 times to light the burner without success the gas control system will lock out and a Gas Alarm will pop up on the screen. Press the green **RESET** button to reset the gas control system and try to light again. If the problem persists, contact an authorized BKI service agent for corrective action.



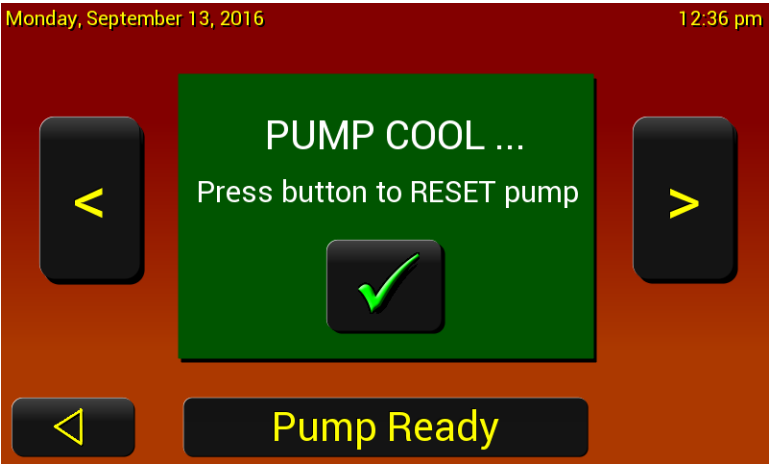
Filter Pump Reset

If the filter pump overheats a PUMP TOO HOT alert will pop up and a timer will start to count up.



Gas Pressure Fryer

Once the pump has cooled, the screen will indicate that the pump is ready. Press the green Check Mark to start the pump back up.



Replacement Parts

Use the information in this section to identify replacement parts. To order replacement parts, call your local BKI sales and service representative. Before calling, please note the serial number, model number, gas type and voltage on the rating tag affixed to the unit.

Assemblies

| Description | Assembly # | Figure # | Table # |
|-----------------------------|---|-----------------|----------|
| DEAD WEIGHT ASSEMBLY | AN19312300 | Figure 1 | Table 1 |
| SOLENOID VALVE | AN19312400 | <i>Figure 2</i> | Table 2 |
| DOOR ASSEMBLY | AB19311700 | Figure 3 | Table 3 |
| LID/TOP ASSEMBLY | SB1992S | Figure 4 | Table 4 |
| OIL VAT ASSEMBLY | AN19313000 | Figure 5 | Table 5 |
| QUICK DISCONNECT ASSEMBLY | AN19103300 SB1997S | Figure 6 | Table 6 |
| COMPONENT PANEL FKG-TC | AN19317600 | Figure 7 | Table 7 |
| FRONT PANEL FKG-TC | AB19112700 | Figure 8 | Table 8 |
| GAS SYSTEM ASSEMBLY | N/A | Figure 9 | Table 9 |
| DRAIN/MOTOR/PIPING ASSEMBLY | N/A | Figure 10 | Table 10 |

Figure 1. Dead Weight Assembly

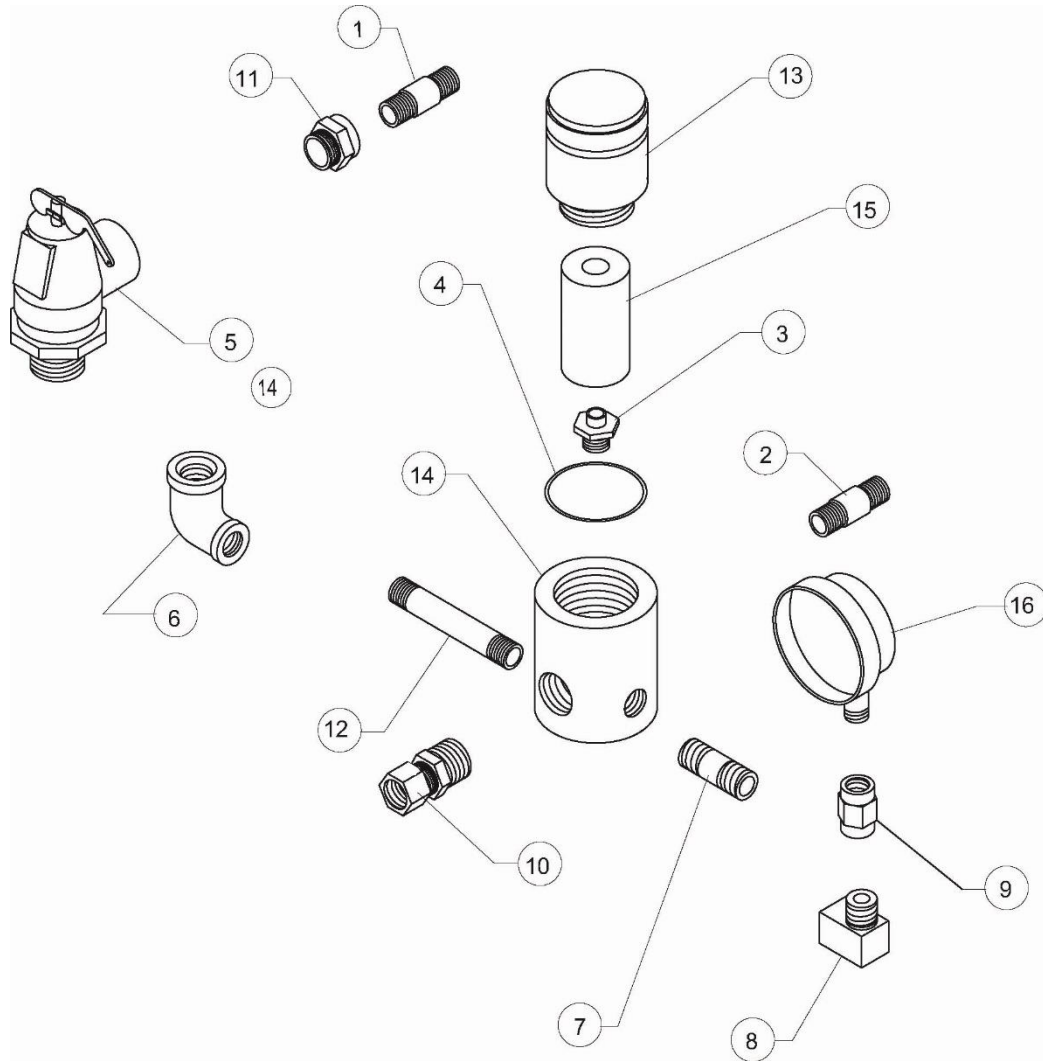


Table 1. Dead Weight Assembly Parts

| ITEM # | PART # | QTY | DESCRIPTION |
|--------|------------------------|-----|----------------------------------|
| 1 | FT0396 | 1 | PIPE, DEAD WT TO BAFFLE BOX |
| 2 | FT0414 | 1 | NIPPLE, 1/2" x 3 3/4", SS SCH 80 |
| 3 | O0001 | 1 | ORIFICE, SS |
| 4 | O0002 | 1 | GASKET, O-RING #2-222 |
| 5 | PV0001 | 1 | VALVE, POP SAFETY 1321148 |
| 6 | FT0066 | 1 | ELL, REDUCER 3/4 X 1/2 90 DEG |
| 7 | FT0235 | 1 | NIPPLE, 1/2 X C SS |
| 8 | FT0190 | 1 | ELL, STREET 1/4 90 DEG CP |
| 9 | FT0084 | 1 | COUPLING, BRASS 1/4 |
| 10 | FT0563 | 1 | FITTING, COMPRESSION 3/4" |
| 11 | FT0067 | 1 | BUSHING, C110JO 3/4 X 1/2 CP |
| 12 | FT0234 | 1 | NIPPLE, 1/4 X 1 1/2 SS 304 |
| 13 | C0657 | 1 | COVER, DEAD WEIGHT VALVE FKM |
| 14 | B0969 | 1 | BODY, DEAD WEIGHT VALVE FKM |
| 15 | W0201 | 1 | WEIGHT, VALVE FKM 12# |
| 16 | G0136 | 1 | GAUGE, PRESSURE 30 PSI |

Figure 2. Solenoid Valve Assembly

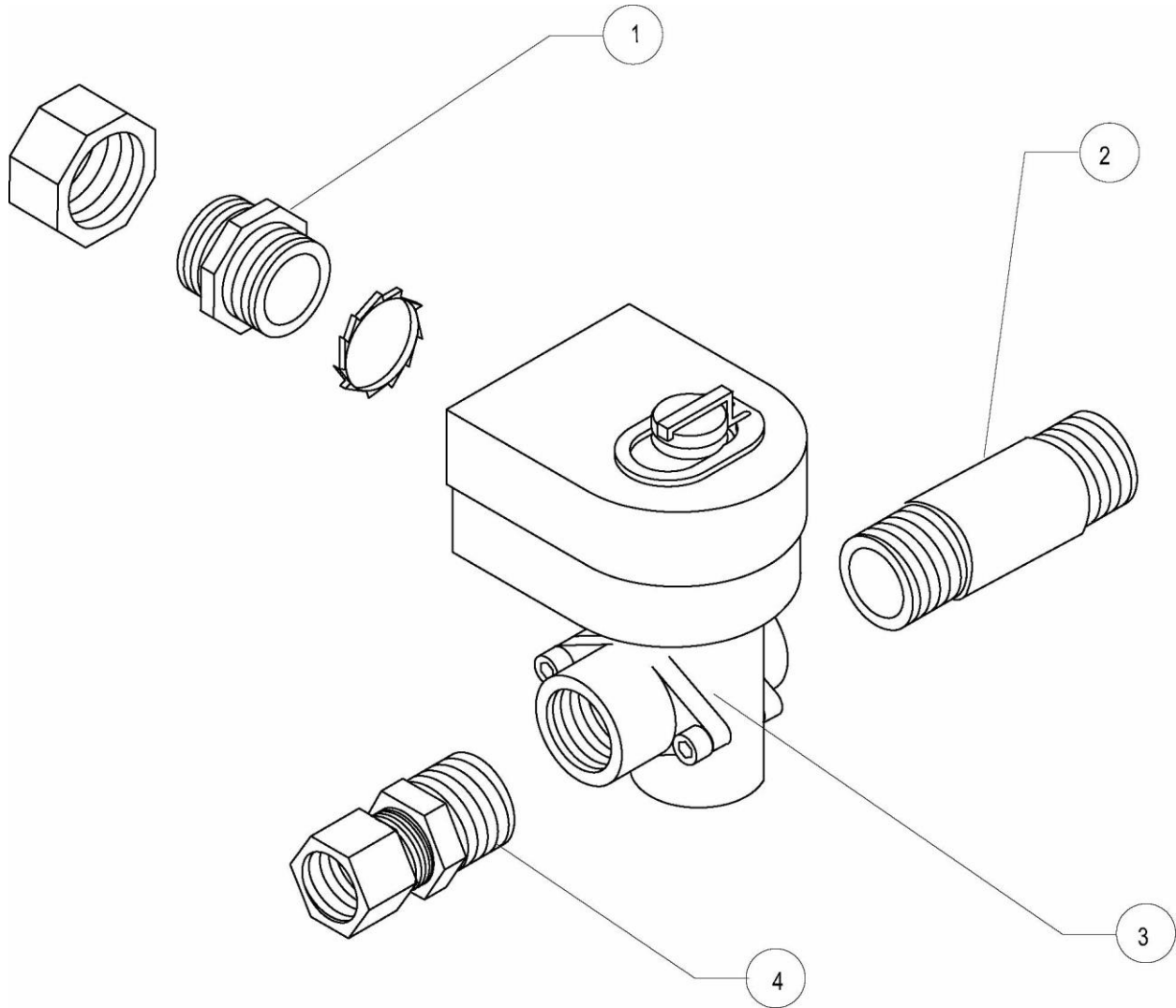


Table 2. Solenoid Valve Assembly Parts

| ITEM # | PART # | QTY | DESCRIPTION |
|--------|------------------------|-----|------------------------------------|
| 1 | FT0249 | 1 | CONNECTOR, 3/8 STR FLEX LIQUIDTITE |
| 2 | FT0414 | 1 | NIPPLE, 1/2" x 3 3/4", SS SCH 80 |
| 3 | SV0004 | 1 | VALVE, SOLENOID HV-214-761-2 120V |
| 4 | FT0563 | 1 | FITTING, COMPRESSION 3/4" |

Figure 3. Door Assembly Parts

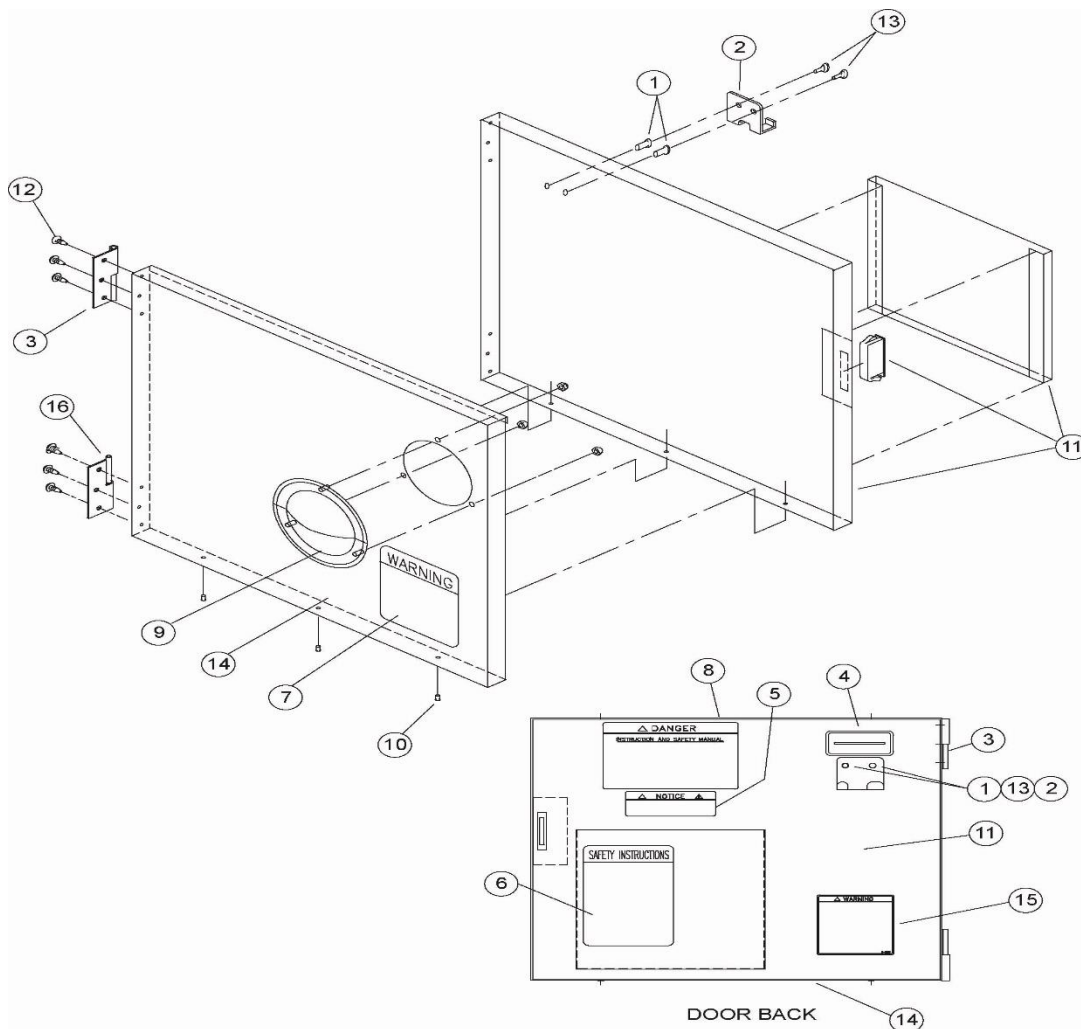


Table 3. Door Assembly Parts

| ITEM # | PART # | QTY | DESCRIPTION |
|--------|----------|-----|------------------------------------|
| 1 | F0083 | 2 | THREAD INSERT 10-24 STEEL |
| 2 | ST0013 | 1 | BRACKET, BRUSH HOLDER FKM, LPF,LGF |
| 3 | H0010 | 2 | HINGE, LH PIN HALF |
| 4 | N0059 | 1 | DECAL, SMALL BRUSH/ |
| 5 | N0165 | 1 | DECAL, NOTICE LOST MANUAL |
| 6 | N0527 | 1 | DECAL, SAFETY INSTR FRYERS |
| 7 | N0175 | 1 | DECAL, SLIPPING ADMONITIONS |
| 8 | N0176 | 1 | DECAL, INSTR & SAFETY MANUAL |
| 9 | P0022 | 1 | HANDLE, PULL SS P60-1010 |
| 10 | RIV172 | 3 | RIVET, 1/8 X 1/4 CS PLT POP |
| 11 | SB1951 | 1 | INSIDE DOOR POCKET/MAGNET WELD FKM |
| 12 | SCR008 | 6 | SCREW, 10 X 1/2 PHIL TRUSS HD |
| 13 | SCR383 | 2 | SCREW, 10-24 X 1/2" PHIL TRUSS HD |
| 14 | WFKMA178 | 1 | DOOR, FRYER OUTSIDE WELD |
| 15 | N0153 | 1 | DECAL, FKM WARNING ACME SCREW |
| 16 | H0009 | 1 | HINGE, DOOR,RH,PIN SIDE FRY.DOORS |

Figure 4. Lid/Top (sheet 1 of 4)

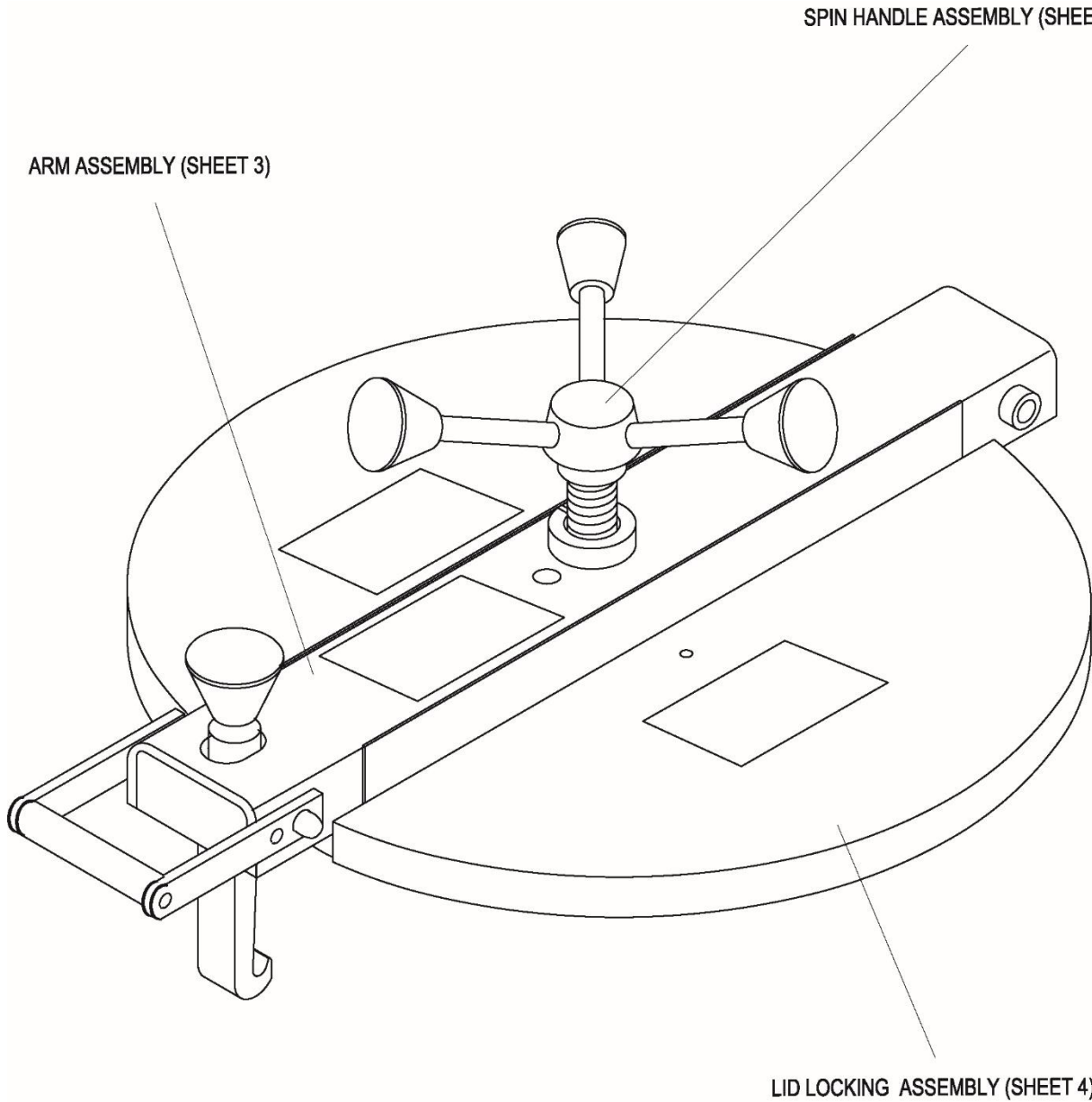
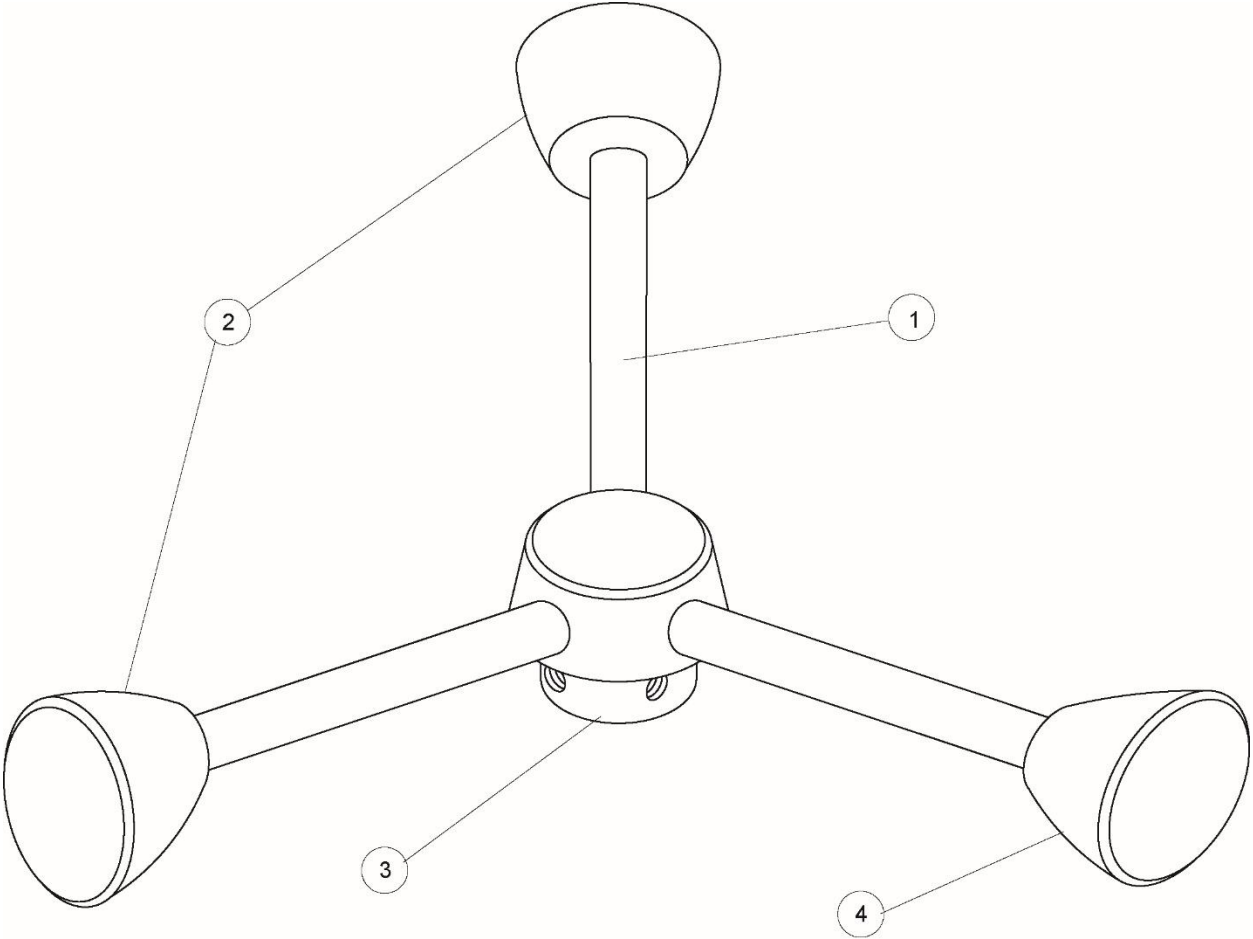


Figure 6. Lid/Top (Sheet 2 of 4)



SPIN HANDLE ASSEMBLY

Figure 6. Lid/Top (Sheet 3 of 4)

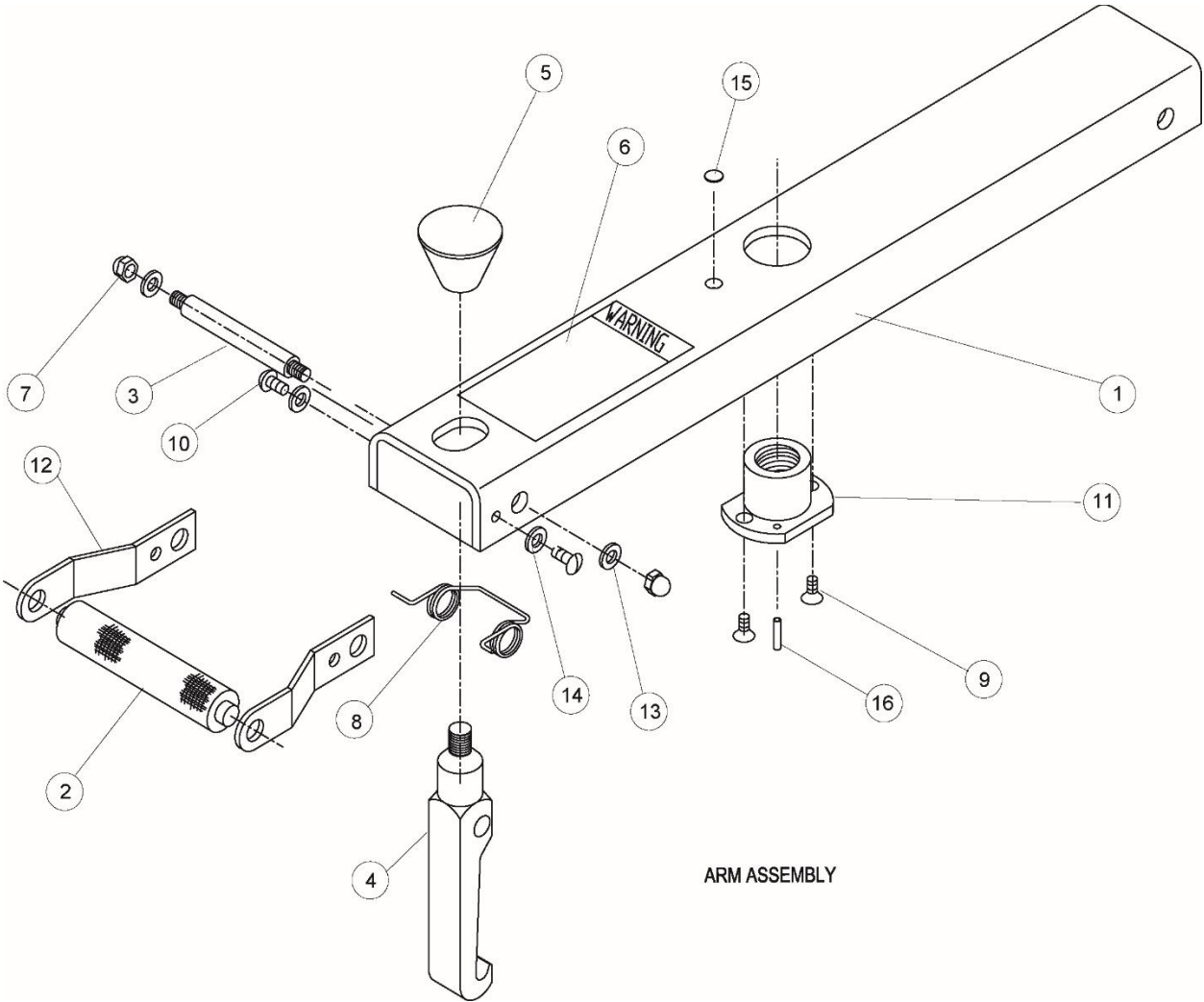


Figure 6. Lid/Top (Sheet 4 of 4)

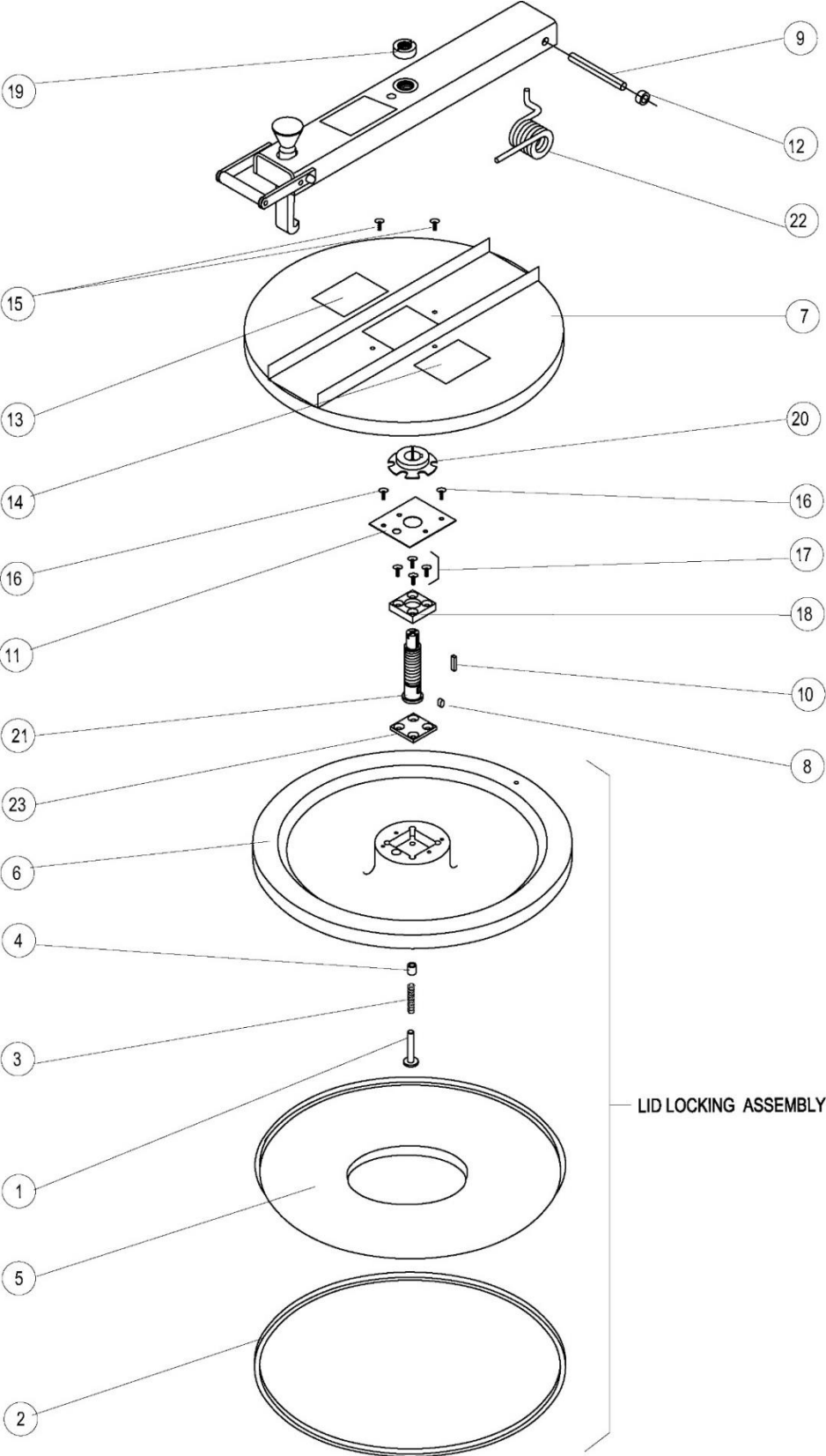


Table 4. Lid/Top Parts

| ITEM # | PART # | QTY | DESCRIPTION |
|--------------------|----------------------------|-----|---|
| Figure 6 (sheet 1) | SB1992S | | LID/TOP |
| Figure 6 (sheet 2) | SB3481 | 1 | HANDLE ASSY, SPIN |
| 1 | FT0332 | 3 | STUD, 5.5" TIGHTEN DN HN |
| 2 | K0202 | 2 | KNOB, BLACK |
| 3 | K0020 | 1 | HUB, TIGHTEN DOWN |
| 4 | K0203 | 1 | KNOB, ORANGE |
| Figure 6 (sheet 3) | AB19103900 | 1 | ARM ASSY, FKM |
| 1 | A0120 | 1 | ARM COMPLETE FKM LGF |
| 2 | H0155 | 1 | HANDLE, BLK DELRIN FKM LPF LGF |
| 3 | P0094 | 1 | PIN, HOOK FKM, LPF, LGF |
| 4 | H0024 | 1 | HOOK, LID 1018 ALLOY |
| 5 | K0203 | 1 | KNOB, ORANGE |
| 6 | N0160 | 1 | DECAL, WARNING BEFORE USING |
| 7 | NUT128 | 2 | NUT, 5/16-18 SS 18-8 CAP |
| 8 | S0091 | 1 | SPRING, HOOK LGF LPF FKM |
| 9 | SCR122 | 2 | SCREW, 1/4-20 X 1/2 FLAT HD |
| 10 | SCR259 | 2 | SCREW, 1/4-20 X 1/2 PHIL RD HD |
| 11 | TB0020 | 1 | BUSHING, BRONZE 1" |
| 12 | H0156 | 2 | HANDLE SIDE FOR H0155 FKM LPF LGF |
| 13 | WSH045 | 2 | WASHER, 5/16 LOCK ZINC PLTD |
| 14 | WSH102 | 2 | WASHER, 1/4 INT LOCK |
| 15 | FT0407 | 1 | PLUG, HOLE 3/8" SHORT PRONG |
| 16 | F0026 | 1 | ROLL PIN, 5/32 X 3/4 |
| Figure 6 (sheet 4) | SB1989 | 1 | LID LOCKING ASSY W/INSERT FKM |
| 1 | F0353 | 1 | PIN, LOCKING FKM LGF LPF |
| 2 | G0016 | 1 | GASKET, FKM LID BONDED SILICON |
| 3 | S0155 | 1 | SPRING, LOCKING PIN W/LID INSERT |
| 4 | B0857 | 1 | BUSHING, BRONZE 3/8X9/16X5/8 |
| 5 | P0115 | 1 | LID INSERT, FKM |
| 6 | FK0010 | 1 | LID, FKM CAST ALUM |
| 7 | C0674 * | 1 | LID COVER AND ARM GUIDE FKM |
| 8 | F0107 | 1 | LOCK KEY PIN, FRYERS |
| 9 | FKMA016 | 1 | PIN, HINGE |
| 10 | FKMA152 | 1 | KEY, TIGHTEN DOWN SCREW |
| 11 | FKMA201 | 1 | PLATE, TIGHTEN DOWN FKM |
| 12 | FT0049 | 2 | COLLAR, 1/2" SET BRIGHT |
| 13 | N0153 * | 1 | DECAL, FKM WARNING ACME SCREW |
| 14 | N0345 * | 1 | DECAL, HOOK LID INSTRUCTIONS |
| 15 | SCR383 | 2 | SCREW, 10-24 X 1/2" PHIL TRUSS HD |
| 16 | SCR176 | 2 | SCREW, 8-32 X 3/8 SLOT BINDING |
| 17 | SCR178 | 1 | SCREW, 5/16-18 X 1 FLAT HD |
| 18 | TB0021 | 1 | TIGHTEN DOWN BASE COLD ROLLED |
| 19 | TC0003 | 1 | COLLAR, THREADED SHAFT |
| 20 | TC0005 | 1 | COLLAR, LOCKING RING |
| 21 | TS0010 | 1 | SCREW, TIGHTEN DOWN |
| 22 | S0071 | 1 | SPRING, TORSION |
| 23 | LZ0107 | 1 | PLATE, LID FOR LOCKING DEVICE |

* - These parts constitute Lid Cover Assembly, [AN1910840S](#).

Figure 5. Oil Vat Assembly

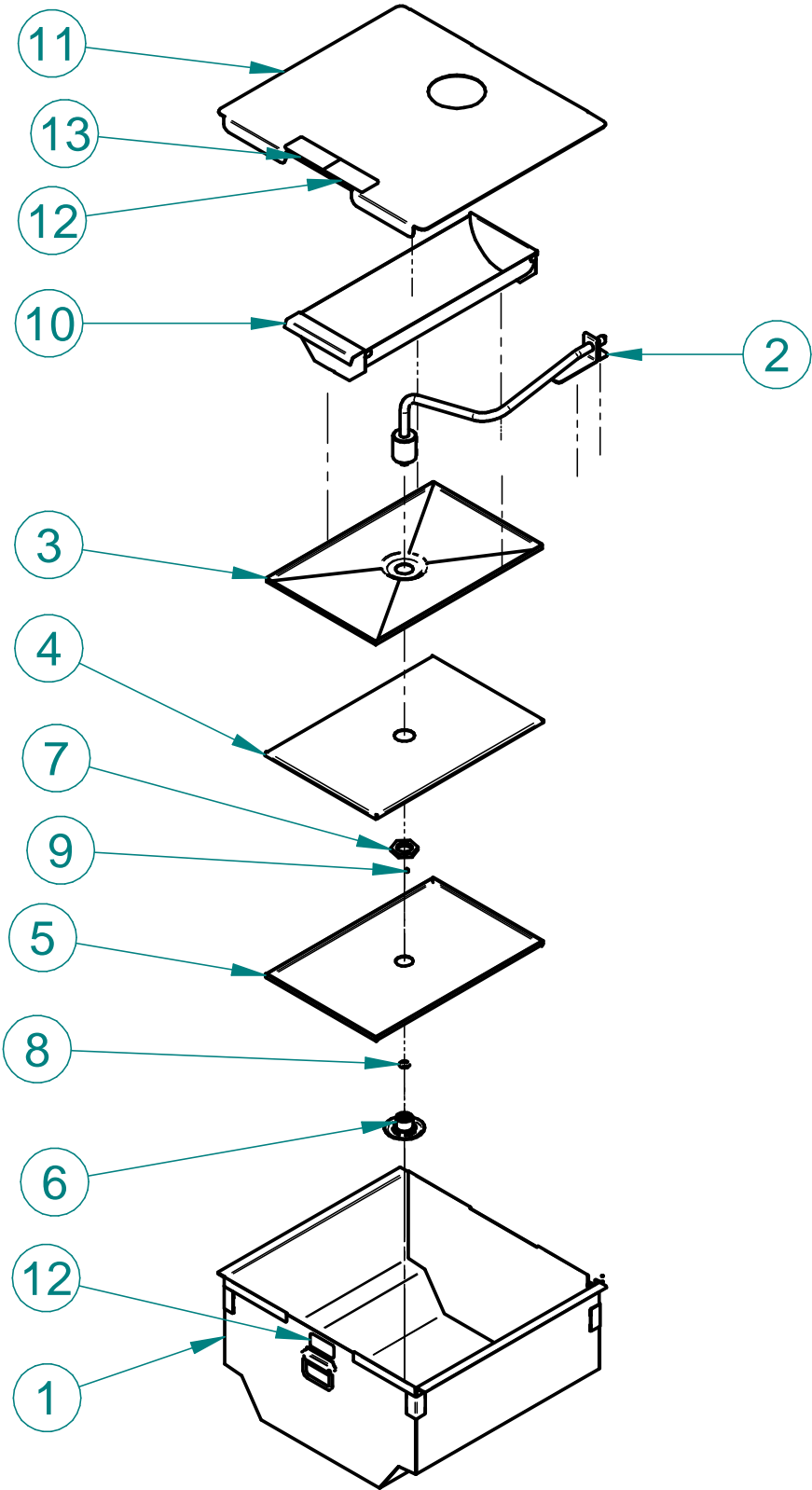


Table 5. Oil Vat Assembly Parts

| ITEM # | PART # | QTY | DESCRIPTION |
|--------|------------|-----|---------------------------------------|
| | AN19313000 | 1 | FILTER SCREEN ASSY,FKG |
| 1 | WB16010600 | 1 | WELDMENT, FILTER VAT QUICK DISCONNECT |
| 2 | WB16022100 | 1 | WELDMENT, FILTER TUBE, BLF |
| 3 | FS0002 | 1 | FILTER SCREEN, INTERCEPTOR |
| 4 | FS0003 | 1 | FILTER SCREEN, TOP |
| 5 | FS0001 | 1 | FILTER SCREEN, BOTTOM |
| 6 | SB7659 | 1 | FILTER SCREEN FITTING SPOTWELD |
| 7 | FC0004 | 1 | NUT SCREEN RETAINING FKM-F & FKM-FC |
| 8 | O0013 | 1 | O-RING, FLUOROCARBON V680-70 |
| 9 | SCR344 | 1 | SCREW, SET, SOC, 8-32 X 1/4 |
| 10 | SB7675 | 1 | CRUMB BASKET WELD, LG VAT ASSY |
| 11 | FB19312904 | 1 | COVER, FILTER VAT, SHEET METAL FRAME |
| 12 | N0395 | 1 | DECAL, VAT COVER SAFETY WARN |
| 13 | N0694 | 2 | DECAL, CAUTION, SHARP EDGES |

Figure 6. Quick Disconnect Assembly

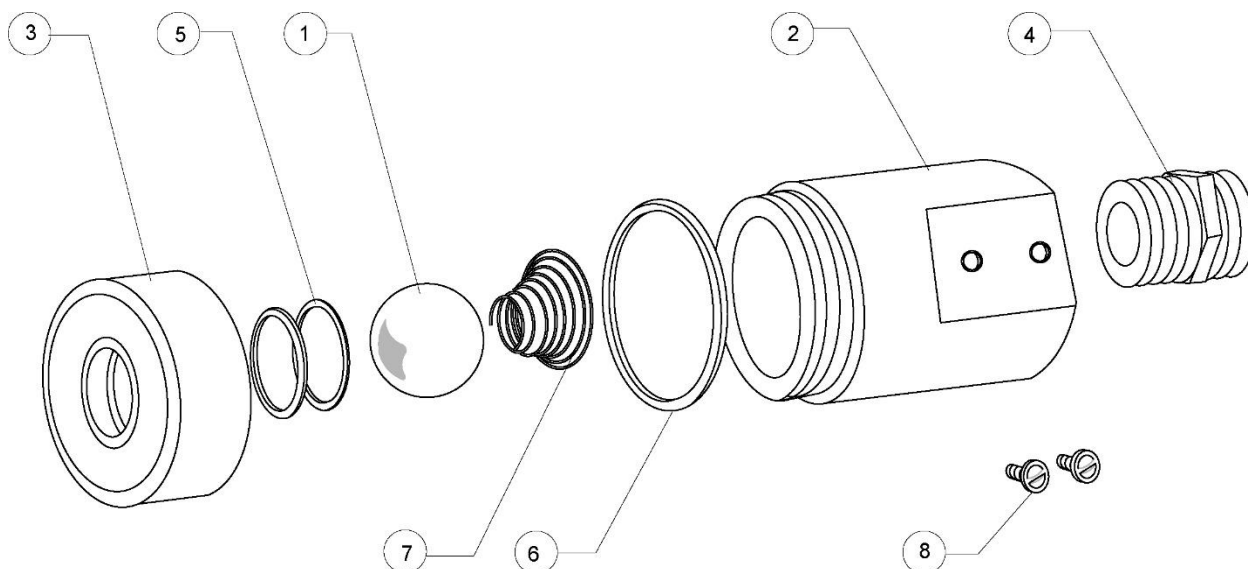


Table 6. Quick Disconnect Assembly Parts

| ITEM # | PART # | QTY | DESCRIPTION |
|--------|---------|-----|------------------------------|
| 1 | B0996 | 1 | BALL, 11/16" STEEL BEARING |
| 2 | FT0429 | 1 | QUICK DISCONNECT, PUMP SIDE |
| 3 | FT0500 | 1 | QUICK DISCONNECT, VAT SIDE |
| 4 | FT0536* | 1 | COUPLING, 5/8 45° FLARE TO |
| 5 | O0013 | 2 | O-RING, FLUOROCARBON V680-70 |
| 6 | O0014 | 1 | O-RING, PARKER #2-124 LARGE |
| 7 | S0138 | 1 | SPRING, FOR QUICK DISCONNECT |
| 8 | SCR453* | 2 | SCREW, #10 24X3/8" WASHERED |

* - Not included with SB1997S

Figure 7. Component Panel FKG-TC

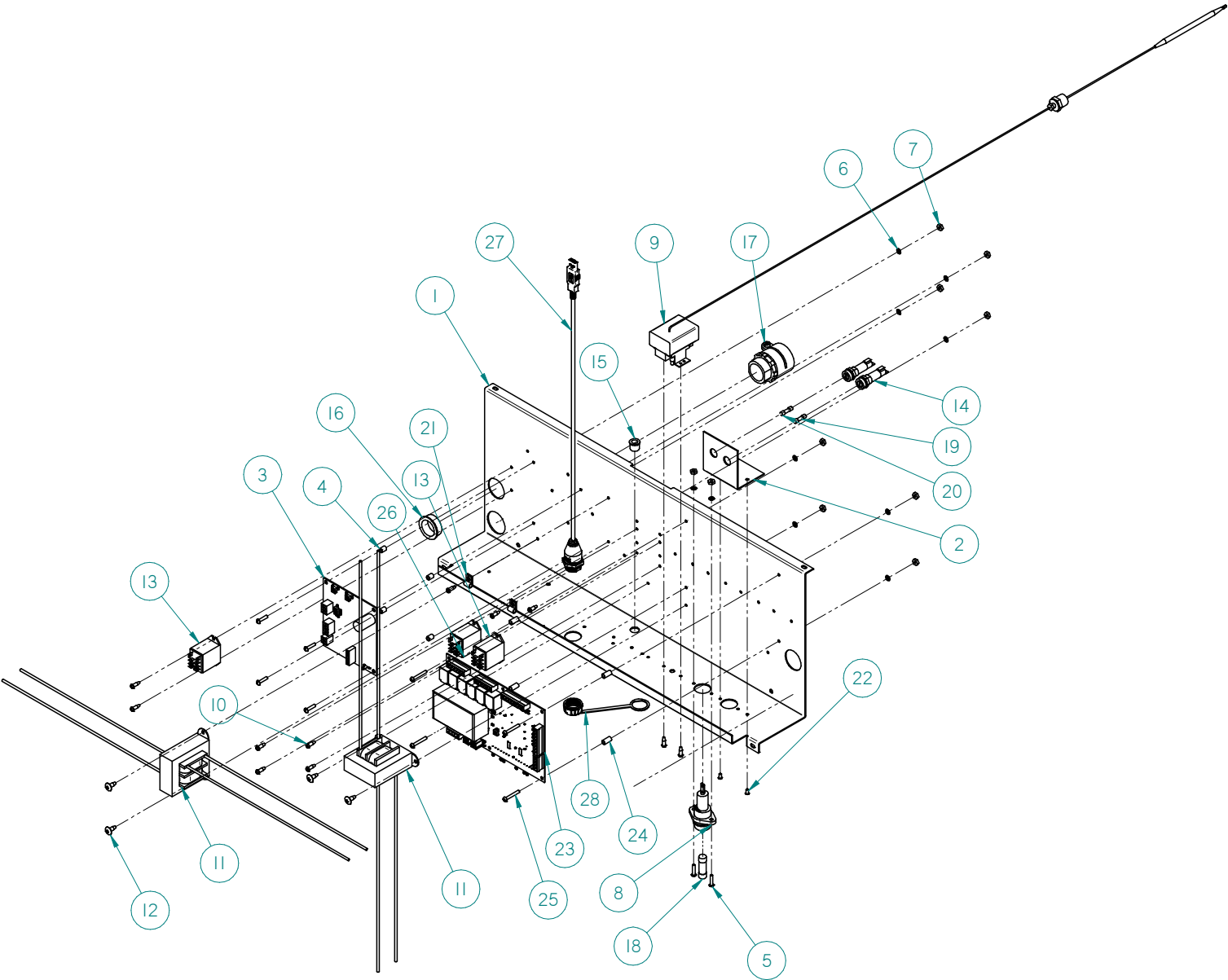


Table 7. Component Panel FKG-TC Parts

| ITEM # | PART # | QTY | DESCRIPTION |
|--------|------------|-----|--|
| 1 | FB16004210 | 1 | RELAY PANEL, BLF/FKM |
| 2 | FB16201910 | 1 | BRACKET, FUSE HOLDER, FKG/BLG |
| 3 | CP0110 | 1 | MOTOR CONTROL BOARD, COMBUSTION BLOWER |
| 4 | SP0047 | 4 | SPACER, .250 OD x .312 L x #6 ID, NYLON |
| 5 | SCR118 | 6 | SCREW, 6-32 X 5/8 SLTD RD ZINC PLATED |
| 6 | WSH089 | 10 | WASHER, #6 INT LOCK ZINC PLATED |
| 7 | NUT048 | 10 | NUT, 6-32 HEX ZINC PLTD |
| 8 | FH0001 | 1 | FUSE HOLDER, 15A 300V HPF-EE |
| 9 | T0036 | 1 | THERMOSTAT, HI LIMIT 540 DEG |
| 10 | SCR006 | 11 | SCREW, 8 X 1/2 PHIL PAN TYPE "B" NKL PLTD |
| 11 | TF0005 | 2 | TRANSFORMER, 120-24V LGF |
| 12 | SCR138 | 4 | SCREW, #10 X 1/2" PHIL TRUSS HD |
| 13 | R0196 | 2 | RELAY, DPDT 220/240V FLANGE MOUNT |
| 14 | FU004UK | 2 | FUSEHOLDER, 5 x 20 mm, PANEL MOUNT, 0.188 TAB TERMINALS |
| 15 | F0158 | 1 | BUSHING, BLK 1/2 HEYCO SNAP |
| 16 | F0154 | 1 | BUSHING, BLACK 1-3/16 HEYCO SNAP |
| 17 | FT0080 | 1 | CONNECTOR, BOX #7483, 1" |
| 18 | F0097 | 1 | FUSE, 15A 300V SC15 TIME DELAY |
| 19 | F0177 | 1 | FUSE, HOUNO 3.15A, #061417 |
| 20 | F0417 | 1 | FUSE, 5 x 20mm, 1A 250V, TIME DELAY |
| 21 | F0342 | 2 | CLAMP, CABLE 3/16" |
| 22 | RIV180 | 2 | RIVET, 1/8" SS (0.063-0.125) |
| 23 | CP0118 | 1 | BOARD, POWER RELAY, I/O |
| 24 | SP0013 | 4 | SPACER, FOR #8 X 1/2" LG. |
| 25 | SCR194 | 4 | SCREW, 6-32 X 1 SLTD RD |
| 26 | R0197 | 1 | RELAY, DPDT, 110/120V, FLANGE MOUNT |
| 27 | USB001 | 1 | CORD, USB, WATERPROOF, PANEL MOUNT, FEMALE-MALE, 0.5M LONG |
| 28 | USB002 | 1 | CAP, USB |
| 29* | MA19101700 | 1 | CONDUIT, 1" FLEX 21.50 |
| 30* | F0315 | 2 | BUSHING, CONDUIT 1" PLASTIC |
| 31* | S0063 | 1 | SPRING GUARD, 6 1/2" FRYERS |
| 32* | HF0013 | 2 | CLAMP, HOSE, #62M10 |

* Not Shown

Figure 8. Front Panel FKG-TC

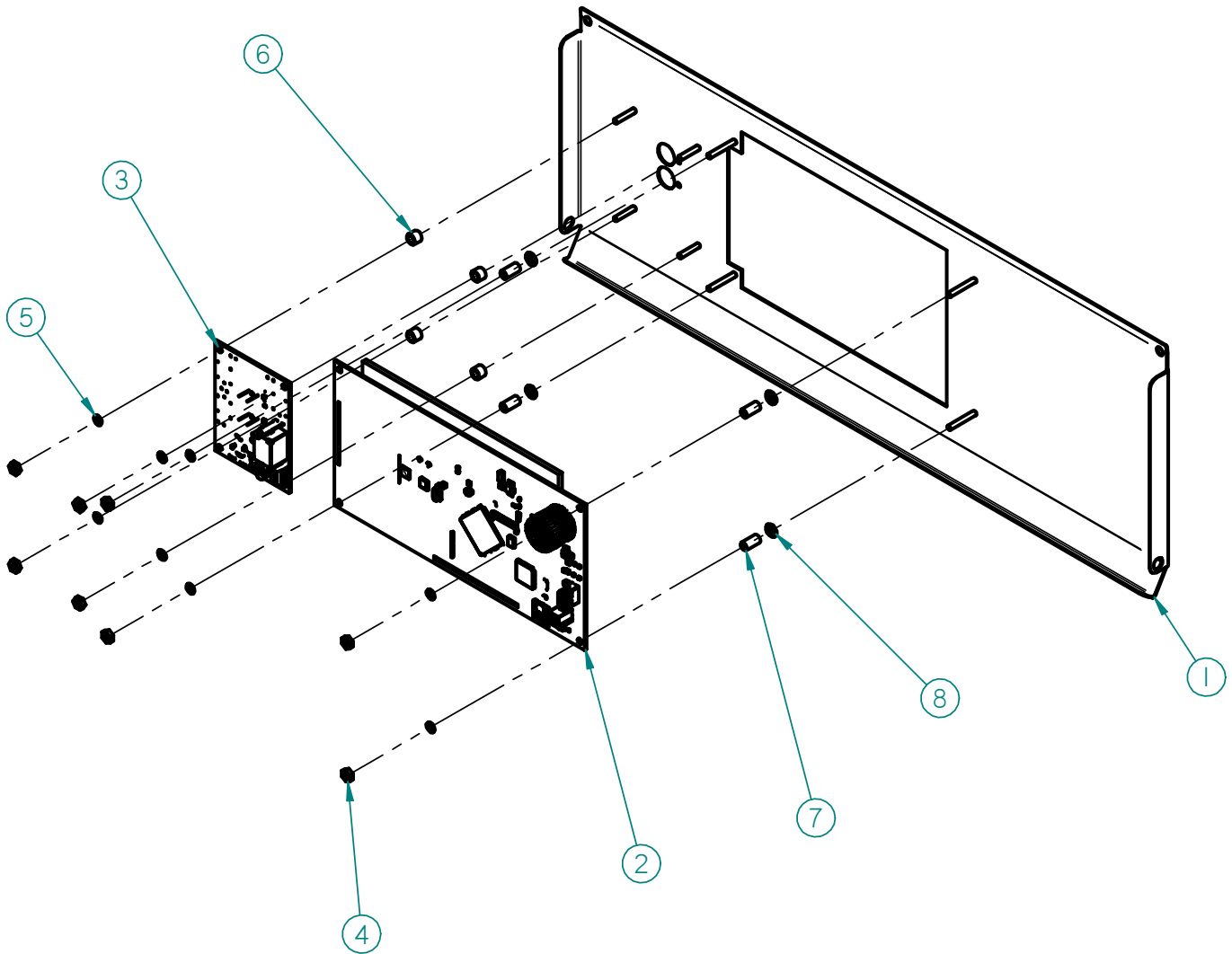


Table 8. Front Panel FKG-TC Parts

| ITEM # | PART # | QTY | DESCRIPTION |
|--------|------------|-----|--|
| 1 | FB19112600 | 1 | STUD ASSEMBLY, CONTROL PANEL, TOUCH SCREEN |
| 2 | CP0117 | 1 | CONTROLLER, TOUCH SCREEN, FRYER |
| 3 | S0712 | 1 | SWITCH, CAPACITIVE TOUCH, 2-BUTTON, ON/OFF |
| 4 | NUT048 | 8 | NUT, 6-32 HEX ZINC PLTD |
| 5 | WSH089 | 8 | WASHER, #6 INT LOCK ZINC PLATED |
| 6 | SP0052 | 4 | SPACER, 5/16 OD, 1/4 L, #10 ID ALUMINUM |
| 7 | SP0013 | 4 | SPACER, FOR #8 X 1/2" LG. |
| 8 | WSH271 | 4 | WASHER, #8 FLAT S/S |
| 9* | N0702 | 1 | DECAL, CONTROL PANEL, FRYER, TOUCH SCREEN |
| 10* | T0184 | 1 | PROBE, TEMPERATURE, 100 OHM RTD |
| 11* | FT0286 | 1 | THERMOCOUPLE FITTING W/FERRULE & NUT |
| 12* | FT0287 | 1 | BUSHING, REDUCING 3/8" x 1/8" |

* Not Shown

Figure 9. Gas System Assembly

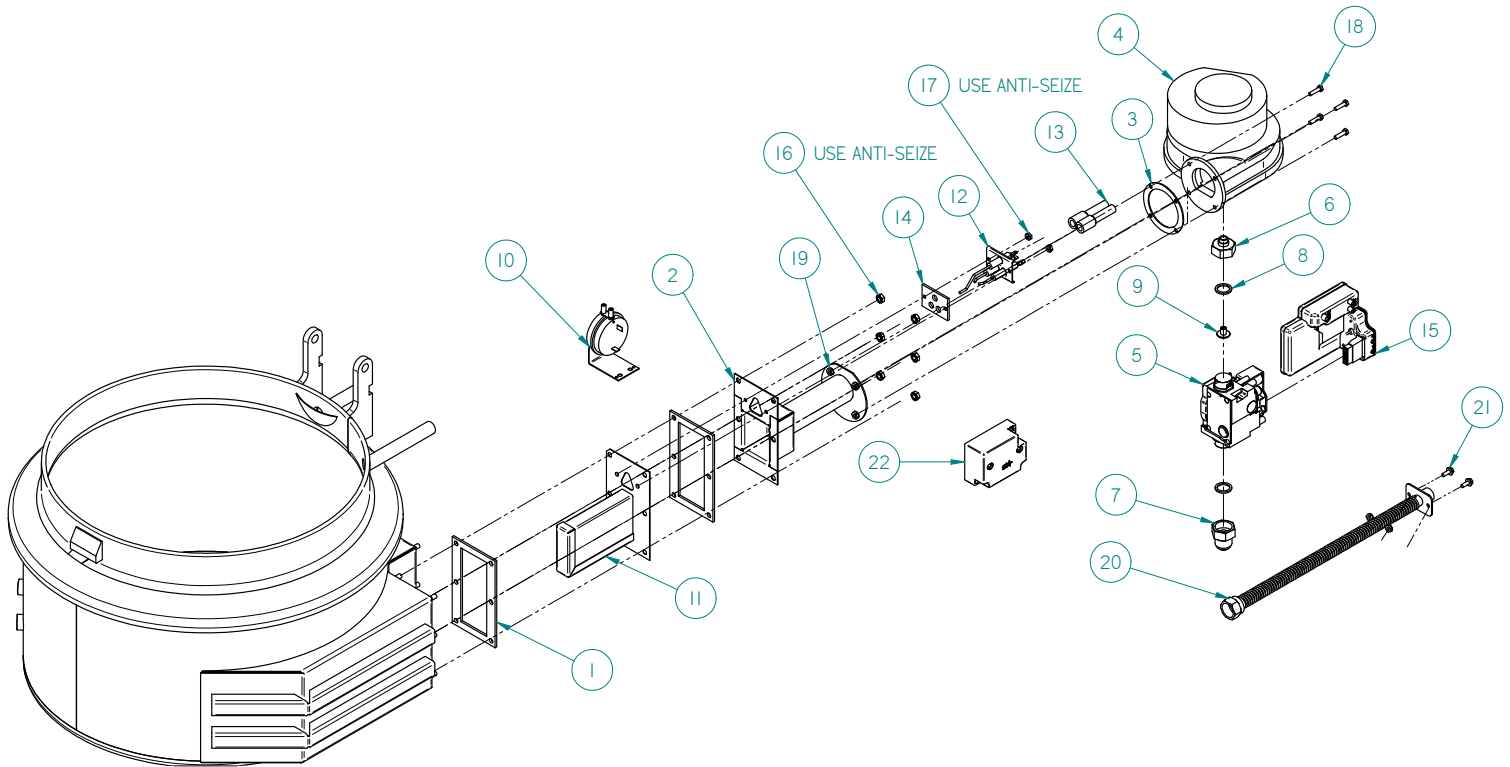


Table 9. Gas System Assembly Parts

| ITEM # | PART # | QTY | DESCRIPTION |
|--------|------------|-----|---|
| 1 | G0327 | 2 | GASKET, BURNER & FLUE, FKG/BLG |
| 2 | WB19306600 | 1 | WELDMENT, BLOWER DUCT (STRAIGHT), FKG/BLG |
| 3 | 2015768 | 1 | GASKET, COMBUSTION BLOWER |
| 4 | AB19310900 | 1 | ASSEMBLY, COMBUSTION BLOWER, FKG/BLG |
| 5 | 7020204 | 1 | VALVE, GAS, FKG/BLG |
| 6 | 2015652 | 1 | FITTING, GAS VALVE TO ORIFICE |
| 7 | 2019975 | 1 | FITTING, GAS VALVE TO GAS CONNECTION |
| 8 | 7070142 | 2 | GASKET, ALUMINUM WASHER |
| 9 | O0029 | 1 | ORIFICE, NATURAL GAS, 3.8 MM |
| | O0030 | 1 | ORIFICE, LP GAS, 3.2 MM |
| 10 | S0097 | 1 | SWITCH, VACUUM 0.14"W.C. FH |
| 11 | FB19315900 | 1 | ASSEMBLY, GAS BURNER, 5.00", FKG/BLG |
| 12 | I0511 | 1 | IGNITER, ELECTRODE |
| 13 | I0512 | 2 | INSULATOR, BOOT, STRAIGHT SPARK PLUG |
| 14 | G0328 | 1 | GASKET, IGNITER, FKG/BLG |
| 15 | 7020217 | 1 | IGNITION MODULE, IGNITION BOOST |
| 16 | WSH248 | 6 | WASHERED LOCKNUT, 1/4-20 ZINC EXTERNAL TOOTH |
| 17 | NUT276 | 2 | NUT, #8-32, KEPS, ZINC PLATED STL |
| 18 | SCR426 | 4 | SCREW, 10-24 X 3/4, HEX CAP, SS |
| 19 | NUT286 | 6 | NUT, #10-24 KEPS, ZINC PLATED STL |
| 20 | H0218 | 1 | HOSE, GAS LINE, FKG/BLG |
| 21 | SCR462 | 2 | SCREW, 10-24 x 1/2 HEX SER WSHR ZINC PLATED STEEL |
| 22 | 6041095 | 1 | TRANSFORMER, IGNITION BOOST |

Figure 10. Drain/Motor/Piping Assembly

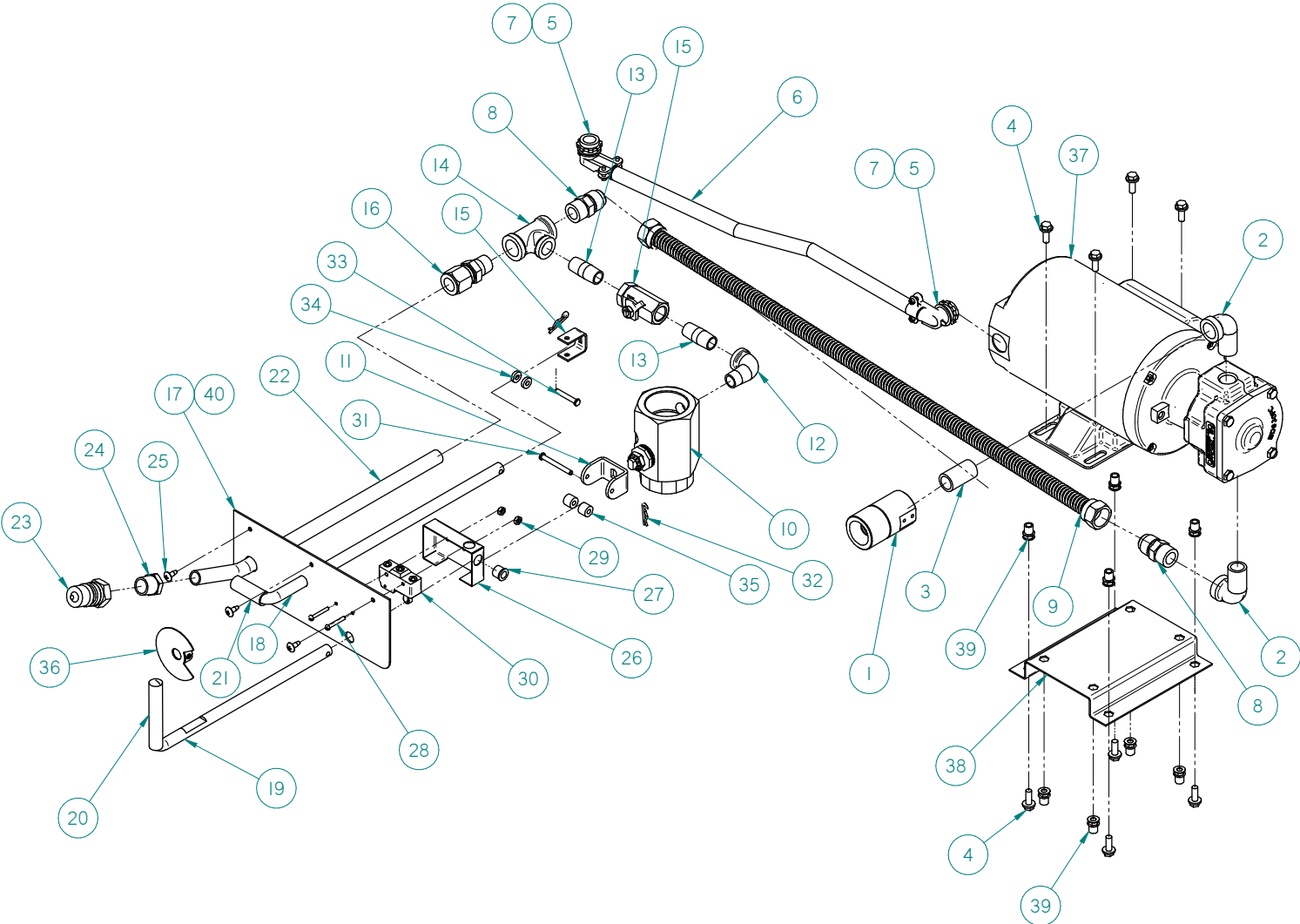


Table 10. Drain/Motor/Piping Assembly Parts

| ITEM # | PART # | QTY | DESCRIPTION |
|--------|------------|-----|--|
| 1 | AB15507900 | 1 | ASSEMBLY, PUMP DISCONNECT, FILTER VAT, FKG/BLG |
| 2 | FT0312 | 2 | ELL, STREET 1/2 90 DEG BLACK |
| 3 | FT0619 | 1 | NIPPLE, 1/2" x 1-1/2" LG, SS 304 |
| 4 | SCR463 | 8 | SCREW, 1/4-20 X 5/8, HEX SER FLNGD |
| 5 | FT0153 | 2 | CONNECTOR, BOX 3/8 X 90 |
| 6 | LPFFA035 | 1 | CONDUIT, 3/8" FLEX 17" |
| 7 | F0312 | 2 | BUSHING, CONDUIT 3/8" PLASTIC |
| 8 | FT0536 | 2 | COUPLING, 5/8" 45° FLARE TO 1/2" MPT STRAIGHT ELECTROLESS NICKEL |
| 9 | TU0206 | 1 | TUBING, 29" 1/2" ID |
| 10 | D0060 | 1 | VALVE, DRAIN, SS BALL & PLT. CAR. STEM |
| 11 | FT0543 | 1 | DRAIN VALVE BRACKET FRYERS |
| 12 | FT0044 | 1 | ELL, STREET 3/8 90 DEG, BLACK |
| 13 | FT0412 | 2 | NIPPLE, 3/8" NPT x 1 1/2" SCH 40 BLACK PIPE |
| 14 | FT0538 | 1 | TEE, 1/2" x 1/2" x 3/8", BLACK PIPE |
| 15 | SB1314 | 1 | BALL VALVE ASSY, FRYERS |
| 16 | FT0507 | 1 | CONNECTOR, MALE 10FBU-S, NICKEL PLATED 5/8" TUBE TO 1/2" NPT |
| 17 | FKMA224 | 1 | HANDLE SUPPORT PLATE FKM |
| 18 | MA19100508 | 1 | FILL VALVE HANDLE |
| 19 | H0215 | 1 | DRAIN VALVE HANDEL FKM & BLF |
| 20 | C0672 | 1 | COVER, DRAIN HANDLE RED |
| 21 | C0668 | 1 | COVER, FILL HANDLE BLACK |
| 22 | MA19100800 | 1 | TUBING, TEE TO DISCONNECT FKM |
| 23 | P0081 | 1 | PLUG, D-H4F4-SV-8, QUIK DISCONNECT |
| 24 | B0851 | 1 | BUSHING, BLACK HEX REDUCING 1/2 x 3/8 NPT 150LB |
| 25 | SCR138 | 3 | SCREW, #10 X 1/2" PHIL TRUSS HD |
| 26 | LZ0130 | 1 | COVER, MICROSWITCH FKM & BLF |
| 27 | F0158 | 1 | BUSHING, BLK 1/2 HEYCO SNAP |
| 28 | SCR194 | 2 | SCREW, 6-32 x 1" RND HD, ZINC SLOTTED |
| 29 | NUT253 | 2 | NUT, 6-32 S/S 18-8 NYLON |
| 30 | S0054 | 1 | SWITCH, MICRO BZ-2RW822-A2 |
| 31 | F0253 | 1 | PIN, CLEVIS, 3/16 x 1 3/4 |
| 32 | F0254 | 2 | PIN, COTTER HAIRPIN #213 .080 WIRE DIA |
| 33 | F0255 | 1 | PIN, CLEVIS, 3/16 x 1-1/4 |
| 34 | SP0014 | 2 | SPACER, ALUM .5 X .125 |
| 35 | SP0034 | 2 | SPACER, DRAIN VALVE BRKT FRYERS |
| 36 | WB19315400 | 1 | WELDMENT, FILL HANDLE INDICATOR |
| 37 | M0121 | 1 | MOTOR W/PUMP, 115-208/230/50-60Hz |
| 38 | FB19313405 | 1 | BRACKET, PUMP MOTOR MOUNT, FKG/BLG |
| 39 | F0140 | 8 | AVK, HEX INSERT, 1/4"-20 |
| 40 | N0695 | 1 | DECAL, DRAIN HANDLE PLATE, FKM |

Components

| Description | Component # | Figure # | Item # |
|--|-------------|-----------|--------|
| ARM ADJUSTABLE STOP /FKM | A0101 | Figure 11 | 1 |
| CASTER, SWIVEL, W/TOP PLATE 5" W/BRAKE | C0406 | Figure 11 | 2 |
| BAFFLE BOX ASSEMBLY | AN19302600 | Figure 11 | 3 |
| CONDENSATION PAN WELDMENT | WB19311100 | Figure 11 | 4 |
| DRAIN PIPE, CONDENSATE FKM | MB19310600 | Figure 11 | 5 |
| FILTER BAG CLIP FKM-F | ST0015 | Figure 11 | 6 |
| COLLAR, 1/2" SET BRIGHT | FT0049 | Figure 11 | 7 |
| SLIDE, UHMW U-SHAPE .5 X 1/8ID | S0106 | Figure 11 | 8 |
| SIDE CABINET, L&R FKM/DNF | FKMA399 | Figure 11 | 9 |
| HINGE, SLIP WING RH | H0051 | Figure 11 | 10 |
| HINGE, SLIP WING LH | H0052 | Figure 11 | 11 |
| PROBE, TEMPERATURE, 100 OHM RTD | T0184 | Figure 11 | 12 |
| THERMOCOUPLE FITTING W/FERRULE & NUT | FT0287 | Figure 11 | 13 |
| BUSHING, REDUCING 3/8" x 1/8" | FT0286 | Figure 11 | 14 |

Figure 11. Components



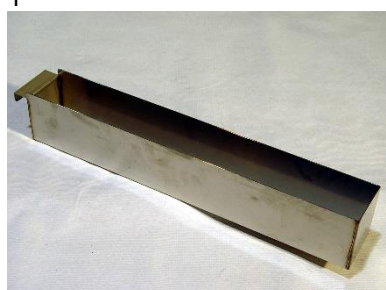
1



2



3



4



5



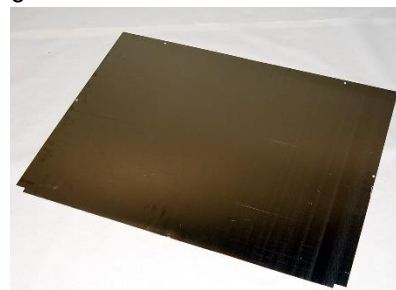
6



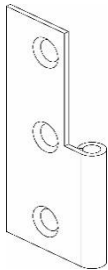
7



8



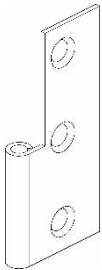
9



10



13



11



14



12

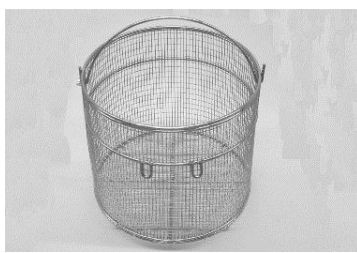
Accessories

| Description | Accessory # | Figure # | Item # |
|--|-------------|-----------|--------|
| BASKET, LARGE FKM BAIL HANDLE | B0114 | Figure 12 | 1 |
| BASKET, FKM, (GRANDE) | B0128 | Figure 12 | 2 |
| BRUSH, DRAIN (LONG WHITE) | B0075 | Figure 12 | 3 |
| BRUSH, L TIPPED 40152 | B0063 | Figure 12 | 4 |
| BRUSH, LONG #5702 | B0051 | Figure 12 | 5 |
| BRUSH, SHORT #6175 | B0052 | Figure 12 | 6 |
| FILTER HOSE, FEMALE SOCKET | SB2332 | Figure 12 | 7 |
| FILTER VAT DOLLY FKM-F | SB7650 | Figure 12 | 8 |
| BRUSH, POT SCRUBBER, WHITE | B0049 | Figure 12 | 9 |
| BRUSH, POT SCRUBBER, HIGH TEMP., WHITE | B1102 | Figure 12 | 9 |
| POT STIR STICK FOR 75# BLF | P0149 | Figure 12 | 10 |
| RESTRAINT | FT0279 | Figure 12 | 11 |
| GLOVE, NEOPRENE | G0089 | Figure 12 | 12 |
| FILTER, FKM-F 13.5 X 20.5 | FI0007 | Figure 12 | 13 |
| CLEANER, FRYER, OSG BOIL OUT COMPOUND | LC0006 | Figure 12 | 14 |

Figure 12. Accessories



1



2



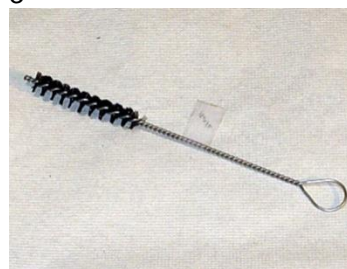
3



4



5



6



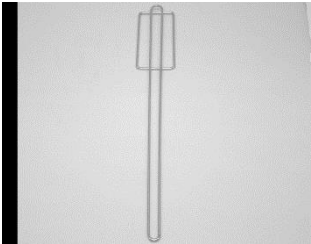
7



8



9



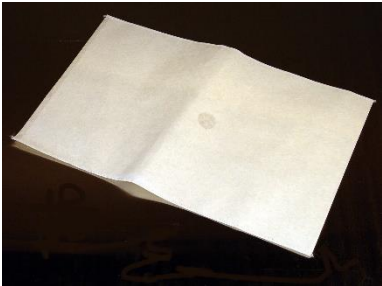
10



11



12

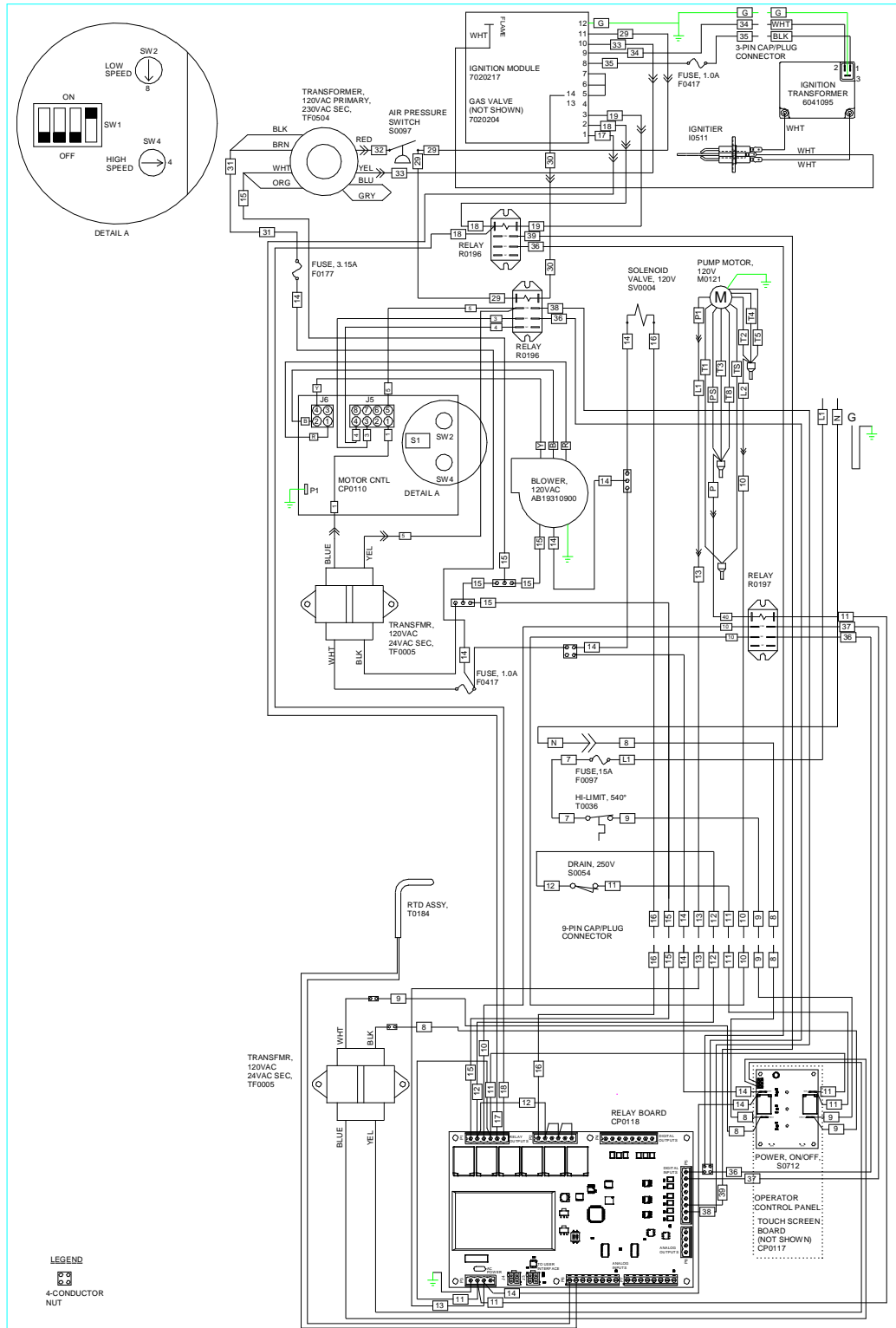


13



14

Wiring Diagram



LEGEND
 4-CONDUCTOR NUT

| | | | | | | |
|----------------------------|--------------------------|-----------------------|--------------------|-------------------------|---------------------------|---|
| MODEL No. FKG-TC | | VOLTAGE 120 | AMPS 5.0 | KILOWATTS 0.6 | BREAKER SIZE 15 | |
| PHASE 1 | No. OF WIRES 3 | | | | | |
| DRAWN BY JDS | DATE 06/26/17 | | | | | REV. No. TYPE SIZE DRAWING No. 02 - ECO 18-009 S B 19390300 |

Notes



2812 Grandview Dr., Simpsonville, S.C. 29680, USA
<http://www.bkideas.com>

Made and printed in the U.S.A

CS-TM-049.01

Revised 05/04/2018