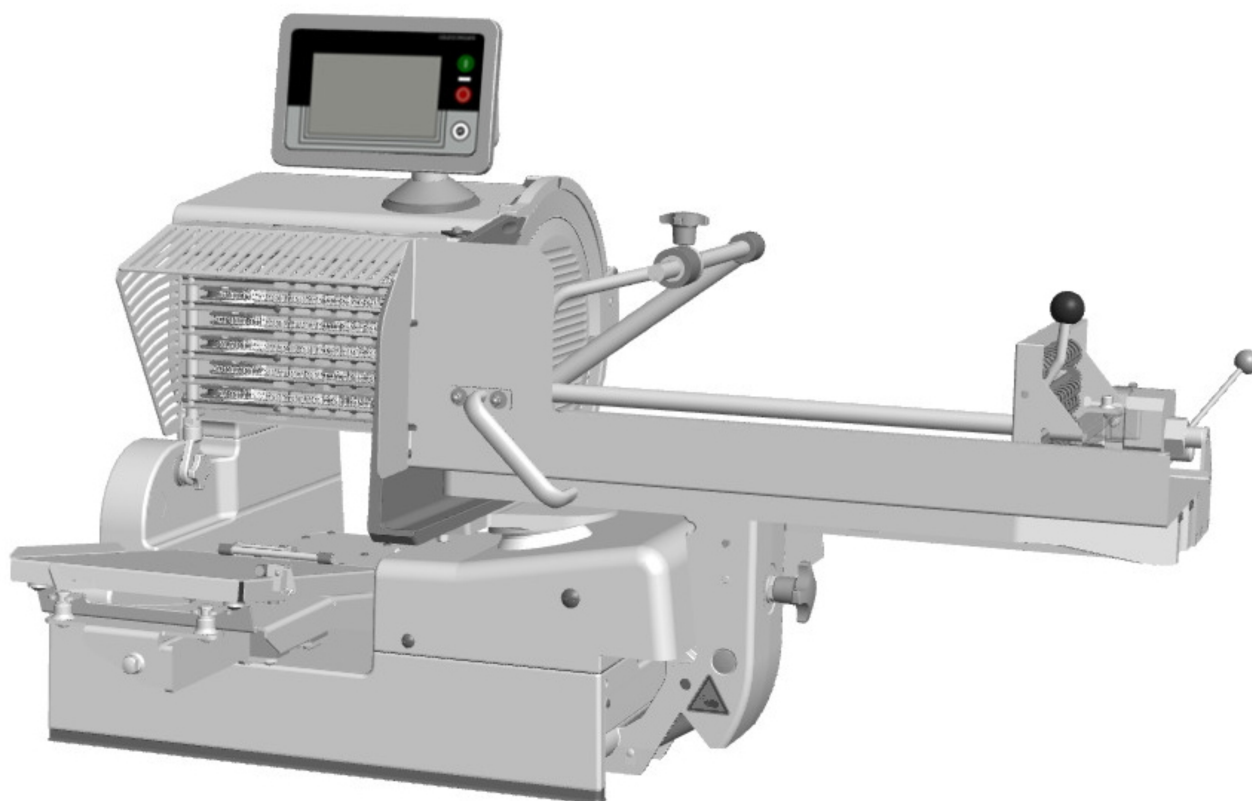


Spare parts list

VSI W



Bizerba SE & Co. KG

Business Services

STS-T, Didactics & Documentation

Wilhelm-Kraut-Straße 65

72336 Balingen

T +49 7433 12-0

F +49 7433 12-2696

service@bizerba.com

www.bizerba.com

Contents

10	Voltage type
16	Power Supply 220-240V cpl
18	Prog.+PCBA VSI Power Supply 230V + therm
20	Power Supply 100-120V cpl
22	Prog.+PCBA VSI Power Supply 120V + therm
24	Power Supply 100V cpl
26	Prog.+PCBA VSI Power Supply 120V + therm
28	Machine housing
38	Housing W Dt
40	Drive Housing Dt cpl
44	Cover prem
46	Cover Drivehousing prem
48	Machine Housing cpl.
50	Connector ribbon cable
52	Motor Tower W Dt cpl
54	Cover Motor Tower prem
56	Cover Motor Tower
58	Cable set standard
60	Carry Handles Set VSI
62	Screw Plug Machine Housing cpl
64	Screw Plug Drive Housing cpl
66	Covering Cap Set Carry Handles
68	Installations
72	Setup VSI w. Service Cover cpl.
74	Setup w. Service Cover preass.
76	Service Cover prem.
78	Setup VSI cpl.
80	Setup preass.
82	Blade drive
86	Blade Drive VSI cpl
88	Blade bearing cpl
90	Motor cpl
92	Blade Drive one-piece VSI cpl.
94	Blade Bearing one-piece cpl.
96	Motor cpl
98	Blades
110	Blades + blade changing device
120	Blade removal device 330 V2A
122	Blade Removal Device preassembled
124	Cover preassembled
126	Blade cover
130	Blade cover cpl.
132	Blade cover cpl. C
134	Blade guard ring+deflector
138	Blade Guard Ring cpl
140	Blade Guard Ring preass

Contents

142	Deflector preass
144	Gauge plate drive
146	Gauge plate drive VSI cpl
152	Bearing bracket cpl
158	adjusting ring 18mm
160	Beam preass
162	Gauge plate
166	Carriage drive
170	Carriage drive cpl
172	Guide roller cpl
174	Carriage Drive cpl.
176	Guide roller cpl
178	Carriages 400
180	Carriage stroke 240mm up to 11540649
184	Carriage 400
186	Carriage 400 cpl
190	Feed Spindle ass.
192	Carriage Plate 400 preass
194	Product Holder non folding NSF cpl
196	Product Holder Guide NSF cpl
198	Bolt NSF cpl
200	Product holder ass.
202	Product Supporter top cpl
204	HOULDING DOWN DEVICE ASS.
206	Carriage Foot high cpl
208	Carriage 400 NSF
210	Carriage 400 cpl
214	Feed Spindle ass.
216	Carriage Plate 400 preass
218	Product Holder non folding NSF cpl
220	Product Holder Guide NSF cpl
222	Bolt NSF cpl
224	Product holder ass.
226	Product Supporter top NSF cpl
228	HOULDING DOWN DEVICE ASS.
230	Carriage Foot high cpl
232	Carriage stroke 270mm as from 11540650
240	Carriage 400 NSF
242	Carriage 400 cpl
248	feed spindle ass.
250	Carriage Plate 400 preass
252	Product Holder non folding NSF cpl
254	Product Holder Guide NSF cpl
256	Bolt NSF cpl
258	Product Holder cpl. VSI
260	Product Supporter top NSF cpl

Contents

262	HOULDING DOWN DEVICE ASS.
264	Carriage Foot high cpl
266	Carriage 400 NSF
268	Carriage 400 cpl
274	feed spindle ass.
276	Carriage Plate 400 preass
278	Product Supporter top NSF cpl
280	Carriage Foot high cpl.
282	Product Holder cpl. VSI
284	Product Holder Guide NSF cpl
286	Bolt NSF cpl
288	Holder preassembled
290	Holding Down Device ass.
294	Carriage 400 with Peaks
296	Carriage 400 cpl
302	feed spindle ass.
304	Carriage Plate 400 preass
306	Product Holder folding upwards cpl
308	Product Holder folding upwards preass
314	Bolt cpl
316	Lever compl for the Product Holder
318	product supporting plate ass.
320	Product holder ass.
322	Product Supporter horizontal cpl
324	Carriage Foot low cpl
326	Carriage 400 with Peaks
328	Carriage 400 cpl
334	feed spindle ass.
336	Carriage Plate 400 preass
338	Product Supporter horizontal cpl
340	Carriage Foot low cpl.
342	Product Holder folding upwards preass.
346	Bolt cpl
348	Lever compl for the Product Holder
350	Product holder ass.
352	product supporting plate ass.
354	Carriages 600
356	Carriage stroke 240mm up to 11540649
360	Carriage 600 NSF
362	Carriage 600 cpl.
366	Feed Spindle ass.
368	Carriage Plate Template preass
370	Product Holder non folding NSF cpl
372	Product Holder Guide NSF cpl
374	Bolt NSF cpl
376	Product holder ass.

Contents

378	Product Supporter top NSF cpl
380	HOULDING DOWN DEVICE ASS.
382	Carriage Foot high cpl
384	Carriage 600
386	Carriage 600 cpl.
390	Feed Spindle ass.
392	Carriage Plate Template preass
394	Product Holder non folding NSF cpl
396	Product Holder Guide NSF cpl
398	Bolt NSF cpl
400	Product holder ass.
402	Product Supporter top cpl
404	HOULDING DOWN DEVICE ASS.
406	Carriage Foot high cpl
408	Carriage stroke 270mm as from 11540650
416	Carriage 600 NSF
418	Carriage 600 cpl.
422	Feedspindle 721xTR20X12 ass.
424	Carriage Plate Template preass
426	Product Holder non folding NSF cpl
428	Product Holder Guide NSF cpl
430	Bolt NSF cpl
432	Product Holder cpl. VSI
434	Product Supporter top NSF cpl
436	HOULDING DOWN DEVICE ASS.
438	Carriage Foot high cpl
440	Carriage 600 NSF
442	Carriage 600 cpl.
446	Feedspindle 721xTR20X12 ass.
448	Carriage Plate Template preass
450	Product Supporter top NSF cpl
452	Carriage Foot high cpl.
454	Product Holder cpl. VSI
456	Product Holder Guide NSF cpl
458	Bolt NSF cpl
460	Holder preassembled
462	Holding Down Device ass.
466	Carriage 600 template
468	Carriage 600 cpl.
472	Feedspindle 721xTR20X12 ass.
474	Carriage Plate Template preass
476	Product Holder Template cpl
478	Product Holder Guide NSF cpl
480	Bolt NSF cpl
482	Product Holder cpl. Carriage guide ruler
484	Product Supporter top NSF cpl

Contents

486	HOULDING DOWN DEVICE ASS.
488	Carriage Foot high cpl
490	metal sheet insert cpl mach
492	Metal Sheet Insert cpl.
494	Carriage 600 template
496	Carriage 600 cpl.
500	Feedspindle 721xTR20X12 ass.
502	Carriage Plate Template preass
504	Product Supporter top NSF cpl
506	Carriage Foot high cpl.
508	metal sheet insert cpl mach
510	Metal Sheet Insert cpl.
512	Holding Down Device ass.
516	Product Holder cpl. Carriage guide ruler
518	Product Holder Guide NSF cpl
520	Bolt NSF cpl
522	Holder preassembled
524	Carriage guide
528	Carriage guide cpl.
530	Carriage Guide preass
532	Cover preass.
534	Carriage Guide cpl.
536	Carriage Guide preass.
542	Cover preass.
544	Table
552	Table Mounting Scale cpl
554	Housing with Frame Scale preass
556	Belt Housing cpl
558	Bushing preass
560	Lever cpl
562	Guide cpl
564	Tightening Roll cpl
566	Frame Scale cpl
568	Support cpl
570	Table Drive cpl
572	Cover preass
574	Table Mounting Scale cpl
576	Housing with Frame Scale preass
578	Belt Housing cpl
580	Bushing preass
582	Lever cpl
584	Guide cpl
586	Tightening Roll cpl
588	Frame Scale cpl
590	Support cpl
592	Table Drive cpl

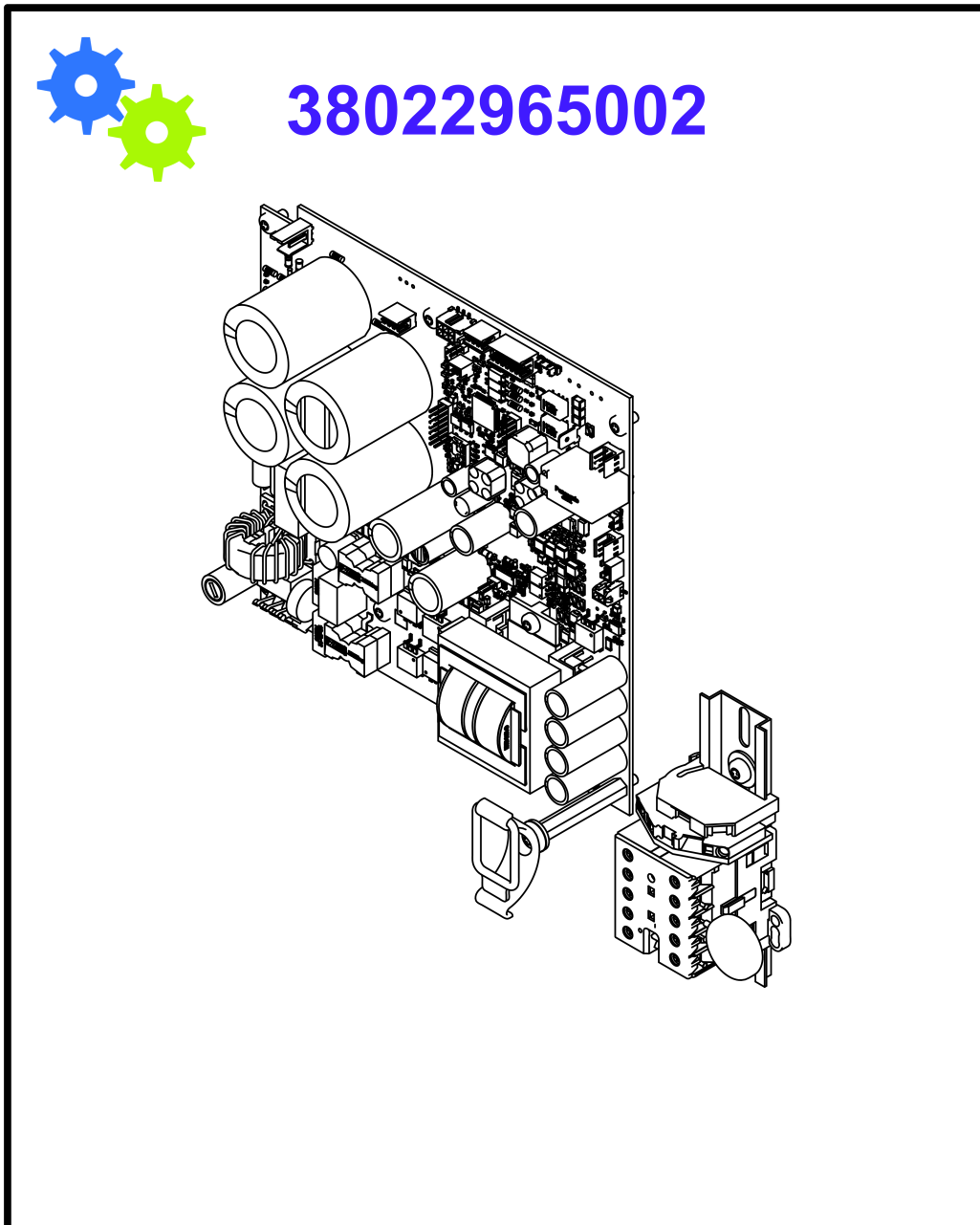
Contents

594	Cover preass
596	Deposition Table compl. VSI
598	Paper Holder short cpl
600	Paper Holder long cpl
602	Chain frame drive
606	Drive Chainframe cpl
608	Chain Drive Shaft cpl
610	Drive Chainframe cpl
612	Chain Drive Shaft cpl
614	Chain frame+shaving deflector
618	Chainframe stainless cpl. VSI
622	Slider Mounting cpl
624	PLASTIC ROLLER WHEEL CPL.
626	Slider cpl
628	Shaving Deflector
630	Terminal
634	Terminal Front cpl.
638	Terminal Front and CPU
640	Apalis carrierboard + iMX6 1GB Quad
642	Terminal Mounting Kit top cpl.
644	Terminal Mounting Kit top preassy.
646	Drive depositing arm
648	Depositing Drive cpl
650	Depositing Arm Lever cpl.
652	Depositing arm
658	Depositing Arm cpl
660	Depositing arm cpl
662	Service kit VSI- connect. depositing arm
664	Depositing arm cpl
666	Depositing Arm Lever cpl.
668	Electronics
676	Mounting Plate cpl
678	Option I/O-Module
680	Option Scale Terminal bottom cpl
682	Option Scale Terminal top cpl
684	Grinding device
686	Grinder VSI 330 cpl.
688	UVV Sharpener preass. GSP
690	Bench
694	Stand mobile cpl
696	Lever cpl.
698	ACCESSORY KIT FOR BENCH FIXATION
700	Stand stationary cpl
702	ACCESSORY KIT FOR BENCH FIXATION
704	Network connections
720	Identification plates

Contents

724	Plates and labels
742	Accessories
748	Accessories Kit for automatic Slicer
750	VSI calibration touch controller
752	Packages

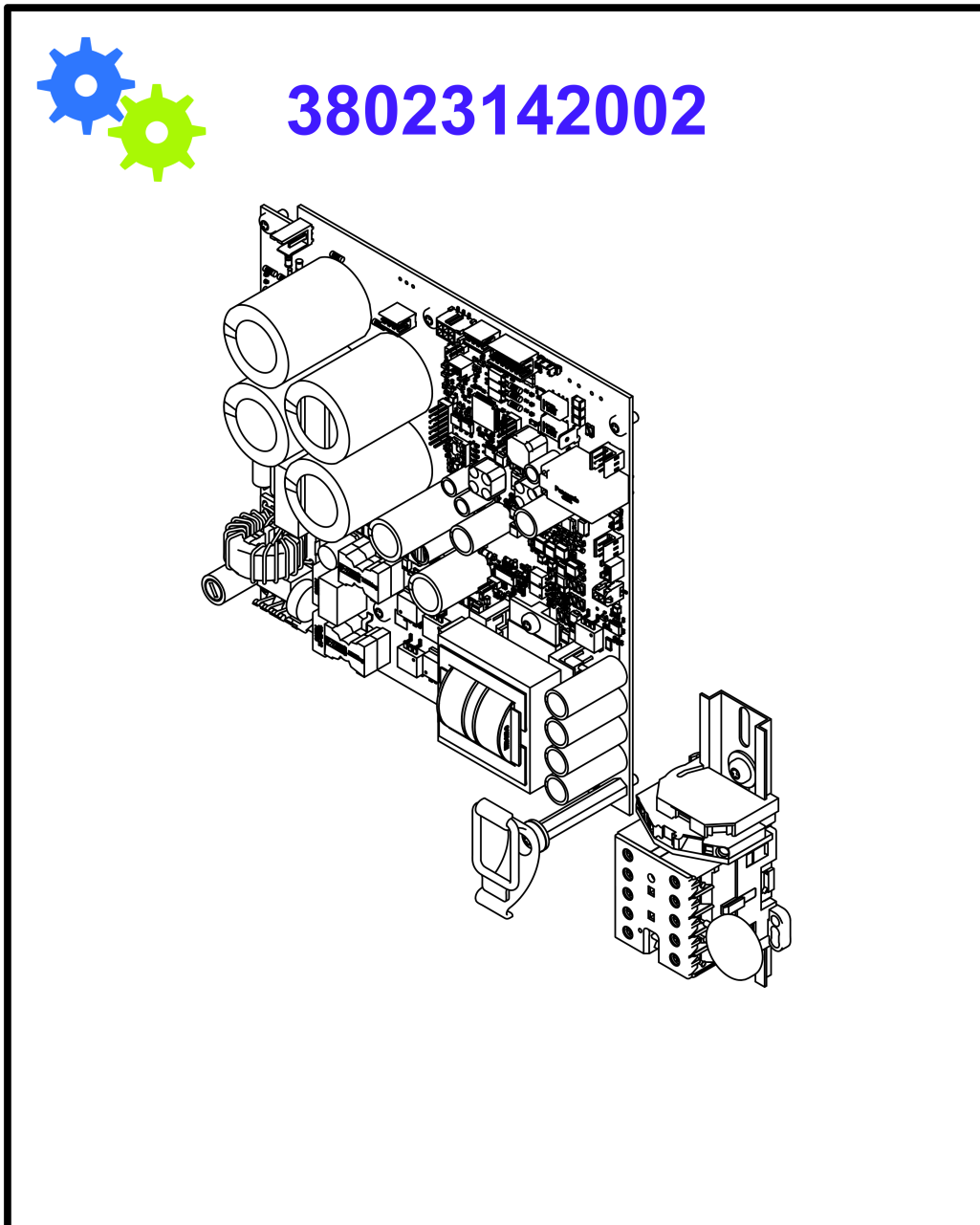
Voltage type



Voltage type

Material No.	Qty	Material description	available for order	Wear part	Recomm. sp. part	Metr. relevance
38022965002	1	Power Supply 220-240V cpl				

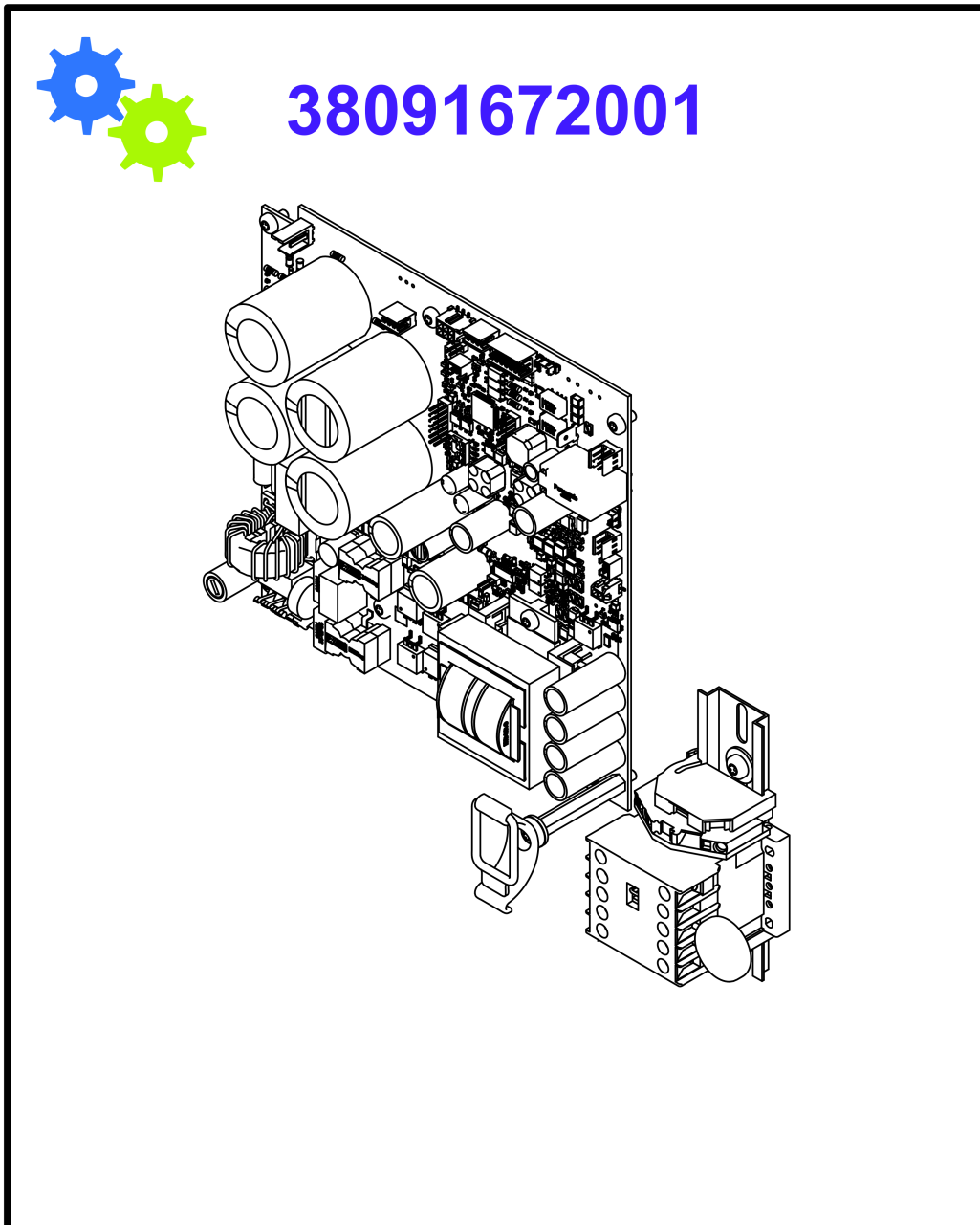
Voltage type



Voltage type

Material No.	Qty	Material description	available for order	Wear part	Recomm. sp. part	Metr. relevance
38023142002	1	Power Supply 100-120V cpl				

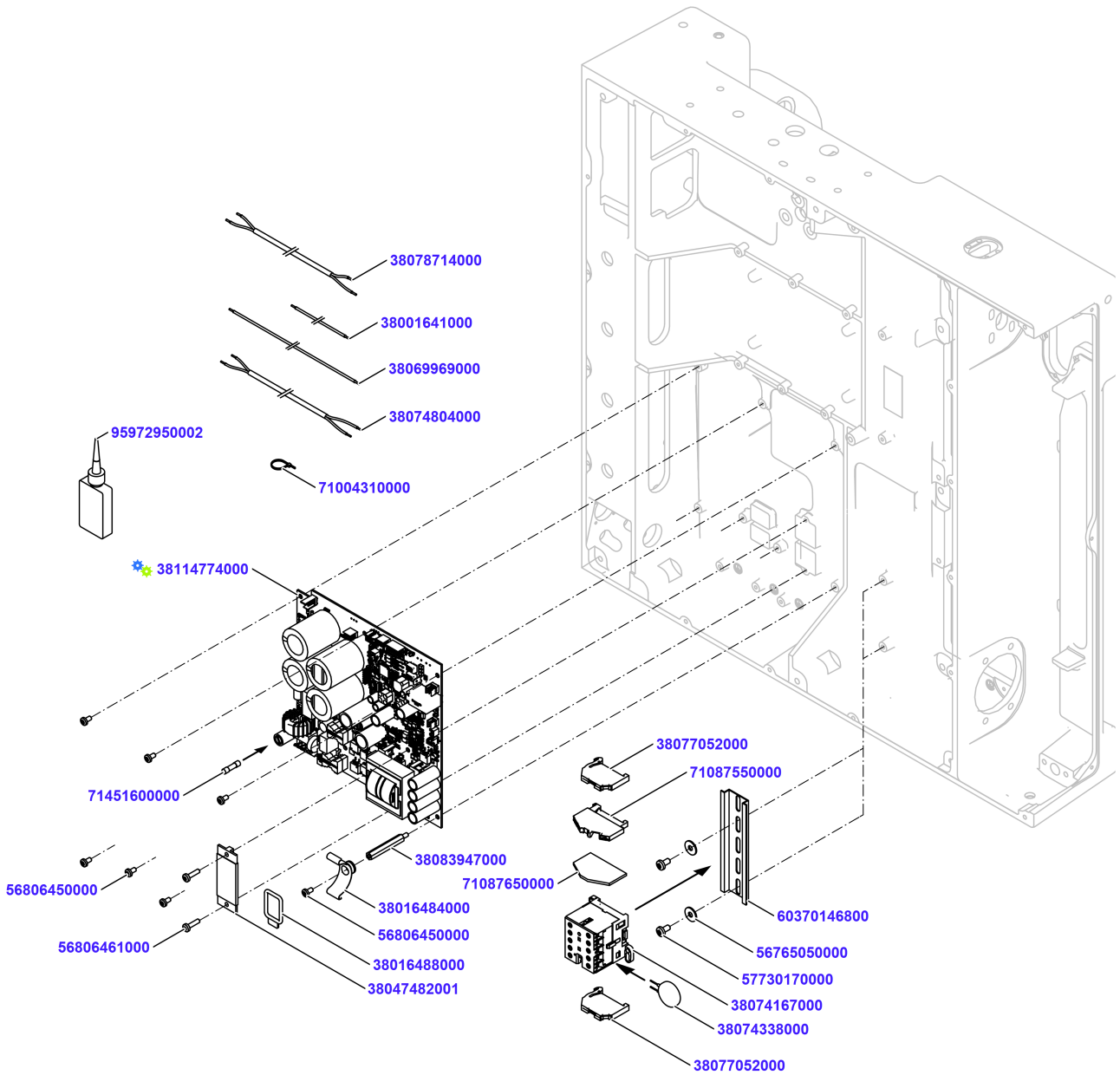
Voltage type



Voltage type

Material No.	Qty	Material description	available for order	Wear part	Recomm. sp. part	Metr. relevance
38091672001	1	Power Supply 100V cpl				

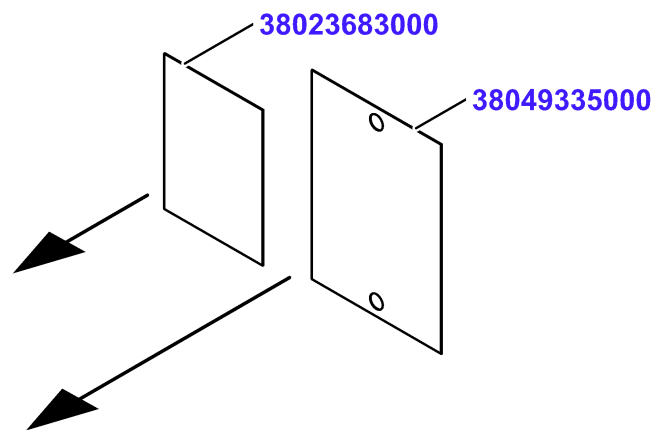
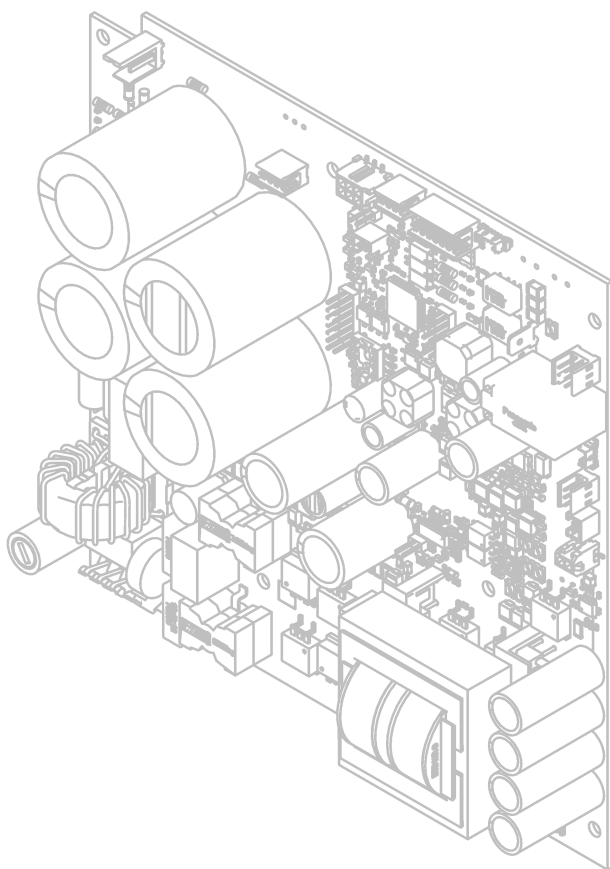
Power Supply 220-240V cpl



Power Supply 220-240V cpl

Material No.	Qty	Material description	available for order	Wear part	Recomm. sp. part	Metr. relevance
38114774000	1	Prog.+PCBA VSI Power Supply 230V + therm	✓			
71451600000	1	Fuse T6.3			✓	
56806450000	6	Oval-head screw ISO14583 M4x8-A2-70-T20	✓			
38083947000	1	Distance bolt SW7x45 M4-M4 In-Out	✓			
38016484000	1	Cradle Clip C3	✓			
56806450000	1	Oval-head screw ISO14583 M4x8-A2-70-T20	✓			
38016488000	1	Retaining Ring R3	✓			
38047482001	1	Holder cpl.	✓			
56806461000	2	Oval-head screw ISO14583 M4x16-A2-70-T20	✓			
60370146800	1	cap rail	✓			
95972950002	0,001	Loctite 243 50 ml	✓			
57730170000	2	Oval-head screw ISO14583 M5x10-A2-70-T25	✓			
56765050000	2	Washer DIN9021-5-A2	✓			
38074167000	1	Contacto 220-240V/40-450Hz B7-30-10	✓			
38074338000	1	Thermistor NTC 5 Ohm 20% 6,7W 9,5A	✓			
38077052000	2	Screwless End Clamp	✓			
71087550000	1	Terminal Block 3pol 2,5qmm 280-641	✓			
71087650000	1	Intermediate Plate 280-313	✓			
38078714000	1	Ca Rd 2x0,75qmm 0,38m	✓			
38001641000	1	Ka Li BK 1qmm 0,080m	✓			
38069969000	1	Ca Stw BK AWG18 0,160m	✓			
38074804000	1	Ca Rd 2x0,5qmm 0,45m	✓			
71004310000	2	Cabel Tie T18R	✓			

Prog.+PCBA VSI Power Supply 230V + therm

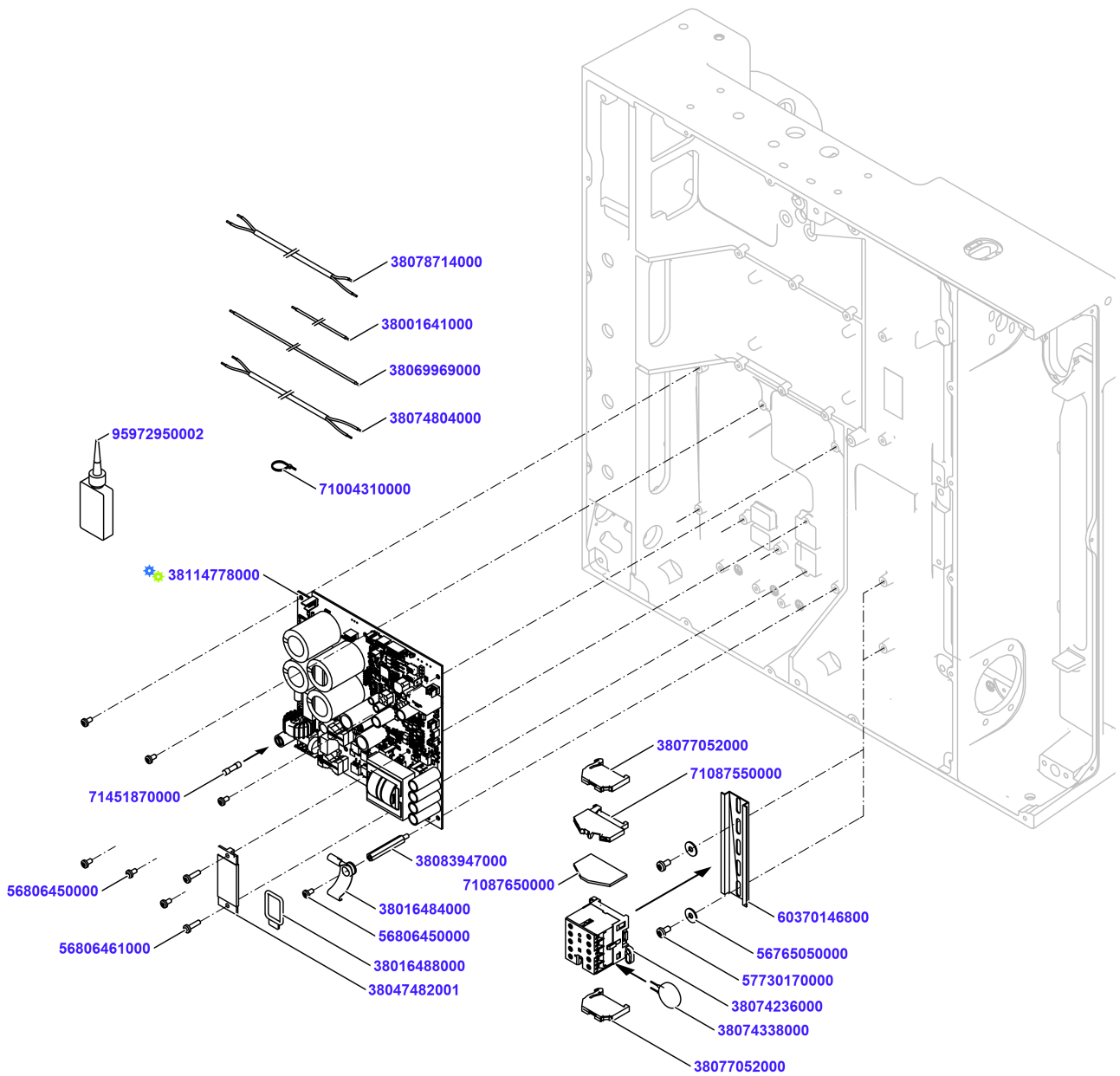


Prog.+PCBA VSI Power Supply 230V + therm

Material No.	Qty	Material description
38023683000	1	Thermal Pad 38x52x0,2 pink
38049335000	1	Thermal Pad

available for order
Wear part
Recomm. sp. part
Metr. relevance

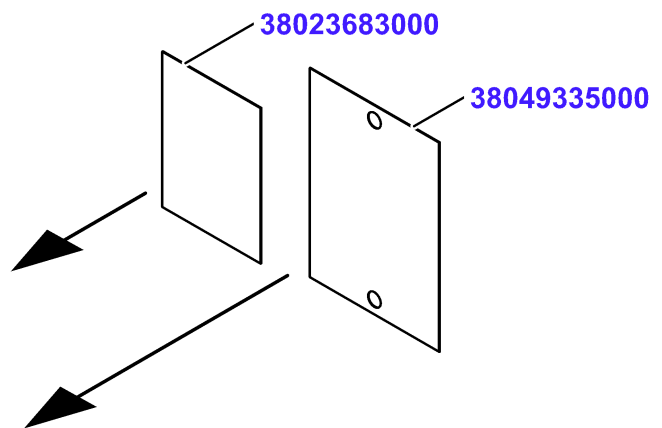
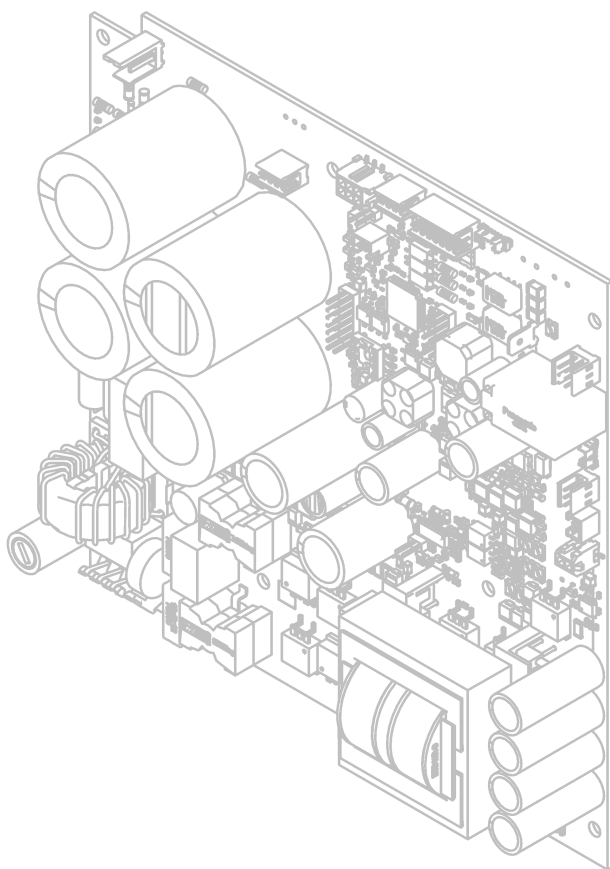
Power Supply 100-120V cpl



Power Supply 100-120V cpl

Material No.	Qty	Material description	available for order	Wear part	Recomm. sp. part	Metr. relevance
38114778000	1	Prog.+PCBA VSI Power Supply 120V + therm				
71451870000	1	FUSE 8,0T UL 215008.P				
56806450000	6	Oval-head screw ISO14583 M4x8-A2-70-T20				
38083947000	1	Distance bolt SW7x45 M4-M4 In-Out				
38016484000	1	Cradle Clip C3				
56806450000	1	Oval-head screw ISO14583 M4x8-A2-70-T20				
38016488000	1	Retaining Ring R3				
38047482001	1	Holder cpl.				
56806461000	2	Oval-head screw ISO14583 M4x16-A2-70-T20				
60370146800	1	cap rail				
57730170000	2	Oval-head screw ISO14583 M5x10-A2-70-T25				
56765050000	2	Washer DIN9021-5-A2				
95972950002	0,001	Loctite 243 50 ml				
38074236000	1	Contacto 110-127V/40-450Hz B7-30-10				
38074338000	1	Thermistor NTC 5 Ohm 20% 6,7W 9,5A				
38077052000	2	Screwless End Clamp				
71087550000	1	Terminal Block 3pol 2,5qmm 280-641				
71087650000	1	Intermediate Plate 280-313				
38078714000	1	Ca Rd 2x0,75qmm 0,38m				
38001641000	1	Ka Li BK 1qmm 0,080m				
38069969000	1	Ca Stw BK AWG18 0,160m				
38074804000	1	Ca Rd 2x0,5qmm 0,45m				
71004310000	2	Cabel Tie T18R				

Prog.+PCBA VSI Power Supply 120V + therm

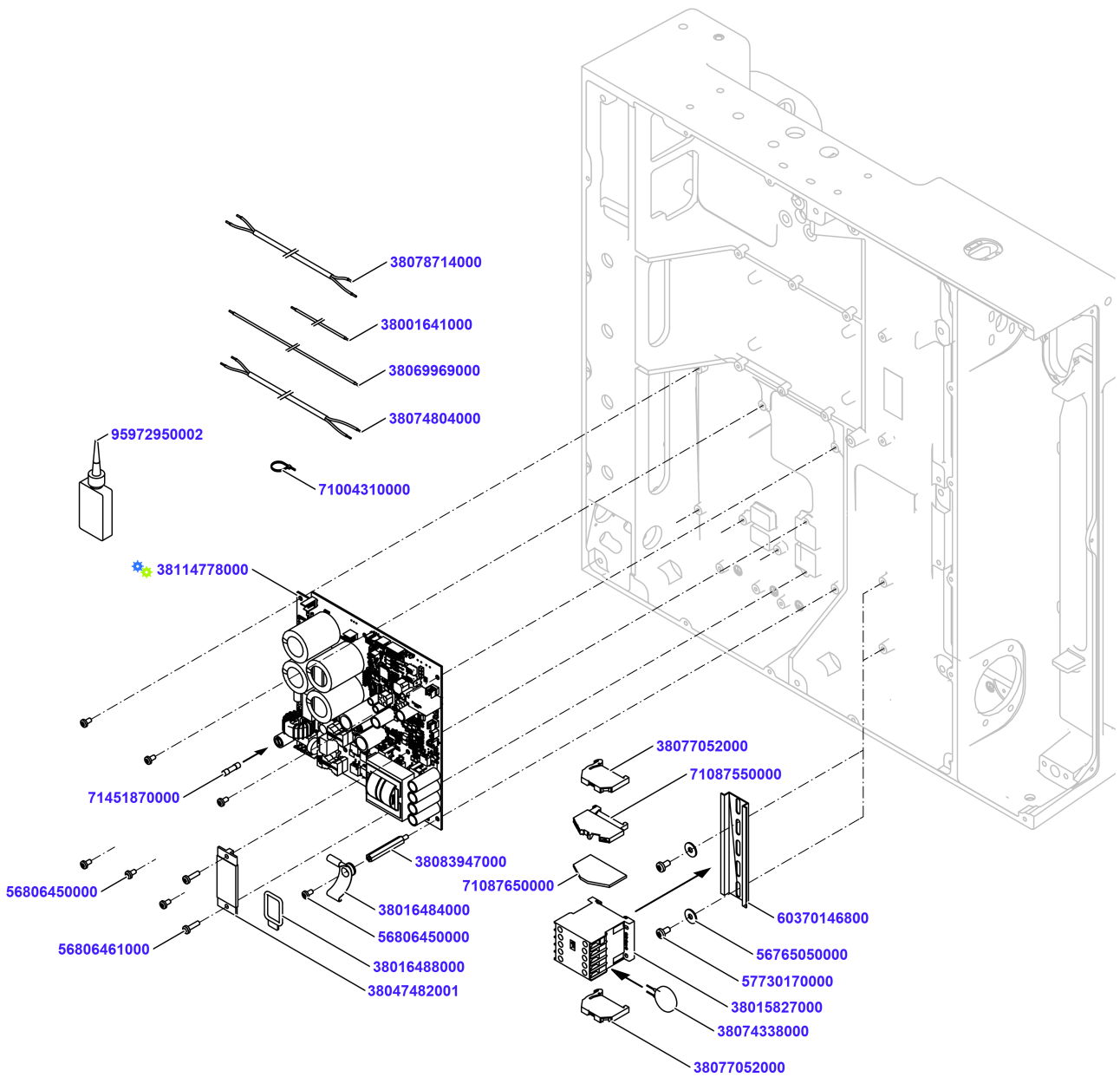


Prog.+PCBA VSI Power Supply 120V + therm

Material No.	Qty	Material description
38023683000	1	Thermal Pad 38x52x0,2 pink
38049335000	1	Thermal Pad

available for order
Wear part
Recomm. sp. part
Metr. relevance

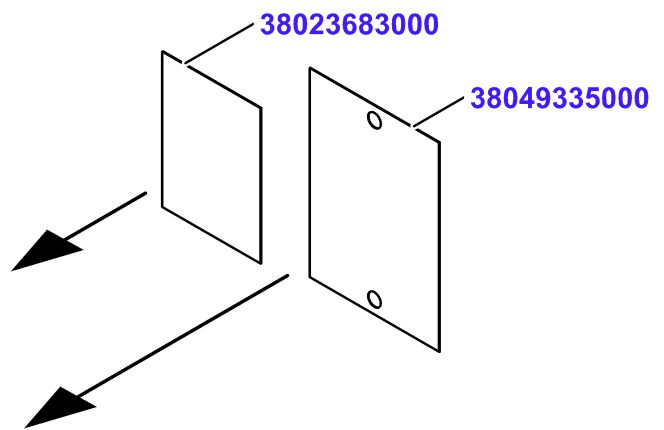
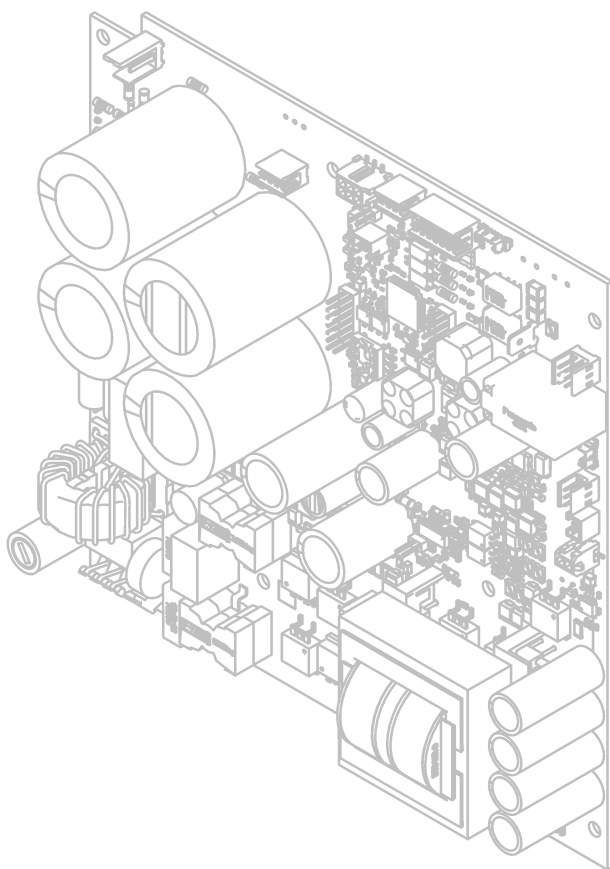
Power Supply 100V cpl



Power Supply 100V cpl

Material No.	Qty	Material description	available for order	Wear part	Recomm. sp. part	Metr. relevance
38114778000	1	Prog.+PCBA VSI Power Supply 120V + therm				
71451870000	1	FUSE 8,0T UL 215008.P				
56806450000	6	Oval-head screw ISO14583 M4x8-A2-70-T20				
38083947000	1	Distance bolt SW7x45 M4-M4 In-Out				
38016484000	1	Cradle Clip C3				
56806450000	1	Oval-head screw ISO14583 M4x8-A2-70-T20				
38016488000	1	Retaining Ring R3				
38047482001	1	Holder cpl.				
56806461000	2	Oval-head screw ISO14583 M4x16-A2-70-T20				
60370146800	1	cap rail				
95972950002	0,001	Loctite 243 50 ml				
57730170000	2	Oval-head screw ISO14583 M5x10-A2-70-T25				
56765050000	2	Washer DIN9021-5-A2				
38015827000	1	Contacto 100V 1C				
38074338000	1	Thermistor NTC 5 Ohm 20% 6,7W 9,5A				
38077052000	2	Screwless End Clamp				
71087550000	1	Terminal Block 3pol 2,5qmm 280-641				
71087650000	1	Intermediate Plate 280-313				
38078714000	1	Ca Rd 2x0,75qmm 0,38m				
38001641000	1	Ka Li BK 1qmm 0,080m				
38069969000	1	Ca Stw BK AWG18 0,160m				
38074804000	1	Ca Rd 2x0,5qmm 0,45m				
71004310000	2	Cabel Tie T18R				

Prog.+PCBA VSI Power Supply 120V + therm

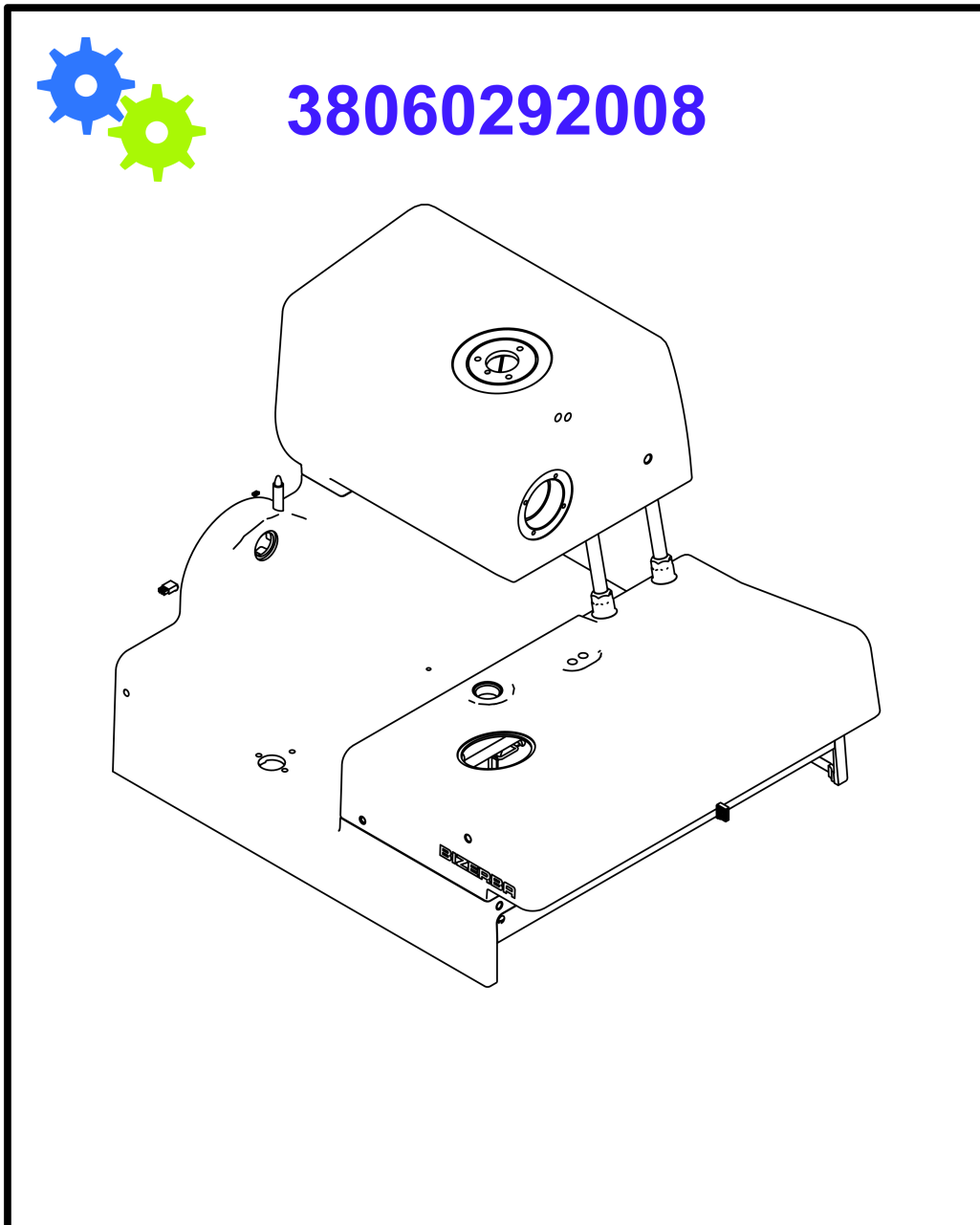


Prog.+PCBA VSI Power Supply 120V + therm

Material No.	Qty	Material description
38023683000	1	Thermal Pad 38x52x0,2 pink
38049335000	1	Thermal Pad

available for order
Wear part
Recomm. sp. part
Metr. relevance

Machine housing



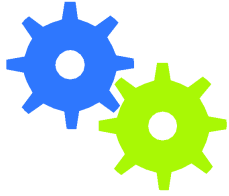
Machine housing

Material No. **Qty** **Material description**

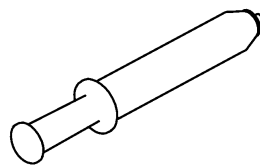
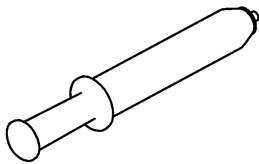
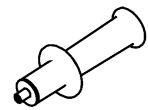
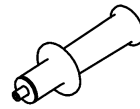
[38060292008](#) 1 Housing W Dt

available for order
Wear part
Recomm. sp. part
Metr. relevance

Machine housing



38064575002



Machine housing

Material No.	Qty	Material description
38064575002	1	Carry Handles Set VSI

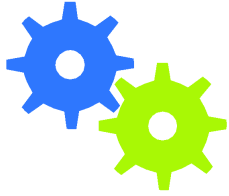
available for order

Wear part

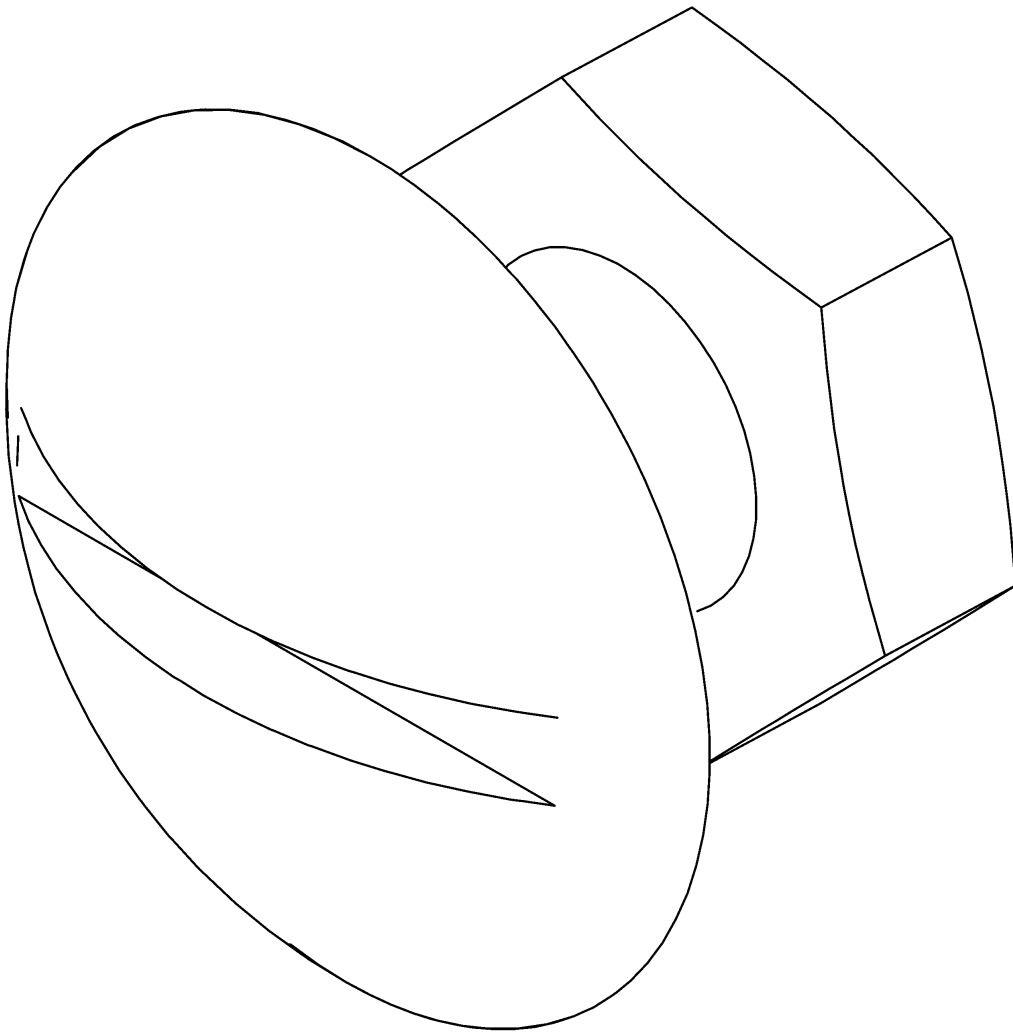
Recomm. sp. part

Metr. relevance

Machine housing



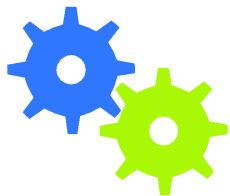
38079008001



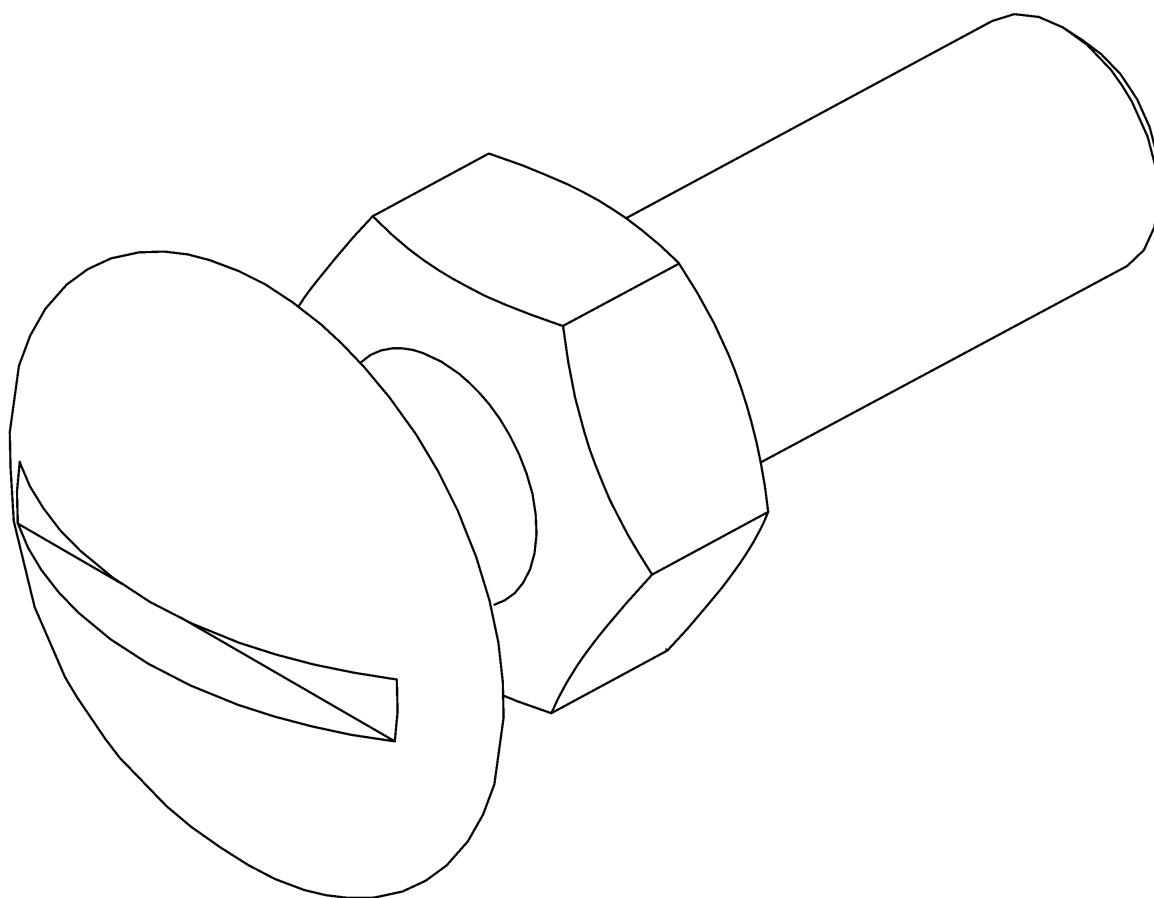
Machine housing

Material No.	Qty	Material description	available for order	Wear part	Recomm. sp. part	Metr. relevance
38079008001	1	Screw Plug Machine Housing cpl				

Machine housing



38079016000

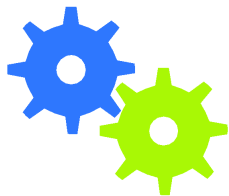


Machine housing

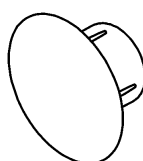
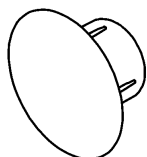
Material No.	Qty	Material description
38079016000	1	Screw Plug Drive Housing cpl

available for order
Wear part
Recomm. sp. part
Metr. relevance

Machine housing



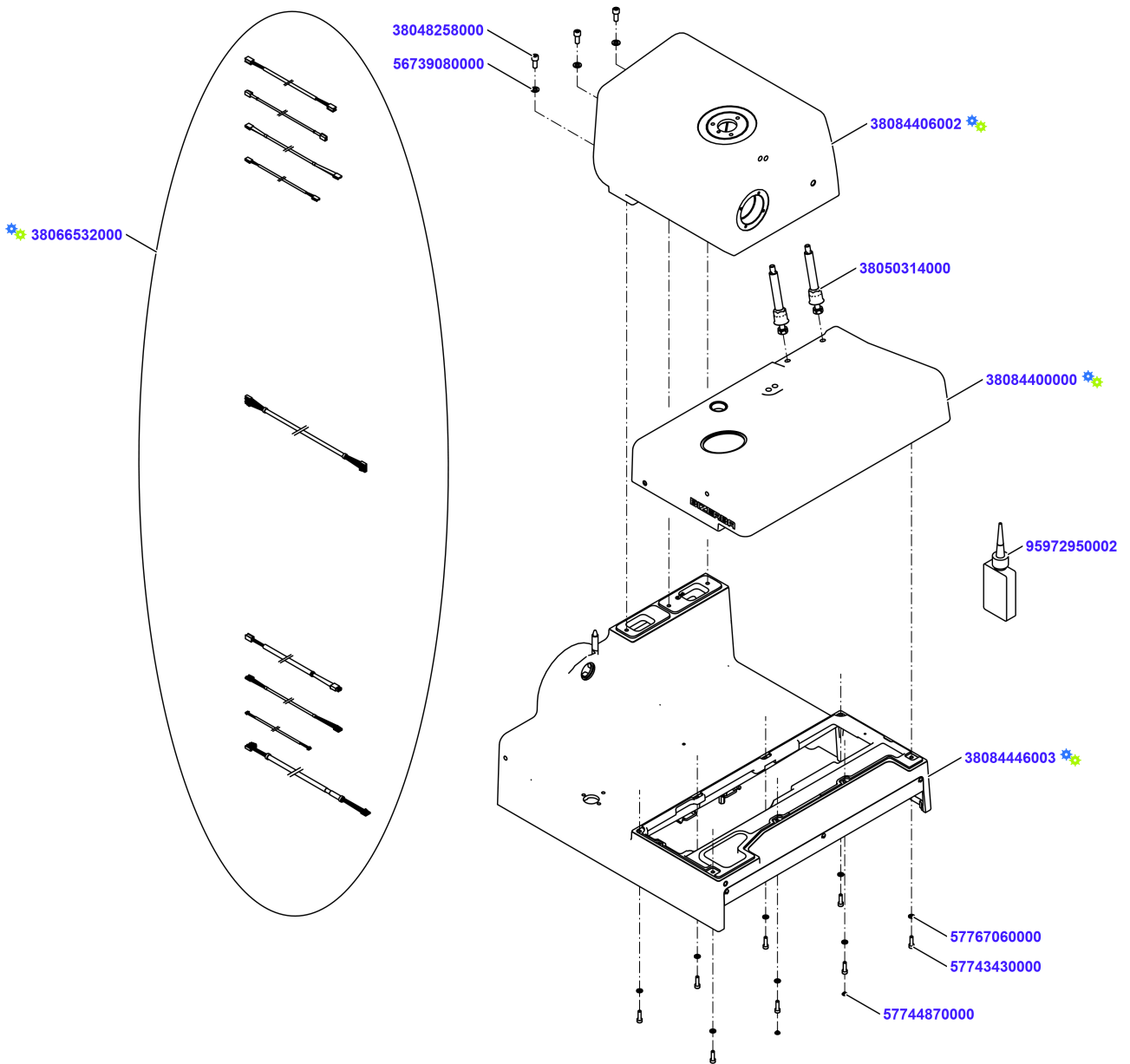
38086177000



Machine housing

Material No.	Qty	Material description	available for order	Wear part	Recomm. sp. part	Metr. relevance
38086177000	1	Covering Cap Set Carry Handles				

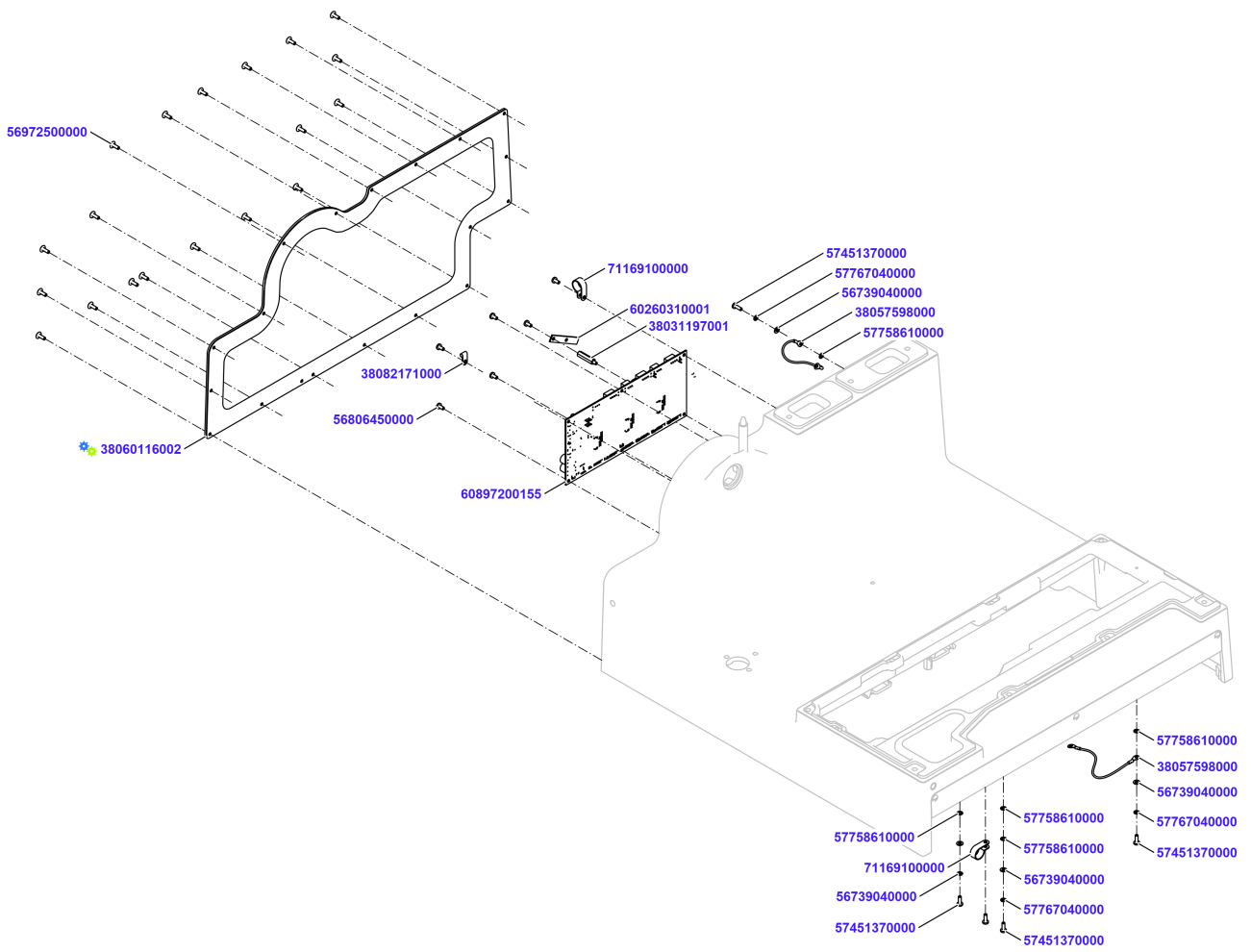
Housing W Dt



Housing W Dt

Material No.	Qty	Material description	available for order	Wear part	Recomm. sp. part	Metr. relevance
38084446003	1	Drive Housing Dt cpl				
38084400000	1	Machine Housing cpl.				
57743430000	8	Cylinder screw DIN 912-M6x20-A2-70	✓			
57767060000	8	Spring lock washer DIN128-A6-FSt	✓			
57744870000	2	Protective plug 10x5,2x3,1-PE	✓		✓	
38050314000	1	Support motortower cpl	✓			
38084406002	1	Motor Tower W Dt cpl				
38048258000	3	Cylinder screw ISO14579 M8x20-A2-70-T45	✓			
56739080000	3	Washer DIN125-A-8-A2	✓			
95972950002	0,001	Loctite 243 50 ml	✓			
38066532000	1	Cable set standard				

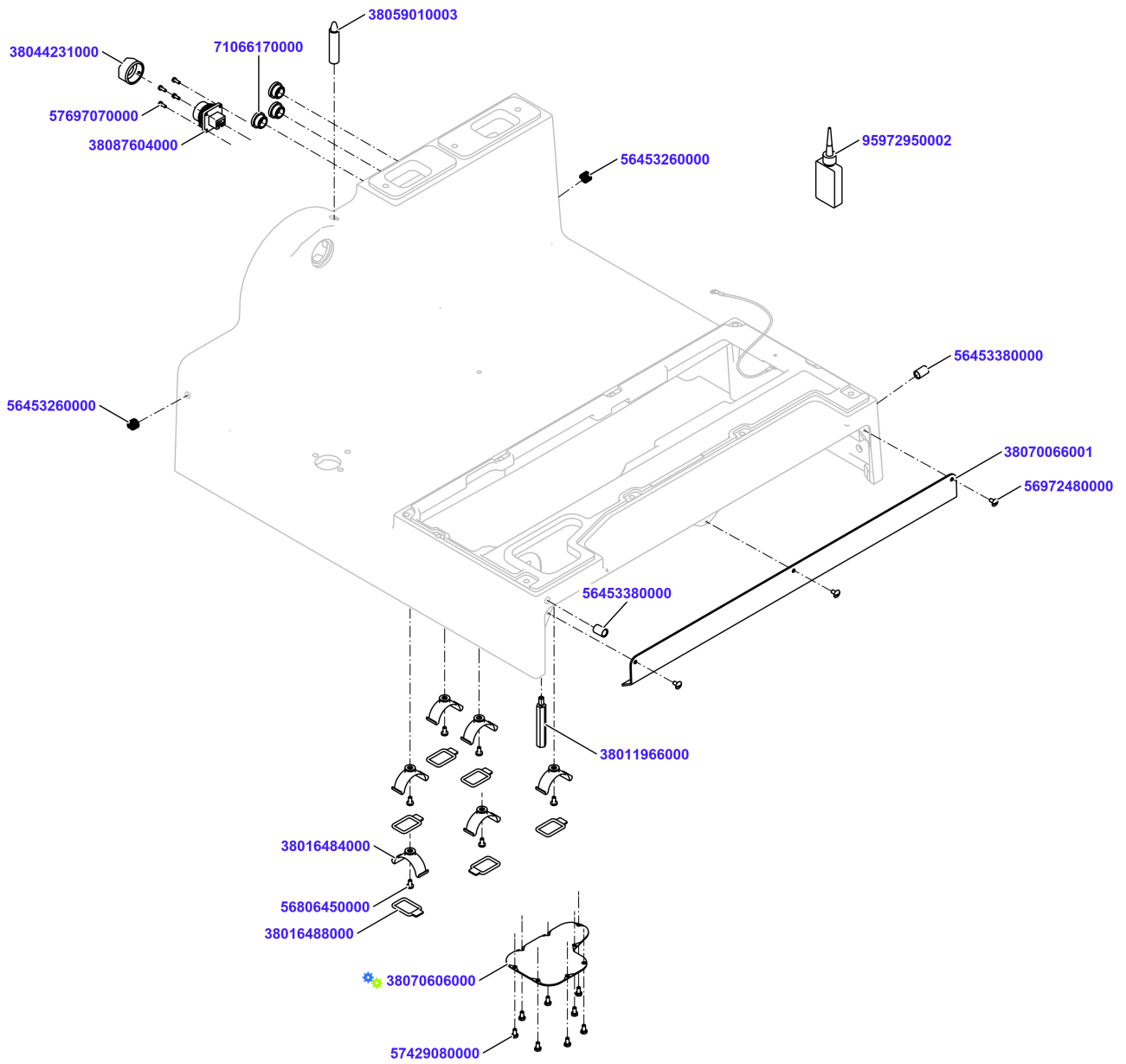
Drive Housing Dt cpl



Drive Housing Dt cpl

Material No.	Qty	Material description	available for order	Wear part	Recomm. sp. part	Metr. relevance
56806450000	6	Oval-head screw ISO14583 M4x8-A2-70-T20	✓			
60897200155	1	PCBAP MC 3ph 6ch lv bus	✓			
38082171000	1	Fastening Clip 3mm closed metal	✓			
71169100000	1	Cable Clamp nylon 14mm NK-10N	✓			
38031197001	1	Thread Bolt M4	✓			
60260310001	1	strap	✓			
56806450000	6	Oval-head screw ISO14583 M4x8-A2-70-T20	✓			
38057598000	1	Ka Li GN/YE AWG18 0,22m	✓			
57451370000	1	Oval-head screw ISO14583 M4x12-A2-70-T20	✓			
57767040000	1	Spring lock washer DIN128-A4-FSt	✓			
56739040000	1	Washer DIN125-A 4.3-A2-70	✓			
57758610000	1	Toothed washer DIN6797-A 4,3-Fst	✓			
38057598000	1	Ka Li GN/YE AWG18 0,22m	✓			
57451370000	1	Oval-head screw ISO14583 M4x12-A2-70-T20	✓			
57767040000	1	Spring lock washer DIN128-A4-FSt	✓			
56739040000	1	Washer DIN125-A 4.3-A2-70	✓			
57758610000	1	Toothed washer DIN6797-A 4,3-Fst	✓			
57451370000	1	Oval-head screw ISO14583 M4x12-A2-70-T20	✓			
71169100000	1	Cable Clamp nylon 14mm NK-10N	✓			
57451370000	2	Oval-head screw ISO14583 M4x12-A2-70-T20	✓			
57767040000	2	Spring lock washer DIN128-A4-FSt	✓			
57758610000	3	Toothed washer DIN6797-A 4,3-Fst	✓			
56739040000	1	Washer DIN125-A 4.3-A2-70	✓			
38060116002	1	Cover Drivehousing prem	✓			
56972500000	19	Mushroom head screw M4x12-A2-70	✓			
56739040000	1	Washer DIN125-A 4.3-A2-70	✓			

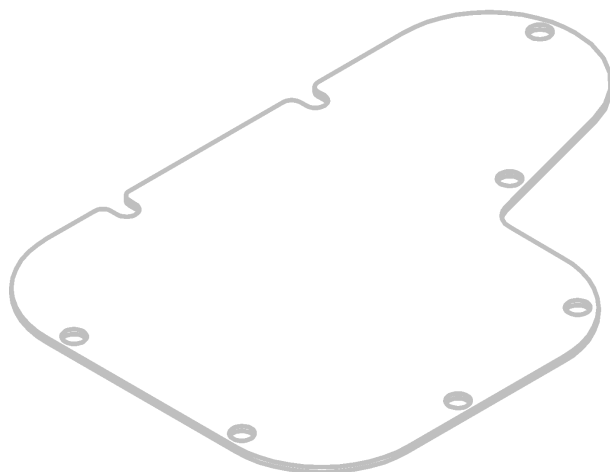
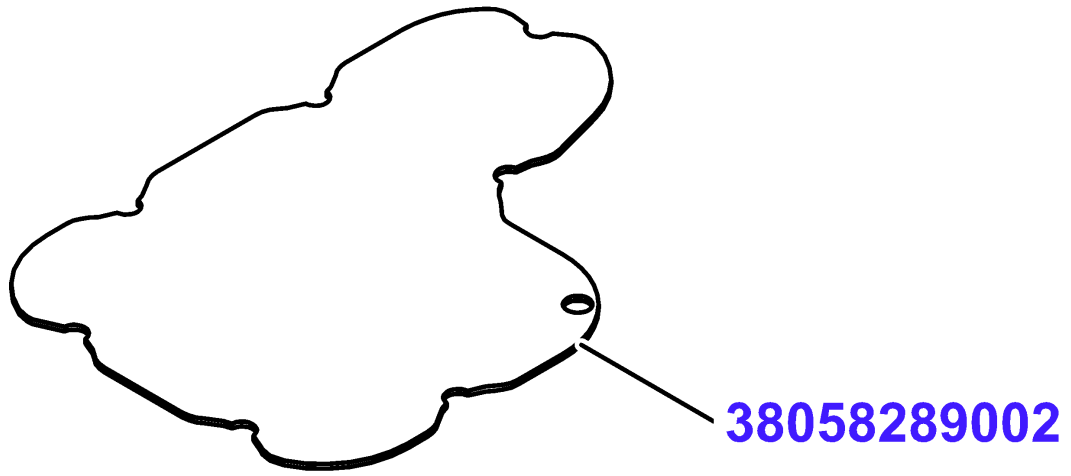
Drive Housing Dt cpl



Drive Housing Dt cpl

Material No.	Qty	Material description	available for order	Wear part	Recomm. sp. part	Metr. relevance
56453380000	2	Threaded insert M10x15	✓			
56453260000	2	Threaded insert M10x10	✓			
38059010003	1	Catching Bolt	✓			
95972950002	1	Loctite 243 50 ml	✓			
38016484000	6	Cradle Clip C3	✓			
56806450000	6	Oval-head screw ISO14583 M4x8-A2-70-T20	✓			
38016488000	6	Retaining Ring R3	✓			
56806450000	6	Oval-head screw ISO14583 M4x8-A2-70-T20	✓			
38011966000	1	Distance bolt 10x60 M6-M6 In-Out	✓			
38070066001	1	Cover	✓			
56972480000	3	Mushroom head screw M4x8-A2-70 Tuflok	✓			
38070606000	1	Cover prem	✓			
57429080000	8	Hexagon screw DIN933 M4x8 A2-70	✓			
38044231000	1	Protection Cap Flangehousing	✓			
38087604000	1	Connector Metal Bayonett RJ45 Ethernet	✓			
57697070000	4	Cylinder screw DIN84 M3x8-A2-70	✓			
71066170000	3	Blind plug BLK- M16	✓			

Cover prem



Cover prem

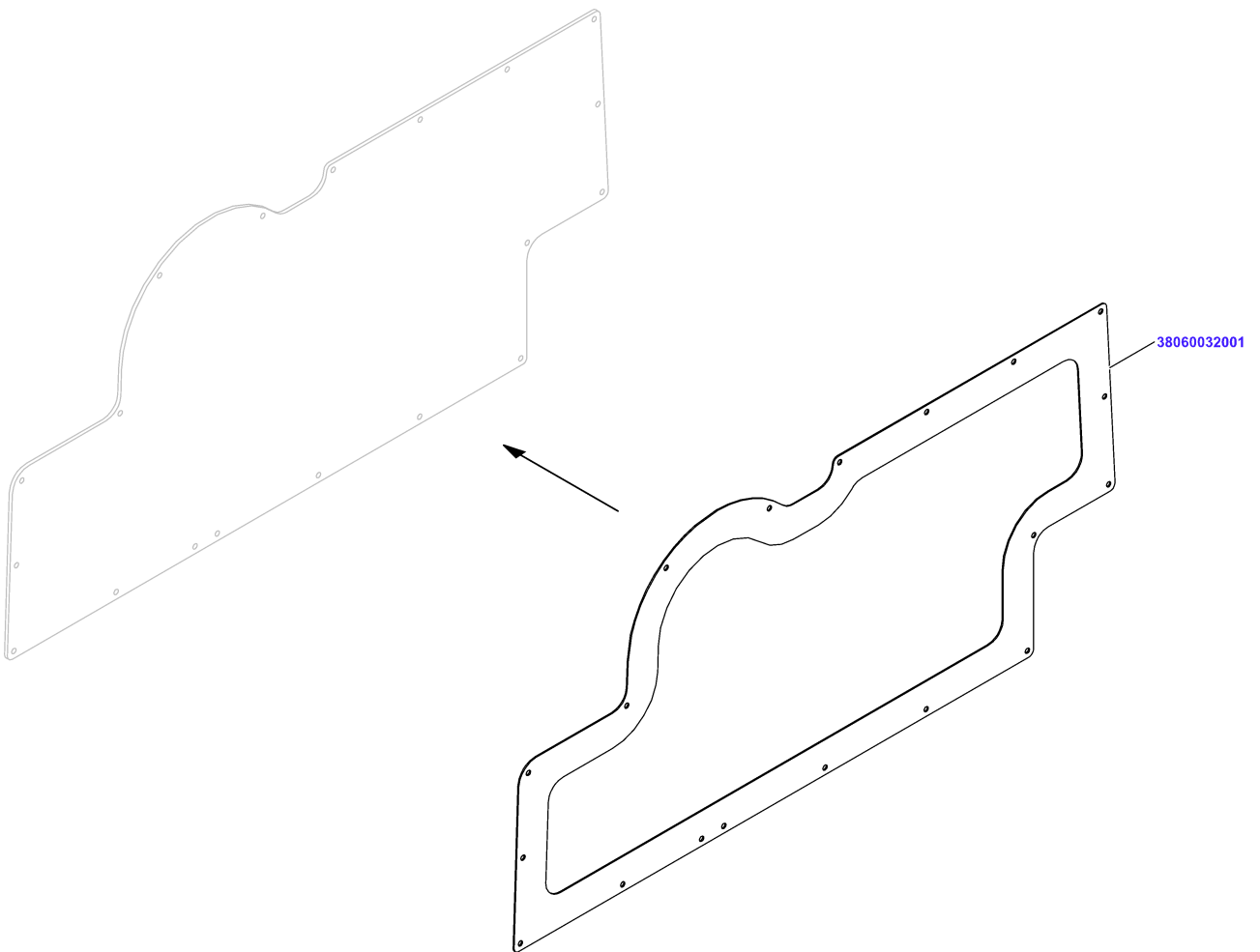
Material No. **Qty** **Material description**

[38058289002](#) 1 Sealing

available for order
Wear part
Recomm. sp. part
Metr. relevance



Cover Drivehousing prem



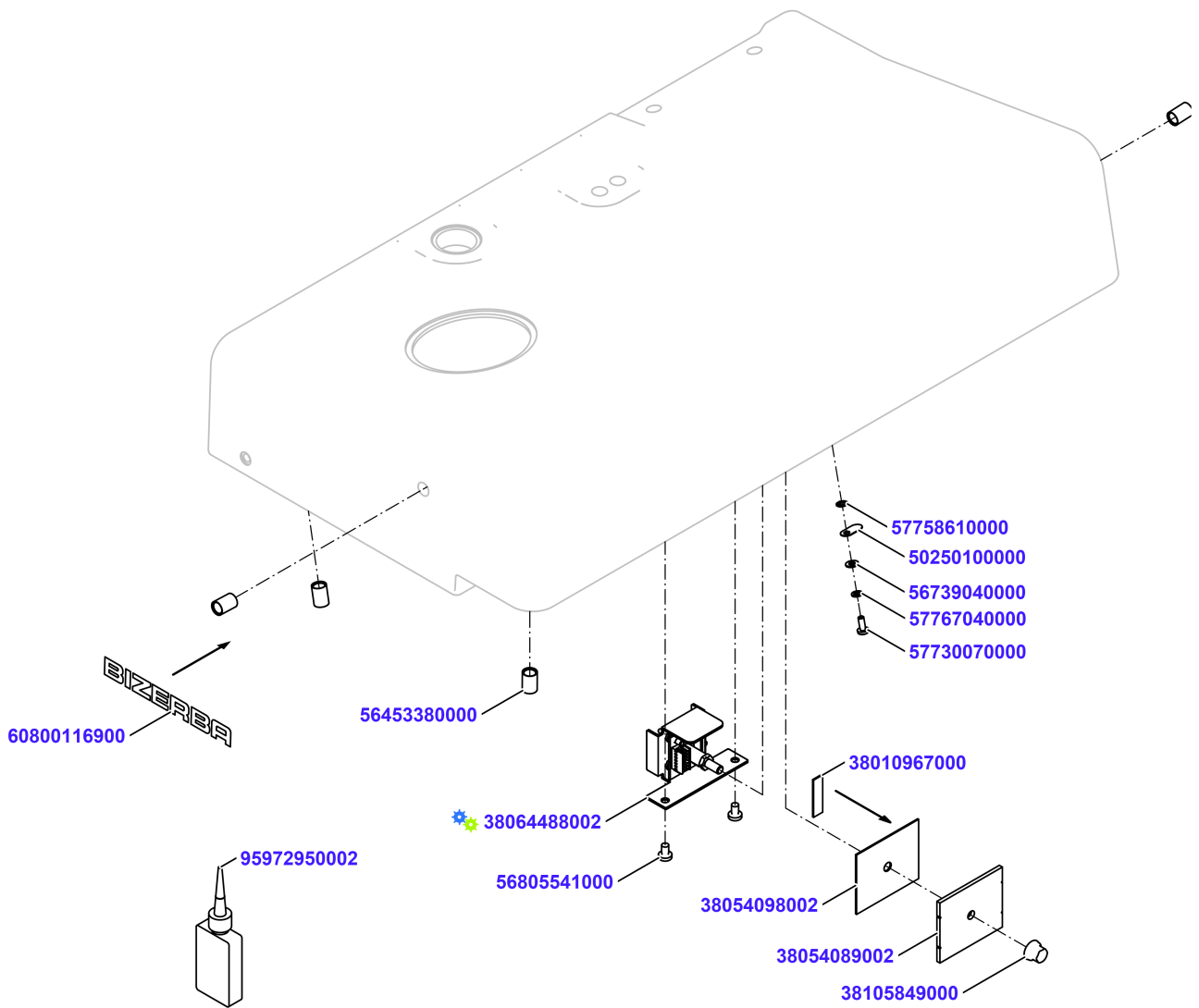
Cover Drivehousing prem

Material No.	Qty	Material description
--------------	-----	----------------------

38060032001	1	Sealing
-------------	---	---------

available for order
Wear part
Recomm. sp. part
Metr. relevance

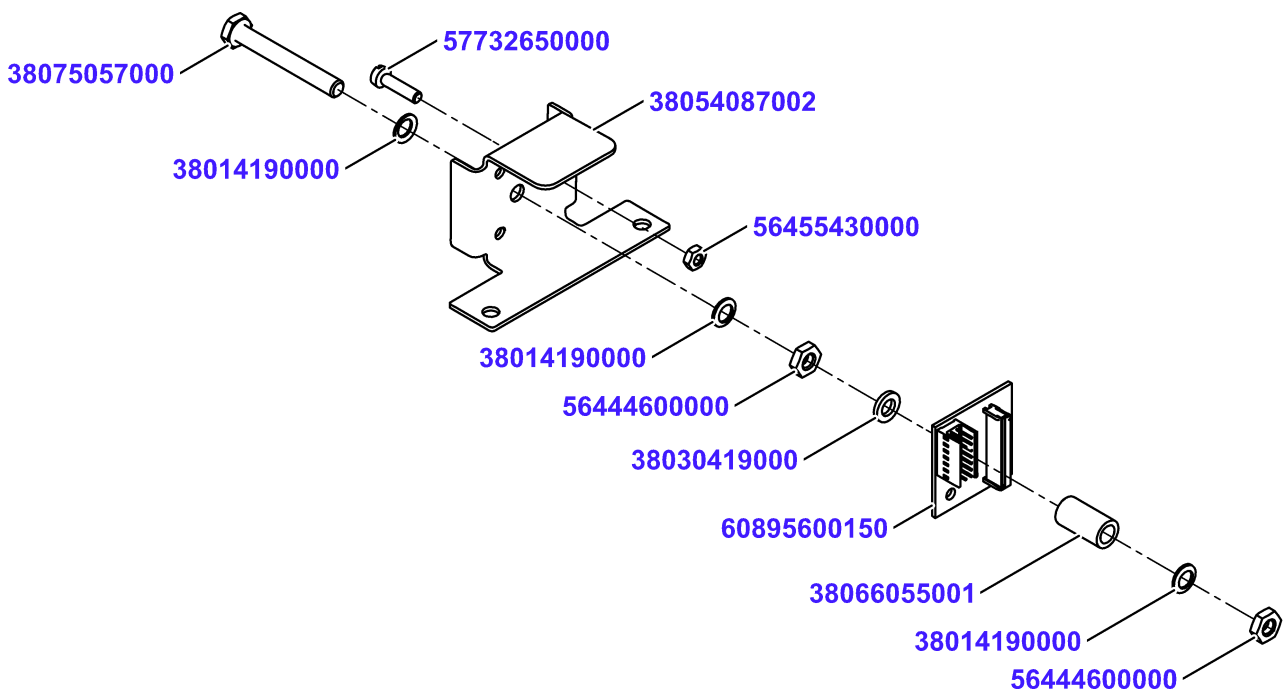
Machine Housing cpl.














Machine Housing cpl.

Material No.	Qty	Material description	available for order	Wear part	Recomm. sp. part	Metr. relevance
56453380000	4	Threaded insert M10x15	✓			
38064488002	1	Connector ribbon cable				
56805541000	2	Oval-head screw ISO14583 M5x8-A2-70-T25	✓			
38010967000	1	Sealing	✓		✓	
38054098002	1	Seal	✓		✓	
38054089002	1	cover inside	✓			
38105849000	1	Cap nut-M6 -1.4404	✓			
95972950002	0,001	Loctite 243 50 ml	✓			
57758610000	1	Toothed washer DIN6797-A 4,3-Fst	✓			
50250100000	1	Grounding Plate 9x17/4.3 D	✓			
56739040000	1	Washer DIN125-A 4.3-A2-70	✓			
57767040000	1	Spring lock washer DIN128-A4-FSt	✓			
57730070000	1	Oval-head screw ISO14583 M4x10-A2-70-T20	✓			
60800116900	1	Bizerba character font	✓			

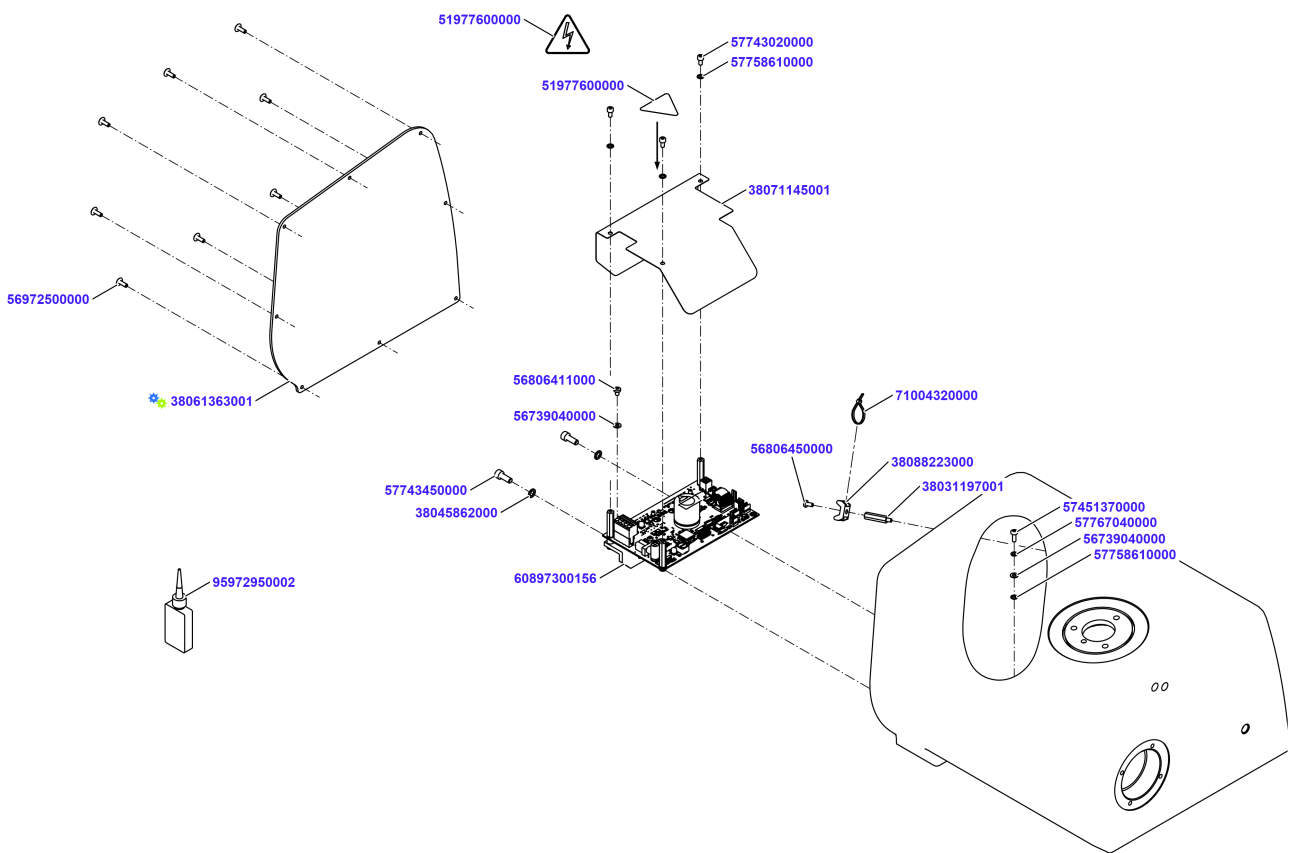
Connector ribbon cable



Connector ribbon cable

Material No.	Qty	Material description	available for order	Wear part	Recomm. sp. part	Metr. relevance
38054087002	1	Mounting Bracket				
38075057000	1	Hexagon Screw DIN 933 M6x45-A2-70				
38014190000	2	Retaining washer S6-A2				
56444600000	1	Hexagon nut DIN439-M6-A2				
38030419000	1	thrust washer				
60895600150	1	PCBA Intermediate Board 2				
38066055001	1	tube				
38014190000	1	Retaining washer S6-A2				
56444600000	1	Hexagon nut DIN439-M6-A2				
57732650000	1	Cylinder screw DIN84 M4x16				
56455430000	1	Hexagon nut DIN934-M4-PA 66				

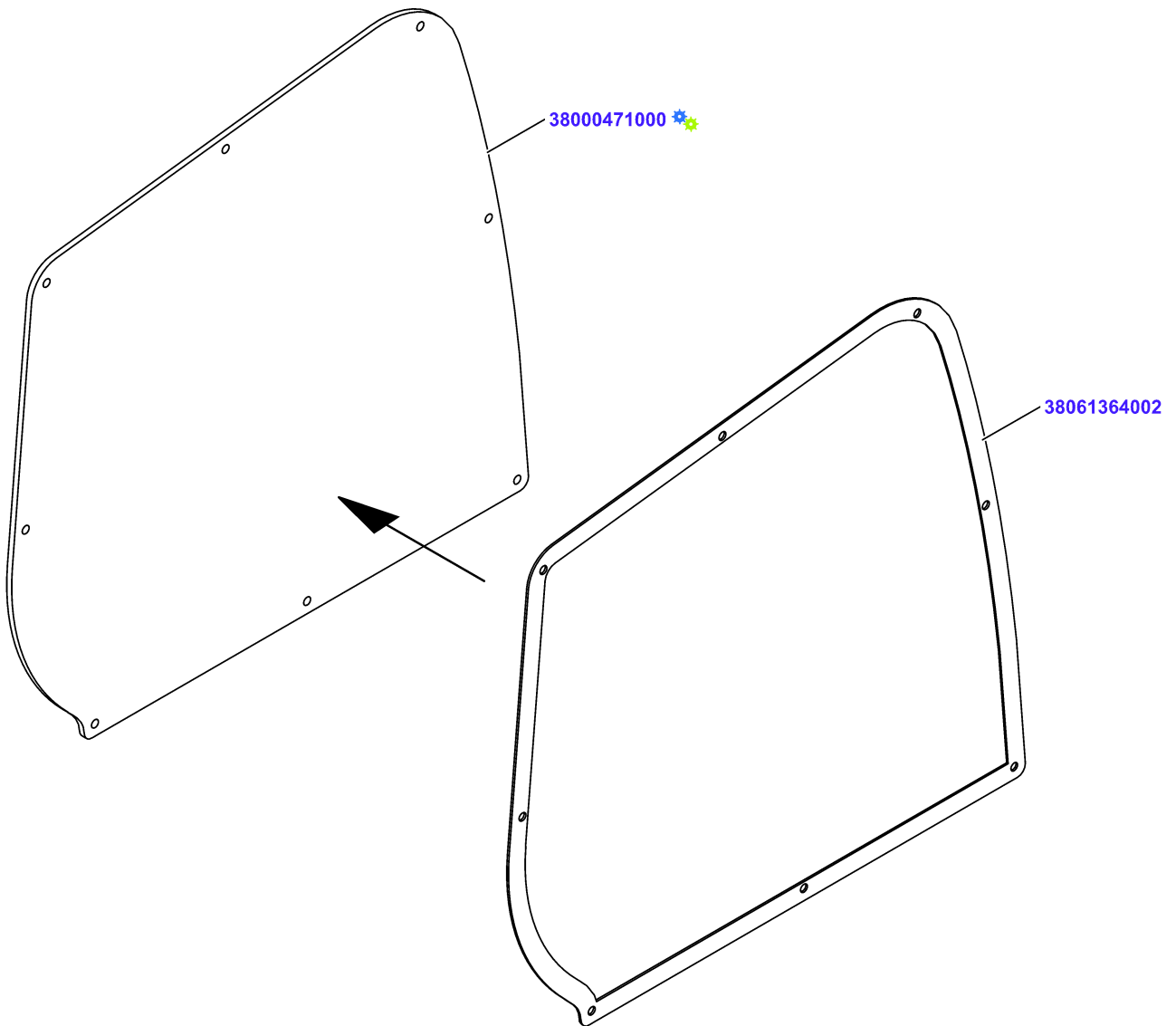
Motor Tower W Dt cpl



Motor Tower W Dt cpl

Material No.	Qty	Material description	available for order	Wear part	Recomm. sp. part	Metr. relevance
60897300156	1	PCBAP MC 3ph 2ch hv bus	✓			
57743450000	2	Cylinder screw DIN912 M6x16-A2-70	✓			
38045862000	2	Toothed washer DIN6797-A 6,4-A2	✓			
56806411000	1	Oval-head screw ISO14583 M4x6-A2-70-T20	✓			
56739040000	1	Washer DIN125-A 4.3-A2-70	✓			
38071145001	1	Protection Plate	✓			
57743020000	3	Cylinder screw DIN912 M4x8-A2-70	✓			
57758610000	3	Toothed washer DIN6797-A 4,3-Fst	✓			
51977600000	1	Warning plate with danger arrow 50	✓			
38031197001	1	Thread Bolt M4	✓			
38088223000	1	Fastening Socket 9mm	✓			
56806450000	1	Oval-head screw ISO14583 M4x8-A2-70-T20	✓			
95972950002	0,001	Loctite 243 50 ml	✓			
71004320000	1	Cable Tie T40R	✓			
38061363001	1	Cover Motor Tower prem	✓			
56972500000	8	Mushroom head screw M4x12-A2-70	✓			
56739040000	1	Washer DIN125-A 4.3-A2-70	✓			
57451370000	1	Oval-head screw ISO14583 M4x12-A2-70-T20	✓			
57767040000	1	Spring lock washer DIN128-A4-FSt	✓			
57758610000	1	Toothed washer DIN6797-A 4,3-Fst	✓			

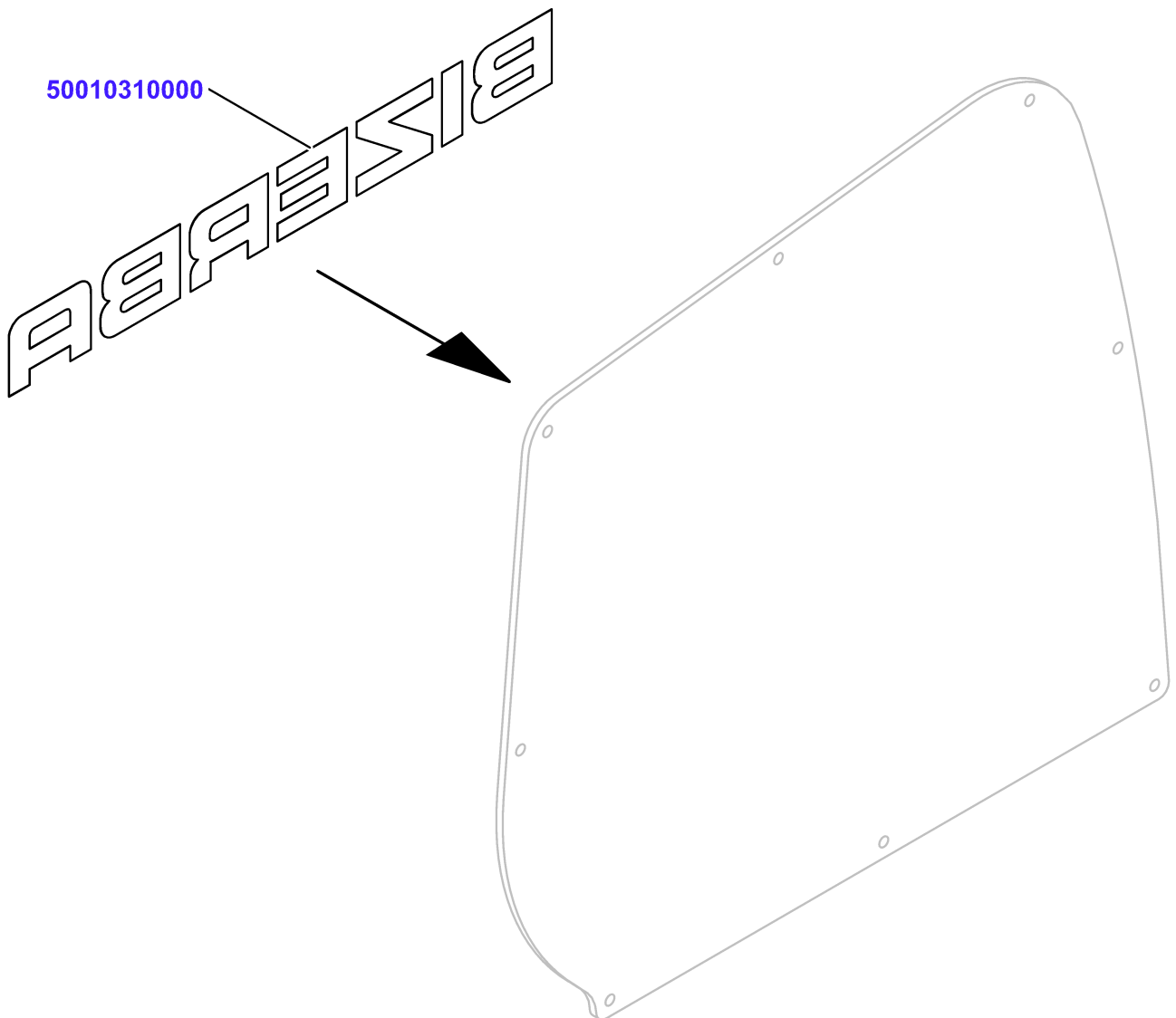
Cover Motor Tower prem



Cover Motor Tower prem

Material No.	Qty	Material description	available for order	Wear part	Recomm. sp. part	Metr. relevance
38061364002	1	Sealing				
38000471000	1	Cover Motor Tower				

Cover Motor Tower



Cover Motor Tower

Material No.	Qty	Material description
50010310000	1	Bizerba Lettering L255 H30

available for order

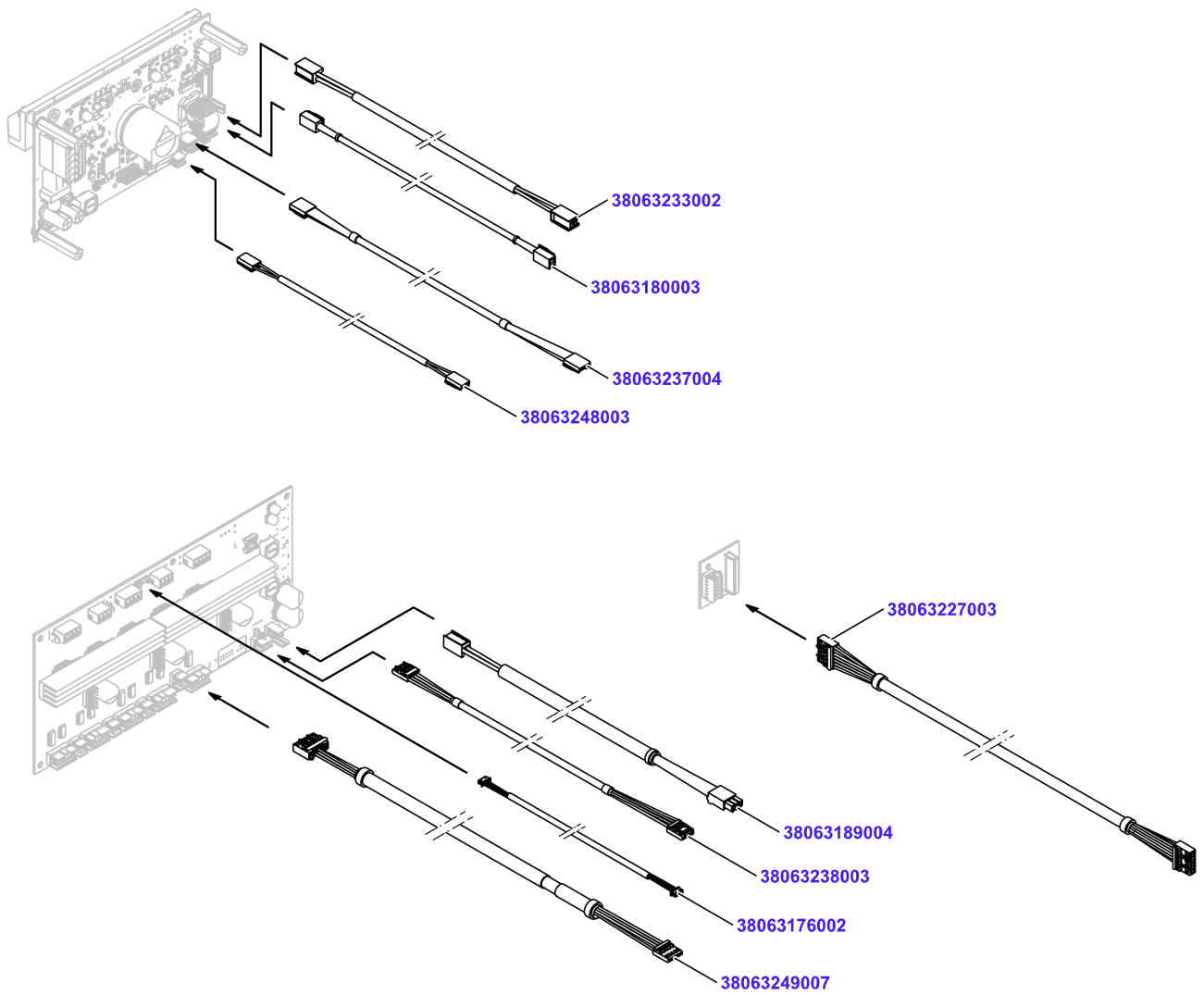
Wear part

Recomm. sp. part










Metr. relevance



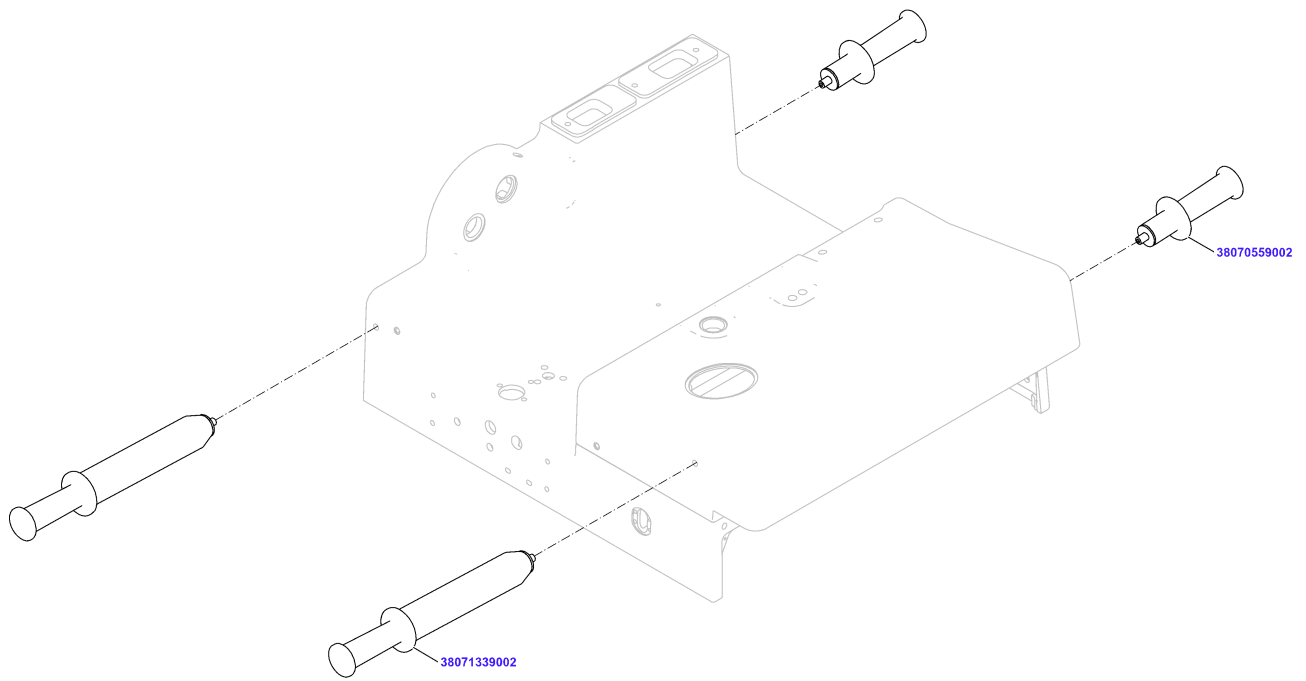
Cable set standard



Cable set standard

Material No.	Qty	Material description	available for order	Wear part	Recomm. sp. part	Metr. relevance
38063180003	1	Ka Rd 4x0,14 1,05m				
38063248003	1	Ka Rd 2x0,34 1,05m				
38063237004	1	Ka Rd 2x2x24AWG 0,87m				
38063233002	1	Ka Rd 2x0,75 0,77m				
38063238003	1	Ka Rd 2x2x24AWG 0,29m				
38063176002	1	Ka Rd 4x0,14 0,66m				
38063189004	1	Ca Rd 2x0,75 0,29m				
38063249007	1	Ka Rd 2x2xAWG26 0,38m				
38063227003	1	Ka Rd 8x2x0,14 0,50m				

Carry Handles Set VSI

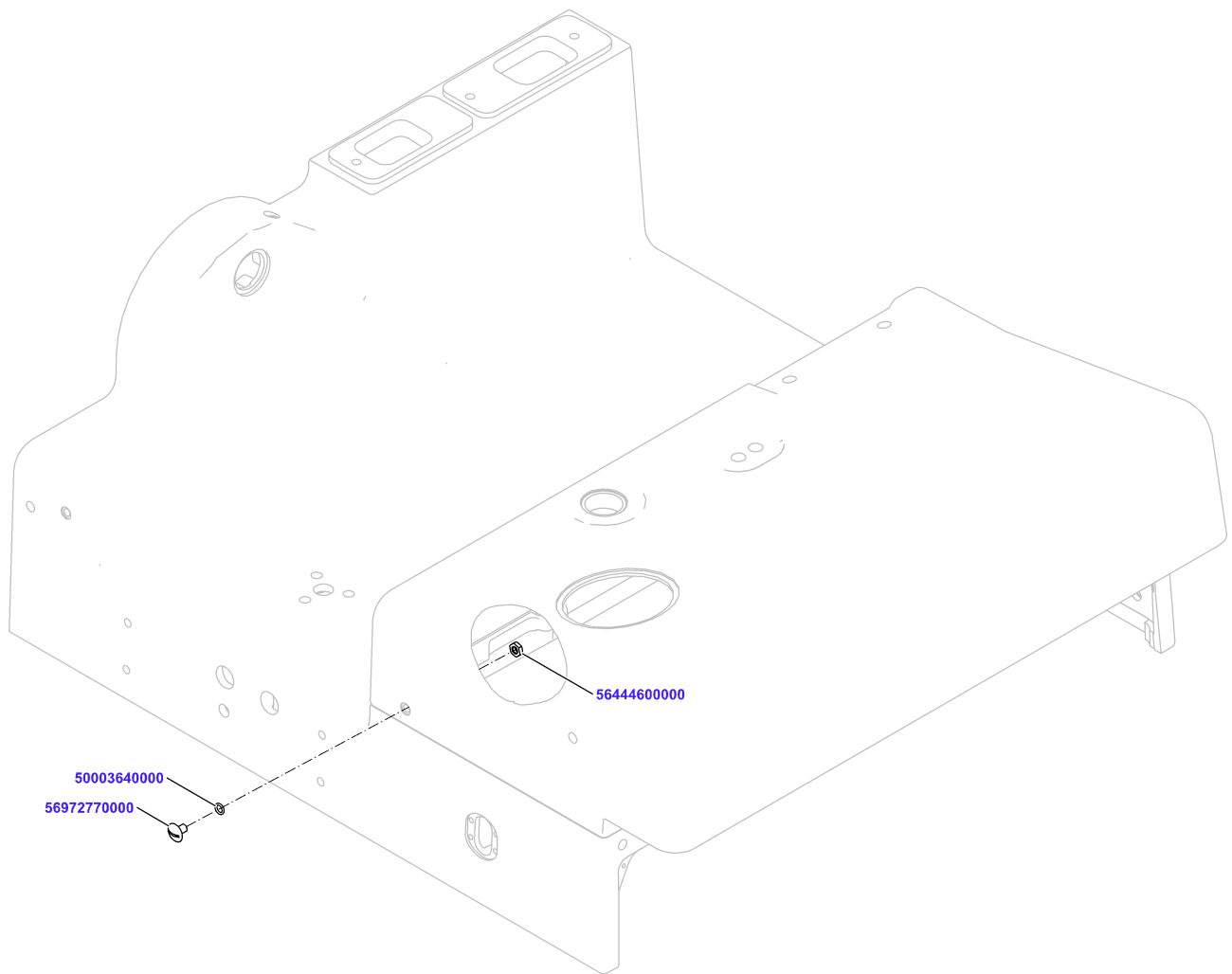


Carry Handles Set VSI




Material No.	Qty	Material description
38070559002	2	Handle preass
38071339002	2	Handle long preass

available for order	Wear part	Recomm. sp. part	Metr. relevance

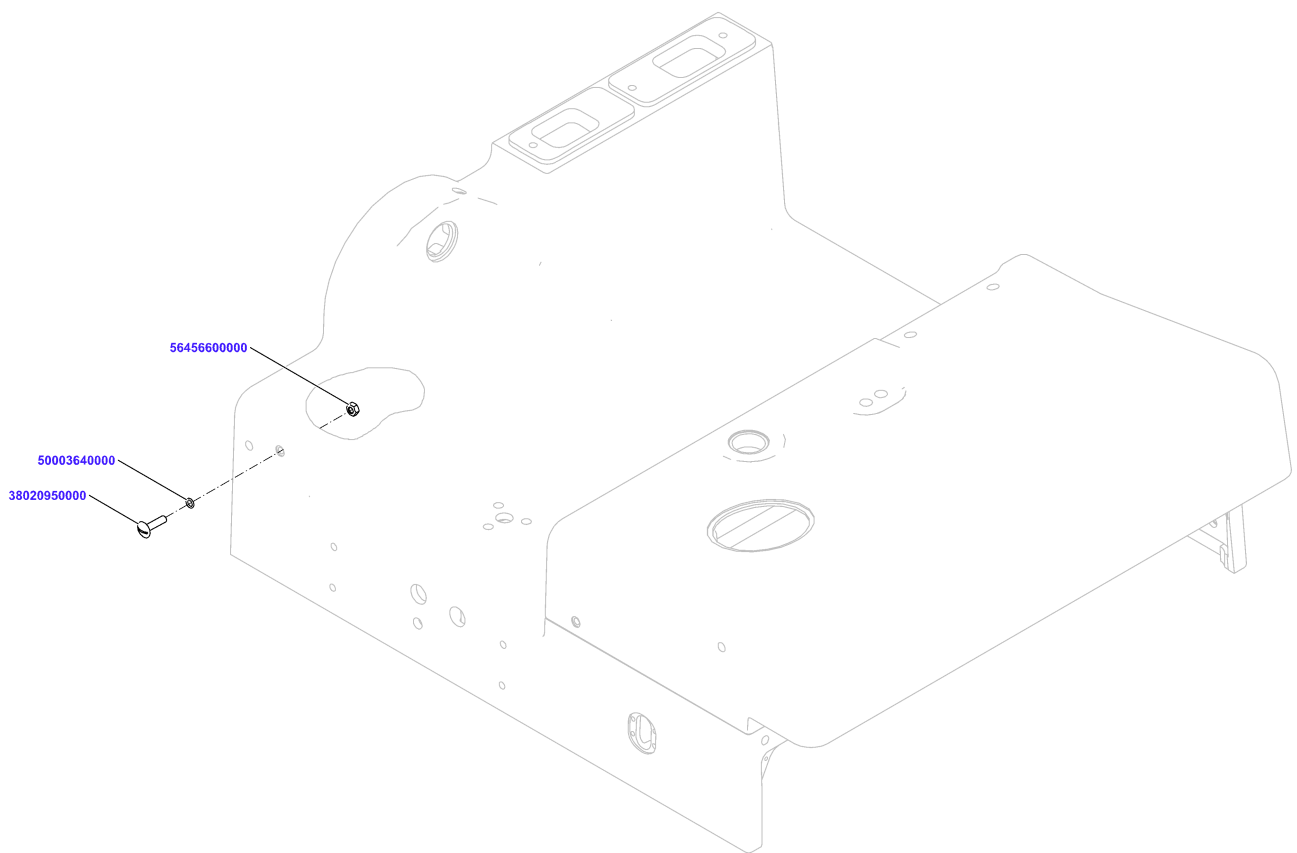
Screw Plug Machine Housing cpl






Screw Plug Machine Housing cpl

Material No.	Qty	Material description	available for order	Wear part	Recomm. sp. part	Metr. relevance
56972770000	1	Mushroom head screw M6x10-A2-70				
56444600000	1	Hexagon nut DIN439-M6-A2				
50003640000	1	O-ring DIN3771 6x1,5 NBR				

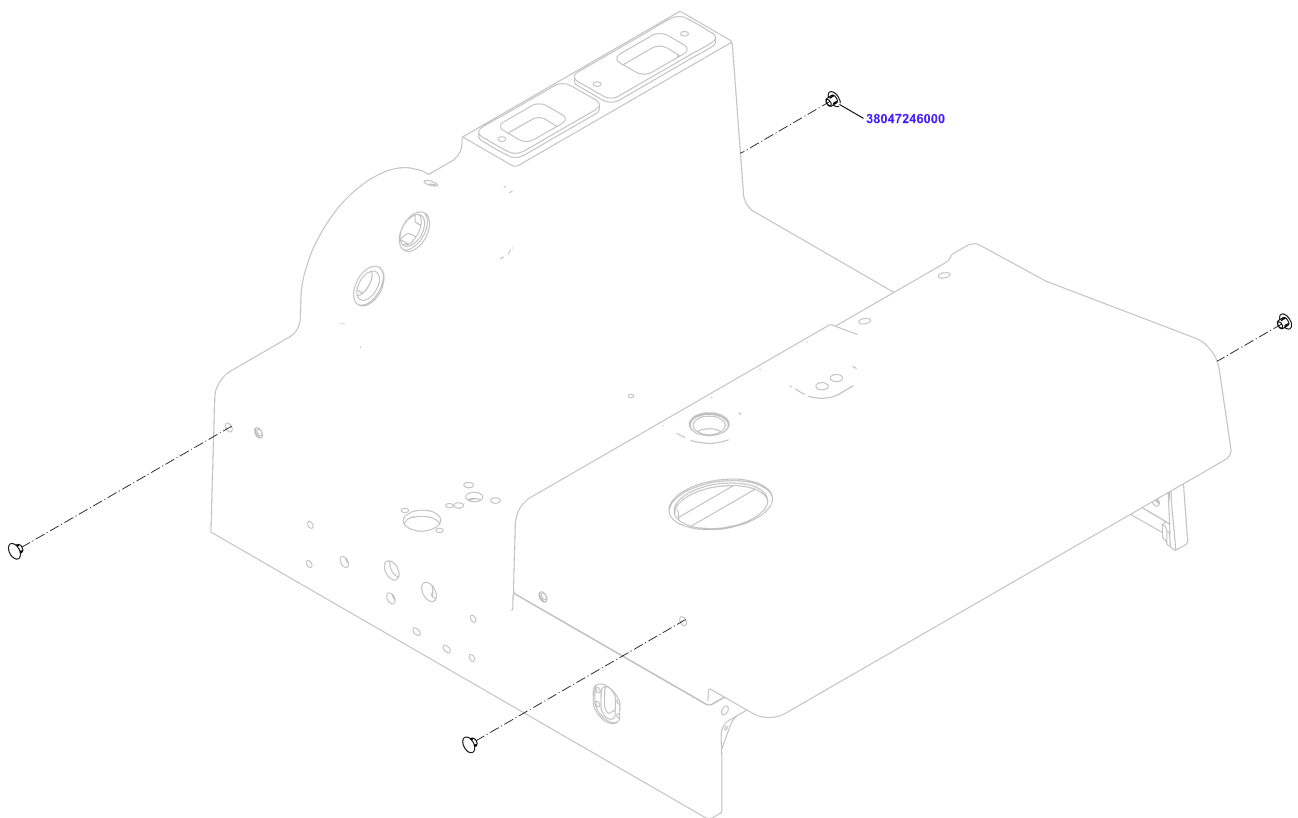
Screw Plug Drive Housing cpl



Screw Plug Drive Housing cpl

Material No.	Qty	Material description	available for order	Wear part	Recomm. sp. part	Metr. relevance
38020950000	1	Mushroom head screw M6x25-A2-70				
56456600000	1	Hexagon nut DIN934-M6-A2				
50003640000	1	O-ring DIN3771 6x1,5 NBR				

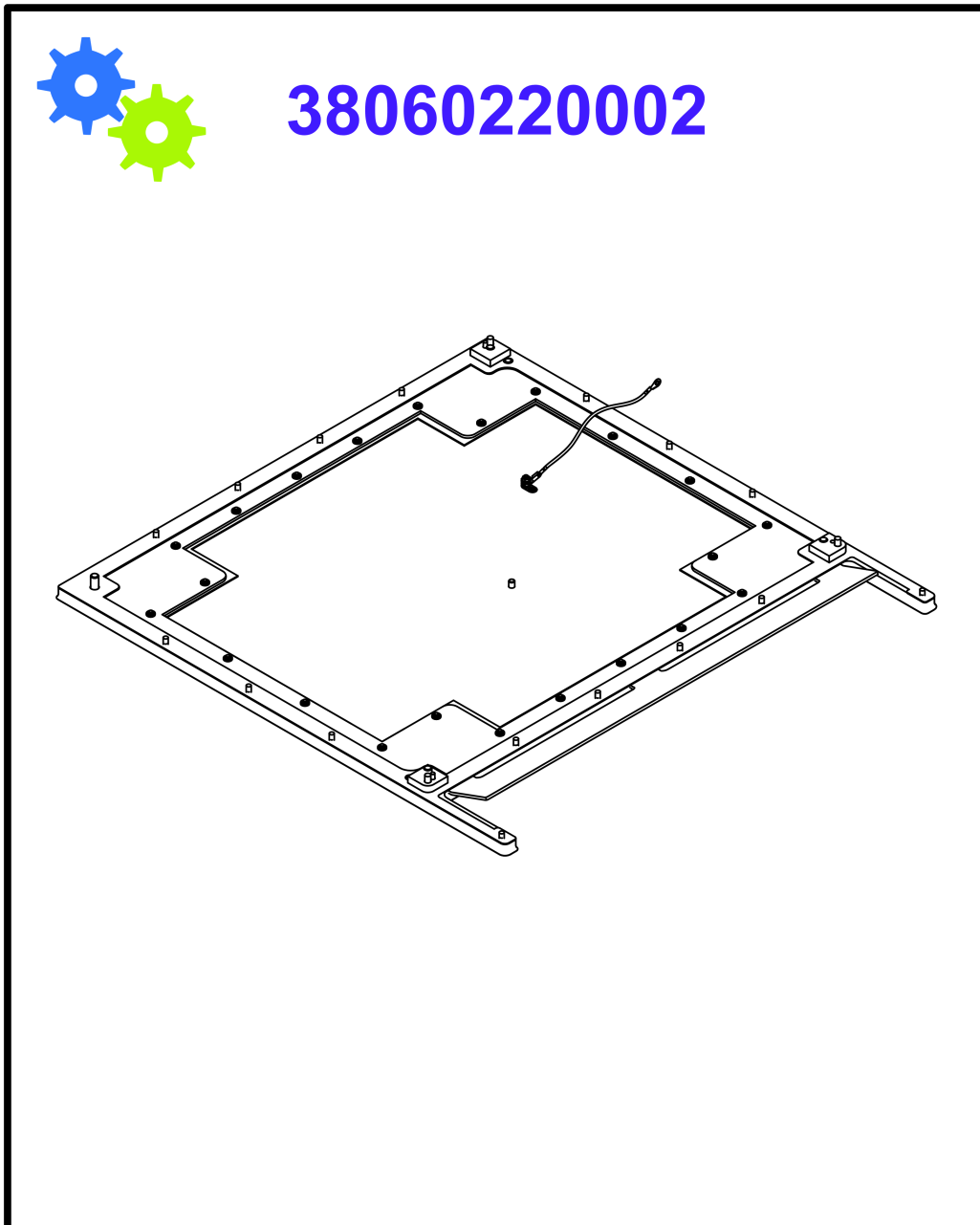
Covering Cap Set Carry Handles



Covering Cap Set Carry Handles

Material No.	Qty	Material description	available for order	Wear part	Recomm. sp. part	Metr. relevance
38047246000	8	Protective plug 15x8x6,9-PE	✓		✓	

Installations



Installations

Material No.	Qty	Material description
38060220002	1	Setup VSI w. Service Cover cpl.

available for order

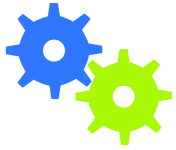
Wear part

Recomm. sp. part

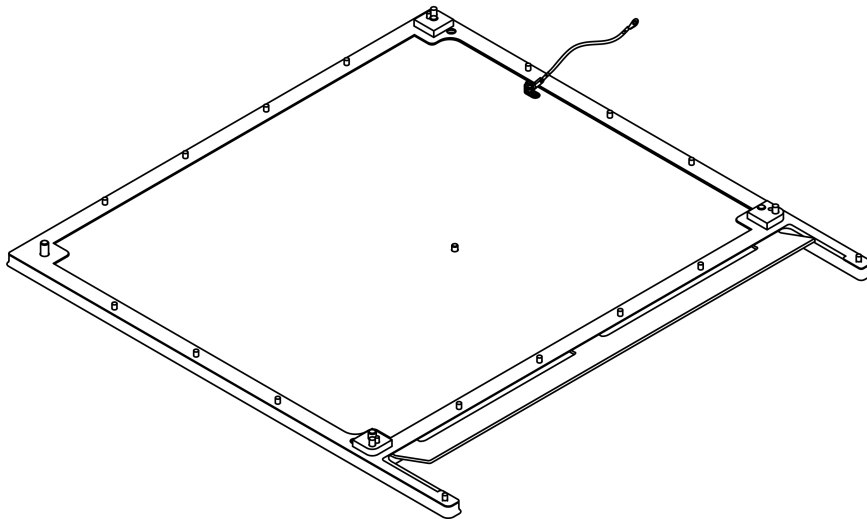
Metr. relevance



Installations



38068539002



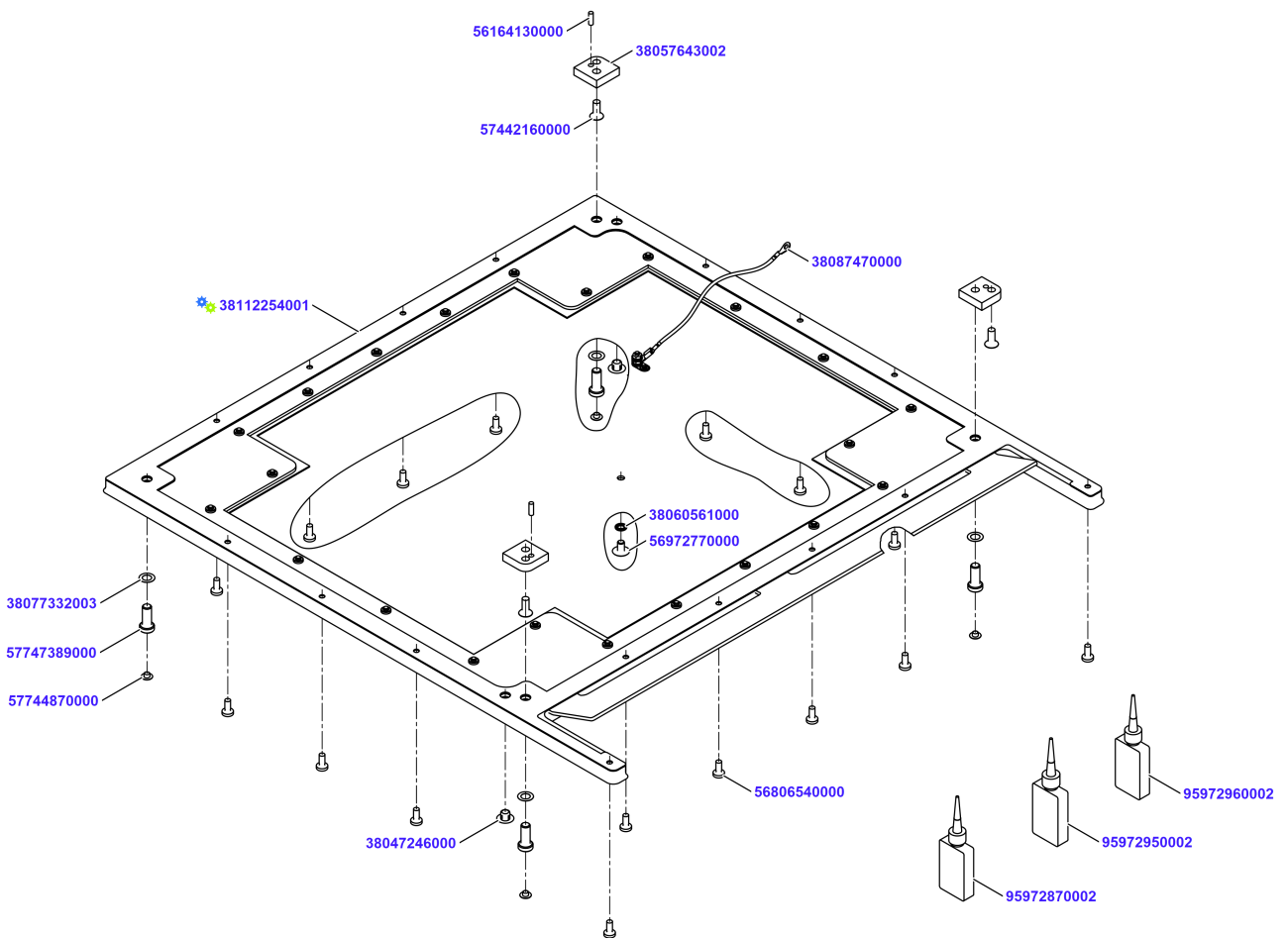
Installations

Material No. **Qty** **Material description**

[38068539002](#) 1 Setup VSI cpl.

available for order
Wear part
Recomm. sp. part
Metr. relevance

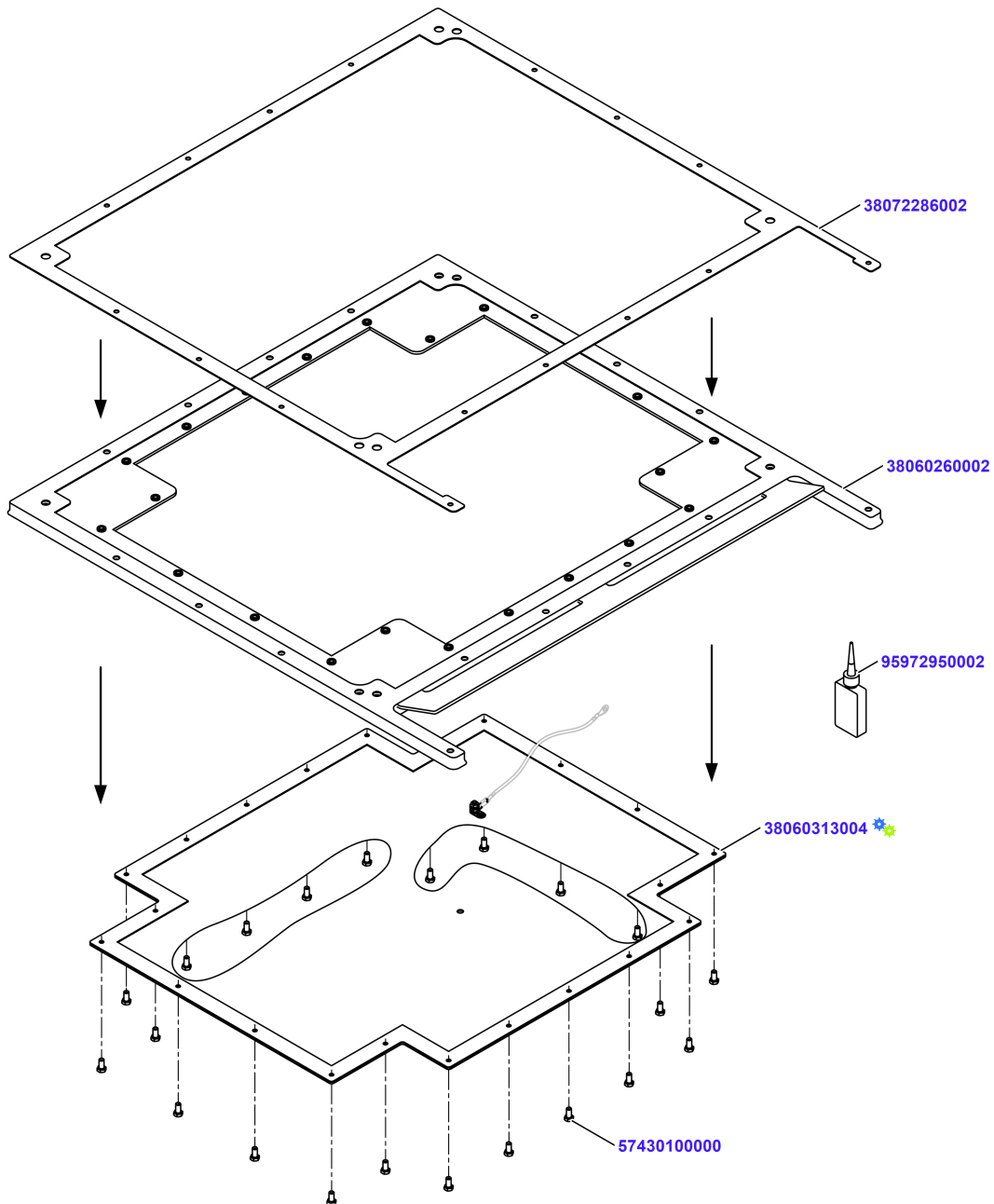
Setup VSI w. Service Cover cpl.



Setup VSI w. Service Cover cpl.

Material No.	Qty	Material description	available for order	Wear part	Recomm. sp. part	Metr. relevance
56164130000	2	Cylindrical pin EN 22338-4m6x12-A2	✓			
95972960002	0,001	Loctite 7649 500ml	✓			
95972870002	0,001	Loctite 638	✓			
38057643002	3	Plate	✓			
57442160000	3	Countersunk screw ISO 10642 M6x16-A2-70	✓			
38112254001	1	Setup w. Service Cover preass.	✓			
38087470000	1	Ka Li GN/YE AWG18 0,5m	✓			
57747389000	4	Cylinder screw DIN7984 M8x20-A2-70	✓			
38077332003	4	Thrusted washer 13,8x8,2x0,18	✓			
56806540000	16	Oval-head screw DIN7985 M5x12-A2-70	✓			
95972950002	0,001	Loctite 243 50 ml	✓			
56972770000	1	Mushroom head screw M6x10-A2-70	✓			
38060561000	1	Screw seal M6	✓		✓	
57744870000	4	Protective plug 10x5,2x3,1-PE	✓		✓	
38047246000	2	Protective plug 15x8x6,9-PE	✓		✓	

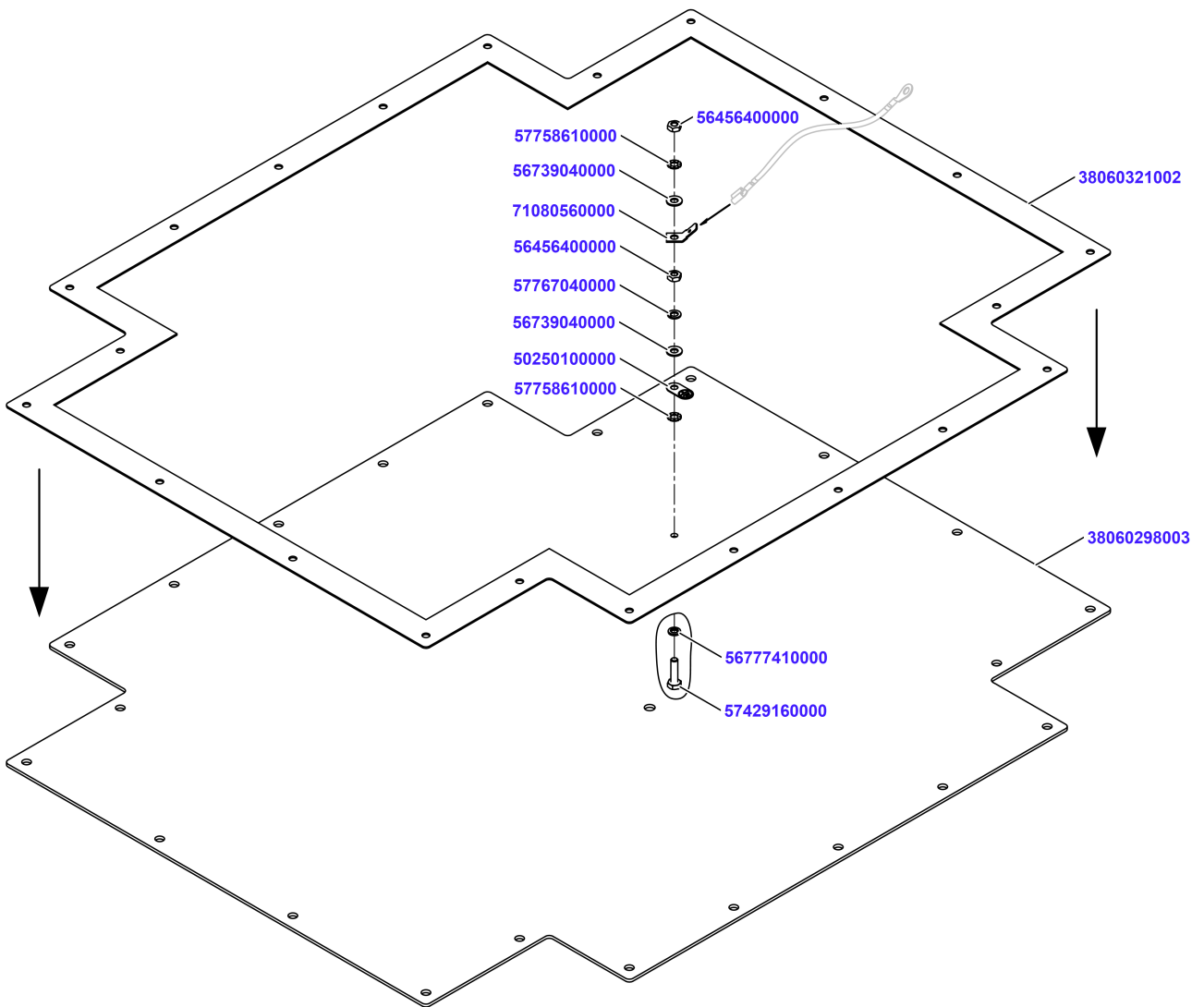
Setup w. Service Cover preass.



Setup w. Service Cover preass.

Material No.	Qty	Material description	available for order	Wear part	Recomm. sp. part	Metr. relevance
38060260002	1	Frame with Installation Bars	✓			
38072286002	1	Sealing	✓		✓	
38060313004	1	Service Cover prem.	✓			
57430100000	22	Hexagon screw DIN933 M5x10 A2-70	✓			
95972950002	0,001	Loctite 243 50 ml	✓			

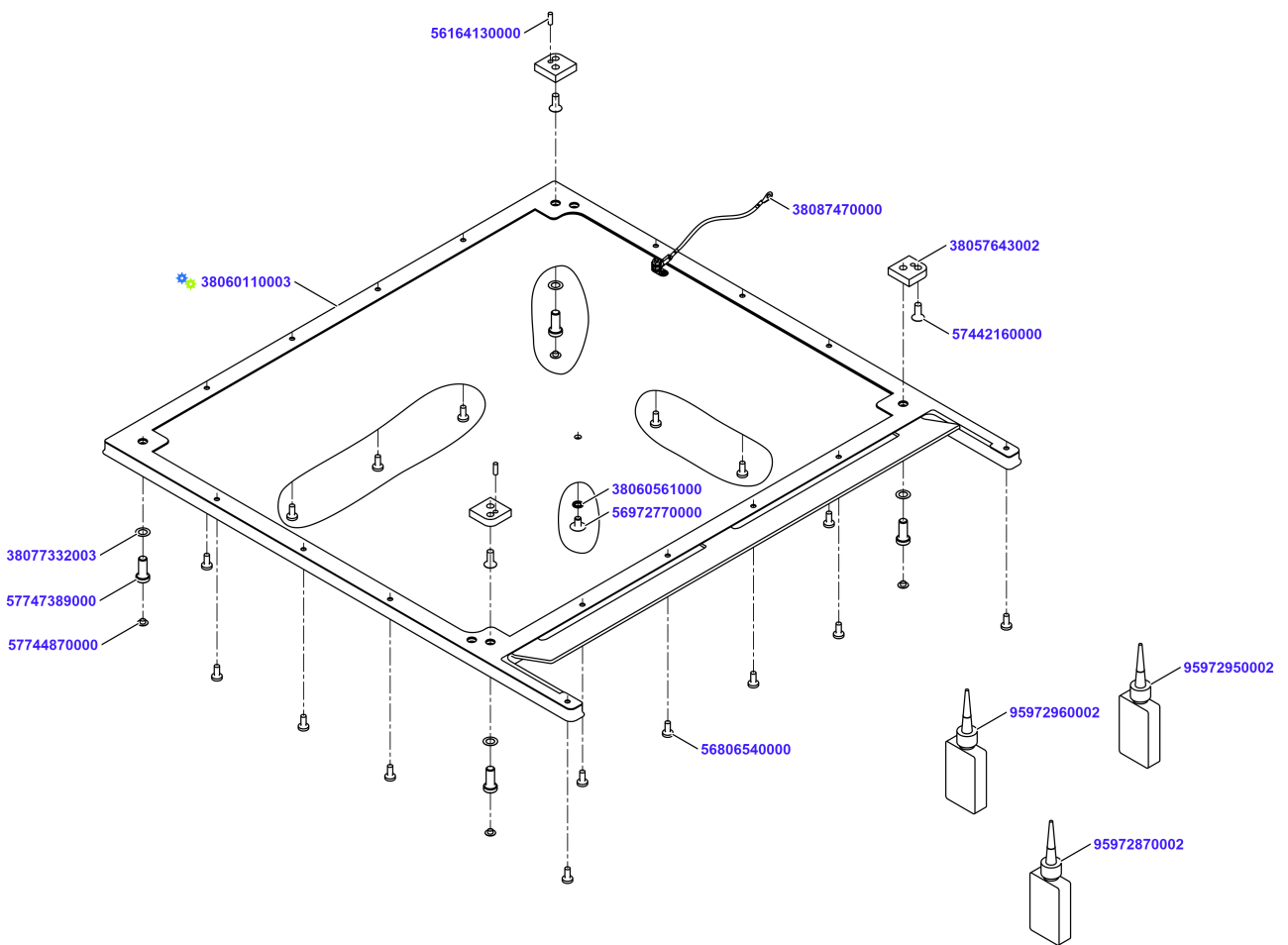
Service Cover prem.



Service Cover prem.

Material No.	Qty	Material description	available for order	Wear part	Recomm. sp. part	Metr. relevance
38060298003	1	Cover	✓			
38060321002	1	Sealing	✓		✓	
57429160000	1	Hexagon screw DIN933 M4x16 A2-70	✓			
56777410000	1	Screw seal M4	✓		✓	
57758610000	1	Toothed washer DIN6797-A 4,3-Fst	✓			
50250100000	1	Grounding Plate 9x17/4.3 D	✓			
56739040000	1	Washer DIN125-A 4.3-A2-70	✓			
57767040000	1	Spring lock washer DIN128-A4-FSt	✓			
56456400000	1	Hexagon nut DIN934-M4-A2	✓			
71080560000	1	Flat Plug 6.3 DIN4634	✓			
56739040000	1	Washer DIN125-A 4.3-A2-70	✓			
57758610000	1	Toothed washer DIN6797-A 4,3-Fst	✓			
56456400000	1	Hexagon nut DIN934-M4-A2	✓			

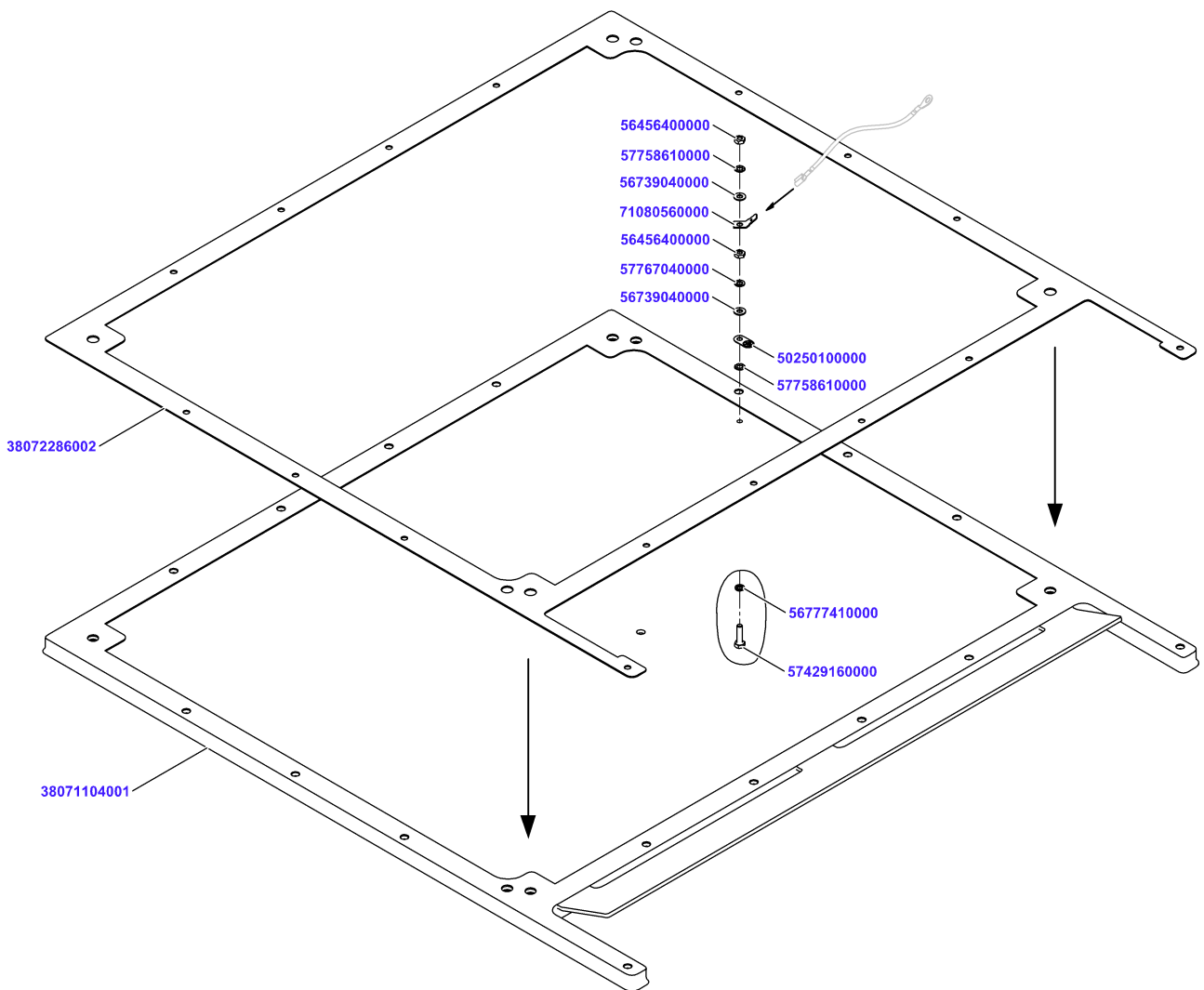
Setup VSI cpl.



Setup VSI cpl.

Material No.	Qty	Material description	available for order	Wear part	Recomm. sp. part	Metr. relevance
56164130000	2	Cylindrical pin EN 22338-4m6x12-A2	✓			
95972960002	0,001	Loctite 7649 500ml	✓			
95972870002	0,001	Loctite 638	✓			
38057643002	3	Plate	✓			
57442160000	3	Countersunk screw ISO 10642 M6x16-A2-70	✓			
95972950002	0,001	Loctite 243 50 ml	✓			
38060110003	1	Setup preass.	✓			
38087470000	1	Ka Li GN/YE AWG18 0,5m	✓			
57747389000	4	Cylinder screw DIN7984 M8x20-A2-70	✓			
38077332003	4	Thrusted washer 13,8x8,2x0,18	✓			
56806540000	16	Oval-head screw DIN7985 M5x12-A2-70	✓			
56972770000	1	Mushroom head screw M6x10-A2-70	✓			
38060561000	1	Screw seal M6	✓		✓	
57744870000	4	Protective plug 10x5,2x3,1-PE	✓		✓	

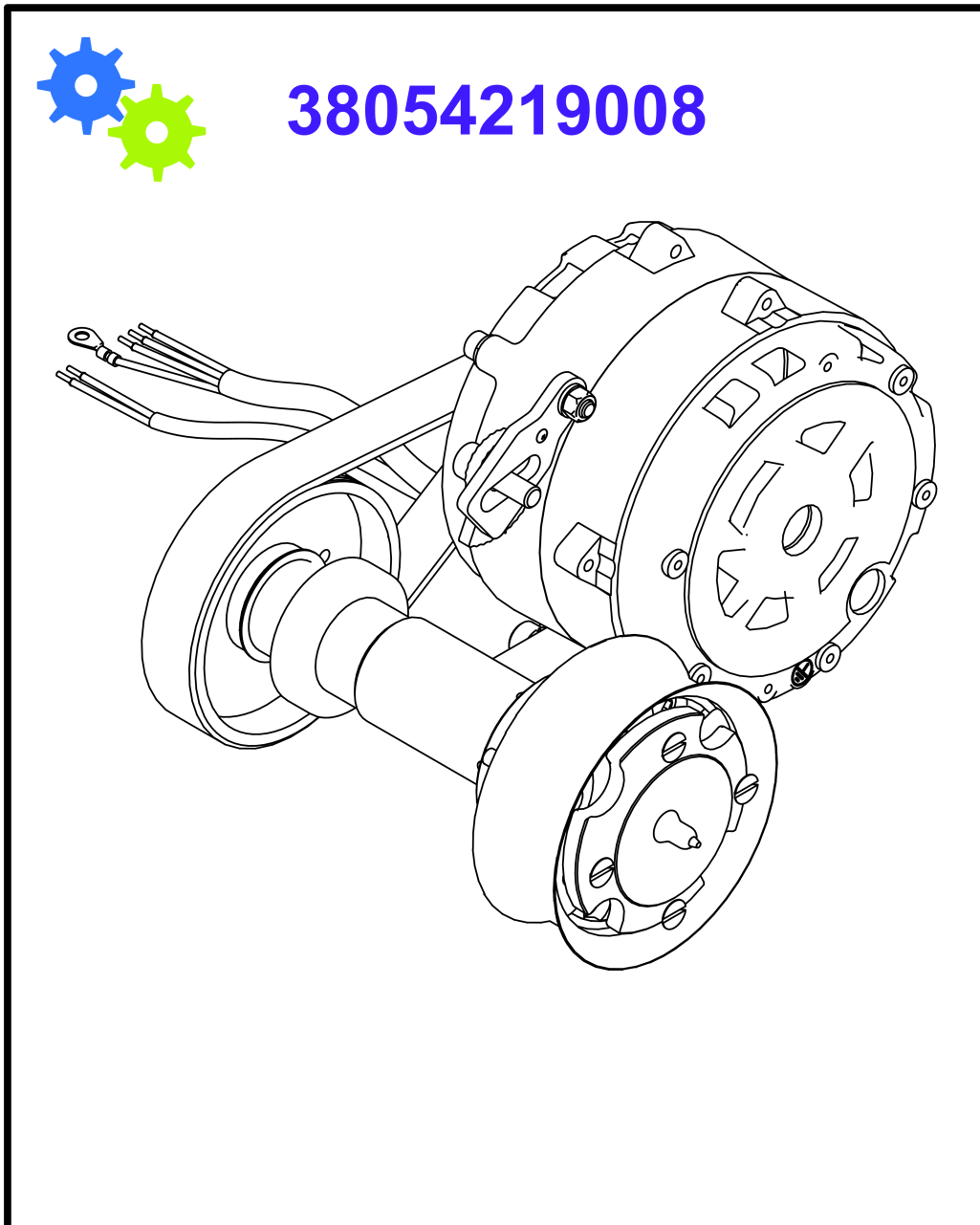
Setup preass.



Setup preass.

Material No.	Qty	Material description	available for order	Wear part	Recomm. sp. part	Metr. relevance
38071104001	1	Bottom Plate with Installation Bars	✓			
38072286002	1	Sealing	✓		✓	
56777410000	1	Screw seal M4	✓		✓	
57429160000	1	Hexagon screw DIN933 M4x16 A2-70	✓			
57758610000	1	Toothed washer DIN6797-A 4,3-Fst	✓			
50250100000	1	Grounding Plate 9x17/4.3 D	✓			
56739040000	1	Washer DIN125-A 4.3-A2-70	✓			
57767040000	1	Spring lock washer DIN128-A4-FSt	✓			
56456400000	1	Hexagon nut DIN934-M4-A2	✓			
71080560000	1	Flat Plug 6.3 DIN4634	✓			
56739040000	1	Washer DIN125-A 4.3-A2-70	✓			
57758610000	1	Toothed washer DIN6797-A 4,3-Fst	✓			
56456400000	1	Hexagon nut DIN934-M4-A2	✓			

Blade drive

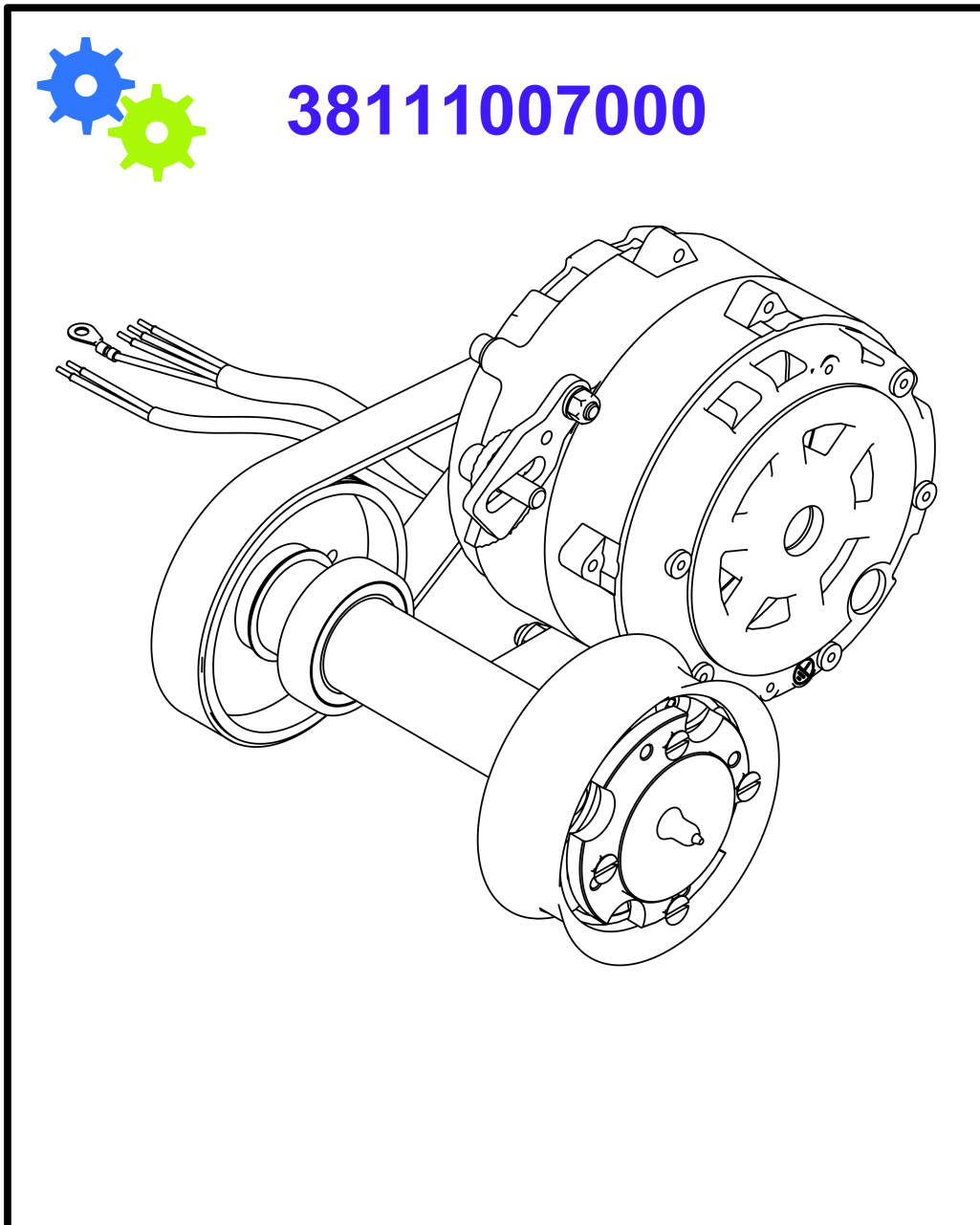


Blade drive

available for order
Wear part
Recomm. sp. part
Metr. relevance

Material No.	Qty	Material description
38054219008	1	Blade Drive VSI cpl

Blade drive



Blade drive

Material No. **Qty** **Material description**

[38111007000](#) 1 Blade Drive one-piece VSI cpl.

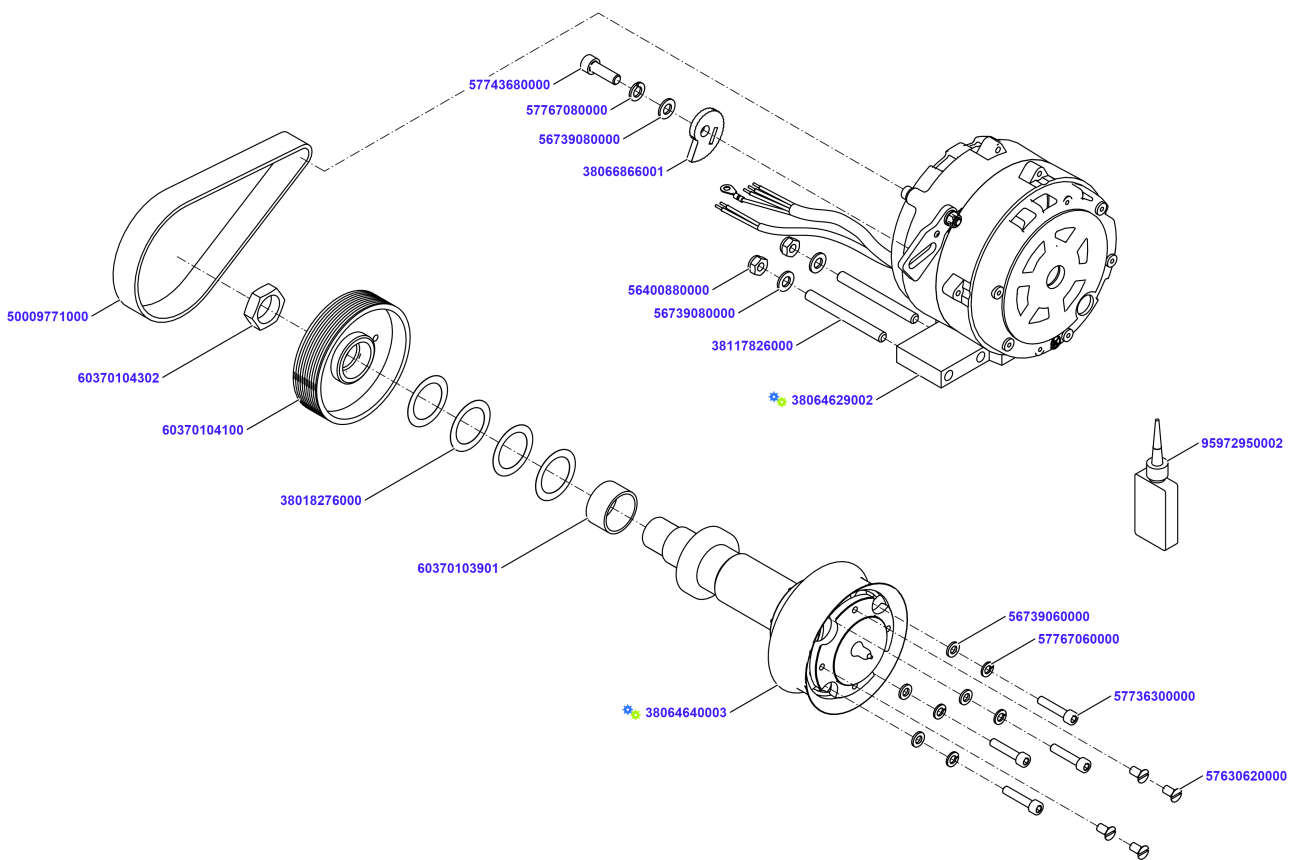
available for order

Wear part

Recomm. sp. part

Metr. relevance

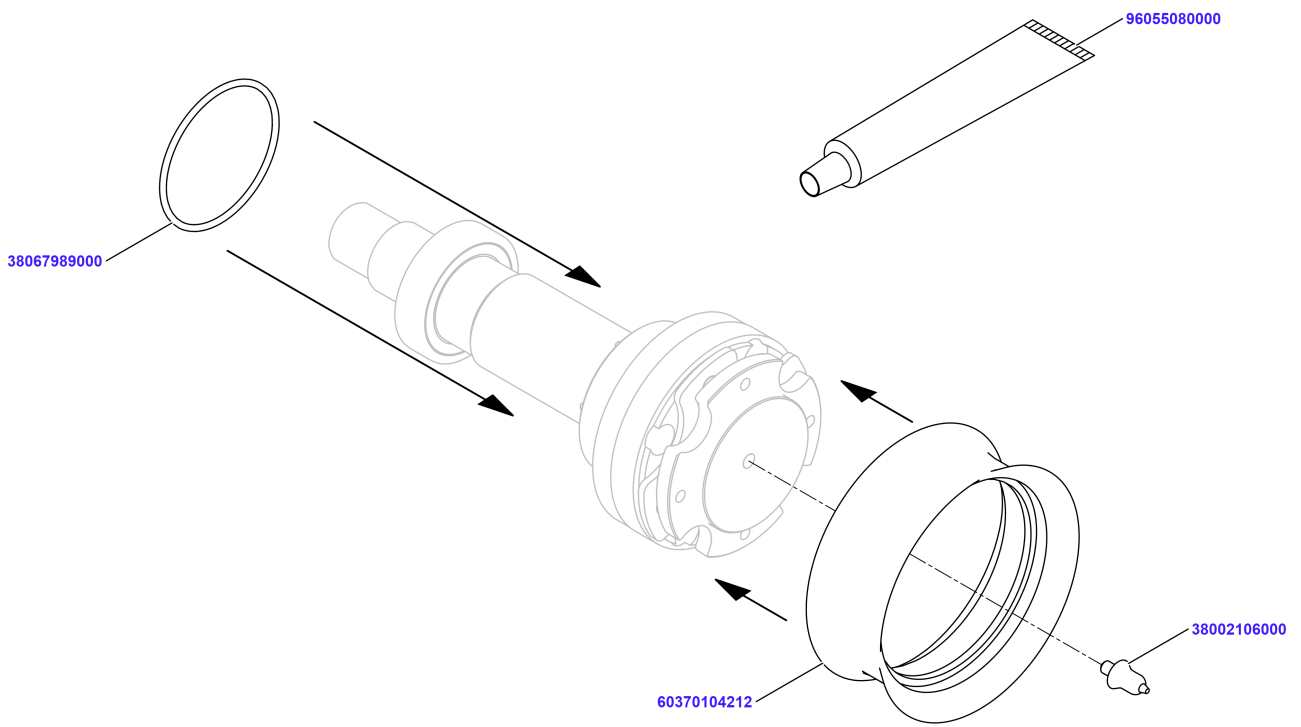
Blade Drive VSI cpl







Blade Drive VSI cpl

Material No.	Qty	Material description	available for order	Wear part	Recomm. sp. part	Metr. relevance
38064640003	1	Blade bearing cpl	✓		✓	
57736300000	4	SOCKET HEAD SCREW DIN 912- M6X30- 8.8	✓			
57767060000	4	Spring lock washer DIN128-A6-FSt	✓			
56739060000	4	Washer DIN125-A-6-A2	✓			
38064629002	1	Motor cpl	✓			
38117826000	2	Threaded bolt DIN 913-M8x80-A2	✓			
56739080000	2	Washer DIN125-A-8-A2	✓			
56400880000	2	Lock nut DIN985-M8-A2	✓			
38066866001	1	Tappet	✓			
57743680000	1	Cylinder screw DIN912 M8x25-A2-70	✓			
57767080000	1	Spring lock washer DIN128-A8-A2	✓			
56739080000	1	Washer DIN125-A-8-A2	✓			
60370103901	1	Spacer ring 19mm	✓			
38018276000	4	Shim ring DIN988-30x42x0,2	✓			
60370104100	1	BELT PULLEY	✓			
60370104302	1	Hexagon nut M25x1,5 SW30	✓			
50009771000	1	V-ribbed belt 10 PJ 457	✓	✓	✓	
57630620000	4	Countersunk screw DIN963 M6x12-A2-70	✓			
95972950002	0,001	Loctite 243 50 ml	✓			

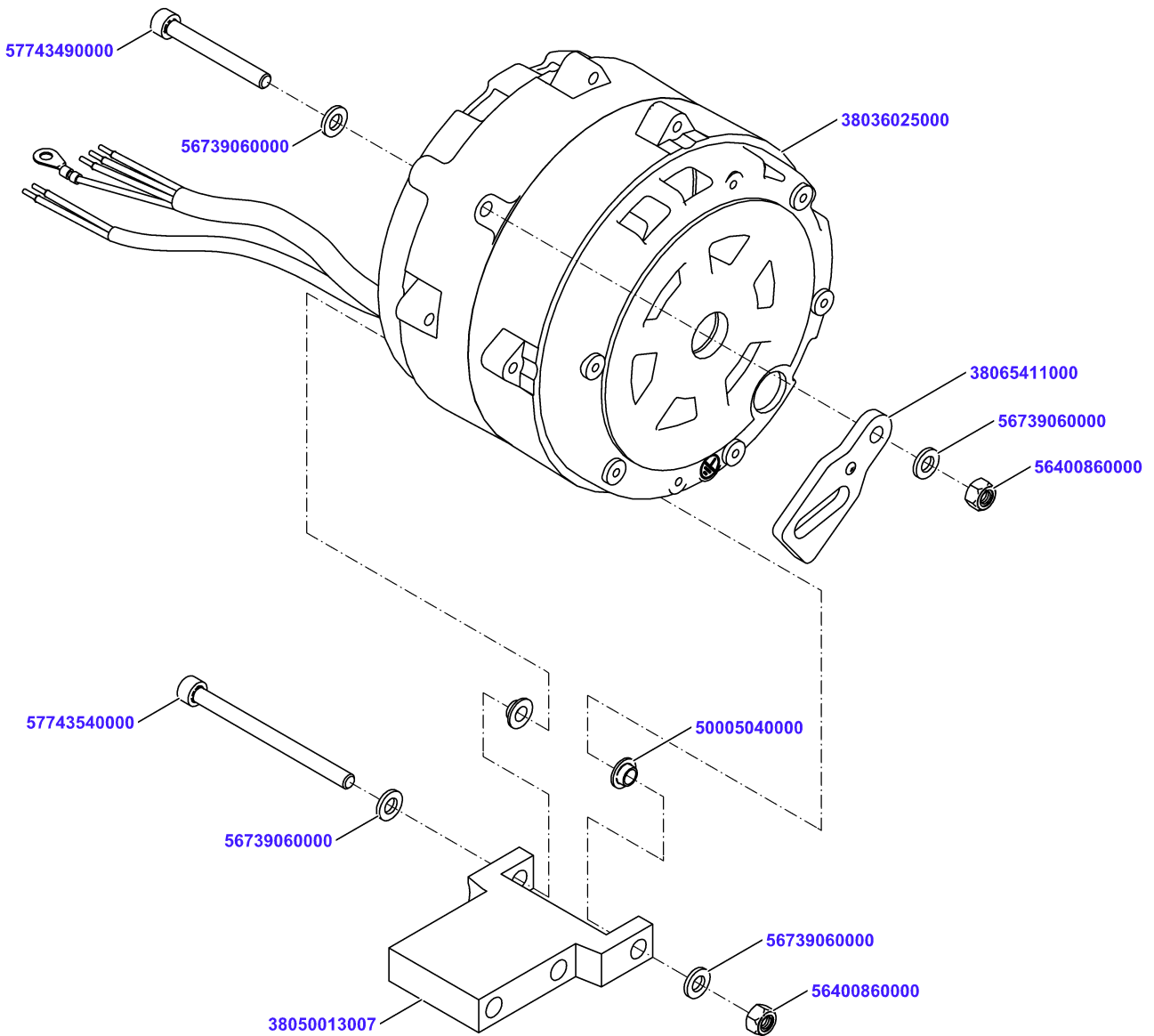
Blade bearing cpl



Blade bearing cpl

Material No.	Qty	Material description	available for order	Wear part	Recomm. sp. part	Metr. relevance
38067989000	1	O-ring 58,42x2,62 NBR				
60370104212	1	Sealing ring blade 108x84x40				
96055080000	0,001	Kluebersynth UH1 64-62/25kg				
38002106000	1	Shoring bolt				

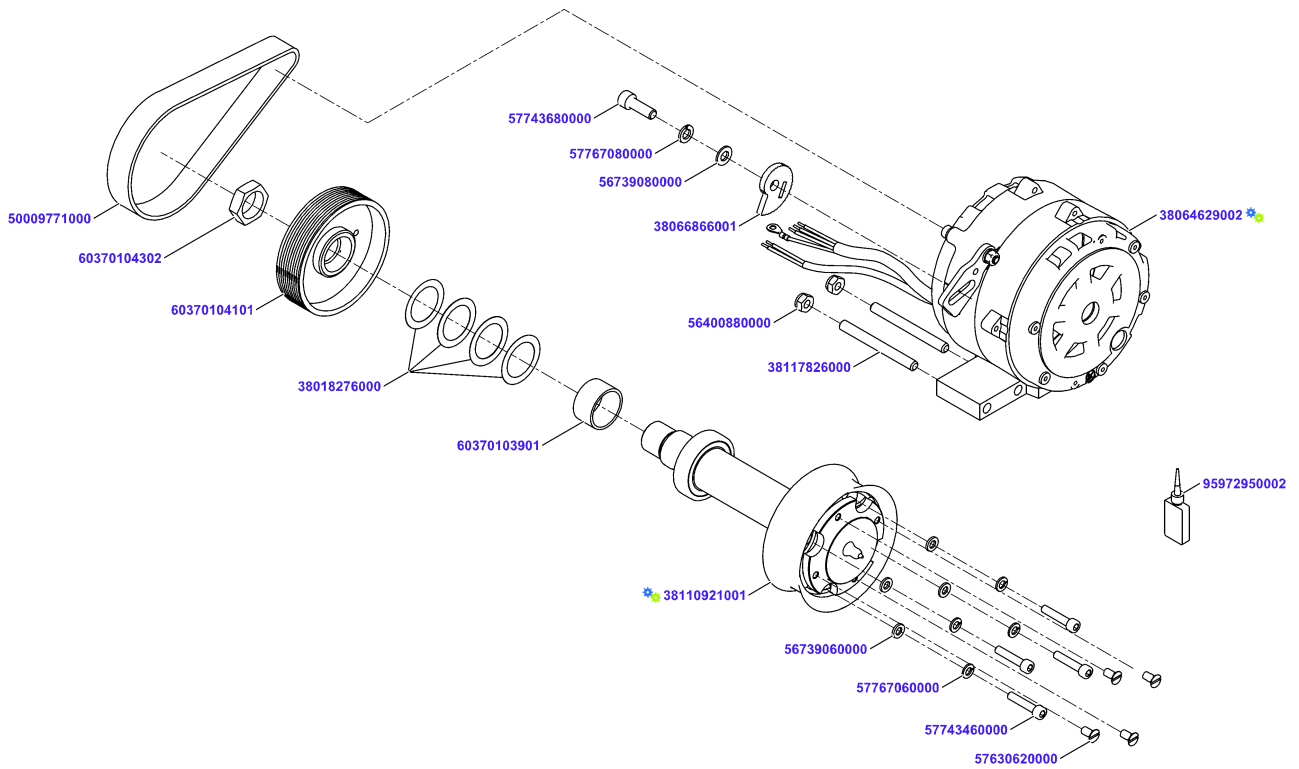
Motor cpl



Motor cpl

Material No.	Qty	Material description	available for order	Wear part	Recomm. sp. part	Metr. relevance
38036025000	1	Motor VS 12 DRS 100V/50HZ thermal prot.	✓		✓	
57743490000	1	Cylinder screw DIN912 M6x50-A2-70	✓			
38065411000	1	Clamp cpl	✓			
56400860000	1	Lock nut DIN985-M6-A2	✓			
56739060000	2	Washer DIN125-A-6-A2	✓			
38050013007	1	Bearing Pedestal	✓			
50005040000	2	Plain bearing w. flange 6x12x8x4	✓			
57743540000	1	Cylinder screw DIN912 M6x80-A2-70	✓			
56739060000	2	Washer DIN125-A-6-A2	✓			
56400860000	1	Lock nut DIN985-M6-A2	✓			

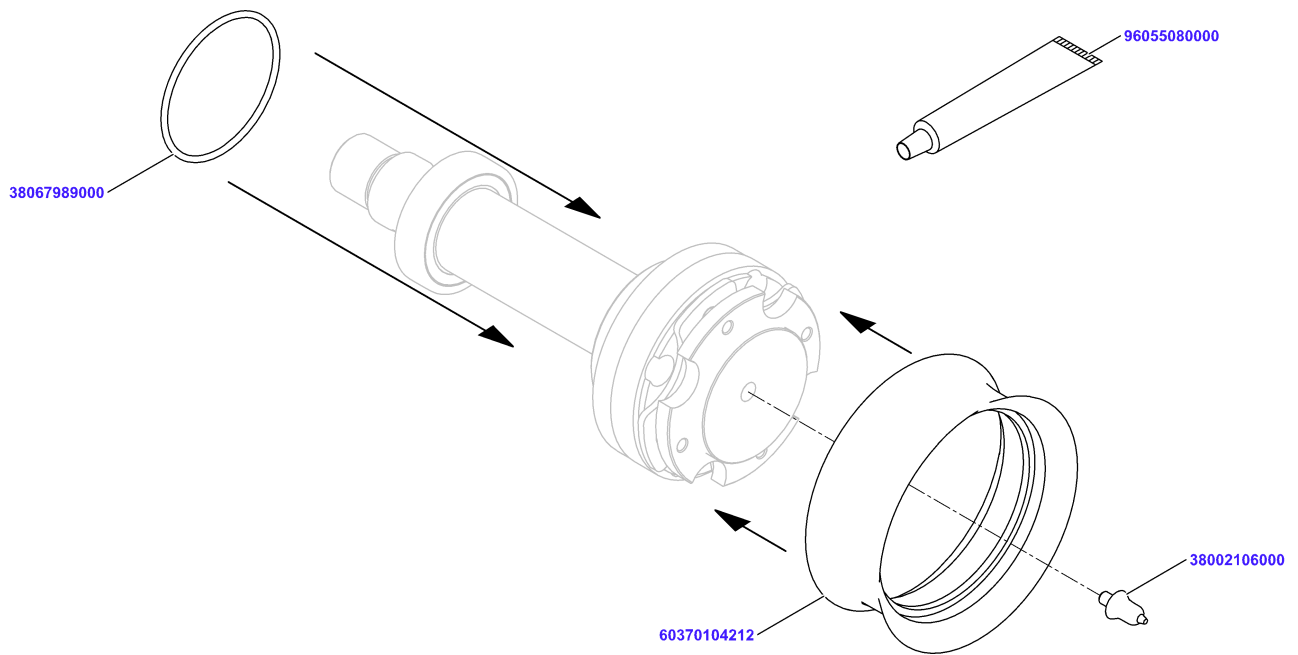
Blade Drive one-piece VSI cpl.



Blade Drive one-piece VSI cpl.

Material No.	Qty	Material description	available for order	Wear part	Recomm. sp. part	Metr. relevance
38110921001	1	Blade Bearing one-piece cpl.	✓		✓	
57743460000	4	Cylinder screw DIN912 M6x30-A2-70	✓			
57767060000	4	Spring lock washer DIN128-A6-FSt	✓			
56739060000	4	Washer DIN125-A-6-A2	✓			
38064629002	1	Motor cpl	✓			
38117826000	2	Threaded bolt DIN 913-M8x80-A2	✓			
95972950002	0,001	Loctite 243 50 ml	✓			
56400880000	2	Lock nut DIN985-M8-A2	✓			
38066866001	1	Tappet	✓			
57743680000	1	Cylinder screw DIN912 M8x25-A2-70	✓			
57767080000	1	Spring lock washer DIN128-A8-A2	✓			
56739080000	1	Washer DIN125-A-8-A2	✓			
60370103901	1	Spacer ring 19mm	✓			
38018276000	4	Shim ring DIN988-30x42x0,2	✓			
60370104101	1	Belt pulley PolyV 98,4	✓			
60370104302	1	Hexagon nut M25x1,5 SW30	✓			
50009771000	1	V-ribbed belt 10 PJ 457	✓	✓	✓	
57630620000	4	Countersunk screw DIN963 M6x12-A2-70	✓			

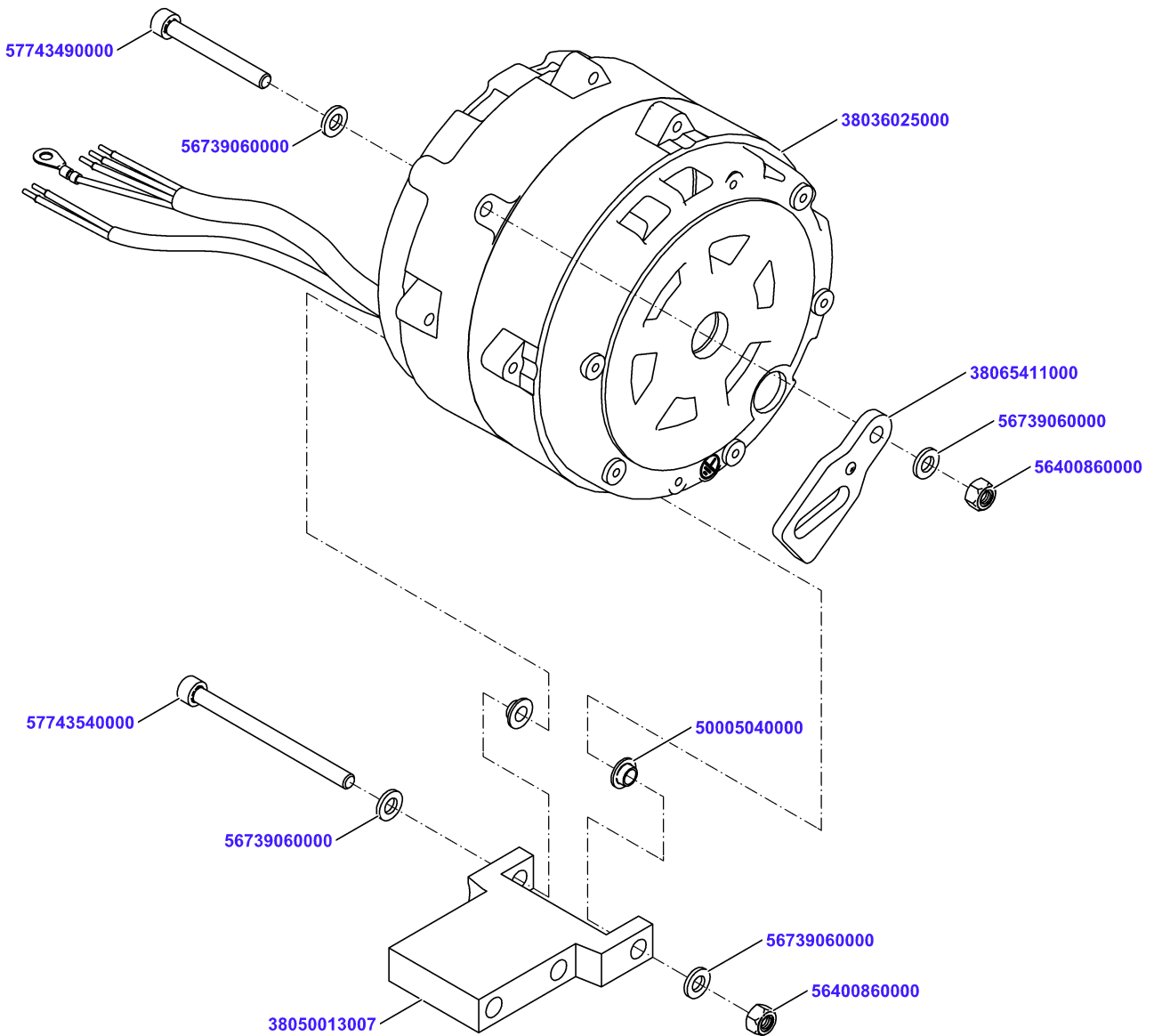
Blade Bearing one-piece cpl.



Blade Bearing one-piece cpl.

Material No.	Qty	Material description	available for order	Wear part	Recomm. sp. part	Metr. relevance
60370104212	1	Sealing ring blade 108x84x40	✓			
96055080000	0,001	Kluebersynth UH1 64-62/25kg	✓			
38067989000	1	O-ring 58,42x2,62 NBR	✓			
38002106000	1	Shoring bolt	✓			

Motor cpl

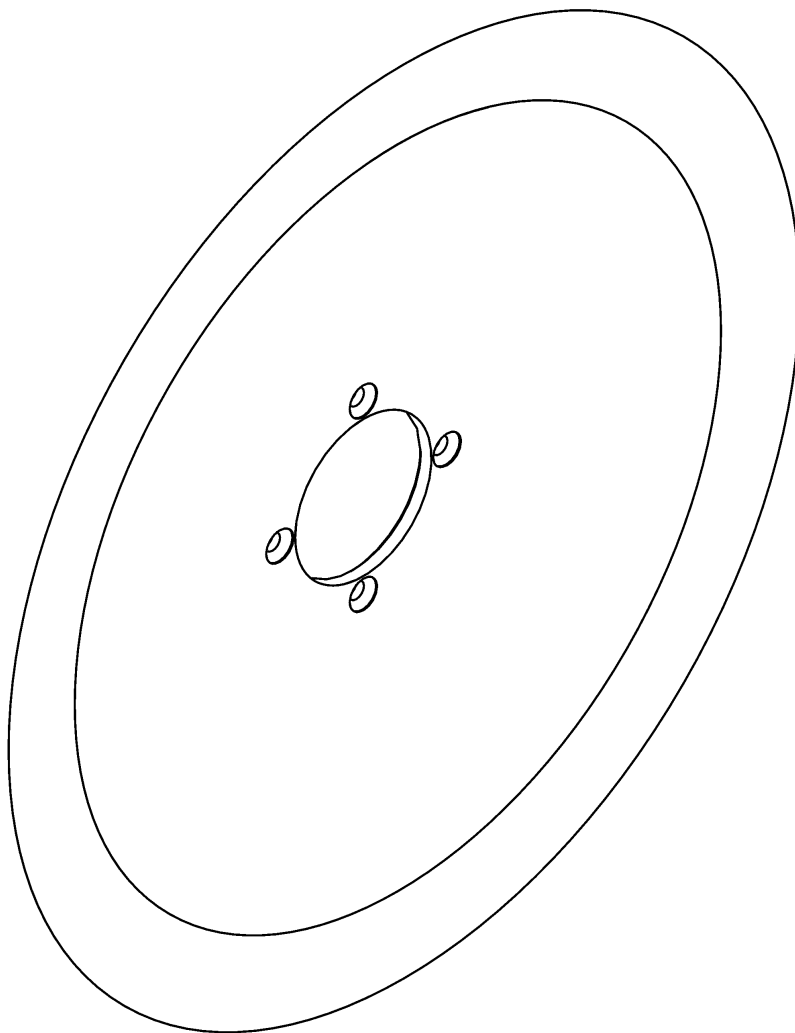


Motor cpl

Material No.	Qty	Material description	available for order	Wear part	Recomm. sp. part	Metr. relevance
38036025000	1	Motor VS 12 DRS 100V/50HZ thermal prot.				
57743490000	1	Cylinder screw DIN912 M6x50-A2-70				
38065411000	1	Clamp cpl				
56400860000	1	Lock nut DIN985-M6-A2				
56739060000	2	Washer DIN125-A-6-A2				
38050013007	1	Bearing Pedestal				
50005040000	2	Plain bearing w. flange 6x12x8x4				
57743540000	1	Cylinder screw DIN912 M6x80-A2-70				
56739060000	2	Washer DIN125-A-6-A2				
56400860000	1	Lock nut DIN985-M6-A2				

Blades

3806777001

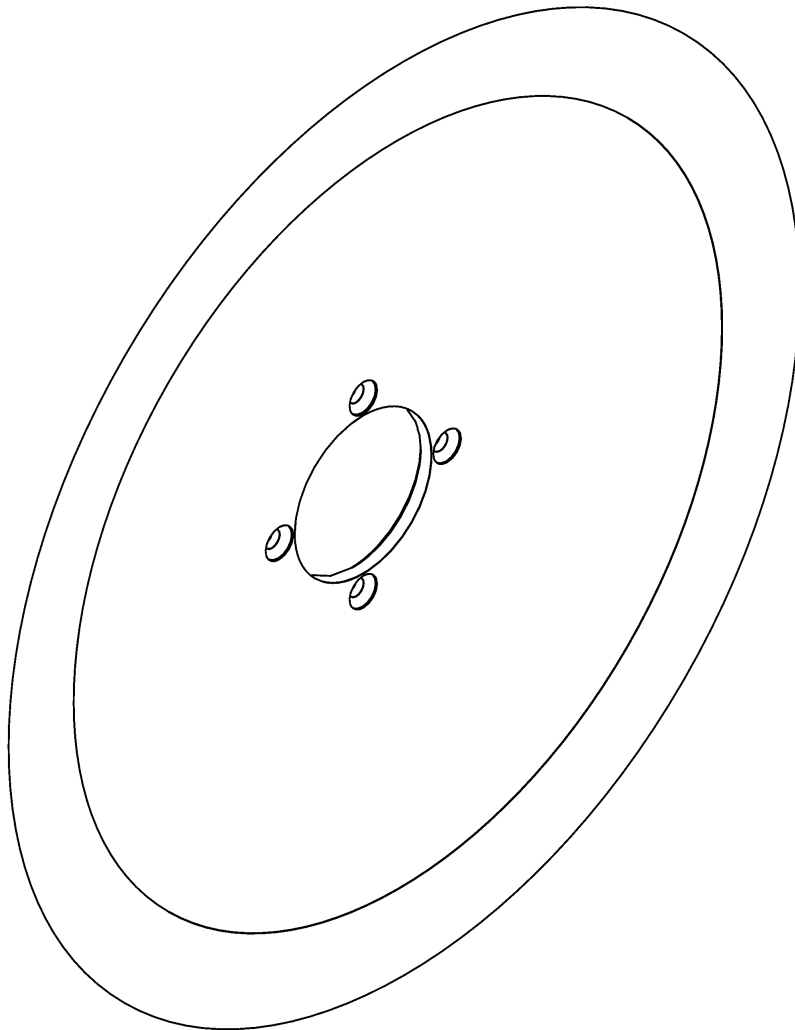


Blades

Material No.	Qty	Material description	available for order	Wear part	Recomm. sp. part	Metr. relevance
38067777001	1	Blade 330 C Slayer Service	✓	✓	✓	

Blades

38080336000

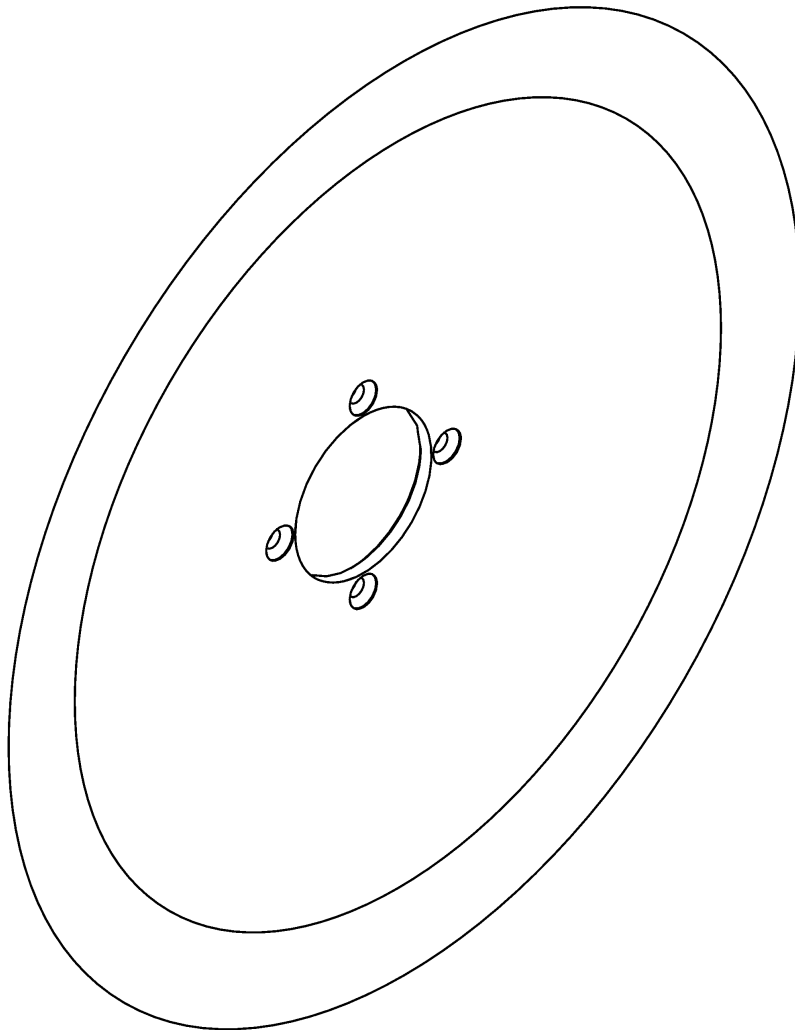


Blades

Material No.	Qty	Material description	available for order	Wear part	Recomm. sp. part	Metr. relevance
38080336000	1	Blade 330 Cr Chiaravalli Service	✓	✓	✓	



Blades

38111166000



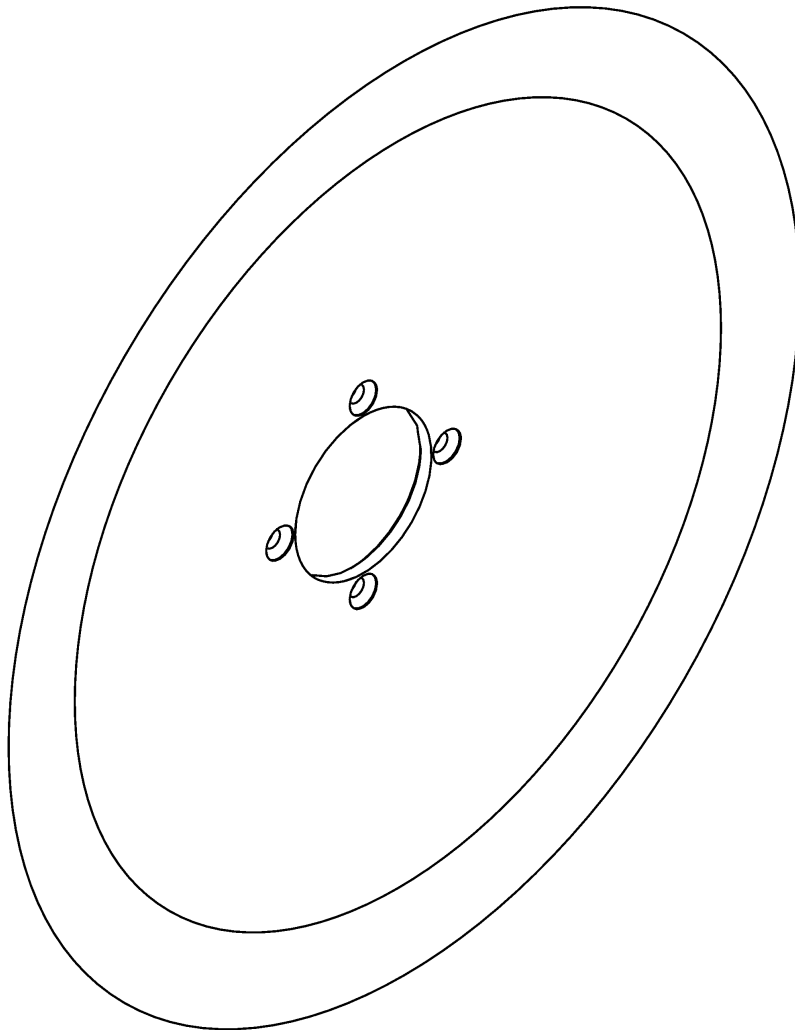
No use in Italy !!

Blades

Material No.	Qty	Material description	available for order	Wear part	Recomm. sp. part	Metr. relevance
38111166000	1	Blade 330 1.4034 HCov Slayer				

Blades

38111167000



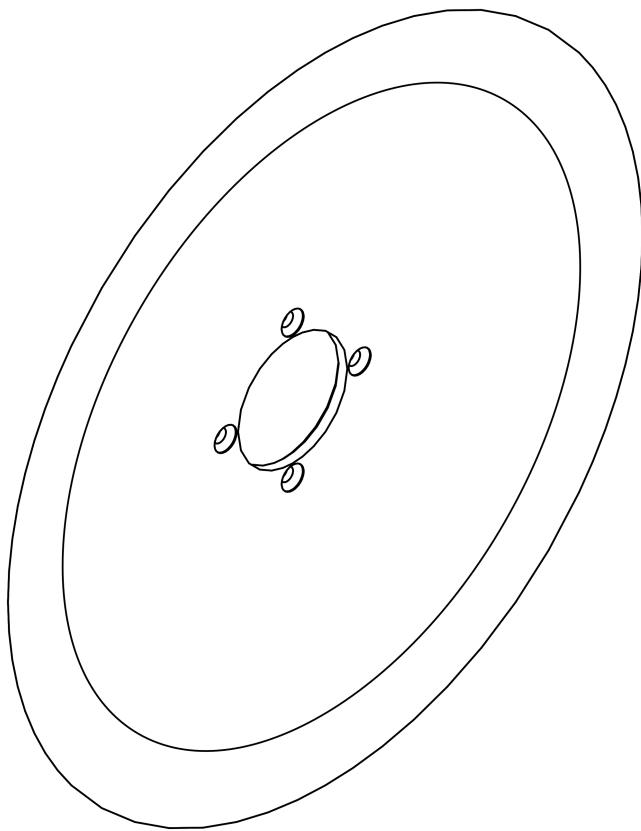
No use in Italy !!

Blades

Material No.	Qty	Material description	available for order	Wear part	Recomm. sp. part	Metr. relevance
38111167000	1	Blade 330 1.4034 HCov Slayer Service	✓	✓	✓	

Blades

40223507600



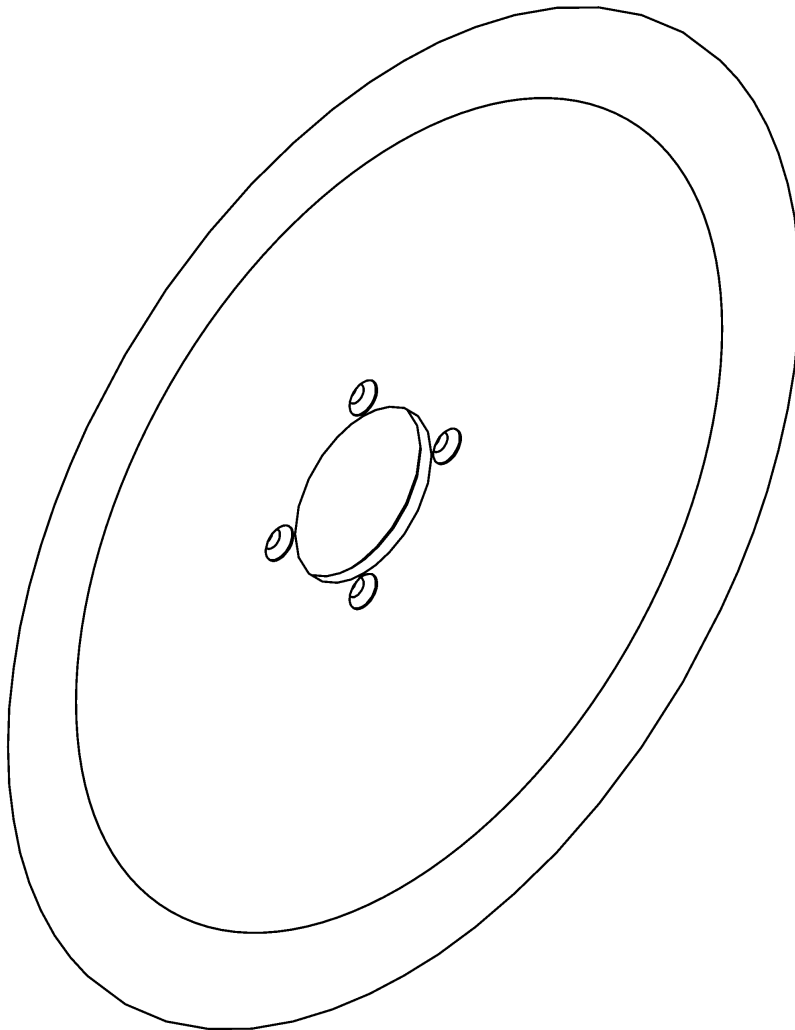
Blades

Material No. **Qty** **Material description**


available for order
Wear part
Recomm. sp. part
Metr. relevance

Blades

60530101500



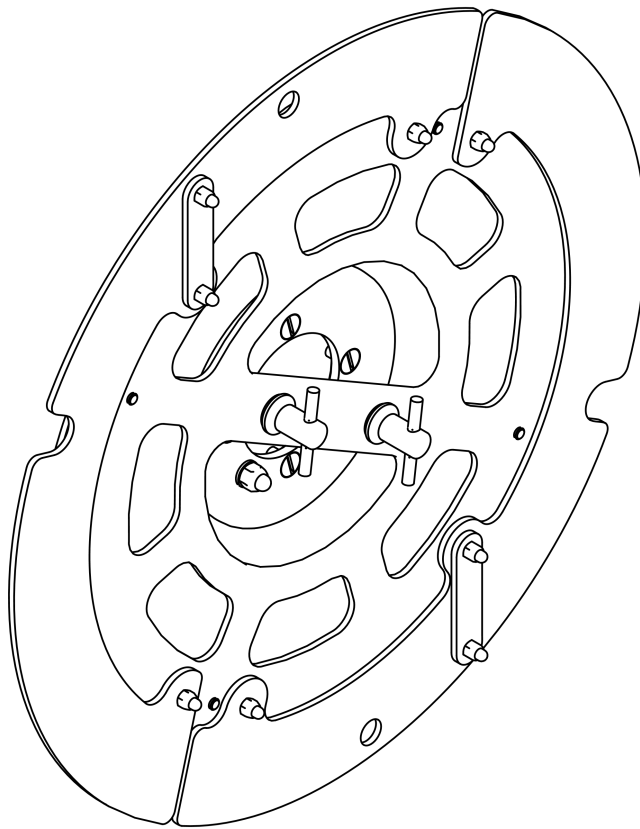
Blades

Material No.	Qty	Material description	available for order	Wear part	Recomm. sp. part	Metr. relevance
60530101500	1	Blade 330 Cr Slayer				

Blades + blade changing device



38103348002



Blades + blade changing device

Material No.	Qty	Material description
38103348002	1	Blade removal device 330 V2A

available for order

Wear part

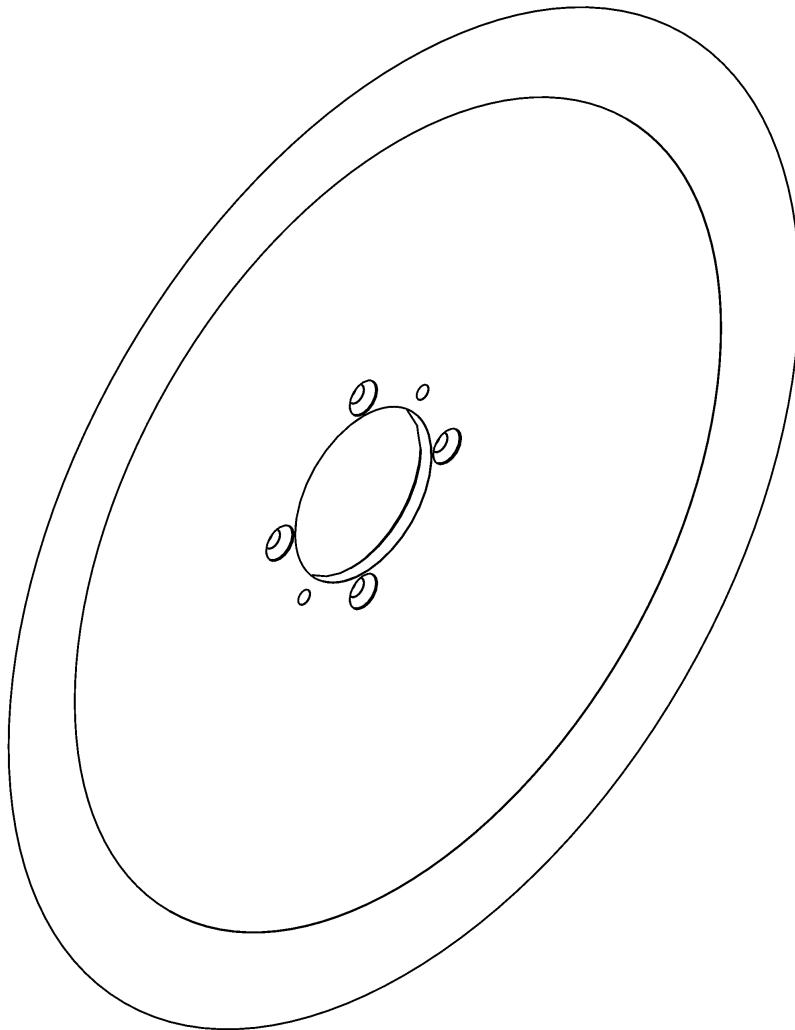
Recomm. sp. part

Metr. relevance





Blades + blade changing device

38105667001



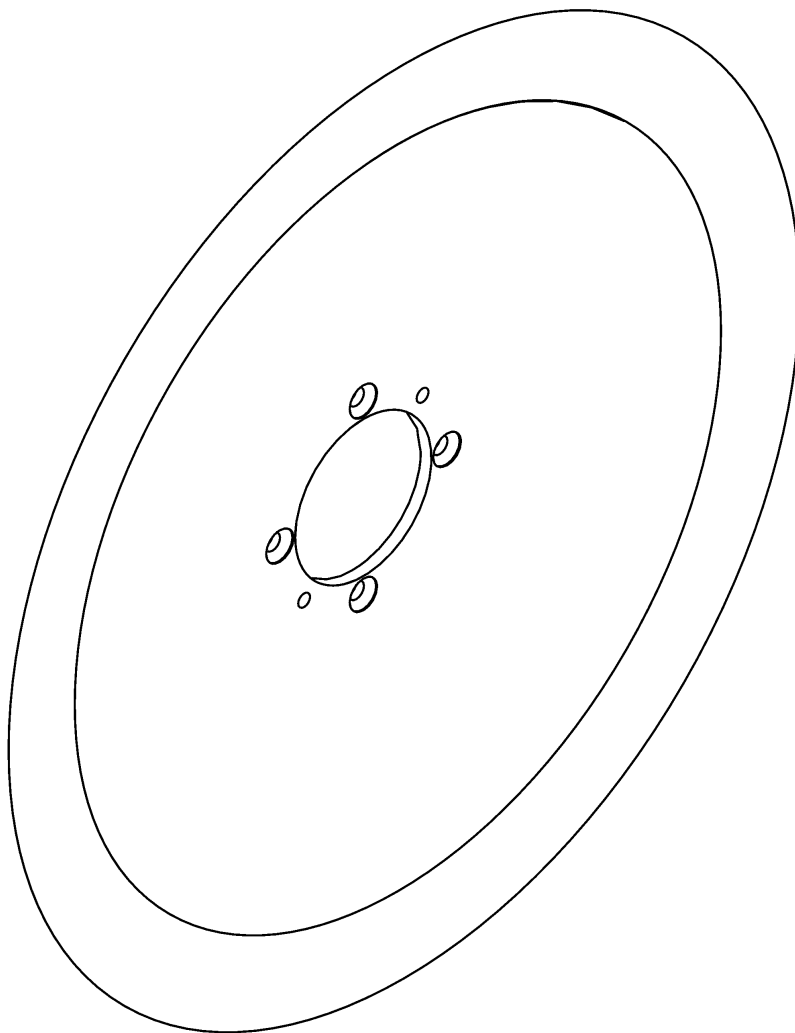
No use in Italy !!

Blades + blade changing device

Material No.	Qty	Material description	available for order	Wear part	Recomm. sp. part	Metr. relevance
38105667001	1	Blade 330 1.4034 HCov 2M6 Slayer				

Blades + blade changing device

38107971000



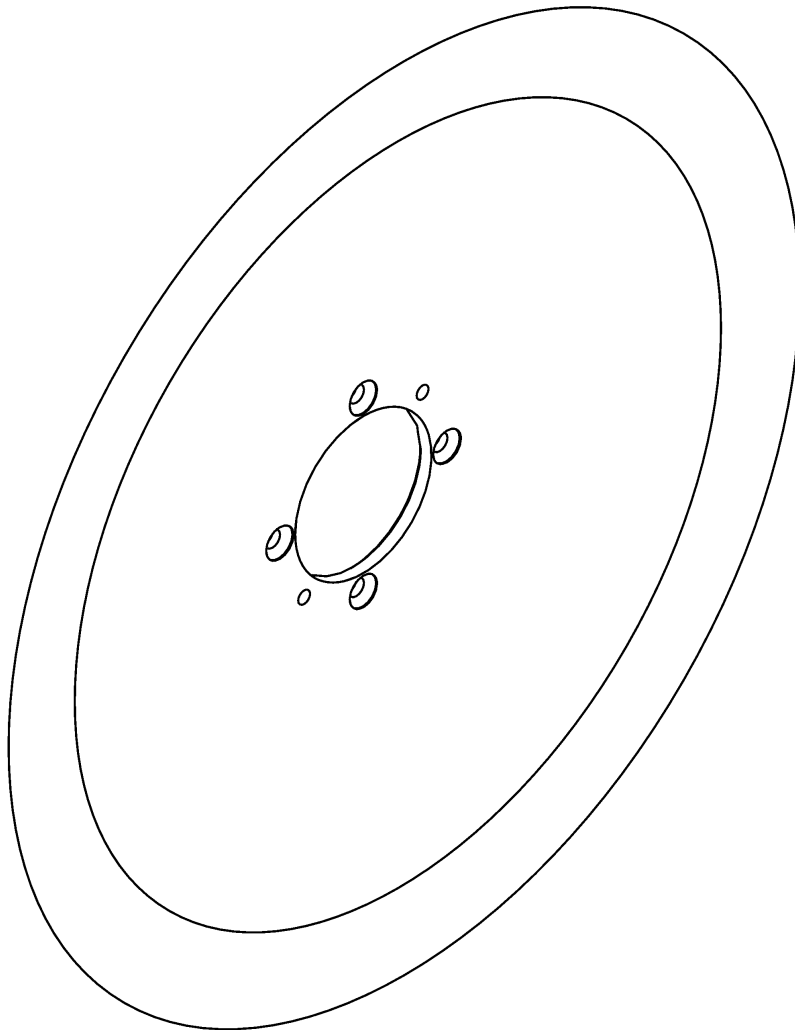
Blades + blade changing device

available for order
Wear part
Recomm. sp. part
Metr. relevance

Material No.	Qty	Material description
38107971000	1	Blade 330 Cr HCov 2M6 Chiaravalli

Blades + blade changing device

3811119000



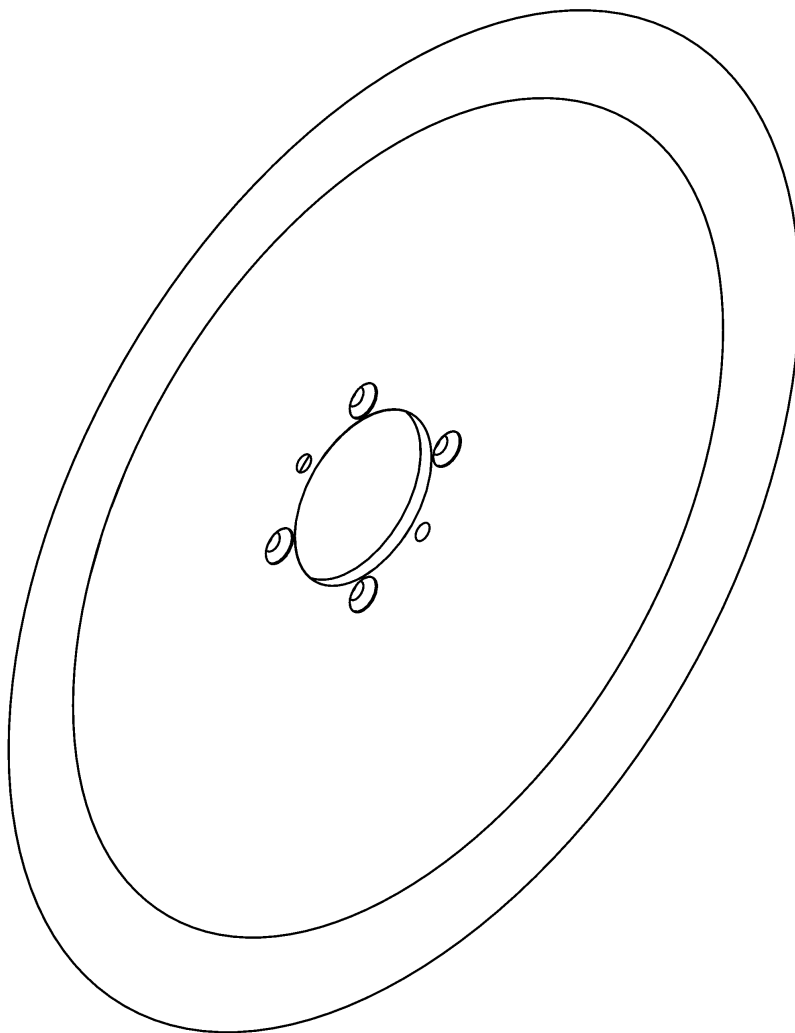
No use in Italy !!

Blades + blade changing device

Material No.	Qty	Material description	available for order	Wear part	Recomm. sp. part	Metr. relevance
38111119000	1	Blade 330 1.4034 HCov 2M6 Slayer Service				

Blades + blade changing device

60530106000

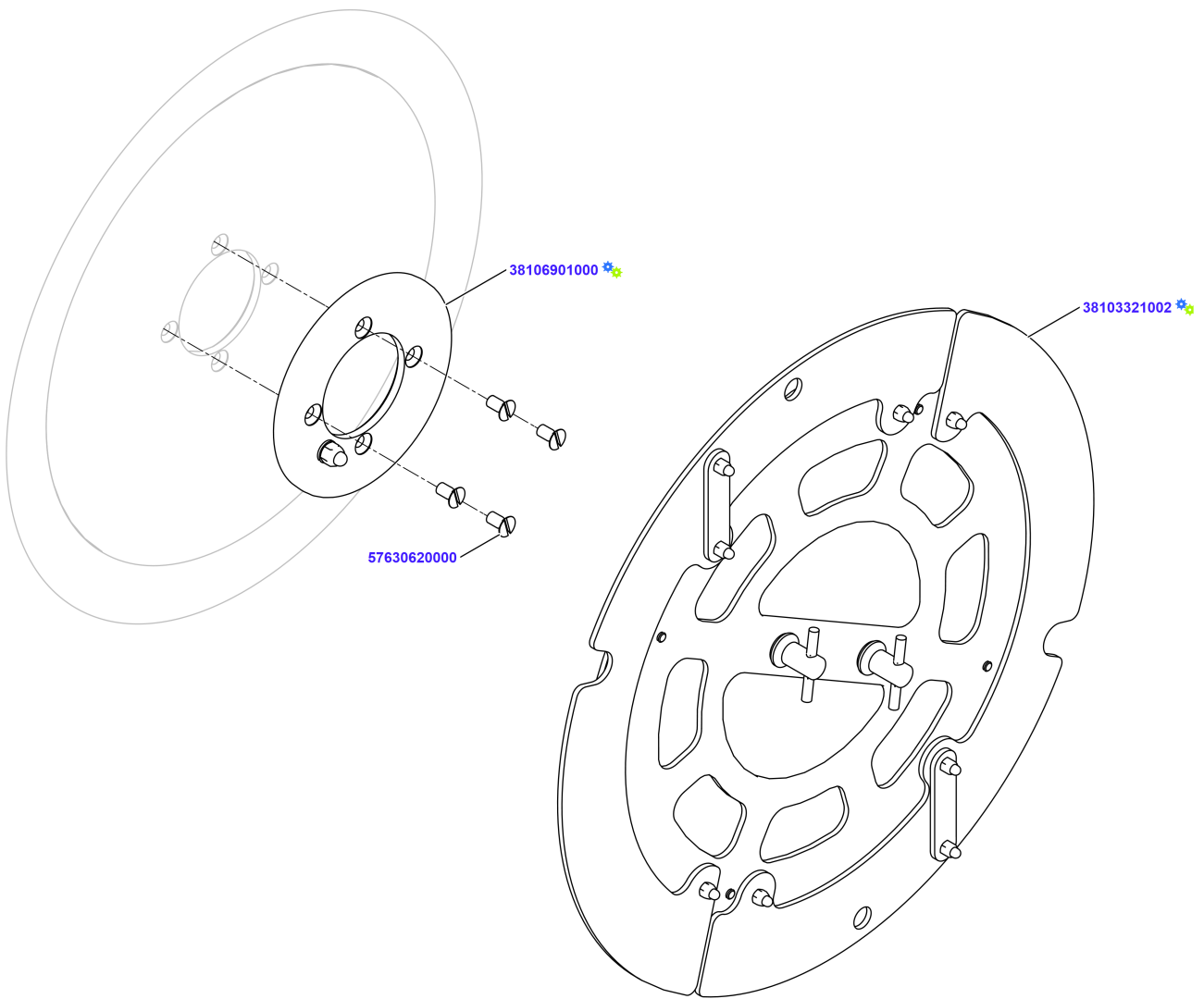


Blades + blade changing device




available for order
Wear part
Recomm. sp. part
Metr. relevance

Material No.	Qty	Material description
60530106000	1	Blade 330 Cr 2xM6 G&B

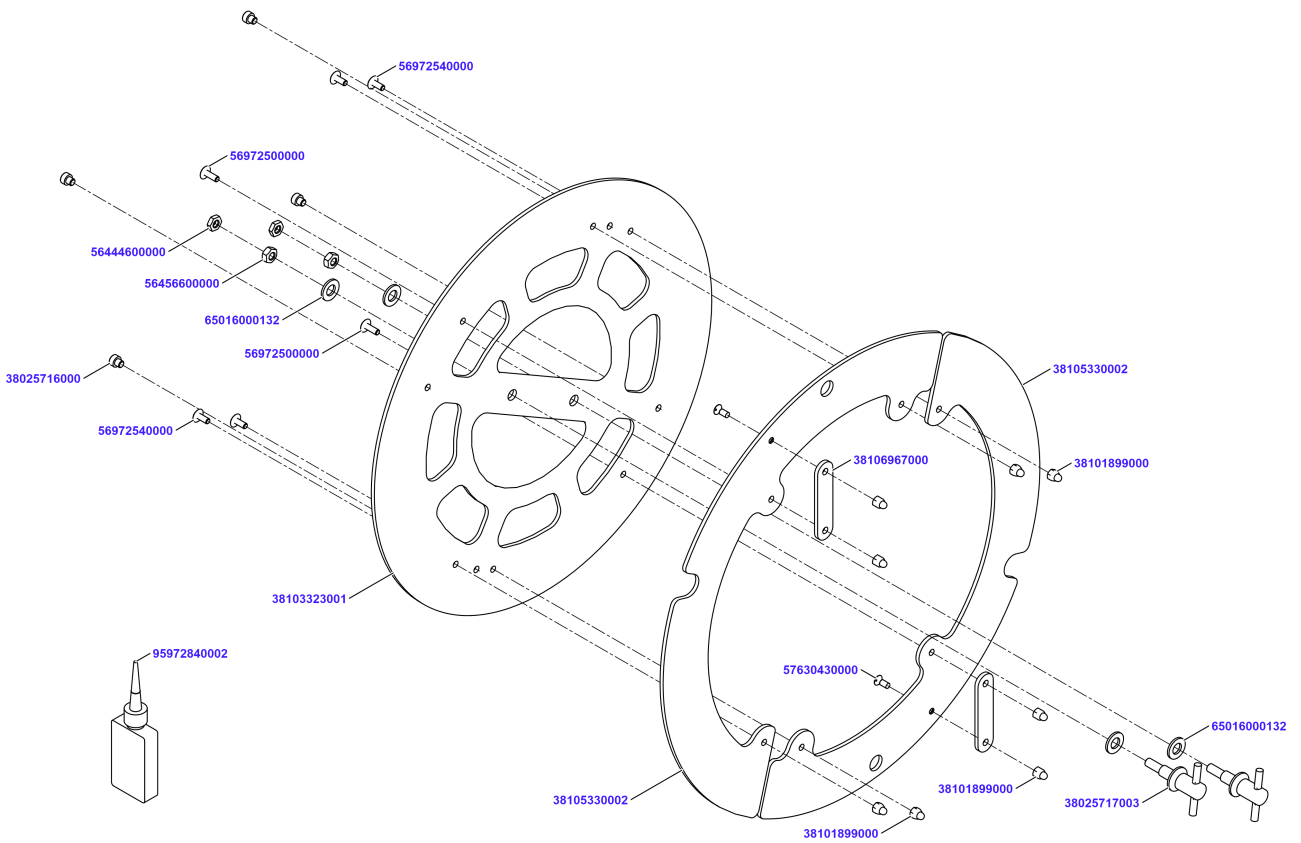
Blade removal device 330 V2A

















Blade removal device 330 V2A

Material No.	Qty	Material description	available for order	Wear part	Recomm. sp. part	Metr. relevance
38103321002	1	Blade Removal Device preassembled				
38106901000	1	Cover preassembled				
57630620000	4	Countersunk screw DIN963 M6x12-A2-70				

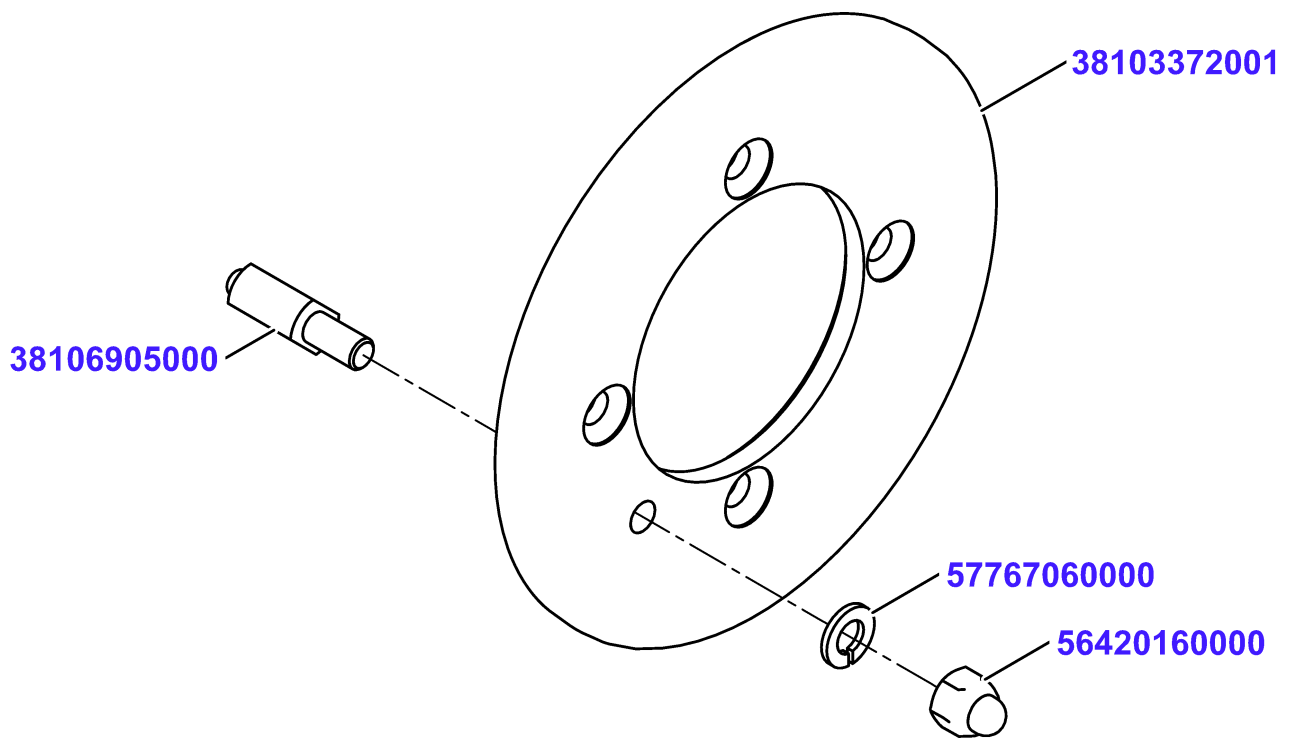
Blade Removal Device preassembled



Blade Removal Device preassembled

Material No.	Qty	Material description	available for order	Wear part	Recomm. sp. part	Metr. relevance
38103323001	1	Safety Disk 331,5x3				
38025716000	4	stop pin				
38025717003	2	Blade Removing Bolt preassembled				
95972840002	0,002	Loctite 648 10ml.				
56444600000	2	Hexagon nut DIN439-M6-A2				
56456600000	2	Hexagon nut DIN934-M6-A2				
65016000132	4	Washer DIN125-A-8-PA6				
38105330002	2	Ring Plate				
56972540000	4	Mushroom head screw M4x10-A2-70				
38101899000	4	Cap nut DIN986-M4-A2				
38106967000	2	Distance Plate				
57630430000	2	Countersunk screw DIN963 M4x10-A2-70				
38101899000	4	Cap nut DIN986-M4-A2				
56972500000	2	Mushroom head screw M4x12-A2-70				

Cover preassembled



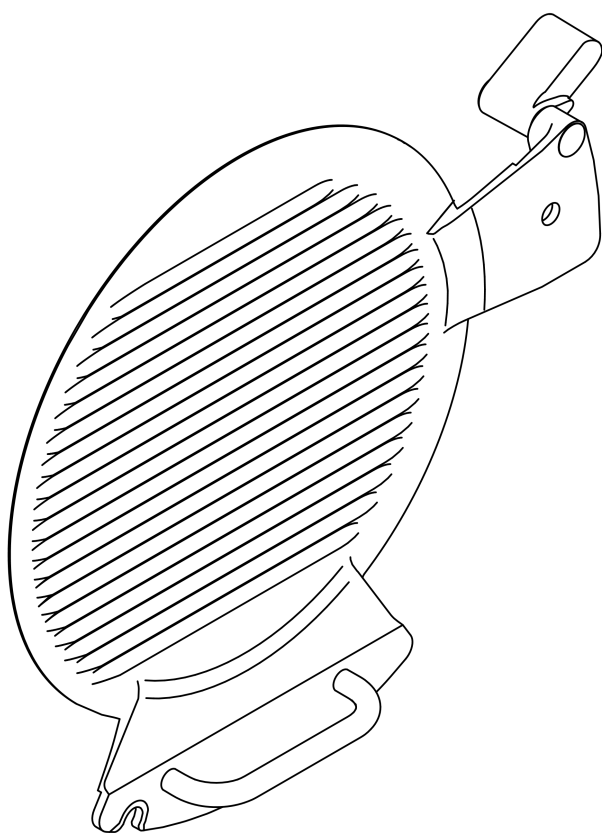
Cover preassembled

Material No.	Qty	Material description	available for order	Wear part	Recomm. sp. part	Metr. relevance
38103372001	1	Cover				
38106905000	1	Centering Pin				
56420160000	1	Cap nut DIN986-M6-A2				
57767060000	1	Spring lock washer DIN128-A6-FSt				

Blade cover



38064576005



Blade cover

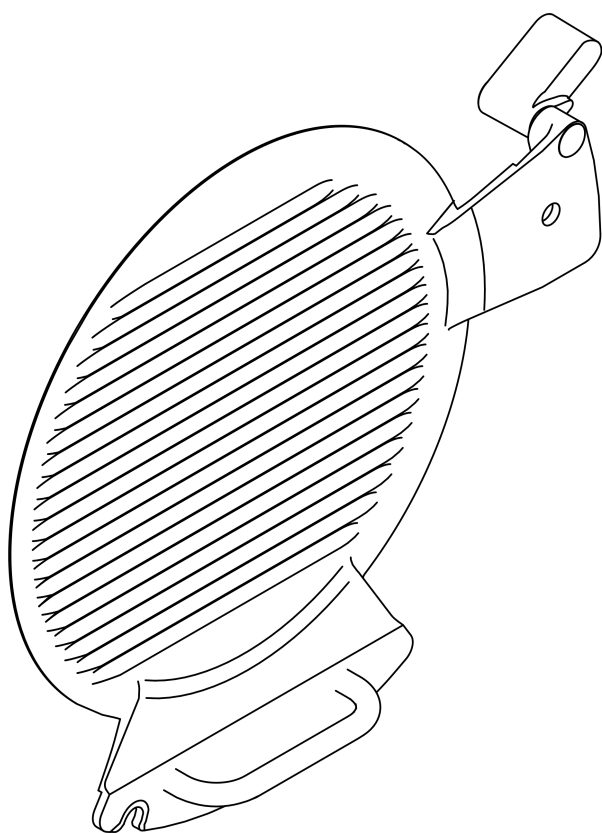
available for order
Wear part
Recomm. sp. part
Metr. relevance

Material No.	Qty	Material description
38064576005	1	Blade cover cpl.

Blade cover



38064577003

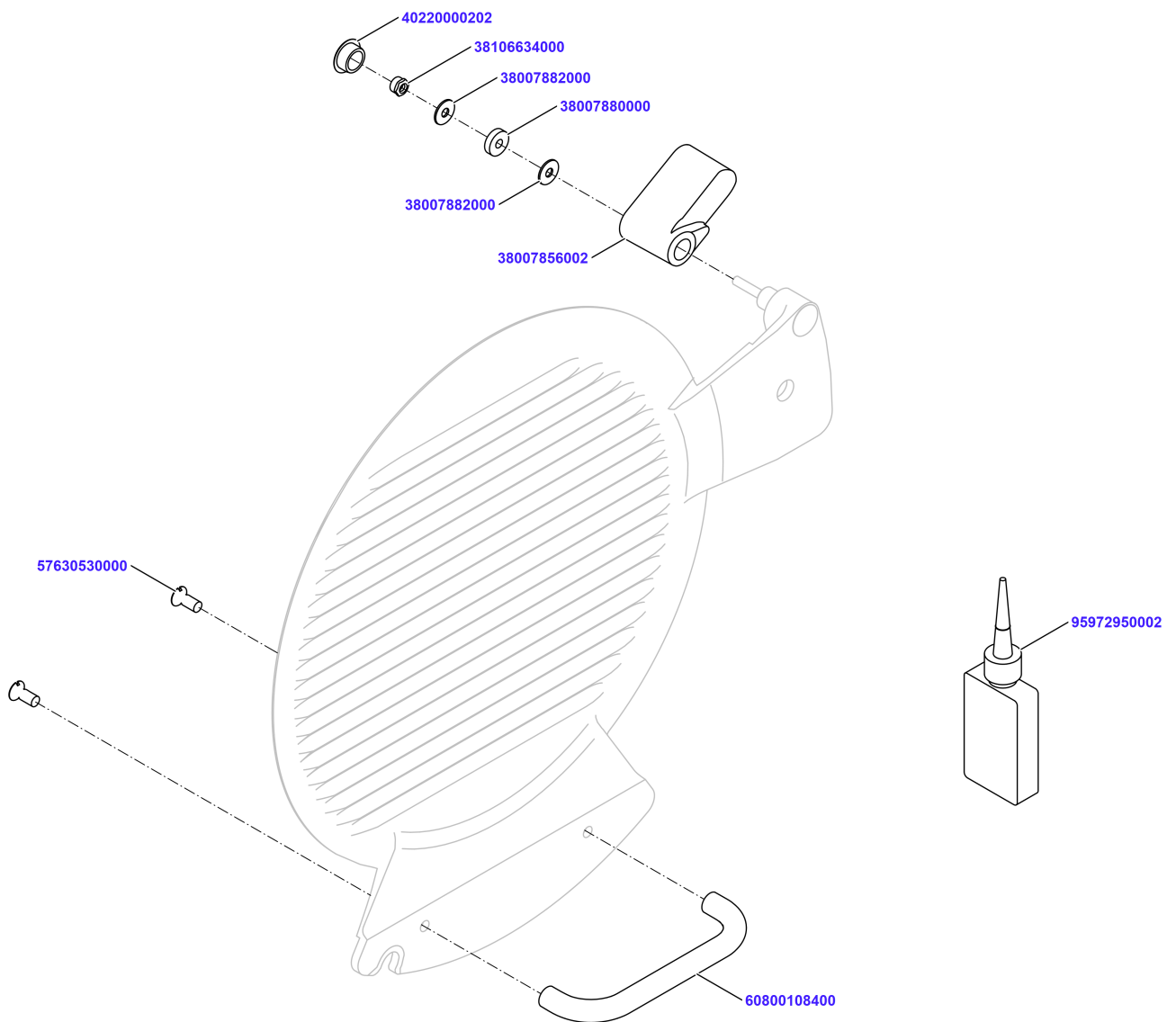


Blade cover

available for order
Wear part
Recomm. sp. part
Metr. relevance

Material No.	Qty	Material description
38064577003	1	Blade cover cpl. C

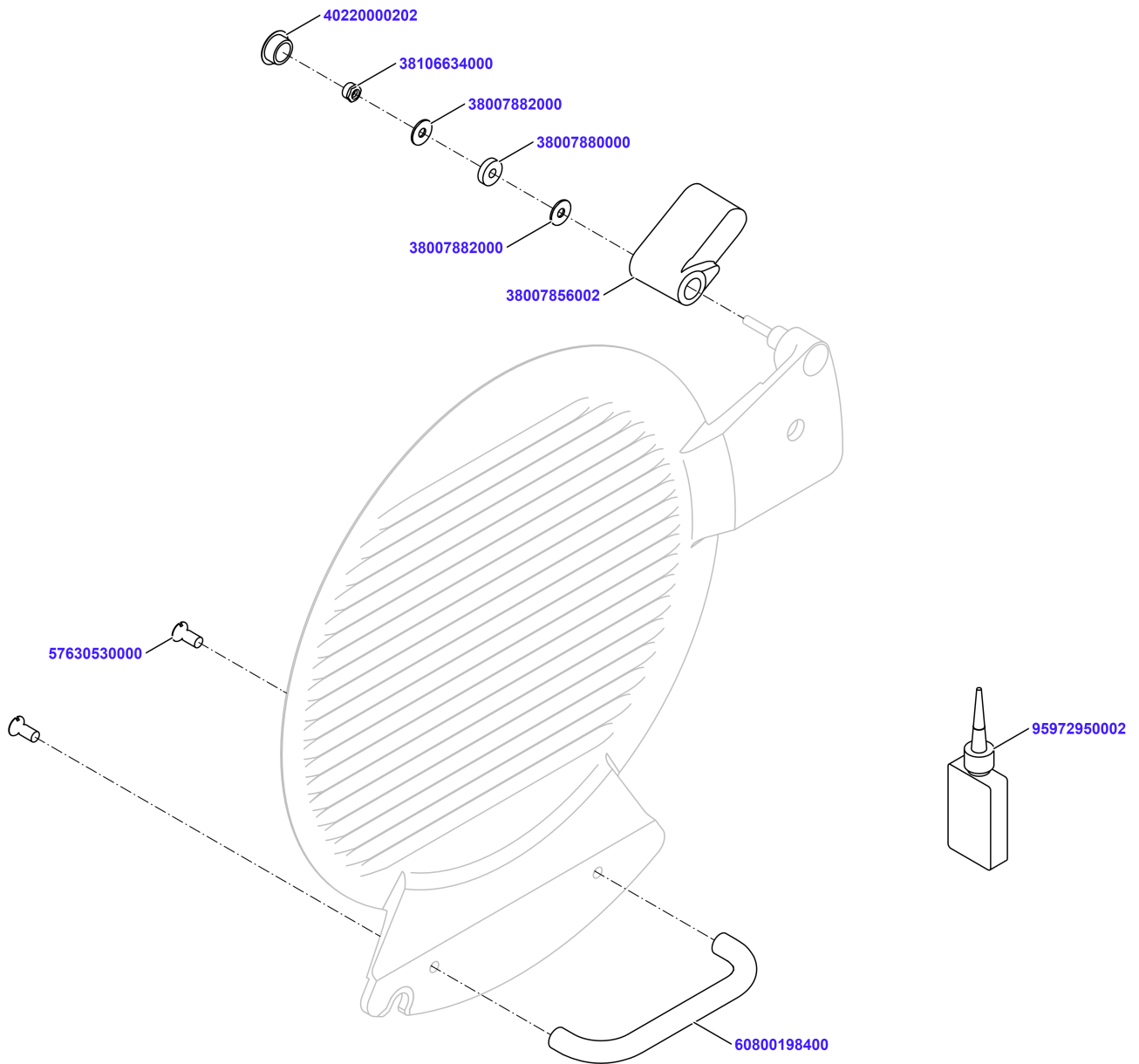
Blade cover cpl.



Blade cover cpl.

Material No.	Qty	Material description	available for order	Wear part	Recomm. sp. part	Metr. relevance
38007856002	1	Latch 17x50,5x30,4				
38007880000	1	washer				
38007882000	2	thrust washer				
38106634000	1	Lock nut ISO10511-M4-A4				
40220000202	1	Plug Black 16x6,5x12,2 Knurled				
60800108400	1	bracket handle				
57630530000	2	Countersunk screw DIN963 M5x12-A2-70				
95972950002	0,001	Loctite 243 50 ml				

Blade cover cpl. C



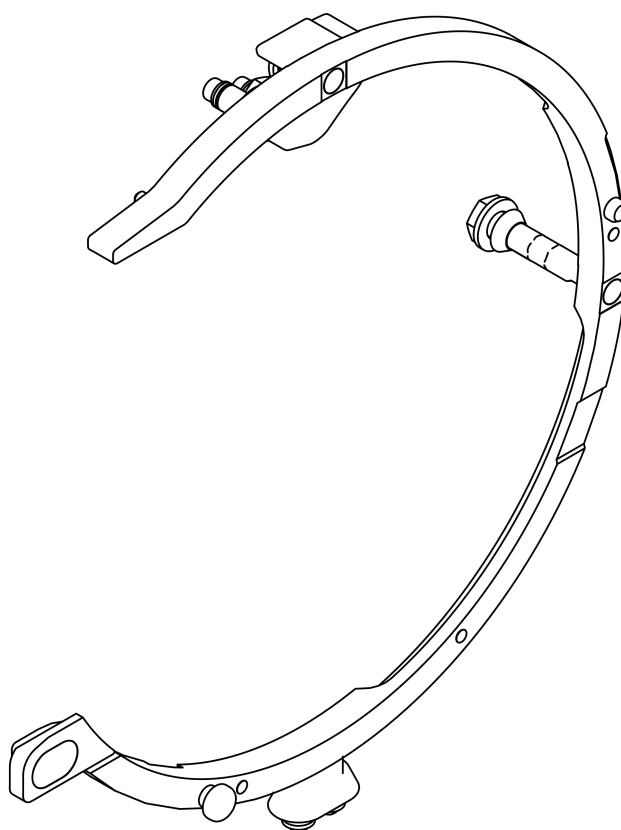
Blade cover cpl. C

Material No.	Qty	Material description	available for order	Wear part	Recomm. sp. part	Metr. relevance
38007856002	1	Latch 17x50,5x30,4				
38007880000	1	washer				
38007882000	2	thrust washer				
38106634000	1	Lock nut ISO10511-M4-A4				
40220000202	1	Plug Black 16x6,5x12,2 Knurled				
60800198400	1	Bracket handle C 100 x 32 x 10				
57630530000	2	Countersunk screw DIN963 M5x12-A2-70				
95972950002	0,001	Loctite 243 50 ml				

Blade guard ring+deflector



38015649004



Blade guard ring+deflector

Material No. **Qty** **Material description**

[38015649004](#) 1 Blade Guard Ring cpl

available for order

Wear part

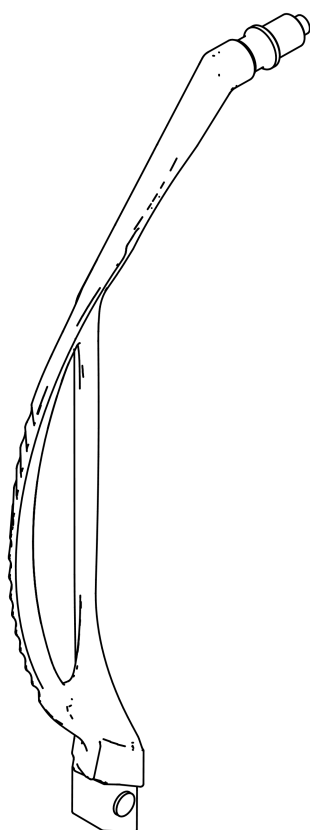
Recomm. sp. part

Metr. relevance

Blade guard ring+deflector



38081300001



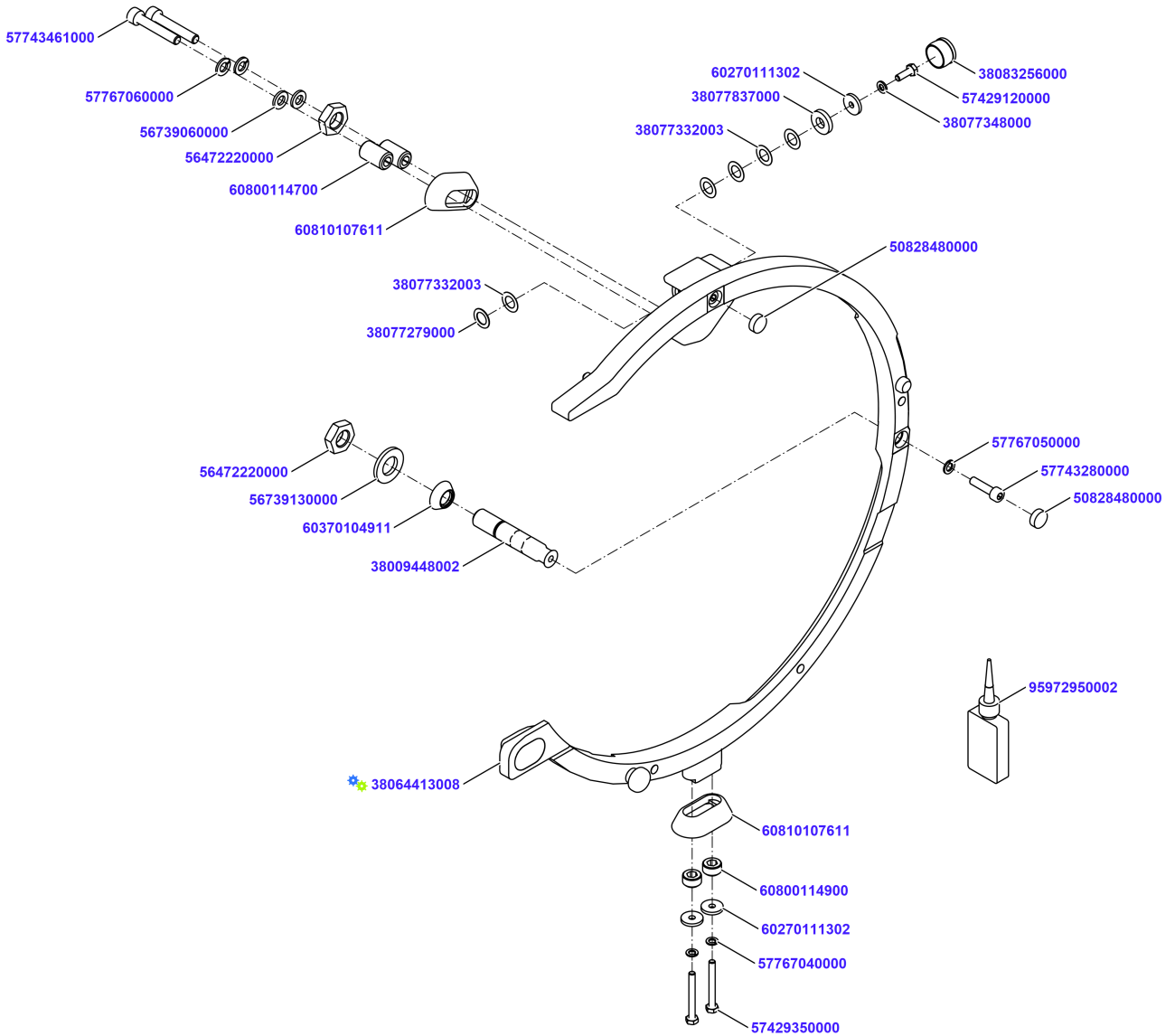
Blade guard ring+deflector

Material No. **Qty** **Material description**

38081300001 1 Deflector preass

available for order
Wear part
Recomm. sp. part
Metr. relevance

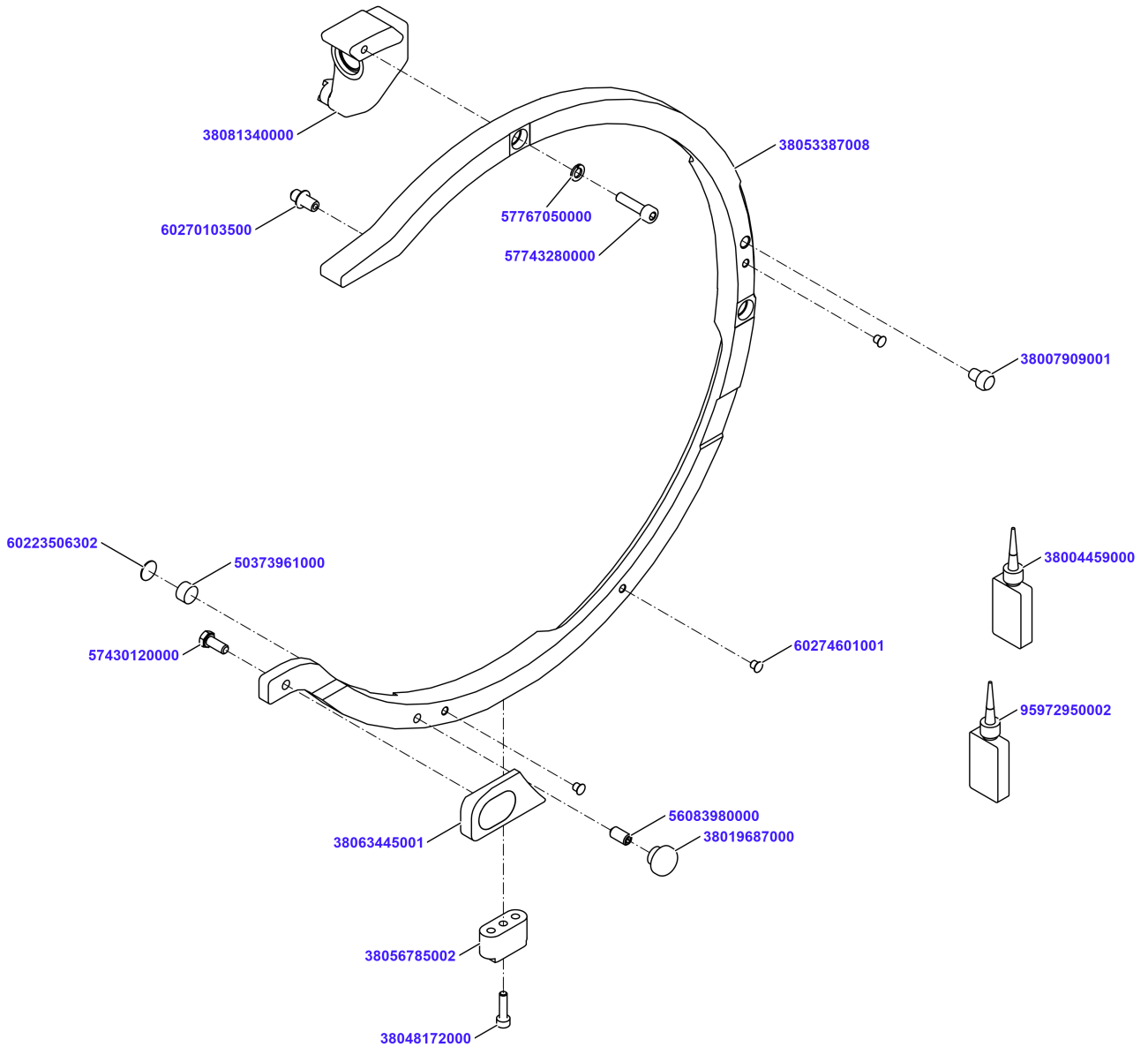
Blade Guard Ring cpl




















Blade Guard Ring cpl

Material No.	Qty	Material description	available for order	Wear part	Recomm. sp. part	Metr. relevance
60800114700	2	set screw	✓			
56472220000	1	Hexagon nut DIN439-M12x1-A2	✓			
60810107611	1	Sealing	✓		✓	
57743461000	2	Cylinder screw DIN912 M6x35-A2-70	✓			
56739060000	2	Washer DIN125-A-6-A2	✓			
57767060000	2	Spring lock washer DIN128-A6-FSt	✓			
38009448002	1	Spacer sleeve	✓			
60370104911	1	Sealing	✓		✓	
56472220000	1	Hexagon nut DIN439-M12x1-A2	✓			
56739130000	1	Washer DIN125-A-12-A2	✓			
60800114900	2	Adjusting ring	✓			
60810107611	1	Sealing	✓		✓	
38064413008	1	Blade Guard Ring preass	✓			
57429350000	2	Hexagon screw DIN933 M4x35 A2-70	✓			
60270111302	2	Washer	✓			
57767040000	2	Spring lock washer DIN128-A4-FSt	✓			
50828480000	1	Protective Plug 11.12249 PE-LD	✓			
57743280000	1	Cylinder screw DIN912 M5x20-A2-70	✓			
57767050000	1	Spring lock washer DIN128-A5-FSt	✓			
50828480000	1	Protective Plug 11.12249 PE-LD	✓			
38077332003	1	Thrusted washer 13,8x8,2x0,18	✓			
38077279000	1	Disk	✓			
38077332003	4	Thrusted washer 13,8x8,2x0,18	✓			
38077837000	1	Brake Pulley	✓			
60270111302	1	Washer	✓			
38077348000	1	Disk	✓			
56739040000	1	Washer DIN125-A 4.3-A2-70	✓			
57429120000	1	Hexagon screw DIN933 M4x12 A-70	✓			
95972950002	0,001	Loctite 243 50 ml	✓			
38083256000	1	Protective plug 17,1x16,2x8-PE	✓			

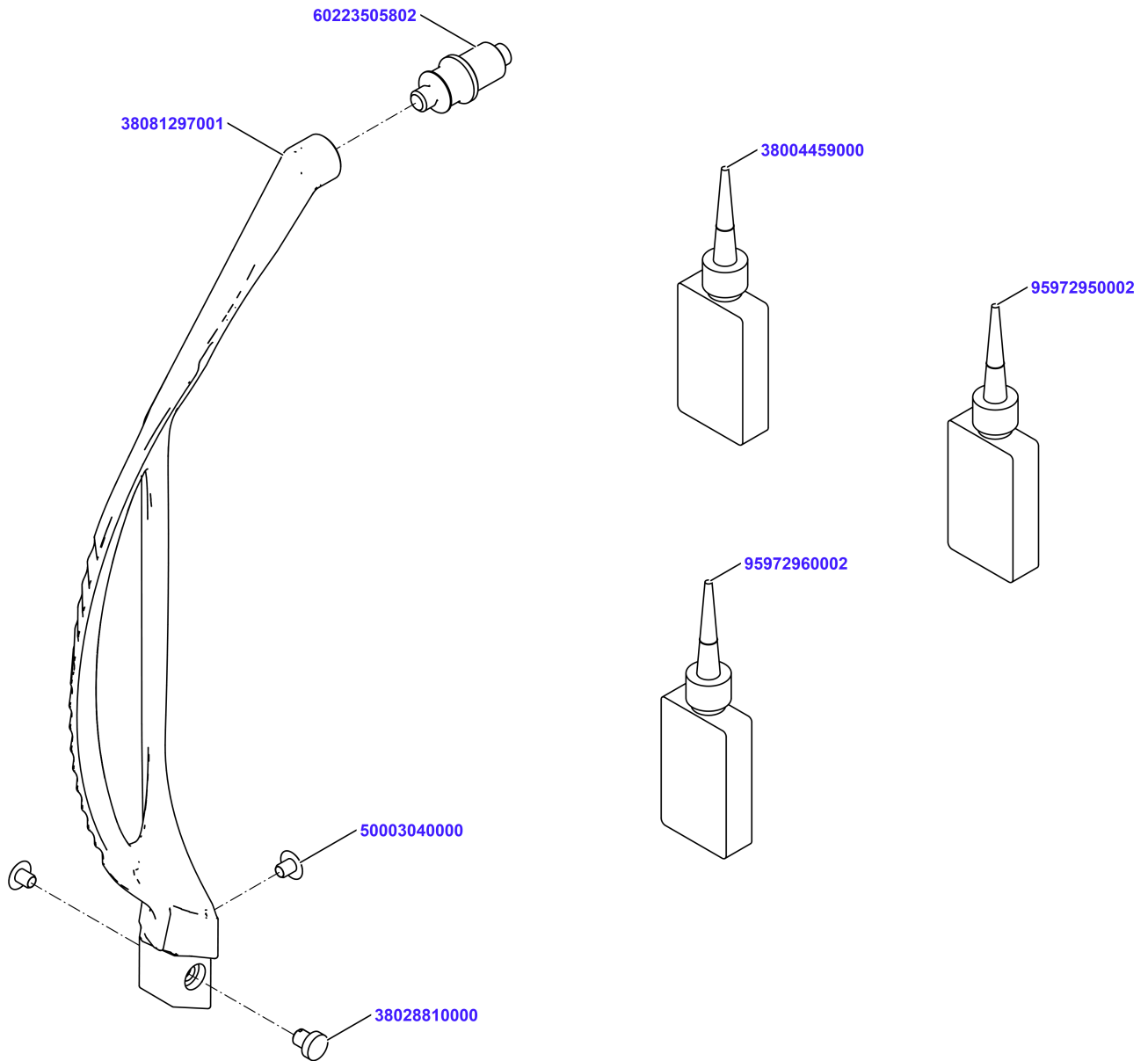
Blade Guard Ring preass



Blade Guard Ring preass

Material No.	Qty	Material description	available for order	Wear part	Recomm. sp. part	Metr. relevance
38053387008	1	Blade Guard Ring				
38063445001	1	Product supporter cpl				
57430120000	1	Hexagon screw DIN933 M5x12 A2-70				
95972950002	0,001	Loctite 243 50 ml				
38019687000	1	Location bolt HD 16x10,9 K				
56083980000	1	Set screw DIN916 M6x12-A2-70				
38004459000	0,001	Loctite 648				
38007909001	1	Fixing bolt				
60274601001	3	Bolt PA - 4,1x4,5				
60270103500	1	pin				
50373961000	1	Disc magnet 10x6				
60223506302	1	cover 11x0,5				
38056785002	1	Support bottom				
38048172000	1	Cylinder screw ISO14579 M4x16-A2-70-T20				
38081340000	1	Mounting preass				
57767050000	1	Spring lock washer DIN128-A5-FSt				
57743280000	1	Cylinder screw DIN912 M5x20-A2-70				

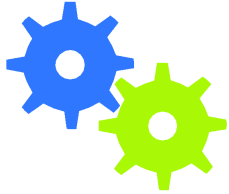
Deflector preass



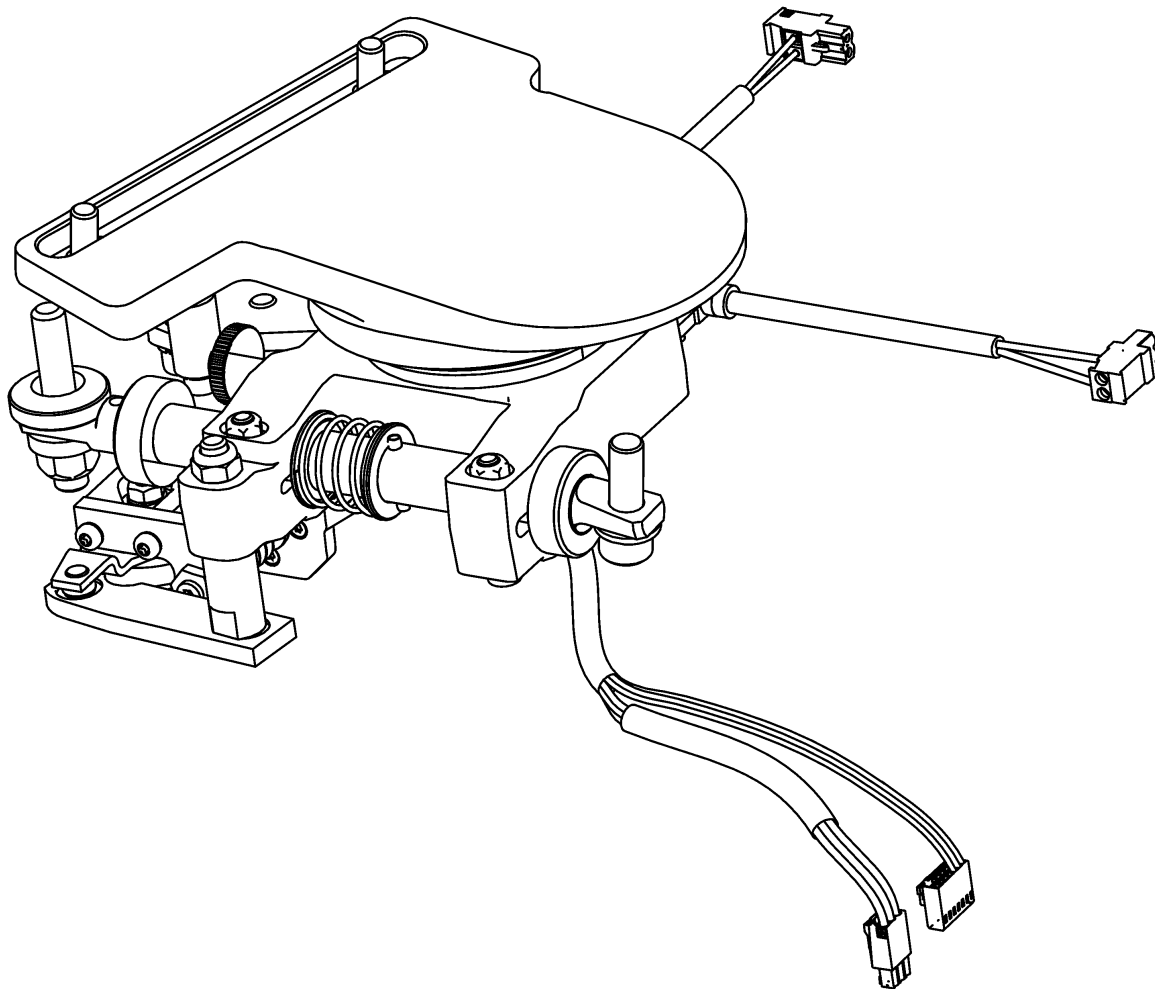
Deflector preass

Material No.	Qty	Material description	available for order	Wear part	Recomm. sp. part	Metr. relevance
38081297001	1	Deflector 330 VSI machined	✓			
60223505802	1	Bearing Bolt	✓			
38004459000	0,001	Loctite 648	✓			
95972960002	0,001	Loctite 7649 500ml	✓			
38028810000	1	adjusting bolt	✓			
95972950002	0,001	Loctite 243 50 ml	✓			
50003040000	2	Protective plug 11x5x6-PE	✓		✓	

Gauge plate drive



38064470008



Gauge plate drive

Material No.	Qty	Material description
38064470008	1	Gauge plate drive VSI cpl

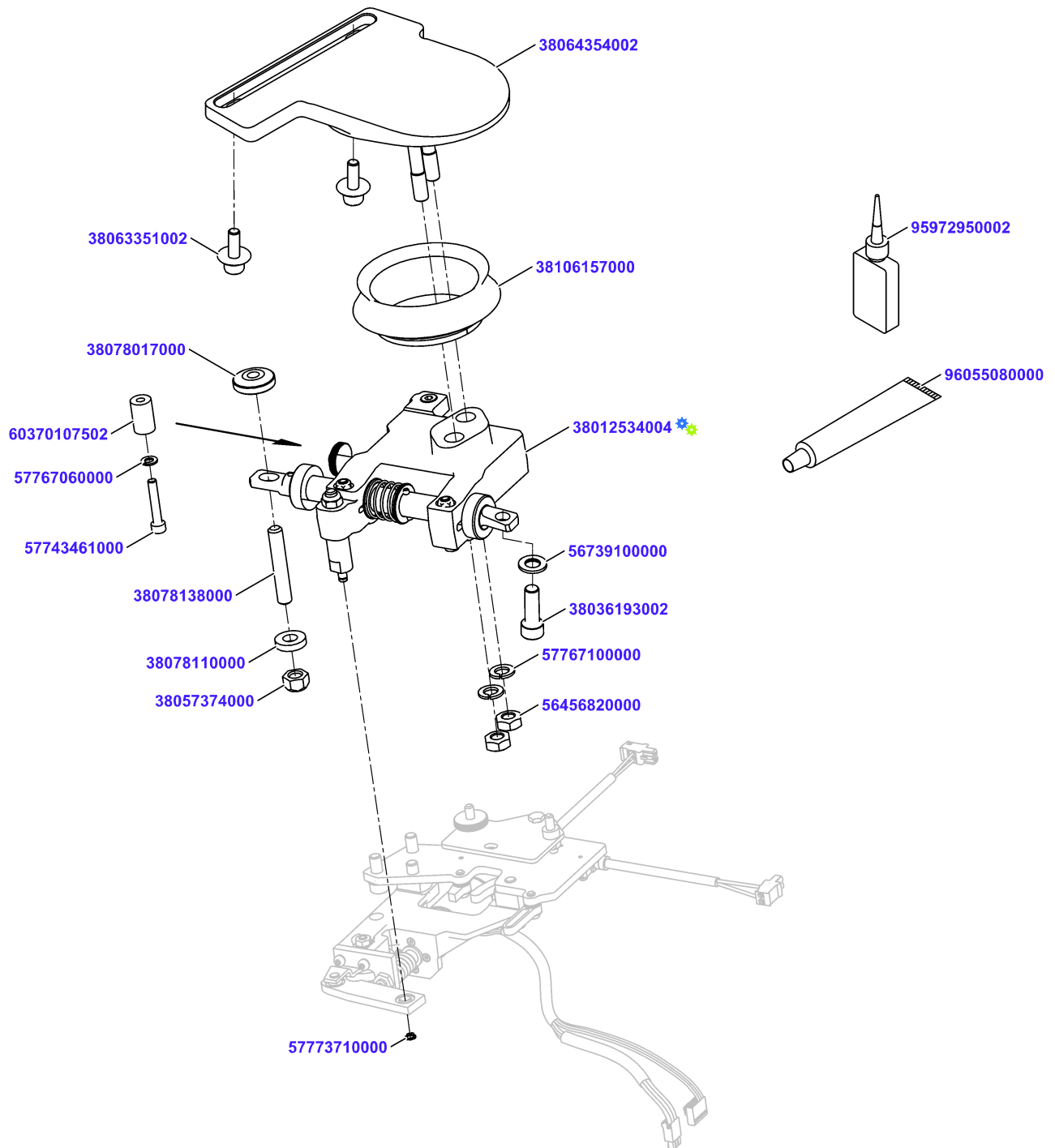
available for order

Wear part

Recomm. sp. part

Metr. relevance

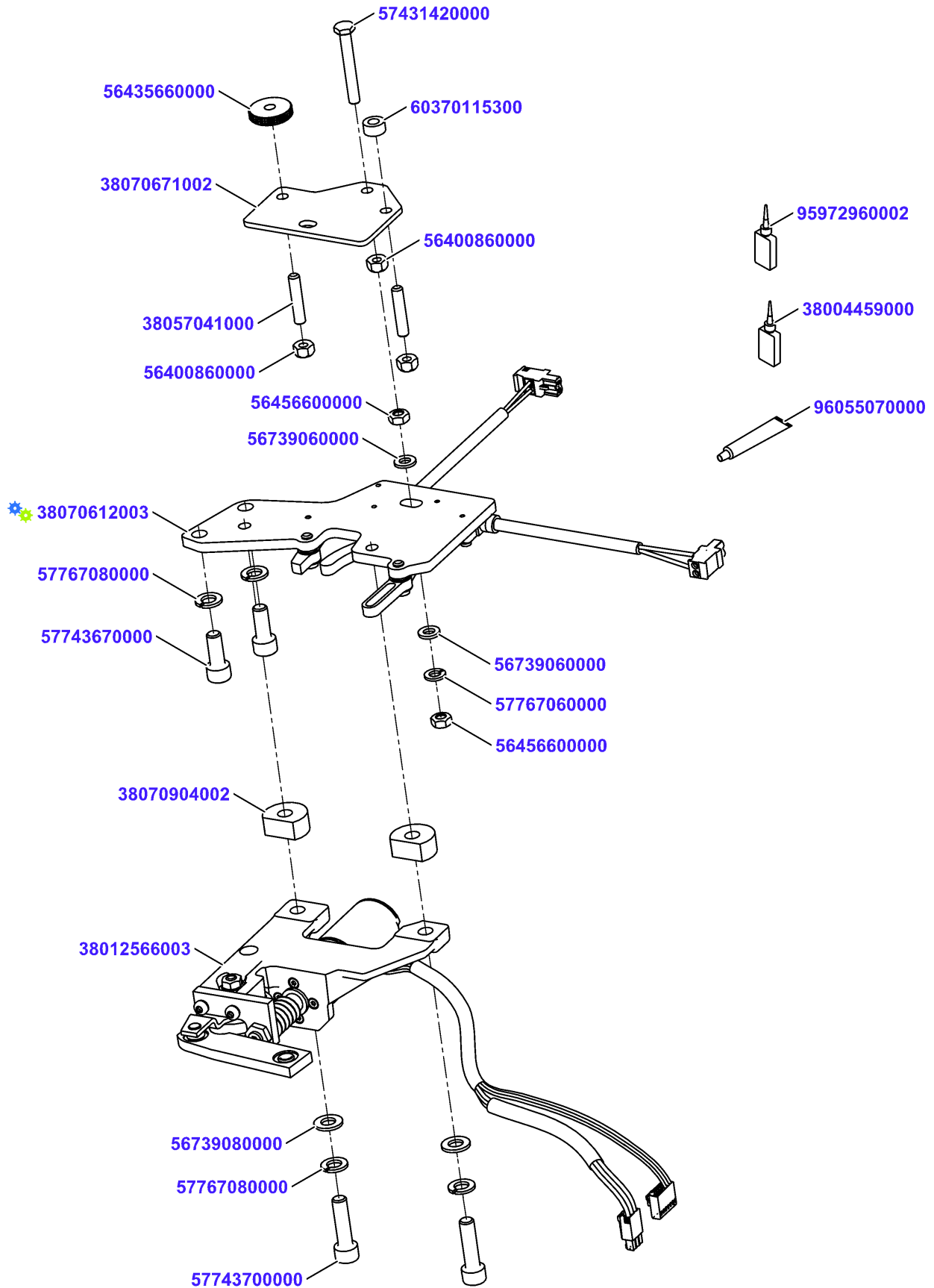
Gauge plate drive VSI cpl



Gauge plate drive VSI cpl

Material No.	Qty	Material description	available for order	Wear part	Recomm. sp. part	Metr. relevance
38078138000	1	Set screw ISO4026 M10x60	✓			
38078017000	1	Knurled Nut M10	✓			
60370107502	1	spacer	✓			
57743461000	1	Cylinder screw DIN912 M6x35-A2-70	✓			
57767060000	1	Spring lock washer DIN128-A6-FSt	✓			
38064354002	1	Gauge plate base preass	✓			
38106157000	1	Sealing Gauge Plate with Stiffening Ring	✓		✓	
96055080000	0,001	Kluebersynth UH1 64-62/25kg	✓			
38012534004	1	Bearing bracket cpl	✓			
38078110000	1	Washer	✓			
38057374000	1	Hexagon nut ISO7042-M10-St	✓			
38036193002	1	Cylinder screw DIN912 M10x30-A2-70	✓			
56739100000	1	Washer DIN125-A-10-A2	✓			
95972950002	0,001	Loctite 243 50 ml	✓			
56456820000	2	Hexagon nut DIN934-M10-A2	✓			
56739100000	2	Washer DIN125-A-10-A2	✓			
57767100000	2	Spring lock washer DIN128-A10-FSt	✓			
57767060000	1	Spring lock washer DIN128-A6-FSt	✓			
57773710000	1	Retaining ring DIN471-6x0,7	✓			
38063351002	2	Screw	✓			

Gauge plate drive VSI cpl



Gauge plate drive VSI cpl

Material No.	Qty	Material description	available for order	Wear part	Recomm. sp. part	Metr. relevance
95972960002	0,001	Loctite 7649 500ml	✓			
38004459000	0,001	Loctite 648	✓			
56435660000	1	Knurled nut DIN467-M6-A2	✓			
57767060000	1	Spring lock washer DIN128-A6-FSt	✓			
38070671002	1	Support rail	✓			
96055070000	0,001	Grease PARALIQ GA 343	✓			
60370115300	1	Spacer ring	✓			
56400860000	2	Lock nut DIN985-M6-A2	✓			
56400860000	1	Lock nut DIN985-M6-A2	✓			
38070612003	1	Beam preass	✓			
57743670000	2	Cylinder screw DIN912 M8x20-A2-70	✓			
57767080000	2	Spring lock washer DIN128-A8-A2	✓			
56456600000	2	Hexagon nut DIN934-M6-A2	✓			
56739060000	2	Washer DIN125-A-6-A2	✓			
57767060000	1	Spring lock washer DIN128-A6-FSt	✓			
38012566003	1	Motoric Slicing Thickness Adjustment VSI	✓		✓	
38070904002	2	Spacer	✓			
57743700000	2	Cylinder screw DIN912 M8x30-A2-70	✓			
56739080000	2	Washer DIN125-A-8-A2	✓			
57767080000	2	Spring lock washer DIN128-A8-A2	✓			
38057041000	2	Set screw ISO4026 M6x30-A2-70	✓			

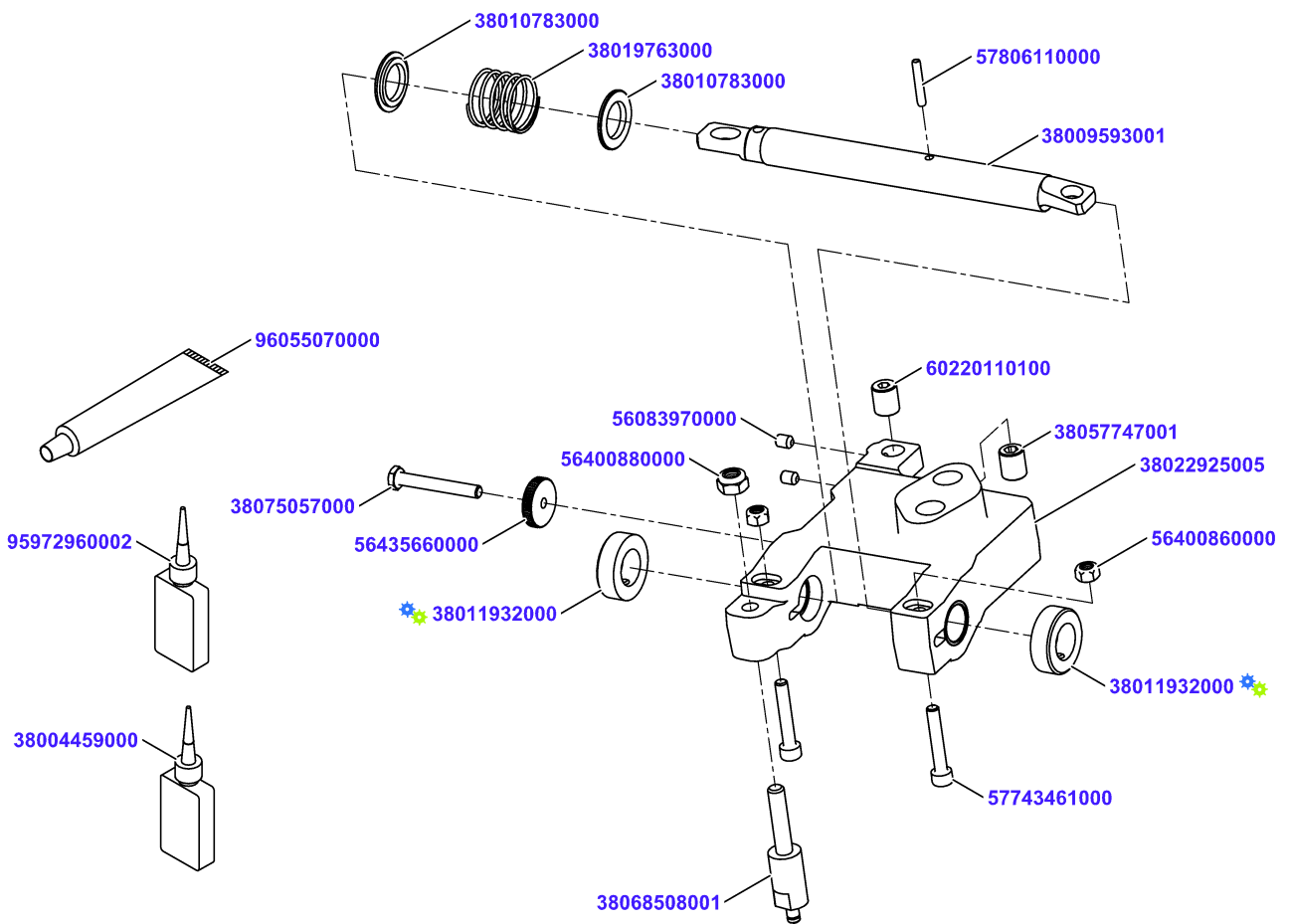
Gauge plate drive VSI cpl

Gauge plate drive VSI cpl

available for order
Wear part
Recomm. sp. part
Metr. relevance

Material No.	Qty	Material description
38075057000	1	Hexagon Screw DIN 933 M6x45-A2-70

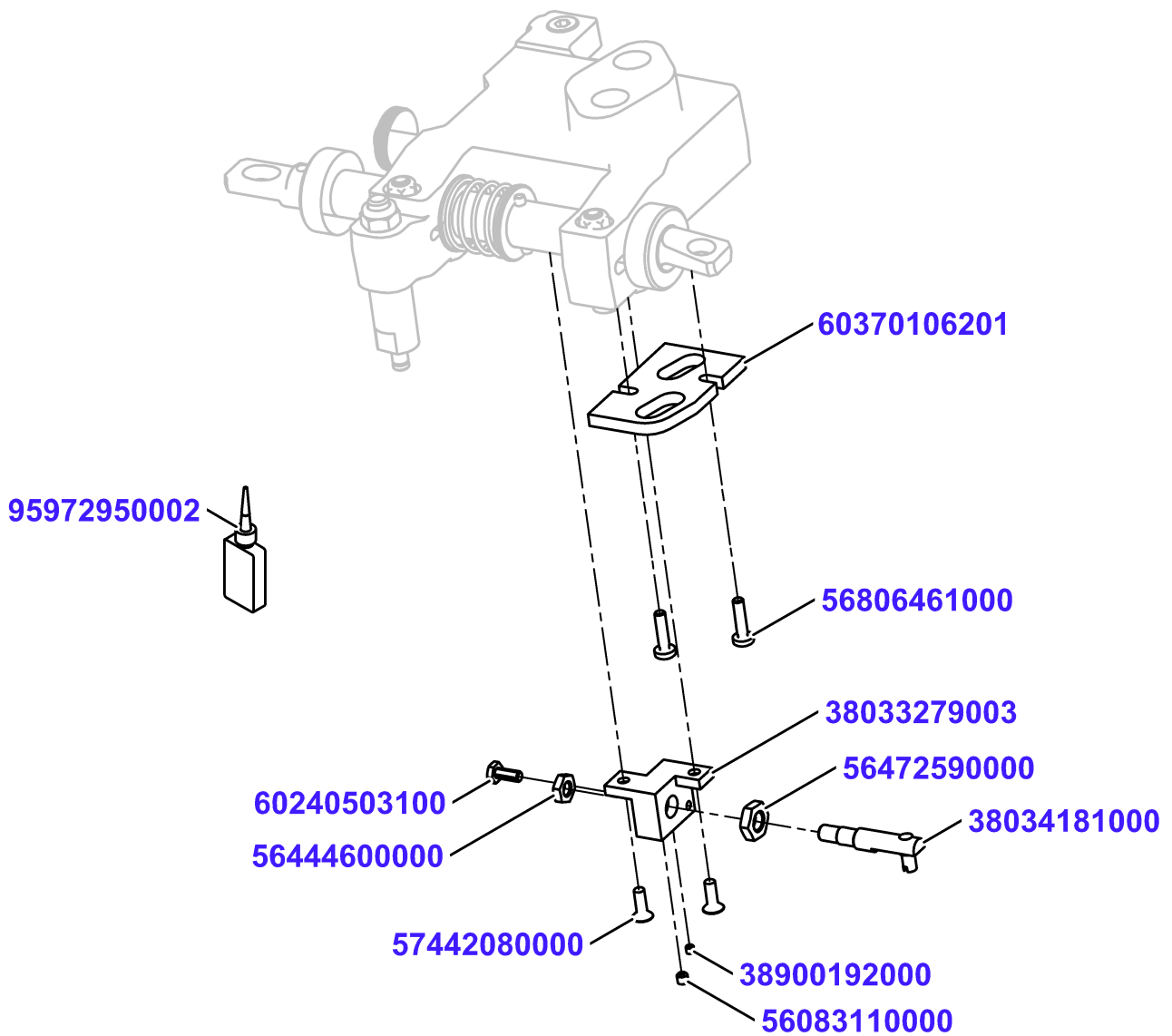
Bearing bracket cpl



Bearing bracket cpl

Material No.	Qty	Material description	available for order	Wear part	Recomm. sp. part	Metr. relevance
38022925005	1	Bearing bracket preass	✓			
38009593001	1	Axis	✓			
96055070000	0,001	Grease PARALIQ GA 343	✓			
38011932000	2	adjusting ring 18mm	✓			
38068508001	1	Adaption bolt	✓			
38075057000	1	Hexagon Screw DIN 933 M6x45-A2-70	✓			
56435660000	1	Knurled nut DIN467-M6-A2	✓			
38004459000	0,001	Loctite 648	✓			
95972960002	0,001	Loctite 7649 500ml	✓			
38019763000	1	Comp. spring 28x24,8x68,5x11,65-0,89	✓			
38010783000	2	pressure washer	✓			
57806110000	1	Clamping pin ISO8750-4x24-A2	✓			
56400880000	1	Lock nut DIN985-M8-A2	✓			
56400860000	2	Lock nut DIN985-M6-A2	✓			
57743461000	2	Cylinder screw DIN912 M6x35-A2-70	✓			
96055070000	0,001	Grease PARALIQ GA 343	✓			

Bearing bracket cpl



Bearing bracket cpl

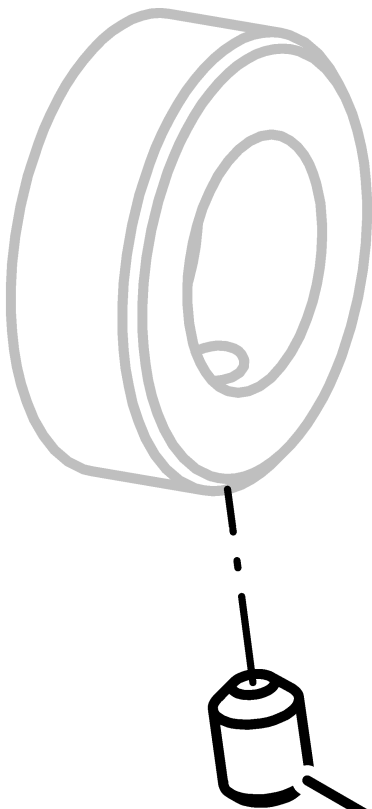
Material No.	Qty	Material description	available for order	Wear part	Recomm. sp. part	Metr. relevance
38033279003	1	Fixing Block				
57442080000	2	Countersunk screw DIN7991 M4x12-A2-70				
95972950002	0,001	Loctite 243 50 ml				
38034181000	1	Driver premounted				
56472590000	1	Hexagon nut DIN439-M8x1-A2				
56444600000	1	Hexagon nut DIN439-M6-A2				
56083110000	1	Set screw ISO4026 M4x4-A2-70				
38900192000	1	Set screw ISO4026 M3x3-A2-70				

Bearing bracket cpl

Bearing bracket cpl

Material No.	Qty	Material description	available for order	Wear part	Recomm. sp. part	Metr. relevance
60370106203	1	Supporting plate	✓			
60220110103	1	Threaded Bolt M12x1 x 14	✓			
38057747002	1	Threaded Bolt M12x1x14	✓			
56806460000	2	Oval-head screw DIN7985 M4x16-A2-70	✓			
56081060000	2	Set screw DIN916 M6x8-A2-70	✓			


adjusting ring 18mm



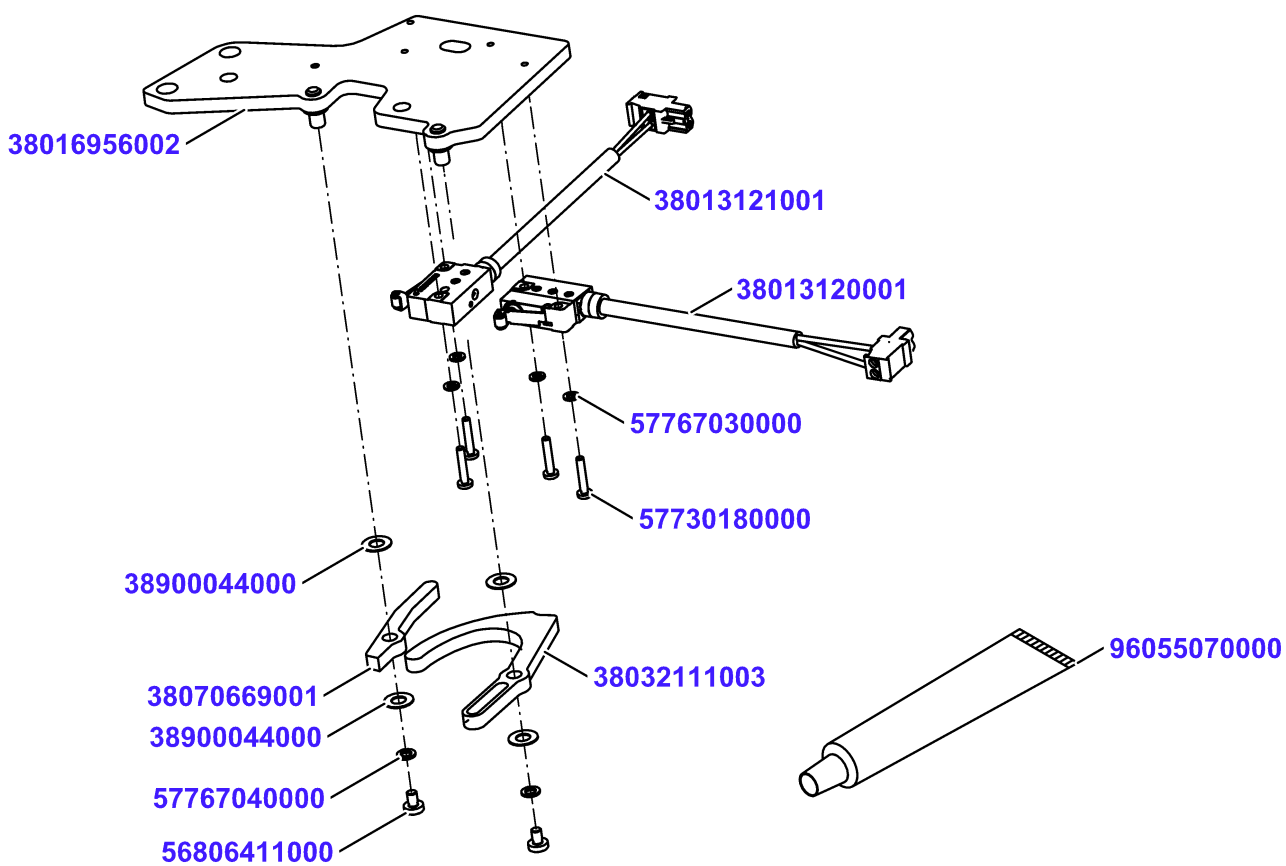
56081060000

adjusting ring 18mm

Material No.	Qty	Material description
56081060000	1	Set screw DIN916 M6x8-A2-70

	available for order	Wear part	Recomm. sp. part	Metr. relevance
---	---------------------	-----------	------------------	-----------------

Beam press

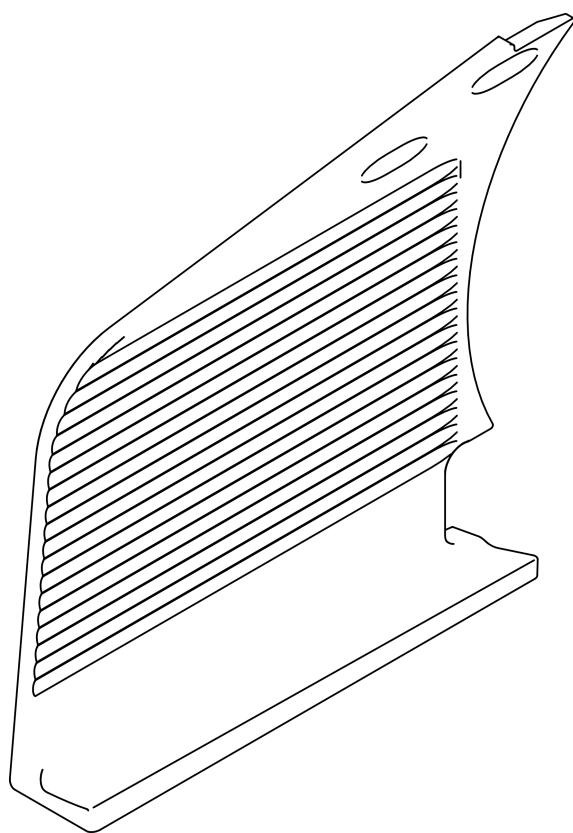


Beam preass

Material No.	Qty	Material description	available for order	Wear part	Recomm. sp. part	Metr. relevance
38016956002	1	Beam with studs	✓			
96055070000	0,001	Grease PARALIQ GA 343	✓			
38032111003	1	Lever	✓			
56806411000	1	Oval-head screw ISO14583 M4x6-A2-70-T20	✓			
38900044000	2	Shim ring DIN988-6x12x0,5	✓			
57767040000	1	Spring lock washer DIN128-A4-FSt	✓			
38070669001	1	lever	✓			
56806411000	1	Oval-head screw ISO14583 M4x6-A2-70-T20	✓			
38900044000	2	Shim ring DIN988-6x12x0,5	✓			
57767040000	1	Spring lock washer DIN128-A4-FSt	✓			
38013120001	1	switch gauge cleaning assembly	✓		✓	
57730180000	2	Oval-head screw ISO14583 M3x16-A2-70-T10	✓			
57767030000	2	Spring lock washer DIN128-A3-FSt	✓			
38013121001	1	switch gauge sharpen assembly	✓		✓	
57730180000	2	Oval-head screw ISO14583 M3x16-A2-70-T10	✓			
57767030000	2	Spring lock washer DIN128-A3-FSt	✓			

Gauge plate

38056112004



Gauge plate

Material No. **Qty** **Material description**

[38056112004](#) 1 Gauge Plate

available for order

Wear part

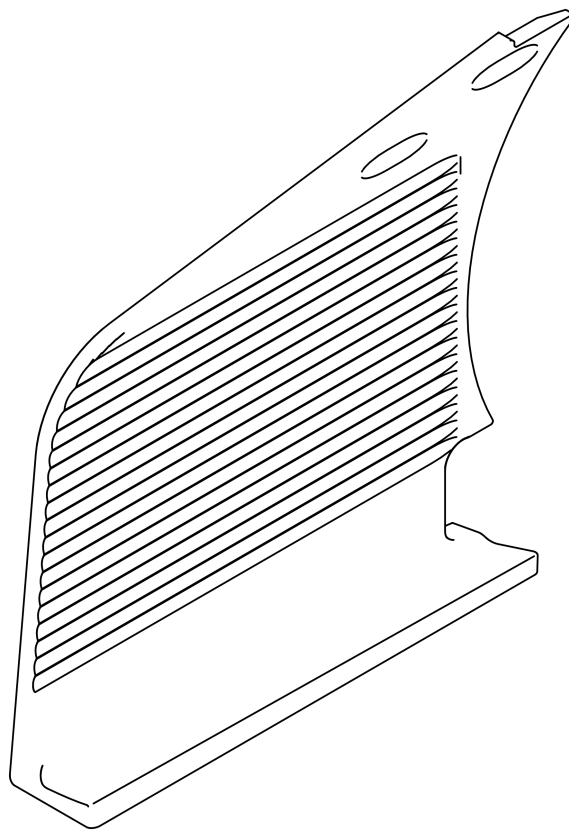
Recomm. sp. part

Metr. relevance




Gauge plate

38059518003

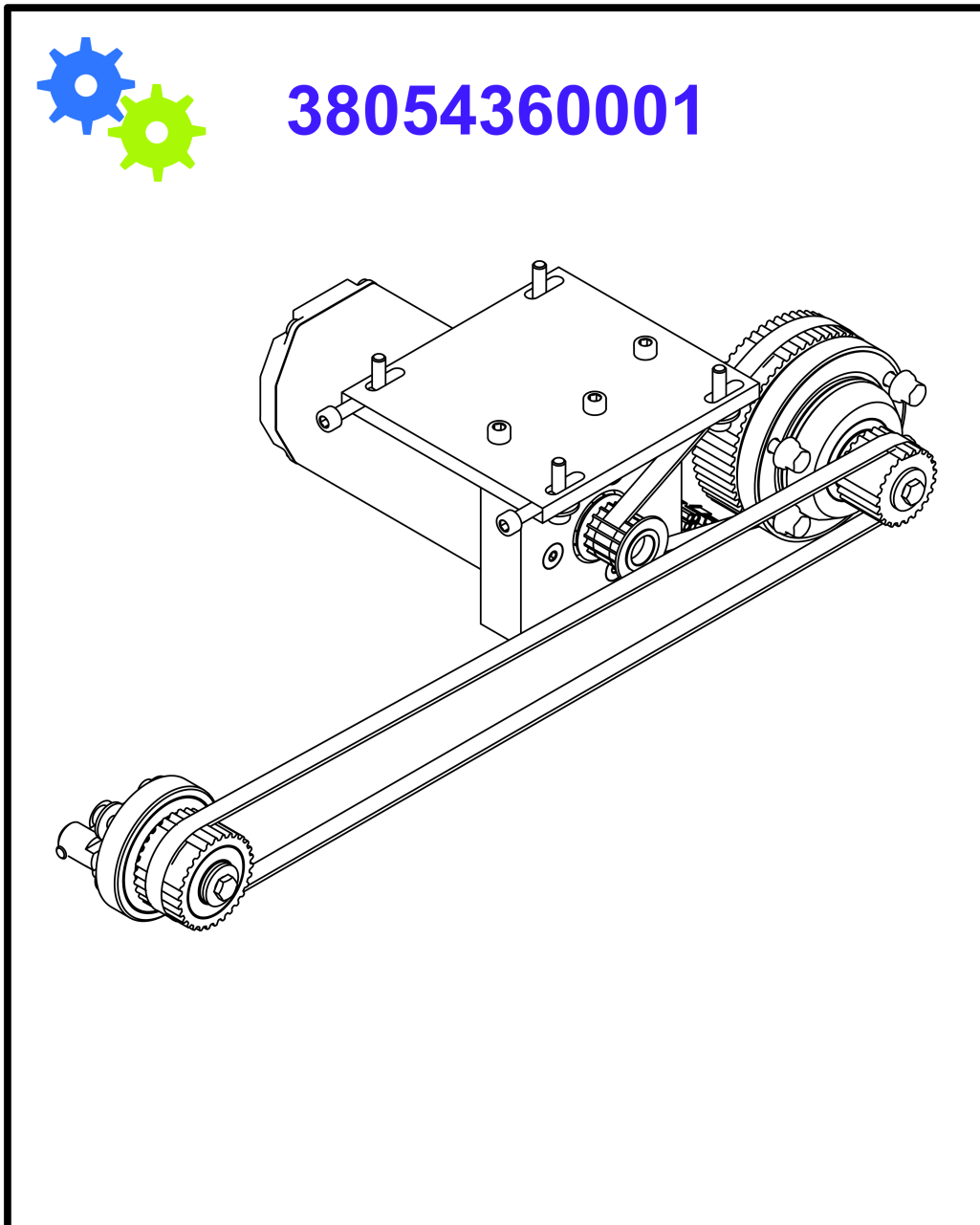


Gauge plate

Material No.	Qty	Material description
38059518003	1	Gauge plate C

	available for order
	Wear part
	Recomm. sp. part
	Metr. relevance

Carriage drive



Carriage drive

Material No. **Qty** **Material description**

[38054360001](#) 1 Carriage drive cpl

available for order

Wear part

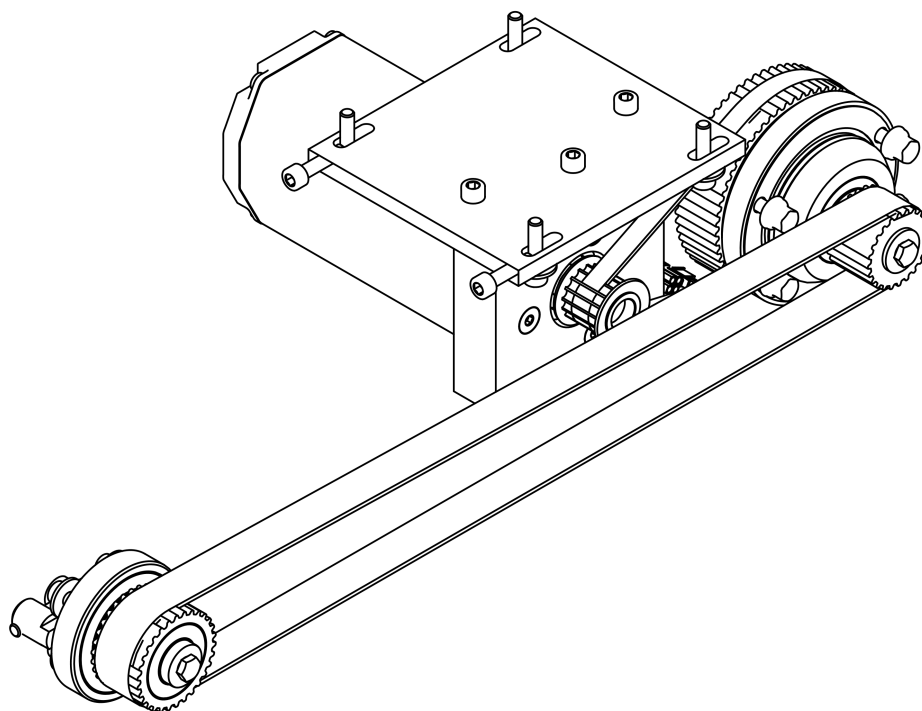
Recomm. sp. part

Metr. relevance

Carriage drive



38054360002



Carriage drive

Material No.	Qty	Material description
--------------	-----	----------------------

38054360002	1	Carriage Drive cpl.
-----------------------------	---	---------------------

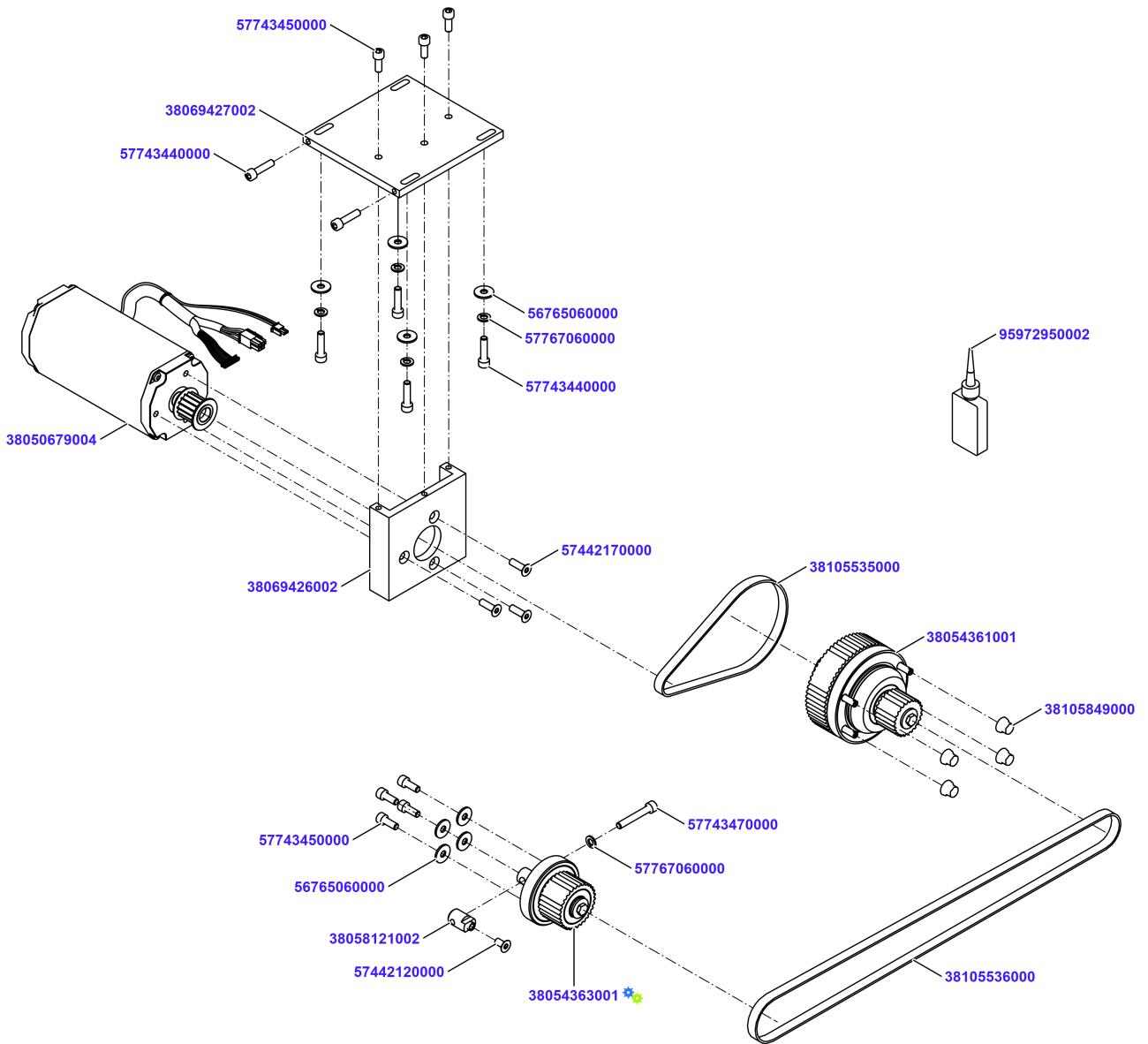
available for order

Wear part

Recomm. sp. part

Metr. relevance

Carriage drive cpl

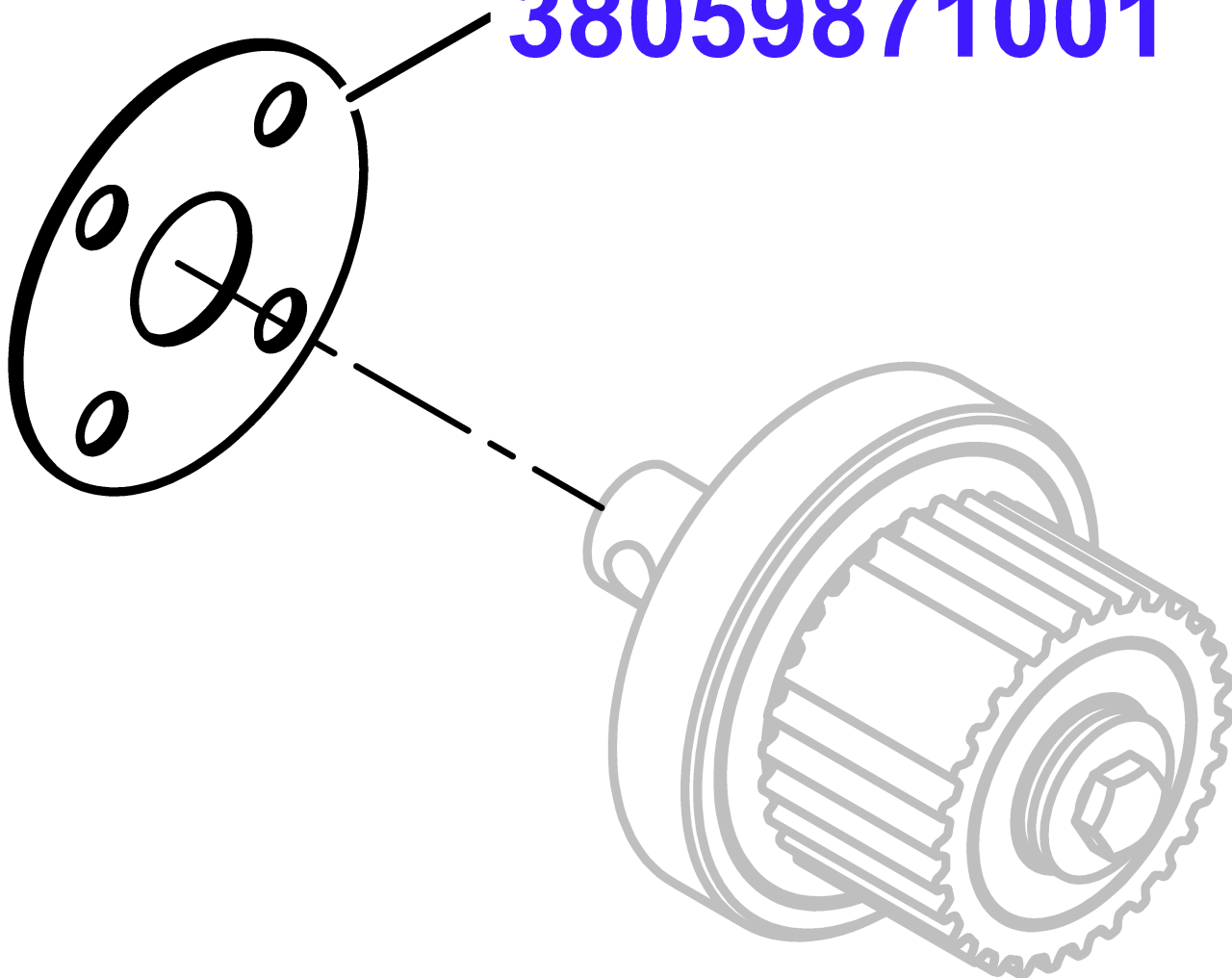


Carriage drive cpl

Material No.	Qty	Material description	available for order	Wear part	Recomm. sp. part	Metr. relevance
38050679004	1	Motor Long Carriage BG75x75	✓			
38069427002	1	Traverse	✓			
38069426002	1	flange	✓			
57743450000	3	Cylinder screw DIN912 M6x16-A2-70	✓			
95972950002	0,001	Loctite 243 50 ml	✓			
57442170000	3	Countersunk screw DIN7991 M6x20-A2-70	✓			
57743440000	4	Cylinder screw DIN912 M6x25-A2-70	✓			
57767060000	4	Spring lock washer DIN128-A6-FSt	✓			
56765060000	4	Washer DIN9021-6-A2	✓			
38054361001	1	Bearing housing cpl	✓		✓	
38105849000	4	Cap nut-M6 -1.4404	✓			
38054363001	1	Guide roller cpl	✓		✓	
57743450000	4	Cylinder screw DIN912 M6x16-A2-70	✓			
56765060000	4	Washer DIN9021-6-A2	✓			
38058121002	1	Bolt 15 x 25	✓			
57442120000	1	Countersunk screw DIN7991 M6x12-A2-70	✓			
57743470000	1	Cylinder screw DIN912 M6x40-A2-70	✓			
57767060000	1	Spring lock washer DIN128-A6-FSt	✓			
38105535000	1	Toothed belt 10 5x410	✓	✓	✓	
57743440000	2	Cylinder screw DIN912 M6x25-A2-70	✓			
38105536000	1	Toothed belt 10 5x1000	✓	✓	✓	

Guide roller cpl

38059871001

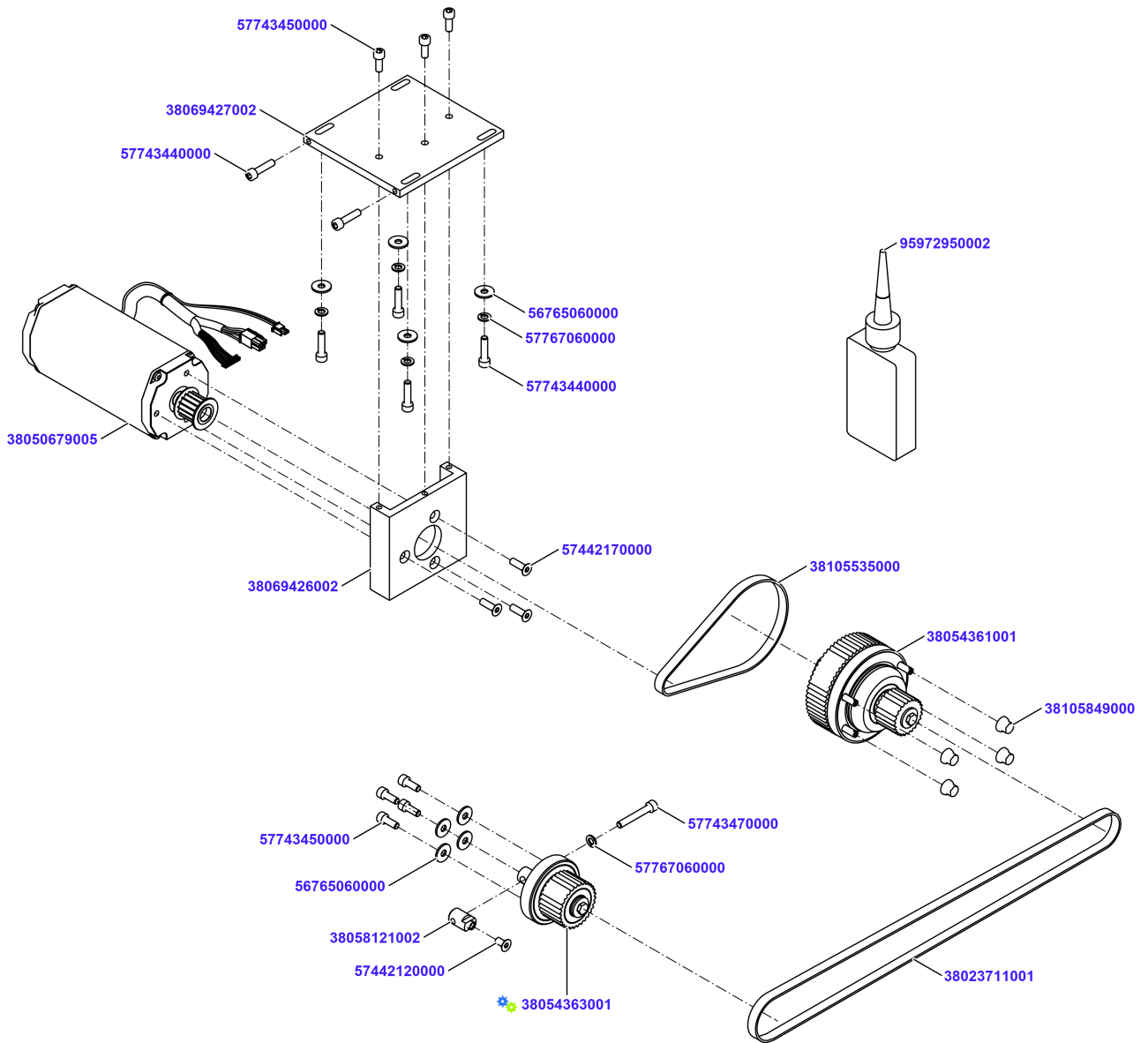


Guide roller cpl

available for order
Wear part
Recomm. sp. part
Metr. relevance

Material No.	Qty	Material description
38059871001	1	Gasket

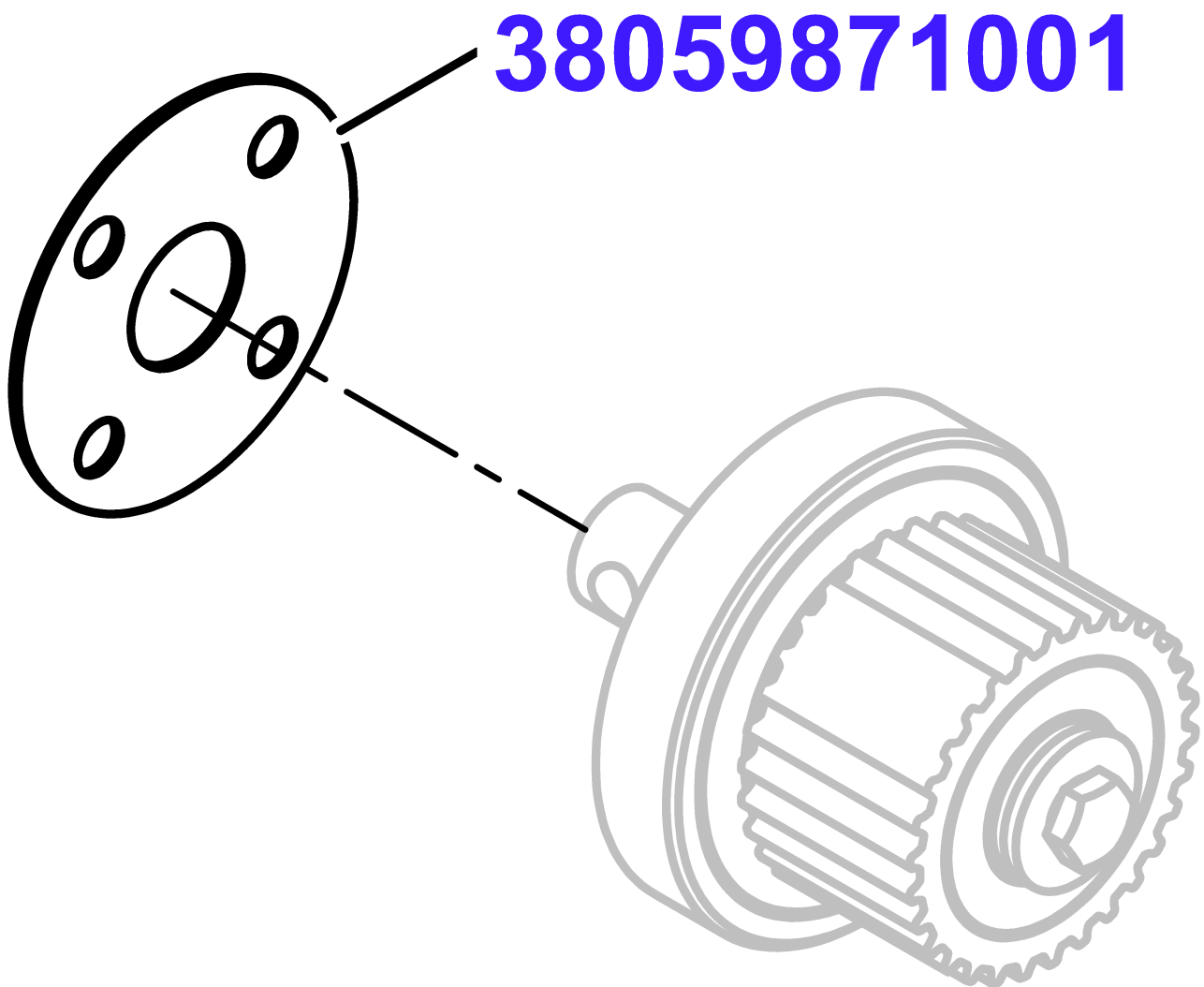
Carriage Drive cpl.



Carriage Drive cpl.

Material No.	Qty	Material description	available for order	Wear part	Recomm. sp. part	Metr. relevance
38050679005	1	Motor Long Carriage BG75x75	✓			
38069427002	1	Traverse	✓			
38069426002	1	flange	✓			
57743450000	3	Cylinder screw DIN912 M6x16-A2-70	✓			
95972950002	0,001	Loctite 243 50 ml	✓			
57442170000	3	Countersunk screw DIN7991 M6x20-A2-70	✓			
57743440000	4	Cylinder screw DIN912 M6x25-A2-70	✓			
57767060000	4	Spring lock washer DIN128-A6-FSt	✓			
56765060000	4	Washer DIN9021-6-A2	✓			
38054361001	1	Bearing housing cpl	✓		✓	
38105849000	4	Cap nut-M6 -1.4404	✓			
38054363001	1	Guide roller cpl	✓		✓	
57743450000	4	Cylinder screw DIN912 M6x16-A2-70	✓			
56765060000	4	Washer DIN9021-6-A2	✓			
38058121002	1	Bolt 15 x 25	✓			
57442120000	1	Countersunk screw DIN7991 M6x12-A2-70	✓			
57743470000	1	Cylinder screw DIN912 M6x40-A2-70	✓			
57767060000	1	Spring lock washer DIN128-A6-FSt	✓			
38105535000	1	Toothed belt 10 5x410	✓	✓	✓	
57743440000	2	Cylinder screw DIN912 M6x25-A2-70	✓			
38023711001	1	Toothed Belt STS 200 HP S5M 1000 NG	✓	✓	✓	

Guide roller cpl



Guide roller cpl

available for order
Wear part
Recomm. sp. part
Metr. relevance

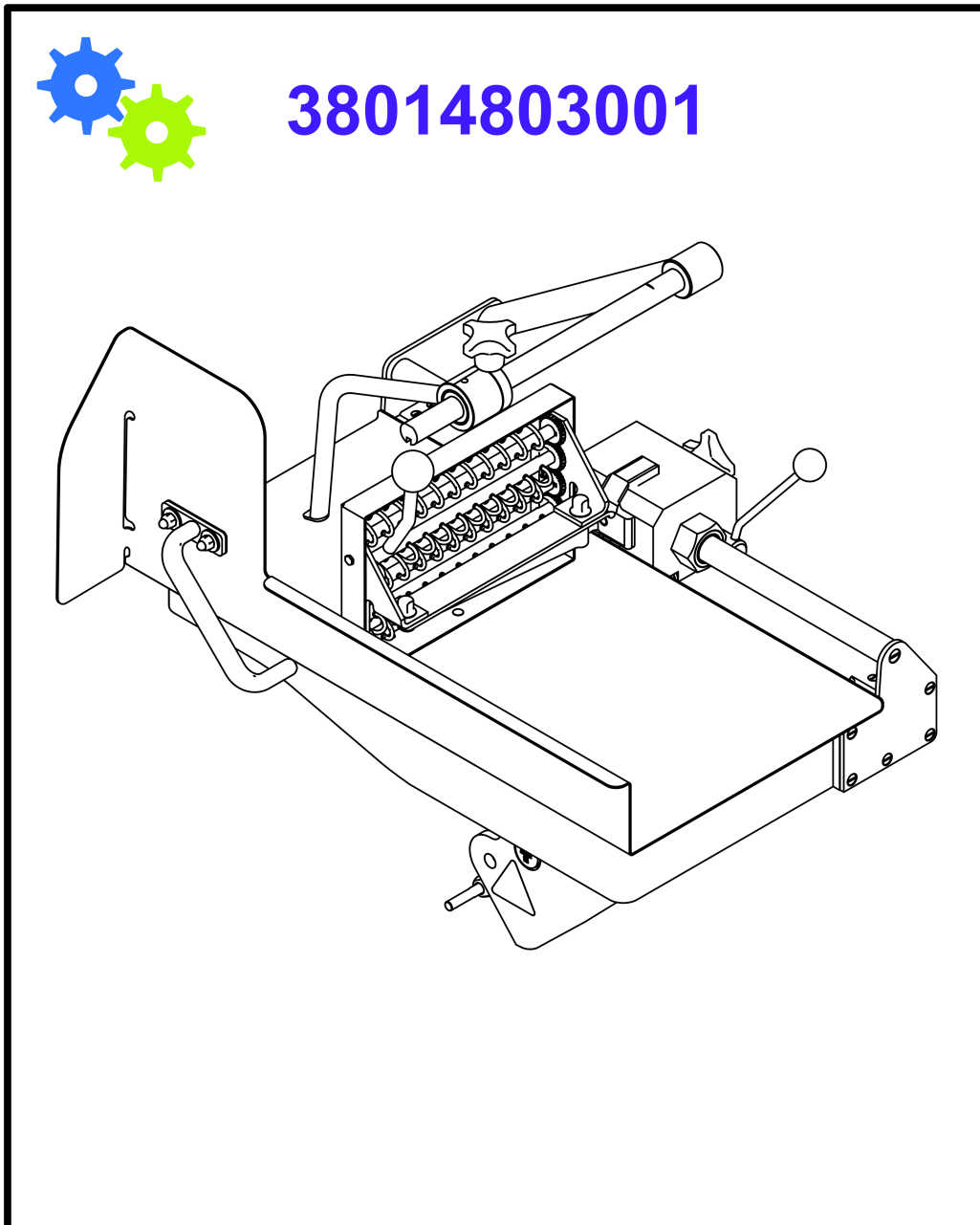
Material No.	Qty	Material description
38059871001	1	Gasket

Carriages 400

Carriages 400

Material No.	Qty	Material description	available for order	Wear part	Recomm. sp. part	Metr. relevance
...	1	Carriage stroke 240mm up to 11540649				
...	1	Carriage stroke 270mm as from 11540650				

Carriage stroke 240mm up to 11540649



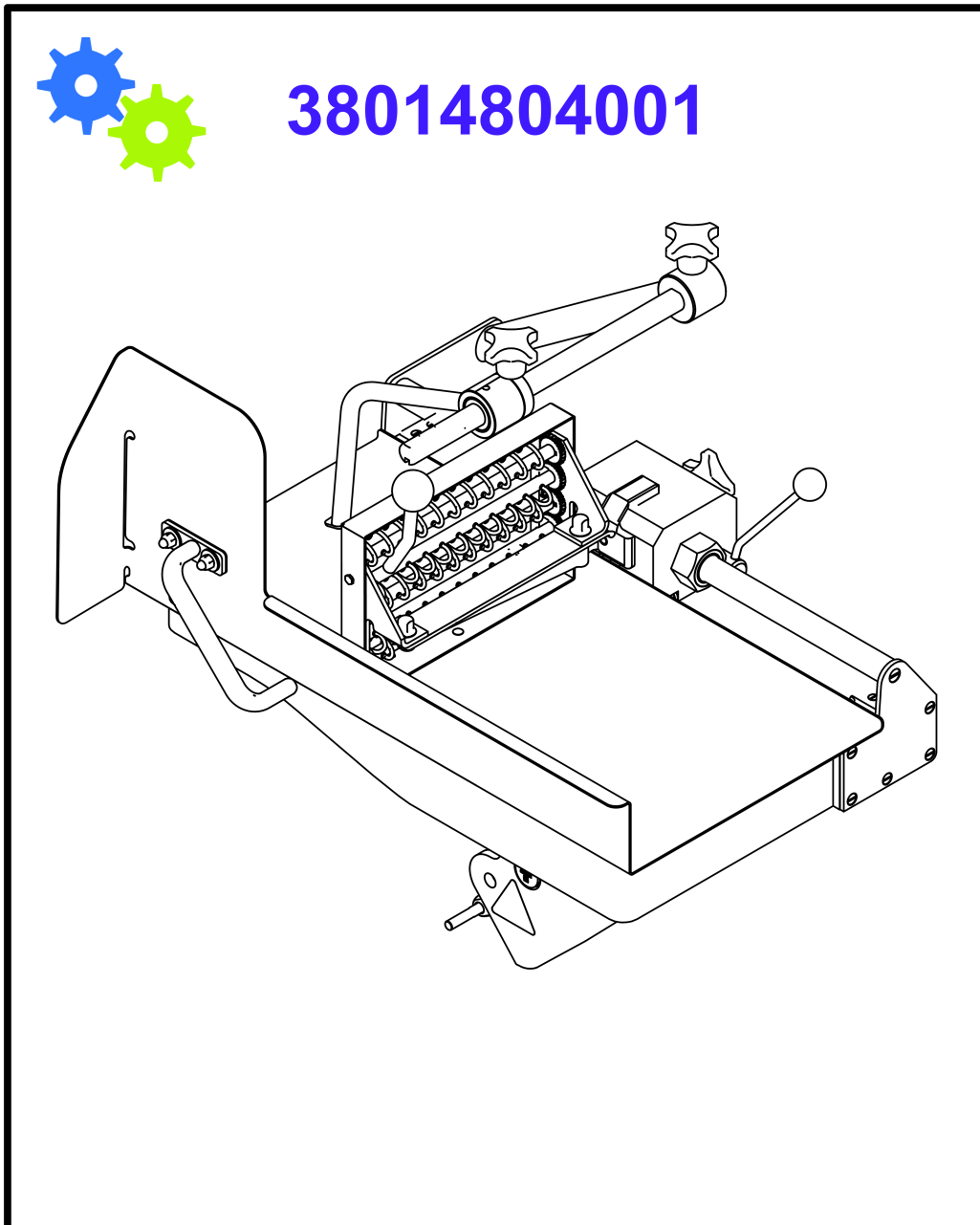
Carriage stroke 240mm up to 11540649

Material No. **Qty** **Material description**

38014803001 1 Carriage 400

available for order
Wear part
Recomm. sp. part
Metr. relevance

Carriage stroke 240mm up to 11540649



Carriage stroke 240mm up to 11540649

Material No.	Qty	Material description
--------------	-----	----------------------

38014804001	1	Carriage 400 NSF
-----------------------------	---	------------------

available for order

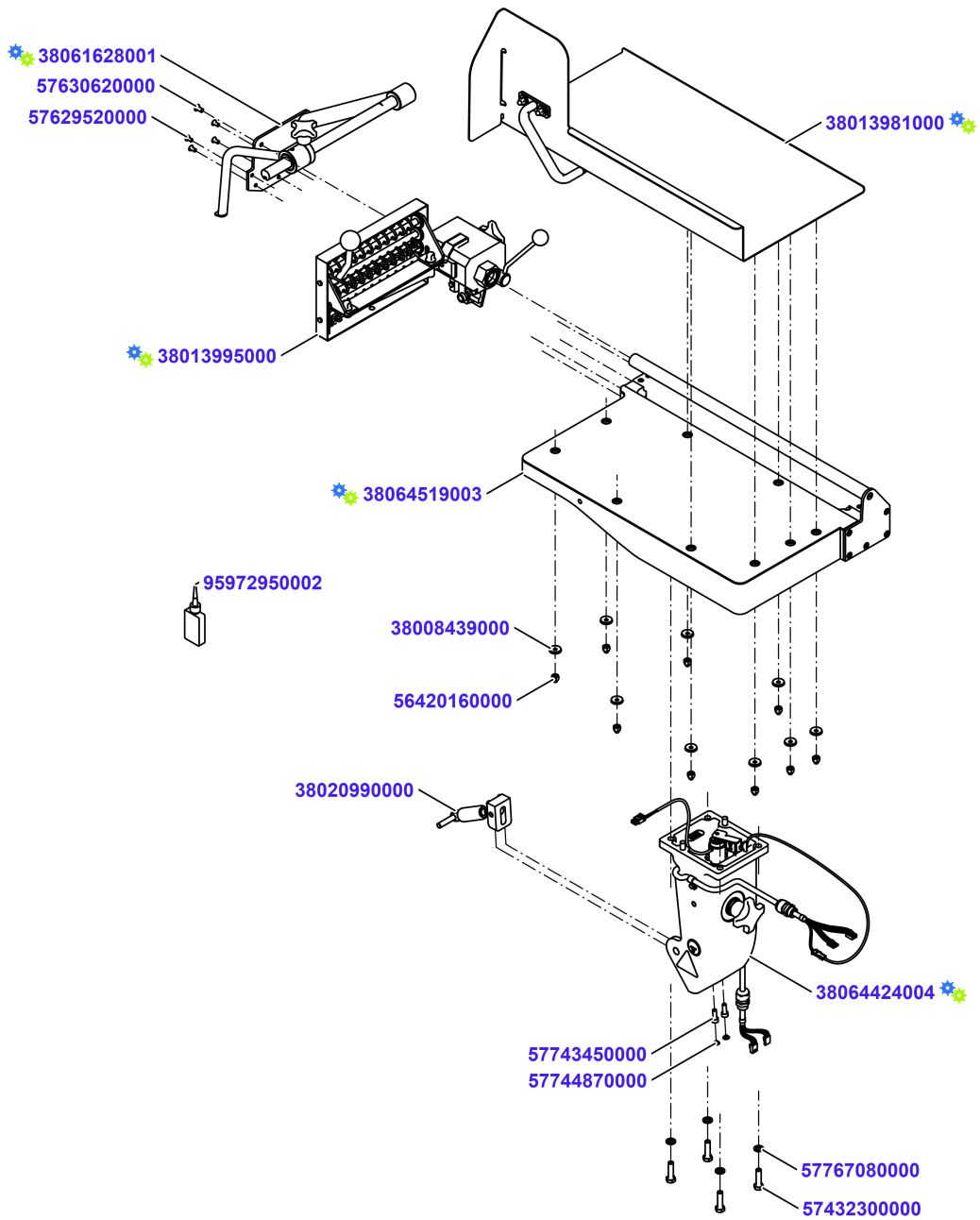
Wear part

Recomm. sp. part

Metr. relevance



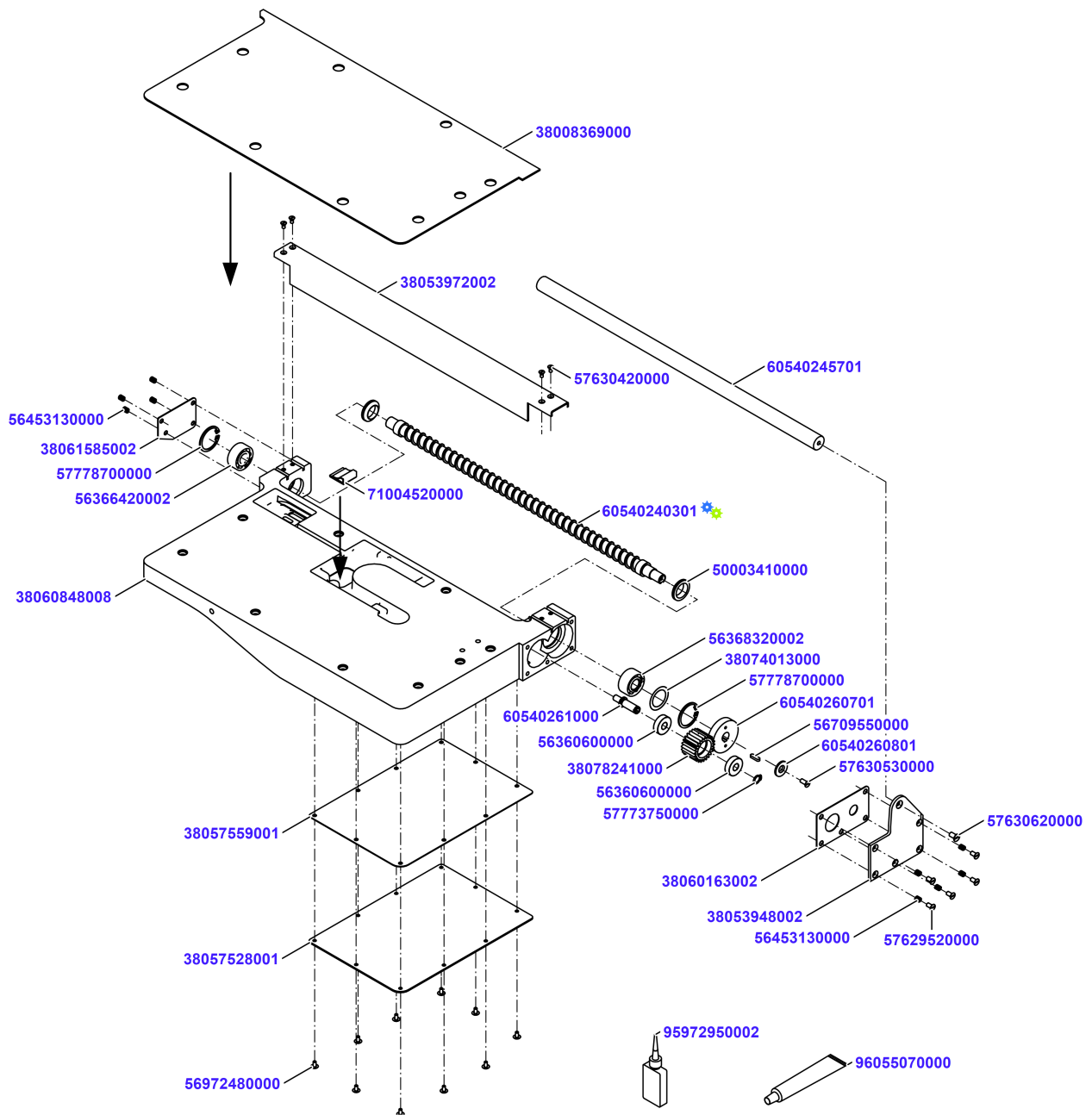
Carriage 400



Carriage 400

Material No.	Qty	Material description	available for order	Wear part	Recomm. sp. part	Metr. relevance
38064519003	1	Carriage 400 cpl				
38013981000	1	Carriage Plate 400 preass	✓			
56420160000	9	Cap nut DIN986-M6-A2	✓			
38008439000	9	Sealing washer M6	✓		✓	
38013995000	1	Product Holder non folding NSF cpl				
38061628001	1	Product Supporter top cpl				
57629520000	4	Countersunk screw DIN963 M5x10-A2-70	✓			
95972950002	0,001	Loctite 243 50 ml	✓			
57630620000	1	Countersunk screw DIN963 M6x12-A2-70	✓			
38064424004	1	Carriage Foot high cpl				
57432300000	4	Hexagon screw DIN933 M8x30 A2-70	✓			
57767080000	4	Spring lock washer DIN128-A8-A2	✓			
38020990000	1	Gas Spring Carriage 400 cpl	✓		✓	
57743450000	2	Cylinder screw DIN912 M6x16-A2-70	✓			
57744870000	2	Protective plug 10x5,2x3,1-PE	✓		✓	

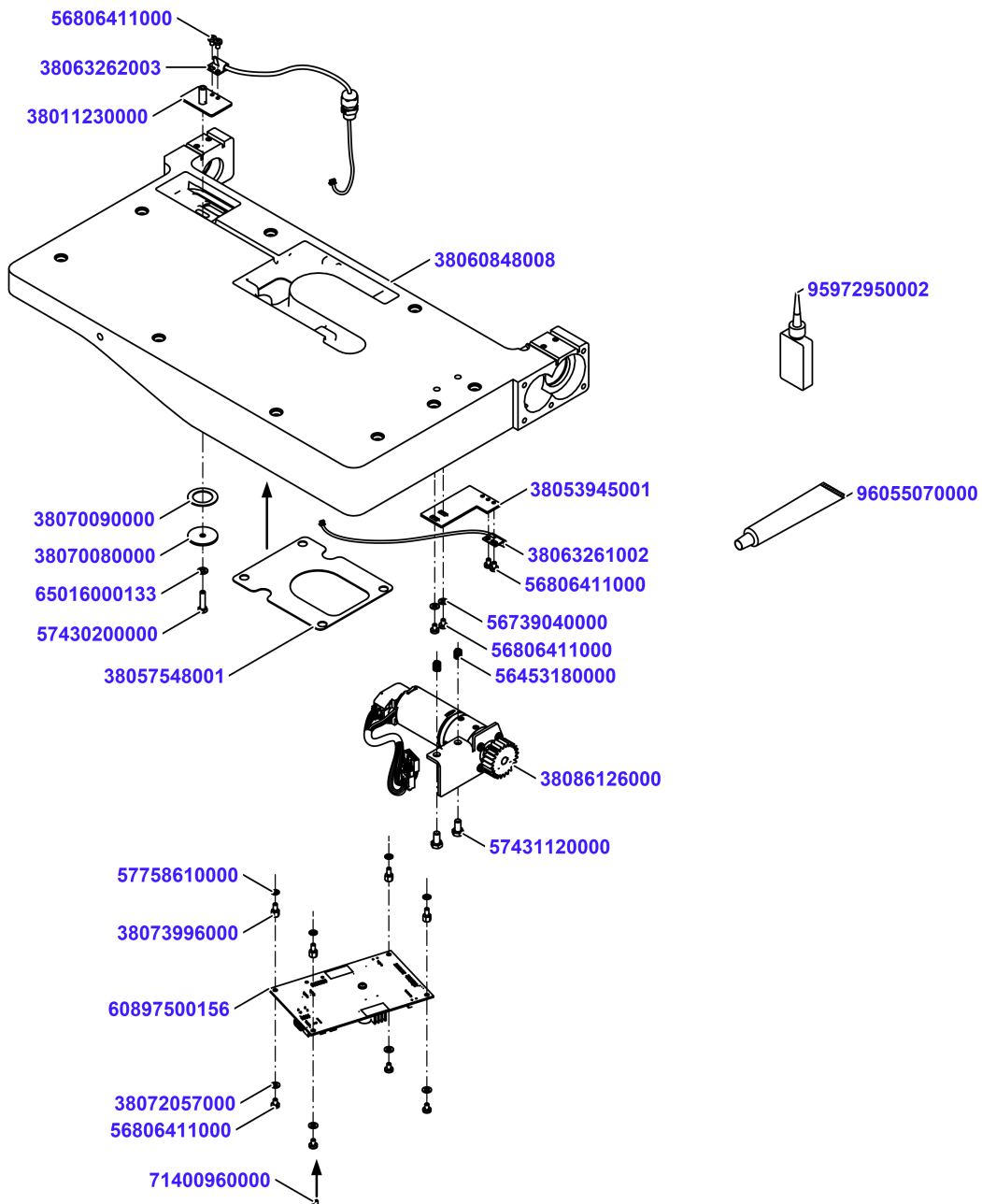
Carriage 400 cpl



Carriage 400 cpl

Material No.	Qty	Material description	available for order	Wear part	Recomm. sp. part	Metr. relevance
38060848008	1	Carriage 400 Cast machined	✓			
56453130000	9	Thread insert M5x7,5-A2	✓			
56366420002	1	Self-Aligning Ball Bearing 2202	✓			
57778700000	1	Retaining ring DIN472-35x1,5	✓			
50003410000	1	Wiper ring 30x20x7	✓			
60540240301	1	Feed Spindle ass.	✓			
50003410000	1	Wiper ring 30x20x7	✓			
56368320002	1	Angular bearing double-row 15x35x15,9	✓			
57778700000	1	Retaining ring DIN472-35x1,5	✓			
38074013000	1	Shim ring DIN988-25x35x0,1	✓			
60540260701	1	Gear Wheel	✓			
96055070000	0,001	Grease PARALIQ GA 343	✓			
56709550000	1	Parallel key DIN6885-A 5x3x16	✓			
60540260801	1	Washer	✓			
57630530000	1	Countersunk screw DIN963 M5x12-A2-70	✓			
95972950002	0,001	Loctite 243 50 ml	✓			
60540261000	1	bolt	✓			
38078241000	1	Gear Wheel	✓			
56360600000	2	Grooved ball bearing DIN625 10x26x8	✓			
57773750000	1	Retaining ring DIN471-10x1	✓			
38053972002	1	Guide Rail 400er	✓			
57630420000	4	Countersunk screw DIN963 M4x8-A2-70	✓			
71004520000	1	Flat Cabel Holder 3484-1000	✓			
38053948002	1	Flange	✓			
38060163002	1	Sealing	✓		✓	
57629520000	5	Countersunk screw DIN963 M5x10-A2-70	✓			
38061585002	1	sealing	✓		✓	
60540245701	1	guide shaft	✓			
57630620000	1	Countersunk screw DIN963 M6x12-A2-70	✓			
38008369000	1	Seal Carriage Plate 521x260x2	✓		✓	
38057528001	1	Cover 255,4x177,4x2	✓			
38057559001	1	Seal Cover	✓		✓	
56972480000	10	Mushroom head screw M4x8-A2-70 Tuflok	✓			

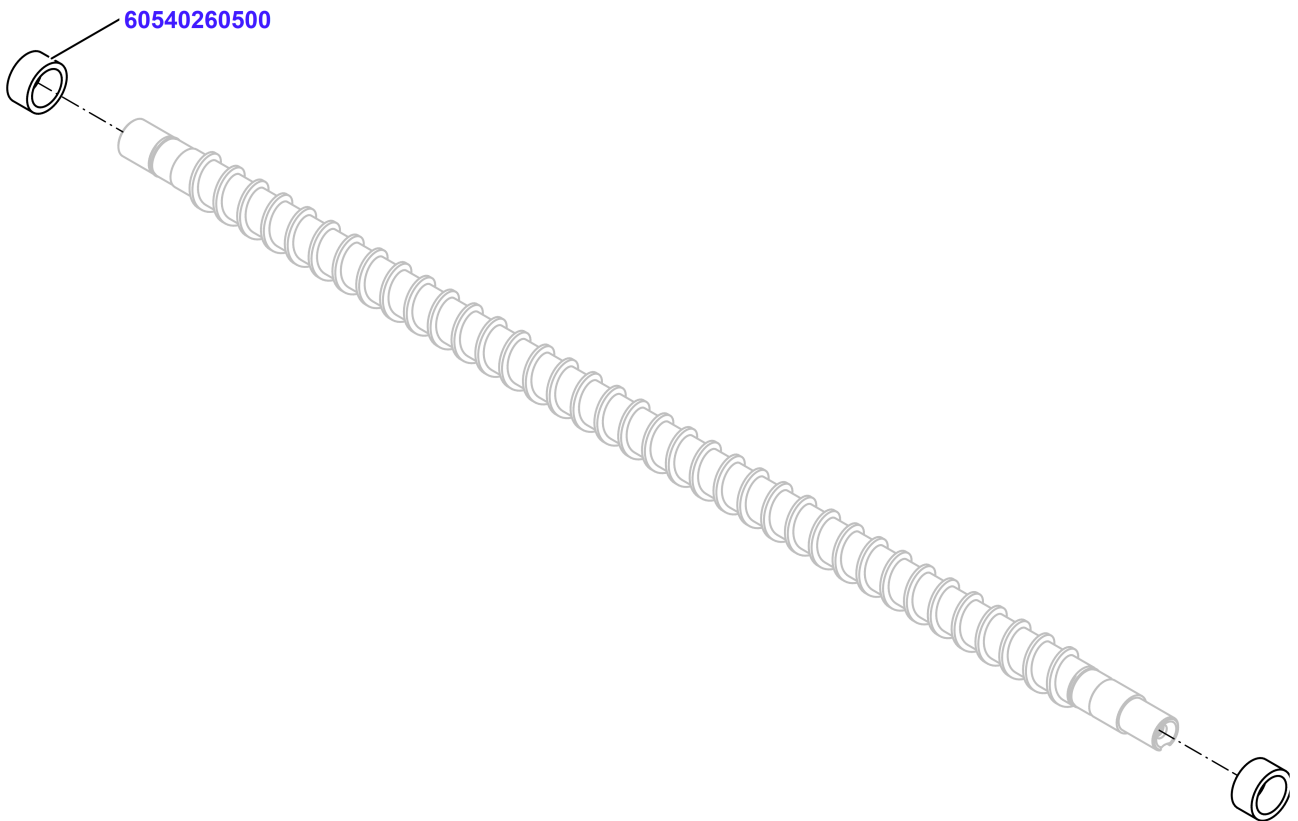
Carriage 400 cpl



Carriage 400 cpl

Material No.	Qty	Material description	available for order	Wear part	Recomm. sp. part	Metr. relevance
38060848008	1	Carriage 400 Cast machined	✓			
56453180000	2	Threaded insert M6x9	✓			
96055070000	0,001	Grease PARALIQ GA 343	✓			
95972950002	0,001	Loctite 243 50 ml	✓			
38053945001	1	Board	✓			
38063261002	1	Sensor product feeding 1 VSI	✓			
56806411000	4	Oval-head screw ISO14583 M4x6-A2-70-T20	✓			
56739040000	2	Washer DIN125-A 4.3-A2-70	✓			
38011230000	1	Board cpl	✓			
38063262003	1	Sensor product feeding 2 VSI	✓			
56806411000	2	Oval-head screw ISO14583 M4x6-A2-70-T20	✓			
38070080000	1	Washer	✓			
38070090000	1	Sealing	✓		✓	
57430200000	1	Hexagon screw DIN933 M5x20 A2-70	✓			
65016000133	1	Washer 5-PA	✓			
38086126000	1	Motor Product Feeding BG42x15 cpl	✓			
57431120000	2	Hexagon screw DIN933 M6x12 A2-70	✓			
60897500156	1	Bootl.+ PCBA MC 3ph 2ch lv bus	✓			
71400960000	1	Short Circuit Bracket 3131 731000406	✓		✓	
57758610000	4	Toothed washer DIN6797-A 4,3-Fst	✓			
38073996000	4	Distance bolt SW7x6 M4-M4 In-Out	✓			
56806411000	4	Oval-head screw ISO14583 M4x6-A2-70-T20	✓			
38072057000	4	Washer DIN125-A-4-PA6	✓			
38057548001	1	Seal	✓		✓	

Feed Spindle ass.



Feed Spindle ass.

Material No.	Qty	Material description
60540260500	2	ring

available for order

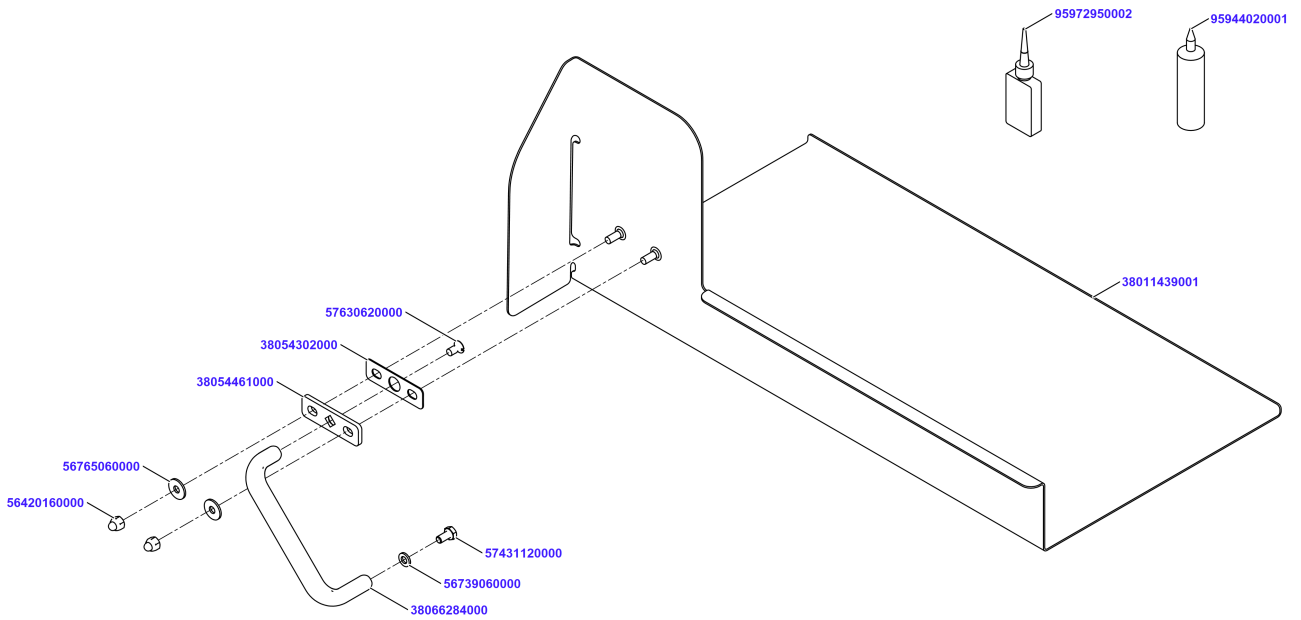
Wear part

Recomm. sp. part

Metr. relevance



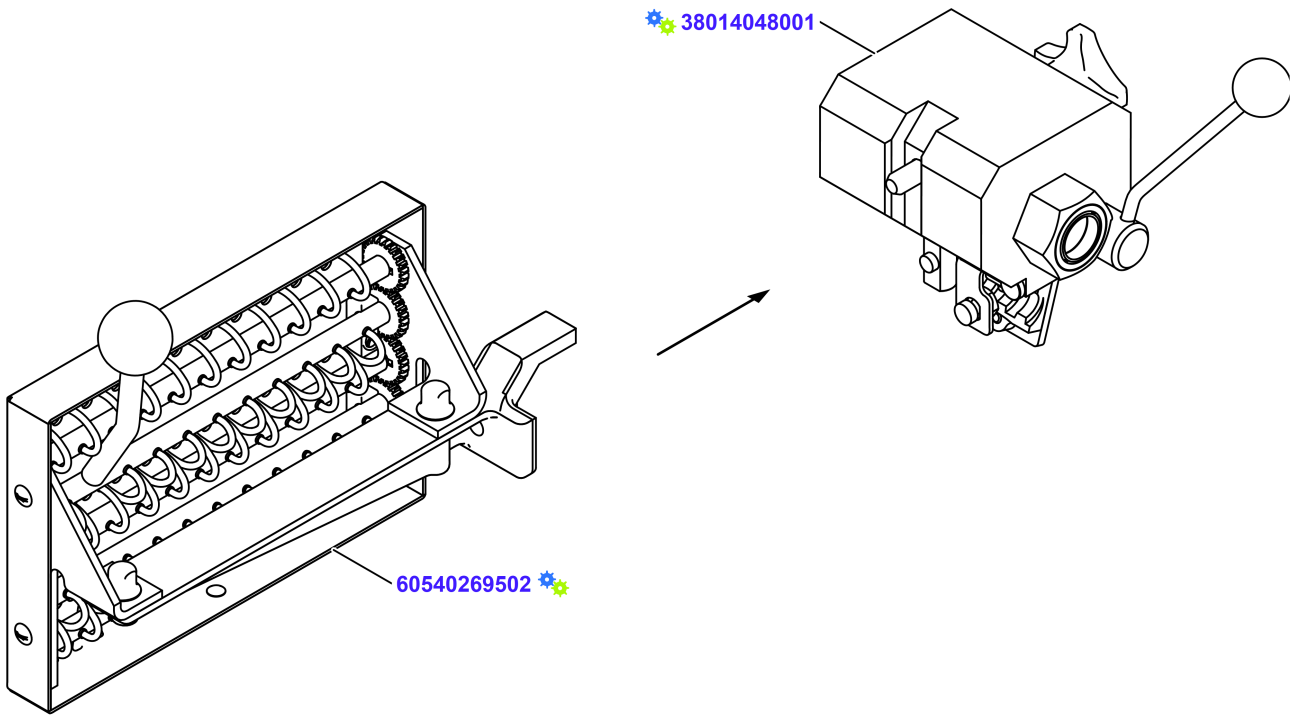
Carriage Plate 400 preass



Carriage Plate 400 preass

Material No.	Qty	Material description	available for order	Wear part	Recomm. sp. part	Metr. relevance
38011439001	1	Carriage Plate welded	✓			
38066284000	1	Handle	✓			
38054461000	1	Plate	✓			
38054302000	1	Gasket	✓		✓	
95944020001	10	Silicone Rubber Elastosil E41 90ml	✓			
57630620000	1	Countersunk screw DIN963 M6x12-A2-70	✓			
95972950002	0,001	Loctite 243 50 ml	✓			
56420160000	2	Cap nut DIN986-M6-A2	✓			
56765060000	2	Washer DIN9021-6-A2	✓			
57431120000	1	Hexagon screw DIN933 M6x12 A2-70	✓			
56739060000	1	Washer DIN125-A-6-A2	✓			

Product Holder non folding NSF cpl

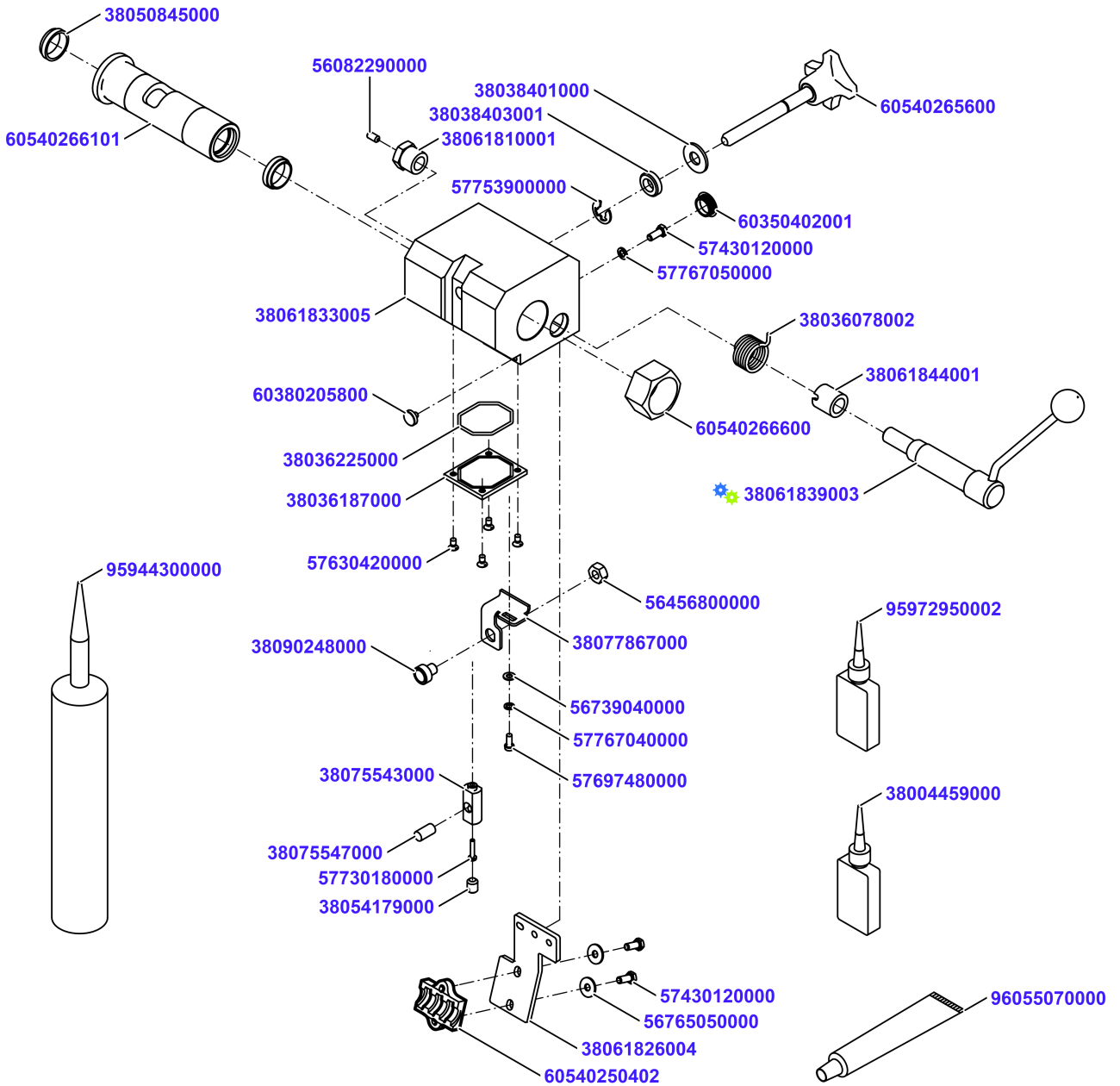


Product Holder non folding NSF cpl

Material No.	Qty	Material description
38014048001	1	Product Holder Guide NSF cpl
60540269502	1	Product holder ass.

available for order
Wear part
Recomm. sp. part
Metr. relevance

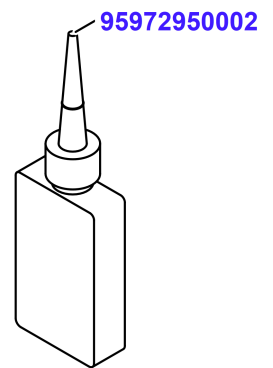
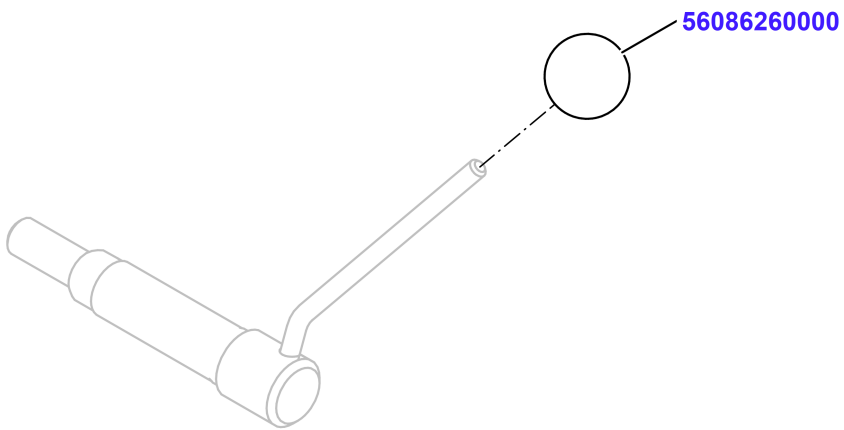
Product Holder Guide NSF cpl



Product Holder Guide NSF cpl

Material No.	Qty	Material description	available for order	Wear part	Recomm. sp. part	Metr. relevance
38061833005	1	Product Holder Guide	✓			
60540265600	1	locking lever mount.	✓			
38038401000	1	washer	✓			
38038403001	1	Bushing 19,1x10,7x5	✓			
57753900000	1	Retaining washer DIN6799-9	✓			
60540266101	1	Bushing complete	✓	✓	✓	
38050845000	2	Deflector Ring	✓			
60540266600	1	hex nut	✓			
38061839003	1	Bolt NSF cpl	✓			
38061844001	1	Sleeve	✓			
38036078002	1	torsion spring left	✓			
96055070000	0,005	Grease PARALIQ GA 343	✓			
38061810001	1	Screw Nut	✓			
38004459000	0,001	Loctite 648	✓			
56082290000	1	Set screw DIN438 M5x10-A2-70	✓			
95972950002	0,001	Loctite 243 50 ml	✓			
38061826004	1	Holder	✓			
60540250402	1	Nut Plate	✓	✓	✓	
56765050000	2	Washer DIN9021-5-A2	✓			
57767050000	1	Spring lock washer DIN128-A5-FSt	✓			
57430120000	3	Hexagon screw DIN933 M5x12 A2-70	✓			
60350402001	1	Protective plug	✓			
95944300000	1	Kitchen silicone ELASTO4710	✓			
38036187000	1	cover	✓			
38036225000	1	seal	✓		✓	
57630420000	4	Countersunk screw DIN963 M4x8-A2-70	✓			
38077867000	1	Magnet Base	✓			
38090248000	1	Magnet Vacodym 370 wz round 10x4 preass	✓		✓	
56456800000	1	Hexagon nut DIN934-M8-A2	✓			
57697480000	1	Cylinder screw DIN84 M4x10-A2-70	✓			
56739040000	1	Washer DIN125-A 4.3-A2-70	✓			
57767040000	1	Spring lock washer DIN128-A4-FSt	✓			
38075543000	1	Mounting Pin	✓			
57730180000	1	Oval-head screw ISO14583 M3x16-A2-70-T10	✓			
38075547000	1	Parallel Pin 8x15	✓			
38054179000	1	Set screw DIN438 M8x10-A2-70	✓			
60380205800	1	SLIDE PIN	✓			

Bolt NSF cpl

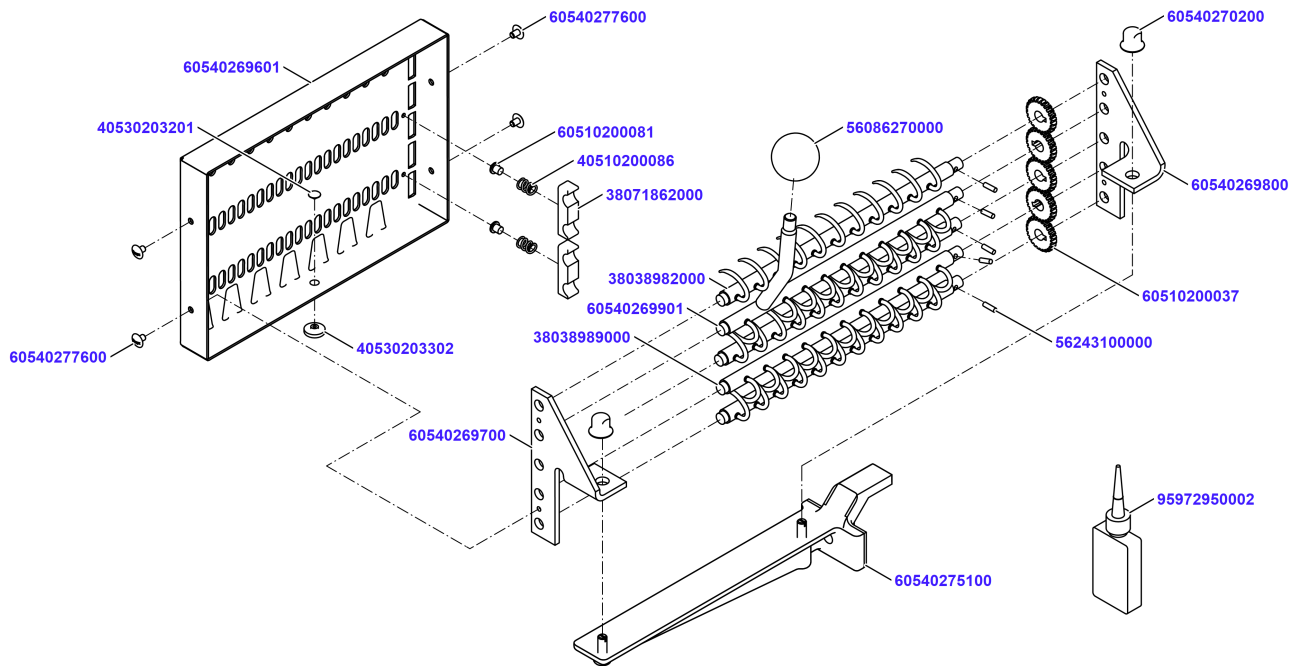


Bolt NSF cpl

Material No.	Qty	Material description
56086260000	1	Ball knob DIN319 M6x25 I
95972950002	0,001	Loctite 243 50 ml

available for order
Wear part
Recomm. sp. part
Metr. relevance

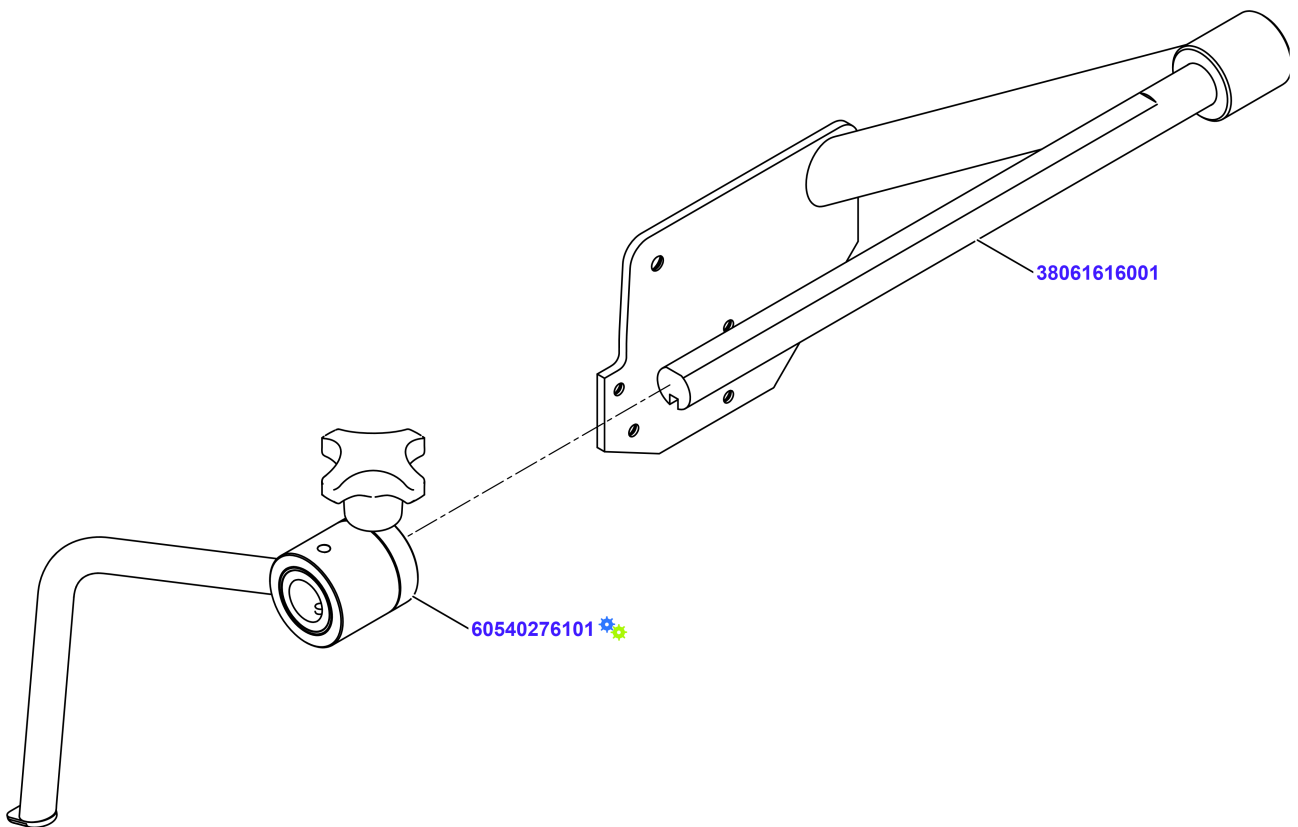
Product holder ass.



Product holder ass.

Material No.	Qty	Material description	available for order	Wear part	Recomm. sp. part	Metr. relevance
60540269601	1	product holder	✓			
60510200081	2	collar stud	✓			
60540269700	1	Side frame left	✓			
60540269800	1	Side frame right	✓			
38038982000	3	Gripper Shaft cpl.	✓			
38038989000	1	Gripper Shaft cpl.	✓			
60540269901	1	Gripper Shaft cpl	✓			
56086270000	1	Ball knob DIN319 M8x32 I	✓			
56243100000	5	Cylindrical pin EN 22338-3h11x10-A2	✓			
60510200037	5	Pinion	✓			
40510200086	2	Pressure spring	✓			
38071862000	2	brake pad	✓			
60540277600	4	self-tapping screw	✓			
60540275100	1	Holder preass.	✓			
60540270200	2	cap nut	✓		✓	
95972950002	0,001	Loctite 243 50 ml	✓			
40530203201	1	push button	✓			
40530203302	1	sliding piece	✓		✓	

Product Supporter top cpl

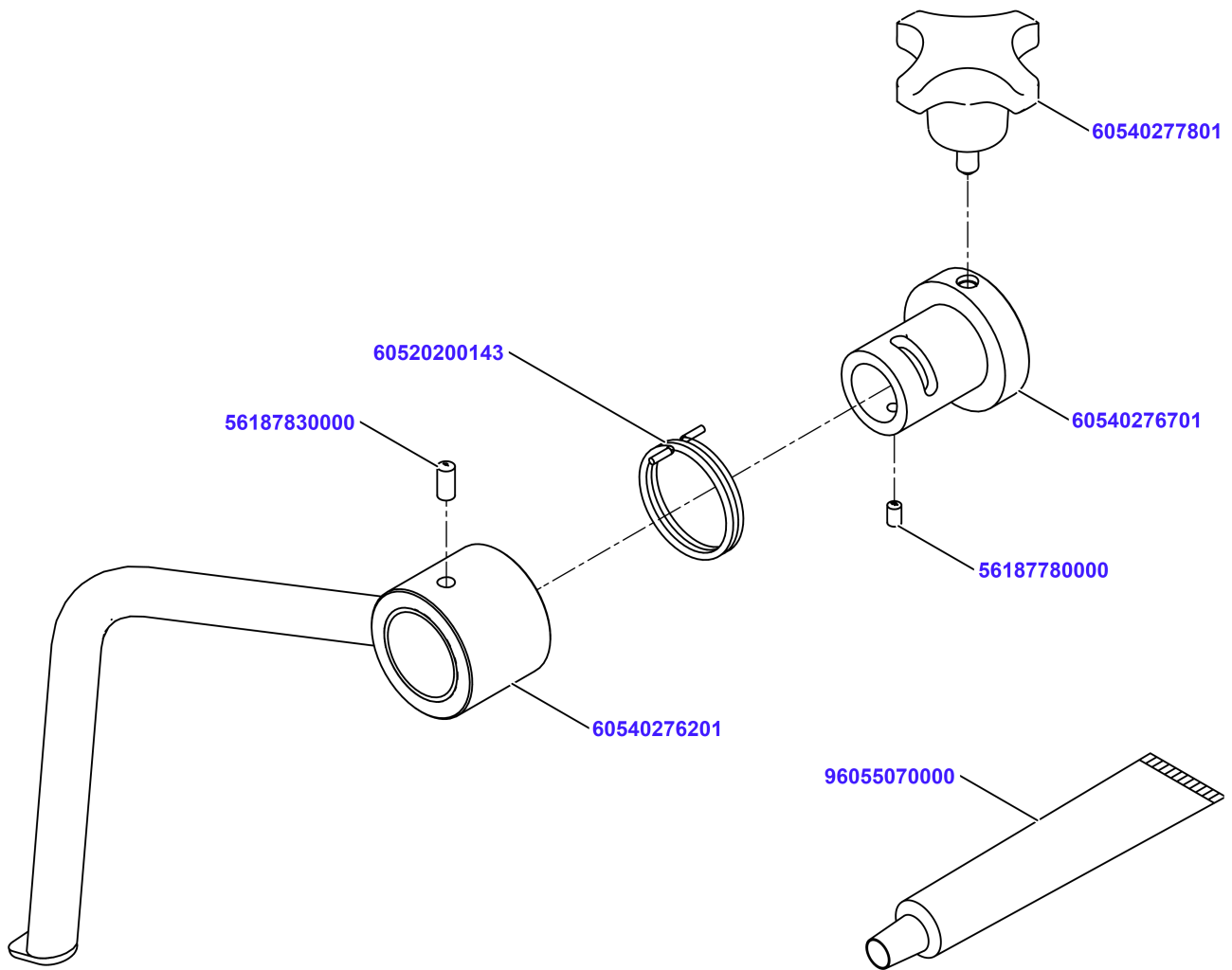


Product Supporter top cpl








Material No.	Qty	Material description
38061616001	1	Mounting with Shaft
60540276101	1	HOULDING DOWN DEVICE ASS.

available for order
Wear part
Recomm. sp. part
Metr. relevance

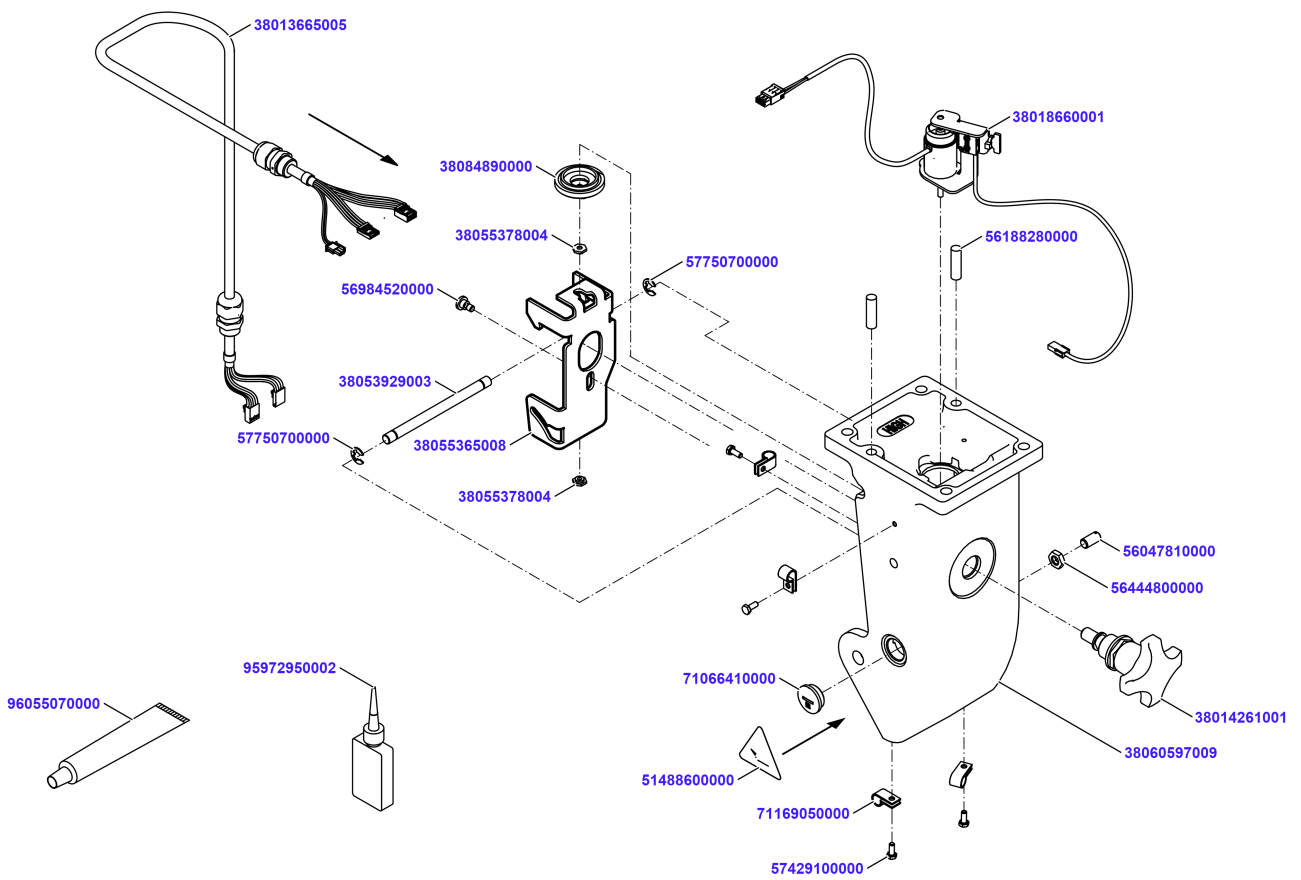
HOULDING DOWN DEVICE ASS.



HOULDING DOWN DEVICE ASS.

Material No.	Qty	Material description	available for order	Wear part	Recomm. sp. part	Metr. relevance
60540276201	1	Holding Down Device preass.				
60540276701	1	hub				
60540277801	1	LOCKING SCREW				
60520200143	1	torsion spring				
56187830000	1	Cylindrical pin EN 22338-5m6x10-A2				
96055070000	0,005	Grease PARALIQ GA 343				
56187780000	1	Cylindrical pin EN 22338-4m6x6-A2				

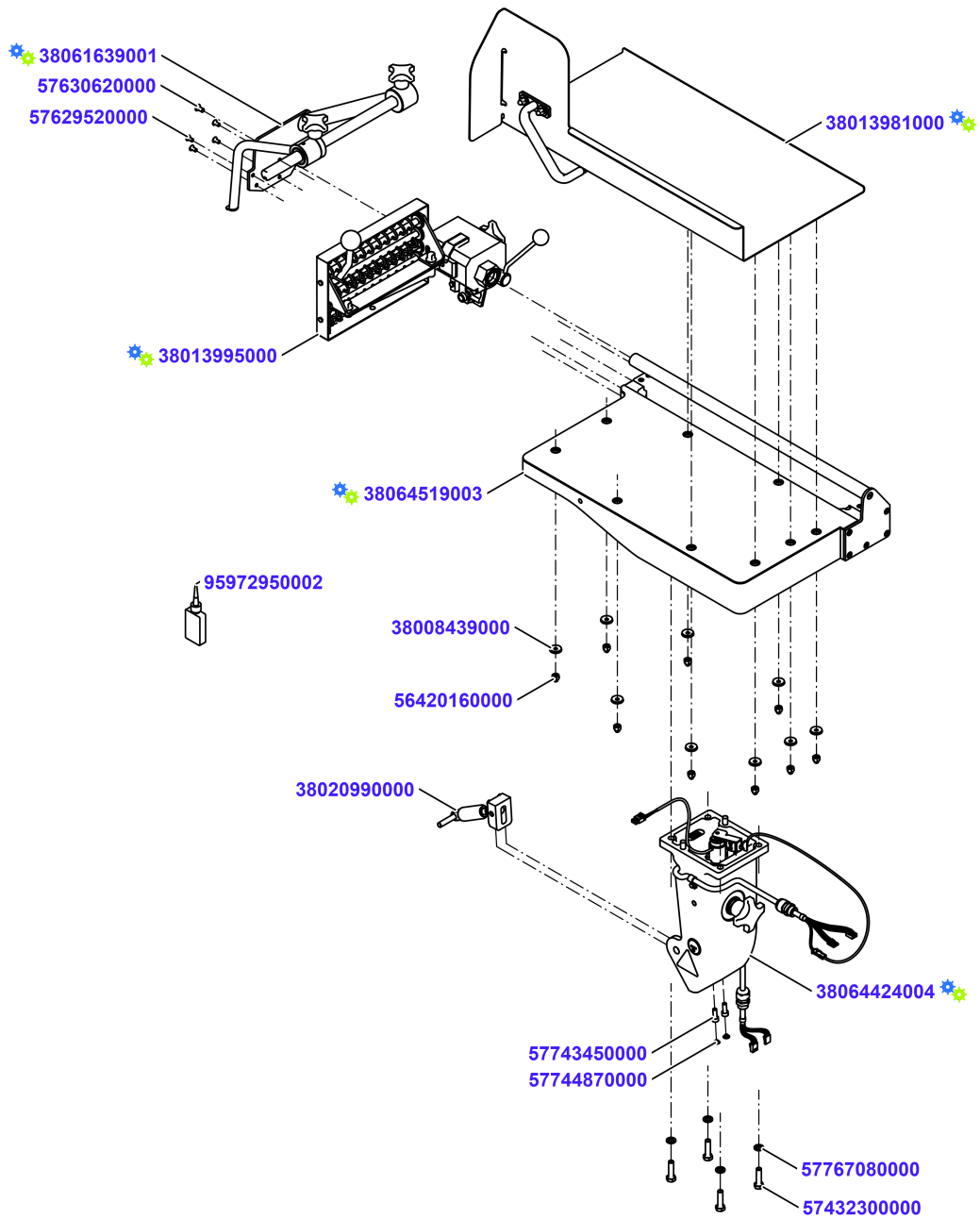
Carriage Foot high cpl



Carriage Foot high cpl

Material No.	Qty	Material description	available for order	Wear part	Recomm. sp. part	Metr. relevance
38060597009	1	Carriage Foot high mach	✓			
56188280000	2	Cylindrical pin EN 22338-8m6x28-A2	✓			
56047810000	1	Set screw DIN551 M8x16-PA 66	✓			
56444800000	1	Hexagon nut DIN439-M8-A2	✓			
38018660001	1	Magnet preass	✓	✓		
38084890000	1	Cap preass	✓			
38055378004	2	Hexagon nut	✓			
95972950002	0,001	Loctite 243 50 ml	✓			
38055365008	1	Interlock	✓			
96055070000	0,001	Grease PARALIQ GA 343	✓			
56984520000	1	Pan head screw DIN923 M5x4A2-70	✓			
71066410000	1	Plug Round M20x1.5	✓			
38014261001	1	Handle preass	✓			
38053929003	1	Stop Bolt	✓			
57750700000	2	Retaining washer DIN6799-7	✓			
71169050000	4	Cable Clamp nylon 7,4mm NK-5N	✓			
38013665005	1	Ka Rd 12x24AWG 0,87m	✓			
57429100000	4	Hexagon screw DIN933 M4x10 A2-70	✓			
51488600000	1	Warning Plate Hand Injury 7.29K	✓			

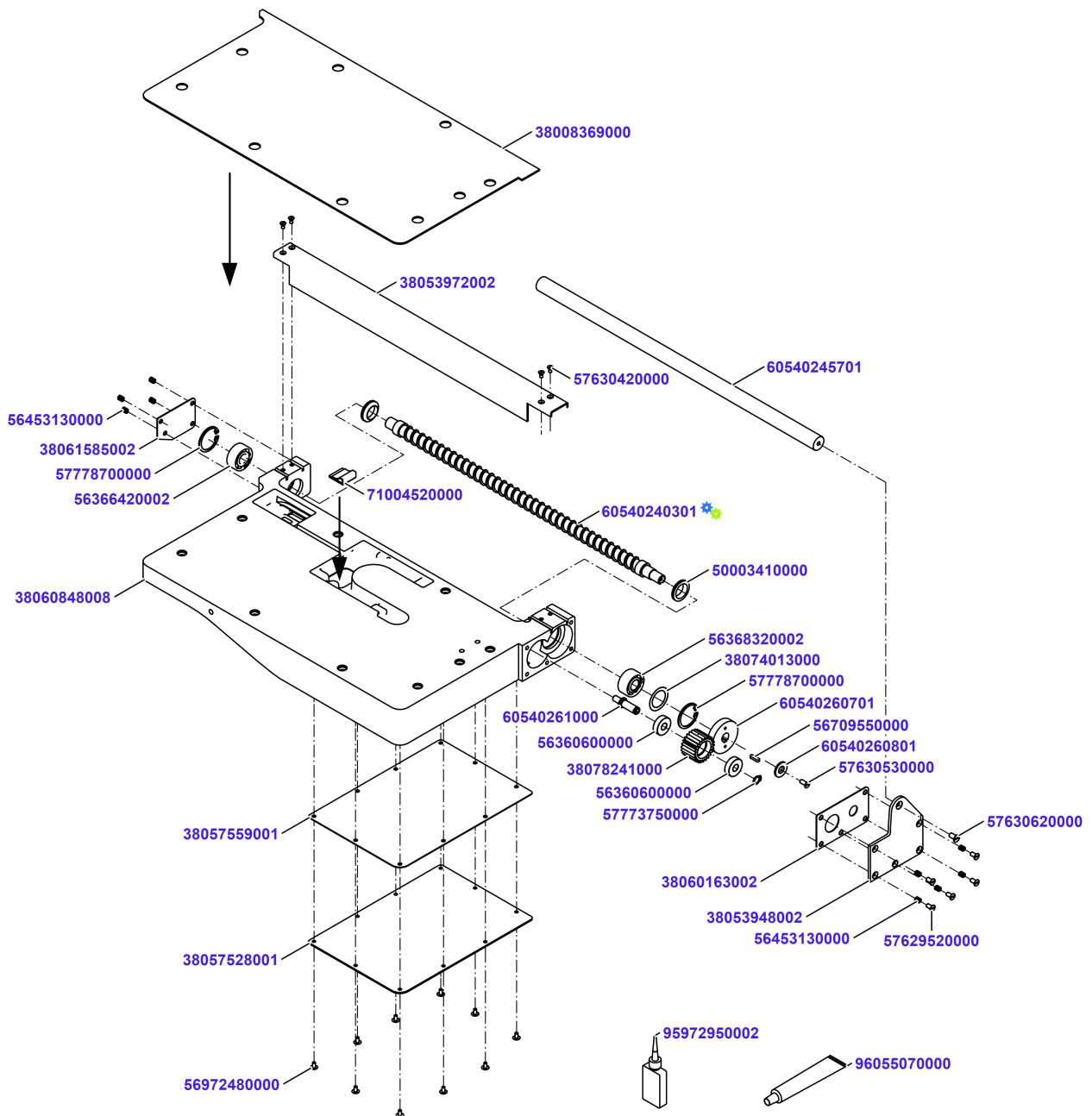
Carriage 400 NSF



Carriage 400 NSF

Material No.	Qty	Material description	available for order	Wear part	Recomm. sp. part	Metr. relevance
38064519003	1	Carriage 400 cpl				
38013981000	1	Carriage Plate 400 preass	✓			
56420160000	9	Cap nut DIN986-M6-A2	✓			
38008439000	9	Sealing washer M6	✓		✓	
38013995000	1	Product Holder non folding NSF cpl				
38061639001	1	Product Supporter top NSF cpl				
57629520000	4	Countersunk screw DIN963 M5x10-A2-70	✓			
95972950002	0,001	Loctite 243 50 ml	✓			
57630620000	1	Countersunk screw DIN963 M6x12-A2-70	✓			
38064424004	1	Carriage Foot high cpl				
57432300000	4	Hexagon screw DIN933 M8x30 A2-70	✓			
57767080000	4	Spring lock washer DIN128-A8-A2	✓			
38020990000	1	Gas Spring Carriage 400 cpl	✓		✓	
57743450000	2	Cylinder screw DIN912 M6x16-A2-70	✓			
57744870000	2	Protective plug 10x5,2x3,1-PE	✓		✓	

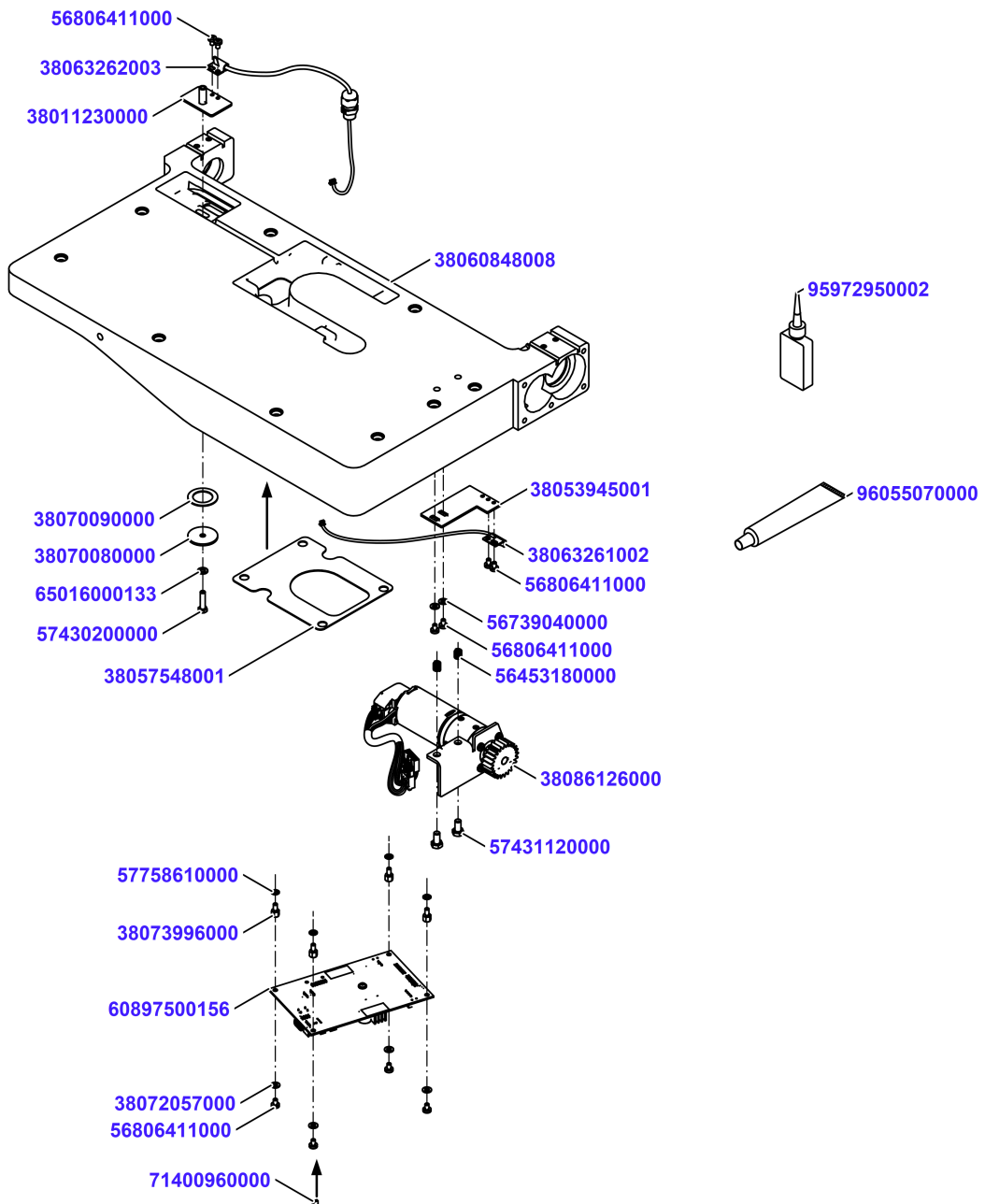
Carriage 400 cpl



Carriage 400 cpl

Material No.	Qty	Material description	available for order	Wear part	Recomm. sp. part	Metr. relevance
38060848008	1	Carriage 400 Cast machined	✓			
56453130000	9	Thread insert M5x7,5-A2	✓			
56366420002	1	Self-Aligning Ball Bearing 2202	✓			
57778700000	1	Retaining ring DIN472-35x1,5	✓			
50003410000	1	Wiper ring 30x20x7	✓			
60540240301	1	Feed Spindle ass.	✓			
50003410000	1	Wiper ring 30x20x7	✓			
56368320002	1	Angular bearing double-row 15x35x15,9	✓			
57778700000	1	Retaining ring DIN472-35x1,5	✓			
38074013000	1	Shim ring DIN988-25x35x0,1	✓			
60540260701	1	Gear Wheel	✓			
96055070000	0,001	Grease PARALIQ GA 343	✓			
56709550000	1	Parallel key DIN6885-A 5x3x16	✓			
60540260801	1	Washer	✓			
57630530000	1	Countersunk screw DIN963 M5x12-A2-70	✓			
95972950002	0,001	Loctite 243 50 ml	✓			
60540261000	1	bolt	✓			
38078241000	1	Gear Wheel	✓			
56360600000	2	Grooved ball bearing DIN625 10x26x8	✓			
57773750000	1	Retaining ring DIN471-10x1	✓			
38053972002	1	Guide Rail 400er	✓			
57630420000	4	Countersunk screw DIN963 M4x8-A2-70	✓			
71004520000	1	Flat Cabel Holder 3484-1000	✓			
38053948002	1	Flange	✓			
38060163002	1	Sealing	✓		✓	
57629520000	5	Countersunk screw DIN963 M5x10-A2-70	✓			
38061585002	1	sealing	✓		✓	
60540245701	1	guide shaft	✓			
57630620000	1	Countersunk screw DIN963 M6x12-A2-70	✓			
38008369000	1	Seal Carriage Plate 521x260x2	✓		✓	
38057528001	1	Cover 255,4x177,4x2	✓			
38057559001	1	Seal Cover	✓		✓	
56972480000	10	Mushroom head screw M4x8-A2-70 Tuflok	✓			

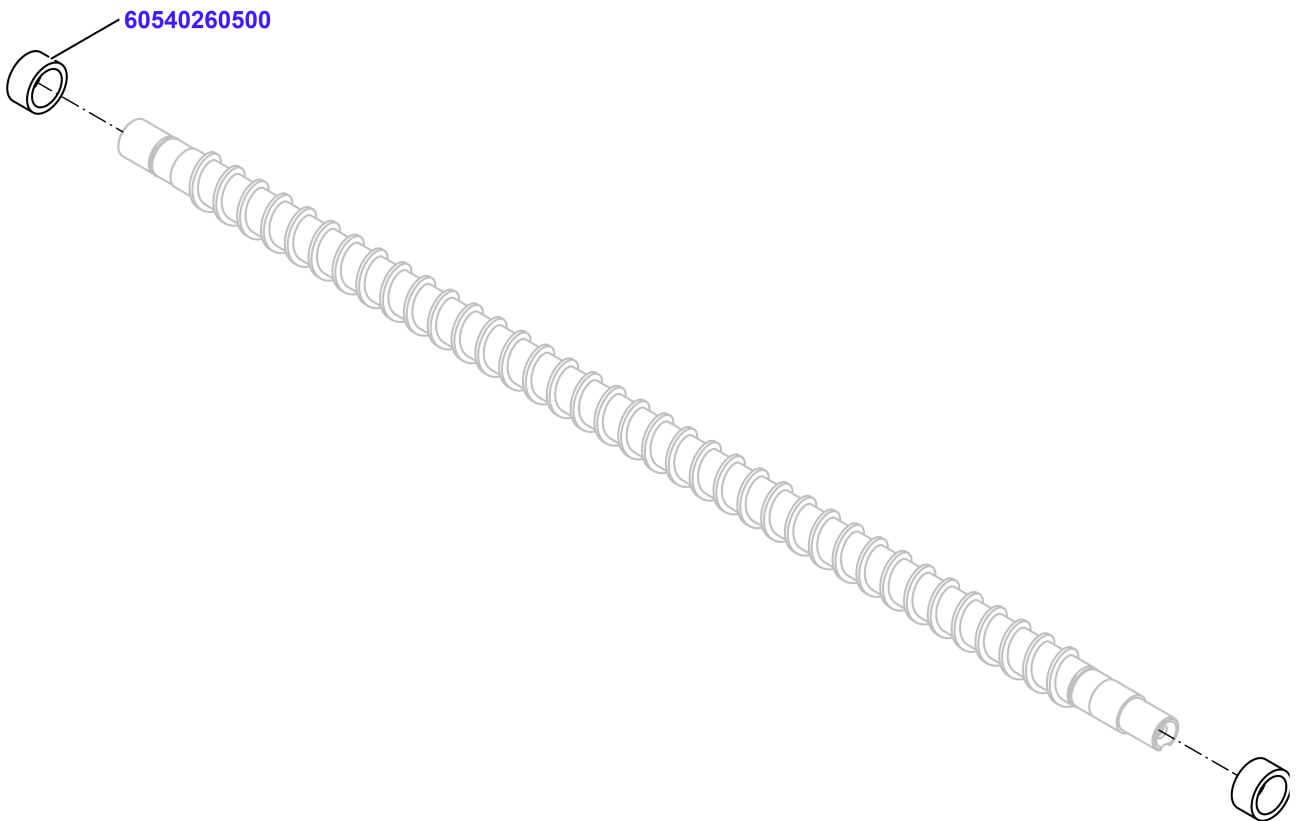
Carriage 400 cpl



Carriage 400 cpl


Material No.	Qty	Material description	available for order	Wear part	Recomm. sp. part	Metr. relevance
38060848008	1	Carriage 400 Cast machined	✓			
56453180000	2	Threaded insert M6x9	✓			
96055070000	0,001	Grease PARALIQ GA 343	✓			
95972950002	0,001	Loctite 243 50 ml	✓			
38053945001	1	Board	✓			
38063261002	1	Sensor product feeding 1 VSI	✓			
56806411000	4	Oval-head screw ISO14583 M4x6-A2-70-T20	✓			
56739040000	2	Washer DIN125-A 4.3-A2-70	✓			
38011230000	1	Board cpl	✓			
38063262003	1	Sensor product feeding 2 VSI	✓			
56806411000	2	Oval-head screw ISO14583 M4x6-A2-70-T20	✓			
38070080000	1	Washer	✓			
38070090000	1	Sealing	✓		✓	
57430200000	1	Hexagon screw DIN933 M5x20 A2-70	✓			
65016000133	1	Washer 5-PA	✓			
38086126000	1	Motor Product Feeding BG42x15 cpl	✓			
57431120000	2	Hexagon screw DIN933 M6x12 A2-70	✓			
60897500156	1	Bootl.+ PCBA MC 3ph 2ch lv bus	✓			
71400960000	1	Short Circuit Bracket 3131 731000406	✓		✓	
57758610000	4	Toothed washer DIN6797-A 4,3-Fst	✓			
38073996000	4	Distance bolt SW7x6 M4-M4 In-Out	✓			
56806411000	4	Oval-head screw ISO14583 M4x6-A2-70-T20	✓			
38072057000	4	Washer DIN125-A-4-PA6	✓			
38057548001	1	Seal	✓		✓	

Feed Spindle ass.

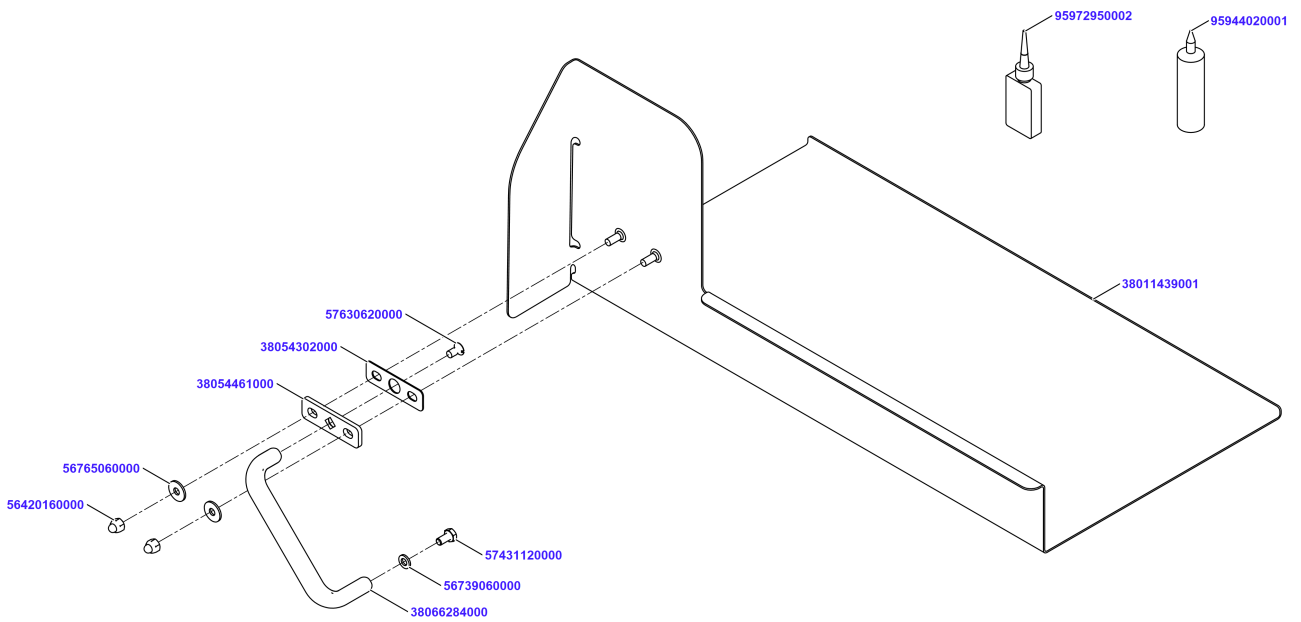


Feed Spindle ass.

Material No.	Qty	Material description
60540260500	2	ring

	available for order	Wear part	Recomm. sp. part	Metr. relevance
---	---------------------	-----------	------------------	-----------------

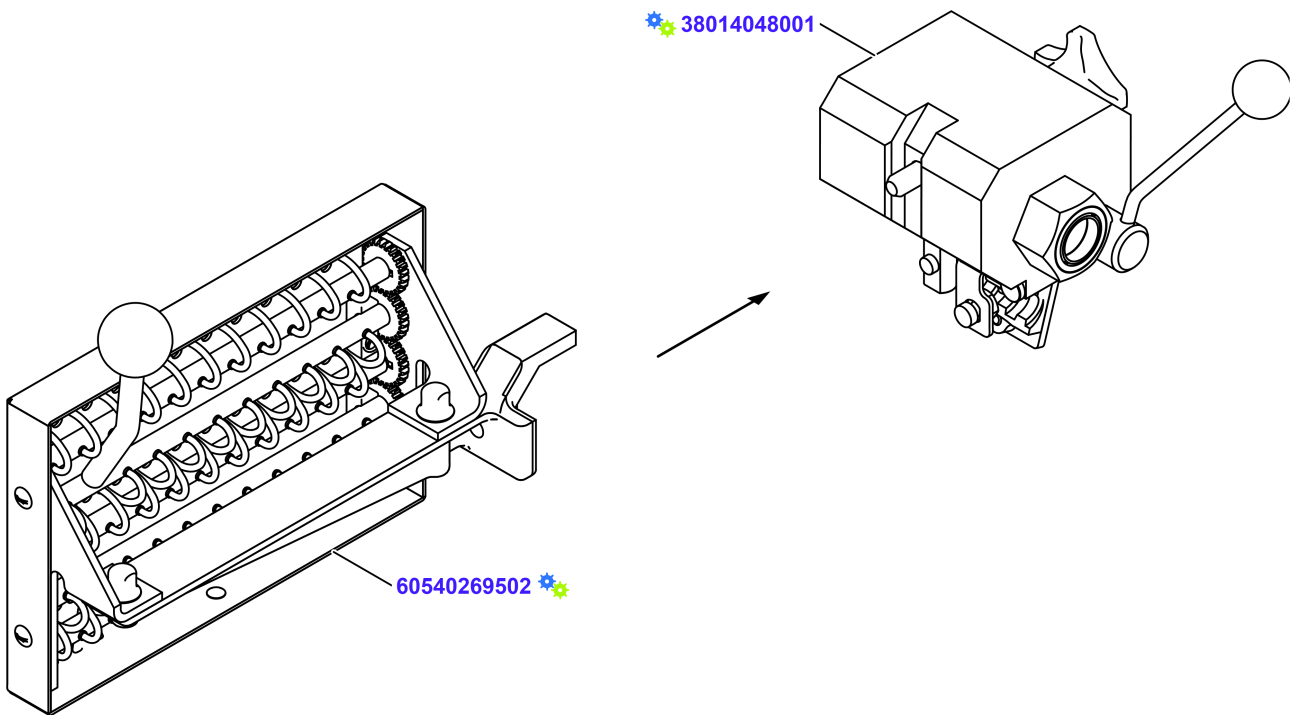
Carriage Plate 400 preass



Carriage Plate 400 preass

Material No.	Qty	Material description	available for order	Wear part	Recomm. sp. part	Metr. relevance
38011439001	1	Carriage Plate welded	✓			
38066284000	1	Handle	✓			
38054461000	1	Plate	✓			
38054302000	1	Gasket	✓		✓	
95944020001	10	Silicone Rubber Elastosil E41 90ml	✓			
57630620000	1	Countersunk screw DIN963 M6x12-A2-70	✓			
95972950002	0,001	Loctite 243 50 ml	✓			
56420160000	2	Cap nut DIN986-M6-A2	✓			
56765060000	2	Washer DIN9021-6-A2	✓			
57431120000	1	Hexagon screw DIN933 M6x12 A2-70	✓			
56739060000	1	Washer DIN125-A-6-A2	✓			

Product Holder non folding NSF cpl

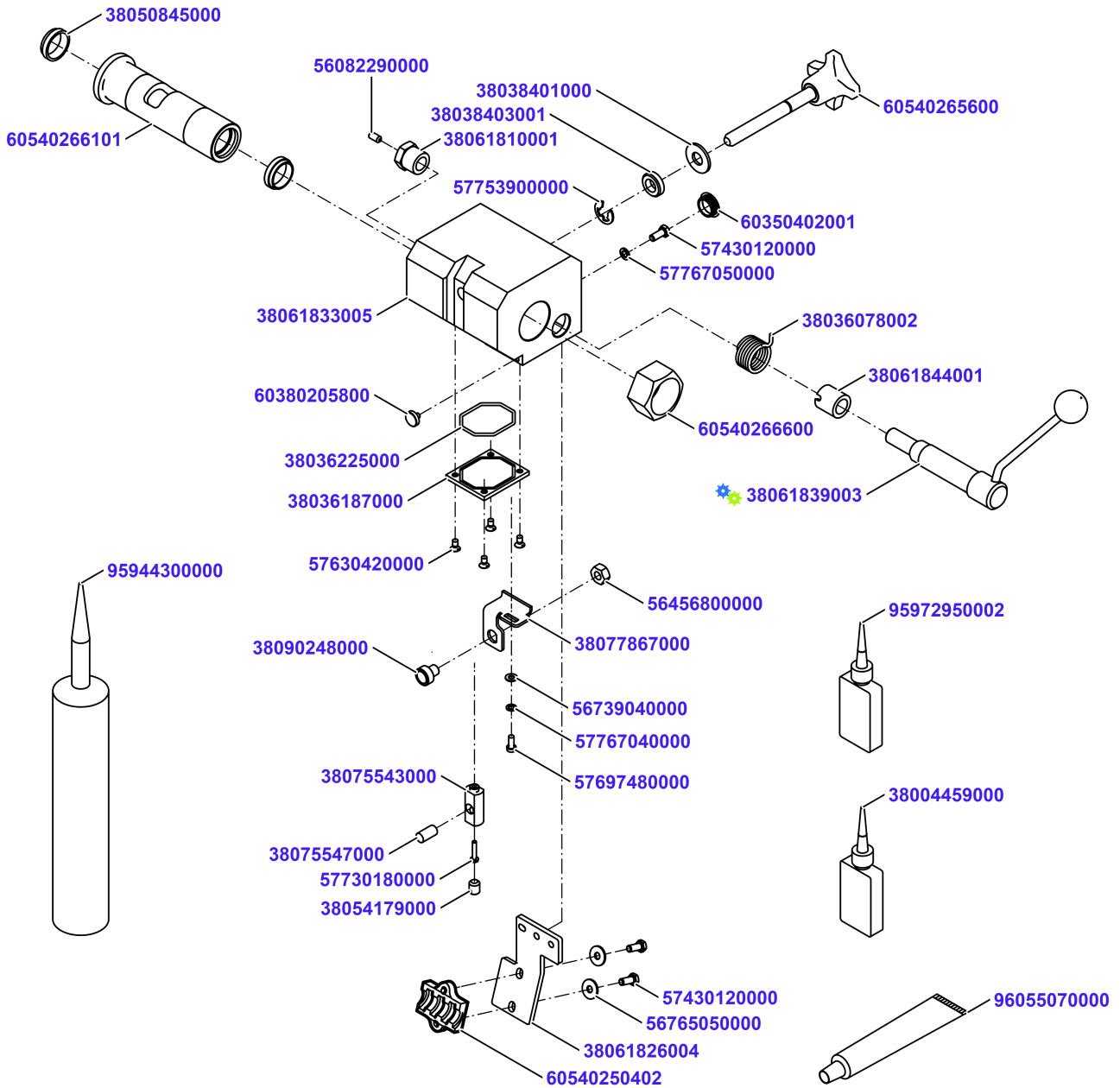


Product Holder non folding NSF cpl

Material No.	Qty	Material description
38014048001	1	Product Holder Guide NSF cpl
60540269502	1	Product holder ass.

available for order
Wear part
Recomm. sp. part
Metr. relevance

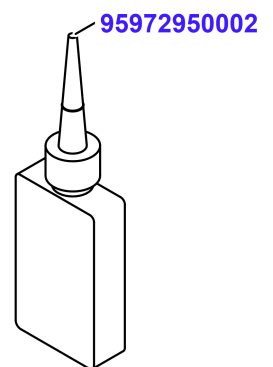
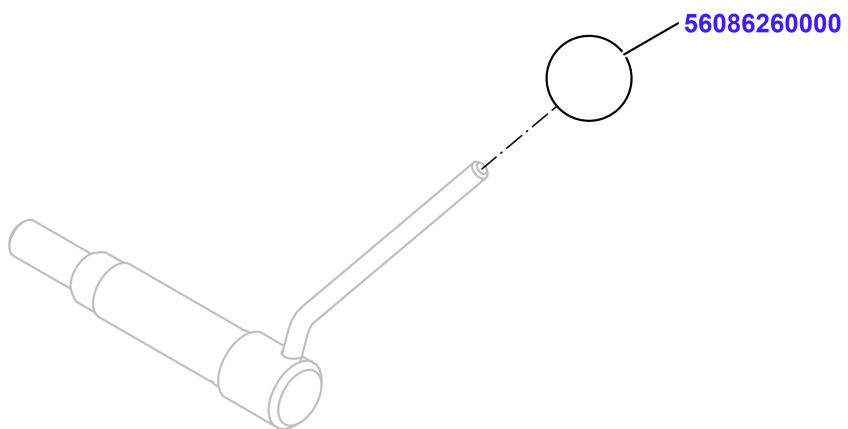
Product Holder Guide NSF cpl



Product Holder Guide NSF cpl

Material No.	Qty	Material description	available for order	Wear part	Recomm. sp. part	Metr. relevance
38061833005	1	Product Holder Guide	✓			
60540265600	1	locking lever mount.	✓			
38038401000	1	washer	✓			
38038403001	1	Bushing 19,1x10,7x5	✓			
57753900000	1	Retaining washer DIN6799-9	✓			
60540266101	1	Bushing complete	✓	✓	✓	
38050845000	2	Deflector Ring	✓			
60540266600	1	hex nut	✓			
38061839003	1	Bolt NSF cpl	✓			
38061844001	1	Sleeve	✓			
38036078002	1	torsion spring left	✓			
96055070000	0,005	Grease PARALIQ GA 343	✓			
38061810001	1	Screw Nut	✓			
38004459000	0,001	Loctite 648	✓			
56082290000	1	Set screw DIN438 M5x10-A2-70	✓			
95972950002	0,001	Loctite 243 50 ml	✓			
38061826004	1	Holder	✓			
60540250402	1	Nut Plate	✓	✓	✓	
56765050000	2	Washer DIN9021-5-A2	✓			
57767050000	1	Spring lock washer DIN128-A5-FSt	✓			
57430120000	3	Hexagon screw DIN933 M5x12 A2-70	✓			
60350402001	1	Protective plug	✓			
95944300000	1	Kitchen silicone ELASTO4710	✓			
38036187000	1	cover	✓			
38036225000	1	seal	✓		✓	
57630420000	4	Countersunk screw DIN963 M4x8-A2-70	✓			
38077867000	1	Magnet Base	✓			
38090248000	1	Magnet Vacodym 370 wz round 10x4 preass	✓		✓	
56456800000	1	Hexagon nut DIN934-M8-A2	✓			
57697480000	1	Cylinder screw DIN84 M4x10-A2-70	✓			
56739040000	1	Washer DIN125-A 4.3-A2-70	✓			
57767040000	1	Spring lock washer DIN128-A4-FSt	✓			
38075543000	1	Mounting Pin	✓			
57730180000	1	Oval-head screw ISO14583 M3x16-A2-70-T10	✓			
38075547000	1	Parallel Pin 8x15	✓			
38054179000	1	Set screw DIN438 M8x10-A2-70	✓			
60380205800	1	SLIDE PIN	✓			

Bolt NSF cpl

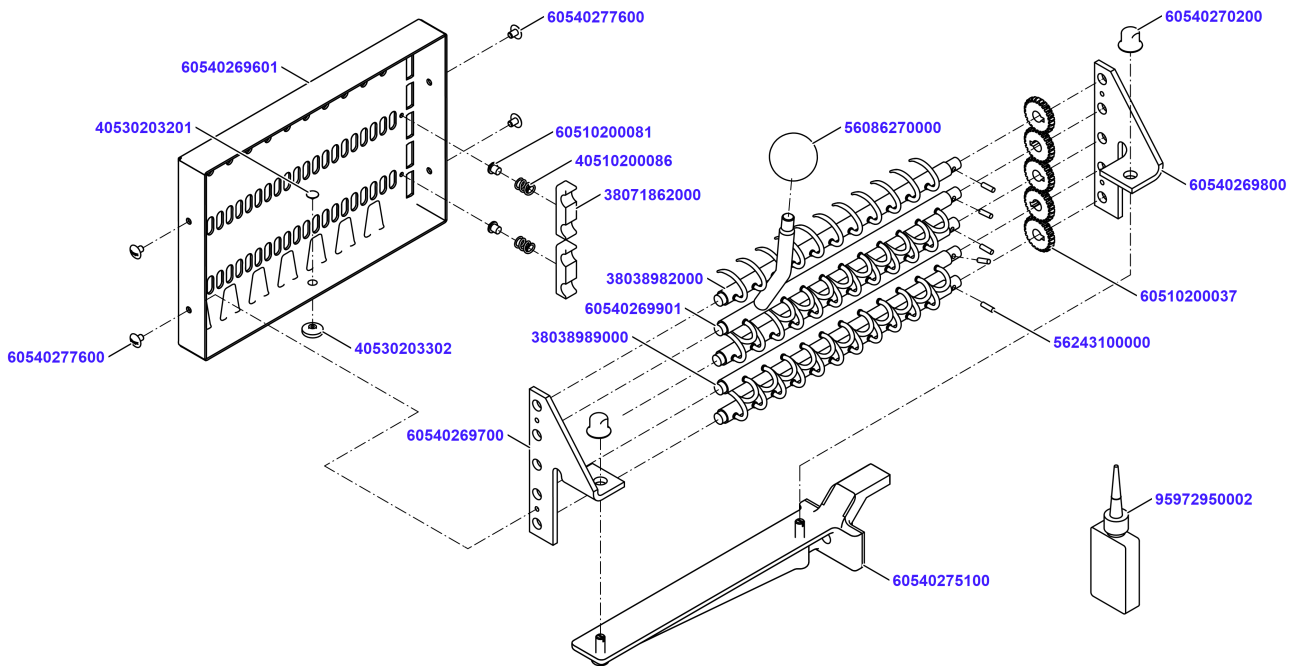


Bolt NSF cpl

Material No.	Qty	Material description
56086260000	1	Ball knob DIN319 M6x25 I
95972950002	0,001	Loctite 243 50 ml

available for order
Wear part
Recomm. sp. part
Metr. relevance

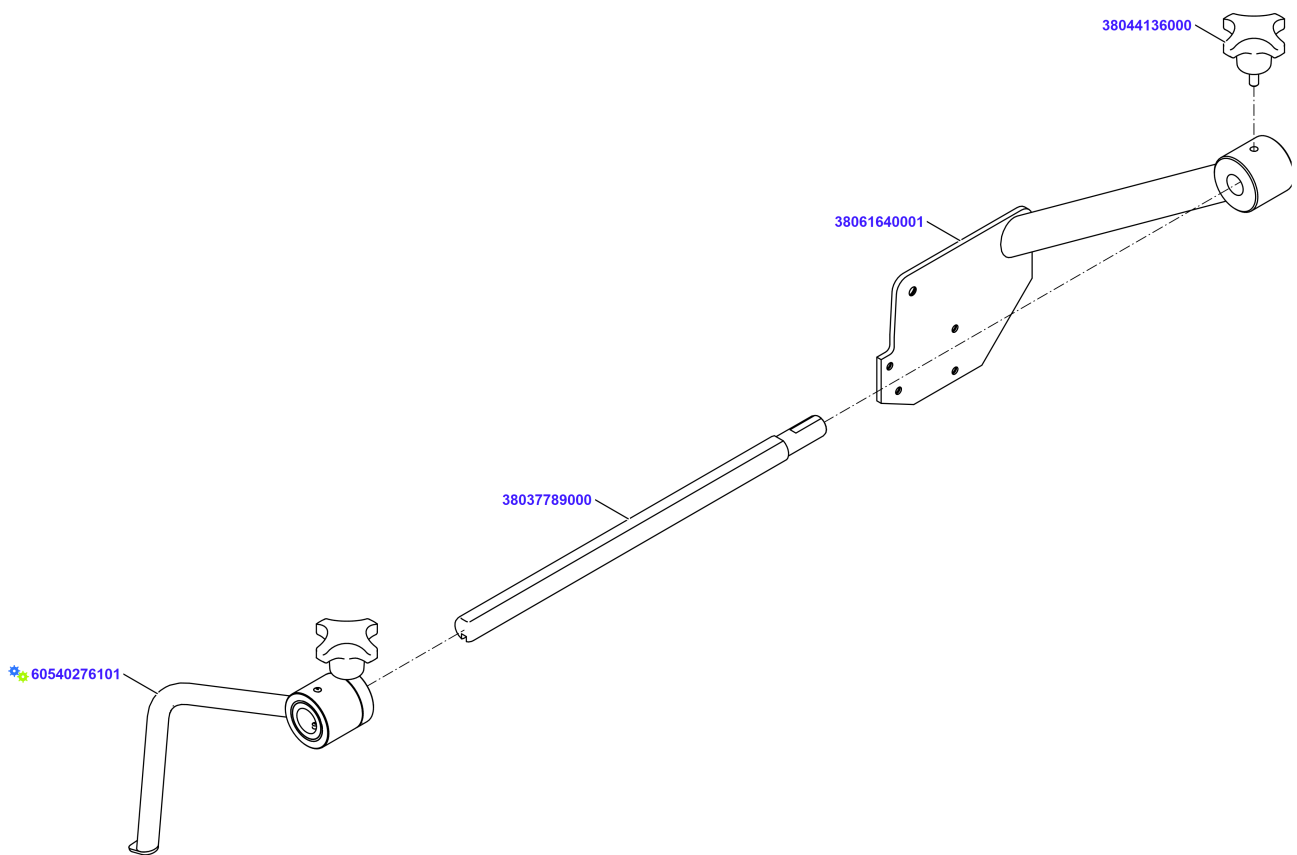
Product holder ass.



Product holder ass.

Material No.	Qty	Material description	available for order	Wear part	Recomm. sp. part	Metr. relevance
60540269601	1	product holder	✓			
60510200081	2	collar stud	✓			
60540269700	1	Side frame left	✓			
60540269800	1	Side frame right	✓			
38038982000	3	Gripper Shaft cpl.	✓			
38038989000	1	Gripper Shaft cpl.	✓			
60540269901	1	Gripper Shaft cpl	✓			
56086270000	1	Ball knob DIN319 M8x32 I	✓			
56243100000	5	Cylindrical pin EN 22338-3h11x10-A2	✓			
60510200037	5	Pinion	✓			
40510200086	2	Pressure spring	✓			
38071862000	2	brake pad	✓			
60540277600	4	self-tapping screw	✓			
60540275100	1	Holder preass.	✓			
60540270200	2	cap nut	✓		✓	
95972950002	0,001	Loctite 243 50 ml	✓			
40530203201	1	push button	✓			
40530203302	1	sliding piece	✓		✓	

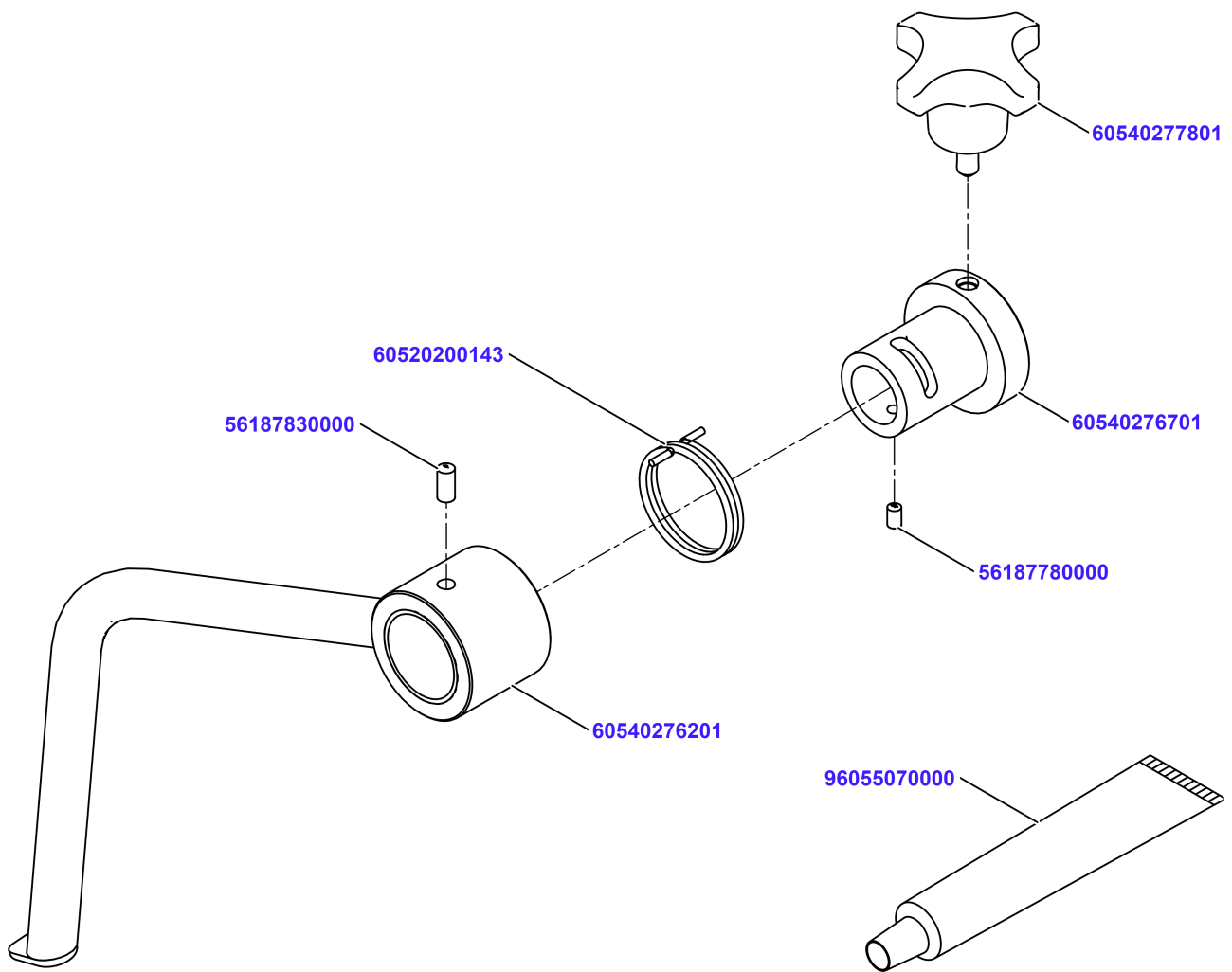
Product Supporter top NSF cpl










Product Supporter top NSF cpl

Material No.	Qty	Material description	available for order	Wear part	Recomm. sp. part	Metr. relevance
38061640001	1	Mounting welded	✓			
38037789000	1	shaft	✓			
60540276101	1	HOULDING DOWN DEVICE ASS.	✓			
38044136000	1	LOCKING SCREW	✓			

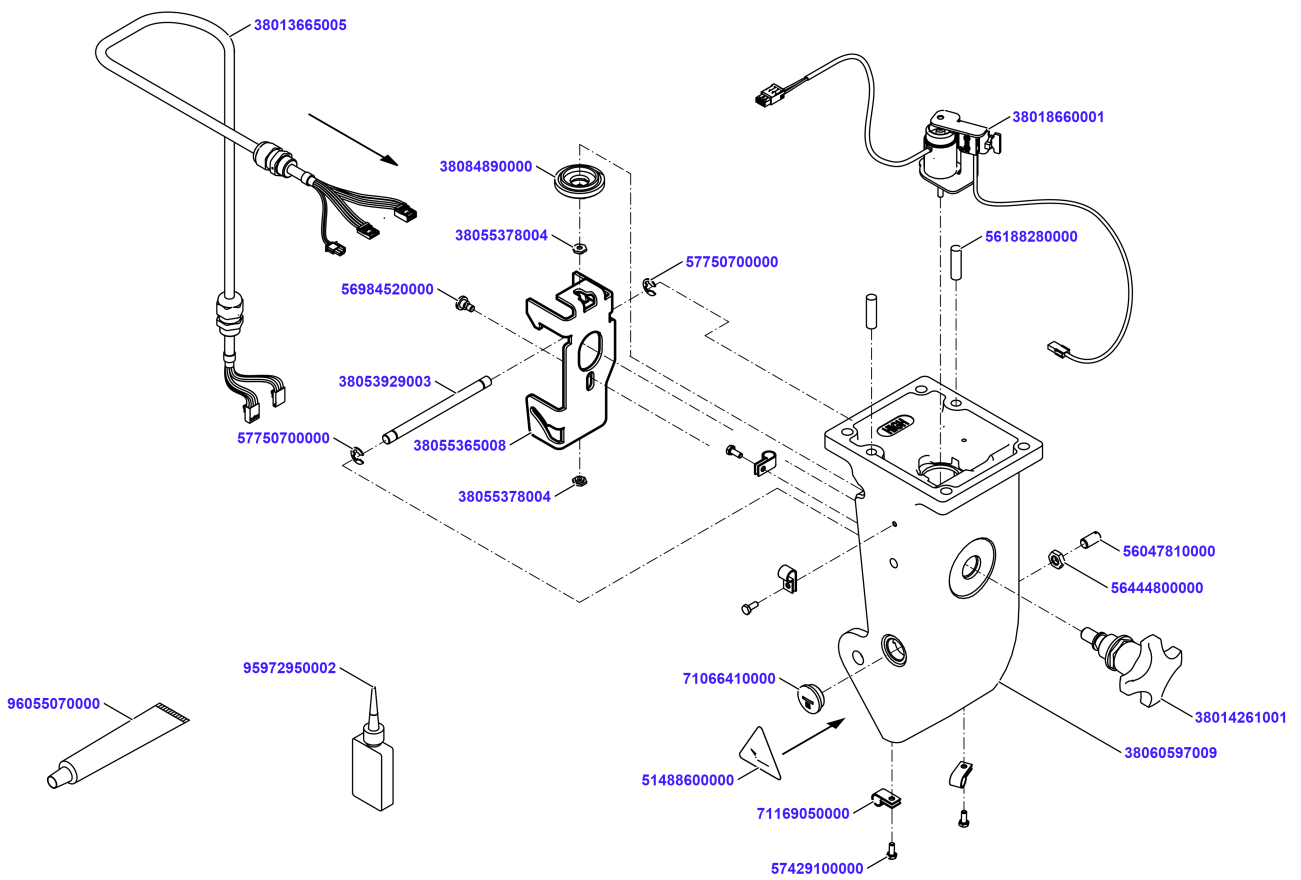
HOULDING DOWN DEVICE ASS.



HOULDING DOWN DEVICE ASS.

Material No.	Qty	Material description	available for order	Wear part	Recomm. sp. part	Metr. relevance
60540276201	1	Holding Down Device preass.				
60540276701	1	hub				
60540277801	1	LOCKING SCREW				
60520200143	1	torsion spring				
56187830000	1	Cylindrical pin EN 22338-5m6x10-A2				
96055070000	0,005	Grease PARALIQ GA 343				
56187780000	1	Cylindrical pin EN 22338-4m6x6-A2				

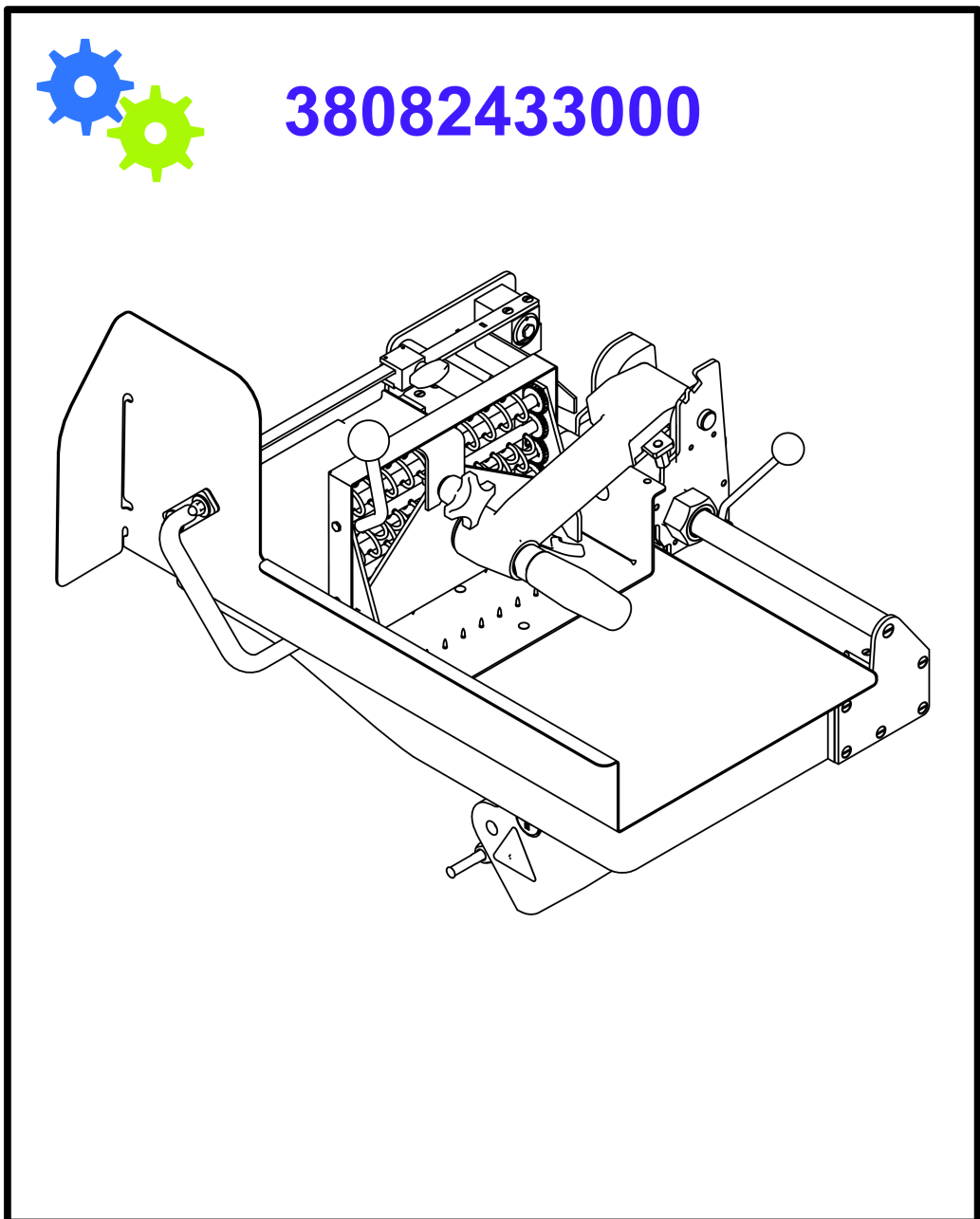
Carriage Foot high cpl



Carriage Foot high cpl

Material No.	Qty	Material description	available for order	Wear part	Recomm. sp. part	Metr. relevance
38060597009	1	Carriage Foot high mach	✓			
56188280000	2	Cylindrical pin EN 22338-8m6x28-A2	✓			
56047810000	1	Set screw DIN551 M8x16-PA 66	✓			
56444800000	1	Hexagon nut DIN439-M8-A2	✓			
38018660001	1	Magnet preass	✓	✓		
38084890000	1	Cap preass	✓			
38055378004	2	Hexagon nut	✓			
95972950002	0,001	Loctite 243 50 ml	✓			
38055365008	1	Interlock	✓			
96055070000	0,001	Grease PARALIQ GA 343	✓			
56984520000	1	Pan head screw DIN923 M5x4A2-70	✓			
71066410000	1	Plug Round M20x1.5	✓			
38014261001	1	Handle preass	✓			
38053929003	1	Stop Bolt	✓			
57750700000	2	Retaining washer DIN6799-7	✓			
71169050000	4	Cable Clamp nylon 7,4mm NK-5N	✓			
38013665005	1	Ka Rd 12x24AWG 0,87m	✓			
57429100000	4	Hexagon screw DIN933 M4x10 A2-70	✓			
51488600000	1	Warning Plate Hand Injury 7.29K	✓			

Carriage stroke 270mm as from 11540650



Carriage stroke 270mm as from 11540650

Material No.	Qty	Material description
38082433000	1	Carriage 400 with Peaks

available for order

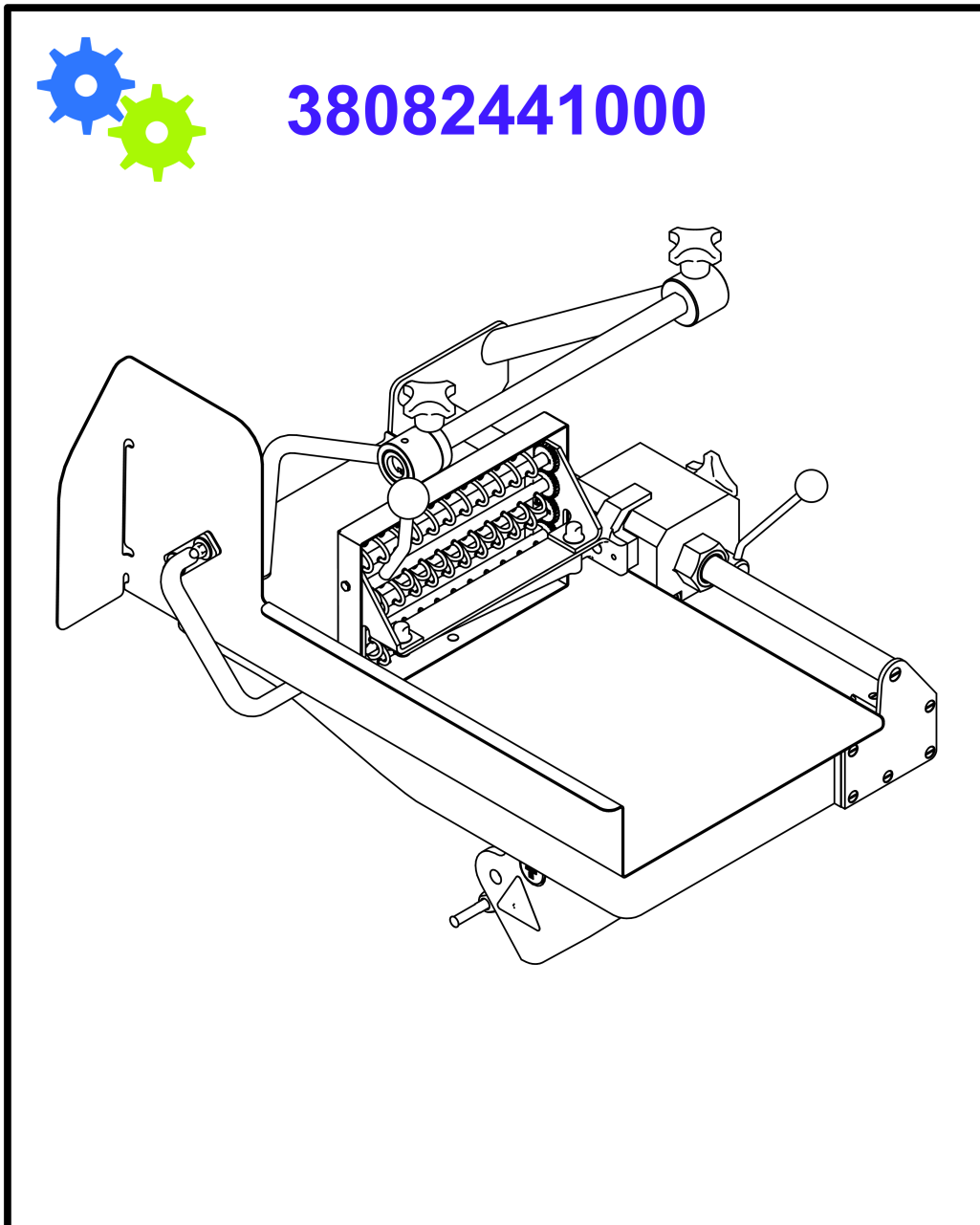
Wear part

Recomm. sp. part

Metr. relevance



Carriage stroke 270mm as from 11540650



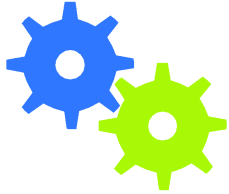
Carriage stroke 270mm as from 11540650

Material No. **Qty** **Material description**

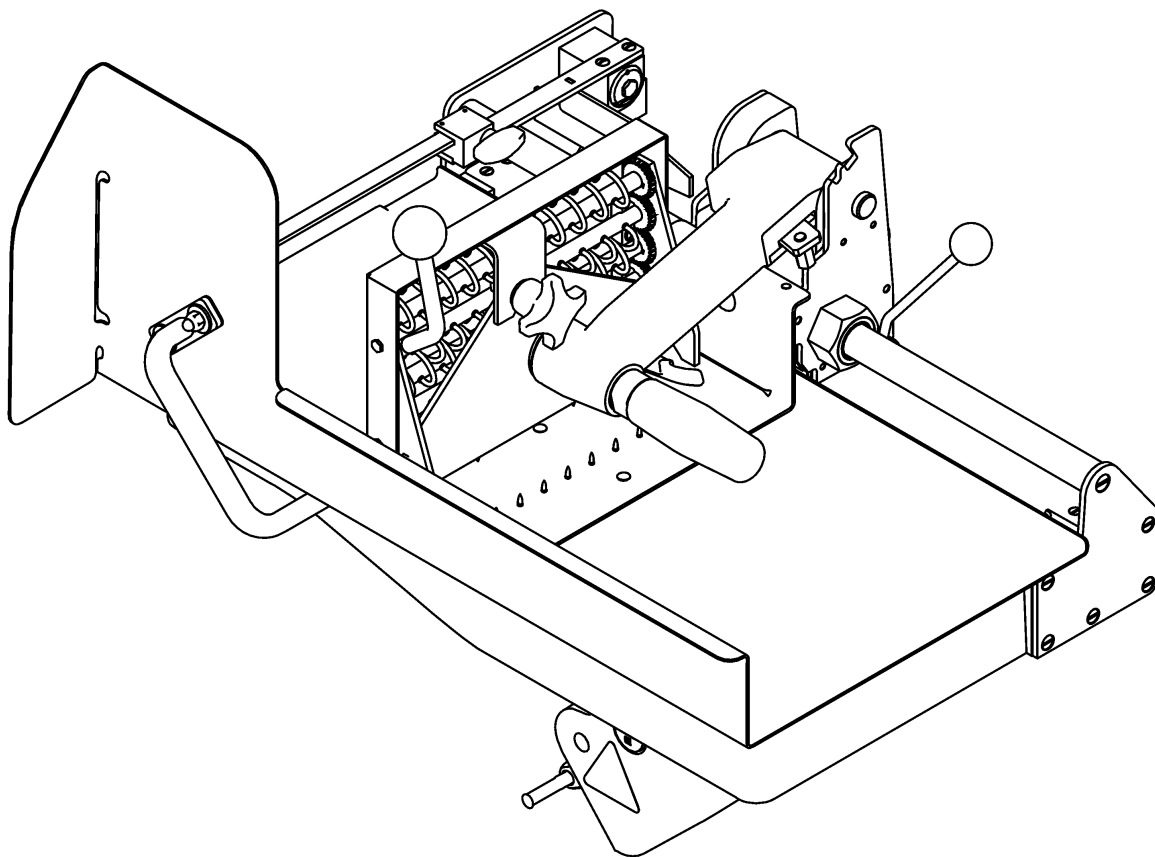
38082441000 1 Carriage 400 NSF

available for order
Wear part
Recomm. sp. part
Metr. relevance

Carriage stroke 270mm as from 11540650



38116888001



Carriage stroke 270mm as from 11540650

Material No.	Qty	Material description
38116888001	1	Carriage 400 with Peaks

available for order

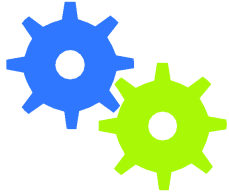
Wear part

Recomm. sp. part

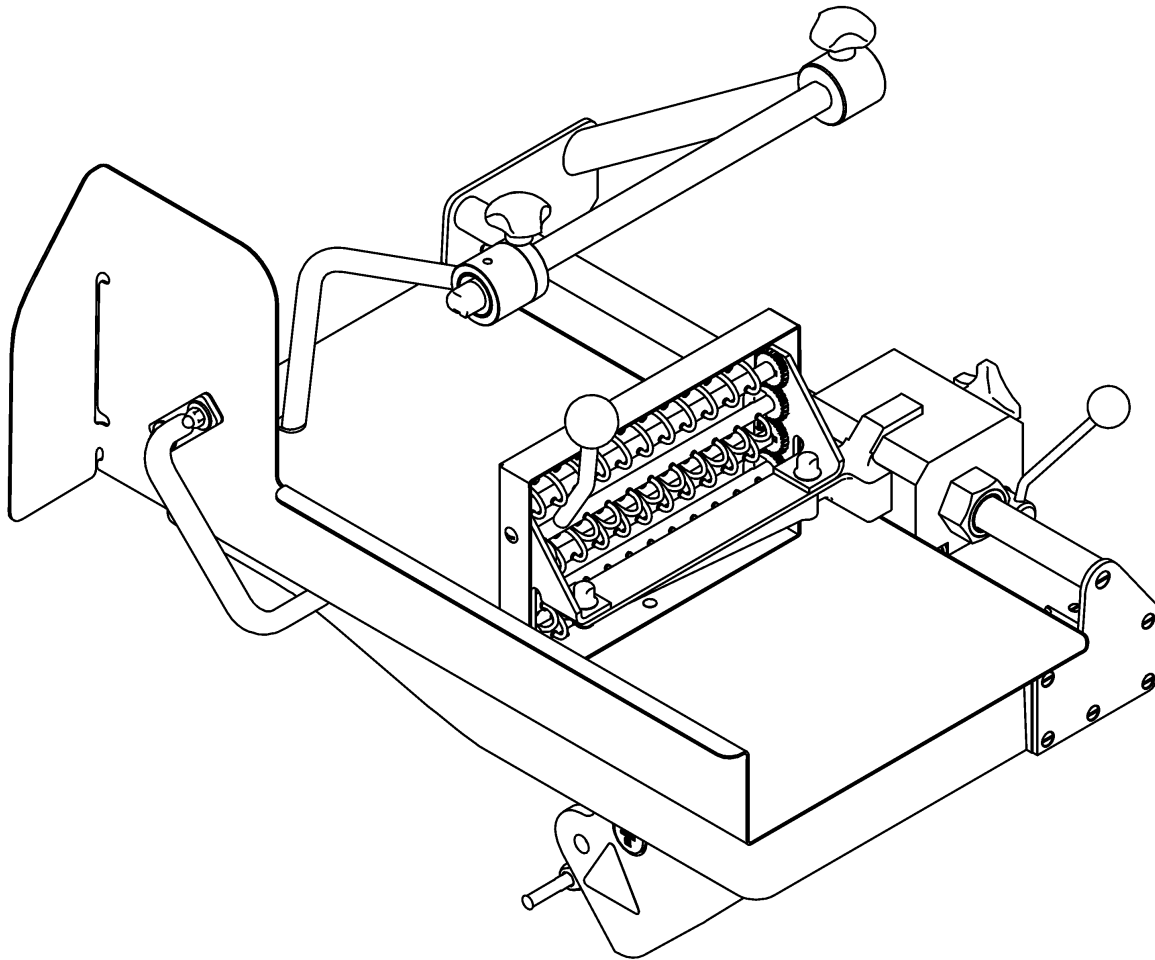
Metr. relevance



Carriage stroke 270mm as from 11540650



38116978001

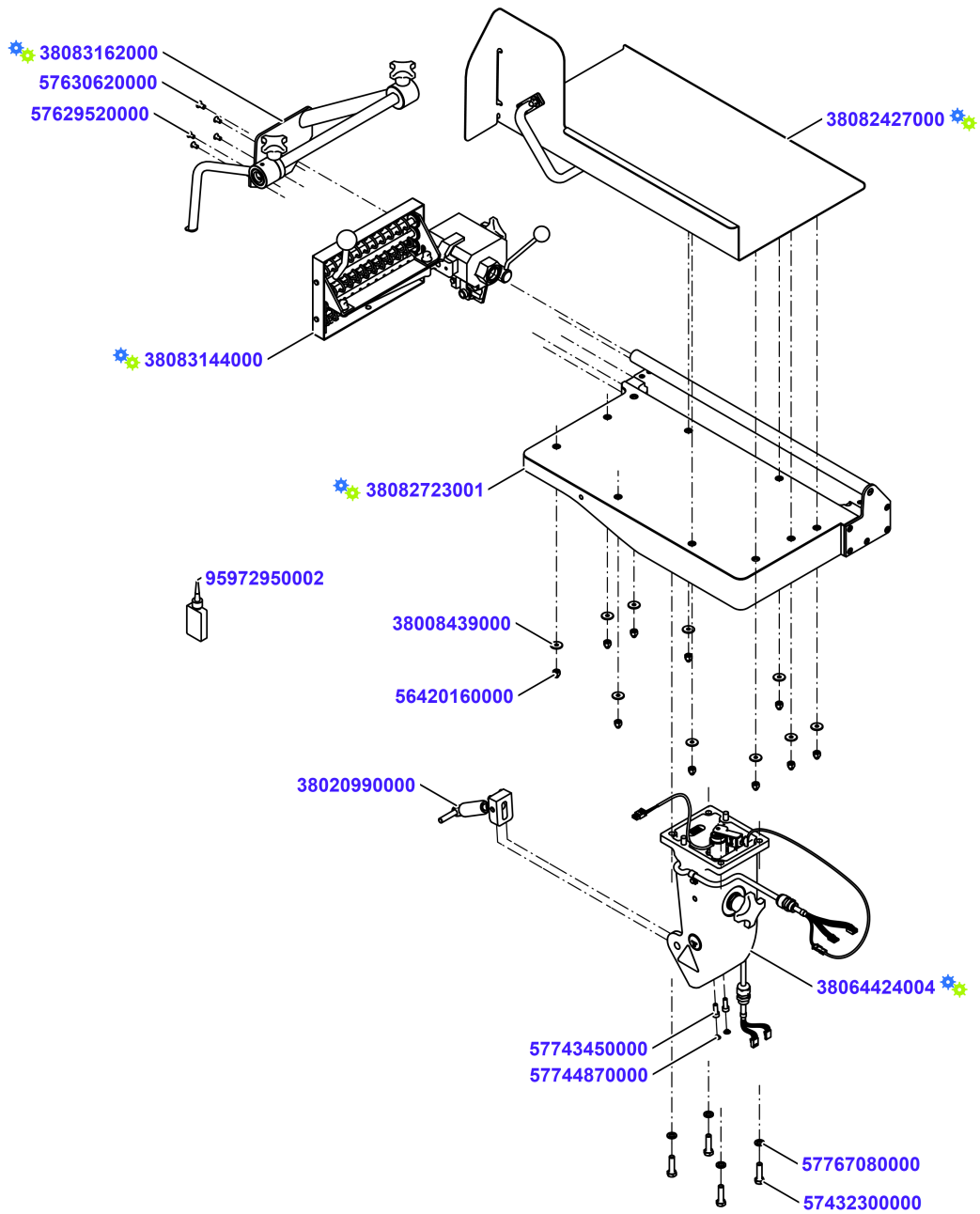


Carriage stroke 270mm as from 11540650

available for order
Wear part
Recomm. sp. part
Metr. relevance

Material No.	Qty	Material description
38116978001	1	Carriage 400 NSF

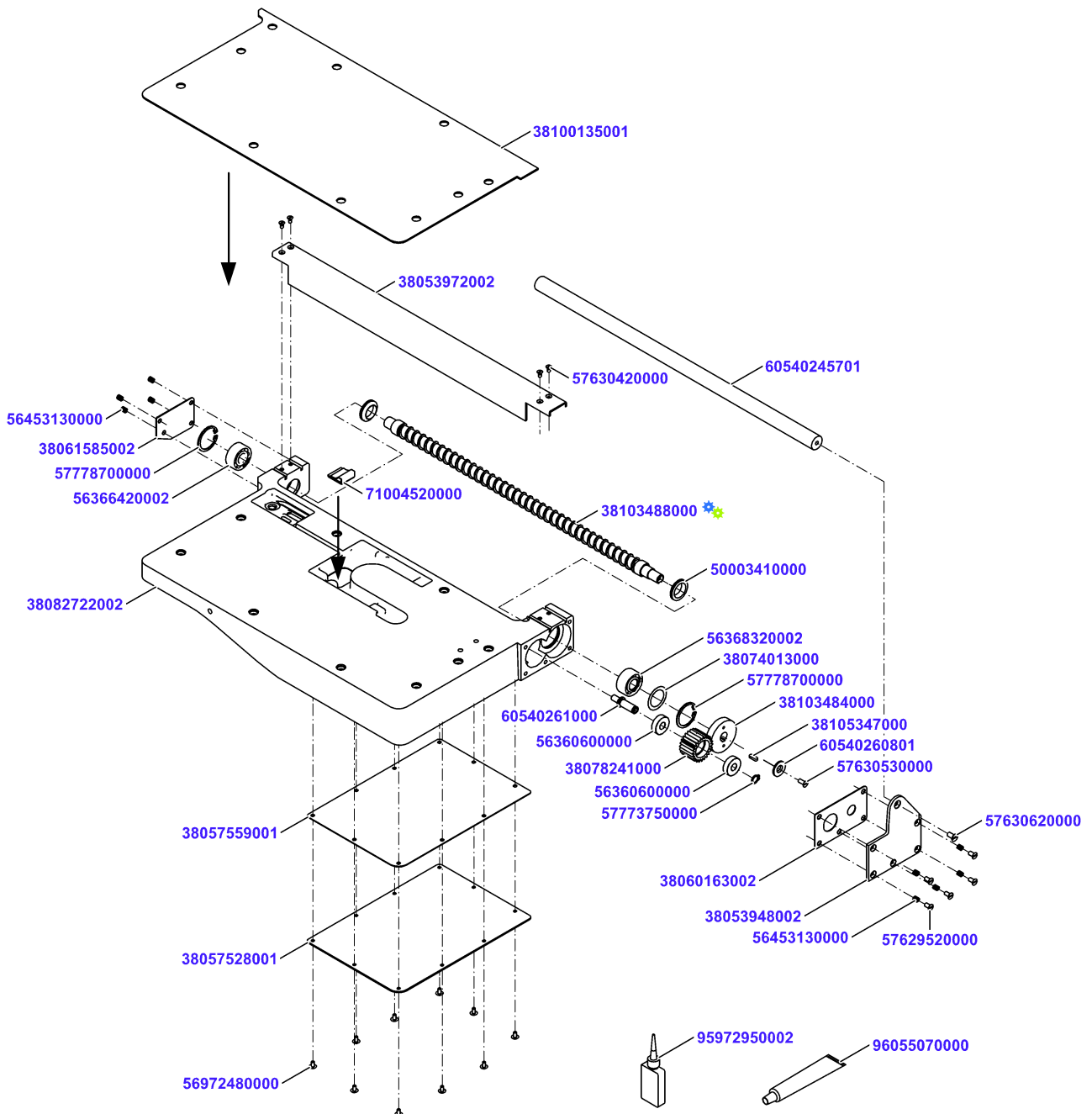
Carriage 400 NSF



Carriage 400 NSF

Material No.	Qty	Material description	available for order	Wear part	Recomm. sp. part	Metr. relevance
38082723001	1	Carriage 400 cpl				
38082427000	1	Carriage Plate 400 preass	✓			
56420160000	10	Cap nut DIN986-M6-A2	✓			
38008439000	10	Sealing washer M6	✓		✓	
38083144000	1	Product Holder non folding NSF cpl				
38083162000	1	Product Supporter top NSF cpl				
57629520000	4	Countersunk screw DIN963 M5x10-A2-70	✓			
95972950002	0,001	Loctite 243 50 ml	✓			
57630620000	1	Countersunk screw DIN963 M6x12-A2-70	✓			
38064424004	1	Carriage Foot high cpl				
57432300000	4	Hexagon screw DIN933 M8x30 A2-70	✓			
57767080000	4	Spring lock washer DIN128-A8-A2	✓			
38020990000	1	Gas Spring Carriage 400 cpl	✓		✓	
57743450000	2	Cylinder screw DIN912 M6x16-A2-70	✓			
57744870000	2	Protective plug 10x5,2x3,1-PE	✓		✓	

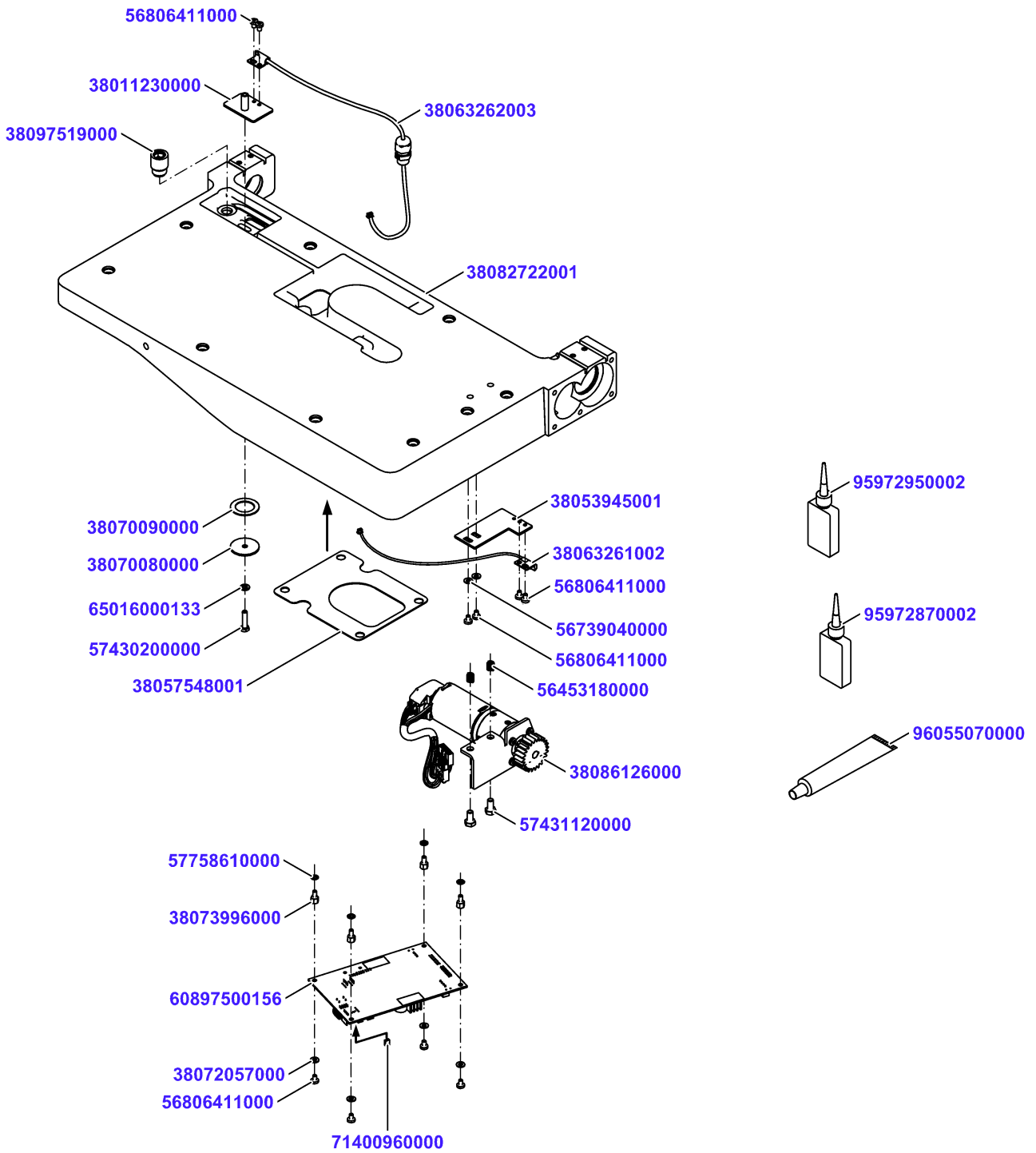
Carriage 400 cpl



Carriage 400 cpl

Material No.	Qty	Material description	available for order	Wear part	Recomm. sp. part	Metr. relevance
38082722002	1	Carriage 400 Cast machined	✓			
56453130000	9	Thread insert M5x7,5-A2	✓			
56366420002	1	Self-Aligning Ball Bearing 2202	✓			
57778700000	1	Retaining ring DIN472-35x1,5	✓			
50003410000	1	Wiper ring 30x20x7	✓			
38103488000	1	feed spindle ass.	✓			
50003410000	1	Wiper ring 30x20x7	✓			
56368320002	1	Angular bearing double-row 15x35x15,9	✓			
57778700000	1	Retaining ring DIN472-35x1,5	✓			
38074013000	1	Shim ring DIN988-25x35x0,1	✓			
38103484000	1	Gear Wheel	✓			
96055070000	0,001	Grease PARALIQ GA 343	✓			
38105347000	1	Parallel key DIN6885-A 5x3x14	✓			
60540260801	1	Washer	✓			
57630530000	1	Countersunk screw DIN963 M5x12-A2-70	✓			
95972950002	0,001	Loctite 243 50 ml	✓			
60540261000	1	bolt	✓			
38078241000	1	Gear Wheel	✓			
56360600000	2	Grooved ball bearing DIN625 10x26x8	✓			
57773750000	1	Retaining ring DIN471-10x1	✓			
38053972002	1	Guide Rail 400er	✓			
57630420000	4	Countersunk screw DIN963 M4x8-A2-70	✓			
71004520000	1	Flat Cabel Holder 3484-1000	✓			
38053948002	1	Flange	✓			
38060163002	1	Sealing	✓		✓	
57629520000	5	Countersunk screw DIN963 M5x10-A2-70	✓			
38061585002	1	sealing	✓		✓	
60540245701	1	guide shaft	✓			
57630620000	1	Countersunk screw DIN963 M6x12-A2-70	✓			
38100135001	1	Flat Seal Carriage Plate 400	✓		✓	
38057528001	1	Cover 255,4x177,4x2	✓			
38057559001	1	Seal Cover	✓		✓	
56972480000	10	Mushroom head screw M4x8-A2-70 Tuflok	✓			

Carriage 400 cpl



Carriage 400 cpl

Material No.	Qty	Material description	available for order	Wear part	Recomm. sp. part	Metr. relevance
56453180000	2	Threaded insert M6x9	✓			
96055070000	0,001	Grease PARALIQ GA 343	✓			
95972950002	0,001	Loctite 243 50 ml	✓			
38053945001	1	Board	✓			
38063261002	1	Sensor product feeding 1 VSI	✓			
56806411000	4	Oval-head screw ISO14583 M4x6-A2-70-T20	✓			
56739040000	2	Washer DIN125-A 4.3-A2-70	✓			
38011230000	1	Board cpl	✓			
38063262003	1	Sensor product feeding 2 VSI	✓			
56806411000	2	Oval-head screw ISO14583 M4x6-A2-70-T20	✓			
38070080000	1	Washer	✓			
38070090000	1	Sealing	✓		✓	
57430200000	1	Hexagon screw DIN933 M5x20 A2-70	✓			
65016000133	1	Washer 5-PA	✓			
38097519000	1	Sleeve 18 x 10 x 24.25	✓			
95972870002	0,001	Loctite 638	✓			
38086126000	1	Motor Product Feeding BG42x15 cpl	✓			
57431120000	2	Hexagon screw DIN933 M6x12 A2-70	✓			
71400960000	1	Short Circuit Bracket 3131 731000406	✓		✓	
57758610000	4	Toothed washer DIN6797-A 4,3-Fst	✓			
38073996000	4	Distance bolt SW7x6 M4-M4 In-Out	✓			
56806411000	4	Oval-head screw ISO14583 M4x6-A2-70-T20	✓			
38072057000	4	Washer DIN125-A-4-PA6	✓			
38057548001	1	Seal	✓		✓	

Carriage 400 cpl

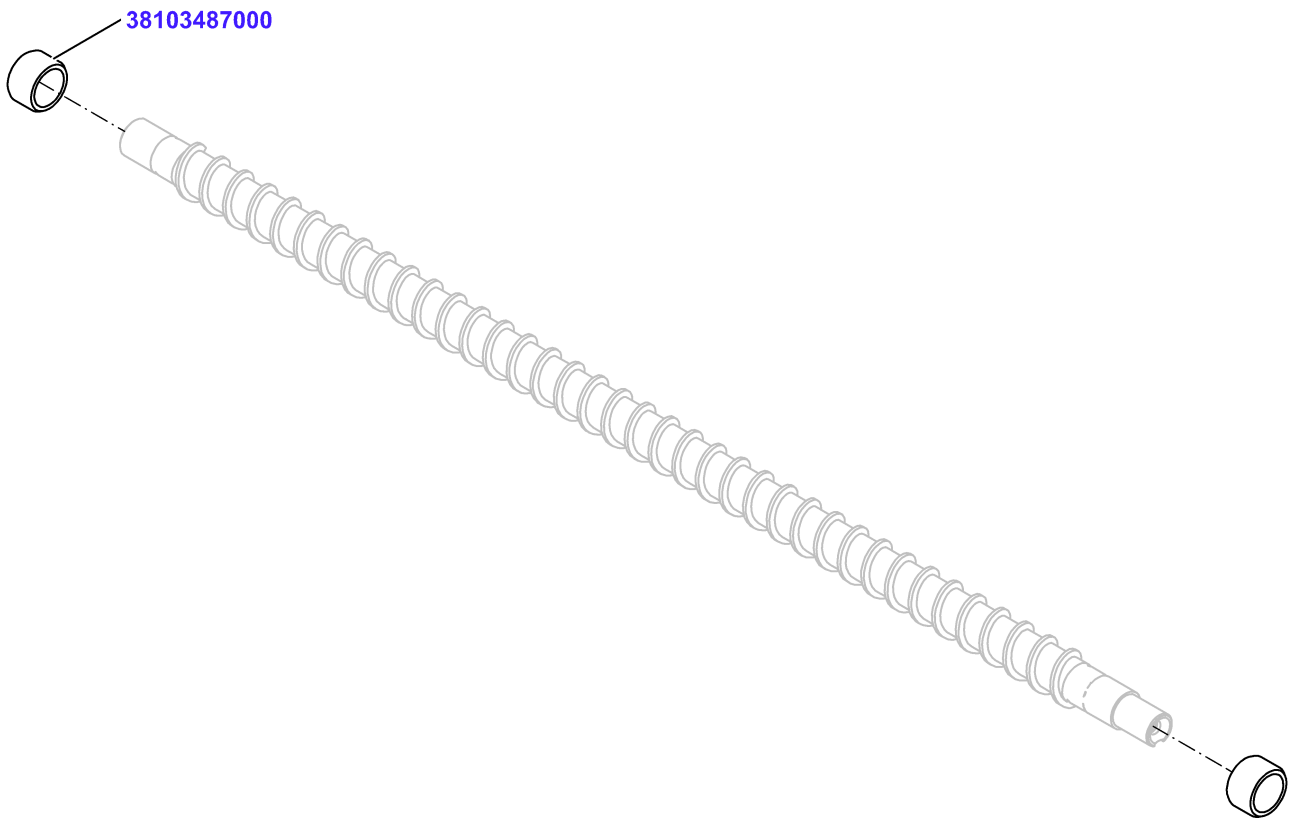
Carriage 400 cpl

Material No.	Qty	Material description
60897500157	1	PCBAP MC 3ph 2ch lv bus

available for order
Wear part
Recomm. sp. part
Metr. relevance




feed spindle ass.

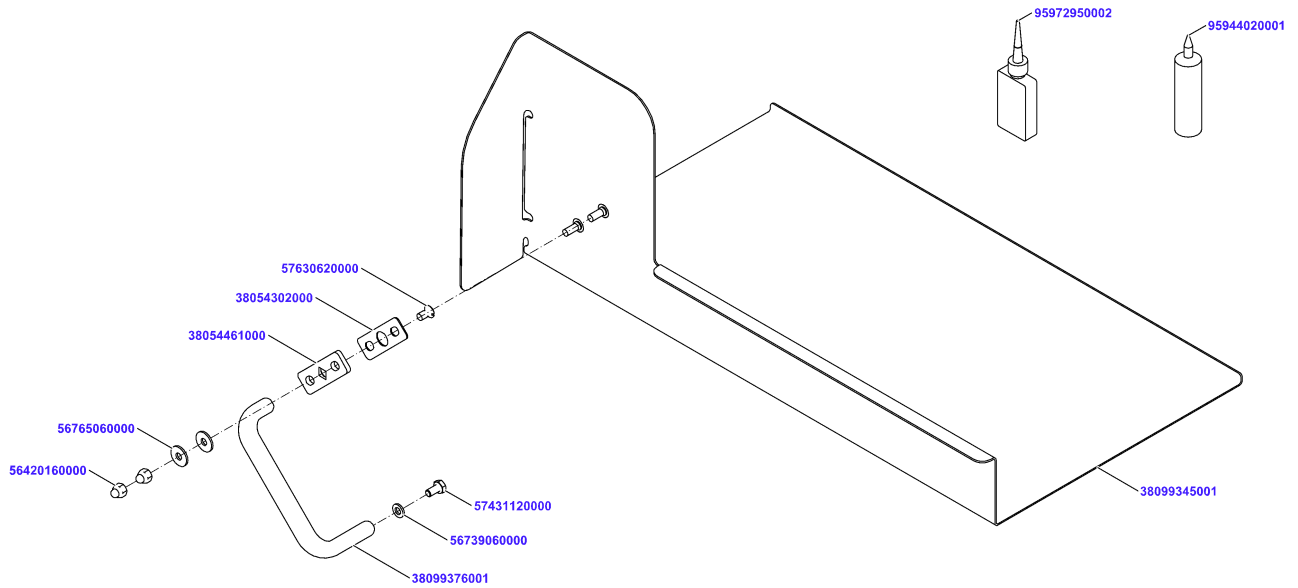


feed spindle ass.

Material No.	Qty	Material description
38103487000	2	Ring

	available for order
	Wear part
	Recomm. sp. part
	Metr. relevance

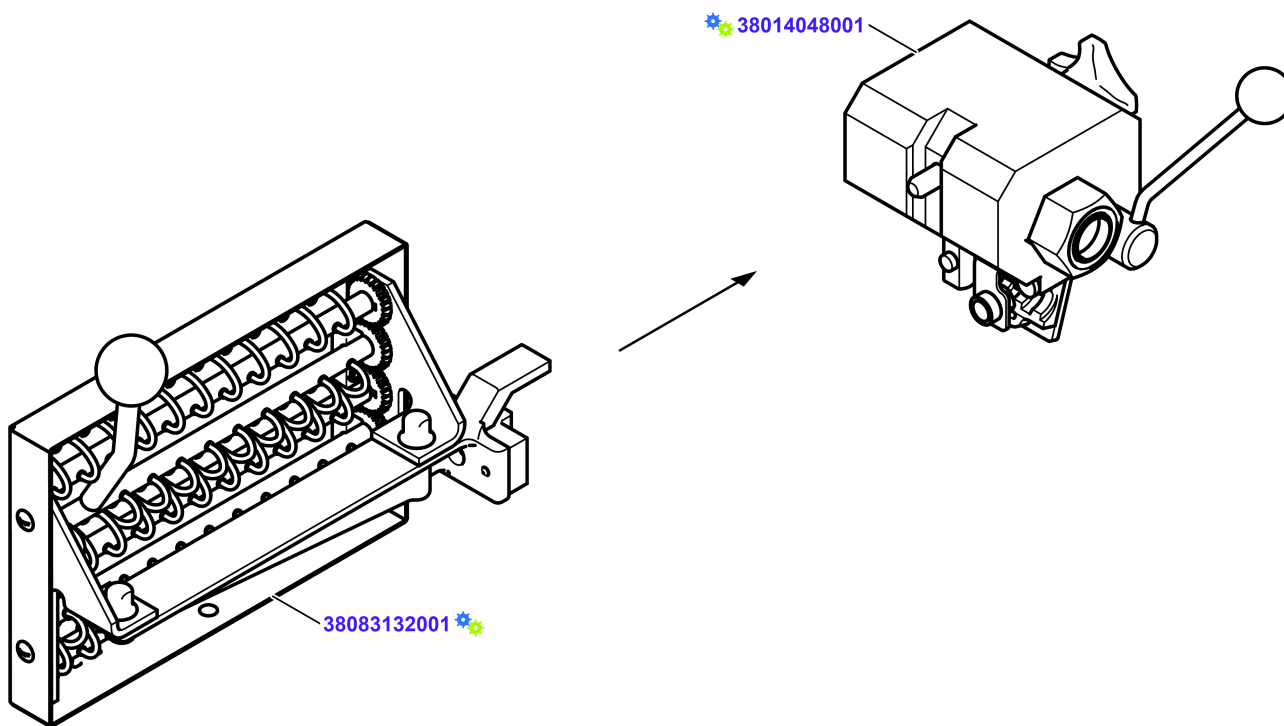
Carriage Plate 400 preass




Carriage Plate 400 preass

Material No.	Qty	Material description	available for order	Wear part	Recomm. sp. part	Metr. relevance
38099345001	1	Carriage Plate welded	✓			
38099376001	1	Handle	✓			
38054461000	1	Plate	✓			
38054302000	1	Gasket	✓		✓	
95944020001	10	Silicone Rubber Elastosil E41 90ml	✓			
57630620000	1	Countersunk screw DIN963 M6x12-A2-70	✓			
95972950002	0,001	Loctite 243 50 ml	✓			
56420160000	2	Cap nut DIN986-M6-A2	✓			
56765060000	2	Washer DIN9021-6-A2	✓			
57431120000	1	Hexagon screw DIN933 M6x12 A2-70	✓			
56739060000	1	Washer DIN125-A-6-A2	✓			

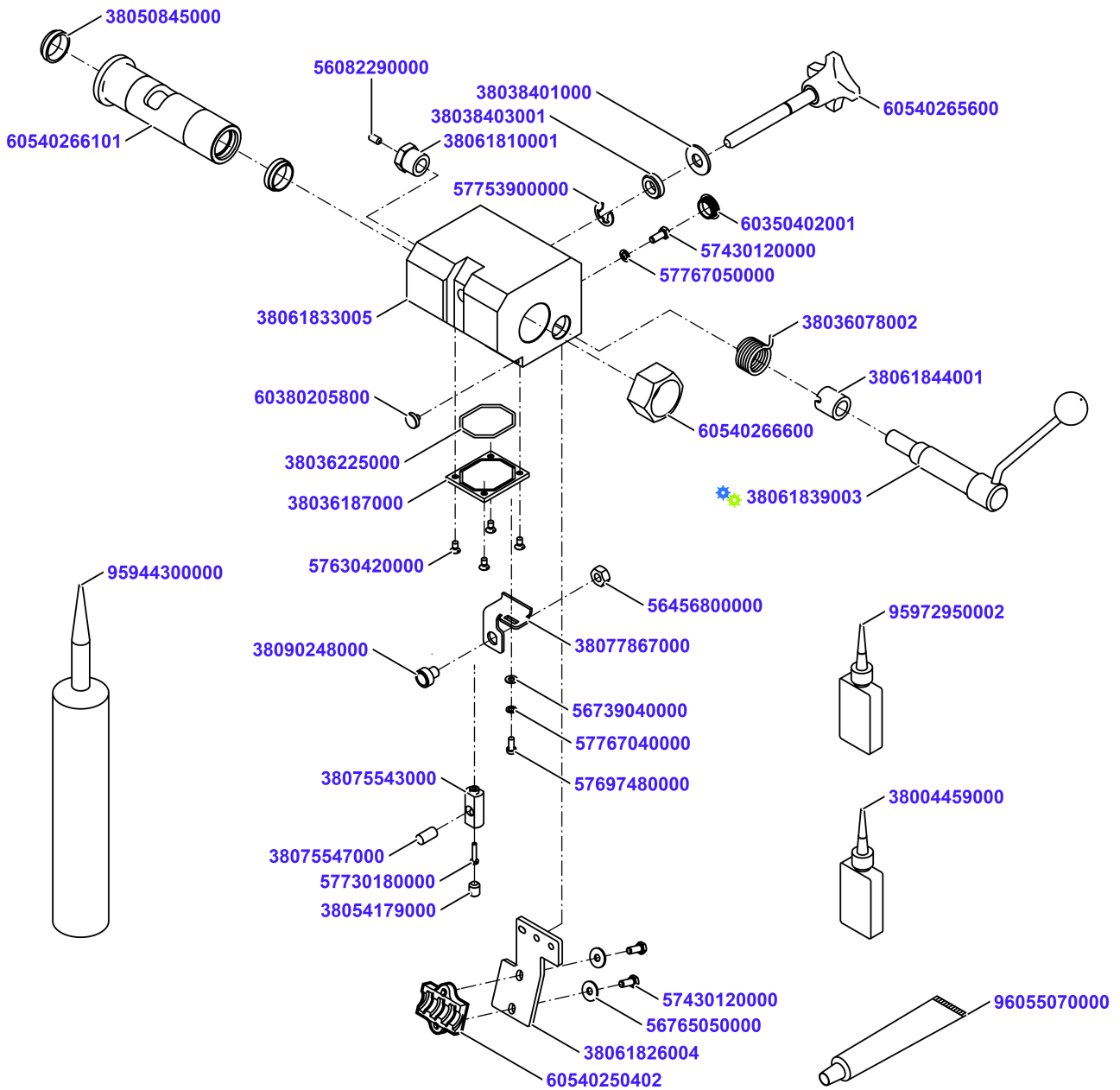
Product Holder non folding NSF cpl



Product Holder non folding NSF cpl

Material No.	Qty	Material description	available for order	Wear part	Recomm. sp. part	Metr. relevance
38014048001	1	Product Holder Guide NSF cpl				
38083132001	1	Product Holder cpl. VSI				

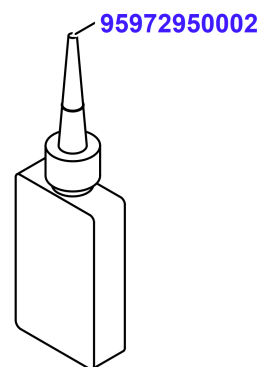
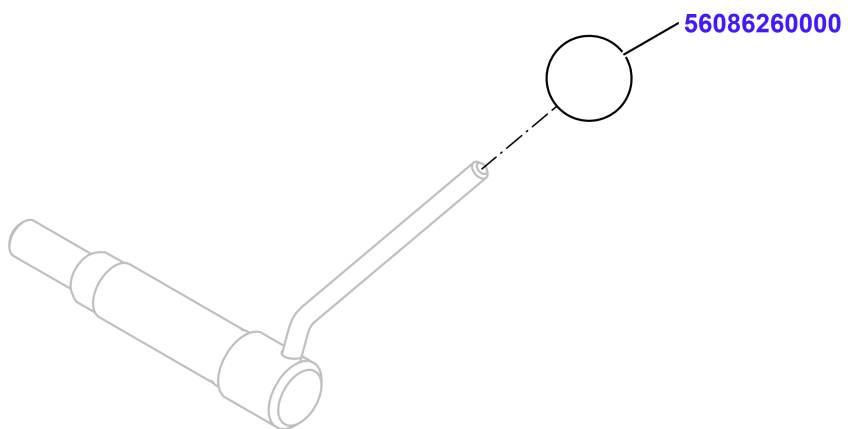
Product Holder Guide NSF cpl



Product Holder Guide NSF cpl

Material No.	Qty	Material description	available for order	Wear part	Recomm. sp. part	Metr. relevance
38061833005	1	Product Holder Guide	✓			
60540265600	1	locking lever mount.	✓			
38038401000	1	washer	✓			
38038403001	1	Bushing 19,1x10,7x5	✓			
57753900000	1	Retaining washer DIN6799-9	✓			
60540266101	1	Bushing complete	✓	✓	✓	
38050845000	2	Deflector Ring	✓			
60540266600	1	hex nut	✓			
38061839003	1	Bolt NSF cpl	✓			
38061844001	1	Sleeve	✓			
38036078002	1	torsion spring left	✓			
96055070000	0,005	Grease PARALIQ GA 343	✓			
38061810001	1	Screw Nut	✓			
38004459000	0,001	Loctite 648	✓			
56082290000	1	Set screw DIN438 M5x10-A2-70	✓			
95972950002	0,001	Loctite 243 50 ml	✓			
38061826004	1	Holder	✓			
60540250402	1	Nut Plate	✓	✓	✓	
56765050000	2	Washer DIN9021-5-A2	✓			
57767050000	1	Spring lock washer DIN128-A5-FSt	✓			
57430120000	3	Hexagon screw DIN933 M5x12 A2-70	✓			
60350402001	1	Protective plug	✓			
95944300000	1	Kitchen silicone ELASTO4710	✓			
38036187000	1	cover	✓			
38036225000	1	seal	✓		✓	
57630420000	4	Countersunk screw DIN963 M4x8-A2-70	✓			
38077867000	1	Magnet Base	✓			
38090248000	1	Magnet Vacodym 370 wz round 10x4 preass	✓		✓	
56456800000	1	Hexagon nut DIN934-M8-A2	✓			
57697480000	1	Cylinder screw DIN84 M4x10-A2-70	✓			
56739040000	1	Washer DIN125-A 4.3-A2-70	✓			
57767040000	1	Spring lock washer DIN128-A4-FSt	✓			
38075543000	1	Mounting Pin	✓			
57730180000	1	Oval-head screw ISO14583 M3x16-A2-70-T10	✓			
38075547000	1	Parallel Pin 8x15	✓			
38054179000	1	Set screw DIN438 M8x10-A2-70	✓			
60380205800	1	SLIDE PIN	✓			

Bolt NSF cpl

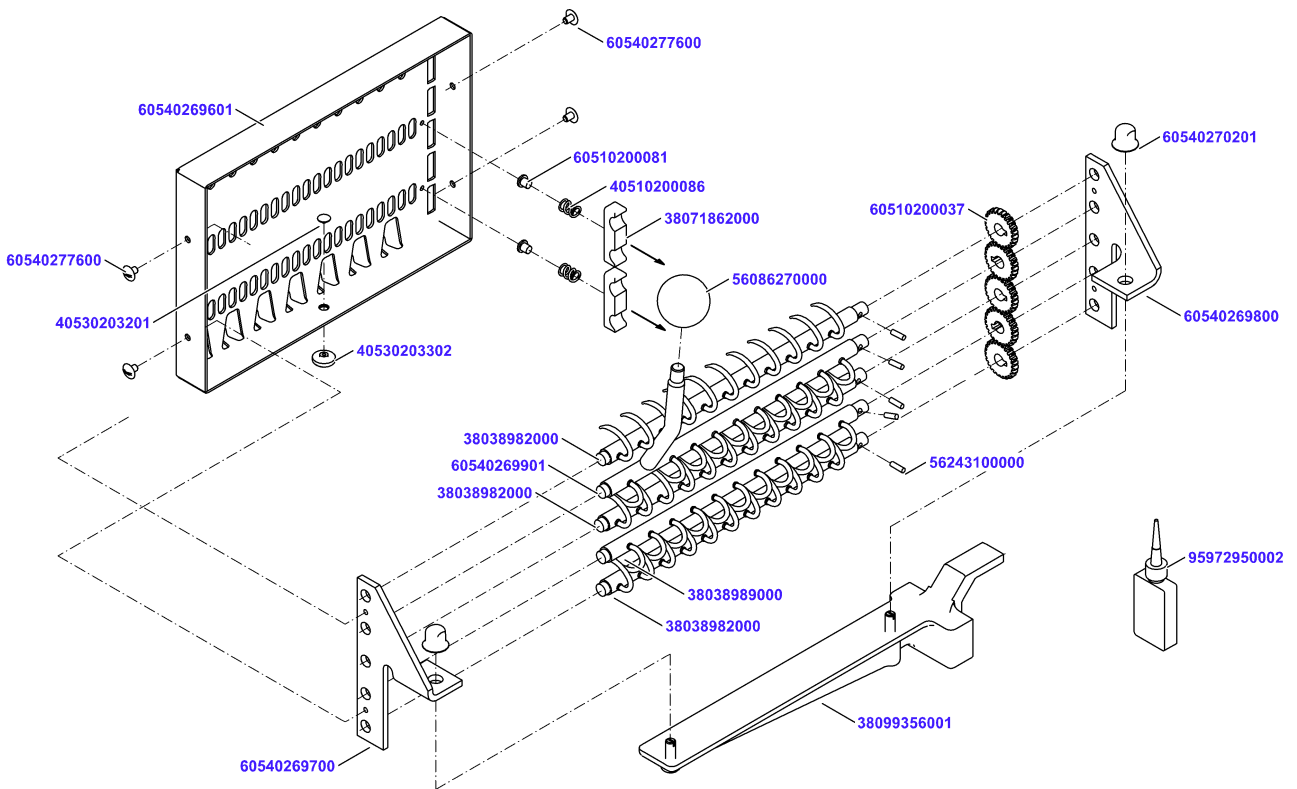


Bolt NSF cpl

Material No.	Qty	Material description
56086260000	1	Ball knob DIN319 M6x25 I
95972950002	0,001	Loctite 243 50 ml

available for order
Wear part
Recomm. sp. part
Metr. relevance

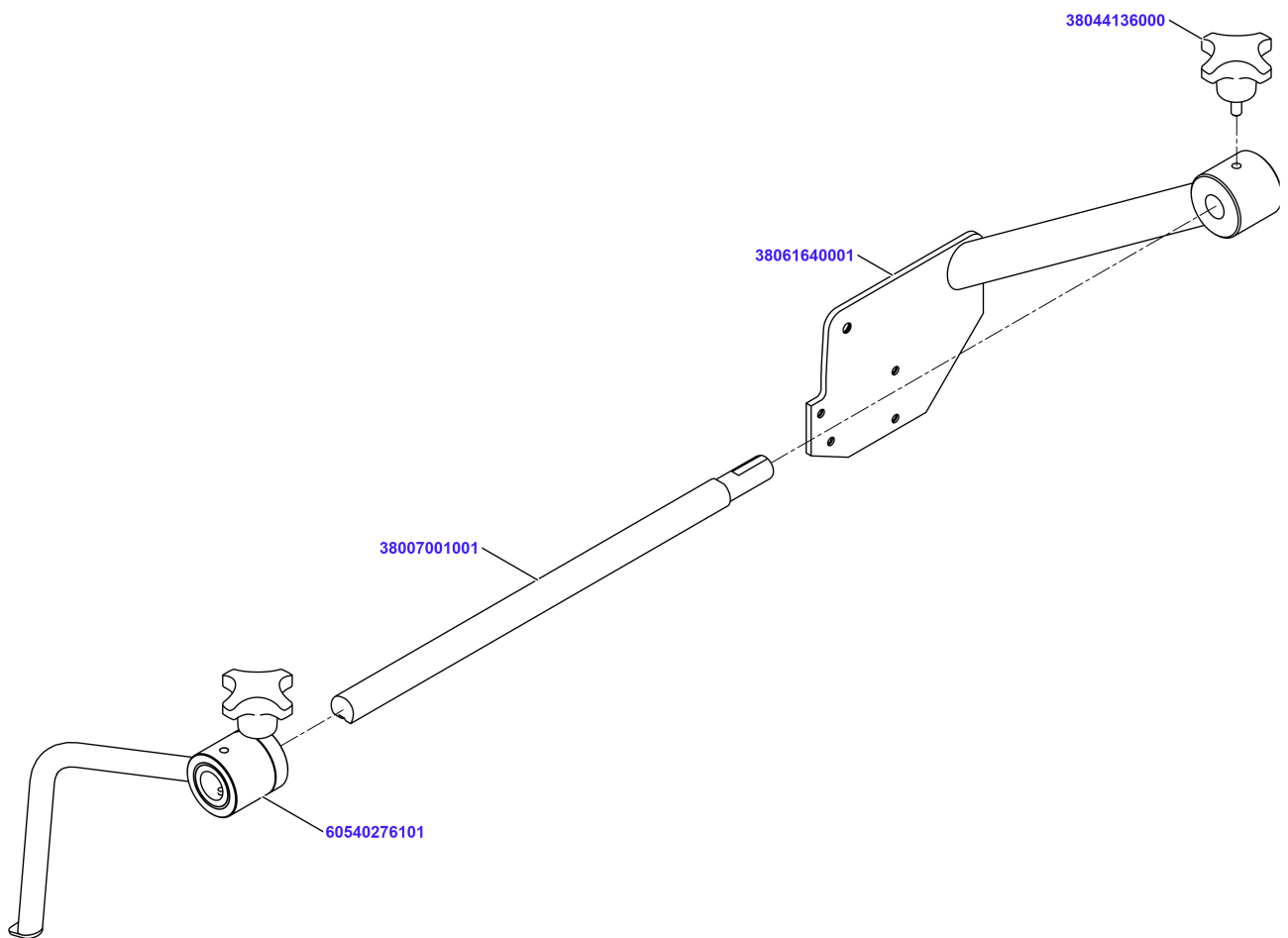
Product Holder cpl. VSI



Product Holder cpl. VSI

Material No.	Qty	Material description	available for order	Wear part	Recomm. sp. part	Metr. relevance
60540269601	1	product holder	✓			
60510200081	2	collar stud	✓			
60540269700	1	Side frame left	✓			
60540269800	1	Side frame right	✓			
38038982000	3	Gripper Shaft cpl.	✓			
38038989000	1	Gripper Shaft cpl.	✓			
60540269901	1	Gripper Shaft cpl	✓			
56086270000	1	Ball knob DIN319 M8x32 I	✓			
56243100000	5	Cylindrical pin EN 22338-3h11x10-A2	✓			
60510200037	5	Pinion	✓			
40510200086	2	Pressure spring	✓			
38071862000	2	brake pad	✓			
60540277600	4	self-tapping screw	✓			
38099356001	1	Holder preass.	✓			
60540270201	2	Cap nut M6	✓		✓	
95972950002	0,001	Loctite 243 50 ml	✓			
40530203201	1	push button	✓			
40530203302	1	sliding piece	✓		✓	

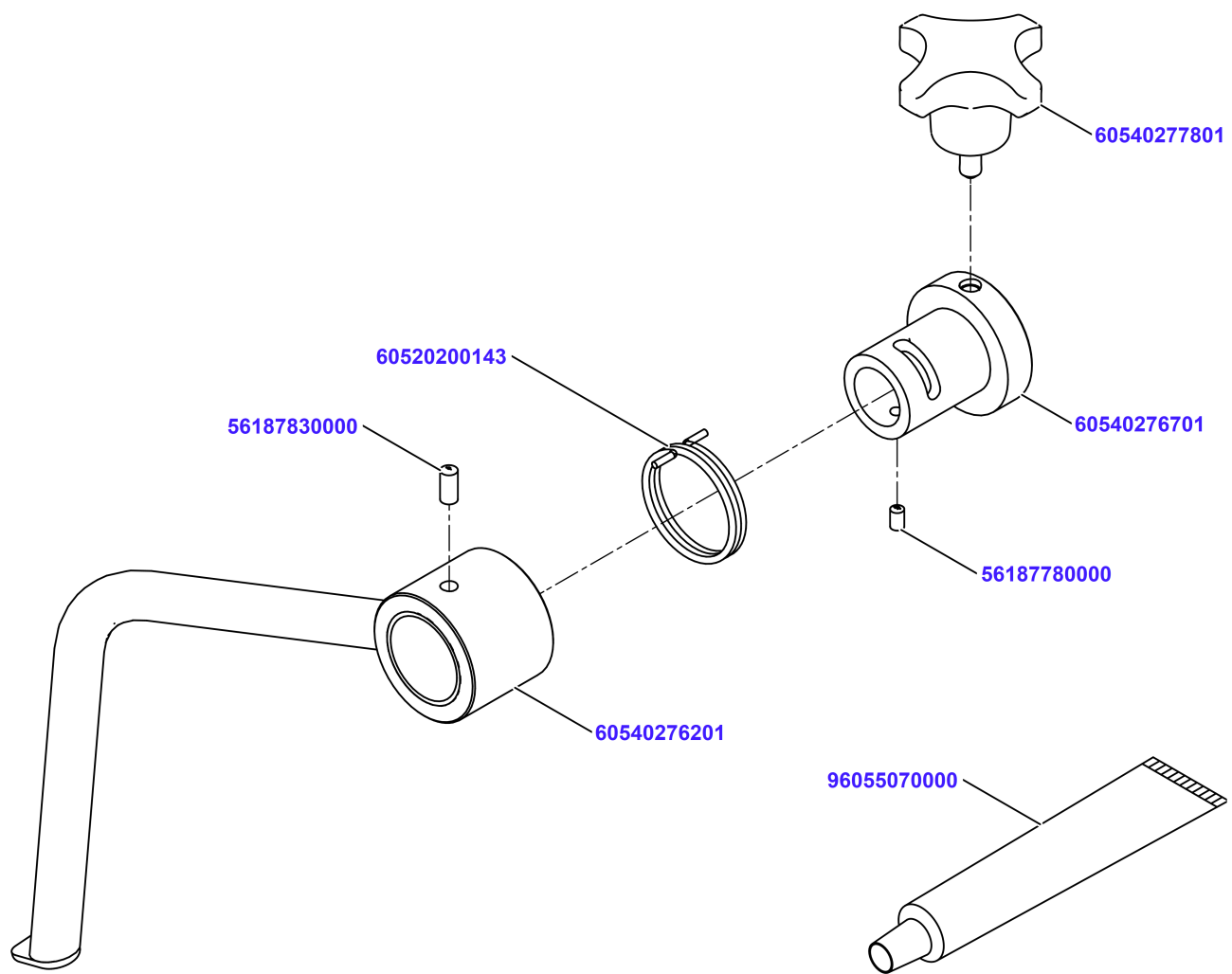
Product Supporter top NSF cpl





Product Supporter top NSF cpl

Material No.	Qty	Material description	available for order	Wear part	Recomm. sp. part	Metr. relevance
38061640001	1	Mounting welded	✓			
38007001001	1	Axis 18x342	✓			
60540276101	1	HOULDING DOWN DEVICE ASS.	✓			
38044136000	1	LOCKING SCREW	✓			

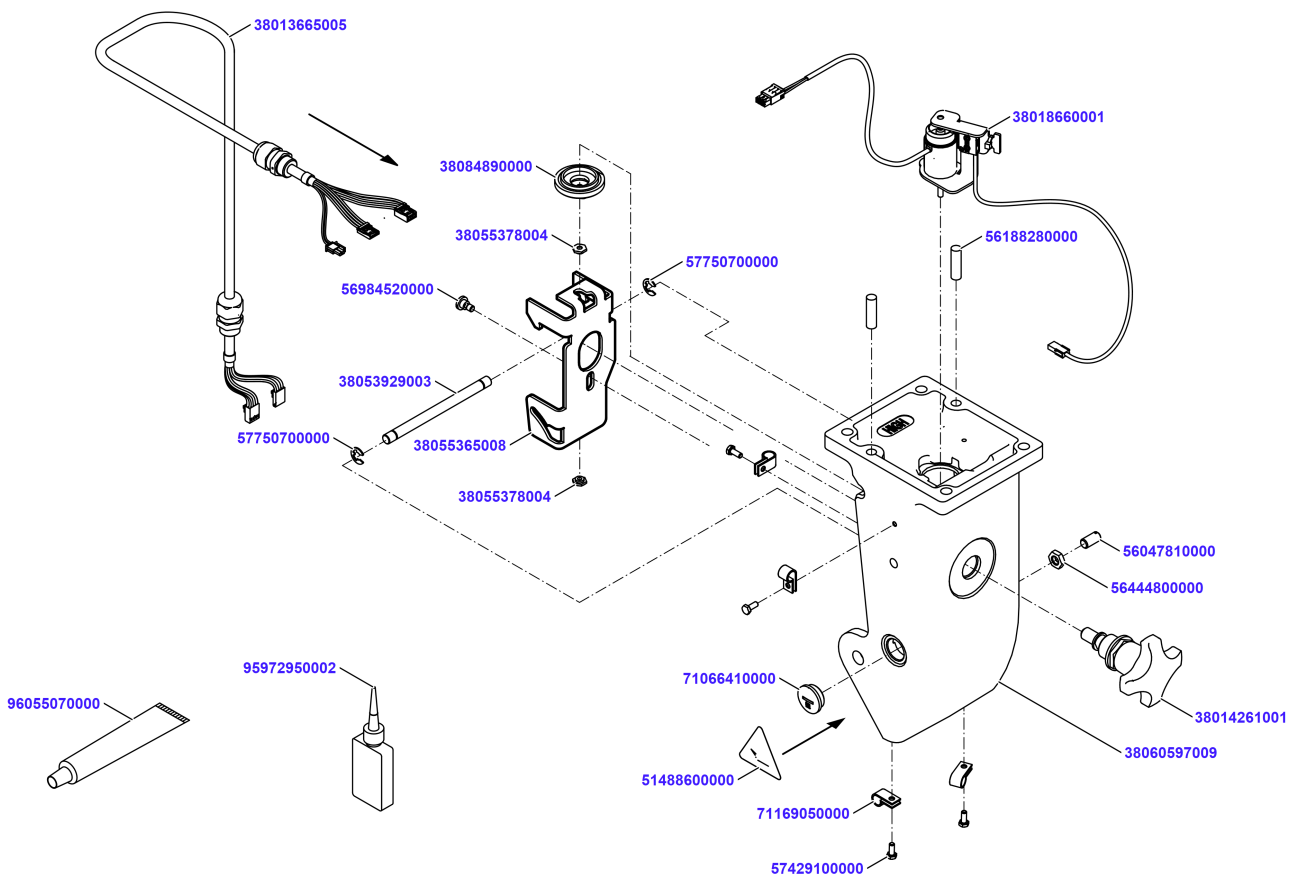
HOULDING DOWN DEVICE ASS.



HOULDING DOWN DEVICE ASS.

Material No.	Qty	Material description	available for order	Wear part	Recomm. sp. part	Metr. relevance
60540276201	1	Holding Down Device preass.				
60540276701	1	hub				
60540277801	1	LOCKING SCREW				
60520200143	1	torsion spring				
56187830000	1	Cylindrical pin EN 22338-5m6x10-A2				
96055070000	0,005	Grease PARALIQ GA 343				
56187780000	1	Cylindrical pin EN 22338-4m6x6-A2				

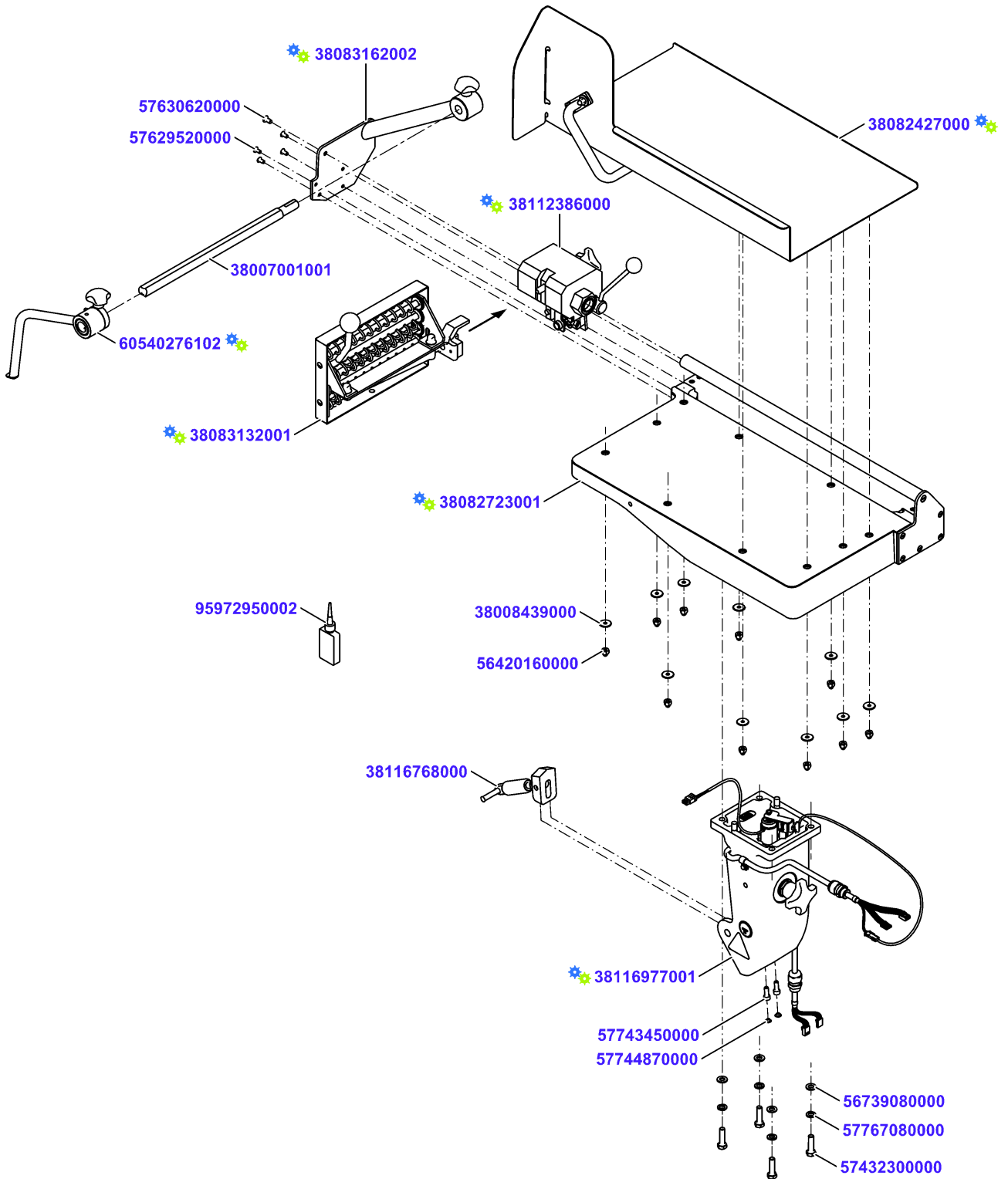
Carriage Foot high cpl



Carriage Foot high cpl

Material No.	Qty	Material description	available for order	Wear part	Recomm. sp. part	Metr. relevance
38060597009	1	Carriage Foot high mach	✓			
56188280000	2	Cylindrical pin EN 22338-8m6x28-A2	✓			
56047810000	1	Set screw DIN551 M8x16-PA 66	✓			
56444800000	1	Hexagon nut DIN439-M8-A2	✓			
38018660001	1	Magnet preass	✓	✓		
38084890000	1	Cap preass	✓			
38055378004	2	Hexagon nut	✓			
95972950002	0,001	Loctite 243 50 ml	✓			
38055365008	1	Interlock	✓			
96055070000	0,001	Grease PARALIQ GA 343	✓			
56984520000	1	Pan head screw DIN923 M5x4A2-70	✓			
71066410000	1	Plug Round M20x1.5	✓			
38014261001	1	Handle preass	✓			
38053929003	1	Stop Bolt	✓			
57750700000	2	Retaining washer DIN6799-7	✓			
71169050000	4	Cable Clamp nylon 7,4mm NK-5N	✓			
38013665005	1	Ka Rd 12x24AWG 0,87m	✓			
57429100000	4	Hexagon screw DIN933 M4x10 A2-70	✓			
51488600000	1	Warning Plate Hand Injury 7.29K	✓			

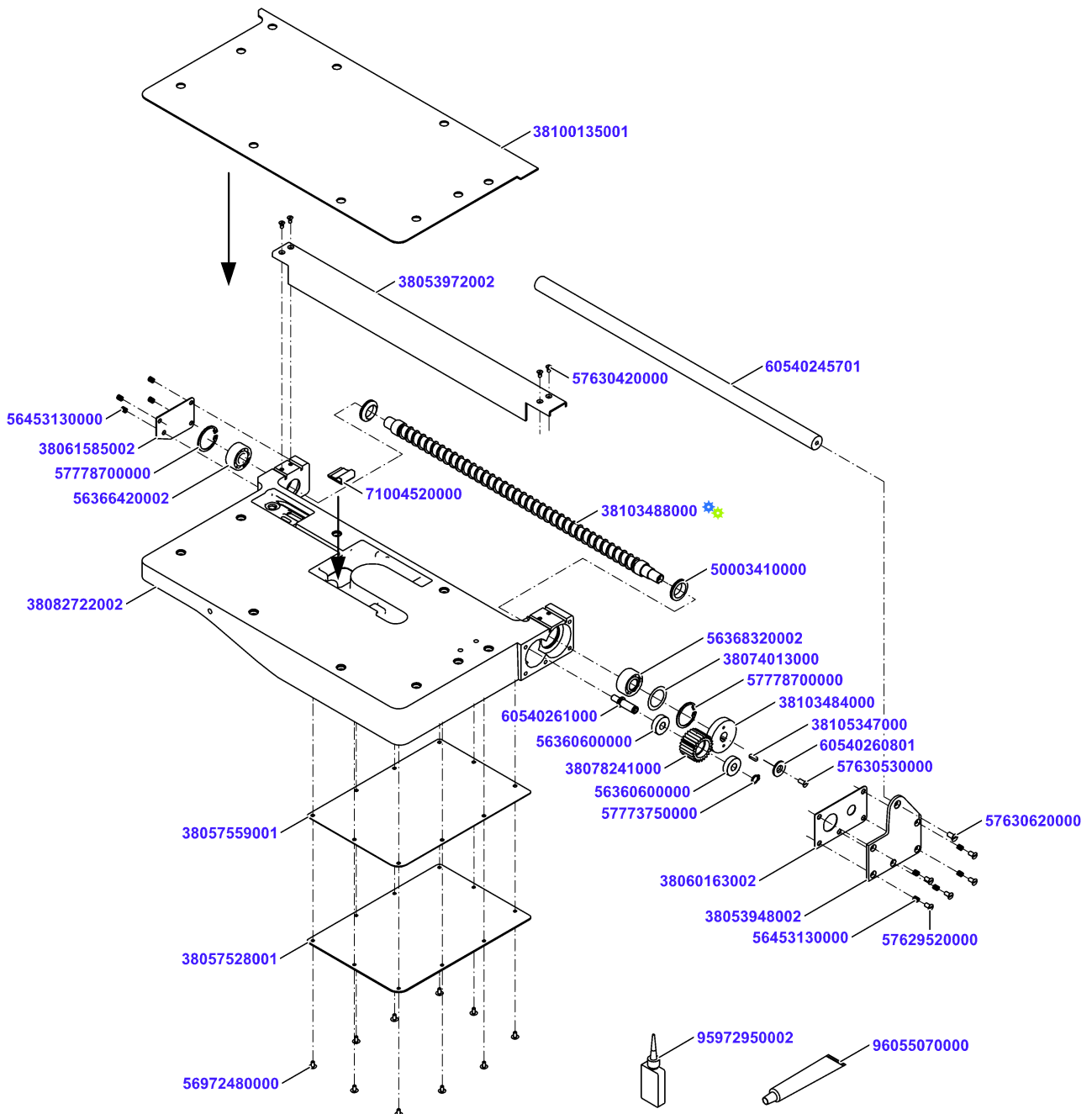
Carriage 400 NSF



Carriage 400 NSF

Material No.	Qty	Material description	available for order	Wear part	Recomm. sp. part	Metr. relevance
38082723001	1	Carriage 400 cpl				
38082427000	1	Carriage Plate 400 preass	✓			
56420160000	10	Cap nut DIN986-M6-A2	✓			
38008439000	10	Sealing washer M6	✓		✓	
38083162002	1	Product Supporter top NSF cpl				
57629520000	4	Countersunk screw DIN963 M5x10-A2-70	✓			
57630620000	1	Countersunk screw DIN963 M6x12-A2-70	✓			
38116977001	1	Carriage Foot high cpl.				
57432300000	4	Hexagon screw DIN933 M8x30 A2-70	✓			
57767080000	4	Spring lock washer DIN128-A8-A2	✓			
38116768000	1	Gas pressure spring carriage 400 cpl	✓		✓	
57743450000	2	Cylinder screw DIN912 M6x16-A2-70	✓			
95972950002	0,001	Loctite 243 50 ml	✓			
57744870000	2	Protective plug 10x5,2x3,1-PE	✓		✓	
38083132001	1	Product Holder cpl. VSI				
38112386000	1	Product Holder Guide NSF cpl	✓			
38007001001	1	Axis 18x342	✓			
60540276102	1	Holding Down Device ass.	✓			

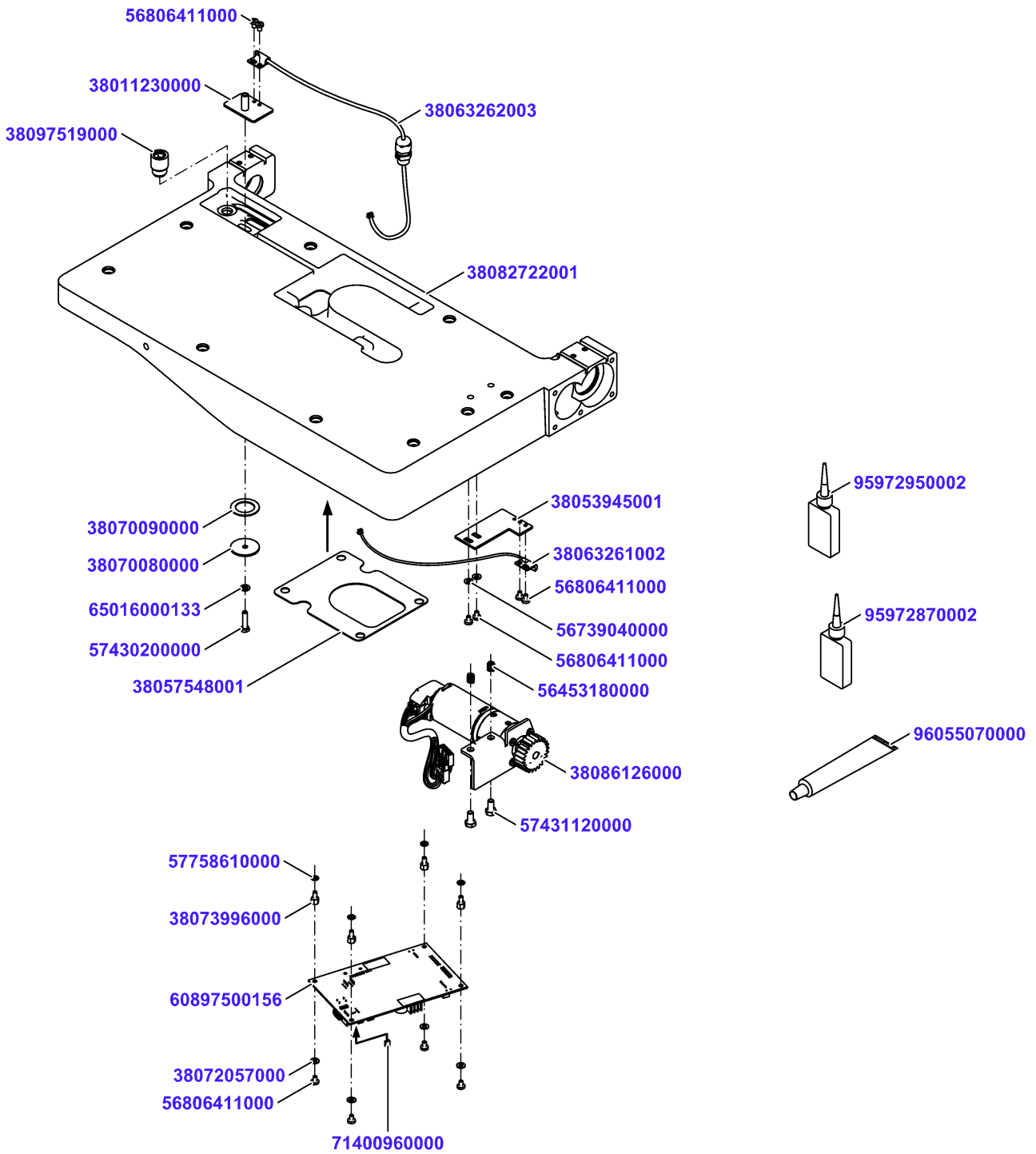
Carriage 400 cpl



Carriage 400 cpl

Material No.	Qty	Material description	available for order	Wear part	Recomm. sp. part	Metr. relevance
38082722002	1	Carriage 400 Cast machined	✓			
56453130000	9	Thread insert M5x7,5-A2	✓			
56366420002	1	Self-Aligning Ball Bearing 2202	✓			
57778700000	1	Retaining ring DIN472-35x1,5	✓			
50003410000	1	Wiper ring 30x20x7	✓			
38103488000	1	feed spindle ass.	✓			
50003410000	1	Wiper ring 30x20x7	✓			
56368320002	1	Angular bearing double-row 15x35x15,9	✓			
57778700000	1	Retaining ring DIN472-35x1,5	✓			
38074013000	1	Shim ring DIN988-25x35x0,1	✓			
38103484000	1	Gear Wheel	✓			
96055070000	0,001	Grease PARALIQ GA 343	✓			
38105347000	1	Parallel key DIN6885-A 5x3x14	✓			
60540260801	1	Washer	✓			
57630530000	1	Countersunk screw DIN963 M5x12-A2-70	✓			
95972950002	0,001	Loctite 243 50 ml	✓			
60540261000	1	bolt	✓			
38078241000	1	Gear Wheel	✓			
56360600000	2	Grooved ball bearing DIN625 10x26x8	✓			
57773750000	1	Retaining ring DIN471-10x1	✓			
38053972002	1	Guide Rail 400er	✓			
57630420000	4	Countersunk screw DIN963 M4x8-A2-70	✓			
71004520000	1	Flat Cabel Holder 3484-1000	✓			
38053948002	1	Flange	✓			
38060163002	1	Sealing	✓		✓	
57629520000	5	Countersunk screw DIN963 M5x10-A2-70	✓			
38061585002	1	sealing	✓		✓	
60540245701	1	guide shaft	✓			
57630620000	1	Countersunk screw DIN963 M6x12-A2-70	✓			
38100135001	1	Flat Seal Carriage Plate 400	✓		✓	
38057528001	1	Cover 255,4x177,4x2	✓			
38057559001	1	Seal Cover	✓		✓	
56972480000	10	Mushroom head screw M4x8-A2-70 Tuflok	✓			

Carriage 400 cpl



Carriage 400 cpl

Material No.	Qty	Material description	available for order	Wear part	Recomm. sp. part	Metr. relevance
56453180000	2	Threaded insert M6x9	✓			
96055070000	0,001	Grease PARALIQ GA 343	✓			
95972950002	0,001	Loctite 243 50 ml	✓			
38053945001	1	Board	✓			
38063261002	1	Sensor product feeding 1 VSI	✓			
56806411000	4	Oval-head screw ISO14583 M4x6-A2-70-T20	✓			
56739040000	2	Washer DIN125-A 4.3-A2-70	✓			
38011230000	1	Board cpl	✓			
38063262003	1	Sensor product feeding 2 VSI	✓			
56806411000	2	Oval-head screw ISO14583 M4x6-A2-70-T20	✓			
38070080000	1	Washer	✓			
38070090000	1	Sealing	✓		✓	
57430200000	1	Hexagon screw DIN933 M5x20 A2-70	✓			
65016000133	1	Washer 5-PA	✓			
38097519000	1	Sleeve 18 x 10 x 24.25	✓			
95972870002	0,001	Loctite 638	✓			
38086126000	1	Motor Product Feeding BG42x15 cpl	✓			
57431120000	2	Hexagon screw DIN933 M6x12 A2-70	✓			
71400960000	1	Short Circuit Bracket 3131 731000406	✓		✓	
57758610000	4	Toothed washer DIN6797-A 4,3-Fst	✓			
38073996000	4	Distance bolt SW7x6 M4-M4 In-Out	✓			
56806411000	4	Oval-head screw ISO14583 M4x6-A2-70-T20	✓			
38072057000	4	Washer DIN125-A-4-PA6	✓			
38057548001	1	Seal	✓		✓	

Carriage 400 cpl

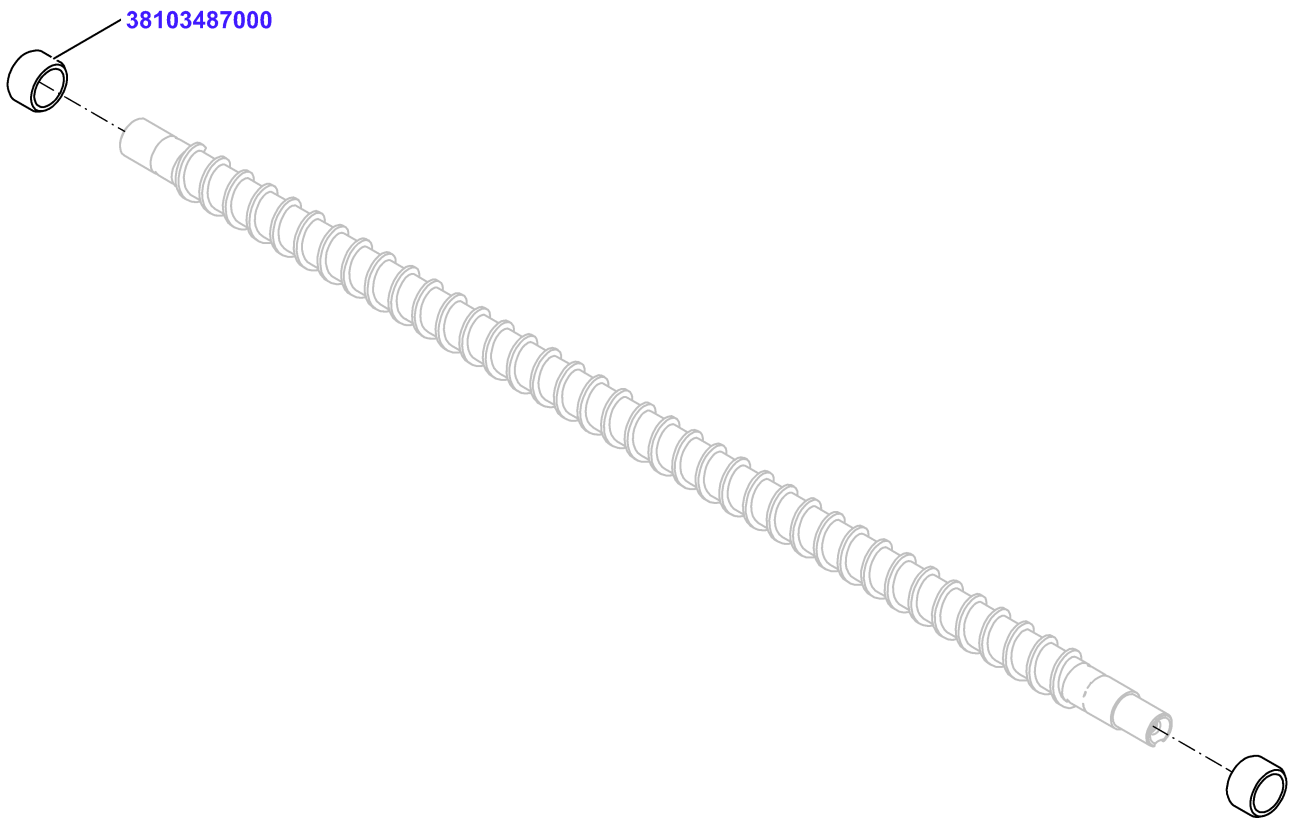
Carriage 400 cpl

Material No.	Qty	Material description
60897500157	1	PCBAP MC 3ph 2ch lv bus

available for order
Wear part
Recomm. sp. part
Metr. relevance




feed spindle ass.

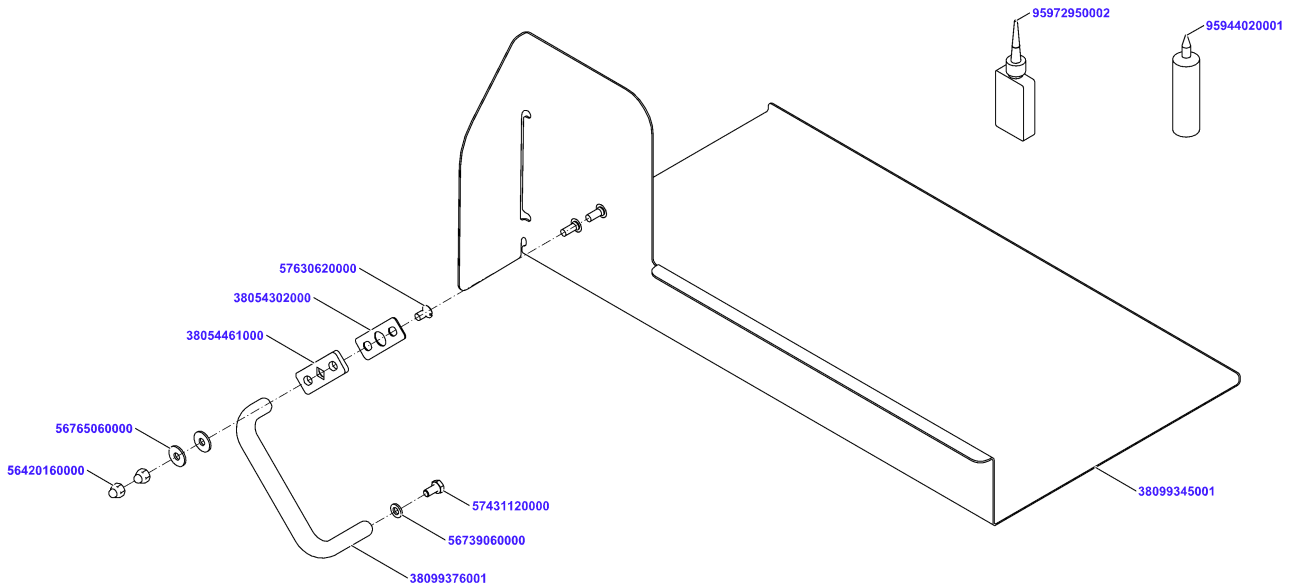


feed spindle ass.

Material No.	Qty	Material description
38103487000	2	Ring

	available for order
	Wear part
	Recomm. sp. part
	Metr. relevance

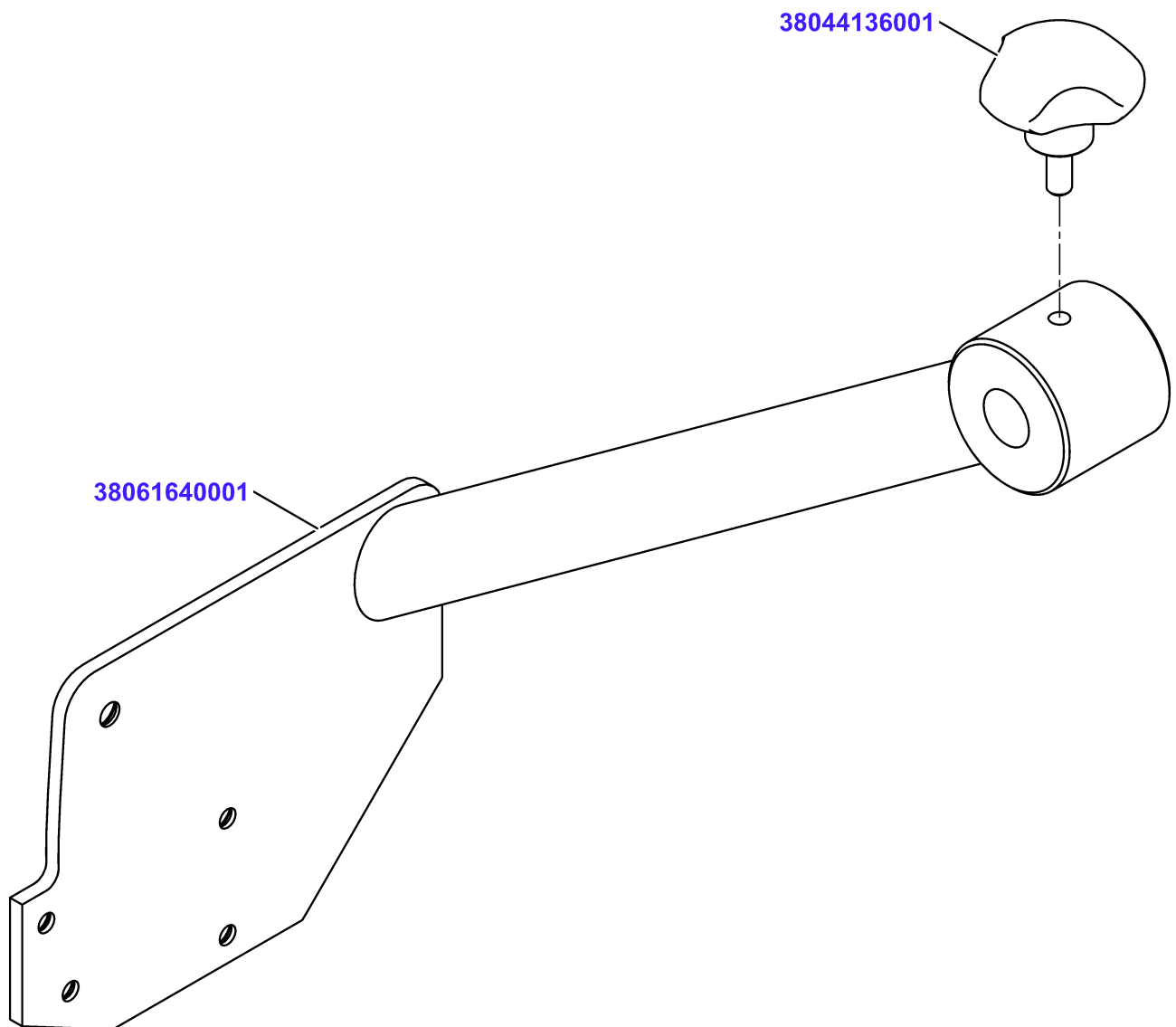
Carriage Plate 400 preass



Carriage Plate 400 preass

Material No.	Qty	Material description	available for order	Wear part	Recomm. sp. part	Metr. relevance
38099345001	1	Carriage Plate welded	✓			
38099376001	1	Handle	✓			
38054461000	1	Plate	✓			
38054302000	1	Gasket	✓		✓	
95944020001	10	Silicone Rubber Elastosil E41 90ml	✓			
57630620000	1	Countersunk screw DIN963 M6x12-A2-70	✓			
95972950002	0,001	Loctite 243 50 ml	✓			
56420160000	2	Cap nut DIN986-M6-A2	✓			
56765060000	2	Washer DIN9021-6-A2	✓			
57431120000	1	Hexagon screw DIN933 M6x12 A2-70	✓			
56739060000	1	Washer DIN125-A-6-A2	✓			

Product Supporter top NSF cpl

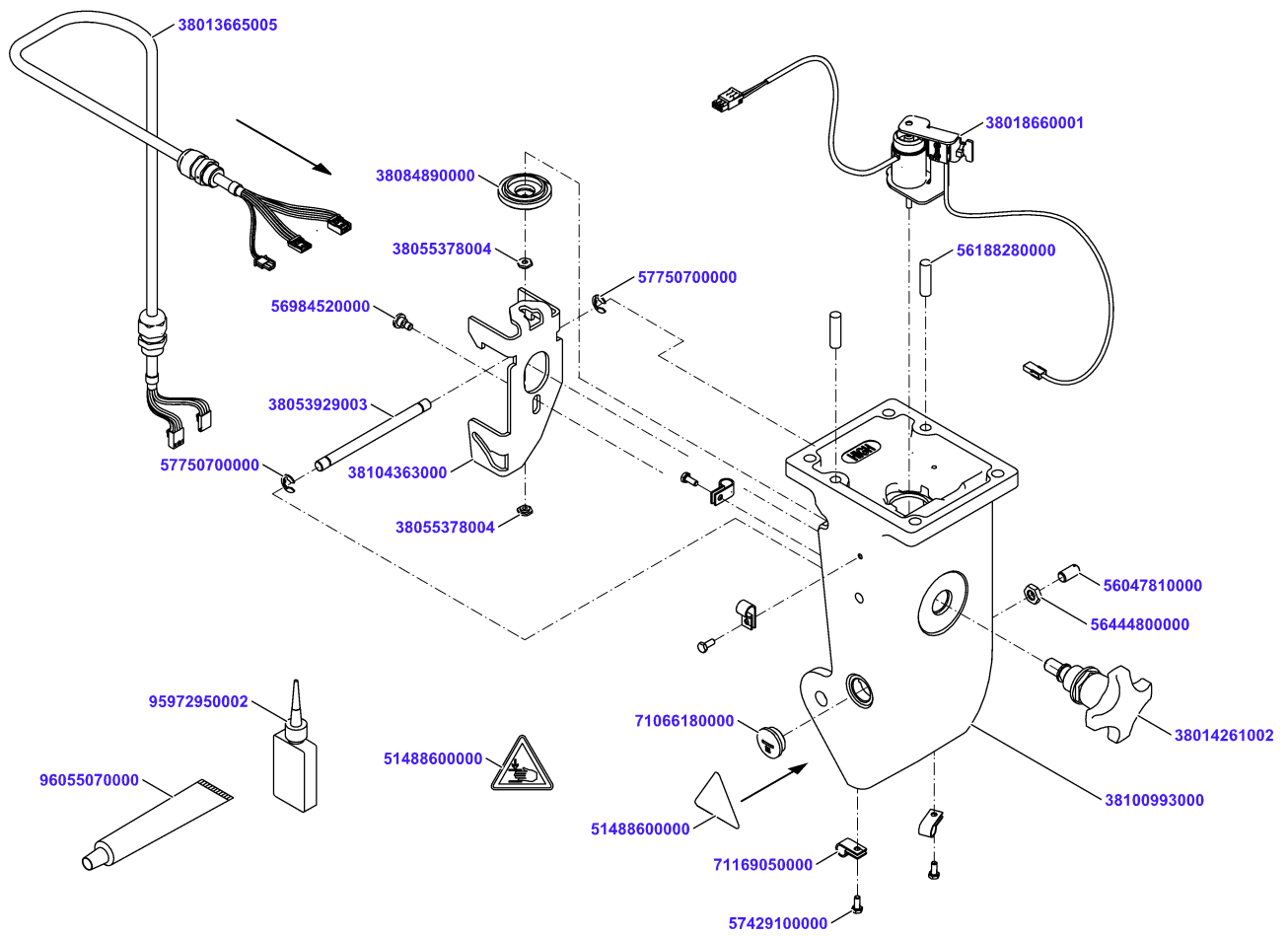


Product Supporter top NSF cpl

Material No.	Qty	Material description
38061640001	1	Mounting welded
38044136001	1	Handle with screw M6 x 14,75

available for order
Wear part
Recomm. sp. part
Metr. relevance

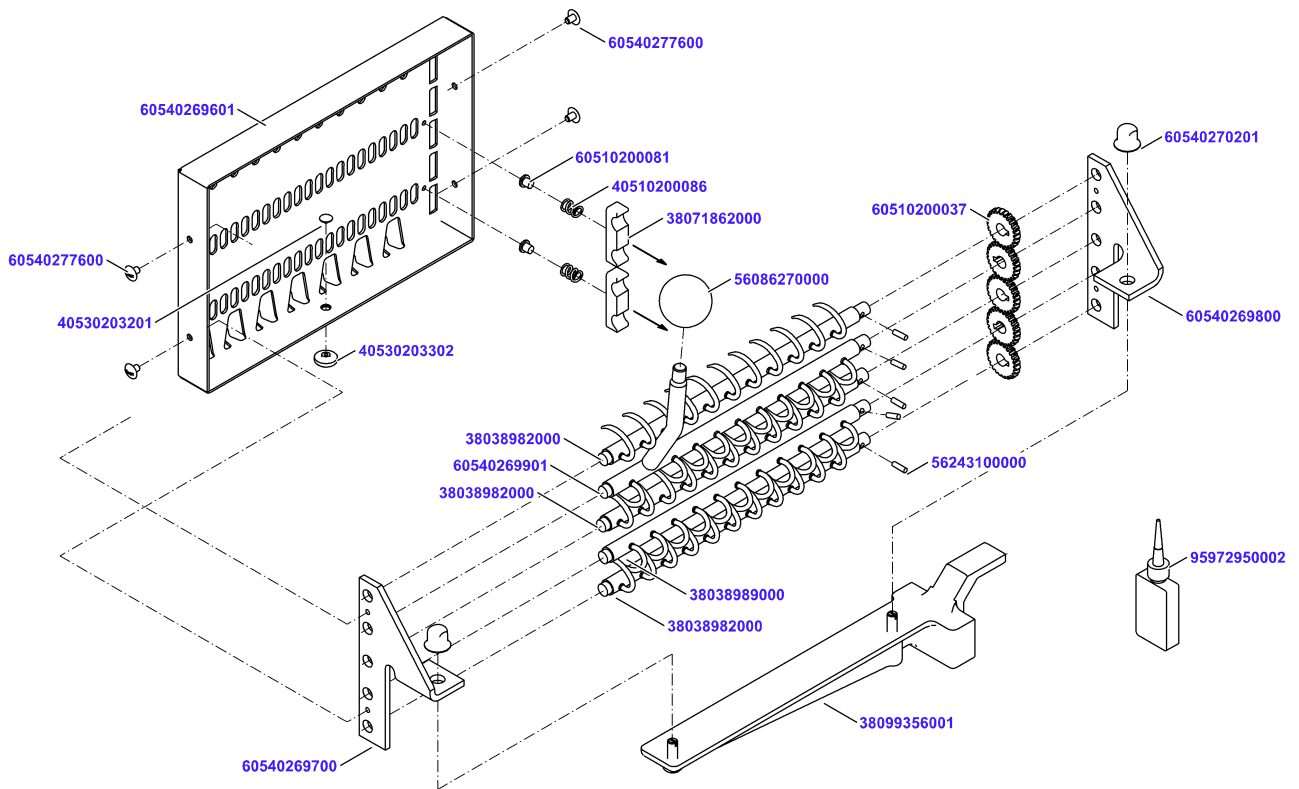
Carriage Foot high cpl.



Carriage Foot high cpl.

Material No.	Qty	Material description	available for order	Wear part	Recomm. sp. part	Metr. relevance
38100993000	1	Carriage Foot high hygienic mach	✓			
56188280000	2	Cylindrical pin EN 22338-8m6x28-A2	✓			
56047810000	1	Set screw DIN551 M8x16-PA 66	✓			
56444800000	1	Hexagon nut DIN439-M8-A2	✓			
38018660001	1	Magnet preass	✓	✓		
38084890000	1	Cap preass	✓			
38055378004	2	Hexagon nut	✓			
95972950002	0,001	Loctite 243 50 ml	✓			
38104363000	1	Interlock	✓			
96055070000	0,001	Grease PARALIQ GA 343	✓			
56984520000	1	Pan head screw DIN923 M5x4A2-70	✓			
71066180000	1	Blind plug BLK- M20	✓			
38014261002	1	Handle preass.	✓			
38053929003	1	Stop Bolt	✓			
57750700000	2	Retaining washer DIN6799-7	✓			
71169050000	4	Cable Clamp nylon 7,4mm NK-5N	✓			
38013665005	1	Ka Rd 12x24AWG 0,87m	✓			
57429100000	4	Hexagon screw DIN933 M4x10 A2-70	✓			
51488600000	1	Warning Plate Hand Injury 7.29K	✓			

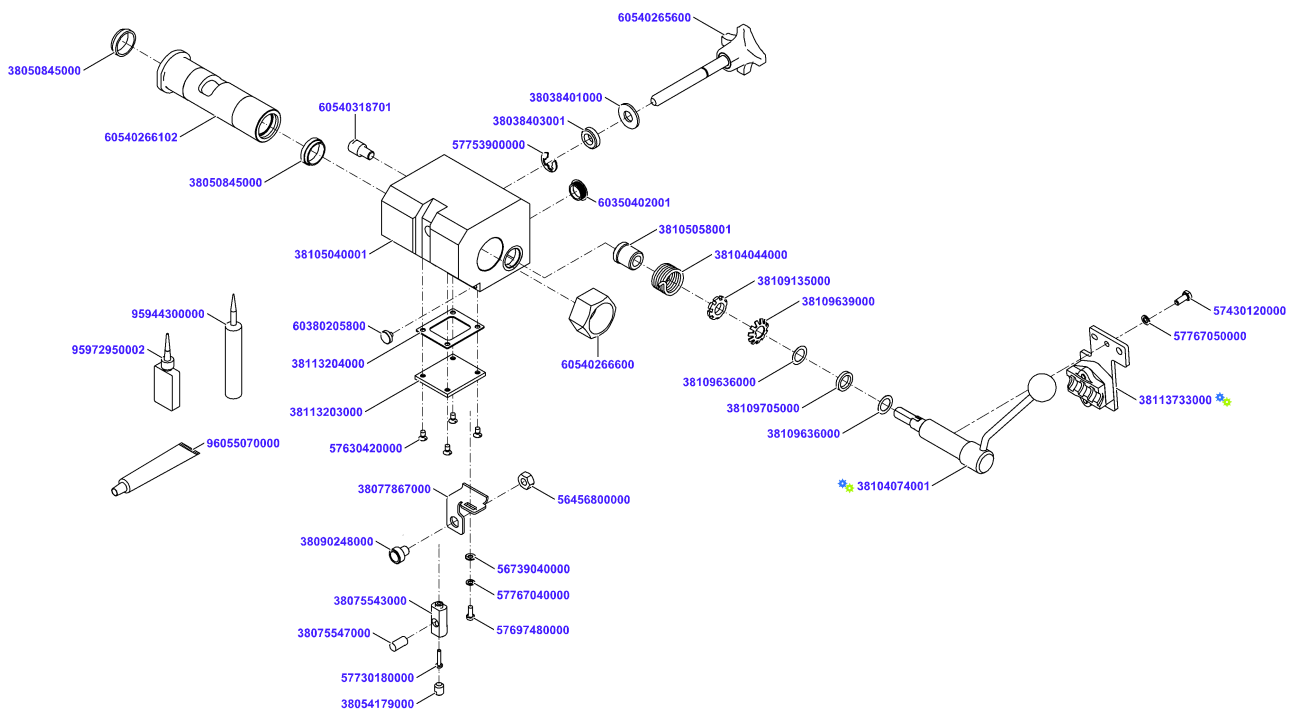
Product Holder cpl. VSI



Product Holder cpl. VSI

Material No.	Qty	Material description	available for order	Wear part	Recomm. sp. part	Metr. relevance
60540269601	1	product holder	✓			
60510200081	2	collar stud	✓			
60540269700	1	Side frame left	✓			
60540269800	1	Side frame right	✓			
38038982000	3	Gripper Shaft cpl.	✓			
38038989000	1	Gripper Shaft cpl.	✓			
60540269901	1	Gripper Shaft cpl	✓			
56086270000	1	Ball knob DIN319 M8x32 I	✓			
56243100000	5	Cylindrical pin EN 22338-3h11x10-A2	✓			
60510200037	5	Pinion	✓			
40510200086	2	Pressure spring	✓			
38071862000	2	brake pad	✓			
60540277600	4	self-tapping screw	✓			
38099356001	1	Holder preass.	✓			
60540270201	2	Cap nut M6	✓		✓	
95972950002	0,001	Loctite 243 50 ml	✓			
40530203201	1	push button	✓			
40530203302	1	sliding piece	✓	✓	✓	

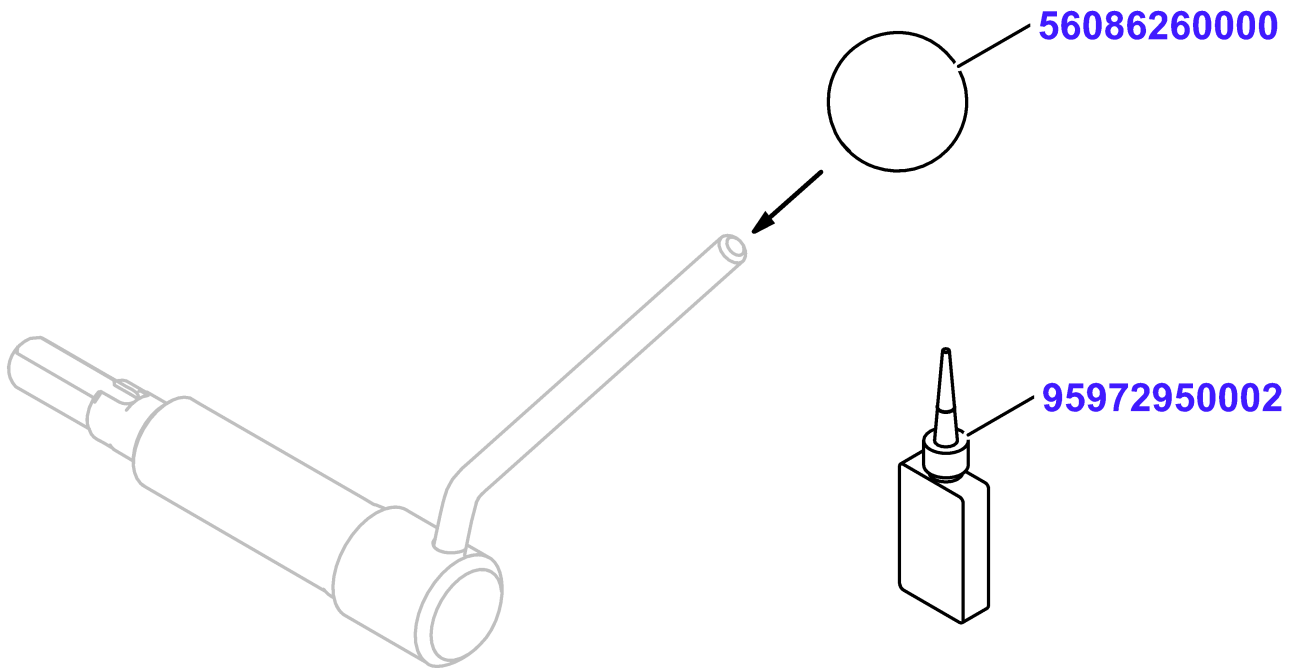
Product Holder Guide NSF cpl



Product Holder Guide NSF cpl

Material No.	Qty	Material description	available for order	Wear part	Recomm. sp. part	Metr. relevance
38105040001	1	Product Holder Guide	✓			
60540265600	1	locking lever mount.	✓			
38038401000	1	washer	✓			
38038403001	1	Bushing 19,1x10,7x5	✓			
57753900000	1	Retaining washer DIN6799-9	✓			
60540266102	1	Bushing complete	✓			
38050845000	2	Deflector Ring	✓			
60540266600	1	hex nut	✓			
38109705000	1	Shaft seal 12x18x3	✓			
38109636000	1	Shim ring DIN988-12x18x0,2	✓			
38104074001	1	Bolt NSF cpl	✓			
38109636000	1	Shim ring DIN988-12x18x0,2	✓			
38109639000	1	Safety plate DIN5406-MB1	✓			
38109135000	1	Grooved nut M12 x 0.5	✓			
38105058001	1	Bushing 19,5/18x10,2x21	✓			
38104044000	1	Torsion spring left	✓			
96055070000	0,005	Grease PARALIQ GA 343	✓			
38113733000	1	Holder preassembled	✓			
57767050000	1	Spring lock washer DIN128-A5-FSt	✓			
57430120000	1	Hexagon screw DIN933 M5x12 A2-70	✓			
60350402001	1	Protective plug	✓			
95944300000	0,005	Kitchen silicone ELASTO4710	✓			
38113203000	1	cover	✓			
38113204000	1	Seal 47x40x1	✓			
57630420000	4	Countersunk screw DIN963 M4x8-A2-70	✓			
38077867000	1	Magnet Base	✓			
38090248000	1	Magnet Vacodym 370 wz round 10x4 preass	✓			
56456800000	1	Hexagon nut DIN934-M8-A2	✓			
57697480000	1	Cylinder screw DIN84 M4x10-A2-70	✓			
56739040000	1	Washer DIN125-A 4.3-A2-70	✓			
57767040000	1	Spring lock washer DIN128-A4-FSt	✓			
38075543000	1	Mounting Pin	✓			
57730180000	1	Oval-head screw ISO14583 M3x16-A2-70-T10	✓			
38075547000	1	Parallel Pin 8x15	✓			
38054179000	1	Set screw DIN438 M8x10-A2-70	✓			
60380205800	1	SLIDE PIN	✓			
60540318701	1	stop pin	✓			
95972950002	0,001	Loctite 243 50 ml	✓			

Bolt NSF cpl

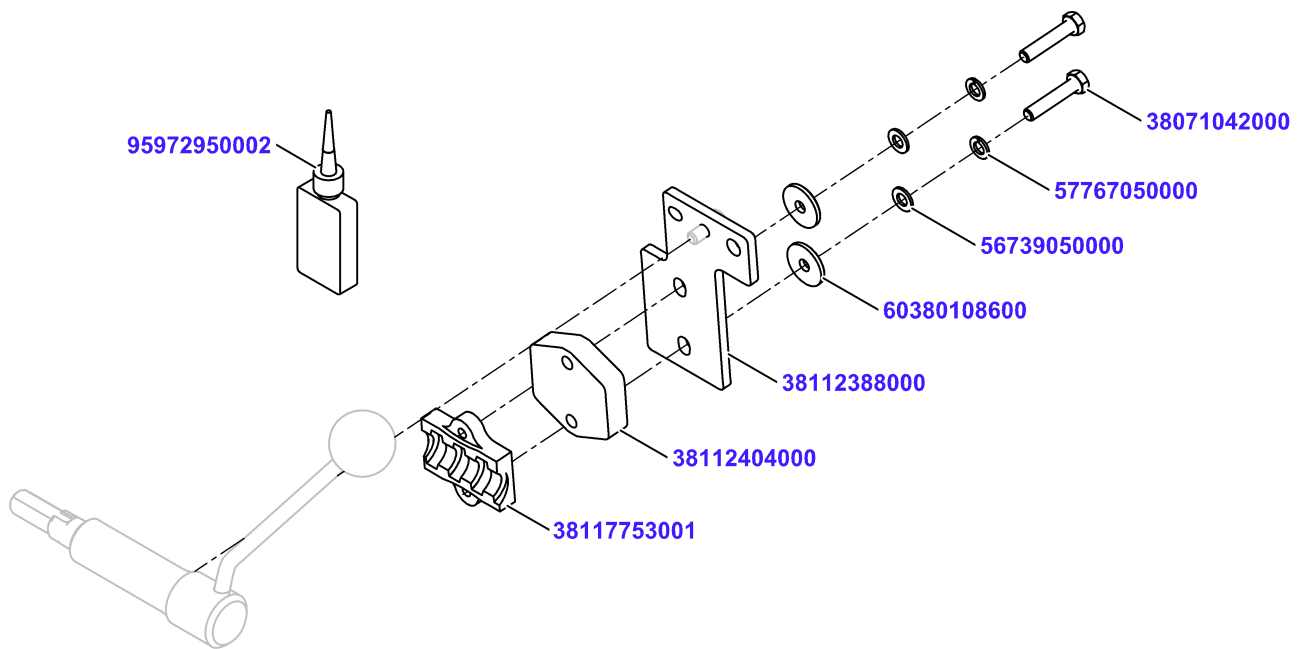


Bolt NSF cpl

Material No.	Qty	Material description
56086260000	1	Ball knob DIN319 M6x25 I
95972950002	0,001	Loctite 243 50 ml

available for order
Wear part
Recomm. sp. part
Metr. relevance

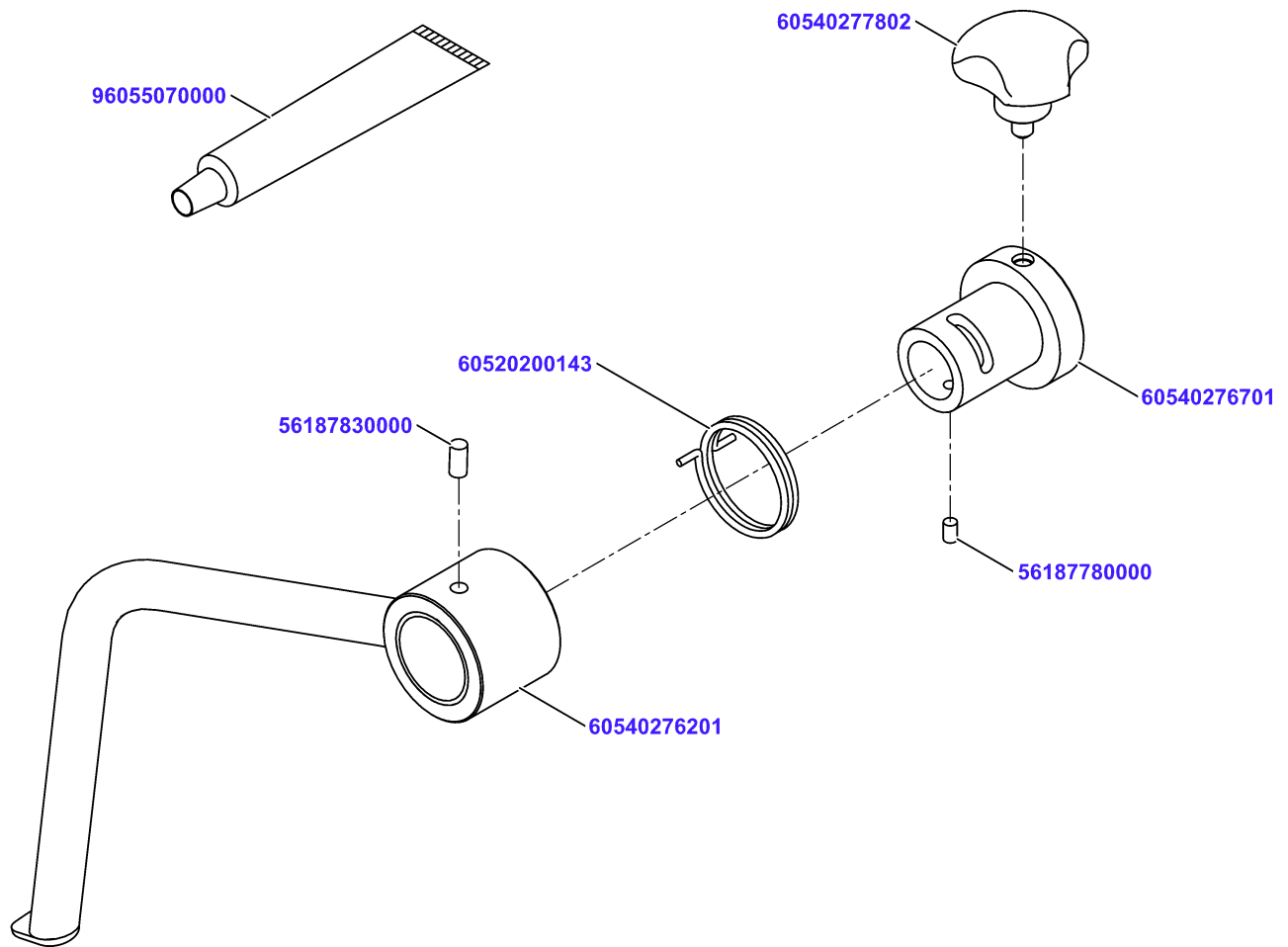
Holder preassembled



Holder preassembled

Material No.	Qty	Material description	available for order	Wear part	Recomm. sp. part	Metr. relevance
38112388000	1	Holder	✓			
38112404000	1	Spacer plate 40x40x10	✓			
38117753001	1	Nut Plate TR20X12P4	✓	✓	✓	
38071042000	2	Hexagon screw DIN933 M5x25 A2-70	✓			
60380108600	2	Washer	✓			
56739050000	2	Washer DIN125-A-5-A2	✓			
57767050000	2	Spring lock washer DIN128-A5-FSt	✓			
95972950002	0,001	Loctite 243 50 ml	✓			

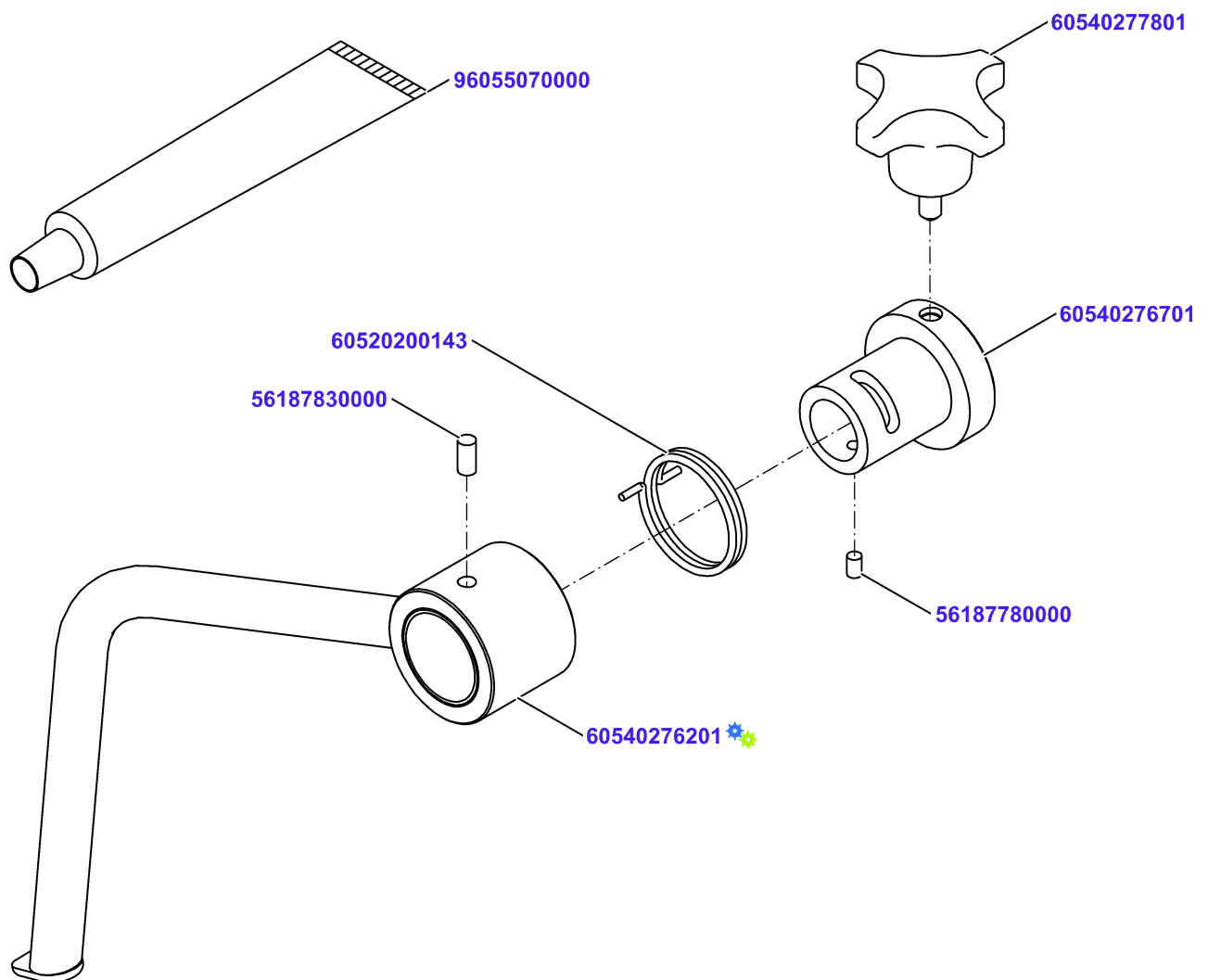
Holding Down Device ass.



Holding Down Device ass.

Material No.	Qty	Material description	available for order	Wear part	Recomm. sp. part	Metr. relevance
60540276201	1	Holding Down Device preass.				
56187830000	1	Cylindrical pin EN 22338-5m6x10-A2				
60540276701	1	hub				
60540277802	1	Handle with screw M6 x 13,55				
56187780000	1	Cylindrical pin EN 22338-4m6x6-A2				
60520200143	1	torsion spring				
96055070000	0,005	Grease PARALIQ GA 343				

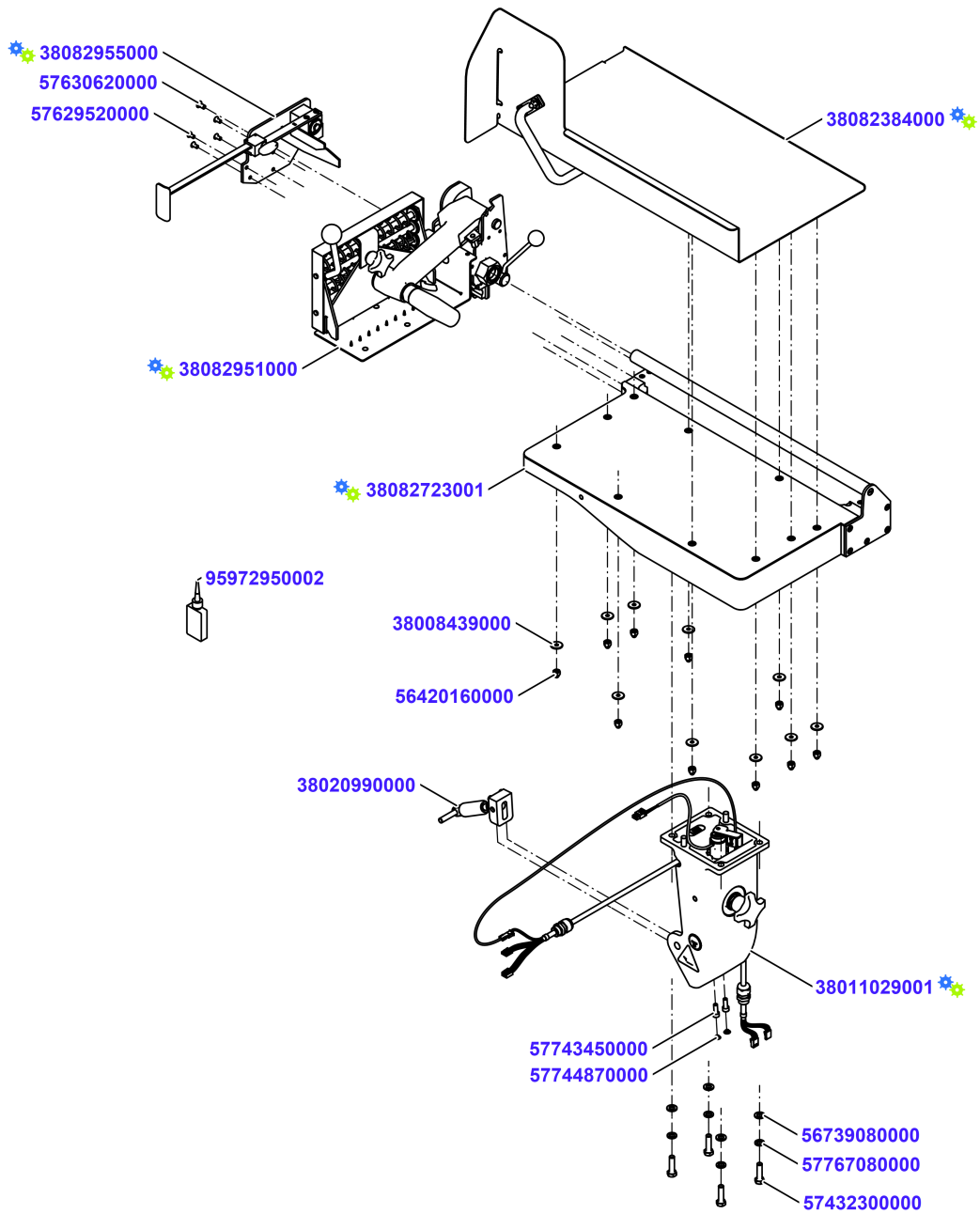
Holding Down Device ass.



Holding Down Device ass.

Material No.	Qty	Material description	available for order	Wear part	Recomm. sp. part	Metr. relevance
60540276201	1	Holding Down Device preass.				
56187830000	1	Cylindrical pin EN 22338-5m6x10-A2				
60540276701	1	hub				
56187780000	1	Cylindrical pin EN 22338-4m6x6-A2				
60520200143	1	torsion spring				
96055070000	0,005	Grease PARALIQ GA 343				

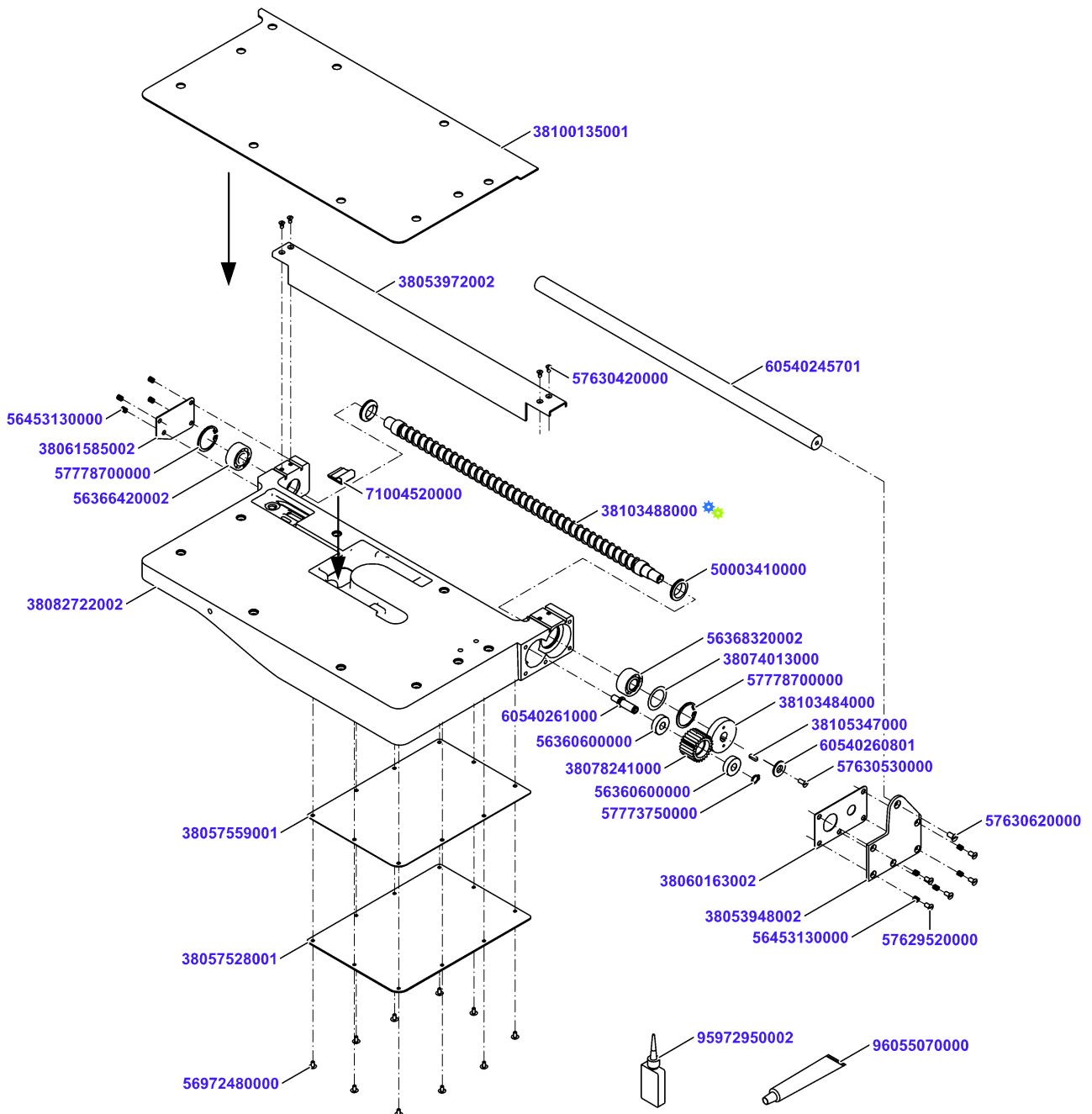
Carriage 400 with Peaks



Carriage 400 with Peaks

Material No.	Qty	Material description	available for order	Wear part	Recomm. sp. part	Metr. relevance
38082723001	1	Carriage 400 cpl				
38082384000	1	Carriage Plate 400 preass	✓			
56420160000	10	Cap nut DIN986-M6-A2	✓			
38008439000	10	Sealing washer M6	✓		✓	
38082951000	1	Product Holder folding upwards cpl				
38082955000	1	Product Supporter horizontal cpl	✓			
57629520000	4	Countersunk screw DIN963 M5x10-A2-70	✓			
95972950002	0,001	Loctite 243 50 ml	✓			
57630620000	1	Countersunk screw DIN963 M6x12-A2-70	✓			
38011029001	1	Carriage Foot low cpl				
57432300000	4	Hexagon screw DIN933 M8x30 A2-70	✓			
57767080000	4	Spring lock washer DIN128-A8-A2	✓			
56739080000	4	Washer DIN125-A-8-A2	✓			
38020990000	1	Gas Spring Carriage 400 cpl	✓		✓	
57743450000	2	Cylinder screw DIN912 M6x16-A2-70	✓		✓	
57744870000	2	Protective plug 10x5,2x3,1-PE	✓		✓	

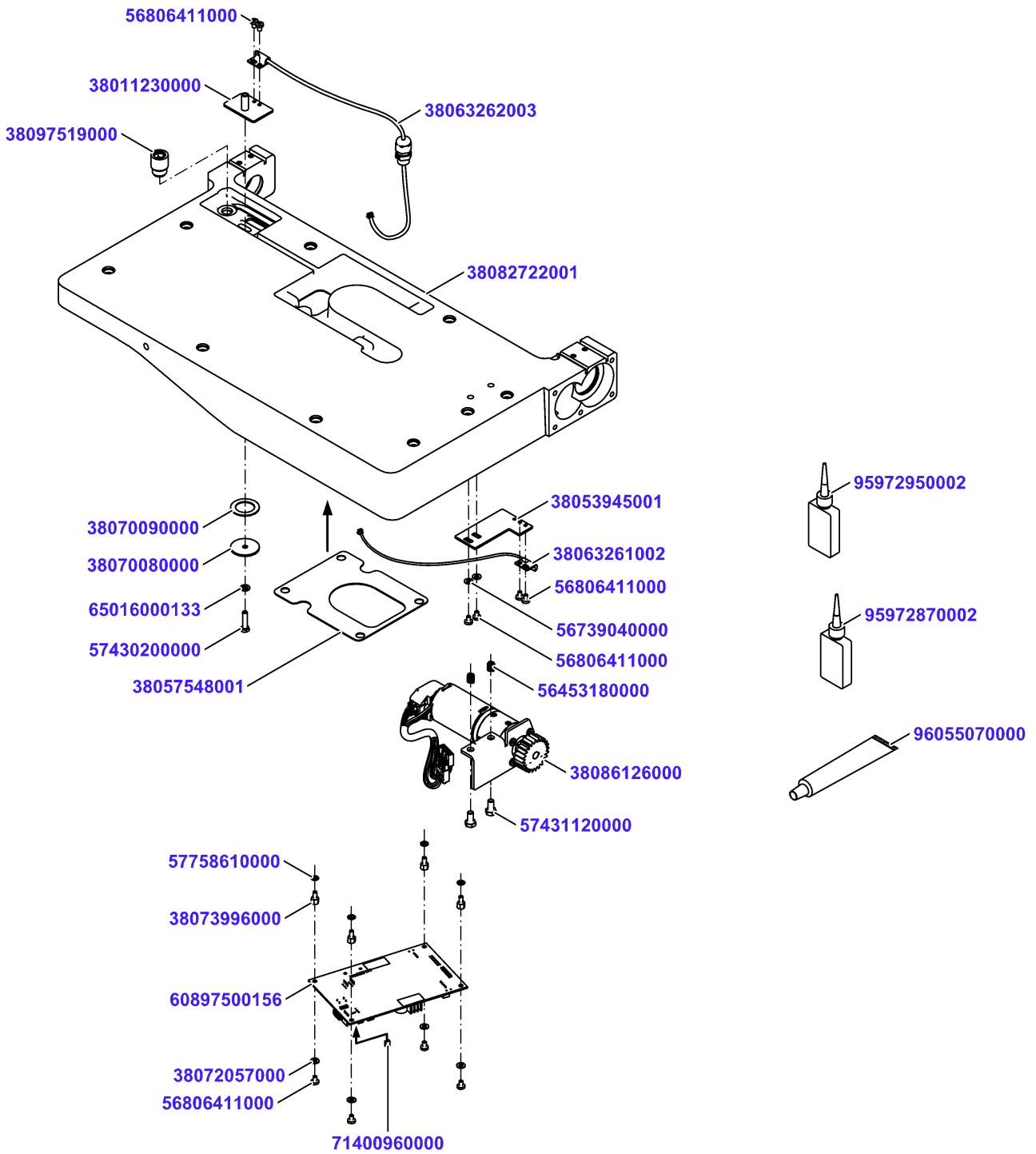
Carriage 400 cpl



Carriage 400 cpl

Material No.	Qty	Material description	available for order	Wear part	Recomm. sp. part	Metr. relevance
38082722002	1	Carriage 400 Cast machined	✓			
56453130000	9	Thread insert M5x7,5-A2	✓			
56366420002	1	Self-Aligning Ball Bearing 2202	✓			
57778700000	1	Retaining ring DIN472-35x1,5	✓			
50003410000	1	Wiper ring 30x20x7	✓			
38103488000	1	feed spindle ass.	✓			
50003410000	1	Wiper ring 30x20x7	✓			
56368320002	1	Angular bearing double-row 15x35x15,9	✓			
57778700000	1	Retaining ring DIN472-35x1,5	✓			
38074013000	1	Shim ring DIN988-25x35x0,1	✓			
38103484000	1	Gear Wheel	✓			
96055070000	0,001	Grease PARALIQ GA 343	✓			
38105347000	1	Parallel key DIN6885-A 5x3x14	✓			
60540260801	1	Washer	✓			
57630530000	1	Countersunk screw DIN963 M5x12-A2-70	✓			
95972950002	0,001	Loctite 243 50 ml	✓			
60540261000	1	bolt	✓			
38078241000	1	Gear Wheel	✓			
56360600000	2	Grooved ball bearing DIN625 10x26x8	✓			
57773750000	1	Retaining ring DIN471-10x1	✓			
38053972002	1	Guide Rail 400er	✓			
57630420000	4	Countersunk screw DIN963 M4x8-A2-70	✓			
71004520000	1	Flat Cabel Holder 3484-1000	✓			
38053948002	1	Flange	✓			
38060163002	1	Sealing	✓		✓	
57629520000	5	Countersunk screw DIN963 M5x10-A2-70	✓			
38061585002	1	sealing	✓		✓	
60540245701	1	guide shaft	✓			
57630620000	1	Countersunk screw DIN963 M6x12-A2-70	✓			
38100135001	1	Flat Seal Carriage Plate 400	✓		✓	
38057528001	1	Cover 255,4x177,4x2	✓			
38057559001	1	Seal Cover	✓		✓	
56972480000	10	Mushroom head screw M4x8-A2-70 Tuflok	✓			

Carriage 400 cpl



Carriage 400 cpl

Material No.	Qty	Material description	available for order	Wear part	Recomm. sp. part	Metr. relevance
56453180000	2	Threaded insert M6x9	✓			
96055070000	0,001	Grease PARALIQ GA 343	✓			
95972950002	0,001	Loctite 243 50 ml	✓			
38053945001	1	Board	✓			
38063261002	1	Sensor product feeding 1 VSI	✓			
56806411000	4	Oval-head screw ISO14583 M4x6-A2-70-T20	✓			
56739040000	2	Washer DIN125-A 4.3-A2-70	✓			
38011230000	1	Board cpl	✓			
38063262003	1	Sensor product feeding 2 VSI	✓			
56806411000	2	Oval-head screw ISO14583 M4x6-A2-70-T20	✓			
38070080000	1	Washer	✓			
38070090000	1	Sealing	✓		✓	
57430200000	1	Hexagon screw DIN933 M5x20 A2-70	✓			
65016000133	1	Washer 5-PA	✓			
38097519000	1	Sleeve 18 x 10 x 24.25	✓			
95972870002	0,001	Loctite 638	✓			
38086126000	1	Motor Product Feeding BG42x15 cpl	✓			
57431120000	2	Hexagon screw DIN933 M6x12 A2-70	✓			
71400960000	1	Short Circuit Bracket 3131 731000406	✓		✓	
57758610000	4	Toothed washer DIN6797-A 4,3-Fst	✓			
38073996000	4	Distance bolt SW7x6 M4-M4 In-Out	✓			
56806411000	4	Oval-head screw ISO14583 M4x6-A2-70-T20	✓			
38072057000	4	Washer DIN125-A-4-PA6	✓			
38057548001	1	Seal	✓		✓	

Carriage 400 cpl

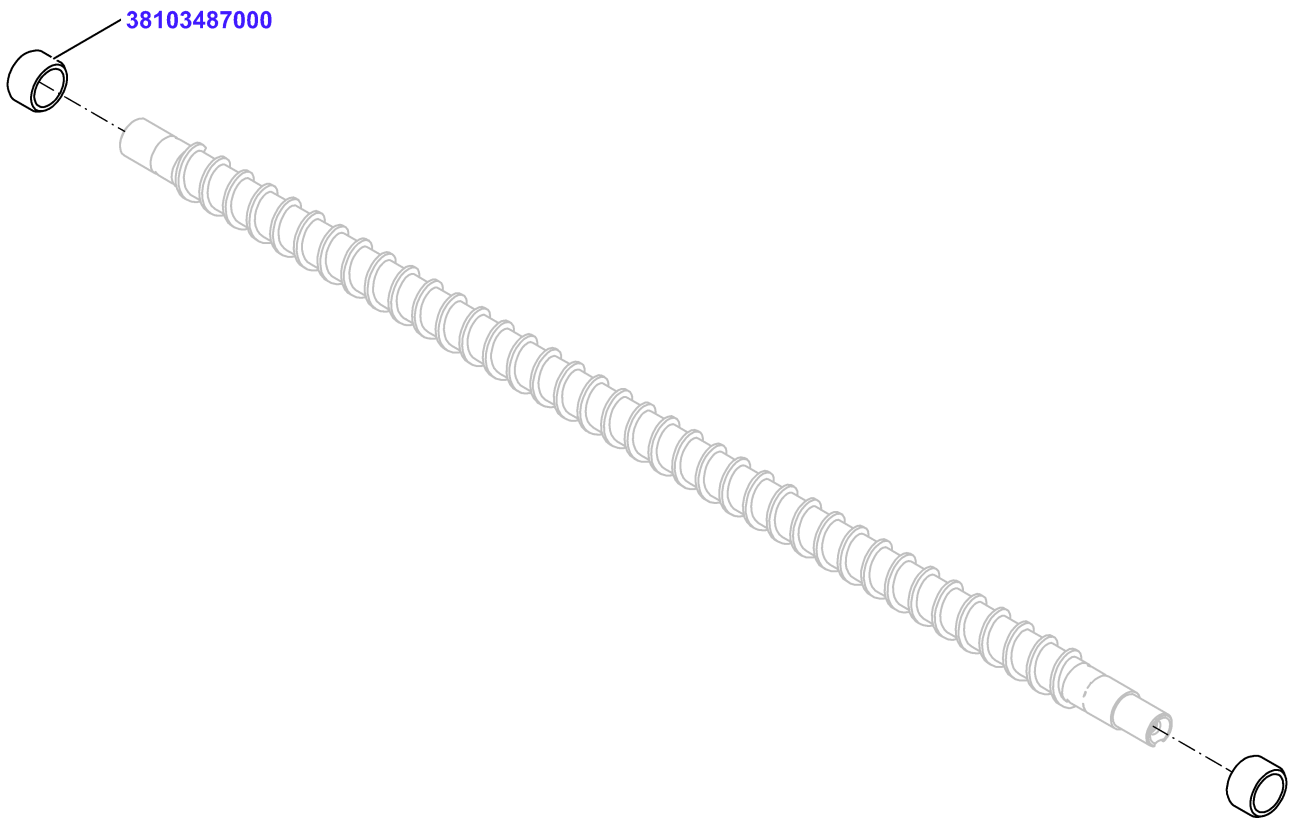
Carriage 400 cpl

Material No.	Qty	Material description
60897500157	1	PCBAP MC 3ph 2ch lv bus

available for order
Wear part
Recomm. sp. part
Metr. relevance




feed spindle ass.

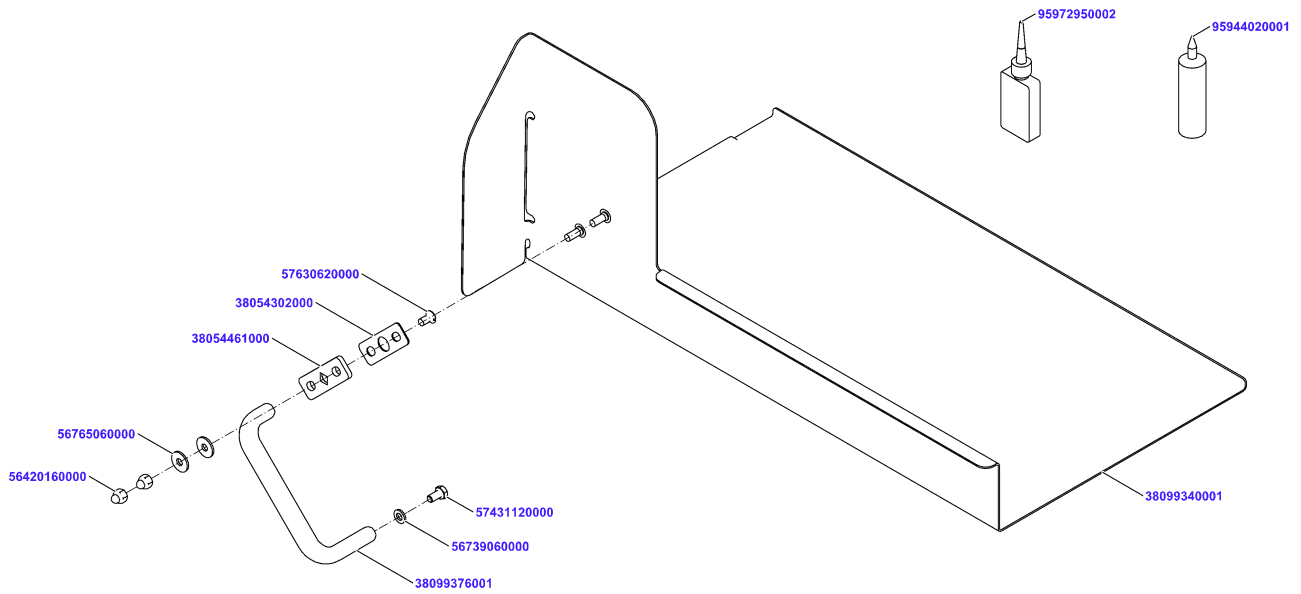


feed spindle ass.

Material No.	Qty	Material description
38103487000	2	Ring

	available for order	Wear part	Recomm. sp. part	Metr. relevance
---	---------------------	-----------	------------------	-----------------

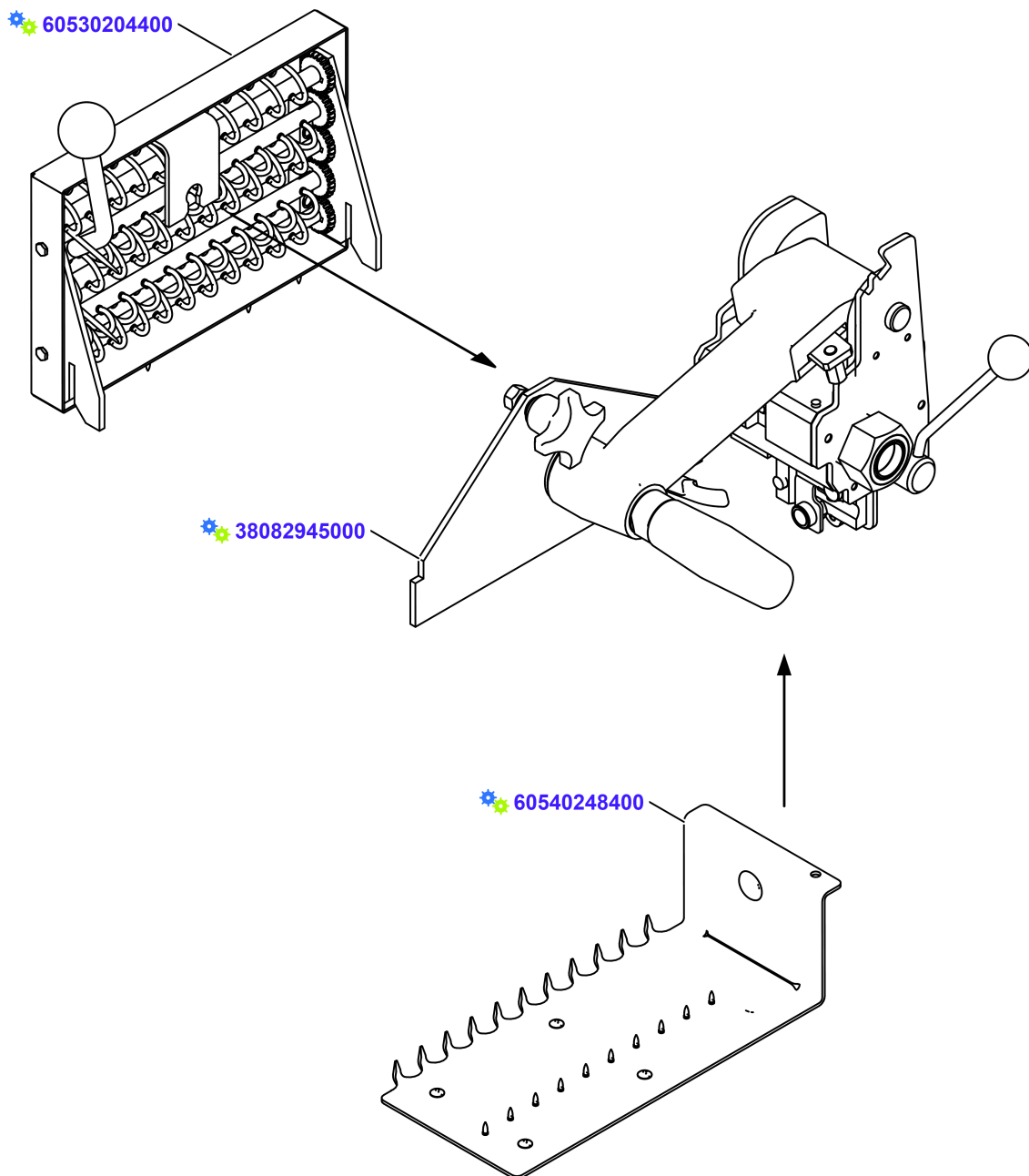
Carriage Plate 400 preass






Carriage Plate 400 preass

Material No.	Qty	Material description	available for order	Wear part	Recomm. sp. part	Metr. relevance
38099340001	1	Carriage Plate welded	✓			
38099376001	1	Handle	✓			
38054461000	1	Plate	✓			
38054302000	1	Gasket	✓		✓	
95944020001	10	Silicone Rubber Elastosil E41 90ml	✓			
57630620000	1	Countersunk screw DIN963 M6x12-A2-70	✓			
95972950002	0,001	Loctite 243 50 ml	✓			
56420160000	2	Cap nut DIN986-M6-A2	✓			
56765060000	2	Washer DIN9021-6-A2	✓			
57431120000	1	Hexagon screw DIN933 M6x12 A2-70	✓			
56739060000	1	Washer DIN125-A-6-A2	✓			

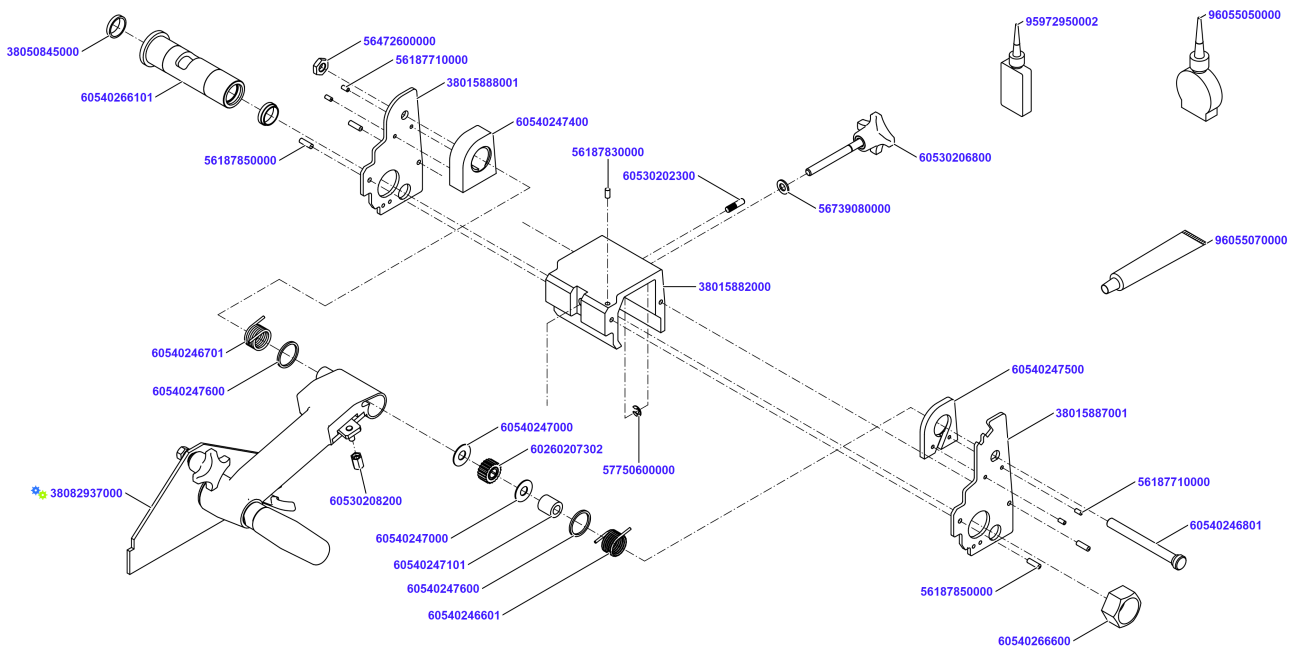
Product Holder folding upwards cpl



Product Holder folding upwards cpl

Material No.	Qty	Material description	available for order	Wear part	Recomm. sp. part	Metr. relevance
38082945000	1	Product Holder folding upwards preass				
60540248400	1	product supporting plate ass.				
60530204400	1	Product holder ass.				

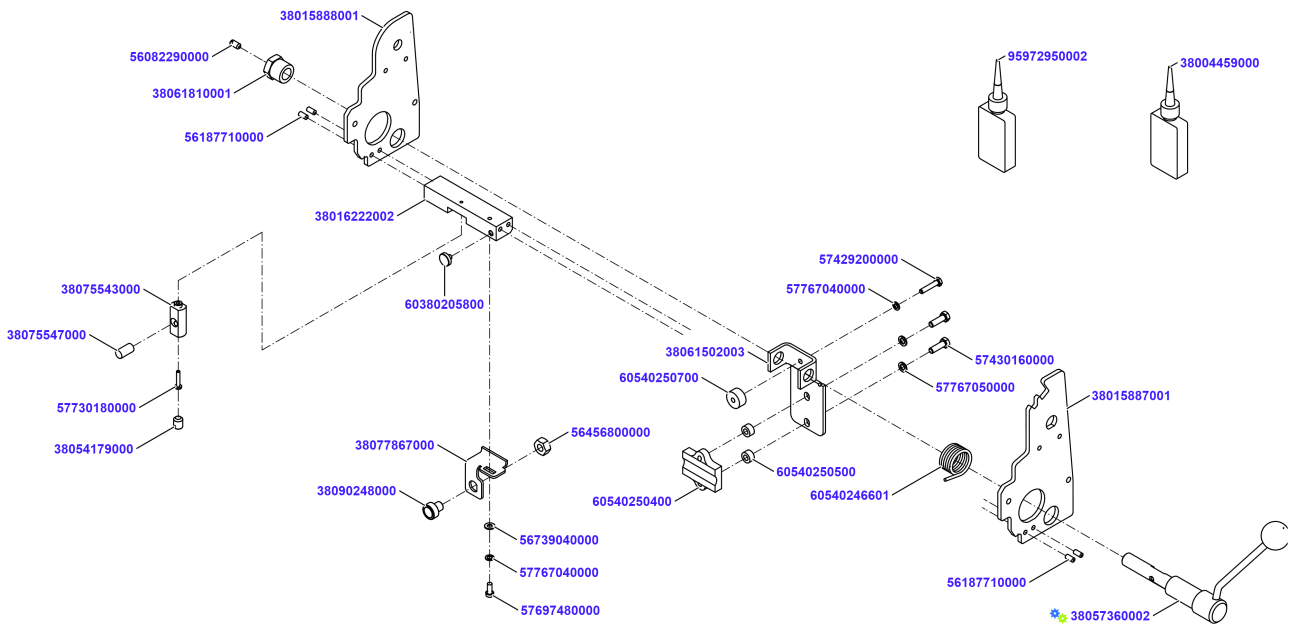
Product Holder folding upwards preass



Product Holder folding upwards preass

Material No.	Qty	Material description	available for order	Wear part	Recomm. sp. part	Metr. relevance
38015882000	1	Product Holder Guide				
56187830000	1	Cylindrical pin EN 22338-5m6x10-A2				
60530202300	1	PIN				
60530206800	1	locking handle assembled				
56739080000	1	Washer DIN125-A-8-A2				
57750600000	1	Retaining washer DIN6799-6				
38015887001	1	Side Cover left				
38015888001	1	Side Cover right				
38050845000	2	Deflector Ring				
60540266600	1	hex nut				
56187850000	4	Cylindrical pin EN 22338-5m6x16-A2				
60540246601	1	Torsion spring left				
95972950002	0,001	Loctite 243 50 ml				
56187710000	4	Cylindrical pin EN 22338-4m6x8-A2				
38082937000	1	Lever compl for the Product Holder				
60540247000	2	washer				
60540246801	1	Shaft				
56472600000	1	Hexagon nut DIN439-M10x1-A2-70				
60530208200	1	cap nut				
60540246601	1	Torsion spring left				
60540246701	1	Torsion spring right				
60540247101	1	spacer bushing				
60540247400	1	counter bearing				
60540247500	1	counter bearing				
60540247600	2	washer				
60260207302	1	Control Gear				
56187710000	4	Cylindrical pin EN 22338-4m6x8-A2				
96055070000	0,001	Grease PARALIQ GA 343				
96055050000	0,001	Lubricating Oil F.L.5 Oil UH1				

Product Holder folding upwards press



Product Holder folding upwards preass

Material No.	Qty	Material description	available for order	Wear part	Recomm. sp. part	Metr. relevance
38015887001	1	Side Cover left	✓			
38015888001	1	Side Cover right	✓			
38057360002	1	Bolt cpl	✓			
38061502003	1	Holder	✓			
60540246601	1	Torsion spring left	✓			
60540250700	1	actuator	✓			
57767040000	1	Spring lock washer DIN128-A4-FSt	✓			
57429200000	1	Hexagon screw DIN933 M4x20 A2-70	✓			
60540250500	2	WASHER	✓			
57430160000	2	Hexagon screw DIN933 M5x16 A2-70	✓			
57767050000	2	Spring lock washer DIN128-A5-FSt	✓			
95972950002	0,001	Loctite 243 50 ml	✓			
38061810001	1	Screw Nut	✓			
38004459000	0,001	Loctite 648	✓			
56082290000	1	Set screw DIN438 M5x10-A2-70	✓			
38016222002	1	Bar	✓			
60380205800	1	SLIDE PIN	✓			
56187710000	4	Cylindrical pin EN 22338-4m6x8-A2	✓			
38077867000	1	Magnet Base	✓			
38090248000	1	Magnet Vacodym 370 wz round 10x4 preass	✓		✓	
56456800000	1	Hexagon nut DIN934-M8-A2	✓			
57697480000	1	Cylinder screw DIN84 M4x10-A2-70	✓			
56739040000	1	Washer DIN125-A 4.3-A2-70	✓			
57767040000	1	Spring lock washer DIN128-A4-FSt	✓			
60540246601	1	Torsion spring left	✓			
56187710000	4	Cylindrical pin EN 22338-4m6x8-A2	✓			
38075543000	1	Mounting Pin	✓			
57730180000	1	Oval-head screw ISO14583 M3x16-A2-70-T10	✓			
38075547000	1	Parallel Pin 8x15	✓			
38054179000	1	Set screw DIN438 M8x10-A2-70	✓			

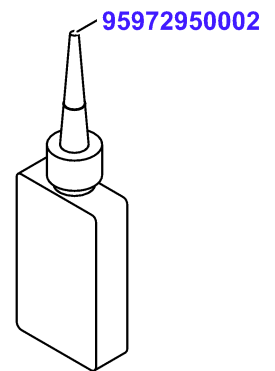
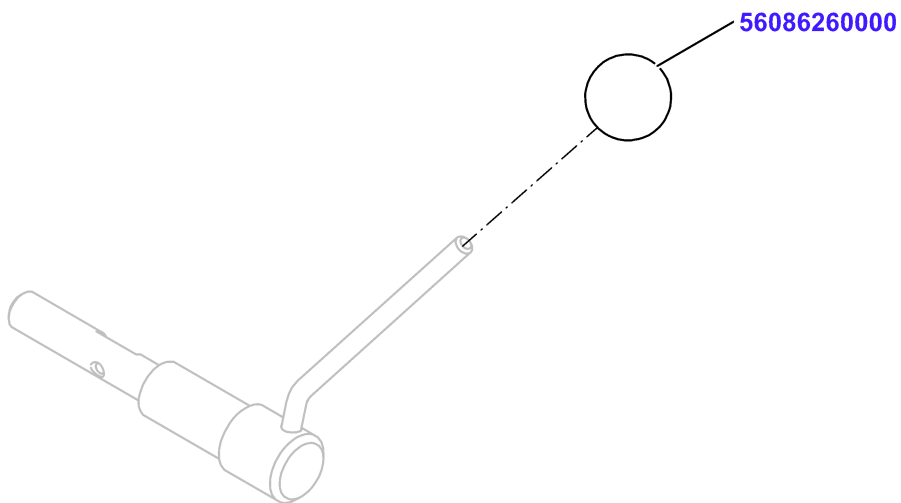
Product Holder folding upwards preass

Product Holder folding upwards preass

Material No.	Qty	Material description
60540266102	1	Bushing complete
60540250402	1	Nut Plate

available for order	Wear part	Recomm. sp. part	Metr. relevance

Bolt cpl

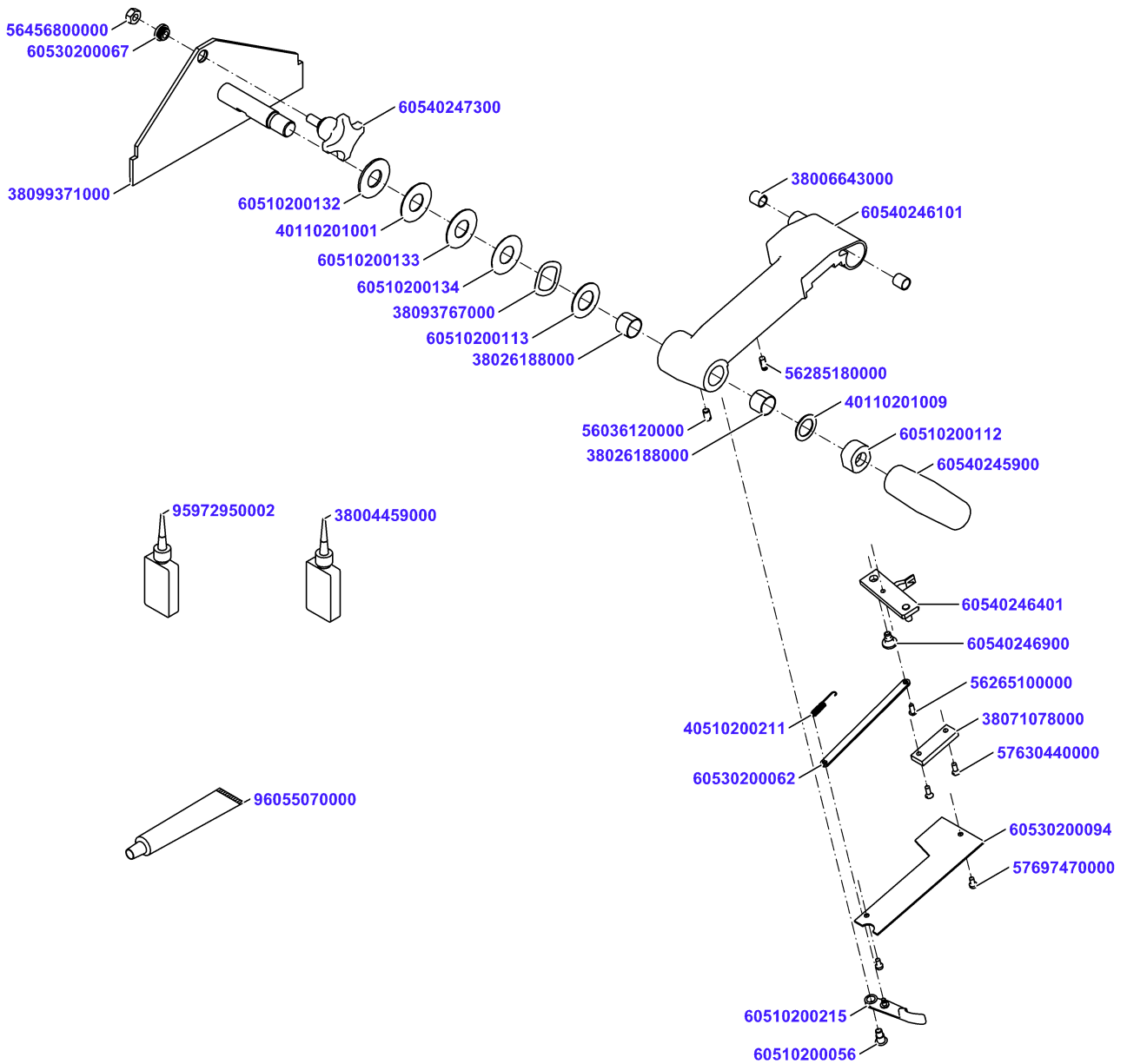


Bolt cpl

Material No.	Qty	Material description
56086260000	1	Ball knob DIN319 M6x25 I
95972950002	0,001	Loctite 243 50 ml

available for order
Wear part
Recomm. sp. part
Metr. relevance

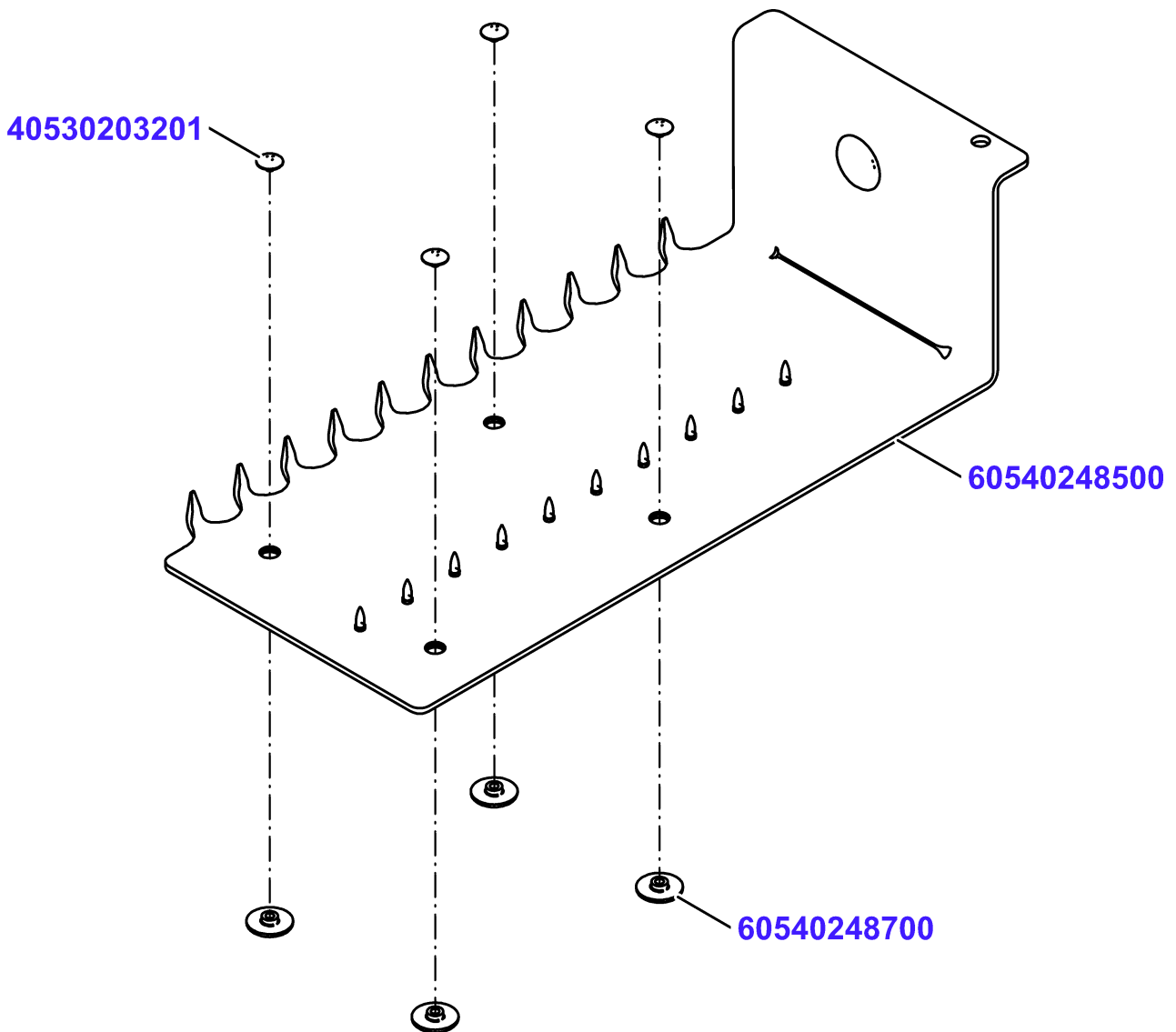
Lever compl for the Product Holder



Lever compl for the Product Holder

Material No.	Qty	Material description	available for order	Wear part	Recomm. sp. part	Metr. relevance
38132202000	1	Lever with pin				
96055070000	0,001	Grease PARALIQ GA 343				
56739060000	1	Washer DIN125-A-6-A2				
38026188000	2	Plain bearing 18x20x15				
38006643000	2	Plain bearing 10x12x12				
56285180000	1	Grooved Pin DIN 1469-C5x14-6.8				
40510200211	1	tension spring				
60540246401	1	locking device, welded				
60530200062	1	mounting link				
56265100000	1	Round-Head Nail DIN 1476-4x10-A2-70				
60540246900	1	pan head screw				
60510200056	1	Pan head screw M6x7,1x7				
38071078000	1	bar				
57630440000	2	Countersunk screw DIN963 M4x12-A2-70				
60530200094	1	cover plate				
57697470000	2	Cylinder screw DIN84 M4x8-A2-70				
38099371000	1	Bearing rail preass.				
60530200067	1	collar nut				
60540247300	1	Star knob M8x18,5				
56456800000	1	Hexagon nut DIN934-M8-A2				
60510200113	1	washer 20 (1mm)				
40110201002	1	Washer 40x18,15x1 - POM				
60510200132	1	Washer				
60510200133	1	Washer 1 mm				
40110201009	1	Washer				
60510200134	1	washer 0,5mm				
60510200112	1	lock nut				
60540245900	1	Handhold 91x28 M16x1 - PA6 black				
56036120000	1	Set screw DIN551 M6x12-14H				
96055070000	0,020	Grease PARALIQ GA 343				
38004459000	0,001	Loctite 648				
95972950002	0,001	Loctite 243 50 ml				
38093767000	1	Wave Washer 36x25,2x3				
60540246101	1	lever ass.				

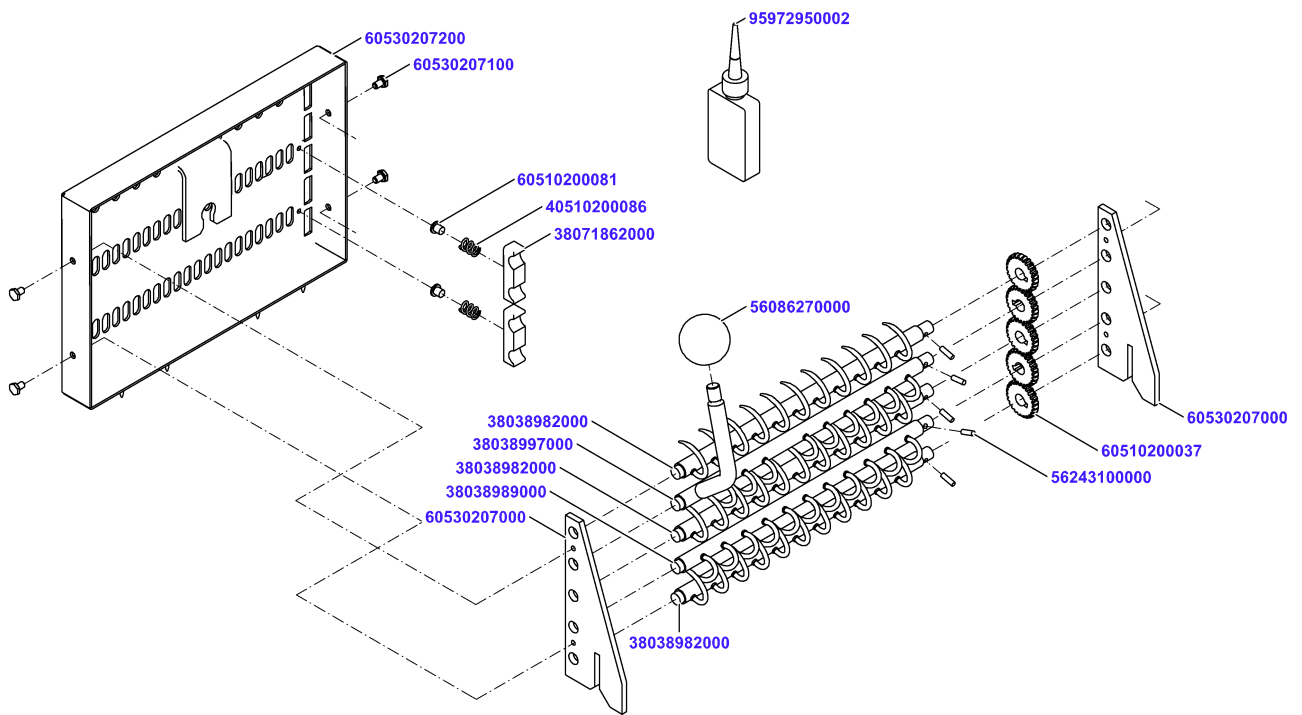
product supporting plate ass.
















product supporting plate ass.

Material No.	Qty	Material description	available for order	Wear part	Recomm. sp. part	Metr. relevance
60540248500	1	product supporting plate welded				
40530203201	4	push button				
60540248700	4	glide piece				

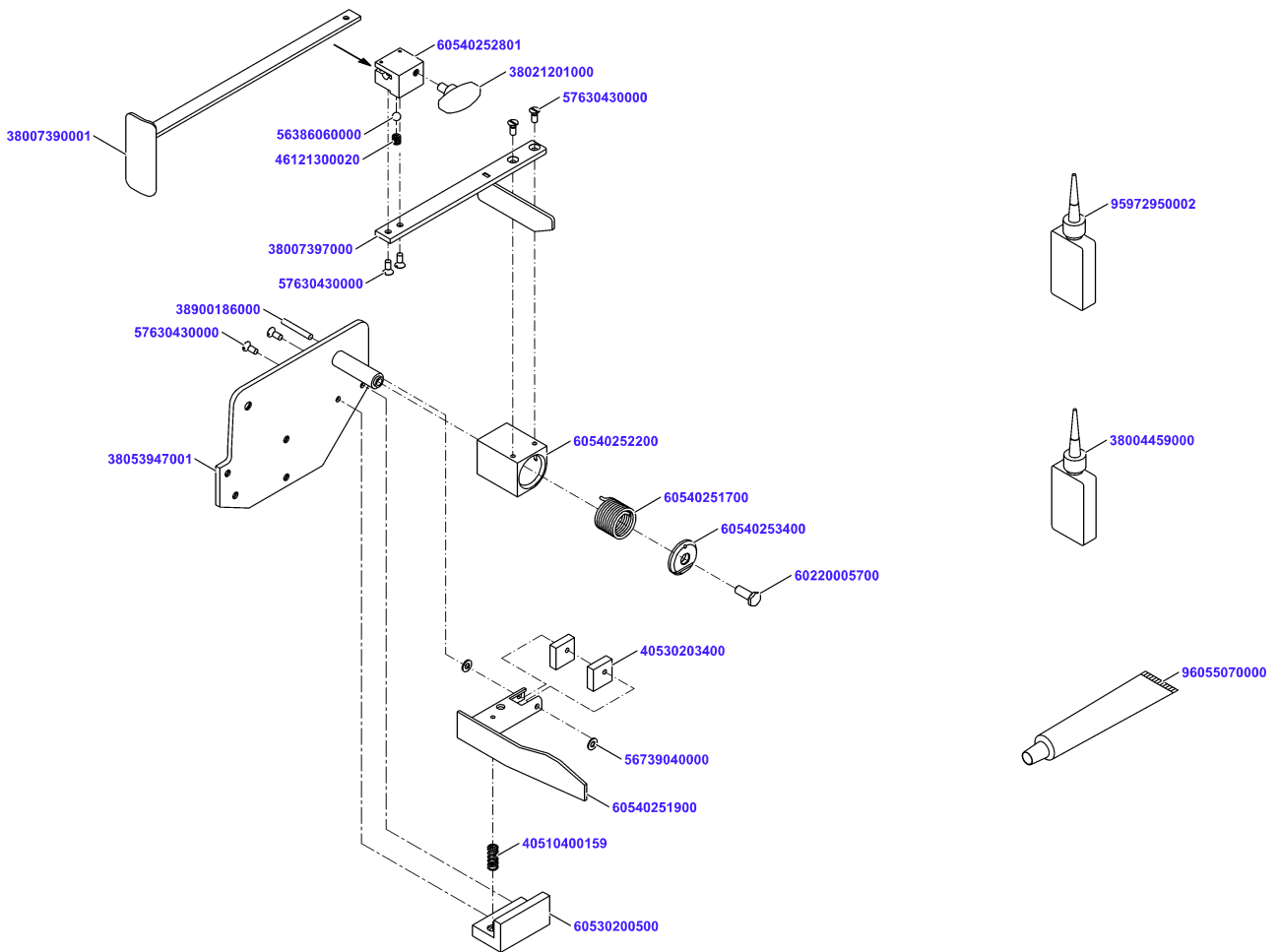
Product holder ass.
























Product holder ass.

Material No.	Qty	Material description	available for order	Wear part	Recomm. sp. part	Metr. relevance
60530207200	1	product holder housing preass.				
60510200081	2	collar stud				
60530207000	2	side frame				
38038982000	3	Gripper Shaft cpl.				
38038989000	1	Gripper Shaft cpl.				
38038997000	1	Gripper Shaft cpl.				
56086270000	1	Ball knob DIN319 M8x32 I				
56243100000	5	Cylindrical pin EN 22338-3h11x10-A2				
60510200037	5	Pinion				
40510200086	2	Pressure spring				
38071862000	2	brake pad				
60530207100	4	Hexagon Screw M4x6 A2-70 Hygiene				
95972950002	0,001	Loctite 243 50 ml				

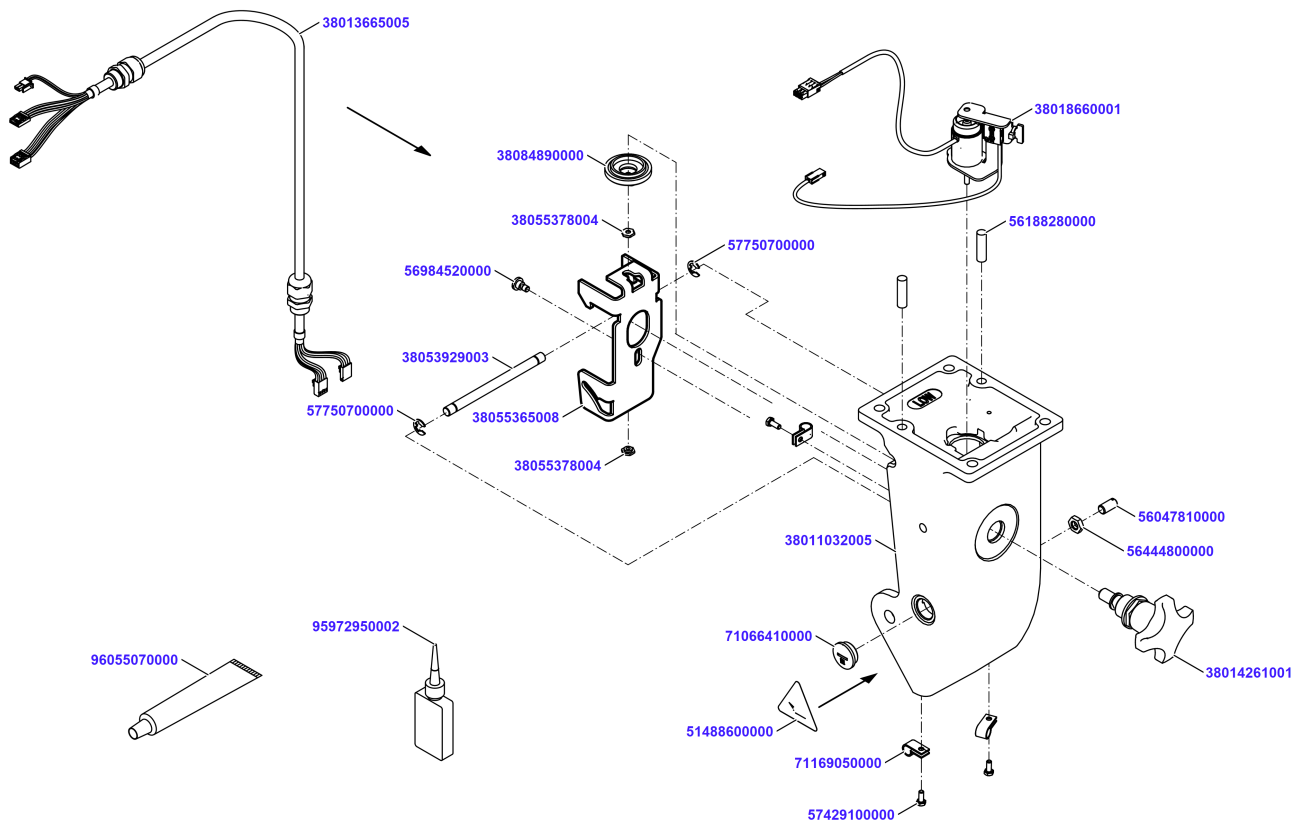
Product Supporter horizontal cpl



Product Supporter horizontal cpl

Material No.	Qty	Material description	available for order	Wear part	Recomm. sp. part	Metr. relevance
38053947001	1	Mounting with Shaft				
60540251900	1	Lever welded complete				
40530203400	2	buffer				
38900186000	1	Cylindrical pin DIN7-4m6x28-A2				
56739040000	2	Washer DIN125-A 4.3-A2-70				
40510400159	1	pressure spring				
60530200500	1	supporting angle				
57630430000	6	Countersunk screw DIN963 M4x10-A2-70				
95972950002	0,001	Loctite 243 50 ml				
60540252200	1	hub preass.				
60540251700	1	spring				
96055070000	0,005	Grease PARALIQ GA 343				
60540253400	1	tightening disk				
60220005700	1	hexagon screw oval-head M 6x16				
38004459000	0,001	Loctite 648				
38007397000	1	Cantilever welded				
60540252801	1	take up device preassembled				
56386060000	1	Ball DIN5401 6-1.4034				
46121300020	1	PRESSURE SPRING 6121300020				
38021201000	1	Wing screw M6x10-1.4308				
38007390001	1	Holder welded				

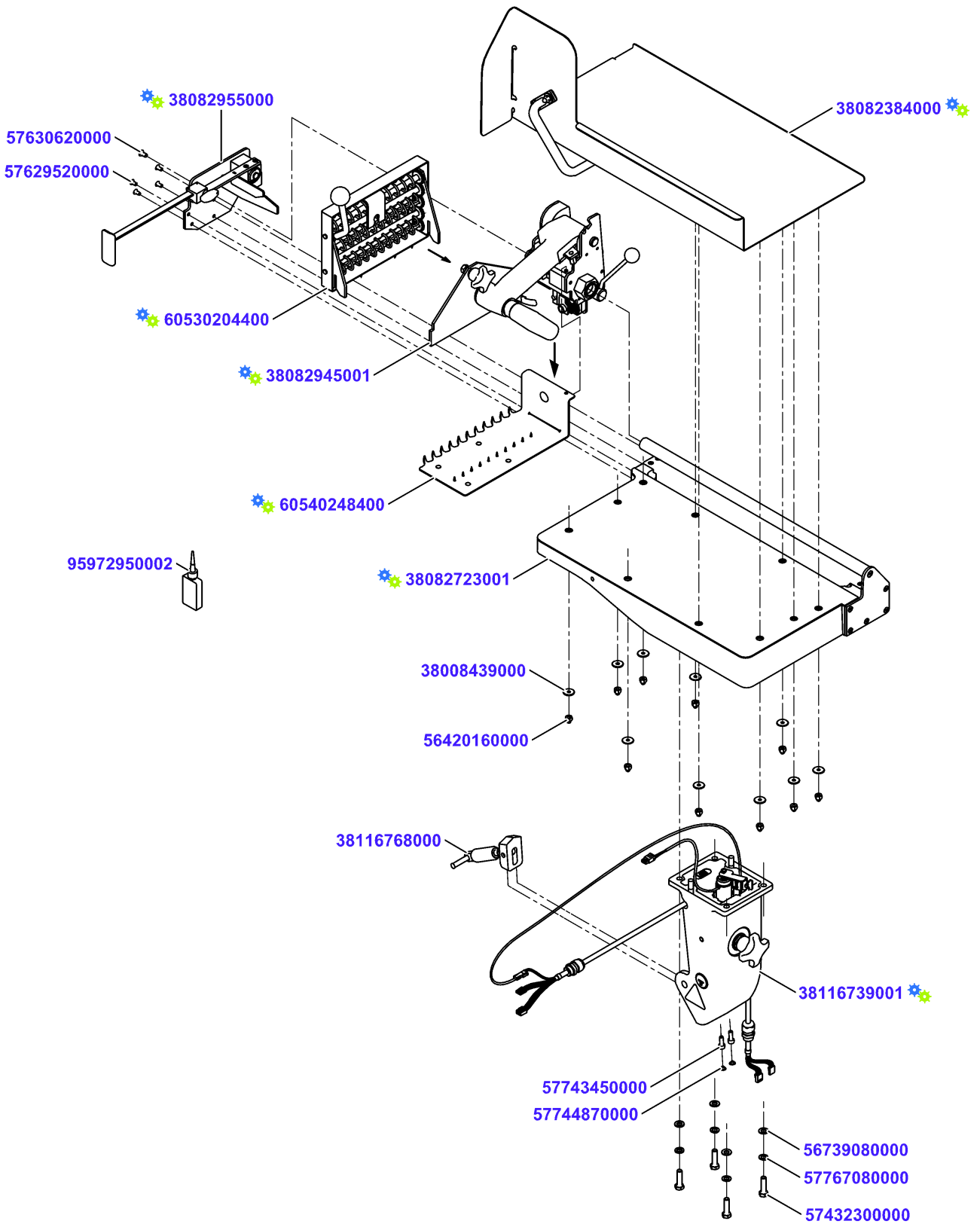
Carriage Foot low cpl



Carriage Foot low cpl

Material No.	Qty	Material description	available for order	Wear part	Recomm. sp. part	Metr. relevance
38011032005	1	Carriage Foot low mach	✓			
56188280000	2	Cylindrical pin EN 22338-8m6x28-A2	✓			
56047810000	1	Set screw DIN551 M8x16-PA 66	✓			
56444800000	1	Hexagon nut DIN439-M8-A2	✓			
38018660001	1	Magnet preass	✓	✓	✓	
38084890000	1	Cap preass	✓			
38055378004	2	Hexagon nut	✓			
95972950002	0,001	Loctite 243 50 ml	✓			
38055365008	1	Interlock	✓			
96055070000	0,001	Grease PARALIQ GA 343	✓			
56984520000	1	Pan head screw DIN923 M5x4A2-70	✓			
71066410000	1	Plug Round M20x1.5	✓			
38014261001	1	Handle preass	✓			
38053929003	1	Stop Bolt	✓			
57750700000	2	Retaining washer DIN6799-7	✓			
71169050000	3	Cable Clamp nylon 7,4mm NK-5N	✓			
38013665005	1	Ka Rd 12x24AWG 0,87m	✓			
57429100000	3	Hexagon screw DIN933 M4x10 A2-70	✓			
51488600000	1	Warning Plate Hand Injury 7.29K	✓			

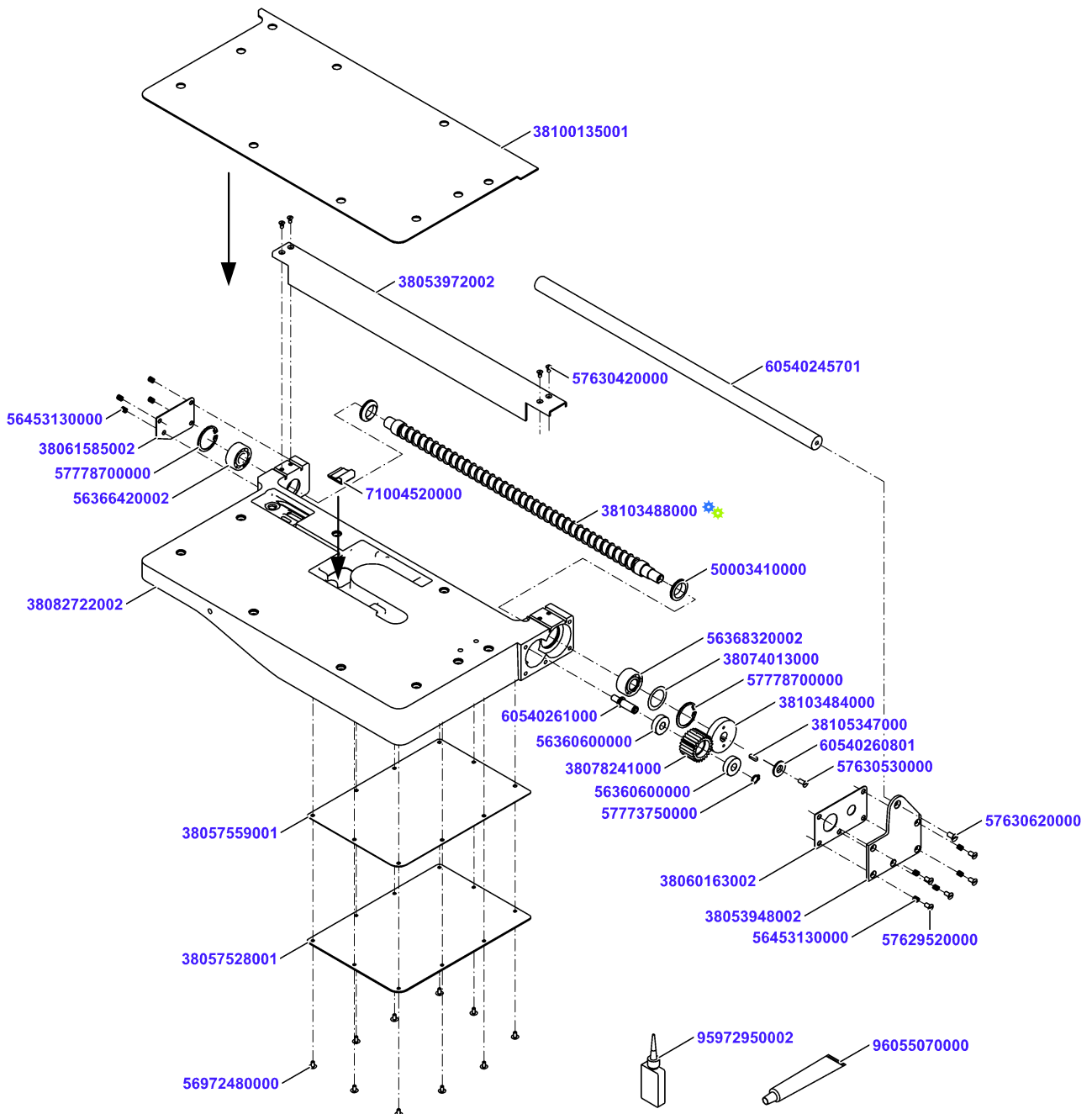
Carriage 400 with Peaks



Carriage 400 with Peaks

Material No.	Qty	Material description	available for order	Wear part	Recomm. sp. part	Metr. relevance
38082723001	1	Carriage 400 cpl				
38082384000	1	Carriage Plate 400 preass	✓			
56420160000	10	Cap nut DIN986-M6-A2	✓			
38008439000	10	Sealing washer M6	✓		✓	
38082955000	1	Product Supporter horizontal cpl	✓			
57629520000	4	Countersunk screw DIN963 M5x10-A2-70	✓			
57630620000	1	Countersunk screw DIN963 M6x12-A2-70	✓			
38116739001	1	Carriage Foot low cpl.	✓			
57432300000	4	Hexagon screw DIN933 M8x30 A2-70	✓			
57767080000	4	Spring lock washer DIN128-A8-A2	✓			
56739080000	4	Washer DIN125-A-8-A2	✓			
38116768000	1	Gas pressure spring carriage 400 cpl	✓		✓	
57743450000	2	Cylinder screw DIN912 M6x16-A2-70	✓			
95972950002	0,001	Loctite 243 50 ml	✓			
57744870000	2	Protective plug 10x5,2x3,1-PE	✓		✓	
38082945001	1	Product Holder folding upwards preass.	✓			
60530204400	1	Product holder ass.	✓			
60540248400	1	product supporting plate ass.	✓			

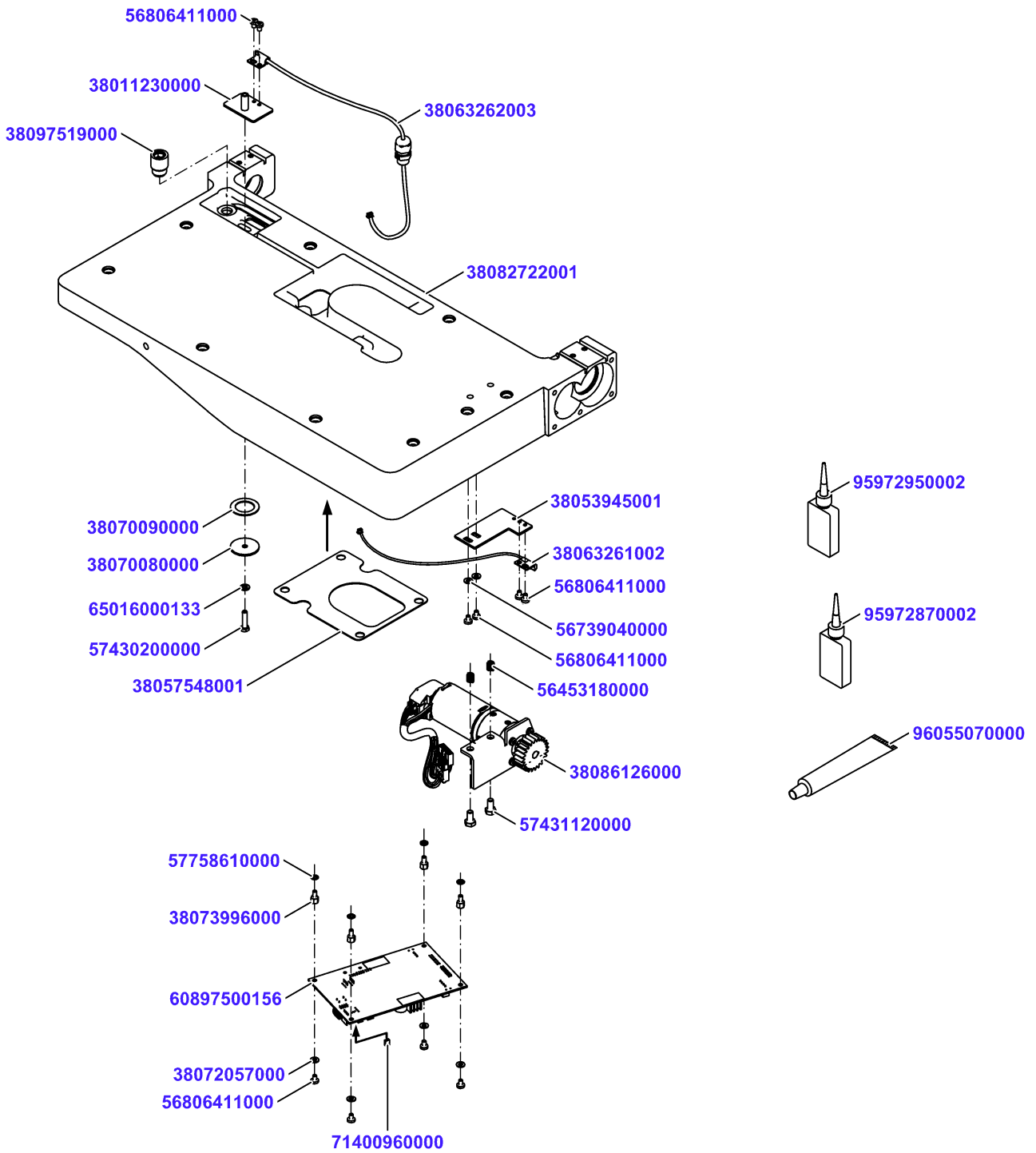
Carriage 400 cpl



Carriage 400 cpl

Material No.	Qty	Material description	available for order	Wear part	Recomm. sp. part	Metr. relevance
38082722002	1	Carriage 400 Cast machined	✓			
56453130000	9	Thread insert M5x7,5-A2	✓			
56366420002	1	Self-Aligning Ball Bearing 2202	✓			
57778700000	1	Retaining ring DIN472-35x1,5	✓			
50003410000	1	Wiper ring 30x20x7	✓			
38103488000	1	feed spindle ass.	✓			
50003410000	1	Wiper ring 30x20x7	✓			
56368320002	1	Angular bearing double-row 15x35x15,9	✓			
57778700000	1	Retaining ring DIN472-35x1,5	✓			
38074013000	1	Shim ring DIN988-25x35x0,1	✓			
38103484000	1	Gear Wheel	✓			
96055070000	0,001	Grease PARALIQ GA 343	✓			
38105347000	1	Parallel key DIN6885-A 5x3x14	✓			
60540260801	1	Washer	✓			
57630530000	1	Countersunk screw DIN963 M5x12-A2-70	✓			
95972950002	0,001	Loctite 243 50 ml	✓			
60540261000	1	bolt	✓			
38078241000	1	Gear Wheel	✓			
56360600000	2	Grooved ball bearing DIN625 10x26x8	✓			
57773750000	1	Retaining ring DIN471-10x1	✓			
38053972002	1	Guide Rail 400er	✓			
57630420000	4	Countersunk screw DIN963 M4x8-A2-70	✓			
71004520000	1	Flat Cabel Holder 3484-1000	✓			
38053948002	1	Flange	✓			
38060163002	1	Sealing	✓		✓	
57629520000	5	Countersunk screw DIN963 M5x10-A2-70	✓			
38061585002	1	sealing	✓		✓	
60540245701	1	guide shaft	✓			
57630620000	1	Countersunk screw DIN963 M6x12-A2-70	✓			
38100135001	1	Flat Seal Carriage Plate 400	✓		✓	
38057528001	1	Cover 255,4x177,4x2	✓			
38057559001	1	Seal Cover	✓		✓	
56972480000	10	Mushroom head screw M4x8-A2-70 Tuflok	✓			

Carriage 400 cpl




Carriage 400 cpl

Material No.	Qty	Material description	available for order	Wear part	Recomm. sp. part	Metr. relevance
56453180000	2	Threaded insert M6x9	✓			
96055070000	0,001	Grease PARALIQ GA 343	✓			
95972950002	0,001	Loctite 243 50 ml	✓			
38053945001	1	Board	✓			
38063261002	1	Sensor product feeding 1 VSI	✓			
56806411000	4	Oval-head screw ISO14583 M4x6-A2-70-T20	✓			
56739040000	2	Washer DIN125-A 4.3-A2-70	✓			
38011230000	1	Board cpl	✓			
38063262003	1	Sensor product feeding 2 VSI	✓			
56806411000	2	Oval-head screw ISO14583 M4x6-A2-70-T20	✓			
38070080000	1	Washer	✓			
38070090000	1	Sealing	✓		✓	
57430200000	1	Hexagon screw DIN933 M5x20 A2-70	✓			
65016000133	1	Washer 5-PA	✓			
38097519000	1	Sleeve 18 x 10 x 24.25	✓			
95972870002	0,001	Loctite 638	✓			
38086126000	1	Motor Product Feeding BG42x15 cpl	✓			
57431120000	2	Hexagon screw DIN933 M6x12 A2-70	✓			
71400960000	1	Short Circuit Bracket 3131 731000406	✓		✓	
57758610000	4	Toothed washer DIN6797-A 4,3-Fst	✓			
38073996000	4	Distance bolt SW7x6 M4-M4 In-Out	✓			
56806411000	4	Oval-head screw ISO14583 M4x6-A2-70-T20	✓			
38072057000	4	Washer DIN125-A-4-PA6	✓			
38057548001	1	Seal	✓		✓	

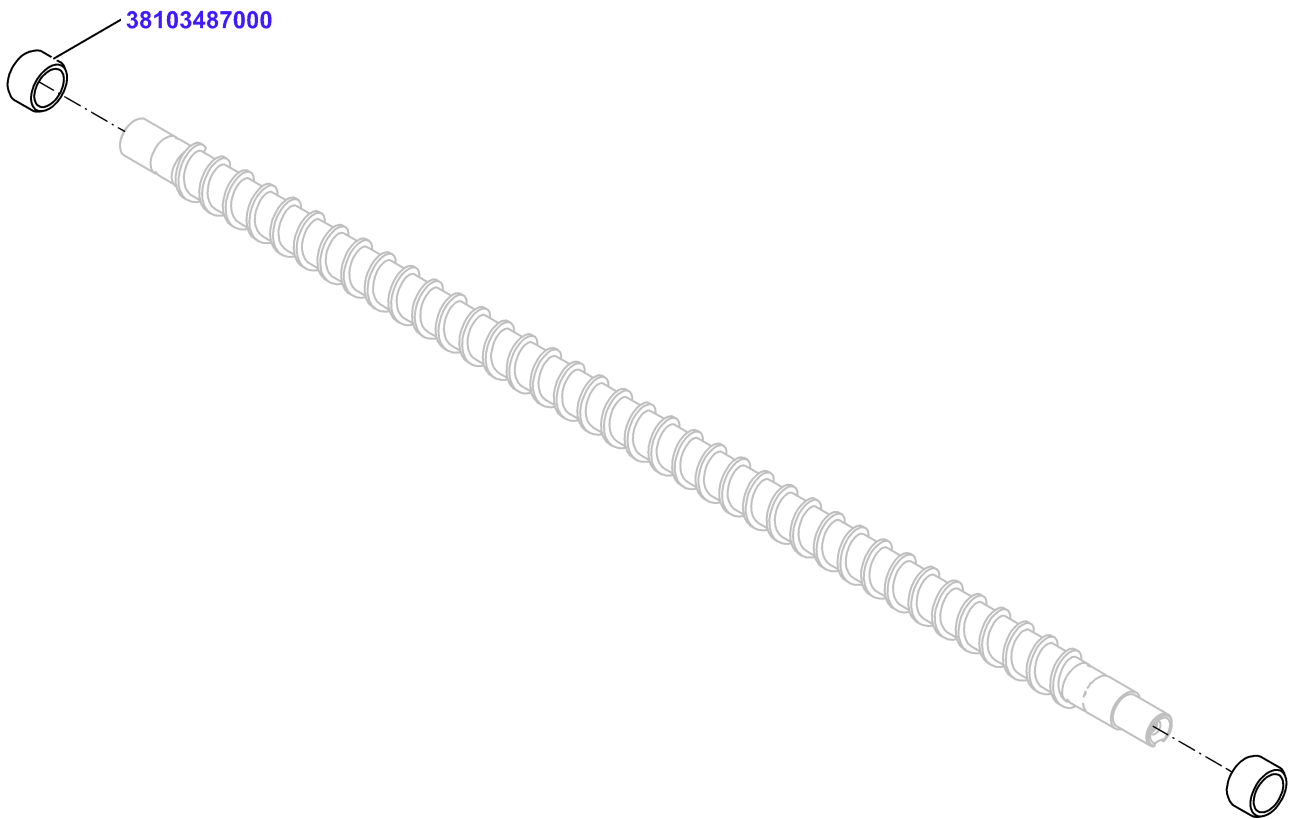
Carriage 400 cpl

Carriage 400 cpl

Material No.	Qty	Material description
60897500157	1	PCBAP MC 3ph 2ch lv bus

	available for order
	Wear part
	Recomm. sp. part
	Metr. relevance

feed spindle ass.

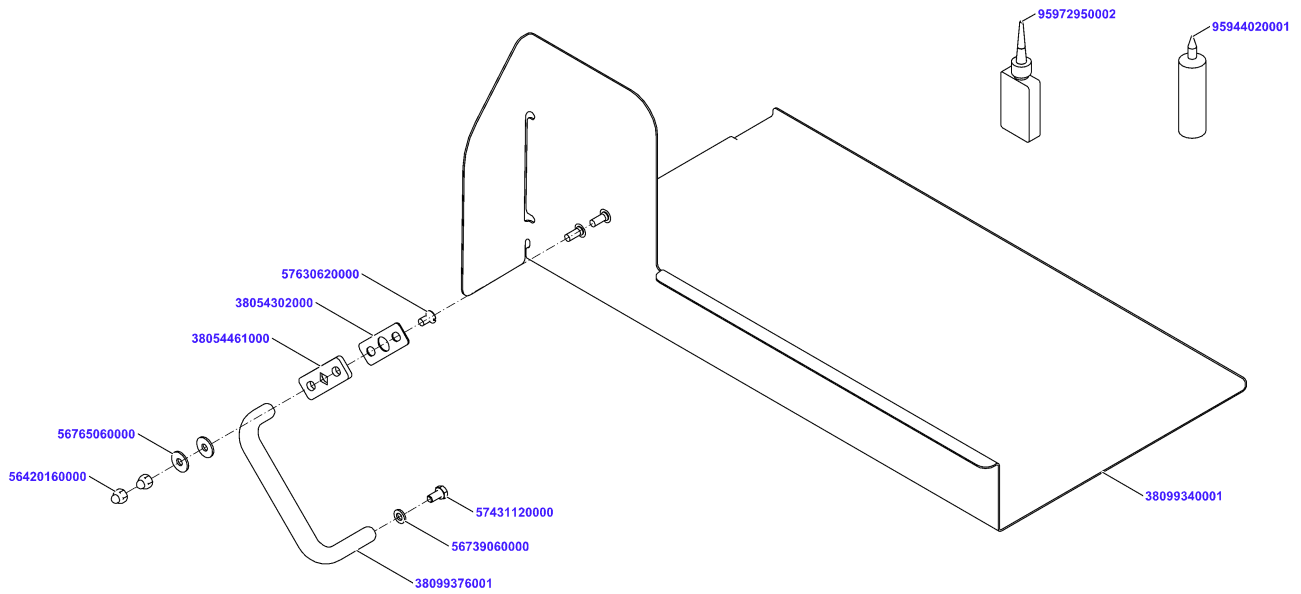


feed spindle ass.

Material No.	Qty	Material description
38103487000	2	Ring

available for order
Wear part
Recomm. sp. part
Metr. relevance

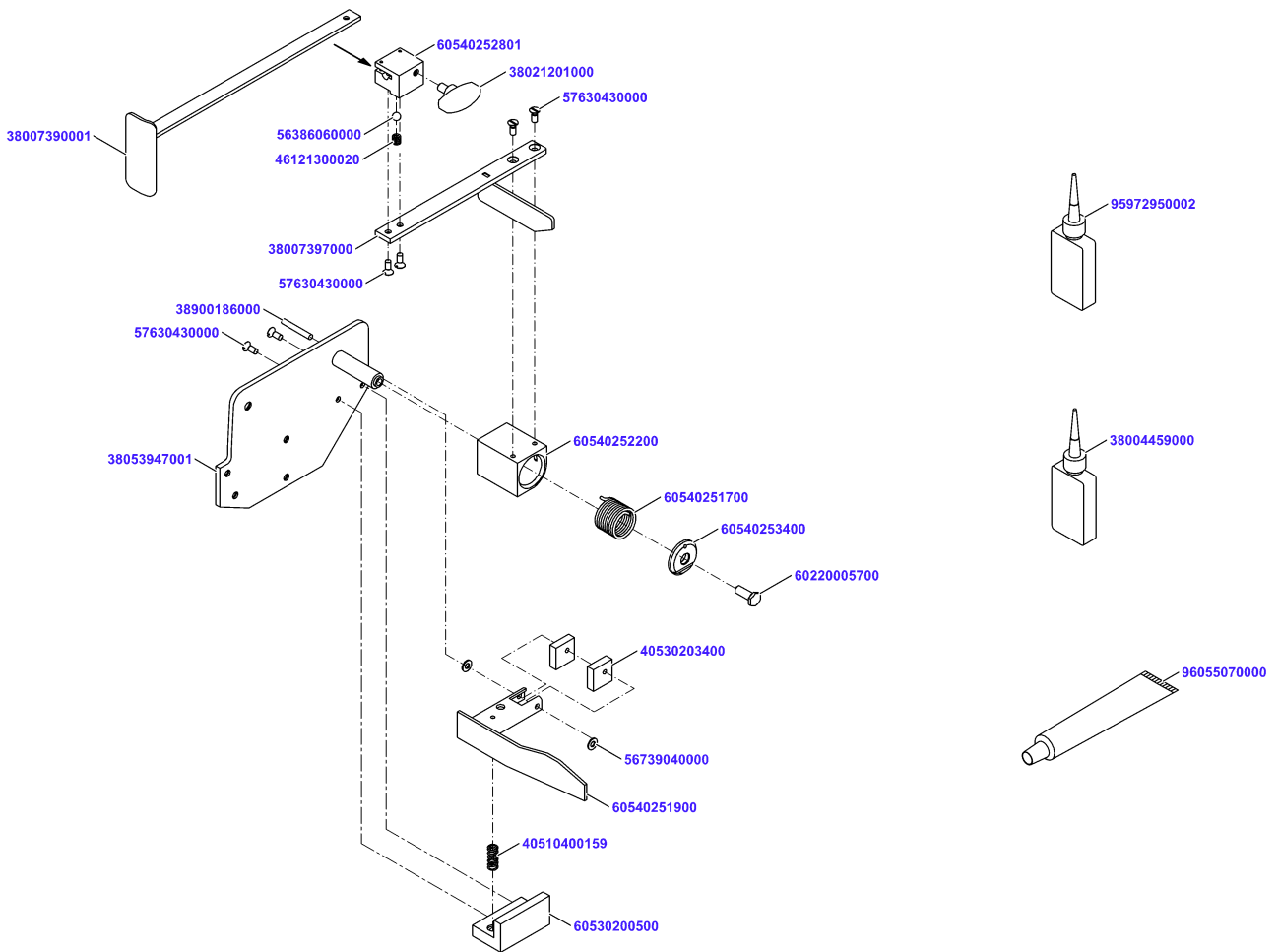
Carriage Plate 400 preass



Carriage Plate 400 preass

Material No.	Qty	Material description	available for order	Wear part	Recomm. sp. part	Metr. relevance
38099340001	1	Carriage Plate welded	✓			
38099376001	1	Handle	✓			
38054461000	1	Plate	✓			
38054302000	1	Gasket	✓		✓	
95944020001	10	Silicone Rubber Elastosil E41 90ml	✓			
57630620000	1	Countersunk screw DIN963 M6x12-A2-70	✓			
95972950002	0,001	Loctite 243 50 ml	✓			
56420160000	2	Cap nut DIN986-M6-A2	✓			
56765060000	2	Washer DIN9021-6-A2	✓			
57431120000	1	Hexagon screw DIN933 M6x12 A2-70	✓			
56739060000	1	Washer DIN125-A-6-A2	✓			

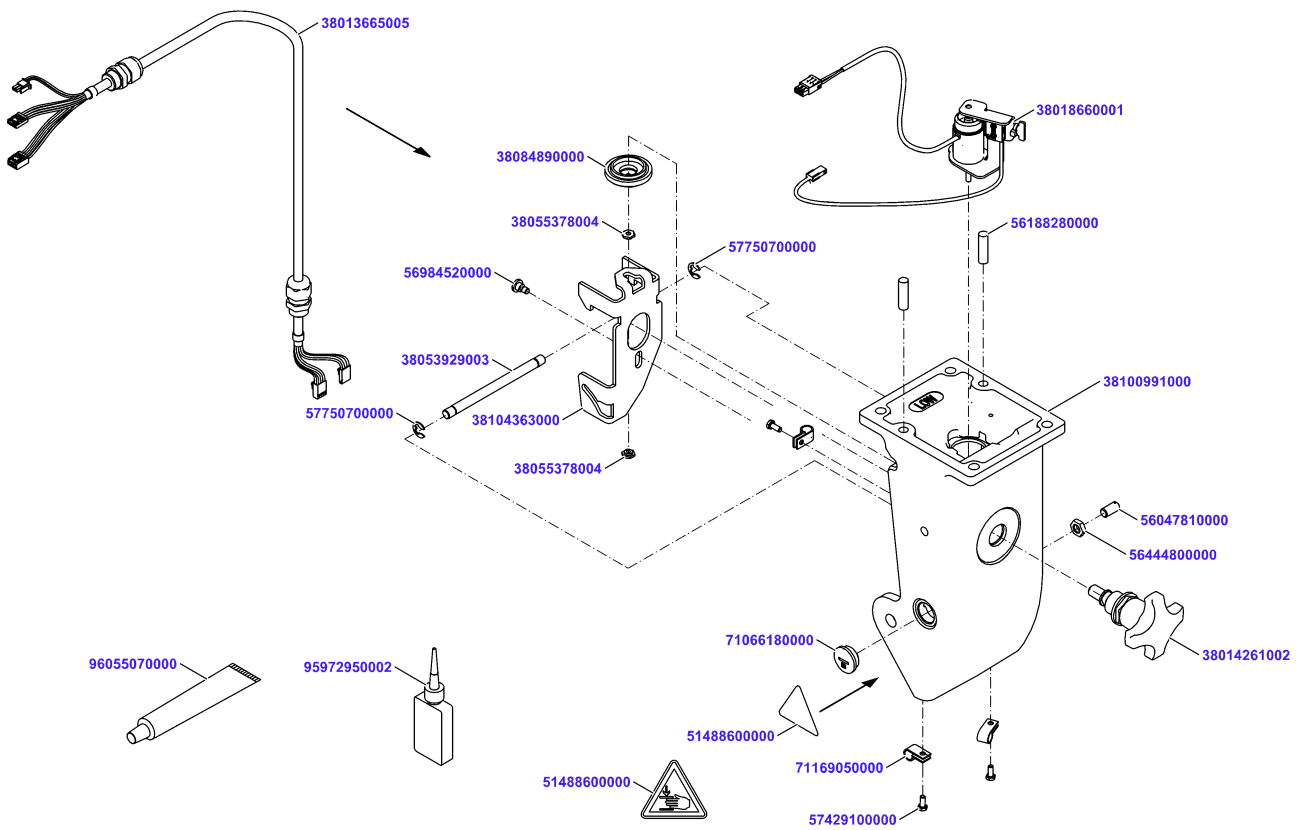
Product Supporter horizontal cpl



Product Supporter horizontal cpl

Material No.	Qty	Material description	available for order	Wear part	Recomm. sp. part	Metr. relevance
38053947001	1	Mounting with Shaft	✓			
60540251900	1	Lever welded complete	✓			
40530203400	2	buffer	✓			
38900186000	1	Cylindrical pin DIN7-4m6x28-A2	✓			
56739040000	2	Washer DIN125-A 4.3-A2-70	✓			
40510400159	1	pressure spring	✓			
60530200500	1	supporting angle	✓			
57630430000	6	Countersunk screw DIN963 M4x10-A2-70	✓			
95972950002	0,001	Loctite 243 50 ml	✓			
60540252200	1	hub preass.	✓			
60540251700	1	spring	✓			
96055070000	0,005	Grease PARALIQ GA 343	✓			
60540253400	1	tightening disk	✓			
60220005700	1	hexagon screw oval-head M 6x16	✓			
38004459000	0,001	Loctite 648	✓			
38007397000	1	Cantilever welded	✓			
60540252801	1	take up device preassembled	✓			
56386060000	1	Ball DIN5401 6-1.4034	✓			
46121300020	1	PRESSURE SPRING 6121300020	✓			
38021201000	1	Wing screw M6x10-1.4308	✓			
38007390001	1	Holder welded	✓			

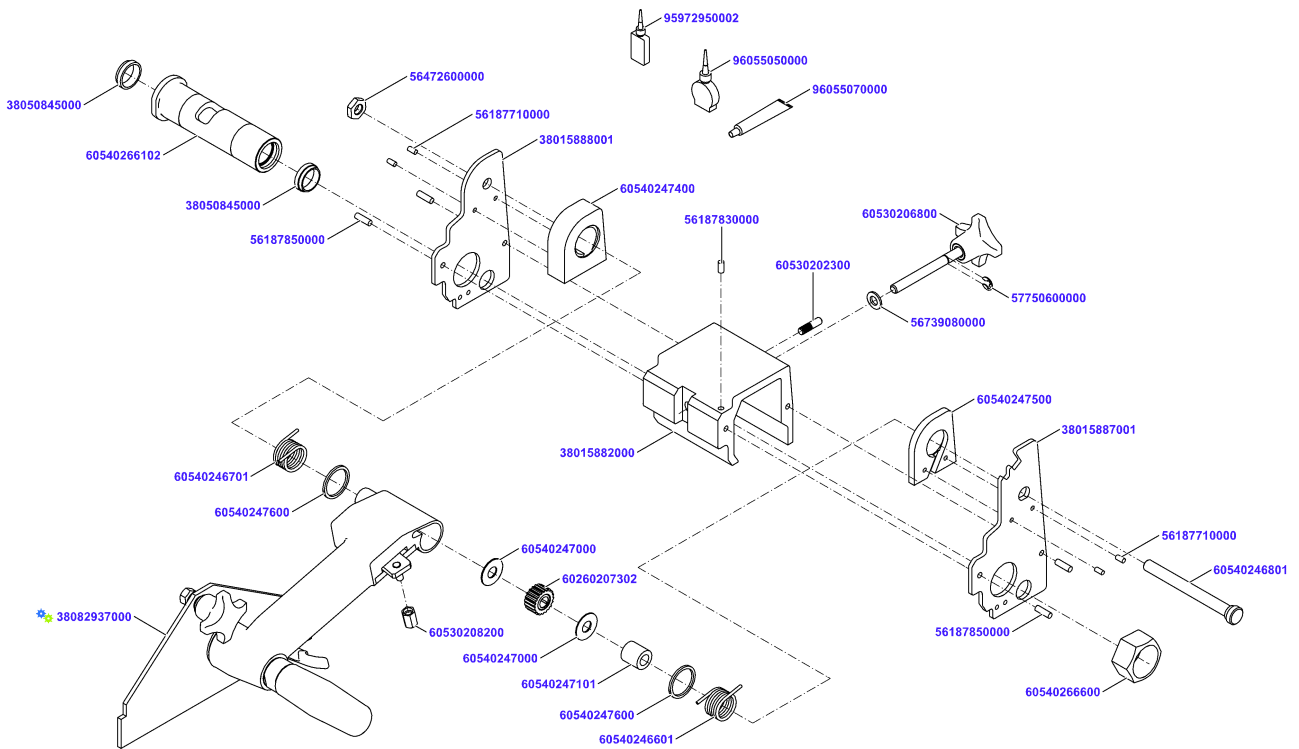
Carriage Foot low cpl.



Carriage Foot low cpl.

Material No.	Qty	Material description	available for order	Wear part	Recomm. sp. part	Metr. relevance
38100991000	1	Carriage Foot low hygienic mach				
56188280000	2	Cylindrical pin EN 22338-8m6x28-A2				
56047810000	1	Set screw DIN551 M8x16-PA 66				
56444800000	1	Hexagon nut DIN439-M8-A2				
38018660001	1	Magnet preass				
38084890000	1	Cap preass				
38055378004	2	Hexagon nut				
95972950002	0,001	Loctite 243 50 ml				
38104363000	1	Interlock				
96055070000	0,001	Grease PARALIQ GA 343				
56984520000	1	Pan head screw DIN923 M5x4A2-70				
71066180000	1	Blind plug BLK- M20				
38014261002	1	Handle preass.				
38053929003	1	Stop Bolt				
57750700000	2	Retaining washer DIN6799-7				
71169050000	3	Cable Clamp nylon 7,4mm NK-5N				
38013665005	1	Ka Rd 12x24AWG 0,87m				
57429100000	3	Hexagon screw DIN933 M4x10 A2-70				
51488600000	1	Warning Plate Hand Injury 7.29K				

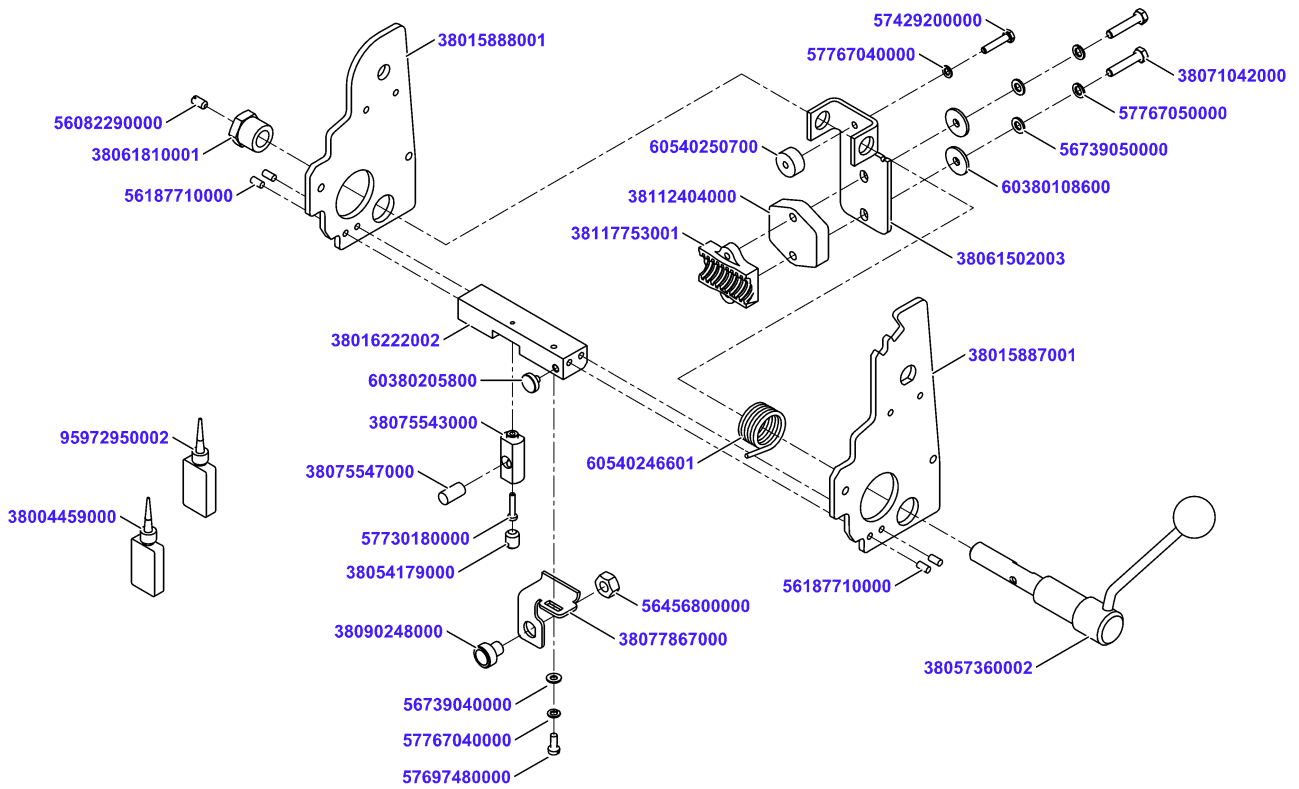
Product Holder folding upwards preass.



Product Holder folding upwards preass.

Material No.	Qty	Material description	available for order	Wear part	Recomm. sp. part	Metr. relevance
38015882000	1	Product Holder Guide	✓			
56187830000	1	Cylindrical pin EN 22338-5m6x10-A2	✓			
60530202300	1	PIN	✓			
60530206800	1	locking handle assembled	✓			
56739080000	1	Washer DIN125-A-8-A2	✓			
57750600000	1	Retaining washer DIN6799-6	✓			
38015887001	1	Side Cover left	✓			
38015888001	1	Side Cover right	✓			
60540266102	1	Bushing complete	✓	✓		
38050845000	2	Deflector Ring	✓			
60540266600	1	hex nut	✓			
56187850000	4	Cylindrical pin EN 22338-5m6x16-A2	✓			
60540246601	1	Torsion spring left	✓			
95972950002	0,001	Loctite 243 50 ml	✓			
56187710000	4	Cylindrical pin EN 22338-4m6x8-A2	✓			
38082937000	1	Lever compl for the Product Holder	✓			
60540247000	2	washer	✓			
60540246801	1	Shaft	✓			
56472600000	1	Hexagon nut DIN439-M10x1-A2-70	✓			
60530208200	1	cap nut	✓			
60540246601	1	Torsion spring left	✓			
60540246701	1	Torsion spring right	✓			
60540247101	1	spacer bushing	✓			
60540247400	1	counter bearing	✓			
60540247500	1	counter bearing	✓			
60540247600	2	washer	✓			
60260207302	1	Control Gear	✓			
56187710000	4	Cylindrical pin EN 22338-4m6x8-A2	✓			
96055070000	0,001	Grease PARALIQ GA 343	✓			
96055050000	0,001	Lubricating Oil F.L.5 Oil UH1	✓			

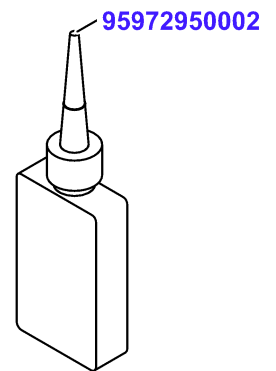
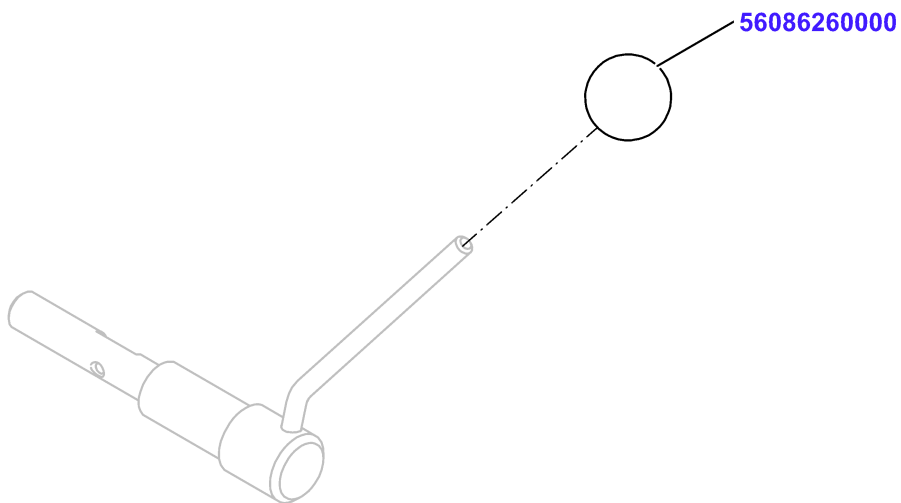
Product Holder folding upwards preass.



Product Holder folding upwards preass.

Material No.	Qty	Material description	available for order	Wear part	Recomm. sp. part	Metr. relevance
38015887001	1	Side Cover left	✓			
38015888001	1	Side Cover right	✓			
38057360002	1	Bolt cpl	✓			
38061502003	1	Holder	✓			
60540246601	1	Torsion spring left	✓			
60540250700	1	actuator	✓			
57767040000	1	Spring lock washer DIN128-A4-FSt	✓			
57429200000	1	Hexagon screw DIN933 M4x20 A2-70	✓			
38071042000	2	Hexagon screw DIN933 M5x25 A2-70	✓			
57767050000	2	Spring lock washer DIN128-A5-FSt	✓			
56739050000	2	Washer DIN125-A-5-A2	✓			
60380108600	2	Washer	✓			
38112404000	1	Spacer plate 40x40x10	✓			
38117753001	1	Nut Plate TR20X12P4	✓		✓	
95972950002	0,001	Loctite 243 50 ml	✓			
38061810001	1	Screw Nut	✓			
38004459000	0,001	Loctite 648	✓			
56082290000	1	Set screw DIN438 M5x10-A2-70	✓			
38016222002	1	Bar	✓			
60380205800	1	SLIDE PIN	✓			
56187710000	4	Cylindrical pin EN 22338-4m6x8-A2	✓			
38077867000	1	Magnet Base	✓			
38090248000	1	Magnet Vacodym 370 wz round 10x4 preass	✓		✓	
56456800000	1	Hexagon nut DIN934-M8-A2	✓			
57697480000	1	Cylinder screw DIN84 M4x10-A2-70	✓			
56739040000	1	Washer DIN125-A 4.3-A2-70	✓			
57767040000	1	Spring lock washer DIN128-A4-FSt	✓			
60540246601	1	Torsion spring left	✓			
56187710000	4	Cylindrical pin EN 22338-4m6x8-A2	✓			
38075543000	1	Mounting Pin	✓			
57730180000	1	Oval-head screw ISO14583 M3x16-A2-70-T10	✓			
38075547000	1	Parallel Pin 8x15	✓			
38054179000	1	Set screw DIN438 M8x10-A2-70	✓			

Bolt cpl

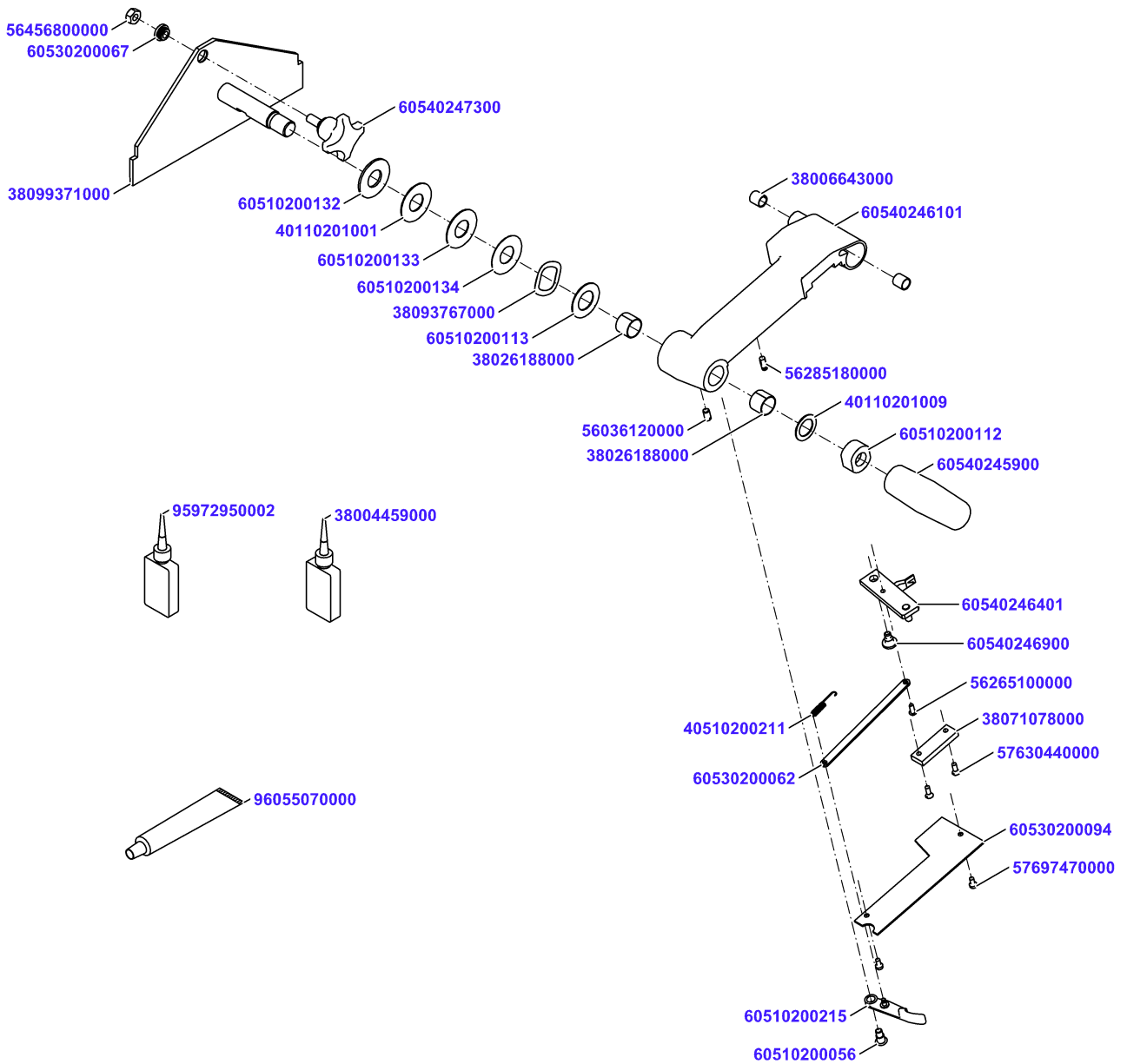


Bolt cpl

Material No.	Qty	Material description
56086260000	1	Ball knob DIN319 M6x25 I
95972950002	0,001	Loctite 243 50 ml

available for order
Wear part
Recomm. sp. part
Metr. relevance

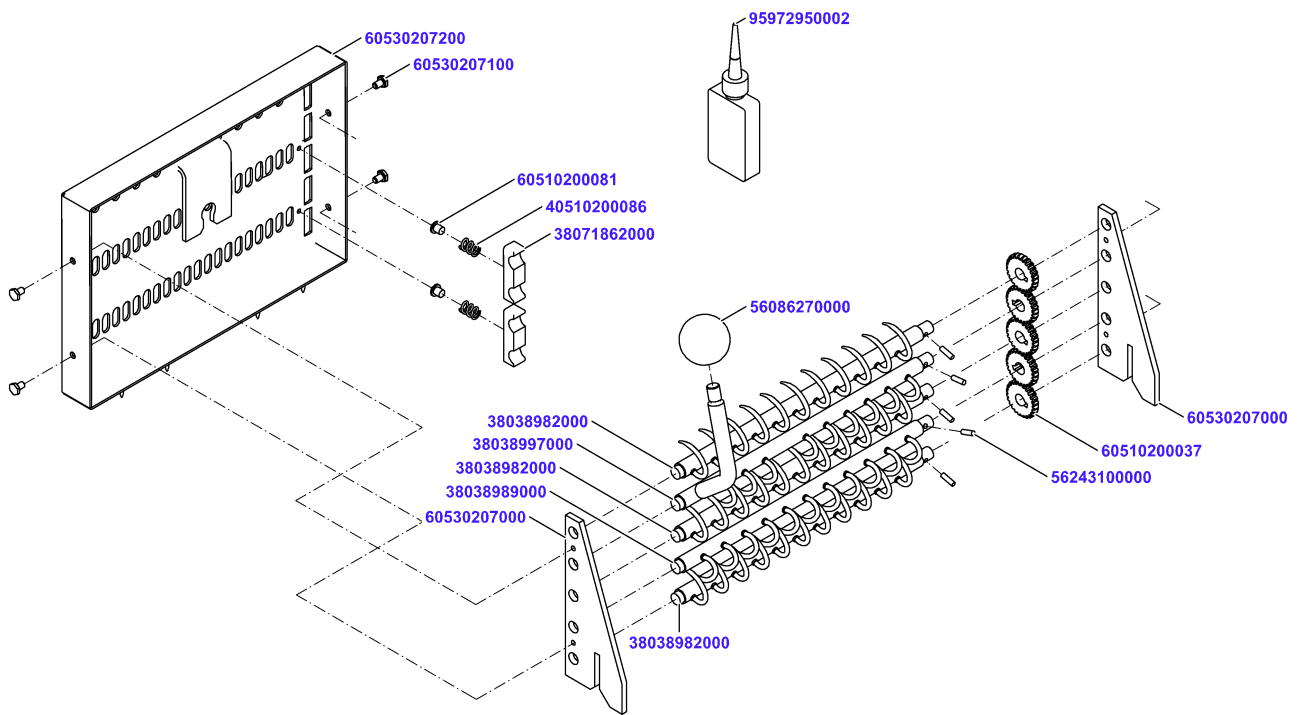
Lever compl for the Product Holder
















Lever compl for the Product Holder

Material No.	Qty	Material description	available for order	Wear part	Recomm. sp. part	Metr. relevance
38132202000	1	Lever with pin				
96055070000	0,001	Grease PARALIQ GA 343				
56739060000	1	Washer DIN125-A-6-A2				
38026188000	2	Plain bearing 18x20x15				
38006643000	2	Plain bearing 10x12x12				
56285180000	1	Grooved Pin DIN 1469-C5x14-6.8				
40510200211	1	tension spring				
60540246401	1	locking device, welded				
60530200062	1	mounting link				
56265100000	1	Round-Head Nail DIN 1476-4x10-A2-70				
60540246900	1	pan head screw				
60510200056	1	Pan head screw M6x7,1x7				
38071078000	1	bar				
57630440000	2	Countersunk screw DIN963 M4x12-A2-70				
60530200094	1	cover plate				
57697470000	2	Cylinder screw DIN84 M4x8-A2-70				
38099371000	1	Bearing rail preass.				
60530200067	1	collar nut				
60540247300	1	Star knob M8x18,5				
56456800000	1	Hexagon nut DIN934-M8-A2				
60510200113	1	washer 20 (1mm)				
40110201002	1	Washer 40x18,15x1 - POM				
60510200132	1	Washer				
60510200133	1	Washer 1 mm				
40110201009	1	Washer				
60510200134	1	washer 0,5mm				
60510200112	1	lock nut				
60540245900	1	Handhold 91x28 M16x1 - PA6 black				
56036120000	1	Set screw DIN551 M6x12-14H				
96055070000	0,020	Grease PARALIQ GA 343				
38004459000	0,001	Loctite 648				
95972950002	0,001	Loctite 243 50 ml				
38093767000	1	Wave Washer 36x25,2x3				
60540246101	1	lever ass.				

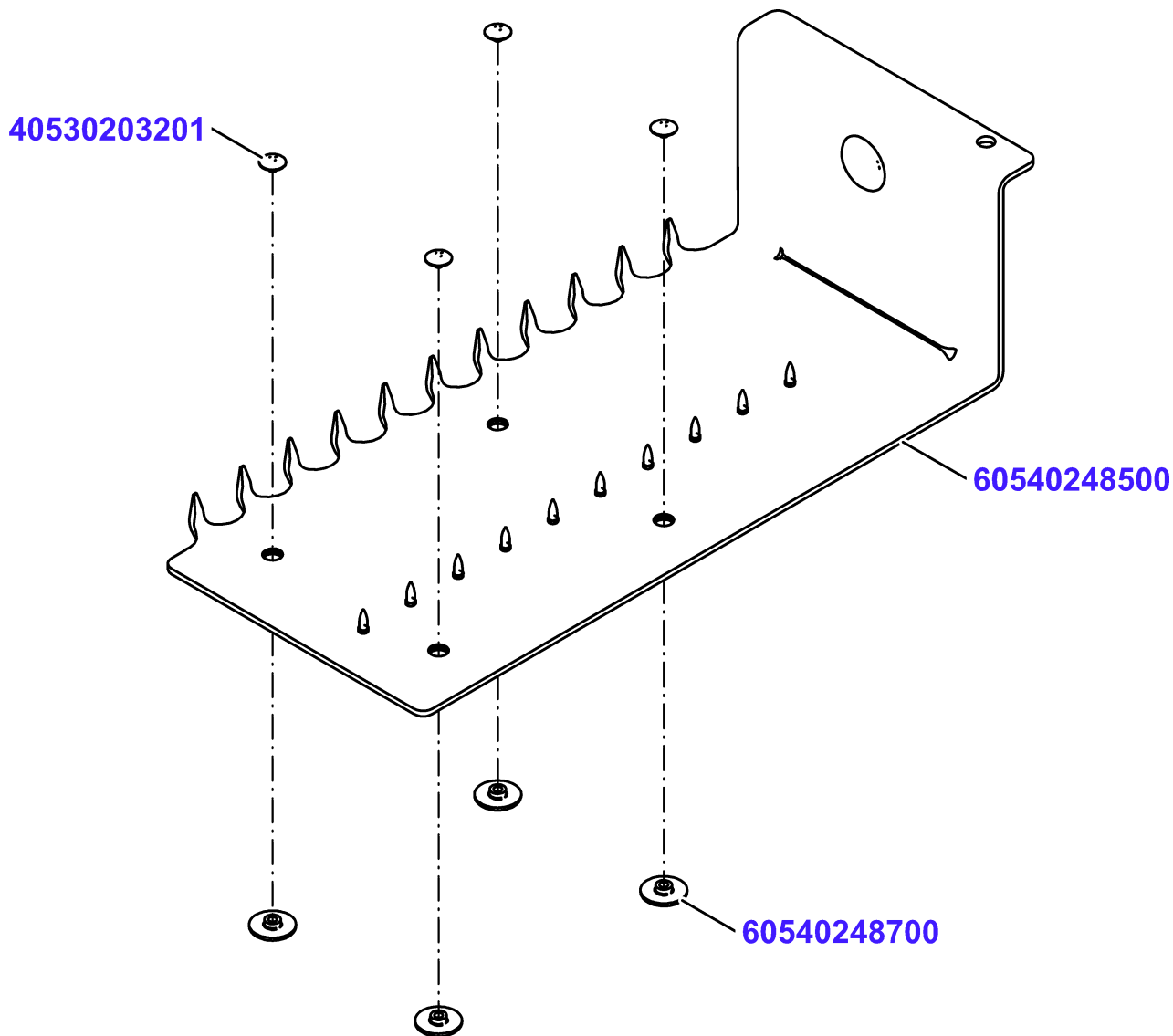
Product holder ass.



Product holder ass.

Material No.	Qty	Material description	available for order	Wear part	Recomm. sp. part	Metr. relevance
60530207200	1	product holder housing preass.				
60510200081	2	collar stud				
60530207000	2	side frame				
38038982000	3	Gripper Shaft cpl.				
38038989000	1	Gripper Shaft cpl.				
38038997000	1	Gripper Shaft cpl.				
56086270000	1	Ball knob DIN319 M8x32 I				
56243100000	5	Cylindrical pin EN 22338-3h11x10-A2				
60510200037	5	Pinion				
40510200086	2	Pressure spring				
38071862000	2	brake pad				
60530207100	4	Hexagon Screw M4x6 A2-70 Hygiene				
95972950002	0,001	Loctite 243 50 ml				

product supporting plate ass.



product supporting plate ass.

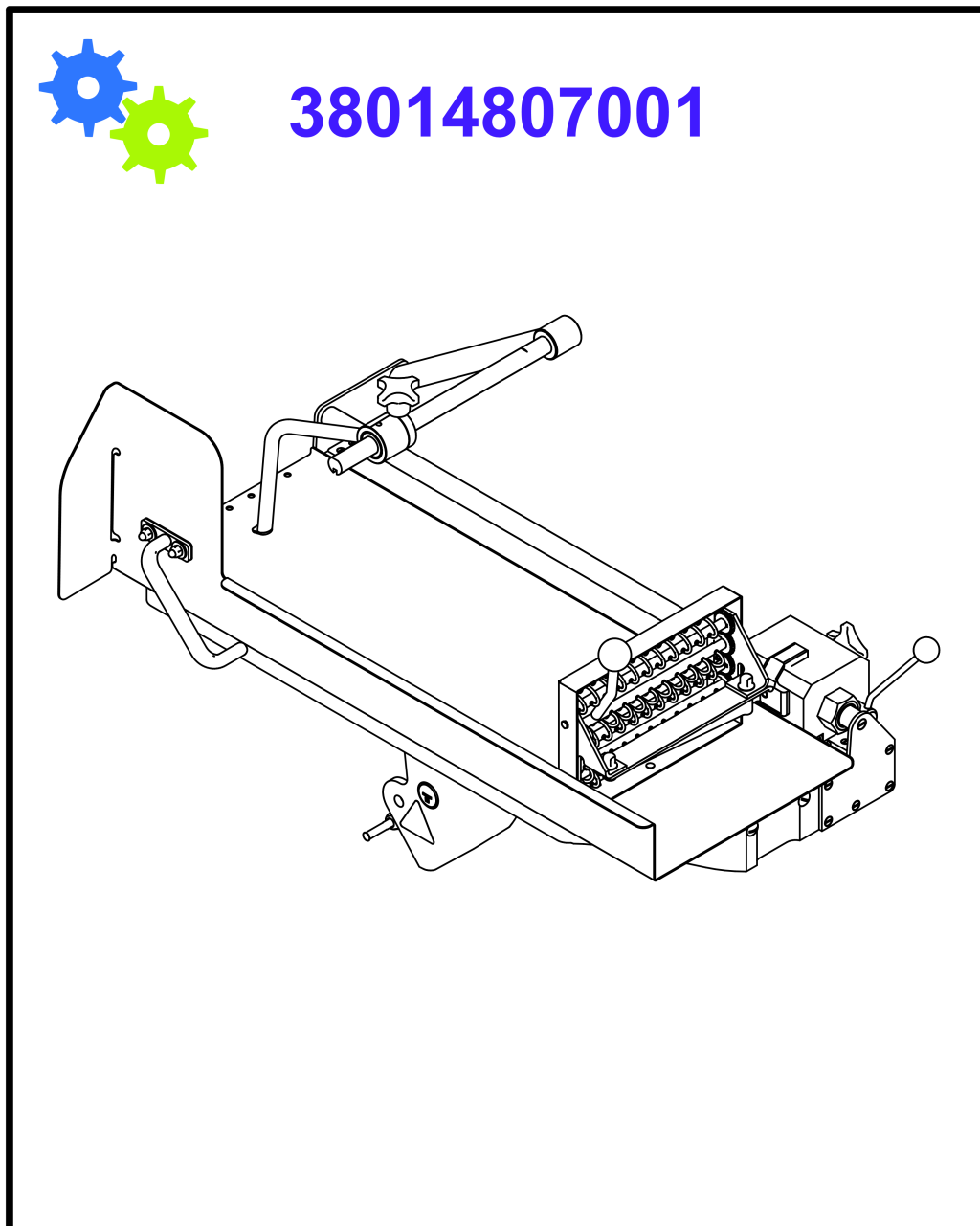
Material No.	Qty	Material description	available for order	Wear part	Recomm. sp. part	Metr. relevance
60540248500	1	product supporting plate welded				
40530203201	4	push button				
60540248700	4	glide piece				

Carriages 600

Carriages 600

Material No.	Qty	Material description	available for order	Wear part	Recomm. sp. part	Metr. relevance
...	1	Carriage stroke 240mm up to 11540649				
...	1	Carriage stroke 270mm as from 11540650				

Carriage stroke 240mm up to 11540649

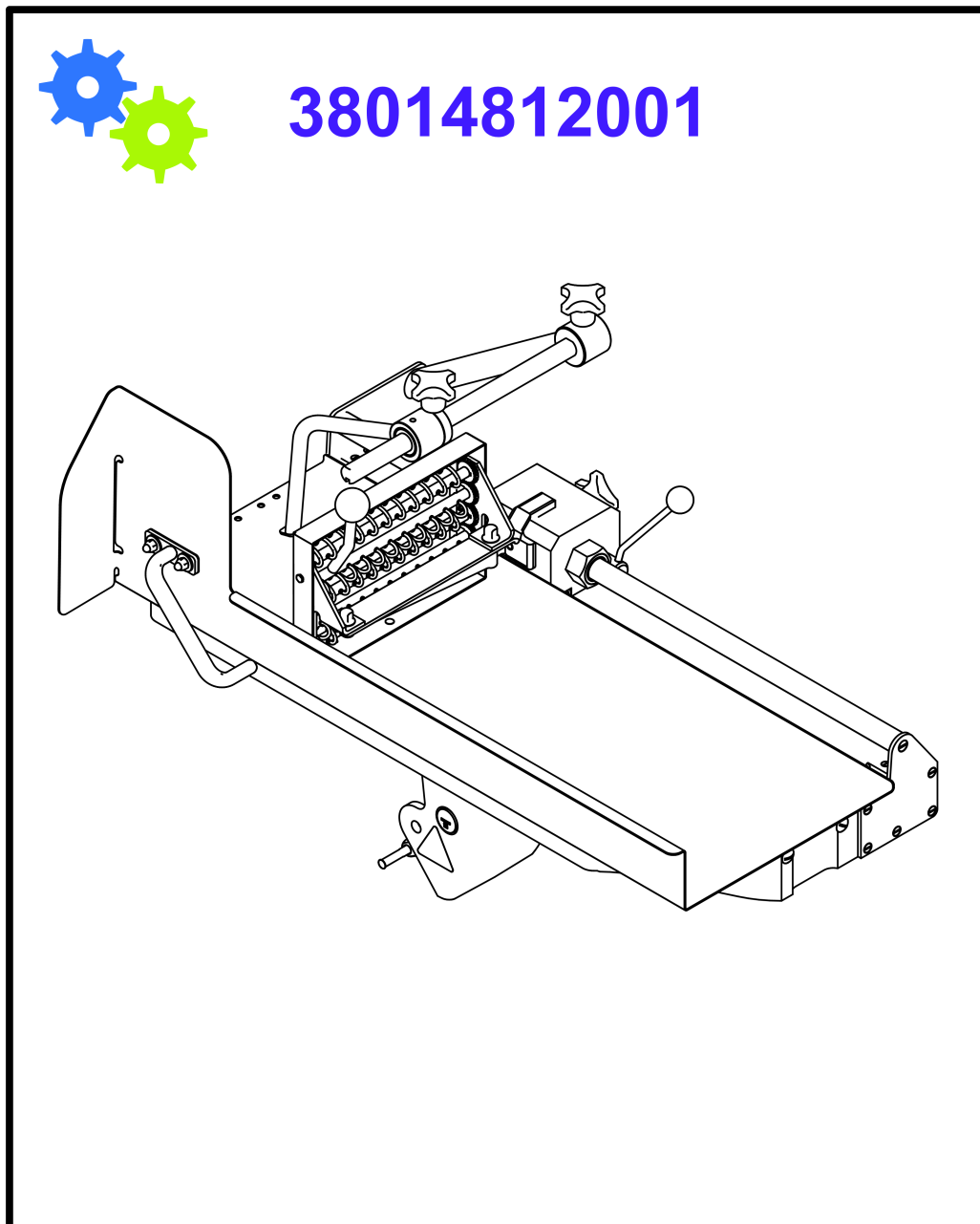


Carriage stroke 240mm up to 11540649

available for order
Wear part
Recomm. sp. part
Metr. relevance

Material No.	Qty	Material description
38014807001	1	Carriage 600

Carriage stroke 240mm up to 11540649

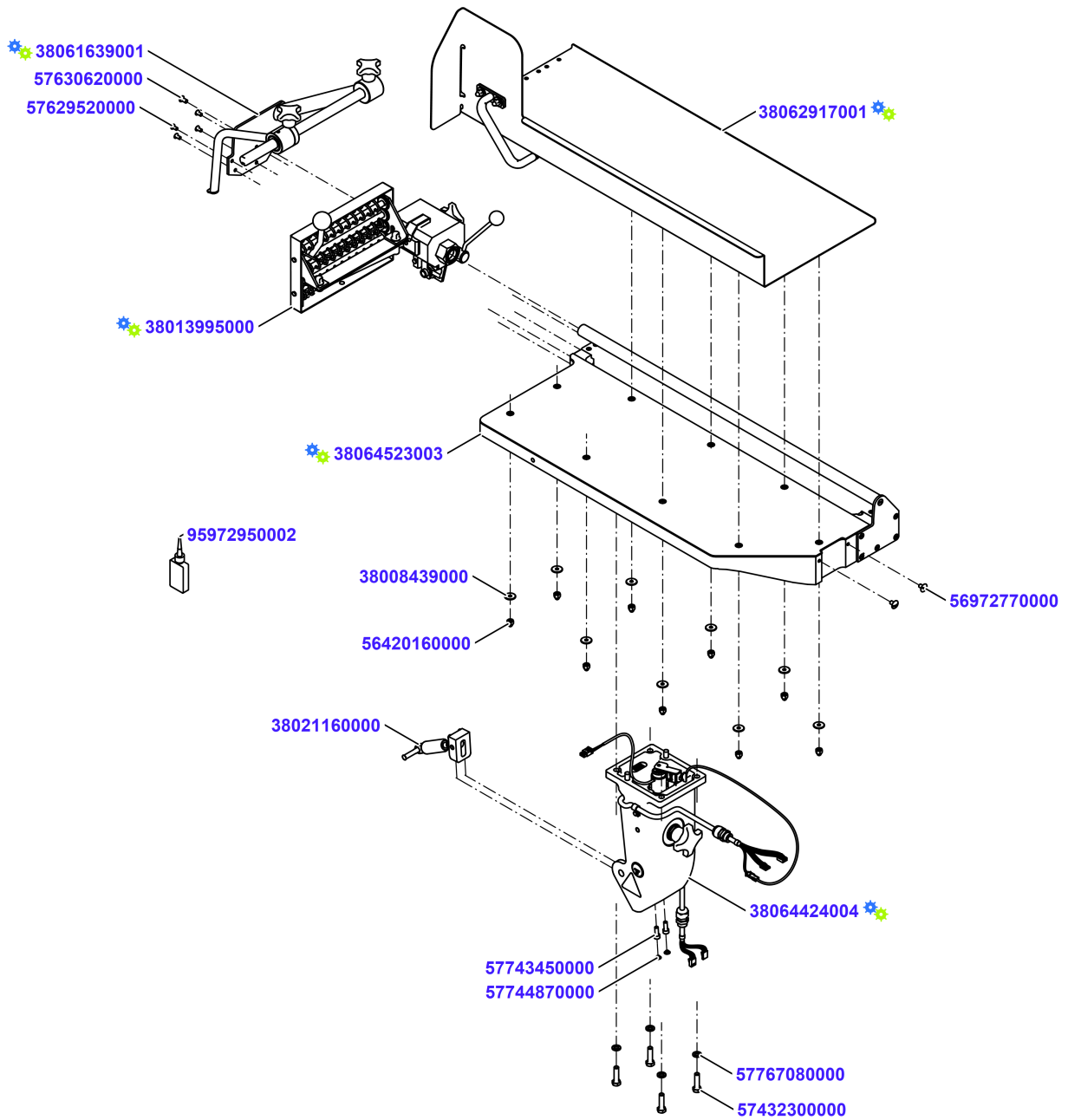


Carriage stroke 240mm up to 11540649

available for order
Wear part
Recomm. sp. part
Metr. relevance

Material No.	Qty	Material description
38014812001	1	Carriage 600 NSF

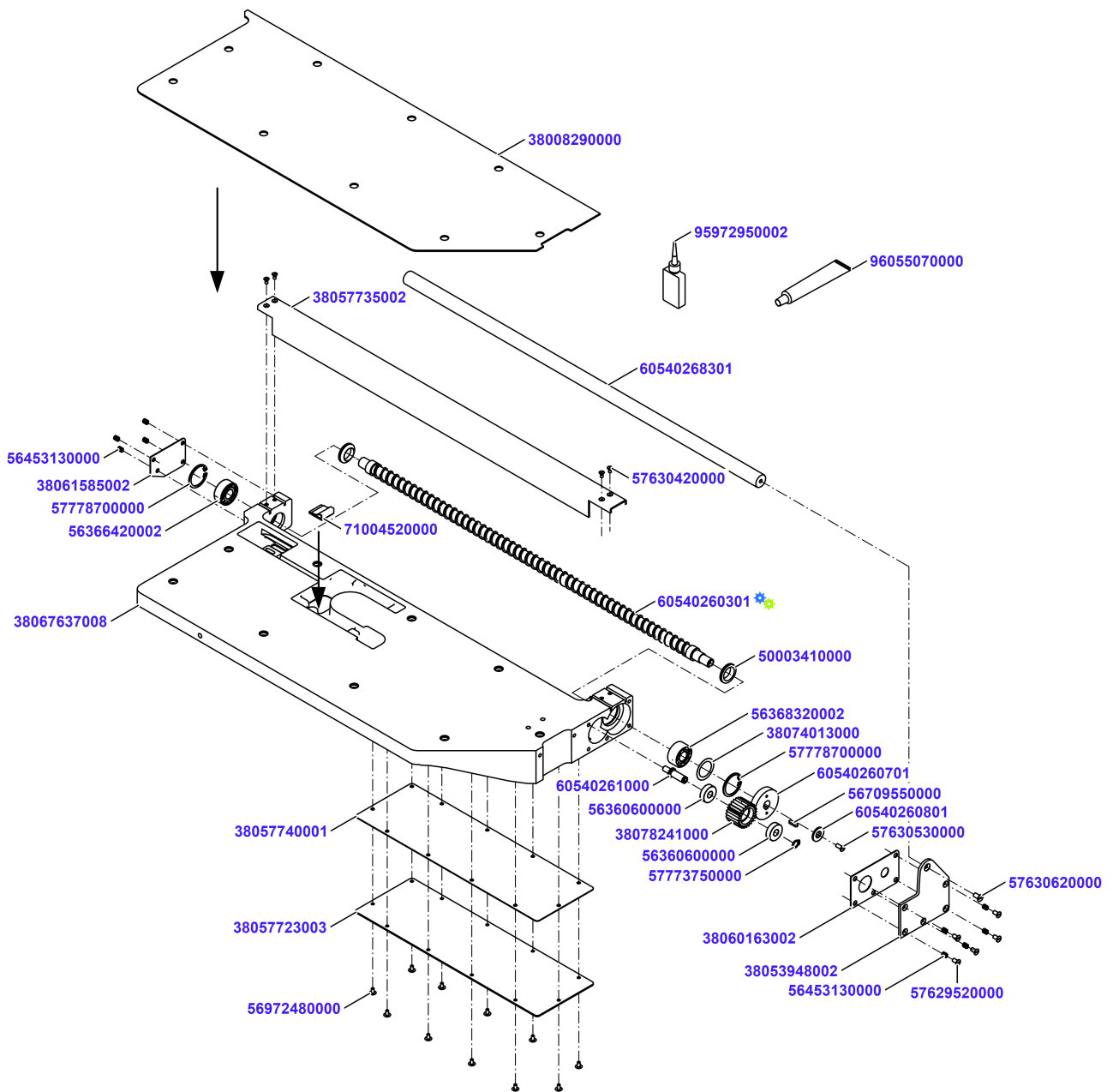
Carriage 600 NSF



Carriage 600 NSF

Material No.	Qty	Material description	available for order	Wear part	Recomm. sp. part	Metr. relevance
38064523003	1	Carriage 600 cpl.				
38062917001	1	Carriage Plate Template preass	✓			
56420160000	9	Cap nut DIN986-M6-A2	✓			
38008439000	9	Sealing washer M6	✓		✓	
56972770000	2	Mushroom head screw M6x10-A2-70	✓			
38013995000	1	Product Holder non folding NSF cpl				
38061639001	1	Product Supporter top NSF cpl				
57629520000	4	Countersunk screw DIN963 M5x10-A2-70	✓			
95972950002	0,001	Loctite 243 50 ml	✓			
57630620000	1	Countersunk screw DIN963 M6x12-A2-70	✓			
38064424004	1	Carriage Foot high cpl				
57432300000	4	Hexagon screw DIN933 M8x30 A2-70	✓			
57767080000	4	Spring lock washer DIN128-A8-A2	✓			
38021160000	1	Gas Spring Carriage 600 cpl	✓		✓	
57743450000	2	Cylinder screw DIN912 M6x16-A2-70	✓			
57744870000	2	Protective plug 10x5,2x3,1-PE	✓		✓	

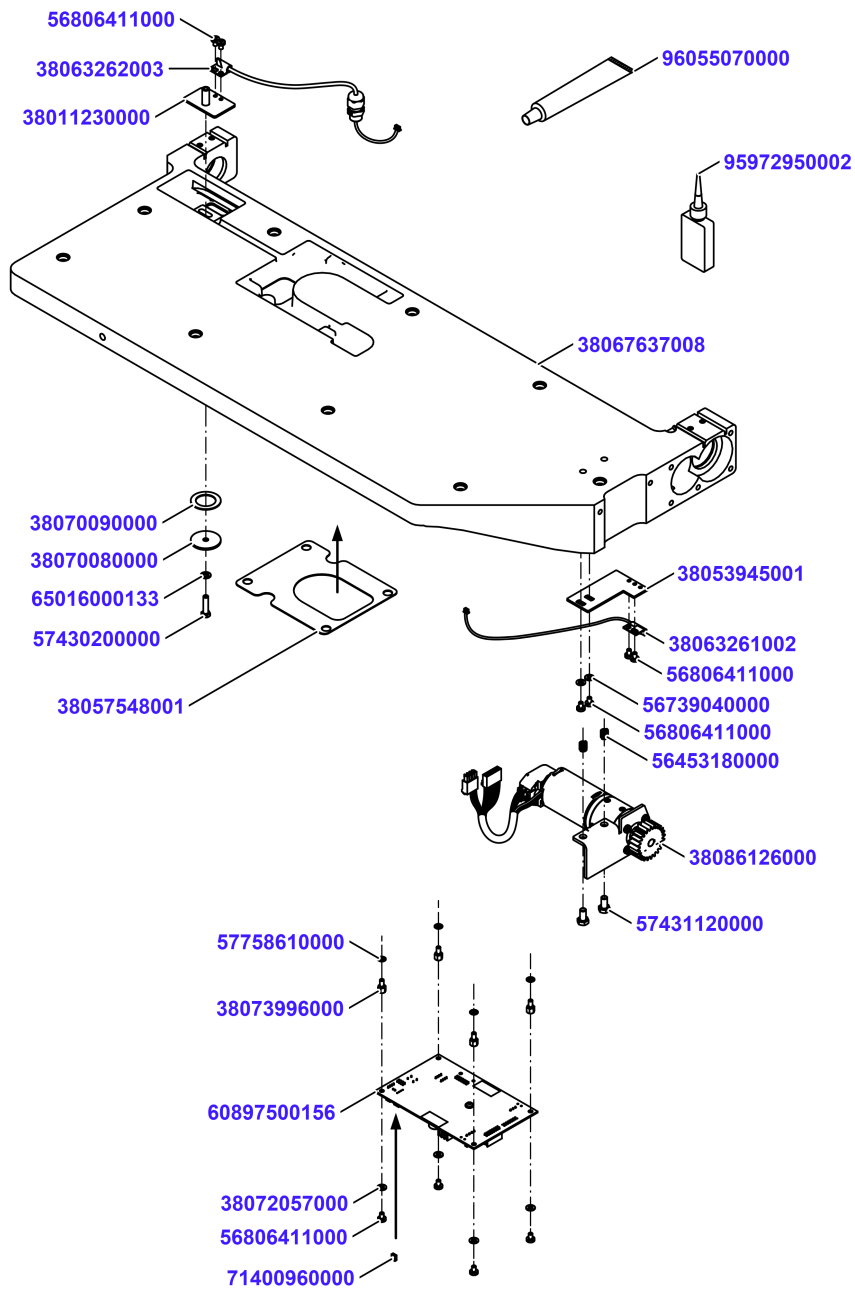
Carriage 600 cpl.



Carriage 600 cpl.

Material No.	Qty	Material description	available for order	Wear part	Recomm. sp. part	Metr. relevance
38067637008	1	Carriage 600 cast machined	✓			
56453130000	9	Thread insert M5x7,5-A2	✓			
56366420002	1	Self-Aligning Ball Bearing 2202	✓			
57778700000	1	Retaining ring DIN472-35x1,5	✓			
50003410000	1	Wiper ring 30x20x7	✓			
60540260301	1	Feed Spindle ass.	✓			
50003410000	1	Wiper ring 30x20x7	✓			
56368320002	1	Angular bearing double-row 15x35x15,9	✓			
57778700000	1	Retaining ring DIN472-35x1,5	✓			
38074013000	1	Shim ring DIN988-25x35x0,1	✓			
60540260701	1	Gear Wheel	✓			
96055070000	0,001	Grease PARALIQ GA 343	✓			
56709550000	1	Parallel key DIN6885-A 5x3x16	✓			
60540260801	1	Washer	✓			
57630530000	1	Countersunk screw DIN963 M5x12-A2-70	✓			
95972950002	0,001	Loctite 243 50 ml	✓			
60540261000	1	bolt	✓			
38078241000	1	Gear Wheel	✓			
56360600000	2	Grooved ball bearing DIN625 10x26x8	✓			
57773750000	1	Retaining ring DIN471-10x1	✓			
38057735002	1	Guide Rail 600er	✓			
57630420000	4	Countersunk screw DIN963 M4x8-A2-70	✓			
71004520000	1	Flat Cabel Holder 3484-1000	✓			
38053948002	1	Flange	✓			
38060163002	1	Sealing	✓		✓	
57629520000	5	Countersunk screw DIN963 M5x10-A2-70	✓			
38061585002	1	sealing	✓		✓	
60540268301	1	guide shaft	✓			
57630620000	1	Countersunk screw DIN963 M6x12-A2-70	✓			
38008290000	1	Seal Carriage Plate 705x260x2	✓		✓	
38057723003	1	Cover 378x119,1x2	✓			
38057740001	1	Seal long	✓		✓	
56972480000	11	Mushroom head screw M4x8-A2-70 Tuflok	✓			

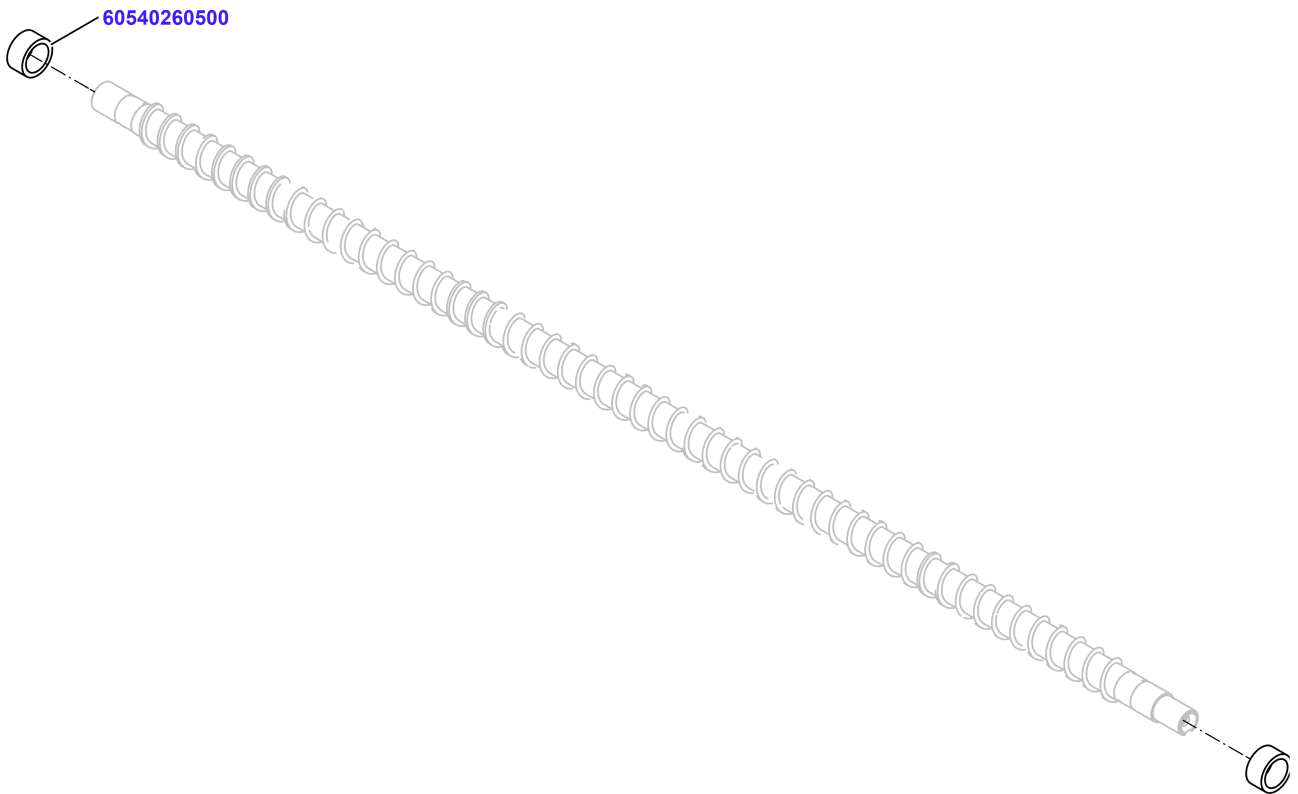
Carriage 600 cpl.



Carriage 600 cpl.

Material No.	Qty	Material description	available for order	Wear part	Recomm. sp. part	Metr. relevance
38067637008	1	Carriage 600 cast machined	✓			
56453180000	2	Threaded insert M6x9	✓			
96055070000	0,001	Grease PARALIQ GA 343	✓			
95972950002	0,001	Loctite 243 50 ml	✓			
38053945001	1	Board	✓			
38063261002	1	Sensor product feeding 1 VSI	✓			
56806411000	4	Oval-head screw ISO14583 M4x6-A2-70-T20	✓			
56739040000	2	Washer DIN125-A 4.3-A2-70	✓			
38011230000	1	Board cpl	✓			
38063262003	1	Sensor product feeding 2 VSI	✓			
56806411000	2	Oval-head screw ISO14583 M4x6-A2-70-T20	✓			
38070080000	1	Washer	✓			
38070090000	1	Sealing	✓		✓	
57430200000	1	Hexagon screw DIN933 M5x20 A2-70	✓			
65016000133	1	Washer 5-PA	✓			
38086126000	1	Motor Product Feeding BG42x15 cpl	✓			
57431120000	2	Hexagon screw DIN933 M6x12 A2-70	✓			
60897500156	1	Bootl.+ PCBA MC 3ph 2ch lv bus	✓			
71400960000	1	Short Circuit Bracket 3131 731000406	✓		✓	
57758610000	4	Toothed washer DIN6797-A 4,3-Fst	✓			
38073996000	4	Distance bolt SW7x6 M4-M4 In-Out	✓			
56806411000	4	Oval-head screw ISO14583 M4x6-A2-70-T20	✓			
38072057000	4	Washer DIN125-A-4-PA6	✓			
38057548001	1	Seal	✓		✓	

Feed Spindle ass.



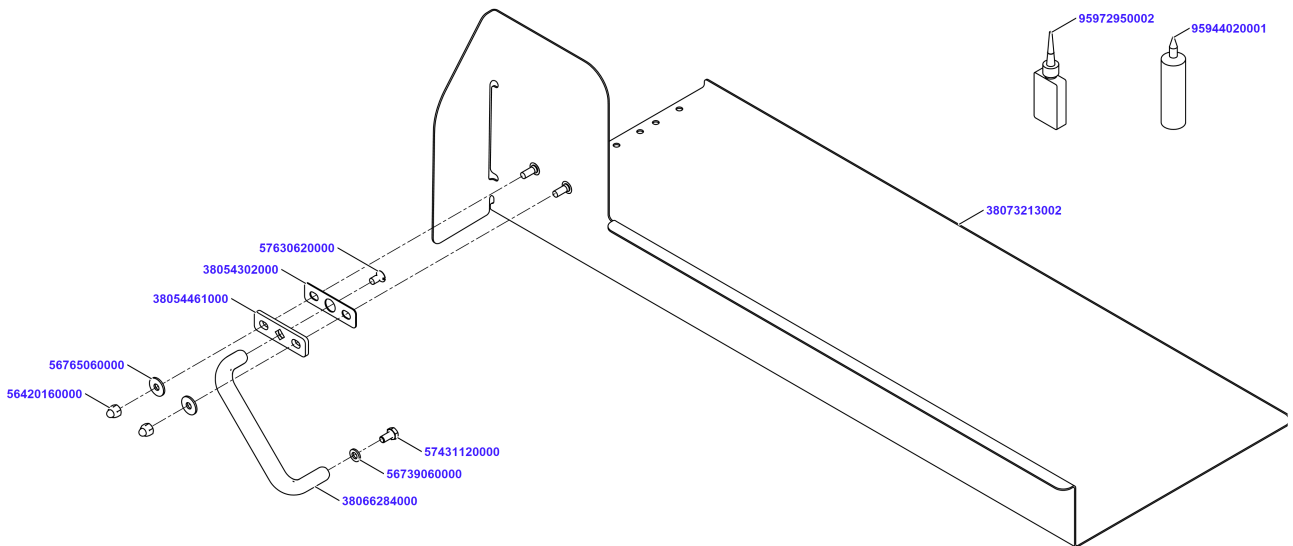
Feed Spindle ass.

Material No.	Qty	Material description
--------------	-----	----------------------

60540260500	2	ring
-------------	---	------

available for order
Wear part
Recomm. sp. part
Metr. relevance

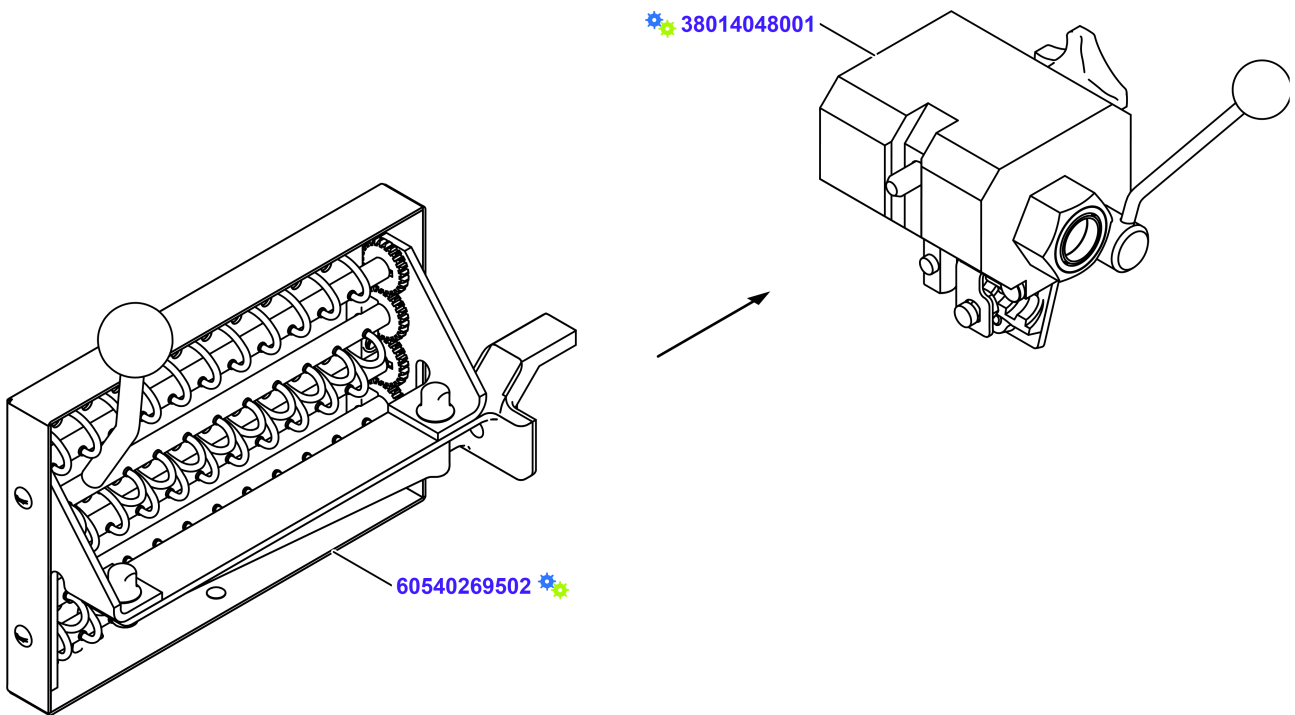
Carriage Plate Template preass



Carriage Plate Template press

Material No.	Qty	Material description	available for order	Wear part	Recomm. sp. part	Metr. relevance
38073213002	1	Carriage Plate welded	✓			
38066284000	1	Handle	✓			
38054461000	1	Plate	✓			
38054302000	1	Gasket	✓		✓	
95944020001	10	Silicone Rubber Elastosil E41 90ml	✓			
57630620000	1	Countersunk screw DIN963 M6x12-A2-70	✓			
95972950002	0,001	Loctite 243 50 ml	✓			
56420160000	2	Cap nut DIN986-M6-A2	✓			
56765060000	2	Washer DIN9021-6-A2	✓			
57431120000	1	Hexagon screw DIN933 M6x12 A2-70	✓			
56739060000	1	Washer DIN125-A-6-A2	✓			

Product Holder non folding NSF cpl

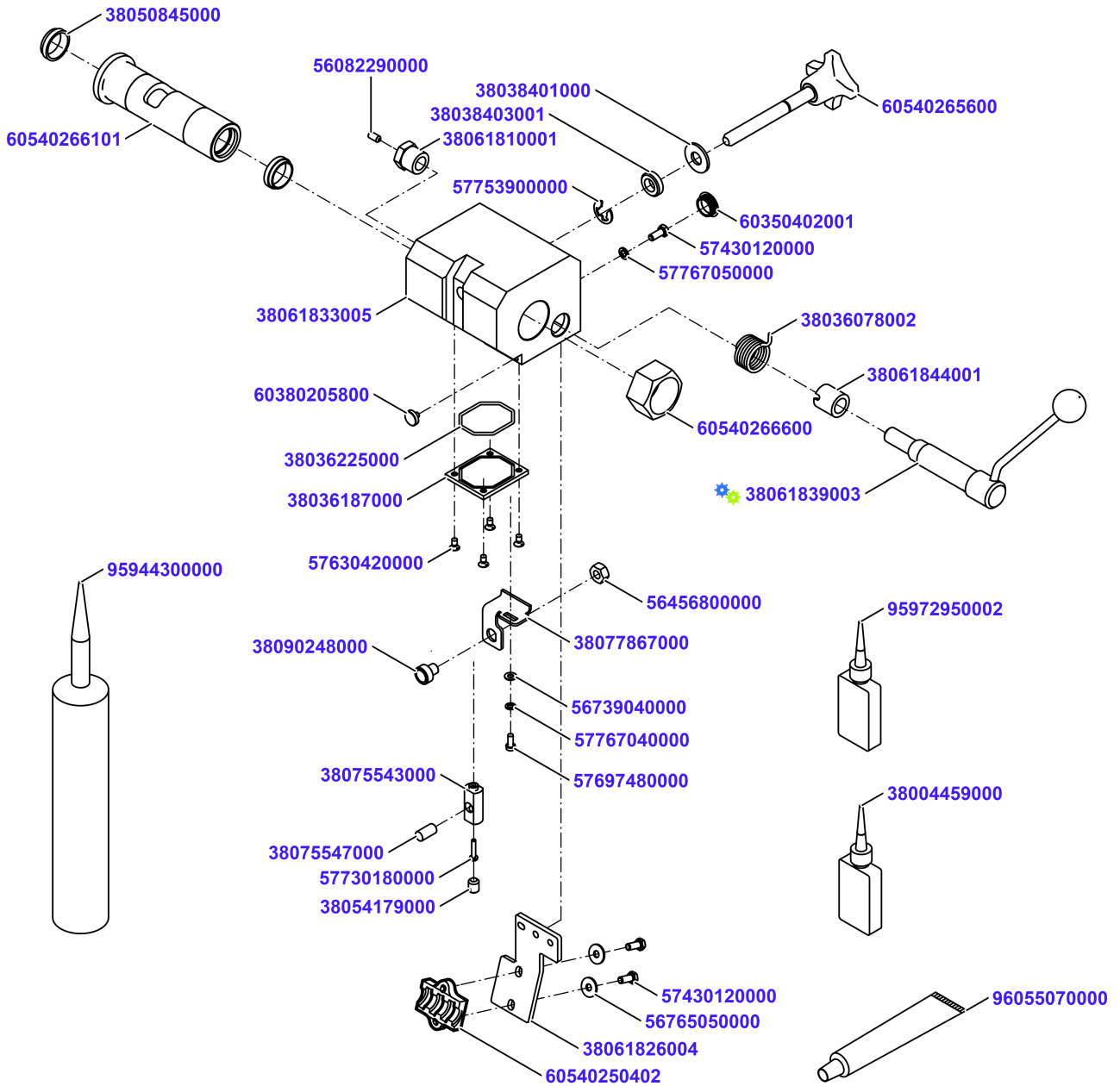


Product Holder non folding NSF cpl

Material No.	Qty	Material description
38014048001	1	Product Holder Guide NSF cpl
60540269502	1	Product holder ass.

available for order
Wear part
Recomm. sp. part
Metr. relevance

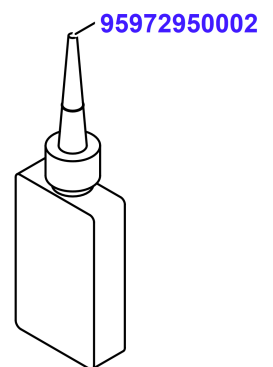
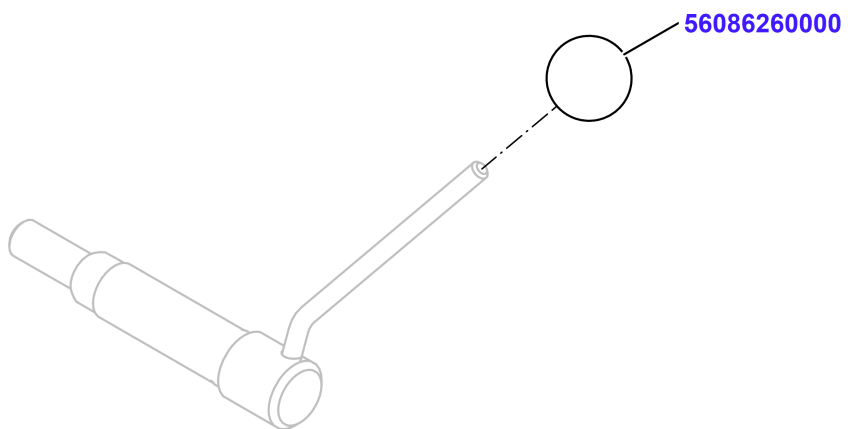
Product Holder Guide NSF cpl



Product Holder Guide NSF cpl

Material No.	Qty	Material description	available for order	Wear part	Recomm. sp. part	Metr. relevance
38061833005	1	Product Holder Guide	✓			
60540265600	1	locking lever mount.	✓			
38038401000	1	washer	✓			
38038403001	1	Bushing 19,1x10,7x5	✓			
57753900000	1	Retaining washer DIN6799-9	✓			
60540266101	1	Bushing complete	✓	✓	✓	
38050845000	2	Deflector Ring	✓			
60540266600	1	hex nut	✓			
38061839003	1	Bolt NSF cpl	✓			
38061844001	1	Sleeve	✓			
38036078002	1	torsion spring left	✓			
96055070000	0,005	Grease PARALIQ GA 343	✓			
38061810001	1	Screw Nut	✓			
38004459000	0,001	Loctite 648	✓			
56082290000	1	Set screw DIN438 M5x10-A2-70	✓			
95972950002	0,001	Loctite 243 50 ml	✓			
38061826004	1	Holder	✓			
60540250402	1	Nut Plate	✓	✓	✓	
56765050000	2	Washer DIN9021-5-A2	✓			
57767050000	1	Spring lock washer DIN128-A5-FSt	✓			
57430120000	3	Hexagon screw DIN933 M5x12 A2-70	✓			
60350402001	1	Protective plug	✓			
95944300000	1	Kitchen silicone ELASTO4710	✓			
38036187000	1	cover	✓			
38036225000	1	seal	✓		✓	
57630420000	4	Countersunk screw DIN963 M4x8-A2-70	✓			
38077867000	1	Magnet Base	✓			
38090248000	1	Magnet Vacodym 370 wz round 10x4 preass	✓		✓	
56456800000	1	Hexagon nut DIN934-M8-A2	✓			
57697480000	1	Cylinder screw DIN84 M4x10-A2-70	✓			
56739040000	1	Washer DIN125-A 4.3-A2-70	✓			
57767040000	1	Spring lock washer DIN128-A4-FSt	✓			
38075543000	1	Mounting Pin	✓			
57730180000	1	Oval-head screw ISO14583 M3x16-A2-70-T10	✓			
38075547000	1	Parallel Pin 8x15	✓			
38054179000	1	Set screw DIN438 M8x10-A2-70	✓			
60380205800	1	SLIDE PIN	✓			

Bolt NSF cpl

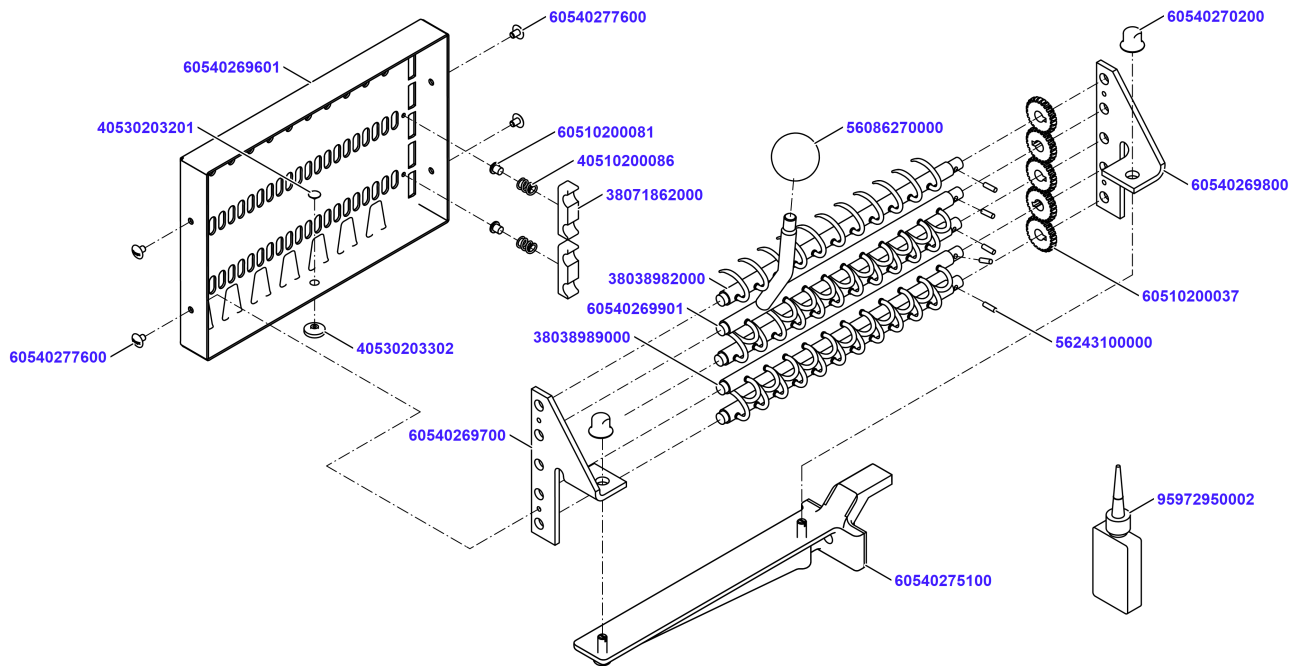


Bolt NSF cpl

Material No.	Qty	Material description
56086260000	1	Ball knob DIN319 M6x25 I
95972950002	0,001	Loctite 243 50 ml

available for order
Wear part
Recomm. sp. part
Metr. relevance

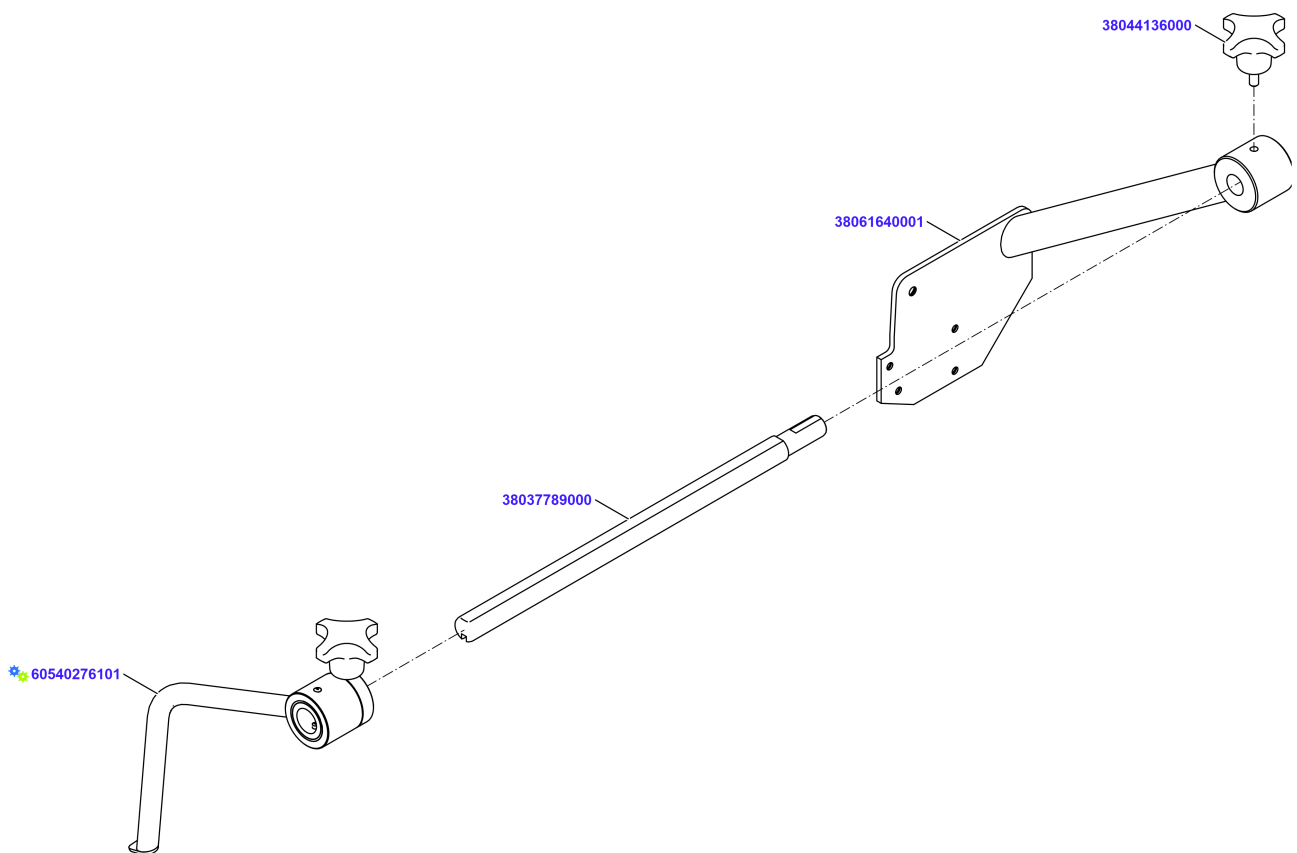
Product holder ass.



Product holder ass.

Material No.	Qty	Material description	available for order	Wear part	Recomm. sp. part	Metr. relevance
60540269601	1	product holder	✓			
60510200081	2	collar stud	✓			
60540269700	1	Side frame left	✓			
60540269800	1	Side frame right	✓			
38038982000	3	Gripper Shaft cpl.	✓			
38038989000	1	Gripper Shaft cpl.	✓			
60540269901	1	Gripper Shaft cpl	✓			
56086270000	1	Ball knob DIN319 M8x32 I	✓			
56243100000	5	Cylindrical pin EN 22338-3h11x10-A2	✓			
60510200037	5	Pinion	✓			
40510200086	2	Pressure spring	✓			
38071862000	2	brake pad	✓			
60540277600	4	self-tapping screw	✓			
60540275100	1	Holder preass.	✓			
60540270200	2	cap nut	✓		✓	
95972950002	0,001	Loctite 243 50 ml	✓			
40530203201	1	push button	✓			
40530203302	1	sliding piece	✓		✓	

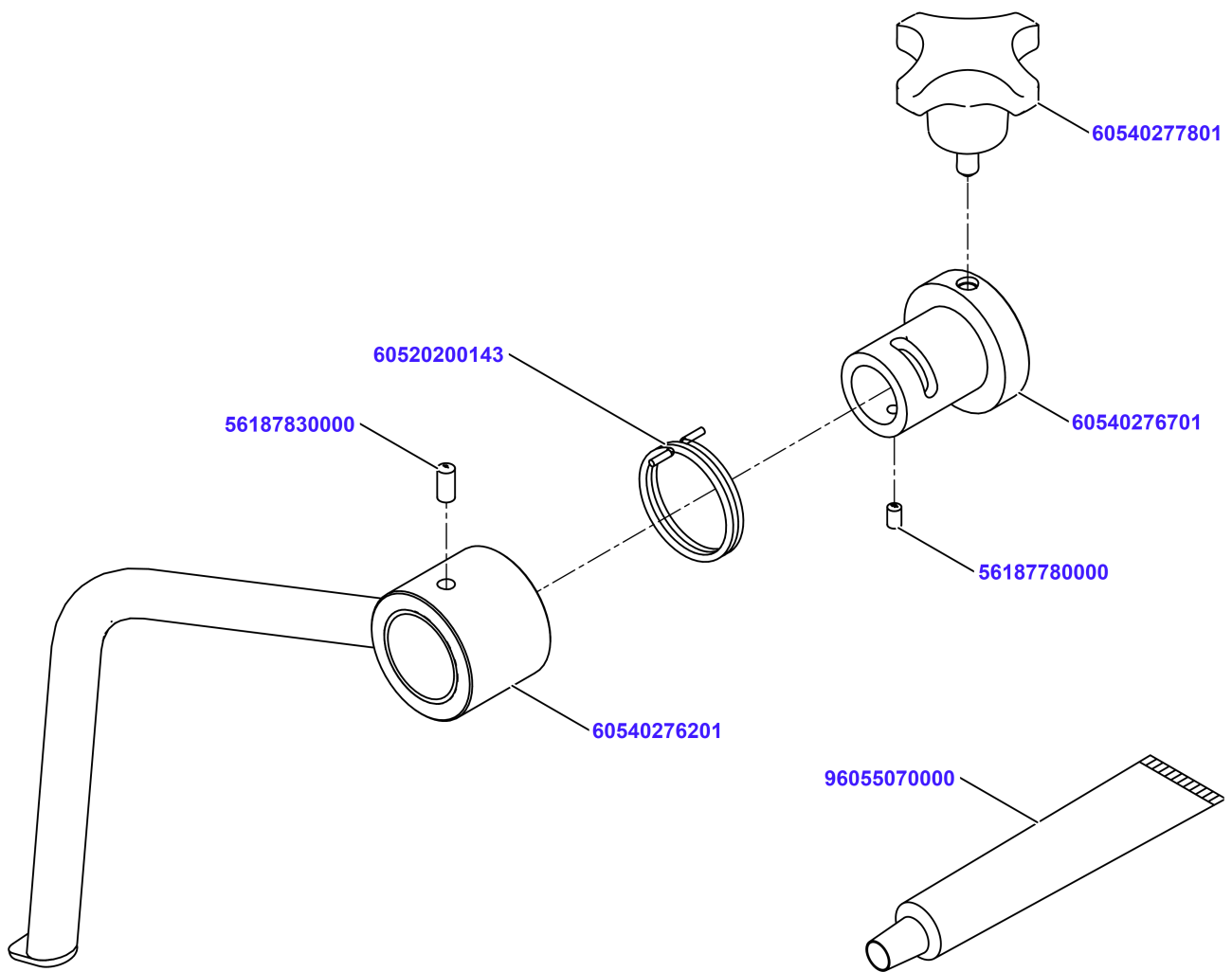
Product Supporter top NSF cpl










Product Supporter top NSF cpl

Material No.	Qty	Material description	available for order	Wear part	Recomm. sp. part	Metr. relevance
38061640001	1	Mounting welded	✓			
38037789000	1	shaft	✓			
60540276101	1	HOULDING DOWN DEVICE ASS.	✓			
38044136000	1	LOCKING SCREW	✓			

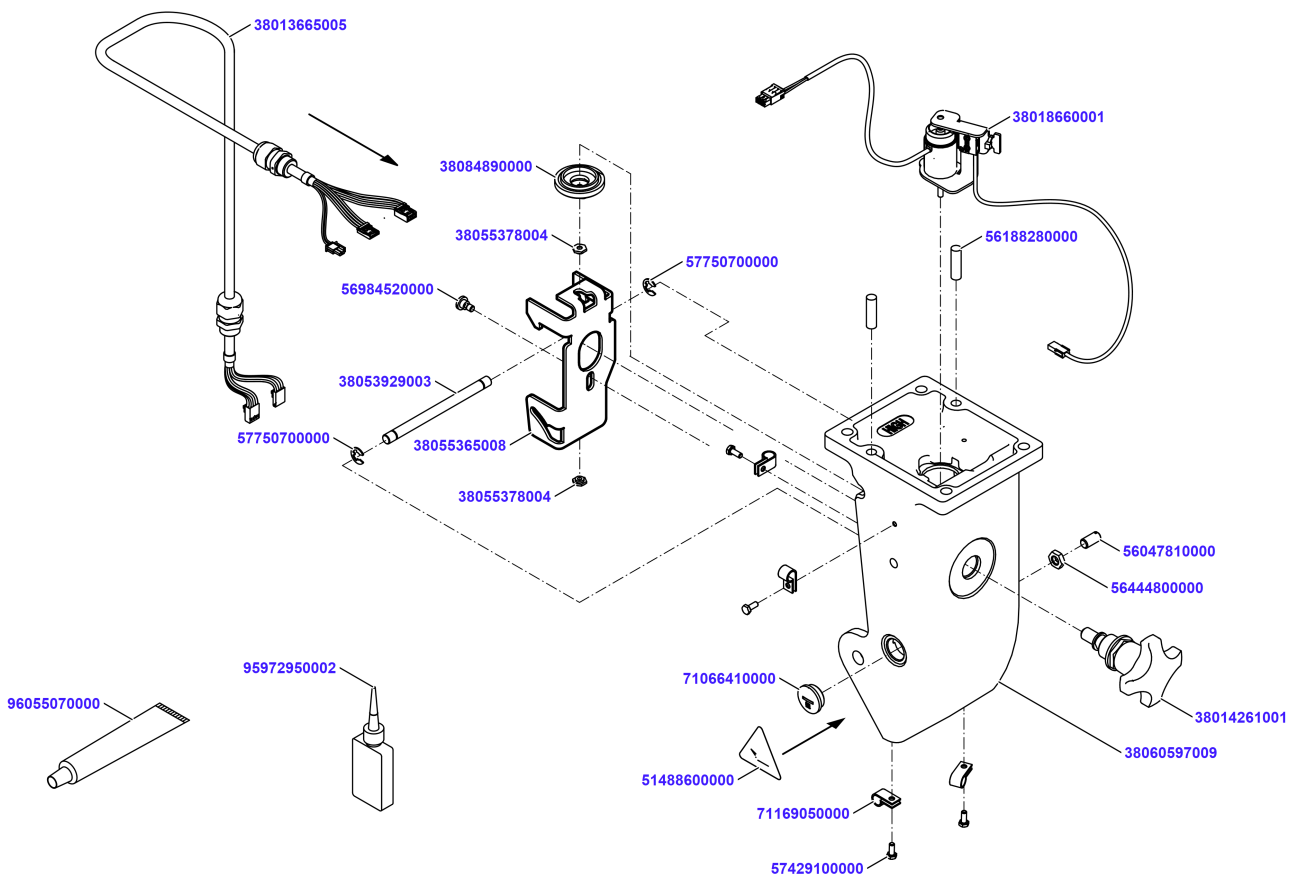
HOULDING DOWN DEVICE ASS.



HOULDING DOWN DEVICE ASS.

Material No.	Qty	Material description	available for order	Wear part	Recomm. sp. part	Metr. relevance
60540276201	1	Holding Down Device preass.				
60540276701	1	hub				
60540277801	1	LOCKING SCREW				
60520200143	1	torsion spring				
56187830000	1	Cylindrical pin EN 22338-5m6x10-A2				
96055070000	0,005	Grease PARALIQ GA 343				
56187780000	1	Cylindrical pin EN 22338-4m6x6-A2				

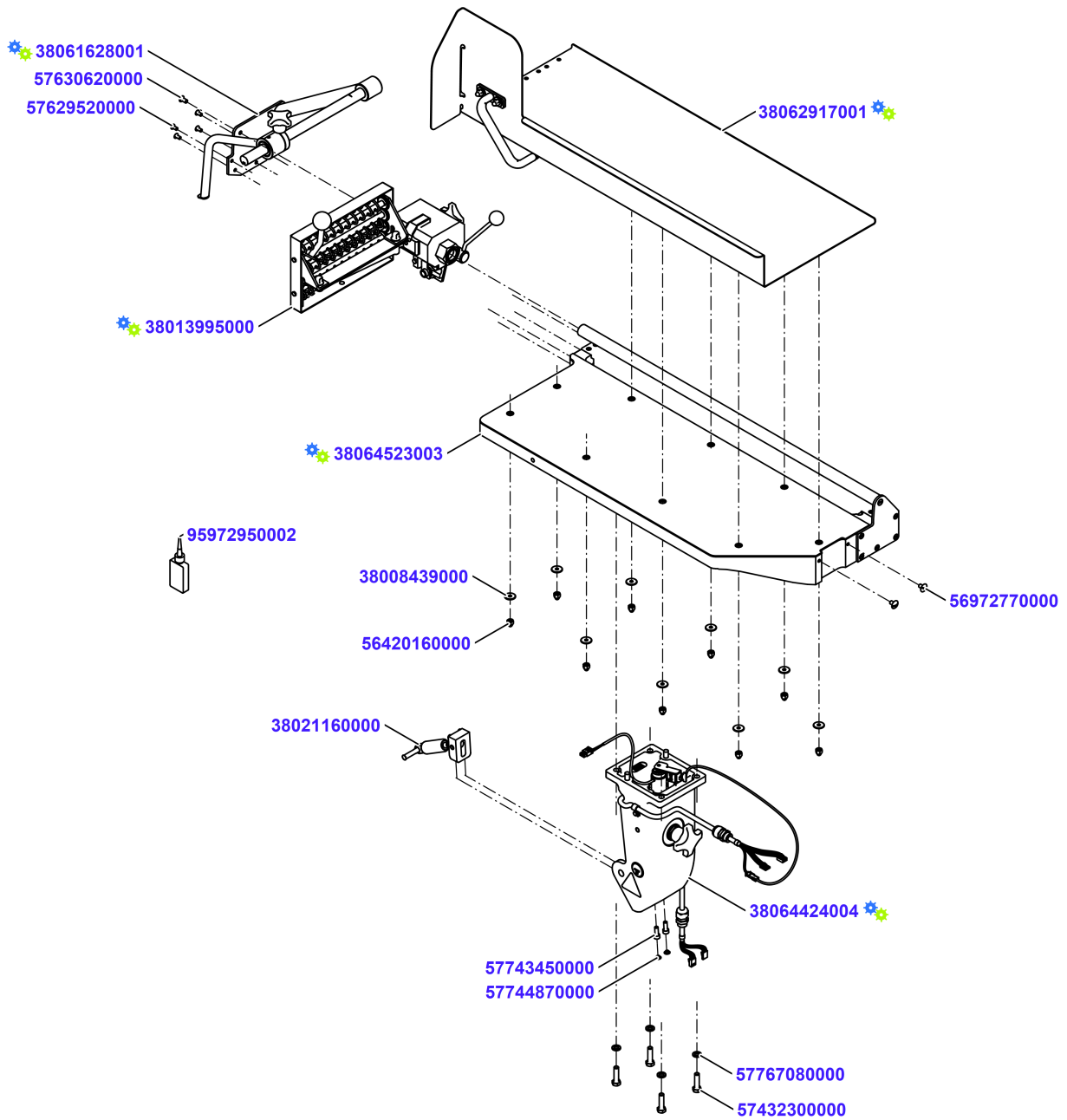
Carriage Foot high cpl



Carriage Foot high cpl

Material No.	Qty	Material description	available for order	Wear part	Recomm. sp. part	Metr. relevance
38060597009	1	Carriage Foot high mach	✓			
56188280000	2	Cylindrical pin EN 22338-8m6x28-A2	✓			
56047810000	1	Set screw DIN551 M8x16-PA 66	✓			
56444800000	1	Hexagon nut DIN439-M8-A2	✓			
38018660001	1	Magnet preass	✓	✓	✓	
38084890000	1	Cap preass	✓			
38055378004	2	Hexagon nut	✓			
95972950002	0,001	Loctite 243 50 ml	✓			
38055365008	1	Interlock	✓			
96055070000	0,001	Grease PARALIQ GA 343	✓			
56984520000	1	Pan head screw DIN923 M5x4A2-70	✓			
71066410000	1	Plug Round M20x1.5	✓			
38014261001	1	Handle preass	✓			
38053929003	1	Stop Bolt	✓			
57750700000	2	Retaining washer DIN6799-7	✓			
71169050000	4	Cable Clamp nylon 7,4mm NK-5N	✓			
38013665005	1	Ka Rd 12x24AWG 0,87m	✓			
57429100000	4	Hexagon screw DIN933 M4x10 A2-70	✓			
51488600000	1	Warning Plate Hand Injury 7.29K	✓			

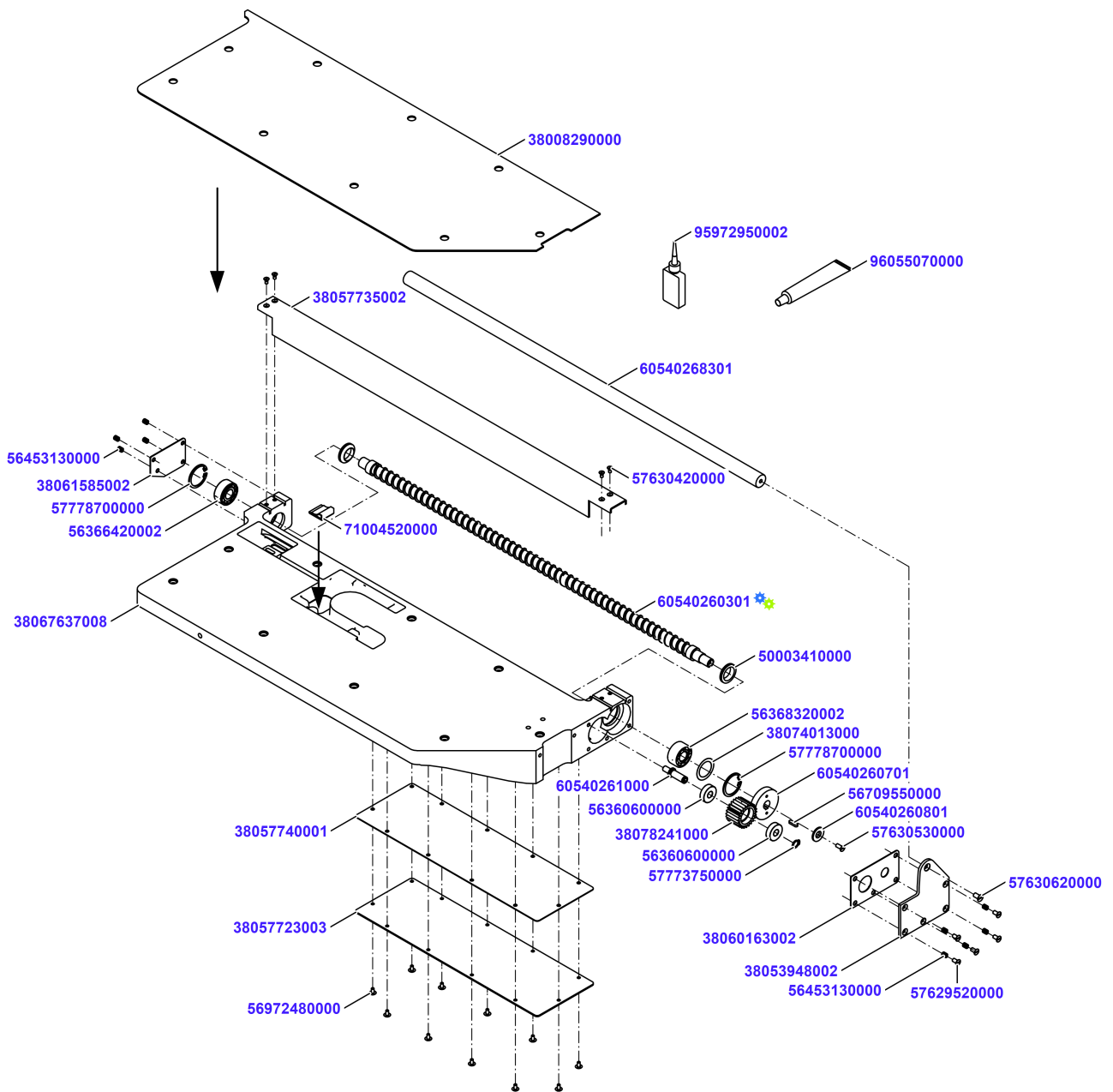
Carriage 600



Carriage 600

Material No.	Qty	Material description	available for order	Wear part	Recomm. sp. part	Metr. relevance
38064523003	1	Carriage 600 cpl.				
38062917001	1	Carriage Plate Template preass	✓			
56420160000	9	Cap nut DIN986-M6-A2	✓			
38008439000	9	Sealing washer M6	✓		✓	
56972770000	2	Mushroom head screw M6x10-A2-70	✓			
38013995000	1	Product Holder non folding NSF cpl				
38061628001	1	Product Supporter top cpl				
57629520000	4	Countersunk screw DIN963 M5x10-A2-70	✓			
95972950002	0,001	Loctite 243 50 ml	✓			
57630620000	1	Countersunk screw DIN963 M6x12-A2-70	✓			
38064424004	1	Carriage Foot high cpl				
57432300000	4	Hexagon screw DIN933 M8x30 A2-70	✓			
57767080000	4	Spring lock washer DIN128-A8-A2	✓			
38021160000	1	Gas Spring Carriage 600 cpl	✓		✓	
57743450000	2	Cylinder screw DIN912 M6x16-A2-70	✓			
57744870000	2	Protective plug 10x5,2x3,1-PE	✓		✓	

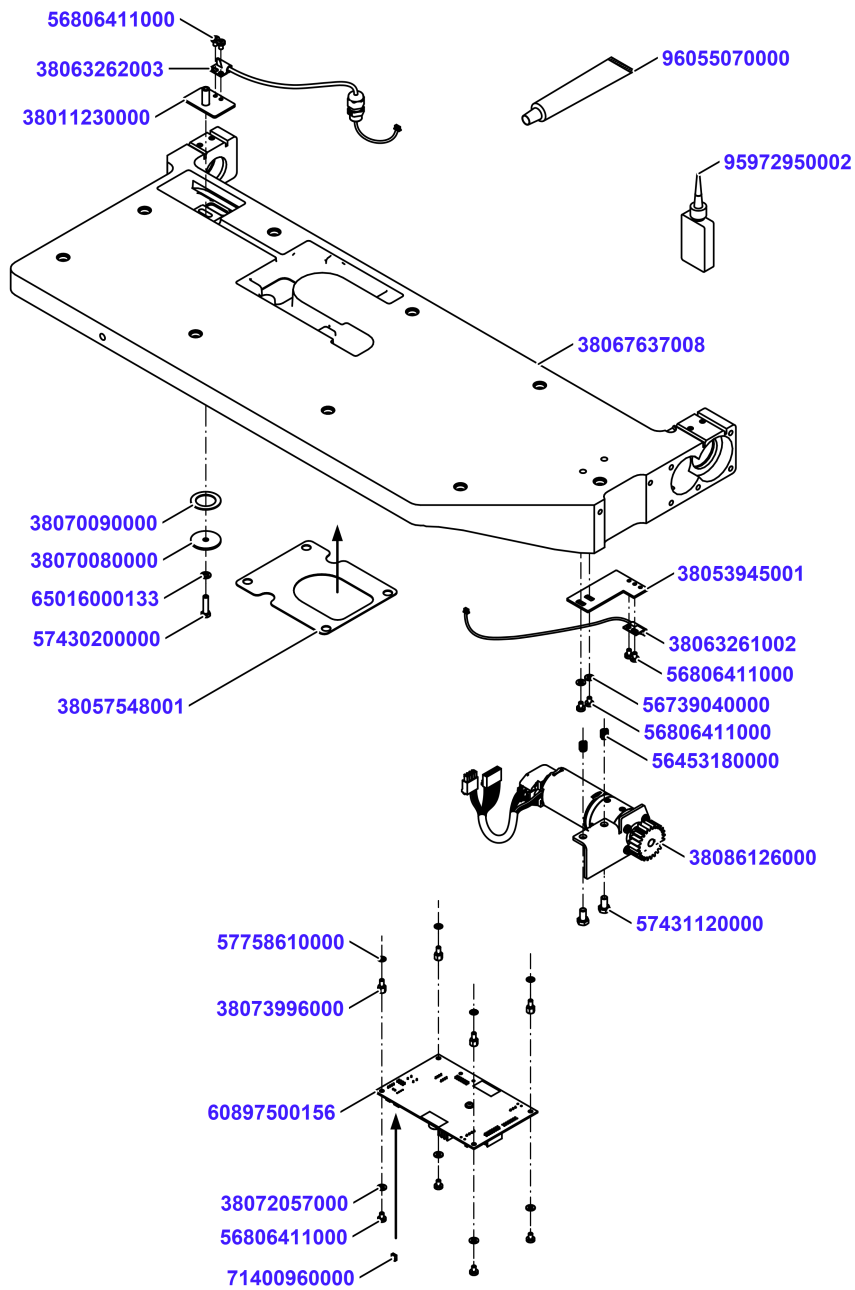
Carriage 600 cpl.



Carriage 600 cpl.

Material No.	Qty	Material description	available for order	Wear part	Recomm. sp. part	Metr. relevance
38067637008	1	Carriage 600 cast machined	✓			
56453130000	9	Thread insert M5x7,5-A2	✓			
56366420002	1	Self-Aligning Ball Bearing 2202	✓			
57778700000	1	Retaining ring DIN472-35x1,5	✓			
50003410000	1	Wiper ring 30x20x7	✓			
60540260301	1	Feed Spindle ass.	✓			
50003410000	1	Wiper ring 30x20x7	✓			
56368320002	1	Angular bearing double-row 15x35x15,9	✓			
57778700000	1	Retaining ring DIN472-35x1,5	✓			
38074013000	1	Shim ring DIN988-25x35x0,1	✓			
60540260701	1	Gear Wheel	✓			
96055070000	0,001	Grease PARALIQ GA 343	✓			
56709550000	1	Parallel key DIN6885-A 5x3x16	✓			
60540260801	1	Washer	✓			
57630530000	1	Countersunk screw DIN963 M5x12-A2-70	✓			
95972950002	0,001	Loctite 243 50 ml	✓			
60540261000	1	bolt	✓			
38078241000	1	Gear Wheel	✓			
56360600000	2	Grooved ball bearing DIN625 10x26x8	✓			
57773750000	1	Retaining ring DIN471-10x1	✓			
38057735002	1	Guide Rail 600er	✓			
57630420000	4	Countersunk screw DIN963 M4x8-A2-70	✓			
71004520000	1	Flat Cabel Holder 3484-1000	✓			
38053948002	1	Flange	✓			
38060163002	1	Sealing	✓		✓	
57629520000	5	Countersunk screw DIN963 M5x10-A2-70	✓			
38061585002	1	sealing	✓		✓	
60540268301	1	guide shaft	✓		✓	
57630620000	1	Countersunk screw DIN963 M6x12-A2-70	✓			
38008290000	1	Seal Carriage Plate 705x260x2	✓		✓	
38057723003	1	Cover 378x119,1x2	✓			
38057740001	1	Seal long	✓		✓	
56972480000	11	Mushroom head screw M4x8-A2-70 Tuflok	✓			

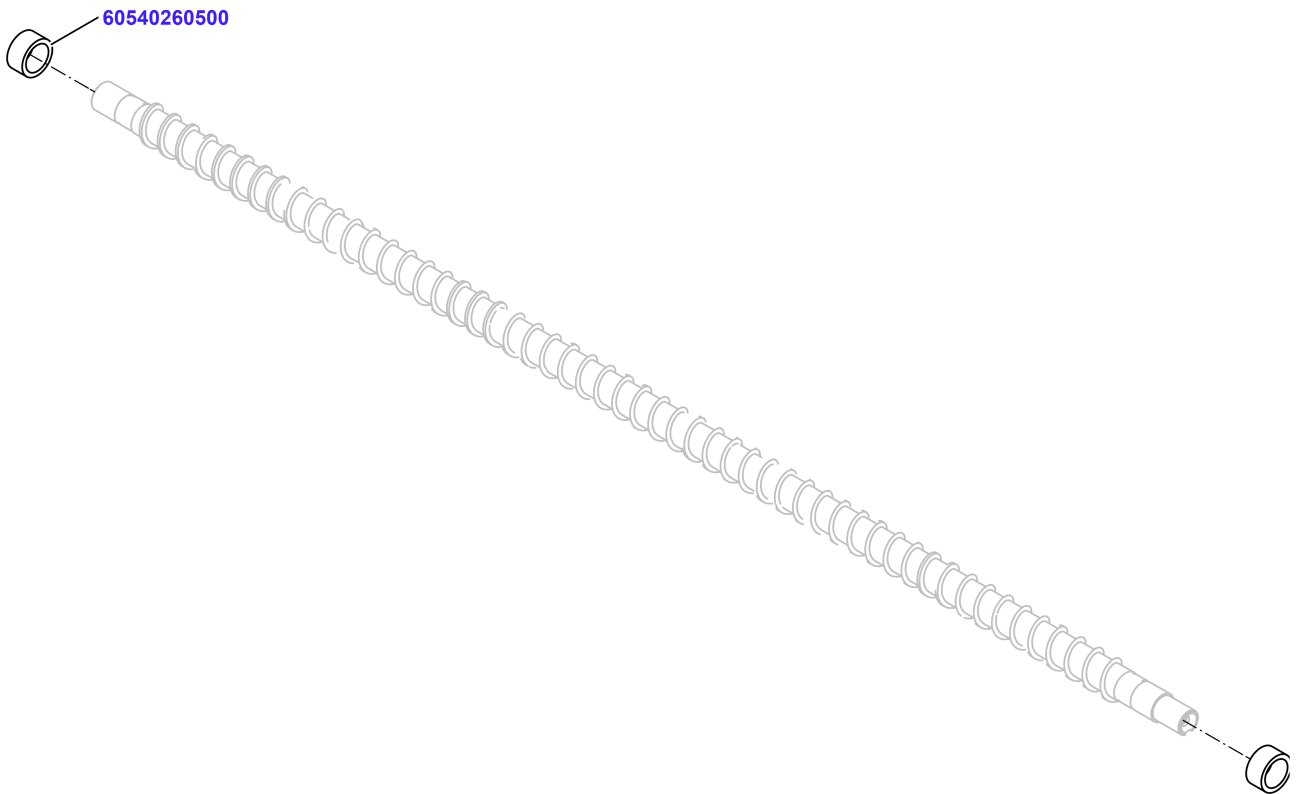
Carriage 600 cpl.



Carriage 600 cpl.

Material No.	Qty	Material description	available for order	Wear part	Recomm. sp. part	Metr. relevance
38067637008	1	Carriage 600 cast machined	✓			
56453180000	2	Threaded insert M6x9	✓			
96055070000	0,001	Grease PARALIQ GA 343	✓			
95972950002	0,001	Loctite 243 50 ml	✓			
38053945001	1	Board	✓			
38063261002	1	Sensor product feeding 1 VSI	✓			
56806411000	4	Oval-head screw ISO14583 M4x6-A2-70-T20	✓			
56739040000	2	Washer DIN125-A 4.3-A2-70	✓			
38011230000	1	Board cpl	✓			
38063262003	1	Sensor product feeding 2 VSI	✓			
56806411000	2	Oval-head screw ISO14583 M4x6-A2-70-T20	✓			
38070080000	1	Washer	✓			
38070090000	1	Sealing	✓		✓	
57430200000	1	Hexagon screw DIN933 M5x20 A2-70	✓			
65016000133	1	Washer 5-PA	✓			
38086126000	1	Motor Product Feeding BG42x15 cpl	✓			
57431120000	2	Hexagon screw DIN933 M6x12 A2-70	✓			
60897500156	1	Bootl.+ PCBA MC 3ph 2ch lv bus	✓			
71400960000	1	Short Circuit Bracket 3131 731000406	✓		✓	
57758610000	4	Toothed washer DIN6797-A 4,3-Fst	✓			
38073996000	4	Distance bolt SW7x6 M4-M4 In-Out	✓			
56806411000	4	Oval-head screw ISO14583 M4x6-A2-70-T20	✓			
38072057000	4	Washer DIN125-A-4-PA6	✓			
38057548001	1	Seal	✓		✓	

Feed Spindle ass.



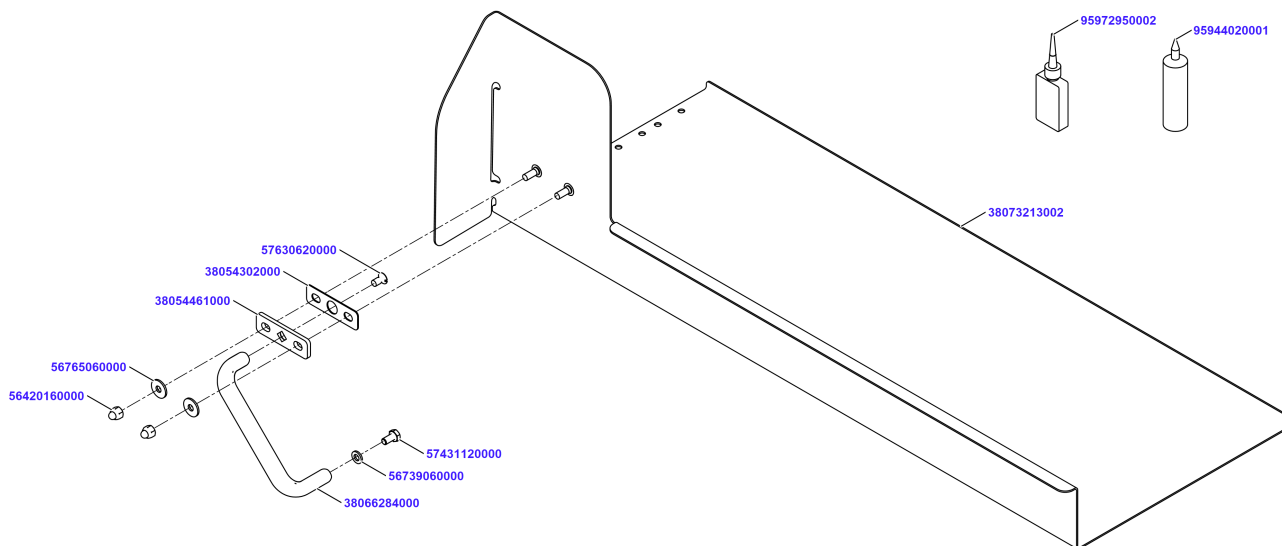
Feed Spindle ass.

Material No.	Qty	Material description
--------------	-----	----------------------

60540260500	2	ring
-------------	---	------

available for order
Wear part
Recomm. sp. part
Metr. relevance

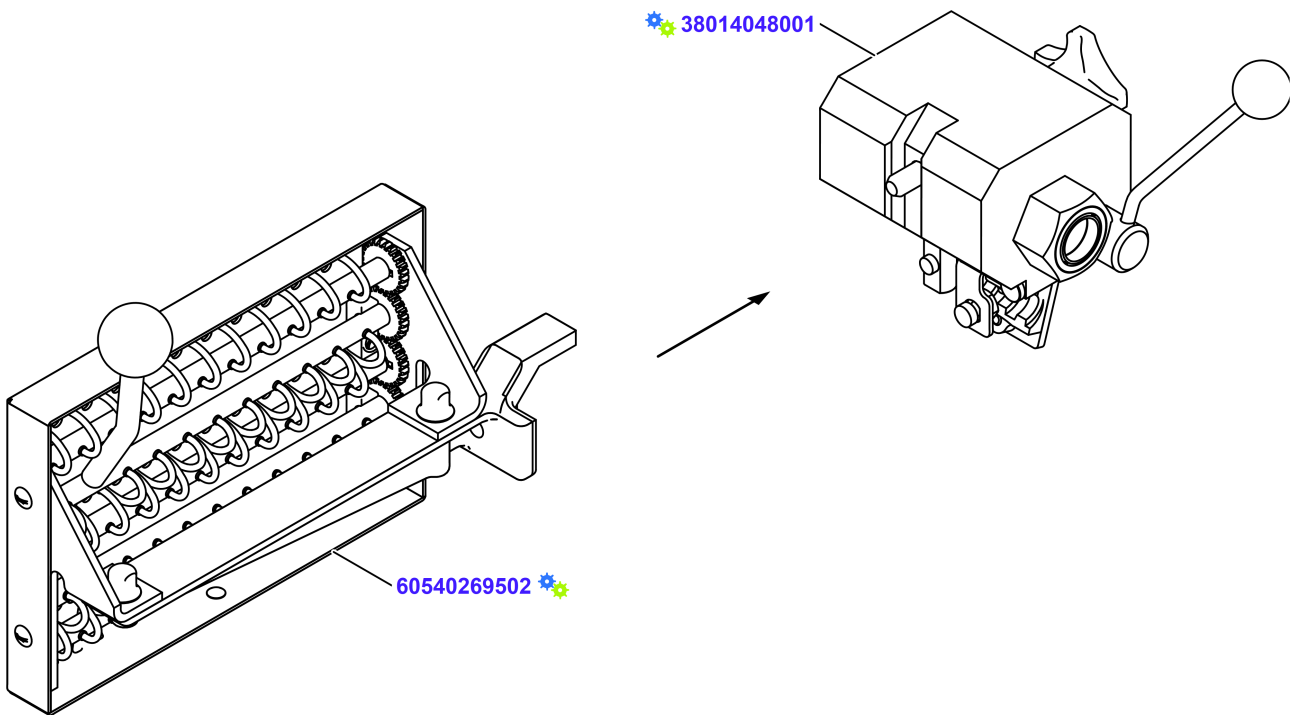
Carriage Plate Template press



Carriage Plate Template press

Material No.	Qty	Material description	available for order	Wear part	Recomm. sp. part	Metr. relevance
38073213002	1	Carriage Plate welded	✓			
38066284000	1	Handle	✓			
38054461000	1	Plate	✓			
38054302000	1	Gasket	✓		✓	
95944020001	10	Silicone Rubber Elastosil E41 90ml	✓			
57630620000	1	Countersunk screw DIN963 M6x12-A2-70	✓			
95972950002	0,001	Loctite 243 50 ml	✓			
56420160000	2	Cap nut DIN986-M6-A2	✓			
56765060000	2	Washer DIN9021-6-A2	✓			
57431120000	1	Hexagon screw DIN933 M6x12 A2-70	✓			
56739060000	1	Washer DIN125-A-6-A2	✓			

Product Holder non folding NSF cpl

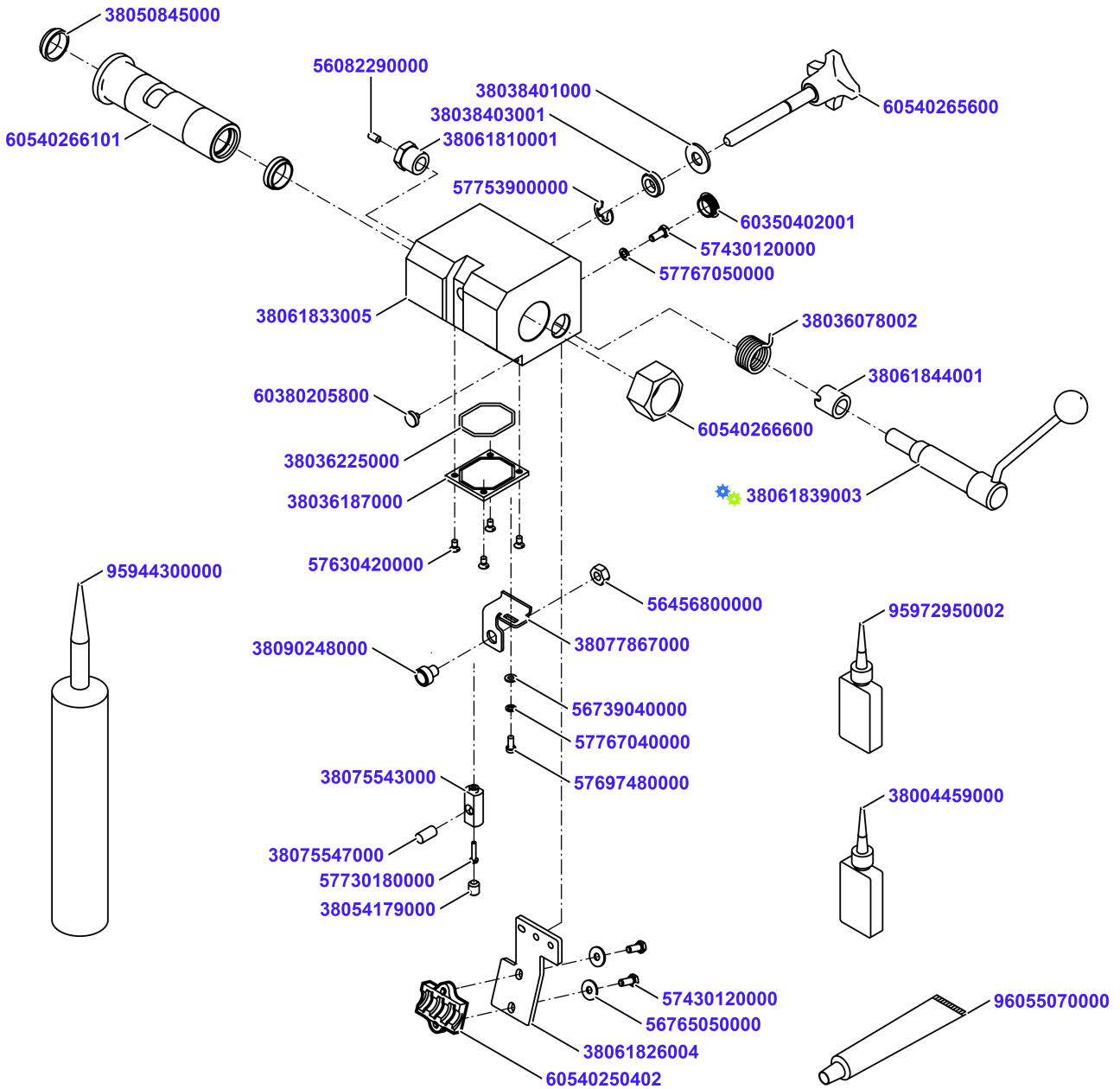


Product Holder non folding NSF cpl

Material No.	Qty	Material description
38014048001	1	Product Holder Guide NSF cpl
60540269502	1	Product holder ass.

available for order
Wear part
Recomm. sp. part
Metr. relevance

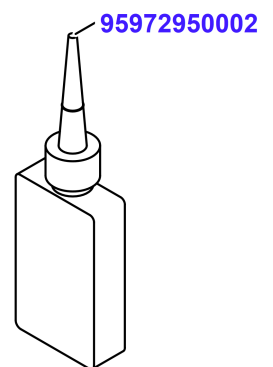
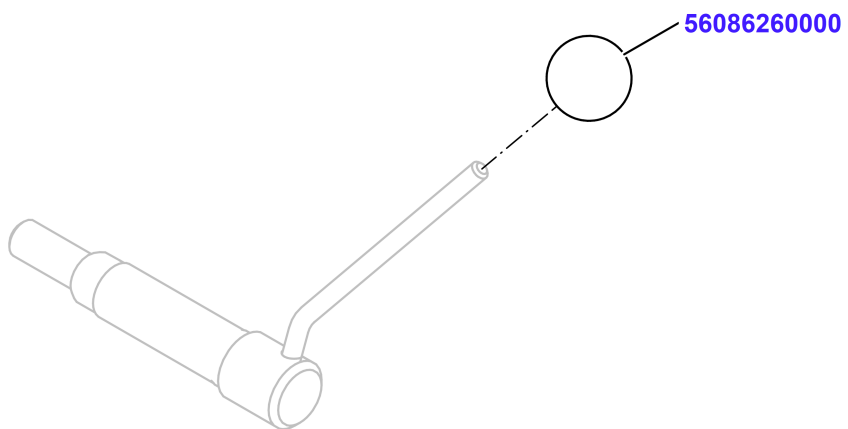
Product Holder Guide NSF cpl



Product Holder Guide NSF cpl

Material No.	Qty	Material description	available for order	Wear part	Recomm. sp. part	Metr. relevance
38061833005	1	Product Holder Guide	✓			
60540265600	1	locking lever mount.	✓			
38038401000	1	washer	✓			
38038403001	1	Bushing 19,1x10,7x5	✓			
57753900000	1	Retaining washer DIN6799-9	✓			
60540266101	1	Bushing complete	✓	✓	✓	
38050845000	2	Deflector Ring	✓			
60540266600	1	hex nut	✓			
38061839003	1	Bolt NSF cpl	✓			
38061844001	1	Sleeve	✓			
38036078002	1	torsion spring left	✓			
96055070000	0,005	Grease PARALIQ GA 343	✓			
38061810001	1	Screw Nut	✓			
38004459000	0,001	Loctite 648	✓			
56082290000	1	Set screw DIN438 M5x10-A2-70	✓			
95972950002	0,001	Loctite 243 50 ml	✓			
38061826004	1	Holder	✓			
60540250402	1	Nut Plate	✓	✓	✓	
56765050000	2	Washer DIN9021-5-A2	✓			
57767050000	1	Spring lock washer DIN128-A5-FSt	✓			
57430120000	3	Hexagon screw DIN933 M5x12 A2-70	✓			
60350402001	1	Protective plug	✓			
95944300000	1	Kitchen silicone ELASTO4710	✓			
38036187000	1	cover	✓			
38036225000	1	seal	✓		✓	
57630420000	4	Countersunk screw DIN963 M4x8-A2-70	✓			
38077867000	1	Magnet Base	✓			
38090248000	1	Magnet Vacodym 370 wz round 10x4 preass	✓		✓	
56456800000	1	Hexagon nut DIN934-M8-A2	✓			
57697480000	1	Cylinder screw DIN84 M4x10-A2-70	✓			
56739040000	1	Washer DIN125-A 4.3-A2-70	✓			
57767040000	1	Spring lock washer DIN128-A4-FSt	✓			
38075543000	1	Mounting Pin	✓			
57730180000	1	Oval-head screw ISO14583 M3x16-A2-70-T10	✓			
38075547000	1	Parallel Pin 8x15	✓			
38054179000	1	Set screw DIN438 M8x10-A2-70	✓			
60380205800	1	SLIDE PIN	✓			

Bolt NSF cpl

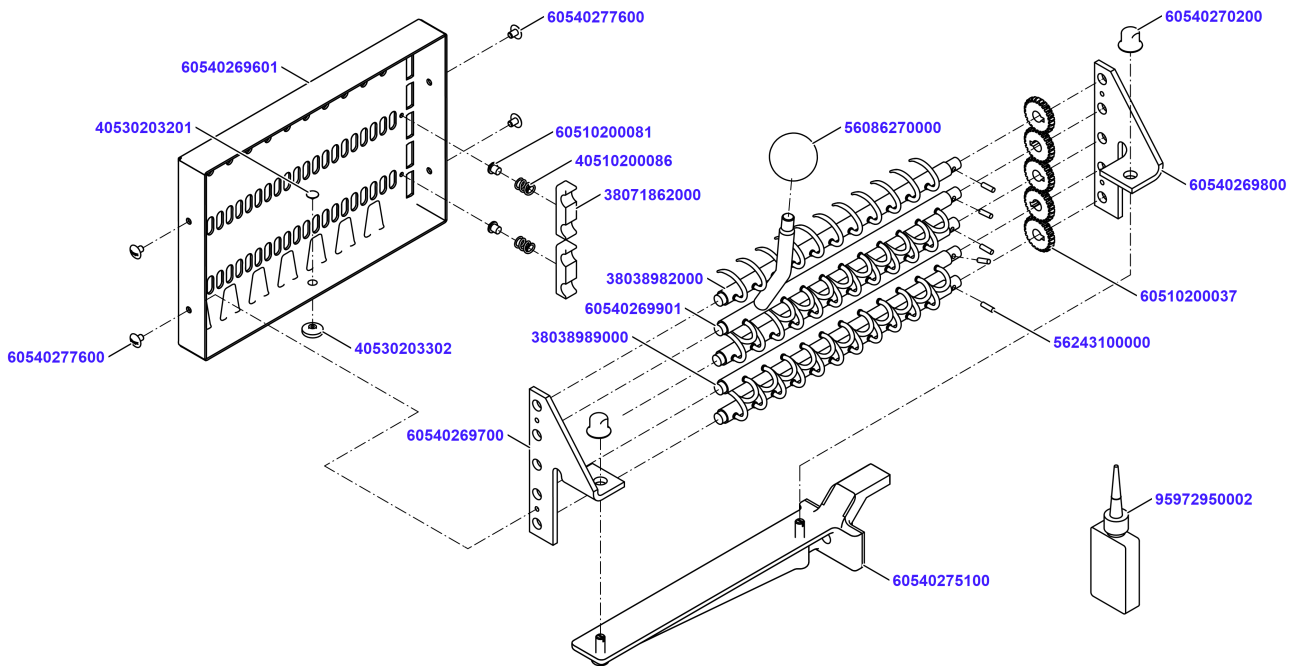


Bolt NSF cpl

Material No.	Qty	Material description
56086260000	1	Ball knob DIN319 M6x25 I
95972950002	0,001	Loctite 243 50 ml

available for order
Wear part
Recomm. sp. part
Metr. relevance

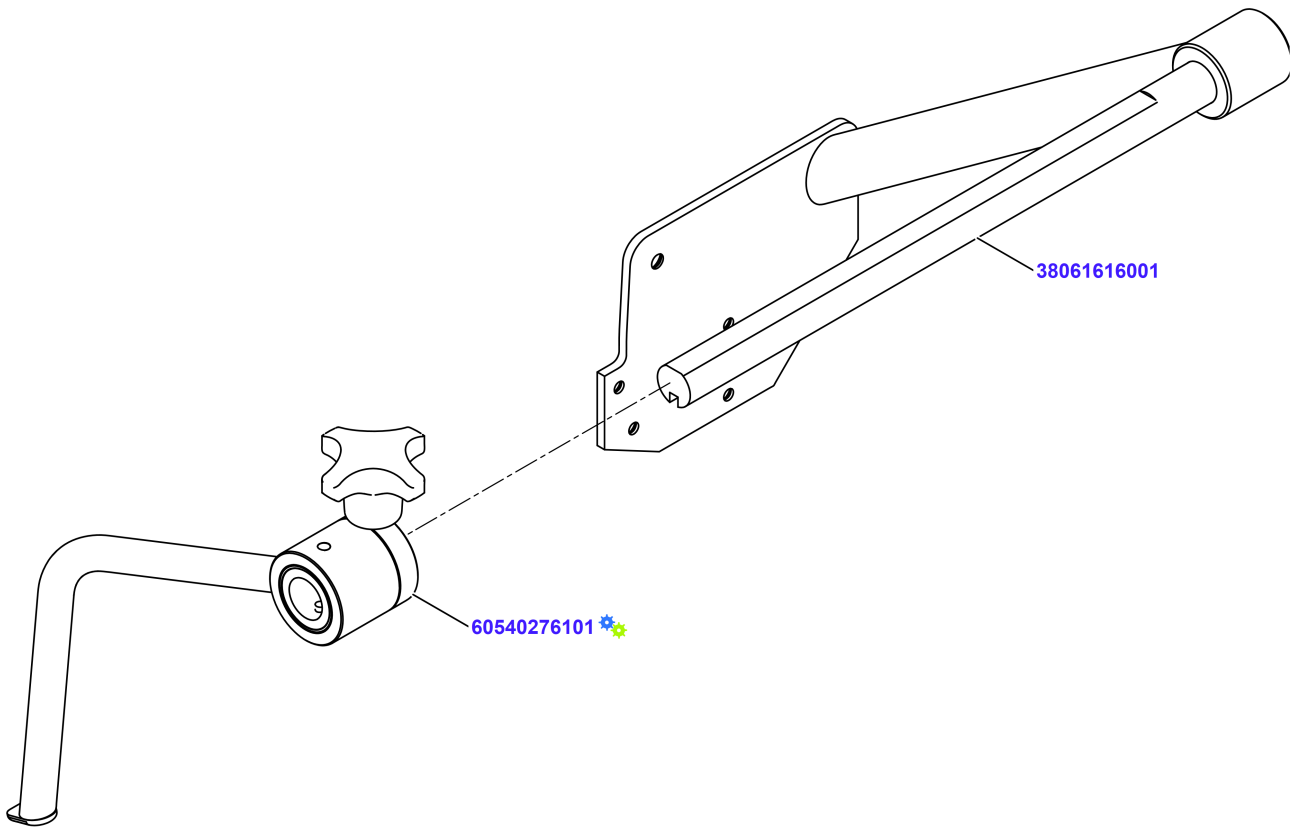
Product holder ass.



Product holder ass.

Material No.	Qty	Material description	available for order	Wear part	Recomm. sp. part	Metr. relevance
60540269601	1	product holder	✓			
60510200081	2	collar stud	✓			
60540269700	1	Side frame left	✓			
60540269800	1	Side frame right	✓			
38038982000	3	Gripper Shaft cpl.	✓			
38038989000	1	Gripper Shaft cpl.	✓			
60540269901	1	Gripper Shaft cpl	✓			
56086270000	1	Ball knob DIN319 M8x32 I	✓			
56243100000	5	Cylindrical pin EN 22338-3h11x10-A2	✓			
60510200037	5	Pinion	✓			
40510200086	2	Pressure spring	✓			
38071862000	2	brake pad	✓			
60540277600	4	self-tapping screw	✓			
60540275100	1	Holder preass.	✓			
60540270200	2	cap nut	✓		✓	
95972950002	0,001	Loctite 243 50 ml	✓			
40530203201	1	push button	✓			
40530203302	1	sliding piece	✓		✓	

Product Supporter top cpl

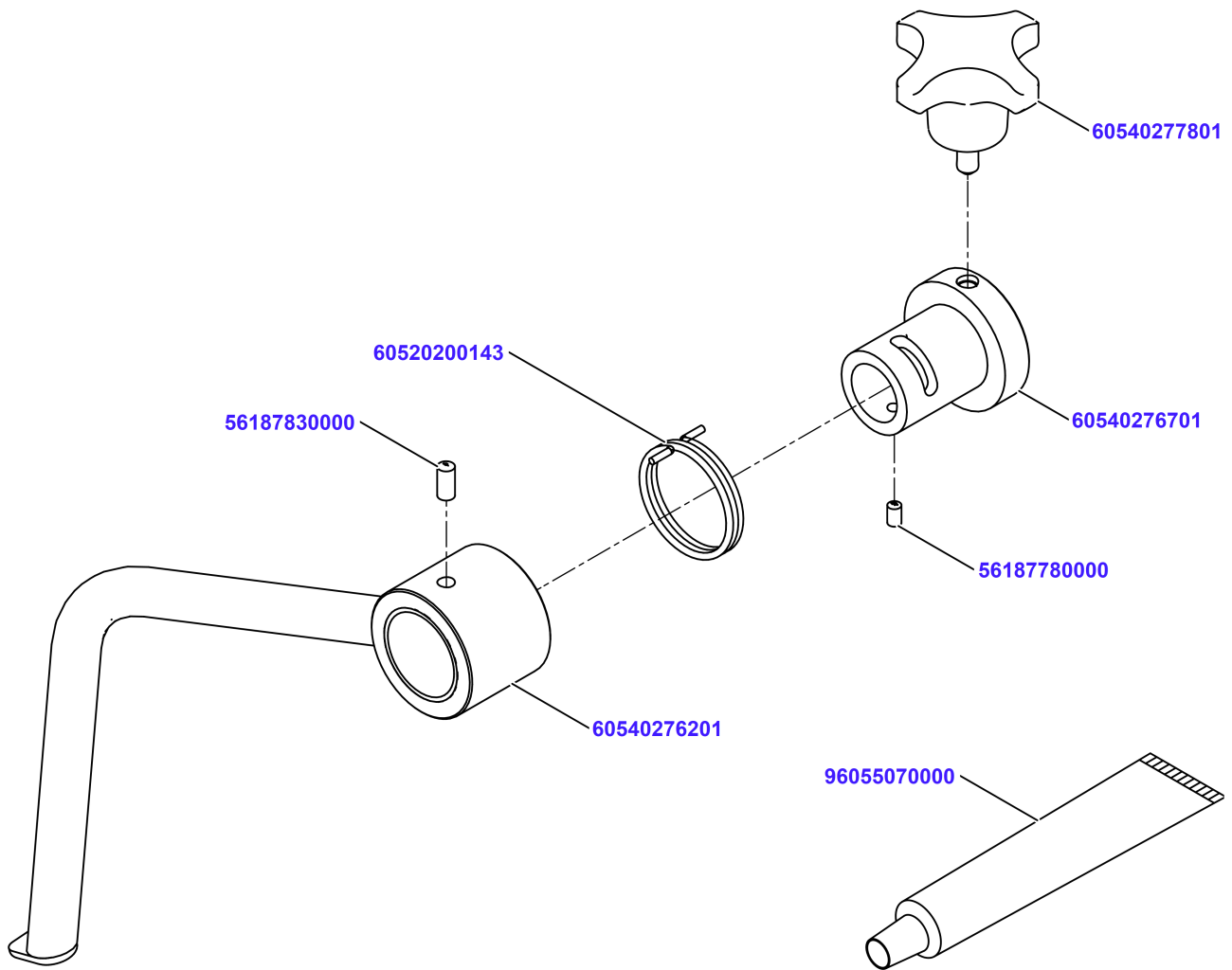


Product Supporter top cpl

Material No.	Qty	Material description
38061616001	1	Mounting with Shaft
60540276101	1	HOULDING DOWN DEVICE ASS.

available for order
Wear part
Recomm. sp. part
Metr. relevance

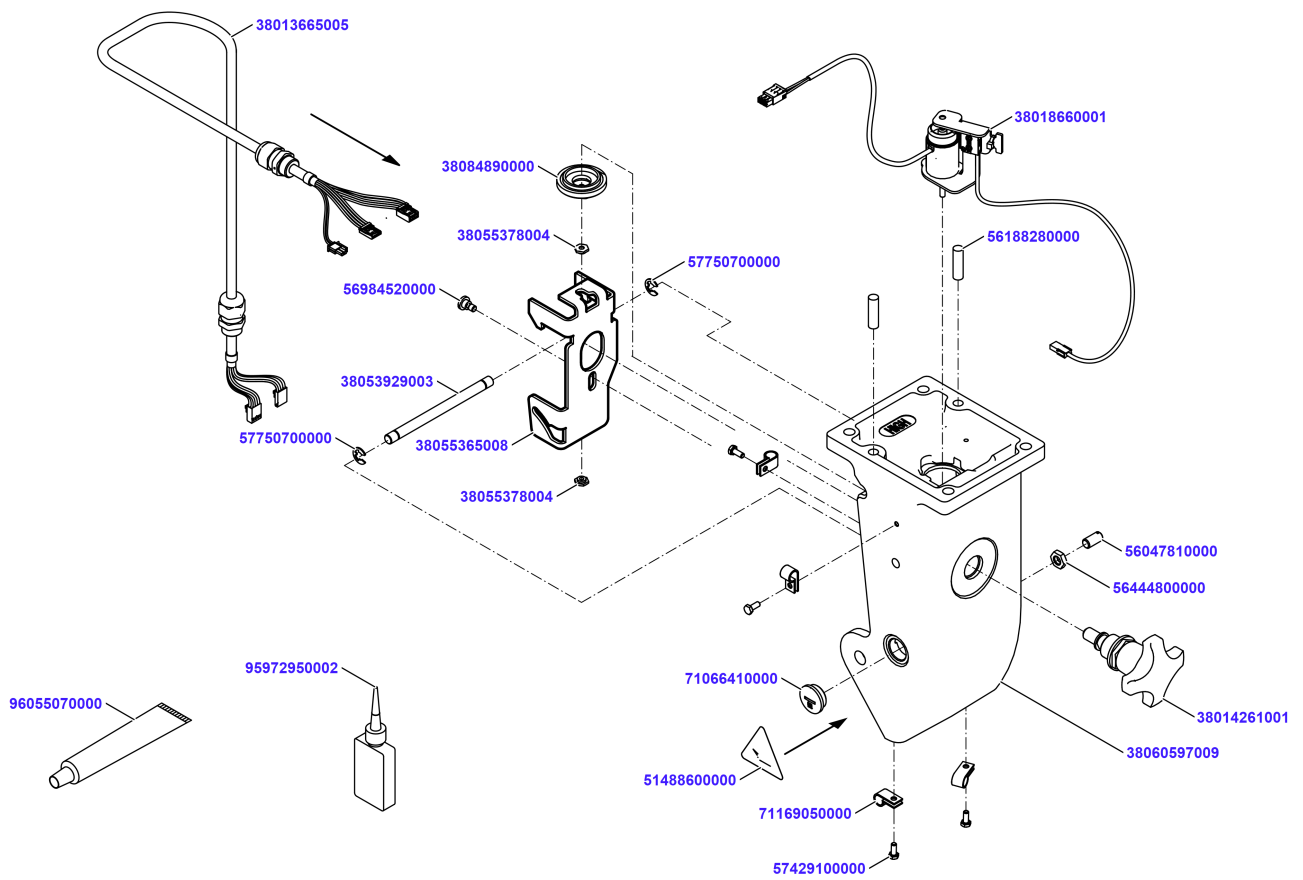
HOULDING DOWN DEVICE ASS.



HOULDING DOWN DEVICE ASS.

Material No.	Qty	Material description	available for order	Wear part	Recomm. sp. part	Metr. relevance
60540276201	1	Holding Down Device preass.				
60540276701	1	hub				
60540277801	1	LOCKING SCREW				
60520200143	1	torsion spring				
56187830000	1	Cylindrical pin EN 22338-5m6x10-A2				
96055070000	0,005	Grease PARALIQ GA 343				
56187780000	1	Cylindrical pin EN 22338-4m6x6-A2				

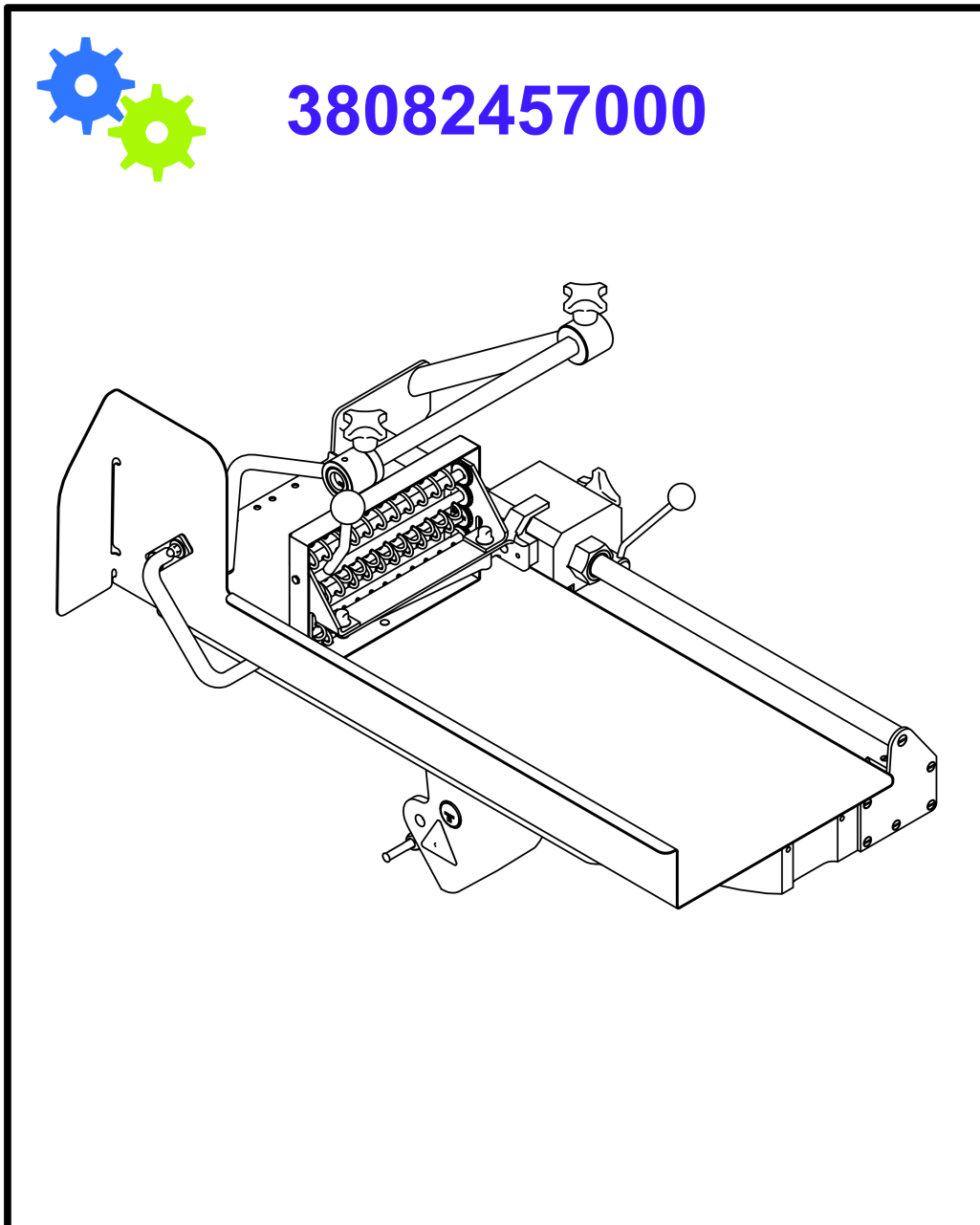
Carriage Foot high cpl



Carriage Foot high cpl

Material No.	Qty	Material description	available for order	Wear part	Recomm. sp. part	Metr. relevance
38060597009	1	Carriage Foot high mach	✓			
56188280000	2	Cylindrical pin EN 22338-8m6x28-A2	✓			
56047810000	1	Set screw DIN551 M8x16-PA 66	✓			
56444800000	1	Hexagon nut DIN439-M8-A2	✓			
38018660001	1	Magnet preass	✓	✓	✓	
38084890000	1	Cap preass	✓			
38055378004	2	Hexagon nut	✓			
95972950002	0,001	Loctite 243 50 ml	✓			
38055365008	1	Interlock	✓			
96055070000	0,001	Grease PARALIQ GA 343	✓			
56984520000	1	Pan head screw DIN923 M5x4A2-70	✓			
71066410000	1	Plug Round M20x1.5	✓			
38014261001	1	Handle preass	✓			
38053929003	1	Stop Bolt	✓			
57750700000	2	Retaining washer DIN6799-7	✓			
71169050000	4	Cable Clamp nylon 7,4mm NK-5N	✓			
38013665005	1	Ka Rd 12x24AWG 0,87m	✓			
57429100000	4	Hexagon screw DIN933 M4x10 A2-70	✓			
51488600000	1	Warning Plate Hand Injury 7.29K	✓			

Carriage stroke 270mm as from 11540650



Carriage stroke 270mm as from 11540650

Material No.	Qty	Material description
38082457000	1	Carriage 600 NSF

available for order

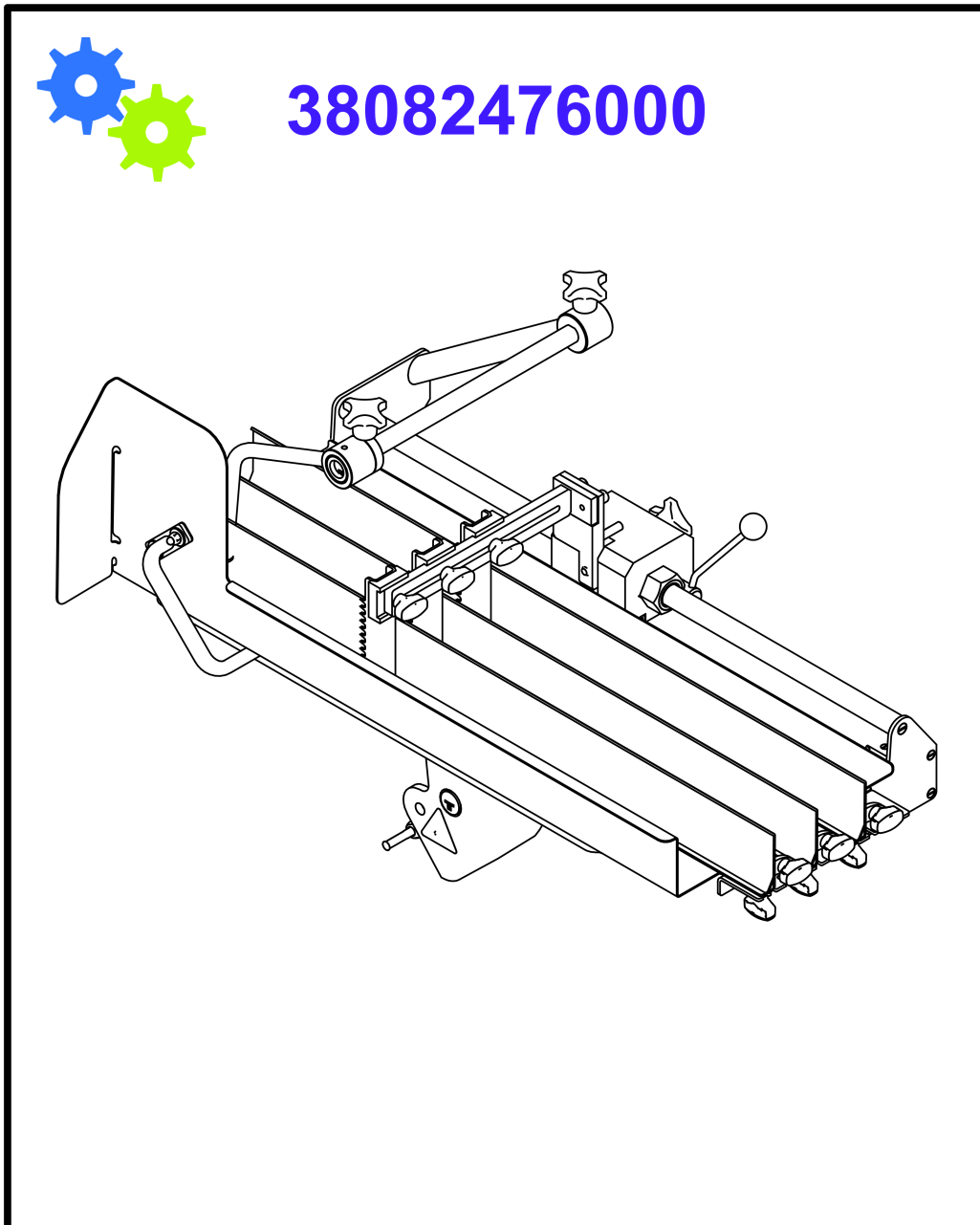
Wear part

Recomm. sp. part

Metr. relevance




Carriage stroke 270mm as from 11540650

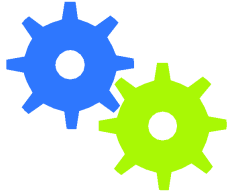


Carriage stroke 270mm as from 11540650

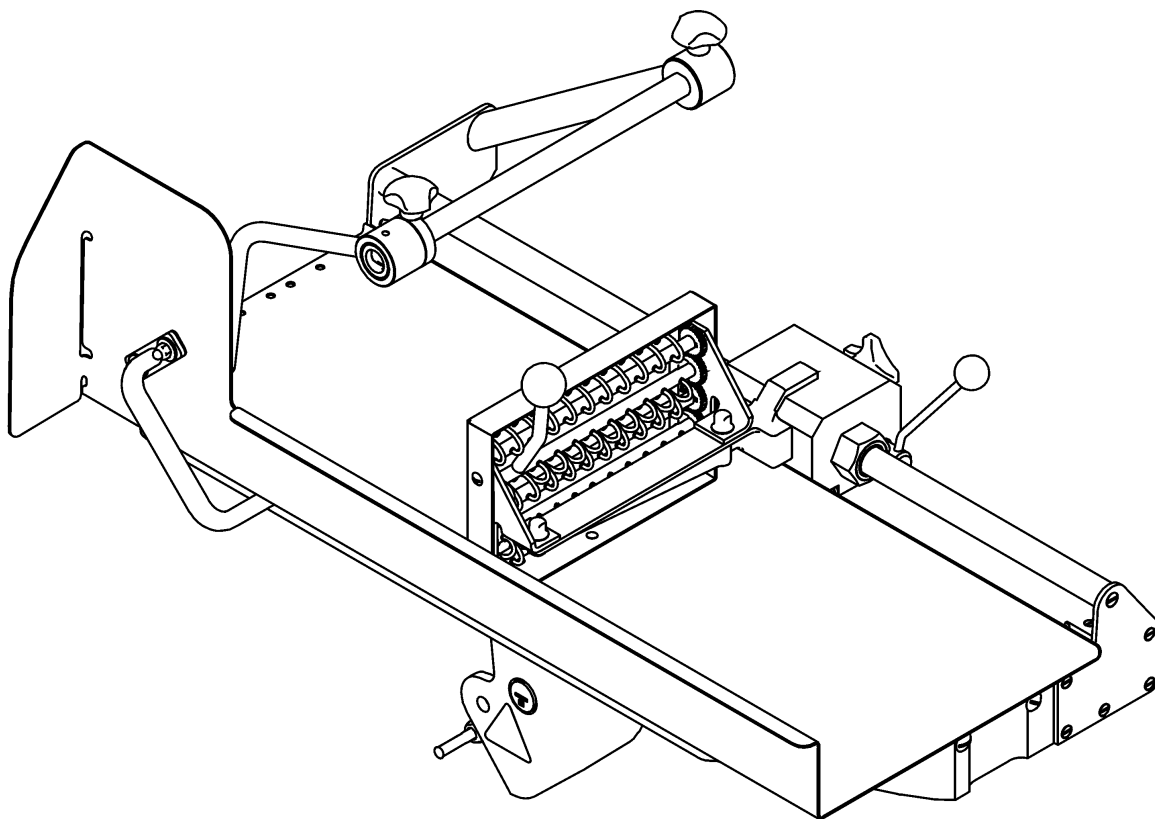
Material No.	Qty	Material description
38082476000	1	Carriage 600 template

	available for order
	Wear part
	Recomm. sp. part
	Metr. relevance

Carriage stroke 270mm as from 11540650



38117002002

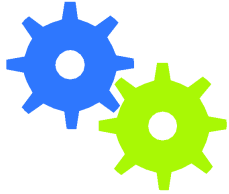


Carriage stroke 270mm as from 11540650

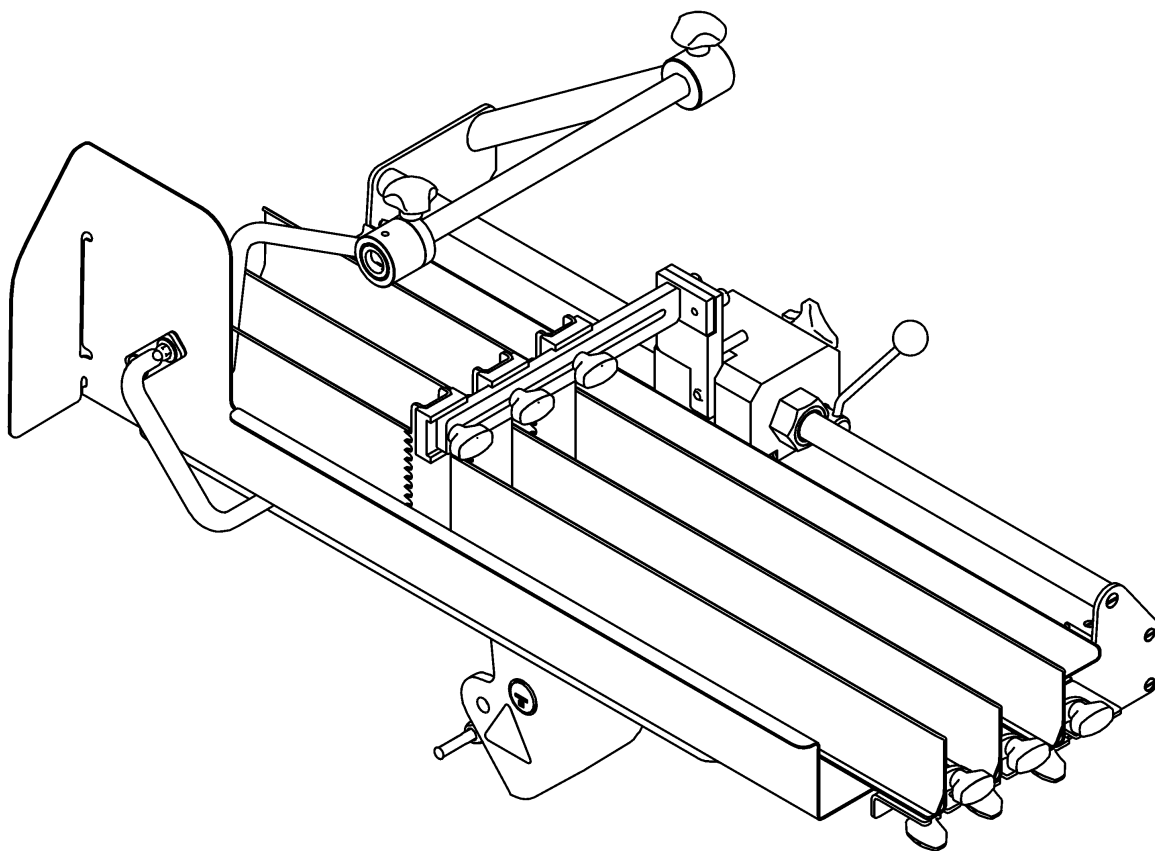
available for order
Wear part
Recomm. sp. part
Metr. relevance

Material No.	Qty	Material description
38117002002	1	Carriage 600 NSF

Carriage stroke 270mm as from 11540650




38117005001

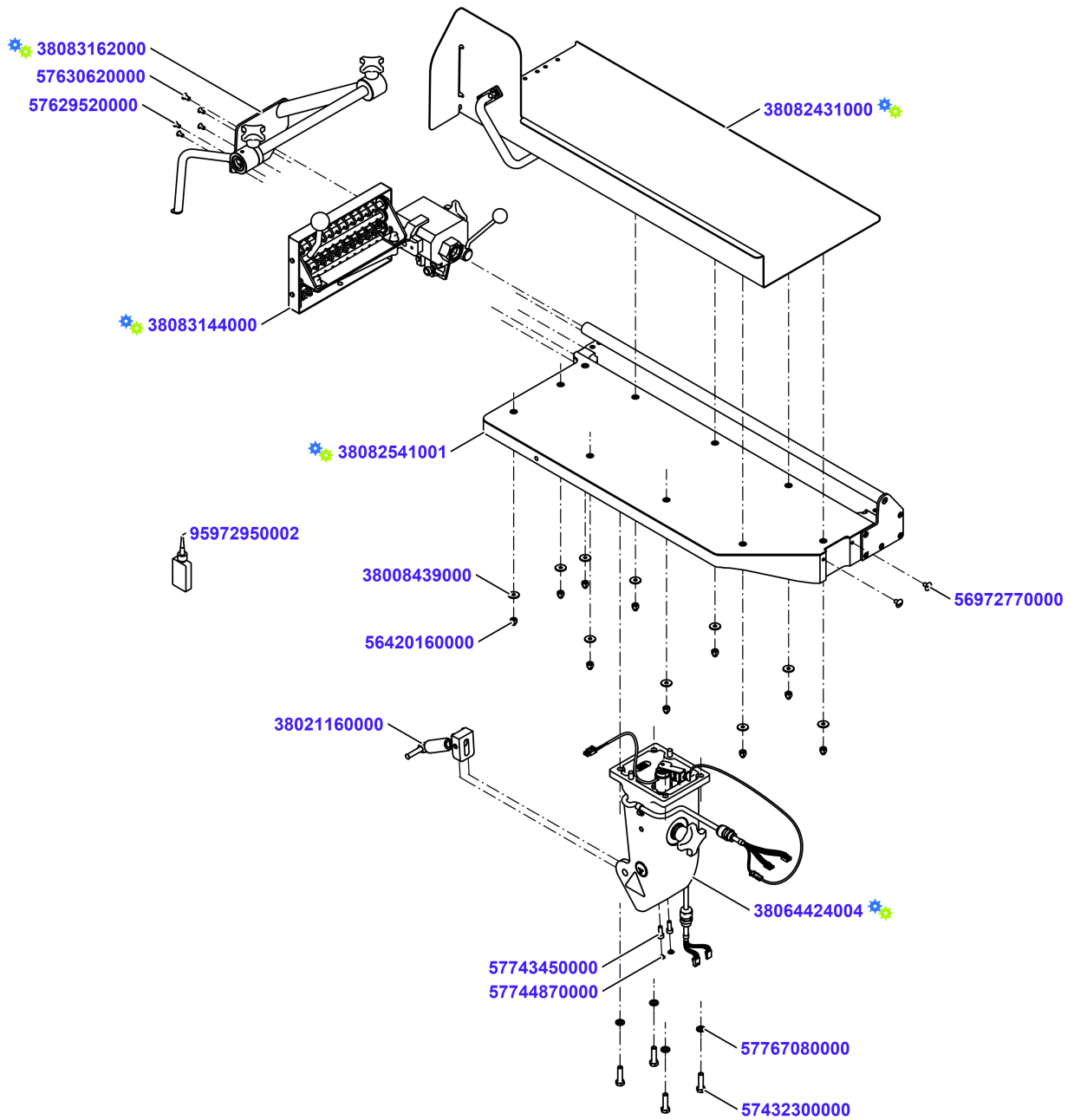


Carriage stroke 270mm as from 11540650

Material No.	Qty	Material description
38117005001	1	Carriage 600 template

	available for order	Wear part	Recomm. sp. part	Metr. relevance
---	---------------------	-----------	------------------	-----------------

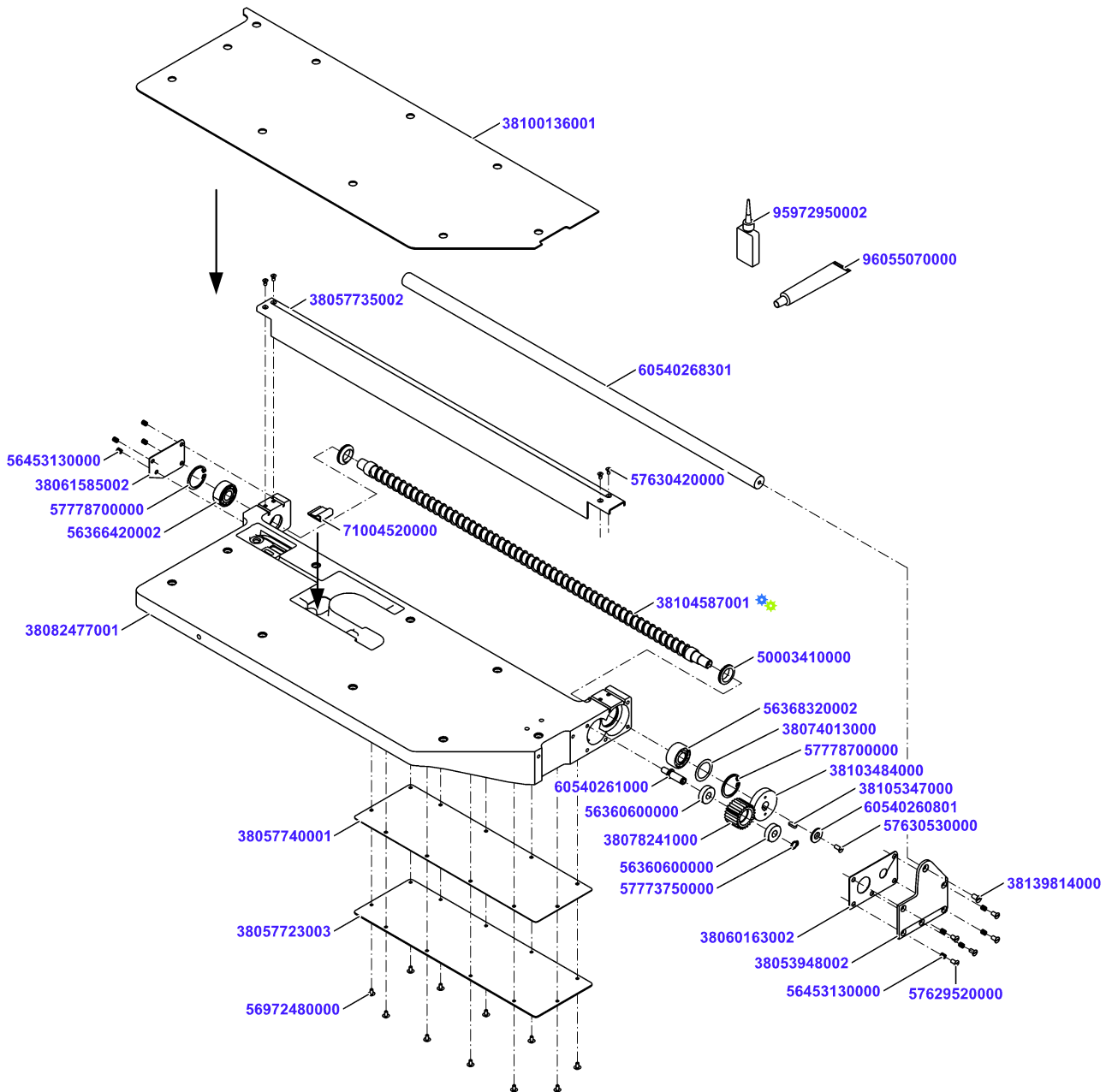
Carriage 600 NSF



Carriage 600 NSF

Material No.	Qty	Material description	available for order	Wear part	Recomm. sp. part	Metr. relevance
38082541001	1	Carriage 600 cpl.				
38082431000	1	Carriage Plate Template preass	✓			
56420160000	10	Cap nut DIN986-M6-A2	✓			
38008439000	10	Sealing washer M6	✓		✓	
56972770000	2	Mushroom head screw M6x10-A2-70	✓			
38083144000	1	Product Holder non folding NSF cpl				
38083162000	1	Product Supporter top NSF cpl				
57629520000	4	Countersunk screw DIN963 M5x10-A2-70	✓			
95972950002	0,001	Loctite 243 50 ml	✓			
57630620000	1	Countersunk screw DIN963 M6x12-A2-70	✓			
38064424004	1	Carriage Foot high cpl				
57432300000	4	Hexagon screw DIN933 M8x30 A2-70	✓			
57767080000	4	Spring lock washer DIN128-A8-A2	✓			
38021160000	1	Gas Spring Carriage 600 cpl	✓		✓	
57743450000	2	Cylinder screw DIN912 M6x16-A2-70	✓			
57744870000	2	Protective plug 10x5,2x3,1-PE	✓		✓	

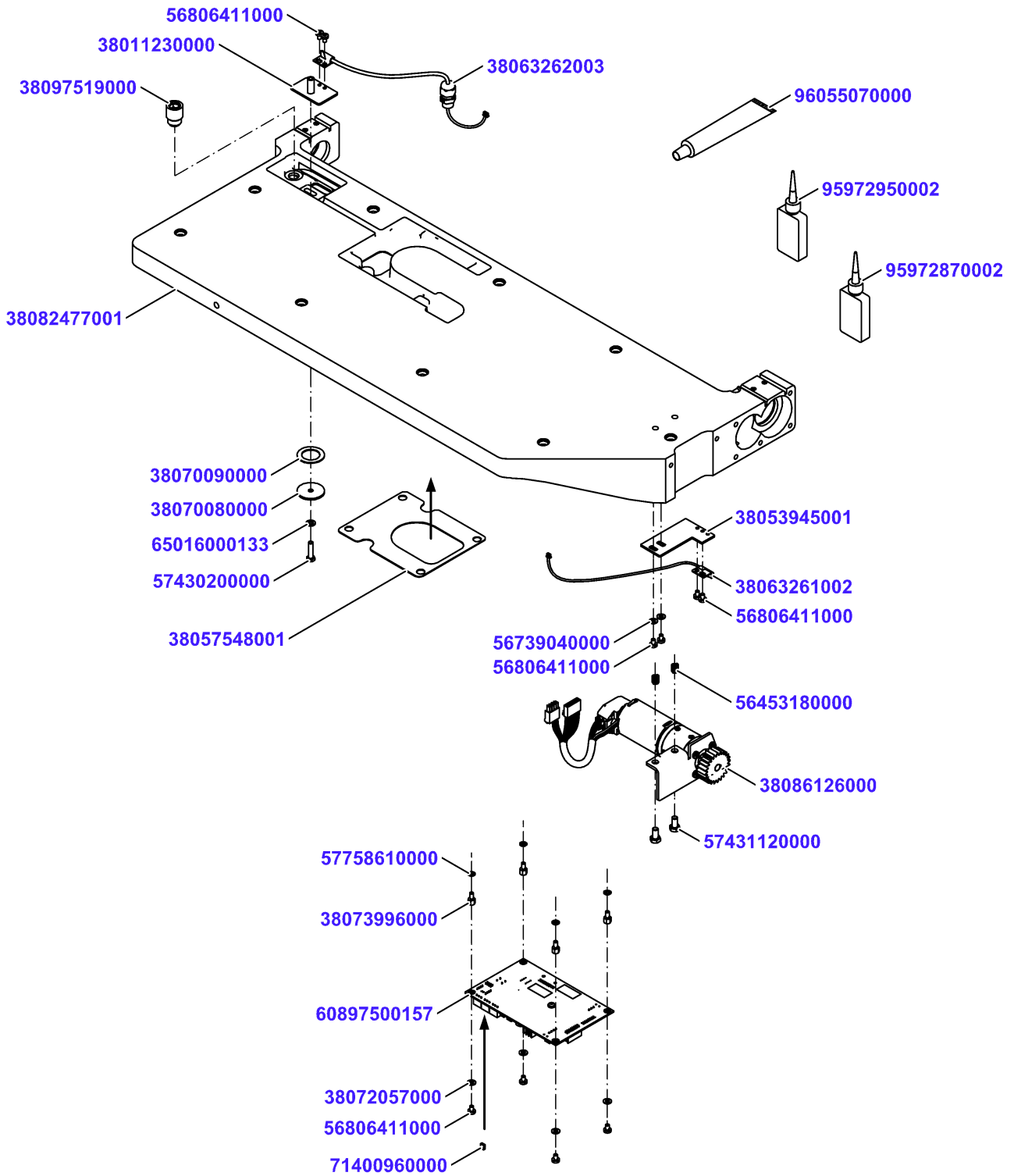
Carriage 600 cpl.



Carriage 600 cpl.

Material No.	Qty	Material description	available for order	Wear part	Recomm. sp. part	Metr. relevance
38082477001	1	Carriage 600 cast machined	✓			
56453130000	9	Thread insert M5x7,5-A2	✓			
56366420002	1	Self-Aligning Ball Bearing 2202	✓			
57778700000	1	Retaining ring DIN472-35x1,5	✓			
50003410000	1	Wiper ring 30x20x7	✓			
38104587001	1	Feedspindle 721xTR20X12 ass.	✓			
50003410000	1	Wiper ring 30x20x7	✓			
56368320002	1	Angular bearing double-row 15x35x15,9	✓			
57778700000	1	Retaining ring DIN472-35x1,5	✓			
38074013000	1	Shim ring DIN988-25x35x0,1	✓			
38103484000	1	Gear Wheel	✓			
96055070000	0,001	Grease PARALIQ GA 343	✓			
38105347000	1	Parallel key DIN6885-A 5x3x14	✓			
60540260801	1	Washer	✓			
57630530000	1	Countersunk screw DIN963 M5x12-A2-70	✓			
95972950002	0,001	Loctite 243 50 ml	✓			
60540261000	1	bolt	✓			
38078241000	1	Gear Wheel	✓			
56360600000	2	Grooved ball bearing DIN625 10x26x8	✓			
57773750000	1	Retaining ring DIN471-10x1	✓			
38057735002	1	Guide Rail 600er	✓			
57630420000	4	Countersunk screw DIN963 M4x8-A2-70	✓			
71004520000	1	Flat Cabel Holder 3484-1000	✓			
38053948002	1	Flange	✓			
38060163002	1	Sealing	✓		✓	
57629520000	5	Countersunk screw DIN963 M5x10-A2-70	✓			
38061585002	1	sealing	✓		✓	
60540268301	1	guide shaft	✓			
38139814000	1	Screw DIN963 M6x12-A2 - Precote 80-8	✓		✓	
38100136001	1	Flat Seal Carriage Plate 600	✓		✓	
38057723003	1	Cover 378x119,1x2	✓			
38057740001	1	Seal long	✓		✓	
56972480000	11	Mushroom head screw M4x8-A2-70 Tuflok	✓			

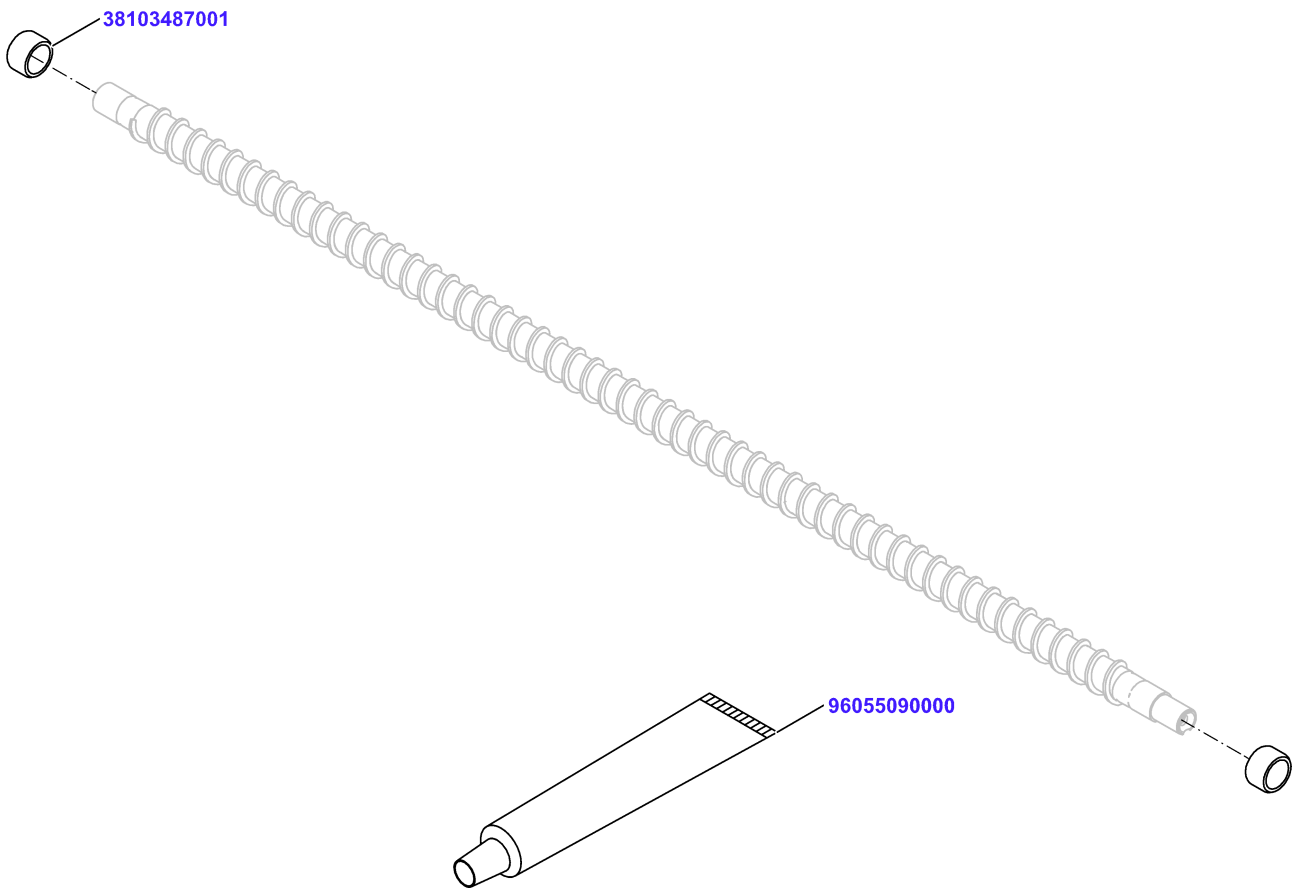
Carriage 600 cpl.



Carriage 600 cpl.

Material No.	Qty	Material description	available for order	Wear part	Recomm. sp. part	Metr. relevance
38082477001	1	Carriage 600 cast machined	✓			
56453180000	2	Threaded insert M6x9	✓			
96055070000	0,001	Grease PARALIQ GA 343	✓			
95972950002	0,001	Loctite 243 50 ml	✓			
38053945001	1	Board	✓			
38063261002	1	Sensor product feeding 1 VSI	✓			
56806411000	4	Oval-head screw ISO14583 M4x6-A2-70-T20	✓			
56739040000	2	Washer DIN125-A 4.3-A2-70	✓			
38011230000	1	Board cpl	✓			
38063262003	1	Sensor product feeding 2 VSI	✓			
56806411000	2	Oval-head screw ISO14583 M4x6-A2-70-T20	✓			
38070080000	1	Washer	✓			
38070090000	1	Sealing	✓		✓	
57430200000	1	Hexagon screw DIN933 M5x20 A2-70	✓			
65016000133	1	Washer 5-PA	✓			
38097519000	1	Sleeve 18 x 10 x 24.25	✓			
95972870002	0,001	Loctite 638	✓			
38086126000	1	Motor Product Feeding BG42x15 cpl	✓			
57431120000	2	Hexagon screw DIN933 M6x12 A2-70	✓			
60897500157	1	PCBAP MC 3ph 2ch lv bus	✓			
71400960000	1	Short Circuit Bracket 3131 731000406	✓		✓	
57758610000	4	Toothed washer DIN6797-A 4,3-Fst	✓			
38073996000	4	Distance bolt SW7x6 M4-M4 In-Out	✓			
56806411000	4	Oval-head screw ISO14583 M4x6-A2-70-T20	✓			
38072057000	4	Washer DIN125-A-4-PA6	✓			
38057548001	1	Seal	✓		✓	

Feedspindle 721xTR20X12 ass.

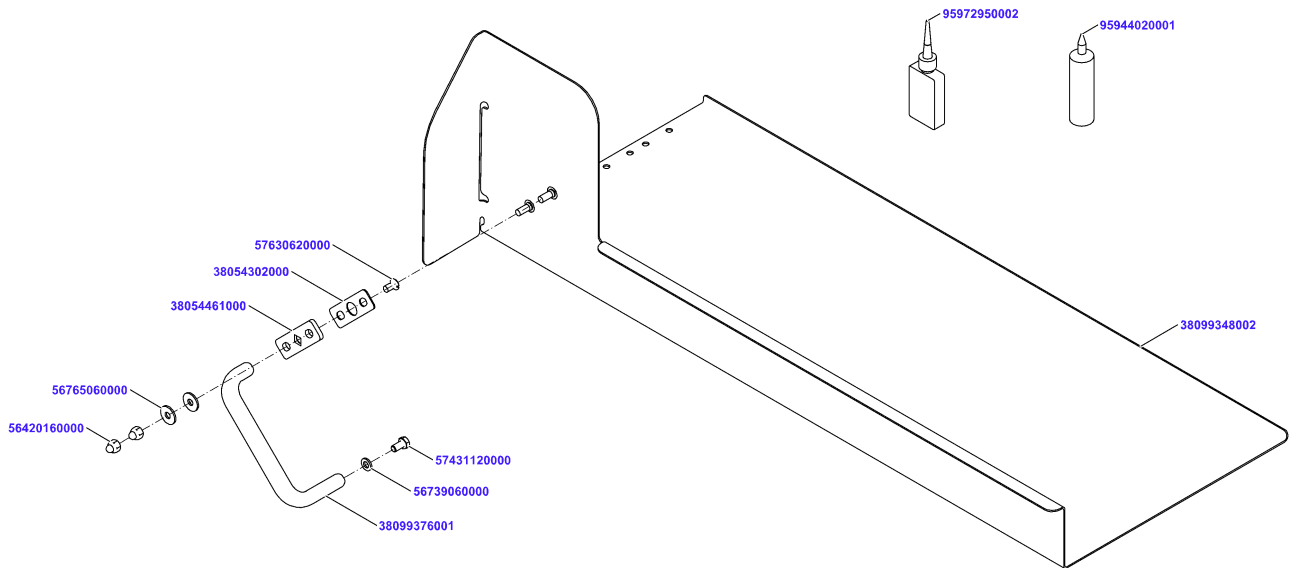


Feedspindle 721xTR20X12 ass.

Material No.	Qty	Material description
38103487001	2	Ring 12x20x15H7
96055090000	0,002	Assembly-paste Rivolta F.L.A. 100 ml

available for order
Wear part
Recomm. sp. part
Metr. relevance

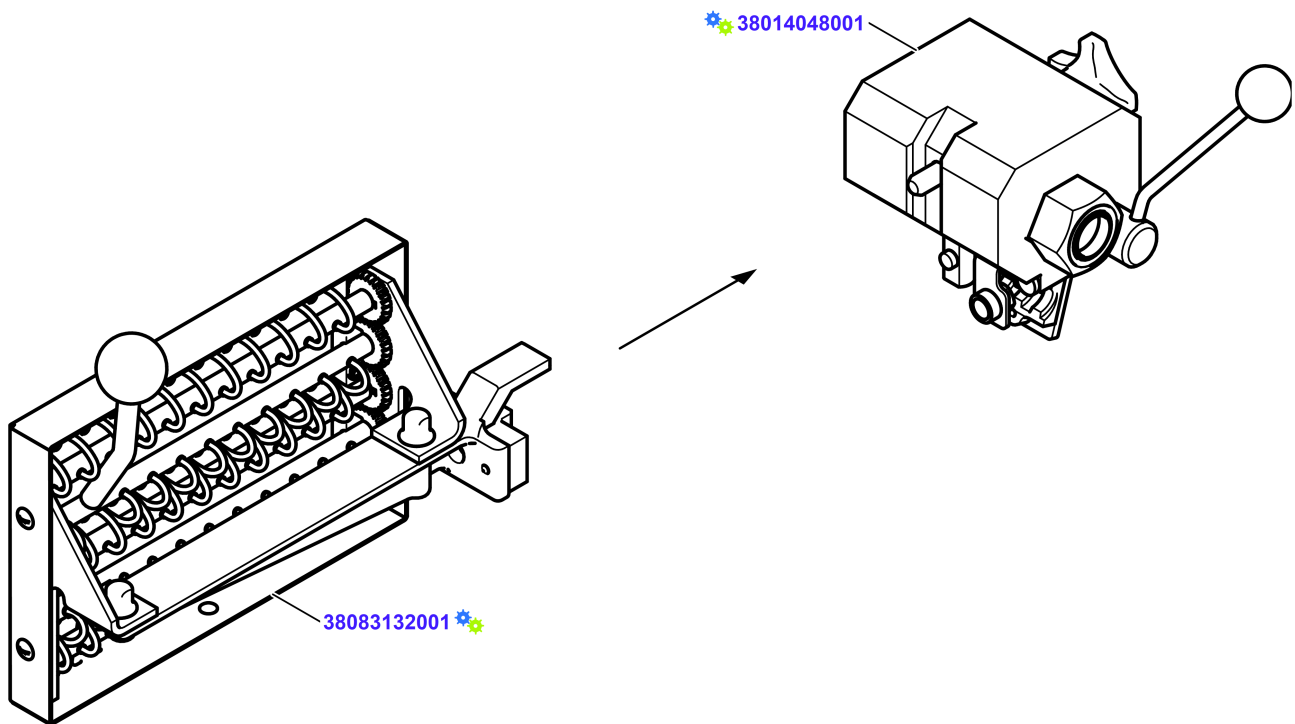
Carriage Plate Template preass




Carriage Plate Template preass

Material No.	Qty	Material description	available for order	Wear part	Recomm. sp. part	Metr. relevance
38099348002	1	Carriage Plate welded	✓			
38099376001	1	Handle	✓			
38054461000	1	Plate	✓			
38054302000	1	Gasket	✓		✓	
95944020001	10	Silicone Rubber Elastosil E41 90ml	✓			
57630620000	1	Countersunk screw DIN963 M6x12-A2-70	✓			
95972950002	0,001	Loctite 243 50 ml	✓			
56420160000	2	Cap nut DIN986-M6-A2	✓			
56765060000	2	Washer DIN9021-6-A2	✓			
57431120000	1	Hexagon screw DIN933 M6x12 A2-70	✓			
56739060000	1	Washer DIN125-A-6-A2	✓			

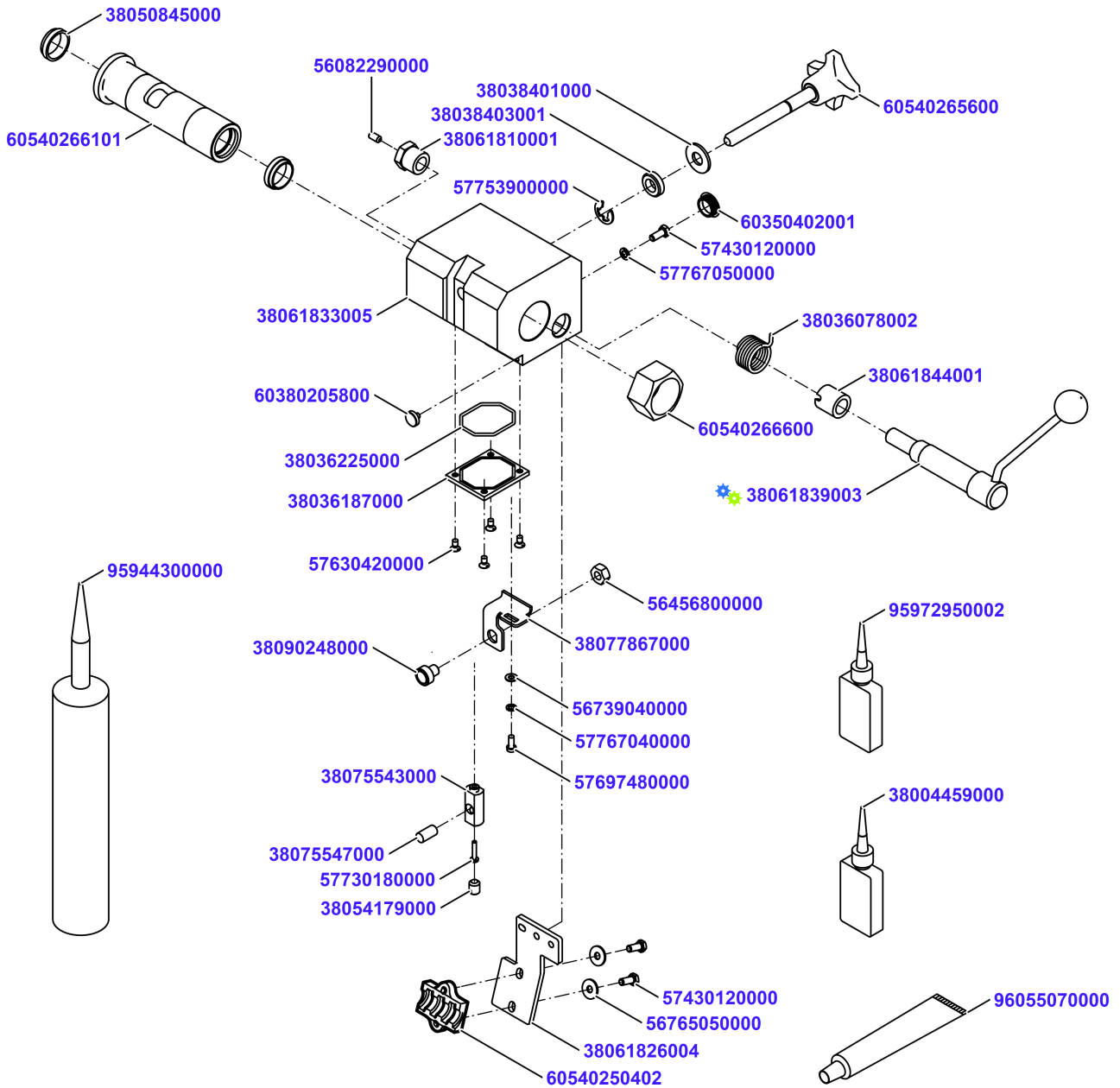
Product Holder non folding NSF cpl



Product Holder non folding NSF cpl

Material No.	Qty	Material description	available for order	Wear part	Recomm. sp. part	Metr. relevance
38014048001	1	Product Holder Guide NSF cpl				
38083132001	1	Product Holder cpl. VSI				

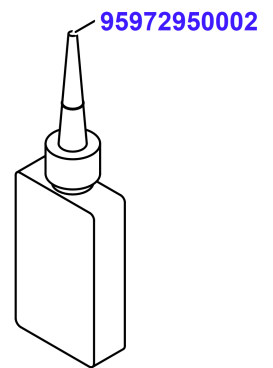
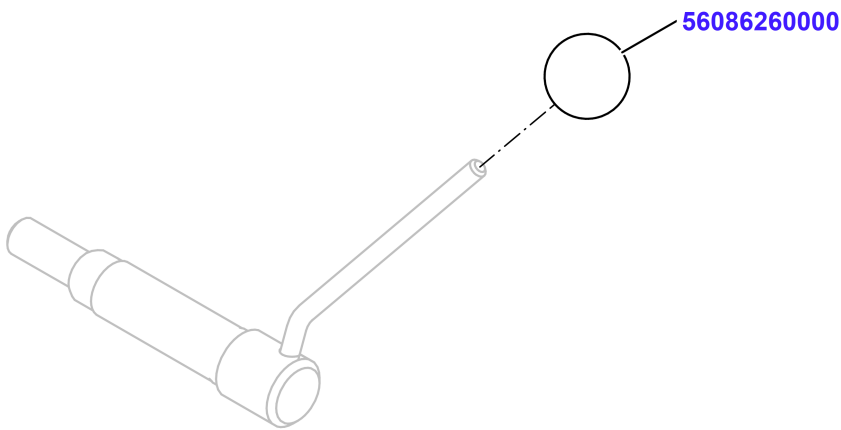
Product Holder Guide NSF cpl



Product Holder Guide NSF cpl

Material No.	Qty	Material description	available for order	Wear part	Recomm. sp. part	Metr. relevance
38061833005	1	Product Holder Guide	✓			
60540265600	1	locking lever mount.	✓			
38038401000	1	washer	✓			
38038403001	1	Bushing 19,1x10,7x5	✓			
57753900000	1	Retaining washer DIN6799-9	✓			
60540266101	1	Bushing complete	✓	✓	✓	
38050845000	2	Deflector Ring	✓			
60540266600	1	hex nut	✓			
38061839003	1	Bolt NSF cpl	✓			
38061844001	1	Sleeve	✓			
38036078002	1	torsion spring left	✓			
96055070000	0,005	Grease PARALIQ GA 343	✓			
38061810001	1	Screw Nut	✓			
38004459000	0,001	Loctite 648	✓			
56082290000	1	Set screw DIN438 M5x10-A2-70	✓			
95972950002	0,001	Loctite 243 50 ml	✓			
38061826004	1	Holder	✓			
60540250402	1	Nut Plate	✓	✓	✓	
56765050000	2	Washer DIN9021-5-A2	✓			
57767050000	1	Spring lock washer DIN128-A5-FSt	✓			
57430120000	3	Hexagon screw DIN933 M5x12 A2-70	✓			
60350402001	1	Protective plug	✓			
95944300000	1	Kitchen silicone ELASTO4710	✓			
38036187000	1	cover	✓			
38036225000	1	seal	✓		✓	
57630420000	4	Countersunk screw DIN963 M4x8-A2-70	✓			
38077867000	1	Magnet Base	✓			
38090248000	1	Magnet Vacodym 370 wz round 10x4 preass	✓		✓	
56456800000	1	Hexagon nut DIN934-M8-A2	✓			
57697480000	1	Cylinder screw DIN84 M4x10-A2-70	✓			
56739040000	1	Washer DIN125-A 4.3-A2-70	✓			
57767040000	1	Spring lock washer DIN128-A4-FSt	✓			
38075543000	1	Mounting Pin	✓			
57730180000	1	Oval-head screw ISO14583 M3x16-A2-70-T10	✓			
38075547000	1	Parallel Pin 8x15	✓			
38054179000	1	Set screw DIN438 M8x10-A2-70	✓			
60380205800	1	SLIDE PIN	✓			

Bolt NSF cpl

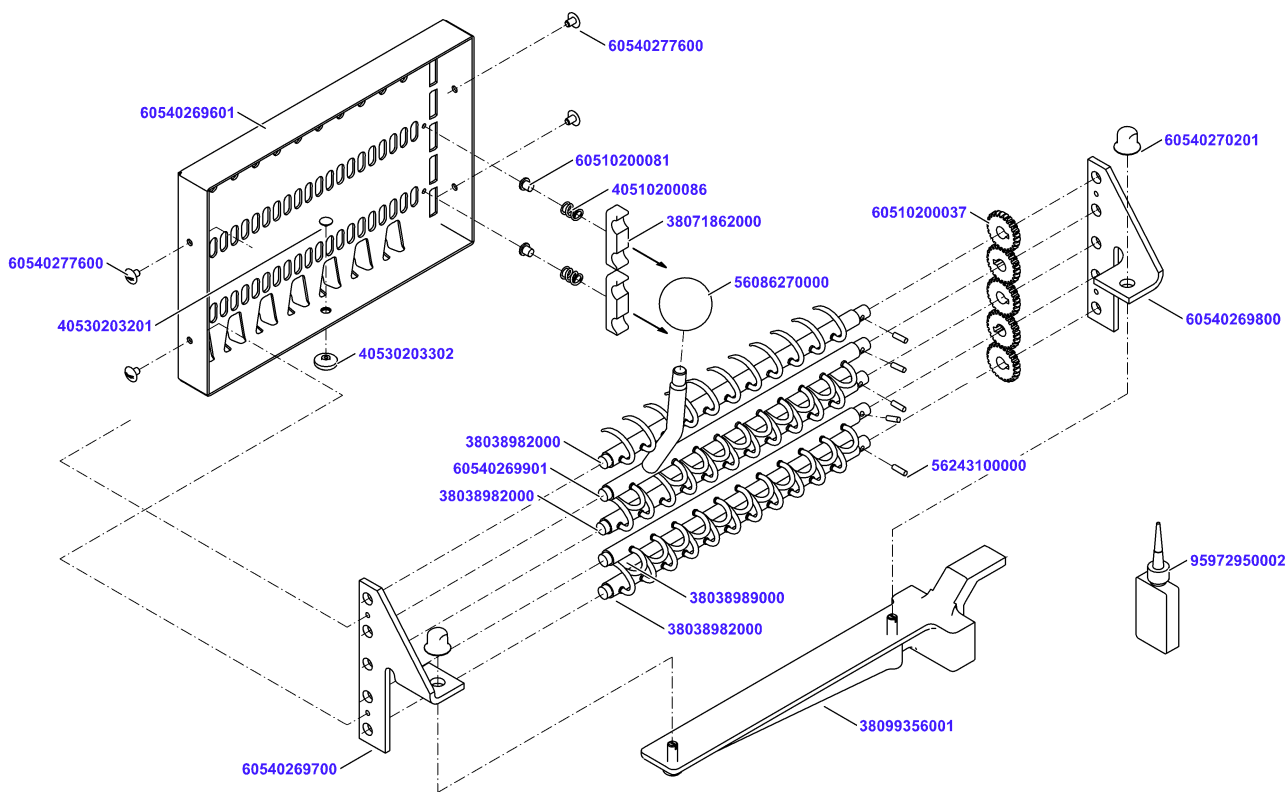


Bolt NSF cpl

Material No.	Qty	Material description
56086260000	1	Ball knob DIN319 M6x25 I
95972950002	0,001	Loctite 243 50 ml

available for order
Wear part
Recomm. sp. part
Metr. relevance

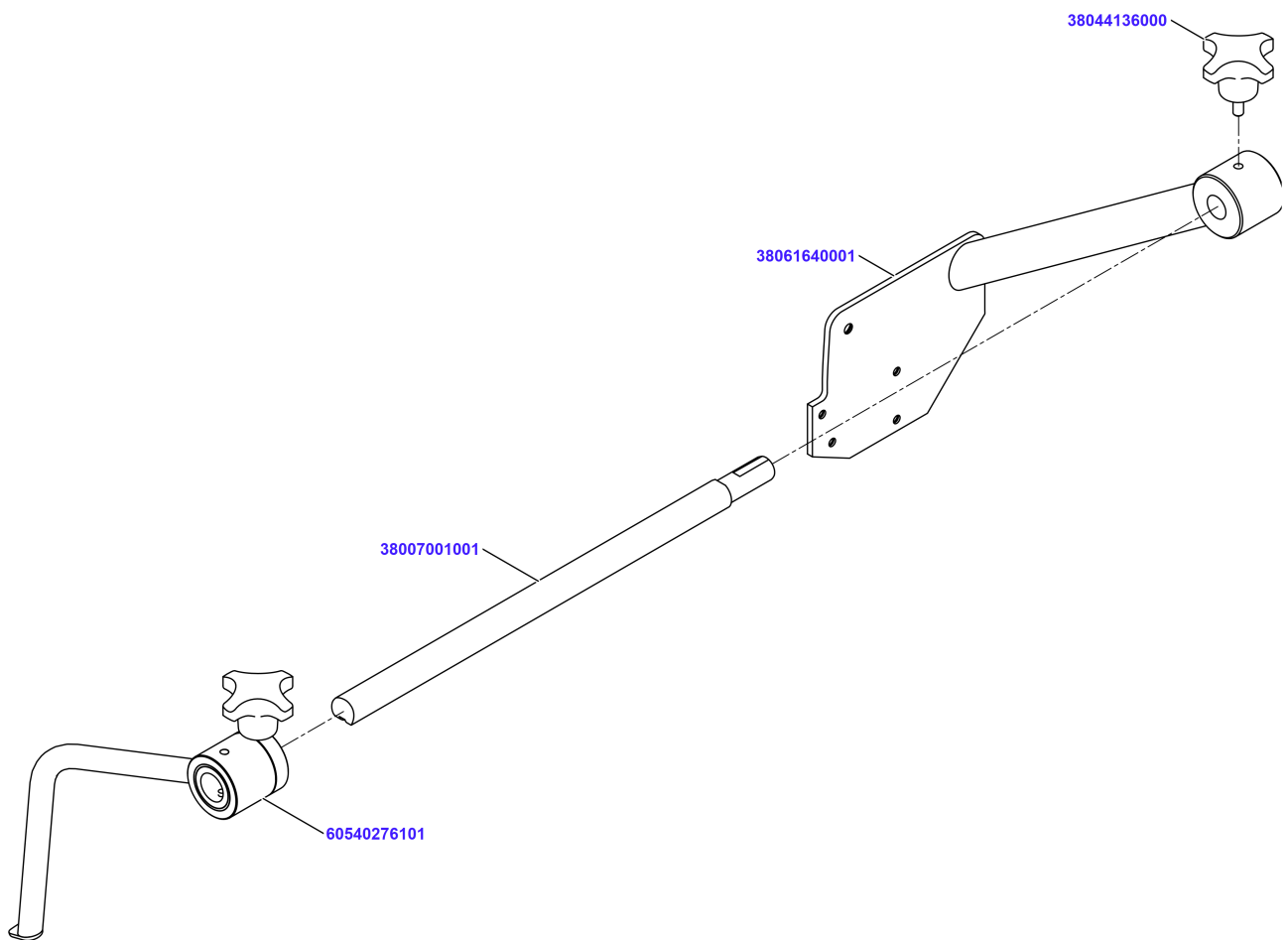
Product Holder cpl. VSI







Product Holder cpl. VSI

Material No.	Qty	Material description	available for order	Wear part	Recomm. sp. part	Metr. relevance
60540269601	1	product holder	✓			
60510200081	2	collar stud	✓			
60540269700	1	Side frame left	✓			
60540269800	1	Side frame right	✓			
38038982000	3	Gripper Shaft cpl.	✓			
38038989000	1	Gripper Shaft cpl.	✓			
60540269901	1	Gripper Shaft cpl	✓			
56086270000	1	Ball knob DIN319 M8x32 I	✓			
56243100000	5	Cylindrical pin EN 22338-3h11x10-A2	✓			
60510200037	5	Pinion	✓			
40510200086	2	Pressure spring	✓			
38071862000	2	brake pad	✓			
60540277600	4	self-tapping screw	✓			
38099356001	1	Holder preass.	✓			
60540270201	2	Cap nut M6	✓		✓	
95972950002	0,001	Loctite 243 50 ml	✓			
40530203201	1	push button	✓			
40530203302	1	sliding piece	✓	✓	✓	

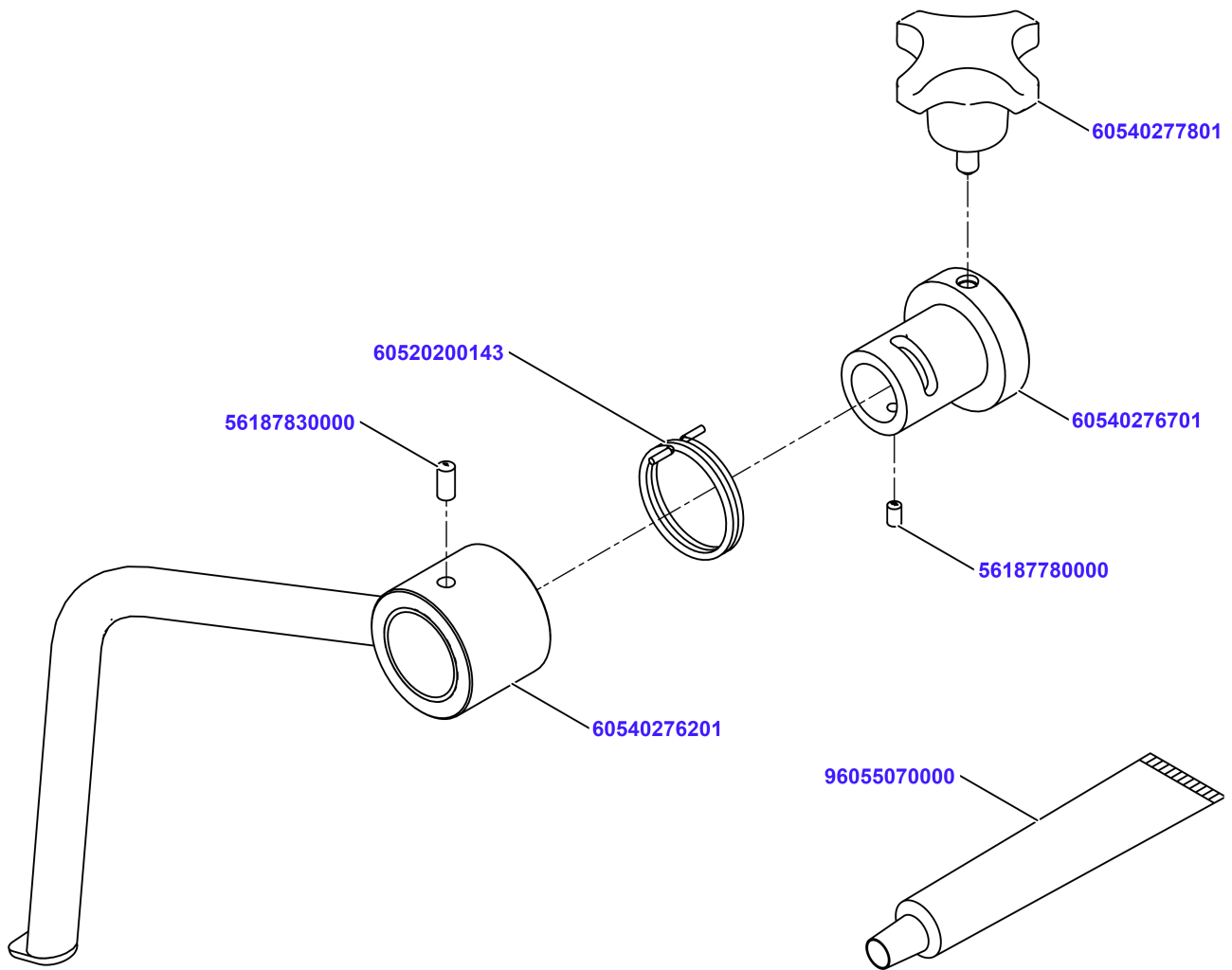
Product Supporter top NSF cpl



Product Supporter top NSF cpl

Material No.	Qty	Material description	available for order	Wear part	Recomm. sp. part	Metr. relevance
38061640001	1	Mounting welded				
38007001001	1	Axis 18x342				
60540276101	1	HOULDING DOWN DEVICE ASS.				
38044136000	1	LOCKING SCREW				

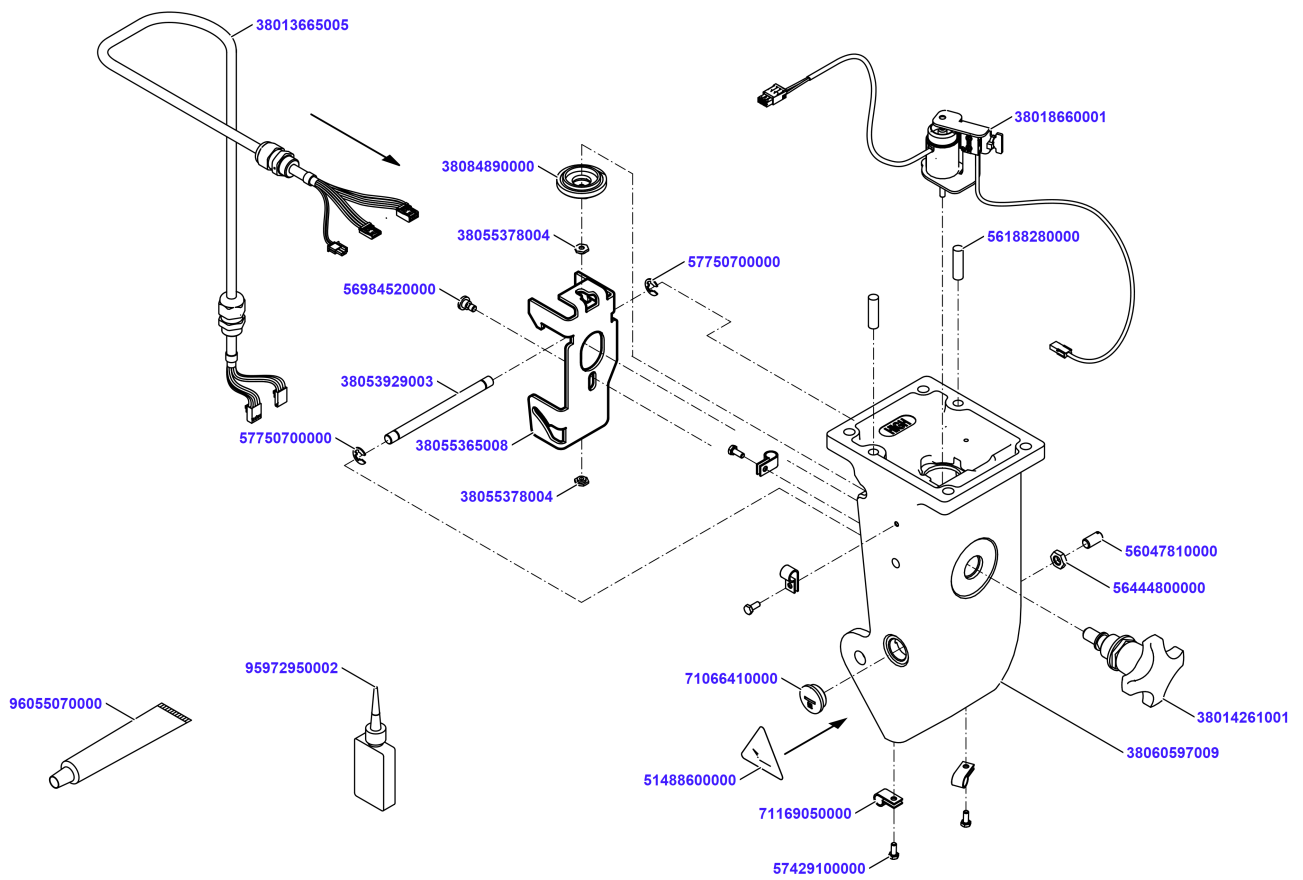
HOULDING DOWN DEVICE ASS.



HOULDING DOWN DEVICE ASS.

Material No.	Qty	Material description	available for order	Wear part	Recomm. sp. part	Metr. relevance
60540276201	1	Holding Down Device preass.				
60540276701	1	hub				
60540277801	1	LOCKING SCREW				
60520200143	1	torsion spring				
56187830000	1	Cylindrical pin EN 22338-5m6x10-A2				
96055070000	0,005	Grease PARALIQ GA 343				
56187780000	1	Cylindrical pin EN 22338-4m6x6-A2				

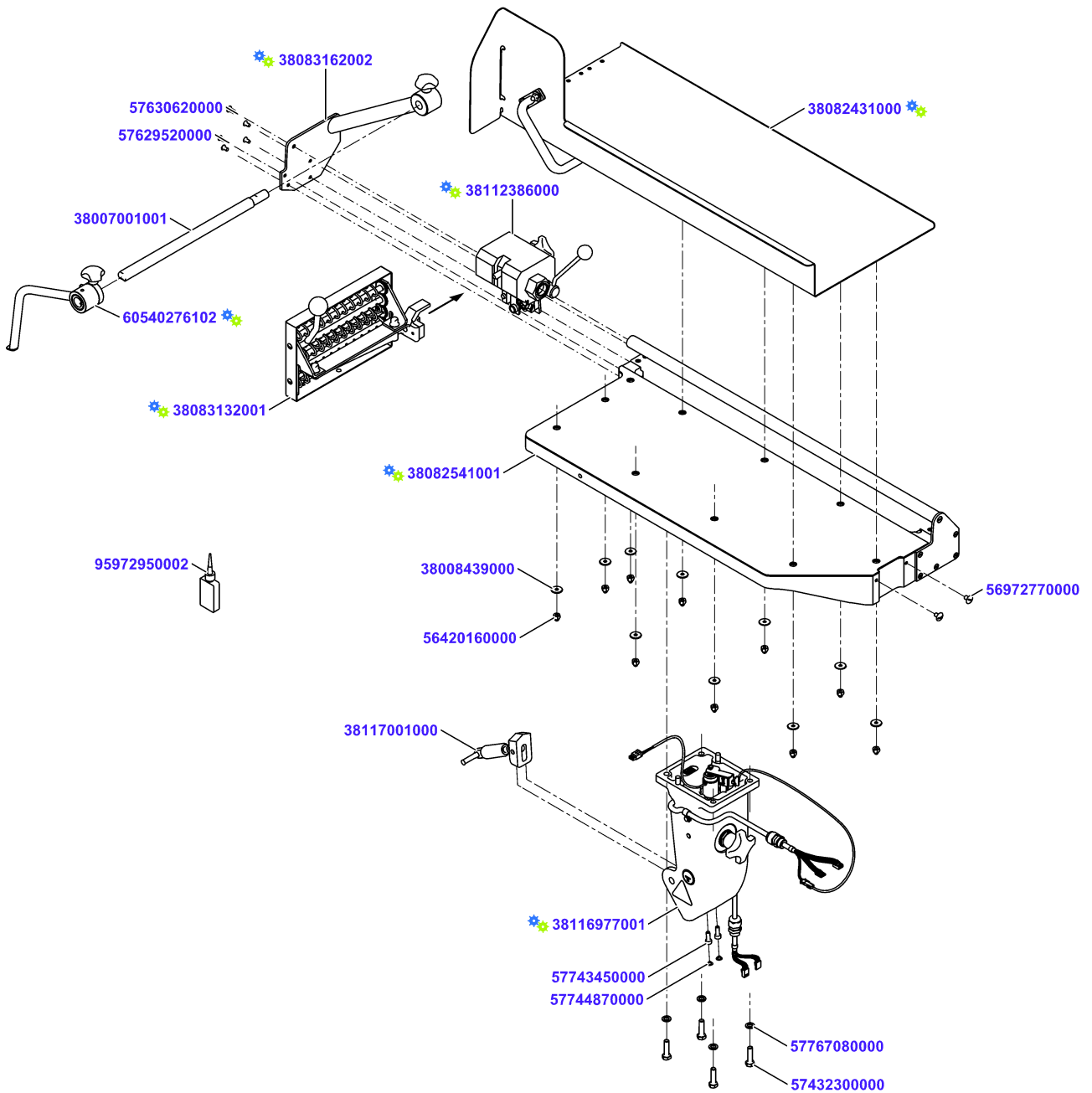
Carriage Foot high cpl



Carriage Foot high cpl

Material No.	Qty	Material description	available for order	Wear part	Recomm. sp. part	Metr. relevance
38060597009	1	Carriage Foot high mach	✓			
56188280000	2	Cylindrical pin EN 22338-8m6x28-A2	✓			
56047810000	1	Set screw DIN551 M8x16-PA 66	✓			
56444800000	1	Hexagon nut DIN439-M8-A2	✓			
38018660001	1	Magnet preass	✓	✓		
38084890000	1	Cap preass	✓			
38055378004	2	Hexagon nut	✓			
95972950002	0,001	Loctite 243 50 ml	✓			
38055365008	1	Interlock	✓			
96055070000	0,001	Grease PARALIQ GA 343	✓			
56984520000	1	Pan head screw DIN923 M5x4A2-70	✓			
71066410000	1	Plug Round M20x1.5	✓			
38014261001	1	Handle preass	✓			
38053929003	1	Stop Bolt	✓			
57750700000	2	Retaining washer DIN6799-7	✓			
71169050000	4	Cable Clamp nylon 7,4mm NK-5N	✓			
38013665005	1	Ka Rd 12x24AWG 0,87m	✓			
57429100000	4	Hexagon screw DIN933 M4x10 A2-70	✓			
51488600000	1	Warning Plate Hand Injury 7.29K	✓			

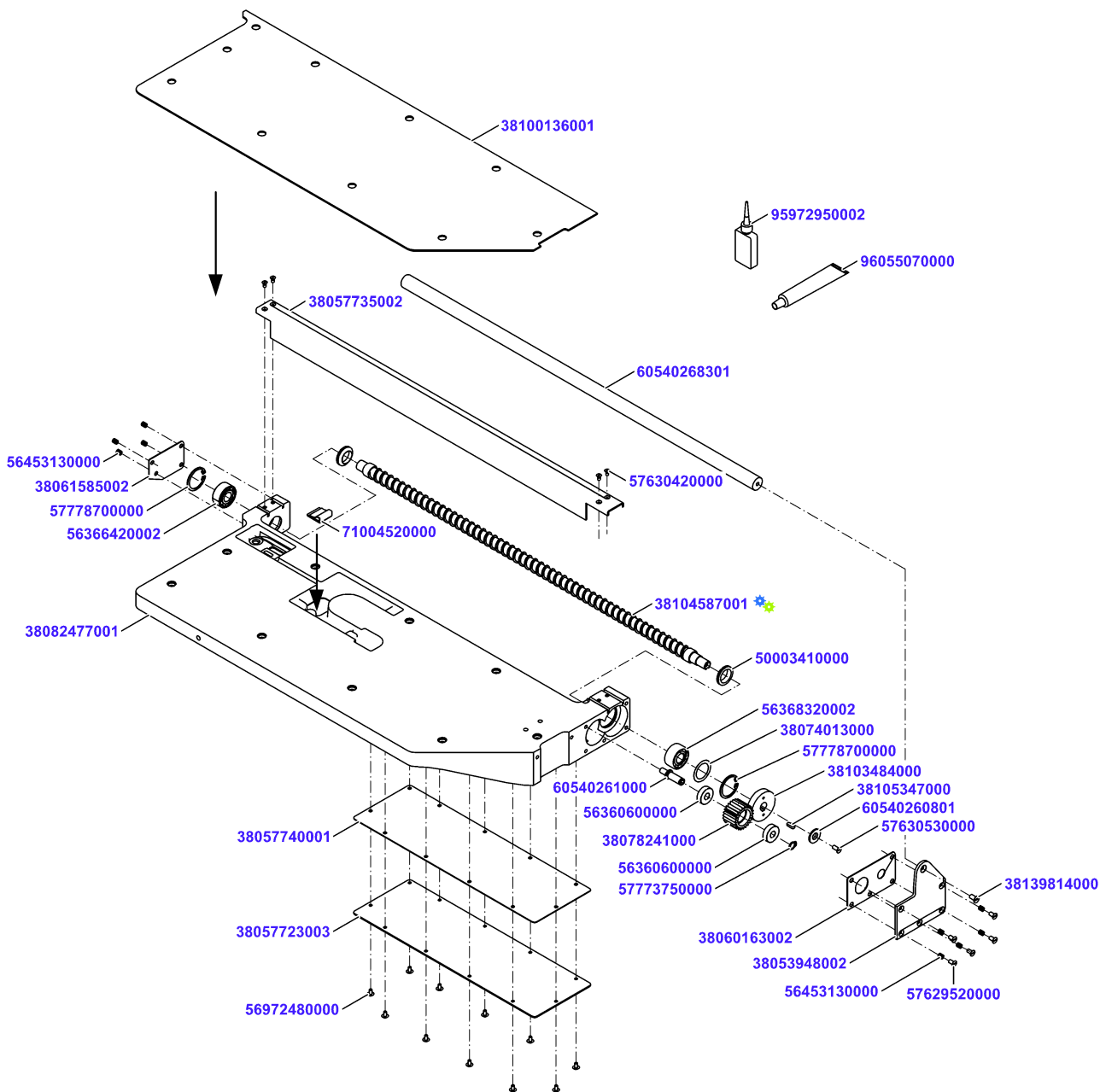
Carriage 600 NSF



Carriage 600 NSF

Material No.	Qty	Material description	available for order	Wear part	Recomm. sp. part	Metr. relevance
38082541001	1	Carriage 600 cpl.				
38082431000	1	Carriage Plate Template preass	✓			
56420160000	10	Cap nut DIN986-M6-A2	✓			
38008439000	10	Sealing washer M6	✓		✓	
56972770000	2	Mushroom head screw M6x10-A2-70	✓			
38083162002	1	Product Supporter top NSF cpl				
57629520000	4	Countersunk screw DIN963 M5x10-A2-70	✓			
95972950002	0,001	Loctite 243 50 ml	✓			
57630620000	1	Countersunk screw DIN963 M6x12-A2-70	✓			
38116977001	1	Carriage Foot high cpl.				
57432300000	4	Hexagon screw DIN933 M8x30 A2-70	✓			
57767080000	4	Spring lock washer DIN128-A8-A2	✓			
38117001000	1	Gas pressure spring carriage 600 cpl	✓		✓	
57743450000	2	Cylinder screw DIN912 M6x16-A2-70	✓			
57744870000	2	Protective plug 10x5,2x3,1-PE	✓		✓	
38083132001	1	Product Holder cpl. VSI				
38112386000	1	Product Holder Guide NSF cpl	✓			
38007001001	1	Axis 18x342	✓			
60540276102	1	Holding Down Device ass.	✓			

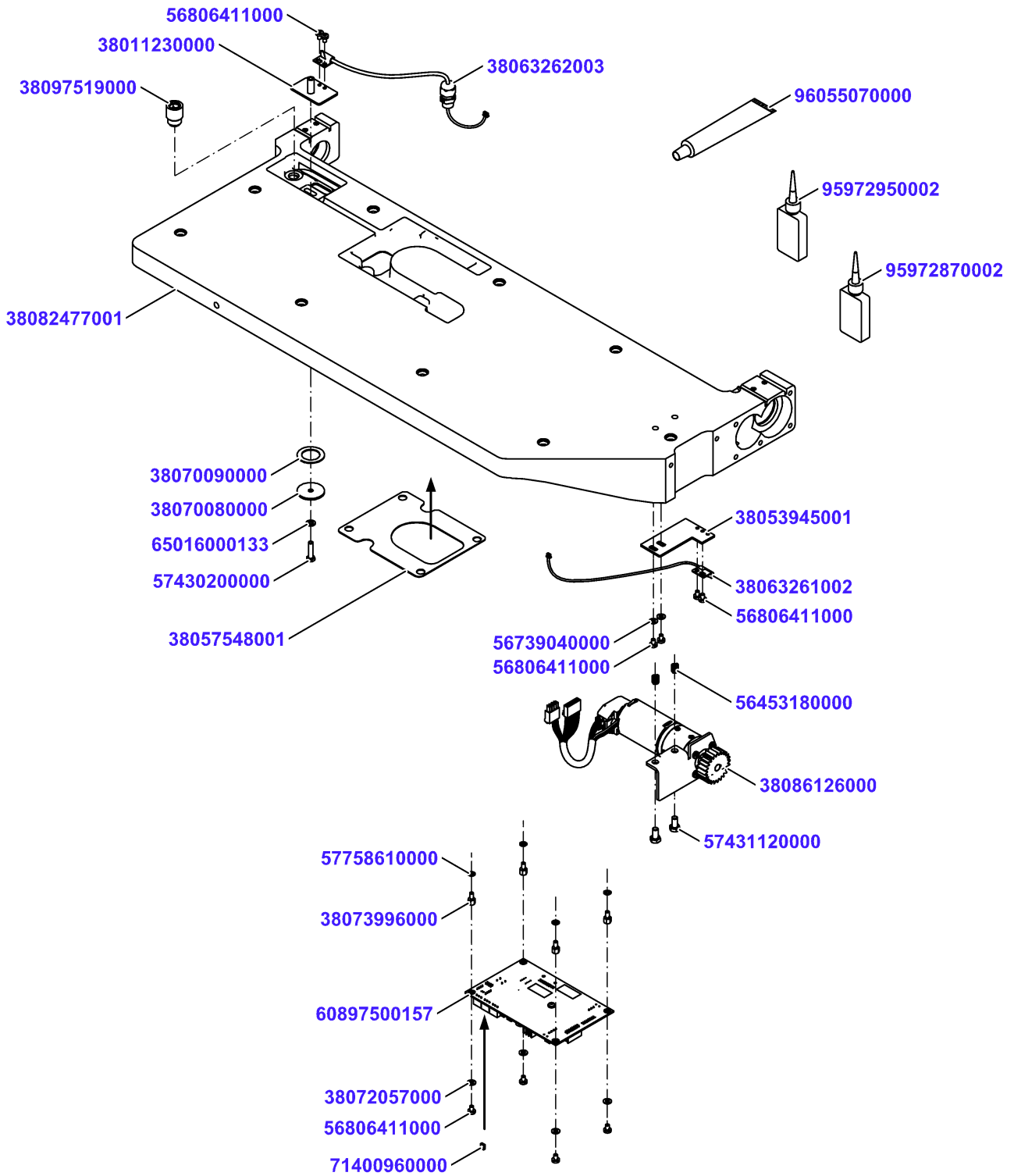
Carriage 600 cpl.



Carriage 600 cpl.

Material No.	Qty	Material description	available for order	Wear part	Recomm. sp. part	Metr. relevance
38082477001	1	Carriage 600 cast machined	✓			
56453130000	9	Thread insert M5x7,5-A2	✓			
56366420002	1	Self-Aligning Ball Bearing 2202	✓			
57778700000	1	Retaining ring DIN472-35x1,5	✓			
50003410000	1	Wiper ring 30x20x7	✓			
38104587001	1	Feedspindle 721xTR20X12 ass.	✓			
50003410000	1	Wiper ring 30x20x7	✓			
56368320002	1	Angular bearing double-row 15x35x15,9	✓			
57778700000	1	Retaining ring DIN472-35x1,5	✓			
38074013000	1	Shim ring DIN988-25x35x0,1	✓			
38103484000	1	Gear Wheel	✓			
96055070000	0,001	Grease PARALIQ GA 343	✓			
38105347000	1	Parallel key DIN6885-A 5x3x14	✓			
60540260801	1	Washer	✓			
57630530000	1	Countersunk screw DIN963 M5x12-A2-70	✓			
95972950002	0,001	Loctite 243 50 ml	✓			
60540261000	1	bolt	✓			
38078241000	1	Gear Wheel	✓			
56360600000	2	Grooved ball bearing DIN625 10x26x8	✓			
57773750000	1	Retaining ring DIN471-10x1	✓			
38057735002	1	Guide Rail 600er	✓			
57630420000	4	Countersunk screw DIN963 M4x8-A2-70	✓			
71004520000	1	Flat Cabel Holder 3484-1000	✓			
38053948002	1	Flange	✓			
38060163002	1	Sealing	✓		✓	
57629520000	5	Countersunk screw DIN963 M5x10-A2-70	✓			
38061585002	1	sealing	✓		✓	
60540268301	1	guide shaft	✓			
38139814000	1	Screw DIN963 M6x12-A2 - Precote 80-8	✓		✓	
38100136001	1	Flat Seal Carriage Plate 600	✓		✓	
38057723003	1	Cover 378x119,1x2	✓			
38057740001	1	Seal long	✓		✓	
56972480000	11	Mushroom head screw M4x8-A2-70 Tuflok	✓			

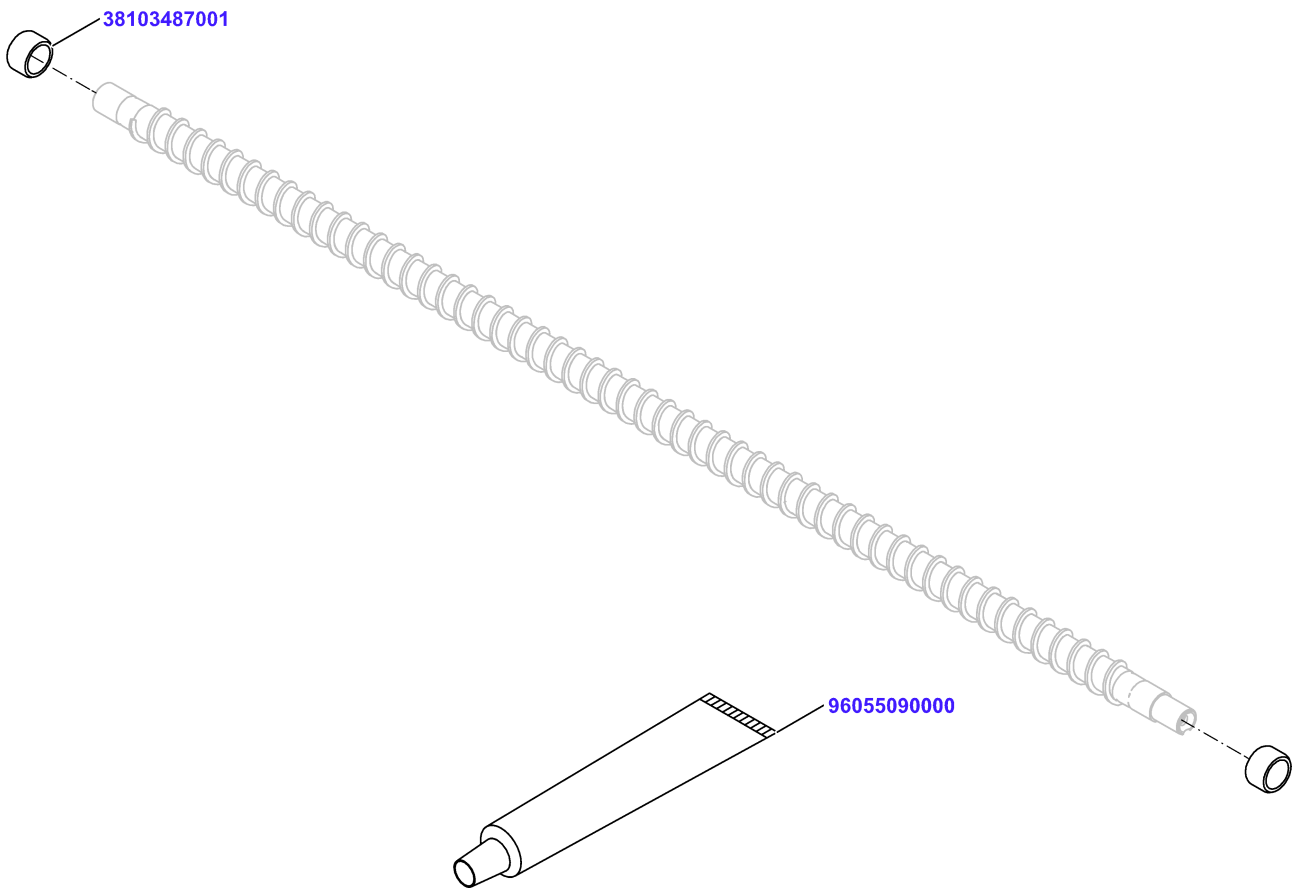
Carriage 600 cpl.



Carriage 600 cpl.

Material No.	Qty	Material description	available for order	Wear part	Recomm. sp. part	Metr. relevance
38082477001	1	Carriage 600 cast machined	✓			
56453180000	2	Threaded insert M6x9	✓			
96055070000	0,001	Grease PARALIQ GA 343	✓			
95972950002	0,001	Loctite 243 50 ml	✓			
38053945001	1	Board	✓			
38063261002	1	Sensor product feeding 1 VSI	✓			
56806411000	4	Oval-head screw ISO14583 M4x6-A2-70-T20	✓			
56739040000	2	Washer DIN125-A 4.3-A2-70	✓			
38011230000	1	Board cpl	✓			
38063262003	1	Sensor product feeding 2 VSI	✓			
56806411000	2	Oval-head screw ISO14583 M4x6-A2-70-T20	✓			
38070080000	1	Washer	✓			
38070090000	1	Sealing	✓		✓	
57430200000	1	Hexagon screw DIN933 M5x20 A2-70	✓			
65016000133	1	Washer 5-PA	✓			
38097519000	1	Sleeve 18 x 10 x 24.25	✓			
95972870002	0,001	Loctite 638	✓			
38086126000	1	Motor Product Feeding BG42x15 cpl	✓			
57431120000	2	Hexagon screw DIN933 M6x12 A2-70	✓			
60897500157	1	PCBAP MC 3ph 2ch lv bus	✓			
71400960000	1	Short Circuit Bracket 3131 731000406	✓		✓	
57758610000	4	Toothed washer DIN6797-A 4,3-Fst	✓			
38073996000	4	Distance bolt SW7x6 M4-M4 In-Out	✓			
56806411000	4	Oval-head screw ISO14583 M4x6-A2-70-T20	✓			
38072057000	4	Washer DIN125-A-4-PA6	✓			
38057548001	1	Seal	✓		✓	

Feedspindle 721xTR20X12 ass.

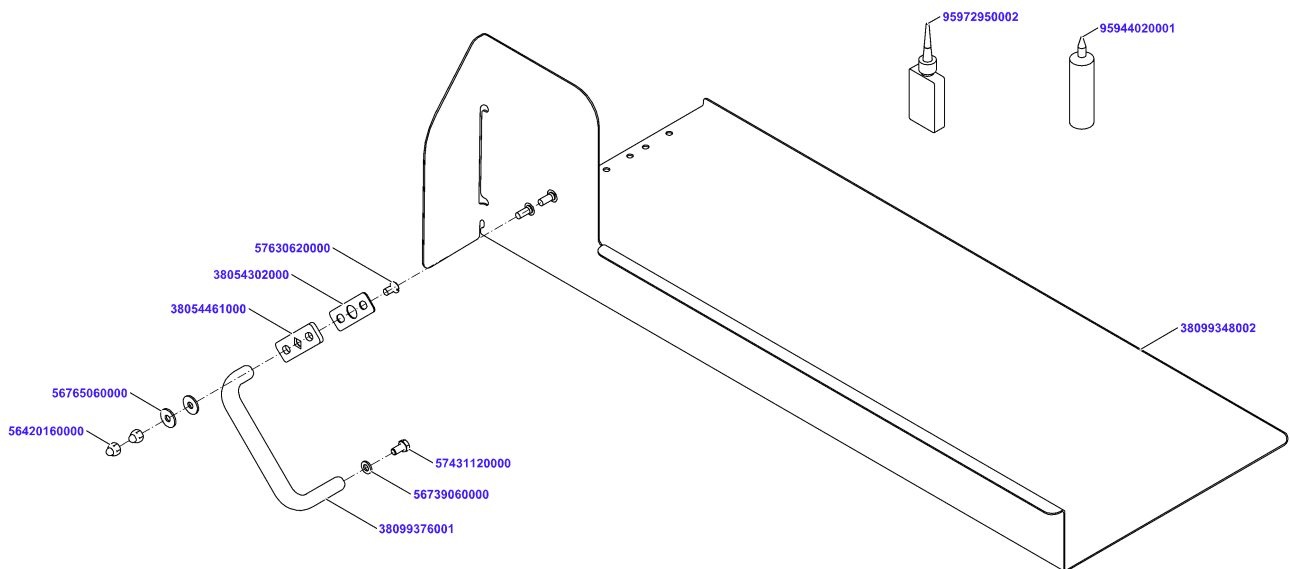


Feedspindle 721xTR20X12 ass.

Material No.	Qty	Material description
38103487001	2	Ring 12x20x15H7
96055090000	0,002	Assembly-paste Rivolta F.L.A. 100 ml

available for order
Wear part
Recomm. sp. part
Metr. relevance

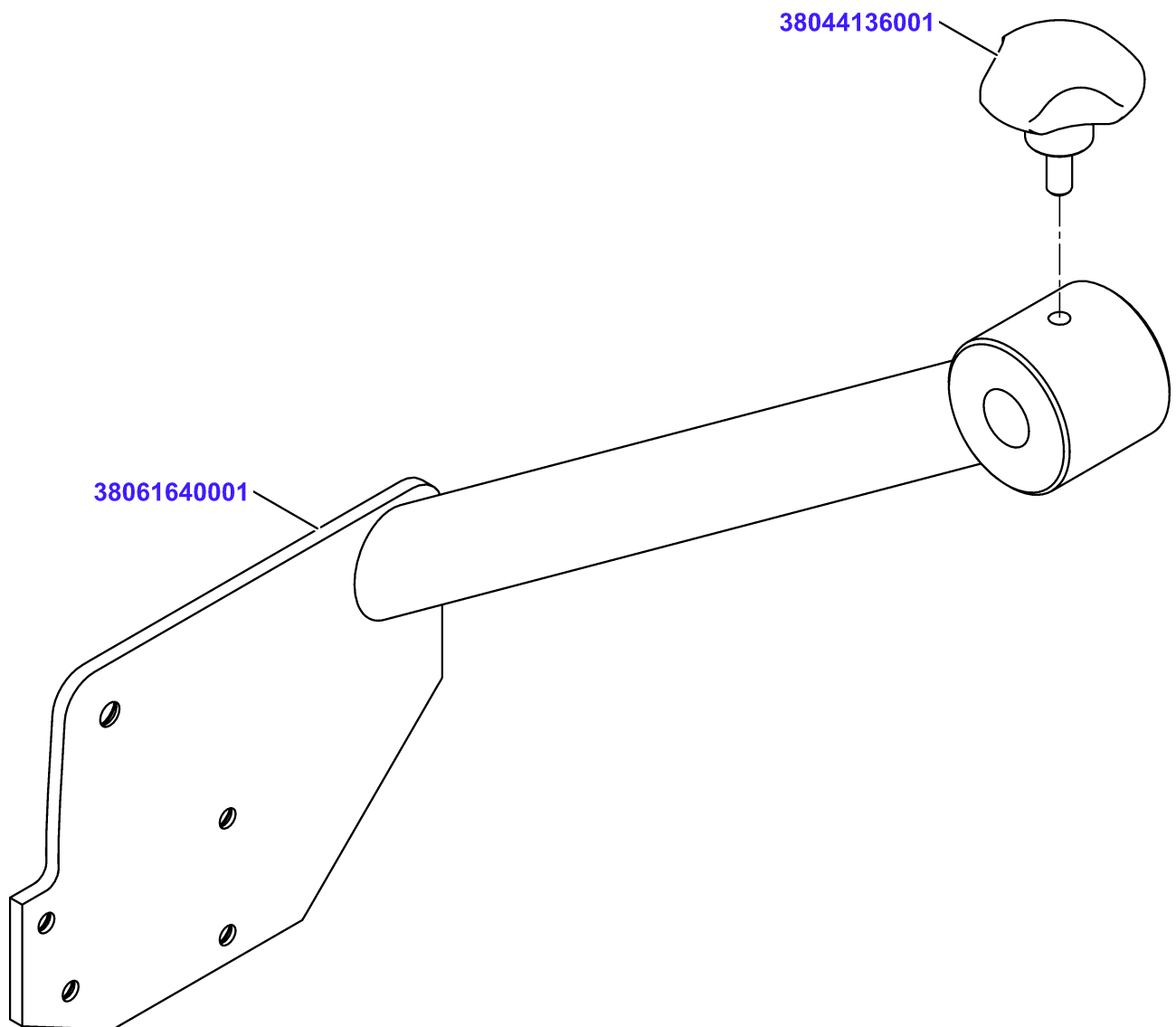
Carriage Plate Template preass



Carriage Plate Template preass

Material No.	Qty	Material description	available for order	Wear part	Recomm. sp. part	Metr. relevance
38099348002	1	Carriage Plate welded	✓			
38099376001	1	Handle	✓			
38054461000	1	Plate	✓			
38054302000	1	Gasket	✓		✓	
95944020001	10	Silicone Rubber Elastosil E41 90ml	✓			
57630620000	1	Countersunk screw DIN963 M6x12-A2-70	✓			
95972950002	0,001	Loctite 243 50 ml	✓			
56420160000	2	Cap nut DIN986-M6-A2	✓			
56765060000	2	Washer DIN9021-6-A2	✓			
57431120000	1	Hexagon screw DIN933 M6x12 A2-70	✓			
56739060000	1	Washer DIN125-A-6-A2	✓			

Product Supporter top NSF cpl

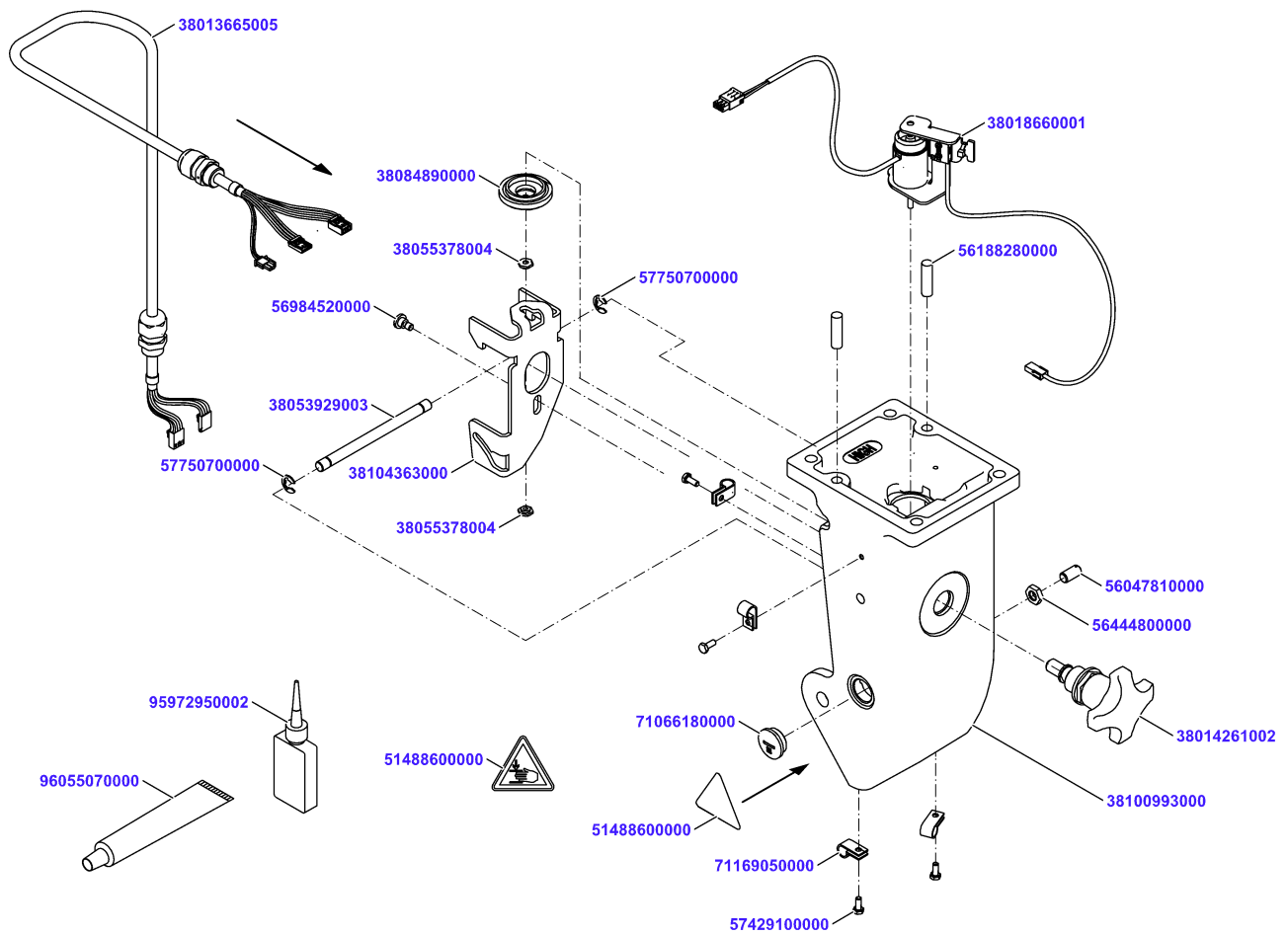


Product Supporter top NSF cpl

Material No.	Qty	Material description
38061640001	1	Mounting welded
38044136001	1	Handle with screw M6 x 14,75

available for order
Wear part
Recomm. sp. part
Metr. relevance

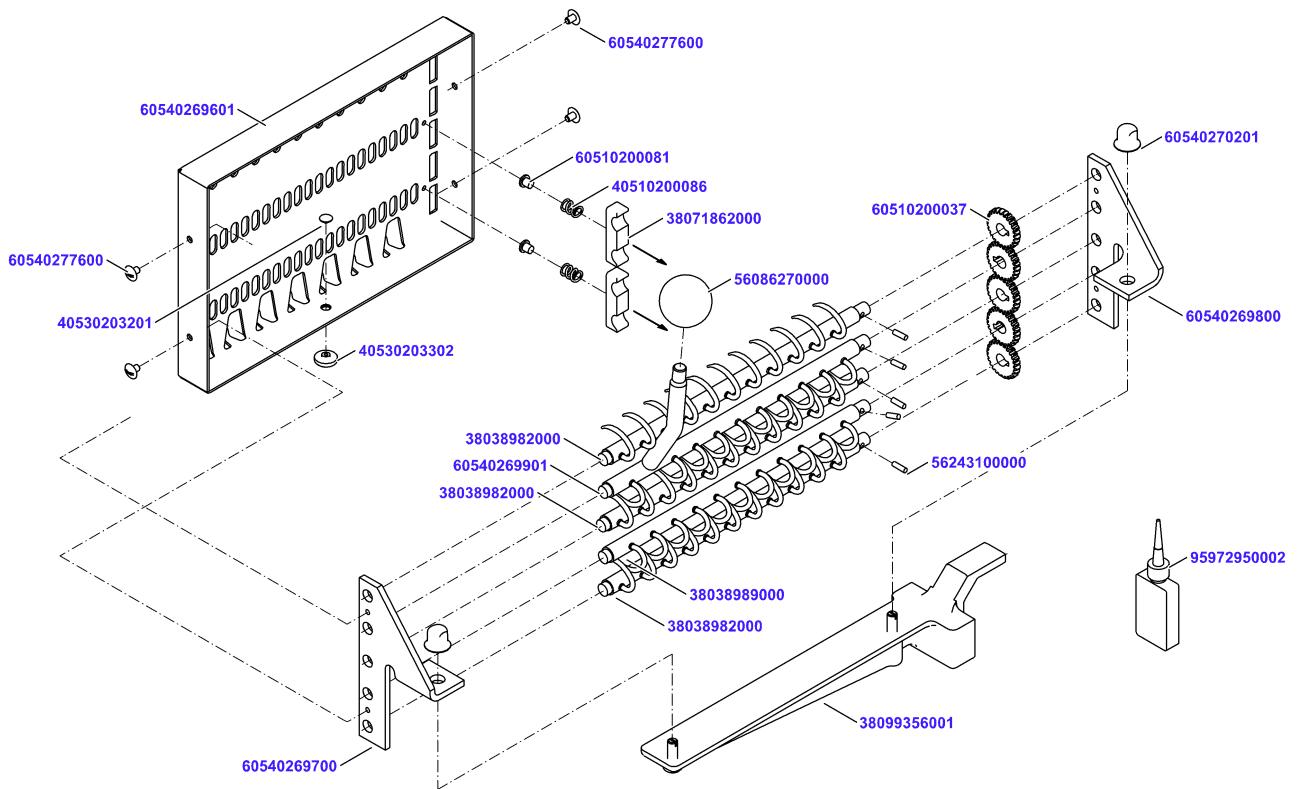
Carriage Foot high cpl.



Carriage Foot high cpl.

Material No.	Qty	Material description	available for order	Wear part	Recomm. sp. part	Metr. relevance
38100993000	1	Carriage Foot high hygienic mach	✓			
56188280000	2	Cylindrical pin EN 22338-8m6x28-A2	✓			
56047810000	1	Set screw DIN551 M8x16-PA 66	✓			
56444800000	1	Hexagon nut DIN439-M8-A2	✓			
38018660001	1	Magnet preass	✓	✓	✓	
38084890000	1	Cap preass	✓			
38055378004	2	Hexagon nut	✓			
95972950002	0,001	Loctite 243 50 ml	✓			
38104363000	1	Interlock	✓			
96055070000	0,001	Grease PARALIQ GA 343	✓			
56984520000	1	Pan head screw DIN923 M5x4A2-70	✓			
71066180000	1	Blind plug BLK- M20	✓			
38014261002	1	Handle preass.	✓			
38053929003	1	Stop Bolt	✓			
57750700000	2	Retaining washer DIN6799-7	✓			
71169050000	4	Cable Clamp nylon 7,4mm NK-5N	✓			
38013665005	1	Ka Rd 12x24AWG 0,87m	✓			
57429100000	4	Hexagon screw DIN933 M4x10 A2-70	✓			
51488600000	1	Warning Plate Hand Injury 7.29K	✓			

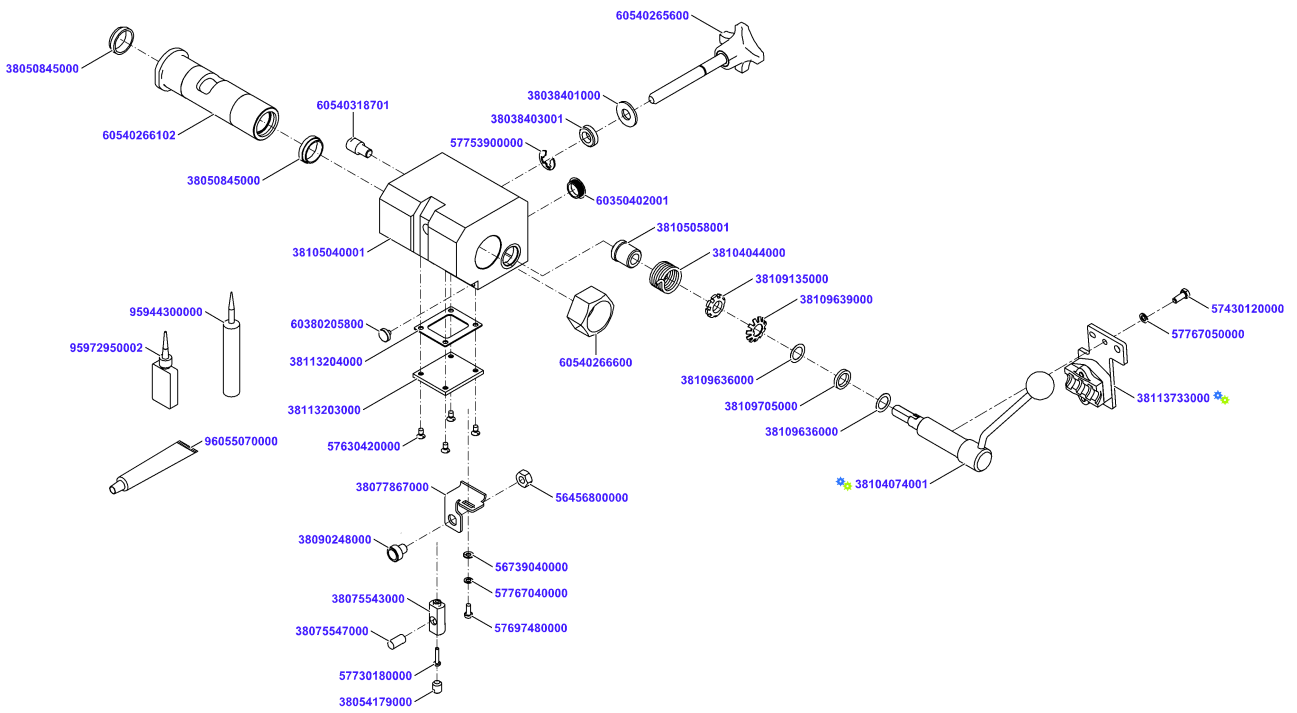
Product Holder cpl. VSI



Product Holder cpl. VSI

Material No.	Qty	Material description	available for order	Wear part	Recomm. sp. part	Metr. relevance
60540269601	1	product holder	✓			
60510200081	2	collar stud	✓			
60540269700	1	Side frame left	✓			
60540269800	1	Side frame right	✓			
38038982000	3	Gripper Shaft cpl.	✓			
38038989000	1	Gripper Shaft cpl.	✓			
60540269901	1	Gripper Shaft cpl	✓			
56086270000	1	Ball knob DIN319 M8x32 I	✓			
56243100000	5	Cylindrical pin EN 22338-3h11x10-A2	✓			
60510200037	5	Pinion	✓			
40510200086	2	Pressure spring	✓			
38071862000	2	brake pad	✓			
60540277600	4	self-tapping screw	✓			
38099356001	1	Holder preass.	✓			
60540270201	2	Cap nut M6	✓		✓	
95972950002	0,001	Loctite 243 50 ml	✓			
40530203201	1	push button	✓			
40530203302	1	sliding piece	✓	✓	✓	

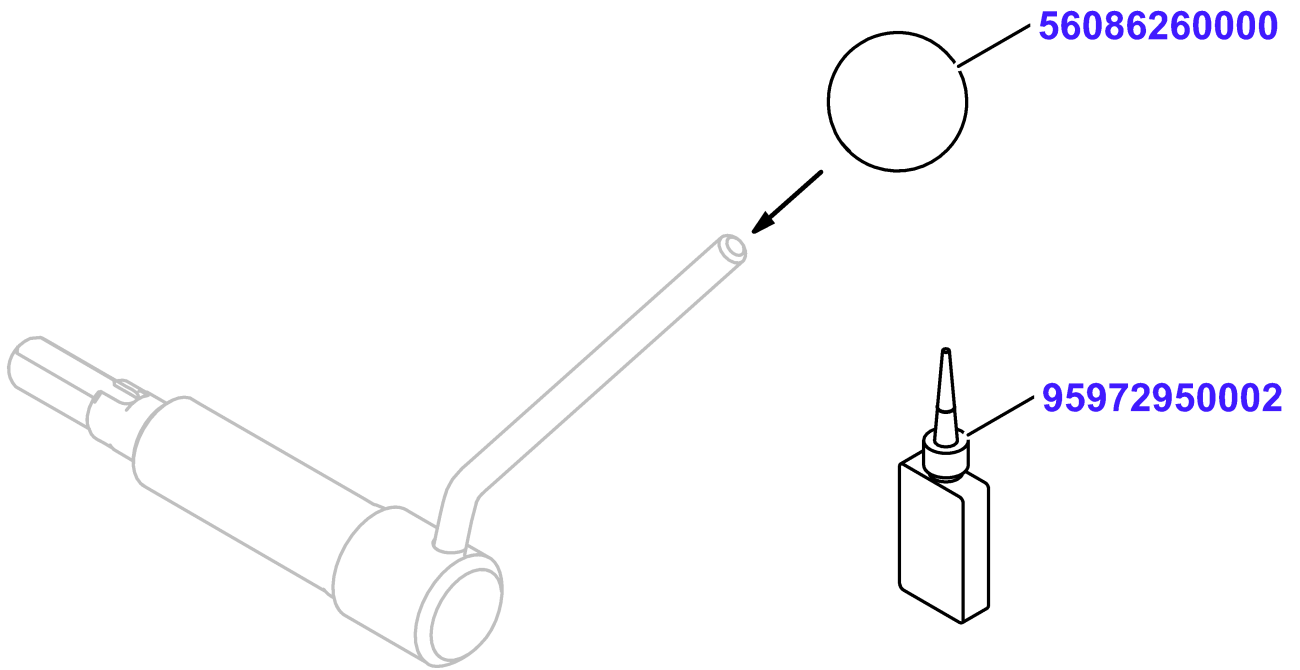
Product Holder Guide NSF cpl



Product Holder Guide NSF cpl

Material No.	Qty	Material description	available for order	Wear part	Recomm. sp. part	Metr. relevance
38105040001	1	Product Holder Guide	✓			
60540265600	1	locking lever mount.	✓			
38038401000	1	washer	✓			
38038403001	1	Bushing 19,1x10,7x5	✓			
57753900000	1	Retaining washer DIN6799-9	✓			
60540266102	1	Bushing complete	✓		✓	
38050845000	2	Deflector Ring	✓			
60540266600	1	hex nut	✓			
38109705000	1	Shaft seal 12x18x3	✓			
38109636000	1	Shim ring DIN988-12x18x0,2	✓			
38104074001	1	Bolt NSF cpl	✓			
38109636000	1	Shim ring DIN988-12x18x0,2	✓			
38109639000	1	Safety plate DIN5406-MB1	✓			
38109135000	1	Grooved nut M12 x 0.5	✓			
38105058001	1	Bushing 19,5/18x10,2x21	✓			
38104044000	1	Torsion spring left	✓			
96055070000	0,005	Grease PARALIQ GA 343	✓			
38113733000	1	Holder preassembled	✓			
57767050000	1	Spring lock washer DIN128-A5-FSt	✓			
57430120000	1	Hexagon screw DIN933 M5x12 A2-70	✓			
60350402001	1	Protective plug	✓			
95944300000	0,005	Kitchen silicone ELASTO4710	✓			
38113203000	1	cover	✓			
38113204000	1	Seal 47x40x1	✓			
57630420000	4	Countersunk screw DIN963 M4x8-A2-70	✓			
38077867000	1	Magnet Base	✓			
38090248000	1	Magnet Vacodym 370 wz round 10x4 preass	✓		✓	
56456800000	1	Hexagon nut DIN934-M8-A2	✓			
57697480000	1	Cylinder screw DIN84 M4x10-A2-70	✓			
56739040000	1	Washer DIN125-A 4.3-A2-70	✓			
57767040000	1	Spring lock washer DIN128-A4-FSt	✓			
38075543000	1	Mounting Pin	✓			
57730180000	1	Oval-head screw ISO14583 M3x16-A2-70-T10	✓			
38075547000	1	Parallel Pin 8x15	✓			
38054179000	1	Set screw DIN438 M8x10-A2-70	✓			
60380205800	1	SLIDE PIN	✓			
60540318701	1	stop pin	✓			
95972950002	0,001	Loctite 243 50 ml	✓			

Bolt NSF cpl

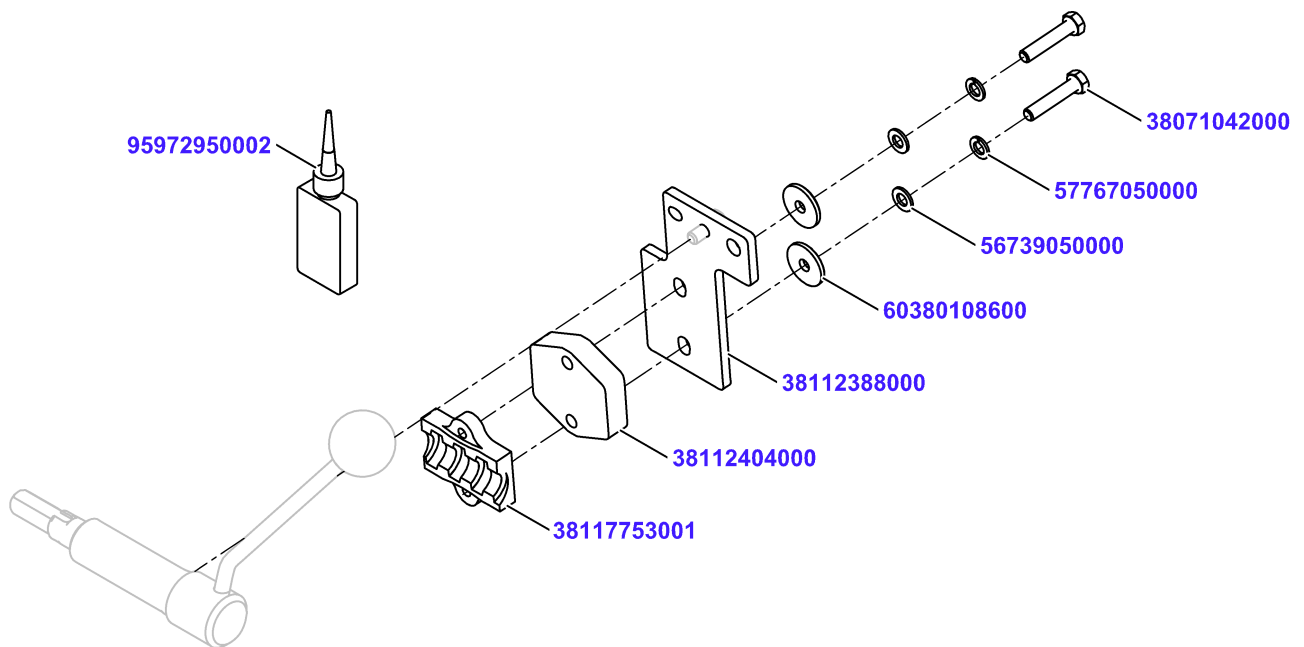


Bolt NSF cpl

Material No.	Qty	Material description
56086260000	1	Ball knob DIN319 M6x25 I
95972950002	0,001	Loctite 243 50 ml

available for order
Wear part
Recomm. sp. part
Metr. relevance

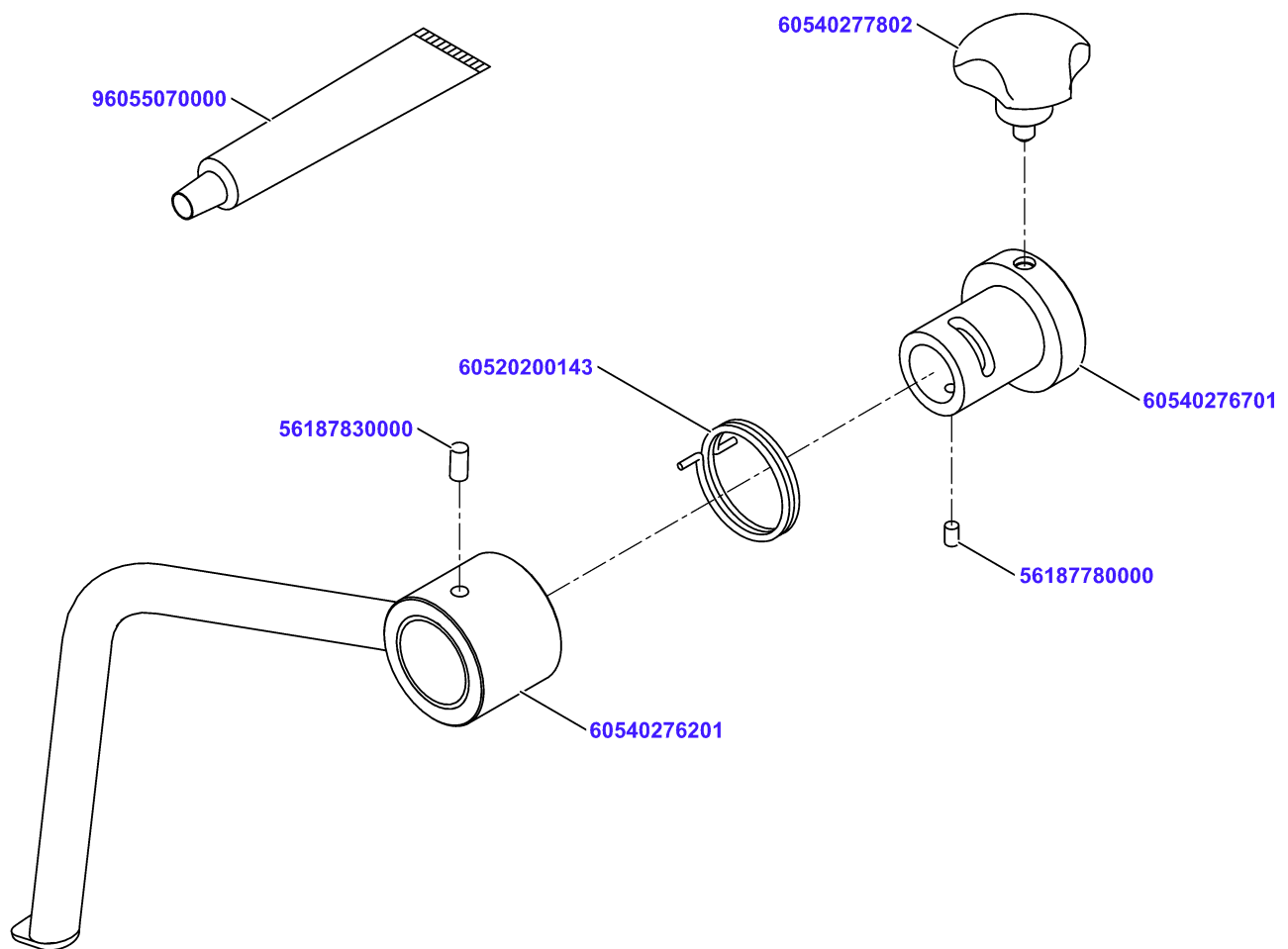
Holder preassembled










Holder preassembled

Material No.	Qty	Material description	available for order	Wear part	Recomm. sp. part	Metr. relevance
38112388000	1	Holder	✓			
38112404000	1	Spacer plate 40x40x10	✓			
38117753001	1	Nut Plate TR20X12P4	✓	✓	✓	
38071042000	2	Hexagon screw DIN933 M5x25 A2-70	✓			
60380108600	2	Washer	✓			
56739050000	2	Washer DIN125-A-5-A2	✓			
57767050000	2	Spring lock washer DIN128-A5-FSt	✓			
95972950002	0,001	Loctite 243 50 ml	✓			

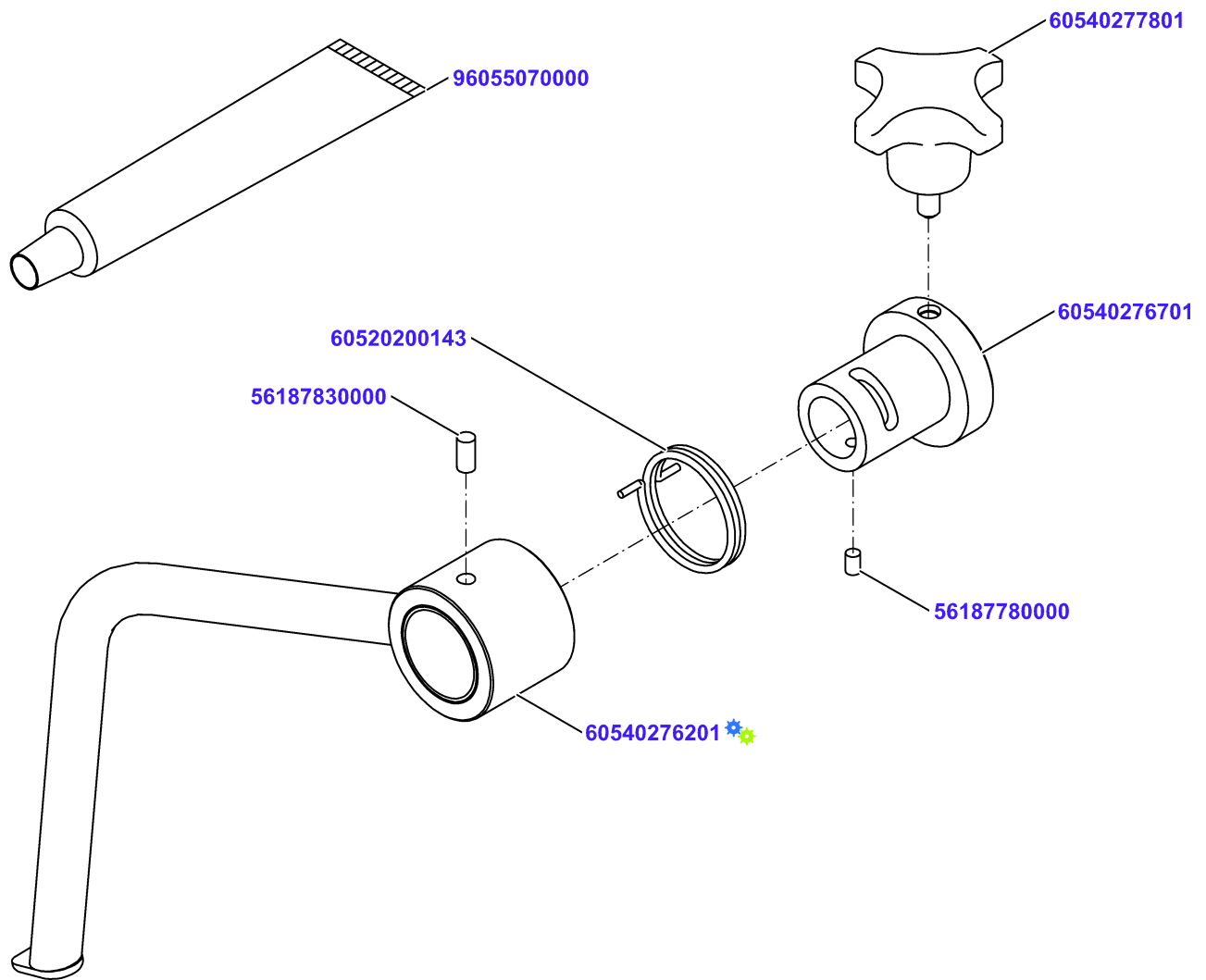
Holding Down Device ass.









Holding Down Device ass.

Material No.	Qty	Material description	available for order	Wear part	Recomm. sp. part	Metr. relevance
60540276201	1	Holding Down Device preass.				
56187830000	1	Cylindrical pin EN 22338-5m6x10-A2				
60540276701	1	hub				
60540277802	1	Handle with screw M6 x 13,55				
56187780000	1	Cylindrical pin EN 22338-4m6x6-A2				
60520200143	1	torsion spring				
96055070000	0,005	Grease PARALIQ GA 343				

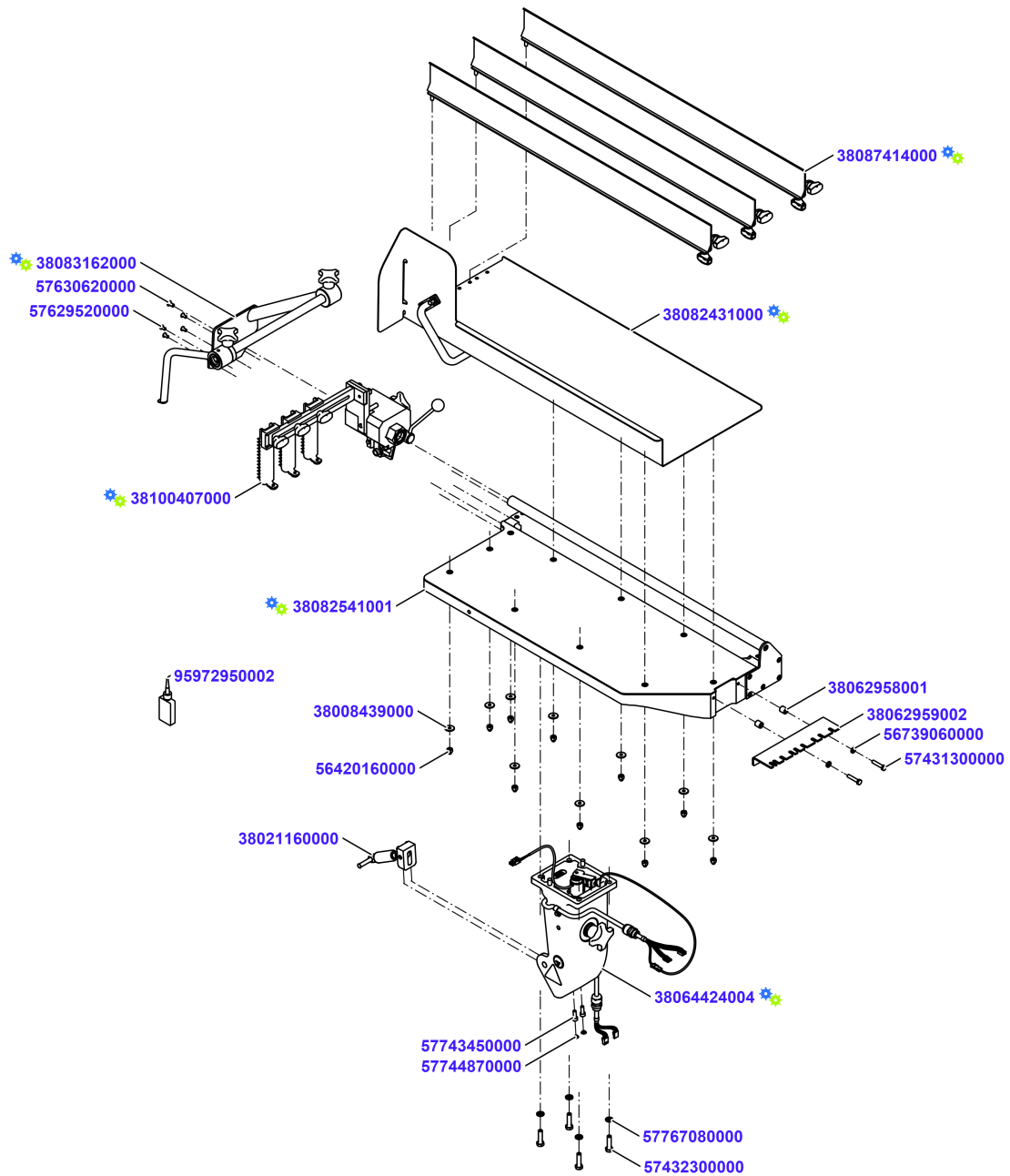
Holding Down Device ass.



Holding Down Device ass.

Material No.	Qty	Material description	available for order	Wear part	Recomm. sp. part	Metr. relevance
60540276201	1	Holding Down Device preass.				
56187830000	1	Cylindrical pin EN 22338-5m6x10-A2				
60540276701	1	hub				
56187780000	1	Cylindrical pin EN 22338-4m6x6-A2				
60520200143	1	torsion spring				
96055070000	0,005	Grease PARALIQ GA 343				

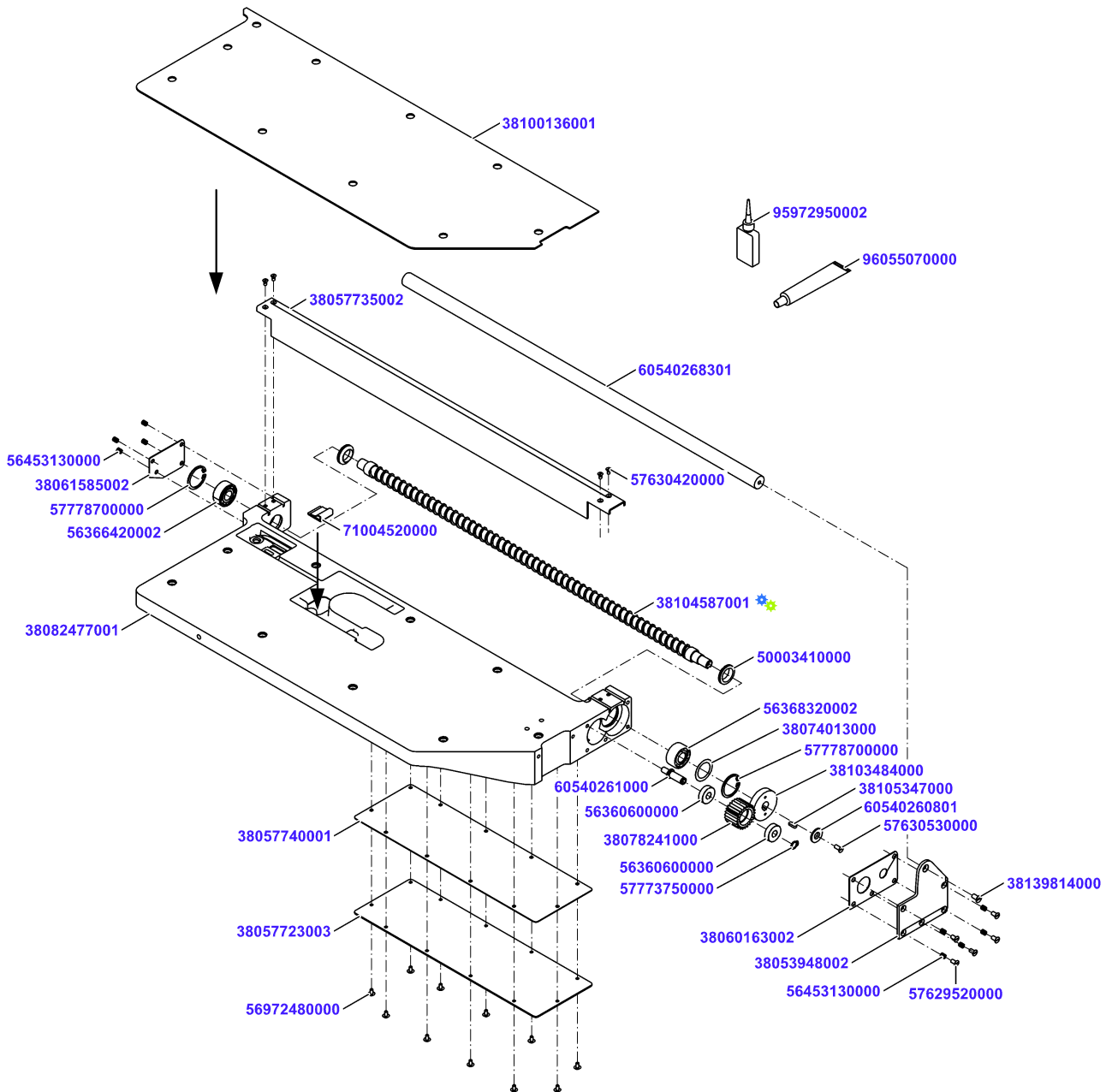
Carriage 600 template



Carriage 600 template

Material No.	Qty	Material description	available for order	Wear part	Recomm. sp. part	Metr. relevance
38082541001	1	Carriage 600 cpl.				
38082431000	1	Carriage Plate Template preass	✓			
56420160000	10	Cap nut DIN986-M6-A2	✓			
38008439000	10	Sealing washer M6	✓		✓	
38100407000	1	Product Holder Template cpl				
38083162000	1	Product Supporter top NSF cpl				
57629520000	4	Countersunk screw DIN963 M5x10-A2-70	✓			
95972950002	0,001	Loctite 243 50 ml	✓			
57630620000	1	Countersunk screw DIN963 M6x12-A2-70	✓			
38064424004	1	Carriage Foot high cpl				
57432300000	4	Hexagon screw DIN933 M8x30 A2-70	✓			
57767080000	4	Spring lock washer DIN128-A8-A2	✓			
38021160000	1	Gas Spring Carriage 600 cpl	✓		✓	
57743450000	2	Cylinder screw DIN912 M6x16-A2-70	✓			
57744870000	2	Protective plug 10x5,2x3,1-PE	✓		✓	
38087414000	3	metal sheet insert cpl mach	✓			
38062959002	1	Angle	✓			
38062958001	2	Spacer	✓			
57431300000	2	Hexagon screw DIN933 M6x30 A2-70	✓			
56739060000	2	Washer DIN125-A-6-A2	✓			

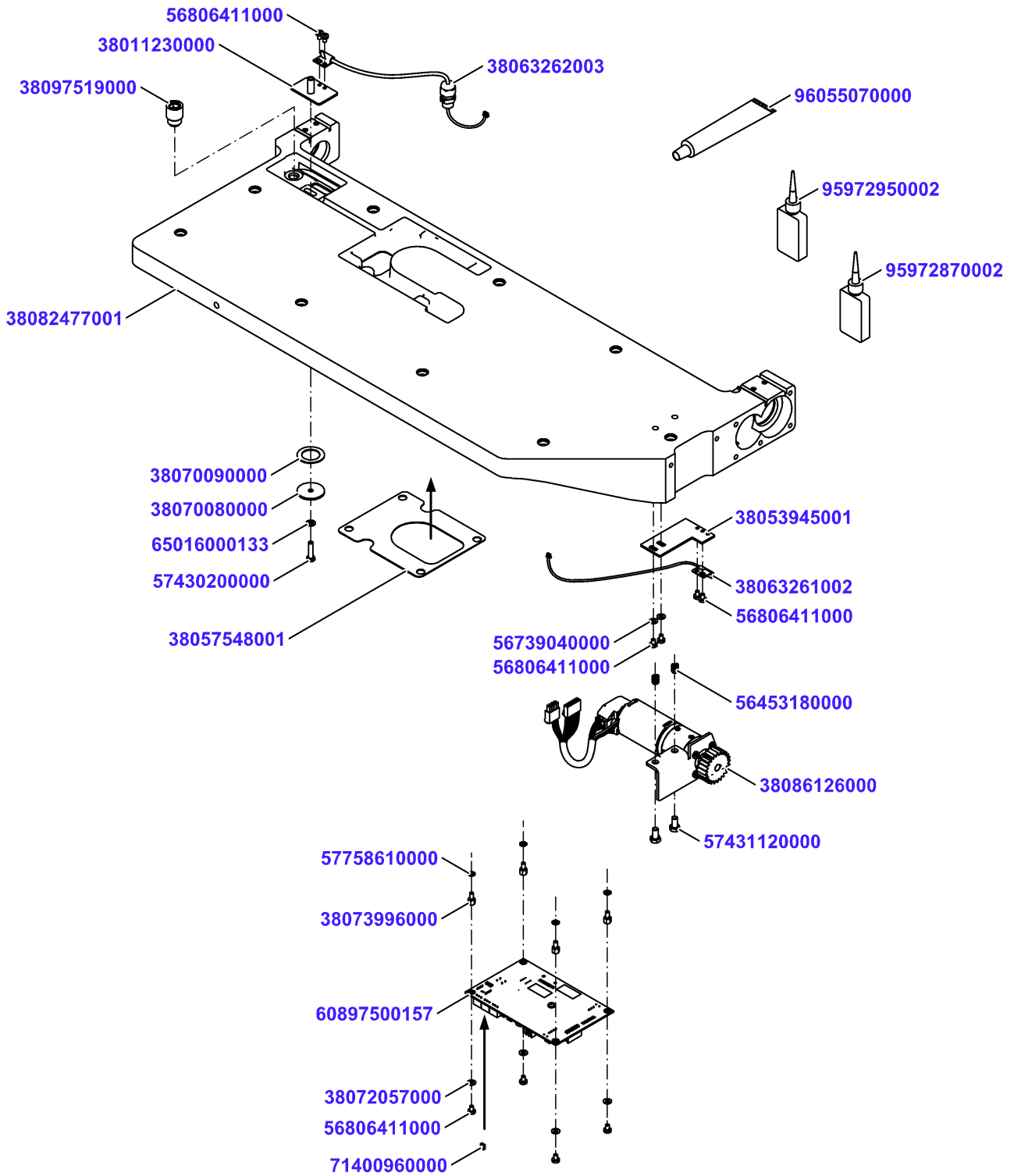
Carriage 600 cpl.



Carriage 600 cpl.

Material No.	Qty	Material description	available for order	Wear part	Recomm. sp. part	Metr. relevance
38082477001	1	Carriage 600 cast machined	✓			
56453130000	9	Thread insert M5x7,5-A2	✓			
56366420002	1	Self-Aligning Ball Bearing 2202	✓			
57778700000	1	Retaining ring DIN472-35x1,5	✓			
50003410000	1	Wiper ring 30x20x7	✓			
38104587001	1	Feedspindle 721xTR20X12 ass.	✓			
50003410000	1	Wiper ring 30x20x7	✓			
56368320002	1	Angular bearing double-row 15x35x15,9	✓			
57778700000	1	Retaining ring DIN472-35x1,5	✓			
38074013000	1	Shim ring DIN988-25x35x0,1	✓			
38103484000	1	Gear Wheel	✓			
96055070000	0,001	Grease PARALIQ GA 343	✓			
38105347000	1	Parallel key DIN6885-A 5x3x14	✓			
60540260801	1	Washer	✓			
57630530000	1	Countersunk screw DIN963 M5x12-A2-70	✓			
95972950002	0,001	Loctite 243 50 ml	✓			
60540261000	1	bolt	✓			
38078241000	1	Gear Wheel	✓			
56360600000	2	Grooved ball bearing DIN625 10x26x8	✓			
57773750000	1	Retaining ring DIN471-10x1	✓			
38057735002	1	Guide Rail 600er	✓			
57630420000	4	Countersunk screw DIN963 M4x8-A2-70	✓			
71004520000	1	Flat Cabel Holder 3484-1000	✓			
38053948002	1	Flange	✓			
38060163002	1	Sealing	✓		✓	
57629520000	5	Countersunk screw DIN963 M5x10-A2-70	✓			
38061585002	1	sealing	✓		✓	
60540268301	1	guide shaft	✓			
38139814000	1	Screw DIN963 M6x12-A2 - Precote 80-8	✓		✓	
38100136001	1	Flat Seal Carriage Plate 600	✓		✓	
38057723003	1	Cover 378x119,1x2	✓			
38057740001	1	Seal long	✓		✓	
56972480000	11	Mushroom head screw M4x8-A2-70 Tuflok	✓			

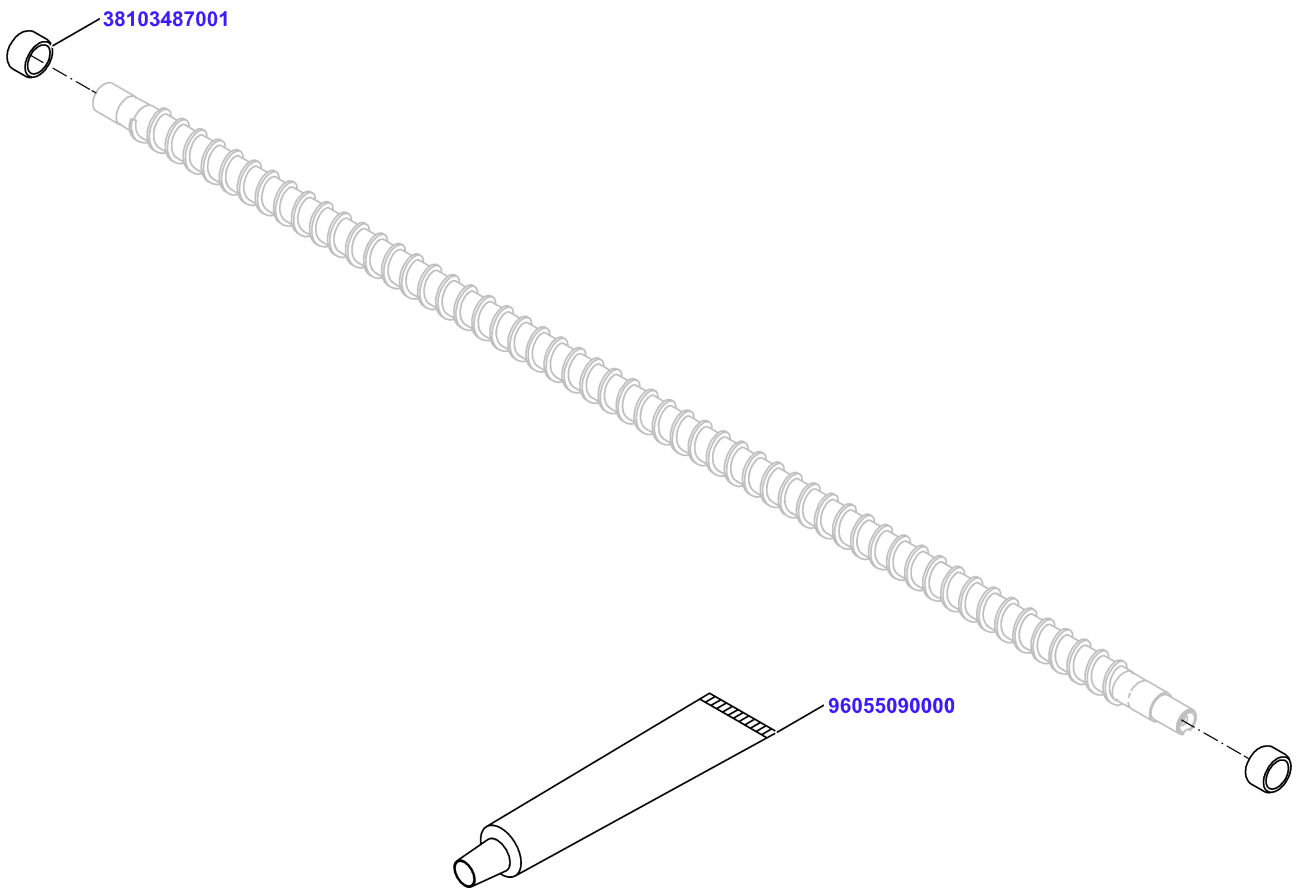
Carriage 600 cpl.



Carriage 600 cpl.

Material No.	Qty	Material description	available for order	Wear part	Recomm. sp. part	Metr. relevance
38082477001	1	Carriage 600 cast machined	✓			
56453180000	2	Threaded insert M6x9	✓			
96055070000	0,001	Grease PARALIQ GA 343	✓			
95972950002	0,001	Loctite 243 50 ml	✓			
38053945001	1	Board	✓			
38063261002	1	Sensor product feeding 1 VSI	✓			
56806411000	4	Oval-head screw ISO14583 M4x6-A2-70-T20	✓			
56739040000	2	Washer DIN125-A 4.3-A2-70	✓			
38011230000	1	Board cpl	✓			
38063262003	1	Sensor product feeding 2 VSI	✓			
56806411000	2	Oval-head screw ISO14583 M4x6-A2-70-T20	✓			
38070080000	1	Washer	✓			
38070090000	1	Sealing	✓		✓	
57430200000	1	Hexagon screw DIN933 M5x20 A2-70	✓			
65016000133	1	Washer 5-PA	✓			
38097519000	1	Sleeve 18 x 10 x 24.25	✓			
95972870002	0,001	Loctite 638	✓			
38086126000	1	Motor Product Feeding BG42x15 cpl	✓			
57431120000	2	Hexagon screw DIN933 M6x12 A2-70	✓			
60897500157	1	PCBAP MC 3ph 2ch lv bus	✓			
71400960000	1	Short Circuit Bracket 3131 731000406	✓		✓	
57758610000	4	Toothed washer DIN6797-A 4,3-Fst	✓			
38073996000	4	Distance bolt SW7x6 M4-M4 In-Out	✓			
56806411000	4	Oval-head screw ISO14583 M4x6-A2-70-T20	✓			
38072057000	4	Washer DIN125-A-4-PA6	✓			
38057548001	1	Seal	✓		✓	

Feedspindle 721xTR20X12 ass.

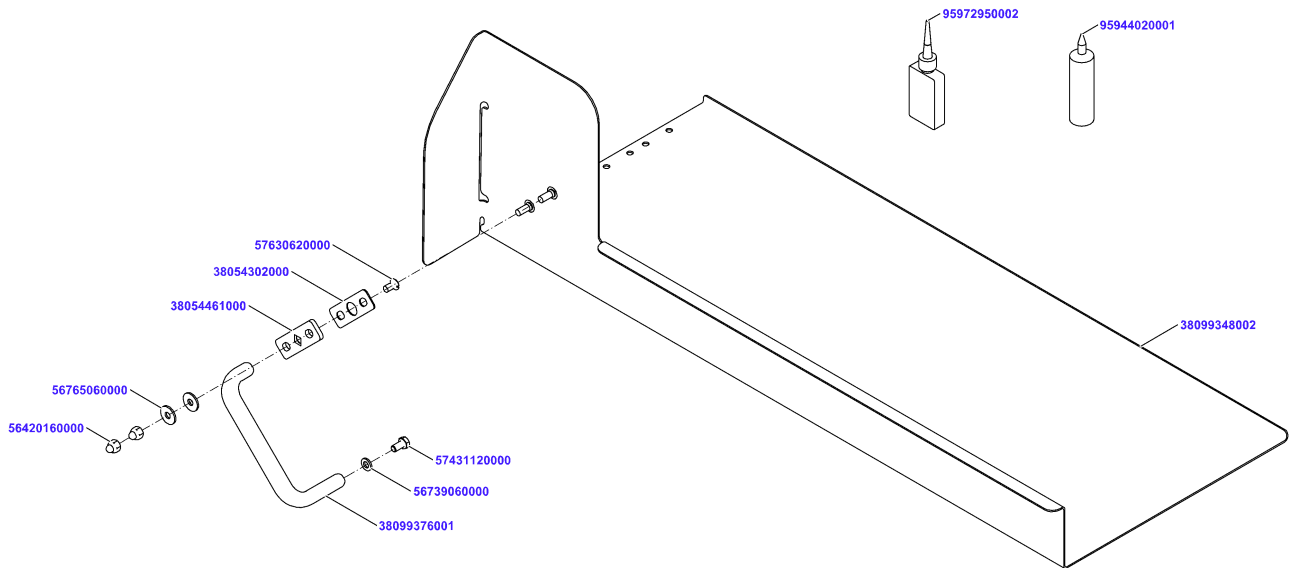


Feedspindle 721xTR20X12 ass.

Material No.	Qty	Material description
38103487001	2	Ring 12x20x15H7
96055090000	0,002	Assembly-paste Rivolta F.L.A. 100 ml

available for order
Wear part
Recomm. sp. part
Metr. relevance

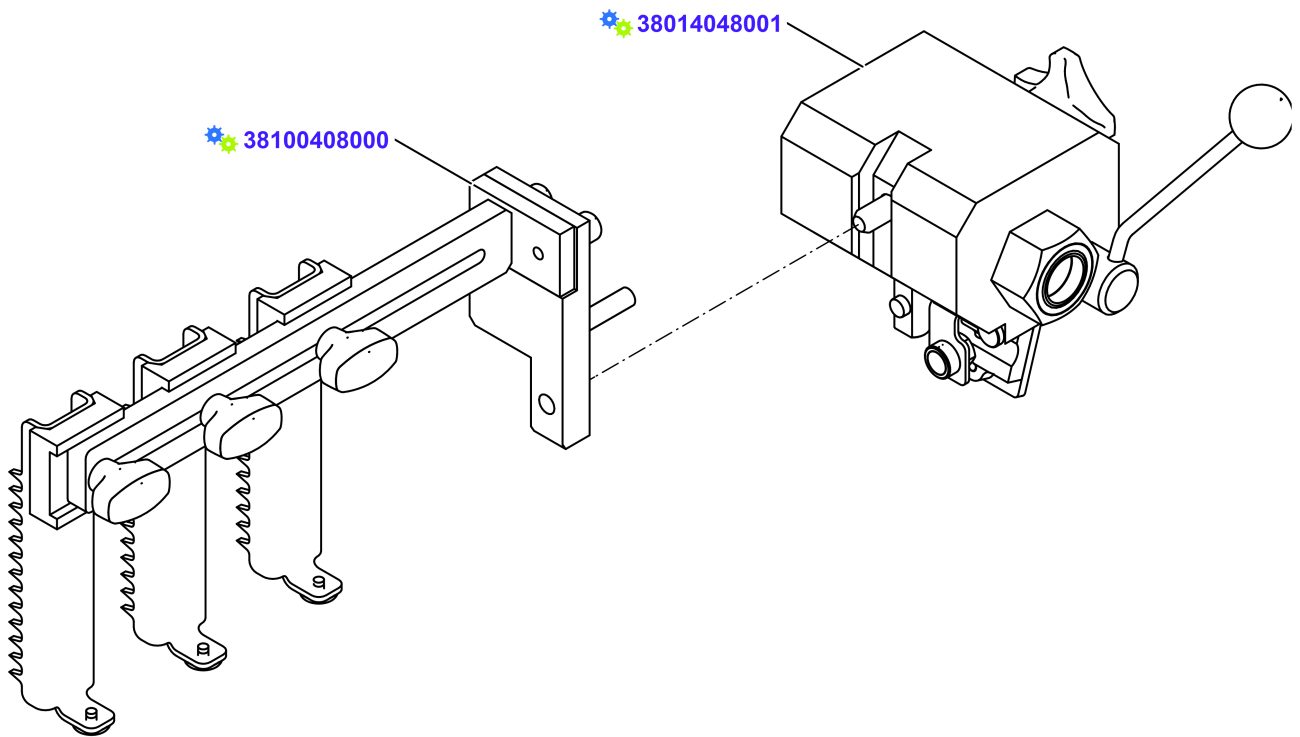
Carriage Plate Template preass



Carriage Plate Template press

Material No.	Qty	Material description	available for order	Wear part	Recomm. sp. part	Metr. relevance
38099348002	1	Carriage Plate welded	✓			
38099376001	1	Handle	✓			
38054461000	1	Plate	✓			
38054302000	1	Gasket	✓		✓	
95944020001	10	Silicone Rubber Elastosil E41 90ml	✓			
57630620000	1	Countersunk screw DIN963 M6x12-A2-70	✓			
95972950002	0,001	Loctite 243 50 ml	✓			
56420160000	2	Cap nut DIN986-M6-A2	✓			
56765060000	2	Washer DIN9021-6-A2	✓			
57431120000	1	Hexagon screw DIN933 M6x12 A2-70	✓			
56739060000	1	Washer DIN125-A-6-A2	✓			

Product Holder Template cpl

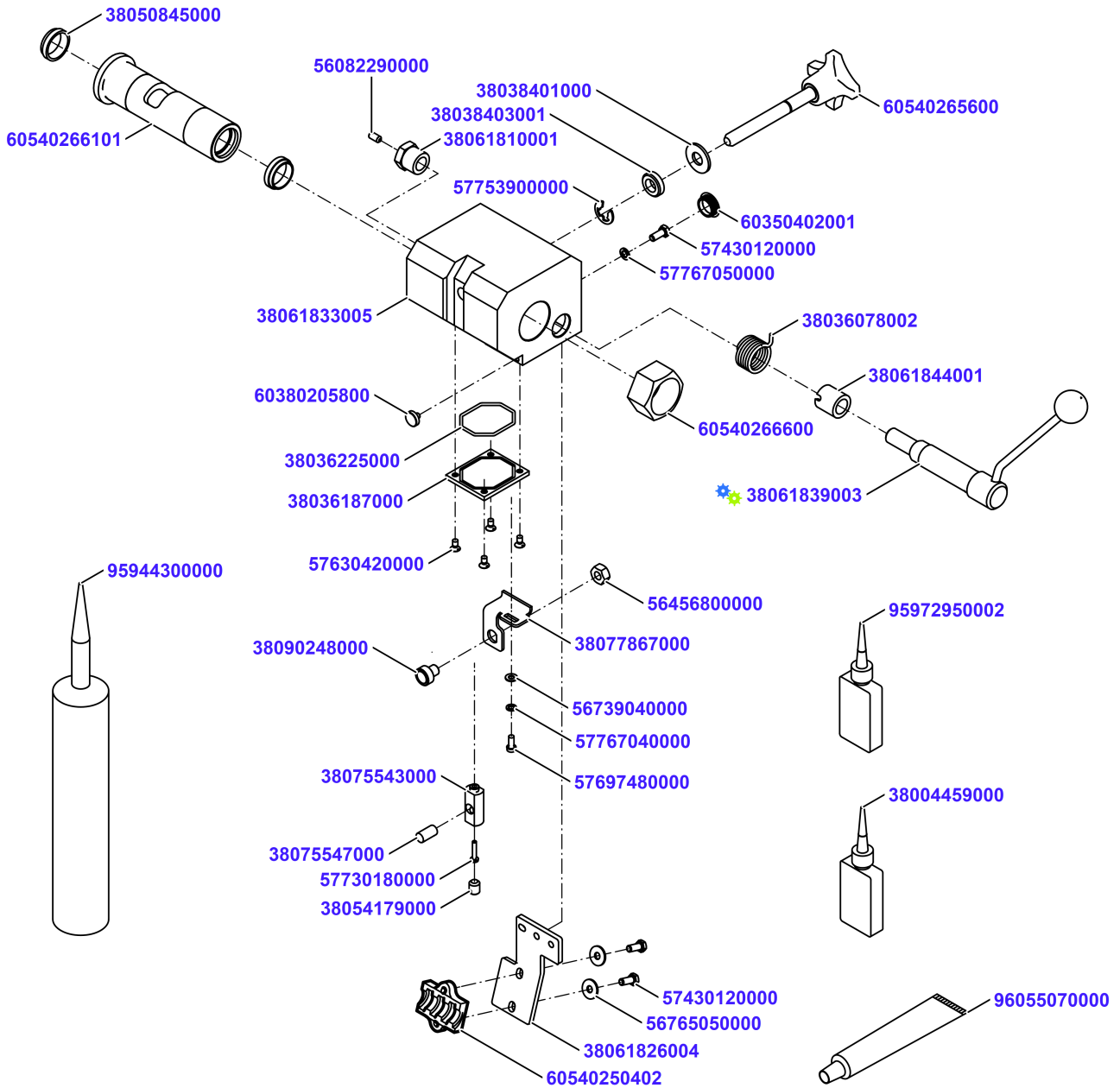


Product Holder Template cpl

Material No.	Qty	Material description
38014048001	1	Product Holder Guide NSF cpl
38100408000	1	Product Holder cpl. Carriage guide ruler

available for order
Wear part
Recomm. sp. part
Metr. relevance

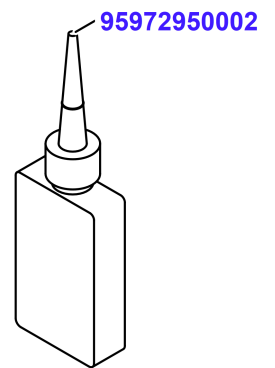
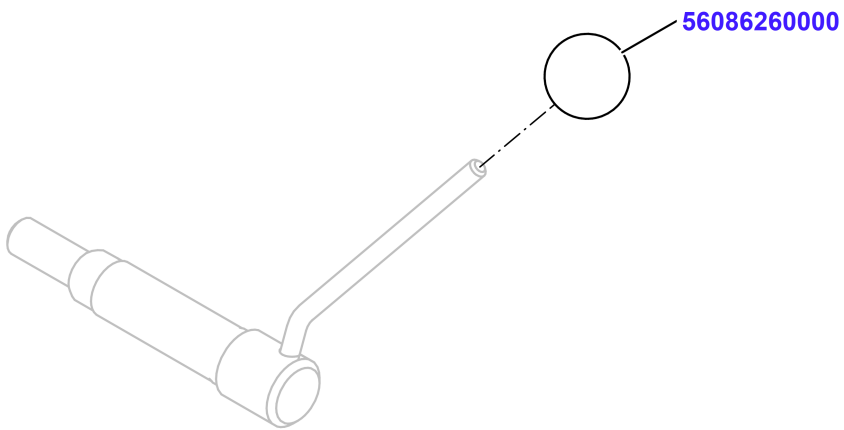
Product Holder Guide NSF cpl



Product Holder Guide NSF cpl

Material No.	Qty	Material description	available for order	Wear part	Recomm. sp. part	Metr. relevance
38061833005	1	Product Holder Guide	✓			
60540265600	1	locking lever mount.	✓			
38038401000	1	washer	✓			
38038403001	1	Bushing 19,1x10,7x5	✓			
57753900000	1	Retaining washer DIN6799-9	✓			
60540266101	1	Bushing complete	✓	✓	✓	
38050845000	2	Deflector Ring	✓			
60540266600	1	hex nut	✓			
38061839003	1	Bolt NSF cpl	✓			
38061844001	1	Sleeve	✓			
38036078002	1	torsion spring left	✓			
96055070000	0,005	Grease PARALIQ GA 343	✓			
38061810001	1	Screw Nut	✓			
38004459000	0,001	Loctite 648	✓			
56082290000	1	Set screw DIN438 M5x10-A2-70	✓			
95972950002	0,001	Loctite 243 50 ml	✓			
38061826004	1	Holder	✓			
60540250402	1	Nut Plate	✓	✓	✓	
56765050000	2	Washer DIN9021-5-A2	✓			
57767050000	1	Spring lock washer DIN128-A5-FSt	✓			
57430120000	3	Hexagon screw DIN933 M5x12 A2-70	✓			
60350402001	1	Protective plug	✓			
95944300000	1	Kitchen silicone ELASTO4710	✓			
38036187000	1	cover	✓			
38036225000	1	seal	✓		✓	
57630420000	4	Countersunk screw DIN963 M4x8-A2-70	✓			
38077867000	1	Magnet Base	✓			
38090248000	1	Magnet Vacodym 370 wz round 10x4 preass	✓		✓	
56456800000	1	Hexagon nut DIN934-M8-A2	✓			
57697480000	1	Cylinder screw DIN84 M4x10-A2-70	✓			
56739040000	1	Washer DIN125-A 4.3-A2-70	✓			
57767040000	1	Spring lock washer DIN128-A4-FSt	✓			
38075543000	1	Mounting Pin	✓			
57730180000	1	Oval-head screw ISO14583 M3x16-A2-70-T10	✓			
38075547000	1	Parallel Pin 8x15	✓			
38054179000	1	Set screw DIN438 M8x10-A2-70	✓			
60380205800	1	SLIDE PIN	✓			

Bolt NSF cpl

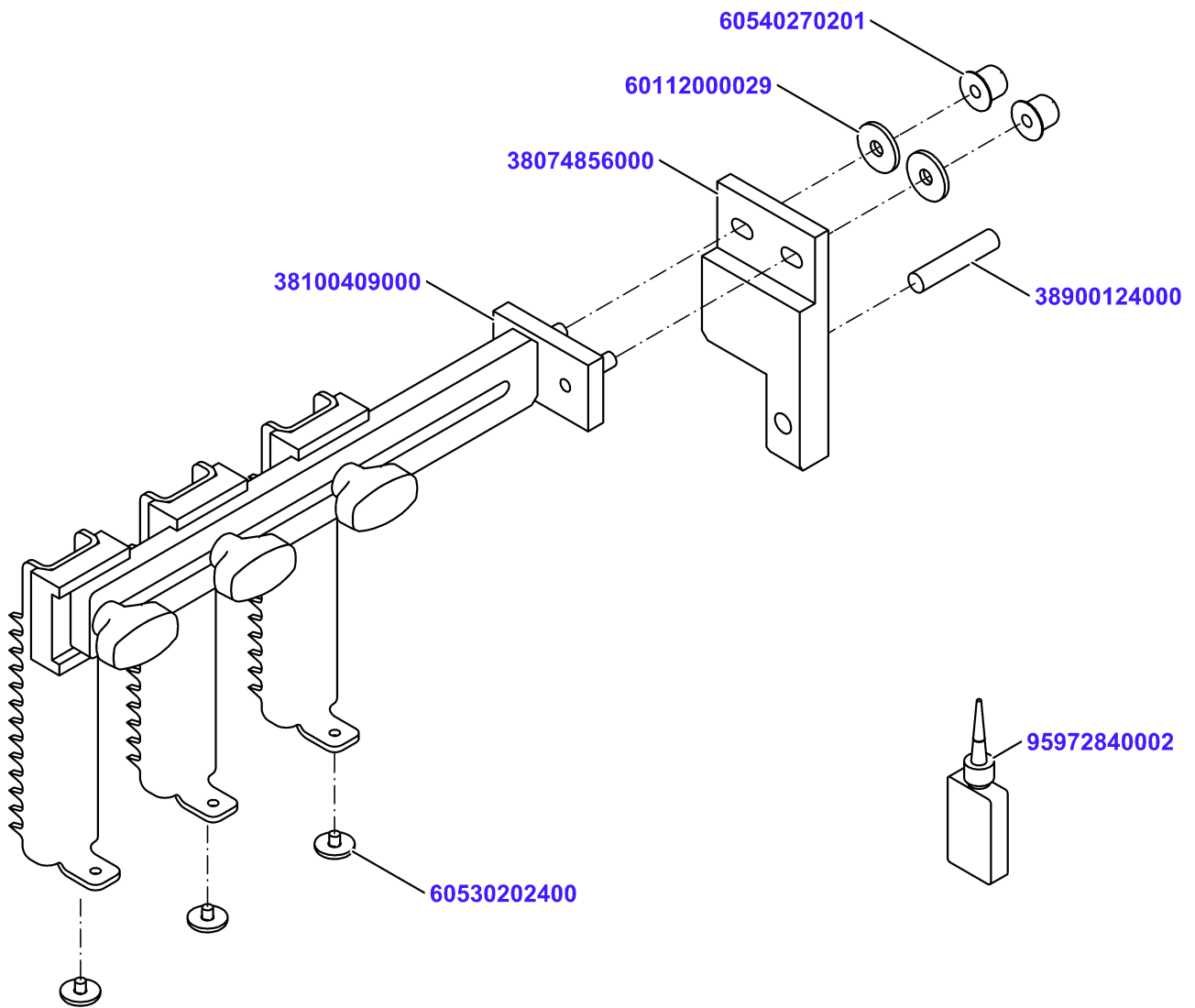


Bolt NSF cpl

Material No.	Qty	Material description
56086260000	1	Ball knob DIN319 M6x25 I
95972950002	0,001	Loctite 243 50 ml

available for order
Wear part
Recomm. sp. part
Metr. relevance

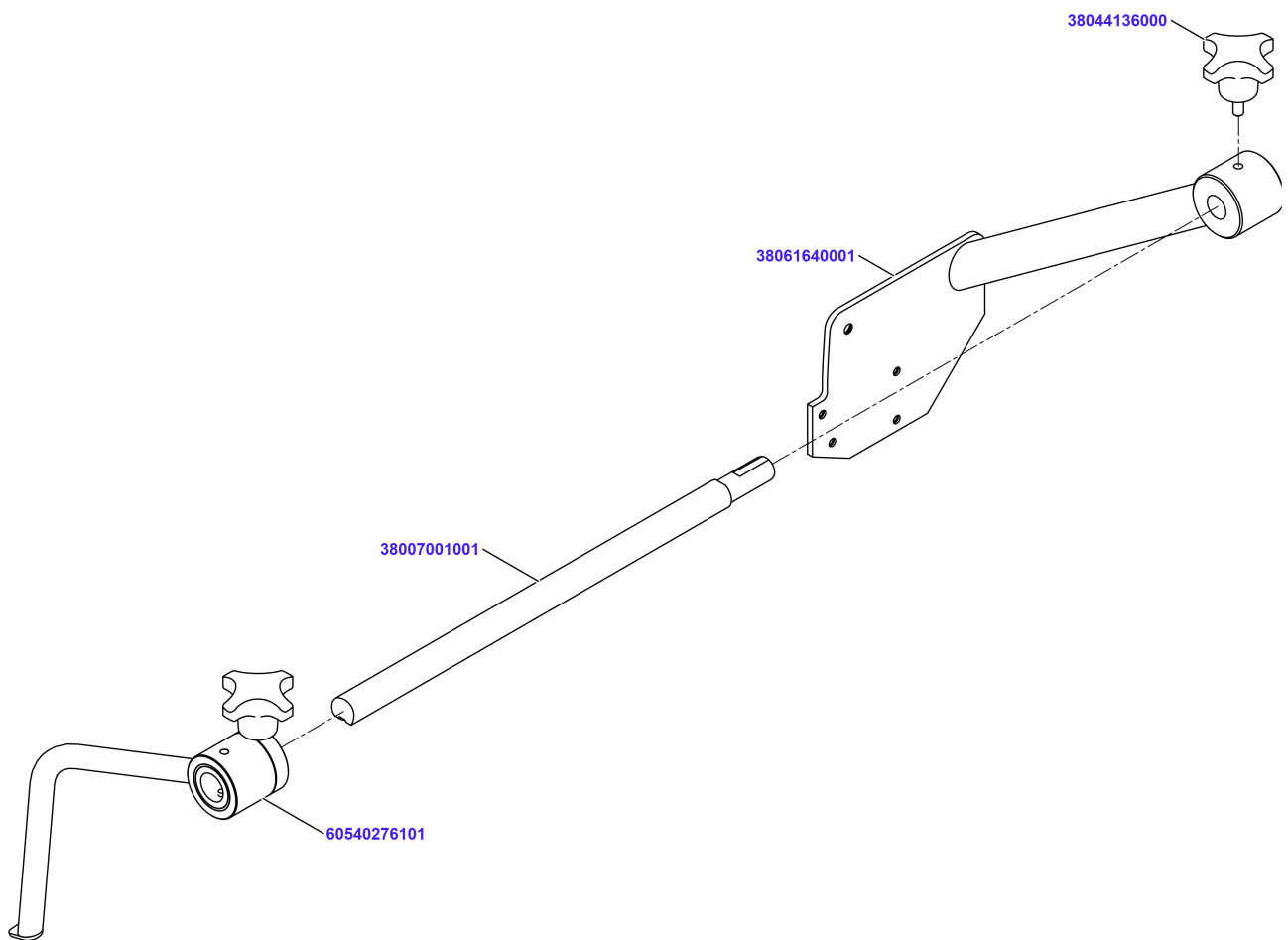
Product Holder cpl. Carriage guide ruler







Product Holder cpl. Carriage guide ruler

Material No.	Qty	Material description	available for order	Wear part	Recomm. sp. part	Metr. relevance
38100409000	1	Product Holder with guide feeder	✓			
60530202400	3	slider	✓			
38074856000	1	Feeder Adapter	✓			
60112000029	2	Washer	✓			
60540270201	2	Cap nut M6	✓		✓	
38900124000	1	Cylindrical pin EN 22338-8m6x40-A2	✓			
95972840002	0,001	Loctite 648 10ml.	✓			

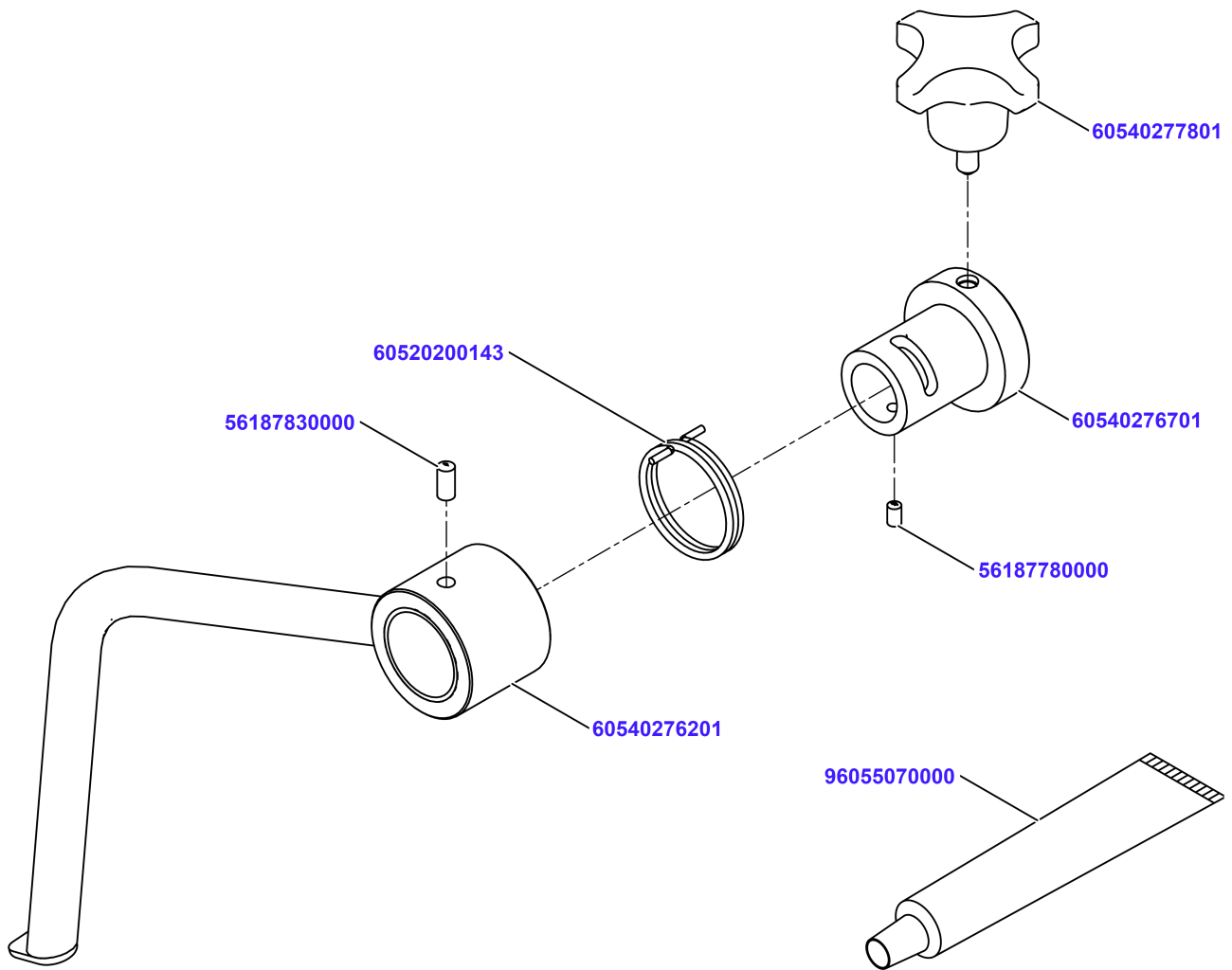
Product Supporter top NSF cpl










Product Supporter top NSF cpl

Material No.	Qty	Material description	available for order	Wear part	Recomm. sp. part	Metr. relevance
38061640001	1	Mounting welded				
38007001001	1	Axis 18x342				
60540276101	1	HOULDING DOWN DEVICE ASS.				
38044136000	1	LOCKING SCREW				

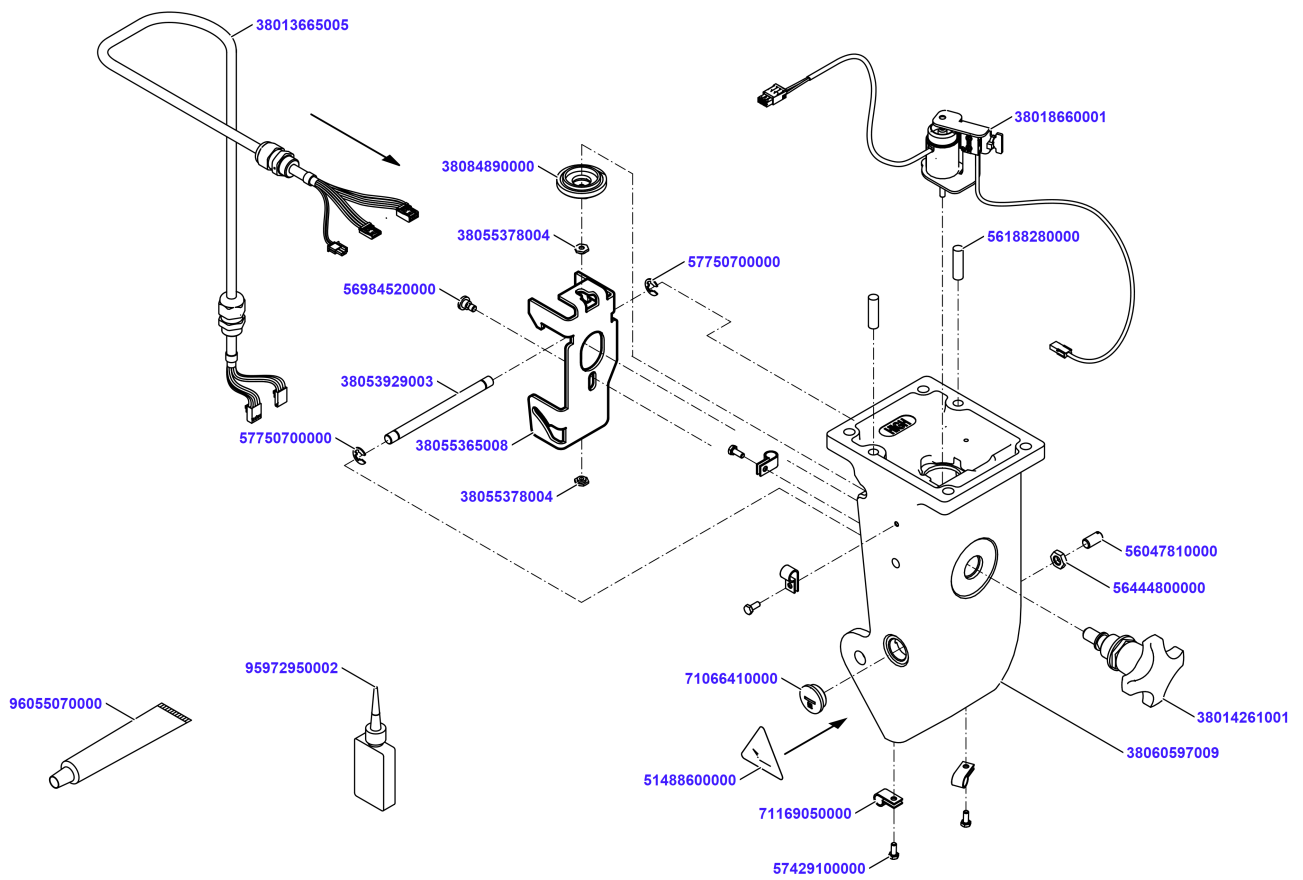
HOULDING DOWN DEVICE ASS.



HOULDING DOWN DEVICE ASS.

Material No.	Qty	Material description	available for order	Wear part	Recomm. sp. part	Metr. relevance
60540276201	1	Holding Down Device preass.				
60540276701	1	hub				
60540277801	1	LOCKING SCREW				
60520200143	1	torsion spring				
56187830000	1	Cylindrical pin EN 22338-5m6x10-A2				
96055070000	0,005	Grease PARALIQ GA 343				
56187780000	1	Cylindrical pin EN 22338-4m6x6-A2				

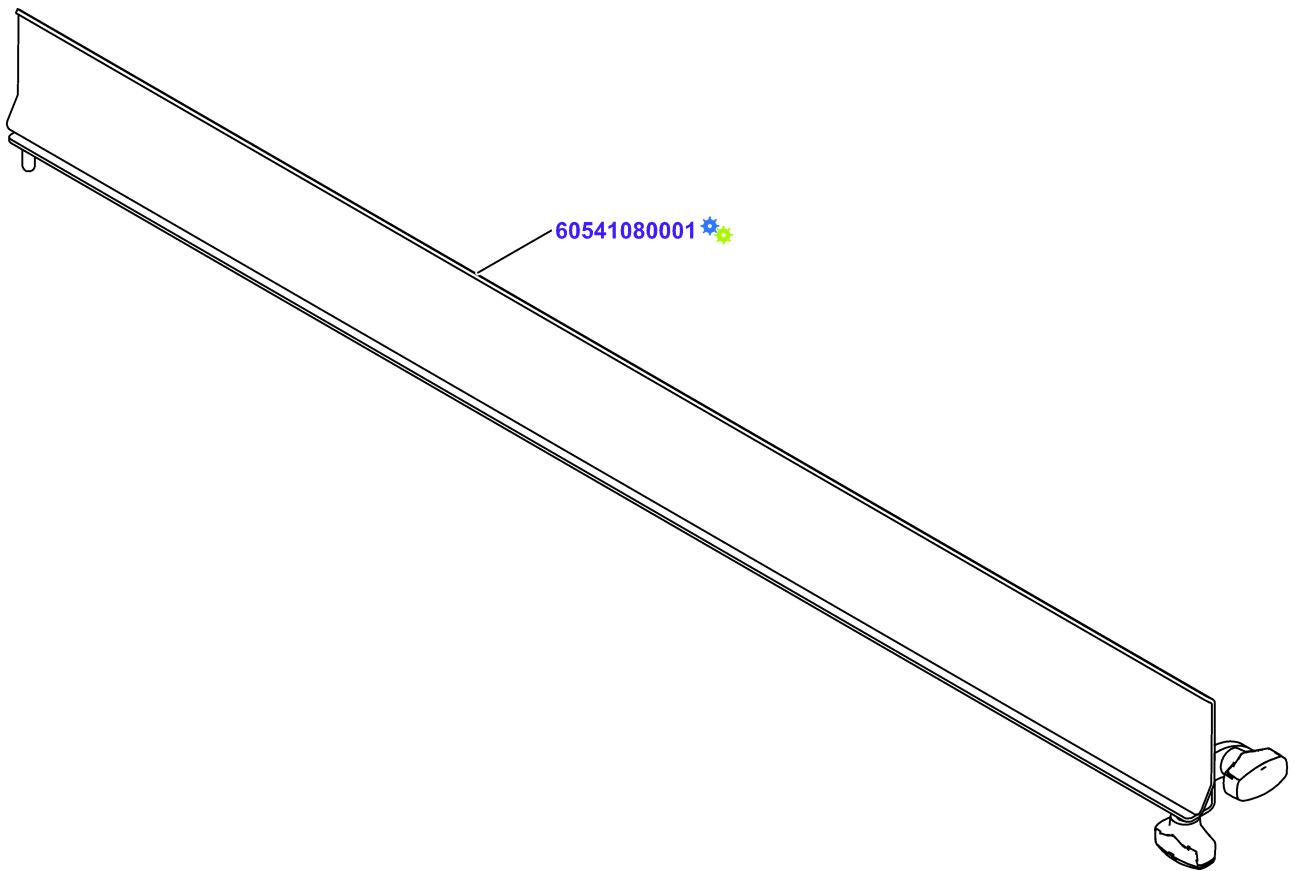
Carriage Foot high cpl



Carriage Foot high cpl

Material No.	Qty	Material description	available for order	Wear part	Recomm. sp. part	Metr. relevance
38060597009	1	Carriage Foot high mach	✓			
56188280000	2	Cylindrical pin EN 22338-8m6x28-A2	✓			
56047810000	1	Set screw DIN551 M8x16-PA 66	✓			
56444800000	1	Hexagon nut DIN439-M8-A2	✓			
38018660001	1	Magnet preass	✓	✓	✓	
38084890000	1	Cap preass	✓			
38055378004	2	Hexagon nut	✓			
95972950002	0,001	Loctite 243 50 ml	✓			
38055365008	1	Interlock	✓			
96055070000	0,001	Grease PARALIQ GA 343	✓			
56984520000	1	Pan head screw DIN923 M5x4A2-70	✓			
71066410000	1	Plug Round M20x1.5	✓			
38014261001	1	Handle preass	✓			
38053929003	1	Stop Bolt	✓			
57750700000	2	Retaining washer DIN6799-7	✓			
71169050000	4	Cable Clamp nylon 7,4mm NK-5N	✓			
38013665005	1	Ka Rd 12x24AWG 0,87m	✓			
57429100000	4	Hexagon screw DIN933 M4x10 A2-70	✓			
51488600000	1	Warning Plate Hand Injury 7.29K	✓			

metal sheet insert cpl mach



metal sheet insert cpl mach

Material No.	Qty	Material description
60541080001	1	Metal Sheet Insert cpl.

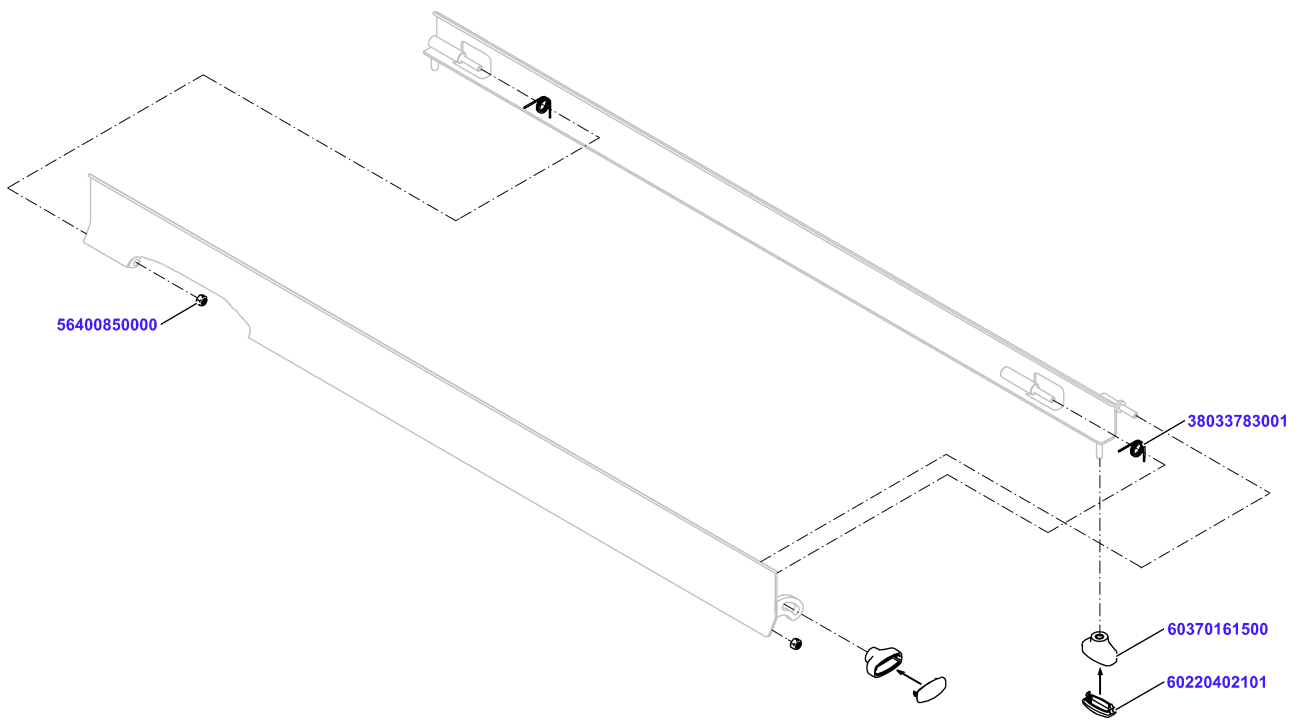
available for order

Wear part

Recomm. sp. part





Metr. relevance

Metal Sheet Insert cpl.

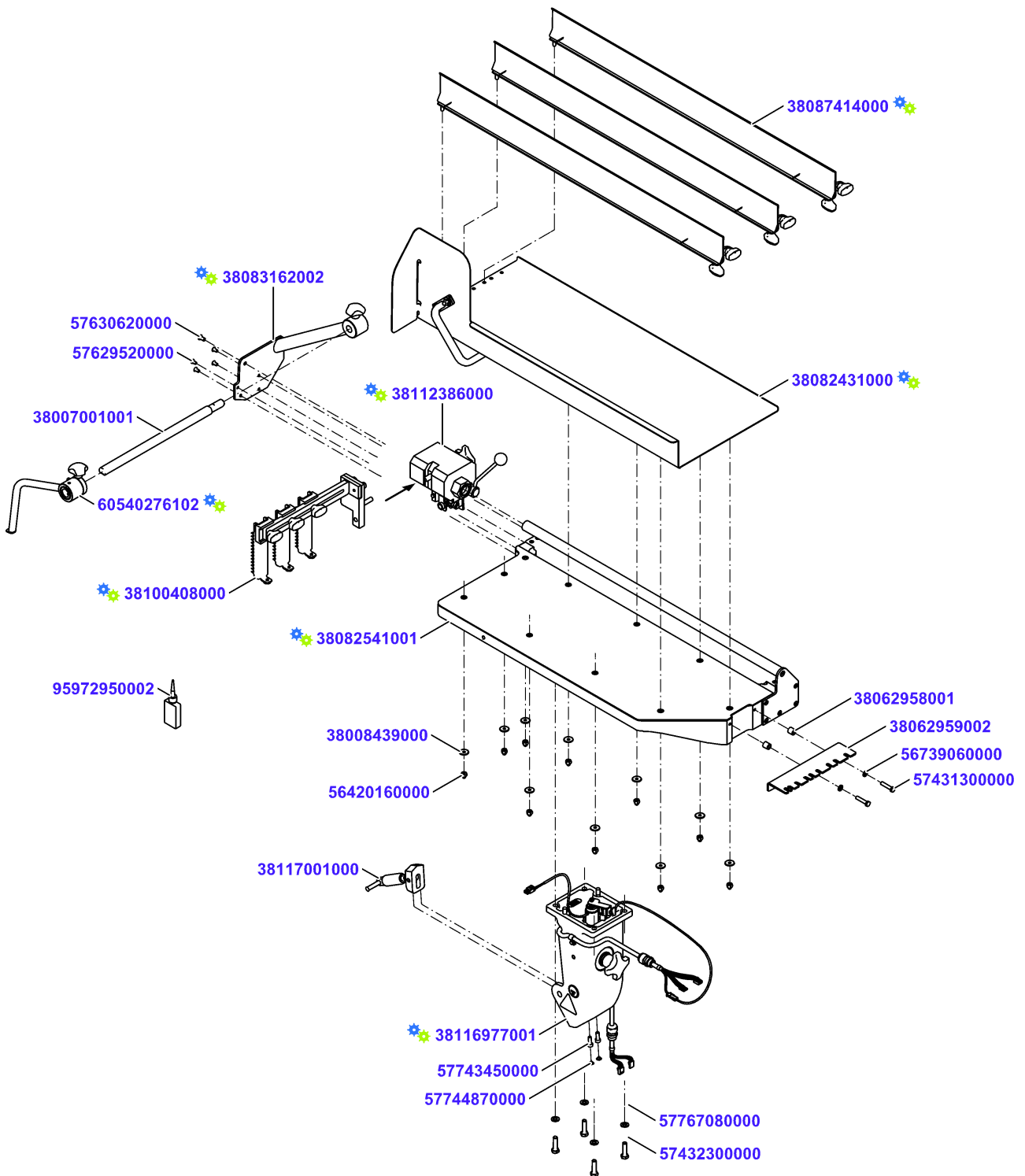


Metal Sheet Insert cpl.

Material No.	Qty	Material description
56400850000	2	Lock nut DIN985-M5-A2
60370161500	2	Clamp handle small M 5
60220402101	2	cover
38033783001	2	Torsion Spring 13,4x5,1x1,2x15/20

available for order	Wear part	Recomm. sp. part	Metr. relevance
			
			
			
			

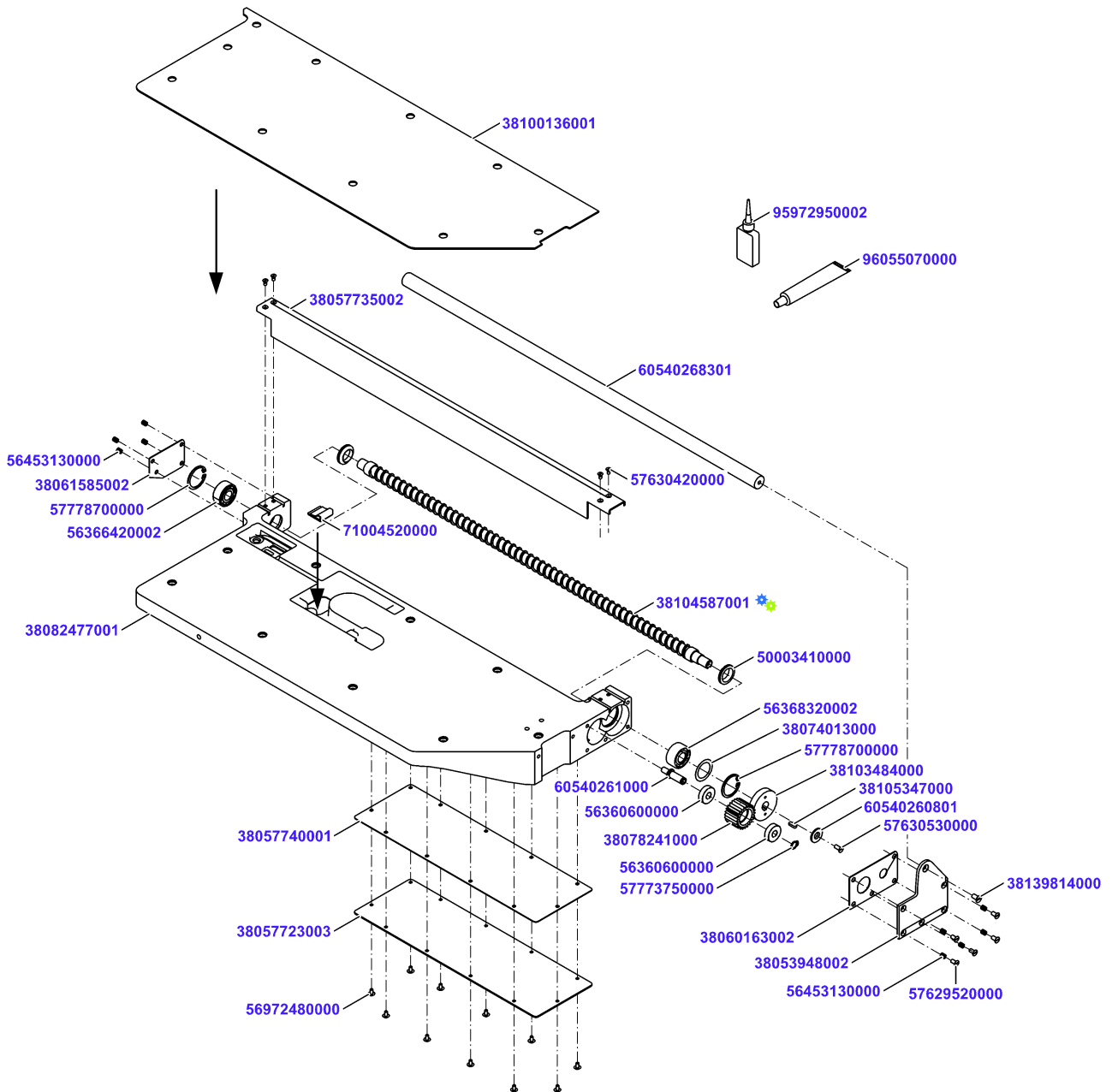
Carriage 600 template



Carriage 600 template

Material No.	Qty	Material description	available for order	Wear part	Recomm. sp. part	Metr. relevance
38082541001	1	Carriage 600 cpl.				
38082431000	1	Carriage Plate Template preass	✓			
56420160000	10	Cap nut DIN986-M6-A2	✓			
38008439000	10	Sealing washer M6	✓		✓	
38083162002	1	Product Supporter top NSF cpl				
57629520000	4	Countersunk screw DIN963 M5x10-A2-70	✓			
95972950002	0,001	Loctite 243 50 ml	✓			
57630620000	1	Countersunk screw DIN963 M6x12-A2-70	✓			
38116977001	1	Carriage Foot high cpl.				
57432300000	4	Hexagon screw DIN933 M8x30 A2-70	✓			
57767080000	4	Spring lock washer DIN128-A8-A2	✓			
38117001000	1	Gas pressure spring carriage 600 cpl	✓		✓	
57743450000	2	Cylinder screw DIN912 M6x16-A2-70	✓		✓	
57744870000	2	Protective plug 10x5,2x3,1-PE	✓		✓	
38087414000	3	metal sheet insert cpl mach	✓			
38062959002	1	Angle	✓			
38062958001	2	Spacer	✓			
57431300000	2	Hexagon screw DIN933 M6x30 A2-70	✓			
56739060000	2	Washer DIN125-A-6-A2	✓			
38007001001	1	Axis 18x342	✓			
60540276102	1	Holding Down Device ass.	✓			
38100408000	1	Product Holder cpl. Carriage guide ruler	✓			
38112386000	1	Product Holder Guide NSF cpl	✓			

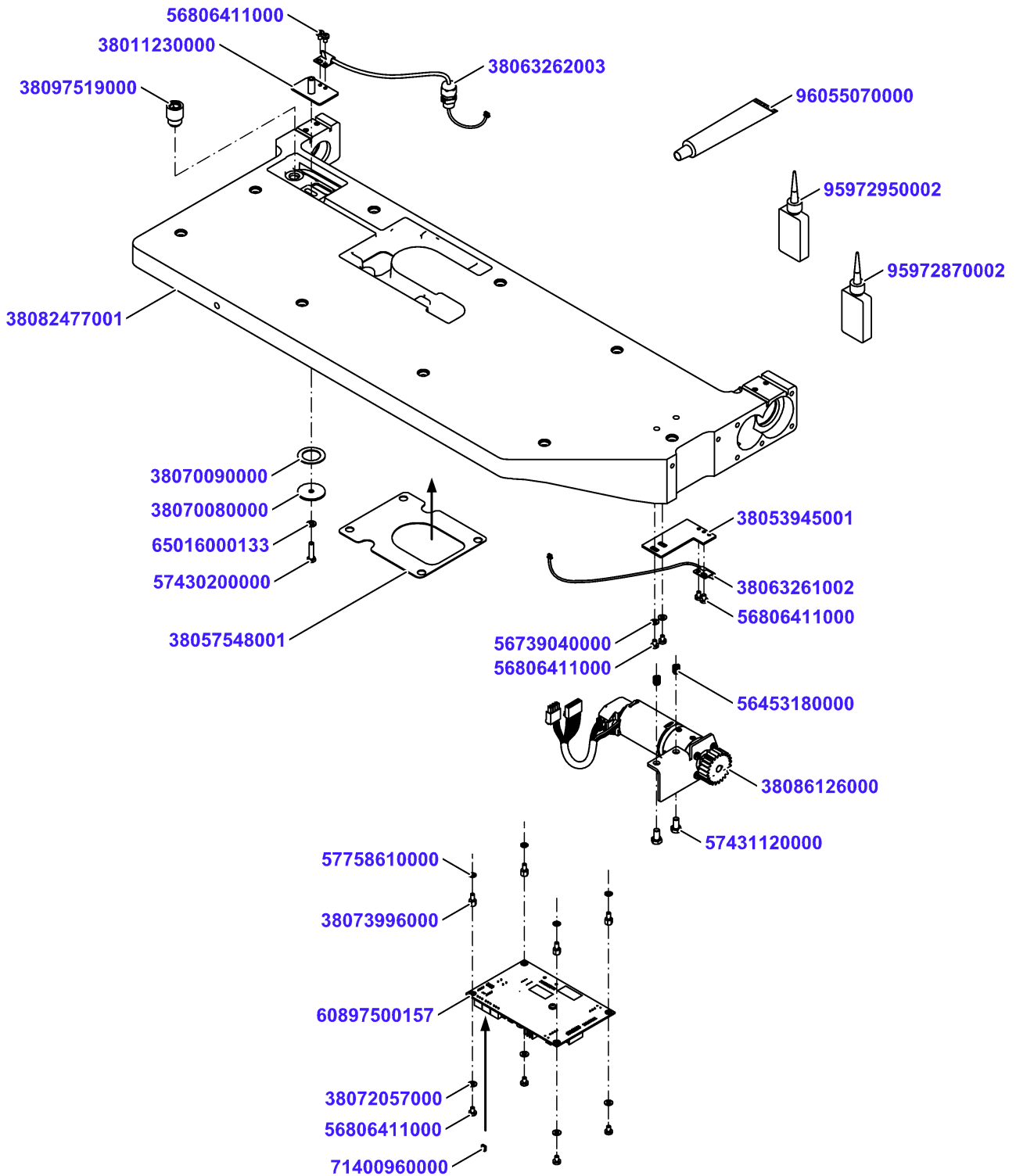
Carriage 600 cpl.



Carriage 600 cpl.

Material No.	Qty	Material description	available for order	Wear part	Recomm. sp. part	Metr. relevance
38082477001	1	Carriage 600 cast machined	✓			
56453130000	9	Thread insert M5x7,5-A2	✓			
56366420002	1	Self-Aligning Ball Bearing 2202	✓			
57778700000	1	Retaining ring DIN472-35x1,5	✓			
50003410000	1	Wiper ring 30x20x7	✓			
38104587001	1	Feedspindle 721xTR20X12 ass.	✓			
50003410000	1	Wiper ring 30x20x7	✓			
56368320002	1	Angular bearing double-row 15x35x15,9	✓			
57778700000	1	Retaining ring DIN472-35x1,5	✓			
38074013000	1	Shim ring DIN988-25x35x0,1	✓			
38103484000	1	Gear Wheel	✓			
96055070000	0,001	Grease PARALIQ GA 343	✓			
38105347000	1	Parallel key DIN6885-A 5x3x14	✓			
60540260801	1	Washer	✓			
57630530000	1	Countersunk screw DIN963 M5x12-A2-70	✓			
95972950002	0,001	Loctite 243 50 ml	✓			
60540261000	1	bolt	✓			
38078241000	1	Gear Wheel	✓			
56360600000	2	Grooved ball bearing DIN625 10x26x8	✓			
57773750000	1	Retaining ring DIN471-10x1	✓			
38057735002	1	Guide Rail 600er	✓			
57630420000	4	Countersunk screw DIN963 M4x8-A2-70	✓			
71004520000	1	Flat Cabel Holder 3484-1000	✓			
38053948002	1	Flange	✓			
38060163002	1	Sealing	✓		✓	
57629520000	5	Countersunk screw DIN963 M5x10-A2-70	✓			
38061585002	1	sealing	✓		✓	
60540268301	1	guide shaft	✓			
38139814000	1	Screw DIN963 M6x12-A2 - Precote 80-8	✓		✓	
38100136001	1	Flat Seal Carriage Plate 600	✓		✓	
38057723003	1	Cover 378x119,1x2	✓			
38057740001	1	Seal long	✓		✓	
56972480000	11	Mushroom head screw M4x8-A2-70 Tuflok	✓			

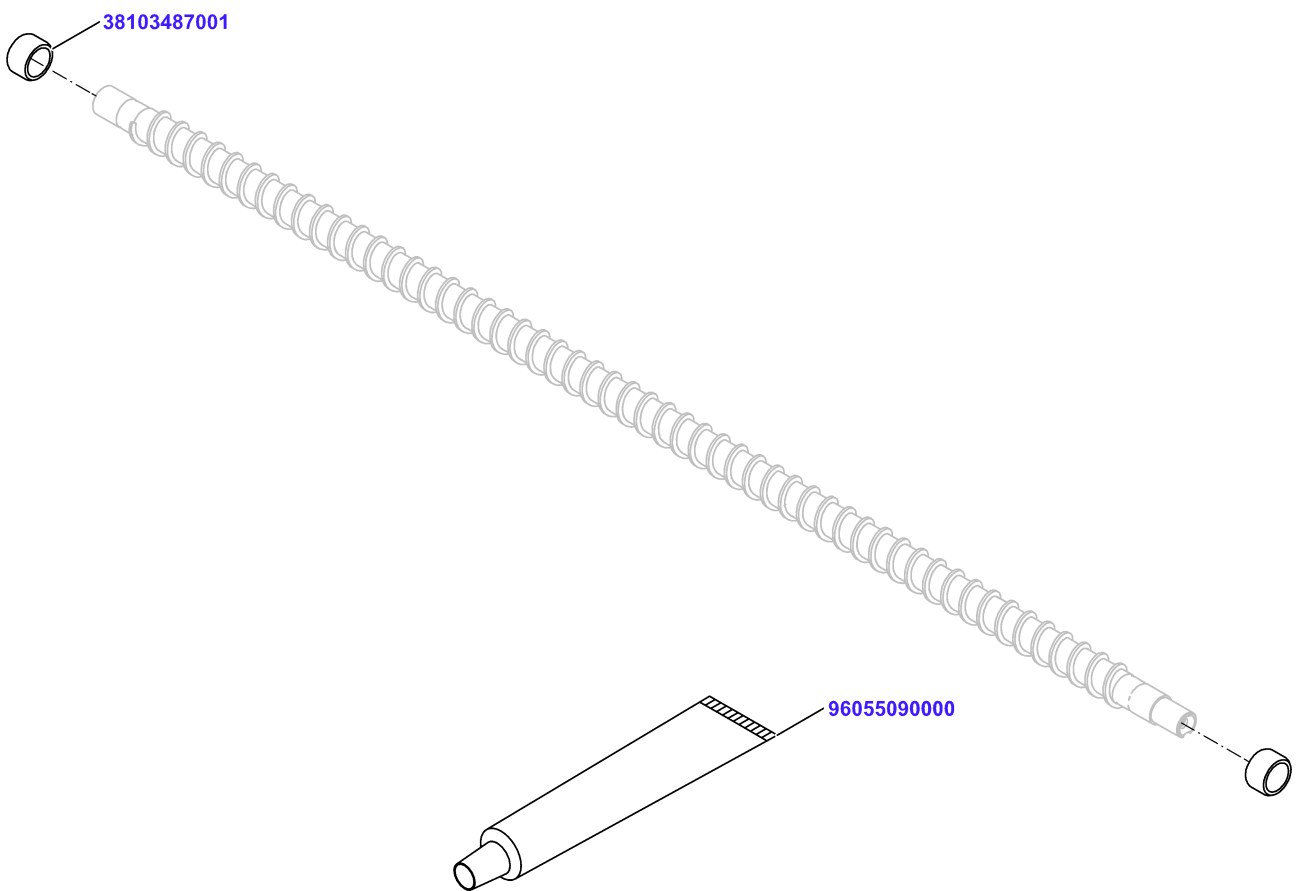
Carriage 600 cpl.



Carriage 600 cpl.



Material No.	Qty	Material description	available for order	Wear part	Recomm. sp. part	Metr. relevance
38082477001	1	Carriage 600 cast machined	✓			
56453180000	2	Threaded insert M6x9	✓			
96055070000	0,001	Grease PARALIQ GA 343	✓			
95972950002	0,001	Loctite 243 50 ml	✓			
38053945001	1	Board	✓			
38063261002	1	Sensor product feeding 1 VSI	✓			
56806411000	4	Oval-head screw ISO14583 M4x6-A2-70-T20	✓			
56739040000	2	Washer DIN125-A 4.3-A2-70	✓			
38011230000	1	Board cpl	✓			
38063262003	1	Sensor product feeding 2 VSI	✓			
56806411000	2	Oval-head screw ISO14583 M4x6-A2-70-T20	✓			
38070080000	1	Washer	✓			
38070090000	1	Sealing	✓		✓	
57430200000	1	Hexagon screw DIN933 M5x20 A2-70	✓			
65016000133	1	Washer 5-PA	✓			
38097519000	1	Sleeve 18 x 10 x 24.25	✓			
95972870002	0,001	Loctite 638	✓			
38086126000	1	Motor Product Feeding BG42x15 cpl	✓			
57431120000	2	Hexagon screw DIN933 M6x12 A2-70	✓			
60897500157	1	PCBAP MC 3ph 2ch lv bus	✓			
71400960000	1	Short Circuit Bracket 3131 731000406	✓		✓	
57758610000	4	Toothed washer DIN6797-A 4,3-Fst	✓			
38073996000	4	Distance bolt SW7x6 M4-M4 In-Out	✓			
56806411000	4	Oval-head screw ISO14583 M4x6-A2-70-T20	✓			
38072057000	4	Washer DIN125-A-4-PA6	✓			
38057548001	1	Seal	✓		✓	

Feedspindle 721xTR20X12 ass.

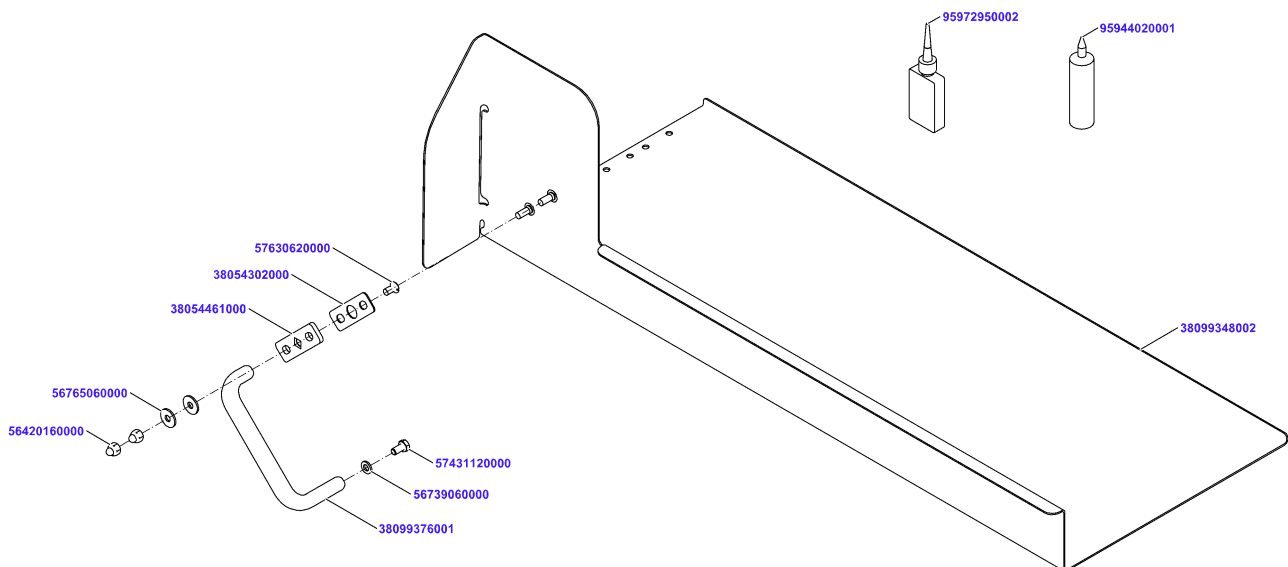


Feedspindle 721xTR20X12 ass.

Material No.	Qty	Material description
38103487001	2	Ring 12x20x15H7
96055090000	0,002	Assembly-paste Rivolta F.L.A. 100 ml

available for order	Wear part	Recomm. sp. part	Metr. relevance
			
			

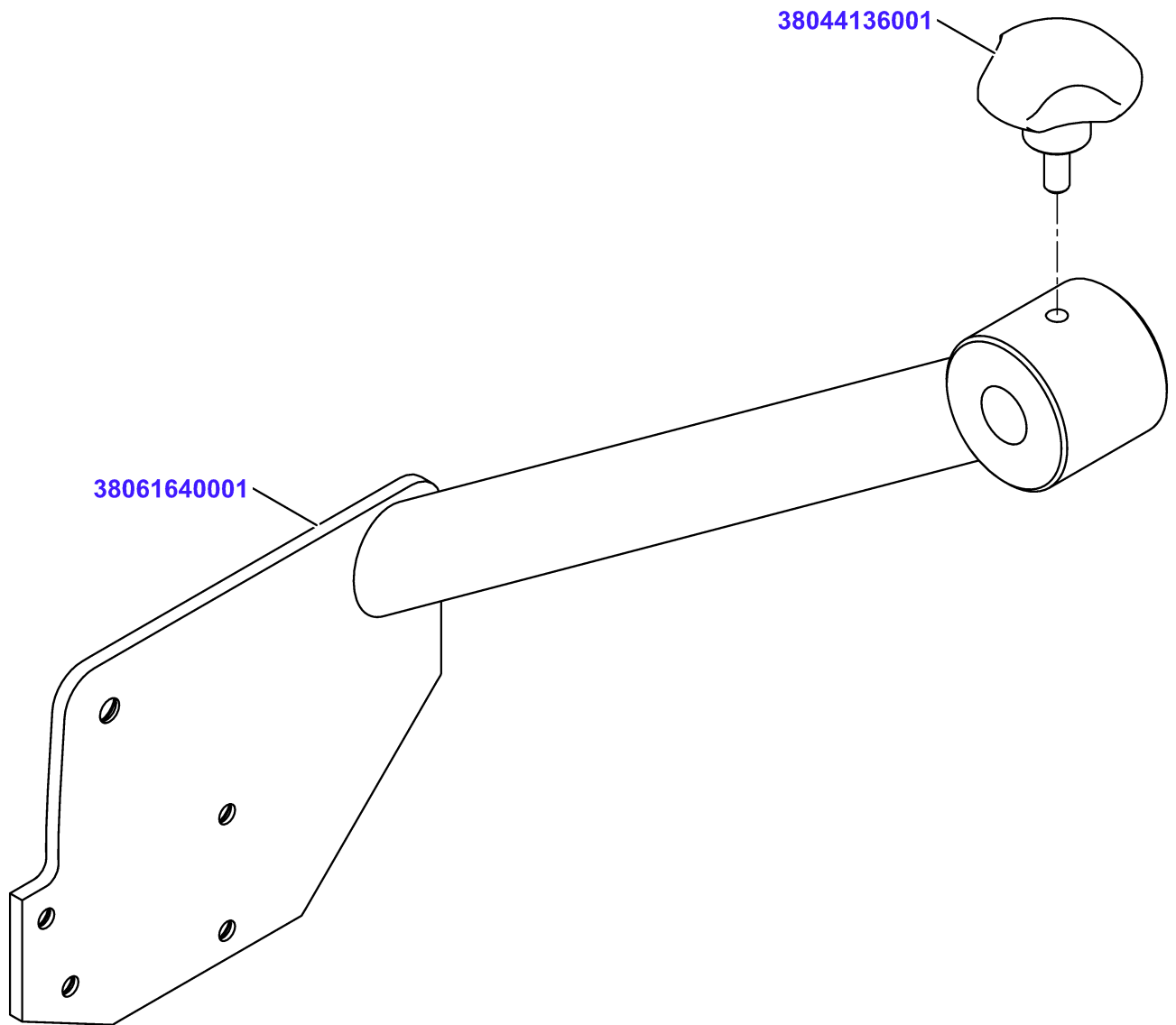
Carriage Plate Template preass



Carriage Plate Template press

Material No.	Qty	Material description	available for order	Wear part	Recomm. sp. part	Metr. relevance
38099348002	1	Carriage Plate welded	✓			
38099376001	1	Handle	✓			
38054461000	1	Plate	✓			
38054302000	1	Gasket	✓		✓	
95944020001	10	Silicone Rubber Elastosil E41 90ml	✓			
57630620000	1	Countersunk screw DIN963 M6x12-A2-70	✓			
95972950002	0,001	Loctite 243 50 ml	✓			
56420160000	2	Cap nut DIN986-M6-A2	✓			
56765060000	2	Washer DIN9021-6-A2	✓			
57431120000	1	Hexagon screw DIN933 M6x12 A2-70	✓			
56739060000	1	Washer DIN125-A-6-A2	✓			

Product Supporter top NSF cpl

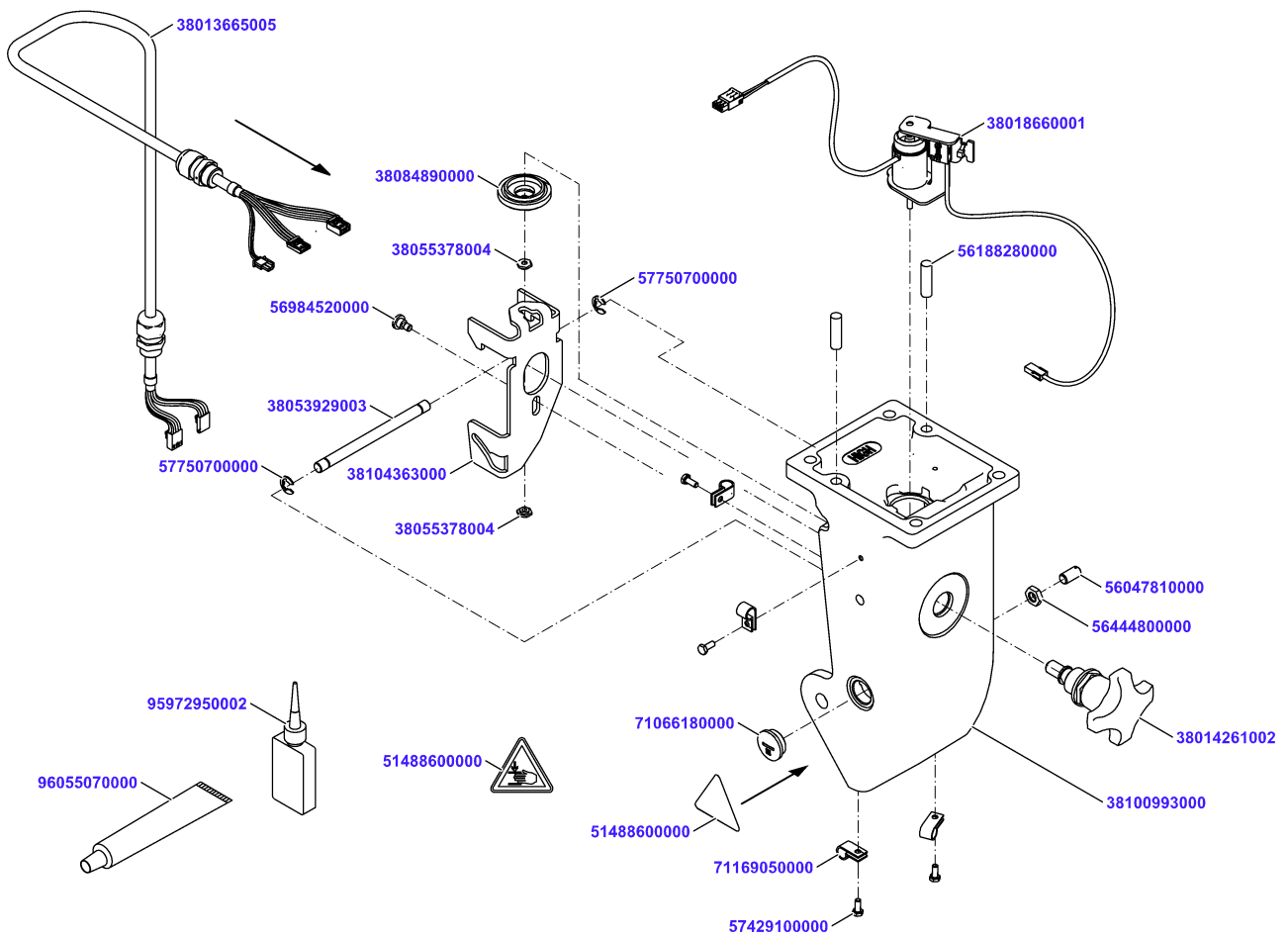


Product Supporter top NSF cpl

Material No.	Qty	Material description
38061640001	1	Mounting welded
38044136001	1	Handle with screw M6 x 14,75

available for order
Wear part
Recomm. sp. part
Metr. relevance

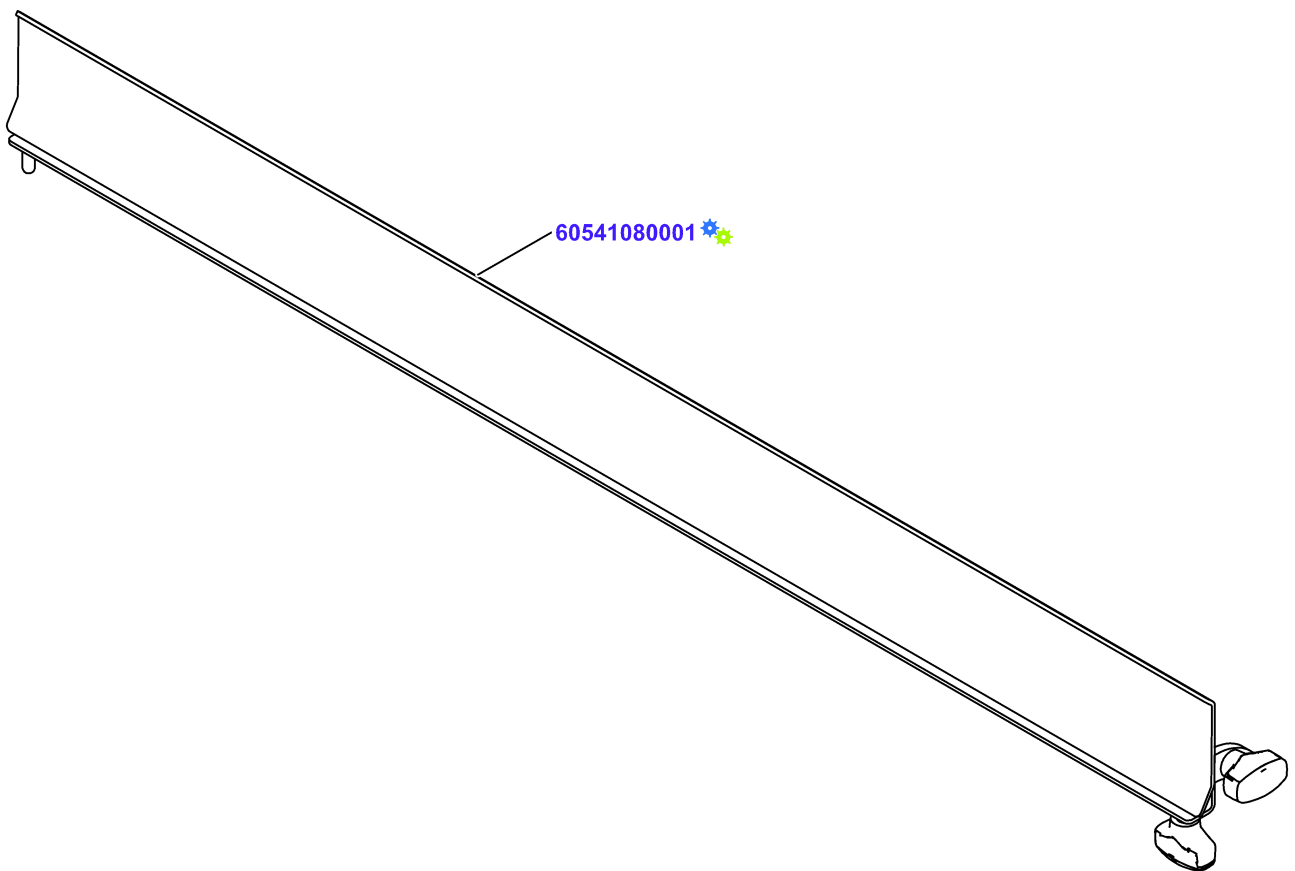
Carriage Foot high cpl.



Carriage Foot high cpl.

Material No.	Qty	Material description	available for order	Wear part	Recomm. sp. part	Metr. relevance
38100993000	1	Carriage Foot high hygienic mach	✓			
56188280000	2	Cylindrical pin EN 22338-8m6x28-A2	✓			
56047810000	1	Set screw DIN551 M8x16-PA 66	✓			
56444800000	1	Hexagon nut DIN439-M8-A2	✓			
38018660001	1	Magnet preass	✓	✓		
38084890000	1	Cap preass	✓			
38055378004	2	Hexagon nut	✓			
95972950002	0,001	Loctite 243 50 ml	✓			
38104363000	1	Interlock	✓			
96055070000	0,001	Grease PARALIQ GA 343	✓			
56984520000	1	Pan head screw DIN923 M5x4A2-70	✓			
71066180000	1	Blind plug BLK- M20	✓			
38014261002	1	Handle preass.	✓			
38053929003	1	Stop Bolt	✓			
57750700000	2	Retaining washer DIN6799-7	✓			
71169050000	4	Cable Clamp nylon 7,4mm NK-5N	✓			
38013665005	1	Ka Rd 12x24AWG 0,87m	✓			
57429100000	4	Hexagon screw DIN933 M4x10 A2-70	✓			
51488600000	1	Warning Plate Hand Injury 7.29K	✓			

metal sheet insert cpl mach



metal sheet insert cpl mach

Material No.	Qty	Material description
60541080001	1	Metal Sheet Insert cpl.

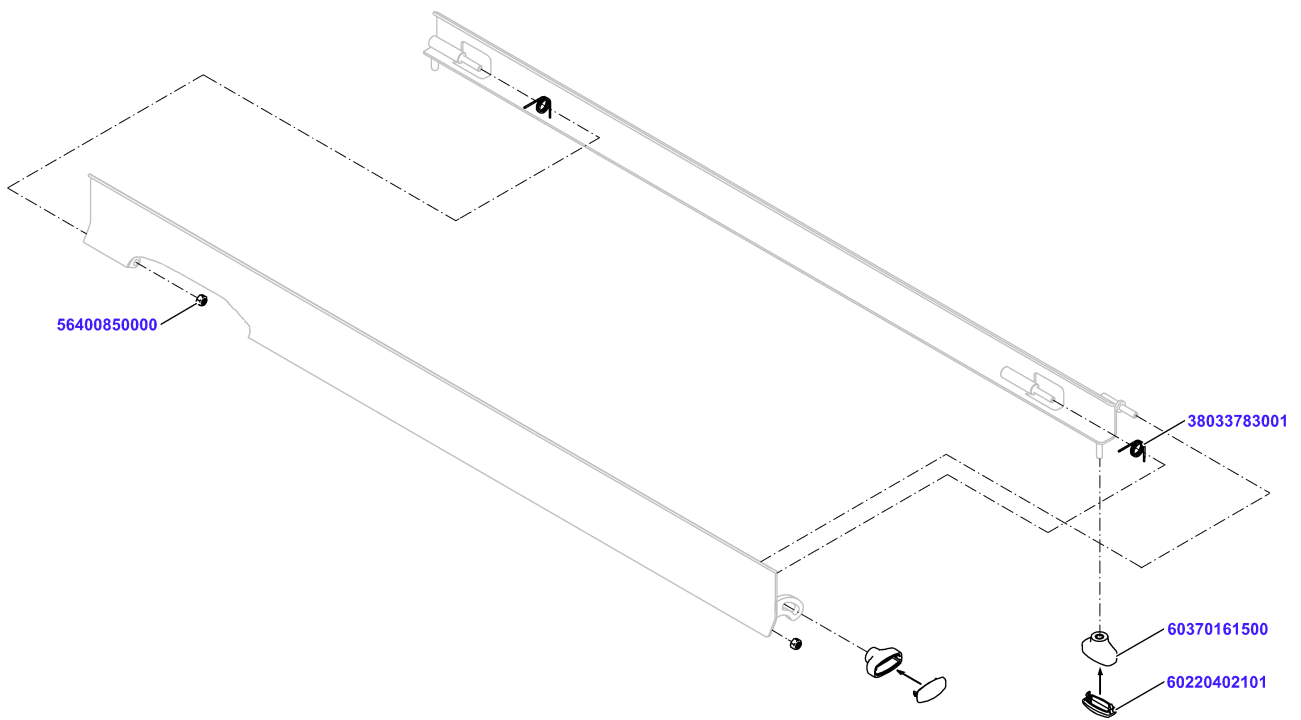
available for order

Wear part

Recomm. sp. part





Metr. relevance

Metal Sheet Insert cpl.

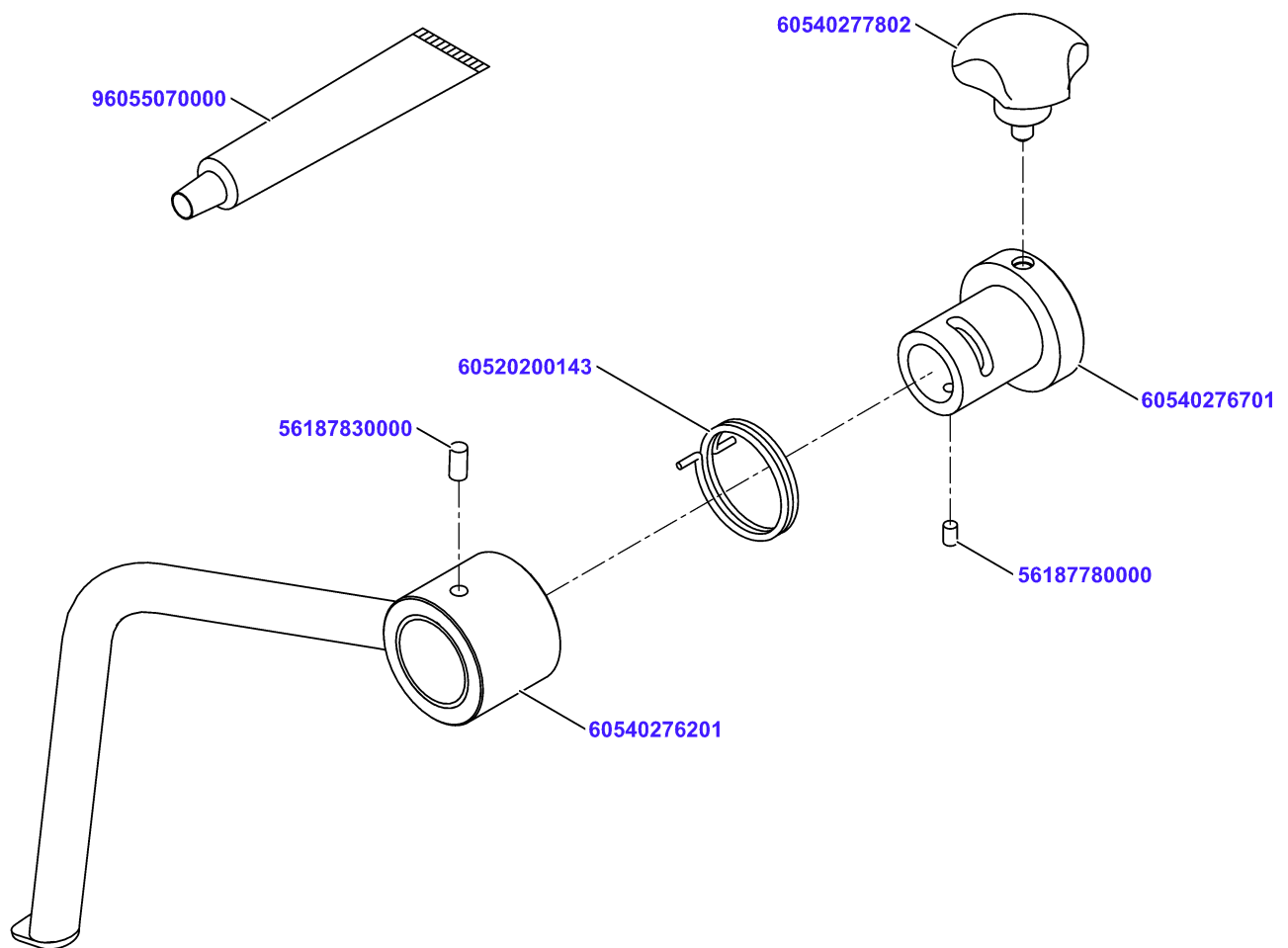


Metal Sheet Insert cpl.

Material No.	Qty	Material description
56400850000	2	Lock nut DIN985-M5-A2
60370161500	2	Clamp handle small M 5
60220402101	2	cover
38033783001	2	Torsion Spring 13,4x5,1x1,2x15/20

available for order	Wear part	Recomm. sp. part	Metr. relevance
			
			
			
			

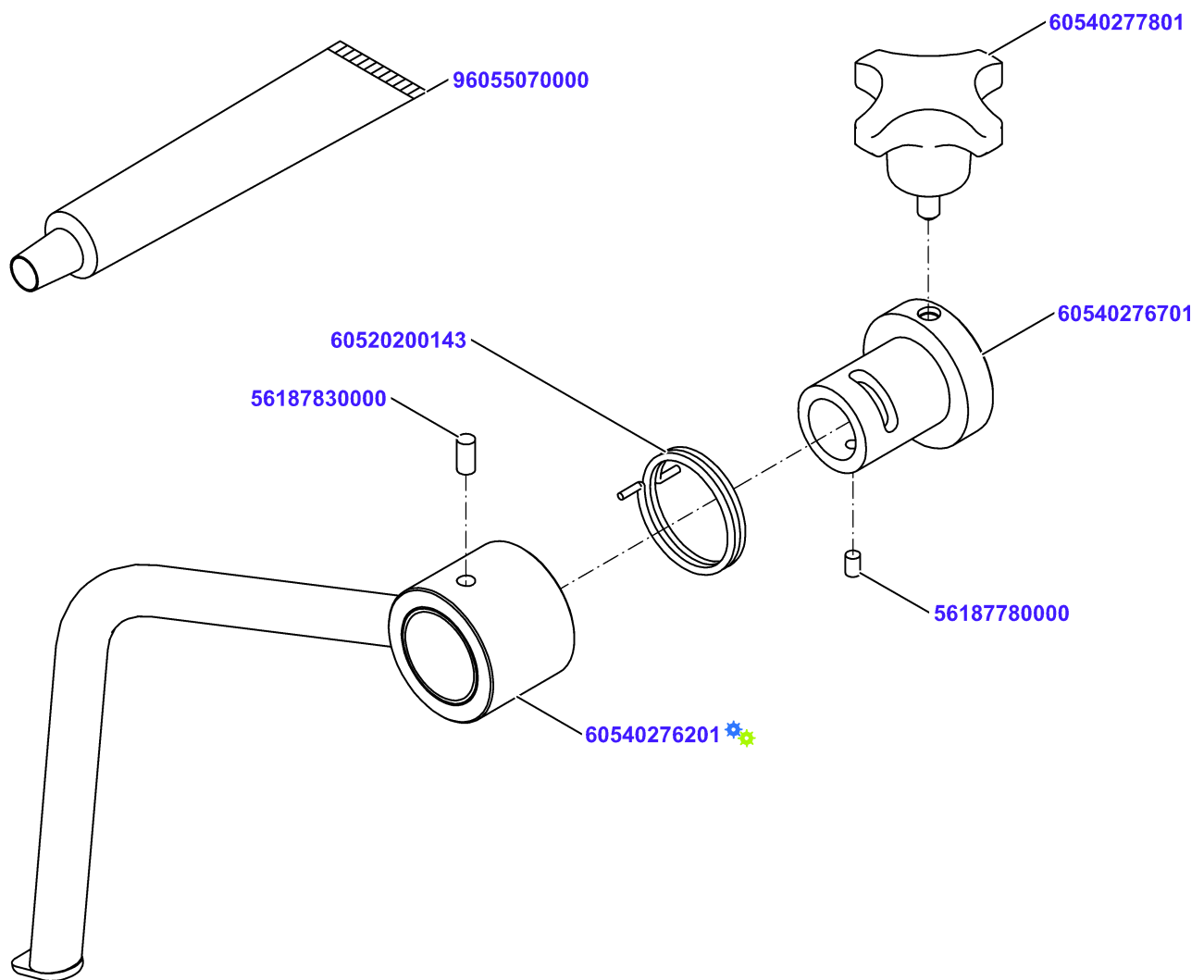
Holding Down Device ass.









Holding Down Device ass.

Material No.	Qty	Material description	available for order	Wear part	Recomm. sp. part	Metr. relevance
60540276201	1	Holding Down Device preass.				
56187830000	1	Cylindrical pin EN 22338-5m6x10-A2				
60540276701	1	hub				
60540277802	1	Handle with screw M6 x 13,55				
56187780000	1	Cylindrical pin EN 22338-4m6x6-A2				
60520200143	1	torsion spring				
96055070000	0,005	Grease PARALIQ GA 343				

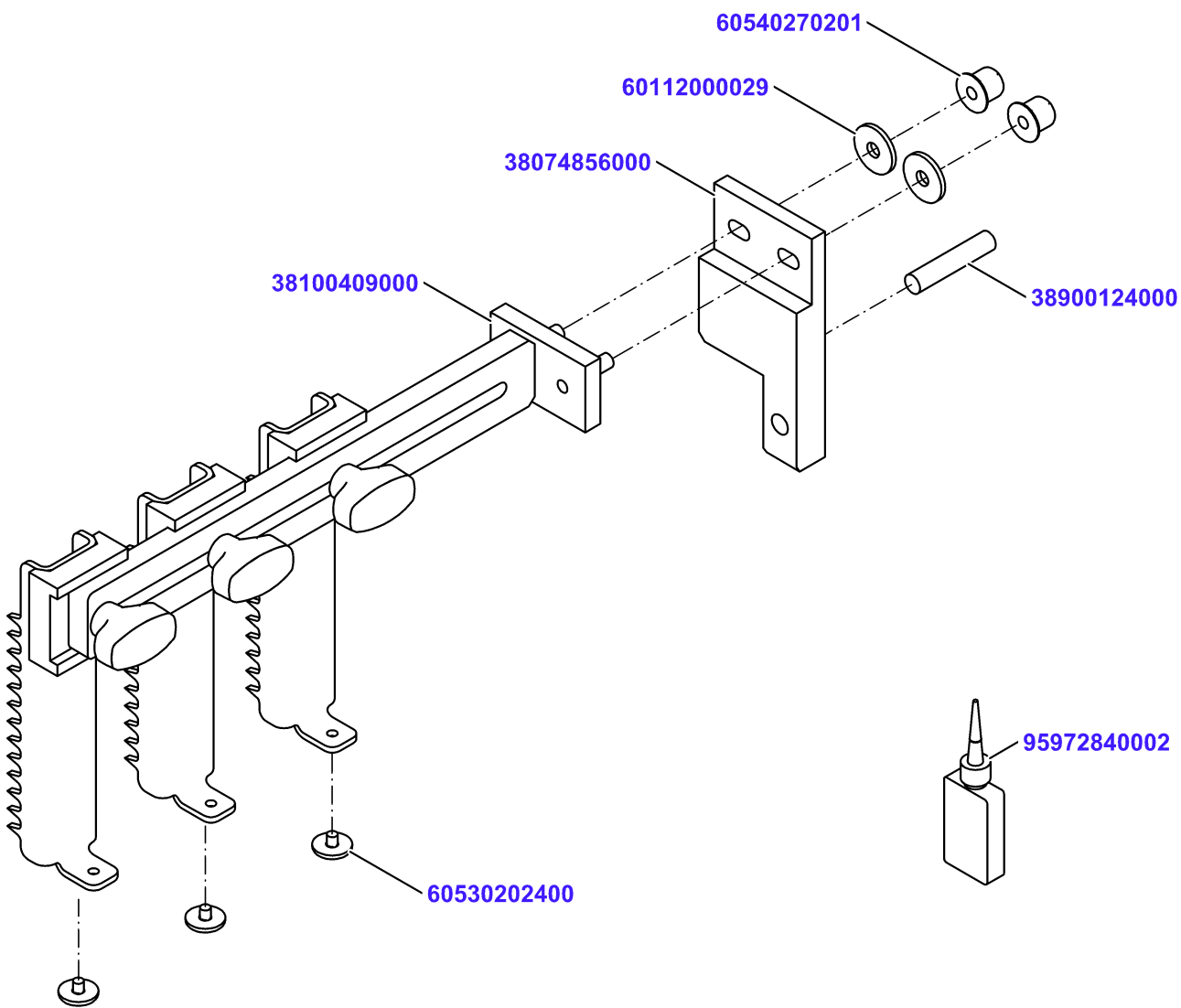
Holding Down Device ass.



Holding Down Device ass.

Material No.	Qty	Material description	available for order	Wear part	Recomm. sp. part	Metr. relevance
60540276201	1	Holding Down Device preass.				
56187830000	1	Cylindrical pin EN 22338-5m6x10-A2				
60540276701	1	hub				
56187780000	1	Cylindrical pin EN 22338-4m6x6-A2				
60520200143	1	torsion spring				
96055070000	0,005	Grease PARALIQ GA 343				

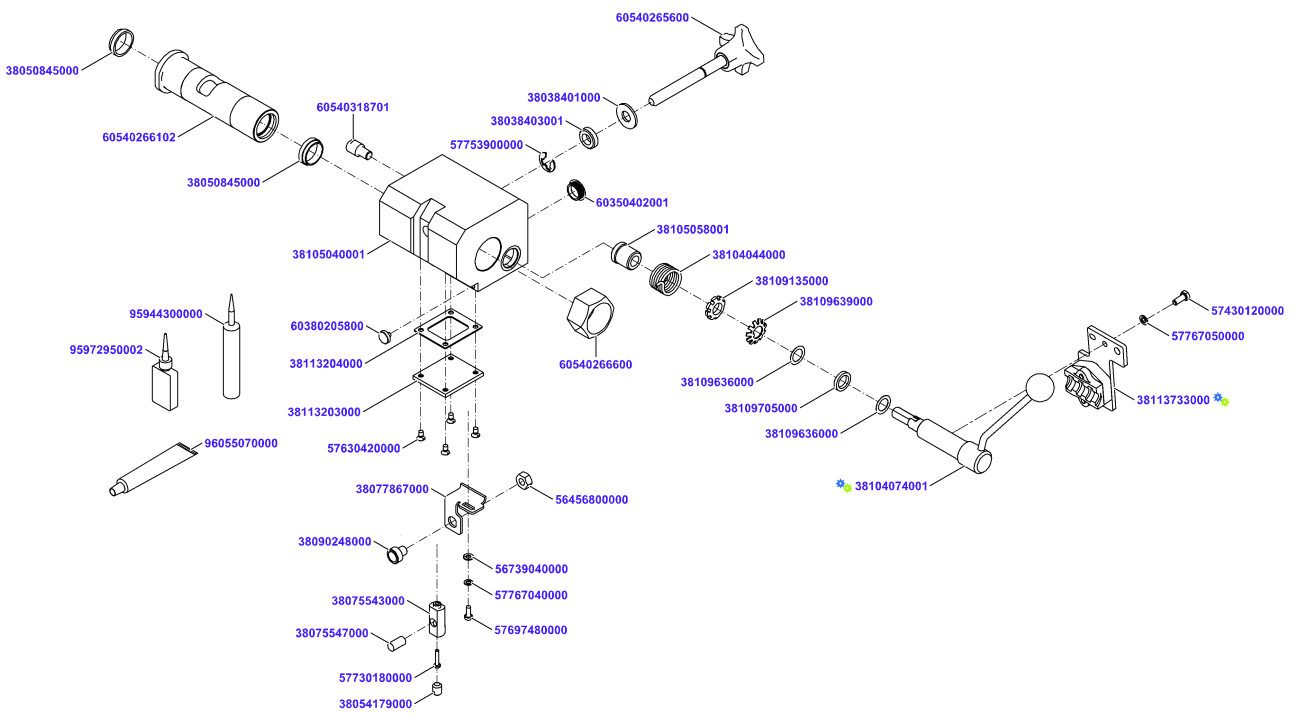
Product Holder cpl. Carriage guide ruler



Product Holder cpl. Carriage guide ruler

Material No.	Qty	Material description	available for order	Wear part	Recomm. sp. part	Metr. relevance
38100409000	1	Product Holder with guide feeder	✓			
60530202400	3	slider	✓			
38074856000	1	Feeder Adapter	✓			
60112000029	2	Washer	✓			
60540270201	2	Cap nut M6	✓		✓	
38900124000	1	Cylindrical pin EN 22338-8m6x40-A2	✓			
95972840002	0,001	Loctite 648 10ml.	✓			

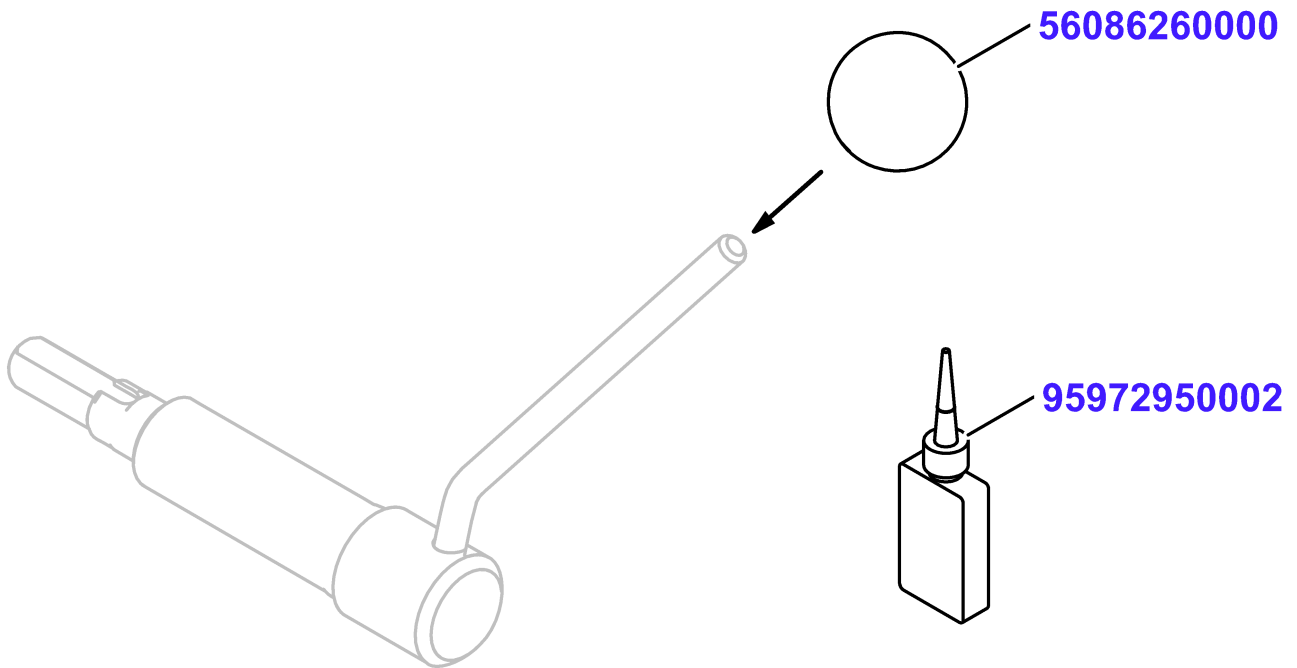
Product Holder Guide NSF cpl



Product Holder Guide NSF cpl

Material No.	Qty	Material description	available for order	Wear part	Recomm. sp. part	Metr. relevance
38105040001	1	Product Holder Guide	✓			
60540265600	1	locking lever mount.	✓			
38038401000	1	washer	✓			
38038403001	1	Bushing 19,1x10,7x5	✓			
57753900000	1	Retaining washer DIN6799-9	✓			
60540266102	1	Bushing complete	✓			
38050845000	2	Deflector Ring	✓			
60540266600	1	hex nut	✓			
38109705000	1	Shaft seal 12x18x3	✓			
38109636000	1	Shim ring DIN988-12x18x0,2	✓			
38104074001	1	Bolt NSF cpl	✓			
38109636000	1	Shim ring DIN988-12x18x0,2	✓			
38109639000	1	Safety plate DIN5406-MB1	✓			
38109135000	1	Grooved nut M12 x 0.5	✓			
38105058001	1	Bushing 19,5/18x10,2x21	✓			
38104044000	1	Torsion spring left	✓			
96055070000	0,005	Grease PARALIQ GA 343	✓			
38113733000	1	Holder preassembled	✓			
57767050000	1	Spring lock washer DIN128-A5-FSt	✓			
57430120000	1	Hexagon screw DIN933 M5x12 A2-70	✓			
60350402001	1	Protective plug	✓			
95944300000	0,005	Kitchen silicone ELASTO4710	✓			
38113203000	1	cover	✓			
38113204000	1	Seal 47x40x1	✓			
57630420000	4	Countersunk screw DIN963 M4x8-A2-70	✓			
38077867000	1	Magnet Base	✓			
38090248000	1	Magnet Vacodym 370 wz round 10x4 preass	✓			
56456800000	1	Hexagon nut DIN934-M8-A2	✓			
57697480000	1	Cylinder screw DIN84 M4x10-A2-70	✓			
56739040000	1	Washer DIN125-A 4.3-A2-70	✓			
57767040000	1	Spring lock washer DIN128-A4-FSt	✓			
38075543000	1	Mounting Pin	✓			
57730180000	1	Oval-head screw ISO14583 M3x16-A2-70-T10	✓			
38075547000	1	Parallel Pin 8x15	✓			
38054179000	1	Set screw DIN438 M8x10-A2-70	✓			
60380205800	1	SLIDE PIN	✓			
60540318701	1	stop pin	✓			
95972950002	0,001	Loctite 243 50 ml	✓			

Bolt NSF cpl

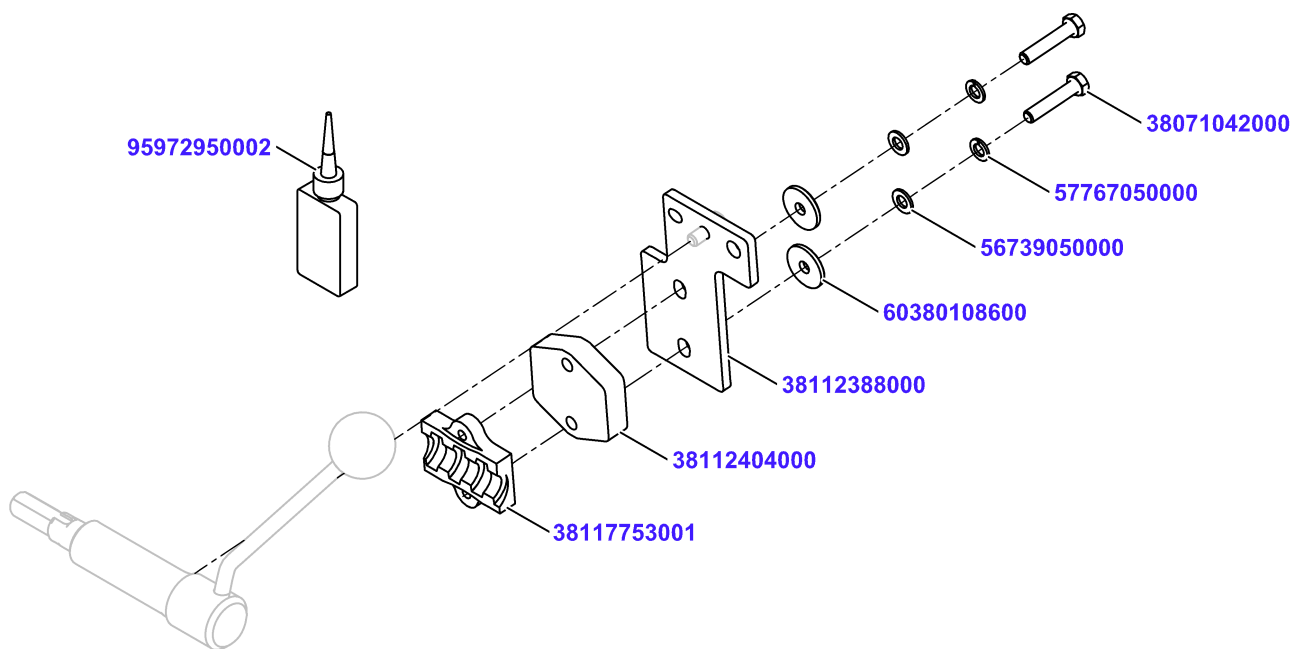


Bolt NSF cpl

Material No.	Qty	Material description
56086260000	1	Ball knob DIN319 M6x25 I
95972950002	0,001	Loctite 243 50 ml

available for order
Wear part
Recomm. sp. part
Metr. relevance

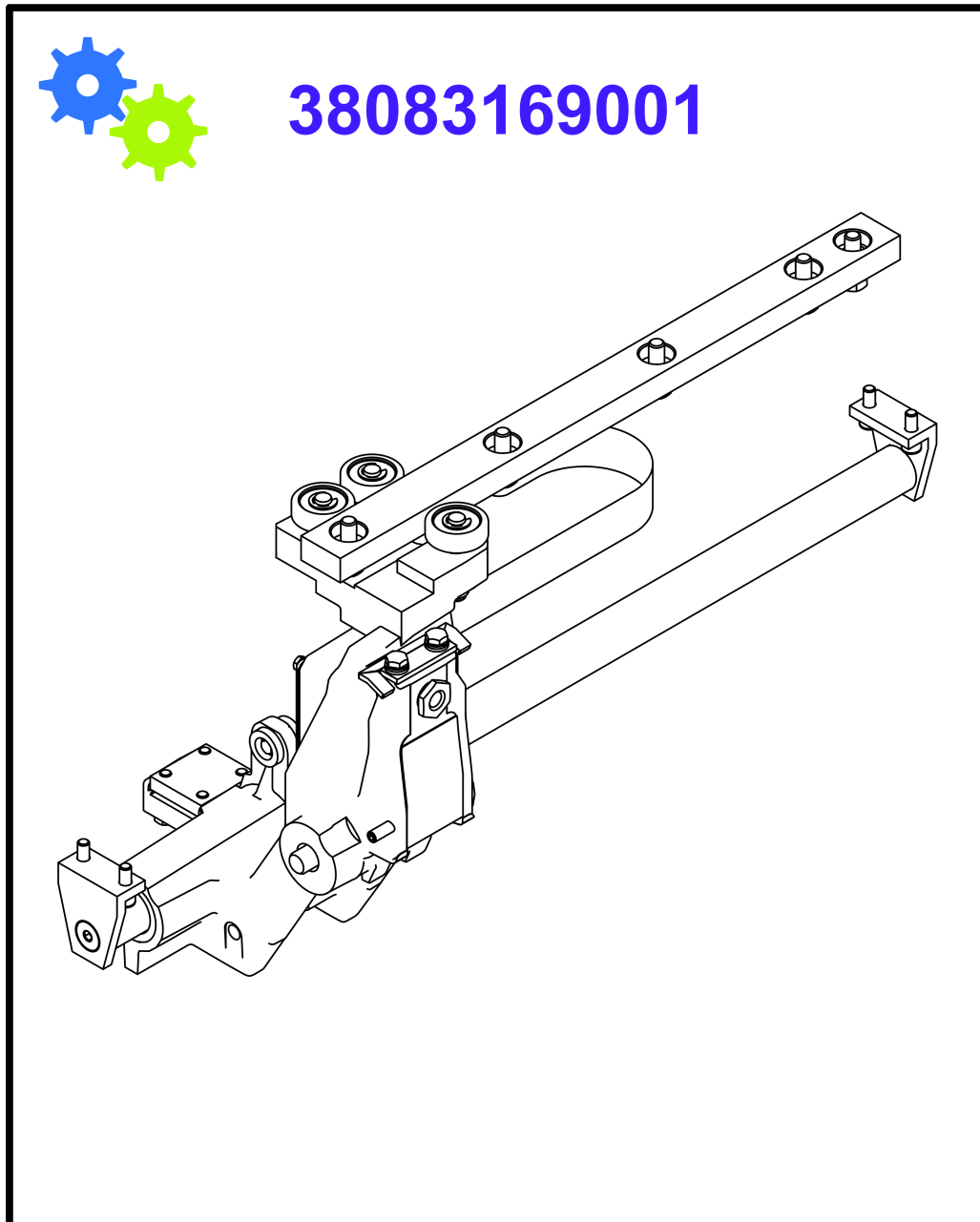
Holder preassembled



Holder preassembled


Material No.	Qty	Material description	available for order	Wear part	Recomm. sp. part	Metr. relevance
38112388000	1	Holder				
38112404000	1	Spacer plate 40x40x10				
38117753001	1	Nut Plate TR20X12P4				
38071042000	2	Hexagon screw DIN933 M5x25 A2-70				
60380108600	2	Washer				
56739050000	2	Washer DIN125-A-5-A2				
57767050000	2	Spring lock washer DIN128-A5-FSt				
95972950002	0,001	Loctite 243 50 ml				

Carriage guide

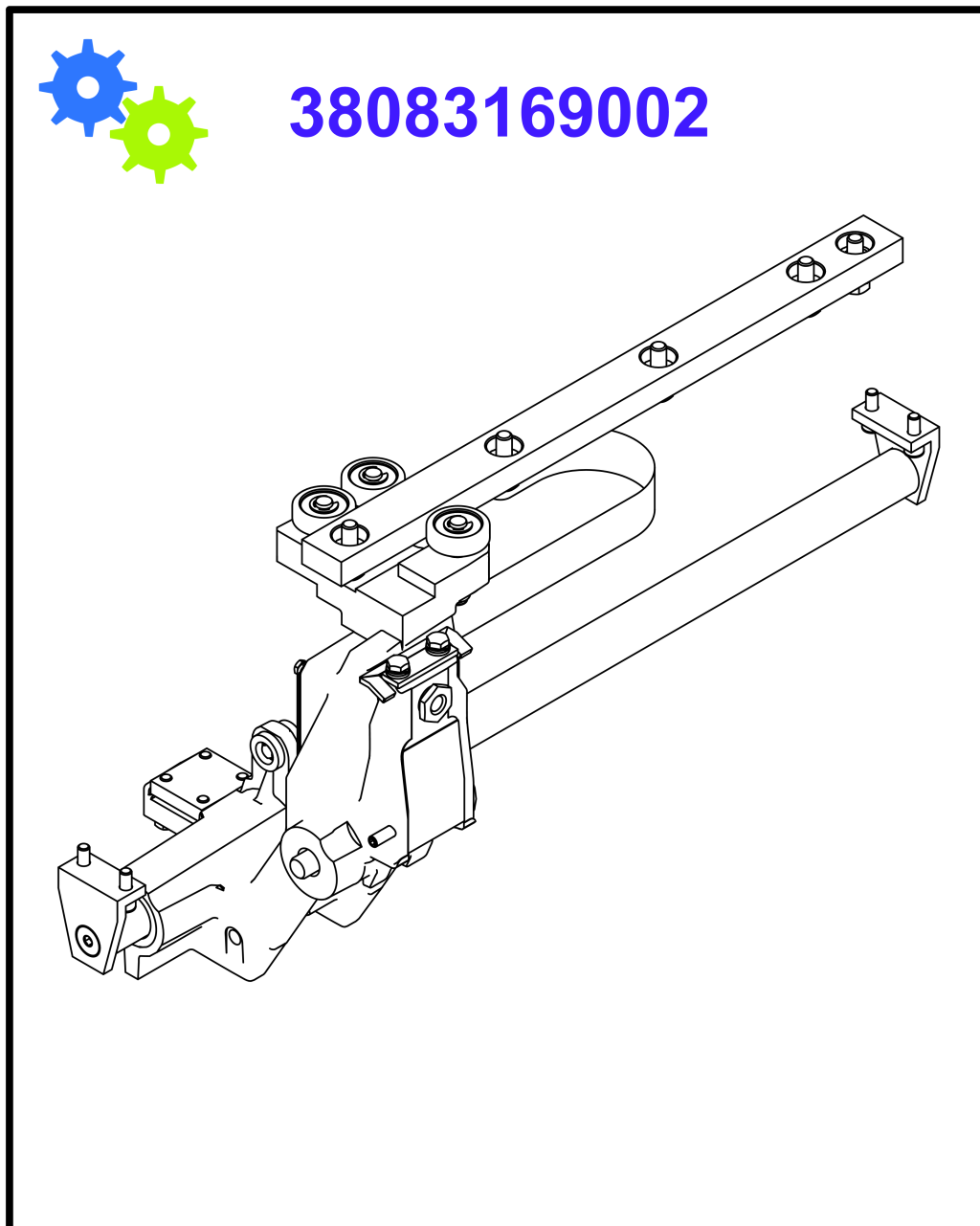


Carriage guide

Material No.	Qty	Material description
38083169001	1	Carriage guide cpl.


	available for order	Wear part	Recomm. sp. part	Metr. relevance
---	---------------------	-----------	------------------	-----------------

Carriage guide

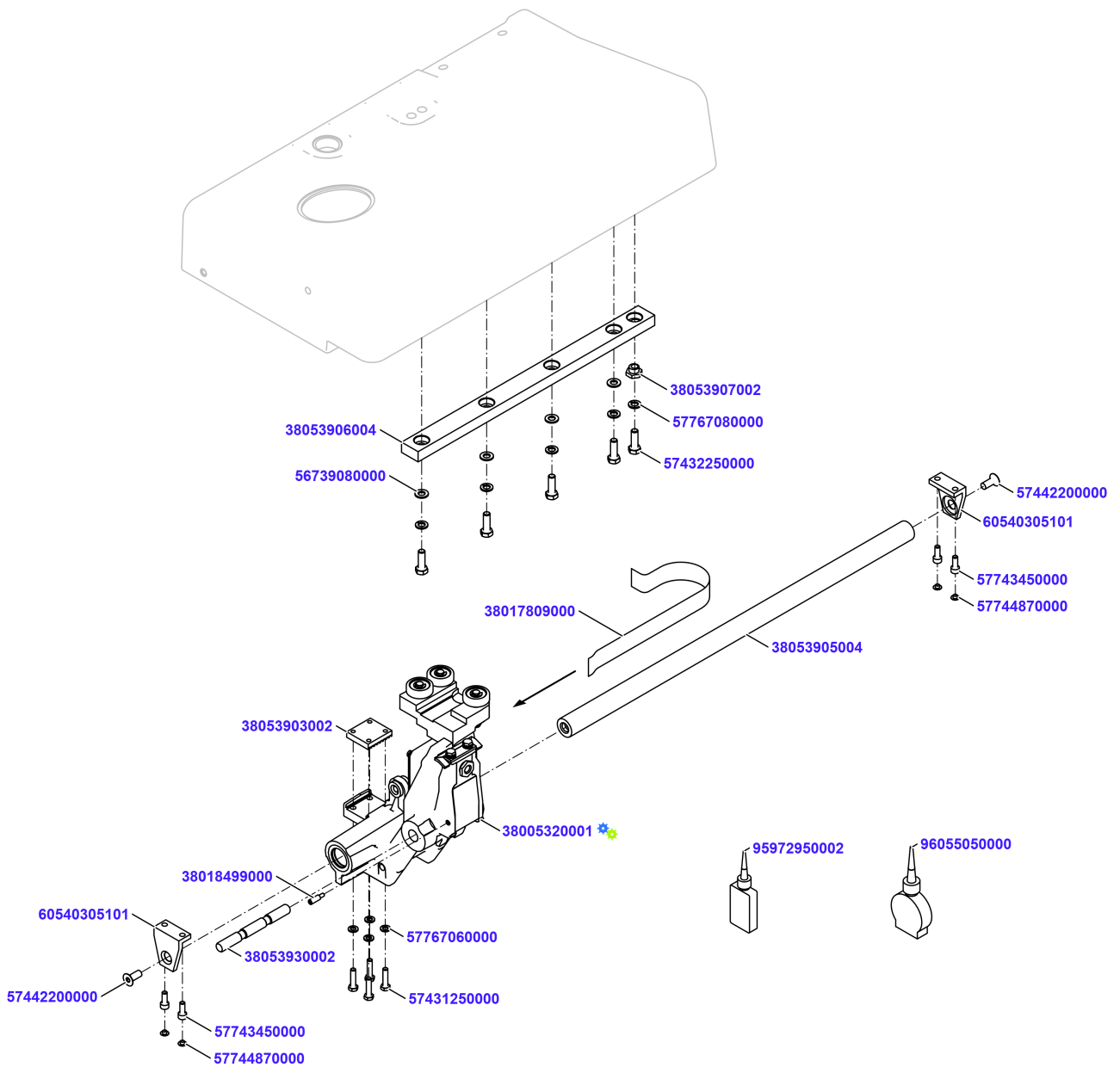


Carriage guide

Material No.	Qty	Material description
38083169002	1	Carriage Guide cpl.

	available for order	Wear part	Recomm. sp. part	Metr. relevance
---	---------------------	-----------	------------------	-----------------

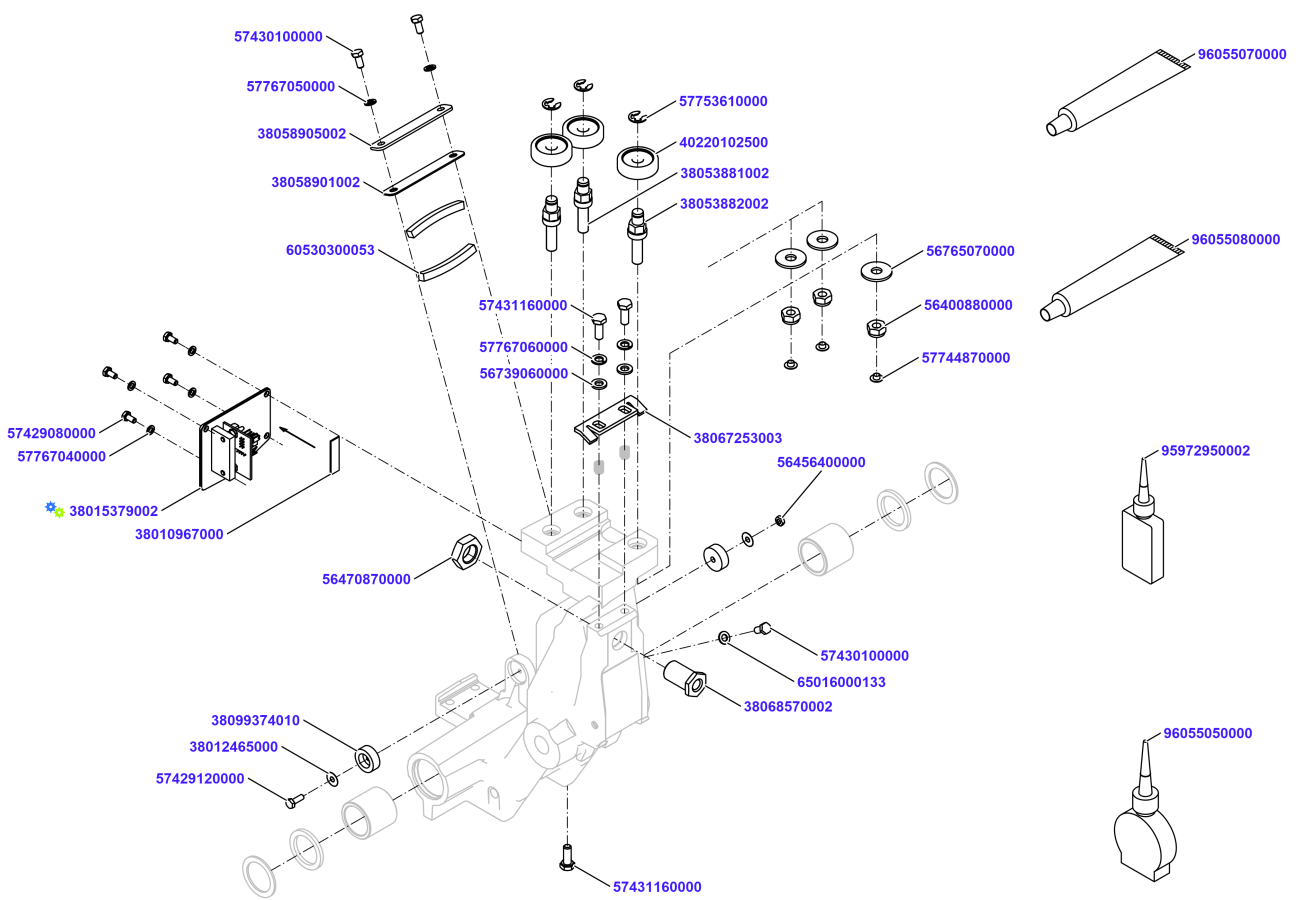
Carriage guide cpl.



Carriage guide cpl.

Material No.	Qty	Material description	available for order	Wear part	Recomm. sp. part	Metr. relevance
38053906004	1	Guide rail 28 x 15 x 400	✓			
57432250000	4	Hexagon screw DIN933 M8x25 A2-70	✓			
56739080000	4	Washer DIN125-A-8-A2	✓			
57767080000	4	Spring lock washer DIN128-A8-A2	✓			
38053907002	1	eccentric	✓			
57432250000	1	Hexagon screw DIN933 M8x25 A2-70	✓			
57767080000	1	Spring lock washer DIN128-A8-A2	✓			
38005320001	1	Carriage Guide preass	✓		✓	
38053905004	1	Carriage Shaft 25 x 579,5	✓			
60540305101	2	bearing block	✓			
57442200000	2	Countersunk screw DIN7991 M8x20-A2-70	✓			
95972950002	0,001	Loctite 243 50 ml	✓			
57743450000	4	Cylinder screw DIN912 M6x16-A2-70	✓			
57744870000	4	Protective plug 10x5,2x3,1-PE	✓		✓	
96055050000	0,001	Lubricating Oil F.L.5 Oil UH1	✓			
38053903002	1	Clamping Plug	✓			
57431250000	4	Hexagon screw DIN933 M6x25 A2-70	✓			
57767060000	4	Spring lock washer DIN128-A6-FSt	✓			
38053930002	1	Shaft 12f7 x 115	✓			
38018499000	1	Thread Bolt	✓			
38017809000	1	Flexcable FFC 20pol 342mm	✓	✓	✓	

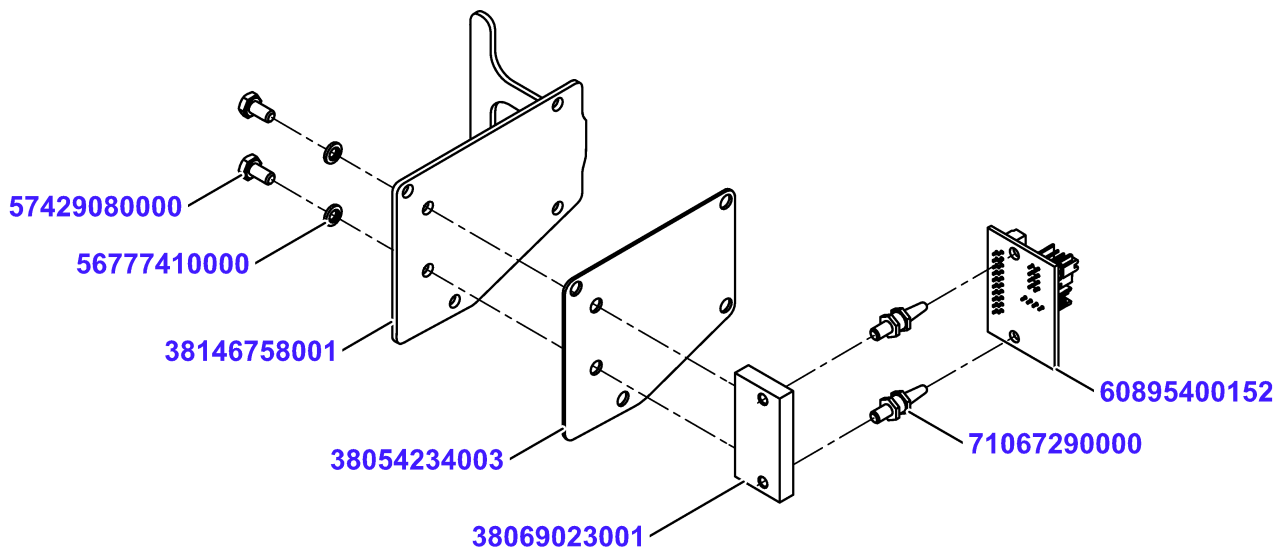
Carriage Guide press



Carriage Guide preass

Material No.	Qty	Material description	available for order	Wear part	Recomm. sp. part	Metr. relevance
38053881002	2	Bolt 14f8 x 48	✓			
38053882002	1	Eccentric Bolt 15f8 x 48	✓			
56765070000	3	Washer DIN 9021-8-A2	✓			
56400880000	3	Lock nut DIN985-M8-A2	✓			
95972950002	0,001	Loctite 243 50 ml	✓			
57744870000	3	Protective plug 10x5,2x3,1-PE	✓		✓	
40220102500	3	roller	✓	✓	✓	
96055080000	0,001	Kluebersynth UH1 64-62/25kg	✓			
57753610000	3	Retaining washer DIN6799-7	✓			
38015379002	1	Cover preass.	✓			
38010967000	1	Sealing	✓		✓	
57429080000	4	Hexagon screw DIN933 M4x8 A2-70	✓			
57767040000	4	Spring lock washer DIN128-A4-FSt	✓			
38067253003	1	Stop	✓			
57431160000	2	Hexagon screw DIN933 M6x16 A2-70	✓			
56739060000	2	Washer DIN125-A-6-A2	✓			
57767060000	2	Spring lock washer DIN128-A6-FSt	✓			
96055070000	0,001	Grease PARALIQ GA 343	✓			
38068570002	1	Setscrew	✓			
56470870000	1	HEXAGON NUT DIN 439- BM16X1,5- 4	✓			
60530300053	2	lubricating felt	✓			
96055050000	0,001	Lubricating Oil F.L.5 Oil UH1	✓			
38058901002	1	Sealing	✓		✓	
38058905002	1	Cover	✓			
57430100000	3	Hexagon screw DIN933 M5x10 A2-70	✓			
57767050000	2	Spring lock washer DIN128-A5-FSt	✓			
65016000133	1	Washer 5-PA	✓			
38099374010	2	Rubber Buffer	✓			
57429120000	1	Hexagon screw DIN933 M4x12 A-70	✓			
38012465000	1	trust washer	✓			
56456400000	1	Hexagon nut DIN934-M4-A2	✓			
38012465000	1	trust washer	✓			
57431160000	1	Hexagon screw DIN933 M6x16 A2-70	✓			

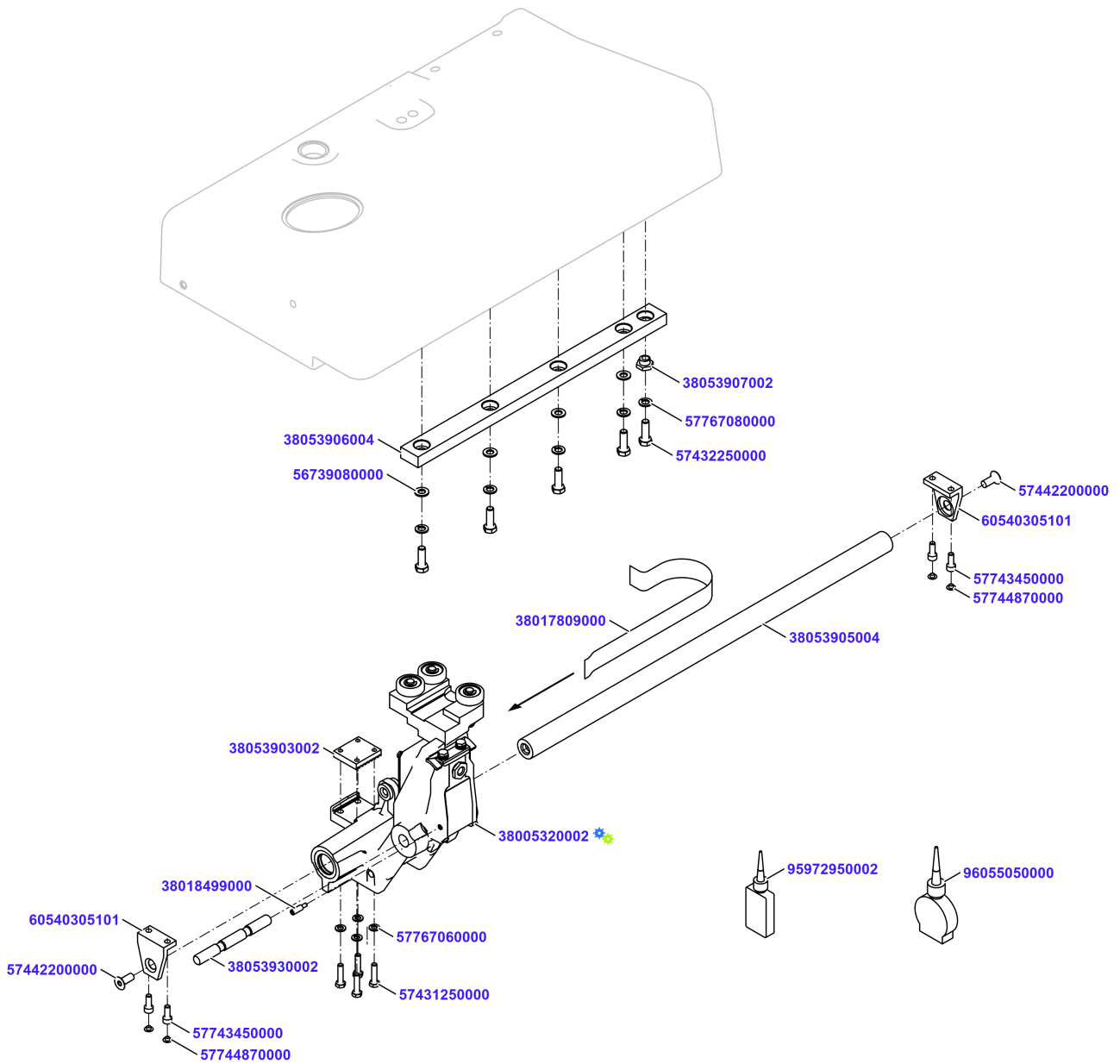
Cover preass.



Cover preass.

Material No.	Qty	Material description	available for order	Wear part	Recomm. sp. part	Metr. relevance
38146758001	1	Cover bracket	✓			
38054234003	1	Sealing	✓		✓	
38069023001	1	Holding Block	✓			
57429080000	2	Hexagon screw DIN933 M4x8 A2-70	✓			
56777410000	2	Screw seal M4	✓		✓	
71067290000	2	Spacer 6.4 LPR 8520-M4	✓			
60895400152	1	PCBA Intermediate Board 1	✓			

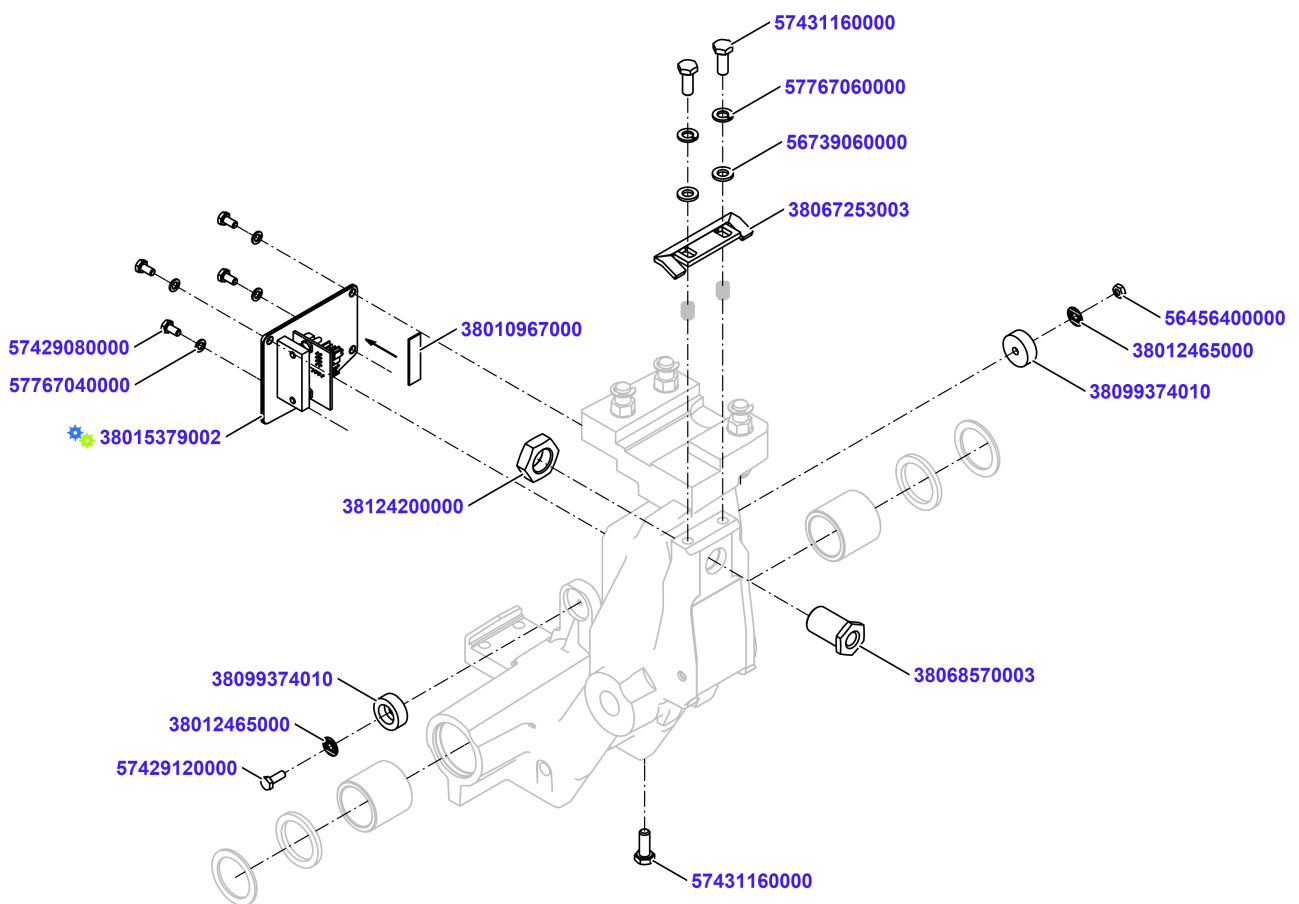
Carriage Guide cpl.



Carriage Guide cpl.

Material No.	Qty	Material description	available for order	Wear part	Recomm. sp. part	Metr. relevance
38053906004	1	Guide rail 28 x 15 x 400	✓			
57432250000	4	Hexagon screw DIN933 M8x25 A2-70	✓			
56739080000	4	Washer DIN125-A-8-A2	✓			
57767080000	4	Spring lock washer DIN128-A8-A2	✓			
38053907002	1	eccentric	✓			
57432250000	1	Hexagon screw DIN933 M8x25 A2-70	✓			
57767080000	1	Spring lock washer DIN128-A8-A2	✓			
38005320002	1	Carriage Guide preass.	✓		✓	
38053905004	1	Carriage Shaft 25 x 579,5	✓			
60540305101	2	bearing block	✓			
57442200000	2	Countersunk screw DIN7991 M8x20-A2-70	✓			
95972950002	0,001	Loctite 243 50 ml	✓			
57743450000	4	Cylinder screw DIN912 M6x16-A2-70	✓			
57744870000	4	Protective plug 10x5,2x3,1-PE	✓		✓	
96055050000	0,001	Lubricating Oil F.L.5 Oil UH1	✓			
38053903002	1	Clamping Plug	✓			
57431250000	4	Hexagon screw DIN933 M6x25 A2-70	✓			
57767060000	4	Spring lock washer DIN128-A6-FSt	✓			
38053930002	1	Shaft 12f7 x 115	✓			
38018499000	1	Thread Bolt	✓			
38017809000	1	Flexcable FFC 20pol 342mm	✓	✓	✓	

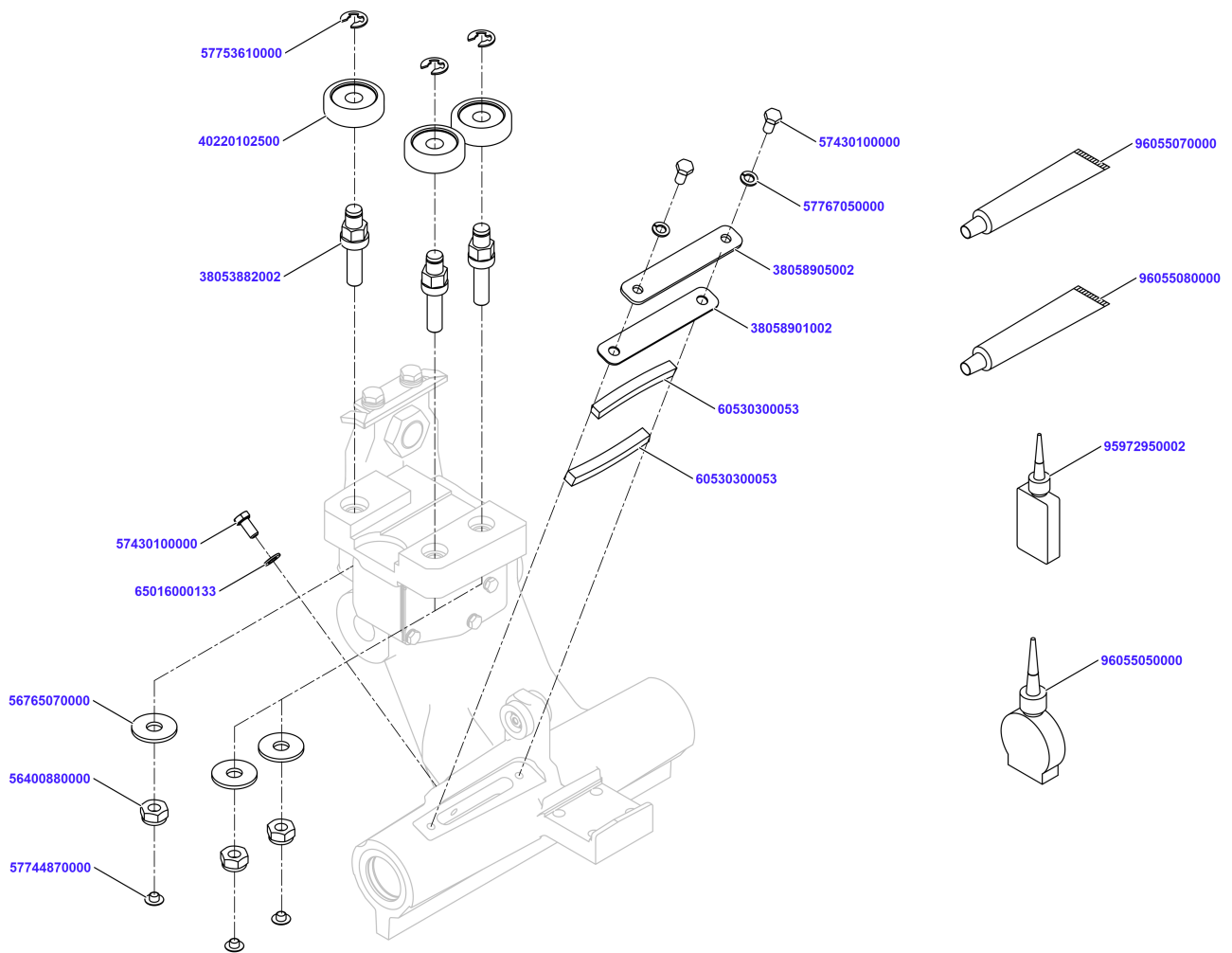
Carriage Guide preass.



Carriage Guide preass.

Material No.	Qty	Material description	available for order	Wear part	Recomm. sp. part	Metr. relevance
38015379002	1	Cover preass.	✓			
38010967000	1	Sealing	✓		✓	
57429080000	4	Hexagon screw DIN933 M4x8 A2-70	✓			
57767040000	4	Spring lock washer DIN128-A4-FSt	✓			
38067253003	1	Stop	✓			
57431160000	2	Hexagon screw DIN933 M6x16 A2-70	✓			
56739060000	2	Washer DIN125-A-6-A2	✓			
57767060000	2	Spring lock washer DIN128-A6-FSt	✓			
38068570003	1	Hexagon Screw M16xM10x30x19 CuZn	✓			
38124200000	1	Hexagon nut DIN 439 B M16x1.5-A2	✓			
38099374010	2	Rubber Buffer	✓			
57429120000	1	Hexagon screw DIN933 M4x12 A-70	✓			
38012465000	1	trust washer	✓			
56456400000	1	Hexagon nut DIN934-M4-A2	✓			
38012465000	1	trust washer	✓			
57431160000	1	Hexagon screw DIN933 M6x16 A2-70	✓			

Carriage Guide press.



Carriage Guide preass.

Material No.	Qty	Material description	available for order	Wear part	Recomm. sp. part	Metr. relevance
38053882002	1	Eccentric Bolt 15f8 x 48	✓			
56765070000	3	Washer DIN 9021-8-A2	✓			
56400880000	3	Lock nut DIN985-M8-A2	✓			
95972950002	0,001	Loctite 243 50 ml	✓			
57744870000	3	Protective plug 10x5,2x3,1-PE	✓		✓	
40220102500	3	roller	✓	✓	✓	
96055080000	0,001	Kluebersynth UH1 64-62/25kg	✓			
57753610000	3	Retaining washer DIN6799-7	✓			
96055070000	0,001	Grease PARALIQ GA 343	✓			
60530300053	2	lubricating felt	✓			
96055050000	0,001	Lubricating Oil F.L.5 Oil UH1	✓			
38058901002	1	Sealing	✓		✓	
38058905002	1	Cover	✓			
57430100000	3	Hexagon screw DIN933 M5x10 A2-70	✓			
57767050000	2	Spring lock washer DIN128-A5-FSt	✓			
65016000133	1	Washer 5-PA	✓			

Carriage Guide preass.

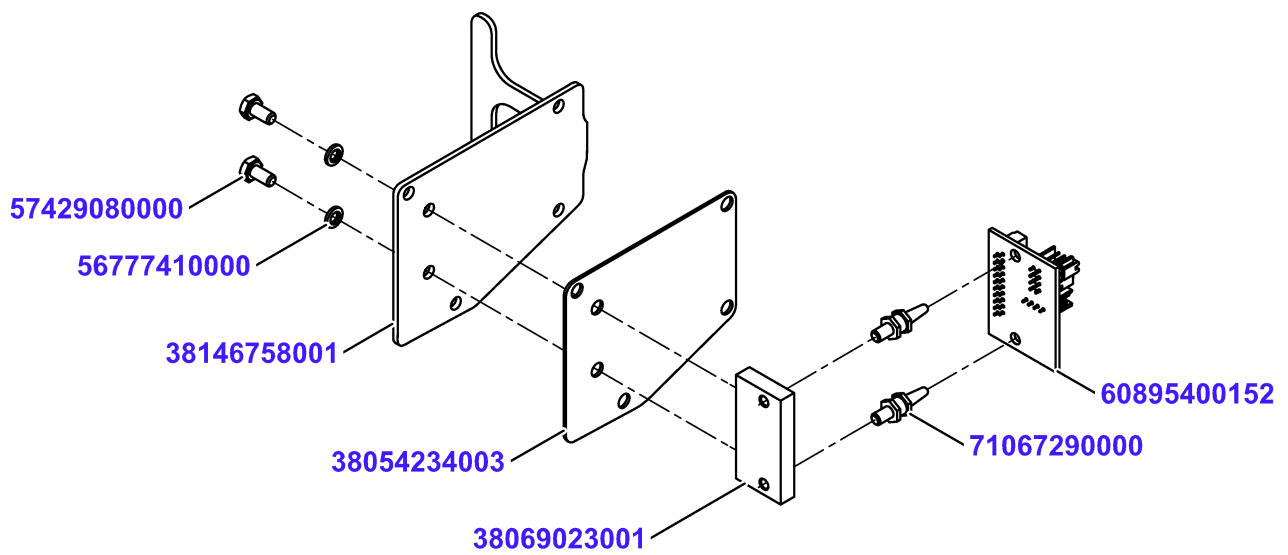
Carriage Guide preass.

Material No. **Qty** **Material description**

[38053881002](#) 2 Bolt 14f8 x 48

available for order
Wear part
Recomm. sp. part
Metr. relevance

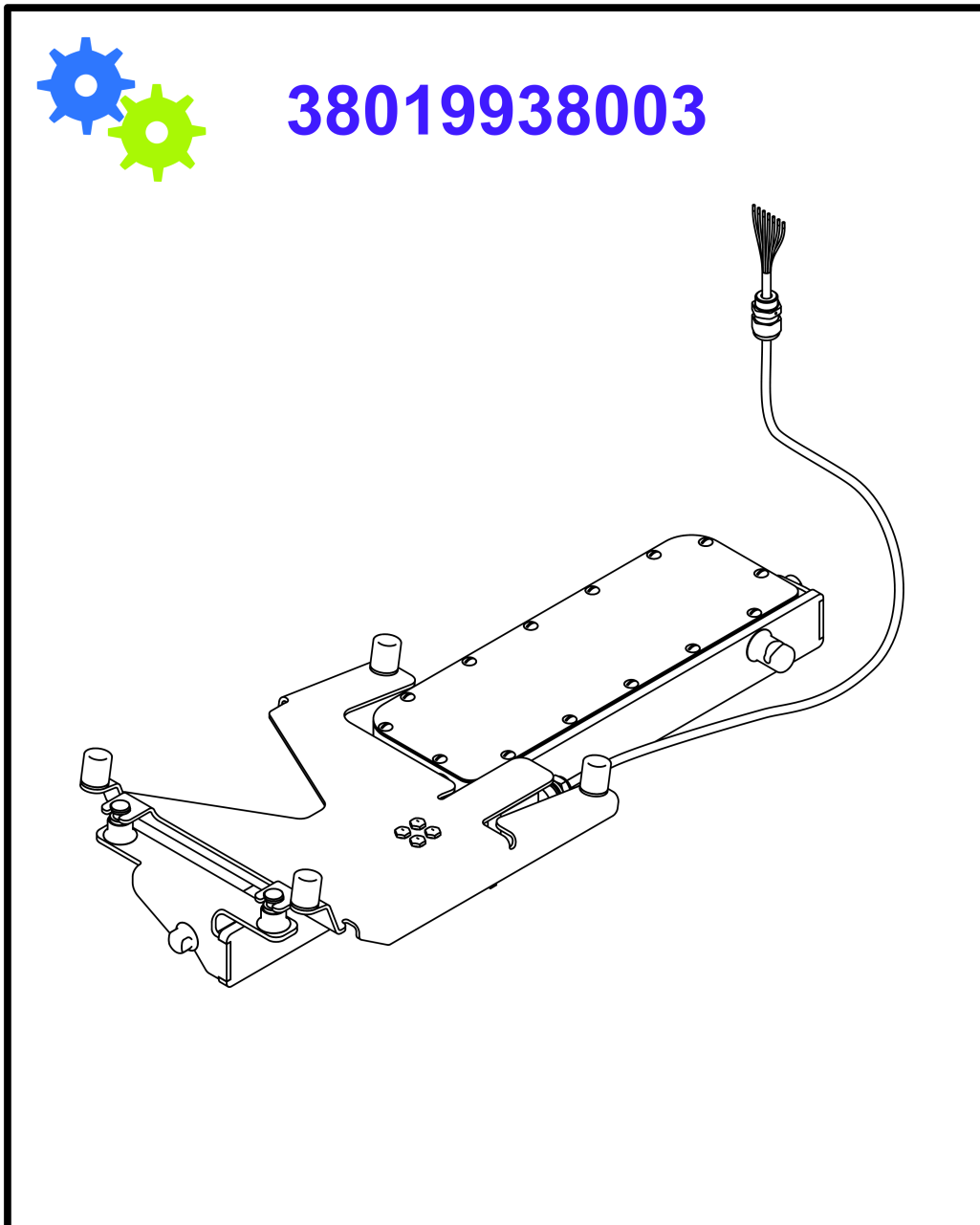
Cover preass.



Cover preass.

Material No.	Qty	Material description	available for order	Wear part	Recomm. sp. part	Metr. relevance
38146758001	1	Cover bracket	✓			
38054234003	1	Sealing	✓		✓	
38069023001	1	Holding Block	✓			
57429080000	2	Hexagon screw DIN933 M4x8 A2-70	✓			
56777410000	2	Screw seal M4	✓		✓	
71067290000	2	Spacer 6.4 LPR 8520-M4	✓			
60895400152	1	PCBA Intermediate Board 1	✓			

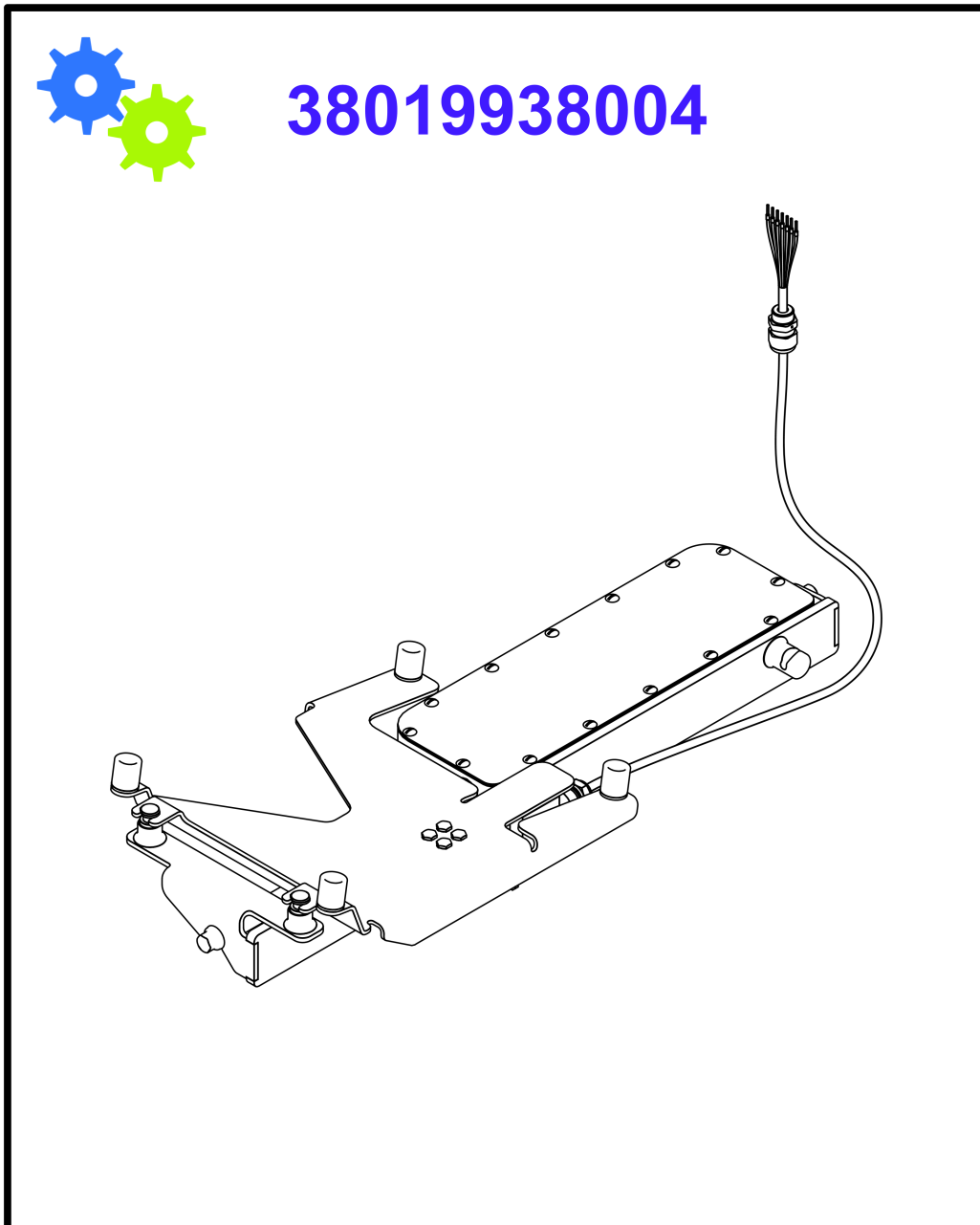
Table



Table

Material No.	Qty	Material description	available for order	Wear part	Recomm. sp. part	Metr. relevance
38019938003	1	Table Mounting Scale cpl				

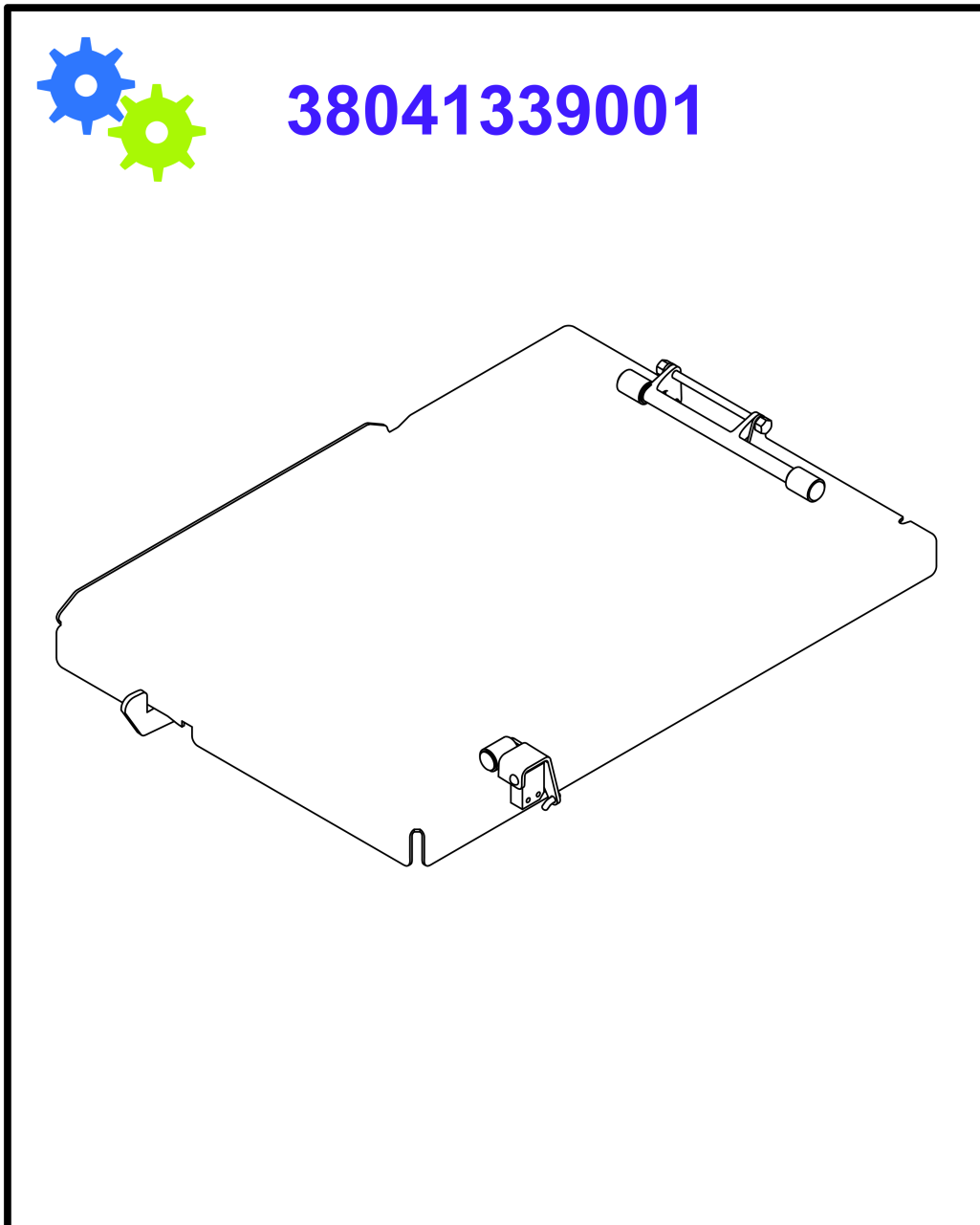
Table



Table


Material No.	Qty	Material description	available for order	Wear part	Recomm. sp. part	Metr. relevance
38019938004	1	Table Mounting Scale cpl				

Table



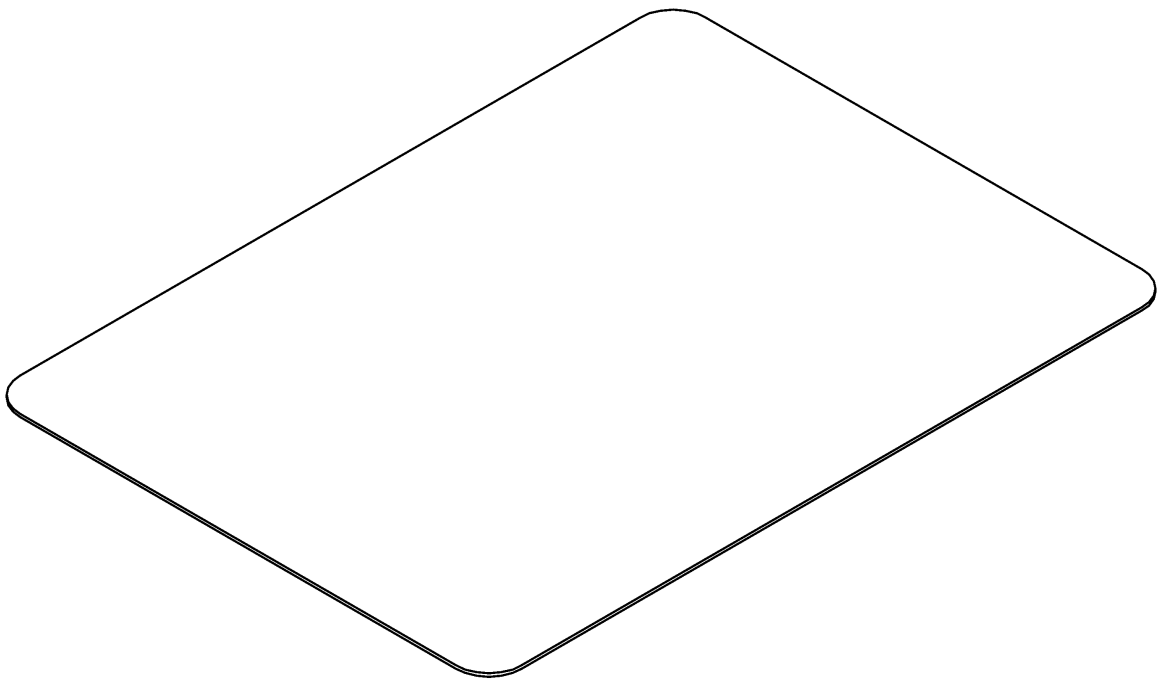
Table

Material No.	Qty	Material description
38041339001	1	Deposition Table compl. VSI

	available for order	Wear part	Recomm. sp. part	Metr. relevance
---	---------------------	-----------	------------------	-----------------

Table

60540400900



Table


Material No.	Qty	Material description	available for order	Wear part	Recomm. sp. part	Metr. relevance
60540400900	1	Depositing plate				

Table Mounting Scale cpl

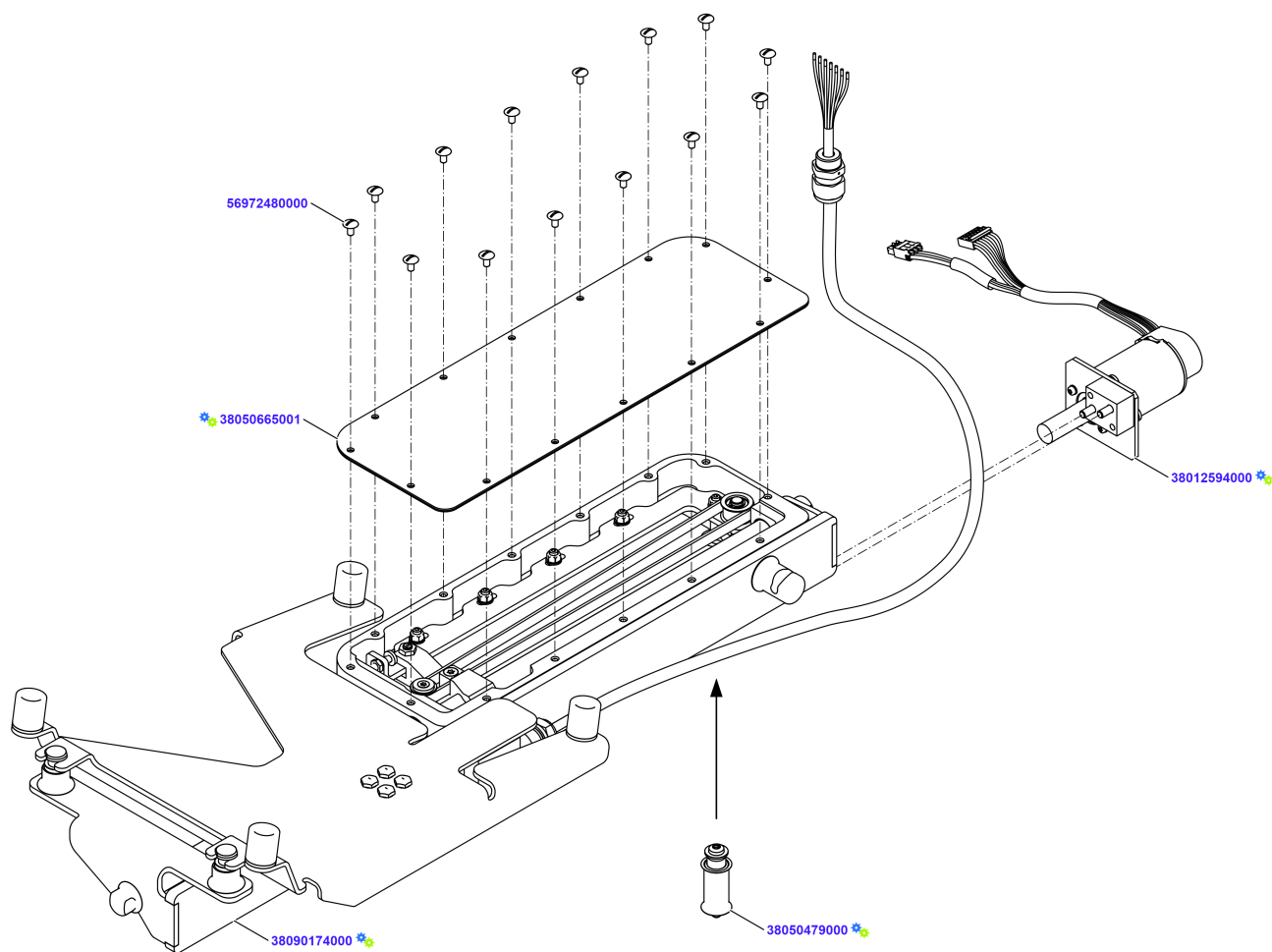
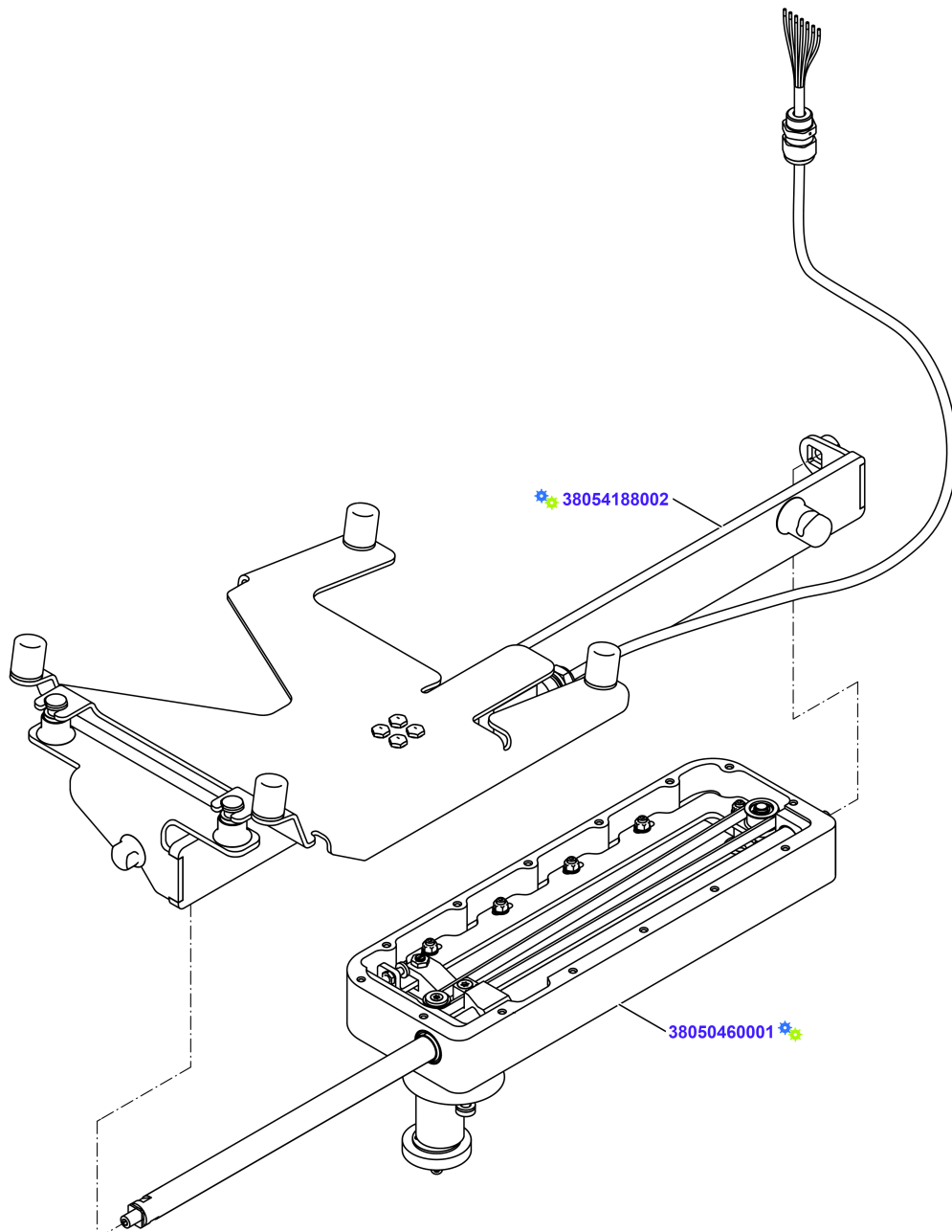


Table Mounting Scale cpl

Material No.	Qty	Material description	available for order	Wear part	Recomm. sp. part	Metr. relevance
38090174000	1	Housing with Frame Scale preass				
38050479000	1	Support cpl				
38012594000	1	Table Drive cpl				
38050665001	1	Cover preass	✓			
56972480000	14	Mushroom head screw M4x8-A2-70 Tuflok	✓			

Housing with Frame Scale preass



Housing with Frame Scale preass

Material No.	Qty	Material description
--------------	-----	----------------------

38050460001	1	Belt Housing cpl
-----------------------------	---	------------------

38054188002	1	Frame Scale cpl
-----------------------------	---	-----------------

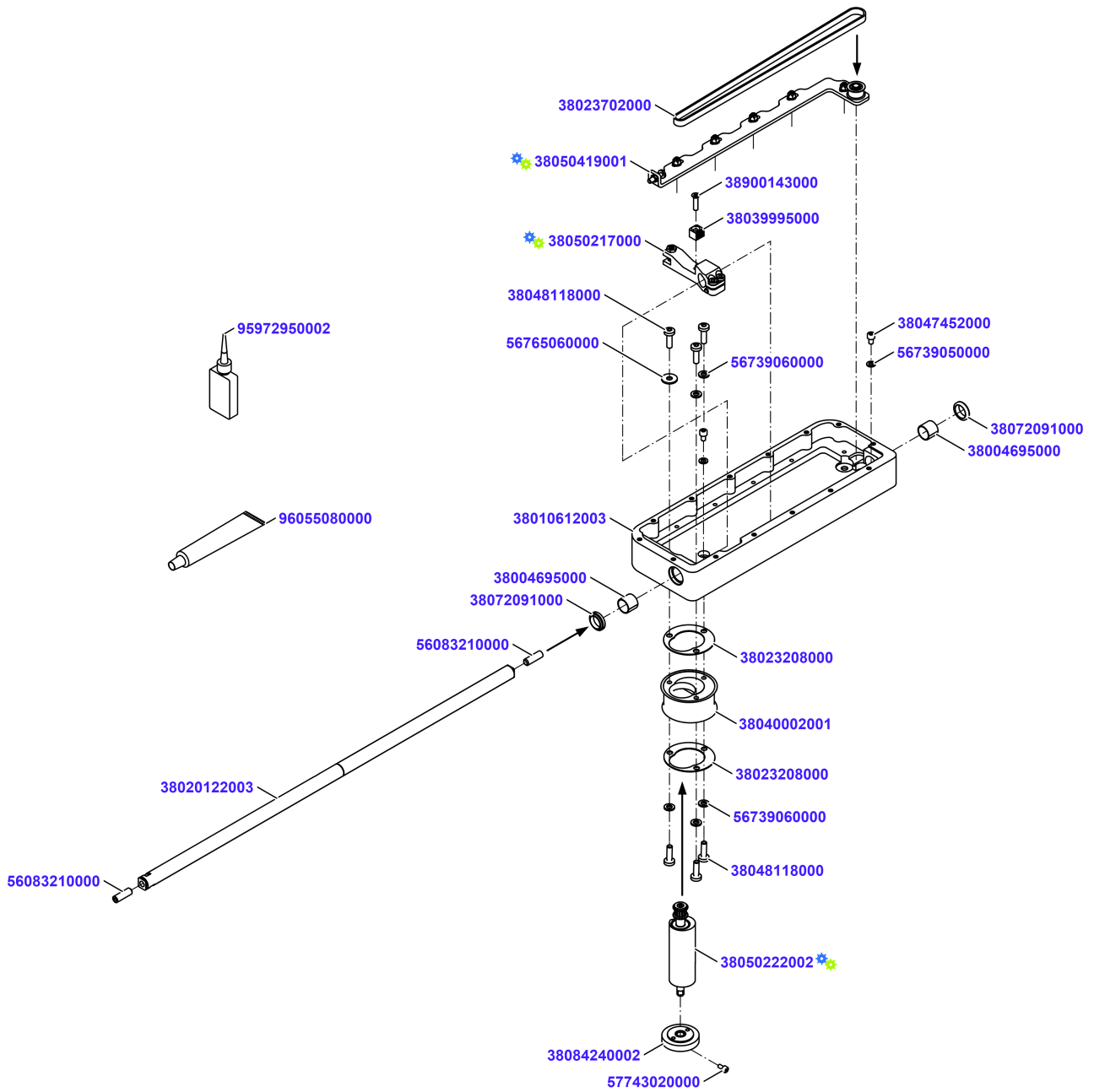
available for order

Wear part

Recomm. sp. part

Metr. relevance

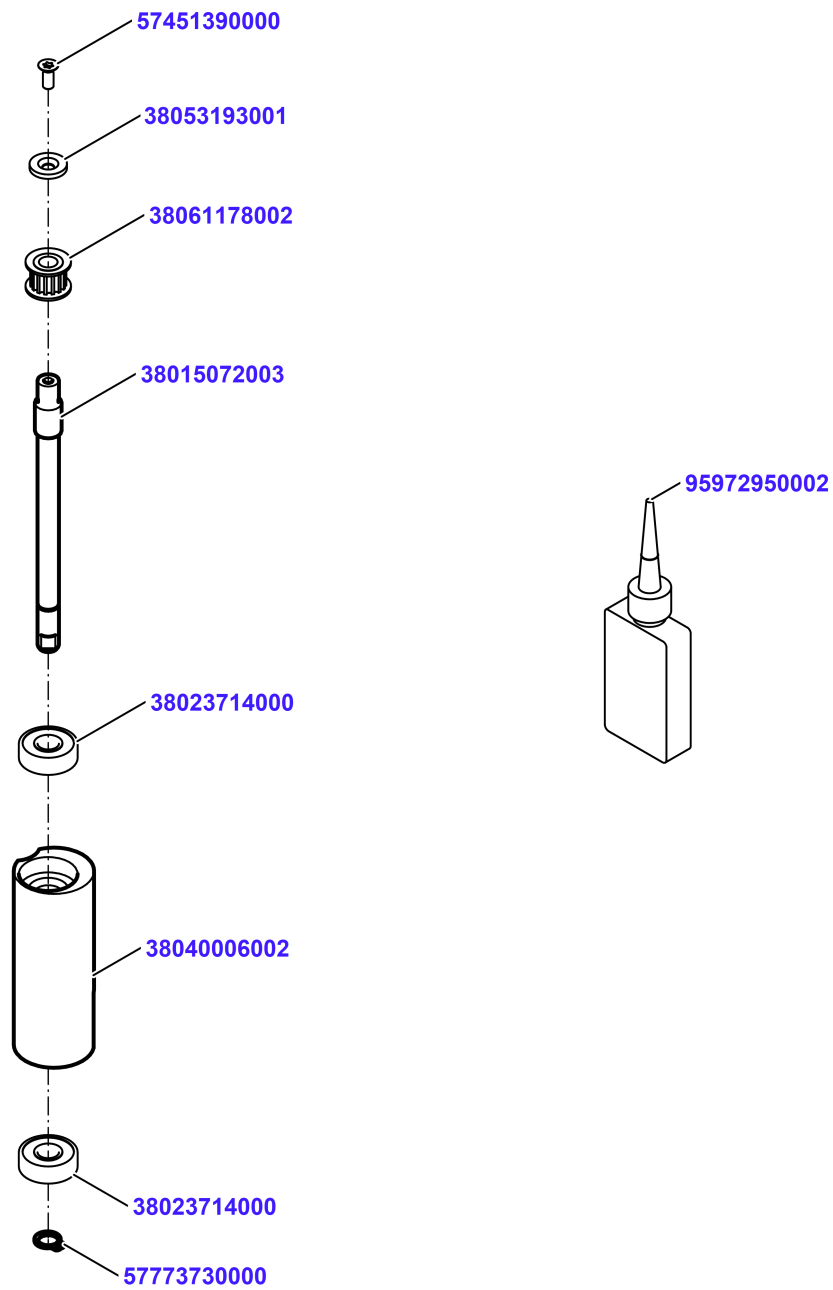
Belt Housing cpl












Belt Housing cpl

Material No.	Qty	Material description	available for order	Wear part	Recomm. sp. part	Metr. relevance
38010612003	1	Belt Housing	✓			
38004695000	2	BUSHING 1615 DP4 (UP TO DEVICE- NO. 11442345)	✓			
38072091000	2	Wiper ring 22x16x4	✓			
38040002001	1	Socket	✓			
38023208000	2	Sealing	✓		✓	
38050222002	1	Bushing preass	✓			
38048118000	3	Oval-head screw ISO14583 M6x20-A2-70-T30	✓			
95972950002	0,001	Loctite 243 50 ml	✓			
56739060000	2	Washer DIN125-A-6-A2	✓			
56765060000	1	Washer DIN9021-6-A2	✓			
38084240002	1	Helical Gear Wheel preass.	✓	✓	✓	
57743020000	1	Cylinder screw DIN912 M4x8-A2-70	✓			
38047452000	2	Cylinder screw ISO14579 M5x8-A2-70-T25	✓			
56739050000	2	Washer DIN125-A-5-A2	✓			
38050217000	1	Lever cpl	✓			
38020122003	1	Shaft	✓			
96055080000	0,001	Kluebersynth UH1 64-62/25kg	✓			
56083210000	2	Set screw ISO4026 M8x25-A2-70	✓			
38050419001	1	Guide cpl	✓			
38023702000	1	Toothed belt 8 S3M3x633	✓	✓	✓	
38039995000	1	Clamping Plate	✓			
38900143000	1	Countersunk screw DIN965 M5x20-A2-70-T25	✓			
38048118000	3	Oval-head screw ISO14583 M6x20-A2-70-T30	✓			
56739060000	3	Washer DIN125-A-6-A2	✓			

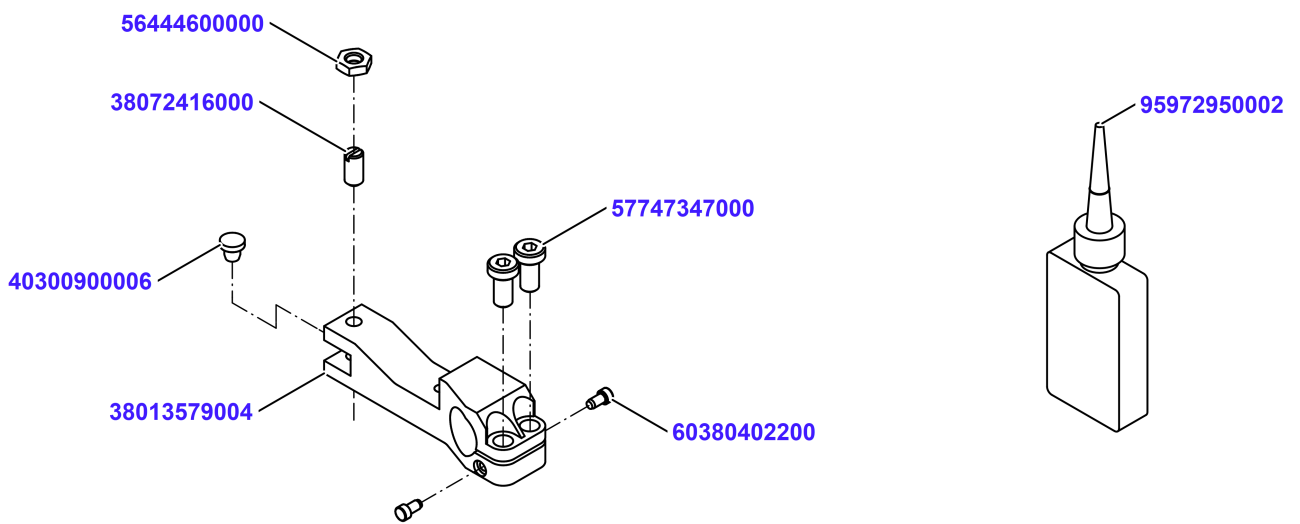
Bushing press



Bushing preass

Material No.	Qty	Material description	available for order	Wear part	Recomm. sp. part	Metr. relevance
38040006002	1	Bushing				
38023714000	1	Grooved ball bearing DIN625 8x22x7				
38015072003	1	Drive Shaft				
38023714000	1	Grooved ball bearing DIN625 8x22x7				
57773730000	1	Retaining ring DIN471-8x0,8				
38061178002	1	Belt Pulley S3M Z15 cpl				
38053193001	1	Washer				
57451390000	1	Countersunk screw DIN965 M4x10-A2-70-T20				
95972950002	0,001	Loctite 243 50 ml				

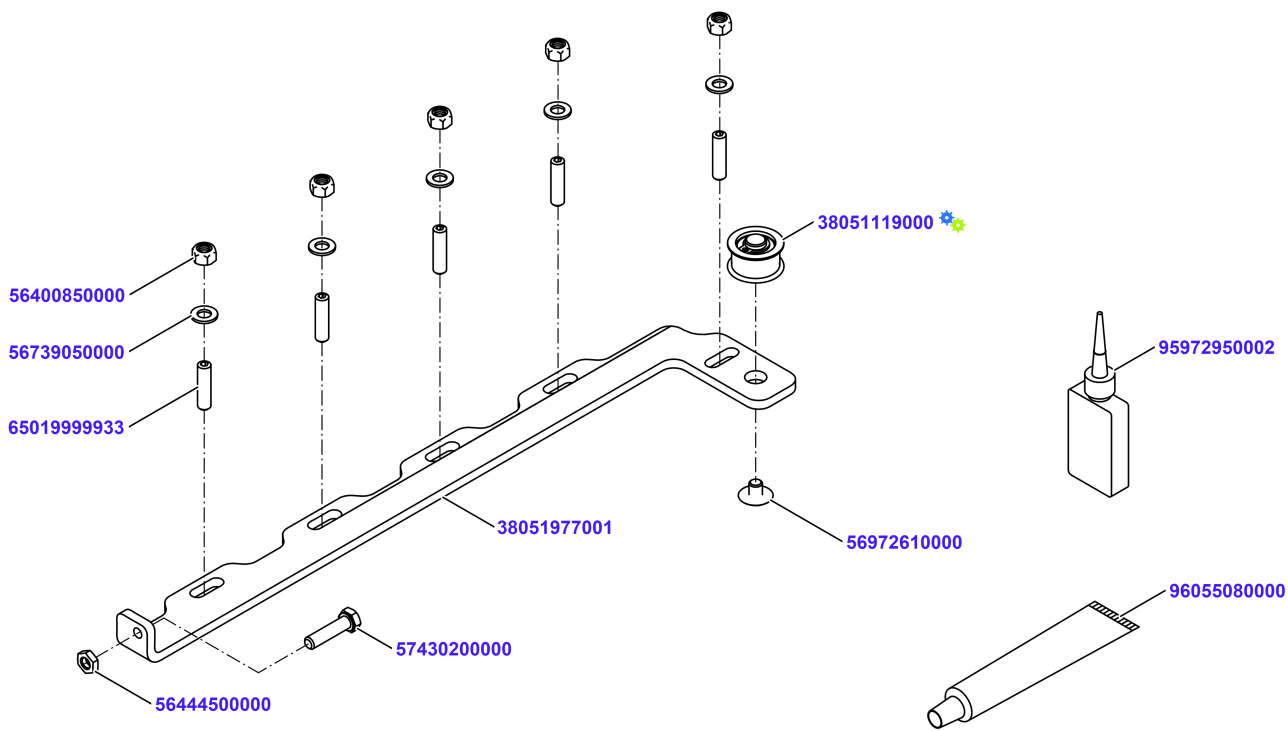
Lever cpl













Lever cpl

Material No.	Qty	Material description	available for order	Wear part	Recomm. sp. part	Metr. relevance
38013579004	1	Lever	✓			
60380402200	2	Slide pin 3,15x6 K	✓			
40300900006	1	slide pin	✓	✓	✓	
38072416000	1	Set screw DIN551 M6x12	✓			
56444600000	1	Hexagon nut DIN439-M6-A2	✓			
57747347000	2	Cylinder screw DIN7984 M6x12-A2-70	✓			
95972950002	0,001	Loctite 243 50 ml	✓			

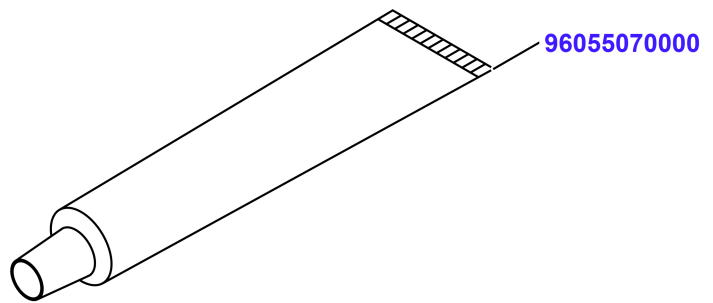
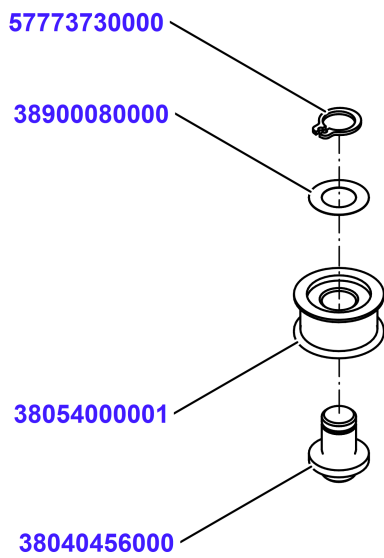
Guide cpl



Guide cpl

Material No.	Qty	Material description	available for order	Wear part	Recomm. sp. part	Metr. relevance
38051977001	1	Guide				
96055080000	0,001	Kluebersynth UH1 64-62/25kg				
65019999933	5	Set screw ISO4026 M5x20-A2-70				
56444500000	1	Hexagon nut DIN439-M5-A2				
57430200000	1	Hexagon screw DIN933 M5x20 A2-70				
38051119000	1	Tightening Roll cpl				
56972610000	1	Mushroom head screw M5x6-A2-70				
95972950002	0,001	Loctite 243 50 ml				
56400850000	5	Lock nut DIN985-M5-A2				
56739050000	5	Washer DIN125-A-5-A2				

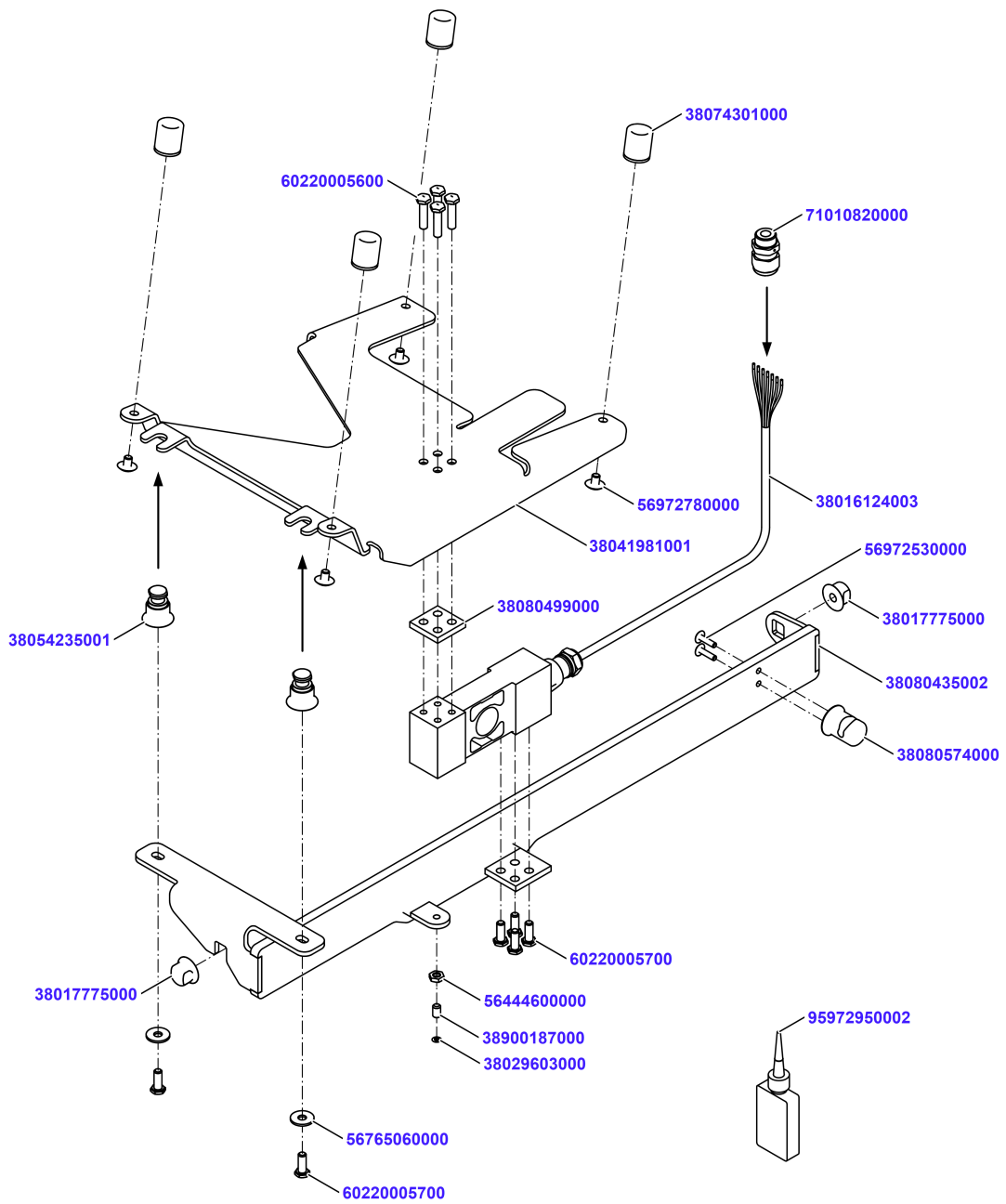
Tightening Roll cpl



Tightening Roll cpl

Material No.	Qty	Material description	available for order	Wear part	Recomm. sp. part	Metr. relevance
38054000001	1	Tensioning roller 18 x 9 x 8H11				
38040456000	1	Pin				
96055070000	0,001	Grease PARALIQ GA 343				
38900080000	1	Shim ring DIN988-8x14x0,1				
57773730000	1	Retaining ring DIN471-8x0,8				

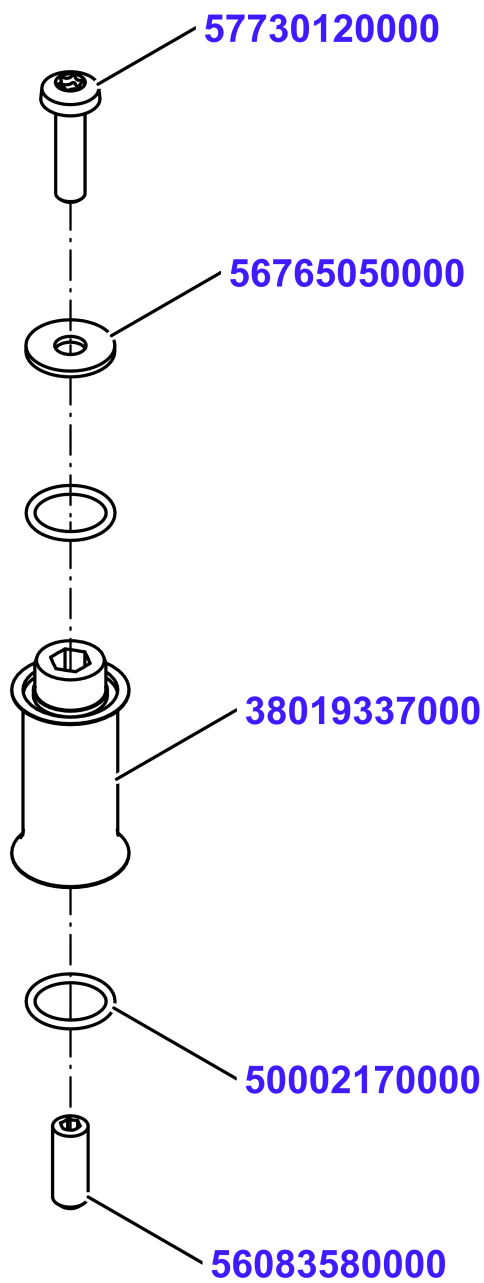
Frame Scale cpl



Frame Scale cpl

Material No.	Qty	Material description	available for order	Wear part	Recomm. sp. part	Metr. relevance
38080435002	1	Frame cpl welded	✓			
38016124003	1	weighing cell with cable 0,90m	✓			
71010820000	1	Cable Gland M16 UL 53111010	✓			
60220005700	4	hexagon screw oval-head M 6x16	✓			
95972950002	0,001	Loctite 243 50 ml	✓			
38900187000	1	Set screw ISO4026 M6x10-A2-70	✓			
56444600000	1	Hexagon nut DIN439-M6-A2	✓			
38029603000	1	Protective plug 7x3,2x1,3-PE	✓		✓	
38080574000	1	Cable Clip	✓			
56972530000	2	Mushroom head screw M4x16-A2-70	✓			
38041981001	1	Fastener	✓			
38074301000	4	Buffer 20xM6x23-I	✓			
56972780000	4	Mushroom head screw M6x8-A2-70	✓			
38080499000	1	Distance 5mm	✓			
60220005600	4	HEXAGON SCREW OVAL- HEAD M 6X25	✓			
38054235001	2	Overload preass	✓			
60220005700	2	hexagon screw oval-head M 6x16	✓			
56765060000	2	Washer DIN9021-6-A2	✓			
38017775000	2	Cap Nut	✓			

Support cpl



Support cpl

Material No.	Qty	Material description	available for order	Wear part	Recomm. sp. part	Metr. relevance
38019337000	1	Support				
56765050000	1	Washer DIN9021-5-A2				
50002170000	1	O-ring DIN3771 12x1,5 NBR				
57730120000	1	Oval-head screw ISO14583 M5x20-A2-70-T25				
50002170000	1	O-ring DIN3771 12x1,5 NBR				
56083580000	1	Set screw ISO4026 M6x16-A2-70				

Table Drive cpl

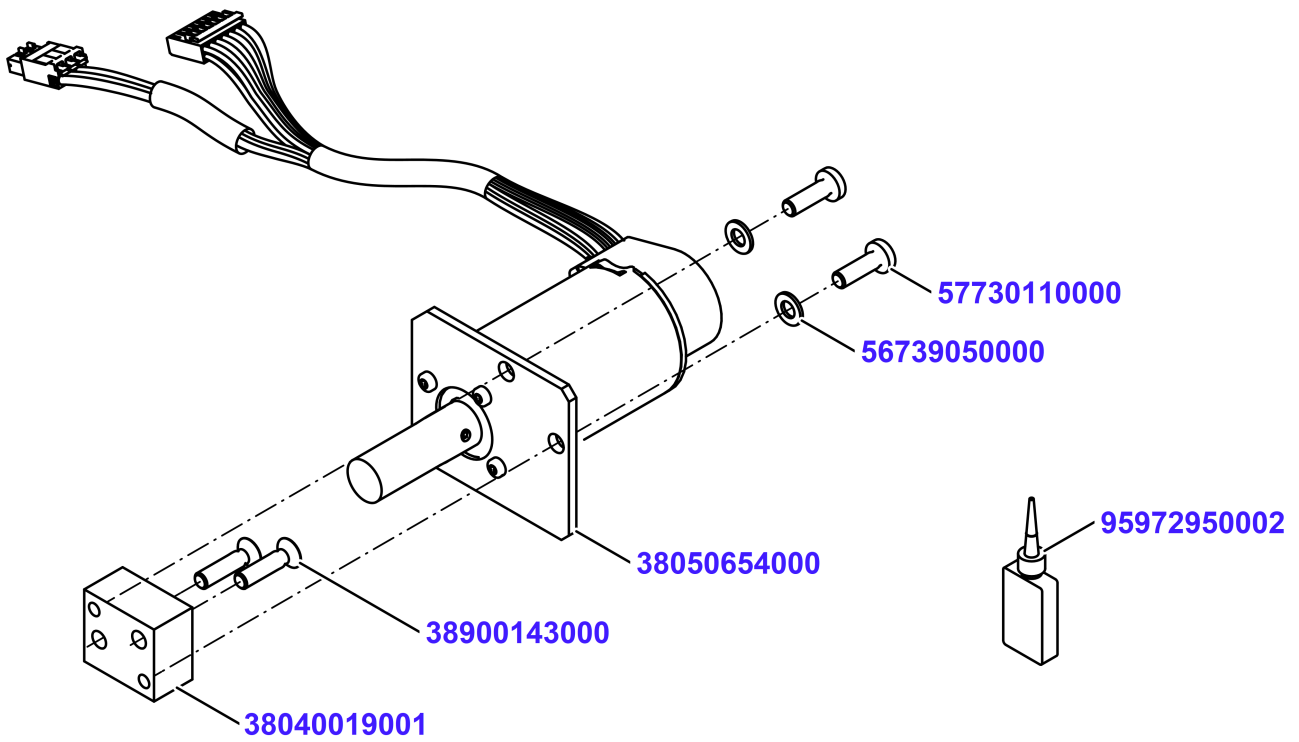
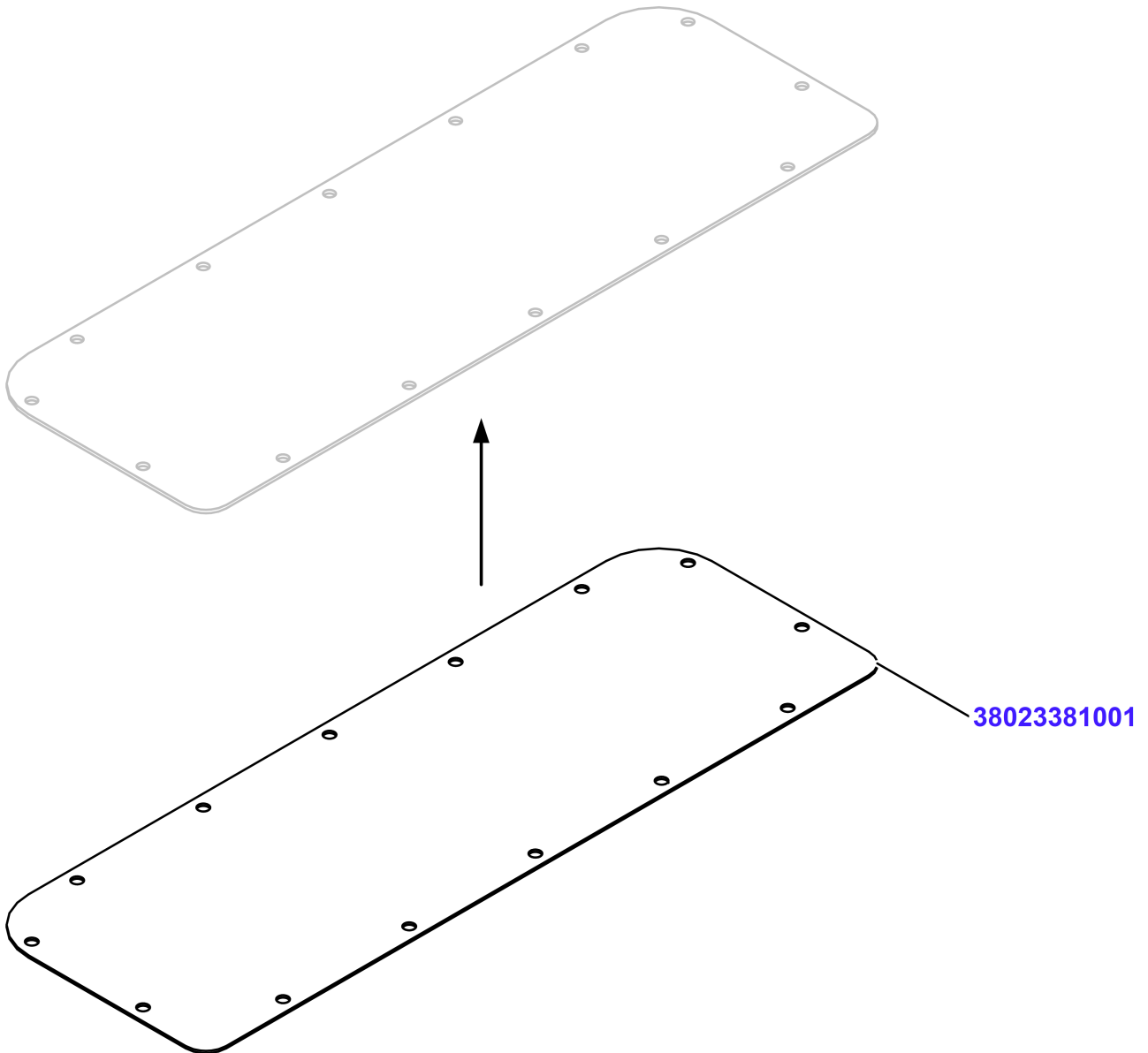


Table Drive cpl

Material No.	Qty	Material description	available for order	Wear part	Recomm. sp. part	Metr. relevance
38050654000	1	Motor horizontal preass	✓			
38040019001	1	Distance	✓			
38900143000	2	Countersunk screw DIN965 M5x20-A2-70-T25	✓			
57730110000	2	Oval-head screw ISO14583 M5x16-A2-70-T25	✓			
95972950002	0,001	Loctite 243 50 ml	✓			
56739050000	2	Washer DIN125-A-5-A2	✓			

Cover preass



Cover preass

Material No.	Qty	Material description
38023381001	1	Sealing

available for order
Wear part
Recomm. sp. part
Metr. relevance

Table Mounting Scale cpl

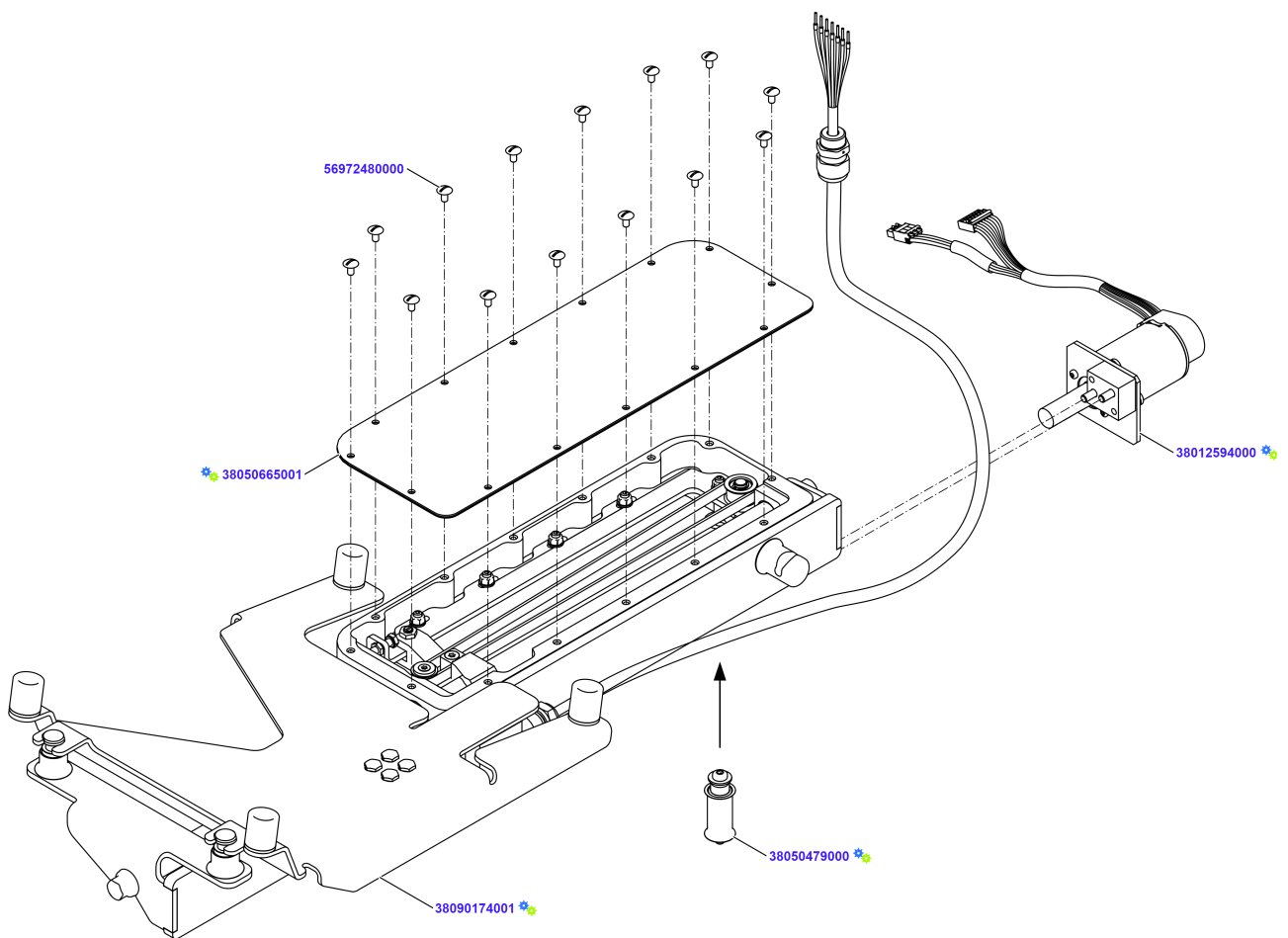
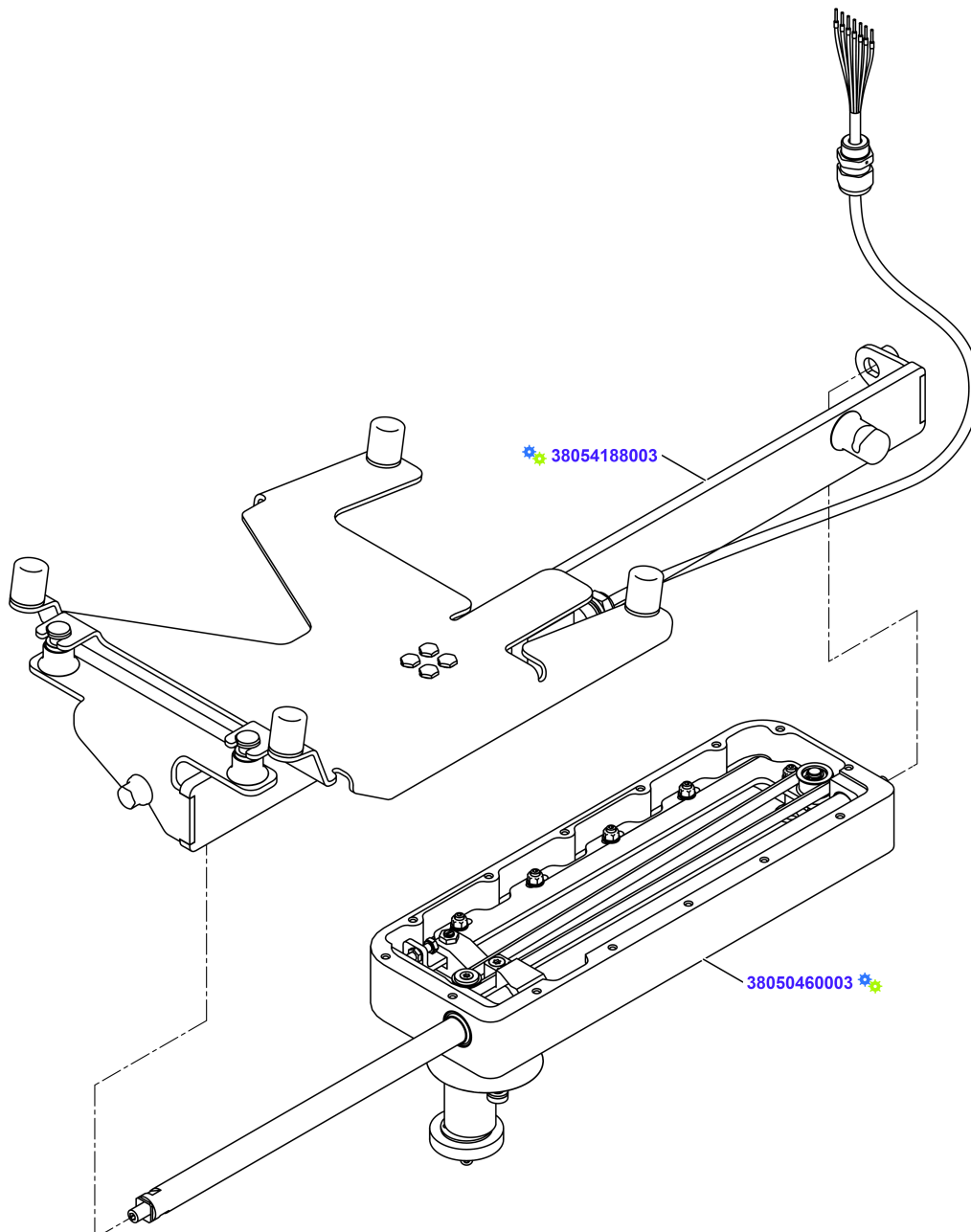


Table Mounting Scale cpl

Material No.	Qty	Material description	available for order	Wear part	Recomm. sp. part	Metr. relevance
38090174001	1	Housing with Frame Scale preass				
38050479000	1	Support cpl				
38012594000	1	Table Drive cpl				
38050665001	1	Cover preass	✓			
56972480000	14	Mushroom head screw M4x8-A2-70 Tuflok	✓			

Housing with Frame Scale preass



Housing with Frame Scale preass

Material No.	Qty	Material description
38050460003	1	Belt Housing cpl
38054188003	1	Frame Scale cpl

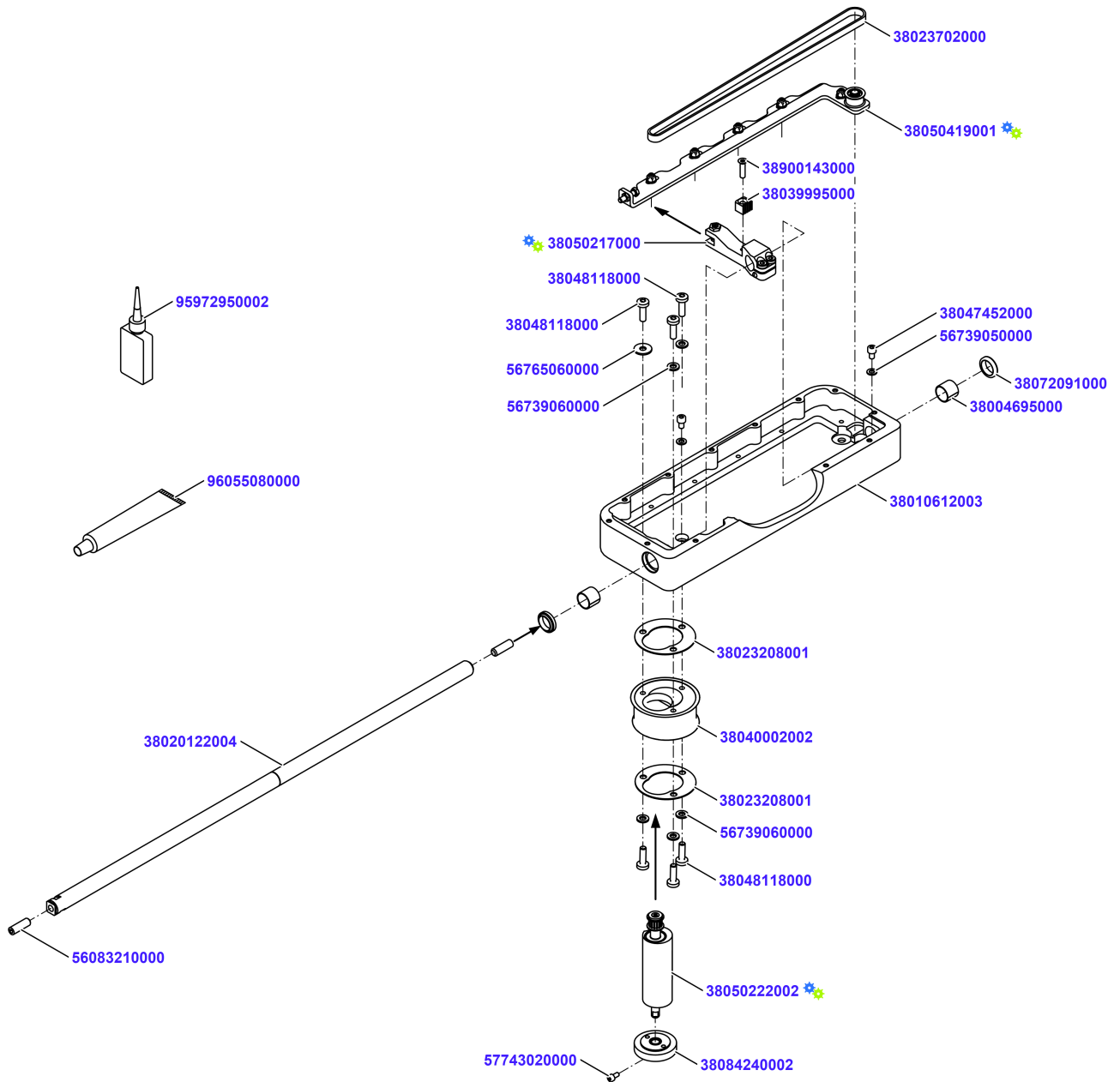
available for order

Wear part

Recomm. sp. part

Metr. relevance

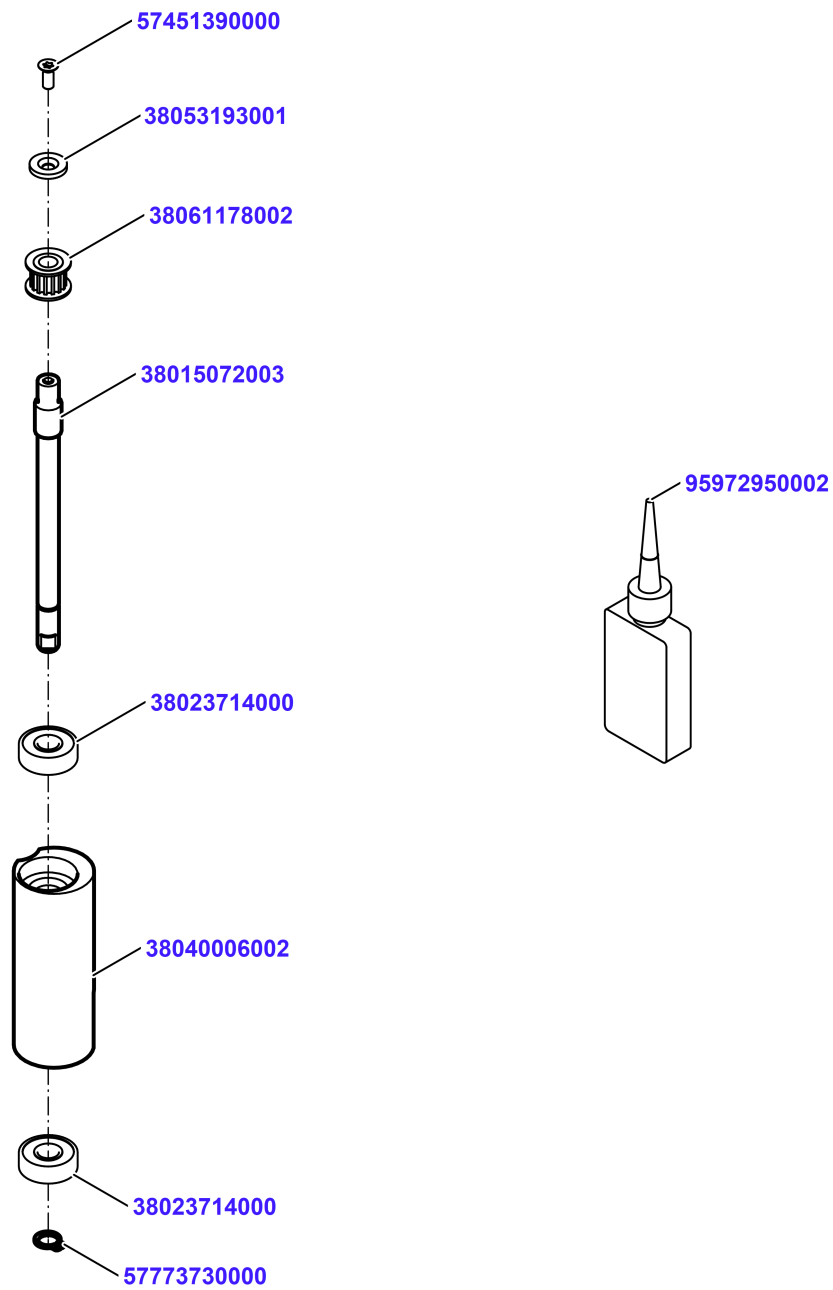
Belt Housing cpl












Belt Housing cpl

Material No.	Qty	Material description	available for order	Wear part	Recomm. sp. part	Metr. relevance
38010612003	1	Belt Housing	✓			
38004695000	2	BUSHING 1615 DP4 (UP TO DEVICE- NO. 11442345)	✓			
38072091000	2	Wiper ring 22x16x4	✓			
38040002002	1	Socket	✓			
38023208001	2	Sealing	✓			
38050222002	1	Bushing preass	✓			
38048118000	3	Oval-head screw ISO14583 M6x20-A2-70-T30	✓			
95972950002	0,001	Loctite 243 50 ml	✓			
56739060000	2	Washer DIN125-A-6-A2	✓			
56765060000	1	Washer DIN9021-6-A2	✓			
38084240002	1	Helical Gear Wheel preass.	✓	✓	✓	
57743020000	1	Cylinder screw DIN912 M4x8-A2-70	✓			
38047452000	2	Cylinder screw ISO14579 M5x8-A2-70-T25	✓			
56739050000	2	Washer DIN125-A-5-A2	✓			
38050217000	1	Lever cpl	✓			
38020122004	1	Axle 16f7 x 595	✓			
96055080000	0,001	Kluebersynth UH1 64-62/25kg	✓			
56083210000	2	Set screw ISO4026 M8x25-A2-70	✓			
38050419001	1	Guide cpl	✓			
38023702000	1	Toothed belt 8 S3M3x633	✓	✓	✓	
38039995000	1	Clamping Plate	✓			
38900143000	1	Countersunk screw DIN965 M5x20-A2-70-T25	✓			
38048118000	3	Oval-head screw ISO14583 M6x20-A2-70-T30	✓			
56739060000	3	Washer DIN125-A-6-A2	✓			

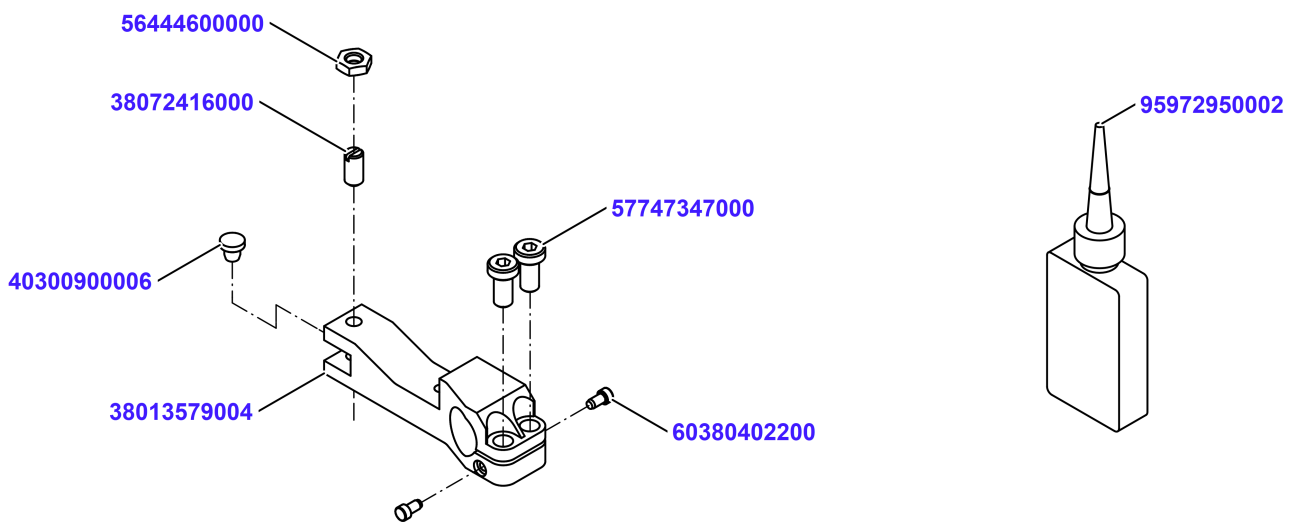
Bushing press



Bushing preass

Material No.	Qty	Material description	available for order	Wear part	Recomm. sp. part	Metr. relevance
38040006002	1	Bushing				
38023714000	1	Grooved ball bearing DIN625 8x22x7				
38015072003	1	Drive Shaft				
38023714000	1	Grooved ball bearing DIN625 8x22x7				
57773730000	1	Retaining ring DIN471-8x0,8				
38061178002	1	Belt Pulley S3M Z15 cpl				
38053193001	1	Washer				
57451390000	1	Countersunk screw DIN965 M4x10-A2-70-T20				
95972950002	0,001	Loctite 243 50 ml				

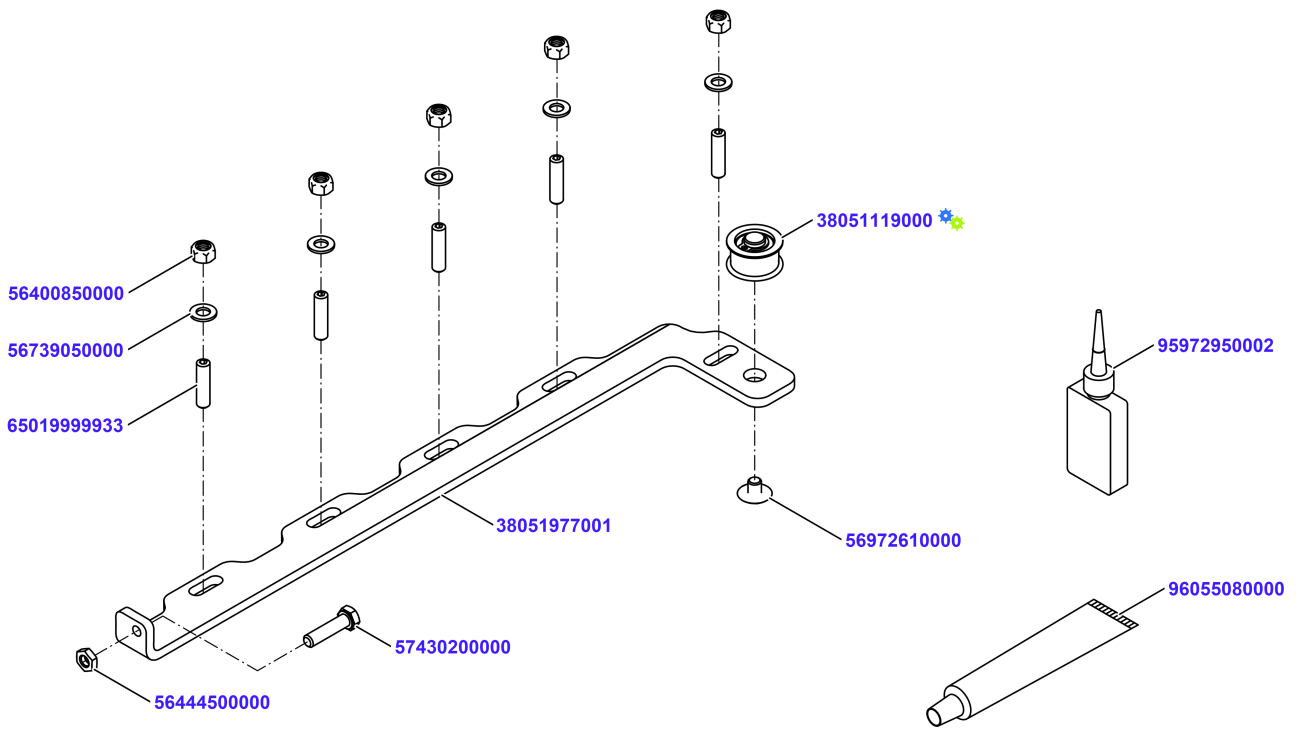
Lever cpl



Lever cpl

Material No.	Qty	Material description	available for order	Wear part	Recomm. sp. part	Metr. relevance
38013579004	1	Lever	✓			
60380402200	2	Slide pin 3,15x6 K	✓			
40300900006	1	slide pin	✓	✓	✓	
38072416000	1	Set screw DIN551 M6x12	✓			
56444600000	1	Hexagon nut DIN439-M6-A2	✓			
57747347000	2	Cylinder screw DIN7984 M6x12-A2-70	✓			
95972950002	0,001	Loctite 243 50 ml	✓			

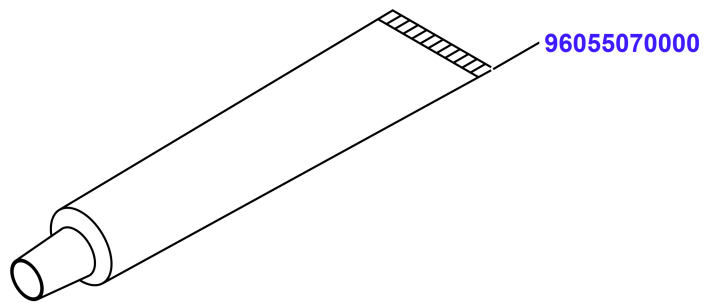
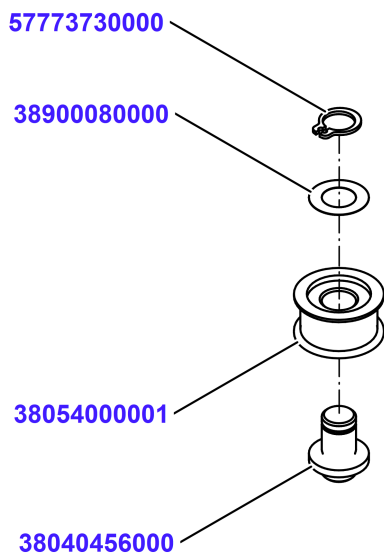
Guide cpl



Guide cpl

Material No.	Qty	Material description	available for order	Wear part	Recomm. sp. part	Metr. relevance
38051977001	1	Guide	✓			
96055080000	0,001	Kluebersynth UH1 64-62/25kg	✓			
65019999933	5	Set screw ISO4026 M5x20-A2-70	✓			
56444500000	1	Hexagon nut DIN439-M5-A2	✓			
57430200000	1	Hexagon screw DIN933 M5x20 A2-70	✓			
38051119000	1	Tightening Roll cpl	✓			
56972610000	1	Mushroom head screw M5x6-A2-70	✓			
95972950002	0,001	Loctite 243 50 ml	✓			
56400850000	5	Lock nut DIN985-M5-A2	✓			
56739050000	5	Washer DIN125-A-5-A2	✓			

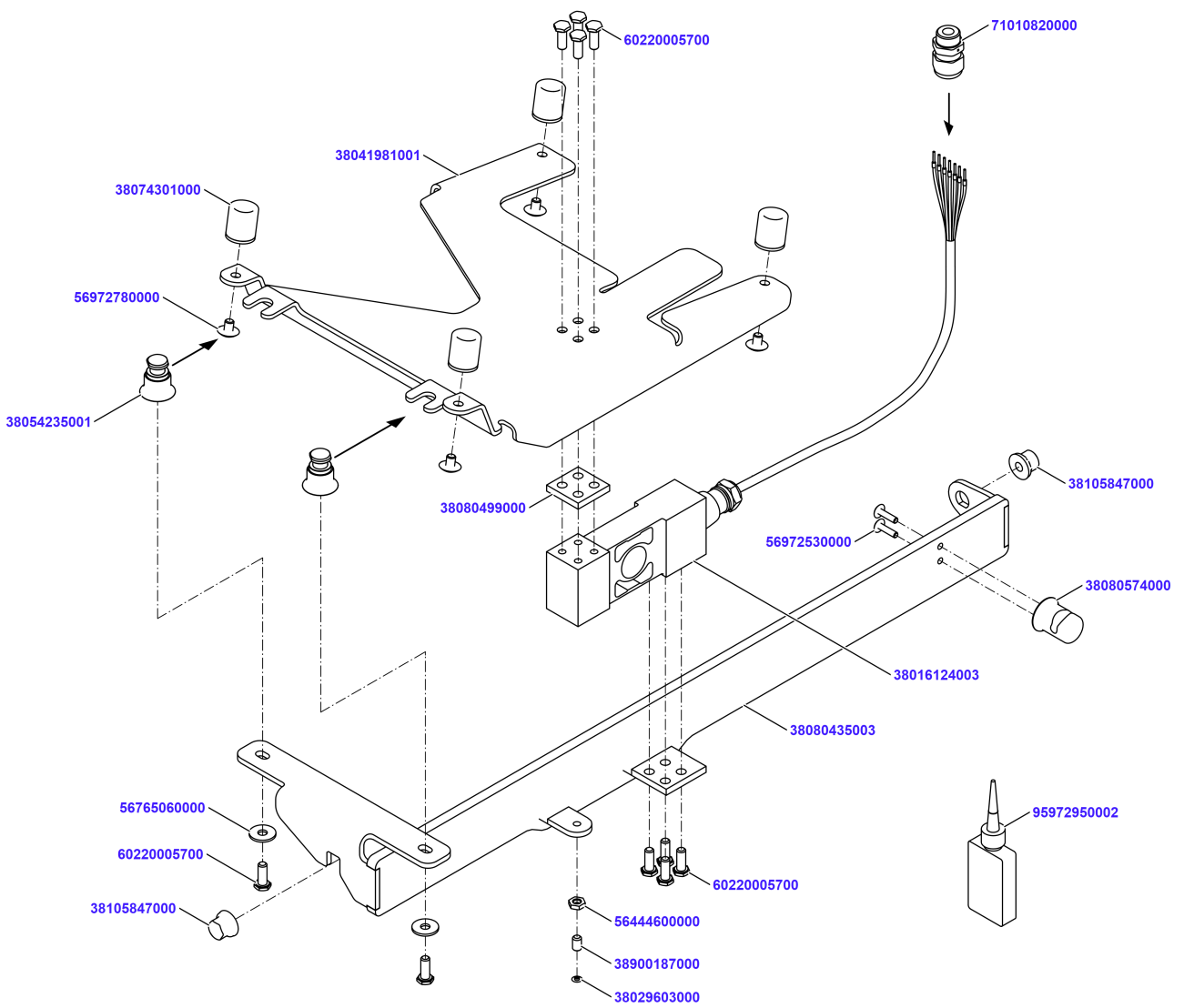
Tightening Roll cpl



Tightening Roll cpl

Material No.	Qty	Material description	available for order	Wear part	Recomm. sp. part	Metr. relevance
38054000001	1	Tensioning roller 18 x 9 x 8H11				
38040456000	1	Pin				
96055070000	0,001	Grease PARALIQ GA 343				
38900080000	1	Shim ring DIN988-8x14x0,1				
57773730000	1	Retaining ring DIN471-8x0,8				

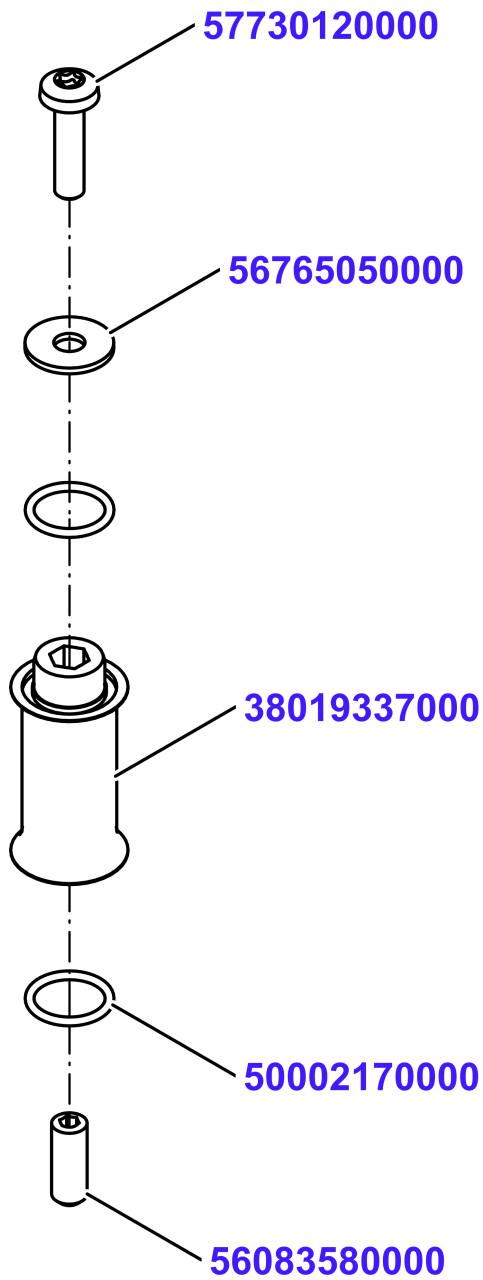
Frame Scale cpl



Frame Scale cpl

Material No.	Qty	Material description	available for order	Wear part	Recomm. sp. part	Metr. relevance
38080435003	1	Frame cpl welded	✓			
38016124003	1	weighing cell with cable 0,90m	✓			
71010820000	1	Cable Gland M16 UL 53111010	✓			
60220005700	4	hexagon screw oval-head M 6x16	✓			
95972950002	0,001	Loctite 243 50 ml	✓			
38900187000	1	Set screw ISO4026 M6x10-A2-70	✓			
56444600000	1	Hexagon nut DIN439-M6-A2	✓			
38029603000	1	Protective plug 7x3,2x1,3-PE	✓		✓	
38080574000	1	Cable Clip	✓			
56972530000	2	Mushroom head screw M4x16-A2-70	✓			
38041981001	1	Fastener	✓			
38074301000	4	Buffer 20xM6x23-I	✓			
56972780000	4	Mushroom head screw M6x8-A2-70	✓			
38080499000	1	Distance 5mm	✓			
60220005700	4	hexagon screw oval-head M 6x16	✓			
38054235001	2	Overload preass	✓			
60220005700	2	hexagon screw oval-head M 6x16	✓			
56765060000	2	Washer DIN9021-6-A2	✓			
38105847000	2	Cap nut-M8 -1.4404	✓			

Support cpl



Support cpl

Material No.	Qty	Material description	available for order	Wear part	Recomm. sp. part	Metr. relevance
38019337000	1	Support				
56765050000	1	Washer DIN9021-5-A2				
50002170000	1	O-ring DIN3771 12x1,5 NBR				
57730120000	1	Oval-head screw ISO14583 M5x20-A2-70-T25				
50002170000	1	O-ring DIN3771 12x1,5 NBR				
56083580000	1	Set screw ISO4026 M6x16-A2-70				

Table Drive cpl

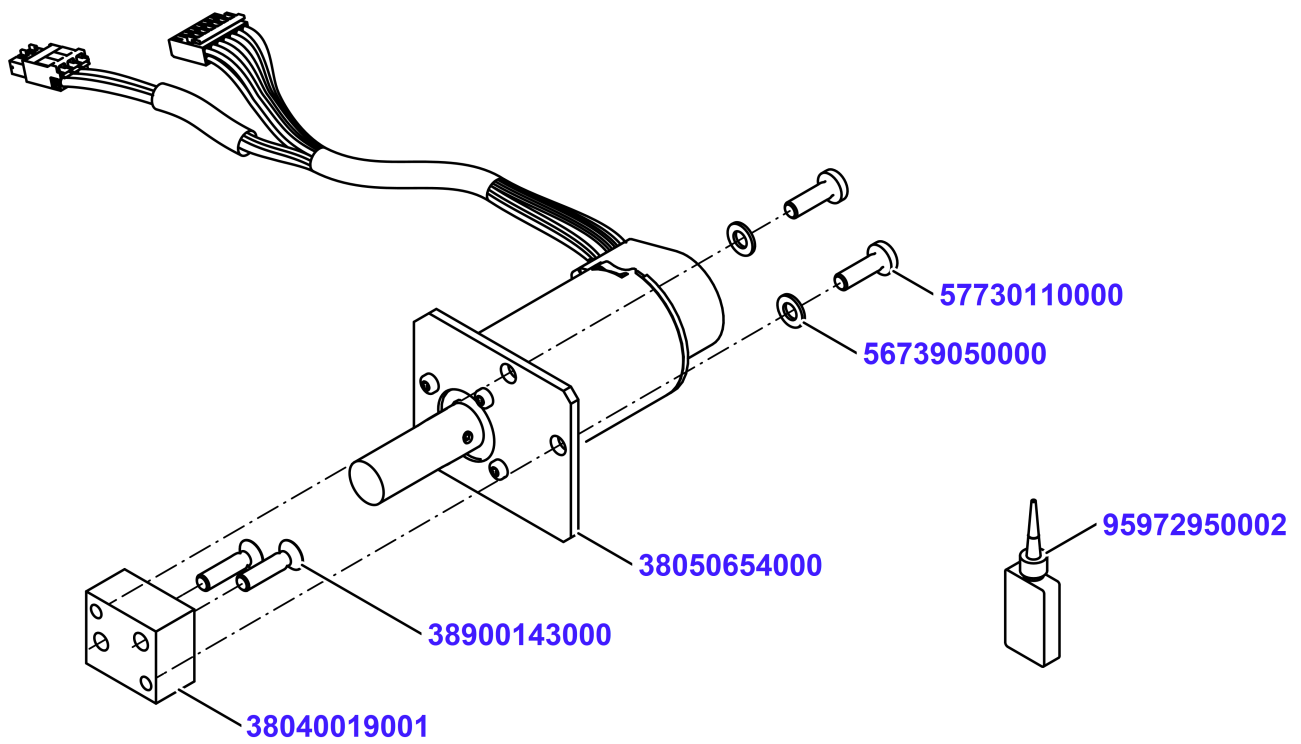
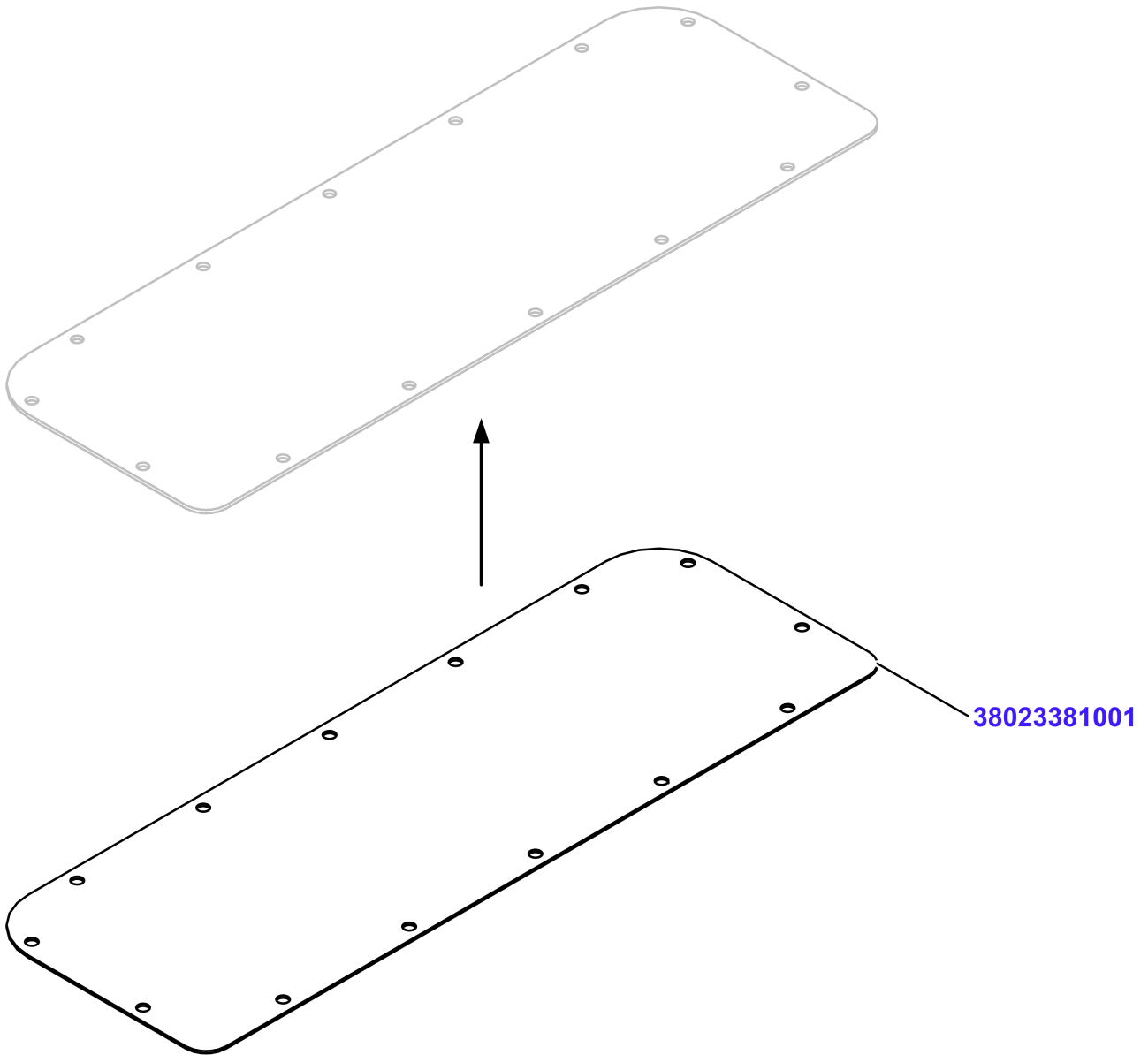


Table Drive cpl

Material No.	Qty	Material description	available for order	Wear part	Recomm. sp. part	Metr. relevance
38050654000	1	Motor horizontal preass				
38040019001	1	Distance				
38900143000	2	Countersunk screw DIN965 M5x20-A2-70-T25				
57730110000	2	Oval-head screw ISO14583 M5x16-A2-70-T25				
95972950002	0,001	Loctite 243 50 ml				
56739050000	2	Washer DIN125-A-5-A2				

Cover preass



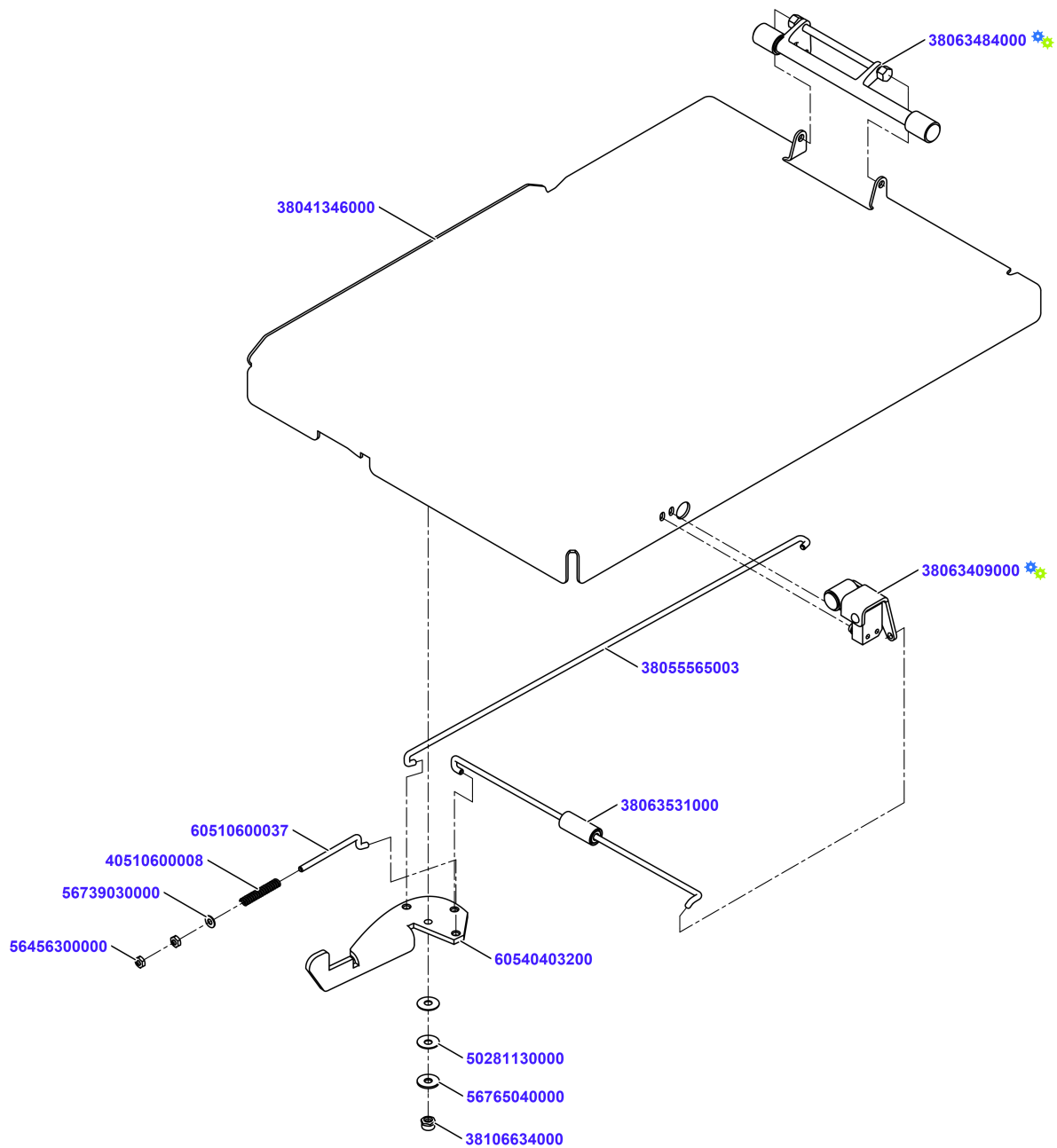
Cover preass

Material No.	Qty	Material description
--------------	-----	----------------------

38023381001	1	Sealing
-------------	---	---------

available for order
Wear part
Recomm. sp. part
Metr. relevance

Deposition Table compl. VSI

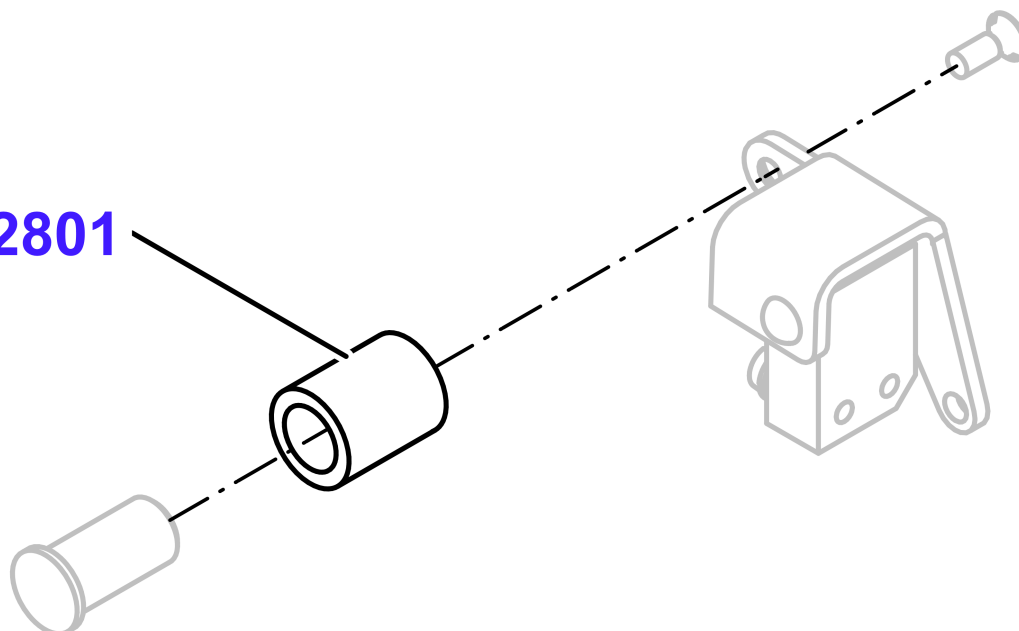


Deposition Table compl. VSI

Material No.	Qty	Material description	available for order	Wear part	Recomm. sp. part	Metr. relevance
38041346000	1	Depositing Table welded	✓			
38063409000	1	Paper Holder short cpl	✓			
38063484000	1	Paper Holder long cpl	✓			
38063531000	1	Switch Rod short cpl	✓			
38055565003	1	Switch Rod long	✓			
60510600037	1	switch rod short	✓			
40510600008	1	pressure spring	✓			
56739030000	1	Washer DIN125-A-3-A2	✓			
56456300000	2	Hexagon nut DIN934-M3-A2	✓			
60540403200	1	Lever	✓			
50281130000	2	Disc spring 12x4,2x0,5	✓			
56765040000	1	Washer DIN9021-4-A2	✓			
38106634000	1	Lock nut ISO10511-M4-A4	✓			

Paper Holder short cpl

60540402801

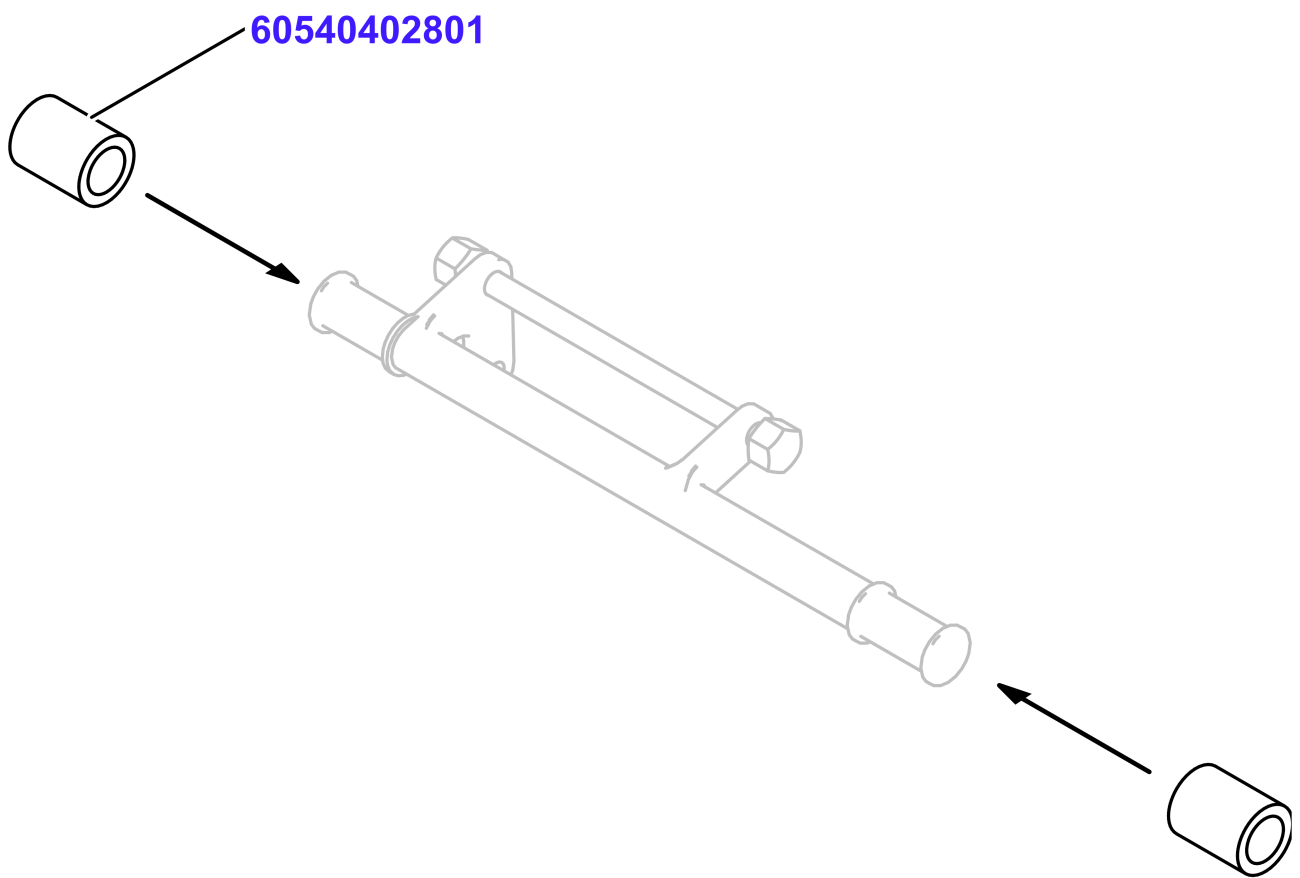


Paper Holder short cpl

Material No.	Qty	Material description
60540402801	1	silicone tube

available for order
Wear part
Recomm. sp. part
Metr. relevance

Paper Holder long cpl

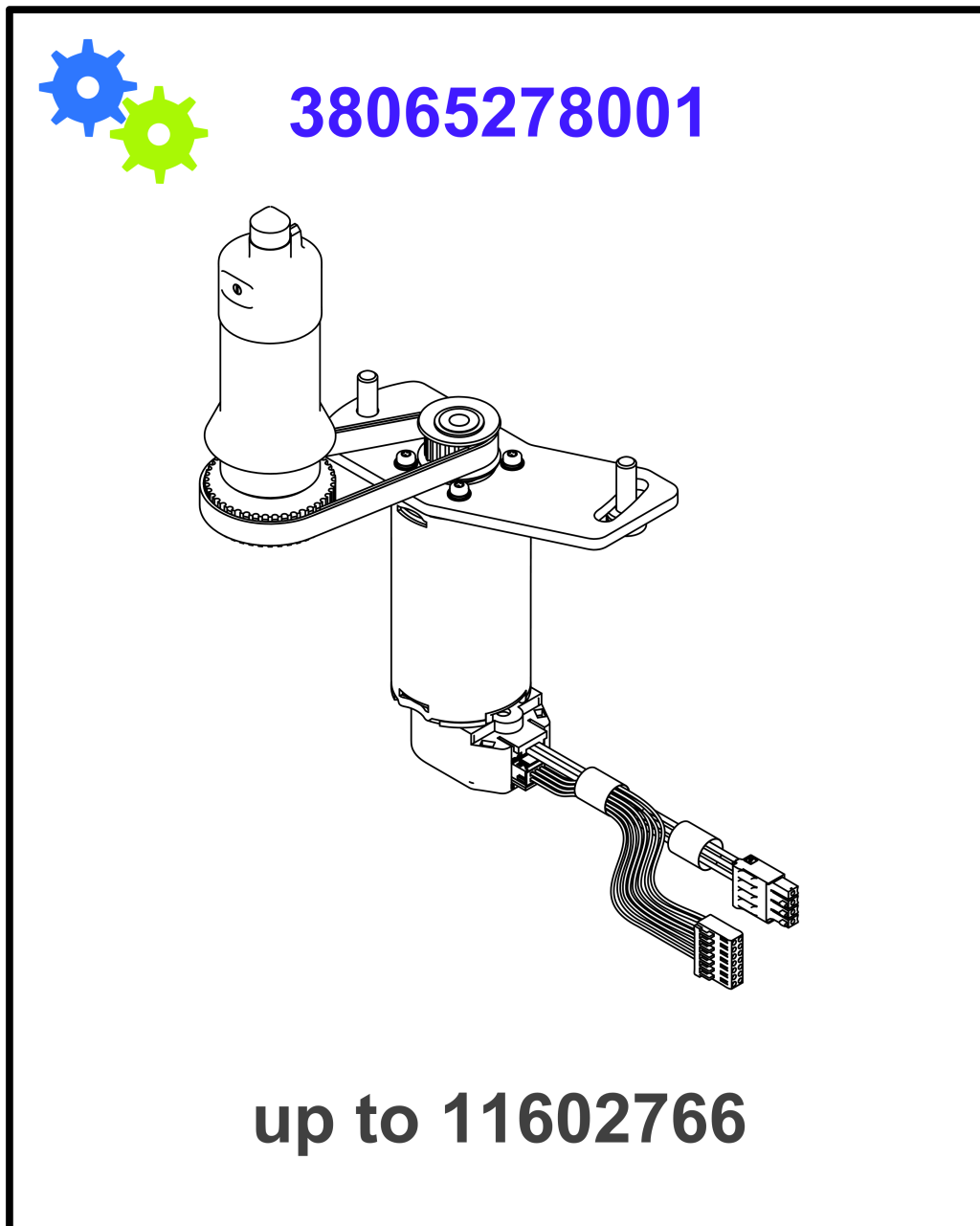


Paper Holder long cpl

Material No.	Qty	Material description
60540402801	2	silicone tube

available for order
Wear part
Recomm. sp. part
Metr. relevance

Chain frame drive



Chain frame drive

Material No.	Qty	Material description
--------------	-----	----------------------

38065278001	1	Drive Chainframe cpl
-----------------------------	---	----------------------

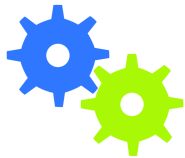
available for order

Wear part

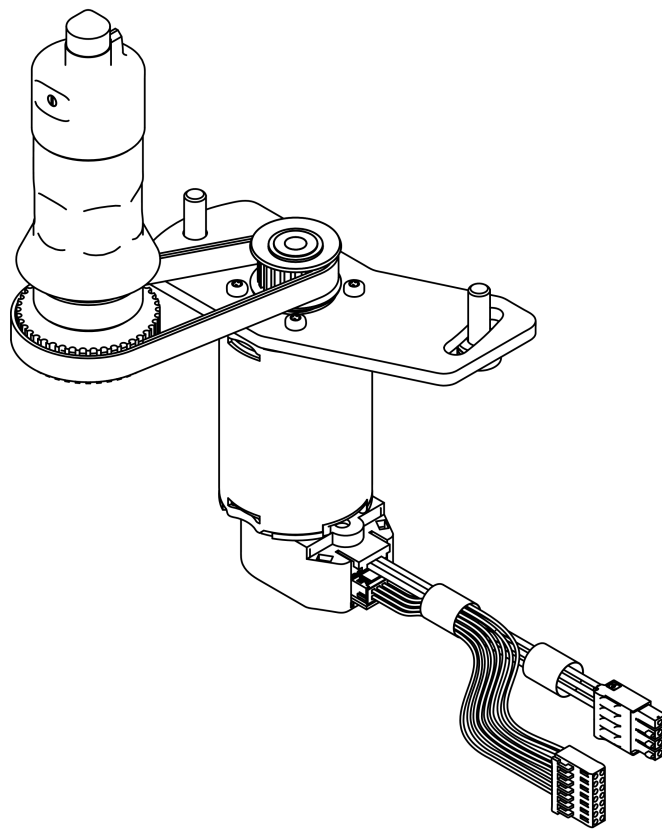
Recomm. sp. part

Metr. relevance

Chain frame drive



38065278002



as from 11602767

Chain frame drive

Material No.	Qty	Material description
--------------	-----	----------------------

38065278002	1	Drive Chainframe cpl
-----------------------------	---	----------------------

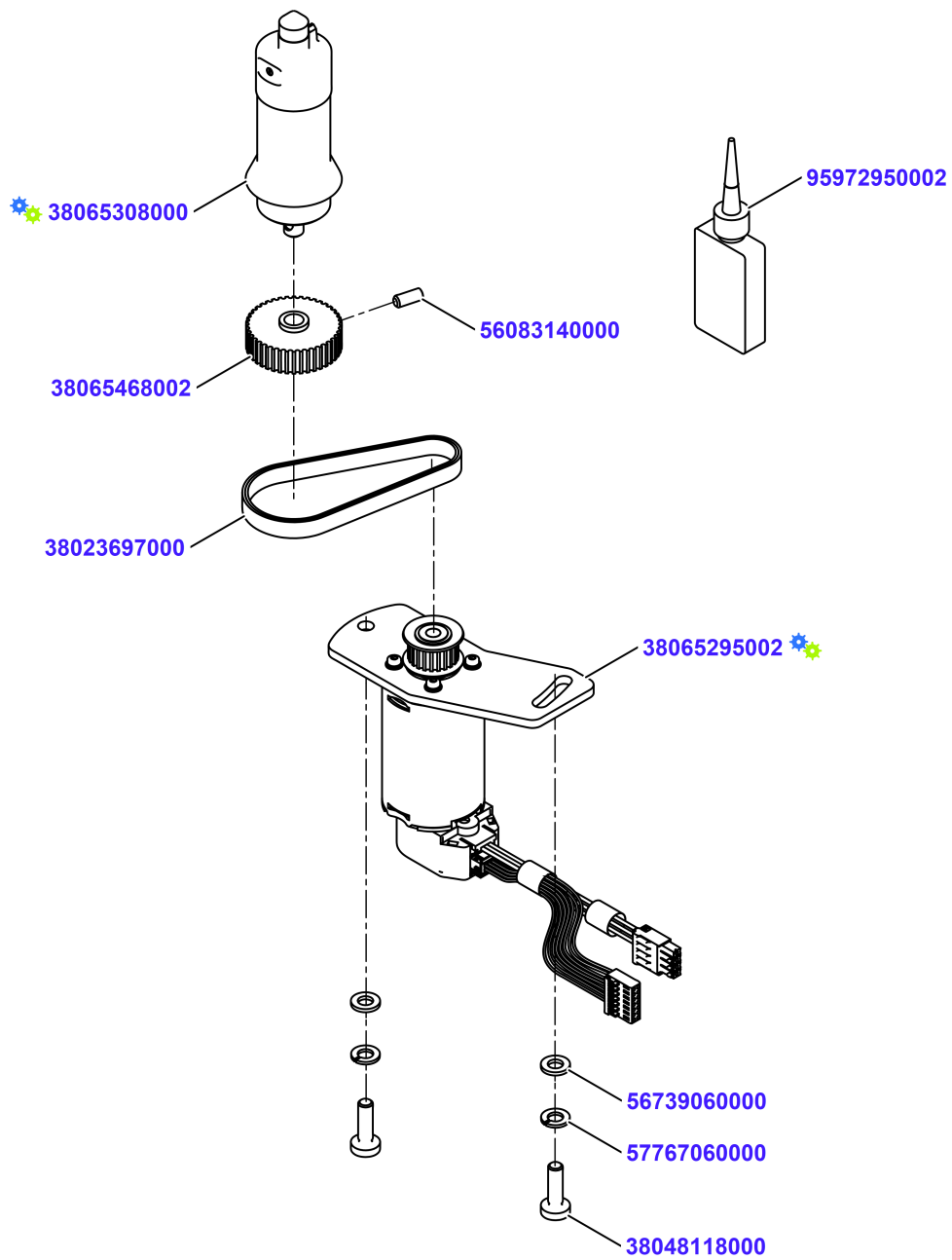
available for order

Wear part

Recomm. sp. part

Metr. relevance

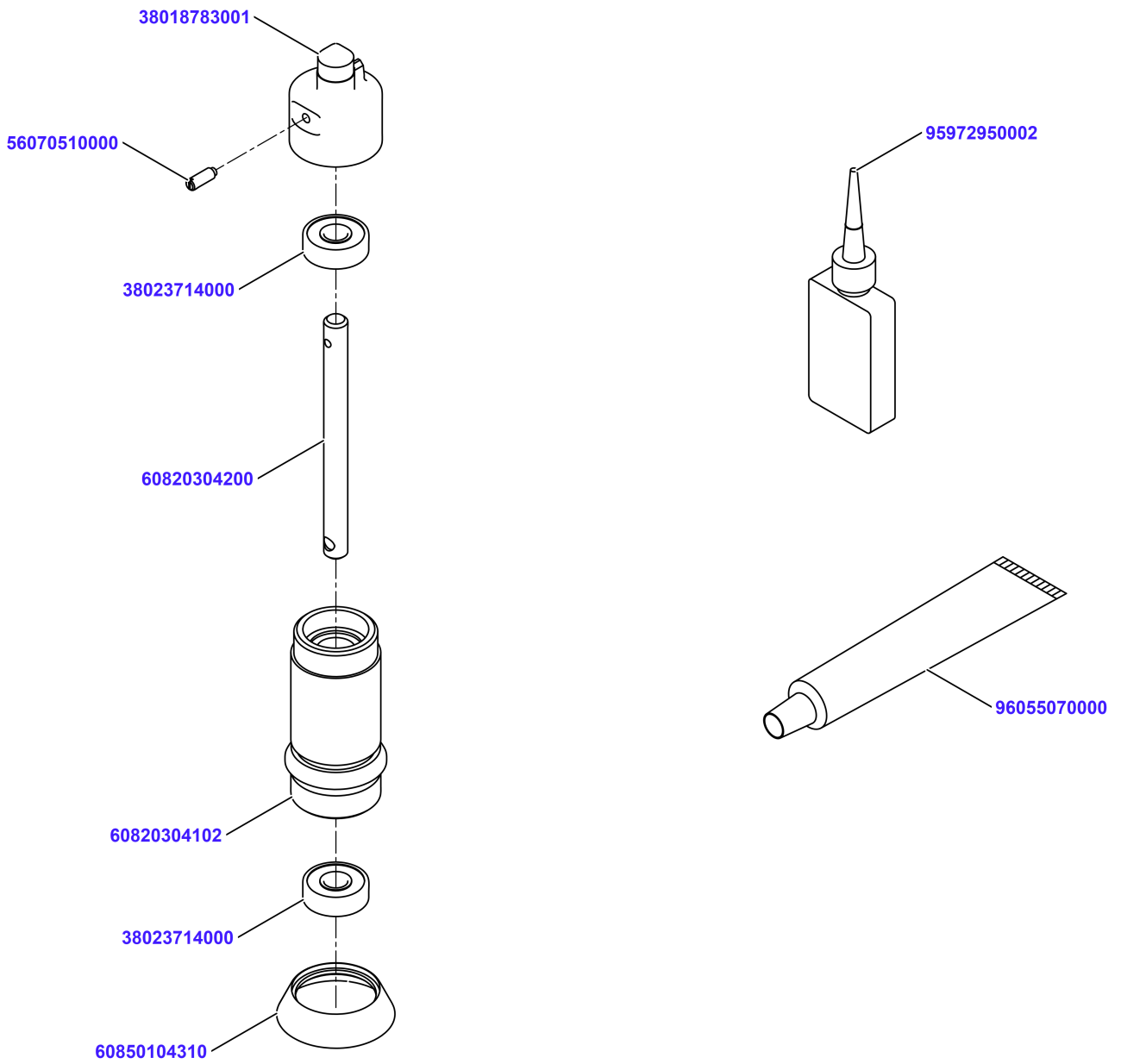
Drive Chainframe cpl



Drive Chainframe cpl

Material No.	Qty	Material description	available for order	Wear part	Recomm. sp. part	Metr. relevance
38065295002	1	Chaindrive preass	✓			
38048118000	2	Oval-head screw ISO14583 M6x20-A2-70-T30	✓			
56739060000	2	Washer DIN125-A-6-A2	✓			
57767060000	2	Spring lock washer DIN128-A6-FSt	✓			
38065308000	1	Chain Drive Shaft cpl	✓			
95972950002	0,001	Loctite 243 50 ml	✓			
38065468002	1	Belt Pulley Z 42 HTD 3M	✓			
56083140000	1	Set screw ISO4026 M5x12-A2-70	✓			
38023697000	1	Toothed belt 9 S3M3x225	✓	✓	✓	

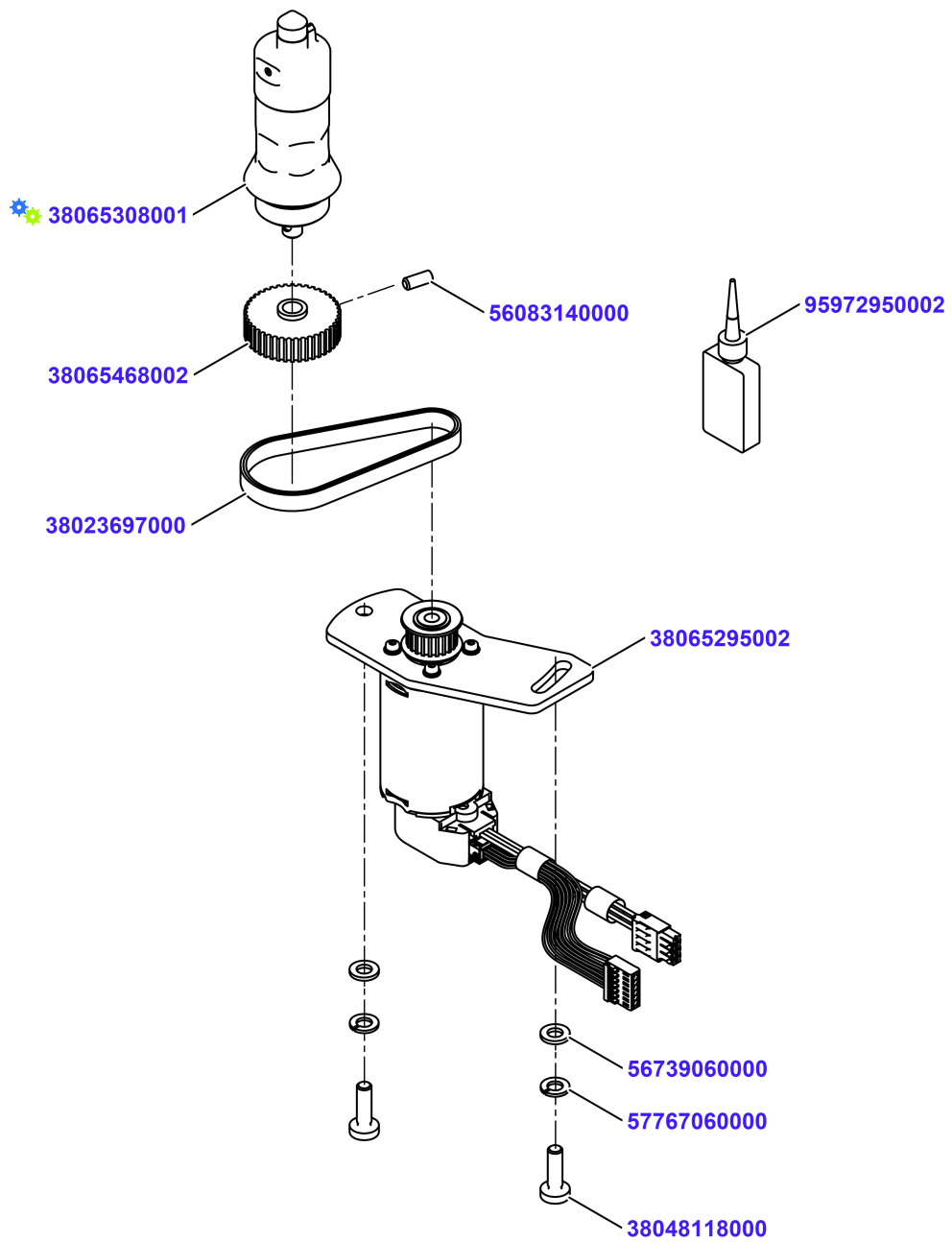
Chain Drive Shaft cpl



Chain Drive Shaft cpl

Material No.	Qty	Material description	available for order	Wear part	Recomm. sp. part	Metr. relevance
60820304102	1	SPINDLE (STANDARD)				
38023714000	2	Grooved ball bearing DIN625 8x22x7				
96055070000	0,001	Grease PARALIQ GA 343				
60820304200	1	DRIVE SHAFT				
38018783001	1	Driving Pin				
56070510000	1	Set screw DIN926 M4x10-A2-70				
95972950002	0,001	Loctite 243 50 ml				
60850104310	1	SEALING				

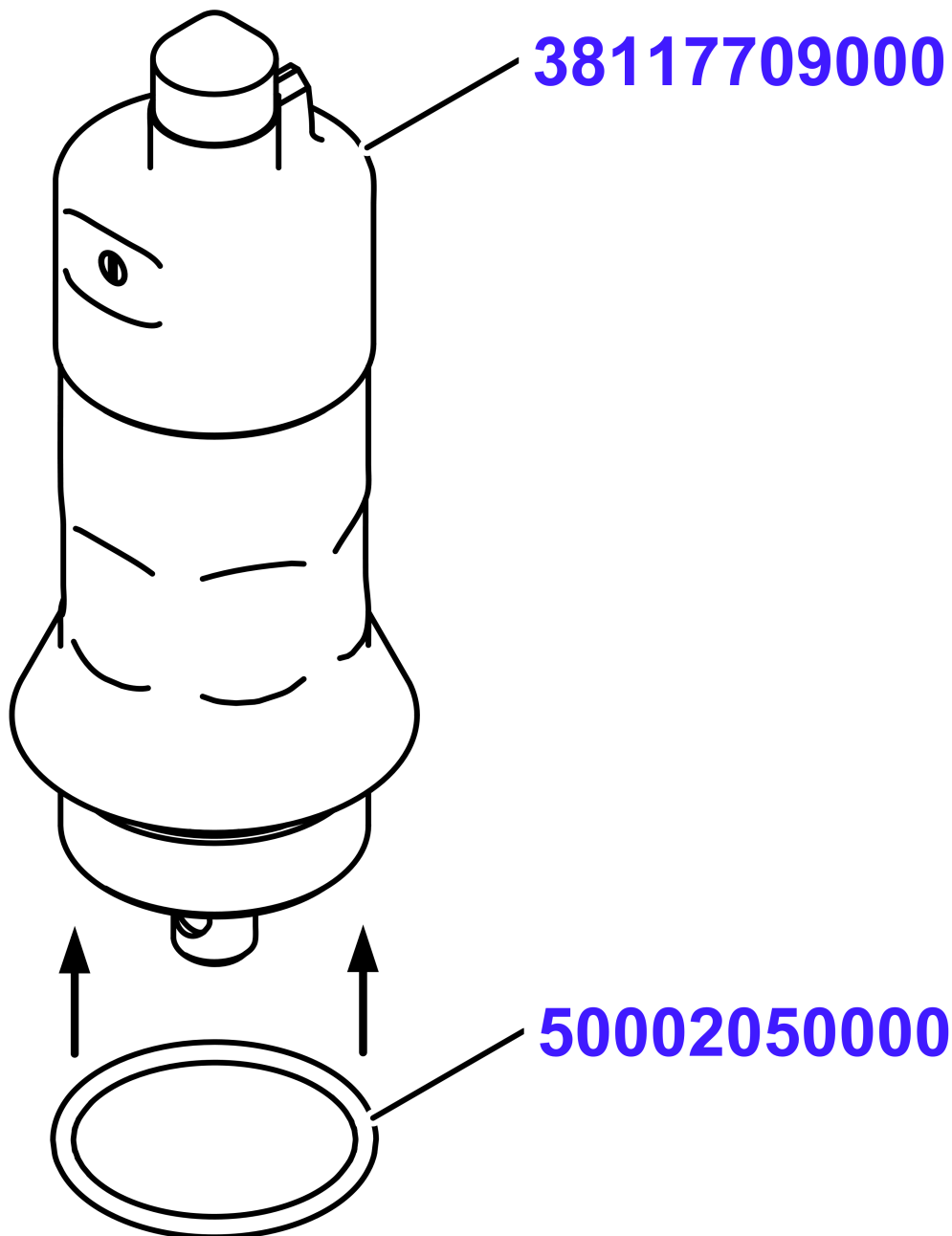
Drive Chainframe cpl



Drive Chainframe cpl

Material No.	Qty	Material description	available for order	Wear part	Recomm. sp. part	Metr. relevance
38065295002	1	Chaindrive preass	✓			
38048118000	2	Oval-head screw ISO14583 M6x20-A2-70-T30	✓			
56739060000	2	Washer DIN125-A-6-A2	✓			
57767060000	2	Spring lock washer DIN128-A6-FSt	✓			
38065308001	1	Chain Drive Shaft cpl	✓			
95972950002	0,001	Loctite 243 50 ml	✓			
38065468002	1	Belt Pulley Z 42 HTD 3M	✓			
56083140000	1	Set screw ISO4026 M5x12-A2-70	✓			
38023697000	1	Toothed belt 9 S3M3x225	✓	✓	✓	

Chain Drive Shaft cpl

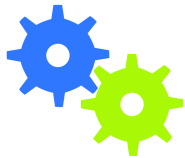


Chain Drive Shaft cpl

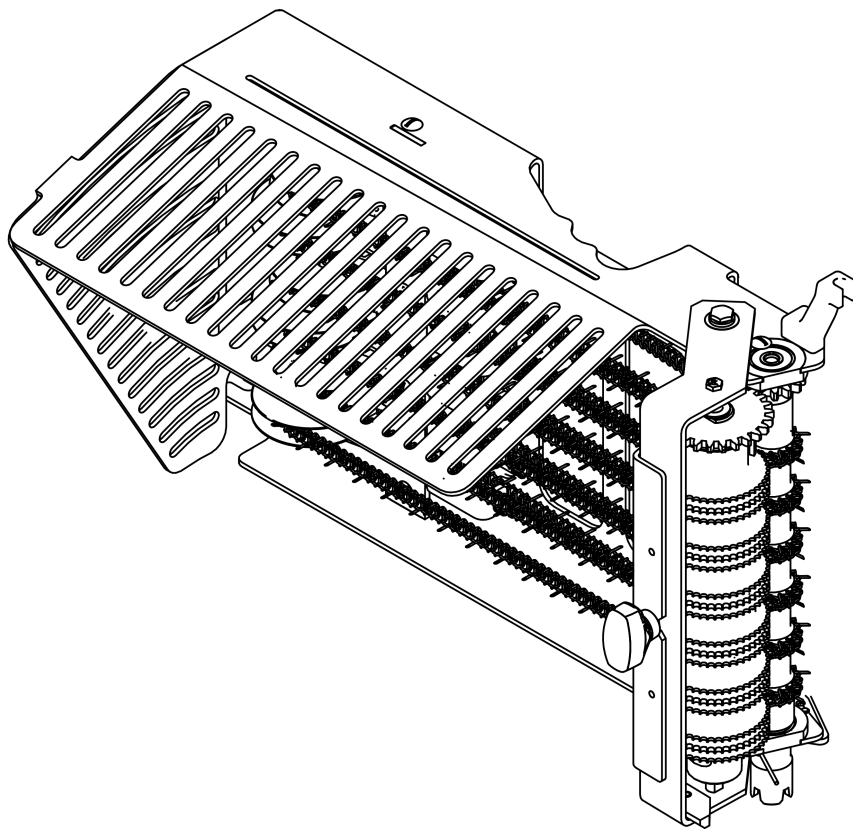
Material No.	Qty	Material description
38117709000	1	Chain Drive Shaft preass
50002050000	1	O-ring DIN3771 27,5x2 NBR

available for order
Wear part
Recomm. sp. part
Metr. relevance

Chain frame+shaving deflector




38059028010



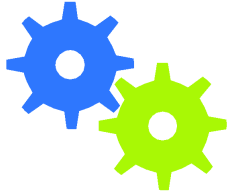
up to 11867701

Chain frame+shaving deflector

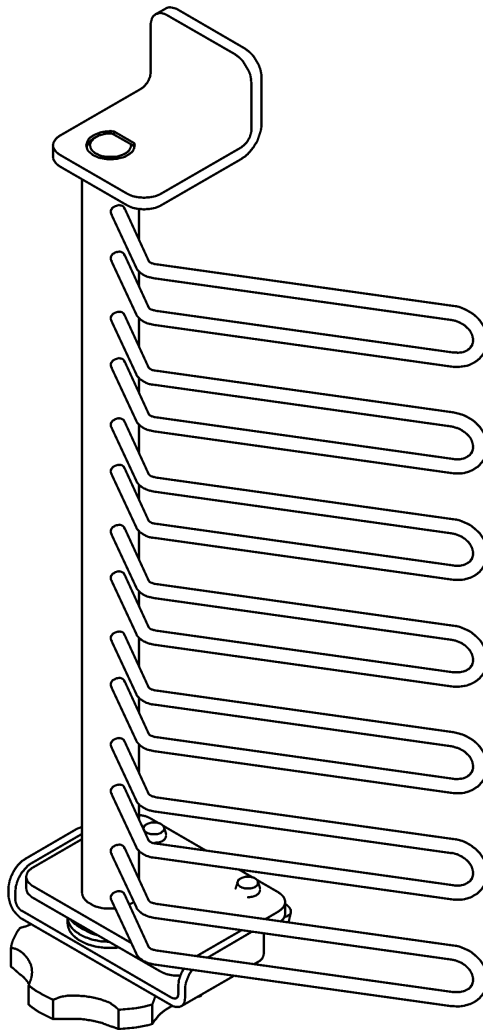
Material No.	Qty	Material description
38059028010	1	Chainframe stainless cpl. VSI

	available for order
	Wear part
	Recomm. sp. part
	Metr. relevance

Chain frame+shaving deflector



38080991001

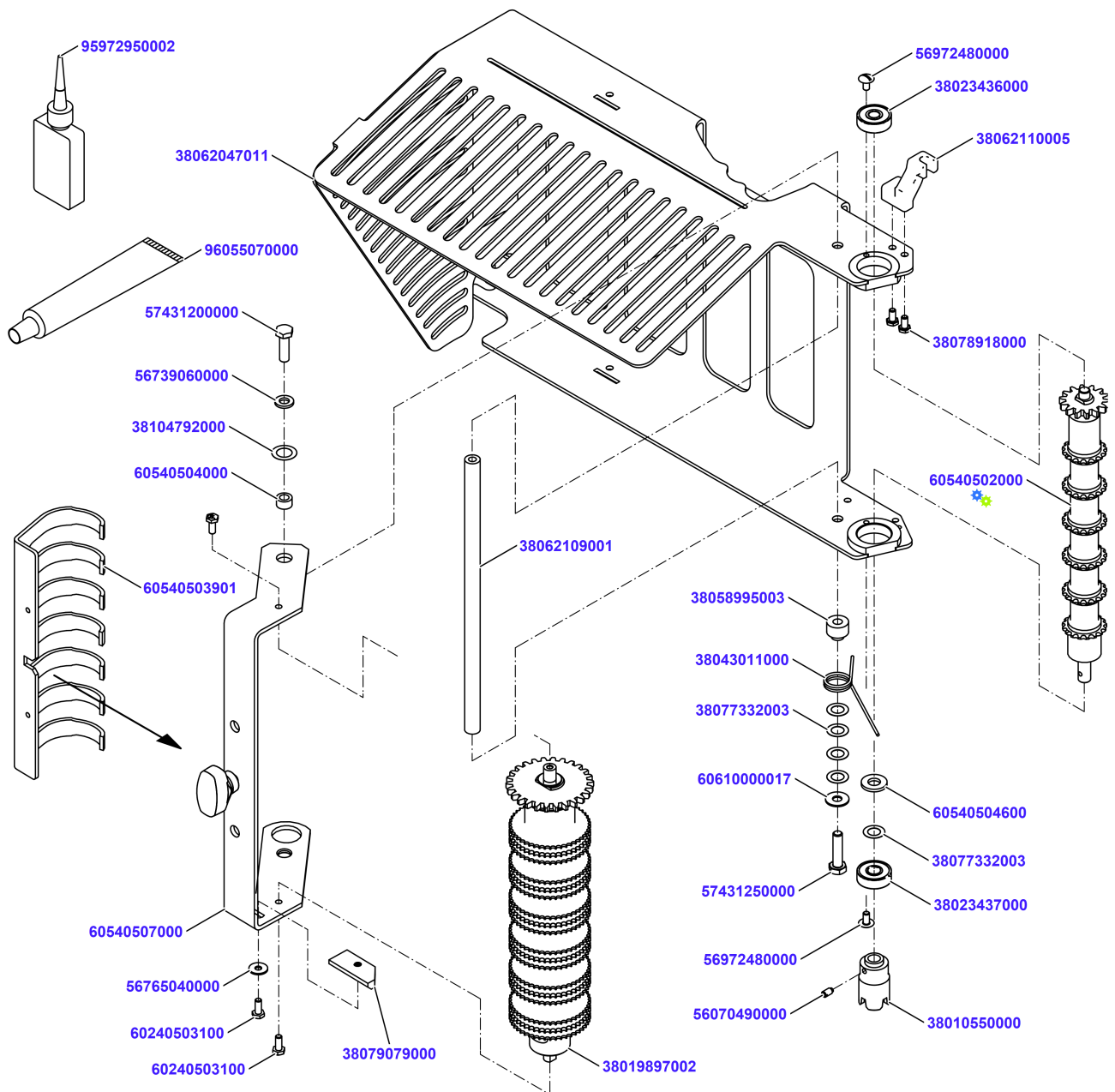


Chain frame+shaving deflector

available for order
Wear part
Recomm. sp. part
Metr. relevance

Material No.	Qty	Material description
38080991001	1	Shaving Deflector

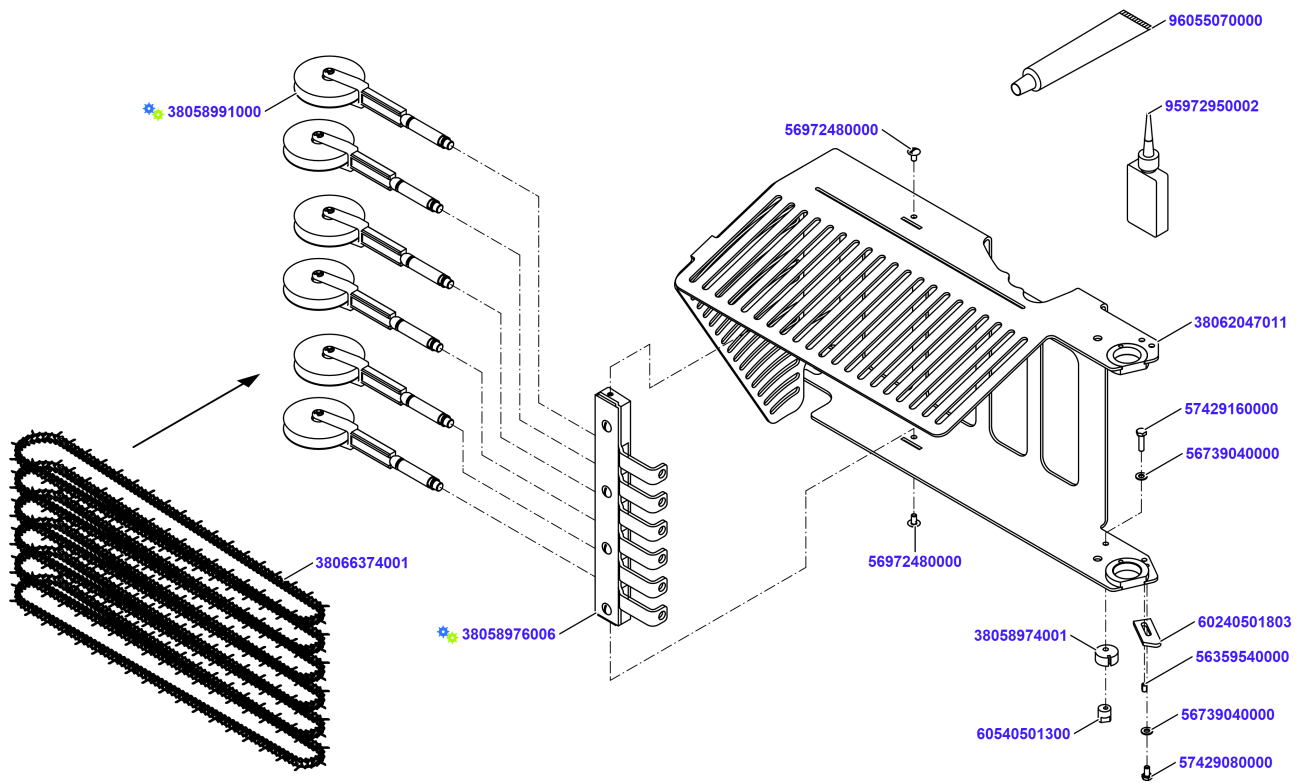
Chainframe stainless cpl. VSI



Chainframe stainless cpl. VSI

Material No.	Qty	Material description	available for order	Wear part	Recomm. sp. part	Metr. relevance
38062047011	1	Frame cpl. VSI	✓			
38023436000	1	GROOVED BALL BEARING 627 2RSVA WITH BARR	✓			
38023437000	1	Grooved Ball Bearing 608 2RSVA with Barr	✓			
95972950002	0,001	Loctite 243 50 ml	✓			
56972480000	2	Mushroom head screw M4x8-A2-70 Tuflok	✓			
60540502000	1	PLASTIC ROLLER WHEEL CPL.	✓			
60540504600	1	cover plate	✓			
38077332003	1	Thrusted washer 13,8x8,2x0,18	✓			
56972480000	2	Mushroom head screw M4x8-A2-70 Tuflok	✓			
38010550000	1	CAM SLEEVE PREASS	✓			
56070490000	1	Set screw DIN926 M4x6-A2-70	✓			
96055070000	0,001	Grease PARALIQ GA 343	✓			
38019897002	1	Plastic roller cpl	✓			
60540507000	1	bracket cpl.	✓			
60240503100	2	Hexagon screw DIN 933 M4x10-A2-70	✓			
38062109001	1	Distance Piece	✓			
60540504000	1	sleeve	✓			
38104792000	1	Shim ring DIN988-10x16x0,1	✓			
56739060000	1	Washer DIN125-A-6-A2	✓			
57431200000	1	Hexagon screw DIN933 M6x20 A2-70	✓			
38058995003	1	Bushing	✓			
38043011000	1	Torsion Spring	✓			
38077332003	4	Thrusted washer 13,8x8,2x0,18	✓			
60610000017	1	washer	✓			
57431250000	1	Hexagon screw DIN933 M6x25 A2-70	✓			
38079079000	1	Driver	✓			
60240503100	1	Hexagon screw DIN 933 M4x10-A2-70	✓			
56765040000	1	Washer DIN9021-4-A2	✓			
60540503901	1	guide cam	✓			
38062110005	1	Fixing mach Schubert-Salzer	✓			
38078918000	2	Hexagon Screw M4x8 A2-70 rounded head	✓			

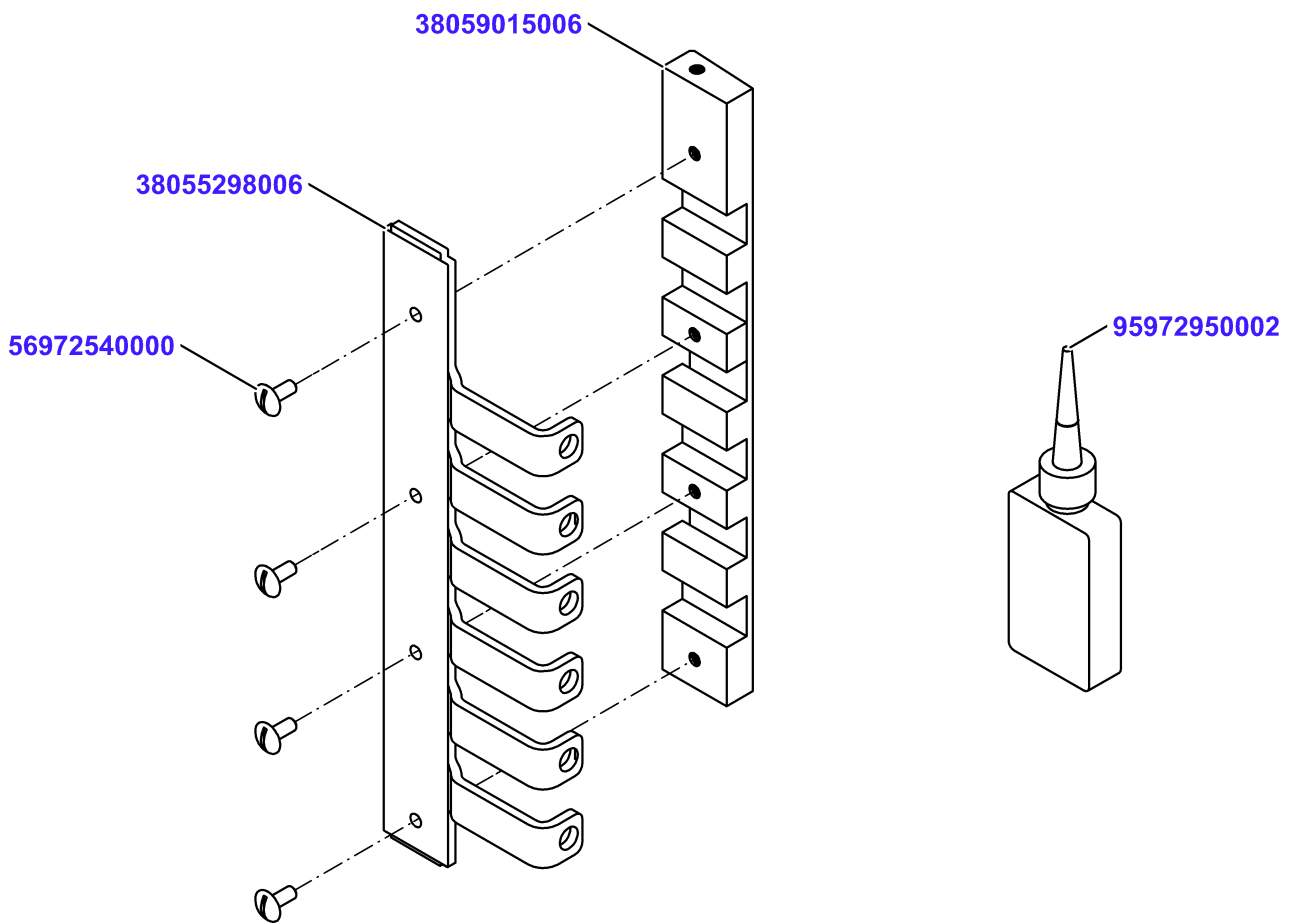
Chainframe stainless cpl. VSI







Chainframe stainless cpl. VSI

Material No.	Qty	Material description	available for order	Wear part	Recomm. sp. part	Metr. relevance
38062047011	1	Frame cpl. VSI	✓			
38058974001	1	Tappet	✓			
60540501300	1	stop	✓			
57429160000	1	Hexagon screw DIN933 M4x16 A2-70	✓			
56739040000	1	Washer DIN125-A 4.3-A2-70	✓			
95972950002	0,001	Loctite 243 50 ml	✓			
38058976006	1	Slider Mounting cpl	✓			
56972480000	2	Mushroom head screw M4x8-A2-70 Tuflok	✓			
56972480000	2	Mushroom head screw M4x8-A2-70 Tuflok	✓			
38058991000	6	Slider cpl	✓			
96055070000	0,001	Grease PARALIQ GA 343	✓			
38066374001	6	Chain	✓	✓	✓	
60240501803	1	Driver 35x14x3	✓			
56359540000	1	Grooved Pin DIN 1473-4x6-A2-70	✓			
57429080000	1	Hexagon screw DIN933 M4x8 A2-70	✓			
56739040000	1	Washer DIN125-A 4.3-A2-70	✓			

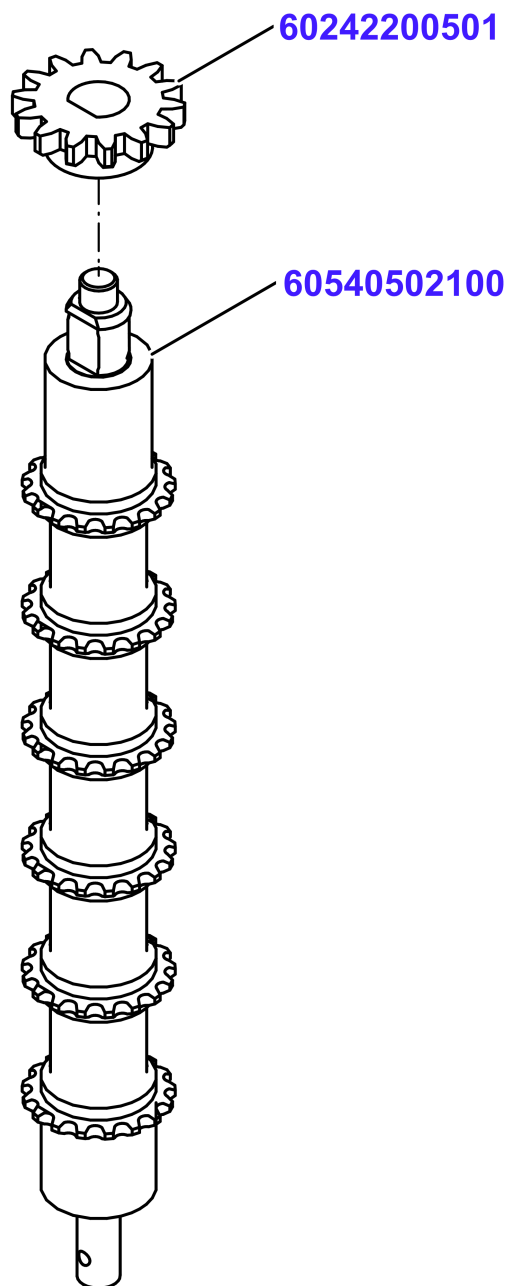
Slider Mounting cpl



Slider Mounting cpl

Material No.	Qty	Material description	available for order	Wear part	Recomm. sp. part	Metr. relevance
38059015006	1	Slider Mounting				
38055298006	1	Plate				
56972540000	4	Mushroom head screw M4x10-A2-70				
95972950002	0,001	Loctite 243 50 ml				

PLASTIC ROLLER WHEEL CPL.

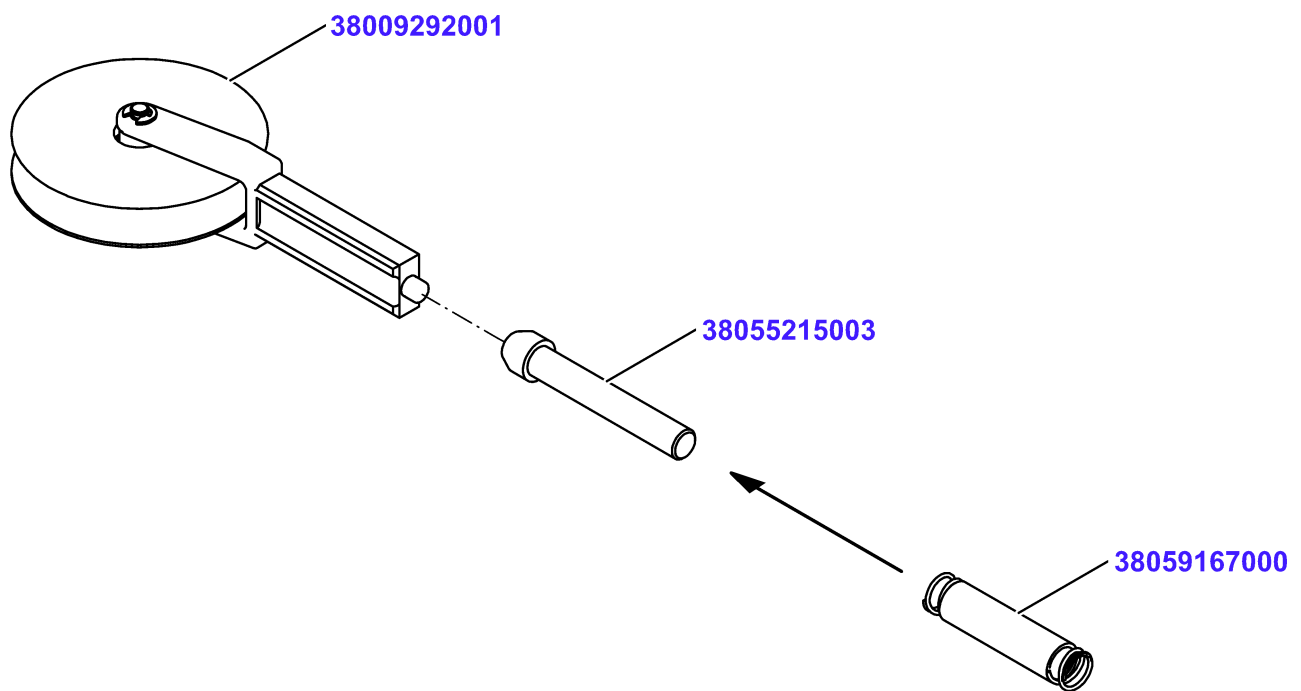


PLASTIC ROLLER WHEEL CPL.

Material No.	Qty	Material description
60540502100	1	PLASTIC ROLLER WHEEL, PREASSEMBLED
60242200501	1	gear wheel for drive roller

available for order	Wear part	Recomm. sp. part	Metr. relevance

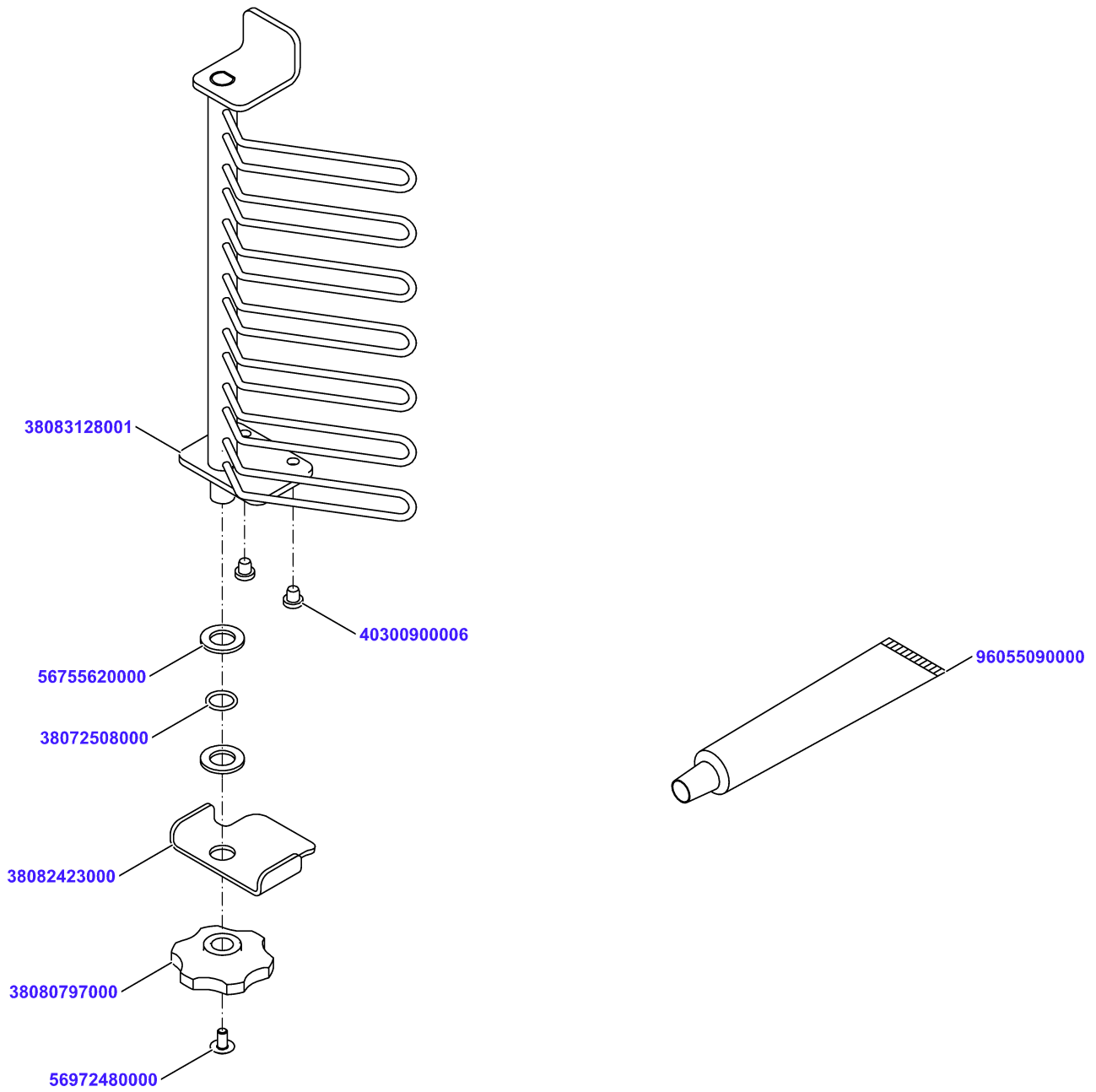
Slider cpl



Slider cpl

Material No.	Qty	Material description	available for order	Wear part	Recomm. sp. part	Metr. relevance
38009292001	1	Slider prem				
38055215003	1	Bolt				
38059167000	1	Comp. spring 9,5x7,7x43x13,49-0,86				

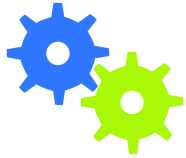
Shaving Deflector



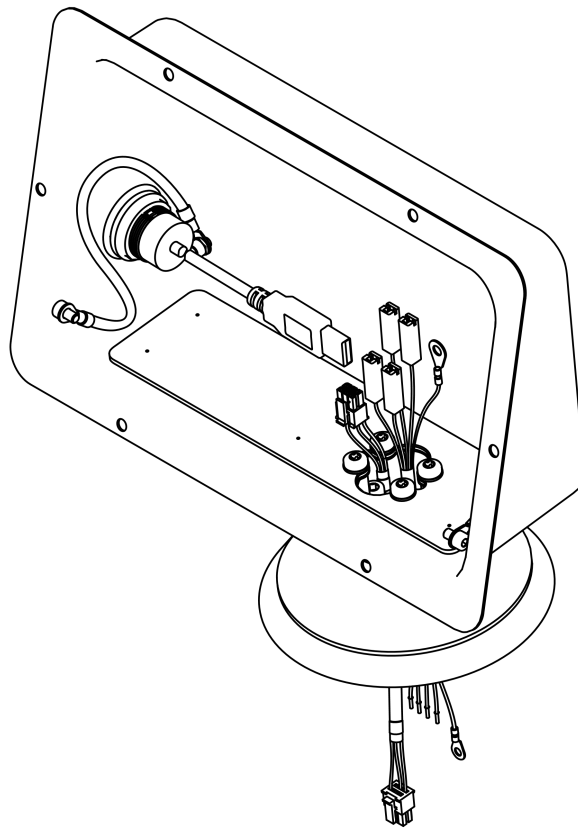
Shaving Deflector

Material No.	Qty	Material description	available for order	Wear part	Recomm. sp. part	Metr. relevance
38083128001	1	Shaft preassembled				
40300900006	2	slide pin				
38082423000	1	Clamping plate				
38072508000	1	O-ring 10x1,5 NBR				
56755620000	2	Washer DIN433-10-PA66				
38080797000	1	Star Knob				
96055090000	0,001	Assembly-paste Rivolta F.L.A. 100 ml				
56972480000	1	Mushroom head screw M4x8-A2-70 Tuflok				

Terminal



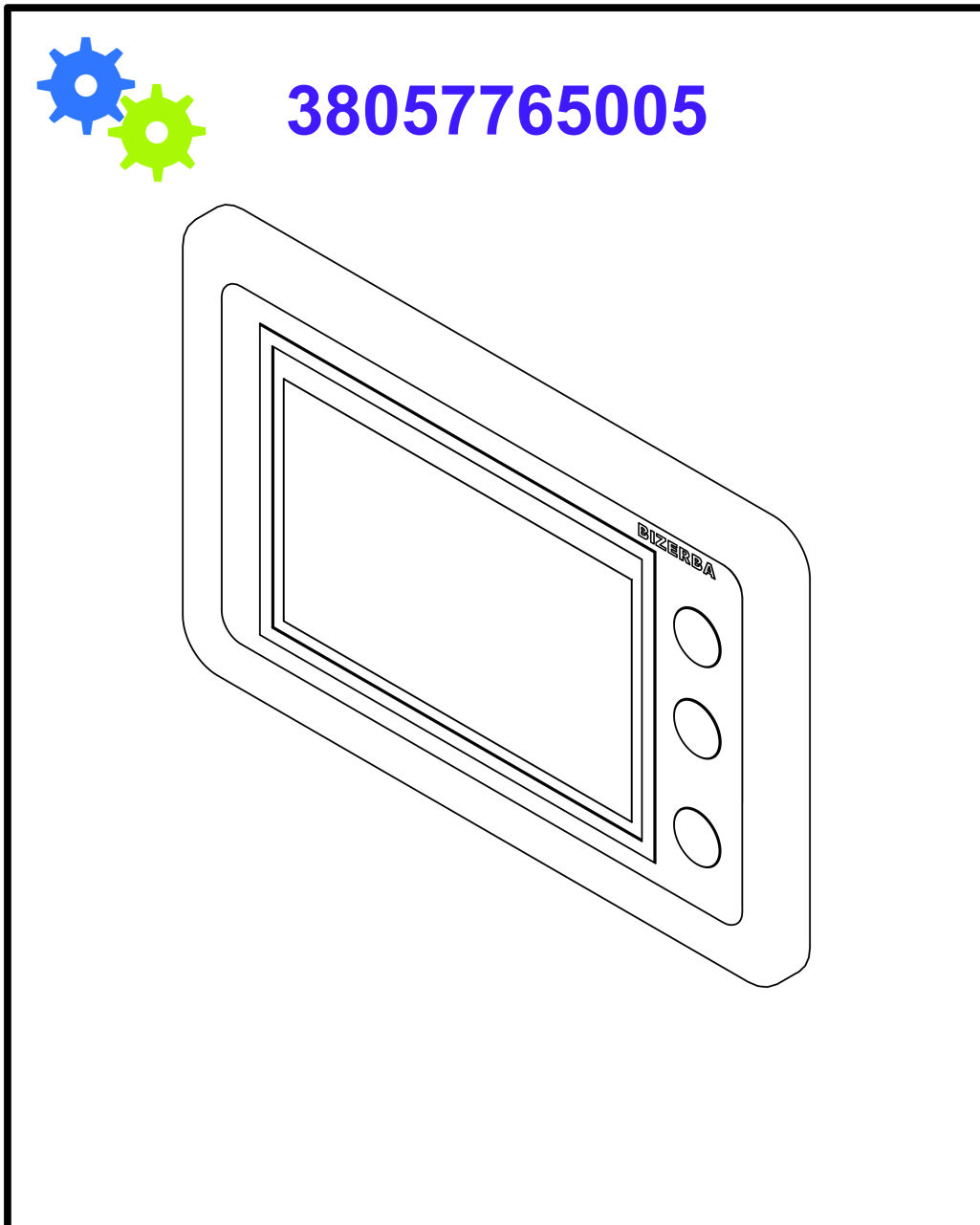
38057764007



Terminal

Material No.	Qty	Material description	available for order	Wear part	Recomm. sp. part	Metr. relevance
38057764007	1	Terminal Mounting Kit top cpl.				

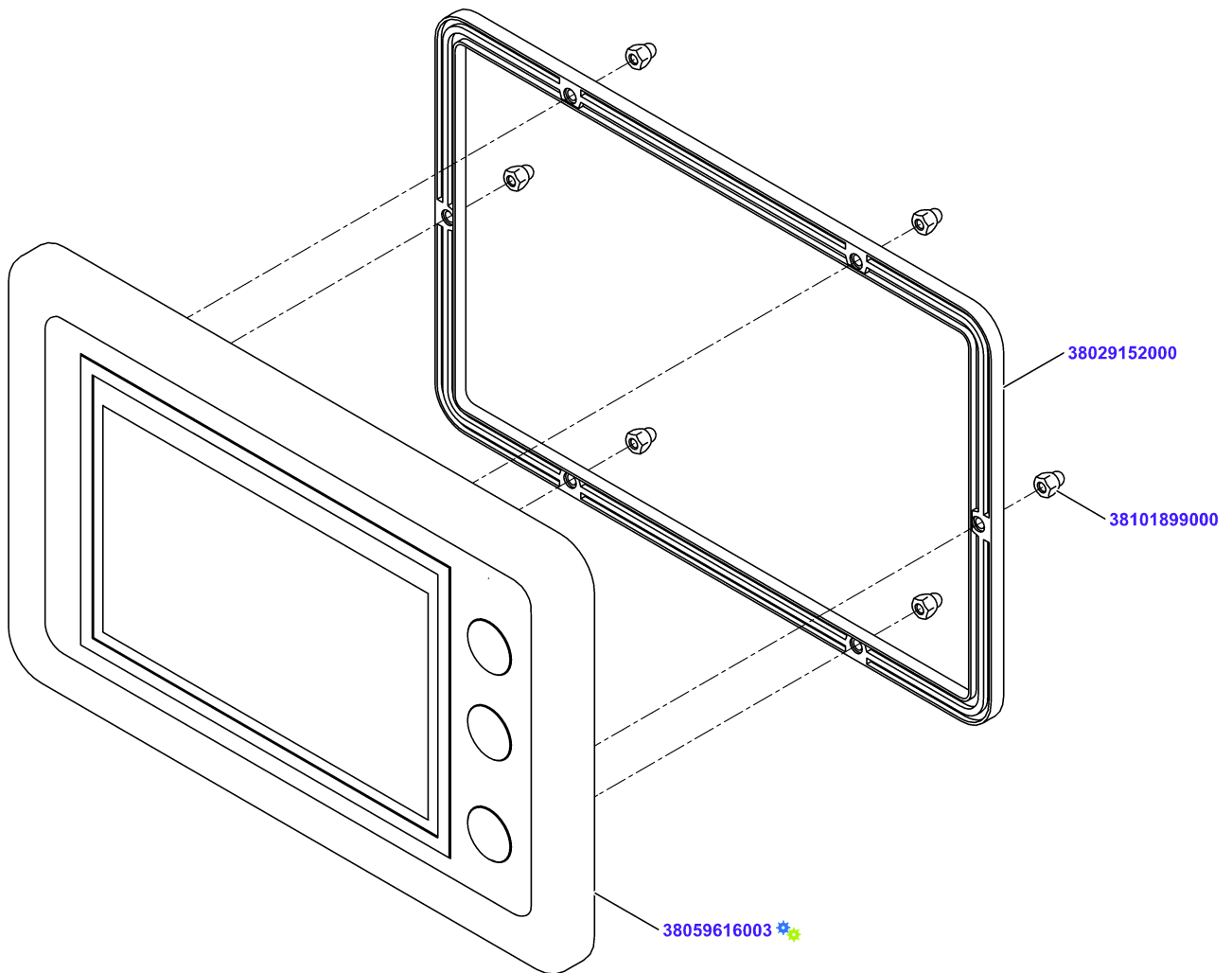
Terminal



Terminal

Material No.	Qty	Material description	available for order	Wear part	Recomm. sp. part	Metr. relevance
38057765005	1	Terminal Front cpl.				

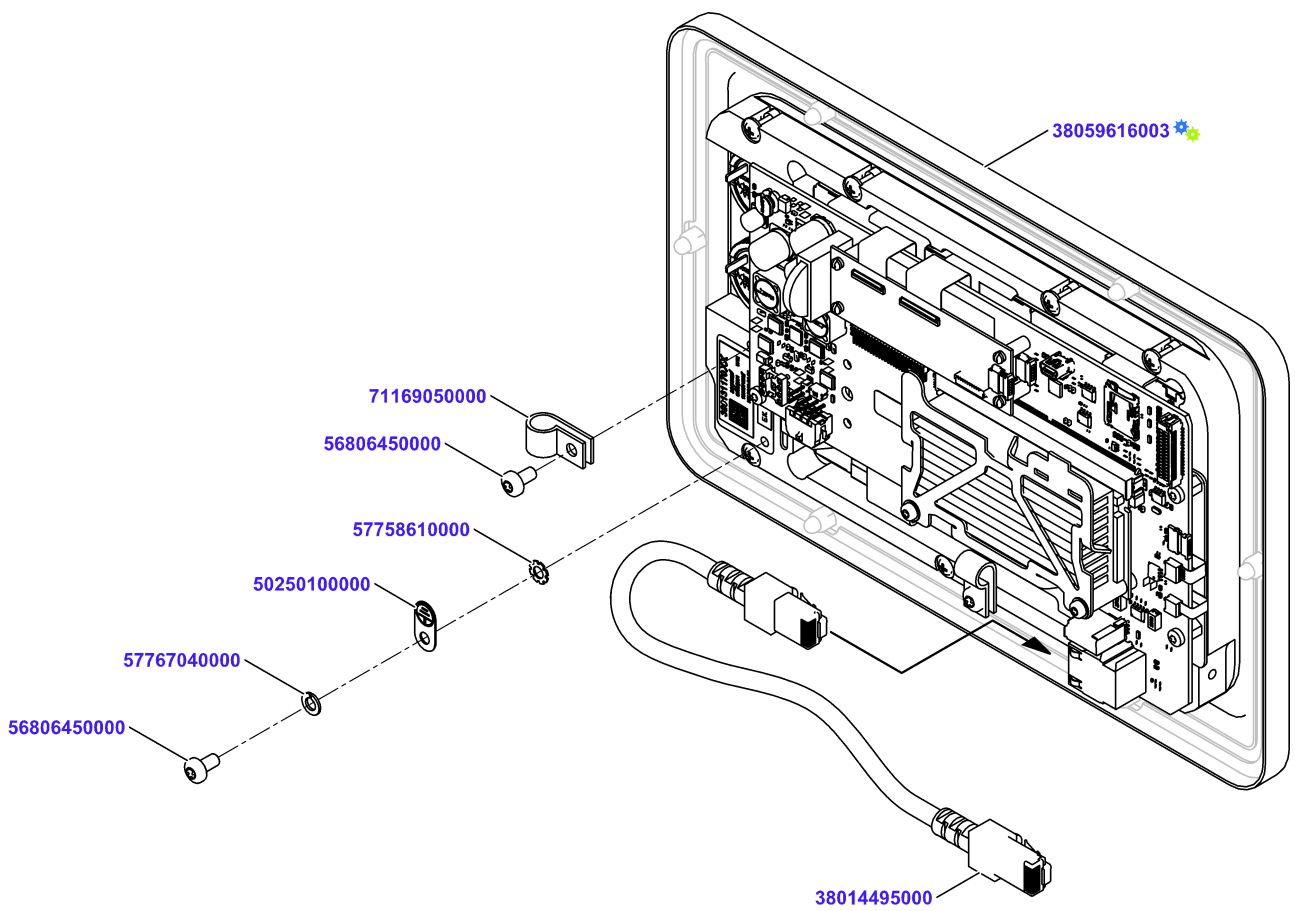
Terminal Front cpl.



Terminal Front cpl.

Material No.	Qty	Material description	available for order	Wear part	Recomm. sp. part	Metr. relevance
38059616003	1	Terminal Front and CPU				
38029152000	1	seal CT501				
38101899000	6	Cap nut DIN986-M4-A2				

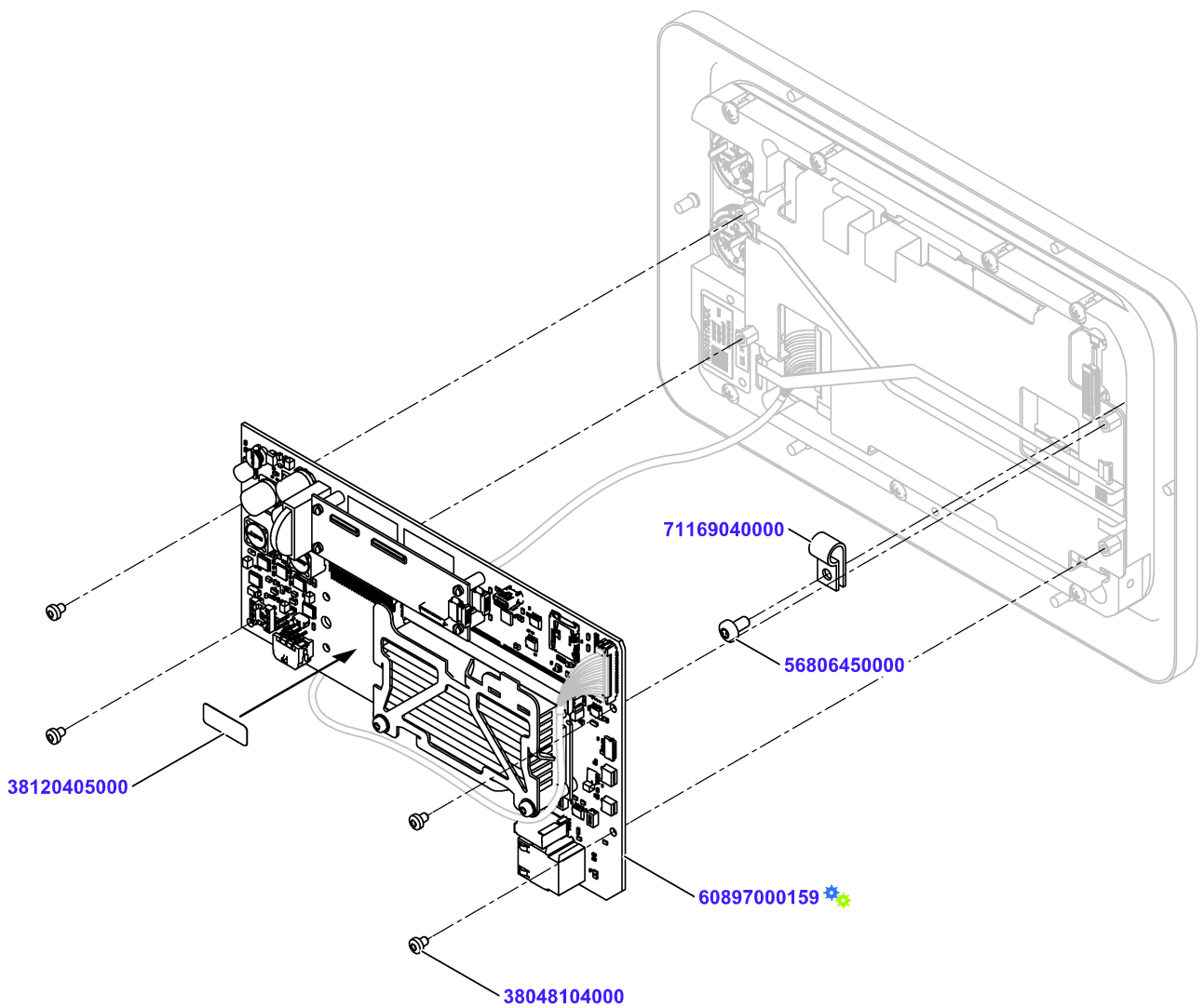
Terminal Front cpl.



Terminal Front cpl.

Material No.	Qty	Material description	available for order	Wear part	Recomm. sp. part	Metr. relevance
38059616003	1	Terminal Front and CPU				
71169050000	1	Cable Clamp nylon 7,4mm NK-5N				
56806450000	1	Oval-head screw ISO14583 M4x8-A2-70-T20				
50250100000	1	Grounding Plate 9x17/4.3 D				
56806450000	1	Oval-head screw ISO14583 M4x8-A2-70-T20				
57767040000	1	Spring lock washer DIN128-A4-FSt				
57758610000	1	Toothed washer DIN6797-A 4,3-Fst				
38014495000	1	Patchcable Cat 5e U-UTP UL 1,5m				

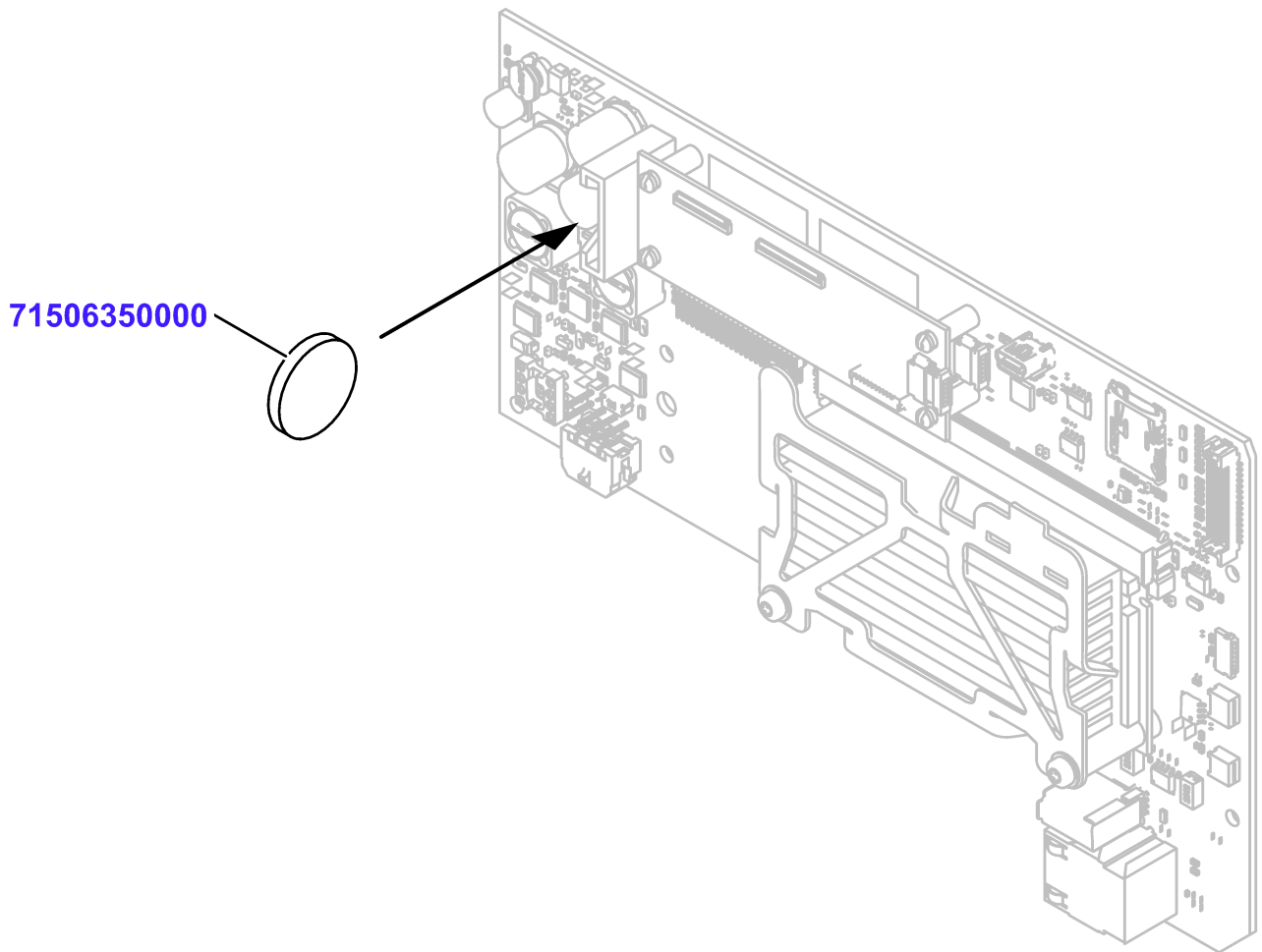
Terminal Front and CPU



Terminal Front and CPU




Material No.	Qty	Material description	available for order	Wear part	Recomm. sp. part	Metr. relevance
60897000159	1	Apalis carrierboard + iMX6 1GB Quad				
38120405000	1	Label Softw. License Win Compact 2013 GE	✓			
38048104000	4	Oval-head screw ISO14583 M3x4-A2-70-T10	✓			
56806450000	1	Oval-head screw ISO14583 M4x8-A2-70-T20	✓			
71169040000	1	Nylon-Clips NK-4N	✓			

Apalis carrierboard + iMX6 1GB Quad

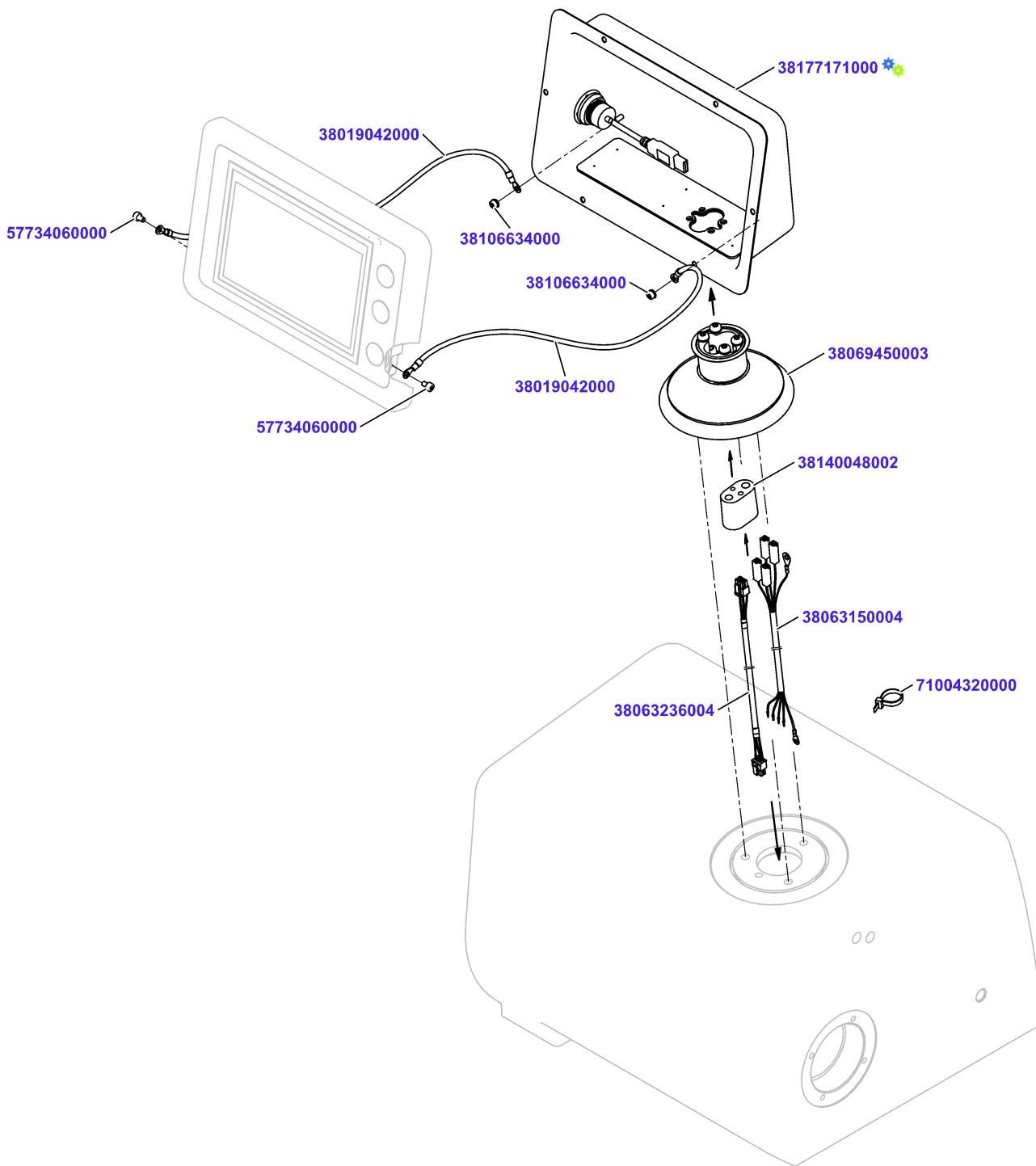


Apalis carrierboard + iMX6 1GB Quad

Material No.	Qty	Material description
71506350000	1	Battery Lithium Cell CR2032 UL

available for order	Wear part	Recomm. sp. part	Metr. relevance
			

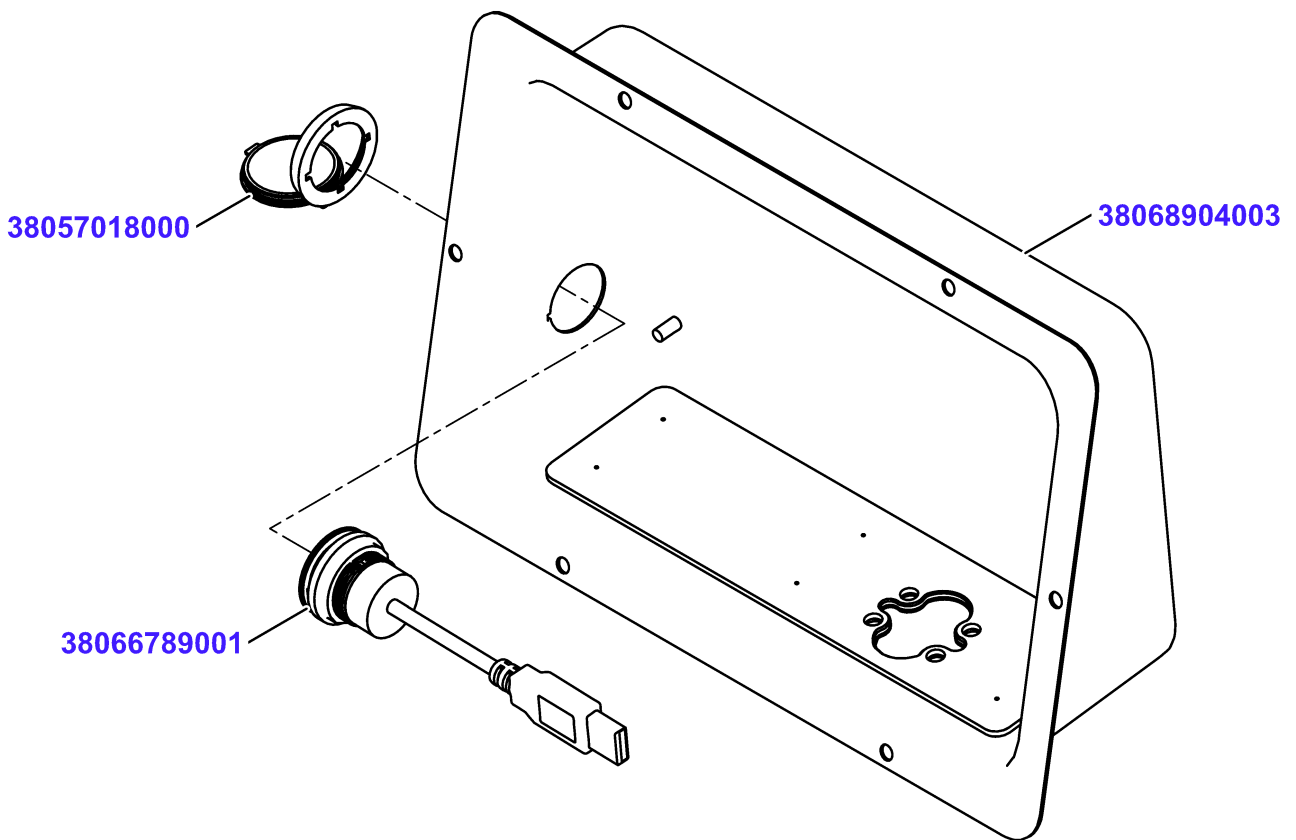
Terminal Mounting Kit top cpl.






Terminal Mounting Kit top cpl.

Material No.	Qty	Material description	available for order	Wear part	Recomm. sp. part	Metr. relevance
38177171000	1	Terminal Mounting Kit top preassy.				
38069450003	1	Mounting Kit top cpl	✓			
57734060000	2	Cylinder screw DIN912 M4x6-8.8	✓			
38106634000	2	Lock nut ISO10511-M4-A4	✓			
38063236004	1	Ka Rd 3x2x0,25 1,35m	✓			
38063150004	1	Ka Rd 5G0,5 1,65m	✓			
71004320000	1	Cable Tie T40R	✓			
38140048002	1	Plug for 18x33	✓	✓		
38019042000	2	Ka Li BK 0,200m	✓			

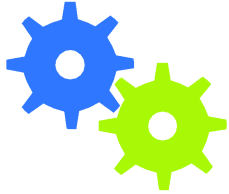
Terminal Mounting Kit top preassy.



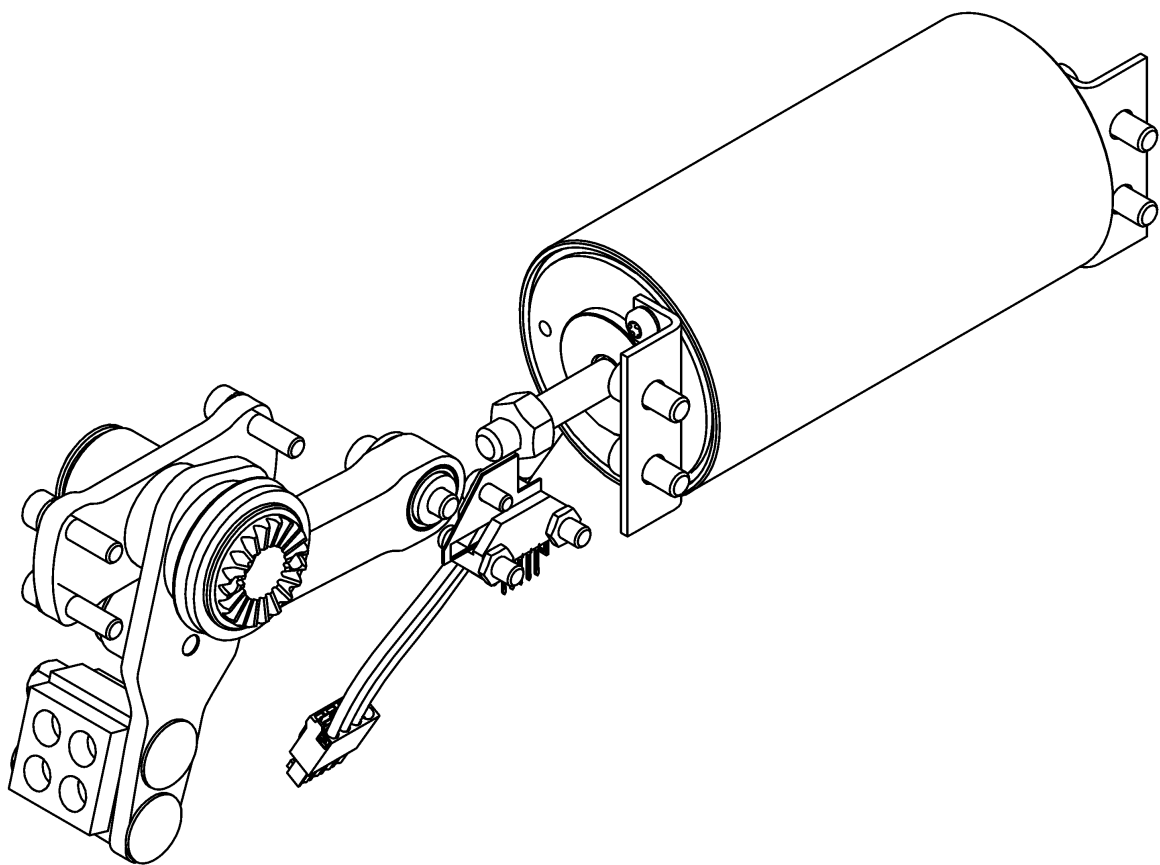
Terminal Mounting Kit top preassy.

Material No.	Qty	Material description	available for order	Wear part	Recomm. sp. part	Metr. relevance
38068904003	1	Housing, display 260,4 x 161,3 x 80,3				
38066789001	1	USB-Socket RRJ USB 0.28m				
38057018000	1	Protective cap AK22RRSW				

Drive depositing arm



38064681005



as from 11697371

Drive depositing arm

Material No.	Qty	Material description
--------------	-----	----------------------

38064681005	1	Depositing Drive cpl
-----------------------------	---	----------------------

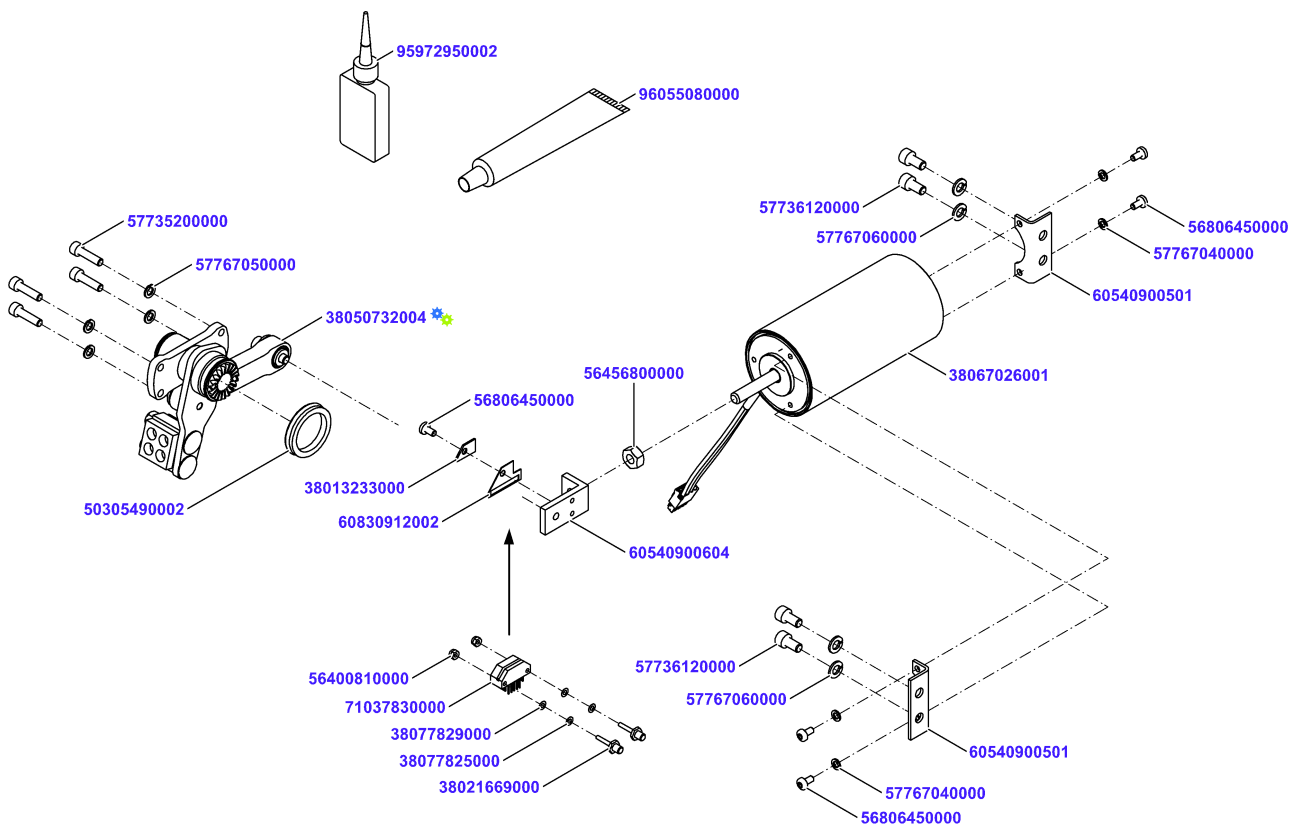
available for order

Wear part

Recomm. sp. part

Metr. relevance

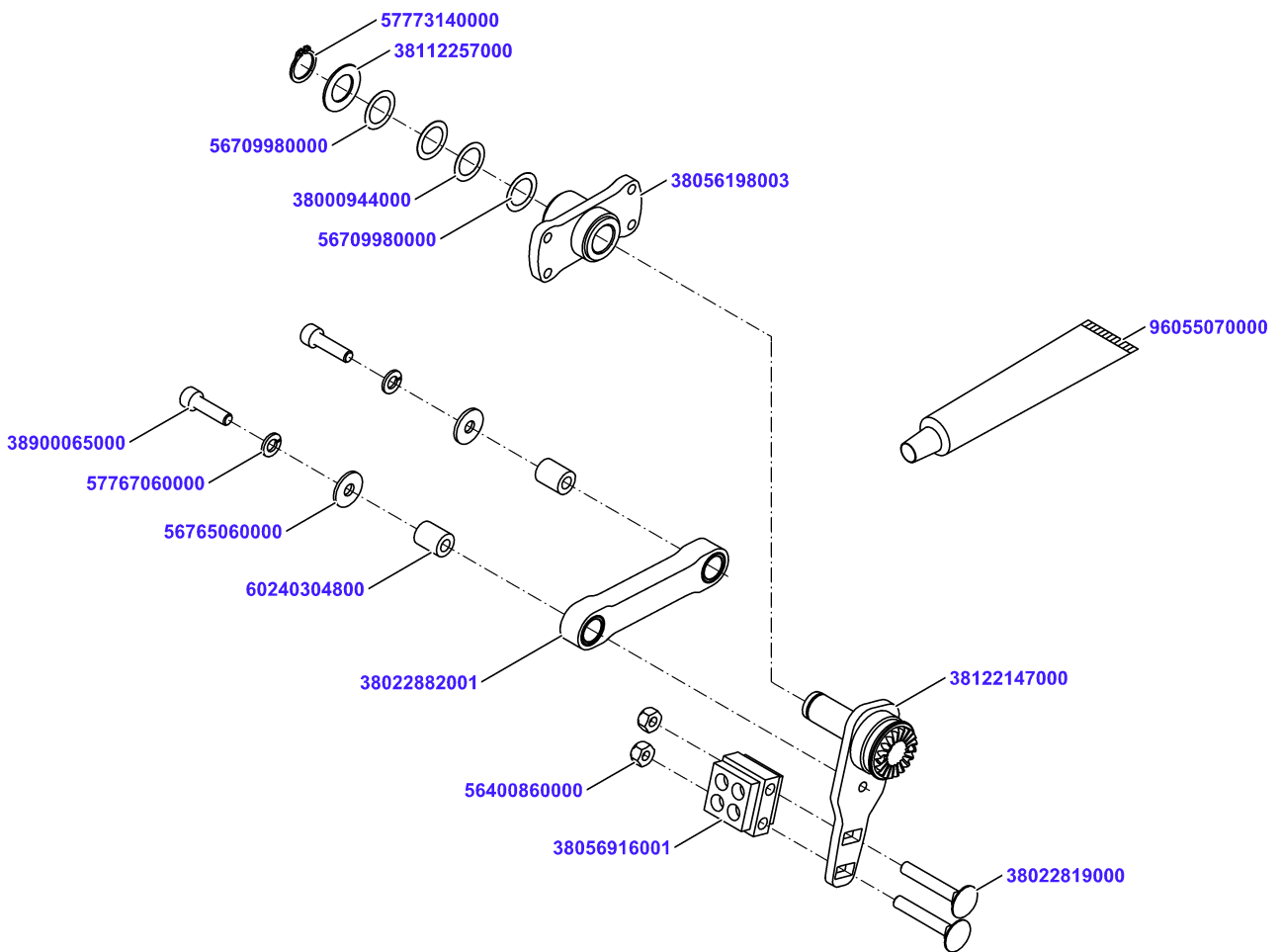
Depositing Drive cpl



Depositing Drive cpl

Material No.	Qty	Material description	available for order	Wear part	Recomm. sp. part	Metr. relevance
38067026001	1	Depositing Magnet	✓			
60540900501	2	holding bracket	✓			
56806450000	4	Oval-head screw ISO14583 M4x8-A2-70-T20	✓			
57767040000	4	Spring lock washer DIN128-A4-FSt	✓			
57736120000	4	Cylinder screw DIN912 M6x12-8.8	✓			
57767060000	4	Spring lock washer DIN128-A6-FSt	✓			
56456800000	1	Hexagon nut DIN934-M8-A2	✓			
60540900604	1	Angle	✓			
38050732004	1	Depositing Arm Lever cpl.	✓			
57735200000	4	Cylinder screw DIN912 M5x20-8.8	✓			
57767050000	4	Spring lock washer DIN128-A5-FSt	✓			
71037830000	1	Linear Increment Encoder HEDS 9200-300	✓		✓	
38021669000	2	Threaded flange bolt	✓			
95972950002	0,001	Loctite 243 50 ml	✓			
56400810000	2	Lock nut DIN985-M2,5-St	✓			
38077829000	2	Shim ring DIN988-3x6x0,1	✓			
38077825000	2	Shim ring DIN988-3x6x0,2	✓			
60830912002	1	Codestrip 4x26	✓		✓	
56806450000	1	Oval-head screw ISO14583 M4x8-A2-70-T20	✓			
38013233000	1	Support	✓			
50305490002	1	V-Sealing Ring 25x33x7,5 coated	✓			
96055080000	0,001	Kluebersynth UH1 64-62/25kg	✓			

Depositing Arm Lever cpl.



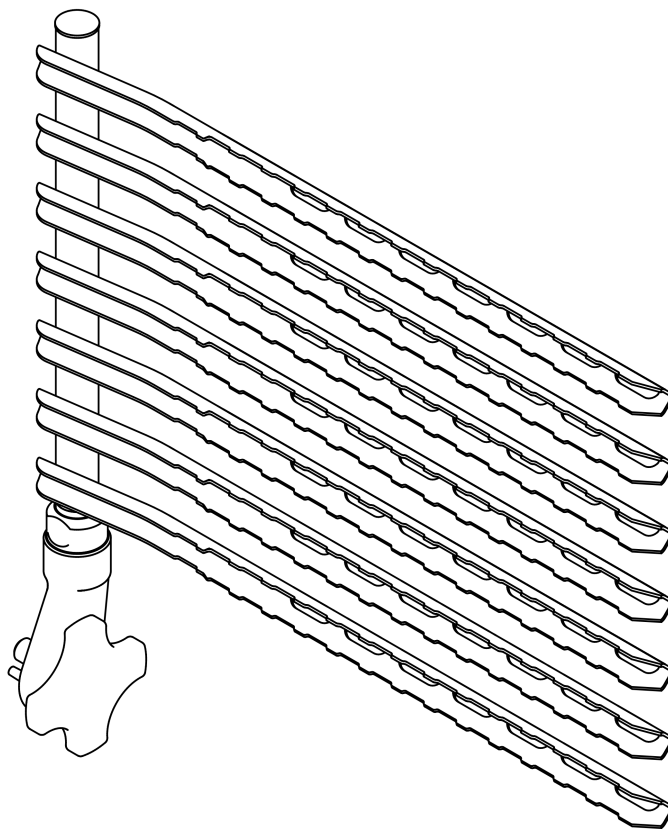
Depositing Arm Lever cpl.

Material No.	Qty	Material description	available for order	Wear part	Recomm. sp. part	Metr. relevance
38122147000	1	Depositing Arm Lever soldered	✓			
38056198003	1	Bearing Bushing preass	✓	✓	✓	
96055070000	0,001	Grease PARALIQ GA 343	✓			
57773140000	1	Retaining ring DIN471-14x1	✓			
56709980000	2	Shim ring DIN988-14x20x0,1	✓			
38000944000	2	Shim ring DIN988-14x20x0,15	✓			
38112257000	1	Washer 14.15x24x1	✓			
38056916001	1	stop cpl	✓	✓	✓	
38022819000	2	Mushroom head bolt DIN603 M6x40-A2-70	✓			
56400860000	2	Lock nut DIN985-M6-A2	✓			
38022882001	1	Connecting Rod preass	✓	✓	✓	
60240304800	2	Bushing 6,2 x 12f7 x 15	✓	✓	✓	
38900065000	2	Cylinder screw DIN912 M6x22-A2-70	✓			
57767060000	2	Spring lock washer DIN128-A6-FSt	✓			
56765060000	2	Washer DIN9021-6-A2	✓			

Depositing arm



38056697003



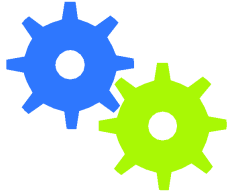
up to 11697370

Depositing arm

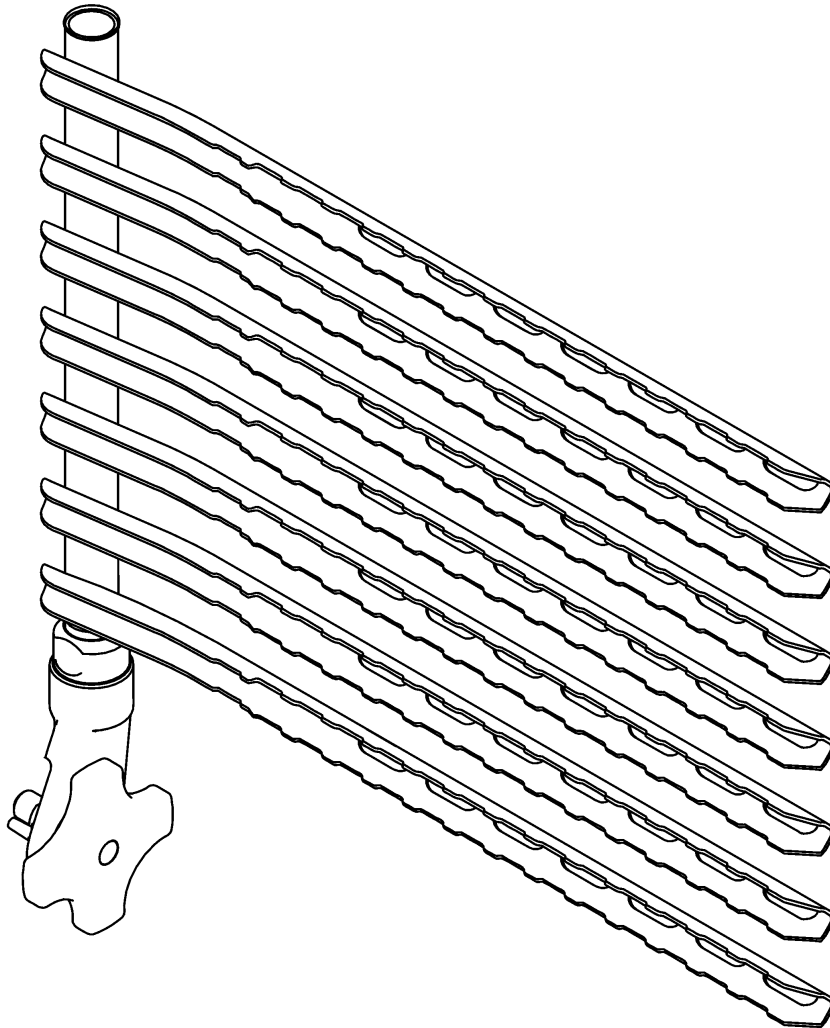
available for order
Wear part
Recomm. sp. part
Metr. relevance

Material No.	Qty	Material description
38056697003	1	Depositing Arm cpl

Depositing arm



38056697005



as from 11697371

Depositing arm

Material No.	Qty	Material description
--------------	-----	----------------------

38056697005	1	Depositing arm cpl
-----------------------------	---	--------------------

available for order

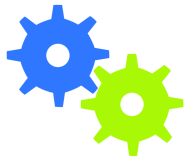
Wear part

Recomm. sp. part

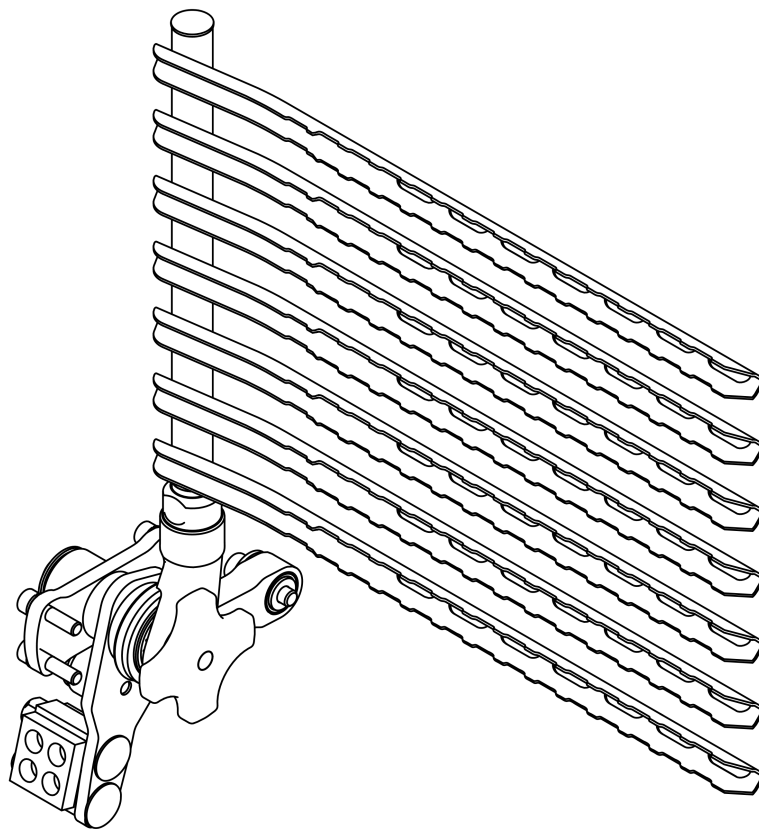
Metr. relevance



Depositing arm




38128023000



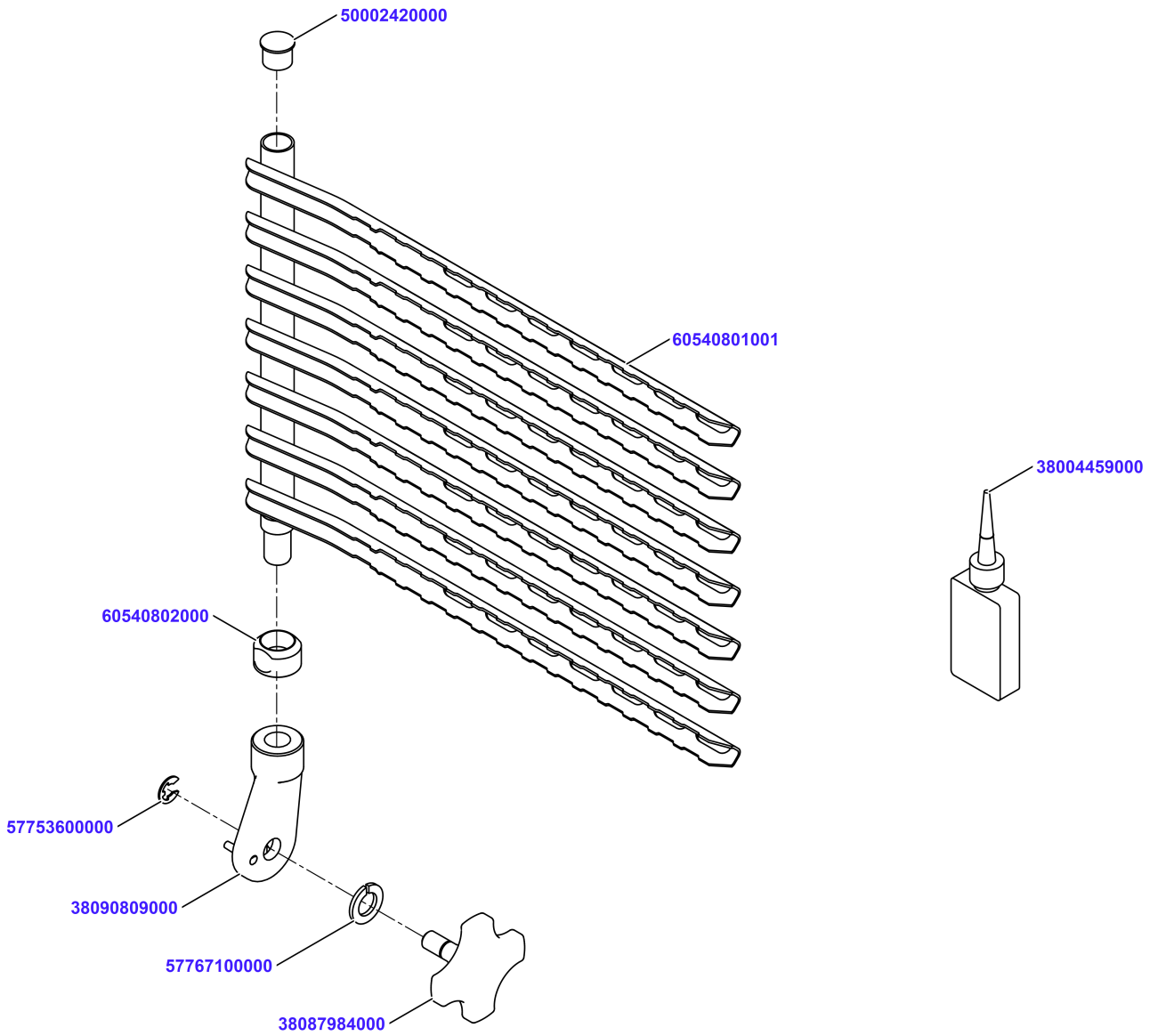
as from 11697371

Depositing arm









Material No.	Qty	Material description
38128023000	1	Service kit VSI- connect. depositing arm

	available for order	Wear part	Recomm. sp. part	Metr. relevance
---	---------------------	-----------	------------------	-----------------

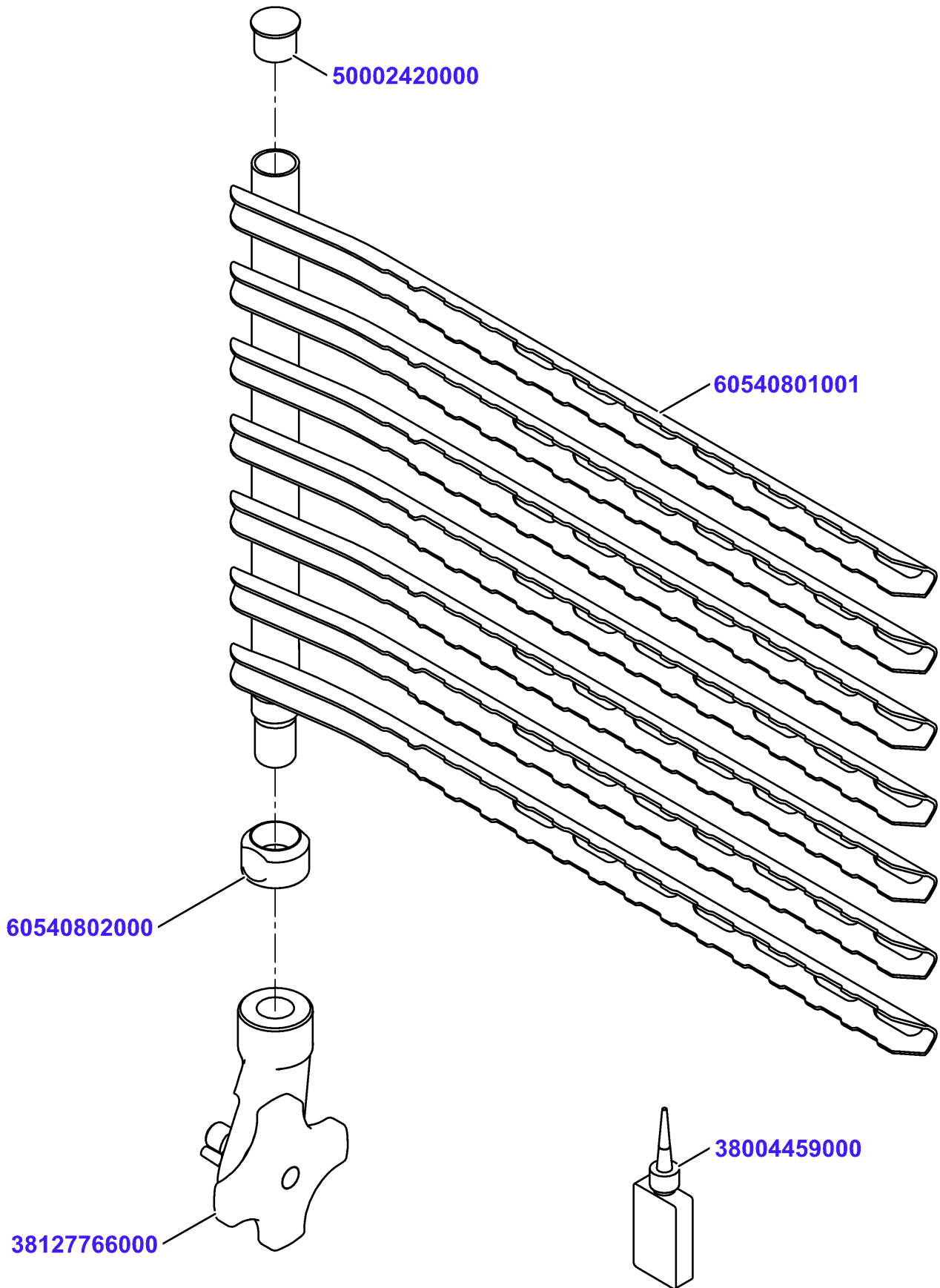
Depositing Arm cpl



Depositing Arm cpl

Material No.	Qty	Material description	available for order	Wear part	Recomm. sp. part	Metr. relevance
38090809000	1	Depositing angle preass				
60540801001	1	depositing arm standard welded				
50002420000	1	Protective plug 14,5x12,4x9,5-PE				
60540802000	1	locknut				
38004459000	0,001	Loctite 648				
38087984000	1	Bolt				
57767100000	1	Spring lock washer DIN128-A10-FSt				
57753600000	1	Retaining washer DIN6799-6				

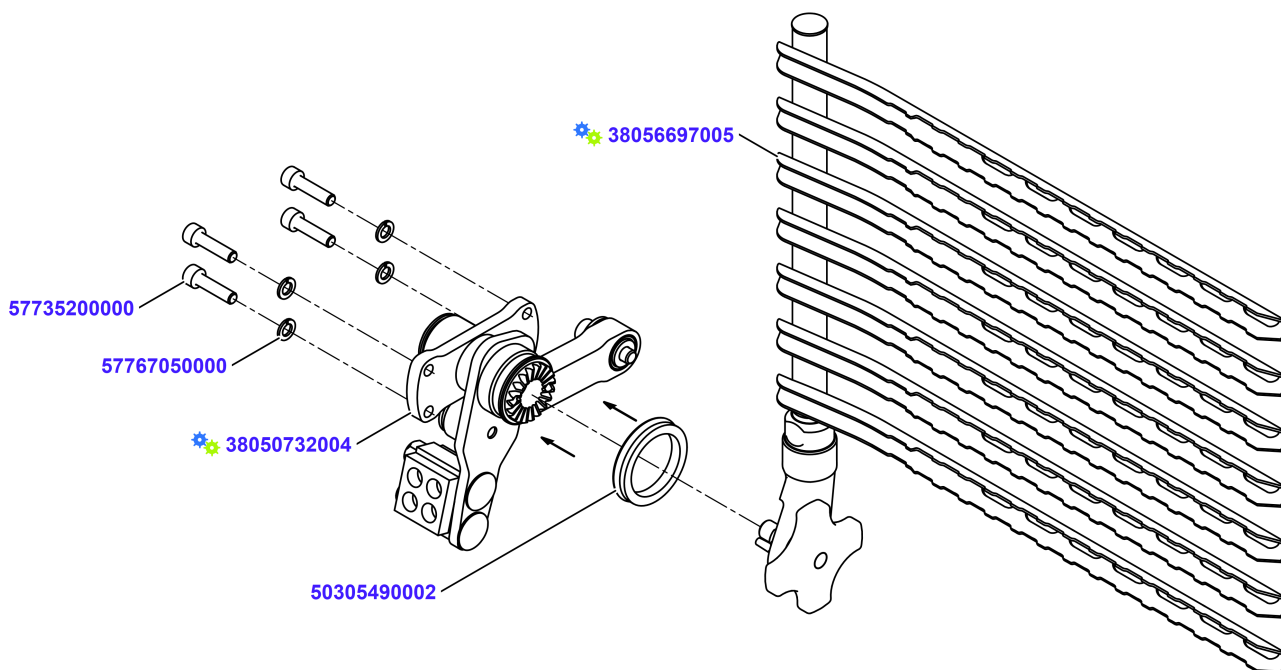
Depositing arm cpl



Depositing arm cpl

Material No.	Qty	Material description	available for order	Wear part	Recomm. sp. part	Metr. relevance
38127766000	1	Depositing Angle cpl.				
60540801001	1	depositing arm standard welded				
50002420000	1	Protective plug 14,5x12,4x9,5-PE				
60540802000	1	locknut				
38004459000	0,001	Loctite 648				

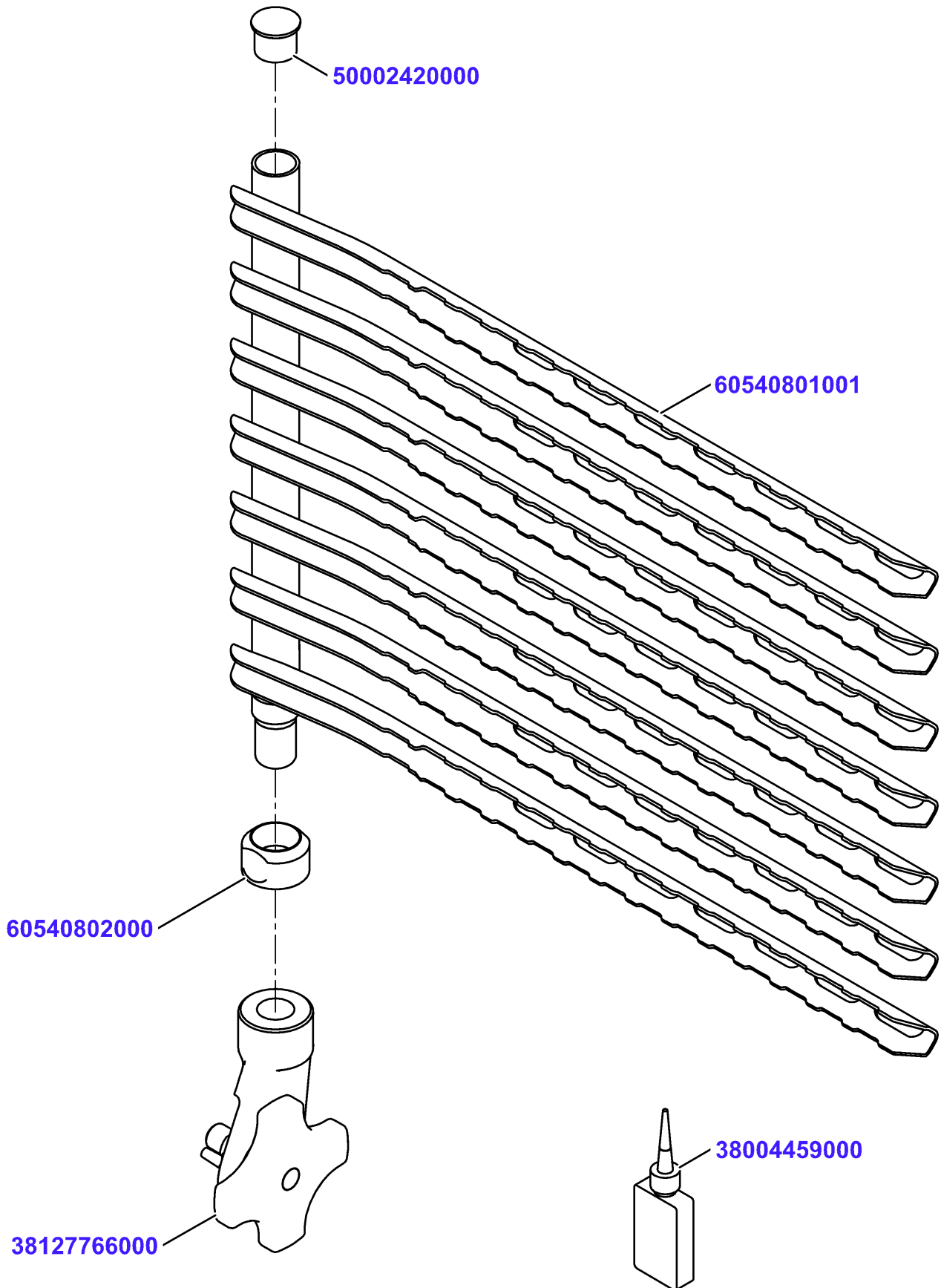
Service kit VSI- connect. depositing arm








Service kit VSI- connect. depositing arm

Material No.	Qty	Material description	available for order	Wear part	Recomm. sp. part	Metr. relevance
38056697005	1	Depositing arm cpl				
57735200000	4	Cylinder screw DIN912 M5x20-8.8				
57767050000	4	Spring lock washer DIN128-A5-FSt				
38050732004	1	Depositing Arm Lever cpl.				
50305490002	1	V-Sealing Ring 25x33x7,5 coated				

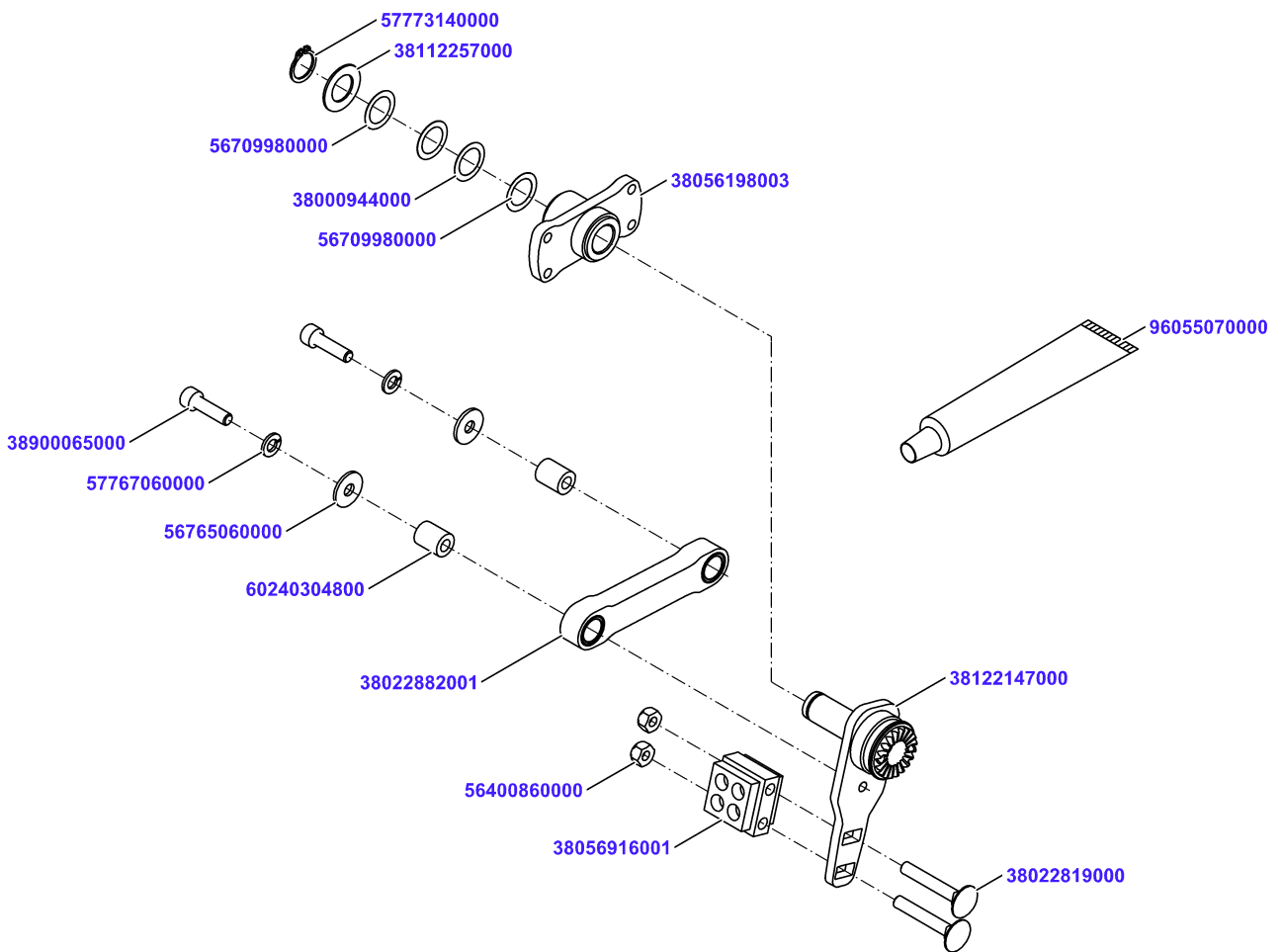
Depositing arm cpl



Depositing arm cpl

Material No.	Qty	Material description	available for order	Wear part	Recomm. sp. part	Metr. relevance
38127766000	1	Depositing Angle cpl.				
60540801001	1	depositing arm standard welded				
50002420000	1	Protective plug 14,5x12,4x9,5-PE				
60540802000	1	locknut				
38004459000	0,001	Loctite 648				

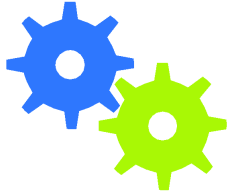
Depositing Arm Lever cpl.



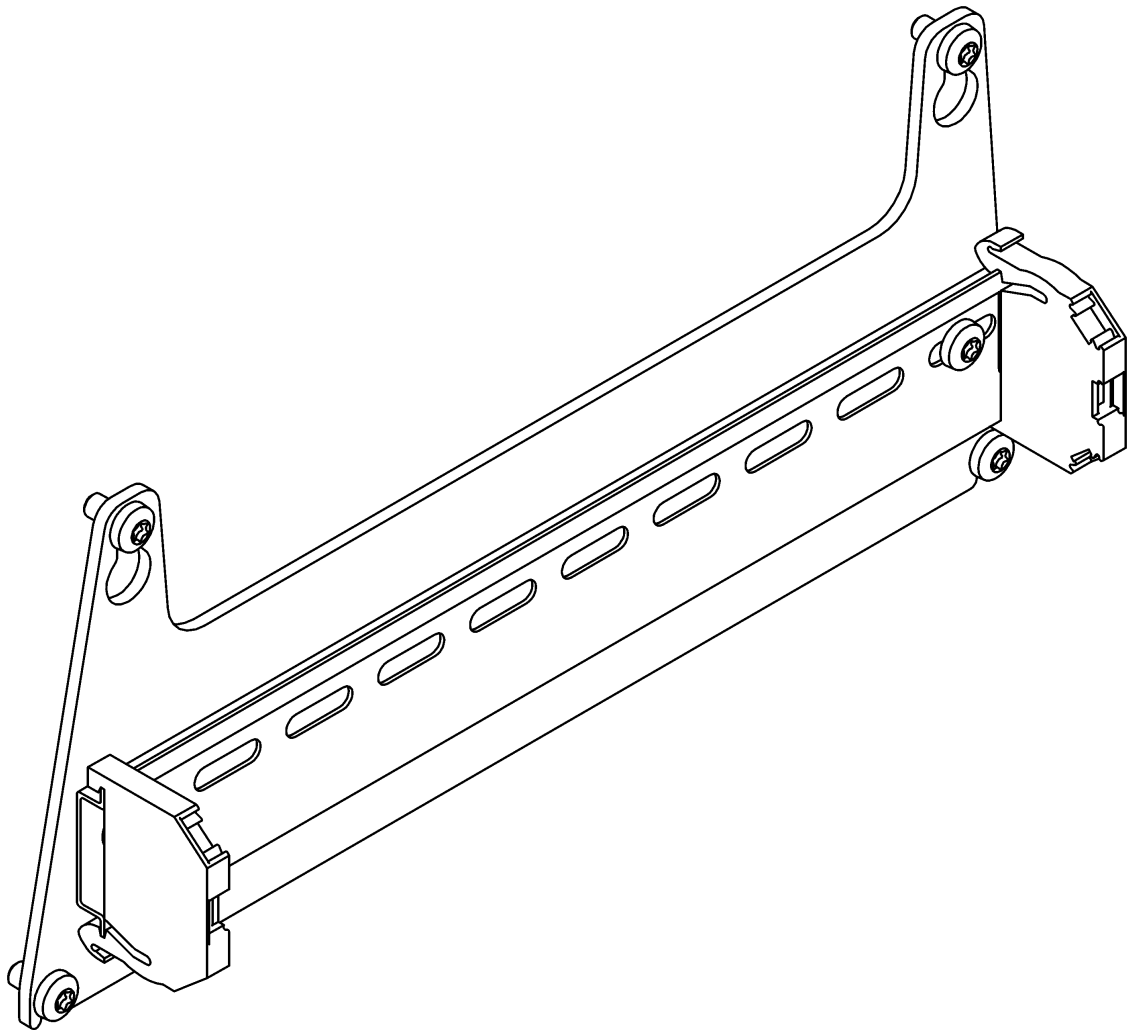
Depositing Arm Lever cpl.

Material No.	Qty	Material description	available for order	Wear part	Recomm. sp. part	Metr. relevance
38122147000	1	Depositing Arm Lever soldered	✓			
38056198003	1	Bearing Bushing preass	✓	✓	✓	
96055070000	0,001	Grease PARALIQ GA 343	✓			
57773140000	1	Retaining ring DIN471-14x1	✓			
56709980000	2	Shim ring DIN988-14x20x0,1	✓			
38000944000	2	Shim ring DIN988-14x20x0,15	✓			
38112257000	1	Washer 14.15x24x1	✓			
38056916001	1	stop cpl	✓	✓	✓	
38022819000	2	Mushroom head bolt DIN603 M6x40-A2-70	✓			
56400860000	2	Lock nut DIN985-M6-A2	✓			
38022882001	1	Connecting Rod preass	✓	✓	✓	
60240304800	2	Bushing 6,2 x 12f7 x 15	✓	✓	✓	
38900065000	2	Cylinder screw DIN912 M6x22-A2-70	✓			
57767060000	2	Spring lock washer DIN128-A6-FSt	✓			
56765060000	2	Washer DIN9021-6-A2	✓			

Electronics



38008889001



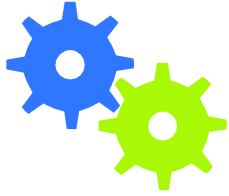
Electronics

Material No. **Qty** **Material description**

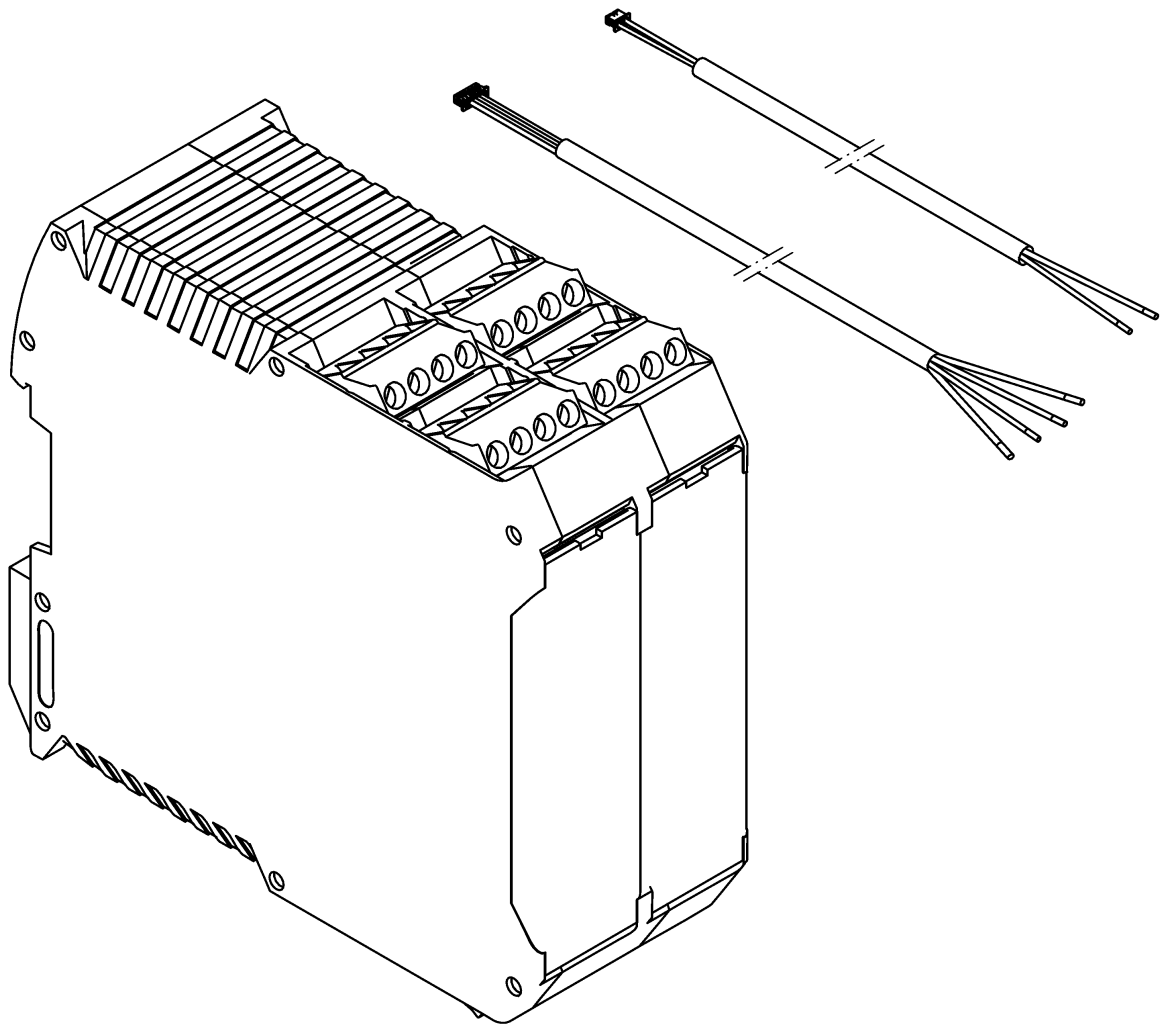
[38008889001](#) 1 Mounting Plate cpl

available for order
Wear part
Recomm. sp. part
Metr. relevance

Electronics



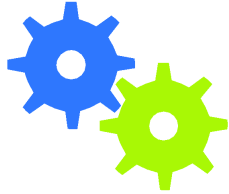
38023910001



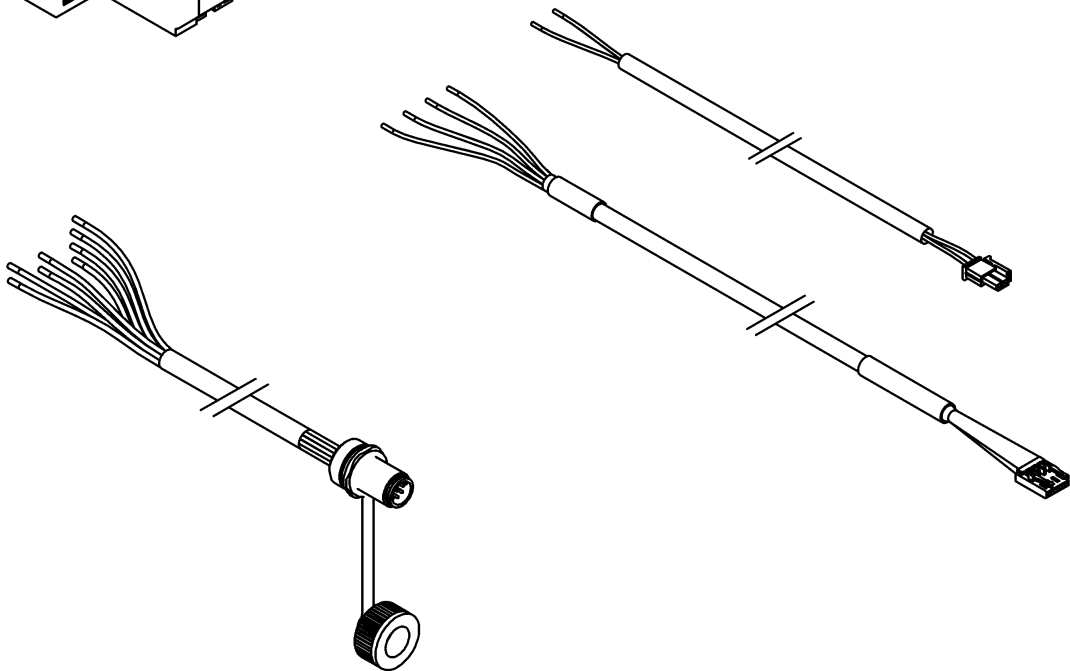
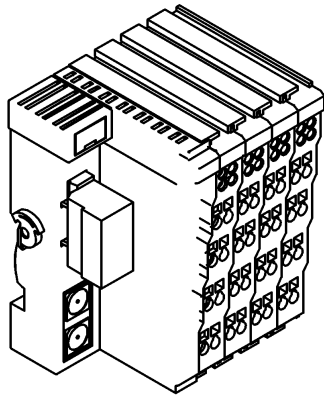
Electronics

Material No.	Qty	Material description	available for order	Wear part	Recomm. sp. part	Metr. relevance
38023910001	1	Option Scale Terminal bottom cpl				

Electronics



38079967000



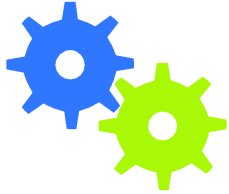
Electronics

Material No. **Qty** **Material description**

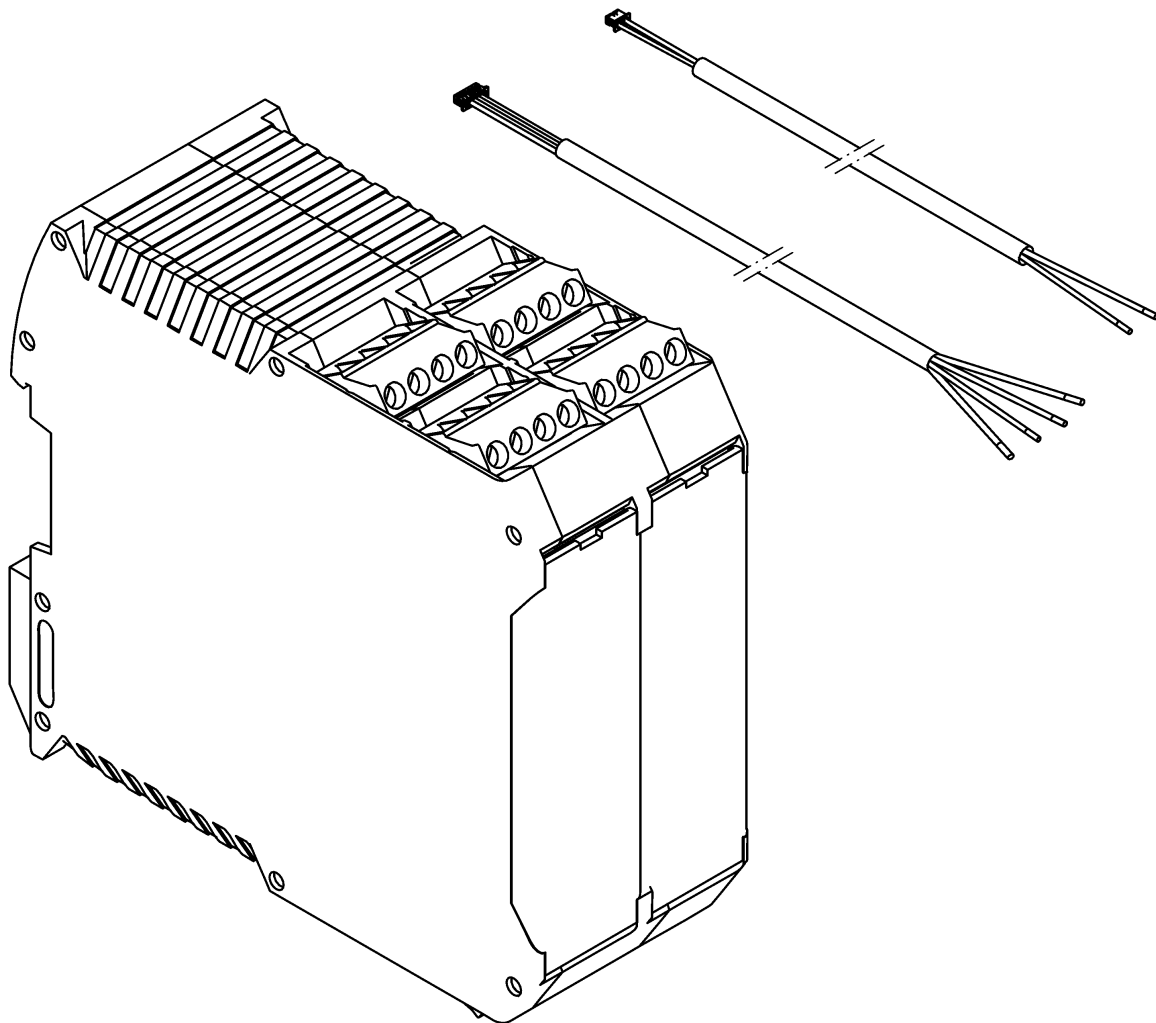
[38079967000](#) 1 Option I/O-Module

available for order
Wear part
Recomm. sp. part
Metr. relevance

Electronics



38084720001

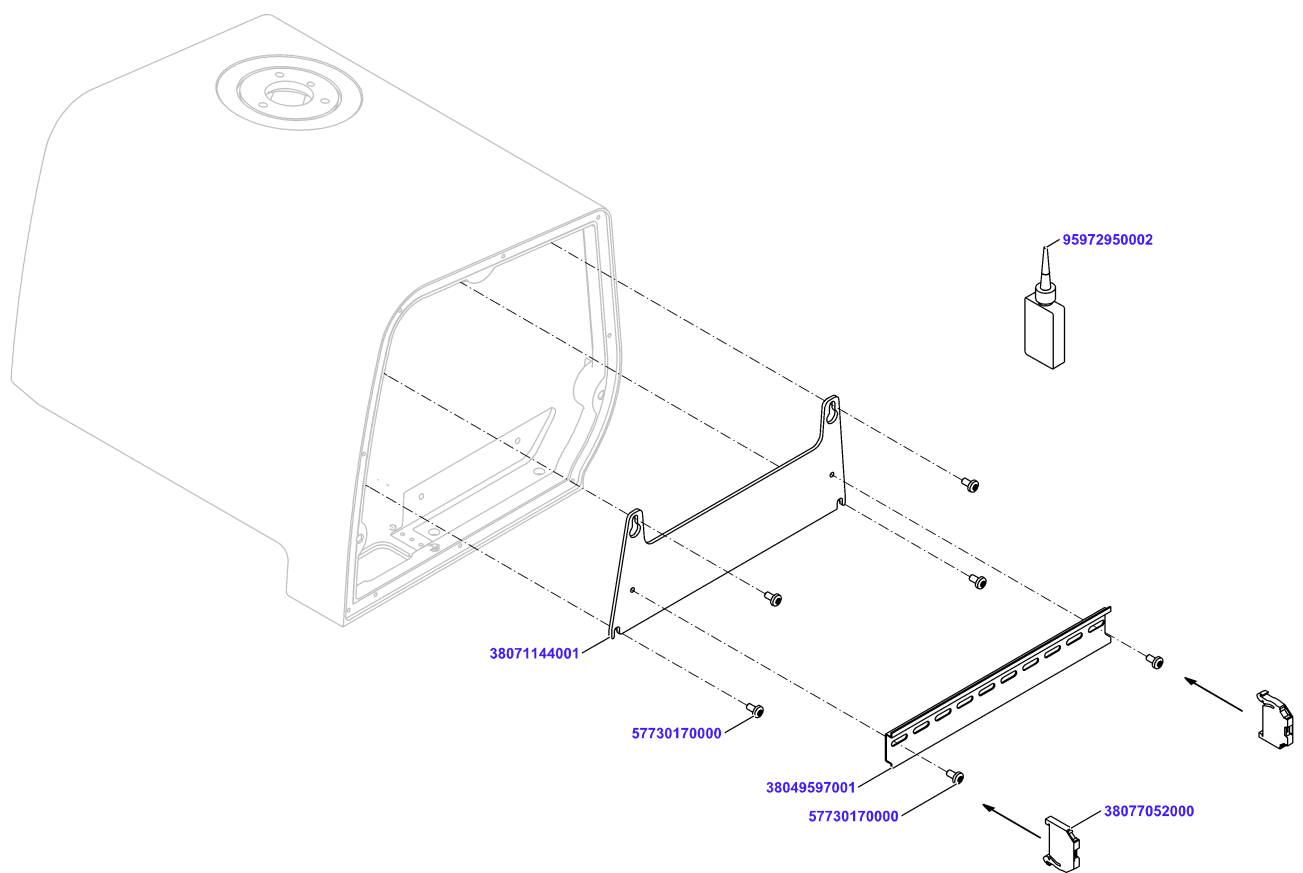


Electronics

Material No.	Qty	Material description
38084720001	1	Option Scale Terminal top cpl

available for order
Wear part
Recomm. sp. part
Metr. relevance

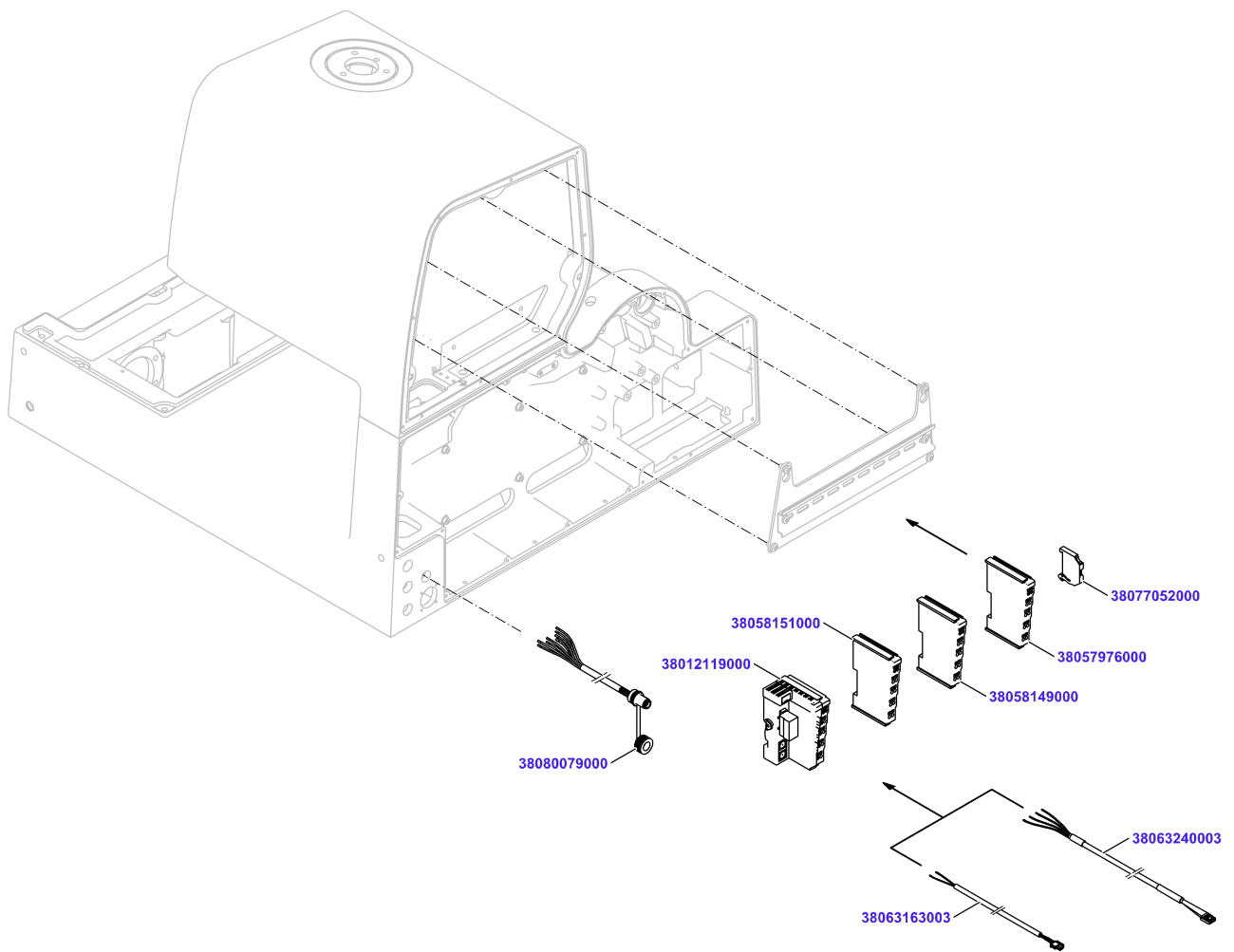
Mounting Plate cpl



Mounting Plate cpl

Material No.	Qty	Material description	available for order	Wear part	Recomm. sp. part	Metr. relevance
38071144001	1	Mounting Plate	✓			
38049597001	1	Top Hat Rail L250	✓			
57730170000	2	Oval-head screw ISO14583 M5x10-A2-70-T25	✓			
95972950002	0,001	Loctite 243 50 ml	✓			
38077052000	2	Screwless End Clamp	✓			
57730170000	4	Oval-head screw ISO14583 M5x10-A2-70-T25	✓			

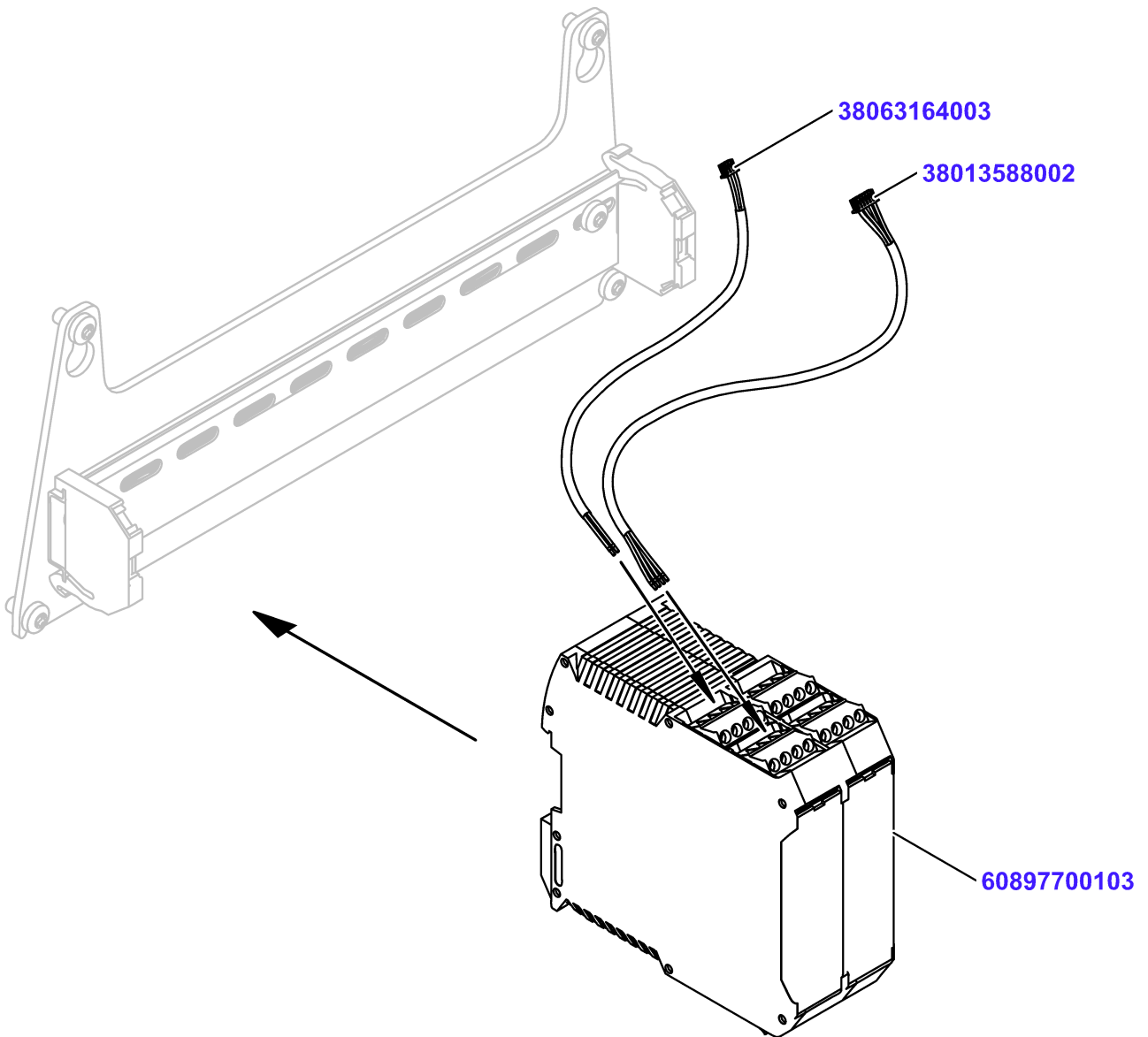
Option I/O-Module



Option I/O-Module

Material No.	Qty	Material description	available for order	Wear part	Recomm. sp. part	Metr. relevance
38012119000	1	CANopen-Compact-Bus-Coupler BK5150	✓		✓	
38058151000	1	2-Channel Digital Input Terminals 24VDC	✓		✓	
38058149000	1	2-Channel Digital Output Terminal 24VDC	✓		✓	
38057976000	1	K-Bus Termination Fitting KL9010	✓		✓	
38077052000	1	Screwless End Clamp	✓			
38063240003	1	Ka Rd 2x2x24AWG 0,15m	✓			
38063163003	1	Ka Rd 4x0,14 1,30m	✓			
38080079000	1	I/O M12 Connector	✓			

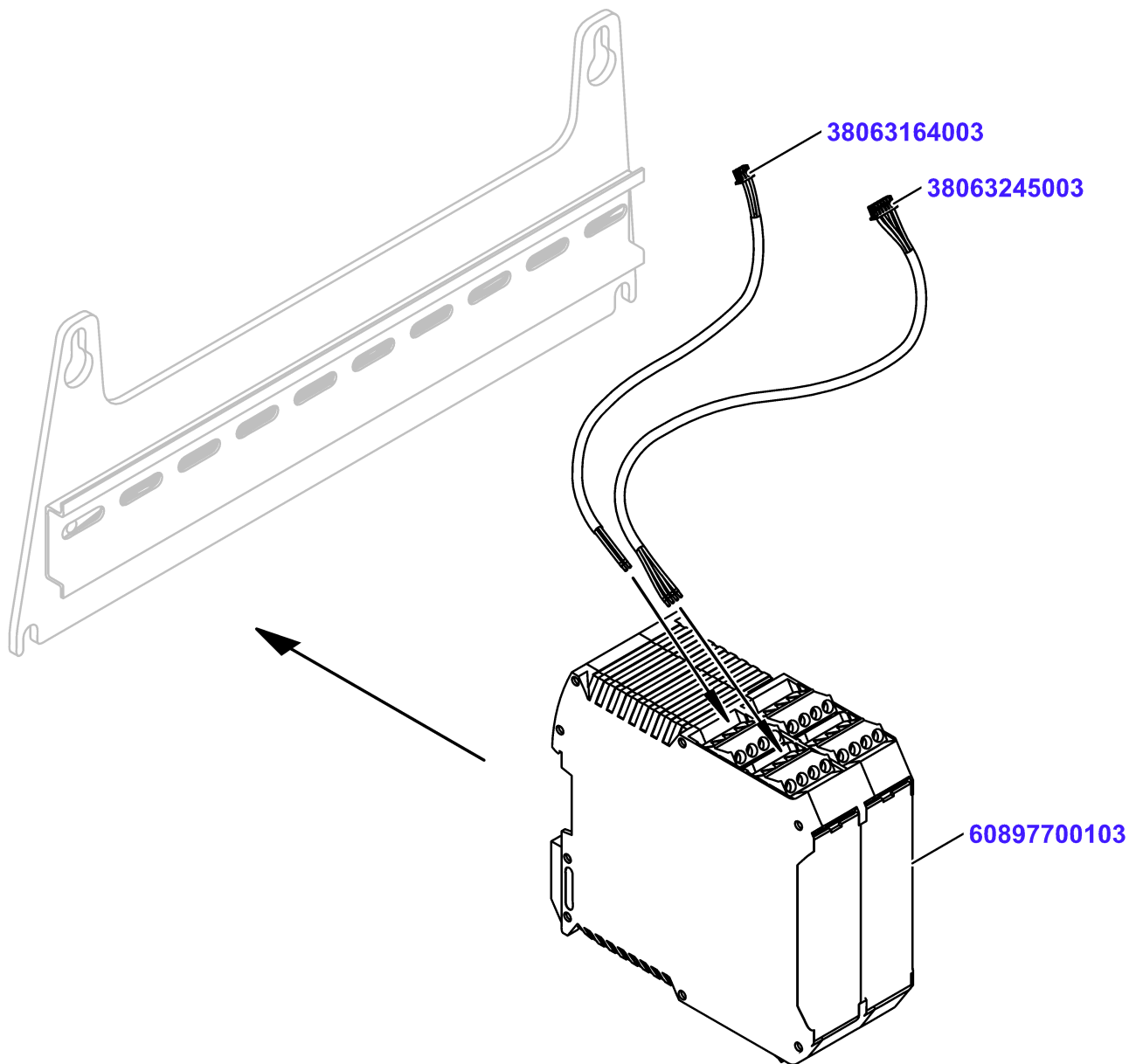
Option Scale Terminal bottom cpl



Option Scale Terminal bottom cpl

Material No.	Qty	Material description	available for order	Wear part	Recomm. sp. part	Metr. relevance
60897700103	1	Weighing module Food				
38063164003	1	Ka Rd 4x0,14 1,15m				
38013588002	1	Ka Rd 4x0,14qmm 1,65m				

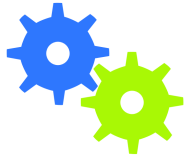
Option Scale Terminal top cpl



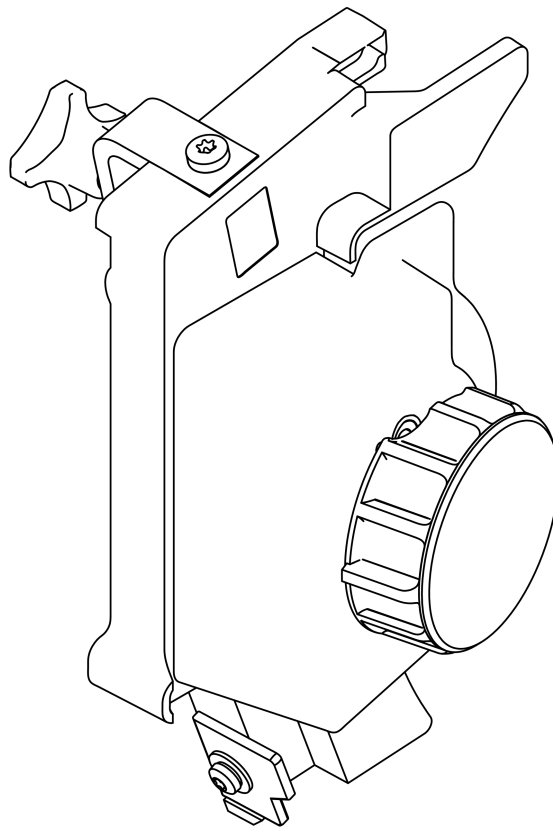
Option Scale Terminal top cpl

Material No.	Qty	Material description	available for order	Wear part	Recomm. sp. part	Metr. relevance
60897700103	1	Weighing module Food	✓			
38063164003	1	Ka Rd 4x0,14 1,15m	✓			
38063245003	1	Ka Rd 4x0,14qmm 0,70m	✓			

Grinding device



38064573002



Grinding device

Material No.	Qty	Material description
38064573002	1	Grinder VSI 330 cpl.

available for order

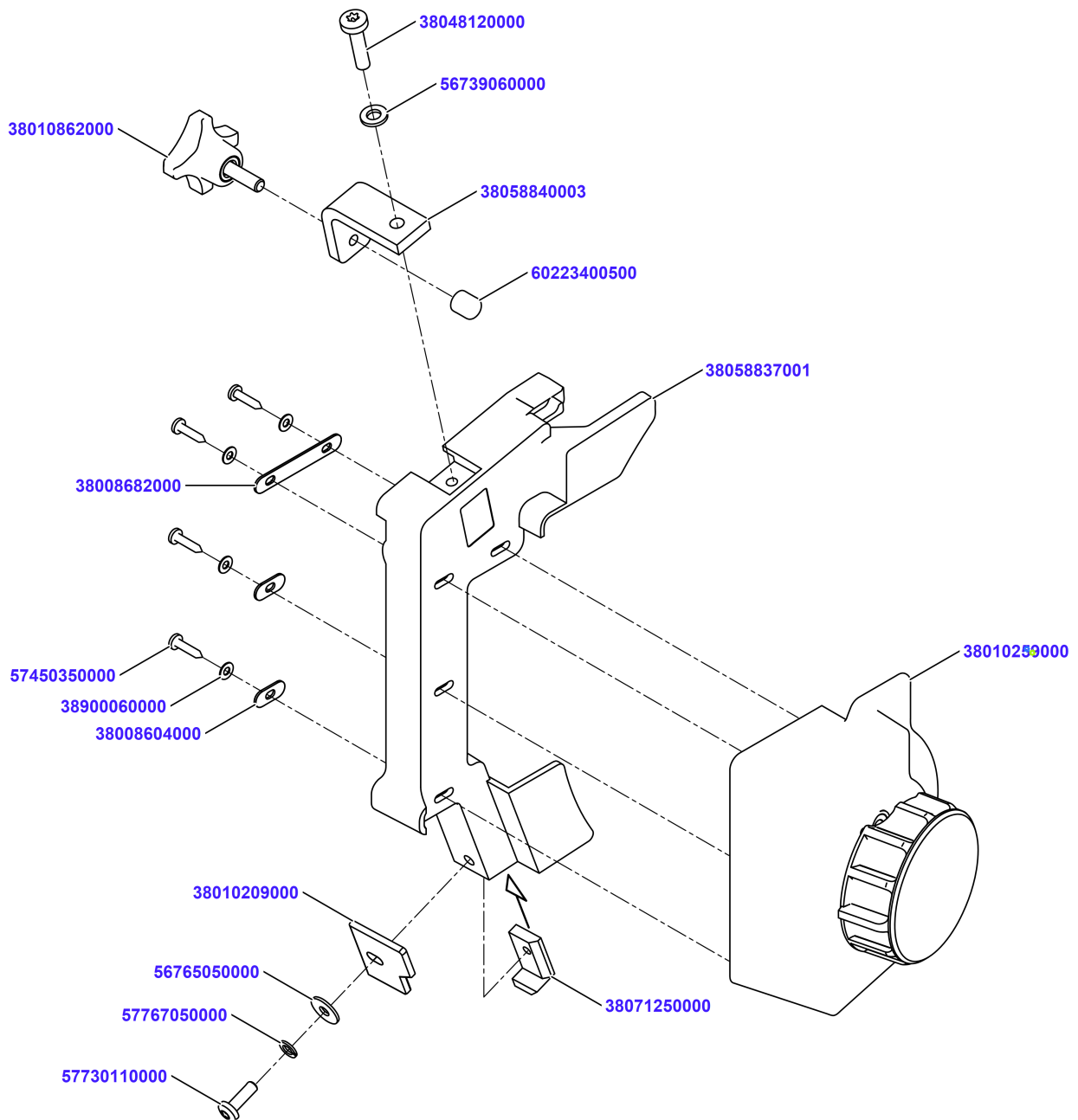
Wear part

Recomm. sp. part

















Metr. relevance



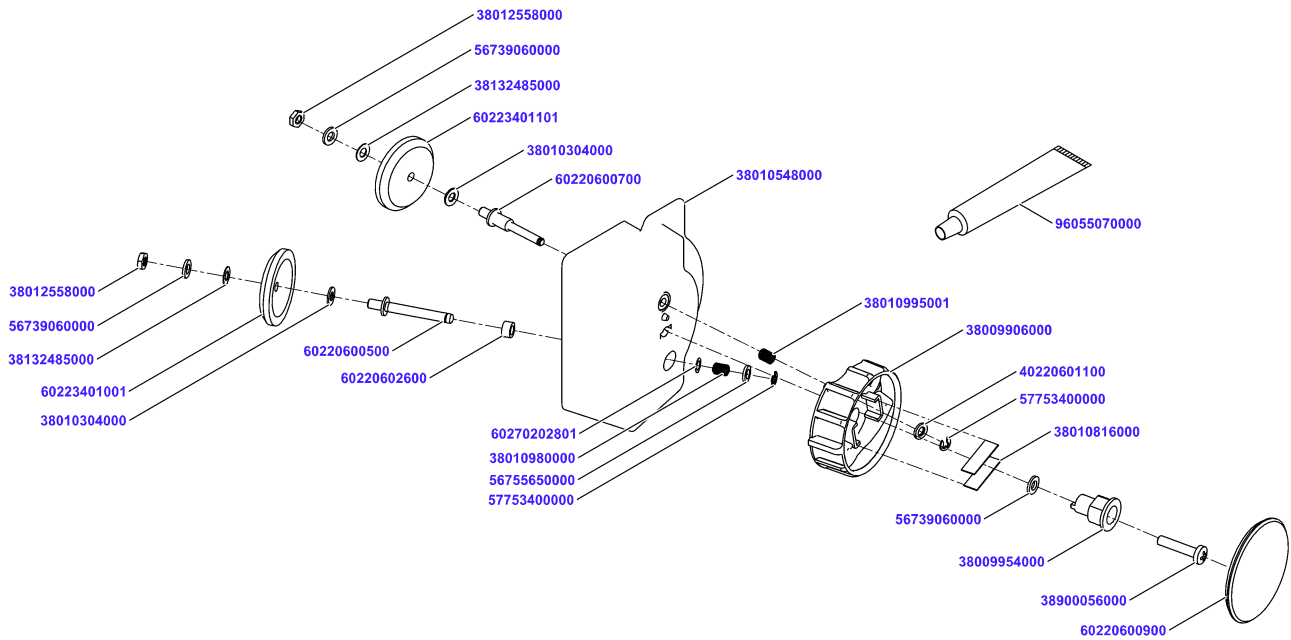
Grinder VSI 330 cpl.



Grinder VSI 330 cpl.

Material No.	Qty	Material description	available for order	Wear part	Recomm. sp. part	Metr. relevance
38010259000	1	UVV Sharpener preass. GSP				
38058837001	1	Adapter				
38008604000	2	Cover disc 18x8				
38008682000	1	cover disc long				
57450350000	4	Self-tap screw ISO7049-C3,5x16 A2-50-T15				
38900060000	4	Washer DIN125-A-3,5-A2				
38058840003	1	Clamp piece				
38048120000	1	Oval-head screw ISO14583 M6x25-A2-70-T30				
56739060000	1	Washer DIN125-A-6-A2				
38010862000	1	Steel star handle 18,85mm, cpl.				
60223400500	1	Cap M6x10				
38010209000	1	Stop - Verwendung entfallen				
57730110000	1	Oval-head screw ISO14583 M5x16-A2-70-T25				
56765050000	1	Washer DIN9021-5-A2				
57767050000	1	Spring lock washer DIN128-A5-FSt				
38071250000	1	Nut				

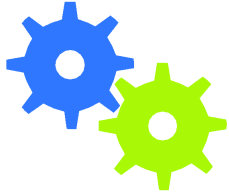
UVV Sharpener preass. GSP



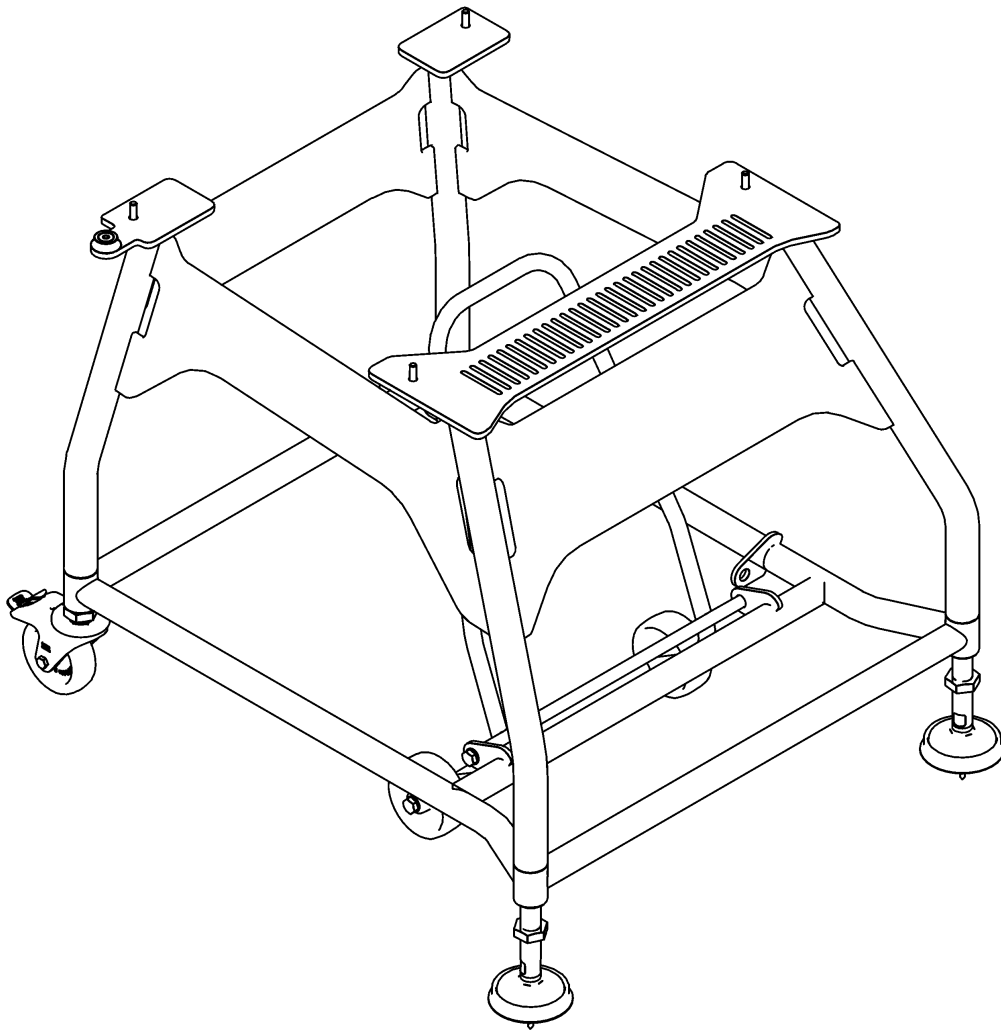
UVV Sharpener preass. GSP

Material No.	Qty	Material description	available for order	Wear part	Recomm. sp. part	Metr. relevance
38010548000	1	Housing	✓			
60220600500	1	Shaft 12x58	✓			
38010980000	1	pressure spring	✓			
56755650000	1	Washer DIN433-6-A2	✓			
57753400000	1	Retaining washer DIN6799-4	✓			
38009954000	1	bearing bolt	✓			
38009906000	1	handwheel	✓			
38900056000	1	Oval-head screw DIN7985 M6x30-A2-70	✓			
56739060000	1	Washer DIN125-A-6-A2	✓			
60220602600	1	Spacer sleeve 10x6,1x5,5	✓			
60220600700	1	Shaft 12x54,5	✓			
38010995001	1	pressure spring	✓			
60270202801	1	Washer	✓			
40220601100	1	Locking washer 11x5,4x1,5	✓			
57753400000	1	Retaining washer DIN6799-4	✓			
38010816000	2	Flat spring 29,5x10x0,6	✓			
60220600900	1	Cover 71x5.5	✓			
38132485000	2	Washer 6,3x12x0,5	✓			
60223401001	1	Sharpening disc	✓	✓		
60223401101	1	Honing Disc	✓	✓		
38010304000	2	Washer	✓			
56739060000	2	Washer DIN125-A-6-A2	✓			
38012558000	2	Hexagon nut DIN439-M6-A2	✓			
96055070000	0,001	Grease PARALIQ GA 343	✓			

Bench



38082643004



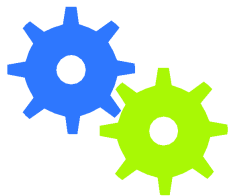
Bench

Material No. **Qty** **Material description**

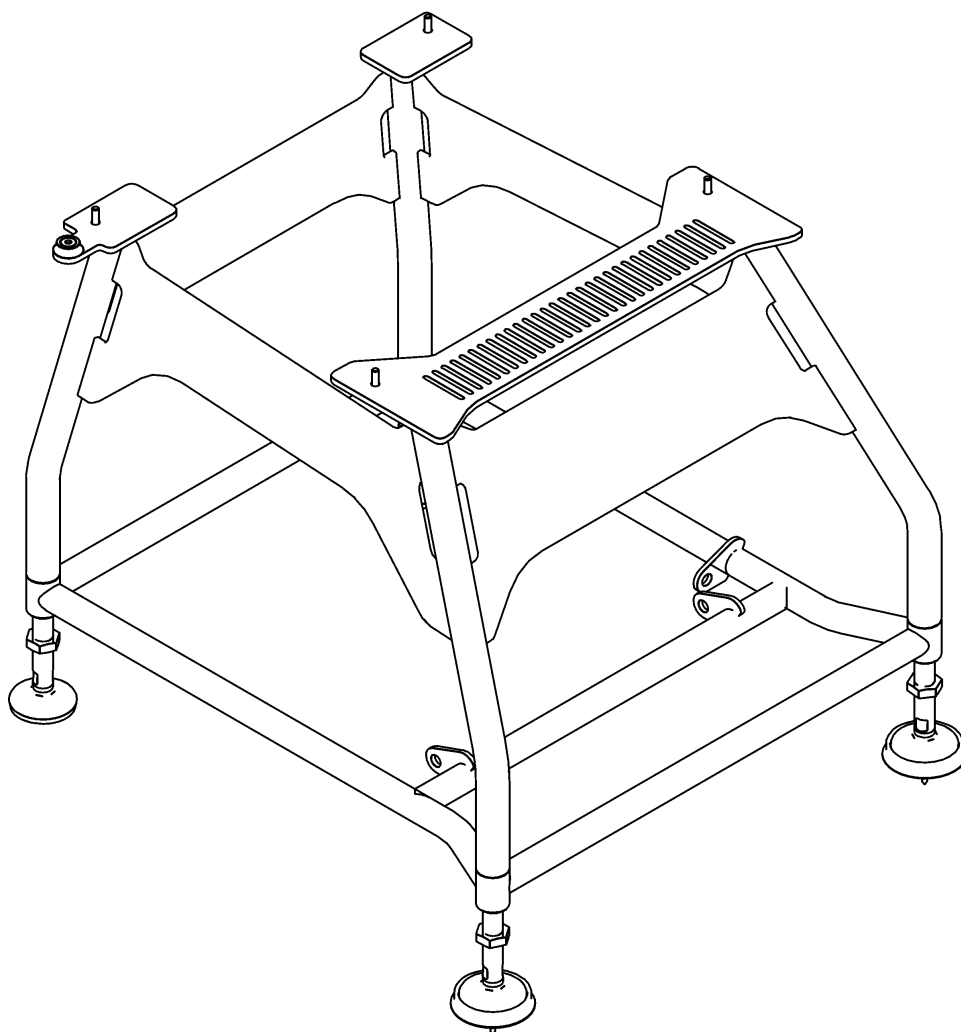
[38082643004](#) 1 Stand mobile cpl

available for order
Wear part
Recomm. sp. part
Metr. relevance

Bench



38083207002

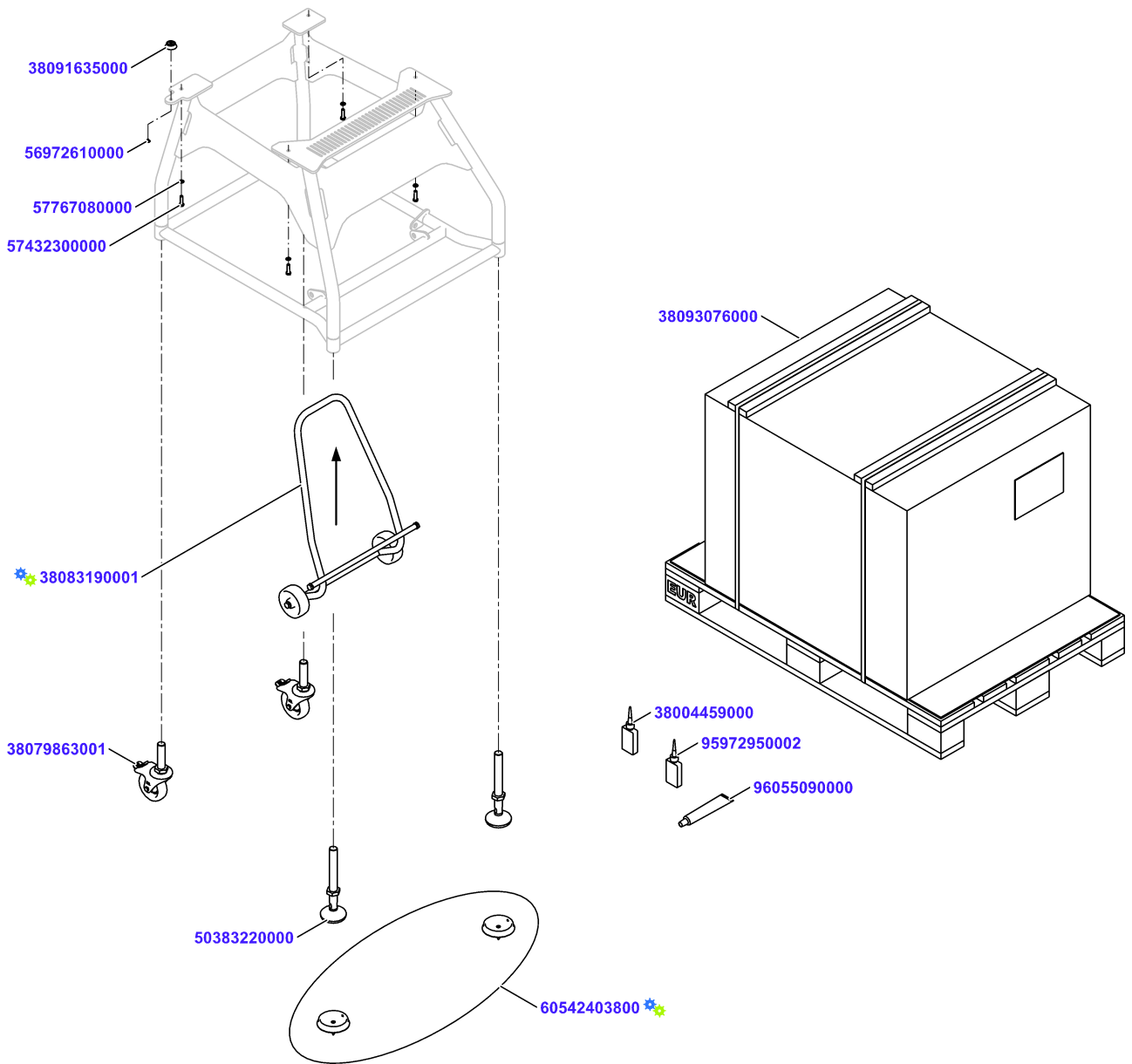


Bench















available for order
Wear part
Recomm. sp. part
Metr. relevance

Material No.	Qty	Material description
38083207002	1	Stand stationary cpl

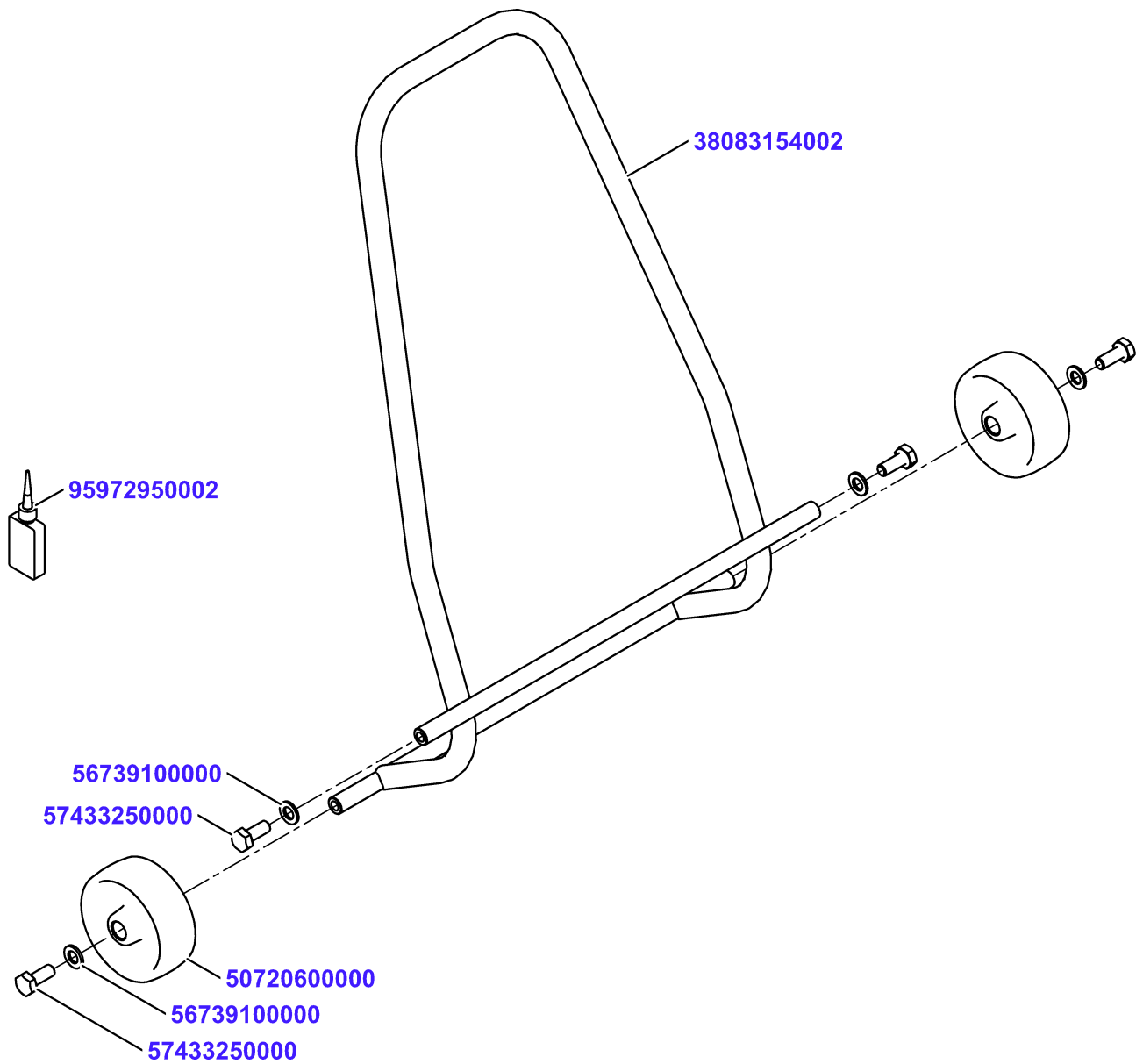
Stand mobile cpl



Stand mobile cpl

Material No.	Qty	Material description	available for order	Wear part	Recomm. sp. part	Metr. relevance
38082662004	1	Stand welded				
38080235000	4	Thread Bushing M30 x 40 x M24				
38004459000	0,004	Loctite 648				
50383220000	2	Pivot foot 80x254-M24x222-10°				
96055090000	0,002	Assembly-paste Rivolta F.L.A. 100 ml				
38079863001	2	Castor cpl				
38083190001	1	Lever cpl.				
57432300000	4	Hexagon screw DIN933 M8x30 A2-70				
57767080000	4	Spring lock washer DIN128-A8-A2				
38091635000	1	Spirit Level preass				
56972610000	1	Mushroom head screw M5x6-A2-70				
95972950002	0,001	Loctite 243 50 ml				
60542403800	1	ACCESSORY KIT FOR BENCH FIXATION				
38093076000	1	Packaging Stand mobile VSI cpl				

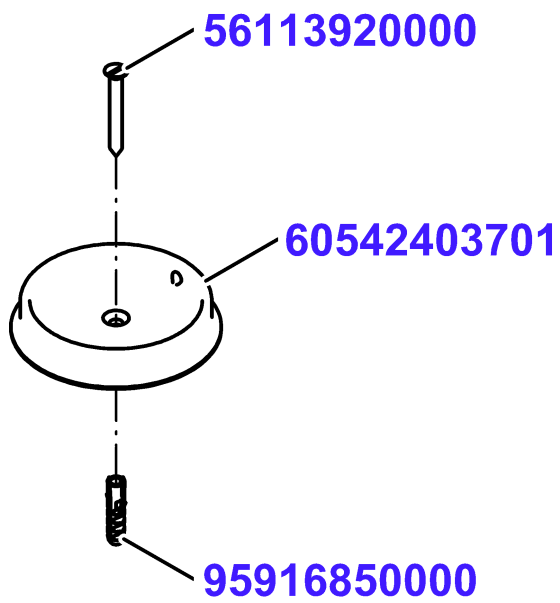
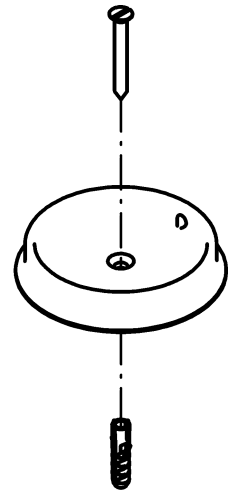
Lever cpl.






Lever cpl.

Material No.	Qty	Material description	available for order	Wear part	Recomm. sp. part	Metr. relevance
38083154002	1	Lever				
50720600000	2	Wheel 100x15x37-160				
56739100000	2	Washer DIN125-A-10-A2				
57433250000	2	Hexagon screw DIN933 M10x25 A2-70				
56739100000	2	Washer DIN125-A-10-A2				
57433250000	2	Hexagon screw DIN933 M10x25 A2-70				
95972950002	0,001	Loctite 243 50 ml				

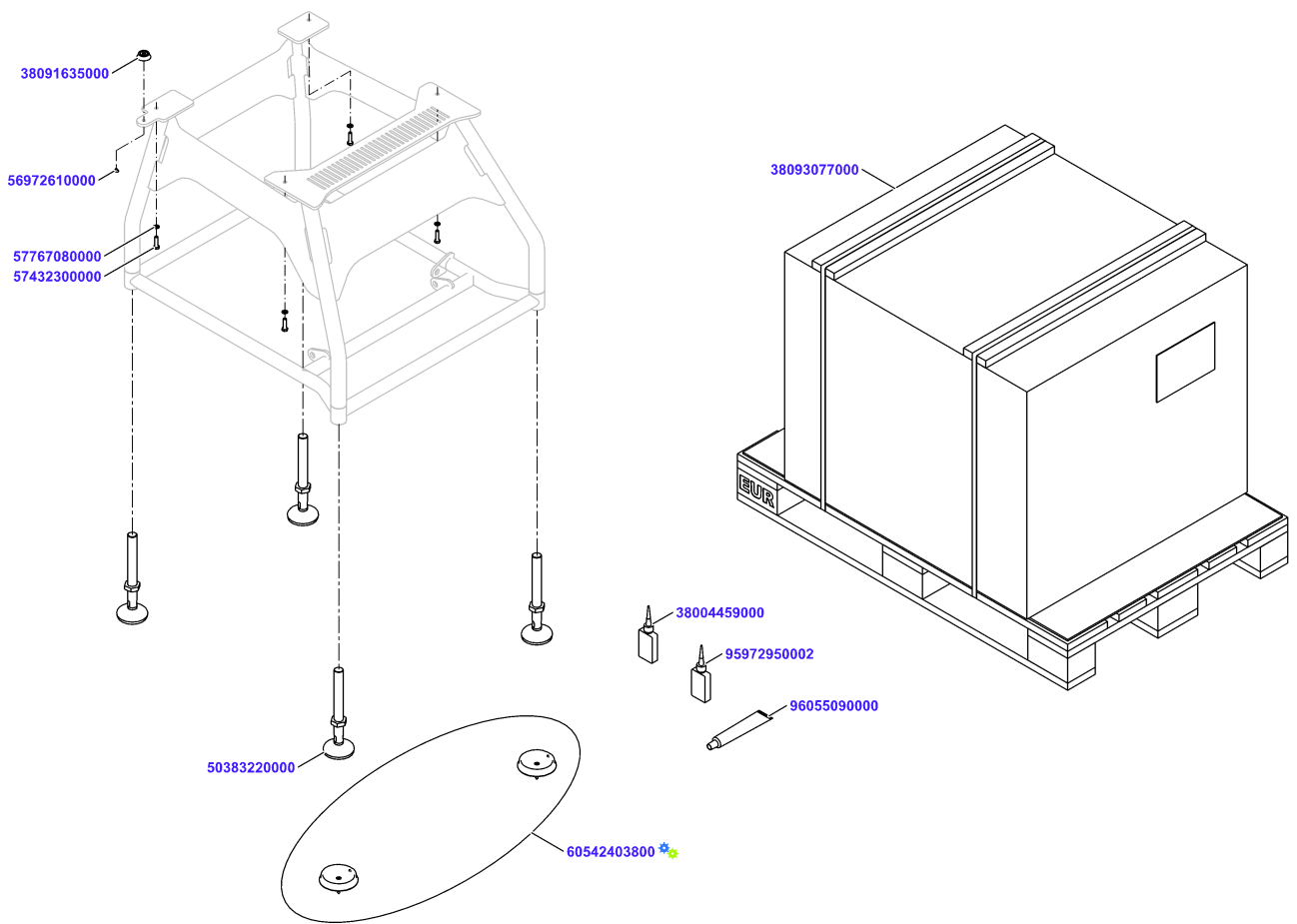
ACCESSORY KIT FOR BENCH FIXATION















ACCESSORY KIT FOR BENCH FIXATION

Material No.	Qty	Material description	available for order	Wear part	Recomm. sp. part	Metr. relevance
60542403701	2	mounting				
95916850000	2	Dowel 6x10x35				
56113920000	2	Wood screw DIN97-6x50-4.6				

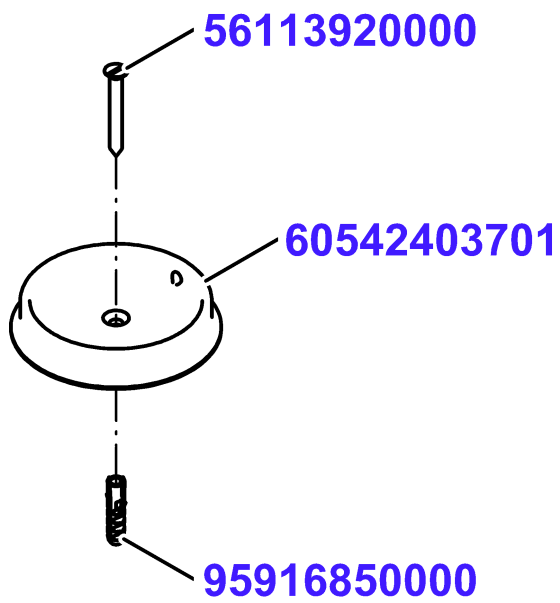
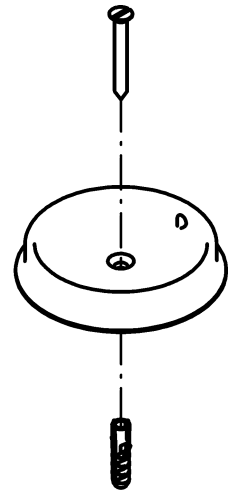
Stand stationary cpl






Stand stationary cpl

Material No.	Qty	Material description	available for order	Wear part	Recomm. sp. part	Metr. relevance
38082662004	1	Stand welded				
38080235000	4	Thread Bushing M30 x 40 x M24				
38004459000	0,004	Loctite 648				
50383220000	4	Pivot foot 80x254-M24x222-10°				
96055090000	0,004	Assembly-paste Rivolta F.L.A. 100 ml				
57432300000	4	Hexagon screw DIN933 M8x30 A2-70				
57767080000	4	Spring lock washer DIN128-A8-A2				
38091635000	1	Spirit Level preass				
56972610000	1	Mushroom head screw M5x6-A2-70				
95972950002	0,001	Loctite 243 50 ml				
60542403800	1	ACCESSORY KIT FOR BENCH FIXATION				
38093077000	1	Packaging Stand stationary VSI cpl				

ACCESSORY KIT FOR BENCH FIXATION

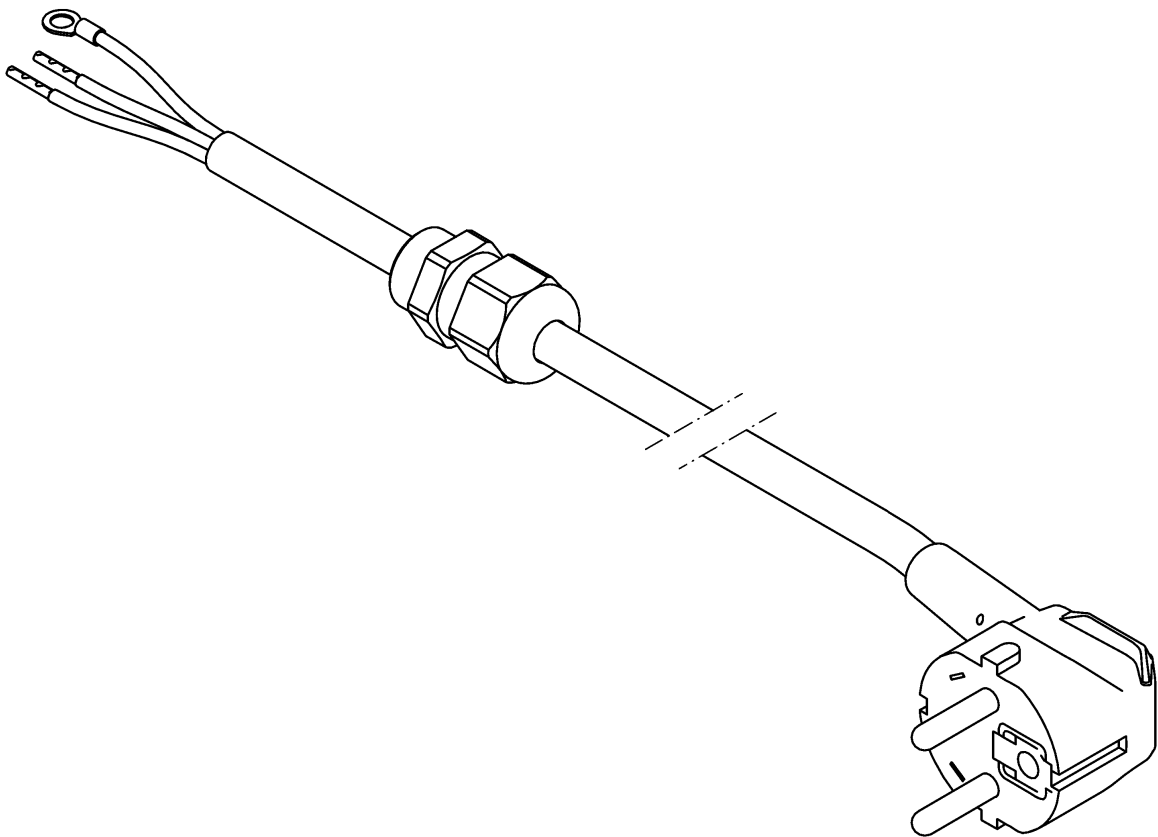


ACCESSORY KIT FOR BENCH FIXATION


Material No.	Qty	Material description	available for order	Wear part	Recomm. sp. part	Metr. relevance
60542403701	2	mounting				
95916850000	2	Dowel 6x10x35				
56113920000	2	Wood screw DIN97-6x50-4.6				

Network connections

38084852000

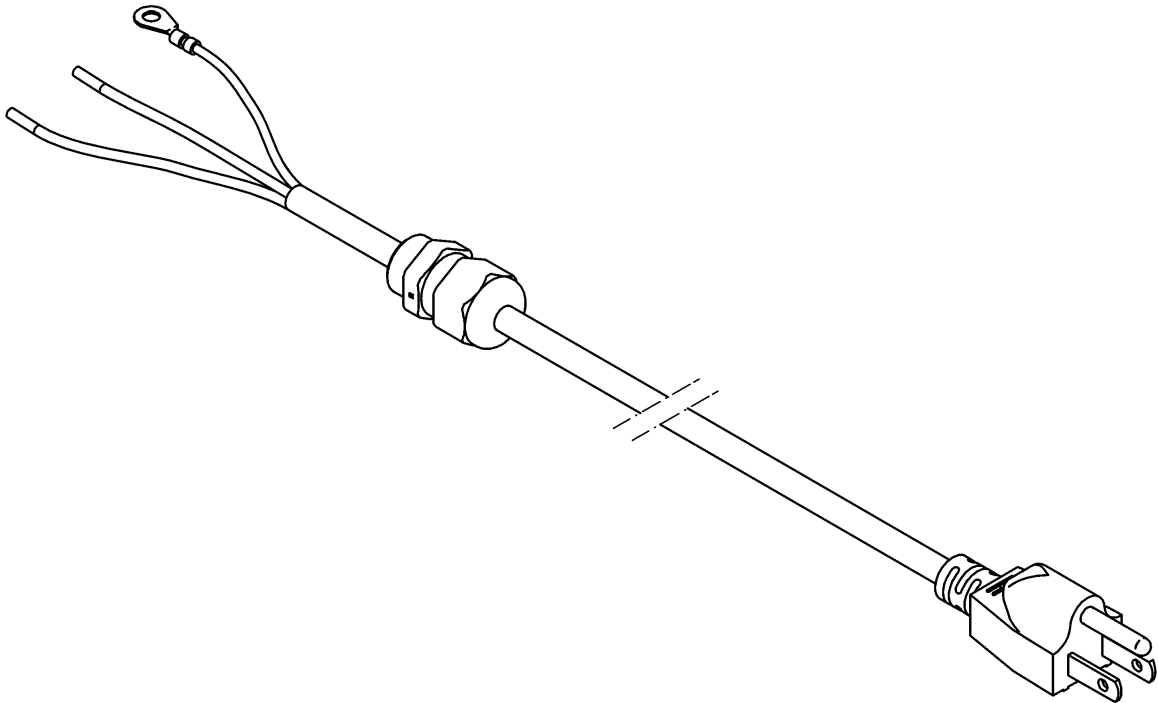


Network connections

Material No.	Qty	Material description	available for order	Wear part	Recomm. sp. part	Metr. relevance
38084852000	1	Power Connection Cable AC EURO L2,5m cpl				

Network connections

38084853000



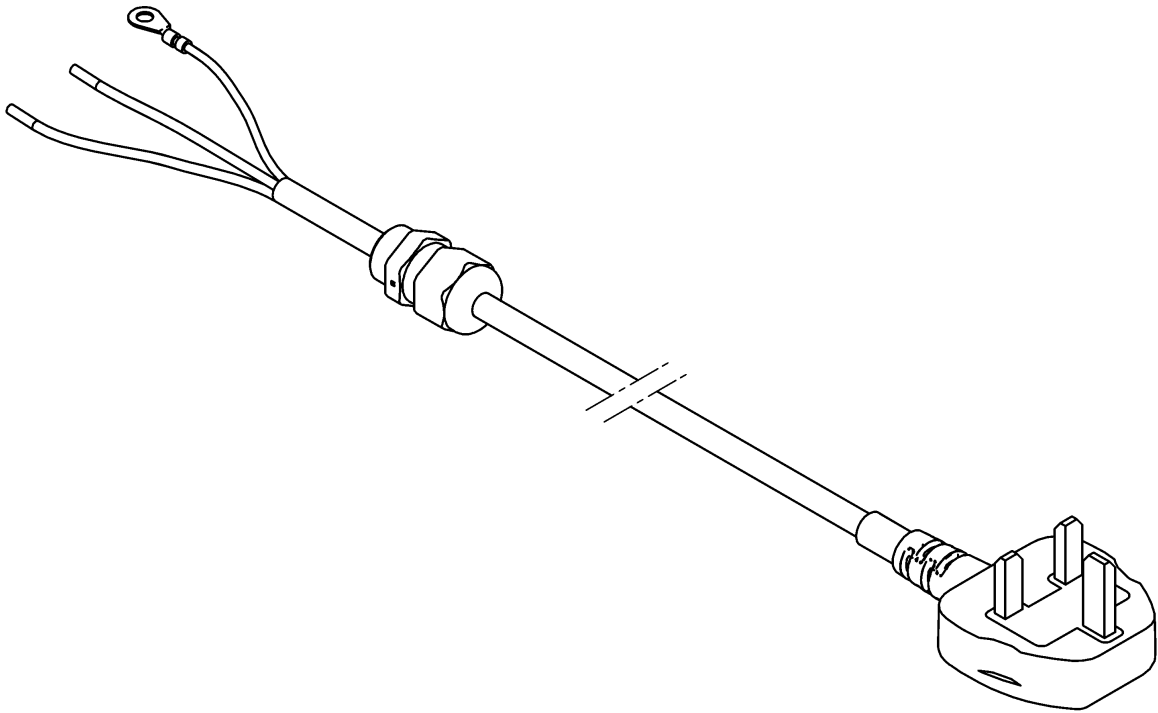
Network connections

available for order
Wear part
Recomm. sp. part
Metr. relevance

Material No.	Qty	Material description
38084853000	1	Power Conn. Cable USA CAN cpl

Network connections

38091889000



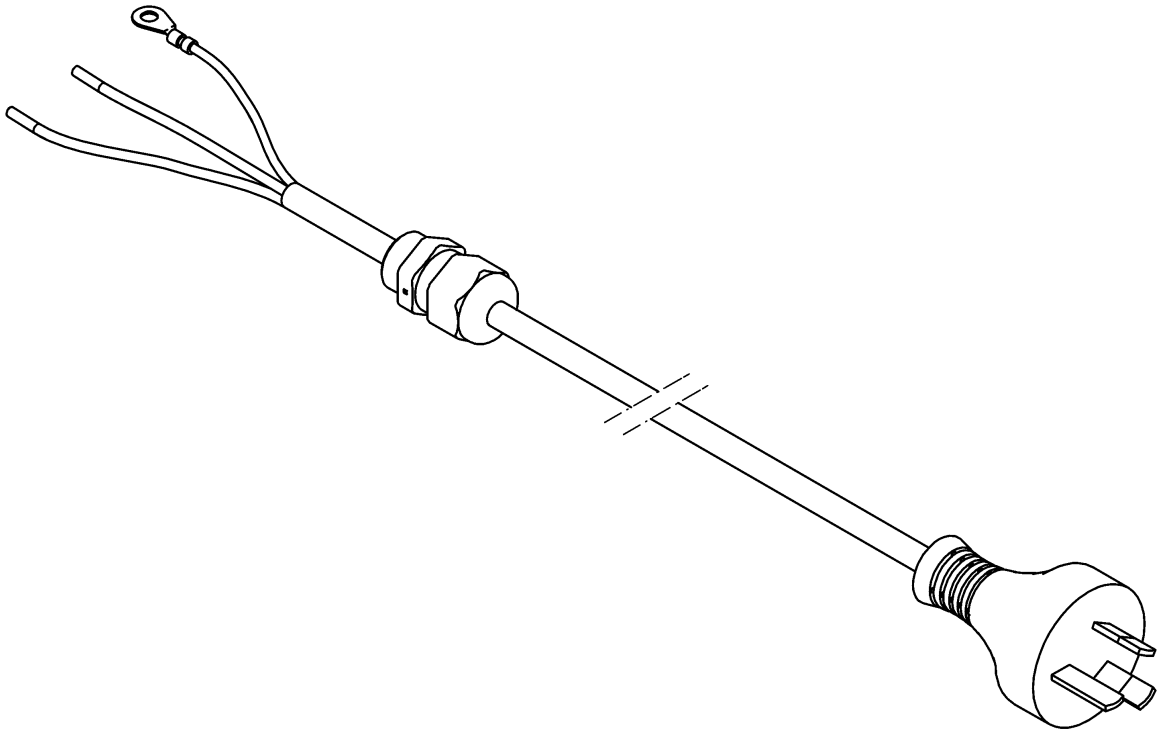
Network connections

available for order
Wear part
Recomm. sp. part
Metr. relevance

Material No.	Qty	Material description
38091889000	1	Power Connection Cable UK cpl.

Network connections

38091890000



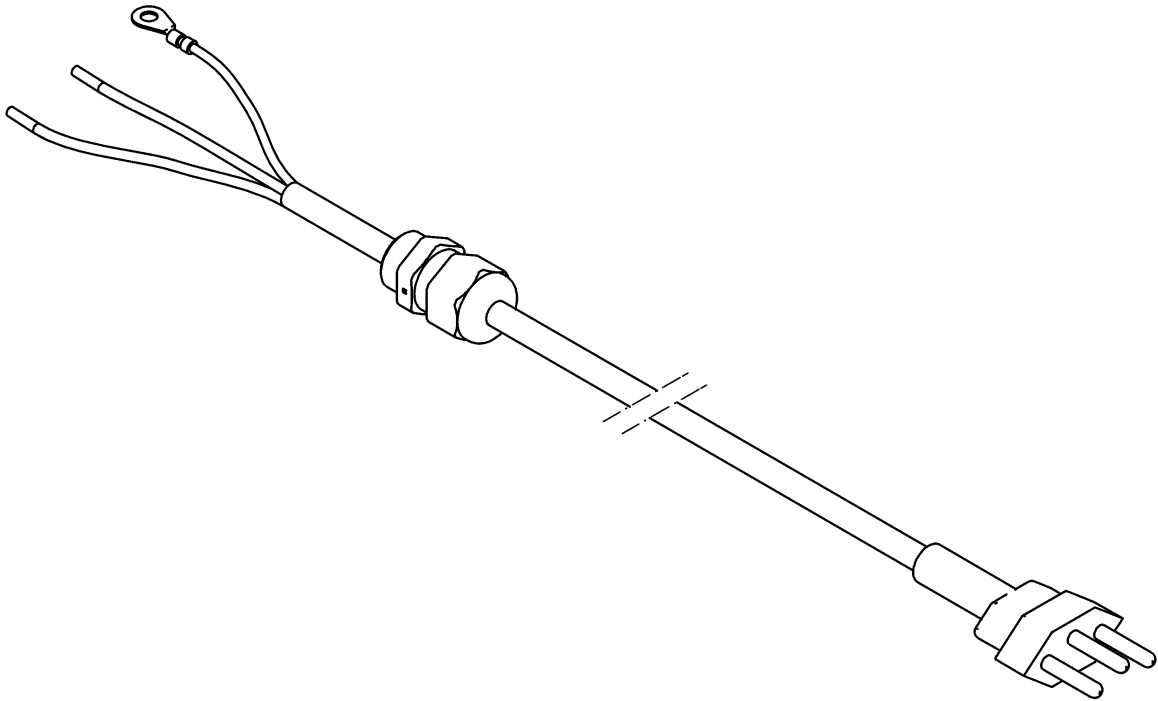
Network connections

available for order
Wear part
Recomm. sp. part
Metr. relevance

Material No.	Qty	Material description
38091890000	1	Power Connection Cable AU cpl.

Network connections

38091891000



Network connections

Material No.	Qty	Material description
38091891000	1	Power Connection Cable BR cpl.

available for order

Wear part

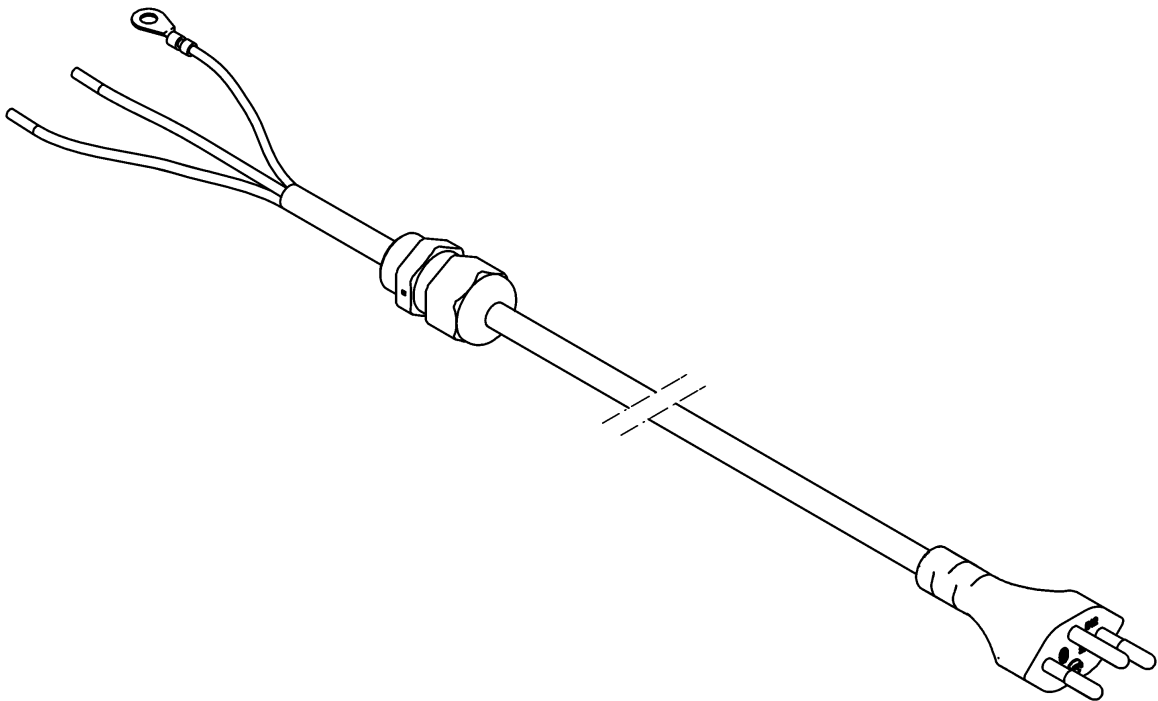
Recomm. sp. part

Metr. relevance



Network connections

38098326000



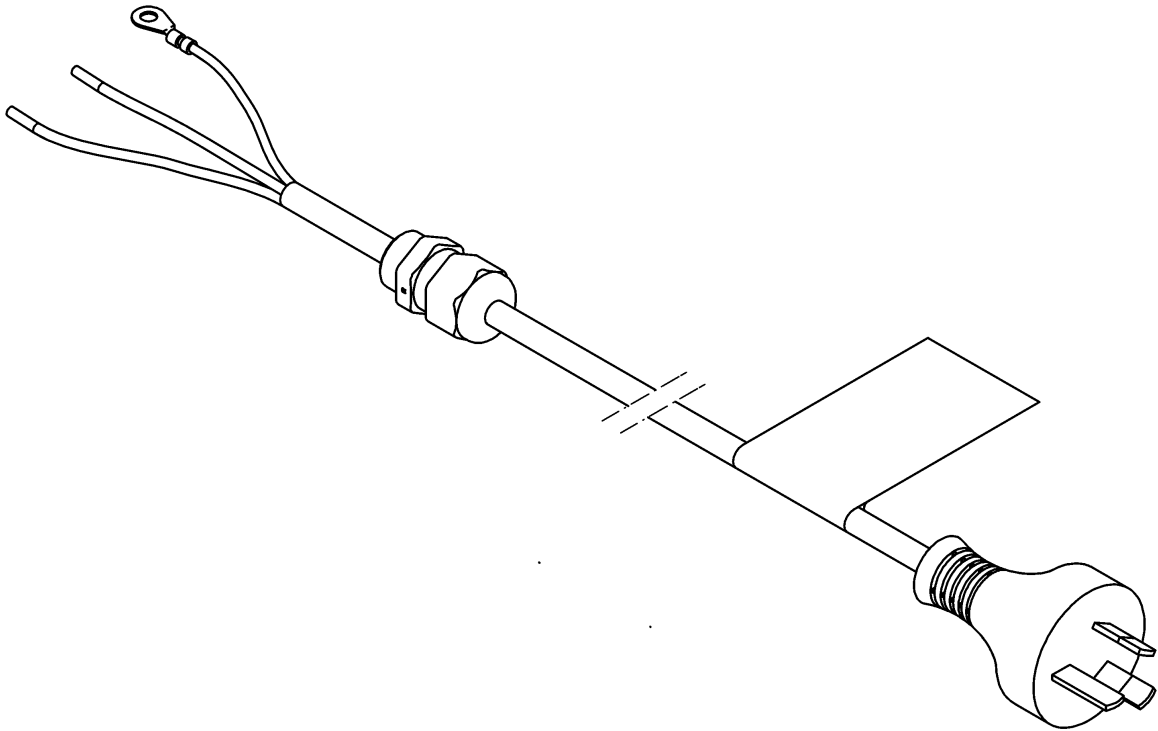
Network connections

available for order
Wear part
Recomm. sp. part
Metr. relevance

Material No.	Qty	Material description
38098326000	1	Power Connection Cable CH cpl.

Network connections

38098327000



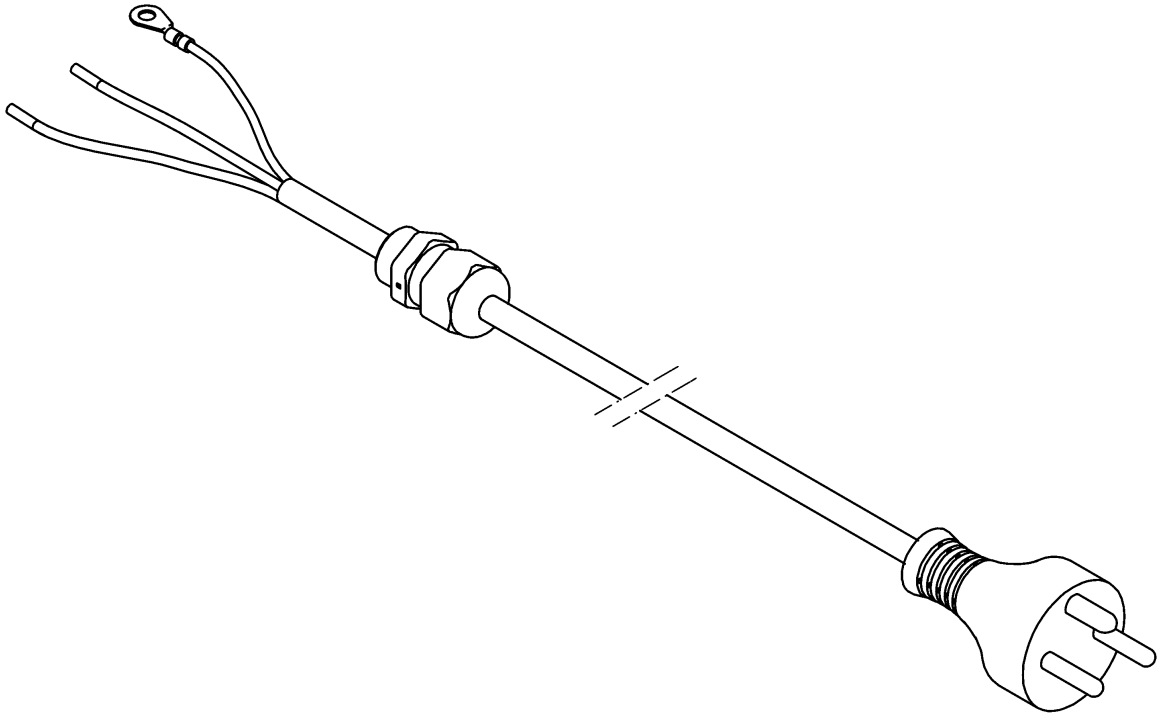
Network connections

available for order
Wear part
Recomm. sp. part
Metr. relevance

Material No.	Qty	Material description
38098327000	1	Power Connection Cable AR cpl.

Network connections

38106851000



Network connections

available for order
Wear part
Recomm. sp. part
Metr. relevance

Material No.	Qty	Material description
38106851000	1	Power Connection Cable DK cpl

Identification plates

38086202001

BIZERBA

VSI330 XXX

XXX

XXX

Nr./No. XXX

XXX

XXX


Bizerba SE & Co.KG
Wilhelm-Kraut-Str.65
72336 Balingen
Germany

XXX

XXX

Identification plates

Material No.	Qty	Material description
38086202001	1	Name Plate VSI

	available for order
	Wear part
	Recomm. sp. part
	Metr. relevance

Identification plates

38086202002

BIZERBA

VSI330 XXX

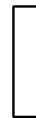
XXX

Nr./No. XXX

XXX

XXX

Bizerba SE & Co.KG
Wilhelm-Kraut-Str.65
72336 Balingen
Germany



XXX

XXX

Identification plates

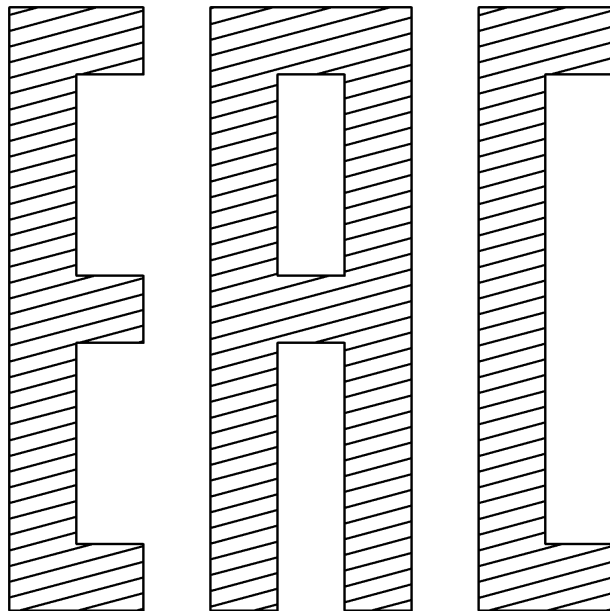
Material No. **Qty** **Material description**

[38086202002](#) 1 Name Plate VSI

available for order
Wear part
Recomm. sp. part
Metr. relevance

Plates and labels

38014393000



Plates and labels

available for order
Wear part
Recomm. sp. part
Metr. relevance

Material No.	Qty	Material description
38014393000	1	EAC mark

Plates and labels

38014989000



Plates and labels

Material No.	Qty	Material description
38014989000	1	Sticker "See instruction manual"

available for order

Wear part

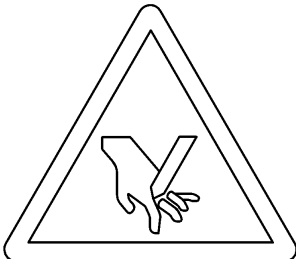
Recomm. sp. part

Metr. relevance



Plates and labels

38017656000

	<p>⚠ WARNING</p>
	<p>Authorized personnel only Read operating instructions to avoid serious injuries Moving parts can crush and cut Disconnect from supply circuit before cleaning or servicing</p>
<p>⚠ AVERTISSEMENT / CUIDADO</p>	
<p>Personnel autorisé seulement Lire le mode d'emploi afin d'éviter des blessures graves Les mécanismes en mouvement peuvent écraser et couper Débrancher du secteur avant d'effectuer le nettoyage ou l'entretien</p>	<p>Solo personal autorizado Lea cuidadosamente las instrucc de manejo para evitar serios da Las partes móviles pueden machucar y cortar Desconecte la fuente de energ eléctrica antes de realizar la limpieza o trabajos de servicio</p>

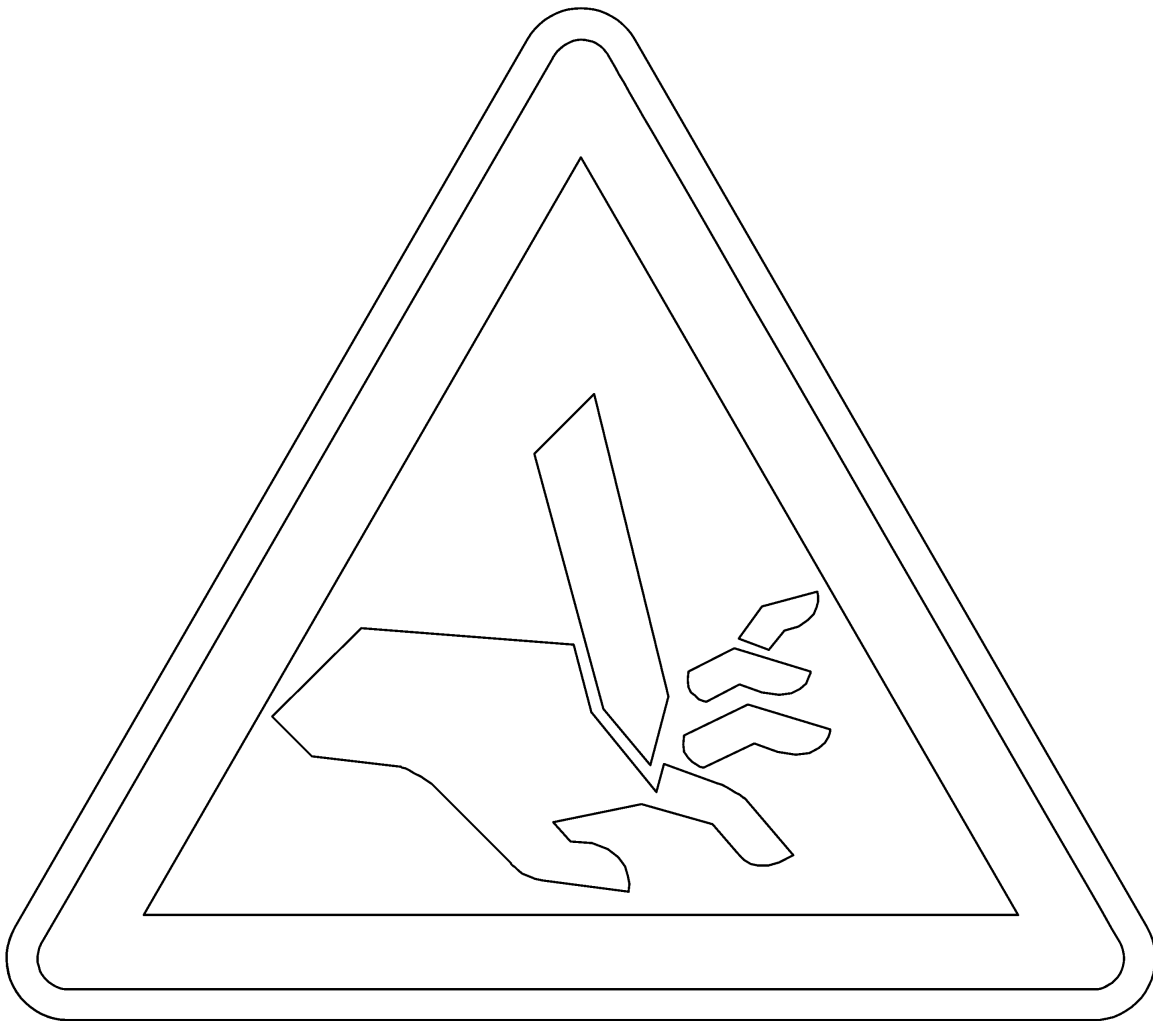
Plates and labels

available for order
Wear part
Recomm. sp. part
Metr. relevance


Material No.	Qty	Material description
38017656000	1	Warning plate

Plates and labels

38074016000



Plates and labels

Material No.	Qty	Material description	available for order	Wear part	Recomm. sp. part	Metr. relevance
38074016000	1	Warning Label Danger of Cuts SL50mm				

Plates and labels

38079377000



Plates and labels

available for order
Wear part
Recomm. sp. part
Metr. relevance

Material No.	Qty	Material description
38079377000	1	Warning Label max Product weight

Plates and labels

60804801200


SHARPEN AND LUBE DAILY

1. clean and dry blade
2. set sharpener to 1 for 30 seconds
3. then position 2 for 3 seconds

damage from neglect not covered under warranty

Plates and labels

Material No.	Qty	Material description
60804801200	1	Reference plate "Sharpen and lube daily"

	available for order
	Wear part
	Recomm. sp. part
	Metr. relevance

Plates and labels

67501163700



WARNING INSTRUCTIONS

To all customers, supervisors and operators of Bizerba equipment

Your safety is our concern

1. Use machine only for its intended purposes.
2. Before installation and operation make sure electrical specifications on machine agree with your electrical service.
3. Power supply, voltage and proper grounding to be checked by qualified and certified electrician only. Faulty connection could cause fatal injury and result in machine damage.
4. Installation, testing of operation, instruction and training of operators and staff to be carried out only by Bizerba USA Inc. or personnel authorized by Bizerba USA Inc.
5. Only adult, trained, qualified and authorized personnel is allowed to operate, clean, sanitize and maintain machine, and to sharpen blade. Instruct new personnel in strict accordance with our operating instructions.
6. Improper use could cause serious injuries and machine damage.
7. Instruction and training to be repeated frequently.
8. Safety and protective devices must not be removed or altered under any circumstances. Technical modifications are not permitted.
9. Use only original Bizerba parts, accessories and lubricants.
10. Do not install or operate machine if damaged during transport. Call Bizerba service immediately.
11. Unplug machine prior to any servicing, maintenance, cleaning, sanitizing, and inspection.
12. Machine never to be operated without supervisor.
13. Always follow safety and warning instructions as contained on warning stickers which if removed, have to be replaced immediately.

For expert help and advice, contact your local Bizerba factory authorized representative.

For service or instructions, contact

BIZERBA USA Inc.
31 Gordon Road
Piscataway, New Jersey 08854
Telephone: (732) 819-0121
Fax: (732) 819-0429

B 677 00 06

750 1163700

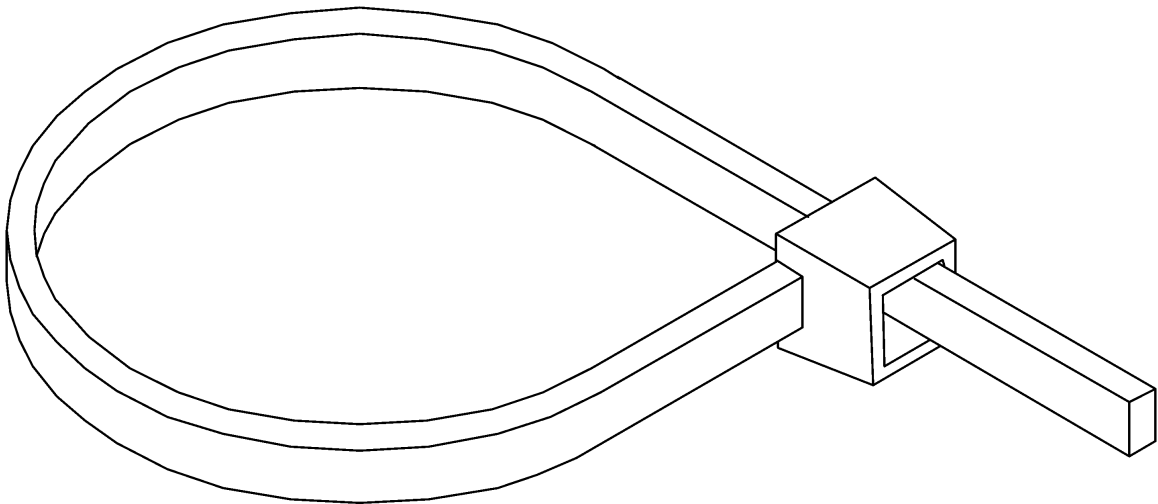
Plates and labels

available for order
Wear part
Recomm. sp. part
Metr. relevance

Material No.	Qty	Material description
67501163700	1	REFERENCE PLATE "WARNING INSTRUCTIONS"

Plates and labels

71004310000




Plates and labels

available for order
Wear part
Recomm. sp. part
Metr. relevance

Material No.	Qty	Material description
71004310000	1	Cabel Tie T18R

Plates and labels

94009990000

 **Bizerba Hotline**
T 07433 12-1300

Plates and labels

Material No.	Qty	Material description
94009990000	1	Machine sticker Hotline 1020 (70x30)

available for order

Wear part

Recomm. sp. part

Metr. relevance



Accessories



38064574000

Zubehörteile für
Präzisionsschneidemaschinen

Accessories of Precision Food Slicers

Accessoires pour trancheurs de précision

Accesorios para cortadoras de precisión

Accessori per le affettatrici di precisione

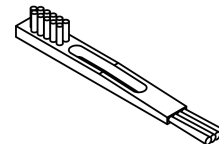
BIZERBA
WAAGEN- UND MASCHINENFABRIKEN

BIZERBA


Vor dem Schneiden Messer abwaschen und
Schnittbrett zu erwärmen. Dieses Papierfolie
auf den Schritten legen und einen Streifen
abschneiden, um Messerblatt mit Fett
zu säubern.

Clean the knife before sharpening and adjust
also thickness to it. Put this paperfilm on the
carridge and cut a strip in order to thoroughly
clean the knife-edge.

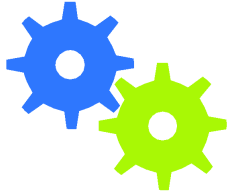
Avant d'affiler, nettoyer le couteau et régler sur
l'épaisseur de tranche voulu. Poser une feuille sur
le chariot et en couper une bande de façon
à nettoyer le biseau de toute trace de
graisse.



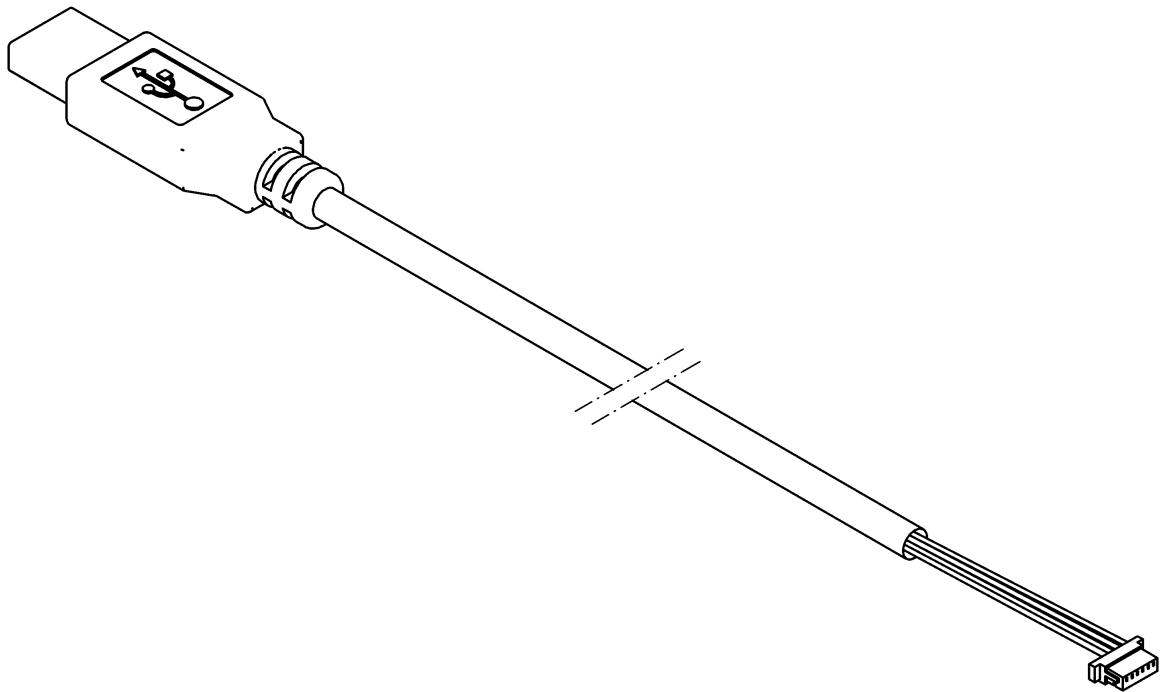
Accessories

Material No.	Qty	Material description	available for order	Wear part	Recomm. sp. part	Metr. relevance
38064574000	1	Accessories Kit for automatic Slicer				

Accessories



38086259000

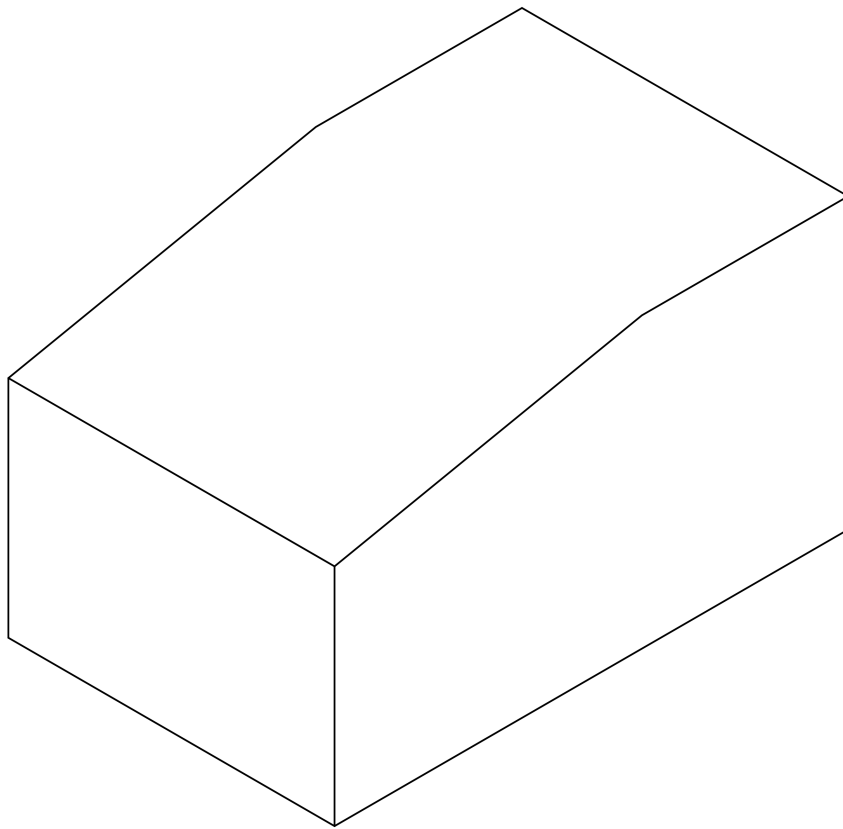


Accessories

Material No.	Qty	Material description	available for order	Wear part	Recomm. sp. part	Metr. relevance
38086259000	1	VSI calibration touch controller				


Accessories

38089962000

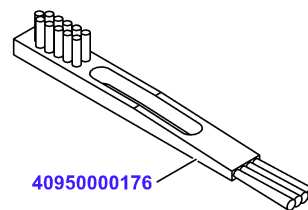
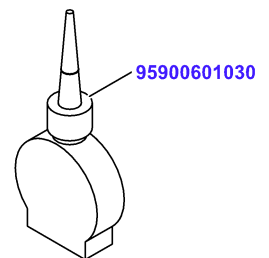
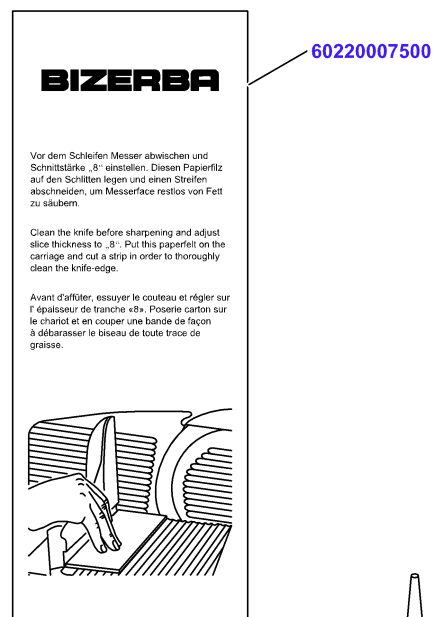
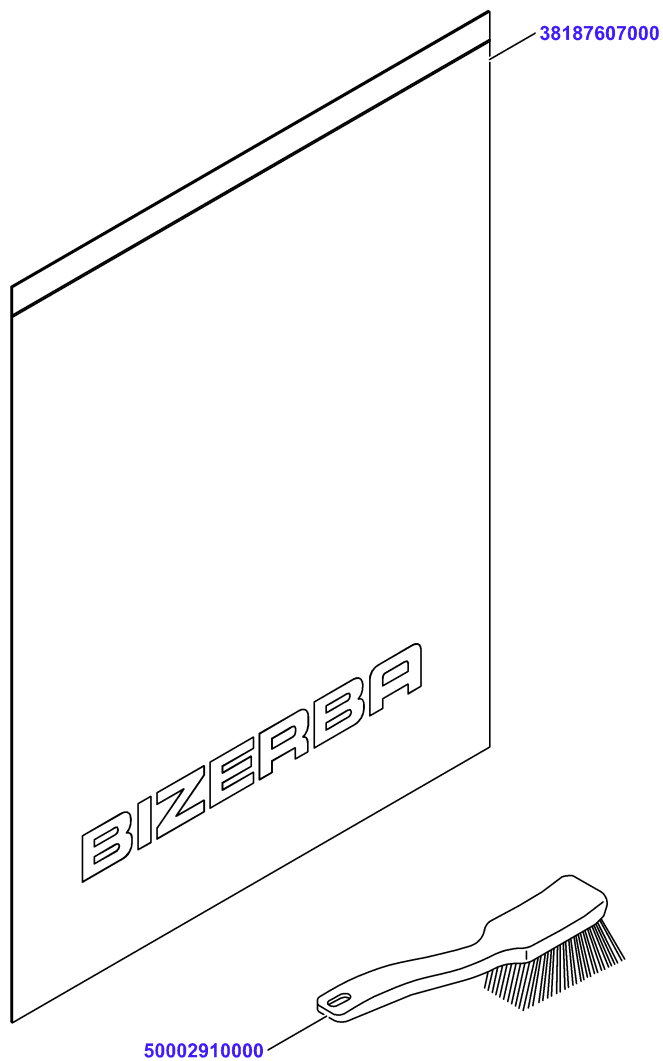


Accessories






Material No.	Qty	Material description
38089962000	1	Protective Hood VSI cpl

	available for order
	Wear part
	Recomm. sp. part
	Metr. relevance

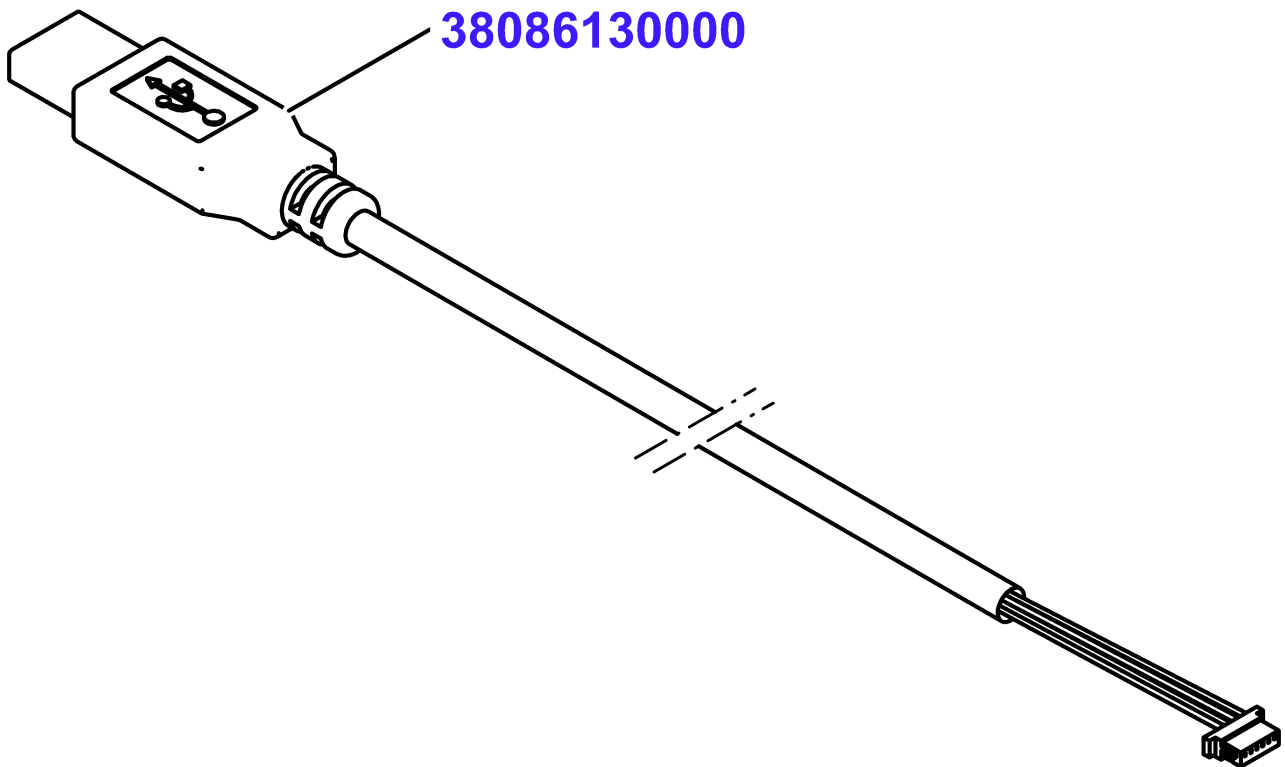
Accessories Kit for automatic Slicer



Accessories Kit for automatic Slicer

Material No.	Qty	Material description	available for order	Wear part	Recomm. sp. part	Metr. relevance
38187607000	1	Protective bag 400x300				
95900601030	1	Machinery oil H1 30ml				
40950000176	1	Brush 160x16				
60220007500	1	Paper Felt				
50002910000	1	Hand Brush 6-Row 110X290X30				

VSI calibration touch controller



VSI calibration touch controller

Material No.	Qty	Material description
38086130000	1	Ka Rd 4xAWG28 0,25m

available for order

Wear part

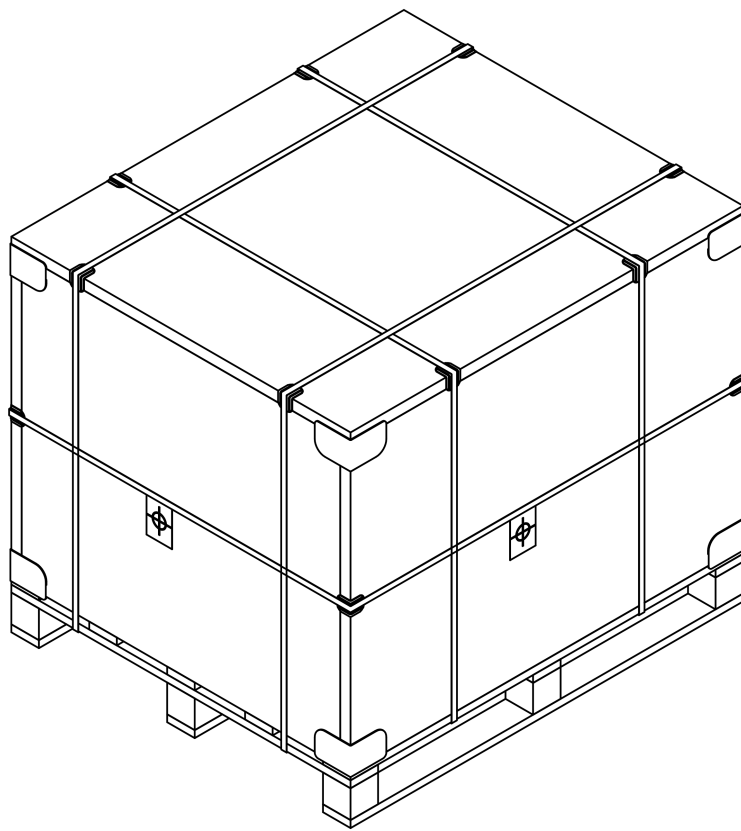
Recomm. sp. part

Metr. relevance



Packages

38019528001



Packages

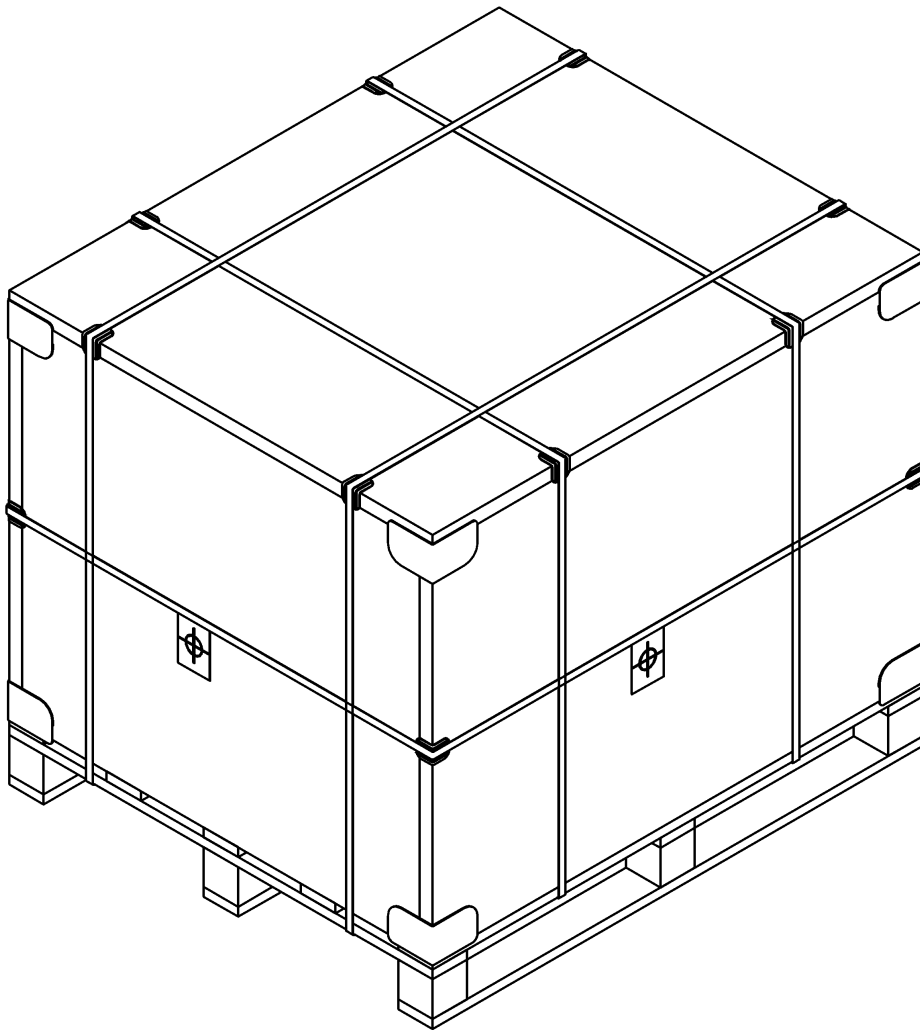
Material No. **Qty** **Material description**

[38019528001](#) 1 Packing VSI short

available for order
Wear part
Recomm. sp. part
Metr. relevance

Packages

38019528002



Packages

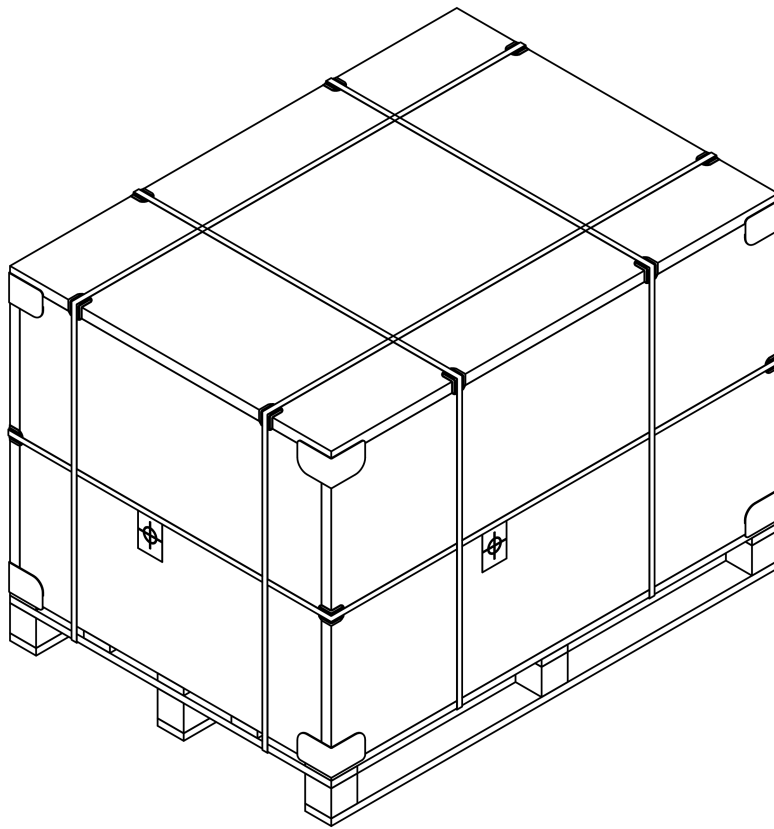
Material No. **Qty** **Material description**

[38019528002](#) 1 Packing VSI short

available for order
Wear part
Recomm. sp. part
Metr. relevance


Packages

38019533001



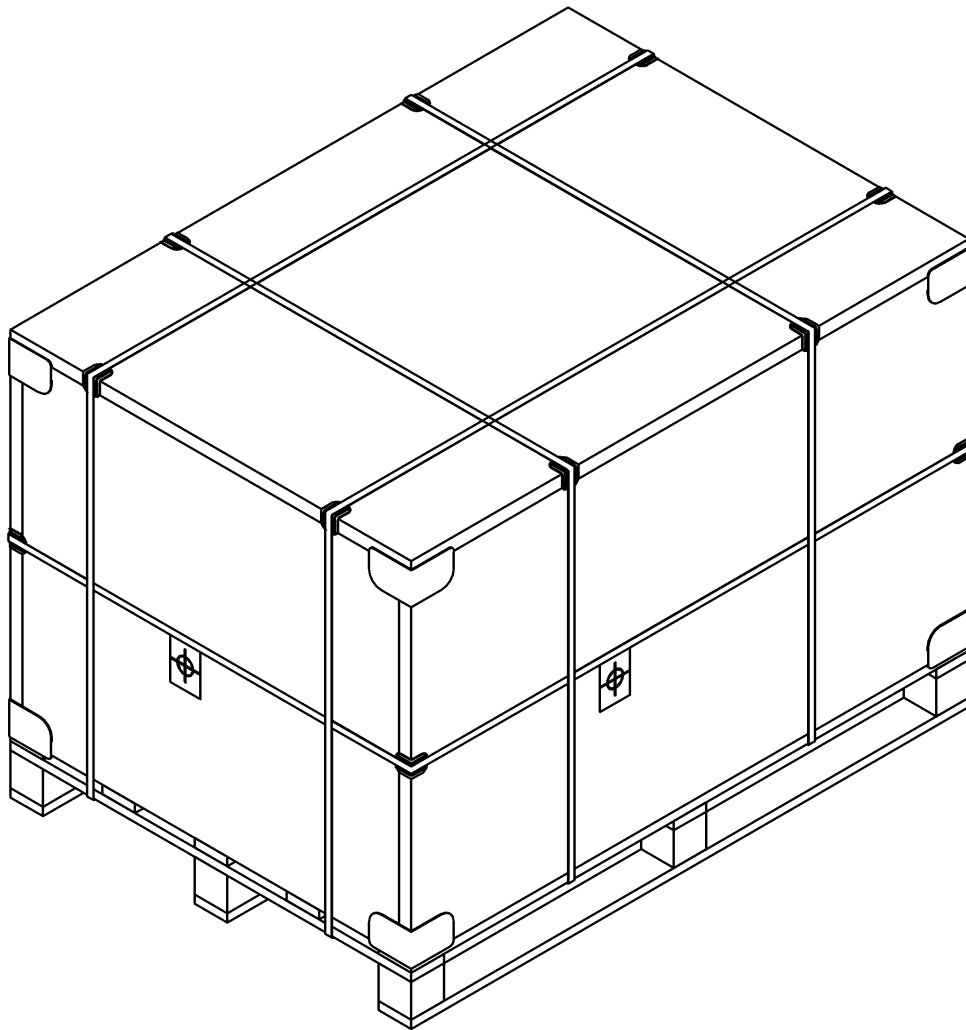
Packages

Material No.	Qty	Material description
38019533001	1	Packing VSI long

	available for order
	Wear part
	Recomm. sp. part
	Metr. relevance


Packages

38019533002



Packages

Material No.	Qty	Material description
38019533002	1	Packing VSI long

	available for order
	Wear part
	Recomm. sp. part
	Metr. relevance

Index

Material No.	Material description	Page
...	Carriage stroke 240mm up to 11540649	179
...	Carriage stroke 240mm up to 11540649	355
...	Carriage stroke 270mm as from 11540650	179
...	Carriage stroke 270mm as from 11540650	355
38000471000	Cover Motor Tower	55
38000944000	Shim ring DIN988-14x20x0,15	651, 667
38001641000	Ka Li BK 1qmm 0,080m	17, 21, 25
38002106000	Shoring bolt	89, 95
38004459000	Loctite 648	141, 143, 149, 153, 197, 221, 255, 311, 317, 323, 339, 345, 349, 373, 397, 429, 479, 659, 661, 665, 695, 701
38004695000	BUSHING 1615 DP4 (UP TO DEVICE- NO. 11442345)	557, 579
38005320001	Carriage Guide preass	529
38005320002	Carriage Guide preass.	535
38006643000	Plain bearing 10x12x12	317, 349
38007001001	Axis 18x342	261, 267, 435, 441, 485, 495
38007390001	Holder welded	323, 339
38007397000	Cantilever welded	323, 339
38007856002	Latch 17x50,5x30,4	131, 133
38007880000	washer	131, 133
38007882000	thrust washer	131, 133
38007909001	Fixing bolt	141
38008290000	Seal Carriage Plate 705x260x2	363, 387
38008369000	Seal Carriage Plate 521x260x2	187, 211
38008439000	Sealing washer M6	185, 209, 241, 267, 295, 327, 361, 385, 417, 441, 467, 495
38008604000	Cover disc 18x8	687
38008682000	cover disc long	687
38008889001	Mounting Plate cpl	669
38009292001	Slider prem	627
38009448002	Spacer sleeve	139
38009593001	Axis	153
38009906000	handwheel	689
38009954000	bearing bolt	689
38010209000	Stop - Verwendung entfallen	687
38010259000	UVV Sharpener preass. GSP	687
38010304000	Washer	689
38010548000	Housing	689
38010550000	CAM SLEEVE PREASS	619
38010612003	Belt Housing	557, 579
38010783000	pressure washer	153
38010816000	Flat spring 29,5x10x0,6	689
38010862000	Steel star handle 18,85mm, cpl.	687
38010967000	Sealing	49, 531, 537
38010980000	pressure spring	689
38010995001	pressure spring	689
38011029001	Carriage Foot low cpl	295
38011032005	Carriage Foot low mach	325

Index

Material No.	Material description	Page
38011230000	Board cpl	189, 213, 245, 271, 299, 331, 365, 389, 421, 445, 471, 499
38011439001	Carriage Plate welded	193, 217
38011932000	adjusting ring 18mm	153
38011966000	Distance bolt 10x60 M6-M6 In-Out	43
38012119000	CANopen-Compact-Bus-Coupler BK5150	679
38012465000	trust washer	531, 537
38012534004	Bearing bracket cpl	147
38012558000	Hexagon nut DIN439-M6-A2	689
38012566003	Motoric Slicing Thickness Adjustment VSI	149
38012594000	Table Drive cpl	553, 575
38013120001	switch gauge cleaning assembly	161
38013121001	switch gauge sharpen assembly	161
38013233000	Support	649
38013579004	Lever	561, 583
38013588002	Ka Rd 4x0,14qmm 1,65m	681
38013665005	Ka Rd 12x24AWG 0,87m	207, 231, 265, 281, 325, 341, 383, 407, 439, 453, 489, 507
38013981000	Carriage Plate 400 preass	185, 209
38013995000	Product Holder non folding NSF cpl	185, 209, 361, 385
38014048001	Product Holder Guide NSF cpl	195, 219, 253, 371, 395, 427, 477
38014190000	Retaining washer S6-A2	51
38014261001	Handle preass	207, 231, 265, 325, 383, 407, 439, 489
38014261002	Handle preass.	281, 341, 453, 507
38014393000	EAC mark	725
38014495000	Patchcable Cat 5e U-UTP UL 1,5m	637
38014803001	Carriage 400	181
38014804001	Carriage 400 NSF	183
38014807001	Carriage 600	357
38014812001	Carriage 600 NSF	359
38014989000	Sticker "See instruction manual"	727
38015072003	Drive Shaft	559, 581
38015379002	Cover preass.	531, 537
38015649004	Blade Guard Ring cpl	135
38015827000	Contactactor 100V 1C	25
38015882000	Product Holder Guide	309, 343
38015887001	Side Cover left	309, 311, 343, 345
38015888001	Side Cover right	309, 311, 343, 345
38016124003	weighing cell with cable 0,90m	567, 589
38016222002	Bar	311, 345
38016484000	Cradle Clip C3	17, 21, 25, 43
38016488000	Retaining Ring R3	17, 21, 25, 43
38016956002	Beam with studs	161
38017656000	Warning plate	729
38017775000	Cap Nut	567
38017809000	Flexcable FFC 20pol 342mm	529, 535
38018276000	Shim ring DIN988-30x42x0,2	87, 93

Index

Material No.	Material description	Page
38018499000	Thread Bolt	529, 535
38018660001	Magnet preass	207, 231, 265, 281, 325, 341, 383, 407, 439, 453, 489, 507
38018783001	Driving Pin	609
38019042000	Ka Li BK 0,200m	643
38019337000	Support	569, 591
38019528001	Packing VSI short	753
38019528002	Packing VSI short	755
38019533001	Packing VSI long	757
38019533002	Packing VSI long	759
38019687000	Location bolt HD 16x10,9 K	141
38019763000	Comp. spring 28x24,8x68,5x11,65-0,89	153
38019897002	Plastic roller cpl	619
38019938003	Table Mounting Scale cpl	545
38019938004	Table Mounting Scale cpl	547
38020122003	Shaft	557
38020122004	Axle 16f7 x 595	579
38020950000	Mushroom head screw M6x25-A2-70	65
38020990000	Gas Spring Carriage 400 cpl	185, 209, 241, 295
38021160000	Gas Spring Carriage 600 cpl	361, 385, 417, 467
38021201000	Wing screw M6x10-1.4308	323, 339
38021669000	Threaded flange bolt	649
38022819000	Mushroom head bolt DIN603 M6x40-A2-70	651, 667
38022882001	Connecting Rod preass	651, 667
38022925005	Bearing bracket preass	153
38022965002	Power Supply 220-240V cpl	11
38023142002	Power Supply 100-120V cpl	13
38023208000	Sealing	557
38023208001	Sealing	579
38023381001	Sealing	573, 595
38023436000	GROOVED BALL BEARING 627 2RSVA WITH BARR	619
38023437000	Grooved Ball Bearing 608 2RSVA with Barr	619
38023683000	Thermal Pad 38x52x0,2 pink	19, 23, 27
38023697000	Toothed belt 9 S3M3x225	607, 611
38023702000	Toothed belt 8 S3M3x633	557, 579
38023711001	Toothed Belt STS 200 HP S5M 1000 NG	175
38023714000	Grooved ball bearing DIN625 8x22x7	559, 581, 609
38023910001	Option Scale Terminal bottom cpl	671
38025716000	stop pin	123
38025717003	Blade Removing Bolt preassembled	123
38026188000	Plain bearing 18x20x15	317, 349
38028810000	adjusting bolt	143
38029152000	seal CT501	635
38029603000	Protective plug 7x3,2x1,3-PE	567, 589
38030419000	thrust washer	51
38031197001	Thread Bolt M4	41, 53
38032111003	Lever	161
38033279003	Fixing Block	155

Index

Material No.	Material description	Page
38033783001	Torsion Spring 13,4x5,1x1,2x15/20	493, 511
38034181000	Driver premounted	155
38036025000	Motor VS 12 DRS 100V/50HZ thermal prot.	91, 97
38036078002	torsion spring left	197, 221, 255, 373, 397, 429, 479
38036187000	cover	197, 221, 255, 373, 397, 429, 479
38036193002	Cylinder screw DIN912 M10x30-A2-70	147
38036225000	seal	197, 221, 255, 373, 397, 429, 479
38037789000	shaft	227, 379
38038401000	washer	197, 221, 255, 285, 373, 397, 429, 457, 479, 519
38038403001	Bushing 19,1x10,7x5	197, 221, 255, 285, 373, 397, 429, 457, 479, 519
38038982000	Gripper Shaft cpl.	201, 225, 259, 283, 321, 351, 377, 401, 433, 455
38038989000	Gripper Shaft cpl.	201, 225, 259, 283, 321, 351, 377, 401, 433, 455
38038997000	Gripper Shaft cpl.	321, 351
38039995000	Clamping Plate	557, 579
38040002001	Socket	557
38040002002	Socket	579
38040006002	Bushing	559, 581
38040019001	Distance	571, 593
38040456000	Pin	565, 587
38041339001	Deposition Table compl. VSI	549
38041346000	Depositing Table welded	597
38041981001	Fastener	567, 589
38043011000	Torsion Spring	619
38044136000	LOCKING SCREW	227, 261, 379, 435, 485
38044136001	Handle with screw M6 x 14,75	279, 451, 505
38044231000	Protection Cap Flangehousing	43
38045862000	Toothed washer DIN6797-A 6,4-A2	53
38047246000	Protective plug 15x8x6,9-PE	67, 73
38047452000	Cylinder screw ISO14579 M5x8-A2-70-T25	557, 579
38047482001	Holder cpl.	17, 21, 25
38048104000	Oval-head screw ISO14583 M3x4-A2-70-T10	639
38048118000	Oval-head screw ISO14583 M6x20-A2-70-T30	557, 579, 607, 611
38048120000	Oval-head screw ISO14583 M6x25-A2-70-T30	687
38048172000	Cylinder screw ISO14579 M4x16-A2-70-T20	141
38048258000	Cylinder screw ISO14579 M8x20-A2-70-T45	39
38049335000	Thermal Pad	19, 23, 27
38049597001	Top Hat Rail L250	677
38050013007	Bearing Pedestal	91, 97
38050217000	Lever cpl	557, 579
38050222002	Bushing preass	557, 579
38050314000	Support motortower cpl	39
38050419001	Guide cpl	557, 579
38050460001	Belt Housing cpl	555

Index

Material No.	Material description	Page
38050460003	Belt Housing cpl	577
38050479000	Support cpl	553, 575
38050654000	Motor horizontal preass	571, 593
38050665001	Cover preass	553, 575
38050679004	Motor Long Carriage BG75x75	171
38050679005	Motor Long Carriage BG75x75	175
38050732004	Depositing Arm Lever cpl.	649, 663
38050845000	Deflector Ring	197, 221, 255, 285, 309, 343, 373, 397, 429, 457, 479, 519
38051119000	Tightening Roll cpl	563, 585
38051977001	Guide	563, 585
38053193001	Washer	559, 581
38053387008	Blade Guard Ring	141
38053881002	Bolt 14f8 x 48	531, 541
38053882002	Eccentric Bolt 15f8 x 48	531, 539
38053903002	Clamping Plug	529, 535
38053905004	Carriage Shaft 25 x 579,5	529, 535
38053906004	Guide rail 28 x 15 x 400	529, 535
38053907002	eccentric	529, 535
38053929003	Stop Bolt	207, 231, 265, 281, 325, 341, 383, 407, 439, 453, 489, 507
38053930002	Shaft 12f7 x 115	529, 535
38053945001	Board	189, 213, 245, 271, 299, 331, 365, 389, 421, 445, 471, 499
38053947001	Mounting with Shaft	323, 339
38053948002	Flange	187, 211, 243, 269, 297, 329, 363, 387, 419, 443, 469, 497
38053972002	Guide Rail 400er	187, 211, 243, 269, 297, 329
38054000001	Tensioning roller 18 x 9 x 8H11	565, 587
38054087002	Mounting Bracket	51
38054089002	cover inside	49
38054098002	Seal	49
38054179000	Set screw DIN438 M8x10-A2-70	197, 221, 255, 285, 311, 345, 373, 397, 429, 457, 479, 519
38054188002	Frame Scale cpl	555
38054188003	Frame Scale cpl	577
38054219008	Blade Drive VSI cpl	83
38054234003	Sealing	533, 543
38054235001	Overload preass	567, 589
38054302000	Gasket	193, 217, 251, 277, 305, 337, 369, 393, 425, 449, 475, 503
38054360001	Carriage drive cpl	167
38054360002	Carriage Drive cpl.	169
38054361001	Bearing housing cpl	171, 175
38054363001	Guide roller cpl	171, 175
38054461000	Plate	193, 217, 251, 277, 305, 337, 369, 393, 425, 449, 475, 503
38055215003	Bolt	627
38055298006	Plate	623
38055365008	Interlock	207, 231, 265, 325, 383, 407

Index

Material No.	Material description	Page
38055365008	Interlock	439, 489
38055378004	Hexagon nut	207, 231, 265, 281, 325, 341, 383, 407, 439, 453, 489, 507
38055565003	Switch Rod long	597
38056112004	Gauge Plate	163
38056198003	Bearing Bushing preass	651, 667
38056697003	Depositing Arm cpl	653
38056697005	Depositing arm cpl	655, 663
38056785002	Support bottom	141
38056916001	stop cpl	651, 667
38057018000	Protective cap AK22RRSW	645
38057041000	Set screw ISO4026 M6x30-A2-70	149
38057360002	Bolt cpl	311, 345
38057374000	Hexagon nut ISO7042-M10-St	147
38057528001	Cover 255,4x177,4x2	187, 211, 243, 269, 297, 329
38057548001	Seal	189, 213, 245, 271, 299, 331, 365, 389, 421, 445, 471, 499
38057559001	Seal Cover	187, 211, 243, 269, 297, 329
38057598000	Ka Li GN/YE AWG18 0,22m	41
38057643002	Plate	73, 79
38057723003	Cover 378x119,1x2	363, 387, 419, 443, 469, 497
38057735002	Guide Rail 600er	363, 387, 419, 443, 469, 497
38057740001	Seal long	363, 387, 419, 443, 469, 497
38057747002	Threaded Bolt M12x1x14	157
38057764007	Terminal Mounting Kit top cpl.	631
38057765005	Terminal Front cpl.	633
38057976000	K-Bus Termination Fitting KL9010	679
38058121002	Bolt 15 x 25	171, 175
38058149000	2-Channel Digital Output Terminal 24VDC	679
38058151000	2-Channel Digital Input Terminals 24VDC	679
38058289002	Sealing	45
38058837001	Adapter	687
38058840003	Clamp piece	687
38058901002	Sealing	531, 539
38058905002	Cover	531, 539
38058974001	Tappet	621
38058976006	Slider Mounting cpl	621
38058991000	Slider cpl	621
38058995003	Bushing	619
38059010003	Catching Bolt	43
38059015006	Slider Mounting	623
38059028010	Chainframe stainless cpl. VSI	615
38059167000	Comp. spring 9,5x7,7x43x13,49-0,86	627
38059518003	Gauge plate C	165
38059616003	Terminal Front and CPU	635, 637
38059871001	Gasket	173, 177
38060032001	Sealing	47
38060110003	Setup preass.	79

Index

Material No.	Material description	Page
38060116002	Cover Drivehousing prem	41
38060163002	Sealing	187, 211, 243, 269, 297, 329, 363, 387, 419, 443, 469, 497
38060220002	Setup VSI w. Service Cover cpl.	69
38060260002	Frame with Installation Bars	75
38060292008	Housing W Dt	29
38060298003	Cover	77
38060313004	Service Cover prem.	75
38060321002	Sealing	77
38060561000	Screw seal M6	73, 79
38060597009	Carriage Foot high mach	207, 231, 265, 383, 407, 439, 489
38060848008	Carriage 400 Cast machined	187, 189, 211, 213
38061178002	Belt Pulley S3M Z15 cpl	559, 581
38061363001	Cover Motor Tower prem	53
38061364002	Sealing	55
38061502003	Holder	311, 345
38061585002	sealing	187, 211, 243, 269, 297, 329, 363, 387, 419, 443, 469, 497
38061616001	Mounting with Shaft	203, 403
38061628001	Product Supporter top cpl	185, 385
38061639001	Product Supporter top NSF cpl	209, 361
38061640001	Mounting welded	227, 261, 279, 379, 435, 451, 485, 505
38061810001	Screw Nut	197, 221, 255, 311, 345, 373, 397, 429, 479
38061826004	Holder	197, 221, 255, 373, 397, 429, 479
38061833005	Product Holder Guide	197, 221, 255, 373, 397, 429, 479
38061839003	Bolt NSF cpl	197, 221, 255, 373, 397, 429, 479
38061844001	Sleeve	197, 221, 255, 373, 397, 429, 479
38062047011	Frame cpl. VSI	619, 621
38062109001	Distance Piece	619
38062110005	Fixing mach Schubert-Salzer	619
38062917001	Carriage Plate Template preass	361, 385
38062958001	Spacer	467, 495
38062959002	Angle	467, 495
38063150004	Ka Rd 5G0,5 1,65m	643
38063163003	Ka Rd 4x0,14 1,30m	679
38063164003	Ka Rd 4x0,14 1,15m	681, 683
38063176002	Ka Rd 4x0,14 0,66m	59
38063180003	Ka Rd 4x0,14 1,05m	59
38063189004	Ca Rd 2x0,75 0,29m	59
38063227003	Ka Rd 8x2x0,14 0,50m	59
38063233002	Ka Rd 2x0,75 0,77m	59
38063236004	Ka Rd 3x2x0,25 1,35m	643
38063237004	Ka Rd 2x2x24AWG 0,87m	59

Index

Material No.	Material description	Page
38063238003	Ka Rd 2x2x24AWG 0,29m	59
38063240003	Ka Rd 2x2x24AWG 0,15m	679
38063245003	Ka Rd 4x0,14qmm 0,70m	683
38063248003	Ka Rd 2x0,34 1,05m	59
38063249007	Ka Rd 2x2xAWG26 0,38m	59
38063261002	Sensor product feeding 1 VSI	189, 213, 245, 271, 299, 331, 365, 389, 421, 445, 471, 499
38063262003	Sensor product feeding 2 VSI	189, 213, 245, 271, 299, 331, 365, 389, 421, 445, 471, 499
38063351002	Screw	147
38063409000	Paper Holder short cpl	597
38063445001	Product supporter cpl	141
38063484000	Paper Holder long cpl	597
38063531000	Switch Rod short cpl	597
38064354002	Gauge plate base preass	147
38064413008	Blade Guard Ring preass	139
38064424004	Carriage Foot high cpl	185, 209, 241, 361, 385, 417, 467
38064470008	Gauge plate drive VSI cpl	145
38064488002	Connector ribbon cable	49
38064519003	Carriage 400 cpl	185, 209
38064523003	Carriage 600 cpl.	361, 385
38064573002	Grinder VSI 330 cpl.	685
38064574000	Accessories Kit for automatic Slicer	743
38064575002	Carry Handles Set VSI	31
38064576005	Blade cover cpl.	127
38064577003	Blade cover cpl. C	129
38064629002	Motor cpl	87, 93
38064640003	Blade bearing cpl	87
38064681005	Depositing Drive cpl	647
38065278001	Drive Chainframe cpl	603
38065278002	Drive Chainframe cpl	605
38065295002	Chaindrive preass	607, 611
38065308000	Chain Drive Shaft cpl	607
38065308001	Chain Drive Shaft cpl	611
38065411000	Clamp cpl	91, 97
38065468002	Belt Pulley Z 42 HTD 3M	607, 611
38066055001	tube	51
38066284000	Handle	193, 217, 369, 393
38066374001	Chain	621
38066532000	Cable set standard	39
38066789001	USB-Socket RRJ USB 0.28m	645
38066866001	Tappet	87, 93
38067026001	Depositing Magnet	649
38067253003	Stop	531, 537
38067637008	Carriage 600 cast machined	363, 365, 387, 389
38067777001	Blade 330 C Slayer Service	99
38067989000	O-ring 58,42x2,62 NBR	89, 95
38068508001	Adaption bolt	153

Index

Material No.	Material description	Page
38068539002	Setup VSI cpl.	71
38068570002	Setscrew	531
38068570003	Hexagon Screw M16xM10x30x19 CuZn	537
38068904003	Housing, display 260,4 x 161,3 x 80,3	645
38069023001	Holding Block	533, 543
38069426002	flange	171, 175
38069427002	Traverse	171, 175
38069450003	Mounting Kit top cpl	643
38069969000	Ca Stw BK AWG18 0,160m	17, 21, 25
38070066001	Cover	43
38070080000	Washer	189, 213, 245, 271, 299, 331, 365, 389, 421, 445, 471, 499
38070090000	Sealing	189, 213, 245, 271, 299, 331, 365, 389, 421, 445, 471, 499
38070559002	Handle preass	61
38070606000	Cover prem	43
38070612003	Beam preass	149
38070669001	lever	161
38070671002	Support rail	149
38070904002	Spacer	149
38071042000	Hexagon screw DIN933 M5x25 A2-70	289, 345, 461, 523
38071078000	bar	317, 349
38071104001	Bottom Plate with Installation Bars	81
38071144001	Mounting Plate	677
38071145001	Protection Plate	53
38071250000	Nut	687
38071339002	Handle long preass	61
38071862000	brake pad	201, 225, 259, 283, 321, 351, 377, 401, 433, 455
38072057000	Washer DIN125-A-4-PA6	189, 213, 245, 271, 299, 331, 365, 389, 421, 445, 471, 499
38072091000	Wiper ring 22x16x4	557, 579
38072286002	Sealing	75, 81
38072416000	Set screw DIN551 M6x12	561, 583
38072508000	O-ring 10x1,5 NBR	629
38073213002	Carriage Plate welded	369, 393
38073996000	Distance bolt SW7x6 M4-M4 In-Out	189, 213, 245, 271, 299, 331, 365, 389, 421, 445, 471, 499
38074013000	Shim ring DIN988-25x35x0,1	187, 211, 243, 269, 297, 329, 363, 387, 419, 443, 469, 497
38074016000	Warning Label Danger of Cuts SL50mm	731
38074167000	Contactora 220-240V/40-450Hz B7-30-10	17
38074236000	Contactora 110-127V/40-450Hz B7-30-10	21
38074301000	Buffer 20xM6x23-l	567, 589
38074338000	Thermistor NTC 5 Ohm 20% 6,7W 9,5A	17, 21, 25
38074804000	Ca Rd 2x0,5qmm 0,45m	17, 21, 25
38074856000	Feeder Adapter	483, 517
38075057000	Hexagon Screw DIN 933 M6x45-A2-70	51, 151, 153
38075543000	Mounting Pin	197, 221, 255, 285, 311, 345, 373, 397, 429, 457, 479, 519

Index

Material No.	Material description	Page
38075547000	Parallel Pin 8x15	197, 221, 255, 285, 311, 345, 373, 397, 429, 457, 479, 519
38077052000	Screwless End Clamp	17, 21, 25, 677, 679
38077279000	Disk	139
38077332003	Thrust washer 13,8x8,2x0,18	73, 79, 139, 619
38077348000	Disk	139
38077825000	Shim ring DIN988-3x6x0,2	649
38077829000	Shim ring DIN988-3x6x0,1	649
38077837000	Brake Pulley	139
38077867000	Magnet Base	197, 221, 255, 285, 311, 345, 373, 397, 429, 457, 479, 519
38078017000	Knurled Nut M10	147
38078110000	Washer	147
38078138000	Set screw ISO4026 M10x60	147
38078241000	Gear Wheel	187, 211, 243, 269, 297, 329, 363, 387, 419, 443, 469, 497
38078714000	Ca Rd 2x0,75qmm 0,38m	17, 21, 25
38078918000	Hexagon Screw M4x8 A2-70 rounded head	619
38079008001	Screw Plug Machine Housing cpl	33
38079016000	Screw Plug Drive Housing cpl	35
38079079000	Driver	619
38079377000	Warning Label max Product weight	733
38079863001	Castor cpl	695
38079967000	Option I/O-Module	673
38080079000	I/O M12 Connector	679
38080235000	Thread Bushing M30 x 40 x M24	695, 701
38080336000	Blade 330 Cr Chiaravalli Service	101
38080435002	Frame cpl welded	567
38080435003	Frame cpl welded	589
38080499000	Distance 5mm	567, 589
38080574000	Cable Clip	567, 589
38080797000	Star Knob	629
38080991001	Shaving Deflector	617
38081297001	Deflector 330 VSI machined	143
38081300001	Deflector preass	137
38081340000	Mounting preass	141
38082171000	Fastening Clip 3mm closed metal	41
38082384000	Carriage Plate 400 preass	295, 327
38082423000	Clamping plate	629
38082427000	Carriage Plate 400 preass	241, 267
38082431000	Carriage Plate Template preass	417, 441, 467, 495
38082433000	Carriage 400 with Peaks	233
38082441000	Carriage 400 NSF	235
38082457000	Carriage 600 NSF	409
38082476000	Carriage 600 template	411
38082477001	Carriage 600 cast machined	419, 421, 443, 445, 469, 471, 497, 499
38082541001	Carriage 600 cpl.	417, 441, 467, 495
38082643004	Stand mobile cpl	691

Index

Material No.	Material description	Page
38082662004	Stand welded	695, 701
38082722002	Carriage 400 Cast machined	243, 269, 297, 329
38082723001	Carriage 400 cpl	241, 267, 295, 327
38082937000	Lever compl for the Product Holder	309, 343
38082945000	Product Holder folding upwards preass	307
38082945001	Product Holder folding upwards preass.	327
38082951000	Product Holder folding upwards cpl	295
38082955000	Product Supporter horizontal cpl	295, 327
38083128001	Shaft preassembled	629
38083132001	Product Holder cpl. VSI	253, 267, 427, 441
38083144000	Product Holder non folding NSF cpl	241, 417
38083154002	Lever	697
38083162000	Product Supporter top NSF cpl	241, 417, 467
38083162002	Product Supporter top NSF cpl	267, 441, 495
38083169001	Carriage guide cpl.	525
38083169002	Carriage Guide cpl.	527
38083190001	Lever cpl.	695
38083207002	Stand stationary cpl	693
38083256000	Protective plug 17,1x16,2x8-PE	139
38083947000	Distance bolt SW7x45 M4-M4 In-Out	17, 21, 25
38084240002	Helical Gear Wheel preass.	557, 579
38084400000	Machine Housing cpl.	39
38084406002	Motor Tower W Dt cpl	39
38084446003	Drive Housing Dt cpl	39
38084720001	Option Scale Terminal top cpl	675
38084852000	Power Connection Cable AC EURO L2,5m cpl	705
38084853000	Power Conn. Cable USA CAN cpl	707
38084890000	Cap preass	207, 231, 265, 281, 325, 341, 383, 407, 439, 453, 489, 507
38086126000	Motor Product Feeding BG42x15 cpl	189, 213, 245, 271, 299, 331, 365, 389, 421, 445, 471, 499
38086130000	Ka Rd 4xAWG28 0,25m	751
38086177000	Covering Cap Set Carry Handles	37
38086202001	Name Plate VSI	721
38086202002	Name Plate VSI	723
38086259000	VSI calibration touch controller	745
38087414000	metal sheet insert cpl mach	467, 495
38087470000	Ka Li GN/YE AWG18 0,5m	73, 79
38087604000	Connector Metal Bayonett RJ45 Ethernet	43
38087984000	Bolt	659
38088223000	Fastening Socket 9mm	53
38089962000	Protective Hood VSI cpl	747
38090174000	Housing with Frame Scale preass	553
38090174001	Housing with Frame Scale preass	575
38090248000	Magnet Vacodym 370 wz round 10x4 preass	197, 221, 255, 285, 311, 345, 373, 397, 429, 457, 479, 519
38090809000	Depositing angle preass	659
38091635000	Spirit Level preass	695, 701
38091672001	Power Supply 100V cpl	15

Index

Material No.	Material description	Page
38091889000	Power Connection Cable UK cpl.	709
38091890000	Power Connection Cable AU cpl.	711
38091891000	Power Connection Cable BR cpl.	713
38093076000	Packaging Stand mobile VSI cpl	695
38093077000	Packaging Stand stationary VSI cpl	701
38093767000	Wave Washer 36x25,2x3	317, 349
38097519000	Sleeve 18 x 10 x 24.25	245, 271, 299, 331, 421, 445, 471, 499
38098326000	Power Connection Cable CH cpl.	715
38098327000	Power Connection Cable AR cpl.	717
38099340001	Carriage Plate welded	305, 337
38099345001	Carriage Plate welded	251, 277
38099348002	Carriage Plate welded	425, 449, 475, 503
38099356001	Holder preass.	259, 283, 433, 455
38099371000	Bearing rail preass.	317, 349
38099374010	Rubber Buffer	531, 537
38099376001	Handle	251, 277, 305, 337, 425, 449, 475, 503
38100135001	Flat Seal Carriage Plate 400	243, 269, 297, 329
38100136001	Flat Seal Carriage Plate 600	419, 443, 469, 497
38100407000	Product Holder Template cpl	467
38100408000	Product Holder cpl. Carriage guide ruler	477, 495
38100409000	Product Holder with guide feeder	483, 517
38100991000	Carriage Foot low hygienic mach	341
38100993000	Carriage Foot high hygienic mach	281, 453, 507
38101899000	Cap nut DIN986-M4-A2	123, 635
38103321002	Blade Removal Device preassembled	121
38103323001	Safety Disk 331,5x3	123
38103348002	Blade removal device 330 V2A	111
38103372001	Cover	125
38103484000	Gear Wheel	243, 269, 297, 329, 419, 443, 469, 497
38103487000	Ring	249, 275, 303, 335
38103487001	Ring 12x20x15H7	423, 447, 473, 501
38103488000	feed spindle ass.	243, 269, 297, 329
38104044000	Torsion spring left	285, 457, 519
38104074001	Bolt NSF cpl	285, 457, 519
38104363000	Interlock	281, 341, 453, 507
38104587001	Feedspindle 721xTR20X12 ass.	419, 443, 469, 497
38104792000	Shim ring DIN988-10x16x0,1	619
38105040001	Product Holder Guide	285, 457, 519
38105058001	Bushing 19,5/18x10,2x21	285, 457, 519
38105330002	Ring Plate	123
38105347000	Parallel key DIN6885-A 5x3x14	243, 269, 297, 329, 419, 443, 469, 497
38105535000	Toothed belt 10 5x410	171, 175
38105536000	Toothed belt 10 5x1000	171
38105667001	Blade 330 1.4034 HCov 2M6 Slayer	113
38105847000	Cap nut-M8 -1.4404	589

Index

Material No.	Material description	Page
38105849000	Cap nut-M6 -1.4404	49, 171, 175
38106157000	Sealing Gauge Plate with Stiffening Ring	147
38106634000	Lock nut ISO10511-M4-A4	131, 133, 597, 643
38106851000	Power Connection Cable DK cpl	719
38106901000	Cover preassembled	121
38106905000	Centering Pin	125
38106967000	Distance Plate	123
38107971000	Blade 330 Cr HCov 2M6 Chiaravalli	115
38109135000	Grooved nut M12 x 0.5	285, 457, 519
38109636000	Shim ring DIN988-12x18x0,2	285, 457, 519
38109639000	Safety plate DIN5406-MB1	285, 457, 519
38109705000	Shaft seal 12x18x3	285, 457, 519
38110921001	Blade Bearing one-piece cpl.	93
38111007000	Blade Drive one-piece VSI cpl.	85
38111119000	Blade 330 1.4034 HCov 2M6 Slayer Service	117
38111166000	Blade 330 1.4034 HCov Slayer	103
38111167000	Blade 330 1.4034 HCov Slayer Service	105
38112254001	Setup w. Service Cover preass.	73
38112257000	Washer 14.15x24x1	651, 667
38112386000	Product Holder Guide NSF cpl	267, 441, 495
38112388000	Holder	289, 461, 523
38112404000	Spacer plate 40x40x10	289, 345, 461, 523
38113203000	cover	285, 457, 519
38113204000	Seal 47x40x1	285, 457, 519
38113733000	Holder preassembled	285, 457, 519
38114774000	Prog.+PCBA VSI Power Supply 230V + therm	17
38114778000	Prog.+PCBA VSI Power Supply 120V + therm	21, 25
38116739001	Carriage Foot low cpl.	327
38116768000	Gas pressure spring carriage 400 cpl	267, 327
38116888001	Carriage 400 with Peaks	237
38116977001	Carriage Foot high cpl.	267, 441, 495
38116978001	Carriage 400 NSF	239
38117001000	Gas pressure spring carriage 600 cpl	441, 495
38117002002	Carriage 600 NSF	413
38117005001	Carriage 600 template	415
38117709000	Chain Drive Shaft preass	613
38117753001	Nut Plate TR20X12P4	289, 345, 461, 523
38117826000	Threaded bolt DIN 913-M8x80-A2	87, 93
38120405000	Label Softw. License Win Compact 2013 GE	639
38122147000	Depositing Arm Lever soldered	651, 667
38124200000	Hexagon nut DIN 439 B M16x1.5-A2	537
38127766000	Depositing Angle cpl.	661, 665
38128023000	Service kit VSI- connect. depositing arm	657
38132202000	Lever with pin	317, 349
38132485000	Washer 6,3x12x0,5	689
38139814000	Screw DIN963 M6x12-A2 - Precote 80-8	419, 443, 469, 497
38140048002	Plug for 18x33	643
38146758001	Cover bracket	533, 543

Index

Material No.	Material description	Page
38177171000	Terminal Mounting Kit top preassy.	643
38187607000	Protective bag 400x300	749
38900044000	Shim ring DIN988-6x12x0,5	161
38900056000	Oval-head screw DIN7985 M6x30-A2-70	689
38900060000	Washer DIN125-A-3,5-A2	687
38900065000	Cylinder screw DIN912 M6x22-A2-70	651, 667
38900080000	Shim ring DIN988-8x14x0,1	565, 587
38900124000	Cylindrical pin EN 22338-8m6x40-A2	483, 517
38900143000	Countersunk screw DIN965 M5x20-A2-70-T25	557, 571, 579, 593
38900186000	Cylindrical pin DIN7-4m6x28-A2	323, 339
38900187000	Set screw ISO4026 M6x10-A2-70	567, 589
38900192000	Set screw ISO4026 M3x3-A2-70	155
40110201002	Washer 40x18,15x1 - POM	317, 349
40110201009	Washer	317, 349
40220000202	Plug Black 16x6,5x12,2 Knurled	131, 133
40220102500	roller	531, 539
40220601100	Locking washer 11x5,4x1,5	689
40300900006	slide pin	561, 583, 629
40510200086	Pressure spring	201, 225, 259, 283, 321, 351, 377, 401, 433, 455
40510200211	tension spring	317, 349
40510400159	pressure spring	323, 339
40510600008	pressure spring	597
40530203201	push button	201, 225, 259, 283, 319, 353, 377, 401, 433, 455
40530203302	sliding piece	201, 225, 259, 283, 377, 401, 433, 455
40530203400	buffer	323, 339
40950000176	Brush 160x16	749
46121300020	PRESSURE SPRING 6121300020	323, 339
50002050000	O-ring DIN3771 27,5x2 NBR	613
50002170000	O-ring DIN3771 12x1,5 NBR	569, 591
50002420000	Protective plug 14,5x12,4x9,5-PE	659, 661, 665
50002910000	Hand Brush 6-Row 110X290X30	749
50003040000	Protective plug 11x5x6-PE	143
50003410000	Wiper ring 30x20x7	187, 211, 243, 269, 297, 329, 363, 387, 419, 443, 469, 497
50003640000	O-ring DIN3771 6x1,5 NBR	63, 65
50005040000	Plain bearing w. flange 6x12x8x4	91, 97
50009771000	V-ribbed belt 10 PJ 457	87, 93
50010310000	Bizerba Lettering L255 H30	57
50250100000	Grounding Plate 9x17/4.3 D	49, 77, 81, 637
50281130000	Disc spring 12x4,2x0,5	597
50305490002	V-Sealing Ring 25x33x7,5 coated	649, 663
50373961000	Disc magnet 10x6	141
50383220000	Pivot foot 80x254-M24x222-10°	695, 701
50720600000	Wheel 100x15x37-160	697
50828480000	Protective Plug 11.12249 PE-LD	139
51488600000	Warning Plate Hand Injury 7.29K	207, 231, 265, 281, 325, 341

Index

Material No.	Material description	Page
51488600000	Warning Plate Hand Injury 7.29K	383, 407, 439, 453, 489, 507
51977600000	Warning plate with danger arrow 50	53
56036120000	Set screw DIN551 M6x12-14H	317, 349
56047810000	Set screw DIN551 M8x16-PA 66	207, 231, 265, 281, 325, 341, 383, 407, 439, 453, 489, 507
56070490000	Set screw DIN926 M4x6-A2-70	619
56070510000	Set screw DIN926 M4x10-A2-70	609
56081060000	Set screw DIN916 M6x8-A2-70	157, 159
56082290000	Set screw DIN438 M5x10-A2-70	197, 221, 255, 311, 345, 373, 397, 429, 479
56083110000	Set screw ISO4026 M4x4-A2-70	155
56083140000	Set screw ISO4026 M5x12-A2-70	607, 611
56083210000	Set screw ISO4026 M8x25-A2-70	557, 579
56083580000	Set screw ISO4026 M6x16-A2-70	569, 591
56083980000	Set screw DIN916 M6x12-A2-70	141
56086260000	Ball knob DIN319 M6x25 I	199, 223, 257, 287, 315, 347, 375, 399, 431, 459, 481, 521
56086270000	Ball knob DIN319 M8x32 I	201, 225, 259, 283, 321, 351, 377, 401, 433, 455
56113920000	Wood screw DIN97-6x50-4.6	699, 703
56164130000	Cylindrical pin EN 22338-4m6x12-A2	73, 79
56187710000	Cylindrical pin EN 22338-4m6x8-A2	309, 311, 343, 345
56187780000	Cylindrical pin EN 22338-4m6x6-A2	205, 229, 263, 291, 293, 381, 405, 437, 463, 465, 487, 513, 515
56187830000	Cylindrical pin EN 22338-5m6x10-A2	205, 229, 263, 291, 293, 309, 343, 381, 405, 437, 463, 465, 487, 513, 515
56187850000	Cylindrical pin EN 22338-5m6x16-A2	309, 343
56188280000	Cylindrical pin EN 22338-8m6x28-A2	207, 231, 265, 281, 325, 341, 383, 407, 439, 453, 489, 507
56243100000	Cylindrical pin EN 22338-3h11x10-A2	201, 225, 259, 283, 321, 351, 377, 401, 433, 455
56265100000	Round-Head Nail DIN 1476-4x10-A2-70	317, 349
56285180000	Grooved Pin DIN 1469-C5x14-6.8	317, 349
56359540000	Grooved Pin DIN 1473-4x6-A2-70	621
56360600000	Grooved ball bearing DIN625 10x26x8	187, 211, 243, 269, 297, 329, 363, 387, 419, 443, 469, 497
56366420002	Self-Aligning Ball Bearing 2202	187, 211, 243, 269, 297, 329, 363, 387, 419, 443, 469, 497
56368320002	Angular bearing double-row 15x35x15,9	187, 211, 243, 269, 297, 329, 363, 387, 419, 443, 469, 497
56386060000	Ball DIN5401 6-1.4034	323, 339
56400810000	Lock nut DIN985-M2,5-St	649
56400850000	Lock nut DIN985-M5-A2	493, 511, 563, 585
56400860000	Lock nut DIN985-M6-A2	91, 97, 149, 153, 651, 667
56400880000	Lock nut DIN985-M8-A2	87, 93, 153, 531, 539
56420160000	Cap nut DIN986-M6-A2	125, 185, 193, 209, 217, 241, 251, 267, 277, 295, 305, 327, 337, 361, 369, 385, 393, 417, 425, 441, 449, 467, 475, 495, 503

Index

Material No.	Material description	Page
56435660000	Knurled nut DIN467-M6-A2	149, 153
56444500000	Hexagon nut DIN439-M5-A2	563, 585
56444600000	Hexagon nut DIN439-M6-A2	51, 63, 123, 155, 561, 567, 583, 589
56444800000	Hexagon nut DIN439-M8-A2	207, 231, 265, 281, 325, 341, 383, 407, 439, 453, 489, 507
56453130000	Thread insert M5x7,5-A2	187, 211, 243, 269, 297, 329, 363, 387, 419, 443, 469, 497
56453180000	Threaded insert M6x9	189, 213, 245, 271, 299, 331, 365, 389, 421, 445, 471, 499
56453260000	Threaded insert M10x10	43
56453380000	Threaded insert M10x15	43, 49
56455430000	Hexagon nut DIN934-M4-PA 66	51
56456300000	Hexagon nut DIN934-M3-A2	597
56456400000	Hexagon nut DIN934-M4-A2	77, 81, 531, 537
56456600000	Hexagon nut DIN934-M6-A2	65, 123, 149
56456800000	Hexagon nut DIN934-M8-A2	197, 221, 255, 285, 311, 317, 345, 349, 373, 397, 429, 457, 479, 519, 649
56456820000	Hexagon nut DIN934-M10-A2	147
56470870000	HEXAGON NUT DIN 439- BM16X1,5- 4	531
56472220000	Hexagon nut DIN439-M12x1-A2	139
56472590000	Hexagon nut DIN439-M8x1-A2	155
56472600000	Hexagon nut DIN439-M10x1-A2-70	309, 343
56709550000	Parallel key DIN6885-A 5x3x16	187, 211, 363, 387
56709980000	Shim ring DIN988-14x20x0,1	651, 667
56739030000	Washer DIN125-A-3-A2	597
56739040000	Washer DIN125-A 4.3-A2-70	41, 49, 53, 77, 81, 139, 189, 197, 213, 221, 245, 255, 271, 285, 299, 311, 323, 331, 339, 345, 365, 373, 389, 397, 421, 429, 445, 457, 471, 479, 499, 519, 621
56739050000	Washer DIN125-A-5-A2	289, 345, 461, 523, 557, 563, 571, 579, 585, 593
56739060000	Washer DIN125-A-6-A2	87, 91, 93, 97, 139, 149, 193, 217, 251, 277, 305, 317, 337, 349, 369, 393, 425, 449, 467, 475, 495, 503, 531, 537, 557, 579, 607, 611, 619, 687, 689
56739080000	Washer DIN125-A-8-A2	39, 87, 93, 149, 295, 309, 327, 343, 529, 535
56739100000	Washer DIN125-A-10-A2	147, 697
56739130000	Washer DIN125-A-12-A2	139
56755620000	Washer DIN433-10-PA66	629
56755650000	Washer DIN433-6-A2	689
56765040000	Washer DIN9021-4-A2	597, 619
56765050000	Washer DIN9021-5-A2	17, 21, 25, 197, 221, 255, 373, 397, 429, 479, 569, 591, 687
56765060000	Washer DIN9021-6-A2	171, 175, 193, 217, 251, 277, 305, 337, 369, 393, 425, 449, 475, 503, 557, 567, 579, 589

Index

Material No.	Material description	Page
56765060000	Washer DIN9021-6-A2	651, 667
56765070000	Washer DIN 9021-8-A2	531, 539
56777410000	Screw seal M4	77, 81, 533, 543
56805541000	Oval-head screw ISO14583 M5x8-A2-70-T25	49
56806411000	Oval-head screw ISO14583 M4x6-A2-70-T20	53, 161, 189, 213, 245, 271, 299, 331, 365, 389, 421, 445, 471, 499
56806450000	Oval-head screw ISO14583 M4x8-A2-70-T20	17, 21, 25, 41, 43, 53, 637, 639, 649
56806460000	Oval-head screw DIN7985 M4x16-A2-70	157
56806461000	Oval-head screw ISO14583 M4x16-A2-70-T20	17, 21, 25
56806540000	Oval-head screw DIN7985 M5x12-A2-70	73, 79
56972480000	Mushroom head screw M4x8-A2-70 Tuflok	43, 187, 211, 243, 269, 297, 329, 363, 387, 419, 443, 469, 497, 553, 575, 619, 621, 629
56972500000	Mushroom head screw M4x12-A2-70	41, 53, 123
56972530000	Mushroom head screw M4x16-A2-70	567, 589
56972540000	Mushroom head screw M4x10-A2-70	123, 623
56972610000	Mushroom head screw M5x6-A2-70	563, 585, 695, 701
56972770000	Mushroom head screw M6x10-A2-70	63, 73, 79, 361, 385, 417, 441
56972780000	Mushroom head screw M6x8-A2-70	567, 589
56984520000	Pan head screw DIN923 M5x4A2-70	207, 231, 265, 281, 325, 341, 383, 407, 439, 453, 489, 507
57429080000	Hexagon screw DIN933 M4x8 A2-70	43, 531, 533, 537, 543, 621
57429100000	Hexagon screw DIN933 M4x10 A2-70	207, 231, 265, 281, 325, 341, 383, 407, 439, 453, 489, 507
57429120000	Hexagon screw DIN933 M4x12 A-70	139, 531, 537
57429160000	Hexagon screw DIN933 M4x16 A2-70	77, 81, 621
57429200000	Hexagon screw DIN933 M4x20 A2-70	311, 345
57429350000	Hexagon screw DIN933 M4x35 A2-70	139
57430100000	Hexagon screw DIN933 M5x10 A2-70	75, 531, 539
57430120000	Hexagon screw DIN933 M5x12 A2-70	141, 197, 221, 255, 285, 373, 397, 429, 457, 479, 519
57430160000	Hexagon screw DIN933 M5x16 A2-70	311
57430200000	Hexagon screw DIN933 M5x20 A2-70	189, 213, 245, 271, 299, 331, 365, 389, 421, 445, 471, 499, 563, 585
57431120000	Hexagon screw DIN933 M6x12 A2-70	189, 193, 213, 217, 245, 251, 271, 277, 299, 305, 331, 337, 365, 369, 389, 393, 421, 425, 445, 449, 471, 475, 499, 503
57431160000	Hexagon screw DIN933 M6x16 A2-70	531, 537
57431200000	Hexagon screw DIN933 M6x20 A2-70	619
57431250000	Hexagon screw DIN933 M6x25 A2-70	529, 535, 619
57431300000	Hexagon screw DIN933 M6x30 A2-70	467, 495
57432250000	Hexagon screw DIN933 M8x25 A2-70	529, 535
57432300000	Hexagon screw DIN933 M8x30 A2-70	185, 209, 241, 267, 295, 327, 361, 385, 417, 441, 467, 495, 695, 701
57433250000	Hexagon screw DIN933 M10x25 A2-70	697

Index

Material No.	Material description	Page
57442080000	Countersunk screw DIN7991 M4x12-A2-70	155
57442120000	Countersunk screw DIN7991 M6x12-A2-70	171, 175
57442160000	Countersunk screw ISO 10642 M6x16-A2-70	73, 79
57442170000	Countersunk screw DIN7991 M6x20-A2-70	171, 175
57442200000	Countersunk screw DIN7991 M8x20-A2-70	529, 535
57450350000	Self-tap screw ISO7049-C3,5x16 A2-50-T15	687
57451370000	Oval-head screw ISO14583 M4x12-A2-70-T20	41, 53
57451390000	Countersunk screw DIN965 M4x10-A2-70-T20	559, 581
57629520000	Countersunk screw DIN963 M5x10-A2-70	185, 187, 209, 211, 241, 243, 267, 269, 295, 297, 327, 329, 361, 363, 385, 387, 417, 419, 441, 443, 467, 469, 495, 497
57630420000	Countersunk screw DIN963 M4x8-A2-70	187, 197, 211, 221, 243, 255, 269, 285, 297, 329, 363, 373, 387, 397, 419, 429, 443, 457, 469, 479, 497, 519
57630430000	Countersunk screw DIN963 M4x10-A2-70	123, 323, 339
57630440000	Countersunk screw DIN963 M4x12-A2-70	317, 349
57630530000	Countersunk screw DIN963 M5x12-A2-70	131, 133, 187, 211, 243, 269, 297, 329, 363, 387, 419, 443, 469, 497
57630620000	Countersunk screw DIN963 M6x12-A2-70	87, 93, 121, 185, 187, 193, 209, 211, 217, 241, 243, 251, 267, 269, 277, 295, 297, 305, 327, 329, 337, 361, 363, 369, 385, 387, 393, 417, 425, 441, 449, 467, 475, 495, 503
57697070000	Cylinder screw DIN84 M3x8-A2-70	43
57697470000	Cylinder screw DIN84 M4x8-A2-70	317, 349
57697480000	Cylinder screw DIN84 M4x10-A2-70	197, 221, 255, 285, 311, 345, 373, 397, 429, 457, 479, 519
57730070000	Oval-head screw ISO14583 M4x10-A2-70-T20	49
57730110000	Oval-head screw ISO14583 M5x16-A2-70-T25	571, 593, 687
57730120000	Oval-head screw ISO14583 M5x20-A2-70-T25	569, 591
57730170000	Oval-head screw ISO14583 M5x10-A2-70-T25	17, 21, 25, 677
57730180000	Oval-head screw ISO14583 M3x16-A2-70-T10	161, 197, 221, 255, 285, 311, 345, 373, 397, 429, 457, 479, 519
57732650000	Cylinder screw DIN84 M4x16	51
57734060000	Cylinder screw DIN912 M4x6-8.8	643
57735200000	Cylinder screw DIN912 M5x20-8.8	649, 663
57736120000	Cylinder screw DIN912 M6x12-8.8	649
57736300000	SOCKET HEAD SCREW DIN 912- M6X30- 8.8	87
57743020000	Cylinder screw DIN912 M4x8-A2-70	53, 557, 579
57743280000	Cylinder screw DIN912 M5x20-A2-70	139, 141
57743430000	Cylinder screw DIN 912-M6x20-A2-70	39
57743440000	Cylinder screw DIN912 M6x25-A2-70	171, 175
57743450000	Cylinder screw DIN912 M6x16-A2-70	53, 171, 175, 185, 209, 241, 267, 295, 327, 361, 385, 417, 441, 467, 495, 529, 535
57743460000	Cylinder screw DIN912 M6x30-A2-70	93
57743461000	Cylinder screw DIN912 M6x35-A2-70	139, 147, 153

Index

Material No.	Material description	Page
57743470000	Cylinder screw DIN912 M6x40-A2-70	171, 175
57743490000	Cylinder screw DIN912 M6x50-A2-70	91, 97
57743540000	Cylinder screw DIN912 M6x80-A2-70	91, 97
57743670000	Cylinder screw DIN912 M8x20-A2-70	149
57743680000	Cylinder screw DIN912 M8x25-A2-70	87, 93
57743700000	Cylinder screw DIN912 M8x30-A2-70	149
57744870000	Protective plug 10x5,2x3,1-PE	39, 73, 79, 185, 209, 241, 267, 295, 327, 361, 385, 417, 441, 467, 495, 529, 531, 535, 539
57747347000	Cylinder screw DIN7984 M6x12-A2-70	561, 583
57747389000	Cylinder screw DIN7984 M8x20-A2-70	73, 79
57750600000	Retaining washer DIN6799-6	309, 343
57750700000	Retaining washer DIN6799-7	207, 231, 265, 281, 325, 341, 383, 407, 439, 453, 489, 507
57753400000	Retaining washer DIN6799-4	689
57753600000	Retaining washer DIN6799-6	659
57753610000	Retaining washer DIN6799-7	531, 539
57753900000	Retaining washer DIN6799-9	197, 221, 255, 285, 373, 397, 429, 457, 479, 519
57758610000	Toothed washer DIN6797-A 4,3-Fst	41, 49, 53, 77, 81, 189, 213, 245, 271, 299, 331, 365, 389, 421, 445, 471, 499, 637
57767030000	Spring lock washer DIN128-A3-FSt	161
57767040000	Spring lock washer DIN128-A4-FSt	41, 49, 53, 77, 81, 139, 161, 197, 221, 255, 285, 311, 345, 373, 397, 429, 457, 479, 519, 531, 537, 637, 649
57767050000	Spring lock washer DIN128-A5-FSt	139, 141, 197, 221, 255, 285, 289, 311, 345, 373, 397, 429, 457, 461, 479, 519, 523, 531, 539, 649, 663, 687
57767060000	Spring lock washer DIN128-A6-FSt	39, 87, 93, 125, 139, 147, 149, 171, 175, 529, 531, 535, 537, 607, 611, 649, 651, 667
57767080000	Spring lock washer DIN128-A8-A2	87, 93, 149, 185, 209, 241, 267, 295, 327, 361, 385, 417, 441, 467, 495, 529, 535, 695, 701
57767100000	Spring lock washer DIN128-A10-FSt	147, 659
57773140000	Retaining ring DIN471-14x1	651, 667
57773710000	Retaining ring DIN471-6x0,7	147
57773730000	Retaining ring DIN471-8x0,8	559, 565, 581, 587
57773750000	Retaining ring DIN471-10x1	187, 211, 243, 269, 297, 329, 363, 387, 419, 443, 469, 497
57778700000	Retaining ring DIN472-35x1,5	187, 211, 243, 269, 297, 329, 363, 387, 419, 443, 469, 497
57806110000	Clamping pin ISO8750-4x24-A2	153
60112000029	Washer	483, 517
60220005600	HEXAGON SCREW OVAL- HEAD M 6X25	567
60220005700	hexagon screw oval-head M 6x16	323, 339, 567, 589
60220007500	Paper Felt	749

Index

Material No.	Material description	Page
60220110103	Threaded Bolt M12x1 x 14	157
60220402101	cover	493, 511
60220600500	Shaft 12x58	689
60220600700	Shaft 12x54,5	689
60220600900	Cover 71x5.5	689
60220602600	Spacer sleeve 10x6,1x5,5	689
60223400500	Cap M6x10	687
60223401001	Sharpening disc	689
60223401101	Honing Disc	689
60223505802	Bearing Bolt	143
60223506302	cover 11x0,5	141
60240304800	Bushing 6,2 x 12f7 x 15	651, 667
60240501803	Driver 35x14x3	621
60240503100	Hexagon screw DIN 933 M4x10-A2-70	619
60242200501	gear wheel for drive roller	625
60260207302	Control Gear	309, 343
60260310001	strap	41
60270103500	pin	141
60270111302	Washer	139
60270202801	Washer	689
60274601001	Bolt PA - 4,1x4,5	141
60350402001	Protective plug	197, 221, 255, 285, 373, 397, 429, 457, 479, 519
60370103901	Spacer ring 19mm	87, 93
60370104100	BELT PULLEY	87
60370104101	Belt pulley PolyV 98,4	93
60370104212	Sealing ring blade 108x84x40	89, 95
60370104302	Hexagon nut M25x1,5 SW30	87, 93
60370104911	Sealing	139
60370106203	Supporting plate	157
60370107502	spacer	147
60370115300	Spacer ring	149
60370146800	cap rail	17, 21, 25
60370161500	Clamp handle small M 5	493, 511
60380108600	Washer	289, 345, 461, 523
60380205800	SLIDE PIN	197, 221, 255, 285, 311, 345, 373, 397, 429, 457, 479, 519
60380402200	Slide pin 3,15x6 K	561, 583
60510200037	Pinion	201, 225, 259, 283, 321, 351, 377, 401, 433, 455
60510200056	Pan head screw M6x7,1x7	317, 349
60510200081	collar stud	201, 225, 259, 283, 321, 351, 377, 401, 433, 455
60510200112	lock nut	317, 349
60510200113	washer 20 (1mm)	317, 349
60510200132	Washer	317, 349
60510200133	Washer 1 mm	317, 349
60510200134	washer 0,5mm	317, 349
60510600037	switch rod short	597

Index

Material No.	Material description	Page
60520200143	torsion spring	205, 229, 263, 291, 293, 381, 405, 437, 463, 465, 487, 513, 515
60530101500	Blade 330 Cr Slayer	109
60530106000	Blade 330 Cr 2xM6 G&B	119
60530200062	mounting link	317, 349
60530200067	collar nut	317, 349
60530200094	cover plate	317, 349
60530200500	supporting angle	323, 339
60530202300	PIN	309, 343
60530202400	slider	483, 517
60530204400	Product holder ass.	307, 327
60530206800	locking handle assembled	309, 343
60530207000	side frame	321, 351
60530207100	Hexagon Screw M4x6 A2-70 Hygiene	321, 351
60530207200	product holder housing preass.	321, 351
60530208200	cap nut	309, 343
60530300053	lubricating felt	531, 539
60540240301	Feed Spindle ass.	187, 211
60540245701	guide shaft	187, 211, 243, 269, 297, 329
60540245900	Handhold 91x28 M16x1 - PA6 black	317, 349
60540246101	lever ass.	317, 349
60540246401	locking device, welded	317, 349
60540246601	Torsion spring left	309, 311, 343, 345
60540246701	Torsion spring right	309, 343
60540246801	Shaft	309, 343
60540246900	pan head screw	317, 349
60540247000	washer	309, 343
60540247101	spacer bushing	309, 343
60540247300	Star knob M8x18,5	317, 349
60540247400	counter bearing	309, 343
60540247500	counter bearing	309, 343
60540247600	washer	309, 343
60540248400	product supporting plate ass.	307, 327
60540248500	product supporting plate welded	319, 353
60540248700	glide piece	319, 353
60540250402	Nut Plate	197, 221, 255, 313, 373, 397, 429, 479
60540250500	WASHER	311
60540250700	actuator	311, 345
60540251700	spring	323, 339
60540251900	Lever welded complete	323, 339
60540252200	hub preass.	323, 339
60540252801	take up device preassembled	323, 339
60540253400	tightening disk	323, 339
60540260301	Feed Spindle ass.	363, 387
60540260500	ring	191, 215, 367, 391
60540260701	Gear Wheel	187, 211, 363, 387
60540260801	Washer	187, 211, 243, 269, 297, 329

Index

Material No.	Material description	Page
60540260801	Washer	363, 387, 419, 443, 469, 497
60540261000	bolt	187, 211, 243, 269, 297, 329, 363, 387, 419, 443, 469, 497
60540265600	locking lever mount.	197, 221, 255, 285, 373, 397, 429, 457, 479, 519
60540266101	Bushing complete	197, 221, 255, 373, 397, 429, 479
60540266102	Bushing complete	285, 313, 343, 457, 519
60540266600	hex nut	197, 221, 255, 285, 309, 343, 373, 397, 429, 457, 479, 519
60540268301	guide shaft	363, 387, 419, 443, 469, 497
60540269502	Product holder ass.	195, 219, 371, 395
60540269601	product holder	201, 225, 259, 283, 377, 401, 433, 455
60540269700	Side frame left	201, 225, 259, 283, 377, 401, 433, 455
60540269800	Side frame right	201, 225, 259, 283, 377, 401, 433, 455
60540269901	Gripper Shaft cpl	201, 225, 259, 283, 377, 401, 433, 455
60540270200	cap nut	201, 225, 377, 401
60540270201	Cap nut M6	259, 283, 433, 455, 483, 517
60540275100	Holder preass.	201, 225, 377, 401
60540276101	HOULDING DOWN DEVICE ASS.	203, 227, 261, 379, 403, 435, 485
60540276102	Holding Down Device ass.	267, 441, 495
60540276201	Holding Down Device preass.	205, 229, 263, 291, 293, 381, 405, 437, 463, 465, 487, 513, 515
60540276701	hub	205, 229, 263, 291, 293, 381, 405, 437, 463, 465, 487, 513, 515
60540277600	self-tapping screw	201, 225, 259, 283, 377, 401, 433, 455
60540277801	LOCKING SCREW	205, 229, 263, 381, 405, 437, 487
60540277802	Handle with screw M6 x 13,55	291, 463, 513
60540305101	bearing block	529, 535
60540318701	stop pin	285, 457, 519
60540400900	Depositing plate	551
60540402801	silicone tube	599, 601
60540403200	Lever	597
60540501300	stop	621
60540502000	PLASTIC ROLLER WHEEL CPL.	619
60540502100	PLASTIC ROLLER WHEEL, PREASSEMBLED	625
60540503901	guide cam	619
60540504000	sleeve	619
60540504600	cover plate	619
60540507000	bracket cpl.	619
60540801001	depositing arm standard welded	659, 661, 665
60540802000	locknut	659, 661, 665

Index

Material No.	Material description	Page
60540900501	holding bracket	649
60540900604	Angle	649
60541080001	Metal Sheet Insert cpl.	491, 509
60542403701	mounting	699, 703
60542403800	ACCESSORY KIT FOR BENCH FIXATION	695, 701
60610000017	washer	619
60800108400	bracket handle	131
60800114700	set screw	139
60800114900	Adjusting ring	139
60800116900	Bizerba character font	49
60800198400	Bracket handle C 100 x 32 x 10	133
60804801200	Reference plate "Sharpen and lube daily"	735
60810107611	Sealing	139
60820304102	SPINDLE (STANDARD)	609
60820304200	DRIVE SHAFT	609
60830912002	Codestrip 4x26	649
60850104310	SEALING	609
60895400152	PCBA Intermediate Board 1	533, 543
60895600150	PCBA Intermediate Board 2	51
60897000159	Apalis carrierboard + iMX6 1GB Quad	639
60897200155	PCBAP MC 3ph 6ch lv bus	41
60897300156	PCBAP MC 3ph 2ch hv bus	53
60897500156	Bootl.+ PCBA MC 3ph 2ch lv bus	189, 213, 365, 389
60897500157	PCBAP MC 3ph 2ch lv bus	247, 273, 301, 333, 421, 445, 471, 499
60897700103	Weighing module Food	681, 683
65016000132	Washer DIN125-A-8-PA6	123
65016000133	Washer 5-PA	189, 213, 245, 271, 299, 331, 365, 389, 421, 445, 471, 499, 531, 539
65019999933	Set screw ISO4026 M5x20-A2-70	563, 585
67501163700	REFERENCE PLATE "WARNING INSTRUCTIONS"	737
71004310000	Cabel Tie T18R	17, 21, 25, 739
71004320000	Cable Tie T40R	53, 643
71004520000	Flat Cabel Holder 3484-1000	187, 211, 243, 269, 297, 329, 363, 387, 419, 443, 469, 497
71010820000	Cable Gland M16 UL 53111010	567, 589
71037830000	Linear Increment Encoder HEDS 9200-300	649
71066170000	Blind plug BLK- M16	43
71066180000	Blind plug BLK- M20	281, 341, 453, 507
71066410000	Plug Round M20x1.5	207, 231, 265, 325, 383, 407, 439, 489
71067290000	Spacer 6.4 LPR 8520-M4	533, 543
71080560000	Flat Plug 6.3 DIN4634	77, 81
71087550000	Terminal Block 3pol 2,5qmm 280-641	17, 21, 25
71087650000	Intermediate Plate 280-313	17, 21, 25
71169040000	Nylon-Clips NK-4N	639
71169050000	Cable Clamp nylon 7,4mm NK-5N	207, 231, 265, 281, 325, 341, 383, 407, 439, 453, 489, 507, 637

Index

Material No.	Material description	Page
71169100000	Cable Clamp nylon 14mm NK-10N	41
71400960000	Short Circuit Bracket 3131 731000406	189, 213, 245, 271, 299, 331, 365, 389, 421, 445, 471, 499
71451600000	Fuse T6.3	17
71451870000	FUSE 8,0T UL 215008.P	21, 25
71506350000	Battery Lithium Cell CR2032 UL	641
94009990000	Machine sticker Hotline 1020 (70x30)	741
95900601030	Machinery oil H1 30ml	749
95916850000	Dowel 6x10x35	699, 703
95944020001	Silicone Rubber Elastosil E41 90ml	193, 217, 251, 277, 305, 337, 369, 393, 425, 449, 475, 503
95944300000	Kitchen silicone ELASTO4710	197, 221, 255, 285, 373, 397, 429, 457, 479, 519
95972840002	Loctite 648 10ml.	123, 483, 517
95972870002	Loctite 638	73, 79, 245, 271, 299, 331, 421, 445, 471, 499
95972950002	Loctite 243 50 ml	17, 21, 25, 39, 43, 49, 53, 73, 75, 79, 87, 93, 131, 133, 139, 141, 143, 147, 155, 171, 175, 185, 187, 189, 193, 197, 199, 201, 207, 209, 211, 213, 217, 221, 223, 225, 231, 241, 243, 245, 251, 255, 257, 259, 265, 267, 269, 271, 277, 281, 283, 285, 287, 289, 295, 297, 299, 305, 309, 311, 315, 317, 321, 323, 325, 327, 329, 331, 337, 339, 341, 343, 345, 347, 349, 351, 361, 363, 365, 369, 373, 375, 377, 383, 385, 387, 389, 393, 397, 399, 401, 407, 417, 419, 421, 425, 429, 431, 433, 439, 441, 443, 445, 449, 453, 455, 457, 459, 461, 467, 469, 471, 475, 479, 481, 489, 495, 497, 499, 503, 507, 519, 521, 523, 529, 531, 535, 539, 557, 559, 561, 563, 567, 571, 579, 581, 583, 585, 589, 593, 607, 609, 611, 619, 621, 623, 649, 677, 695, 697, 701
95972960002	Loctite 7649 500ml	73, 79, 143, 149, 153
96055050000	Lubricating Oil F.L.5 Oil UH1	309, 343, 529, 531, 535, 539
96055070000	Grease PARALIQ GA 343	149, 153, 161, 187, 189, 197, 205, 207, 211, 213, 221, 229, 231, 243, 245, 255, 263, 265, 269, 271, 281, 285, 291, 293, 297, 299, 309, 317, 323, 325, 329, 331, 339, 341, 343, 349, 363, 365, 373, 381, 383, 387, 389, 397, 405, 407, 419, 421, 429, 437, 439, 443, 445, 453, 457, 463, 465, 469, 471, 479, 487, 489, 497, 499, 507, 513, 515, 519, 531, 539, 565, 587, 609, 619, 621, 651, 667, 689

Index

Material No.	Material description	Page
96055080000	Kluebersynth UH1 64-62/25kg	89, 95, 147, 531, 539, 557, 563, 579, 585, 649
96055090000	Assembly-paste Rivolta F.L.A. 100 ml	423, 447, 473, 501, 629, 695, 701