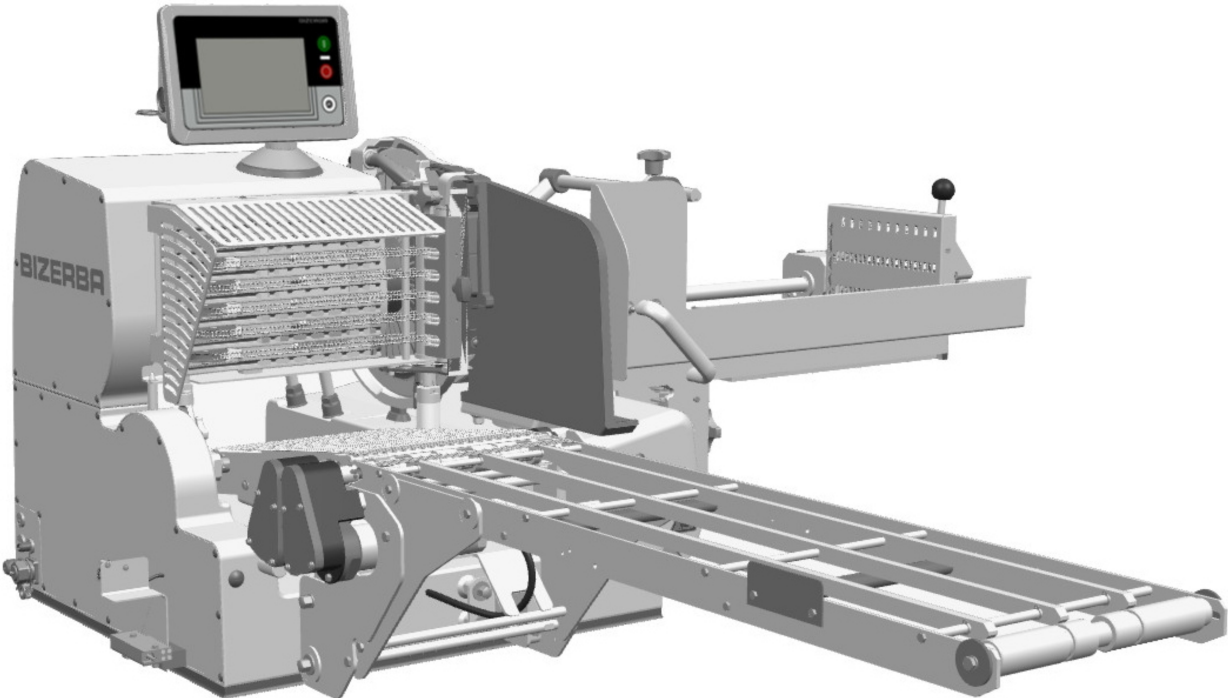


Spare parts list

VSI TW



Bizerba SE & Co. KG

Business Services

STS-T, Didactics & Documentation

Wilhelm-Kraut-Straße 65

72336 Balingen

T +49 7433 12-0

F +49 7433 12-2696

service@bizerba.com

www.bizerba.com

Contents

10	Voltage type
22	Power Supply 220-240V cpl
24	Prog.+PCBA VSI Power Supply 230V + therm
26	Power Supply 220-240V cpl
28	Prog.+PCBA VSI Power Supply 230V + therm
30	Power Supply 100-120V cpl
32	Prog.+PCBA VSI Power Supply 120V + therm
34	Power Supply 100-120V cpl
36	Prog.+PCBA VSI Power Supply 120V + therm
38	Power Supply 100V cpl
40	Prog.+PCBA VSI Power Supply 120V + therm
42	Power Supply 100V cpl
44	Prog.+PCBA VSI Power Supply 120V + therm
46	Machine housing
64	Housing Te W Dt
66	Drive Housing Te W Dt cpl
70	Cover prem
72	Cover Drivehousing prem
74	Machine Housing cpl.
76	Connector ribbon cable
78	Motor Tower Dt cpl
80	Cover Motor Tower prem
82	Cover Motor Tower
84	Cable set standard
86	Housing Te W Db
88	Drive Housing Te W Db cpl
94	Cover prem
96	Cover Drivehousing prem
98	Machine Housing cpl.
100	Connector ribbon cable
102	Motor Tower Db cpl
104	Cover Motor Tower prem
106	Cover Motor Tower
108	Cable set standard
110	Fixing axis scale cpl
112	Carry Handles Set VSI
114	Screw Plug Motor cpl
116	Screw Plug Light Barrier cpl
118	Screw Plug Machine Housing cpl
120	Screw Plug Drive Housing cpl
122	Covering Cap Set Carry Handles
124	Installations
128	Setup VSI cpl.
130	Setup preass.
132	Setup VSI w. Service Cover cpl.
134	Setup w. Service Cover preass.

Contents

136	Service Cover prem.
138	Blade drive
142	Blade Drive VSI cpl
144	Blade bearing cpl
146	Motor cpl
148	Blade Drive one-piece VSI cpl.
150	Blade Bearing one-piece cpl.
152	Motor cpl
154	Blades
168	Blades + blade changing device
178	Blade removal device 330 V2A
180	Blade Removal Device preassembled
182	Cover preassembled
184	Blade cover
188	Blade cover cpl.
190	Blade cover cpl. C
192	Blade guard ring+deflector
196	Blade Guard Ring cpl
198	Blade Guard Ring preass
200	Deflector preass
202	Gauge plate drive
204	Gauge plate drive VSI cpl
210	Bearing bracket cpl
216	adjusting ring 18mm
218	Beam preass
220	Gauge plate
224	Carriage drive
230	Carriage drive cpl
232	Guide roller cpl
234	Carriage drive cpl
236	Guide roller cpl
238	Carriage Drive cpl.
240	Guide roller cpl
242	Carriages 400
244	Carriage stroke 240mm up to 11540649
248	Carriage 400
250	Carriage 400 cpl
254	Feed Spindle ass.
256	Carriage Plate 400 preass
258	Product Holder non folding NSF cpl
260	Product Holder Guide NSF cpl
262	Bolt NSF cpl
264	Product holder ass.
266	Product Supporter top cpl
268	HOULDING DOWN DEVICE ASS.
270	Carriage Foot high cpl

Contents

272	Carriage 400 NSF
274	Carriage 400 cpl
278	Feed Spindle ass.
280	Carriage Plate 400 preass
282	Product Holder non folding NSF cpl
284	Product Holder Guide NSF cpl
286	Bolt NSF cpl
288	Product holder ass.
290	Product Supporter top NSF cpl
292	HOULDING DOWN DEVICE ASS.
294	Carriage Foot high cpl
296	Carriage stroke 270mm as from 11540650
304	Carriage 400 NSF
306	Carriage 400 cpl
312	feed spindle ass.
314	Carriage Plate 400 preass
316	Product Holder non folding NSF cpl
318	Product Holder Guide NSF cpl
320	Bolt NSF cpl
322	Product Holder cpl. VSI
324	Product Supporter top NSF cpl
326	HOULDING DOWN DEVICE ASS.
328	Carriage Foot high cpl
330	Carriage 400 NSF
332	Carriage 400 cpl
338	feed spindle ass.
340	Carriage Plate 400 preass
342	Product Supporter top NSF cpl
344	Carriage Foot high cpl.
346	Product Holder cpl. VSI
348	Product Holder Guide NSF cpl
350	Bolt NSF cpl
352	Holder preassembled
354	Holding Down Device ass.
356	Carriage 400 with Peaks
358	Carriage 400 cpl
364	feed spindle ass.
366	Carriage Plate 400 preass
368	Product Holder folding upwards cpl
370	Product Holder folding upwards preass
376	Bolt cpl
378	Lever compl for the Product Holder
380	product supporting plate ass.
382	Product holder ass.
384	Product Supporter horizontal cpl
386	Carriage Foot low cpl

Contents

388	Carriage 400 with Peaks
390	Carriage 400 cpl
396	feed spindle ass.
398	Carriage Plate 400 preass
400	Product Supporter horizontal cpl
402	Carriage Foot low cpl.
404	Product Holder folding upwards preass.
408	Bolt cpl
410	Lever compl for the Product Holder
412	Product holder ass.
414	product supporting plate ass.
416	Carriages 600
418	Carriage stroke 240mm up to 11540649
422	Carriage 600 NSF
424	Carriage 600 cpl.
428	Feed Spindle ass.
430	Carriage Plate Template preass
432	Product Holder non folding NSF cpl
434	Product Holder Guide NSF cpl
436	Bolt NSF cpl
438	Product holder ass.
440	Product Supporter top NSF cpl
442	HOULDING DOWN DEVICE ASS.
444	Carriage Foot high cpl
446	Carriage 600
448	Carriage 600 cpl.
452	Feed Spindle ass.
454	Carriage Plate Template preass
456	Product Holder non folding NSF cpl
458	Product Holder Guide NSF cpl
460	Bolt NSF cpl
462	Product holder ass.
464	Product Supporter top cpl
466	HOULDING DOWN DEVICE ASS.
468	Carriage Foot high cpl
470	Carriage stroke 270mm as from 11540650
478	Carriage 600 NSF
480	Carriage 600 cpl.
484	Carriage Plate Template preass
486	Product Holder non folding NSF cpl
488	Product Holder Guide NSF cpl
490	Bolt NSF cpl
492	Product Holder cpl. VSI
494	Product Supporter top NSF cpl
496	HOULDING DOWN DEVICE ASS.
498	Carriage Foot high cpl

Contents

500	Carriage 600 NSF
502	Carriage 600 cpl.
506	Carriage Plate Template preass
508	Product Supporter top NSF cpl
510	Carriage Foot high cpl.
512	Product Holder cpl. VSI
514	Product Holder Guide NSF cpl
516	Bolt NSF cpl
518	Holder preassembled
520	Holding Down Device ass.
522	Carriage 600 template
524	Carriage 600 cpl.
528	Carriage Plate Template preass
530	Product Holder Template cpl
532	Product Holder Guide NSF cpl
534	Bolt NSF cpl
536	Product Holder cpl. Carriage guide ruler
538	Product Supporter top NSF cpl
540	HOULDING DOWN DEVICE ASS.
542	Carriage Foot high cpl
544	metal sheet insert cpl mach
546	Metal Sheet Insert cpl.
548	Carriage 600 template
550	Carriage 600 cpl.
554	Carriage Plate Template preass
556	Product Supporter top NSF cpl
558	Carriage Foot high cpl.
560	metal sheet insert cpl mach
562	Metal Sheet Insert cpl.
564	Holding Down Device ass.
566	Product Holder cpl. Carriage guide ruler
568	Product Holder Guide NSF cpl
570	Bolt NSF cpl
572	Holder preassembled
574	Carriage guide
578	Carriage guide cpl.
580	Carriage Guide preass
582	Cover preass.
584	Carriage Guide cpl.
586	Carriage Guide preass.
592	Cover preass.
594	Conveyor belt drive
606	Mounting Conveyor Scale cpl
608	Conveyor Scale prem
610	Mounting Conveyor Scale cpl
612	Conveyor Scale prem

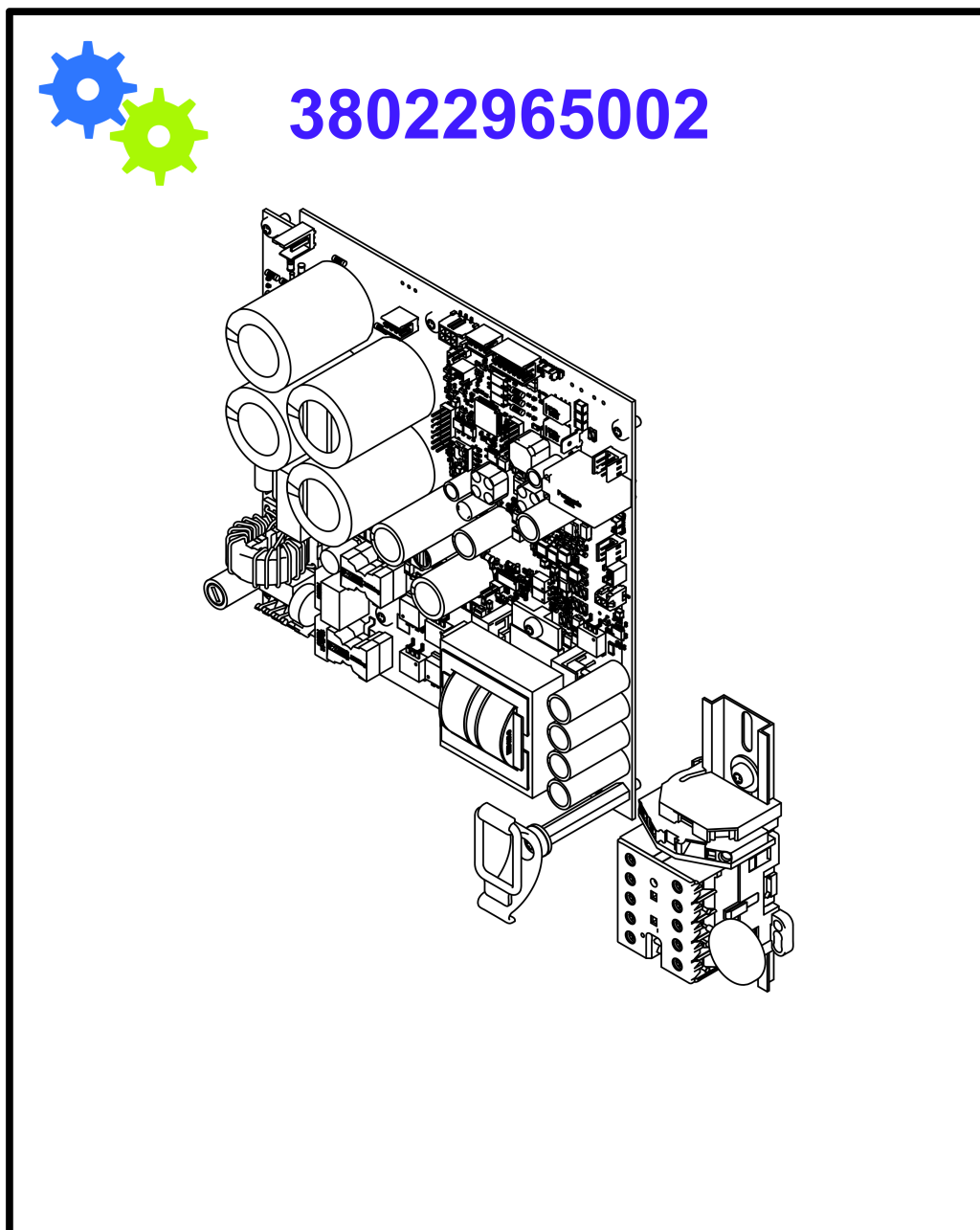
Contents

614	Mounting Conveyor cpl
618	Lock cpl
620	Mounting Conveyor cpl
624	Lock cpl
626	Conveyor belts
638	Conveyor Belt 325mm cpl.
640	Conveyor Belt 325 mm cpl.
642	Conveyor belt 475 mm cpl
644	Conveyor Belt 475 mm prem.
646	Conveyor Mounting cpl
648	Conveyor Belt 910mm cpl
650	Conveyor cpl
654	Conveyor Mounting cpl
656	Conveyor Belt 910 mm cpl
658	Conveyor cpl
662	Conveyor Mounting cpl
664	Conveyor Belt 910 mm cpl
666	Conveyor Belt 910 mm prem.
670	Conveyor Mounting cpl
672	Light barrier/light button
676	Light Barrier with Holder cpl
678	Light Barrier RK72/2 cpl. - AL Abgeküнди
680	Light Sensor with Holder cpl
682	Light Sensor HRTR 55/22-XL 1,8m cpl.
684	Chain frame drive
688	Drive Chainframe cpl
690	Chain Drive Shaft cpl
692	Drive Chainframe cpl
694	Chain Drive Shaft cpl
696	Chain frame+shaving deflector
700	Chainframe stainless cpl. VSI
704	Slider Mounting cpl
706	PLASTIC ROLLER WHEEL CPL.
708	Slider cpl
710	Shaving Deflector
712	Terminal
720	Terminal Front cpl
722	Terminal Front and CPU
724	apalis carrierboard + iMX6 1GB Quad
726	Terminal Front cpl.
730	Terminal Front and CPU
732	Apalis carrierboard + iMX6 1GB Quad
734	Terminal Mounting Kit bottom cpl
736	Terminal Mounting Kit top cpl.
738	Terminal Mounting Kit top preassy.
740	Drive depositing arm

Contents

744	Depositing Drive cpl
746	Depositing Arm Lever cpl
748	Depositing Drive cpl
750	Depositing Magnet preassy.
752	Depositing Arm Lever cpl.
754	Depositing arm
760	Depositing Arm cpl
762	Depositing arm cpl
764	Service kit VSI- connect. depositing arm
766	Depositing arm cpl
768	Depositing Arm Lever cpl.
770	Electronics
780	Mounting Plate cpl
782	Option I/O-Module
784	Option Scale Terminal bottom cpl
786	Option Scale Terminal top cpl
788	Option Scale Terminal top cpl
790	Grinding device
792	Grinder VSI 330 cpl.
794	UVV Sharpener preass. GSP
796	Bench
800	Stand stationary cpl
802	ACCESSORY KIT FOR BENCH FIXATION
804	Stand mobile cpl
806	ACCESSORY KIT FOR BENCH FIXATION
808	Lever cpl.
810	Network connections
826	Power Connection Cable UK cpl.
828	Power Connection Cable AU cpl.
830	Power Connection Cable BR cpl.
832	Power Connection Cable CH cpl.
834	Power Connection Cable AR cpl.
836	Power Connection Cable DK cpl
838	Identification plates
846	Plates and labels
872	Accessories
878	Accessories Kit for automatic Slicer
880	VSI calibration touch controller
882	Packages

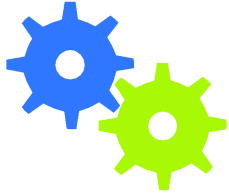
Voltage type



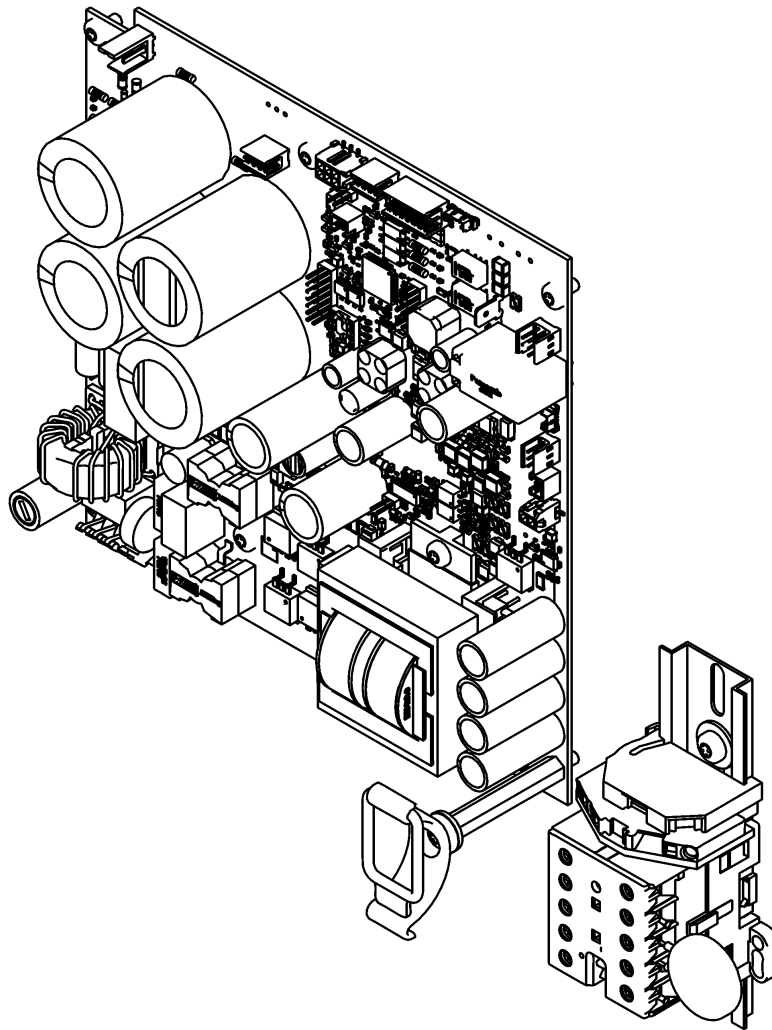
Voltage type

Material No.	Qty	Material description	available for order	Wear part	Recomm. sp. part	Metr. relevance
38022965002	1	Power Supply 220-240V cpl				

Voltage type



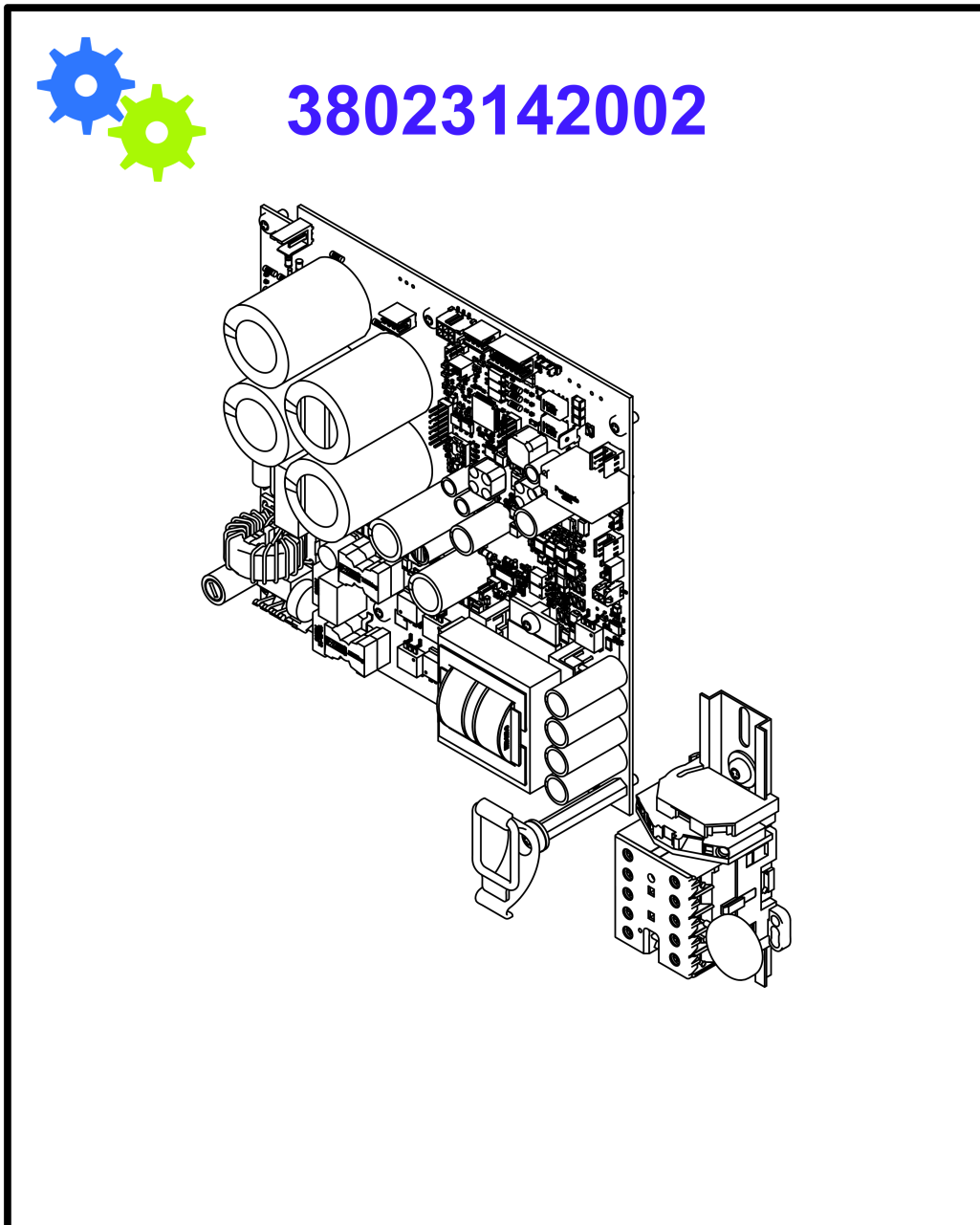
38022965003



Voltage type

Material No.	Qty	Material description	available for order	Wear part	Recomm. sp. part	Metr. relevance
38022965003	1	Power Supply 220-240V cpl				

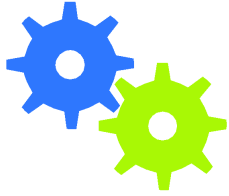
Voltage type



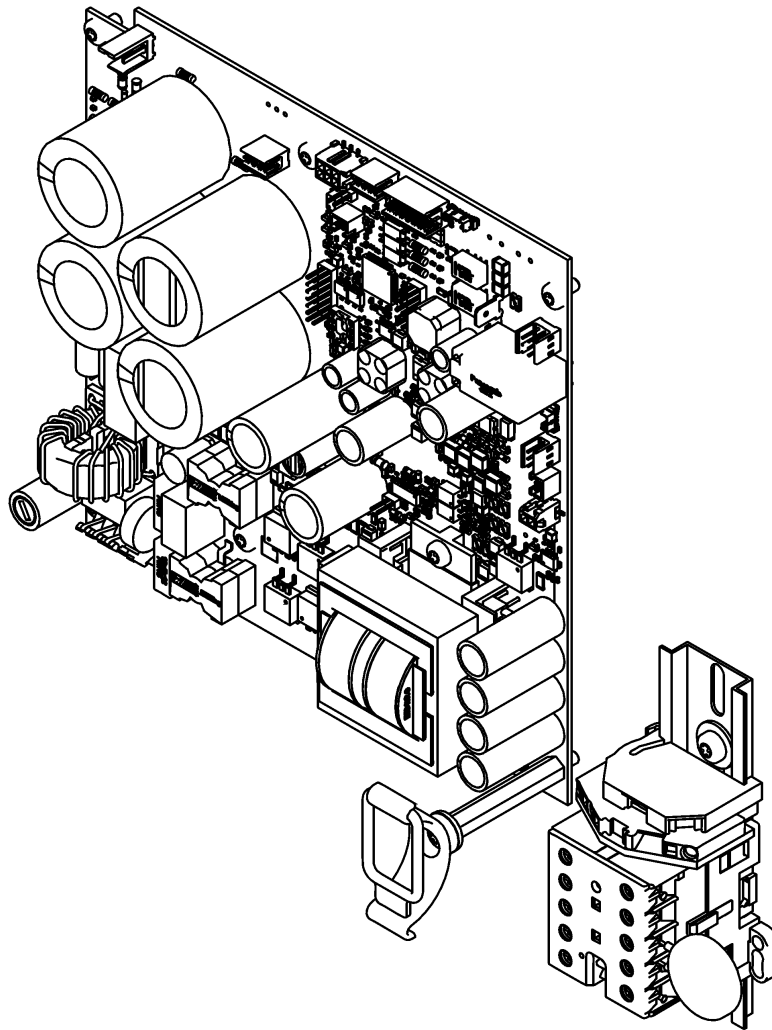
Voltage type

Material No.	Qty	Material description	available for order	Wear part	Recomm. sp. part	Metr. relevance
38023142002	1	Power Supply 100-120V cpl				

Voltage type



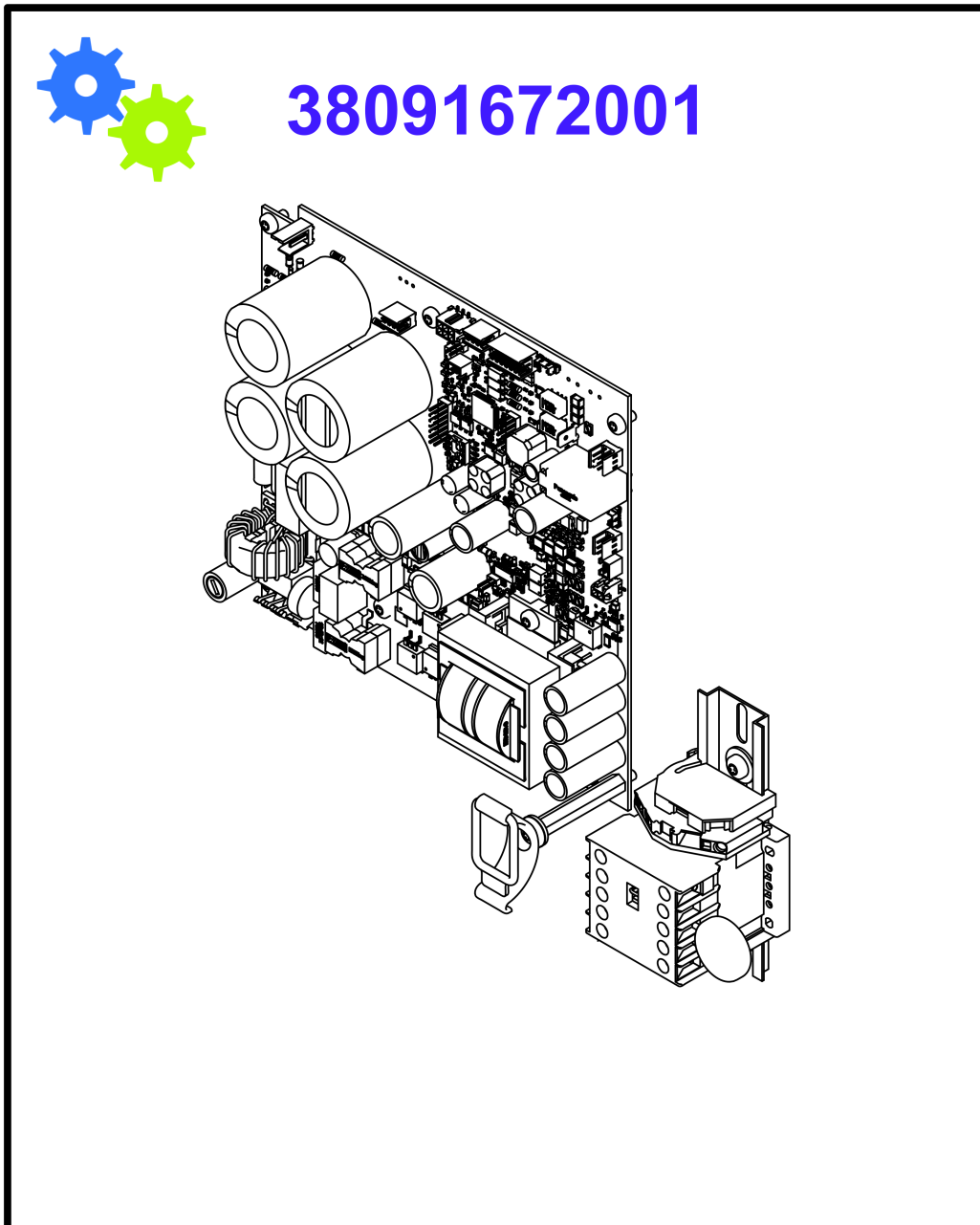
38023142003



Voltage type

Material No.	Qty	Material description	available for order	Wear part	Recomm. sp. part	Metr. relevance
38023142003	1	Power Supply 100-120V cpl				

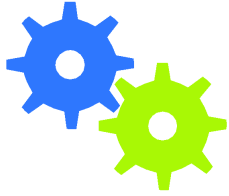
Voltage type



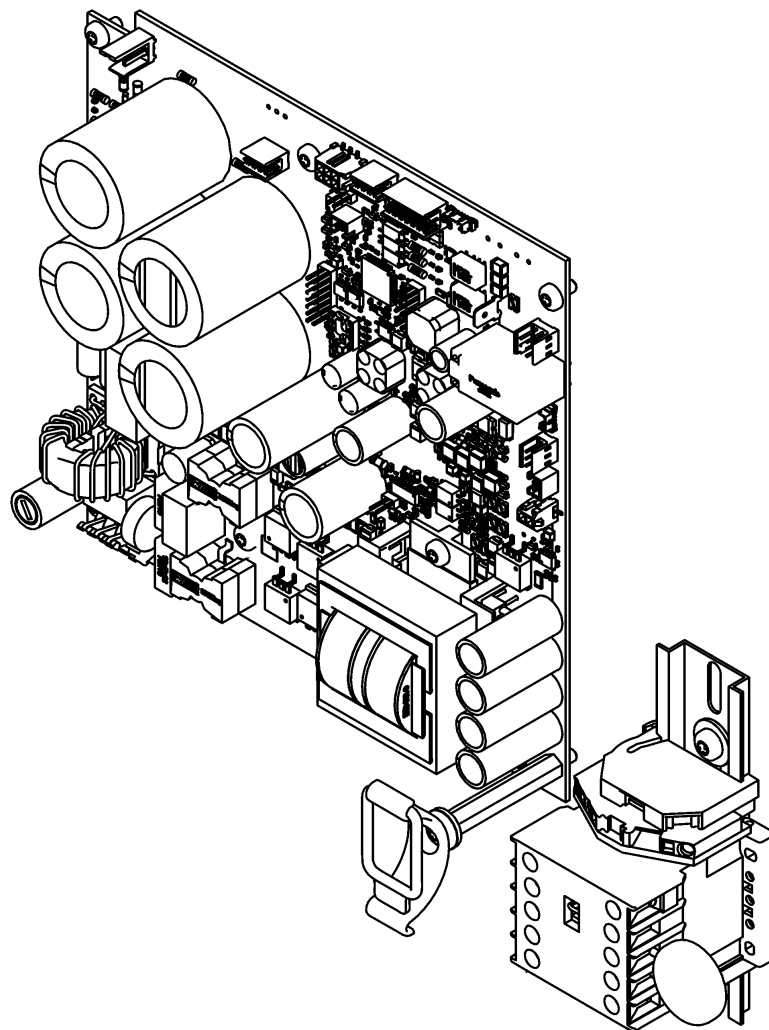
Voltage type

Material No.	Qty	Material description	available for order	Wear part	Recomm. sp. part	Metr. relevance
38091672001	1	Power Supply 100V cpl				

Voltage type



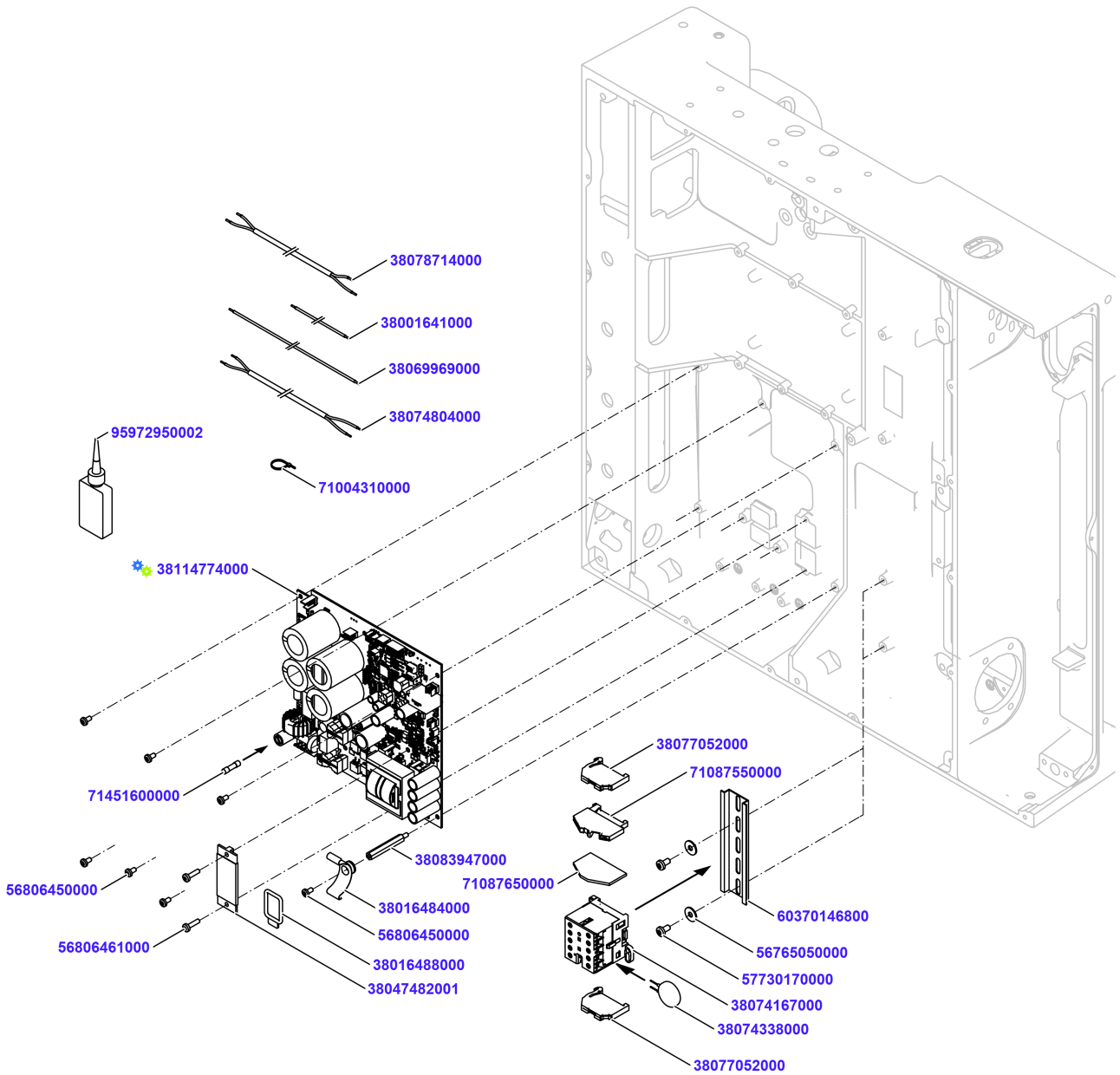
38091672003



Voltage type

Material No.	Qty	Material description	available for order	Wear part	Recomm. sp. part	Metr. relevance
38091672003	1	Power Supply 100V cpl				

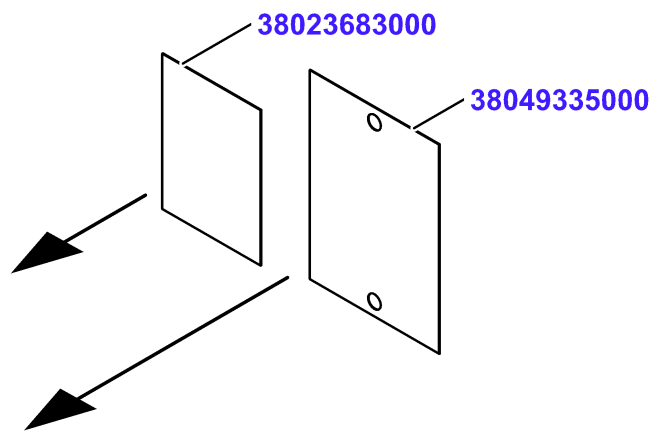
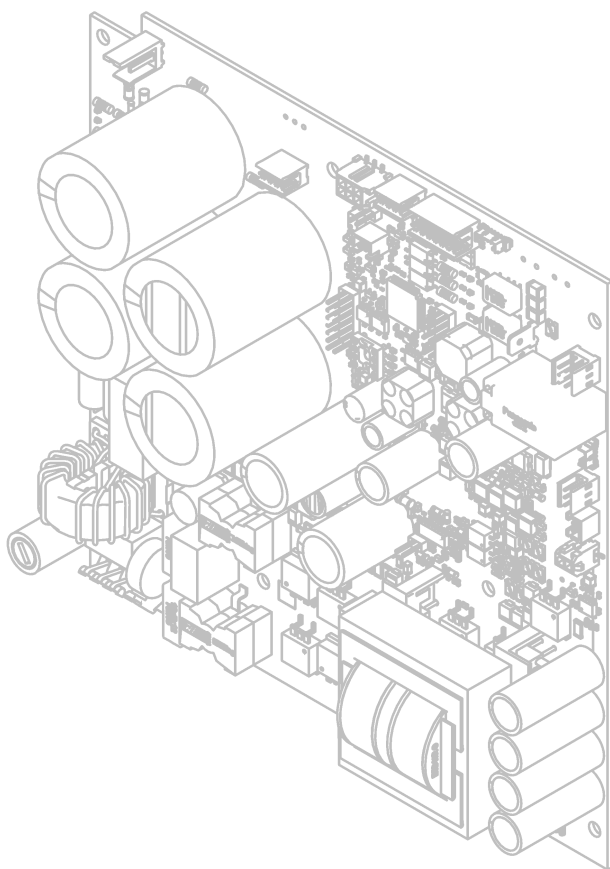
Power Supply 220-240V cpl



Power Supply 220-240V cpl

Material No.	Qty	Material description	available for order	Wear part	Recomm. sp. part	Metr. relevance
38114774000	1	Prog.+PCBA VSI Power Supply 230V + therm	✓			
71451600000	1	Fuse T6.3			✓	
56806450000	6	Oval-Head Screw ISO 14583-M4x8-T20-A2-70	✓			
38083947000	1	Distance bolt SW7x45 M4-M4 In-Out	✓			
38016484000	1	Cradle Clip C3	✓			
56806450000	1	Oval-Head Screw ISO 14583-M4x8-T20-A2-70	✓			
38016488000	1	Retaining Ring R3	✓			
38047482001	1	Holder cpl.	✓			
56806461000	2	Oval Head Screw ISO14583-M4x16-T20-A2-70	✓			
60370146800	1	cap rail	✓			
95972950002	0,001	Loctite 243 50 ml 95972950002	✓			
57730170000	2	Oval-head Screw ISO14583 M5x10-A2-70-T25	✓			
56765050000	2	Washer DIN 9021-5_3-A2-70 56765050000	✓			
38074167000	1	Contacto 220-240V/40-450Hz B7-30-10	✓			
38074338000	1	Thermistor NTC 5 Ohm 20% 6,7W 9,5A	✓			
38077052000	2	Screwless End Clamp	✓			
71087550000	1	Terminal Block 3pol 2,5qmm 280-641	✓			
71087650000	1	Intermediate Plate 280-313	✓			
38078714000	1	Ca Rd 2x0,75qmm 0,38m	✓			
38001641000	1	Ka Li BK 1qmm 0,080m	✓			
38069969000	1	Ca Stw BK AWG18 0,160m	✓			
38074804000	1	Ca Rd 2x0,5qmm 0,45m	✓			
71004310000	2	Cabel Tie T18R	✓			

Prog.+PCBA VSI Power Supply 230V + therm

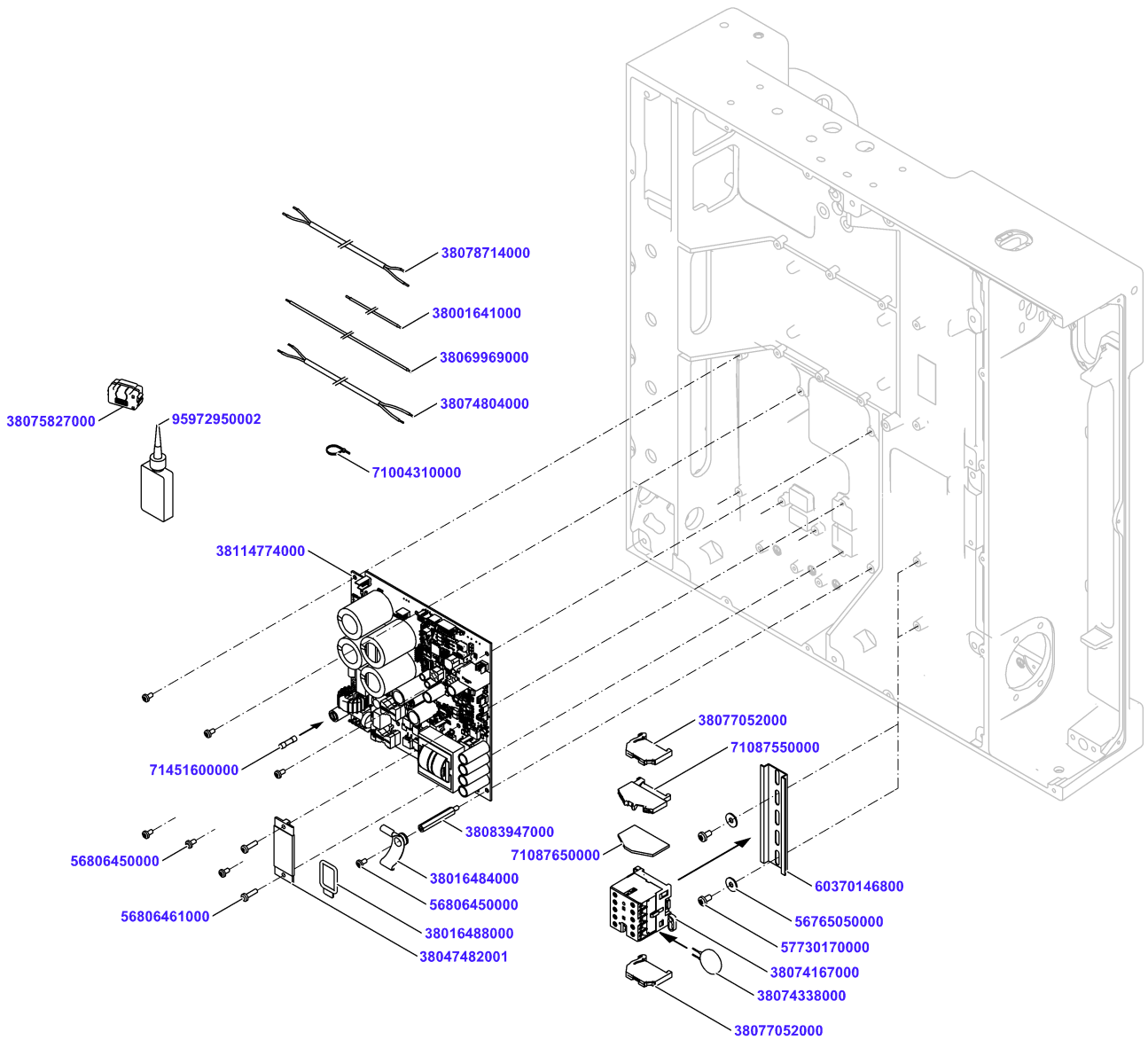


Prog.+PCBA VSI Power Supply 230V + therm

Material No.	Qty	Material description
38023683000	1	Thermal Pad 38x52x0,2 pink
38049335000	1	Thermal Pad

available for order
Wear part
Recomm. sp. part
Metr. relevance

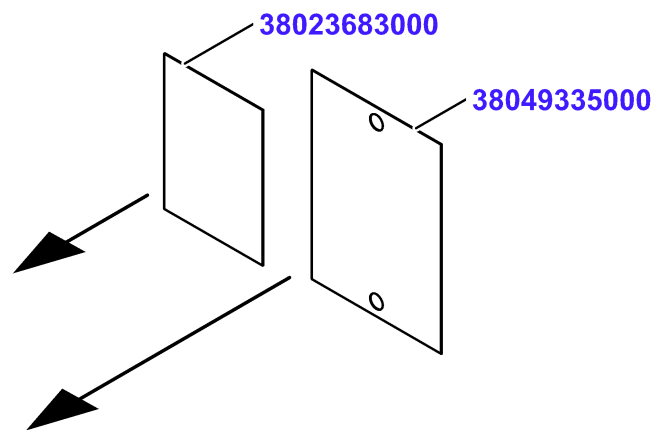
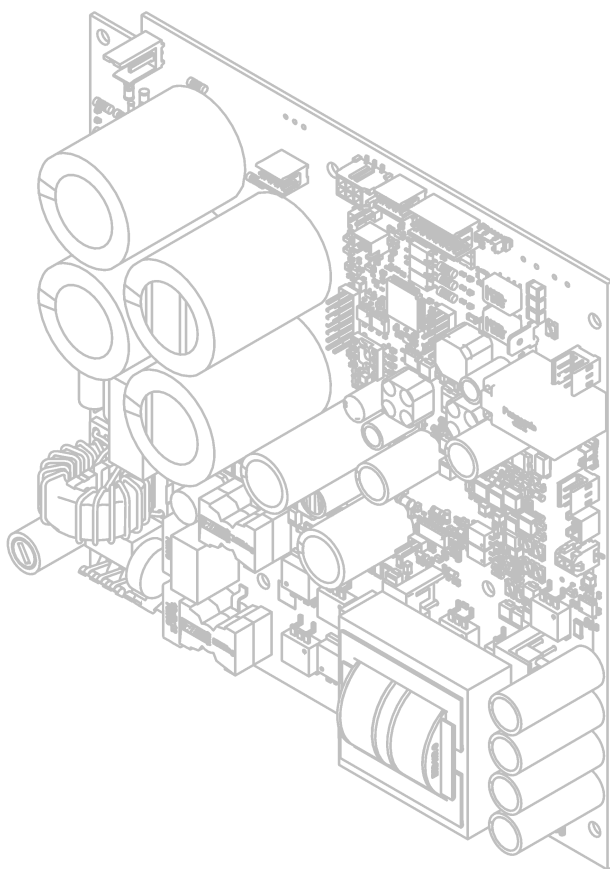
Power Supply 220-240V cpl



Power Supply 220-240V cpl

Material No.	Qty	Material description	available for order	Wear part	Recomm. sp. part	Metr. relevance
38114774000	1	Prog.+PCBA VSI Power Supply 230V + therm	✓			
71451600000	1	Fuse T6.3	✓		✓	
56806450000	6	Oval-Head Screw ISO 14583-M4x8-T20-A2-70	✓			
38083947000	1	Distance bolt SW7x45 M4-M4 In-Out	✓			
38016484000	1	Cradle Clip C3	✓			
56806450000	1	Oval-Head Screw ISO 14583-M4x8-T20-A2-70	✓			
38016488000	1	Retaining Ring R3	✓			
38047482001	1	Holder cpl.	✓			
56806461000	2	Oval Head Screw ISO14583-M4x16-T20-A2-70	✓			
60370146800	1	cap rail	✓			
95972950002	0,001	Loctite 243 50 ml 95972950002	✓			
57730170000	2	Oval-head Screw ISO14583 M5x10-A2-70-T25	✓			
56765050000	2	Washer DIN 9021-5_3-A2-70 56765050000	✓			
38074167000	1	Contacto 220-240V/40-450Hz B7-30-10	✓			
38074338000	1	Thermistor NTC 5 Ohm 20% 6,7W 9,5A	✓			
38077052000	2	Screwless End Clamp	✓			
71087550000	1	Terminal Block 3pol 2,5qmm 280-641	✓			
71087650000	1	Intermediate Plate 280-313	✓			
38078714000	1	Ca Rd 2x0,75qmm 0,38m	✓			
38001641000	1	Ka Li BK 1qmm 0,080m	✓			
38069969000	1	Ca Stw BK AWG18 0,160m	✓			
38074804000	1	Ca Rd 2x0,5qmm 0,45m	✓			
71004310000	2	Cabel Tie T18R	✓			
38075827000	1	Clip Ferrite 4,5-8mm	✓			

Prog.+PCBA VSI Power Supply 230V + therm

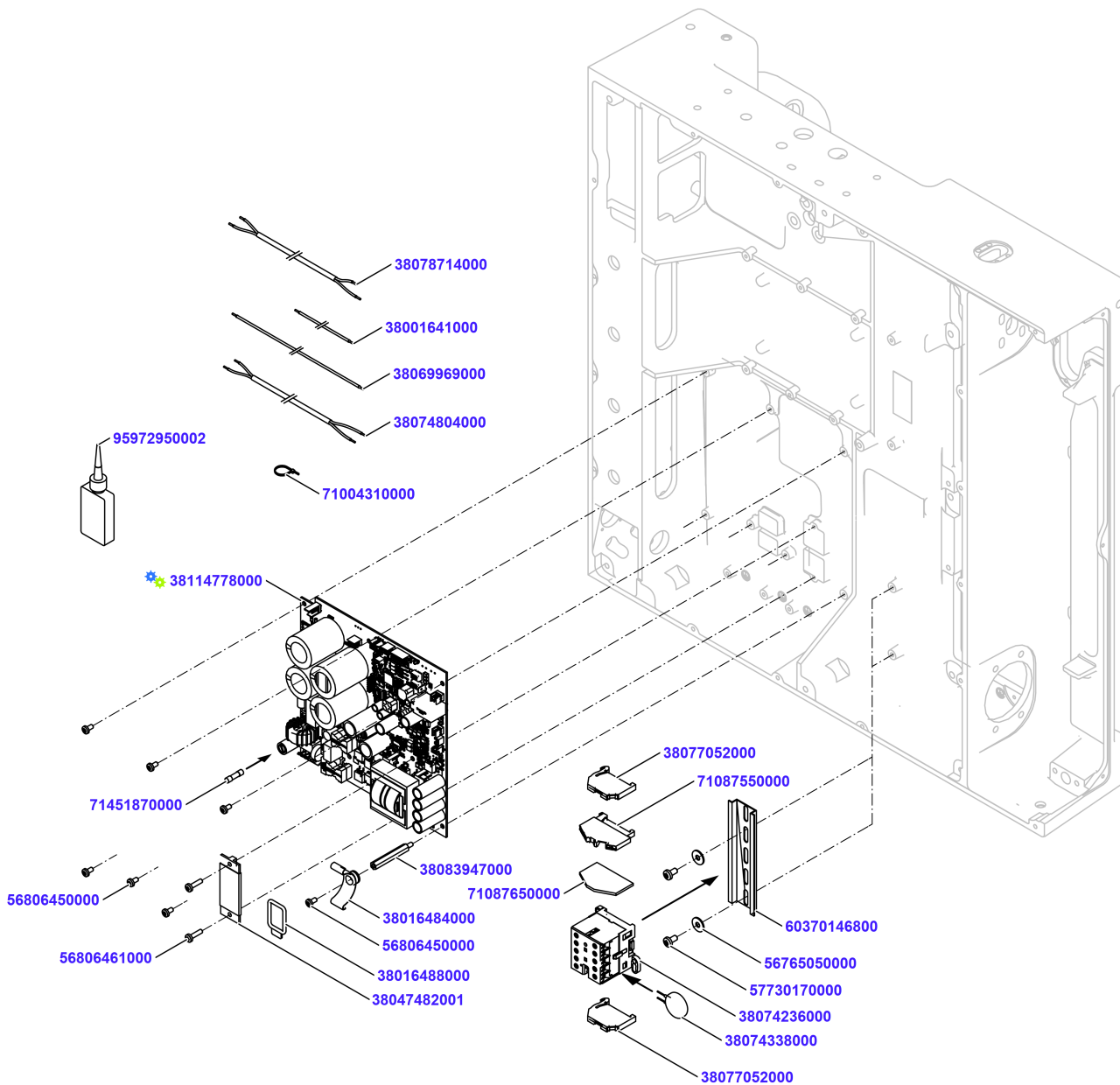


Prog.+PCBA VSI Power Supply 230V + therm

Material No.	Qty	Material description
38023683000	1	Thermal Pad 38x52x0,2 pink
38049335000	1	Thermal Pad

available for order
Wear part
Recomm. sp. part
Metr. relevance

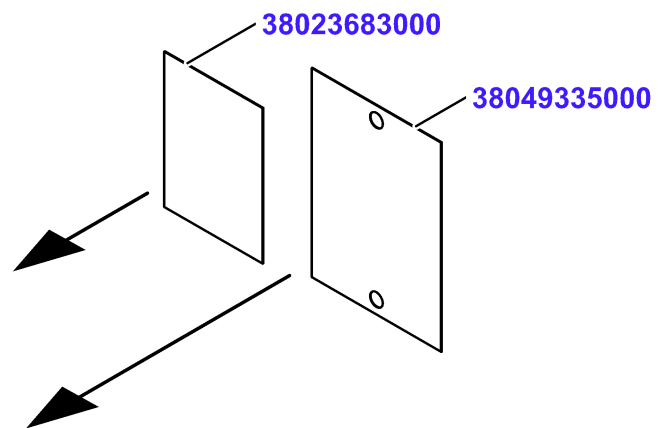
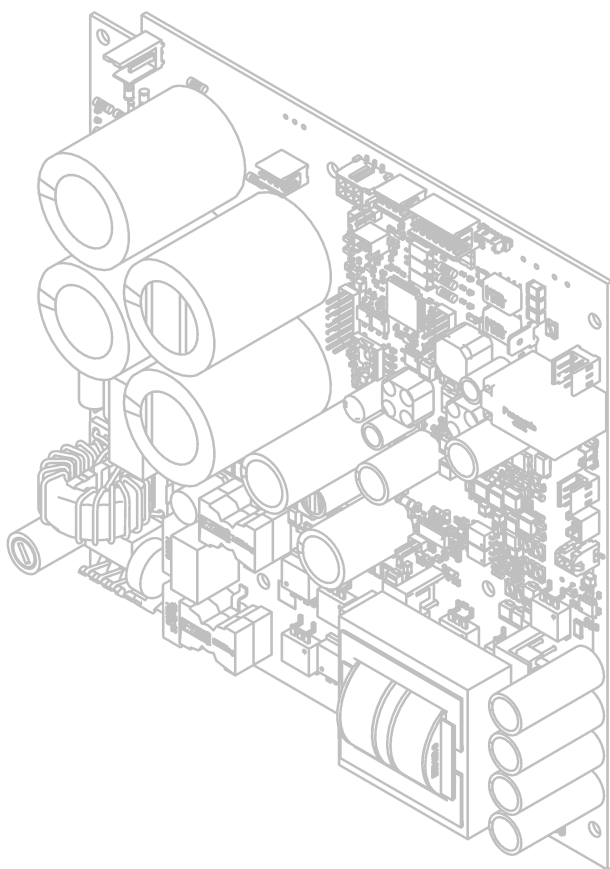
Power Supply 100-120V cpl



Power Supply 100-120V cpl

Material No.	Qty	Material description	available for order	Wear part	Recomm. sp. part	Metr. relevance
38114778000	1	Prog.+PCBA VSI Power Supply 120V + therm	✓			
71451870000	1	Fuse 8,0T UL 215008.P 71451870000	✓			
56806450000	6	Oval-Head Screw ISO 14583-M4x8-T20-A2-70	✓			
38083947000	1	Distance bolt SW7x45 M4-M4 In-Out	✓			
38016484000	1	Cradle Clip C3	✓			
56806450000	1	Oval-Head Screw ISO 14583-M4x8-T20-A2-70	✓			
38016488000	1	Retaining Ring R3	✓			
38047482001	1	Holder cpl.	✓			
56806461000	2	Oval Head Screw ISO14583-M4x16-T20-A2-70	✓			
60370146800	1	cap rail	✓			
57730170000	2	Oval-head Screw ISO14583 M5x10-A2-70-T25	✓			
56765050000	2	Washer DIN 9021-5_3-A2-70 56765050000	✓			
95972950002	0,001	Loctite 243 50 ml 95972950002	✓			
38074236000	1	Contacto 110-127V/40-450Hz B7-30-10	✓			
38074338000	1	Thermistor NTC 5 Ohm 20% 6,7W 9,5A	✓			
38077052000	2	Screwless End Clamp	✓			
71087550000	1	Terminal Block 3pol 2,5qmm 280-641	✓			
71087650000	1	Intermediate Plate 280-313	✓			
38078714000	1	Ca Rd 2x0,75qmm 0,38m	✓			
38001641000	1	Ka Li BK 1qmm 0,080m	✓			
38069969000	1	Ca Stw BK AWG18 0,160m	✓			
38074804000	1	Ca Rd 2x0,5qmm 0,45m	✓			
71004310000	2	Cabel Tie T18R	✓			

Prog.+PCBA VSI Power Supply 120V + therm

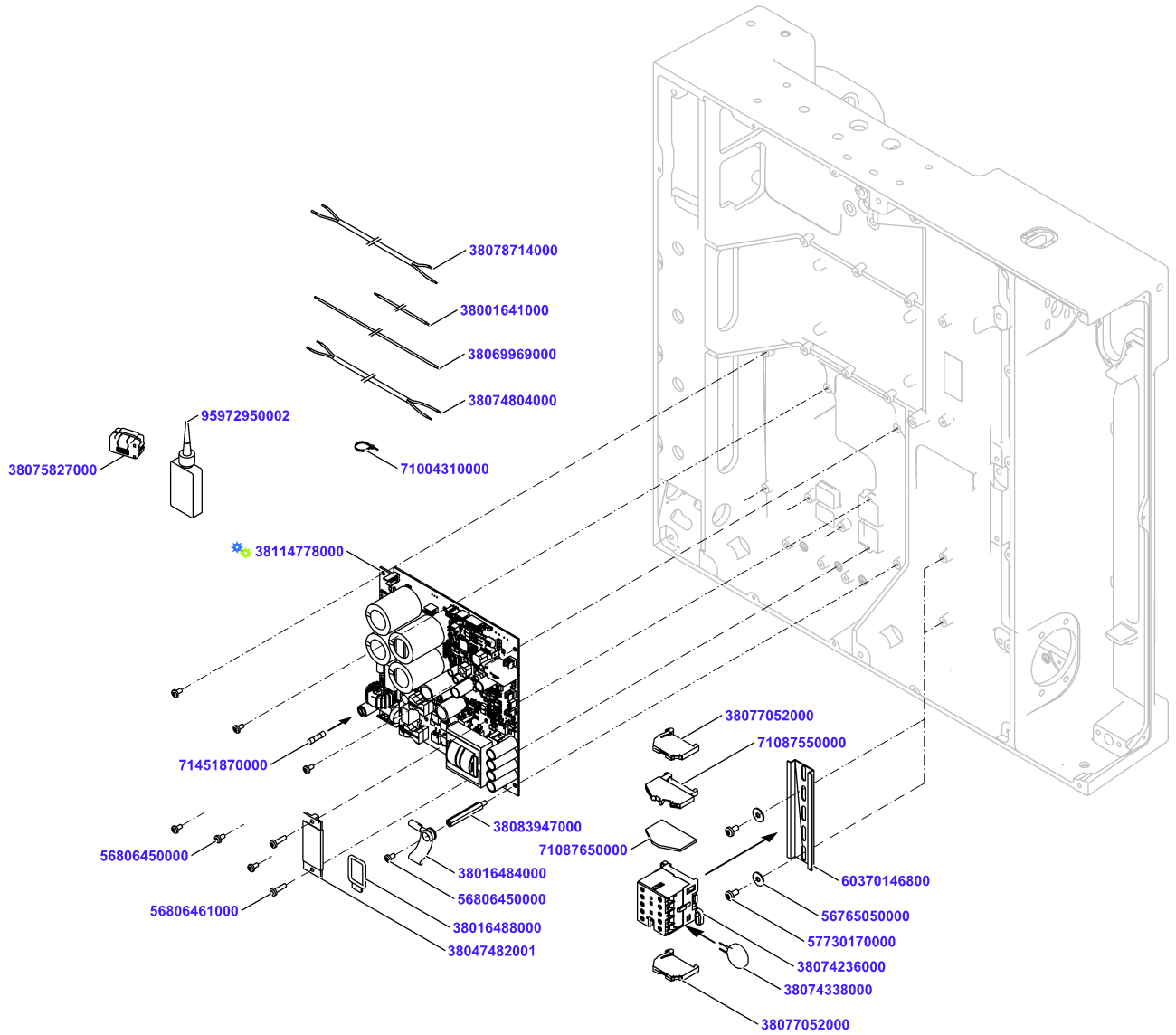


Prog.+PCBA VSI Power Supply 120V + therm

Material No.	Qty	Material description
38023683000	1	Thermal Pad 38x52x0,2 pink
38049335000	1	Thermal Pad

available for order	Wear part	Recomm. sp. part	Metr. relevance

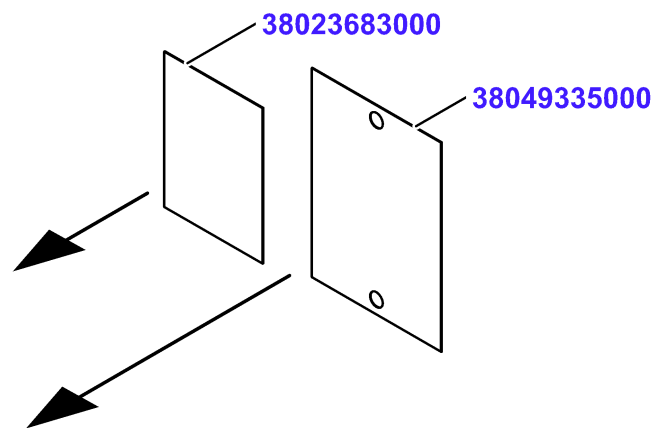
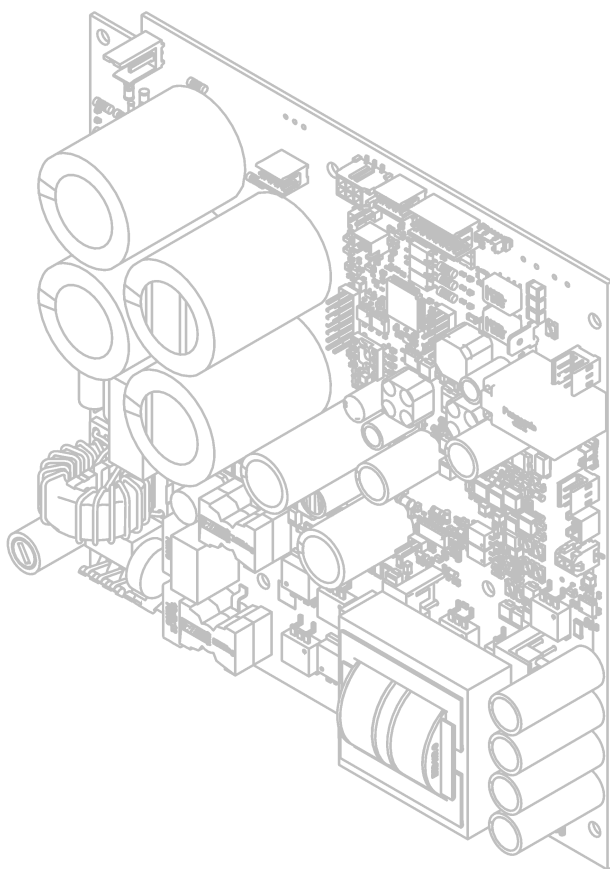
Power Supply 100-120V cpl



Power Supply 100-120V cpl

Material No.	Qty	Material description	available for order	Wear part	Recomm. sp. part	Metr. relevance
38114778000	1	Prog.+PCBA VSI Power Supply 120V + therm				
71451870000	1	Fuse 8,0T UL 215008.P 71451870000				
56806450000	6	Oval-Head Screw ISO 14583-M4x8-T20-A2-70				
38083947000	1	Distance bolt SW7x45 M4-M4 In-Out				
38016484000	1	Cradle Clip C3				
56806450000	1	Oval-Head Screw ISO 14583-M4x8-T20-A2-70				
38016488000	1	Retaining Ring R3				
38047482001	1	Holder cpl.				
56806461000	2	Oval Head Screw ISO14583-M4x16-T20-A2-70				
60370146800	1	cap rail				
57730170000	2	Oval-head Screw ISO14583 M5x10-A2-70-T25				
56765050000	2	Washer DIN 9021-5_3-A2-70 56765050000				
95972950002	0,001	Loctite 243 50 ml 95972950002				
38074236000	1	Contacto 110-127V/40-450Hz B7-30-10				
38074338000	1	Thermistor NTC 5 Ohm 20% 6,7W 9,5A				
38077052000	2	Screwless End Clamp				
71087550000	1	Terminal Block 3pol 2,5qmm 280-641				
71087650000	1	Intermediate Plate 280-313				
38078714000	1	Ca Rd 2x0,75qmm 0,38m				
38001641000	1	Ka Li BK 1qmm 0,080m				
38069969000	1	Ca Stw BK AWG18 0,160m				
38074804000	1	Ca Rd 2x0,5qmm 0,45m				
71004310000	2	Cabel Tie T18R				
38075827000	1	Clip Ferrite 4,5-8mm				

Prog.+PCBA VSI Power Supply 120V + therm

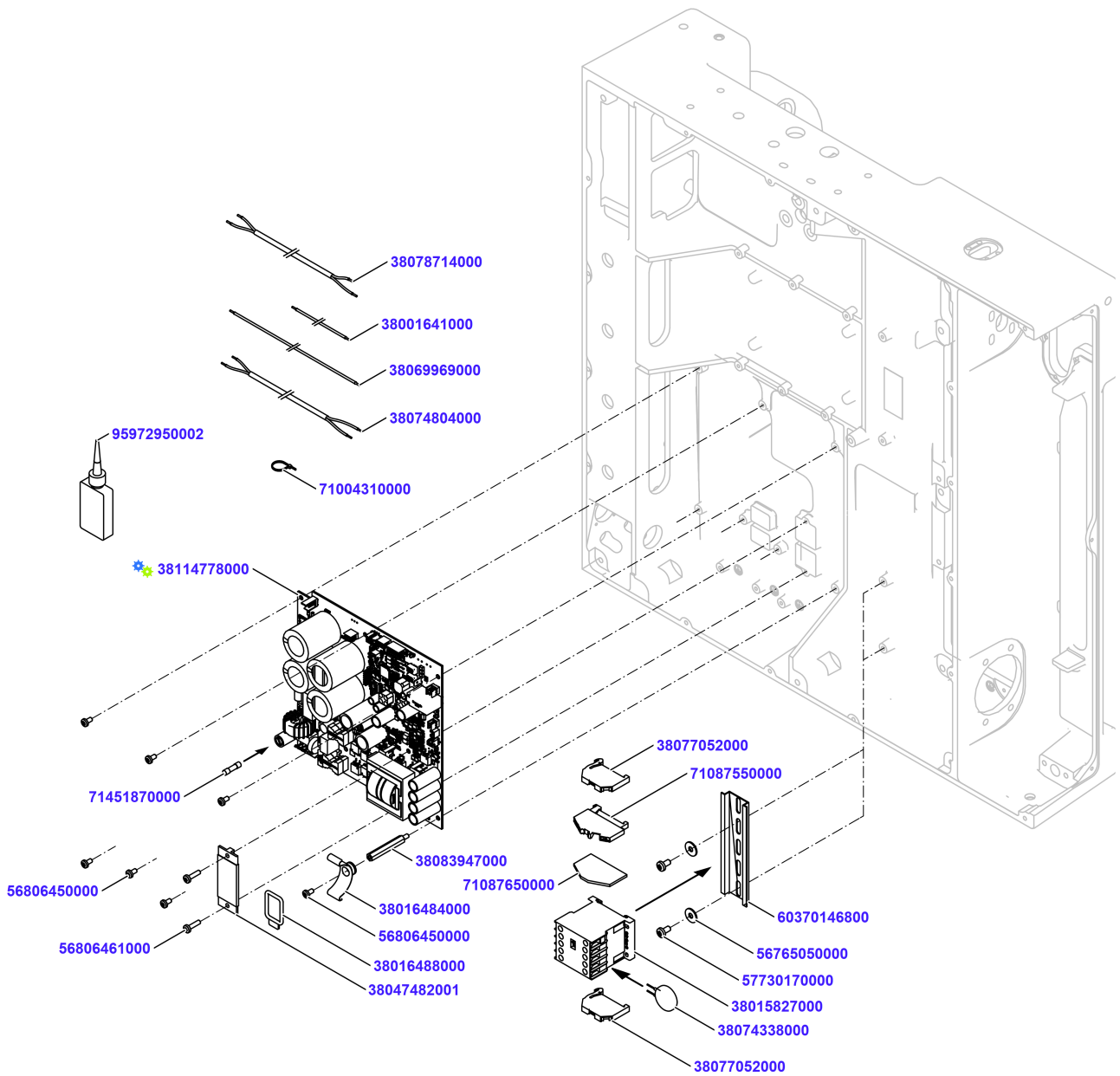


Prog.+PCBA VSI Power Supply 120V + therm

Material No.	Qty	Material description
38023683000	1	Thermal Pad 38x52x0,2 pink
38049335000	1	Thermal Pad

available for order
Wear part
Recomm. sp. part
Metr. relevance

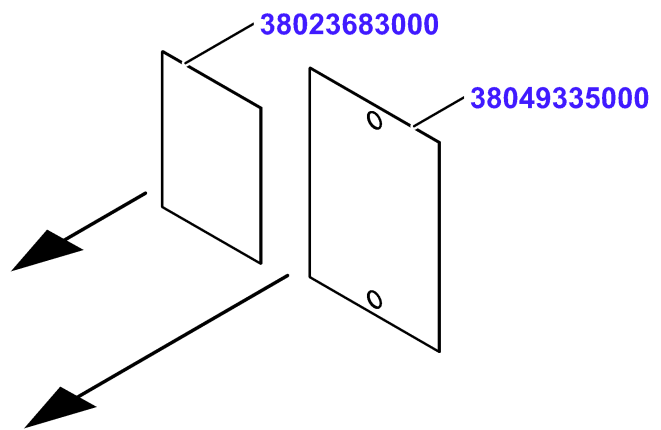
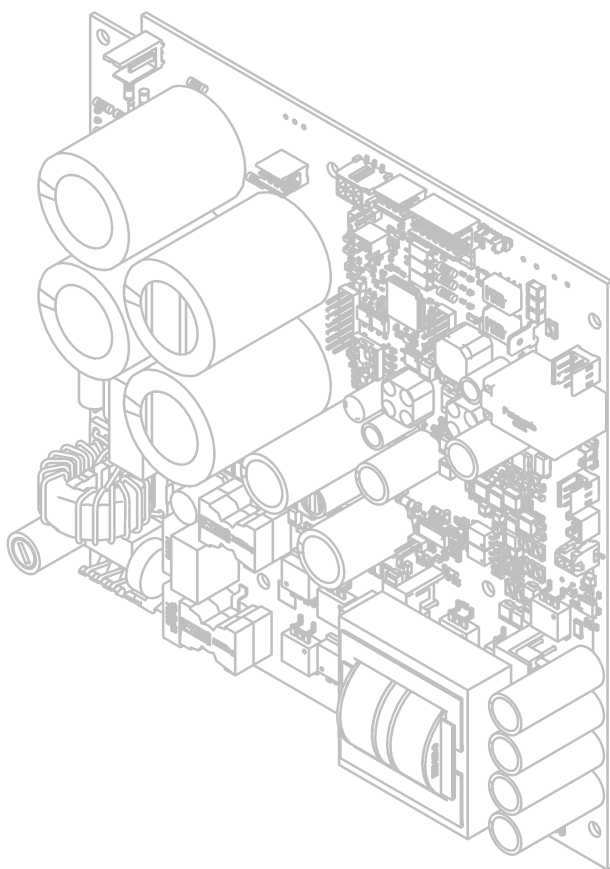
Power Supply 100V cpl



Power Supply 100V cpl

Material No.	Qty	Material description	available for order	Wear part	Recomm. sp. part	Metr. relevance
38114778000	1	Prog.+PCBA VSI Power Supply 120V + therm	✓			
71451870000	1	Fuse 8,0T UL 215008.P 71451870000	✓			
56806450000	6	Oval-Head Screw ISO 14583-M4x8-T20-A2-70	✓			
38083947000	1	Distance bolt SW7x45 M4-M4 In-Out	✓			
38016484000	1	Cradle Clip C3	✓			
56806450000	1	Oval-Head Screw ISO 14583-M4x8-T20-A2-70	✓			
38016488000	1	Retaining Ring R3	✓			
38047482001	1	Holder cpl.	✓			
56806461000	2	Oval Head Screw ISO14583-M4x16-T20-A2-70	✓			
60370146800	1	cap rail	✓			
95972950002	0,001	Loctite 243 50 ml 95972950002	✓			
57730170000	2	Oval-head Screw ISO14583 M5x10-A2-70-T25	✓			
56765050000	2	Washer DIN 9021-5_3-A2-70 56765050000	✓			
38015827000	1	Contacto 100V 1C	✓			
38074338000	1	Thermistor NTC 5 Ohm 20% 6,7W 9,5A	✓			
38077052000	2	Screwless End Clamp	✓			
71087550000	1	Terminal Block 3pol 2,5qmm 280-641	✓			
71087650000	1	Intermediate Plate 280-313	✓			
38078714000	1	Ca Rd 2x0,75qmm 0,38m	✓			
38001641000	1	Ka Li BK 1qmm 0,080m	✓			
38069969000	1	Ca Stw BK AWG18 0,160m	✓			
38074804000	1	Ca Rd 2x0,5qmm 0,45m	✓			
71004310000	2	Cabel Tie T18R	✓			

Prog.+PCBA VSI Power Supply 120V + therm

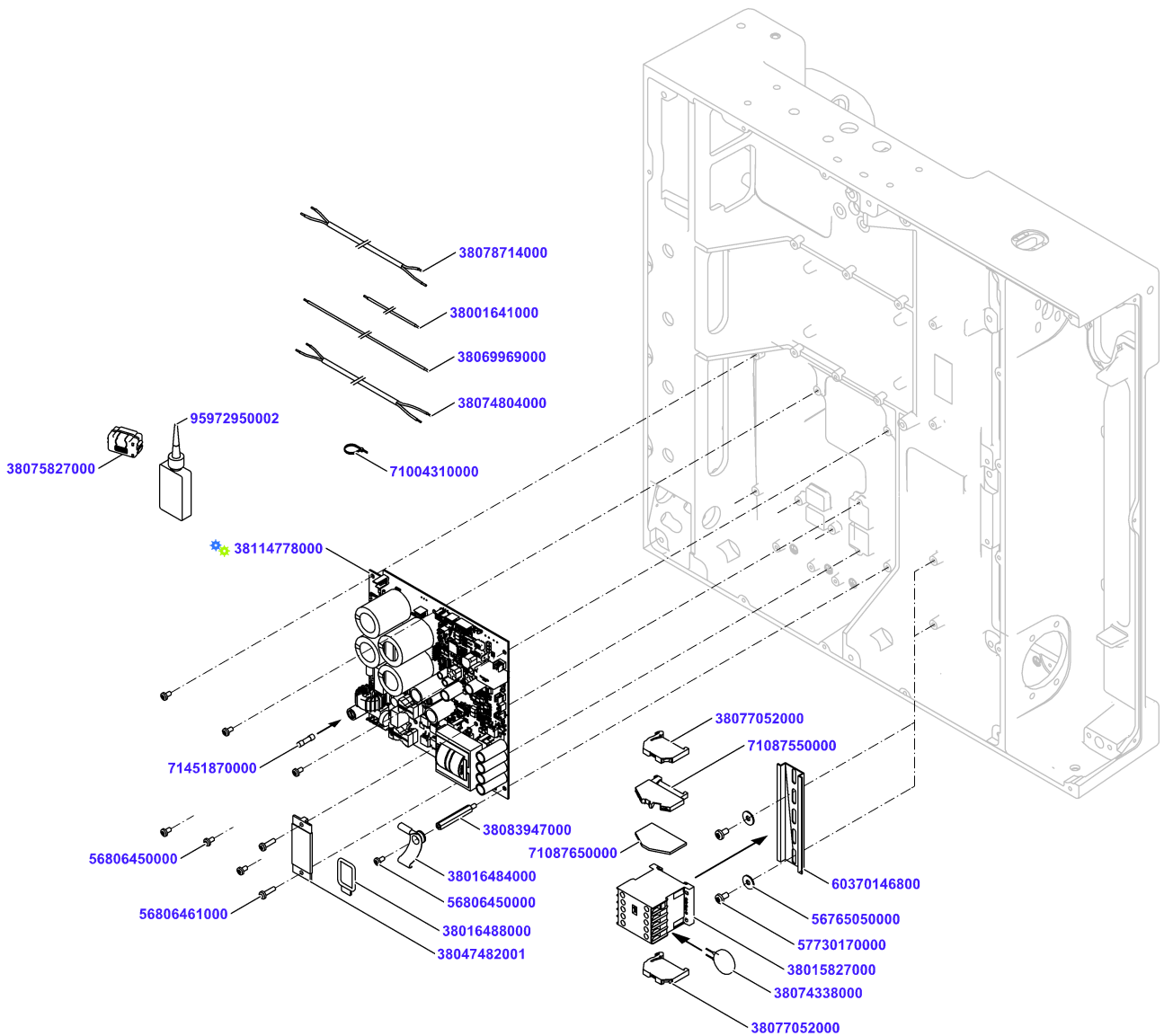


Prog.+PCBA VSI Power Supply 120V + therm

Material No.	Qty	Material description
38023683000	1	Thermal Pad 38x52x0,2 pink
38049335000	1	Thermal Pad

available for order
Wear part
Recomm. sp. part
Metr. relevance

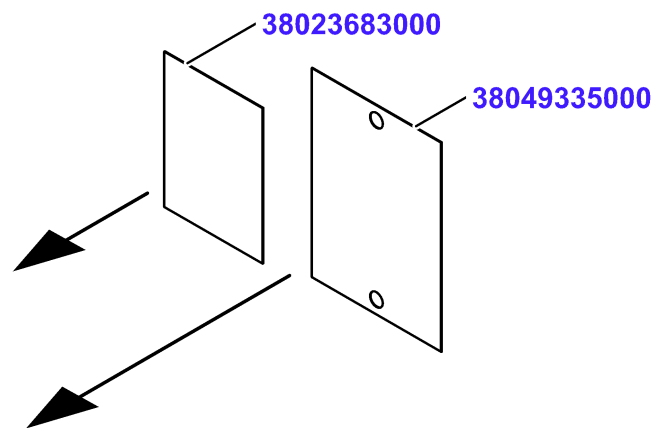
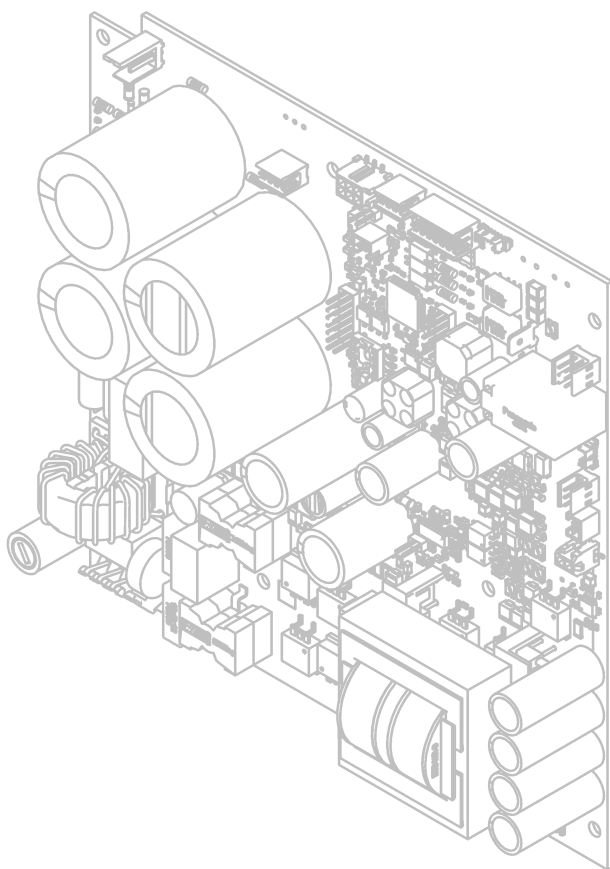
Power Supply 100V cpl



Power Supply 100V cpl

Material No.	Qty	Material description	available for order	Wear part	Recomm. sp. part	Metr. relevance
38114778000	1	Prog.+PCBA VSI Power Supply 120V + therm	✓			
71451870000	1	Fuse 8,0T UL 215008.P 71451870000	✓			
56806450000	6	Oval-Head Screw ISO 14583-M4x8-T20-A2-70	✓			
38083947000	1	Distance bolt SW7x45 M4-M4 In-Out	✓			
38016484000	1	Cradle Clip C3	✓			
56806450000	1	Oval-Head Screw ISO 14583-M4x8-T20-A2-70	✓			
38016488000	1	Retaining Ring R3	✓			
38047482001	1	Holder cpl.	✓			
56806461000	2	Oval Head Screw ISO14583-M4x16-T20-A2-70	✓			
60370146800	1	cap rail	✓			
95972950002	0,001	Loctite 243 50 ml 95972950002	✓			
57730170000	2	Oval-head Screw ISO14583 M5x10-A2-70-T25	✓			
56765050000	2	Washer DIN 9021-5_3-A2-70 56765050000	✓			
38015827000	1	Contacto 100V 1C	✓			
38074338000	1	Thermistor NTC 5 Ohm 20% 6,7W 9,5A	✓			
38077052000	2	Screwless End Clamp	✓			
71087550000	1	Terminal Block 3pol 2,5qmm 280-641	✓			
71087650000	1	Intermediate Plate 280-313	✓			
38078714000	1	Ca Rd 2x0,75qmm 0,38m	✓			
38001641000	1	Ka Li BK 1qmm 0,080m	✓			
38069969000	1	Ca Stw BK AWG18 0,160m	✓			
38074804000	1	Ca Rd 2x0,5qmm 0,45m	✓			
71004310000	2	Cabel Tie T18R	✓			
38075827000	1	Clip Ferrite 4,5-8mm	✓			

Prog.+PCBA VSI Power Supply 120V + therm

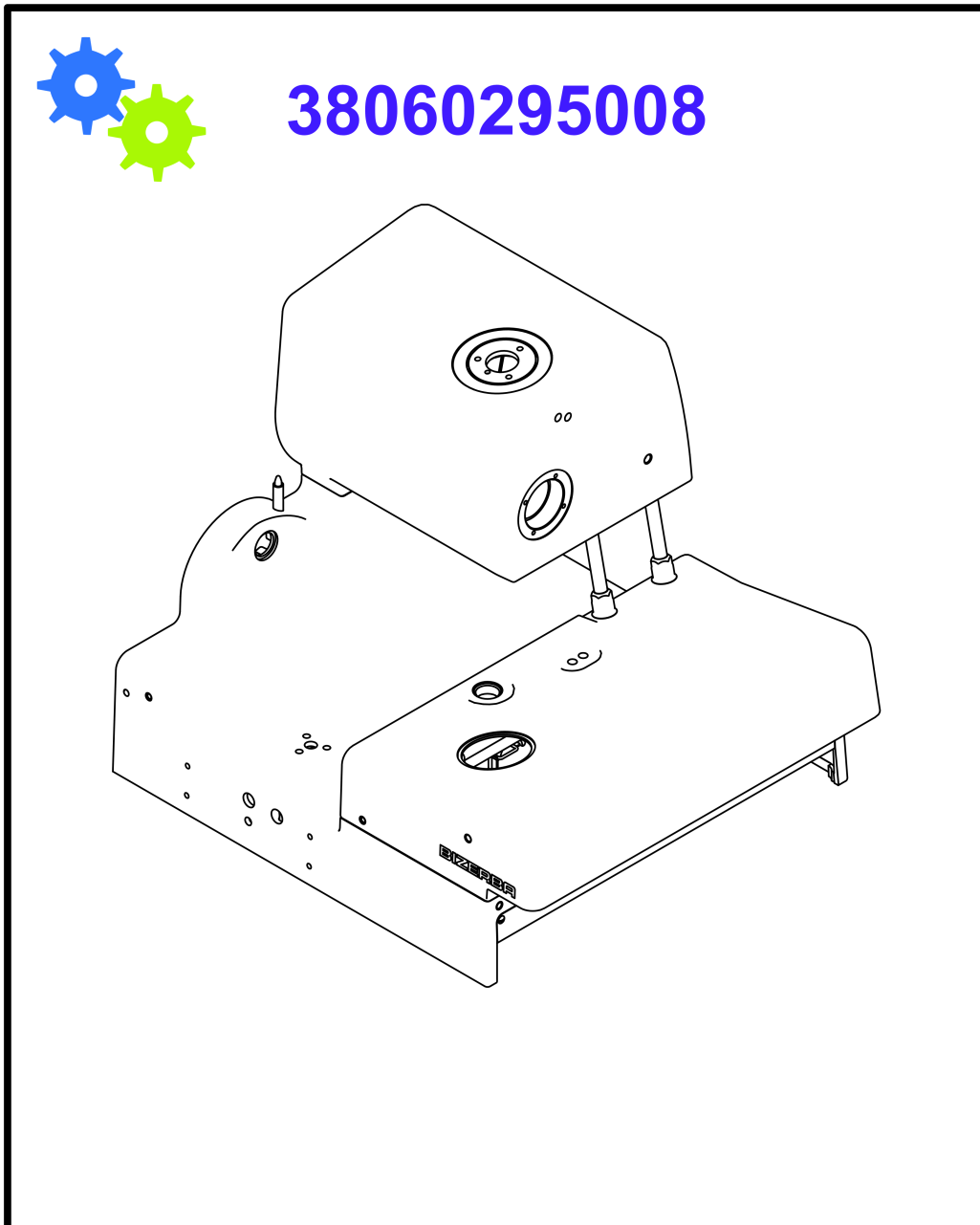


Prog.+PCBA VSI Power Supply 120V + therm

Material No.	Qty	Material description
38023683000	1	Thermal Pad 38x52x0,2 pink
38049335000	1	Thermal Pad

available for order
Wear part
Recomm. sp. part
Metr. relevance

Machine housing



Machine housing

Material No.	Qty	Material description
--------------	-----	----------------------

38060295008	1	Housing Te W Dt
-----------------------------	---	-----------------

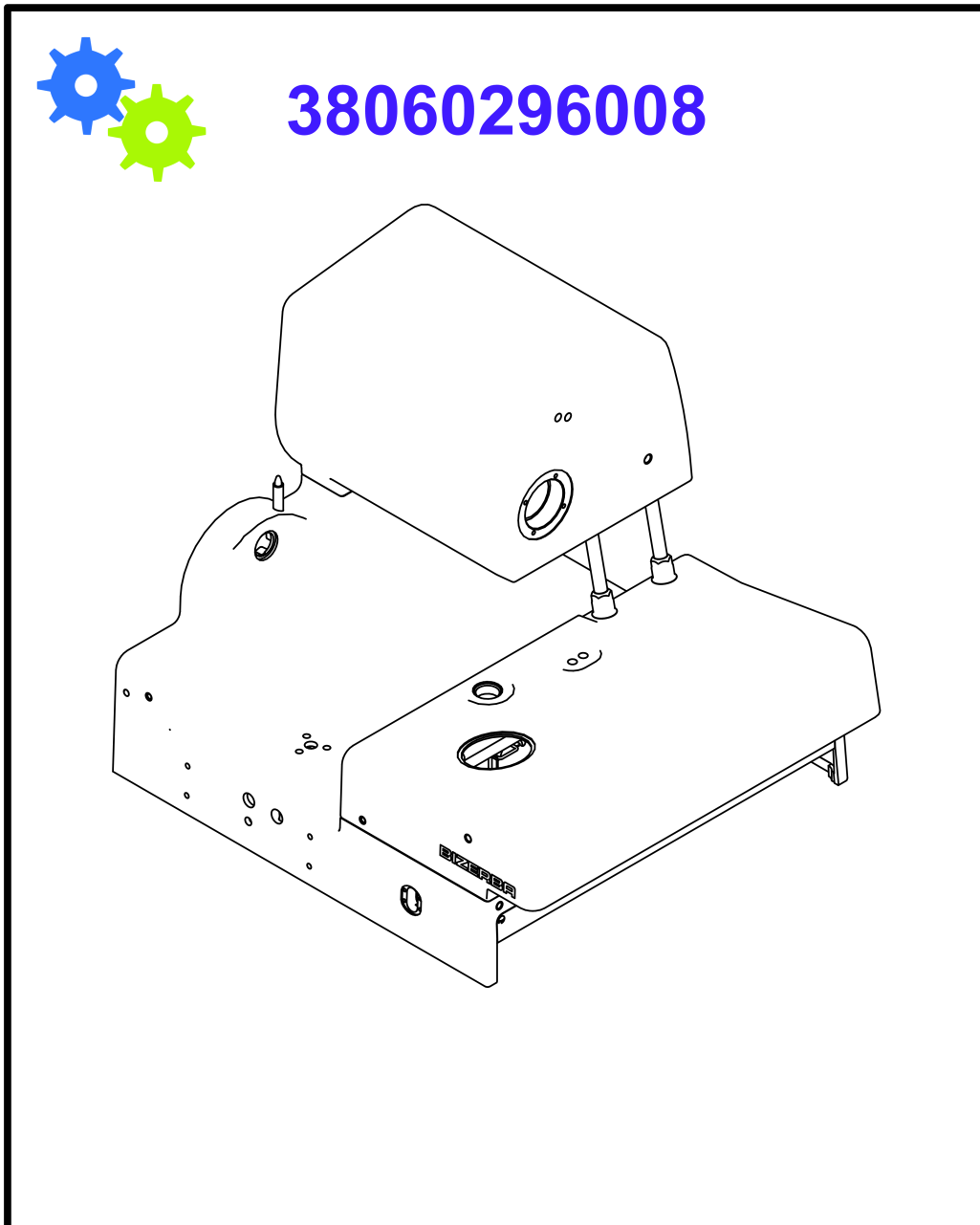
available for order

Wear part

Recomm. sp. part

Metr. relevance

Machine housing



Machine housing

Material No. **Qty** **Material description**

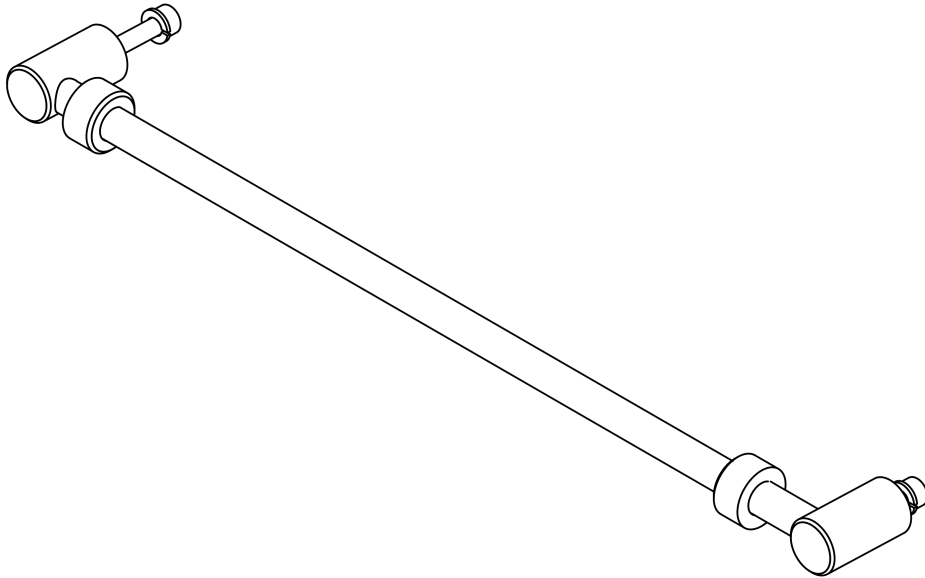
[38060296008](#) 1 Housing Te W Db

available for order
Wear part
Recomm. sp. part
Metr. relevance

Machine housing



38061644000



Machine housing

Material No. **Qty** **Material description**

[38061644000](#) 1 Fixing axis scale cpl

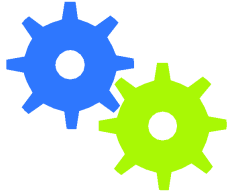
available for order

Wear part

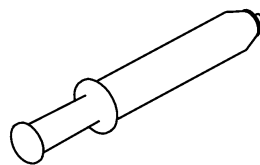
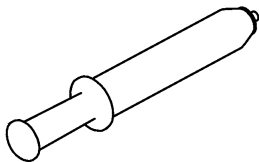
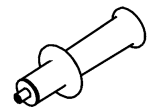
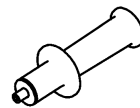
Recomm. sp. part

Metr. relevance

Machine housing



38064575002



Machine housing

Material No.	Qty	Material description
38064575002	1	Carry Handles Set VSI

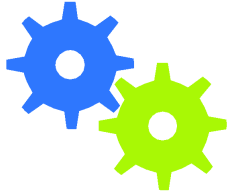
available for order

Wear part

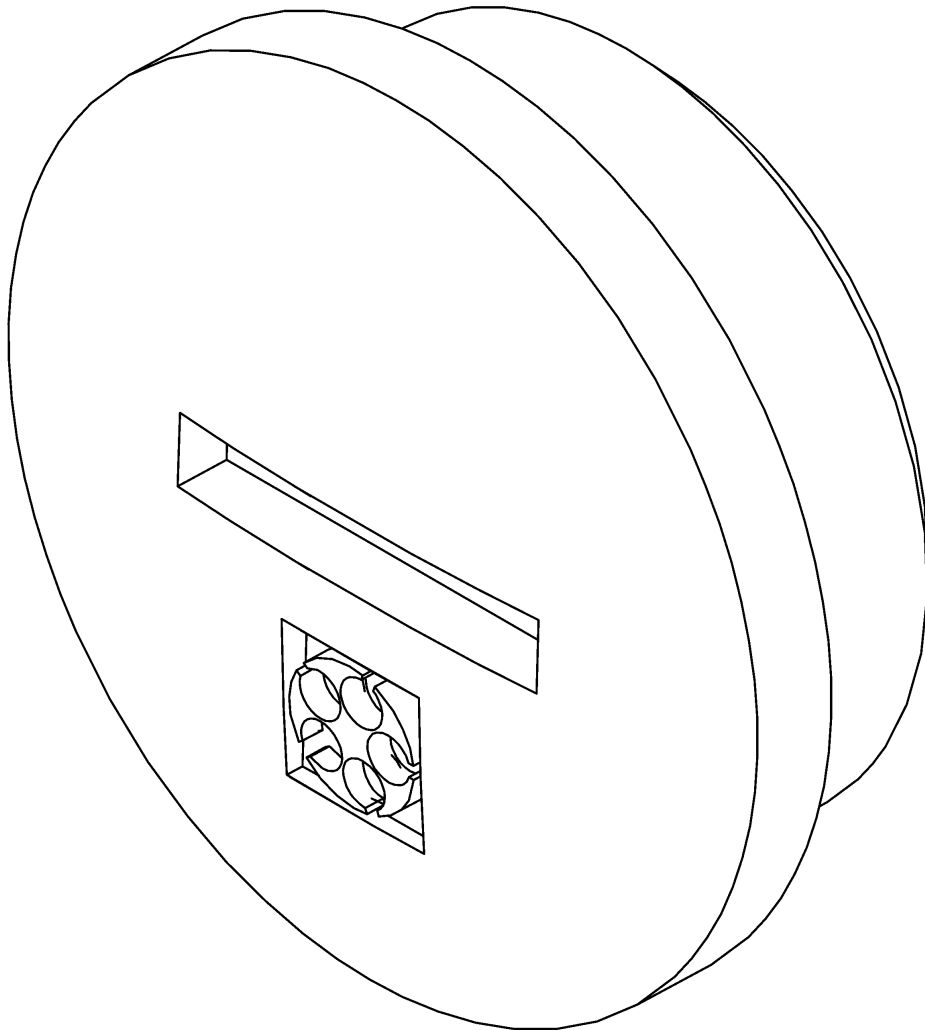
Recomm. sp. part

Metr. relevance

Machine housing



38079006000



Machine housing

Material No.	Qty	Material description
38079006000	1	Screw Plug Motor cpl

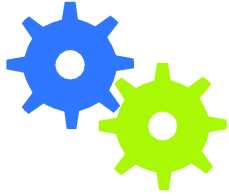
available for order

Wear part

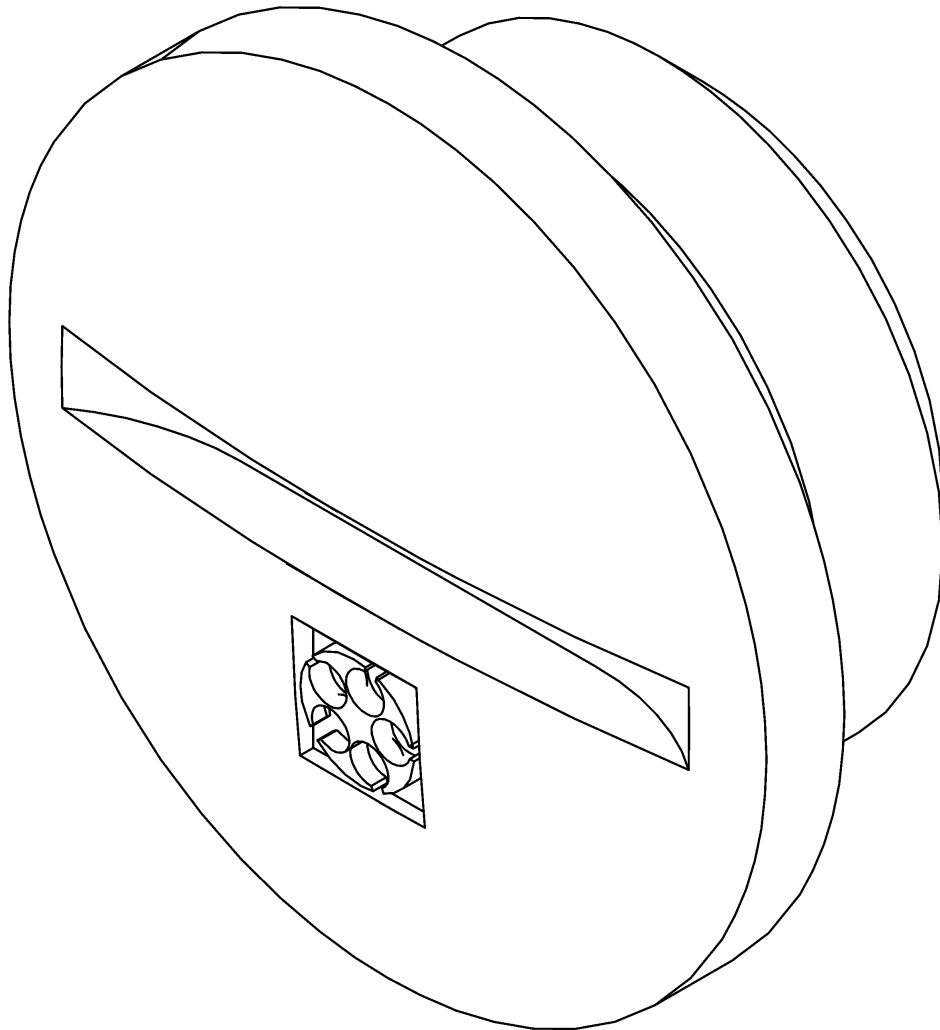
Recomm. sp. part

Metr. relevance

Machine housing



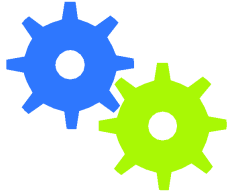
38079007000



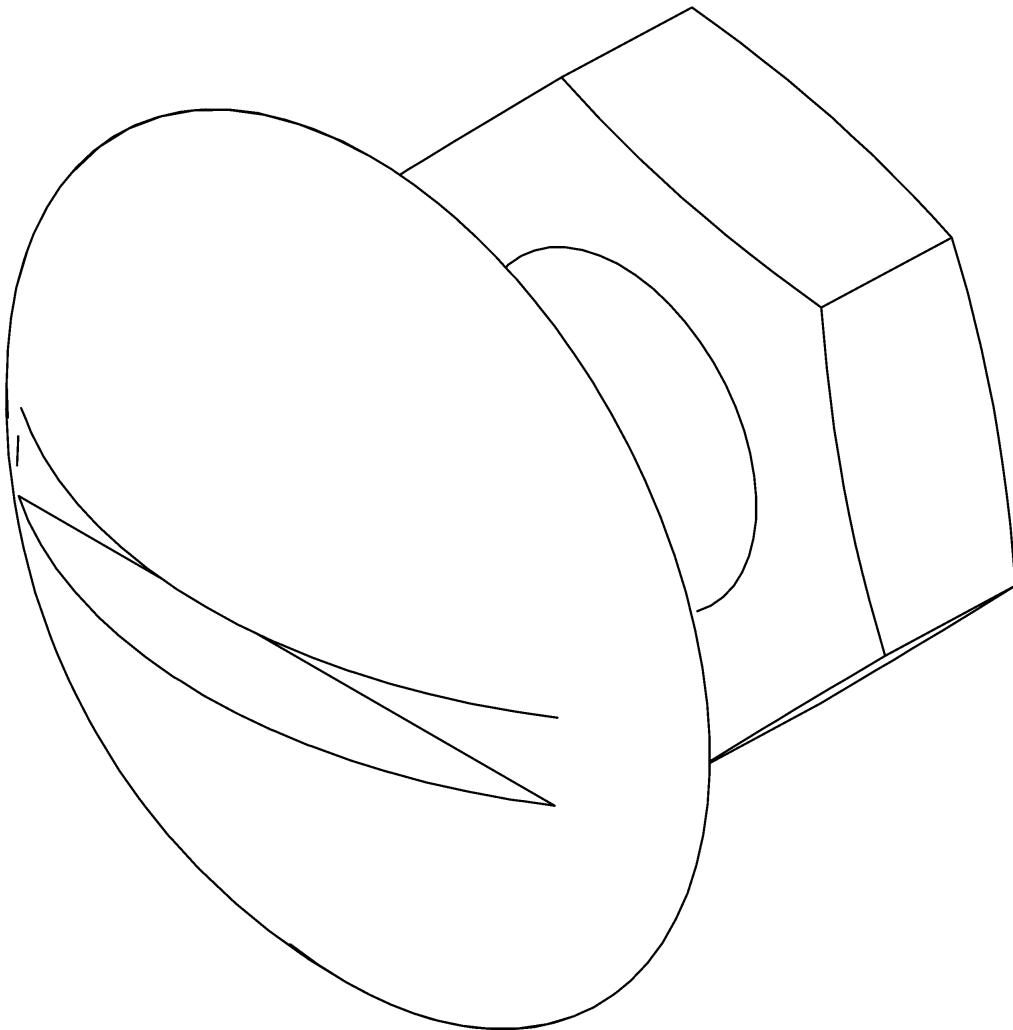
Machine housing

Material No.	Qty	Material description	available for order	Wear part	Recomm. sp. part	Metr. relevance
38079007000	1	Screw Plug Light Barrier cpl				

Machine housing



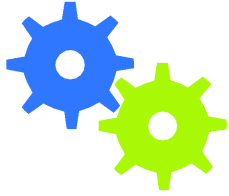
38079008001



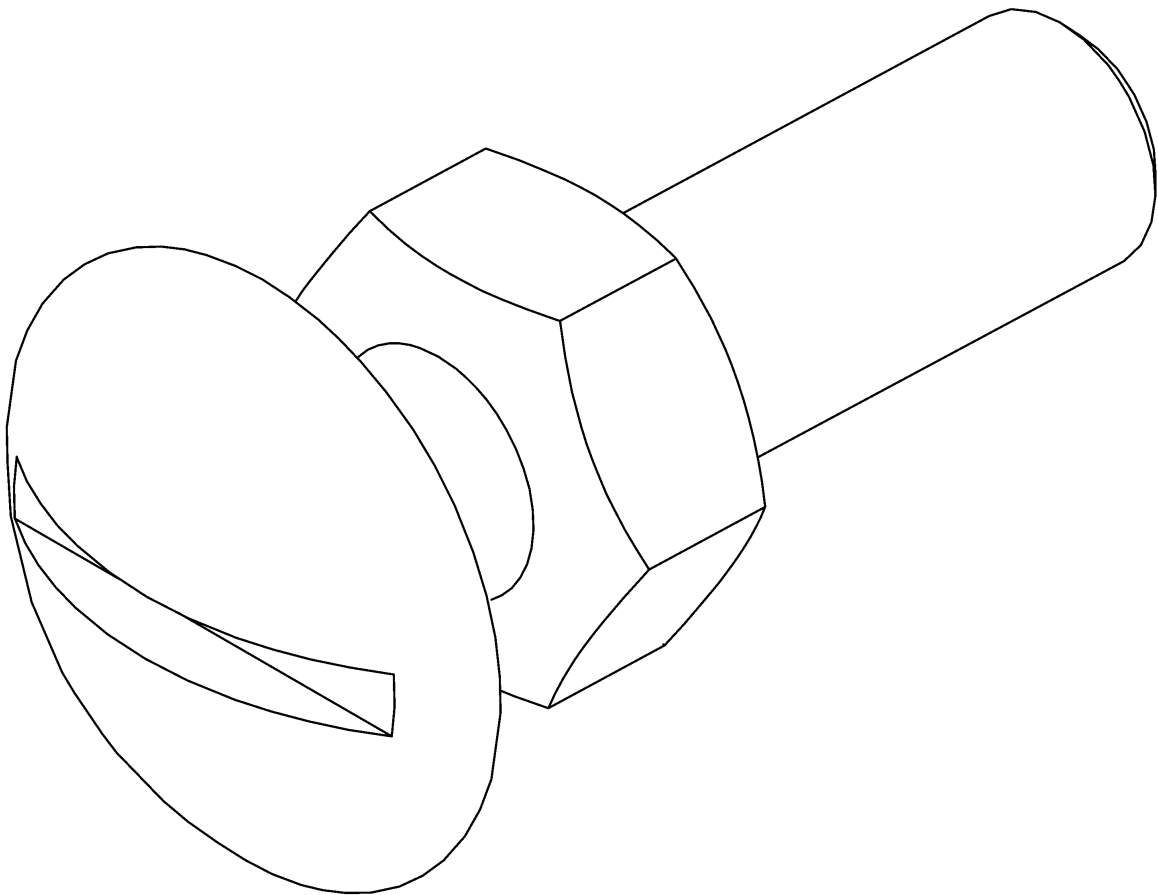
Machine housing

Material No.	Qty	Material description	available for order	Wear part	Recomm. sp. part	Metr. relevance
38079008001	1	Screw Plug Machine Housing cpl				

Machine housing



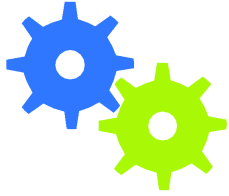
38079016000



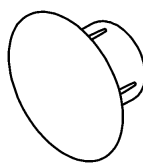
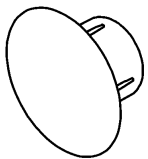
Machine housing

Material No.	Qty	Material description	available for order	Wear part	Recomm. sp. part	Metr. relevance
38079016000	1	Screw Plug Drive Housing cpl				

Machine housing



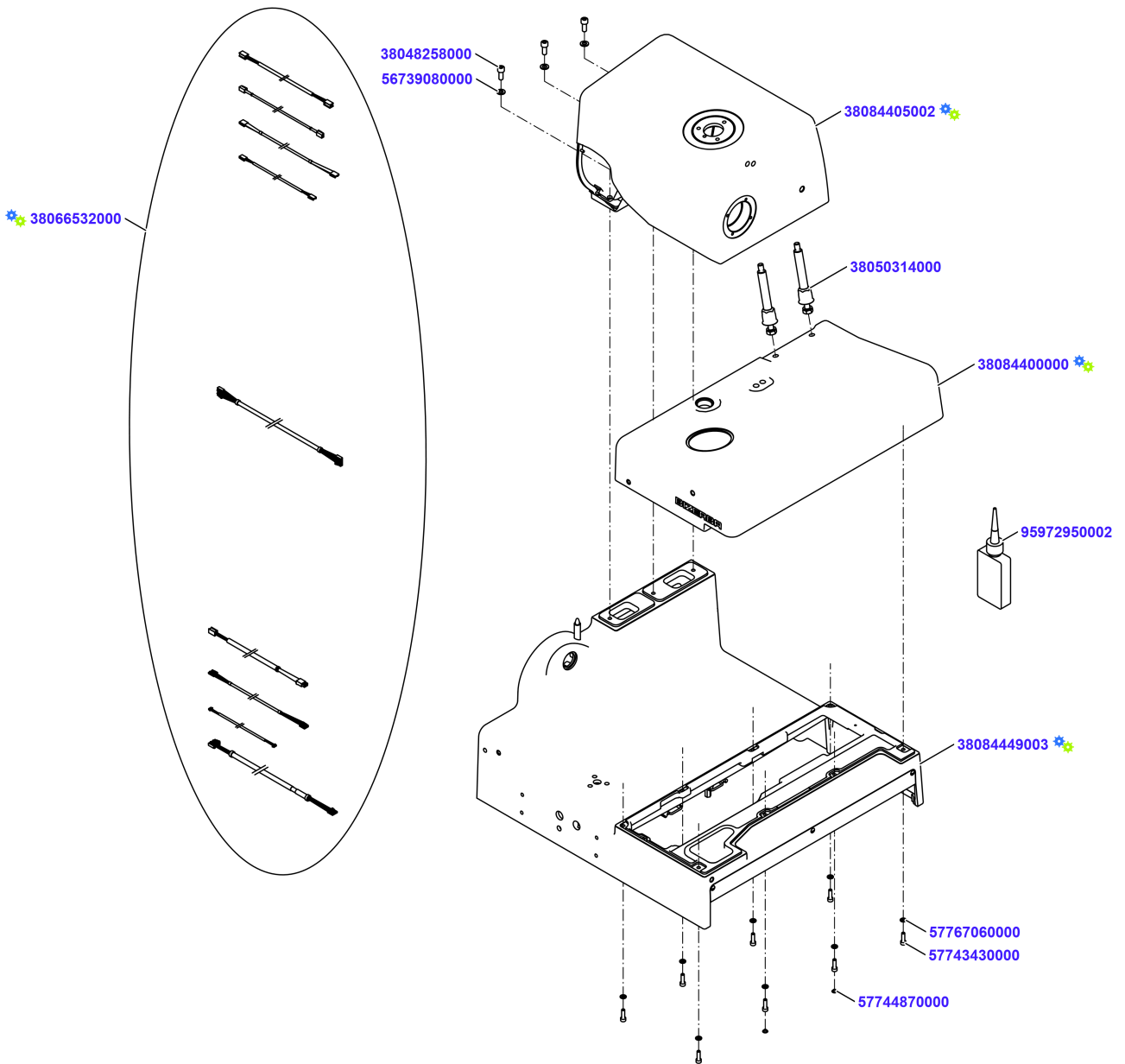
38086177000



Machine housing

Material No.	Qty	Material description	available for order	Wear part	Recomm. sp. part	Metr. relevance
38086177000	1	Covering Cap Set Carry Handles				

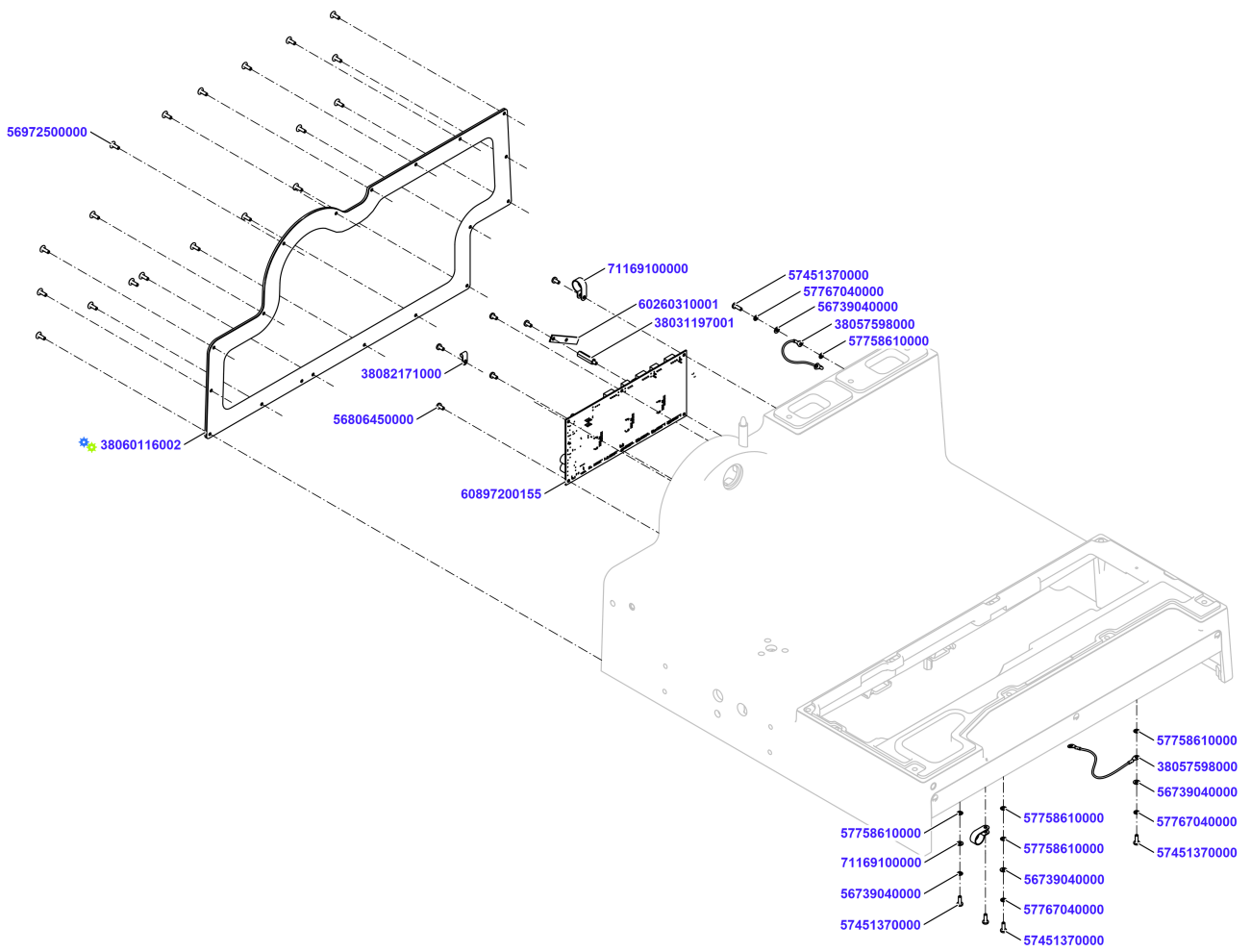
Housing Te W Dt



Housing Te W Dt

Material No.	Qty	Material description	available for order	Wear part	Recomm. sp. part	Metr. relevance
38084449003	1	Drive Housing Te W Dt cpl				
38084400000	1	Machine Housing cpl.				
57743430000	8	Cylinder screw DIN 912-M6x20-A2-70	✓			
57767060000	8	Spring lock washer DIN128-A6-FSt	✓			
57744870000	2	Protective plug 10x5,2x3,1-PE	✓		✓	
38050314000	1	Support motortower cpl	✓			
38084405002	1	Motor Tower Dt cpl				
38048258000	3	Cylinder screw ISO14579 M8x20-A2-70-T45	✓			
56739080000	3	Washer DIN125-A-8-A2	✓			
95972950002	0,001	Loctite 243 50 ml 95972950002	✓			
38066532000	1	Cable set standard				

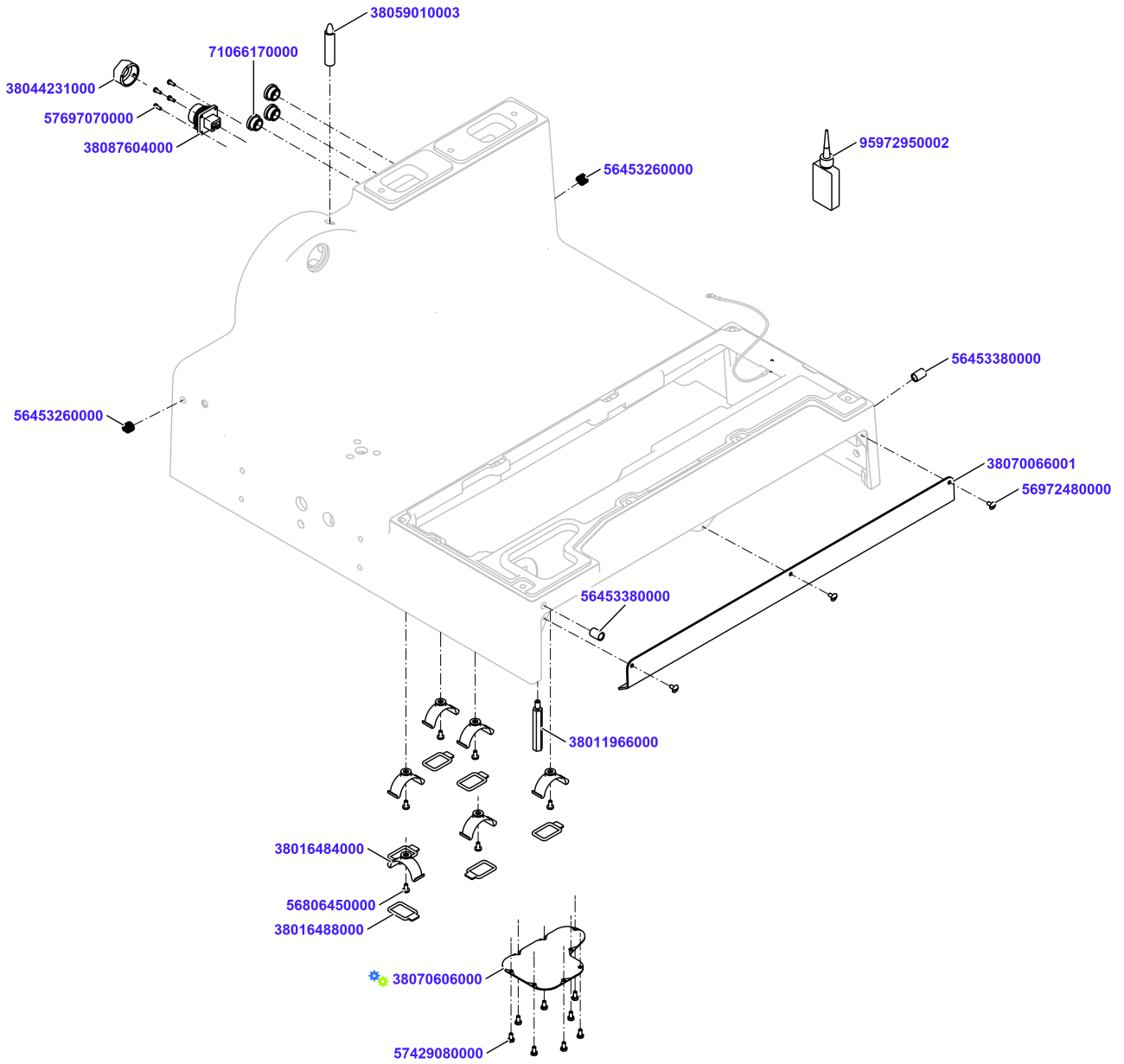
Drive Housing Te W Dt cpl




















Drive Housing Te W Dt cpl

Material No.	Qty	Material description	available for order	Wear part	Recomm. sp. part	Metr. relevance
56806450000	6	Oval-Head Screw ISO 14583-M4x8-T20-A2-70	✓			
60897200155	1	PCBAP MC 3ph 6ch lv bus	✓			
38082171000	1	Fastening Clip 3mm closed metal	✓			
71169100000	1	Cable Clamp nylon 14mm NK-10N	✓			
38031197001	1	Thread Bolt M4	✓			
60260310001	1	strap	✓			
56806450000	6	Oval-Head Screw ISO 14583-M4x8-T20-A2-70	✓			
38057598000	1	Ka Li GN/YE AWG18 0,22m	✓			
57451370000	1	Oval-head screw ISO14583 M4x12-A2-70-T20	✓			
57767040000	1	Spring lock washer DIN128-A4-FSt	✓			
56739040000	1	Washer DIN 125-A 4.3-A2-70 56739040000	✓			
57758610000	1	Toothed washer DIN6797-A 4,3-Fst	✓			
38057598000	1	Ka Li GN/YE AWG18 0,22m	✓			
57451370000	1	Oval-head screw ISO14583 M4x12-A2-70-T20	✓			
57767040000	1	Spring lock washer DIN128-A4-FSt	✓			
56739040000	1	Washer DIN 125-A 4.3-A2-70 56739040000	✓			
57758610000	1	Toothed washer DIN6797-A 4,3-Fst	✓			
57451370000	1	Oval-head screw ISO14583 M4x12-A2-70-T20	✓			
71169100000	1	Cable Clamp nylon 14mm NK-10N	✓			
57451370000	2	Oval-head screw ISO14583 M4x12-A2-70-T20	✓			
57767040000	2	Spring lock washer DIN128-A4-FSt	✓			
57758610000	3	Toothed washer DIN6797-A 4,3-Fst	✓			
56739040000	1	Washer DIN 125-A 4.3-A2-70 56739040000	✓			
38060116002	1	Cover Drivehousing prem	✓			
56972500000	19	Mushroom head screw M4x12-A2-70	✓			
56739040000	1	Washer DIN 125-A 4.3-A2-70 56739040000	✓			

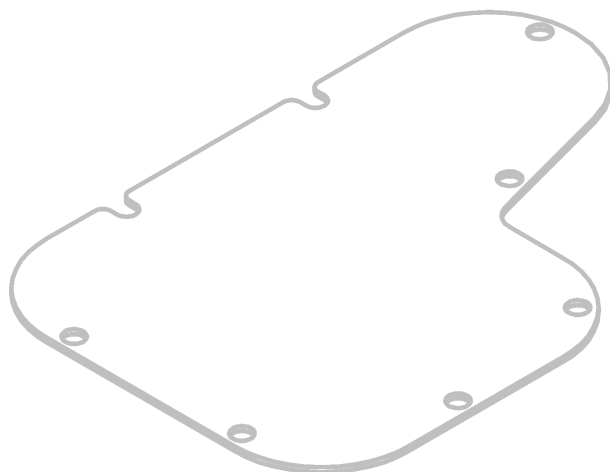
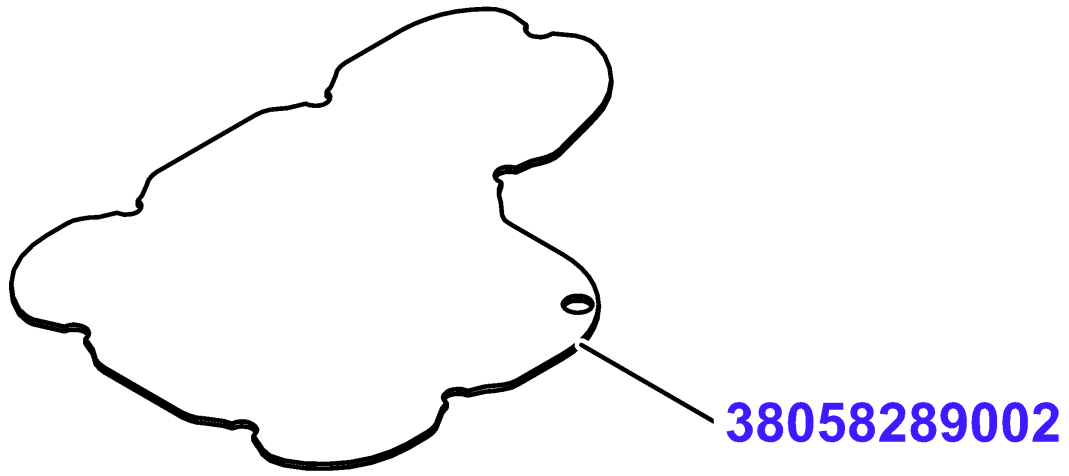
Drive Housing Te W Dt cpl



Drive Housing Te W Dt cpl



Material No.	Qty	Material description	available for order	Wear part	Recomm. sp. part	Metr. relevance
56453380000	2	Threaded insert M10x15				
56453260000	2	Threaded insert M10x10				
38059010003	1	Catching Bolt				
95972950002	1	Loctite 243 50 ml 95972950002				
38016484000	6	Cradle Clip C3				
56806450000	6	Oval-Head Screw ISO 14583-M4x8-T20-A2-70				
38016488000	6	Retaining Ring R3				
56806450000	6	Oval-Head Screw ISO 14583-M4x8-T20-A2-70				
38011966000	1	Distance bolt 10x60 M6-M6 In-Out				
38070066001	1	Cover				
56972480000	3	Mushroom head screw M4x8-A2-70 Tuflok				
38070606000	1	Cover prem				
57429080000	8	Hexagon Screw DIN 933 M4x8-A2-70				
38044231000	1	Protection Cap Flangehousing				
38087604000	1	Connector Metal Bayonett RJ45 Ethernet				
57697070000	4	Cylinder screw DIN84 M3x8-A2-70				
71066170000	3	Blind plug BLK- M16				

Cover prem

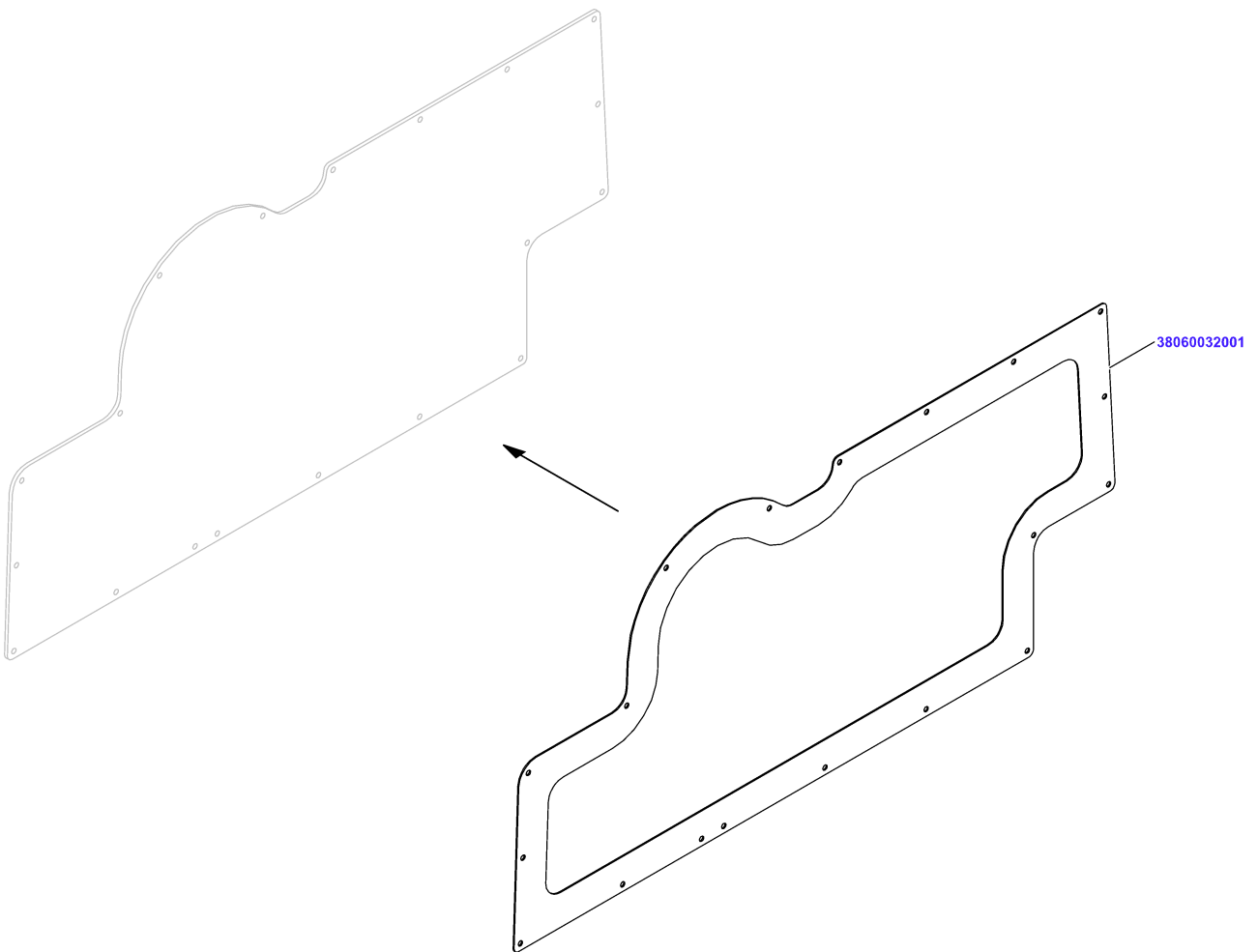


Cover prem

Material No.	Qty	Material description
38058289002	1	Sealing

	
---	---

Cover Drivehousing prem



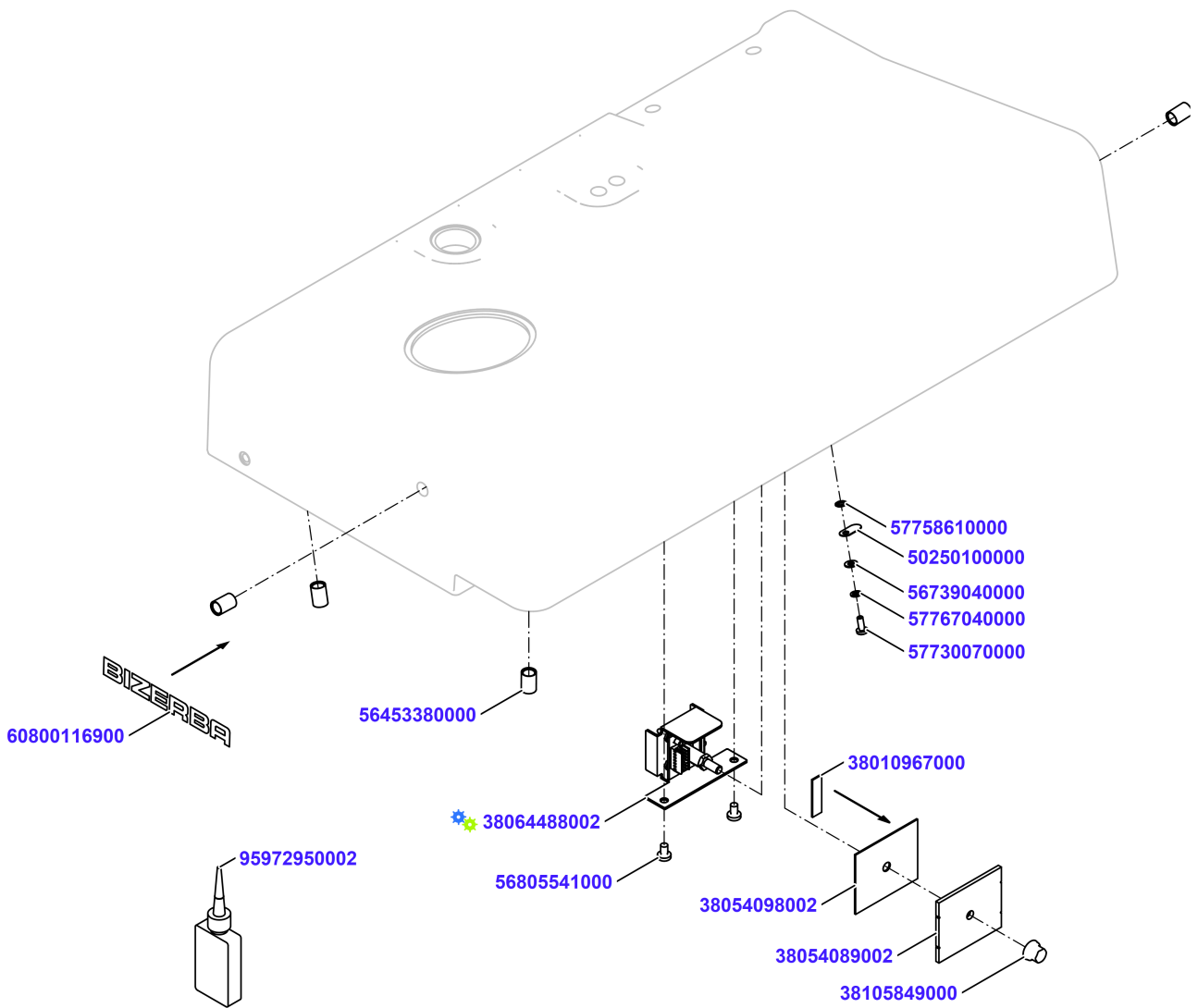
Cover Drivehousing prem

Material No.	Qty	Material description
--------------	-----	----------------------

38060032001	1	Sealing
-------------	---	---------

available for order
Wear part
Recomm. sp. part
Metr. relevance

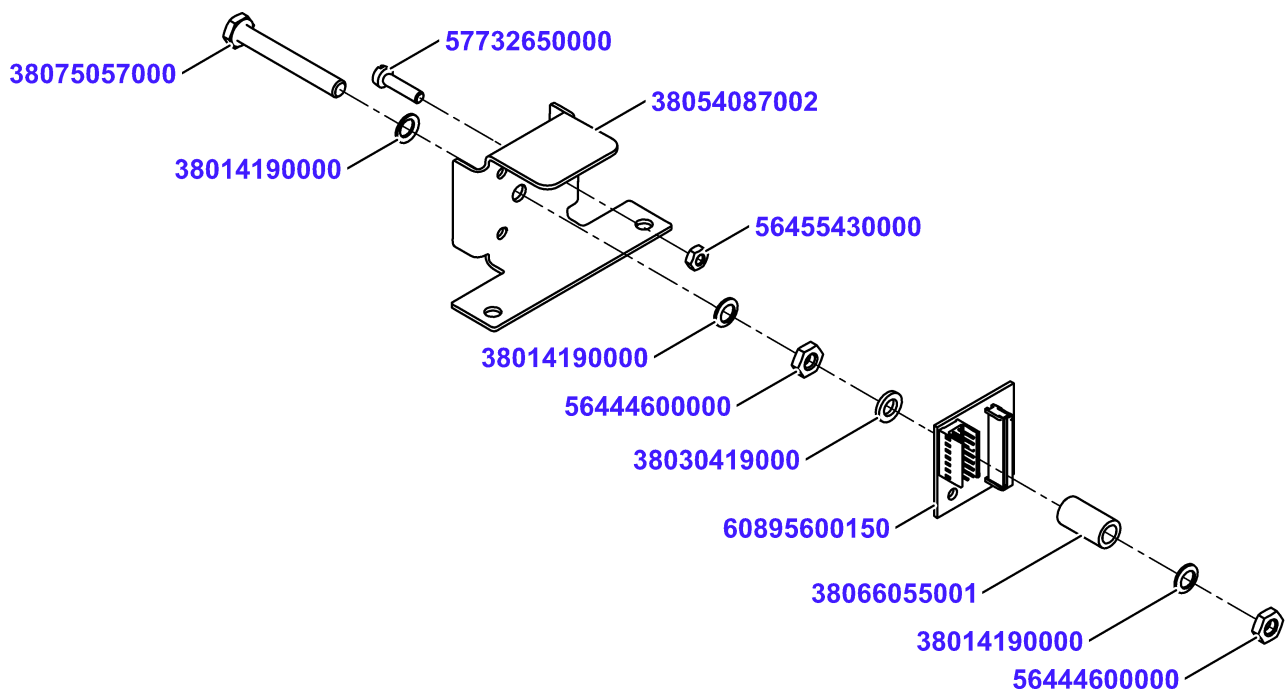
Machine Housing cpl.














Machine Housing cpl.

Material No.	Qty	Material description	available for order	Wear part	Recomm. sp. part	Metr. relevance
56453380000	4	Threaded insert M10x15	✓			
38064488002	1	Connector ribbon cable				
56805541000	2	Oval-Head Screw ISO14583 M5x8-A2-70-T25	✓			
38010967000	1	Sealing	✓		✓	
38054098002	1	Seal	✓		✓	
38054089002	1	cover inside	✓			
38105849000	1	Cap nut-M6 -1.4404	✓			
95972950002	0,001	Loctite 243 50 ml 95972950002	✓			
57758610000	1	Toothed washer DIN6797-A 4,3-Fst	✓			
50250100000	1	Grounding Plate 9x17/4.3 D	✓			
56739040000	1	Washer DIN 125-A 4.3-A2-70 56739040000	✓			
57767040000	1	Spring lock washer DIN128-A4-FSt	✓			
57730070000	1	Oval-Head Cap Screw ISO14583-M4x10T20-A2	✓			
60800116900	1	Bizerba character font	✓			

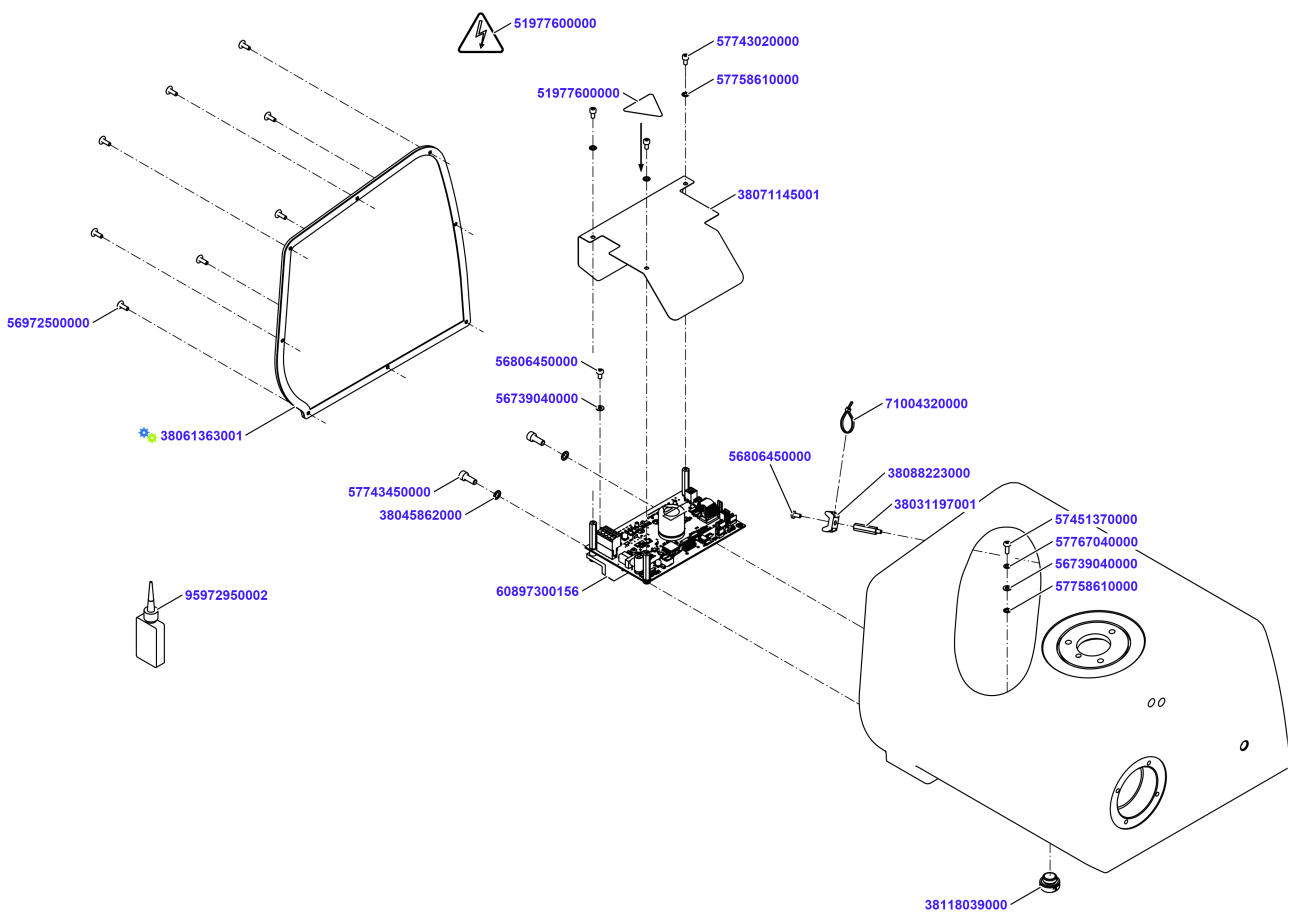
Connector ribbon cable
























Connector ribbon cable

Material No.	Qty	Material description	available for order	Wear part	Recomm. sp. part	Metr. relevance
38054087002	1	Mounting Bracket				
38075057000	1	Hexagon Screw DIN 933 M6x45-A2-70				
38014190000	2	Retaining washer S6-A2				
56444600000	1	Hexagon Nut DIN 439-BM6-A2-70				
38030419000	1	thrust washer				
60895600150	1	PCBA Intermediate Board 2				
38066055001	1	tube				
38014190000	1	Retaining washer S6-A2				
56444600000	1	Hexagon Nut DIN 439-BM6-A2-70				
57732650000	1	Cylinder screw DIN84 M4x16				
56455430000	1	Hexagon nut DIN934-M4-PA 66				

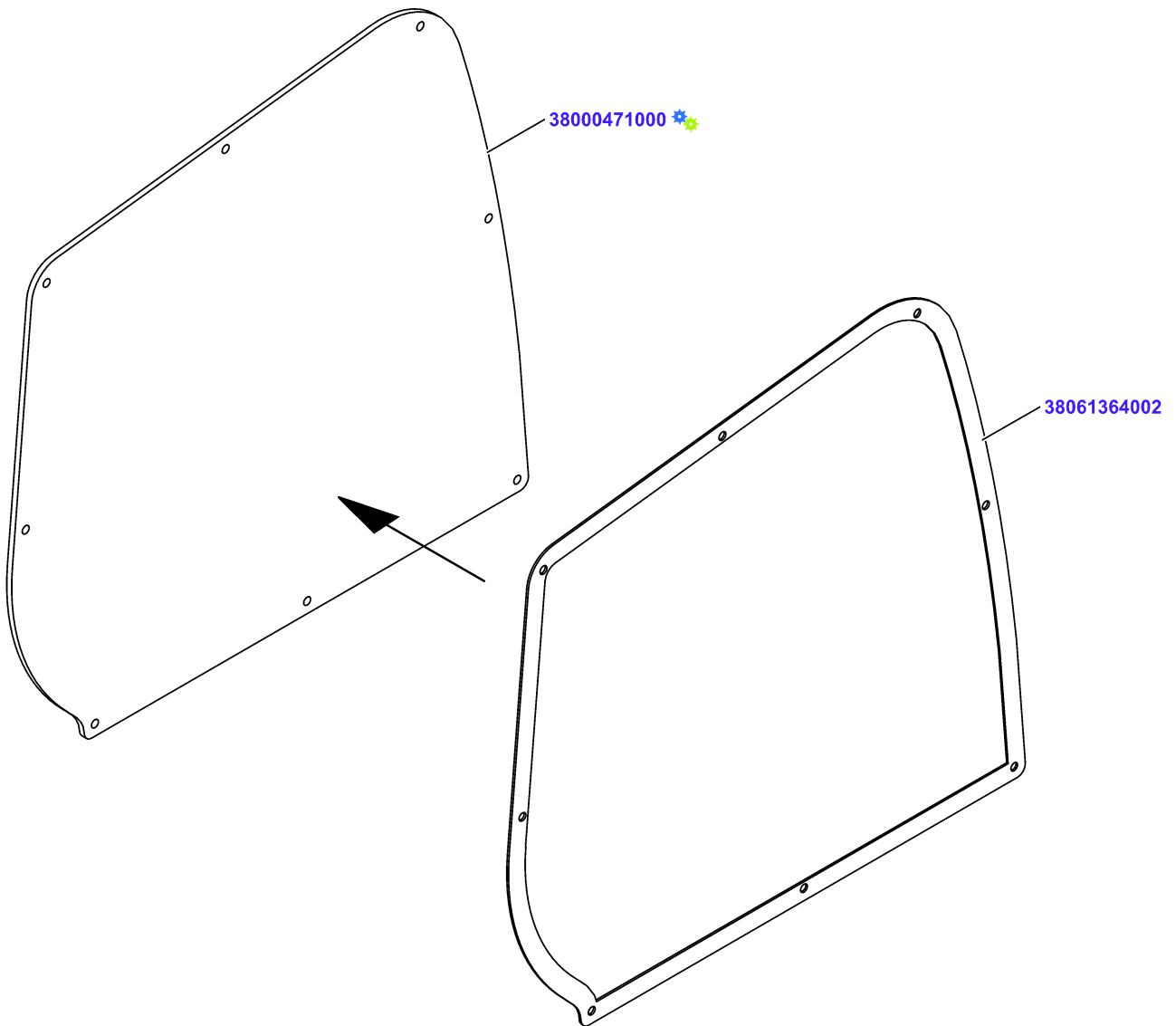
Motor Tower Dt cpl



Motor Tower Dt cpl

Material No.	Qty	Material description	available for order	Wear part	Recomm. sp. part	Metr. relevance
60897300156	1	PCBAP MC 3ph 2ch hv bus				
57743450000	2	Cylinder screw DIN912 M6x16-A2-70				
38045862000	2	Toothed Washer DIN 6797-A 6.4-A2				
56806450000	1	Oval-Head Screw ISO 14583-M4x8-T20-A2-70				
56739040000	1	Washer DIN 125-A 4.3-A2-70 56739040000				
38071145001	1	Protection Plate				
57743020000	3	Socket Head Screw DIN 912-M4x8-A2-70				
57758610000	3	Toothed washer DIN6797-A 4,3-Fst				
51977600000	1	Warning plate with danger arrow 50				
38031197001	1	Thread Bolt M4				
38088223000	1	Fastening Socket 9mm 38088223000				
56806450000	1	Oval-Head Screw ISO 14583-M4x8-T20-A2-70				
71004320000	1	Cable Tie T40R 71004320000				
38061363001	1	Cover Motor Tower prem				
56972500000	8	Mushroom head screw M4x12-A2-70				
56739040000	1	Washer DIN 125-A 4.3-A2-70 56739040000				
57451370000	1	Oval-head screw ISO14583 M4x12-A2-70-T20				
57767040000	1	Spring lock washer DIN128-A4-FSt				
57758610000	1	Toothed washer DIN6797-A 4,3-Fst				
38118039000	1	Dummy plug hygienic BL-M M16x1,5 V4A				
95972950002	0,001	Loctite 243 50 ml 95972950002				

Cover Motor Tower prem

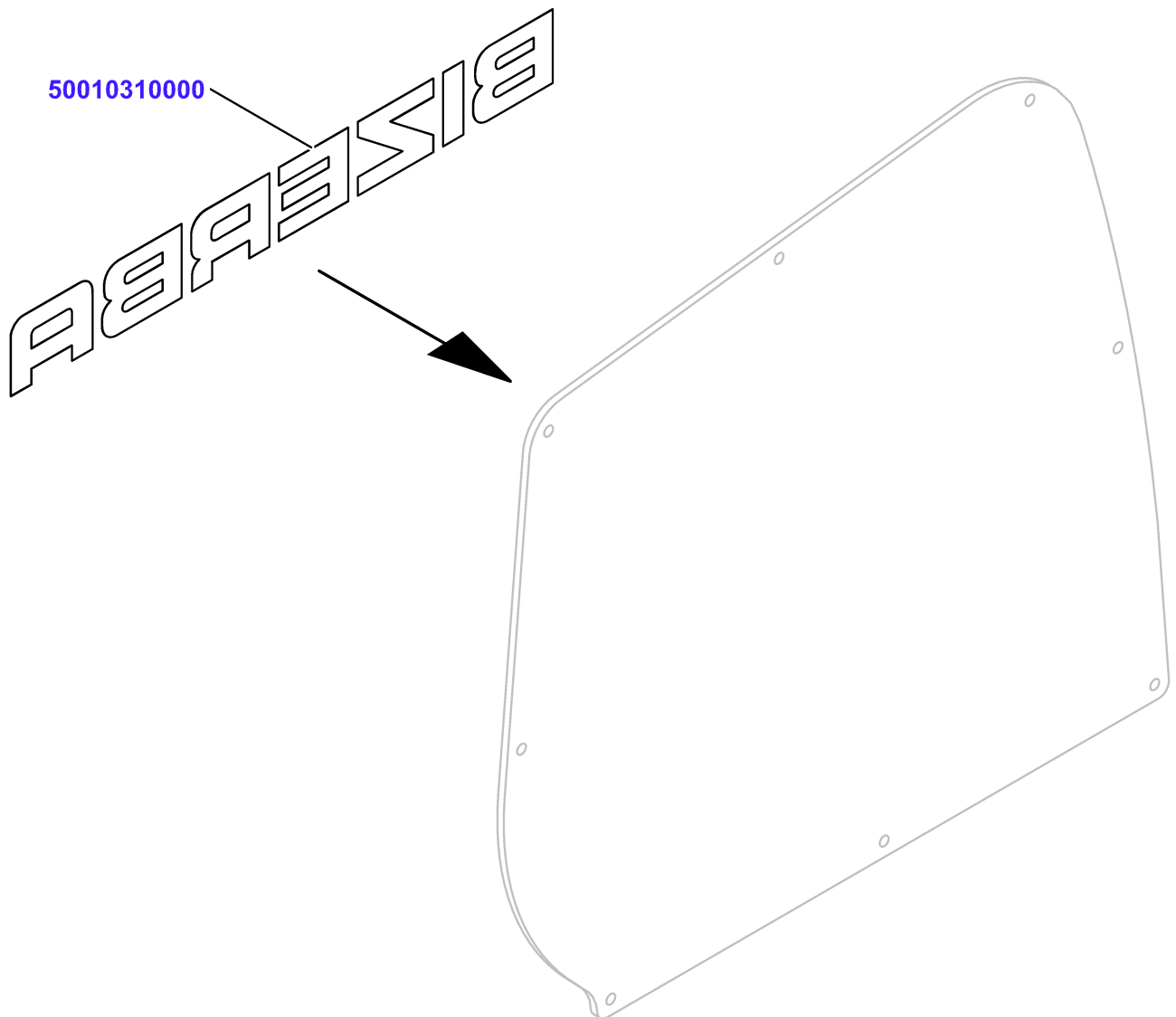


Cover Motor Tower prem

Material No.	Qty	Material description
38061364002	1	Sealing
38000471000	1	Cover Motor Tower


available for order	Wear part	Recomm. sp. part	Metr. relevance
✓		✓	

Cover Motor Tower

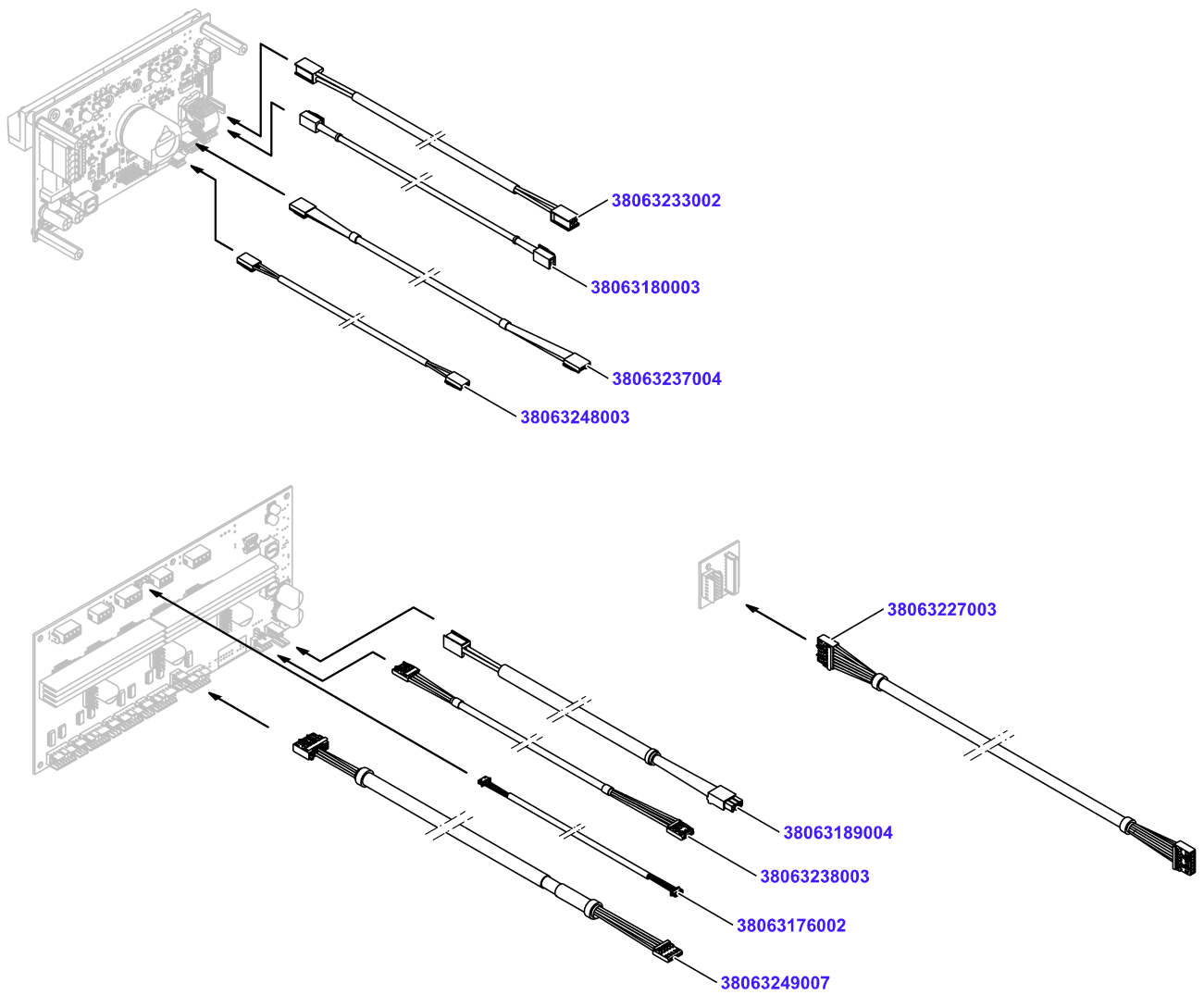


Cover Motor Tower










Material No.	Qty	Material description
50010310000	1	Bizerba Lettering L255 H30

	available for order
	Wear part
	Recomm. sp. part
	Metr. relevance

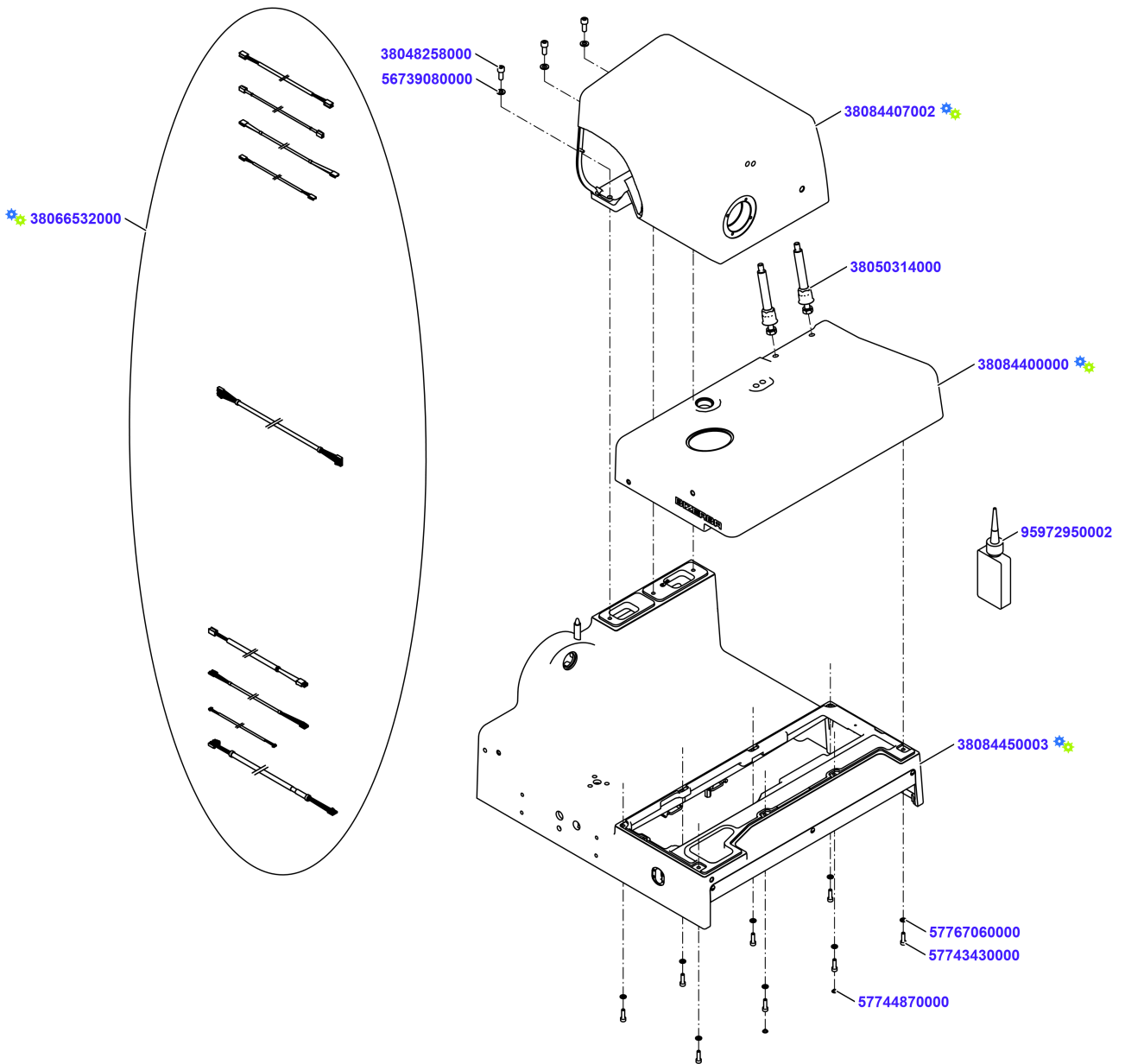
Cable set standard



Cable set standard

Material No.	Qty	Material description	available for order	Wear part	Recomm. sp. part	Metr. relevance
38063180003	1	Ka Rd 4x0,14 1,05m				
38063248003	1	Ka Rd 2x0,34 1,05m				
38063237004	1	Ka Rd 2x2x24AWG 0,87m				
38063233002	1	Ka Rd 2x0,75 0,77m				
38063238003	1	Ka Rd 2x2x24AWG 0,29m				
38063176002	1	Ka Rd 4x0,14 0,66m				
38063189004	1	Ca Rd 2x0,75 0,29m				
38063249007	1	Ka Rd 2x2xAWG26 0,38m				
38063227003	1	Ka Rd 8x2x0,14 0,50m				

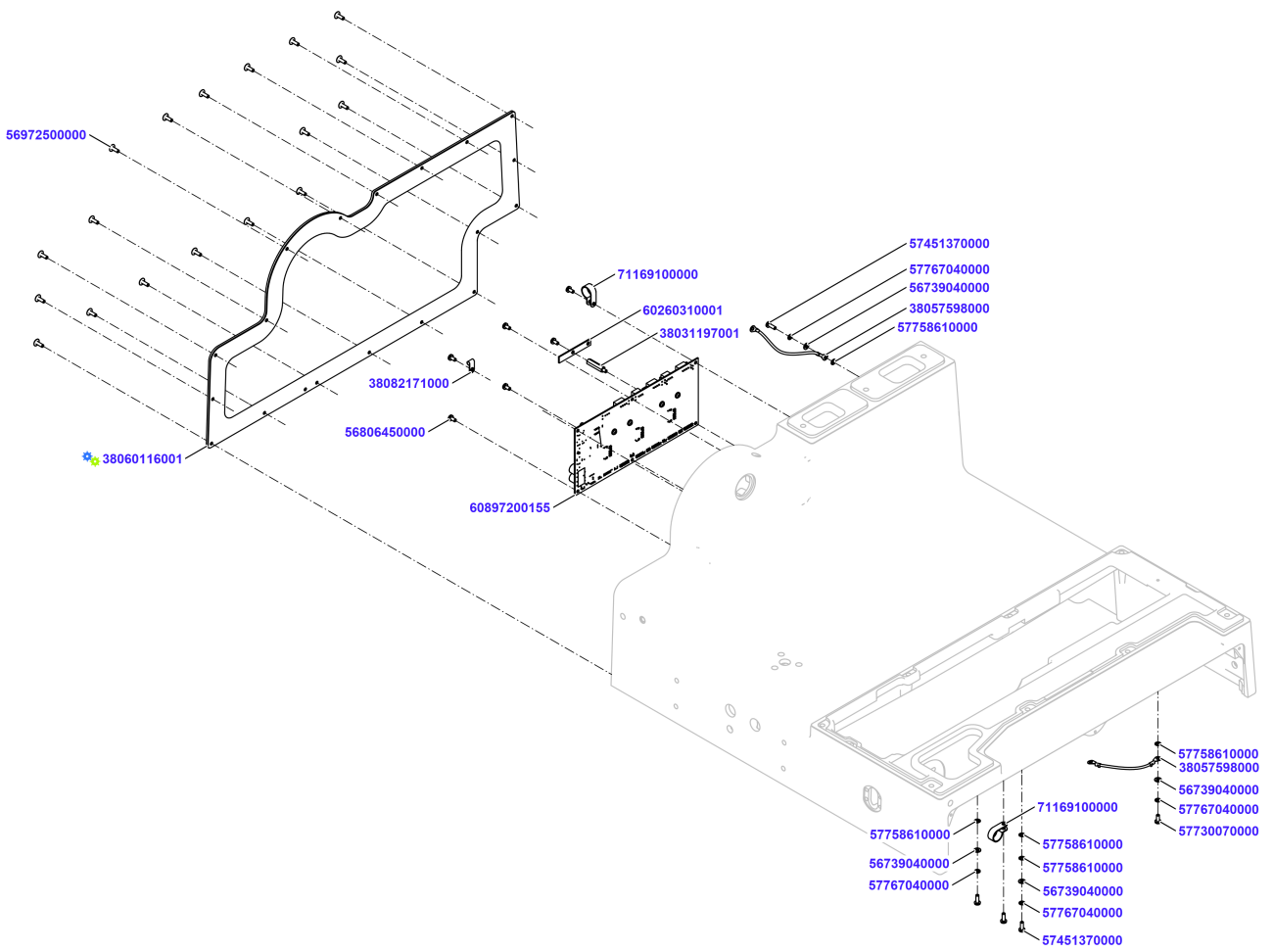
Housing Te W Db



Housing Te W Db

Material No.	Qty	Material description	available for order	Wear part	Recomm. sp. part	Metr. relevance
38084450003	1	Drive Housing Te W Db cpl				
38084400000	1	Machine Housing cpl.				
57743430000	8	Cylinder screw DIN 912-M6x20-A2-70	✓			
57767060000	8	Spring lock washer DIN128-A6-FSt	✓			
57744870000	2	Protective plug 10x5,2x3,1-PE	✓		✓	
38050314000	1	Support motortower cpl	✓			
38084407002	1	Motor Tower Db cpl	✓			
38048258000	3	Cylinder screw ISO14579 M8x20-A2-70-T45	✓			
56739080000	3	Washer DIN125-A-8-A2	✓			
95972950002	0,001	Loctite 243 50 ml 95972950002	✓			
38066532000	1	Cable set standard				

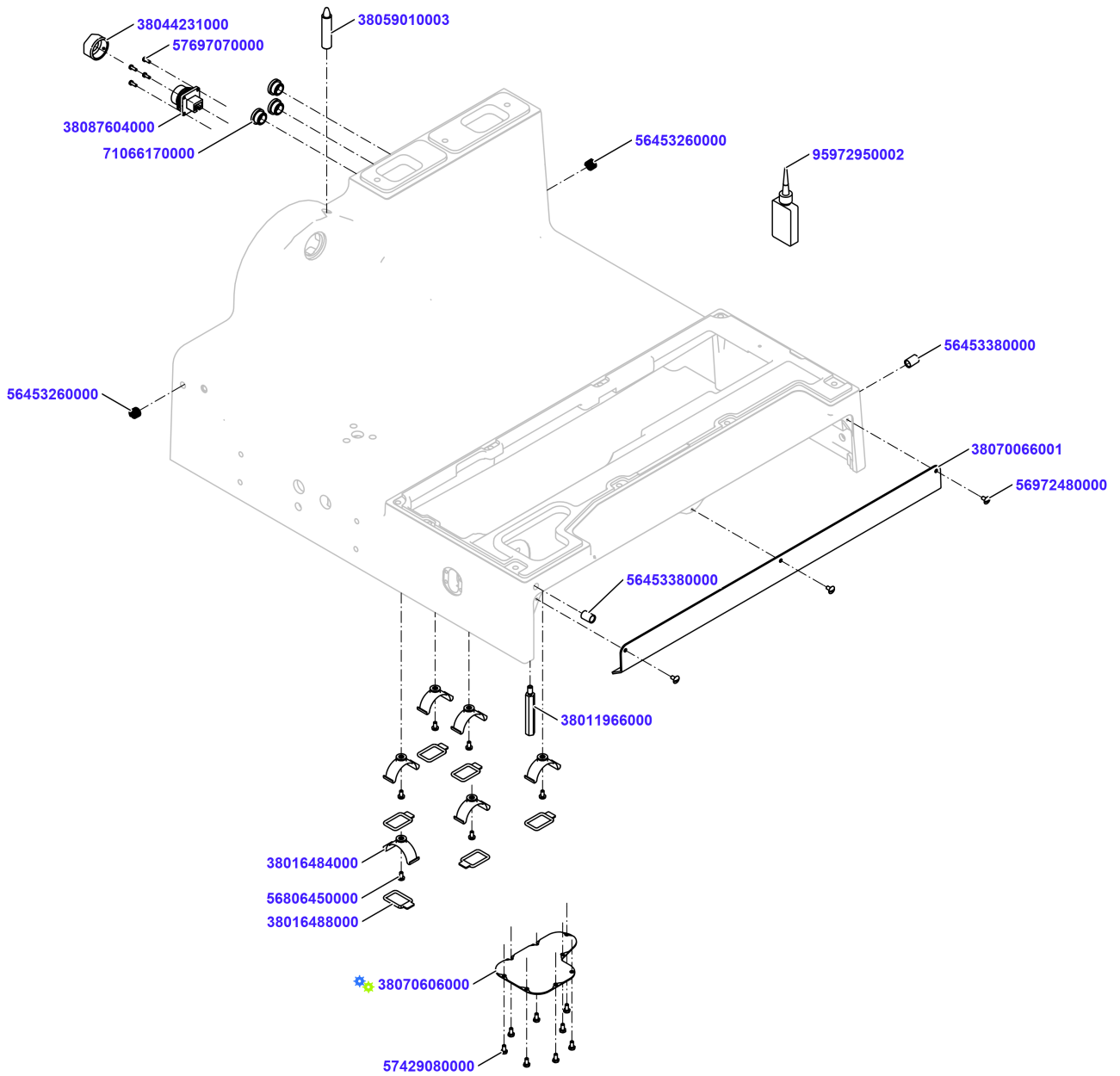
Drive Housing Te W Db cpl




















Drive Housing Te W Db cpl

Material No.	Qty	Material description	available for order	Wear part	Recomm. sp. part	Metr. relevance
56806450000	6	Oval-Head Screw ISO 14583-M4x8-T20-A2-70	✓			
60897200155	1	PCBAP MC 3ph 6ch lv bus	✓			
38082171000	1	Fastening Clip 3mm closed metal	✓			
71169100000	1	Cable Clamp nylon 14mm NK-10N	✓			
38031197001	1	Thread Bolt M4	✓			
60260310001	1	strap	✓			
56806450000	6	Oval-Head Screw ISO 14583-M4x8-T20-A2-70	✓			
38057598000	1	Ka Li GN/YE AWG18 0,22m	✓			
57451370000	1	Oval-head screw ISO14583 M4x12-A2-70-T20	✓			
57767040000	1	Spring lock washer DIN128-A4-FSt	✓			
56739040000	1	Washer DIN 125-A 4.3-A2-70 56739040000	✓			
57758610000	1	Toothed washer DIN6797-A 4,3-Fst	✓			
38057598000	1	Ka Li GN/YE AWG18 0,22m	✓			
57451370000	1	Oval-head screw ISO14583 M4x12-A2-70-T20	✓			
57767040000	1	Spring lock washer DIN128-A4-FSt	✓			
56739040000	1	Washer DIN 125-A 4.3-A2-70 56739040000	✓			
57758610000	1	Toothed washer DIN6797-A 4,3-Fst	✓			
57451370000	1	Oval-head screw ISO14583 M4x12-A2-70-T20	✓			
71169100000	1	Cable Clamp nylon 14mm NK-10N	✓			
57451370000	2	Oval-head screw ISO14583 M4x12-A2-70-T20	✓			
57767040000	2	Spring lock washer DIN128-A4-FSt	✓			
57758610000	3	Toothed washer DIN6797-A 4,3-Fst	✓			
56739040000	1	Washer DIN 125-A 4.3-A2-70 56739040000	✓			
56972500000	19	Mushroom head screw M4x12-A2-70	✓			
56739040000	1	Washer DIN 125-A 4.3-A2-70 56739040000	✓			

Drive Housing Te W Db cpl




Drive Housing Te W Db cpl

Material No.	Qty	Material description	available for order	Wear part	Recomm. sp. part	Metr. relevance
56453380000	2	Threaded insert M10x15				
56453260000	2	Threaded insert M10x10				
38059010003	1	Catching Bolt				
95972950002	1	Loctite 243 50 ml 95972950002				
38016484000	6	Cradle Clip C3				
56806450000	6	Oval-Head Screw ISO 14583-M4x8-T20-A2-70				
38016488000	6	Retaining Ring R3				
56806450000	6	Oval-Head Screw ISO 14583-M4x8-T20-A2-70				
38011966000	1	Distance bolt 10x60 M6-M6 In-Out				
38070066001	1	Cover				
56972480000	3	Mushroom head screw M4x8-A2-70 Tuflok				
38070606000	1	Cover prem				
57429080000	8	Hexagon Screw DIN 933 M4x8-A2-70				
38044231000	1	Protection Cap Flangehousing				
38087604000	1	Connector Metal Bayonett RJ45 Ethernet				
57697070000	4	Cylinder screw DIN84 M3x8-A2-70				
71066170000	3	Blind plug BLK- M16				

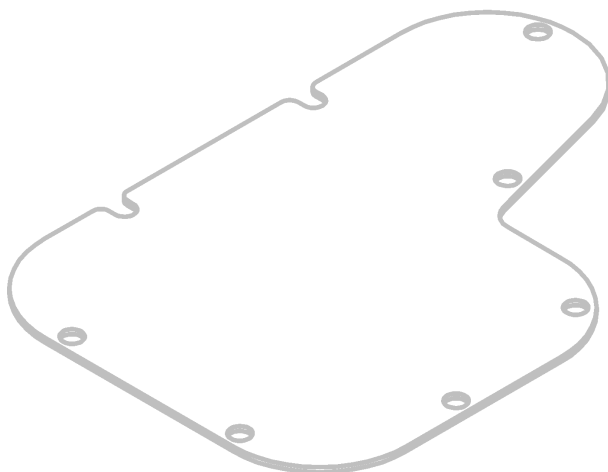
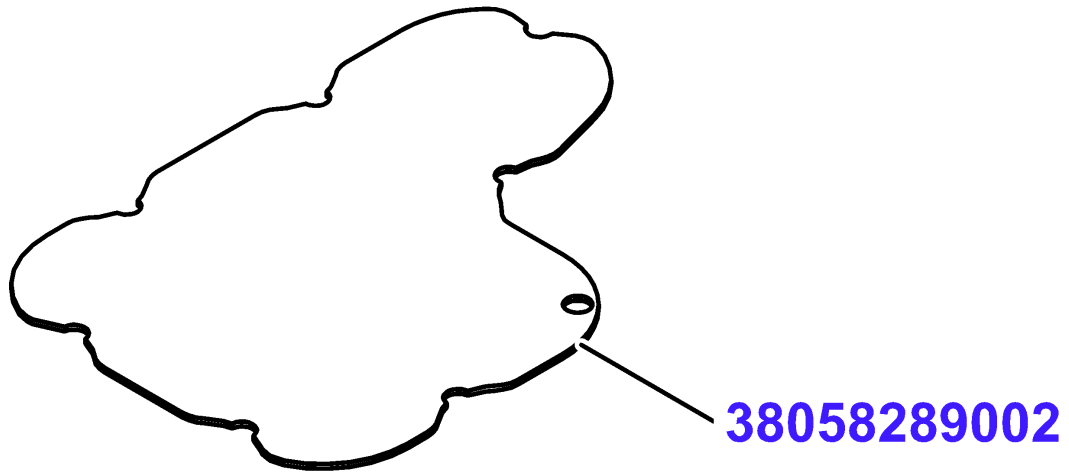
Drive Housing Te W Db cpl

Drive Housing Te W Db cpl

Material No.	Qty	Material description
38060116002	1	Cover Drivehousing prem

	available for order
	Wear part
	Recomm. sp. part
	Metr. relevance

Cover prem



Cover prem

Material No.	Qty	Material description
--------------	-----	----------------------

38058289002	1	Sealing
-----------------------------	---	---------

available for order

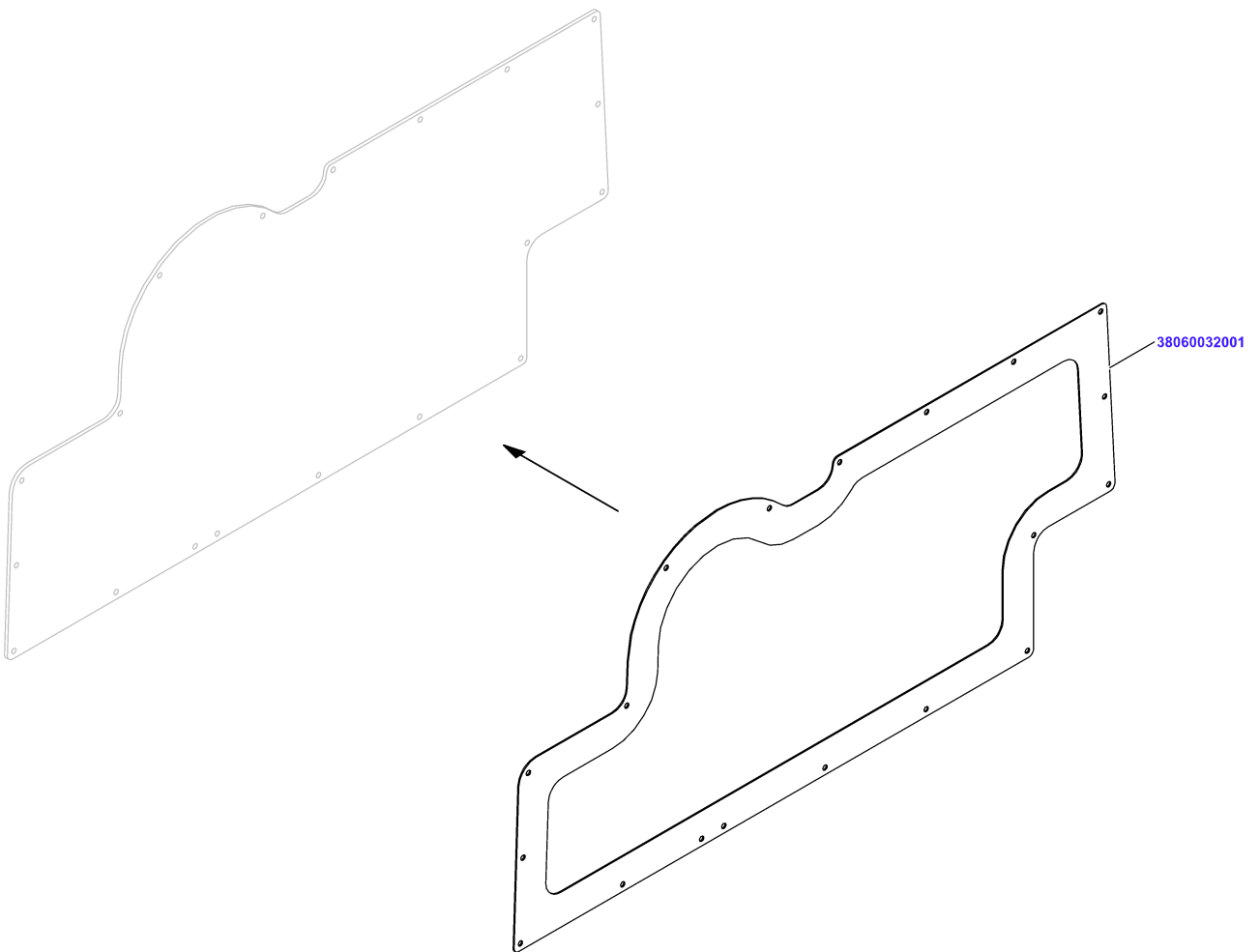
Wear part

Recomm. sp. part

Metr. relevance



Cover Drivehousing prem



Cover Drivehousing prem

Material No.	Qty	Material description
--------------	-----	----------------------

38060032001	1	Sealing
-------------	---	---------

available for order

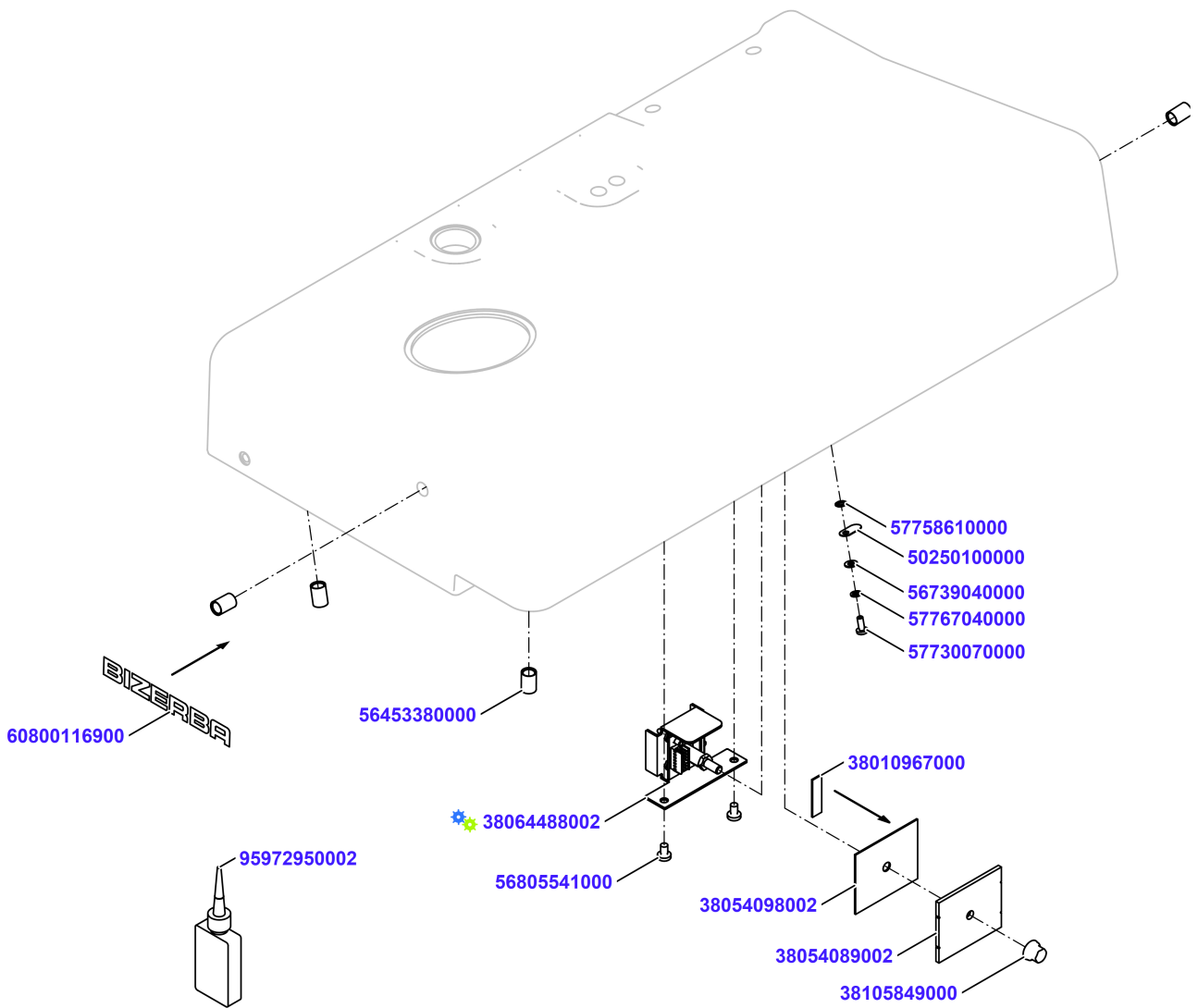
Wear part

Recomm. sp. part

Metr. relevance



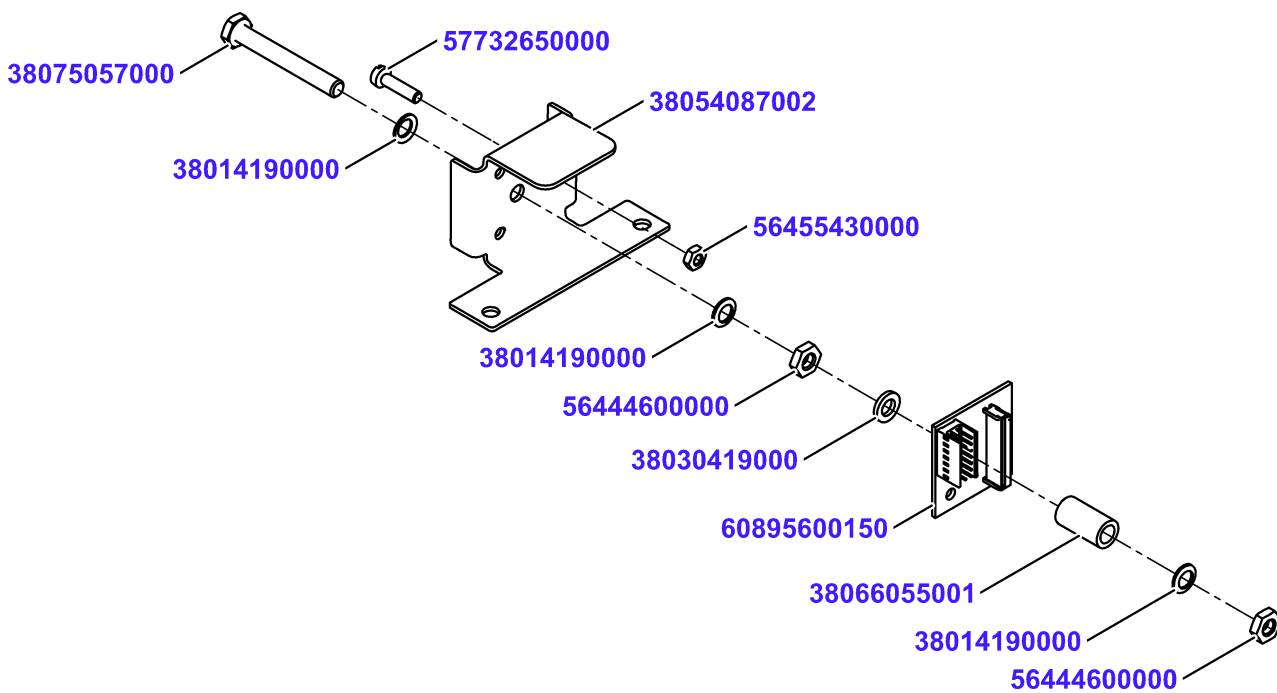
Machine Housing cpl.



Machine Housing cpl.

Material No.	Qty	Material description	available for order	Wear part	Recomm. sp. part	Metr. relevance
56453380000	4	Threaded insert M10x15	✓			
38064488002	1	Connector ribbon cable				
56805541000	2	Oval-Head Screw ISO14583 M5x8-A2-70-T25	✓			
38010967000	1	Sealing	✓		✓	
38054098002	1	Seal	✓		✓	
38054089002	1	cover inside	✓			
38105849000	1	Cap nut-M6 -1.4404	✓			
95972950002	0,001	Loctite 243 50 ml 95972950002	✓			
57758610000	1	Toothed washer DIN6797-A 4,3-Fst	✓			
50250100000	1	Grounding Plate 9x17/4.3 D	✓			
56739040000	1	Washer DIN 125-A 4.3-A2-70 56739040000	✓			
57767040000	1	Spring lock washer DIN128-A4-FSt	✓			
57730070000	1	Oval-Head Cap Screw ISO14583-M4x10T20-A2	✓			
60800116900	1	Bizerba character font	✓			

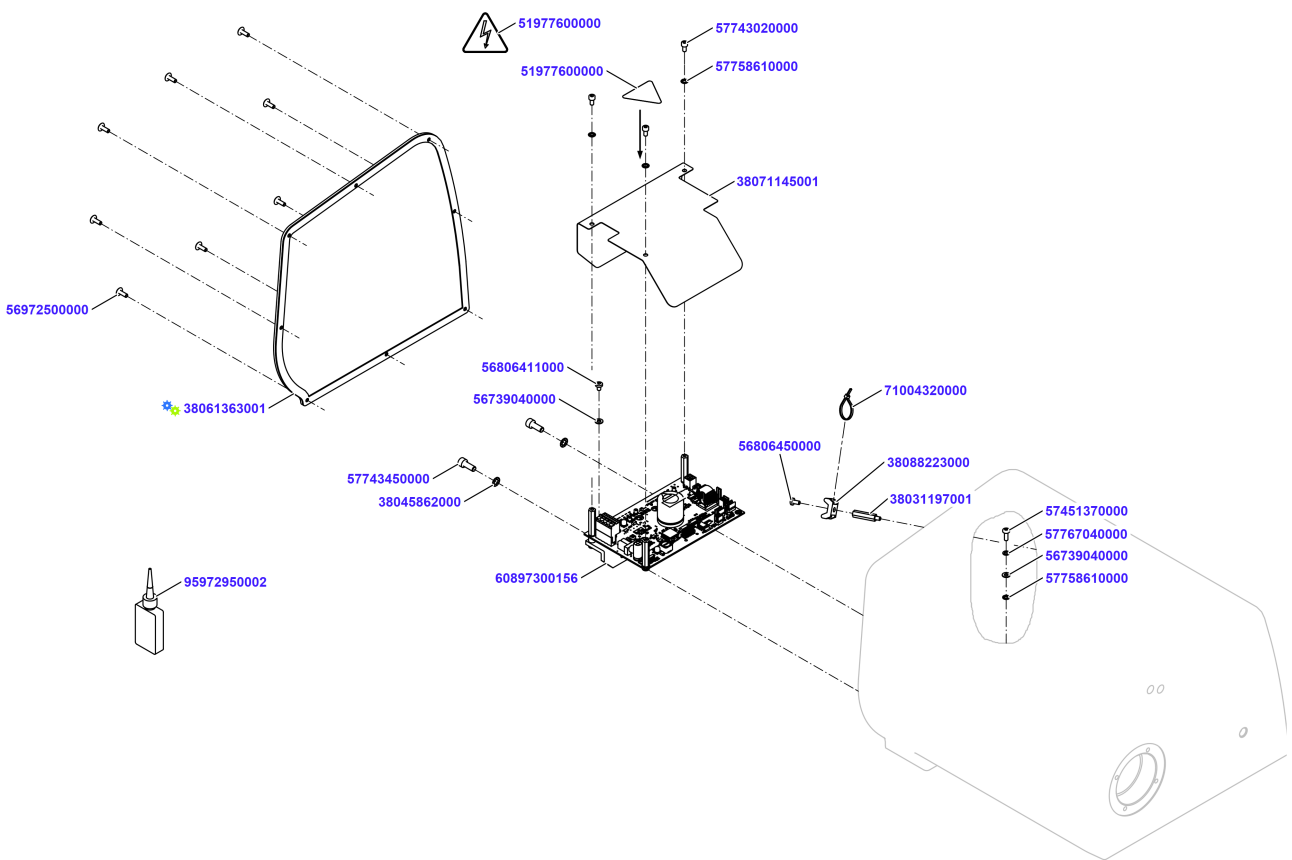
Connector ribbon cable



Connector ribbon cable

Material No.	Qty	Material description	available for order	Wear part	Recomm. sp. part	Metr. relevance
38054087002	1	Mounting Bracket	✓			
38075057000	1	Hexagon Screw DIN 933 M6x45-A2-70	✓			
38014190000	2	Retaining washer S6-A2	✓			
56444600000	1	Hexagon Nut DIN 439-BM6-A2-70	✓			
38030419000	1	thrust washer	✓			
60895600150	1	PCBA Intermediate Board 2	✓			
38066055001	1	tube	✓			
38014190000	1	Retaining washer S6-A2	✓			
56444600000	1	Hexagon Nut DIN 439-BM6-A2-70	✓			
57732650000	1	Cylinder screw DIN84 M4x16	✓			
56455430000	1	Hexagon nut DIN934-M4-PA 66	✓			

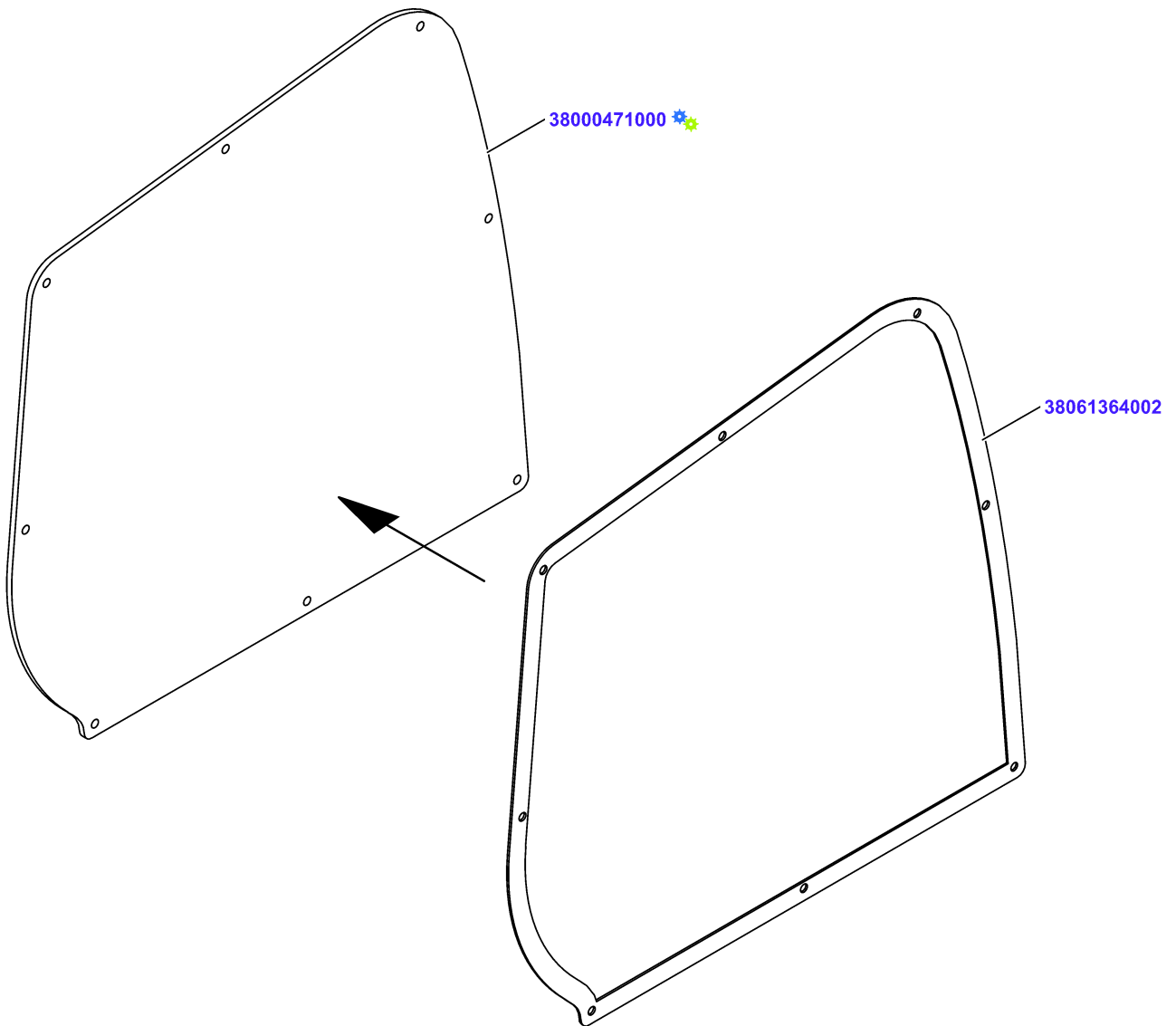
Motor Tower Db cpl



Motor Tower Db cpl



Material No.	Qty	Material description	available for order	Wear part	Recomm. sp. part	Metr. relevance
60897300156	1	PCBAP MC 3ph 2ch hv bus				
57743450000	2	Cylinder screw DIN912 M6x16-A2-70				
38045862000	2	Toothed Washer DIN 6797-A 6.4-A2				
56806450000	1	Oval-Head Screw ISO 14583-M4x8-T20-A2-70				
56739040000	1	Washer DIN 125-A 4.3-A2-70 56739040000				
38071145001	1	Protection Plate				
57743020000	3	Socket Head Screw DIN 912-M4x8-A2-70				
57758610000	3	Toothed washer DIN6797-A 4,3-Fst				
51977600000	1	Warning plate with danger arrow 50				
38031197001	1	Thread Bolt M4				
38088223000	1	Fastening Socket 9mm 38088223000				
56806450000	1	Oval-Head Screw ISO 14583-M4x8-T20-A2-70				
95972950002	0,001	Loctite 243 50 ml 95972950002				
71004320000	1	Cable Tie T40R 71004320000				
38061363001	1	Cover Motor Tower prem				
56972500000	8	Mushroom head screw M4x12-A2-70				
56739040000	1	Washer DIN 125-A 4.3-A2-70 56739040000				
57451370000	1	Oval-head screw ISO14583 M4x12-A2-70-T20				
57767040000	1	Spring lock washer DIN128-A4-FSt				
57758610000	1	Toothed washer DIN6797-A 4,3-Fst				

Cover Motor Tower prem

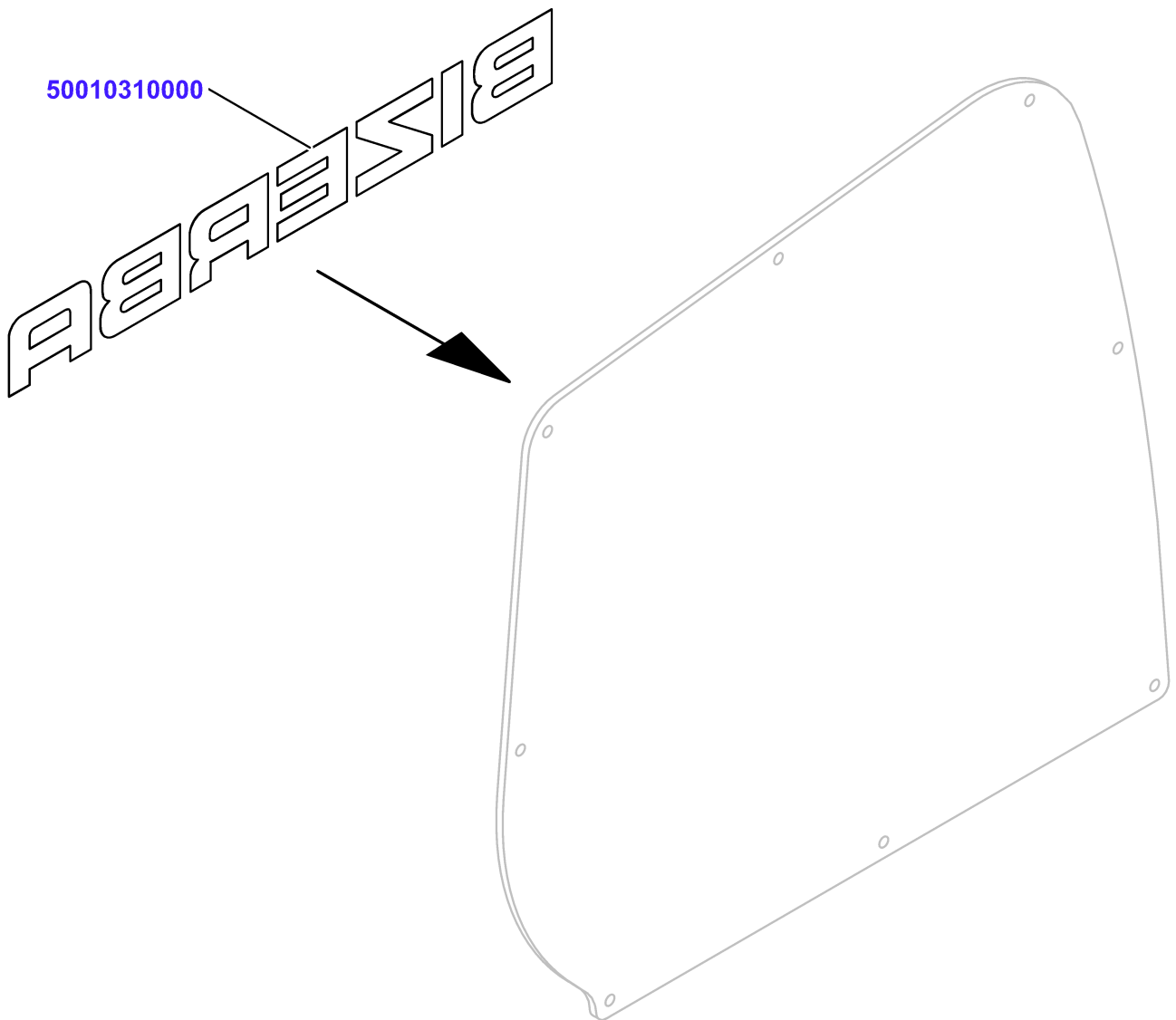


Cover Motor Tower prem

Material No.	Qty	Material description
38061364002	1	Sealing
38000471000	1	Cover Motor Tower


available for order	Wear part	Recomm. sp. part	Metr. relevance
			

Cover Motor Tower

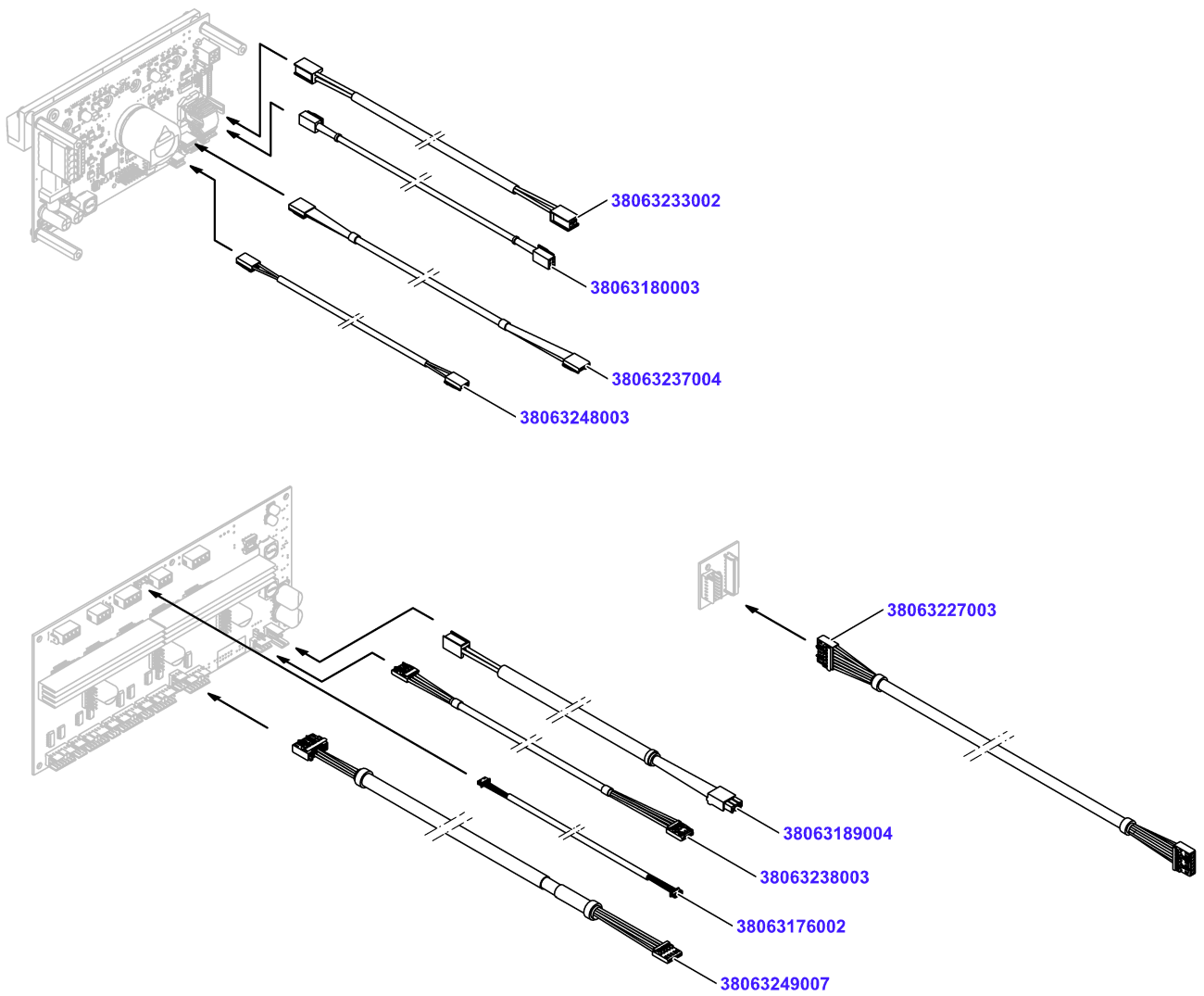


Cover Motor Tower










Material No.	Qty	Material description
50010310000	1	Bizerba Lettering L255 H30

	available for order
	Wear part
	Recomm. sp. part
	Metr. relevance

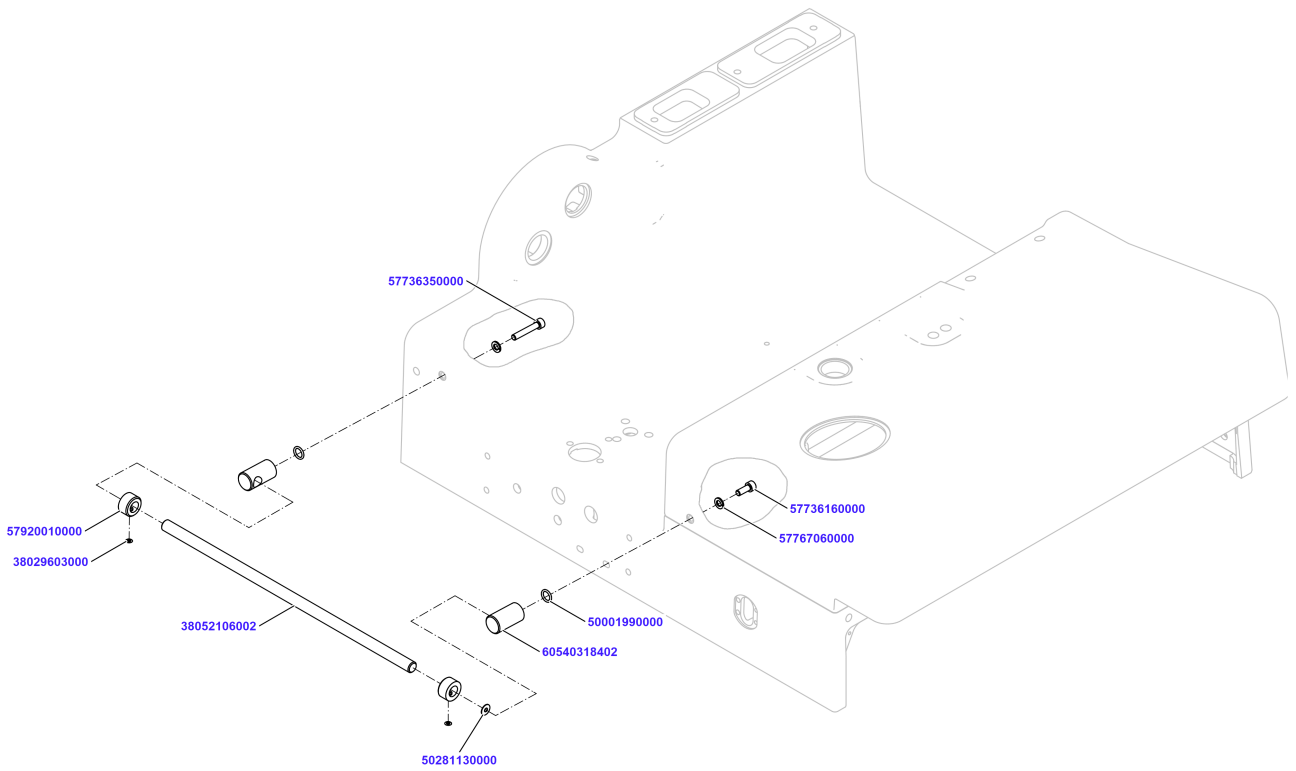
Cable set standard



Cable set standard

Material No.	Qty	Material description	available for order	Wear part	Recomm. sp. part	Metr. relevance
38063180003	1	Ka Rd 4x0,14 1,05m				
38063248003	1	Ka Rd 2x0,34 1,05m				
38063237004	1	Ka Rd 2x2x24AWG 0,87m				
38063233002	1	Ka Rd 2x0,75 0,77m				
38063238003	1	Ka Rd 2x2x24AWG 0,29m				
38063176002	1	Ka Rd 4x0,14 0,66m				
38063189004	1	Ca Rd 2x0,75 0,29m				
38063249007	1	Ka Rd 2x2xAWG26 0,38m				
38063227003	1	Ka Rd 8x2x0,14 0,50m				

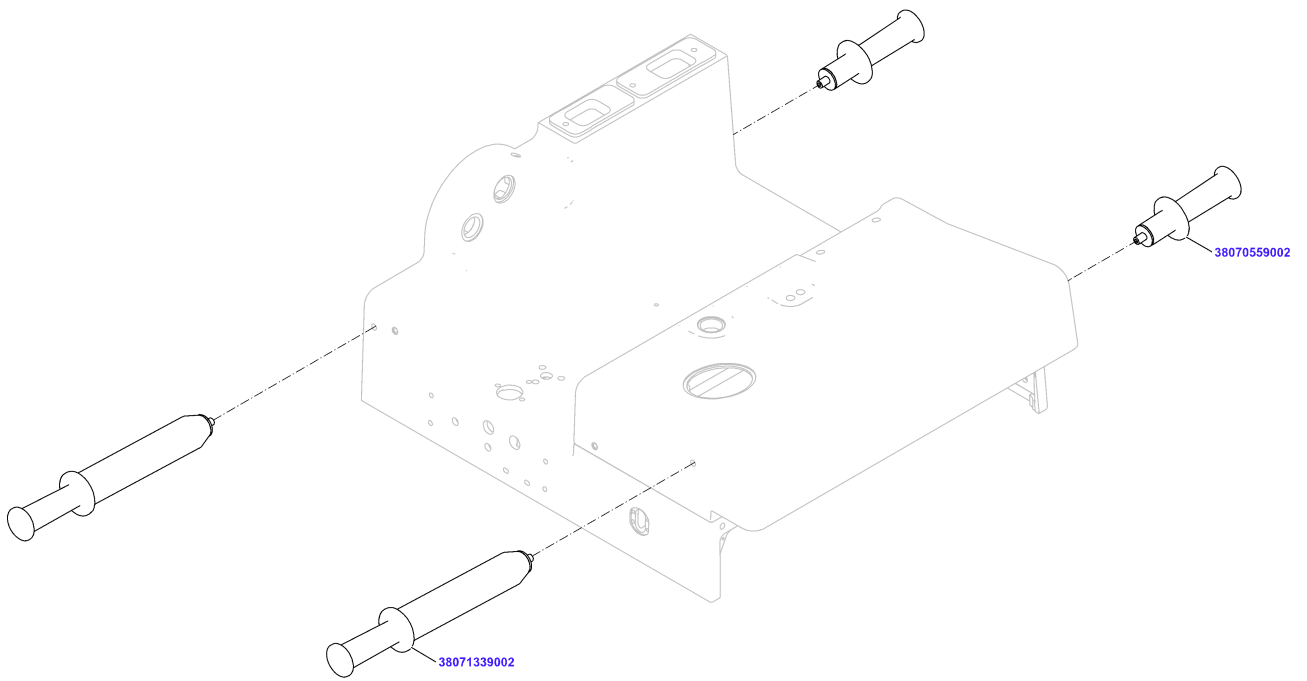
Fixing axis scale cpl



Fixing axis scale cpl





Material No.	Qty	Material description	available for order	Wear part	Recomm. sp. part	Metr. relevance
60540318402	2	Shaft Bearing	✓			
50001990000	2	O-ring DIN3771 10x2 NBR	✓			
38052106002	1	Shaft	✓			
50281130000	1	Disc spring 12x4,2x0,5	✓			
57920010000	2	Adjusting Ring DIN 705-A12-A1/M6x6 A2-70	✓			
38029603000	2	Protective plug 7x3,2x1,3-PE	✓		✓	
57736350000	1	SOCKET HEAD SCREW DIN 912- M6X35- 8.8	✓		✓	
57736160000	1	SOCKET HEAD SCREW DIN 912- M6X16- 8.8	✓			
57767060000	2	Spring lock washer DIN128-A6-FSt	✓			

Carry Handles Set VSI

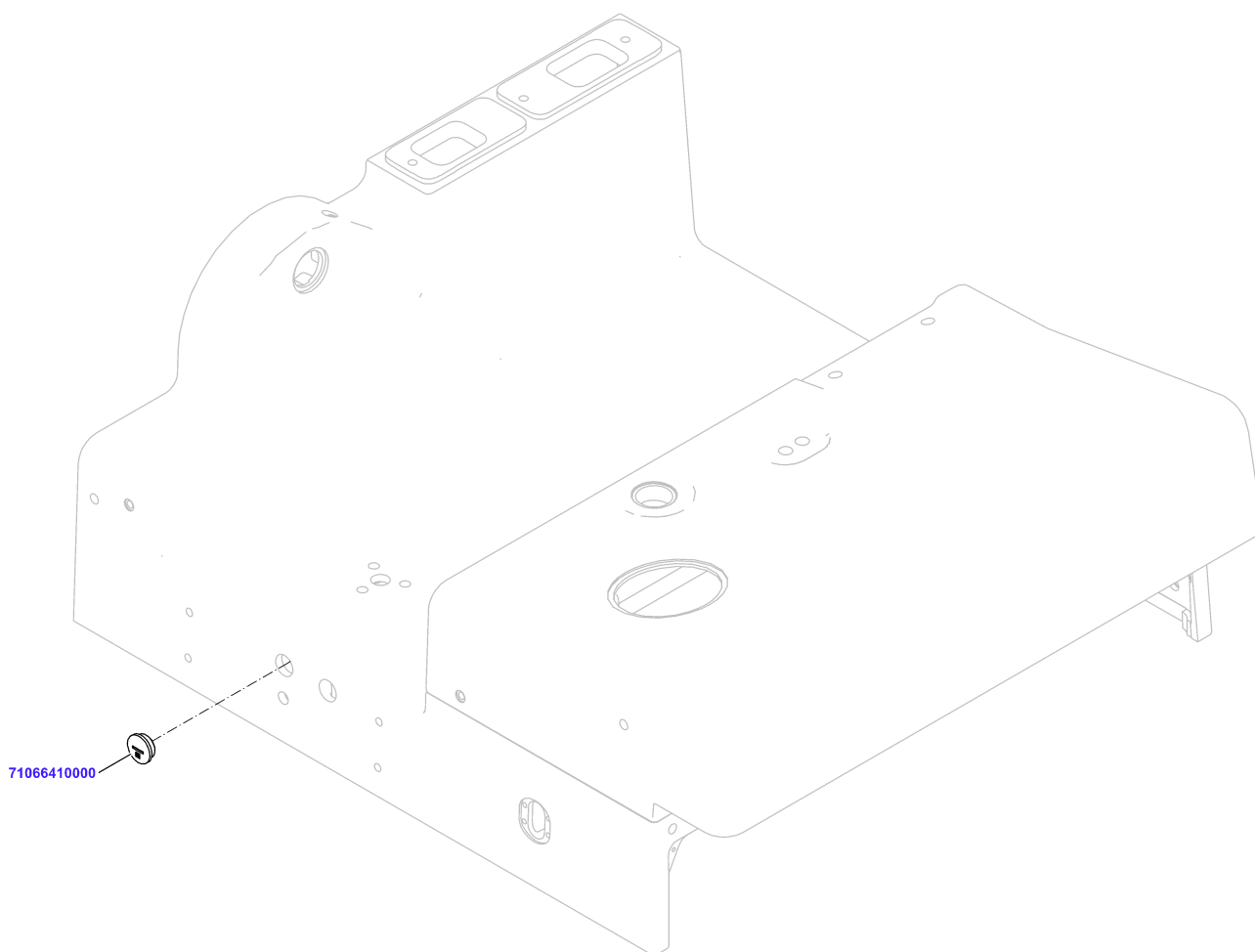


Carry Handles Set VSI

Material No.	Qty	Material description
38070559002	2	Handle preass
38071339002	2	Handle long preass


available for order	Wear part	Recomm. sp. part	Metr. relevance
			
			

Screw Plug Motor cpl

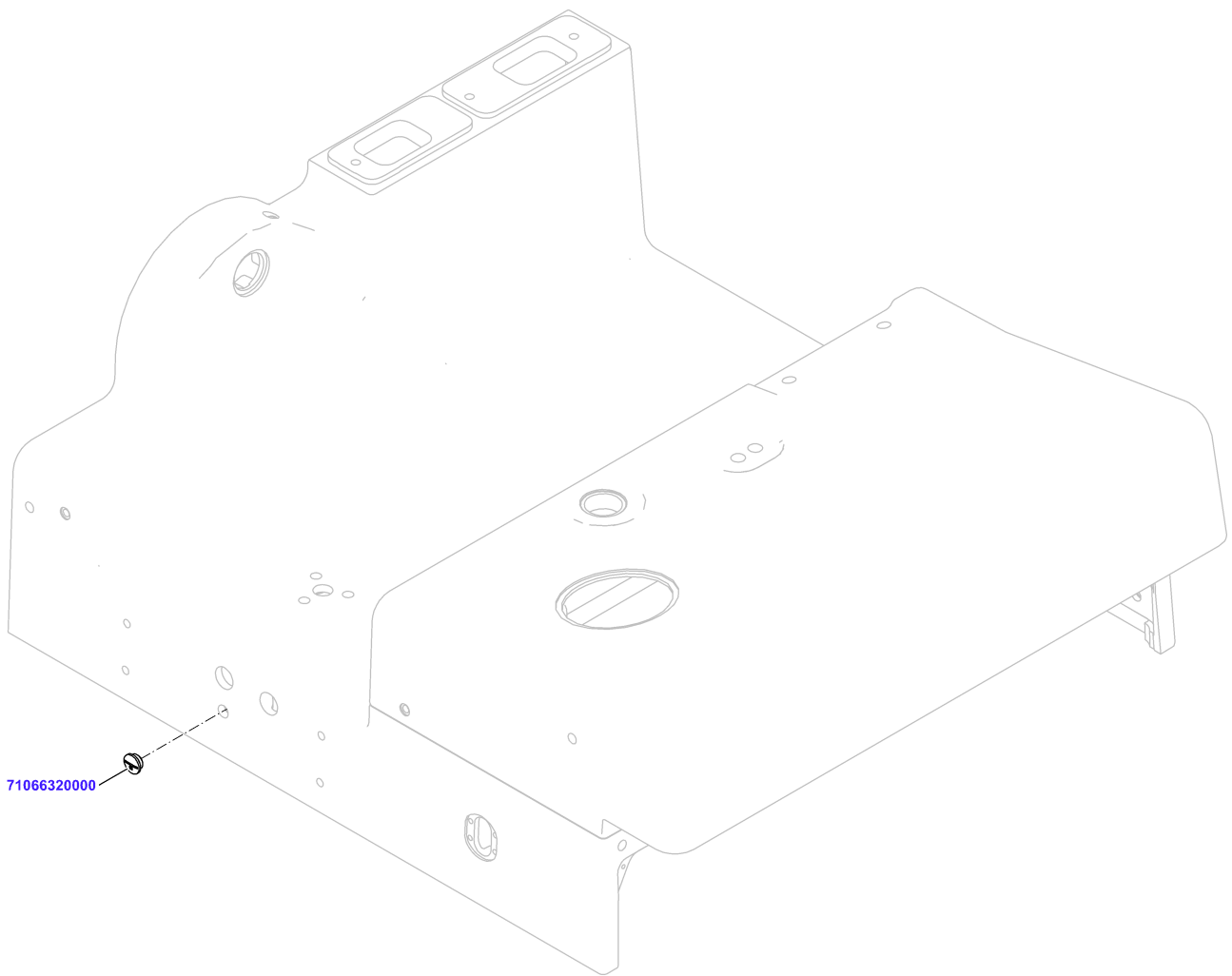


Screw Plug Motor cpl

Material No.	Qty	Material description
71066410000	1	Plug Round M20x1.5


	available for order
	Wear part
	Recomm. sp. part
	Metr. relevance

Screw Plug Light Barrier cpl

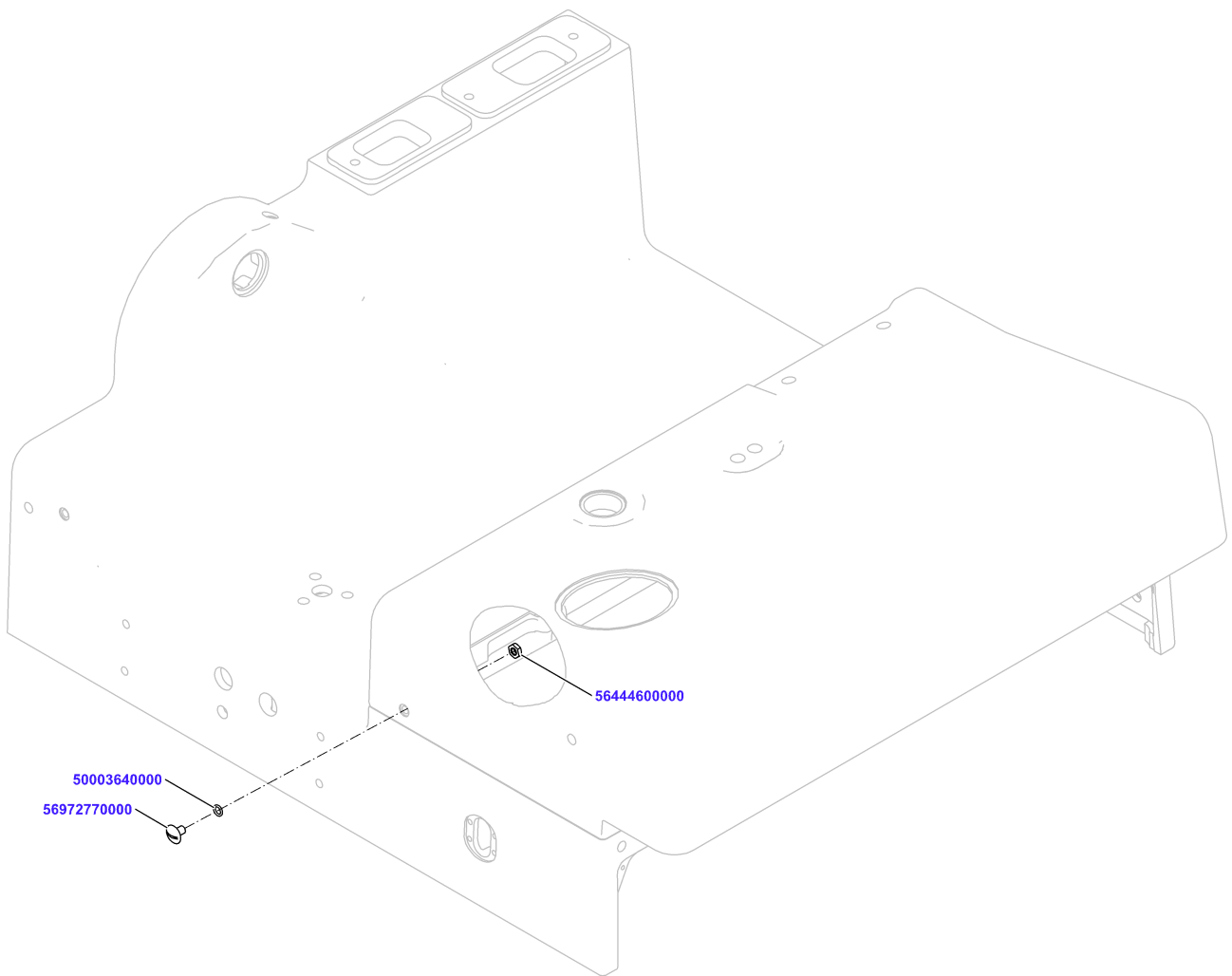


Screw Plug Light Barrier cpl




Material No.	Qty	Material description
71066320000	1	Plug round M12x1,5

	available for order
	Wear part
	Recomm. sp. part
	Metr. relevance

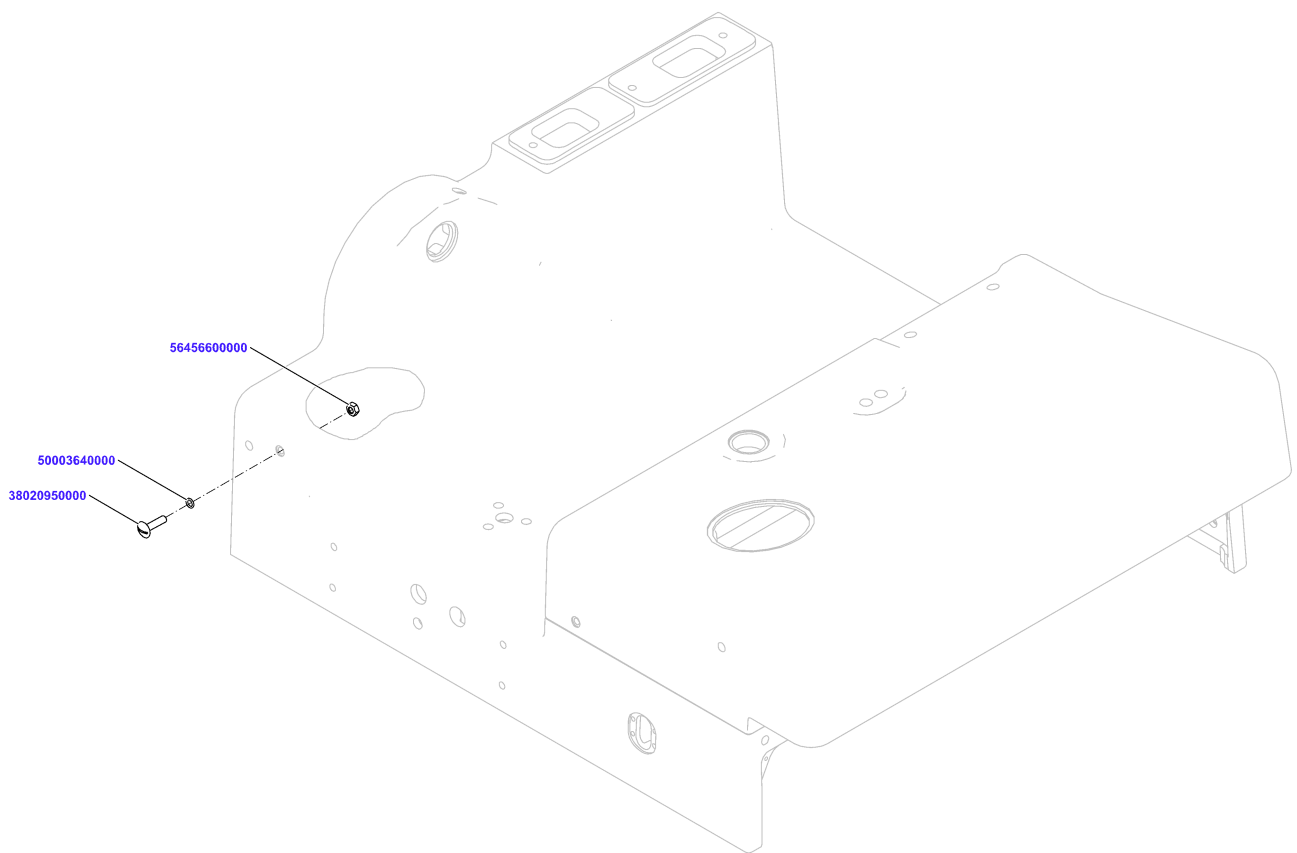
Screw Plug Machine Housing cpl






Screw Plug Machine Housing cpl

Material No.	Qty	Material description	available for order	Wear part	Recomm. sp. part	Metr. relevance
56972770000	1	Mushroom head screw M6x10-A2-70				
56444600000	1	Hexagon Nut DIN 439-BM6-A2-70				
50003640000	1	O-ring DIN3771 6x1,5 NBR 50003640000				

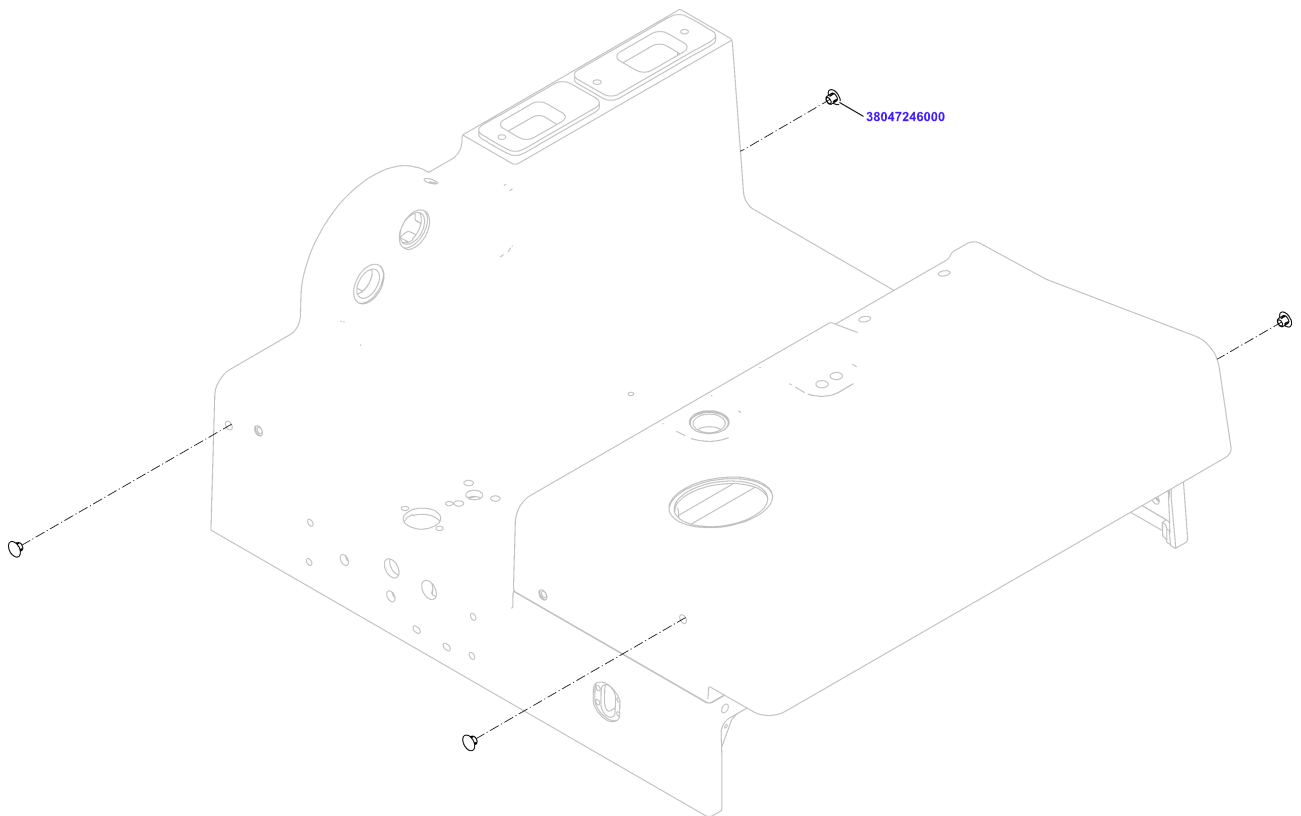
Screw Plug Drive Housing cpl



Screw Plug Drive Housing cpl



Material No.	Qty	Material description	available for order	Wear part	Recomm. sp. part	Metr. relevance
38020950000	1	Mushroom head screw M6x25-A2-70				
56456600000	1	Hexagon nut DIN934-M6-A2				
50003640000	1	O-ring DIN3771 6x1,5 NBR 50003640000				

Covering Cap Set Carry Handles

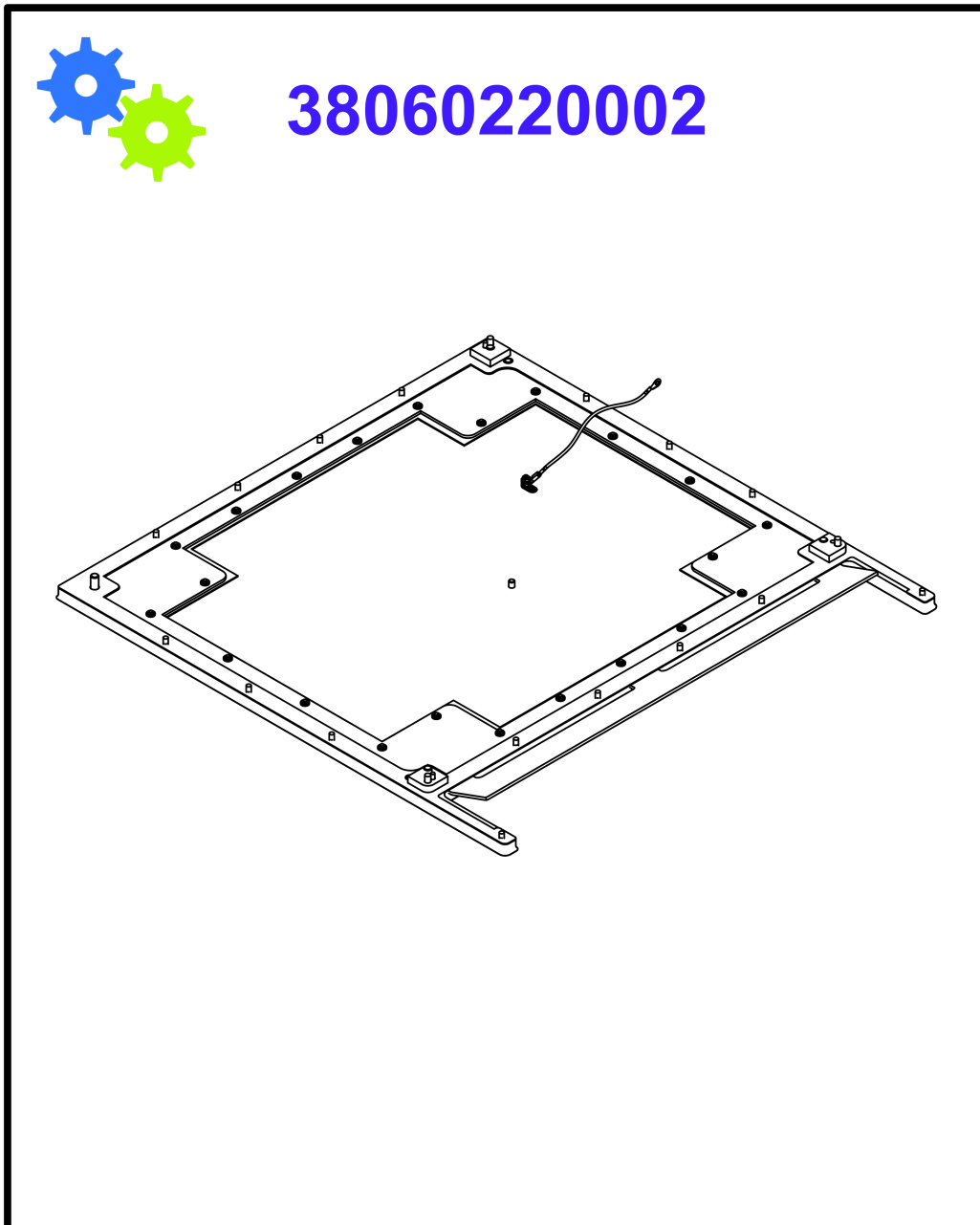


Covering Cap Set Carry Handles

Material No.	Qty	Material description
38047246000	8	Protective plug 15x8x6,9-PE


available for order	Wear part	Recomm. sp. part	Metr. relevance
			

Installations

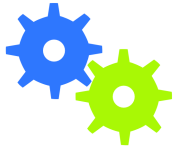


Installations

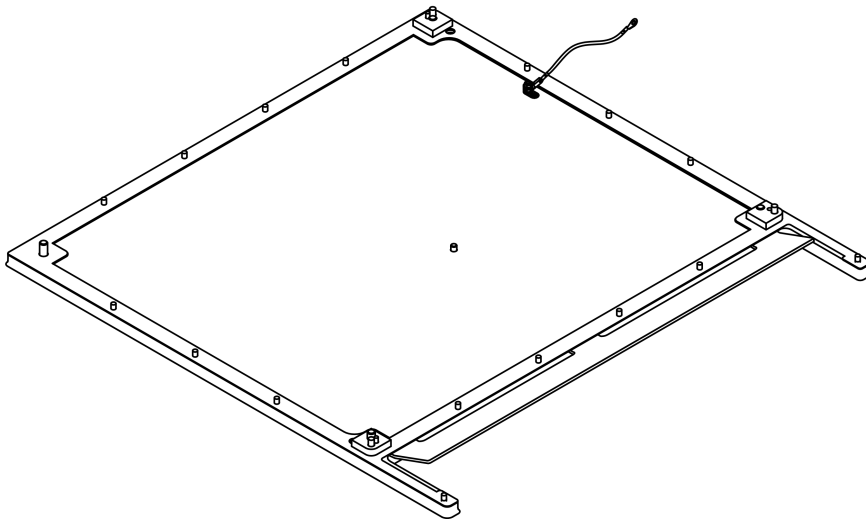
Material No.	Qty	Material description
38060220002	1	Setup VSI w. Service Cover cpl.

	available for order	Wear part	Recomm. sp. part	Metr. relevance
---	---------------------	-----------	------------------	-----------------

Installations



38068539002



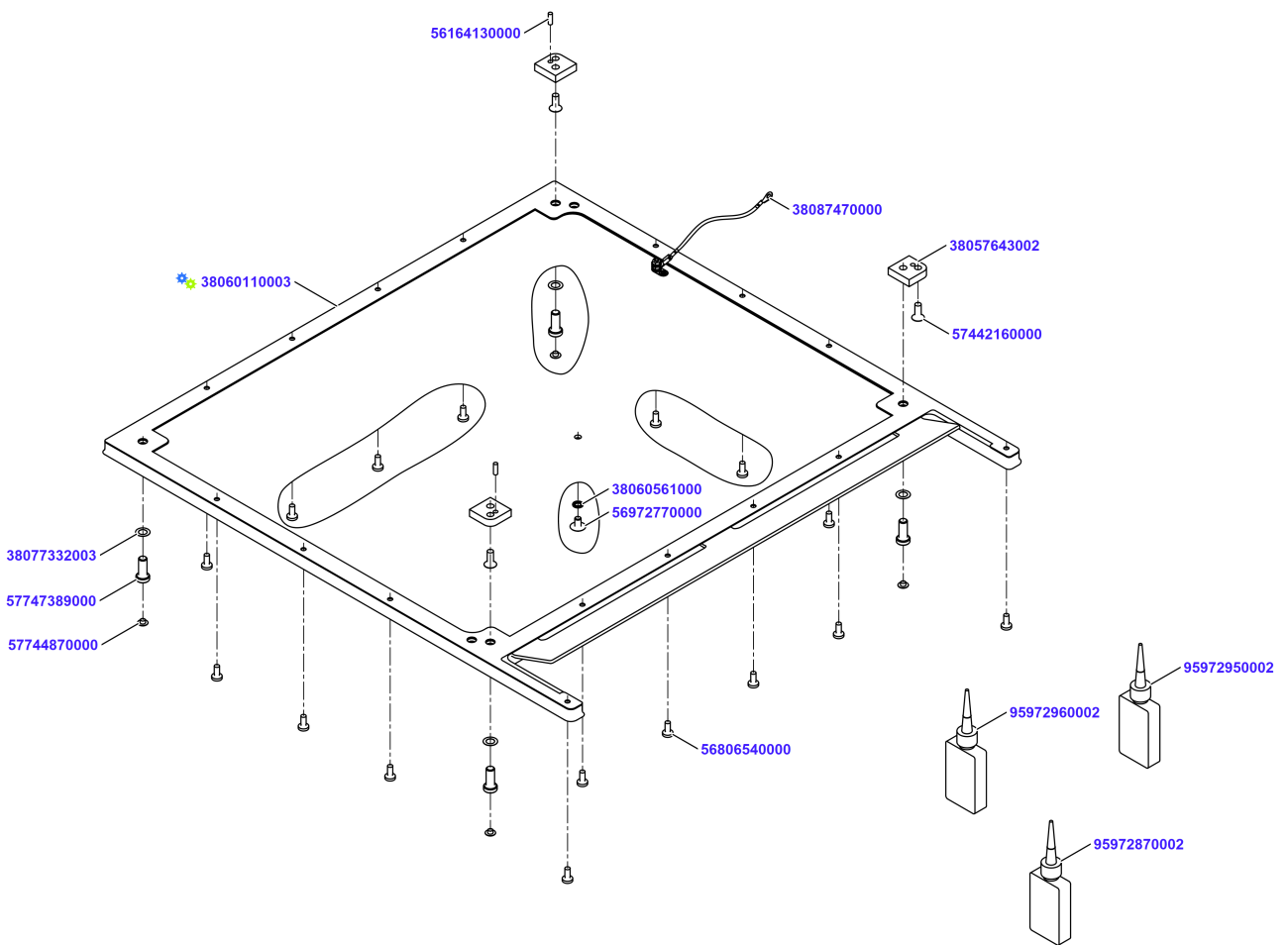
Installations

Material No. **Qty** **Material description**

[38068539002](#) 1 Setup VSI cpl.

available for order
Wear part
Recomm. sp. part
Metr. relevance

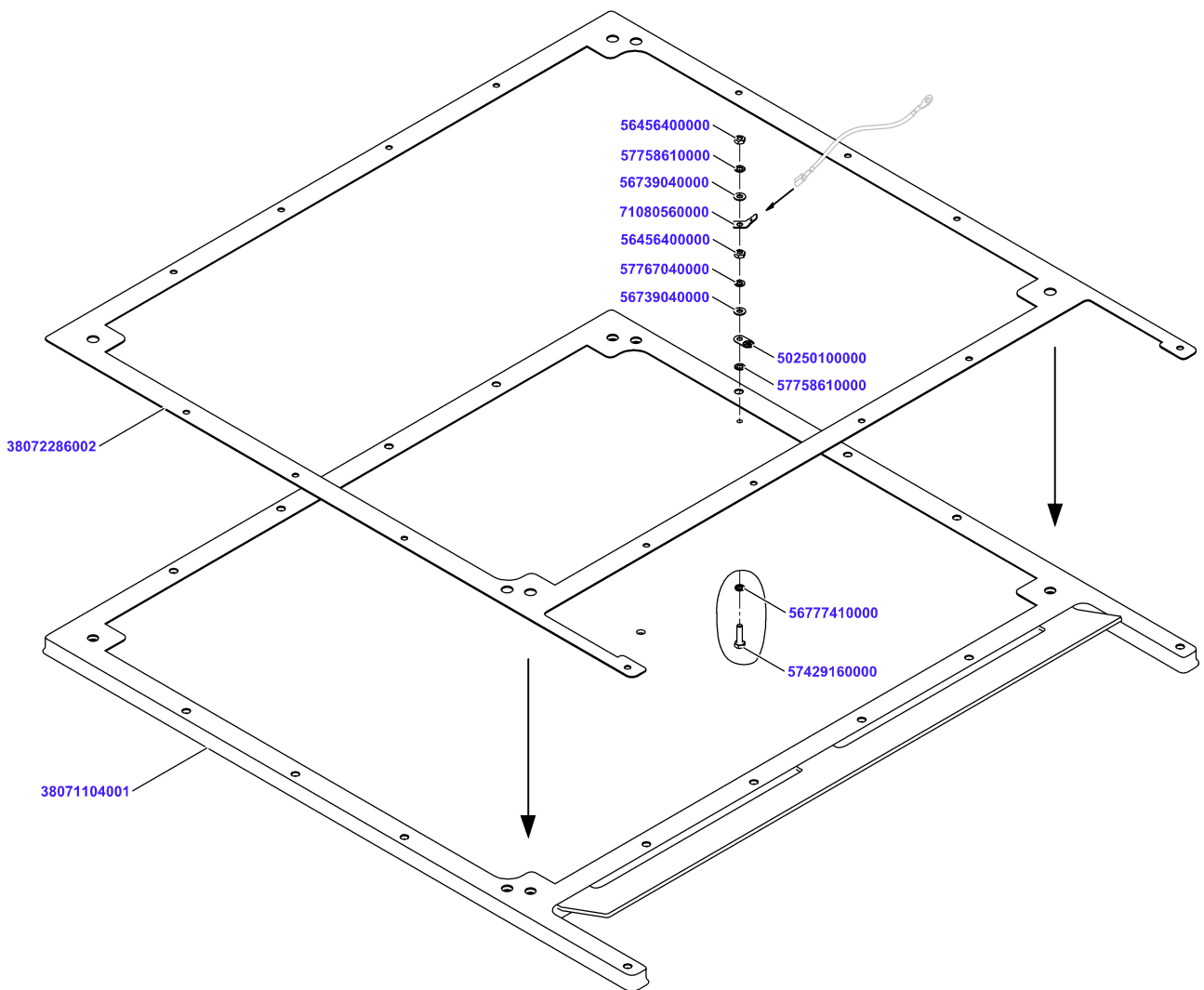
Setup VSI cpl.


















Setup VSI cpl.

Material No.	Qty	Material description	available for order	Wear part	Recomm. sp. part	Metr. relevance
56164130000	2	Cylindrical pin EN 22338-4m6x12-A2	✓			
95972960002	0,001	Loctite 7649 500ml	✓			
95972870002	0,001	Loctite 638 95972870002	✓			
38057643002	3	Plate	✓			
57442160000	3	Countersunk screw ISO 10642 M6x16-A2-70	✓			
95972950002	0,001	Loctite 243 50 ml 95972950002	✓			
38060110003	1	Setup preass.	✓			
38087470000	1	Ka Li GN/YE AWG18 0,5m	✓			
57747389000	4	Cylinder screw DIN7984 M8x20-A2-70	✓			
38077332003	4	Thrusted washer 13,8x8,2x0,18	✓			
56806540000	16	Oval-head screw DIN7985 M5x12-A2-70	✓			
56972770000	1	Mushroom head screw M6x10-A2-70	✓			
38060561000	1	Screw seal M6	✓		✓	
57744870000	4	Protective plug 10x5,2x3,1-PE	✓		✓	

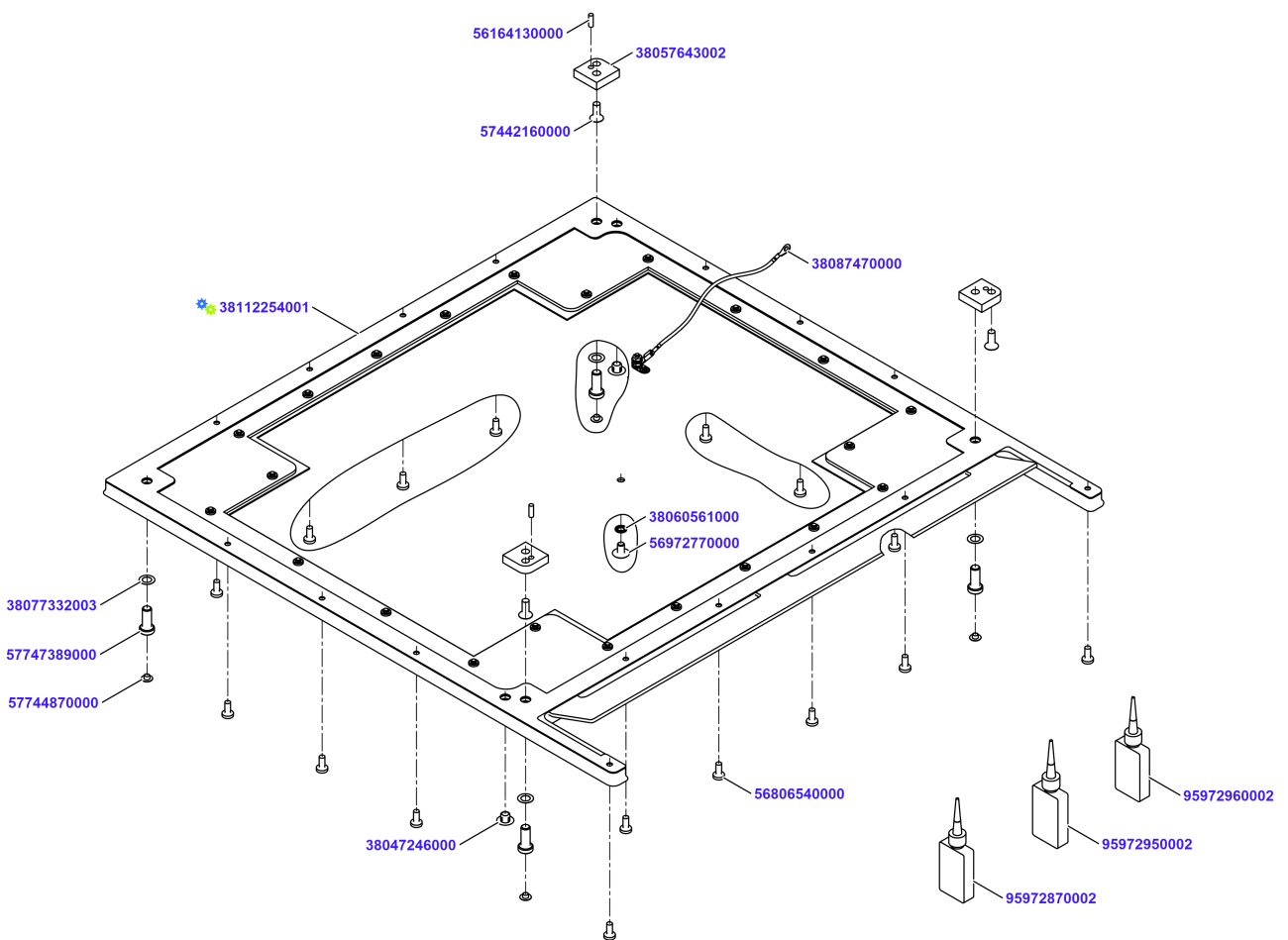
Setup preass.



Setup preass.

Material No.	Qty	Material description	available for order	Wear part	Recomm. sp. part	Metr. relevance
38071104001	1	Bottom Plate with Installation Bars				
38072286002	1	Sealing				
56777410000	1	Screw seal M4				
57429160000	1	Hexagon Screw DIN 933-M4x16-A2-7				
57758610000	1	Toothed washer DIN6797-A 4,3-Fst				
50250100000	1	Grounding Plate 9x17/4.3 D				
56739040000	1	Washer DIN 125-A 4.3-A2-70 56739040000				
57767040000	1	Spring lock washer DIN128-A4-FSt				
56456400000	1	Hexagon nut DIN934-M4-A2				
71080560000	1	Flat Plug 6.3 DIN4634				
56739040000	1	Washer DIN 125-A 4.3-A2-70 56739040000				
57758610000	1	Toothed washer DIN6797-A 4,3-Fst				
56456400000	1	Hexagon nut DIN934-M4-A2				

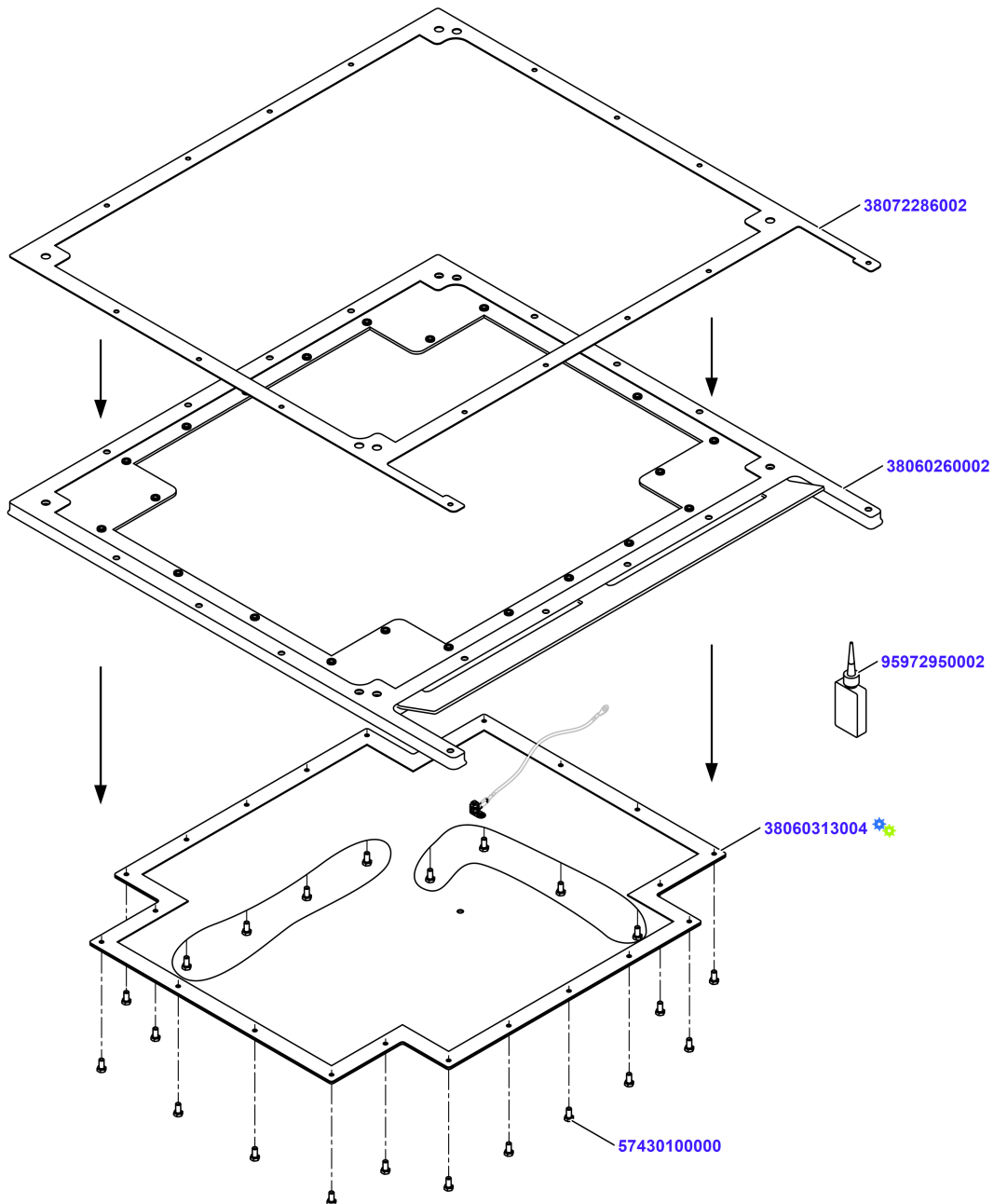
Setup VSI w. Service Cover cpl.



Setup VSI w. Service Cover cpl.

Material No.	Qty	Material description	available for order	Wear part	Recomm. sp. part	Metr. relevance
56164130000	2	Cylindrical pin EN 22338-4m6x12-A2	✓			
95972960002	0,001	Loctite 7649 500ml	✓			
95972870002	0,001	Loctite 638 95972870002	✓			
38057643002	3	Plate	✓			
57442160000	3	Countersunk screw ISO 10642 M6x16-A2-70	✓			
38112254001	1	Setup w. Service Cover preass.	✓			
38087470000	1	Ka Li GN/YE AWG18 0,5m	✓			
57747389000	4	Cylinder screw DIN7984 M8x20-A2-70	✓			
38077332003	4	Thrusted washer 13,8x8,2x0,18	✓			
56806540000	16	Oval-head screw DIN7985 M5x12-A2-70	✓			
95972950002	0,001	Loctite 243 50 ml 95972950002	✓			
56972770000	1	Mushroom head screw M6x10-A2-70	✓			
38060561000	1	Screw seal M6	✓		✓	
57744870000	4	Protective plug 10x5,2x3,1-PE	✓		✓	
38047246000	2	Protective plug 15x8x6,9-PE	✓		✓	

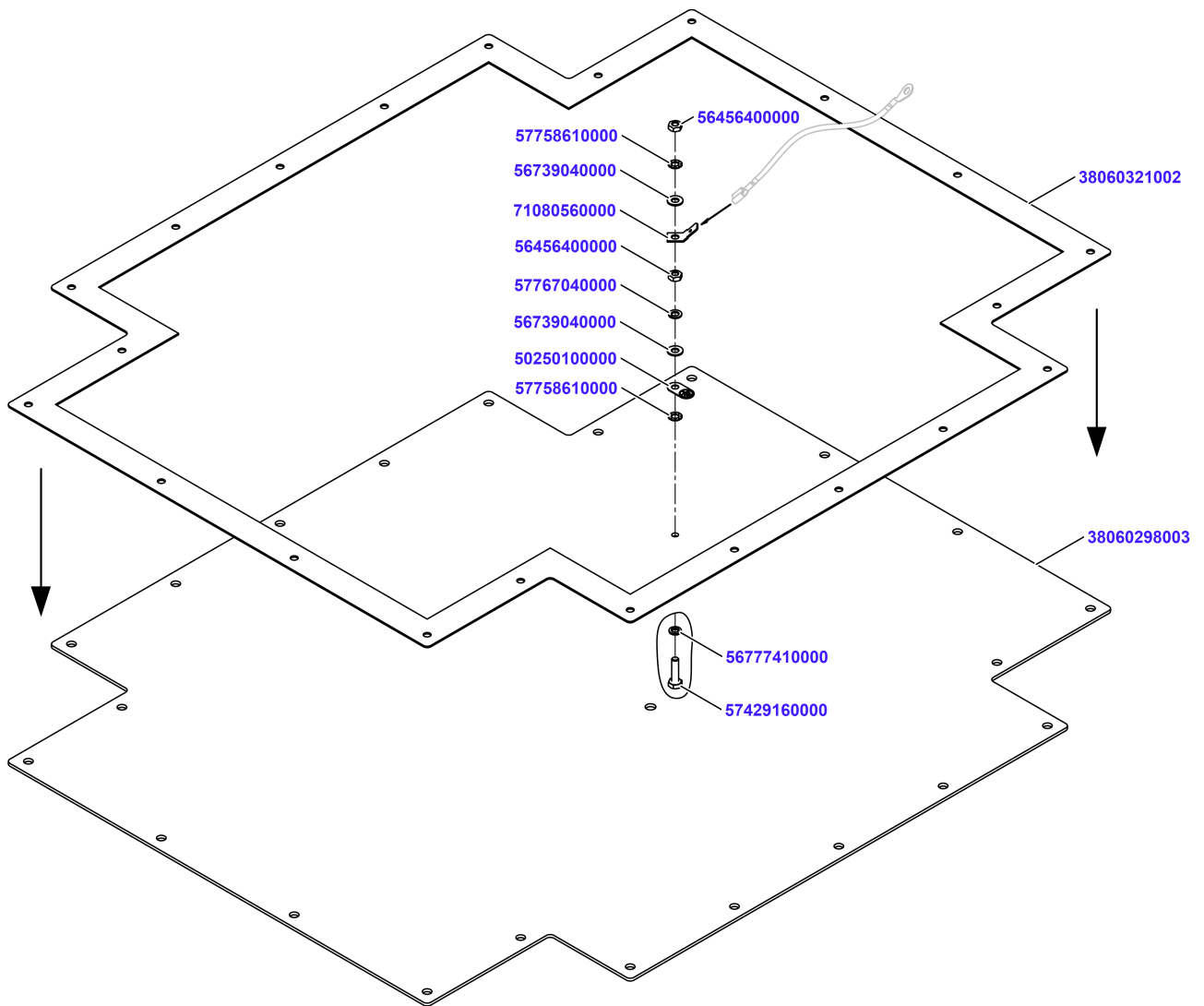
Setup w. Service Cover preass.



Setup w. Service Cover preass.

Material No.	Qty	Material description	available for order	Wear part	Recomm. sp. part	Metr. relevance
38060260002	1	Frame with Installation Bars	✓			
38072286002	1	Sealing	✓		✓	
38060313004	1	Service Cover prem.	✓			
57430100000	22	Hexagon Screw DIN 933-M5x10-A2-7	✓			
95972950002	0,001	Loctite 243 50 ml 95972950002	✓			

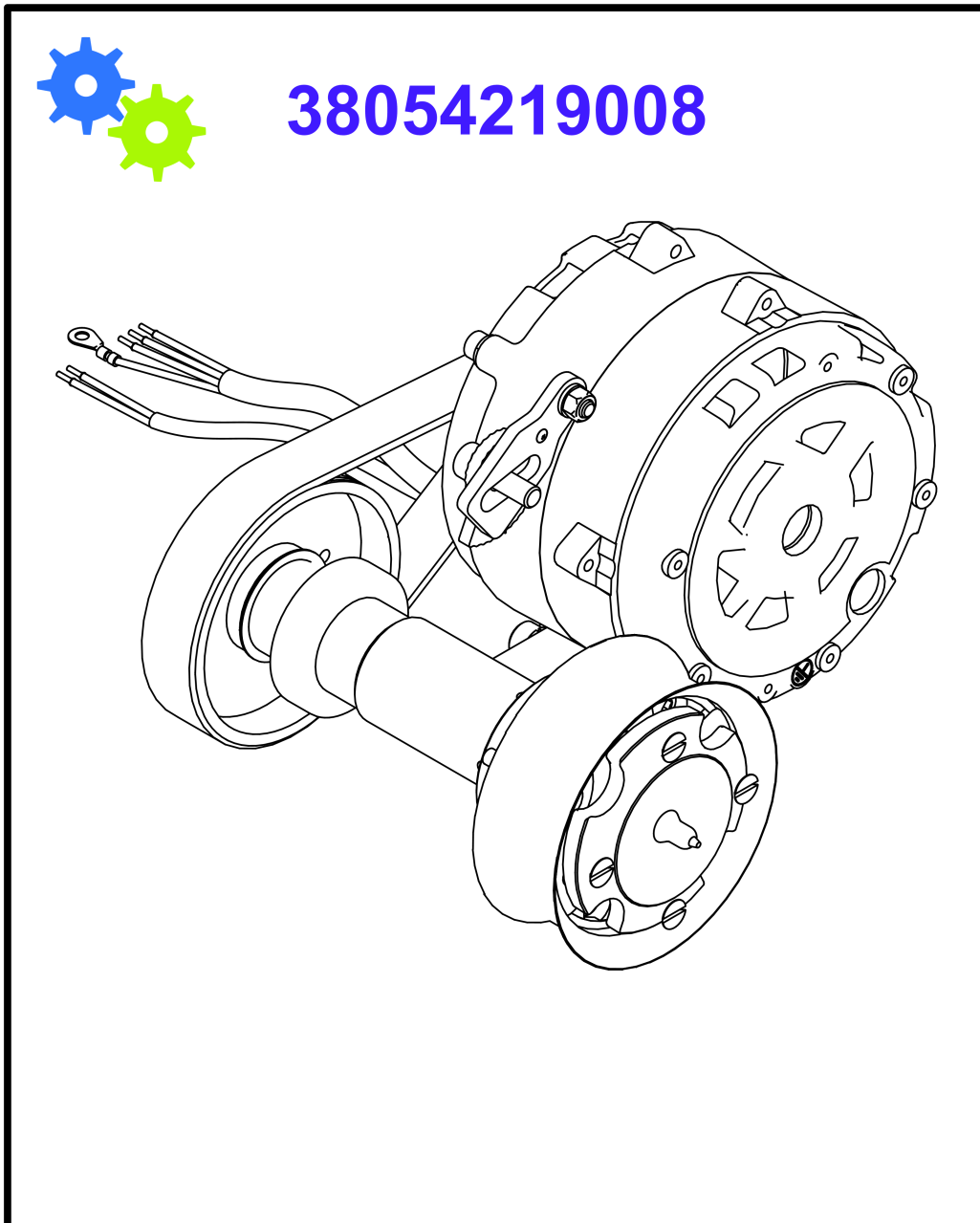
Service Cover prem.



Service Cover prem.

Material No.	Qty	Material description	available for order	Wear part	Recomm. sp. part	Metr. relevance
38060298003	1	Cover	✓			
38060321002	1	Sealing	✓		✓	
57429160000	1	Hexagon Screw DIN 933-M4x16-A2-7	✓			
56777410000	1	Screw seal M4	✓		✓	
57758610000	1	Toothed washer DIN6797-A 4,3-Fst	✓			
50250100000	1	Grounding Plate 9x17/4.3 D	✓			
56739040000	1	Washer DIN 125-A 4.3-A2-70 56739040000	✓			
57767040000	1	Spring lock washer DIN128-A4-FSt	✓			
56456400000	1	Hexagon nut DIN934-M4-A2	✓			
71080560000	1	Flat Plug 6.3 DIN4634	✓			
56739040000	1	Washer DIN 125-A 4.3-A2-70 56739040000	✓			
57758610000	1	Toothed washer DIN6797-A 4,3-Fst	✓			
56456400000	1	Hexagon nut DIN934-M4-A2	✓			

Blade drive



Blade drive

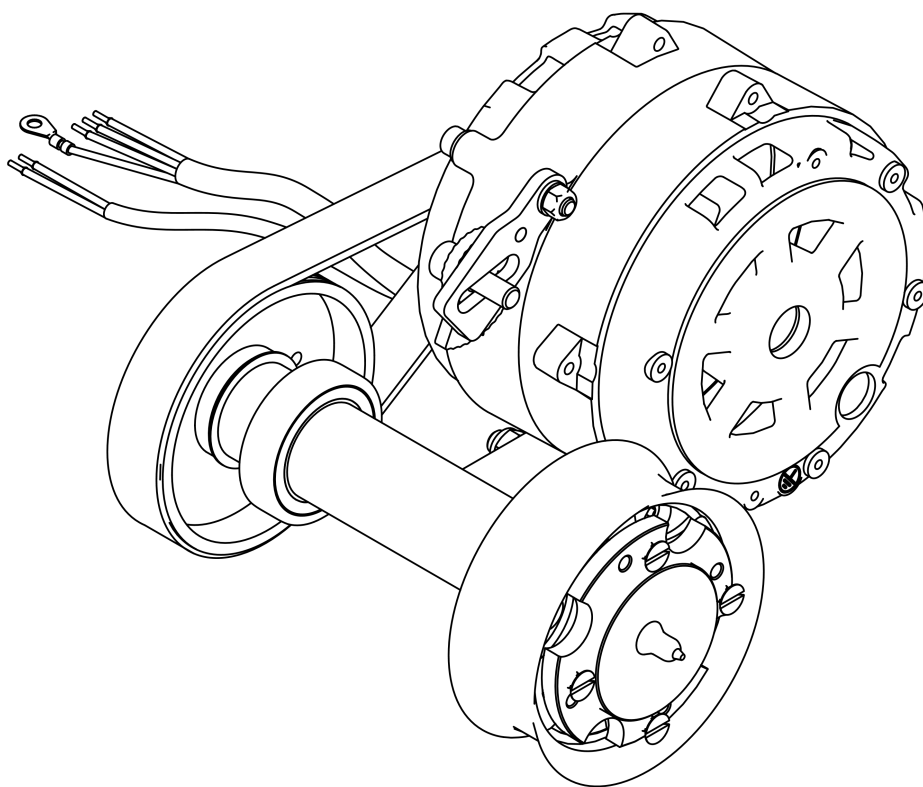
available for order
Wear part
Recomm. sp. part
Metr. relevance

Material No.	Qty	Material description
38054219008	1	Blade Drive VSI cpl

Blade drive



38111007000



Blade drive

Material No. **Qty** **Material description**

[38111007000](#) 1 Blade Drive one-piece VSI cpl.

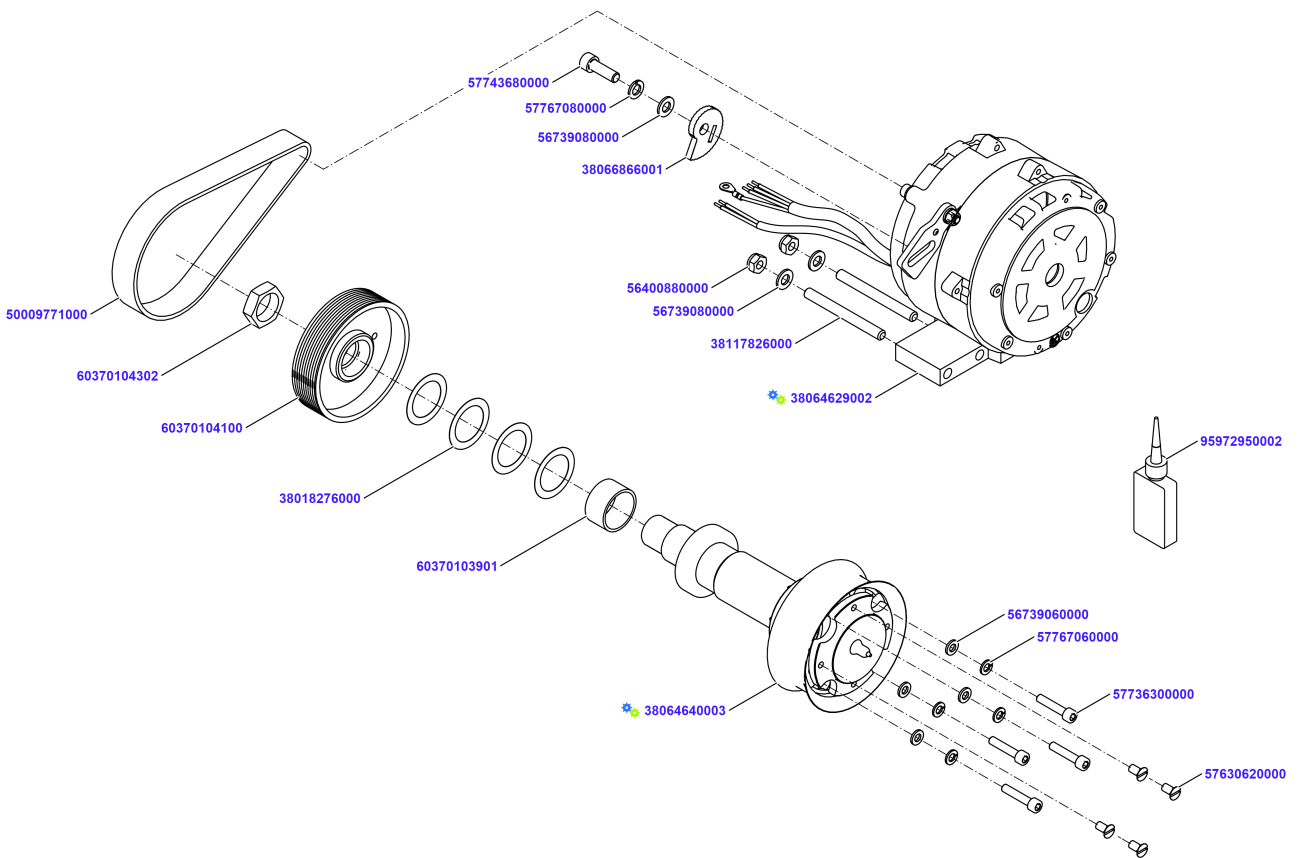
available for order

Wear part

Recomm. sp. part

Metr. relevance

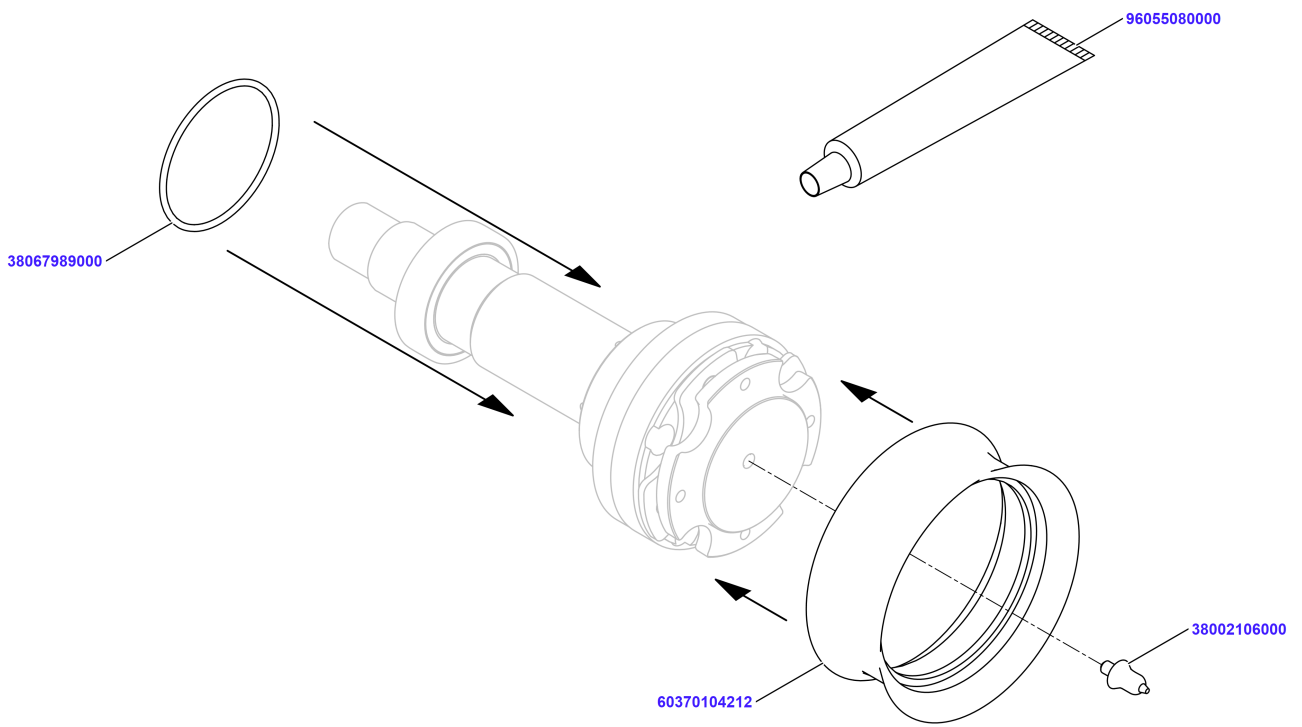
Blade Drive VSI cpl



Blade Drive VSI cpl





Material No.	Qty	Material description	available for order	Wear part	Recomm. sp. part	Metr. relevance
38064640003	1	Blade bearing cpl	✓		✓	
57736300000	4	SOCKET HEAD SCREW DIN 912- M6X30- 8.8	✓			
57767060000	4	Spring lock washer DIN128-A6-FSt	✓			
56739060000	4	Washer DIN125-A-6-A2	✓			
38064629002	1	Motor cpl	✓			
38117826000	2	Threaded bolt DIN 913-M8x80-A2	✓			
56739080000	2	Washer DIN125-A-8-A2	✓			
56400880000	2	Lock nut DIN985-M8-A2	✓			
38066866001	1	Tappet	✓			
57743680000	1	Cylinder screw DIN912 M8x25-A2-70	✓			
57767080000	1	Spring lock washer DIN128-A8-A2	✓			
56739080000	1	Washer DIN125-A-8-A2	✓			
60370103901	1	Spacer ring 19mm	✓			
38018276000	4	Shim ring DIN988-30x42x0,2	✓			
60370104100	1	Belt pulley PolyV	✓			
60370104302	1	Hexagon nut M25x1,5 SW30	✓			
50009771000	1	V-ribbed belt 10 PJ 457	✓	✓	✓	
57630620000	4	Countersunk screw DIN963 M6x12-A2-70	✓			
95972950002	0,001	Loctite 243 50 ml 95972950002	✓			

Blade bearing cpl

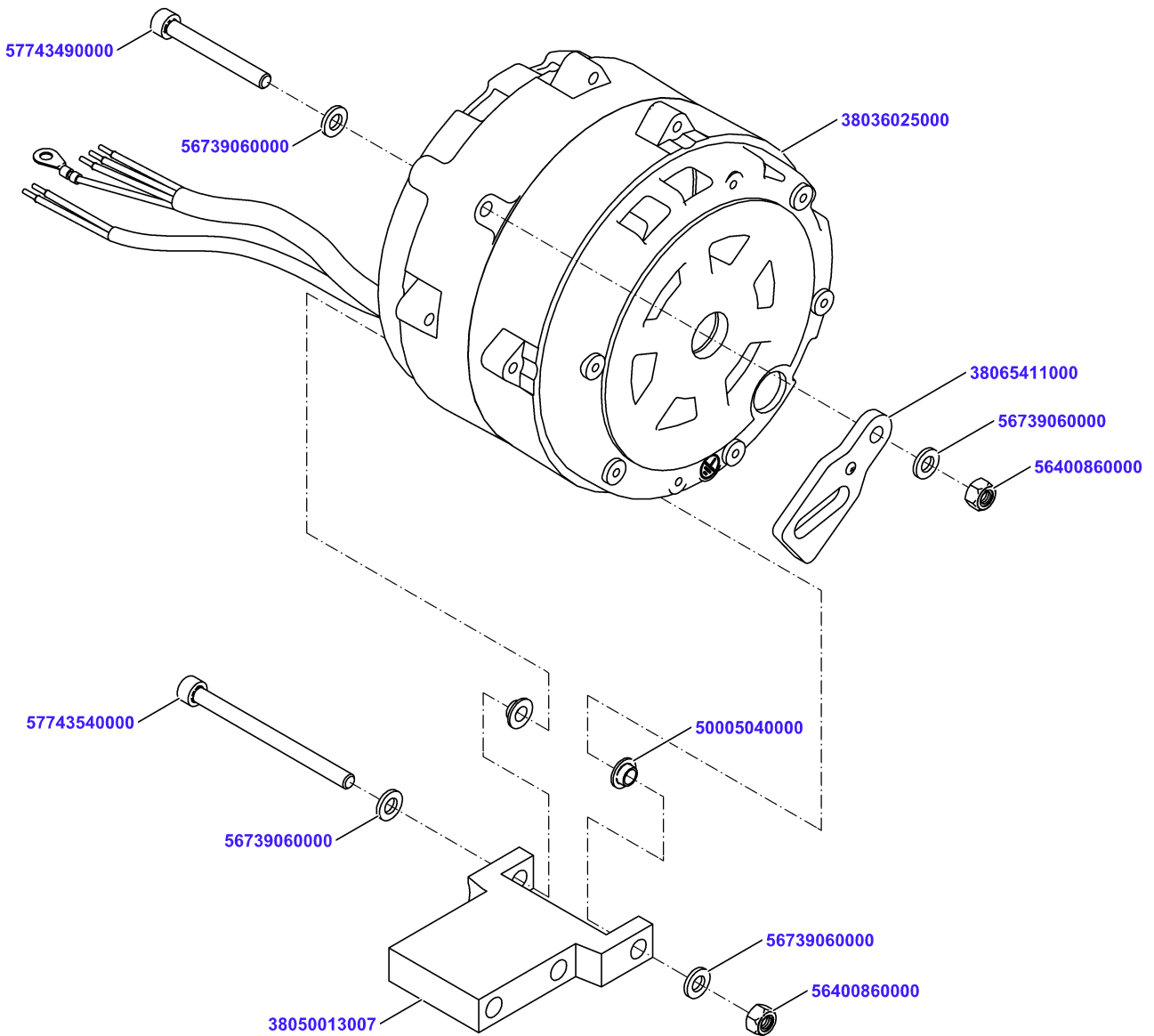


Blade bearing cpl

Material No.	Qty	Material description
38067989000	1	O-ring 58,42x2,62 NBR
60370104212	1	Sealing ring blade 108x84x40
96055080000	0,001	Kluebersynth UH1 64-62/25kg
38002106000	1	Shoring bolt

available for order	Wear part	Recomm. sp. part	Metr. relevance
			
			
			
			

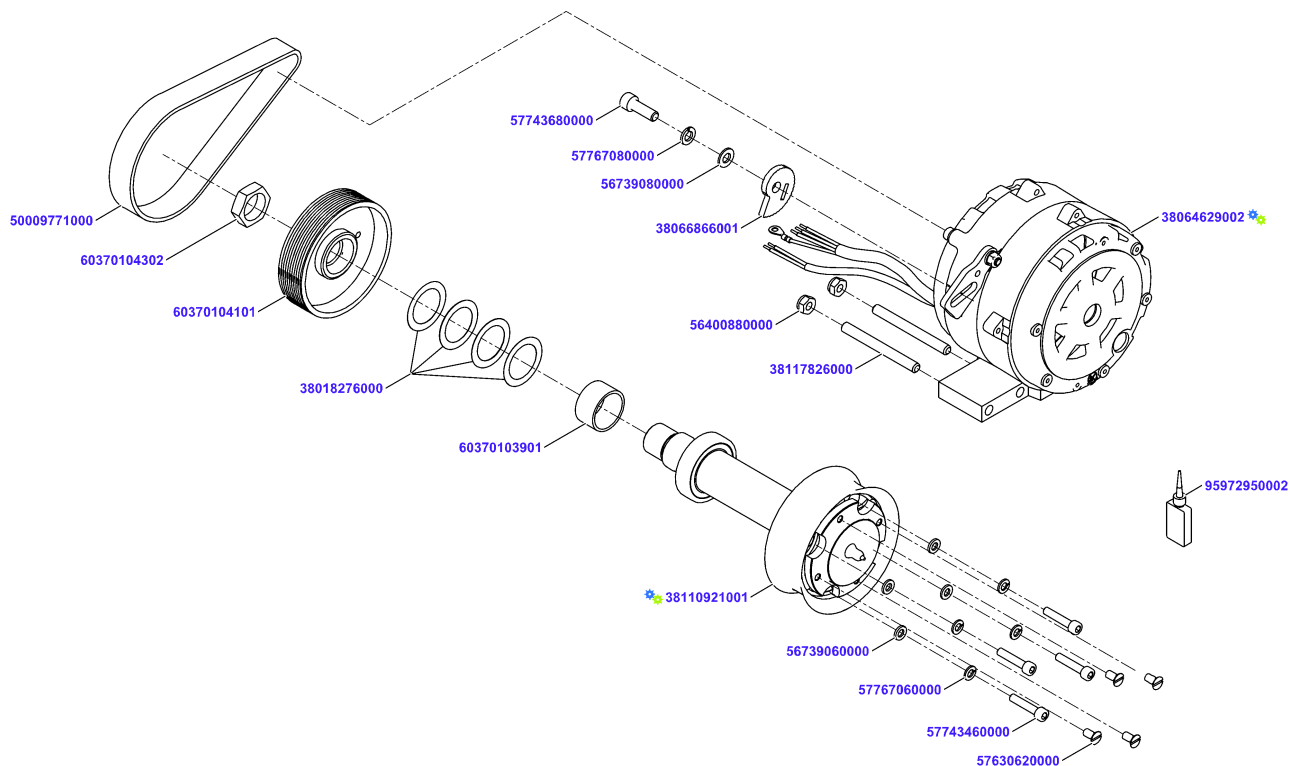
Motor cpl



Motor cpl

Material No.	Qty	Material description	available for order	Wear part	Recomm. sp. part	Metr. relevance
38036025000	1	Motor VS 12 DRS 100V/50HZ thermal prot.	✓		✓	
57743490000	1	Cylinder screw DIN912 M6x50-A2-70	✓			
38065411000	1	Clamp cpl	✓			
56400860000	1	Locknut DIN 985-M6-A2-70 56400860000	✓			
56739060000	2	Washer DIN125-A-6-A2	✓			
38050013007	1	Bearing Pedestal	✓			
50005040000	2	Plain bearing w. flange 6x12x8x4	✓			
57743540000	1	Cylinder screw DIN912 M6x80-A2-70	✓			
56739060000	2	Washer DIN125-A-6-A2	✓			
56400860000	1	Locknut DIN 985-M6-A2-70 56400860000	✓			

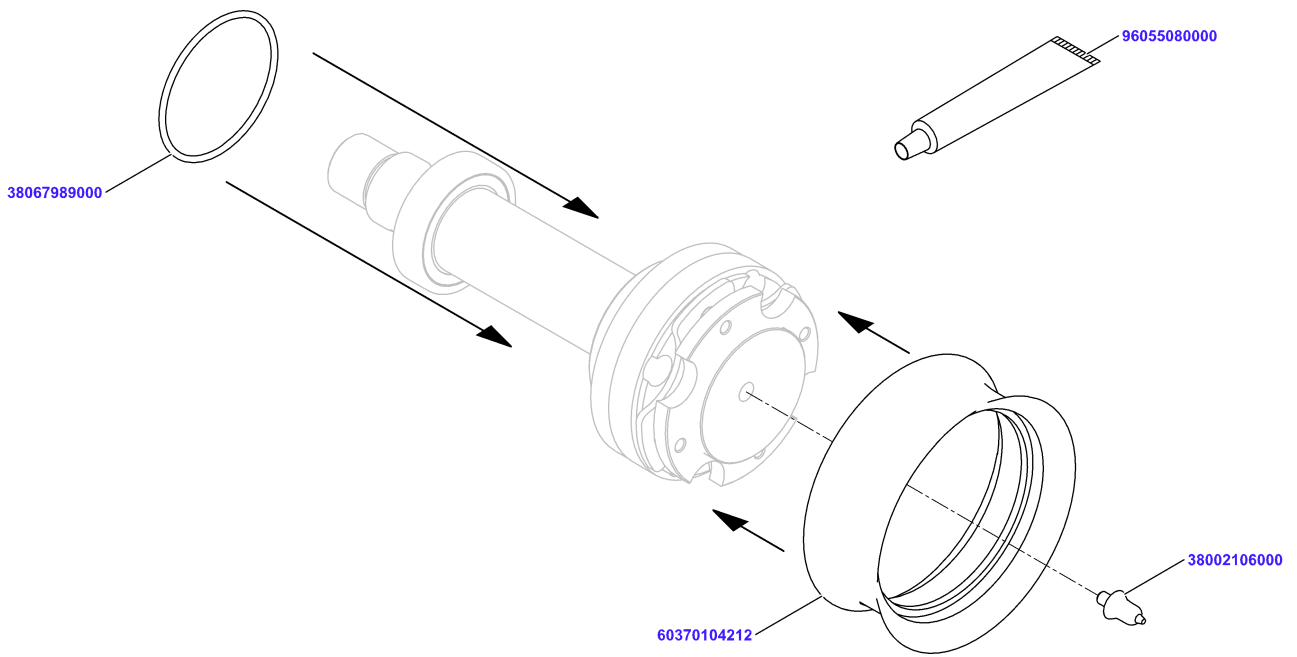
Blade Drive one-piece VSI cpl.



Blade Drive one-piece VSI cpl.

Material No.	Qty	Material description	available for order	Wear part	Recomm. sp. part	Metr. relevance
38110921001	1	Blade Bearing one-piece cpl.	✓		✓	
57743460000	4	Cylinder screw DIN912 M6x30-A2-70	✓			
57767060000	4	Spring lock washer DIN128-A6-FSt	✓			
56739060000	4	Washer DIN125-A-6-A2	✓			
38064629002	1	Motor cpl	✓			
38117826000	2	Threaded bolt DIN 913-M8x80-A2	✓			
95972950002	0,001	Loctite 243 50 ml 95972950002	✓			
56400880000	2	Lock nut DIN985-M8-A2	✓			
38066866001	1	Tappet	✓			
57743680000	1	Cylinder screw DIN912 M8x25-A2-70	✓			
57767080000	1	Spring lock washer DIN128-A8-A2	✓			
56739080000	1	Washer DIN125-A-8-A2	✓			
60370103901	1	Spacer ring 19mm	✓			
38018276000	4	Shim ring DIN988-30x42x0,2	✓			
60370104101	1	Belt pulley PolyV 98,4	✓			
60370104302	1	Hexagon nut M25x1,5 SW30	✓			
50009771000	1	V-ribbed belt 10 PJ 457	✓	✓	✓	
57630620000	4	Countersunk screw DIN963 M6x12-A2-70	✓			

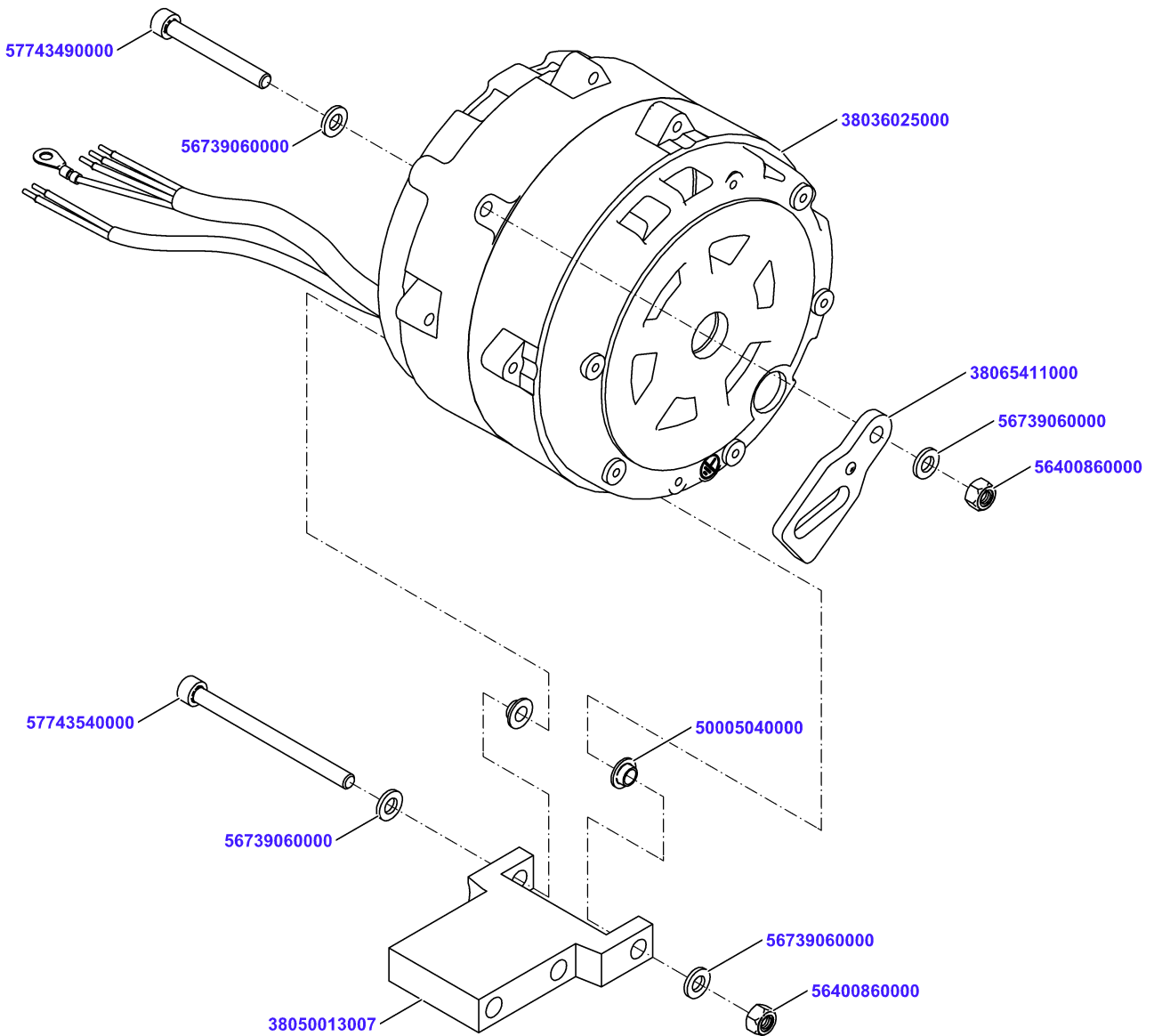
Blade Bearing one-piece cpl.



Blade Bearing one-piece cpl.

Material No.	Qty	Material description	available for order	Wear part	Recomm. sp. part	Metr. relevance
60370104212	1	Sealing ring blade 108x84x40	✓			
96055080000	0,001	Kluebersynth UH1 64-62/25kg	✓			
38067989000	1	O-ring 58,42x2,62 NBR	✓			
38002106000	1	Shoring bolt	✓			

Motor cpl

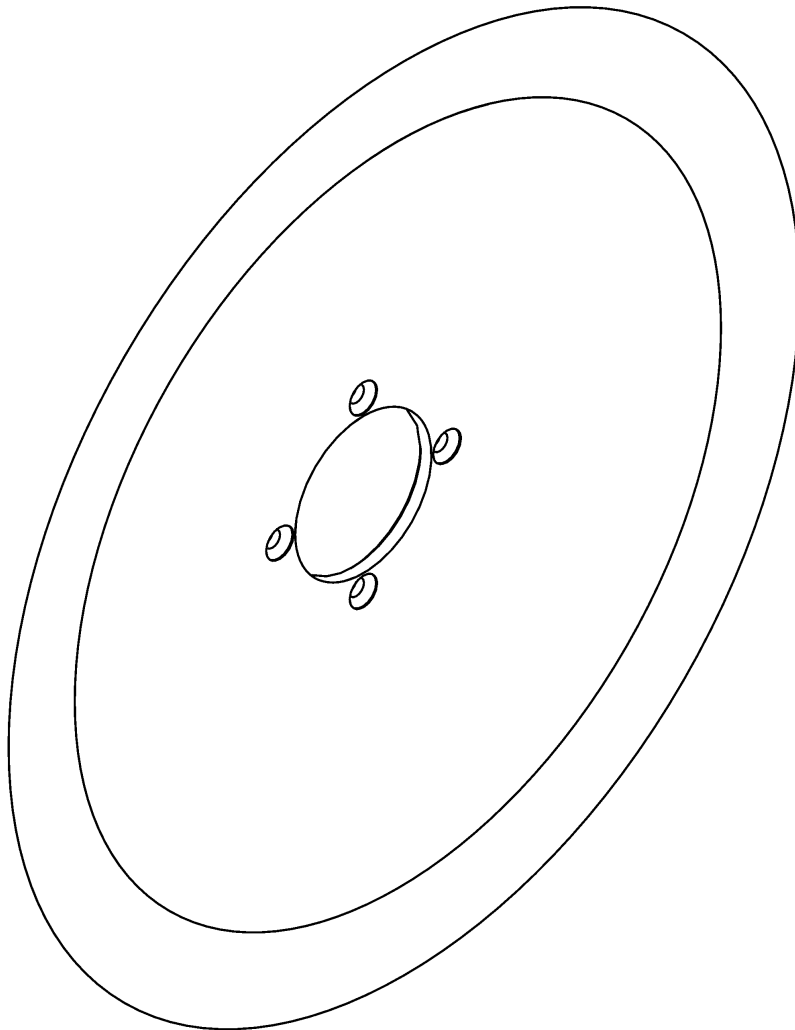


Motor cpl




Material No.	Qty	Material description	available for order	Wear part	Recomm. sp. part	Metr. relevance
38036025000	1	Motor VS 12 DRS 100V/50HZ thermal prot.	✓		✓	
57743490000	1	Cylinder screw DIN912 M6x50-A2-70	✓			
38065411000	1	Clamp cpl	✓			
56400860000	1	Locknut DIN 985-M6-A2-70 56400860000	✓			
56739060000	2	Washer DIN125-A-6-A2	✓			
38050013007	1	Bearing Pedestal	✓			
50005040000	2	Plain bearing w. flange 6x12x8x4	✓			
57743540000	1	Cylinder screw DIN912 M6x80-A2-70	✓			
56739060000	2	Washer DIN125-A-6-A2	✓			
56400860000	1	Locknut DIN 985-M6-A2-70 56400860000	✓			

Blades

38067777001

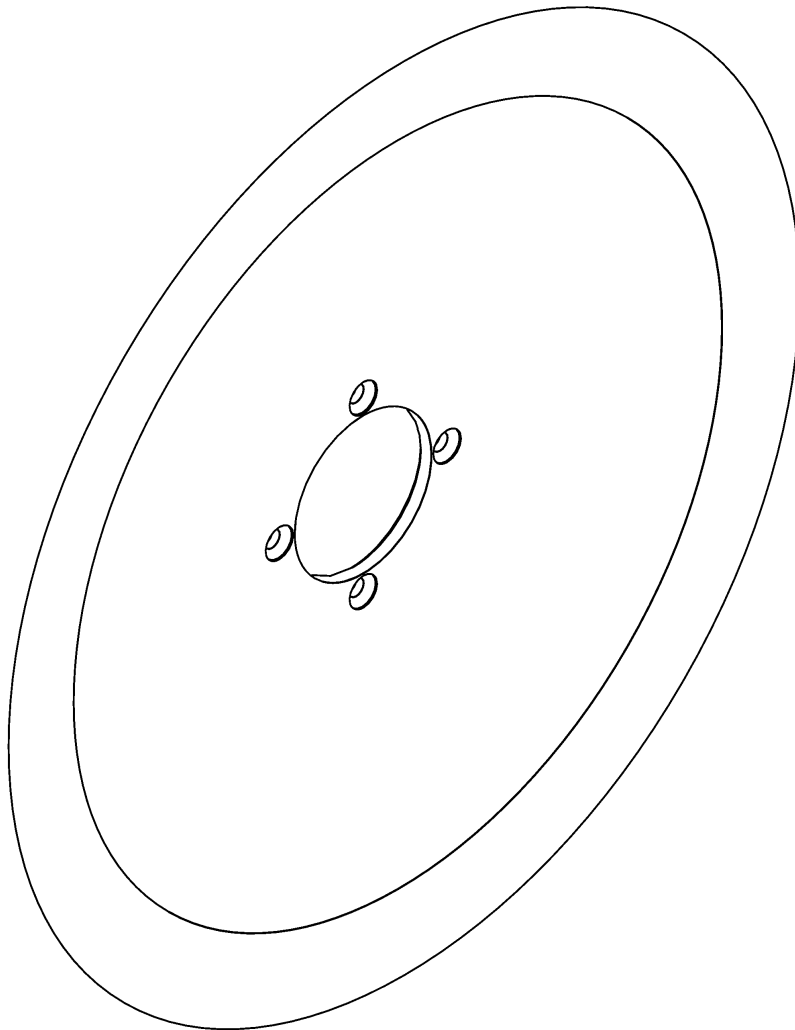


Blades

Material No.	Qty	Material description	available for order	Wear part	Recomm. sp. part	Metr. relevance
38067777001	1	Blade 330 C Slayer Service				

Blades

38080336000

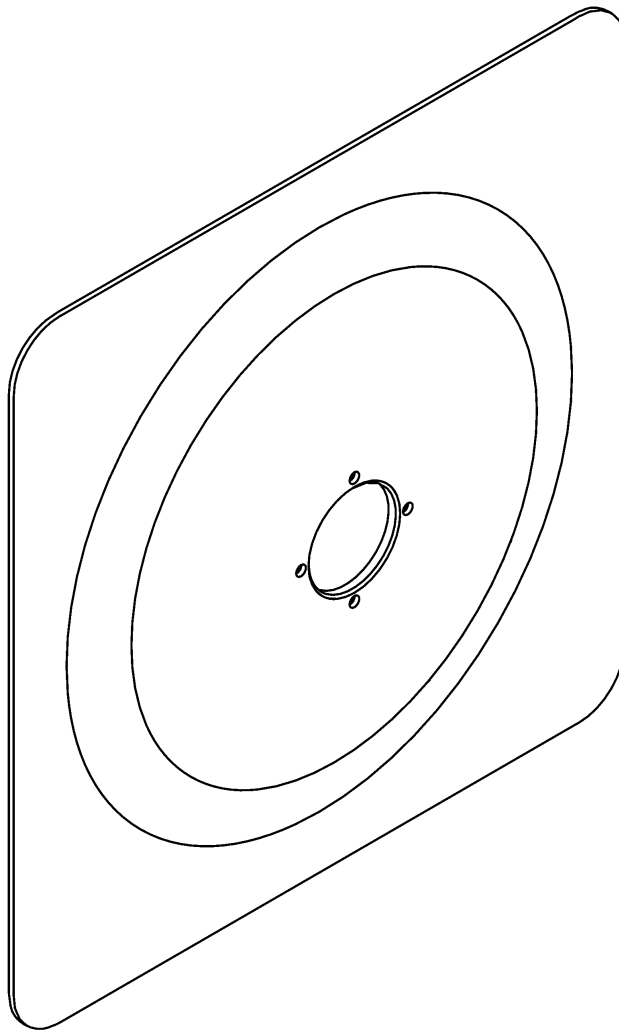


Blades

Material No.	Qty	Material description	available for order	Wear part	Recomm. sp. part	Metr. relevance
38080336000	1	Blade 330 Cr Chiaravalli Service				

Blades

38092188000

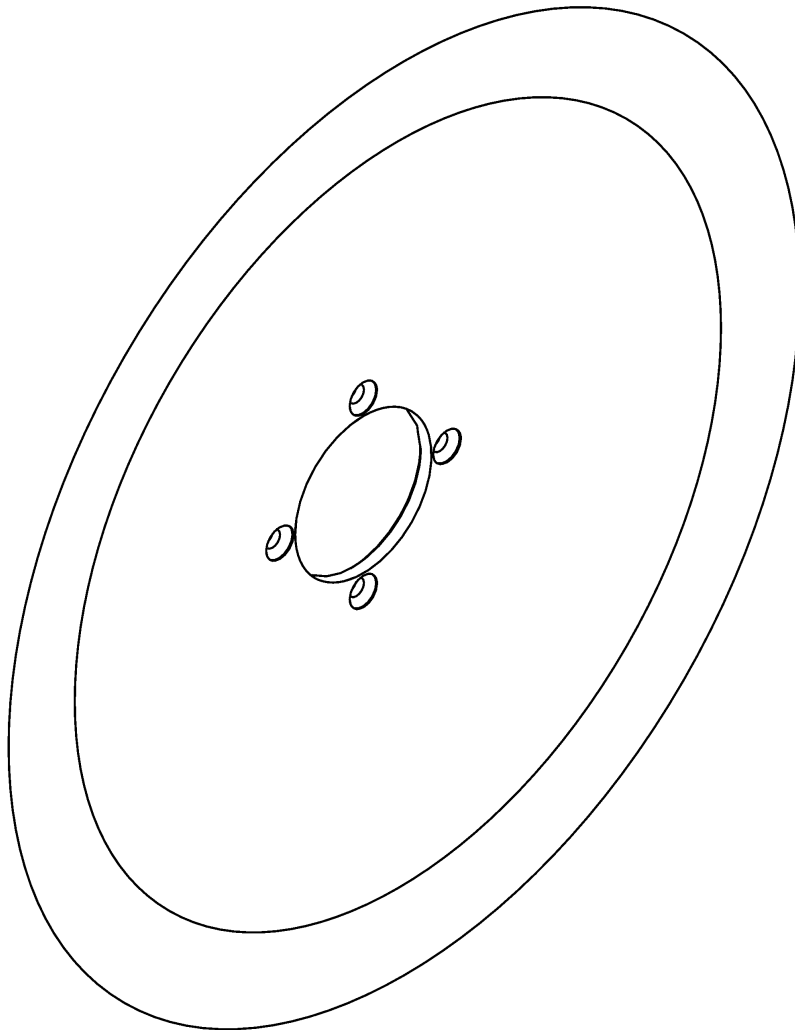


Blades

Material No.	Qty	Material description	available for order	Wear part	Recomm. sp. part	Metr. relevance
38092188000	1	Blade 330 Groove Cr G&B - Service	✓	✓	✓	

Blades

38111166000



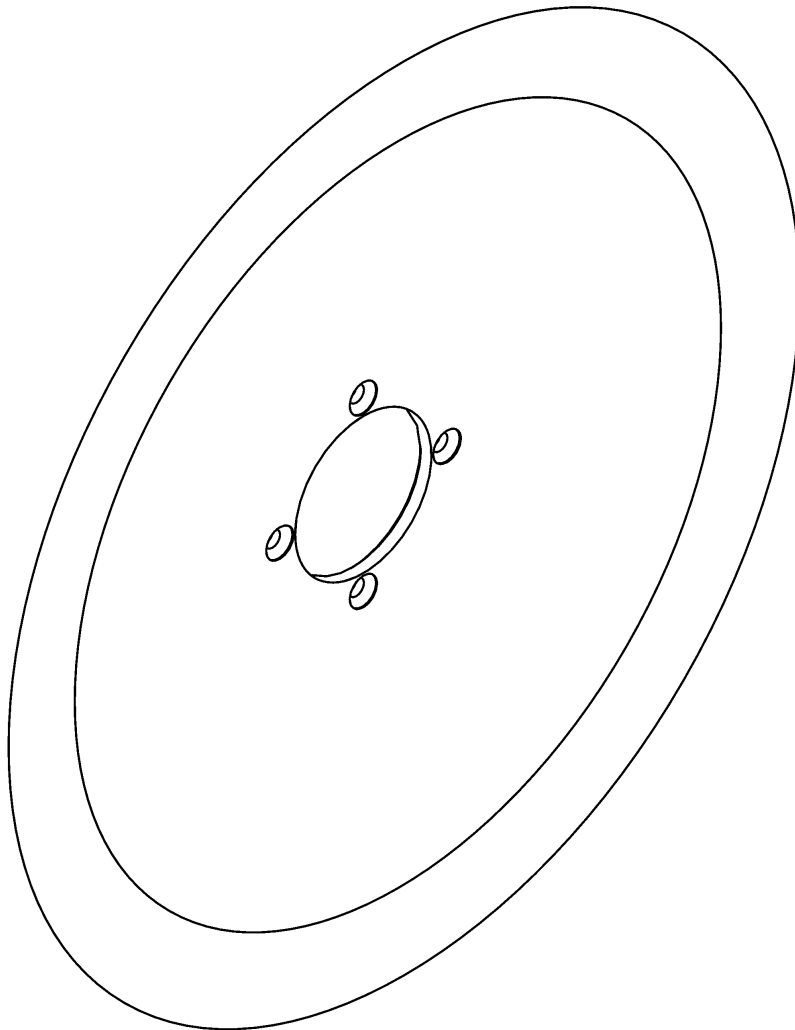
No use in Italy !!

Blades

Material No.	Qty	Material description	available for order	Wear part	Recomm. sp. part	Metr. relevance
38111166000	1	Blade 330 1.4034 HCov Slayer		✓	✓	

Blades

38111167000



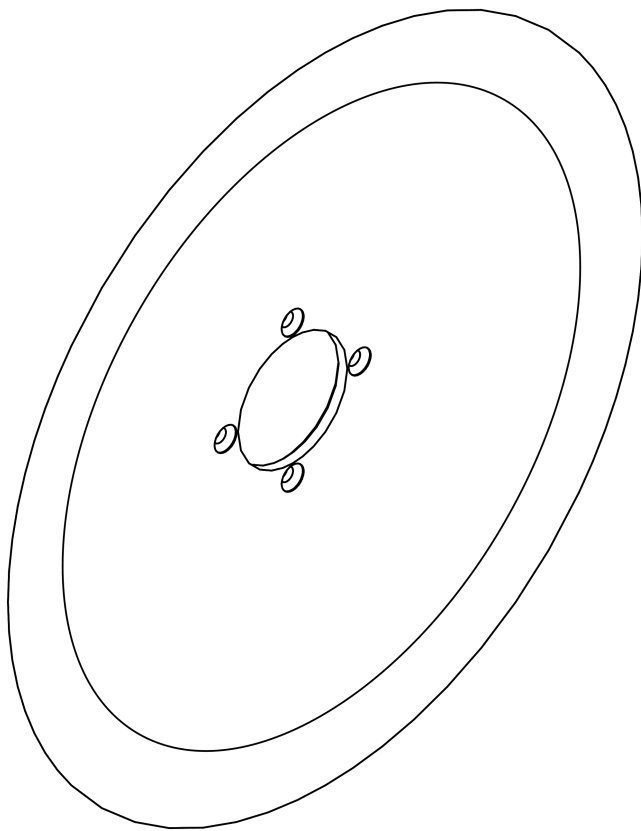
No use in Italy !!

Blades

Material No.	Qty	Material description	available for order	Wear part	Recomm. sp. part	Metr. relevance
38111167000	1	Blade 330 1.4034 HCov Slayer Service	✓	✓	✓	

Blades

40223507600



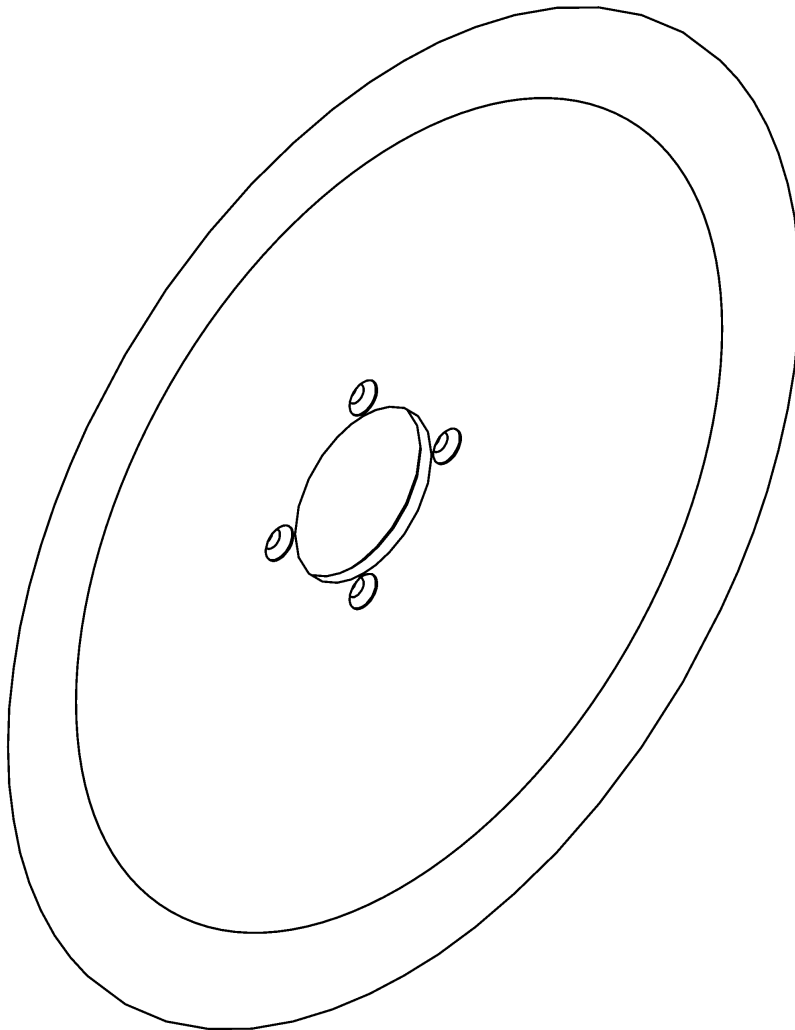
Blades

Material No. **Qty** **Material description**

available for order
Wear part
Recomm. sp. part
Metr. relevance

Blades

60530101500



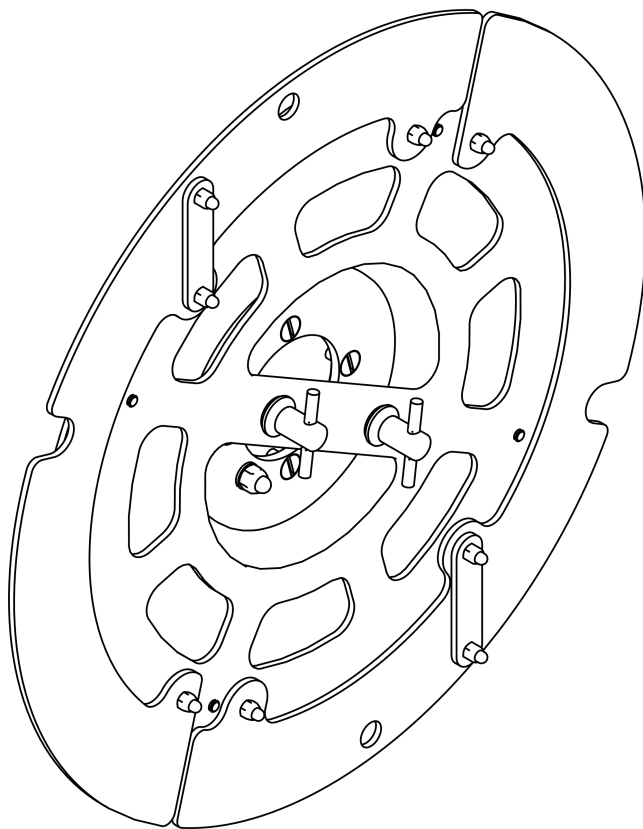
Blades

Material No.	Qty	Material description	available for order	Wear part	Recomm. sp. part	Metr. relevance
60530101500	1	Blade 330 Cr Slayer		✓	✓	

Blades + blade changing device



38103348002



Blades + blade changing device

Material No.	Qty	Material description
38103348002	1	Blade removal device 330 V2A

available for order

Wear part

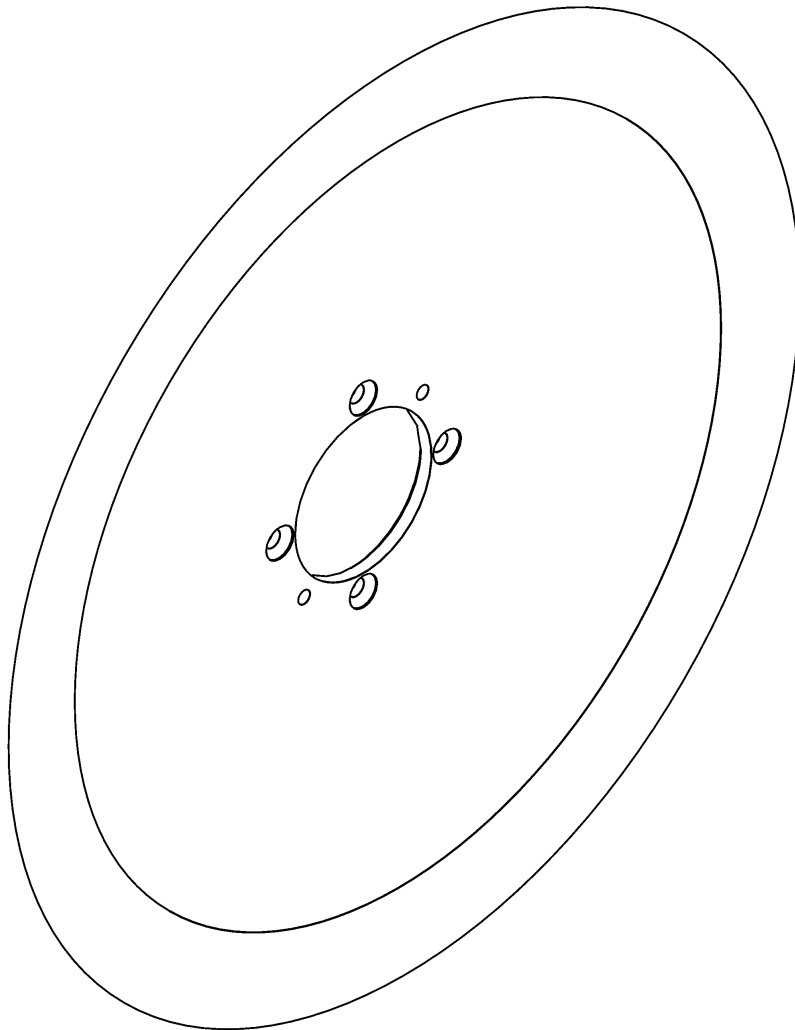
Recomm. sp. part

Metr. relevance



Blades + blade changing device

38105667001



No use in Italy !!

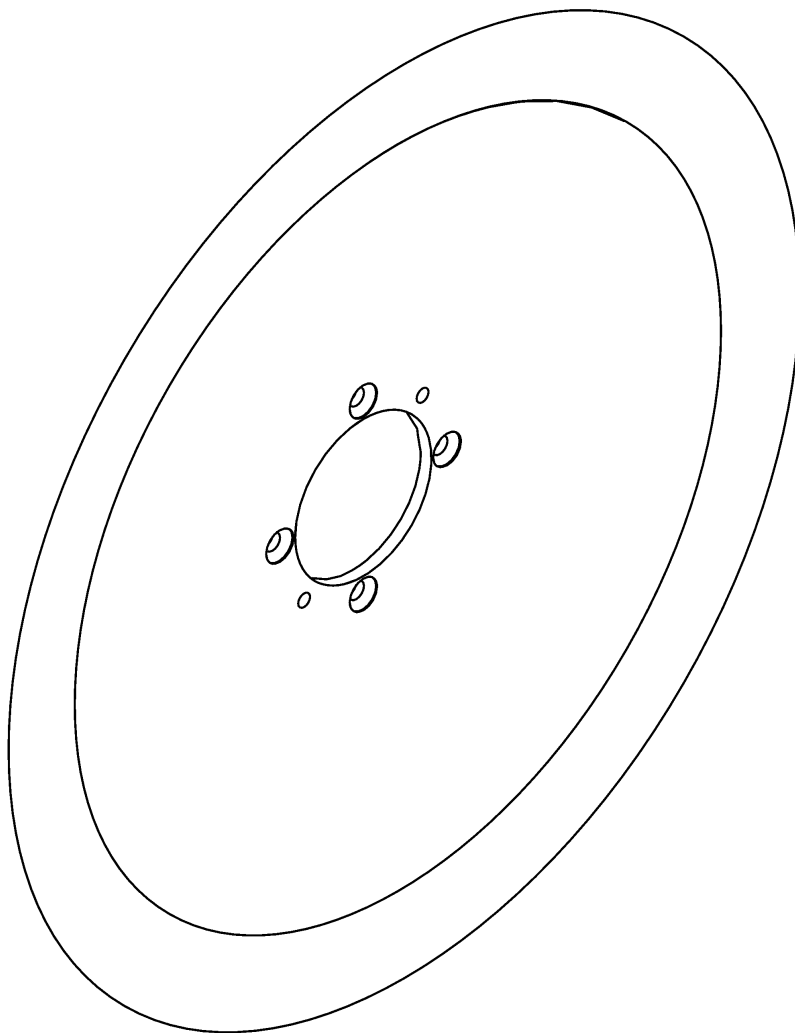
Blades + blade changing device

available for order
Wear part
Recomm. sp. part
Metr. relevance

Material No.	Qty	Material description
38105667001	1	Blade 330 1.4034 HCov 2M6 Slayer




Blades + blade changing device

38107971000



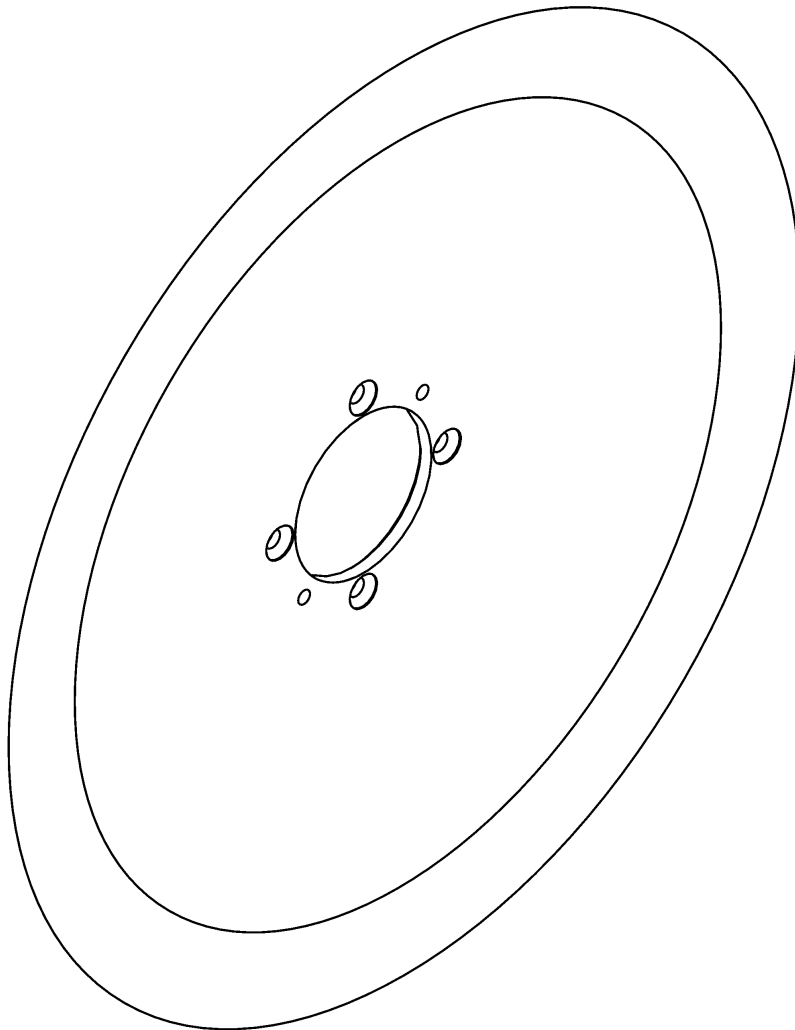
Blades + blade changing device

Material No.	Qty	Material description
38107971000	1	Blade 330 Cr HCov 2M6 Chiaravalli

available for order	Wear part	Recomm. sp. part	Metr. relevance
			

Blades + blade changing device

38111119000



No use in Italy !!

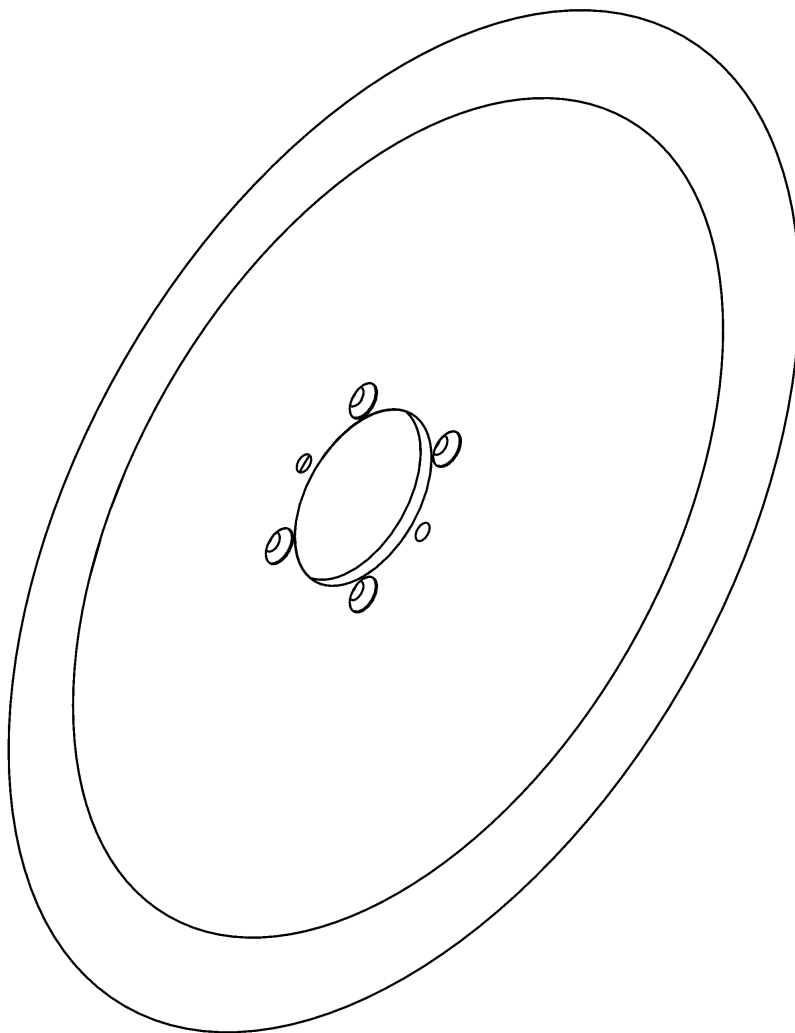
Blades + blade changing device

available for order
Wear part
Recomm. sp. part
Metr. relevance

Material No.	Qty	Material description
38111119000	1	Blade 330 1.4034 HCov 2M6 Slayer Service

Blades + blade changing device

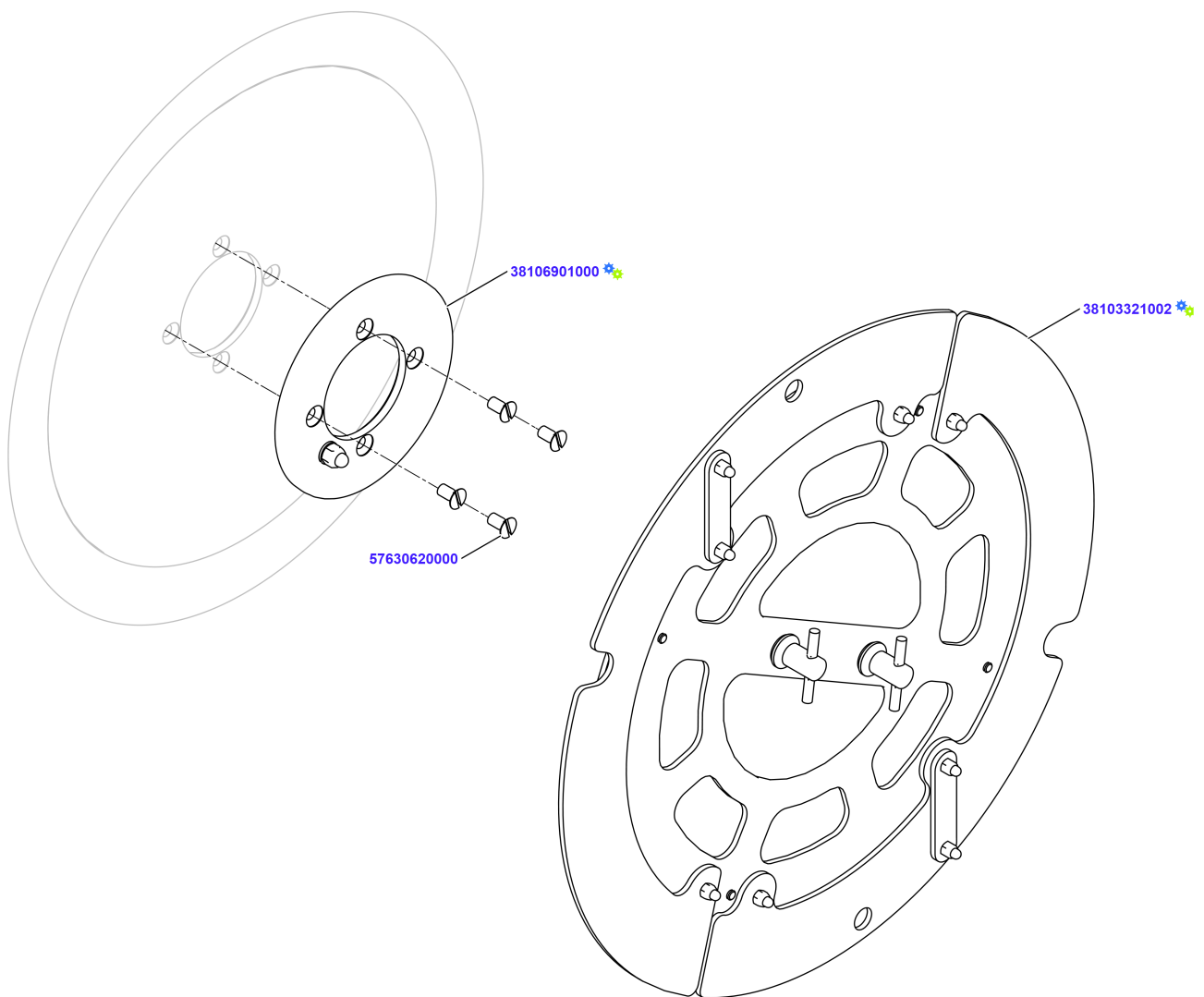
60530106000



Blades + blade changing device

Material No.	Qty	Material description	available for order	Wear part	Recomm. sp. part	Metr. relevance
60530106000	1	Blade 330 Cr 2xM6 G&B				















Blade removal device 330 V2A



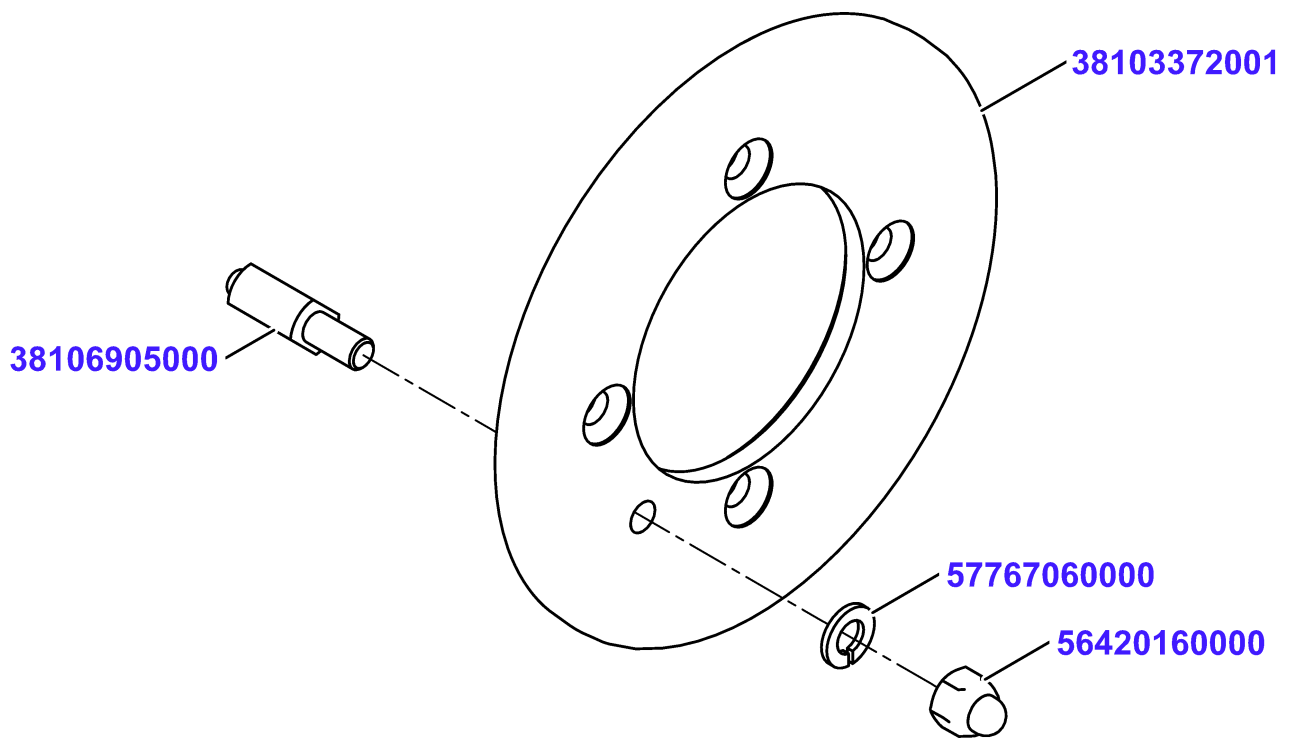
Blade removal device 330 V2A

Material No.	Qty	Material description	available for order	Wear part	Recomm. sp. part	Metr. relevance
38103321002	1	Blade Removal Device preassembled	✓			
38106901000	1	Cover preassembled	✓			
57630620000	4	Countersunk screw DIN963 M6x12-A2-70	✓			

Blade Removal Device preassembled

Material No.	Qty	Material description	available for order	Wear part	Recomm. sp. part	Metr. relevance
38103323001	1	Safety Disk 331,5x3				
38025716000	4	stop pin				
38025717003	2	Blade Removing Bolt preassembled				
95972840002	0,002	Kleber Loctite 648 10ml. 95972840002_1				
56444600000	2	Hexagon Nut DIN 439-BM6-A2-70				
56456600000	2	Hexagon nut DIN934-M6-A2				
65016000132	4	Washer DIN125-A-8-PA6				
38105330002	2	Ring Plate				
56972540000	4	Mushroom head screw M4x10-A2-70				
38101899000	4	Cap nut DIN986-M4-A2				
38106967000	2	Distance Plate				
57630430000	2	Countersunk Screw DIN 963-M4x10-A2-70				
38101899000	4	Cap nut DIN986-M4-A2				
56972500000	2	Mushroom head screw M4x12-A2-70				

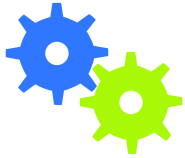
Cover preassembled



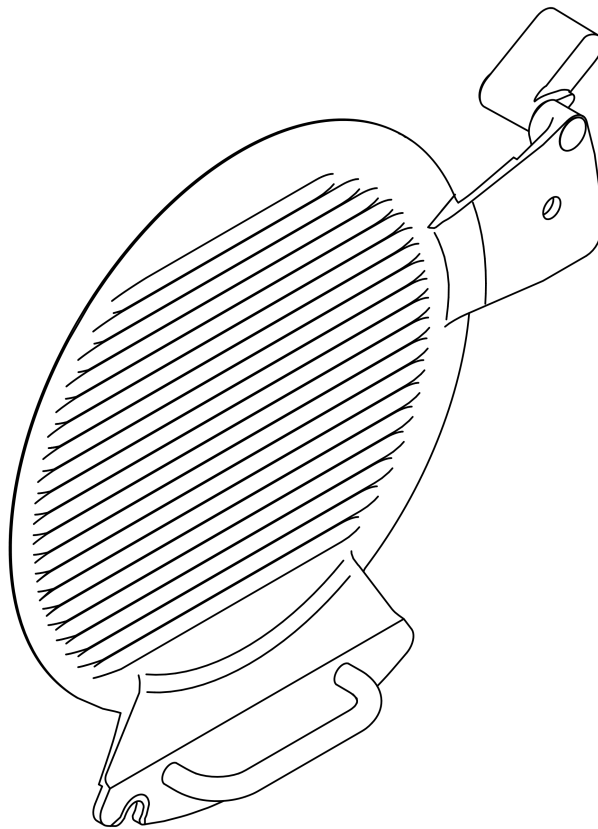
Cover preassembled

Material No.	Qty	Material description	available for order	Wear part	Recomm. sp. part	Metr. relevance
38103372001	1	Cover				
38106905000	1	Centering Pin				
56420160000	1	Cap nut DIN986-M6-A2				
57767060000	1	Spring lock washer DIN128-A6-FSt				

Blade cover



38064576005



Blade cover

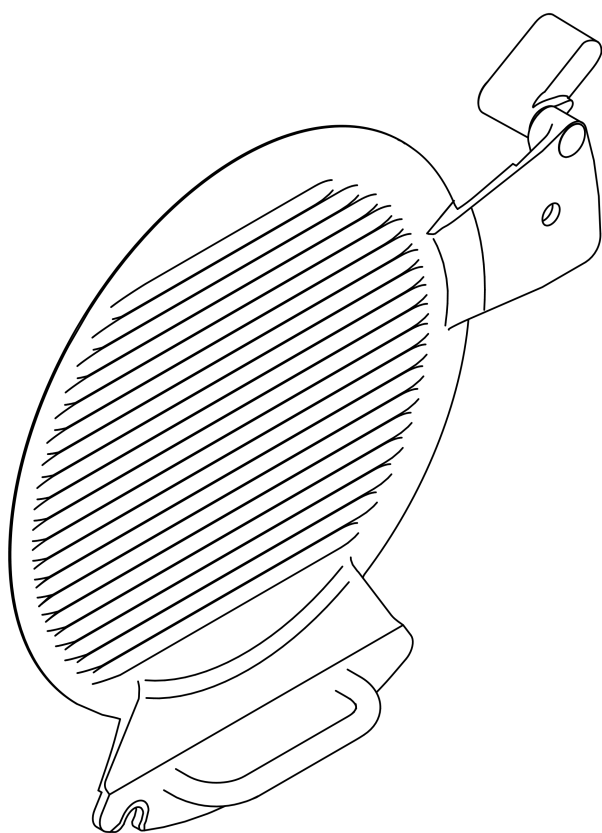
available for order
Wear part
Recomm. sp. part
Metr. relevance

Material No.	Qty	Material description
38064576005	1	Blade cover cpl.

Blade cover



38064577003



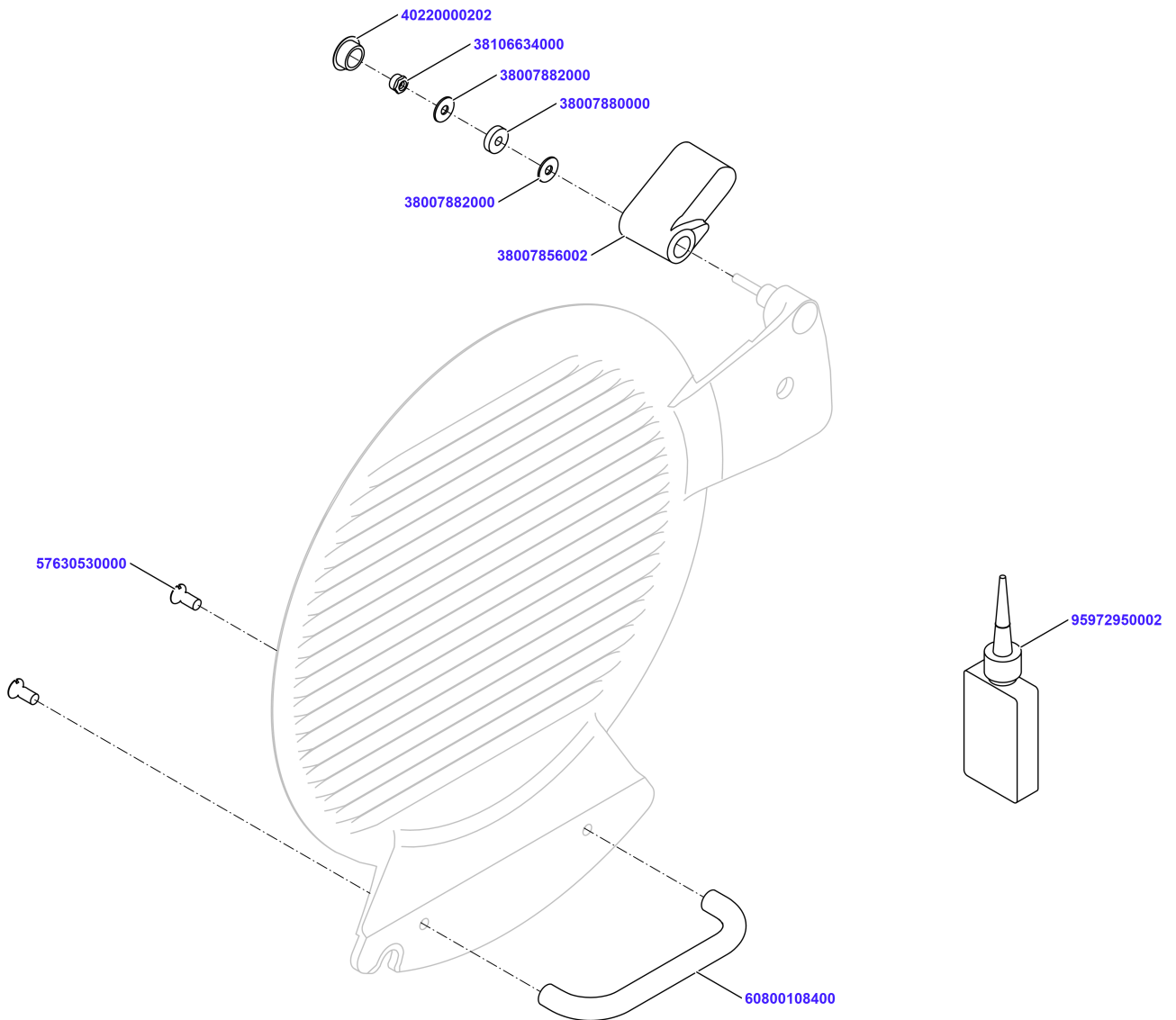
Blade cover

Material No. **Qty** **Material description**

[38064577003](#) 1 Blade cover cpl. C

available for order
Wear part
Recomm. sp. part
Metr. relevance

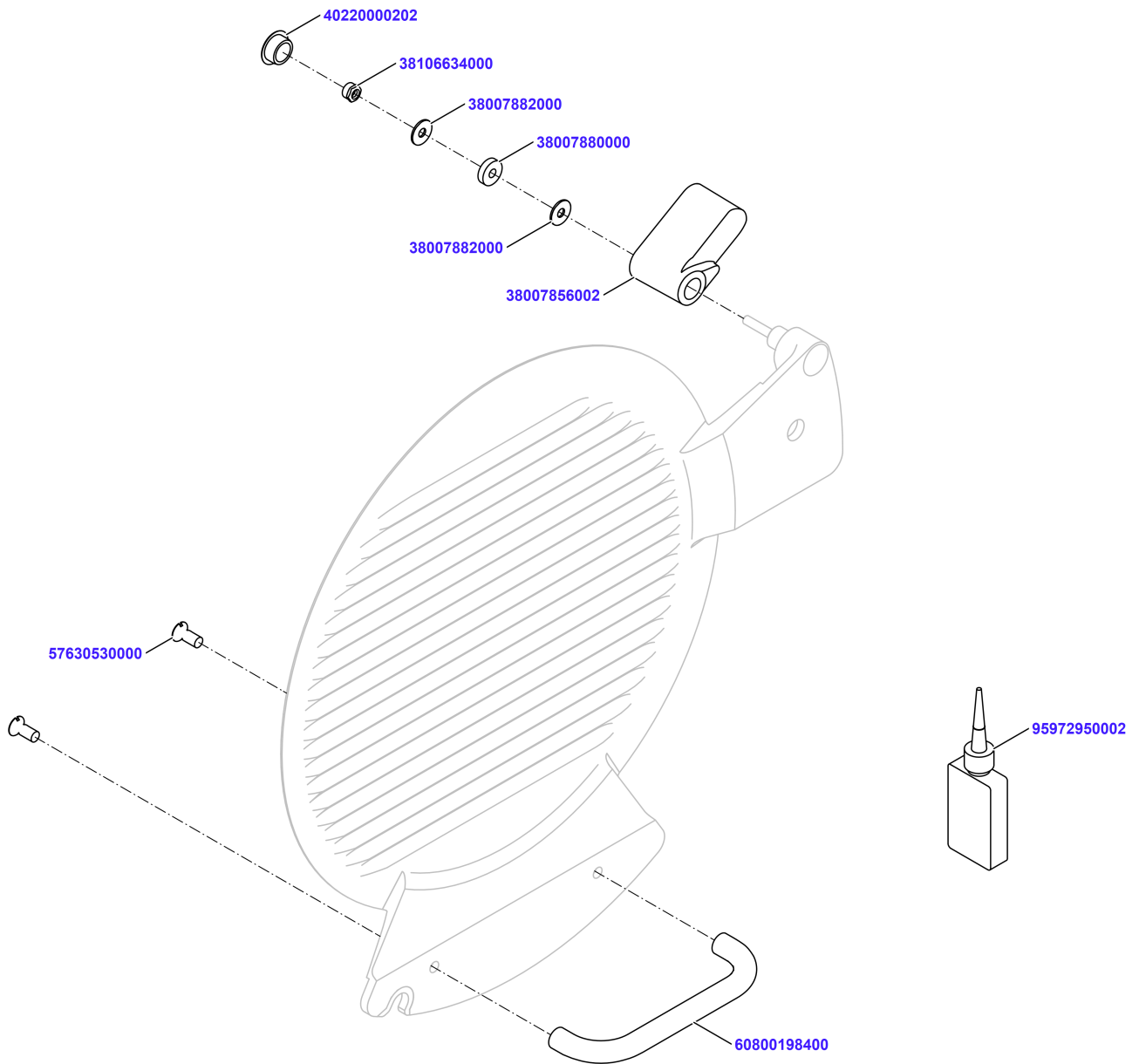
Blade cover cpl.



Blade cover cpl.

Material No.	Qty	Material description	available for order	Wear part	Recomm. sp. part	Metr. relevance
38007856002	1	Latch 17x50,5x30,4				
38007880000	1	washer				
38007882000	2	thrust washer				
38106634000	1	Lock Nut ISO 10511-M4-A4-70 38106634000				
40220000202	1	Plug Black 16x6,5x12,2 Knurled				
60800108400	1	BRACKET HANDLE 100XM5				
57630530000	2	Countersunk Screw DIN963 M5x12-A2-70				
95972950002	0,001	Loctite 243 50 ml 95972950002				

Blade cover cpl. C



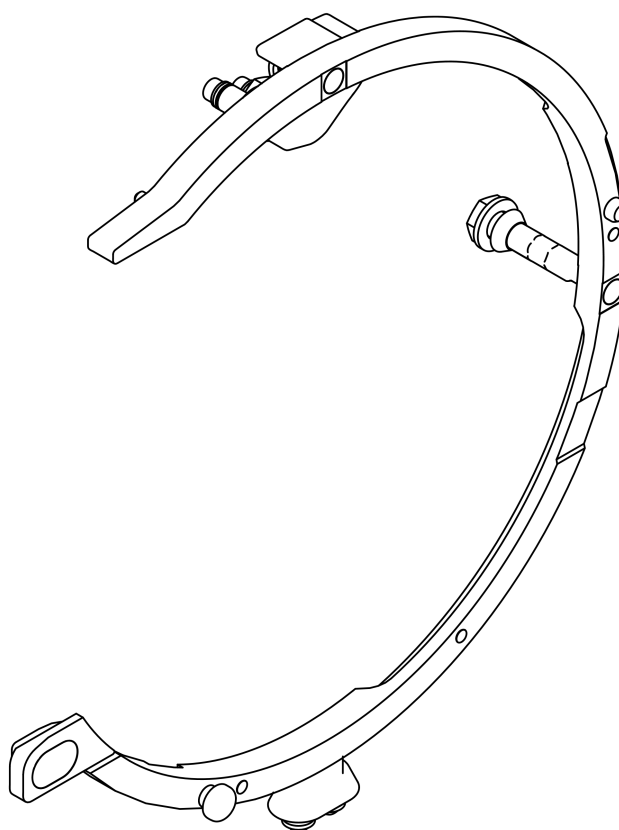
Blade cover cpl. C

Material No.	Qty	Material description	available for order	Wear part	Recomm. sp. part	Metr. relevance
38007856002	1	Latch 17x50,5x30,4				
38007880000	1	washer				
38007882000	2	thrust washer				
38106634000	1	Lock Nut ISO 10511-M4-A4-70 38106634000				
40220000202	1	Plug Black 16x6,5x12,2 Knurled				
60800198400	1	Bracket handle C 100 x 32 x 10				
57630530000	2	Countersunk Screw DIN963 M5x12-A2-70				
95972950002	0,001	Loctite 243 50 ml 95972950002				

Blade guard ring+deflector



38015649004



Blade guard ring+deflector

Material No. **Qty** **Material description**

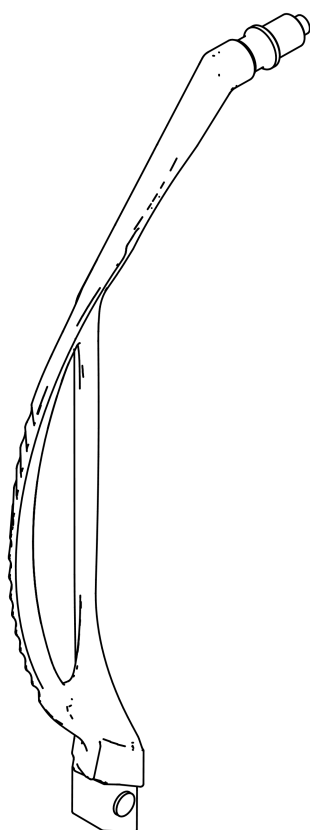
[38015649004](#) 1 Blade Guard Ring cpl

available for order
Wear part
Recomm. sp. part
Metr. relevance

Blade guard ring+deflector



38081300001

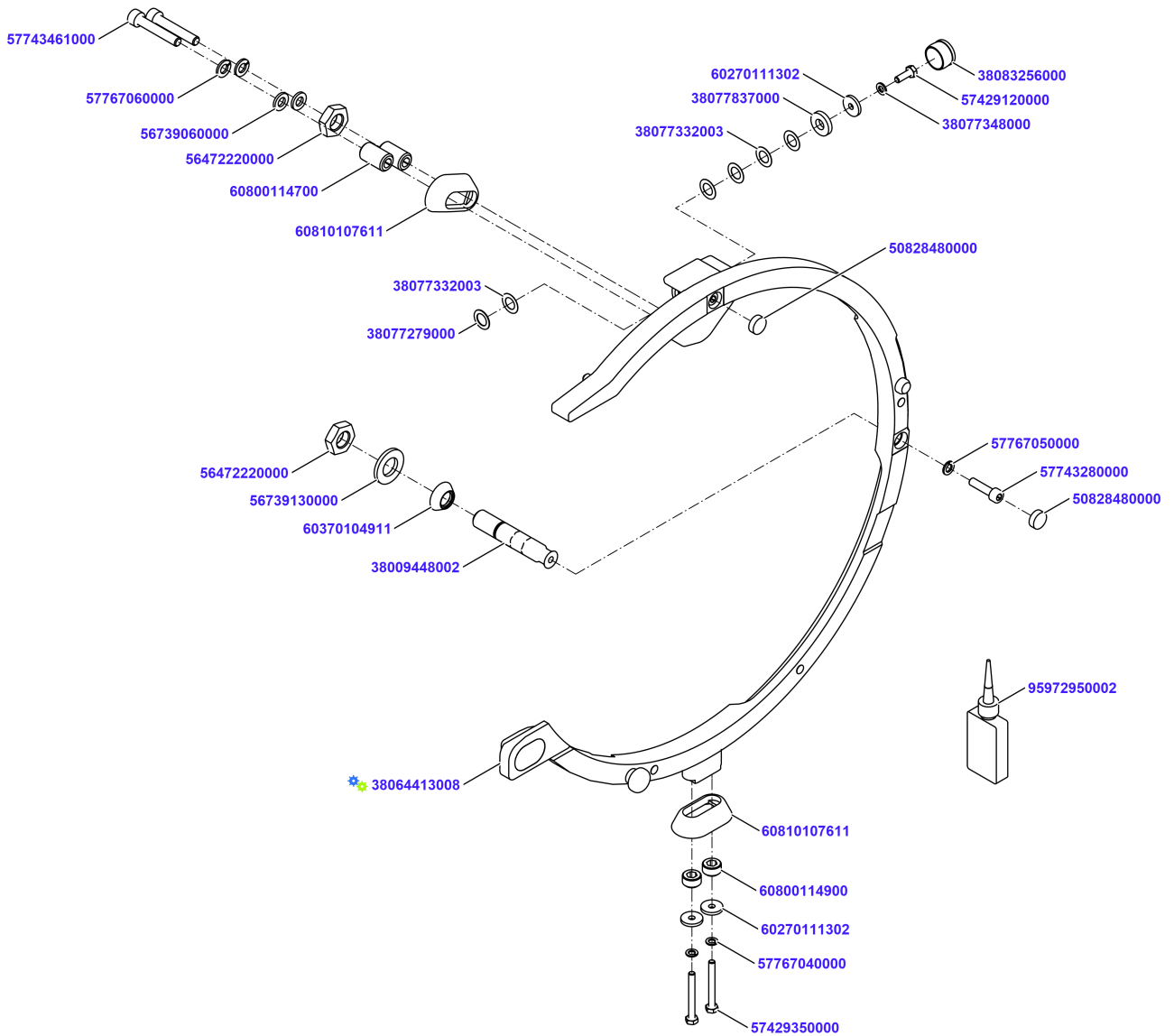


Blade guard ring+deflector

available for order
Wear part
Recomm. sp. part
Metr. relevance

Material No.	Qty	Material description
38081300001	1	Deflector preass

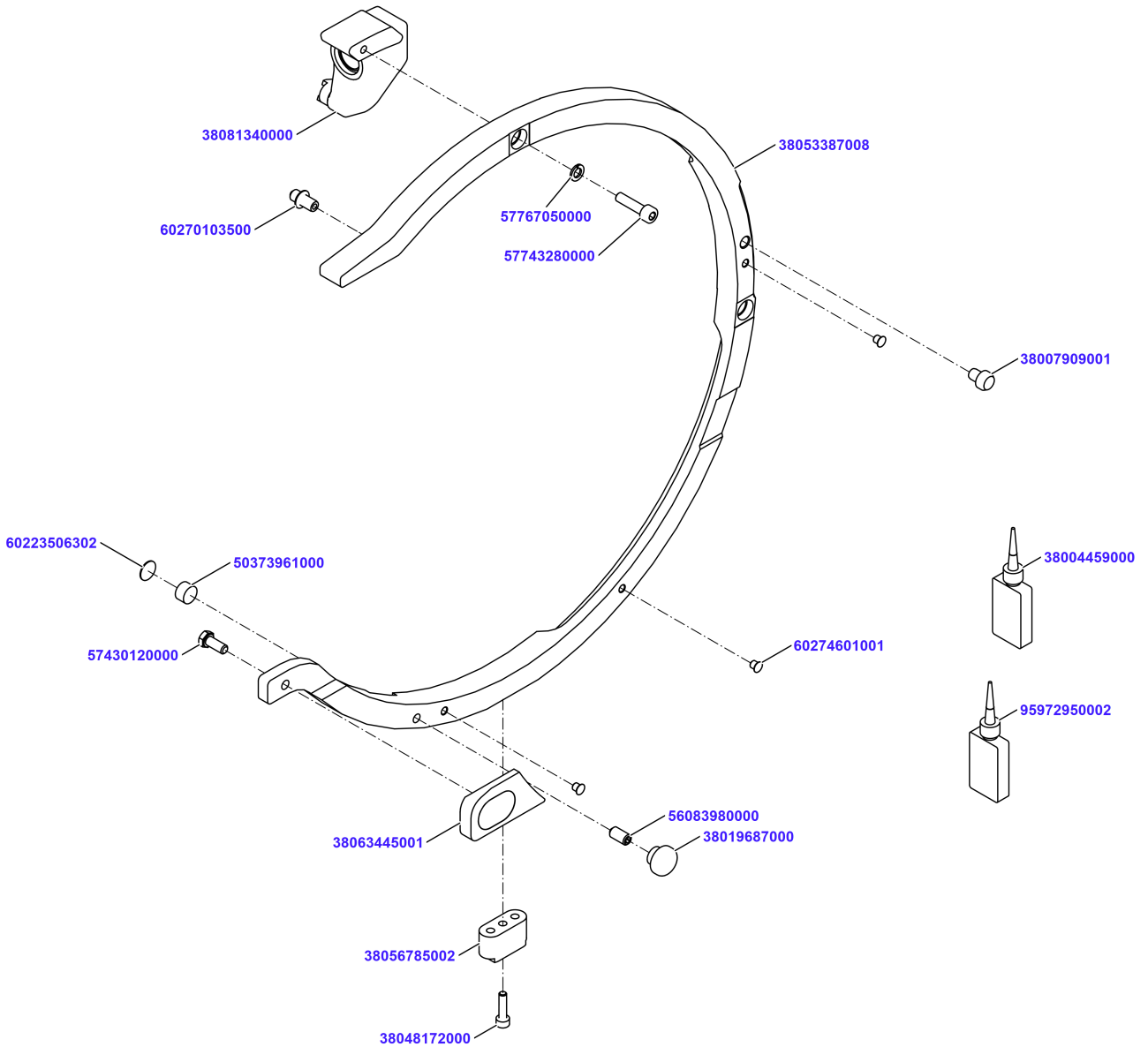
Blade Guard Ring cpl




















Blade Guard Ring cpl

Material No.	Qty	Material description	available for order	Wear part	Recomm. sp. part	Metr. relevance
60800114700	2	set screw	✓			
56472220000	1	Hexagon nut DIN439-M12x1-A2	✓			
60810107611	1	Sealing	✓		✓	
57743461000	2	Cylinder screw DIN912 M6x35-A2-70	✓			
56739060000	2	Washer DIN125-A-6-A2	✓			
57767060000	2	Spring lock washer DIN128-A6-FSt	✓			
38009448002	1	Spacer sleeve	✓			
60370104911	1	Sealing	✓		✓	
56472220000	1	Hexagon nut DIN439-M12x1-A2	✓			
56739130000	1	Washer DIN125-A-12-A2	✓			
60800114900	2	Adjusting ring	✓			
60810107611	1	Sealing	✓		✓	
38064413008	1	Blade Guard Ring preass	✓			
57429350000	2	Hexagon Screw DIN 933-M4x35-A2-70	✓			
60270111302	2	Washer	✓			
57767040000	2	Spring lock washer DIN128-A4-FSt	✓			
50828480000	1	Protective Plug 11.12249 PE-LD	✓			
57743280000	1	Cylinder screw DIN912 M5x20-A2-70	✓			
57767050000	1	Spring lock washer DIN128-A5-FSt	✓			
50828480000	1	Protective Plug 11.12249 PE-LD	✓			
38077332003	1	Thrusted washer 13,8x8,2x0,18	✓			
38077279000	1	Disk	✓			
38077332003	4	Thrusted washer 13,8x8,2x0,18	✓			
38077837000	1	Brake Pulley	✓			
60270111302	1	Washer	✓			
38077348000	1	Disk	✓			
56739040000	1	Washer DIN 125-A 4.3-A2-70 56739040000	✓			
57429120000	1	Hexagon Screw DIN 933-M4x12-A-70	✓			
95972950002	0,001	Loctite 243 50 ml 95972950002	✓			
38083256000	1	Protective plug 17,1x16,2x8-PE	✓			

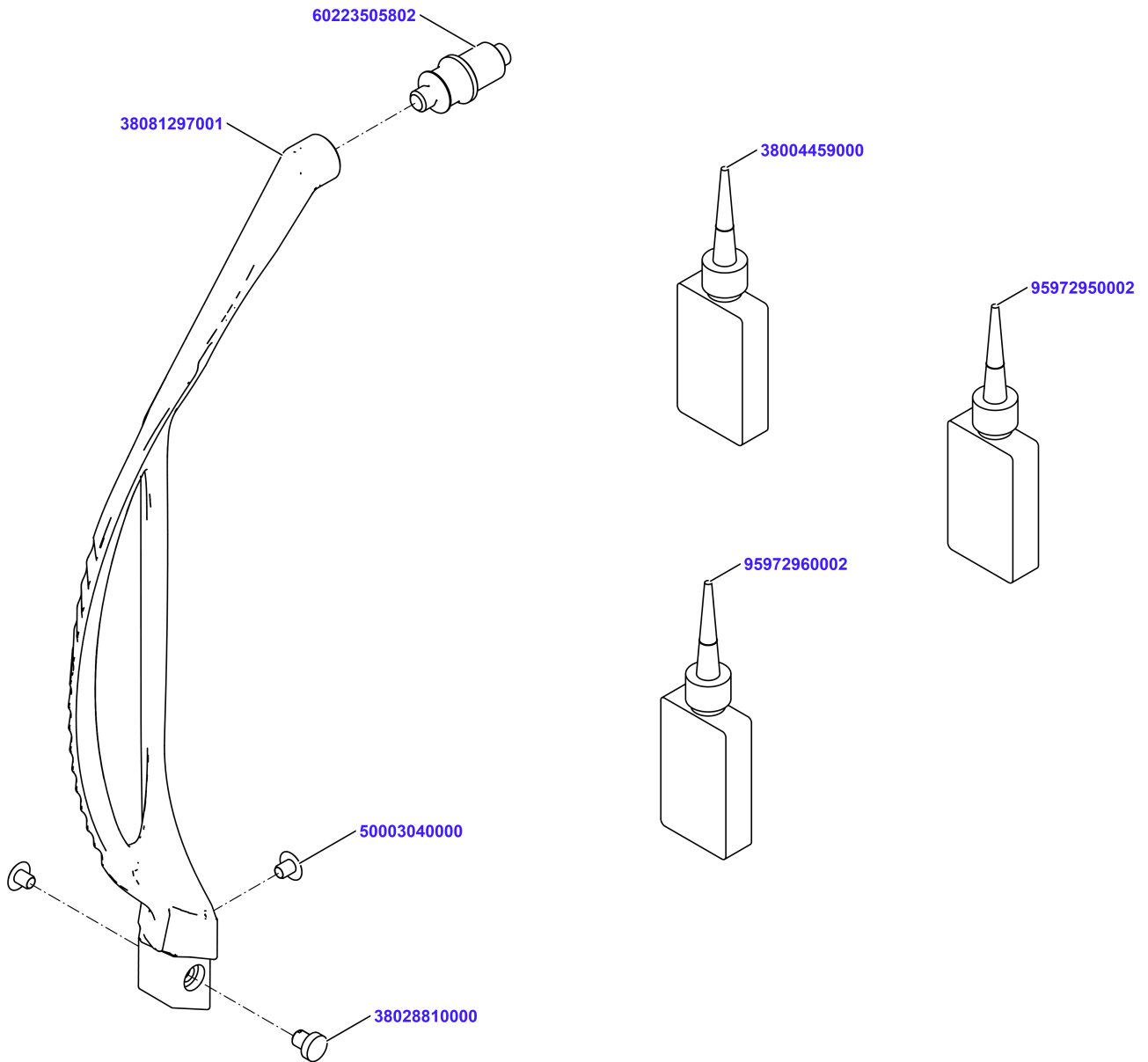
Blade Guard Ring preass



Blade Guard Ring preass

Material No.	Qty	Material description	available for order	Wear part	Recomm. sp. part	Metr. relevance
38053387008	1	Blade Guard Ring				
38063445001	1	Product supporter cpl				
57430120000	1	Hexagon Screw DIN 933-M5x12-A2-70				
95972950002	0,001	Loctite 243 50 ml 95972950002				
38019687000	1	Location bolt HD 16x10,9 K				
56083980000	1	Set screw DIN916 M6x12-A2-70				
38004459000	0,001	Loctite 648				
38007909001	1	Fixing bolt				
60274601001	3	Bolt PA - 4,1x4,5				
60270103500	1	pin				
50373961000	1	Disc magnet 10x6				
60223506302	1	cover 11x0,5				
38056785002	1	Support bottom				
38048172000	1	Cylinder screw ISO14579 M4x16-A2-70-T20				
38081340000	1	Mounting preass				
57767050000	1	Spring lock washer DIN128-A5-FSt				
57743280000	1	Cylinder screw DIN912 M5x20-A2-70				

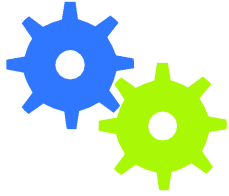
Deflector preass



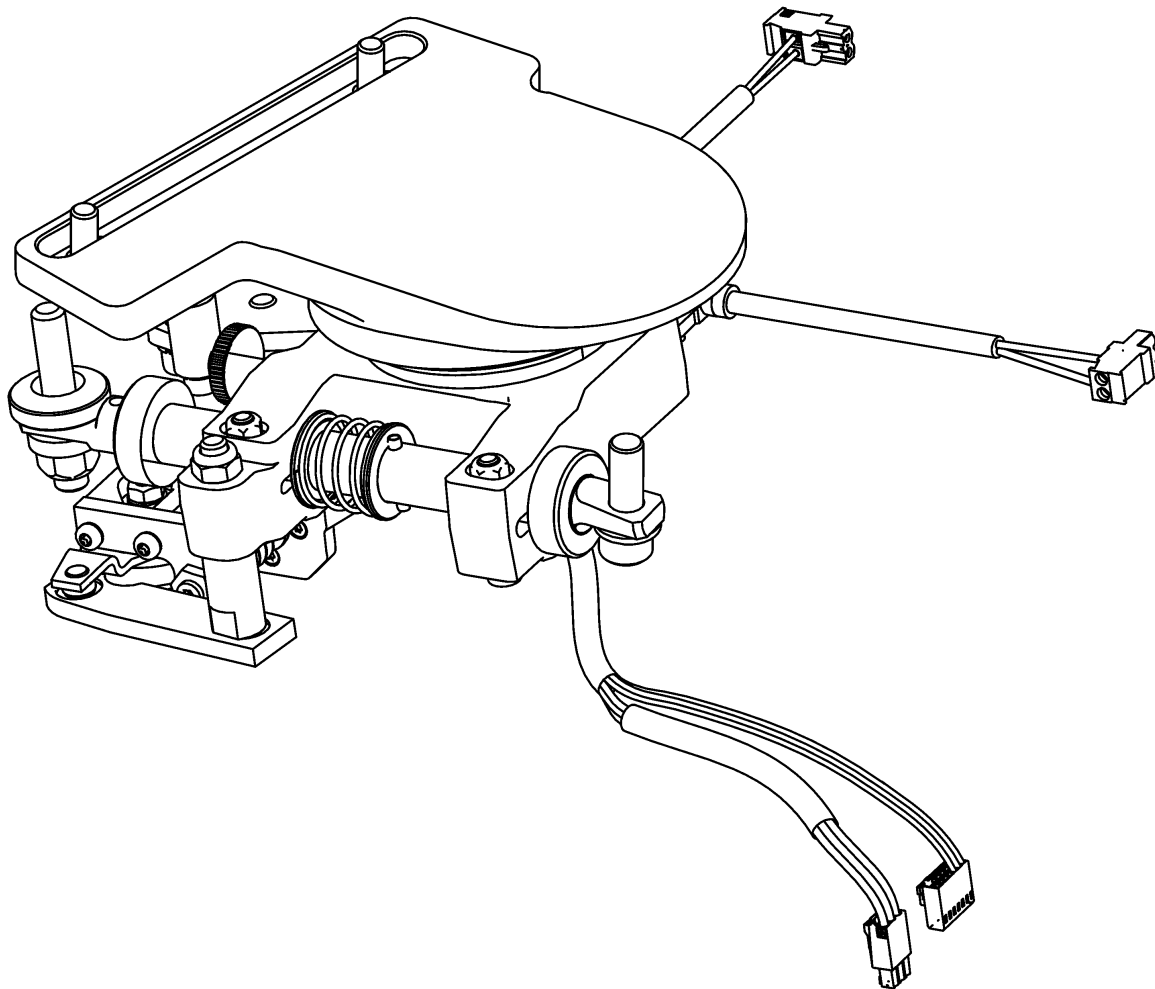
Deflector preass

Material No.	Qty	Material description	available for order	Wear part	Recomm. sp. part	Metr. relevance
38081297001	1	Deflector 330 VSI machined	✓			
60223505802	1	Bearing Bolt	✓			
38004459000	0,001	Loctite 648	✓			
95972960002	0,001	Loctite 7649 500ml	✓			
38028810000	1	adjusting bolt	✓			
95972950002	0,001	Loctite 243 50 ml 95972950002	✓			
50003040000	2	Protective plug 11x5x6-PE	✓		✓	

Gauge plate drive



38064470008



Gauge plate drive

Material No.	Qty	Material description
38064470008	1	Gauge plate drive VSI cpl

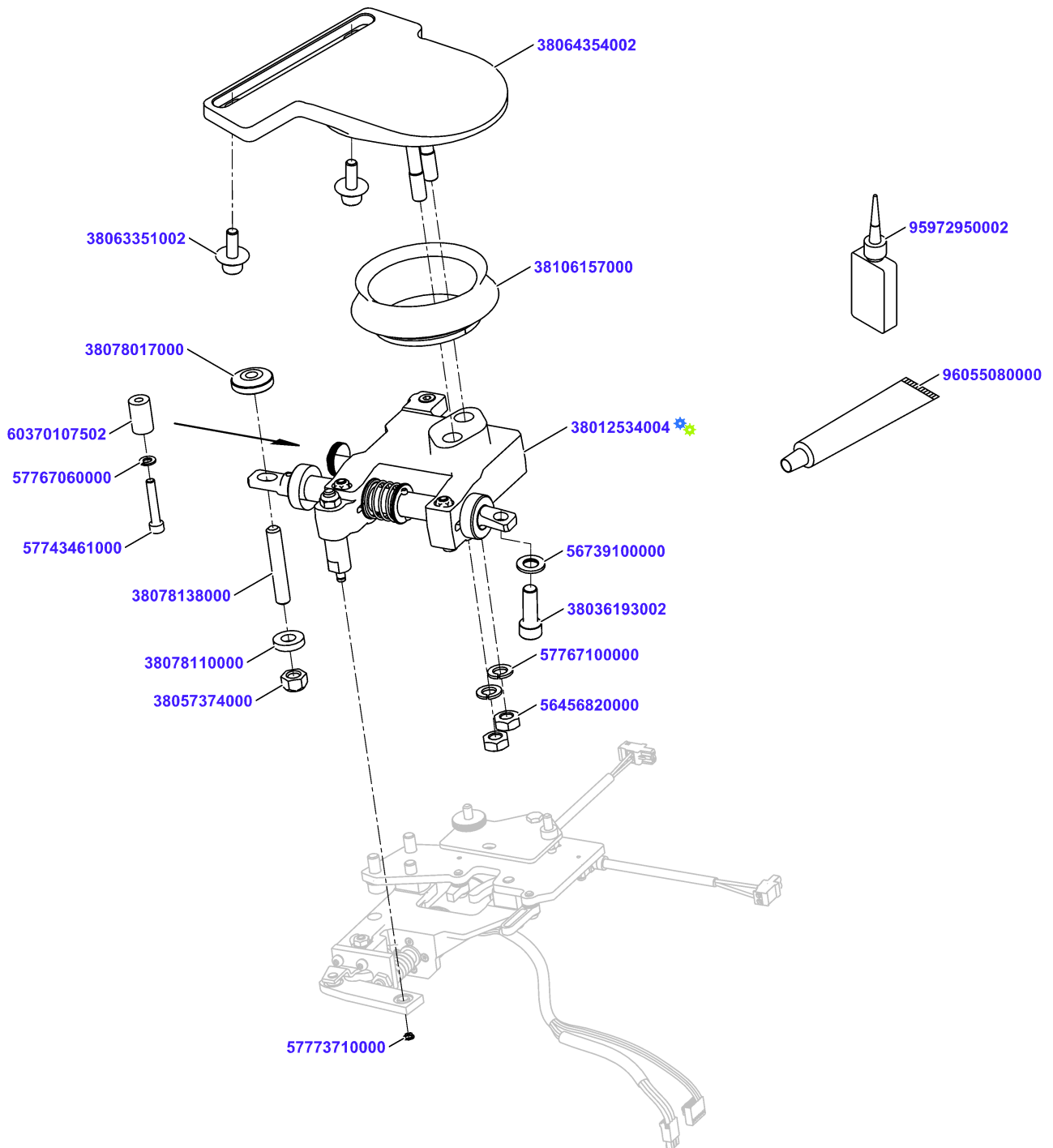
available for order

Wear part

Recomm. sp. part

Metr. relevance

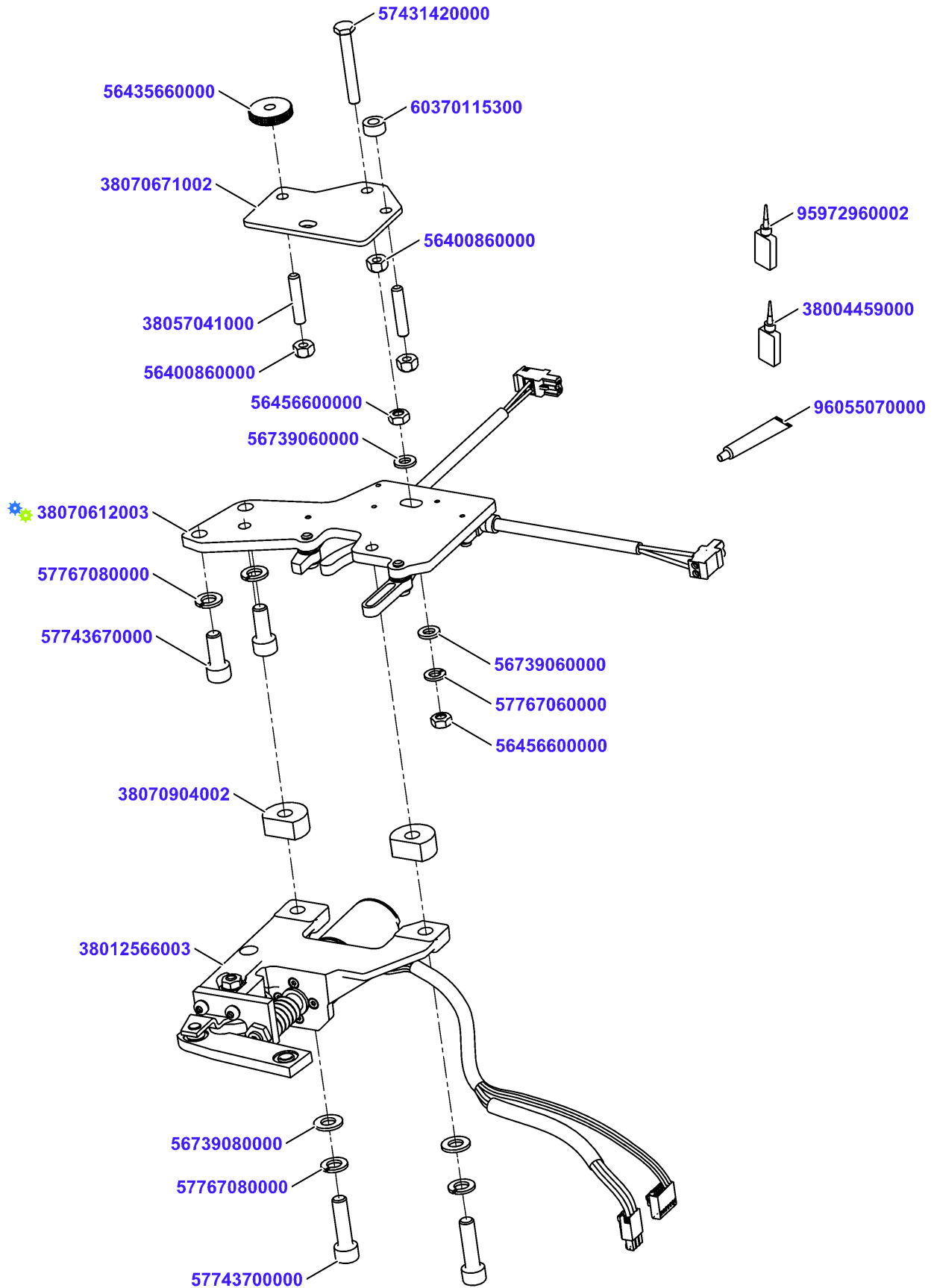
Gauge plate drive VSI cpl



Gauge plate drive VSI cpl

Material No.	Qty	Material description	available for order	Wear part	Recomm. sp. part	Metr. relevance
38078138000	1	Set screw ISO4026 M10x60	✓			
38078017000	1	Knurled Nut M10	✓			
60370107502	1	Spacer 24x15x6	✓			
57743461000	1	Cylinder screw DIN912 M6x35-A2-70	✓			
57767060000	1	Spring lock washer DIN128-A6-FSt	✓			
38064354002	1	Gauge plate base preass	✓			
38106157000	1	Sealing Gauge Plate with Stiffening Ring	✓		✓	
96055080000	0,001	Kluebersynth UH1 64-62/25kg	✓			
38012534004	1	Bearing bracket cpl	✓			
38078110000	1	Washer	✓			
38057374000	1	Hexagon nut ISO7042-M10-St	✓			
38036193002	1	Cylinder screw DIN912 M10x30-A2-70	✓			
56739100000	1	Washer DIN125-A-10-A2	✓			
95972950002	0,001	Loctite 243 50 ml 95972950002	✓			
56456820000	2	Hexagon nut DIN934-M10-A2	✓			
56739100000	2	Washer DIN125-A-10-A2	✓			
57767100000	2	Spring lock washer DIN128-A10-FSt	✓			
57767060000	1	Spring lock washer DIN128-A6-FSt	✓			
57773710000	1	Retaining ring DIN471-6x0,7	✓			
38063351002	2	Screw	✓			

Gauge plate drive VSI cpl



Gauge plate drive VSI cpl

Material No.	Qty	Material description	available for order	Wear part	Recomm. sp. part	Metr. relevance
95972960002	0,001	Loctite 7649 500ml	✓			
38004459000	0,001	Loctite 648	✓			
56435660000	1	Knurled nut DIN467-M6-A2	✓			
57767060000	1	Spring lock washer DIN128-A6-FSt	✓			
38070671002	1	Support rail	✓			
96055070000	0,001	Grease PARALIQ GA 343	✓			
60370115300	1	Spacer ring	✓			
56400860000	2	Locknut DIN 985-M6-A2-70 56400860000	✓			
56400860000	1	Locknut DIN 985-M6-A2-70 56400860000	✓			
38070612003	1	Beam preass	✓			
57743670000	2	Cylinder screw DIN912 M8x20-A2-70	✓			
57767080000	2	Spring lock washer DIN128-A8-A2	✓			
56456600000	2	Hexagon nut DIN934-M6-A2	✓			
56739060000	2	Washer DIN125-A-6-A2	✓			
57767060000	1	Spring lock washer DIN128-A6-FSt	✓			
38012566003	1	Motoric Slicing Thickness Adjustment VSI	✓		✓	
38070904002	2	Spacer	✓			
57743700000	2	Cylinder screw DIN912 M8x30-A2-70	✓			
56739080000	2	Washer DIN125-A-8-A2	✓			
57767080000	2	Spring lock washer DIN128-A8-A2	✓			
38057041000	2	Set screw ISO4026 M6x30-A2-70	✓			

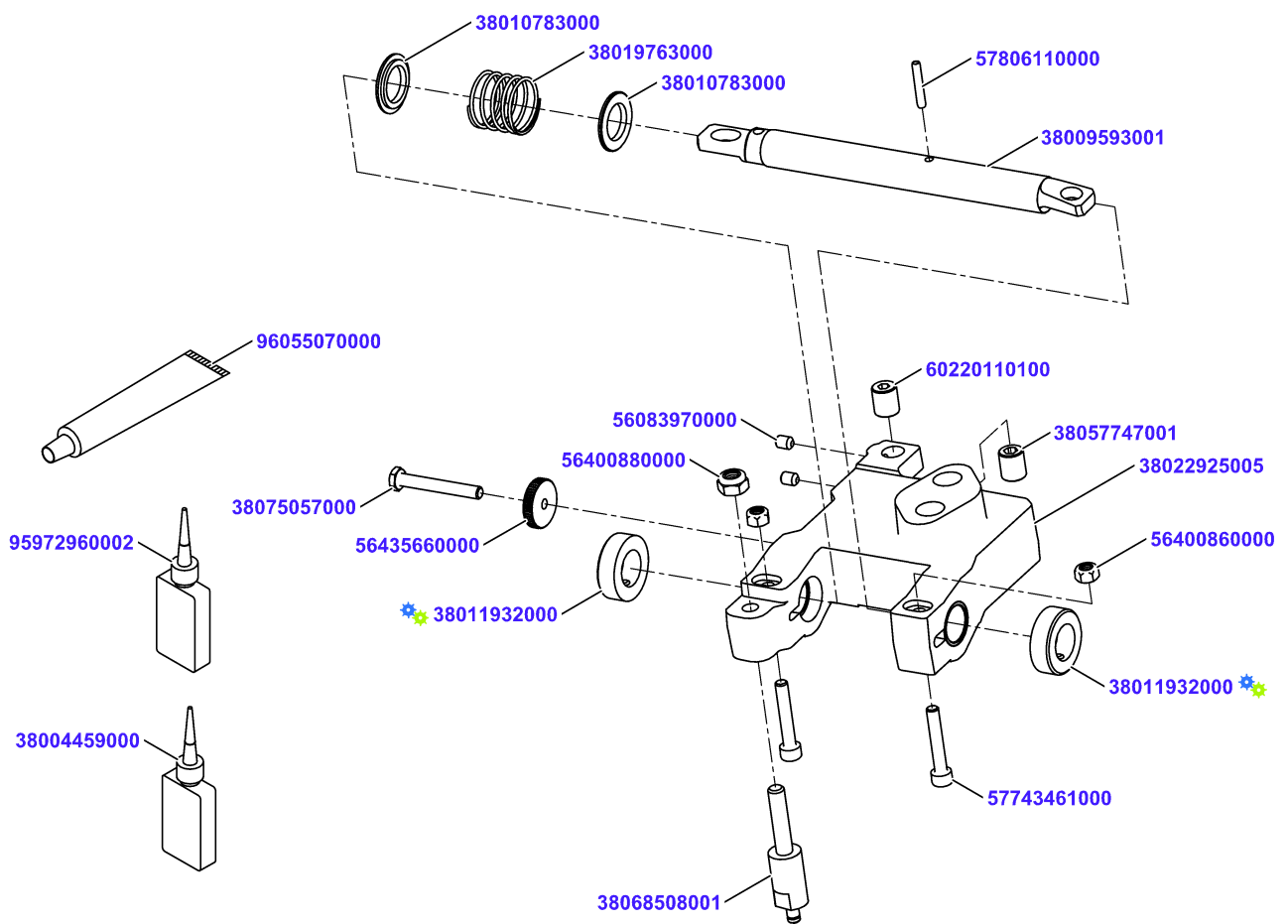
Gauge plate drive VSI cpl

Gauge plate drive VSI cpl

Material No.	Qty	Material description
38075057000	1	Hexagon Screw DIN 933 M6x45-A2-70

available for order
Wear part
Recomm. sp. part
Metr. relevance

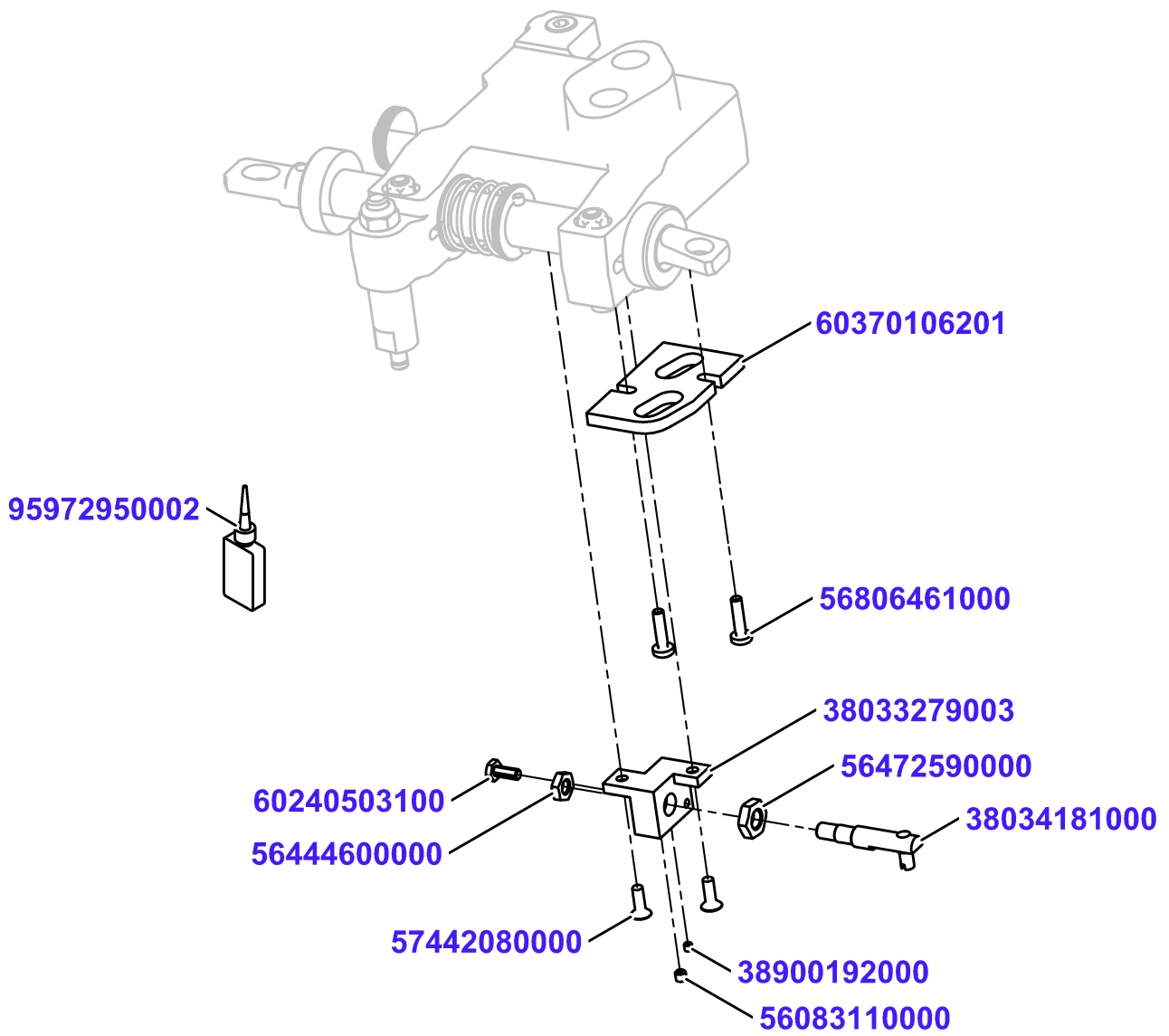
Bearing bracket cpl



Bearing bracket cpl

Material No.	Qty	Material description	available for order	Wear part	Recomm. sp. part	Metr. relevance
38022925005	1	Bearing bracket preass	✓			
38009593001	1	Axis	✓			
96055070000	0,001	Grease PARALIQ GA 343	✓			
38011932000	2	adjusting ring 18mm	✓			
38068508001	1	Adaption bolt	✓			
38075057000	1	Hexagon Screw DIN 933 M6x45-A2-70	✓			
56435660000	1	Knurled nut DIN467-M6-A2	✓			
38004459000	0,001	Loctite 648	✓			
95972960002	0,001	Loctite 7649 500ml	✓			
38019763000	1	Comp. spring 28x24,8x68,5x11,65-0,89	✓			
38010783000	2	pressure washer	✓			
57806110000	1	Clamping pin ISO8750-4x24-A2	✓			
56400880000	1	Lock nut DIN985-M8-A2	✓			
56400860000	2	Locknut DIN 985-M6-A2-70 56400860000	✓			
57743461000	2	Cylinder screw DIN912 M6x35-A2-70	✓			
96055070000	0,001	Grease PARALIQ GA 343	✓			

Bearing bracket cpl



Bearing bracket cpl

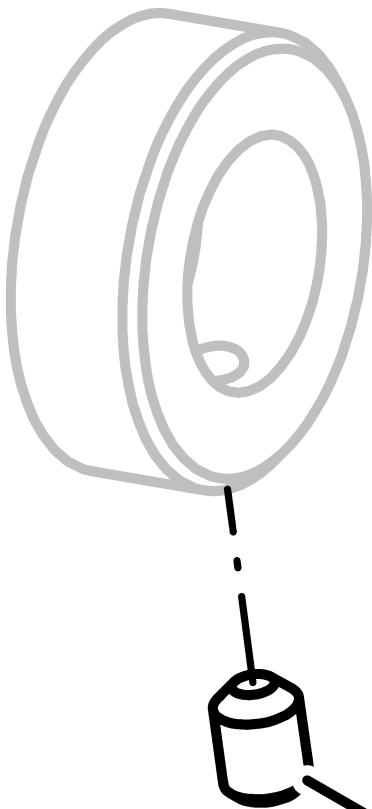
Material No.	Qty	Material description	available for order	Wear part	Recomm. sp. part	Metr. relevance
38033279003	1	Fixing Block				
57442080000	2	Countersunk Screw DIN7991 M4x12-A2-70				
95972950002	0,001	Loctite 243 50 ml 95972950002				
38034181000	1	Driver premounted				
56472590000	1	Hexagon nut DIN439-M8x1-A2				
56444600000	1	Hexagon Nut DIN 439-BM6-A2-70				
56083110000	1	Set screw ISO4026 M4x4-A2-70				
38900192000	1	Set screw ISO4026 M3x3-A2-70				

Bearing bracket cpl

Bearing bracket cpl

Material No.	Qty	Material description	available for order	Wear part	Recomm. sp. part	Metr. relevance
60370106203	1	Supporting plate				
60220110103	1	Threaded Bolt M12x1 x 14				
38057747002	1	Threaded Bolt M12x1x14				
56806460000	2	Oval-head screw DIN7985 M4x16-A2-70				
56081060000	2	Set screw DIN916 M6x8-A2-70				

adjusting ring 18mm



56081060000

adjusting ring 18mm

Material No.	Qty	Material description
56081060000	1	Set screw DIN916 M6x8-A2-70

available for order

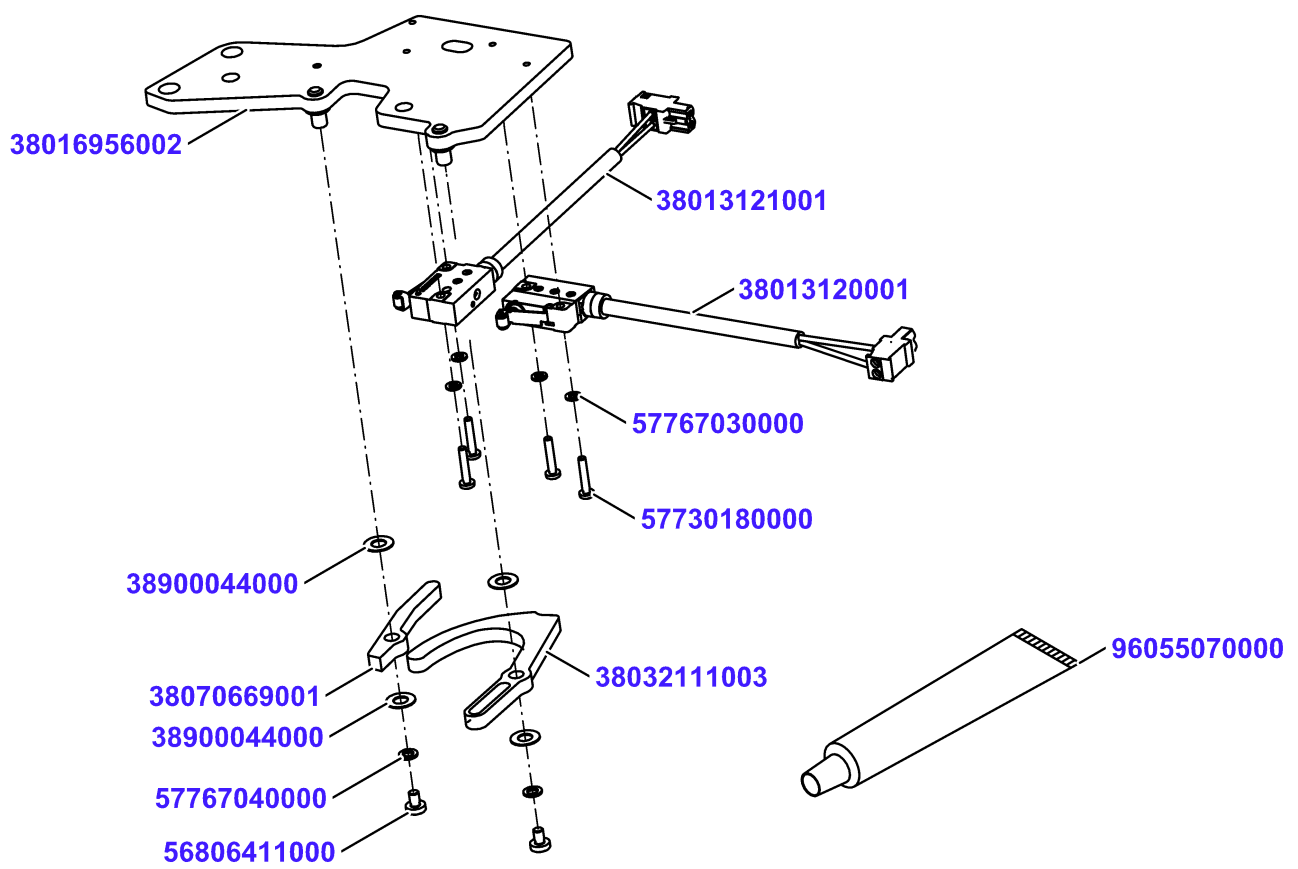
Wear part

Recomm. sp. part

Metr. relevance



Beam press

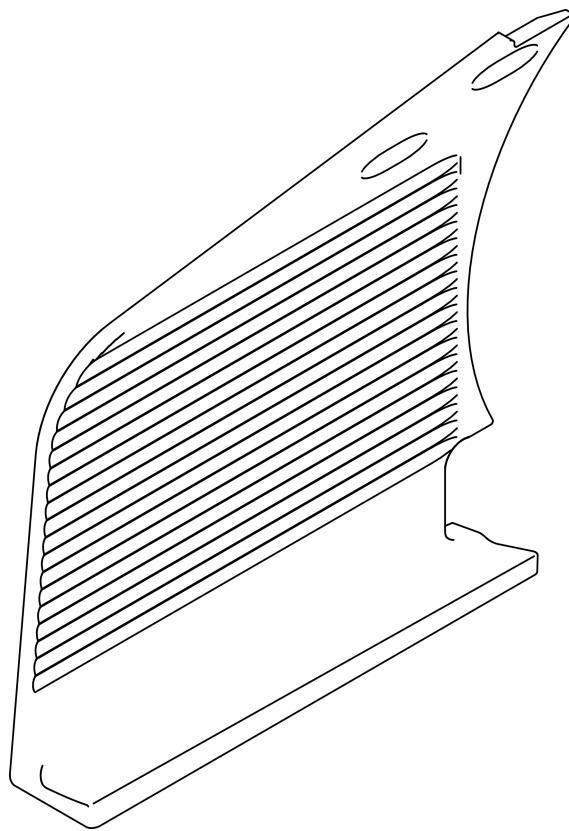


Beam preass

Material No.	Qty	Material description	available for order	Wear part	Recomm. sp. part	Metr. relevance
38016956002	1	Beam with studs	✓			
96055070000	0,001	Grease PARALIQ GA 343	✓			
38032111003	1	Lever	✓			
56806411000	1	Oval-Head Screw ISO 14583-M4x6-T20-A2-70	✓			
38900044000	2	Shim ring DIN988-6x12x0,5	✓			
57767040000	1	Spring lock washer DIN128-A4-FSt	✓			
38070669001	1	lever	✓			
56806411000	1	Oval-Head Screw ISO 14583-M4x6-T20-A2-70	✓			
38900044000	2	Shim ring DIN988-6x12x0,5	✓			
57767040000	1	Spring lock washer DIN128-A4-FSt	✓			
38013120001	1	switch gauge cleaning assembly	✓		✓	
57730180000	2	Oval-head screw ISO14583 M3x16-A2-70-T10	✓			
57767030000	2	Spring lock washer DIN128-A3-FSt	✓			
38013121001	1	switch gauge sharpen assembly	✓		✓	
57730180000	2	Oval-head screw ISO14583 M3x16-A2-70-T10	✓			
57767030000	2	Spring lock washer DIN128-A3-FSt	✓			

Gauge plate

38056112004



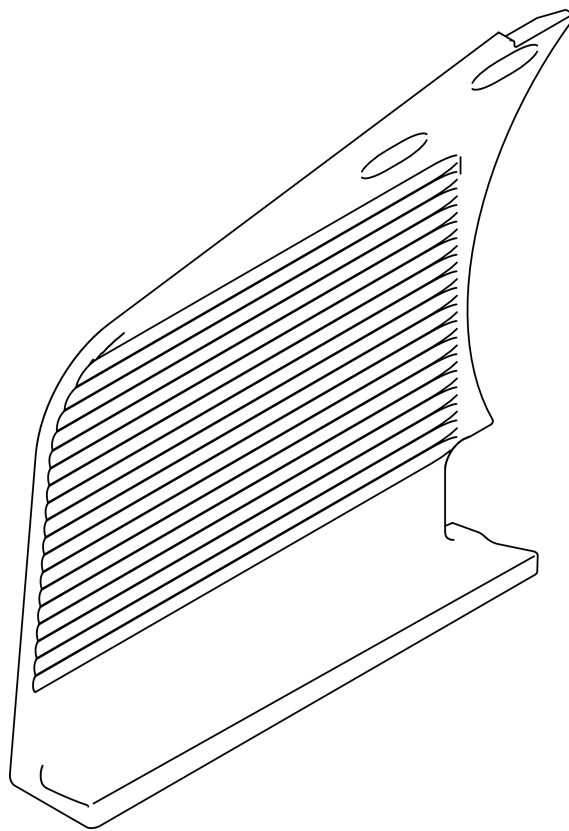
Gauge plate

available for order
Wear part
Recomm. sp. part
Metr. relevance

Material No.	Qty	Material description
38056112004	1	Gauge Plate

Gauge plate

38059518003



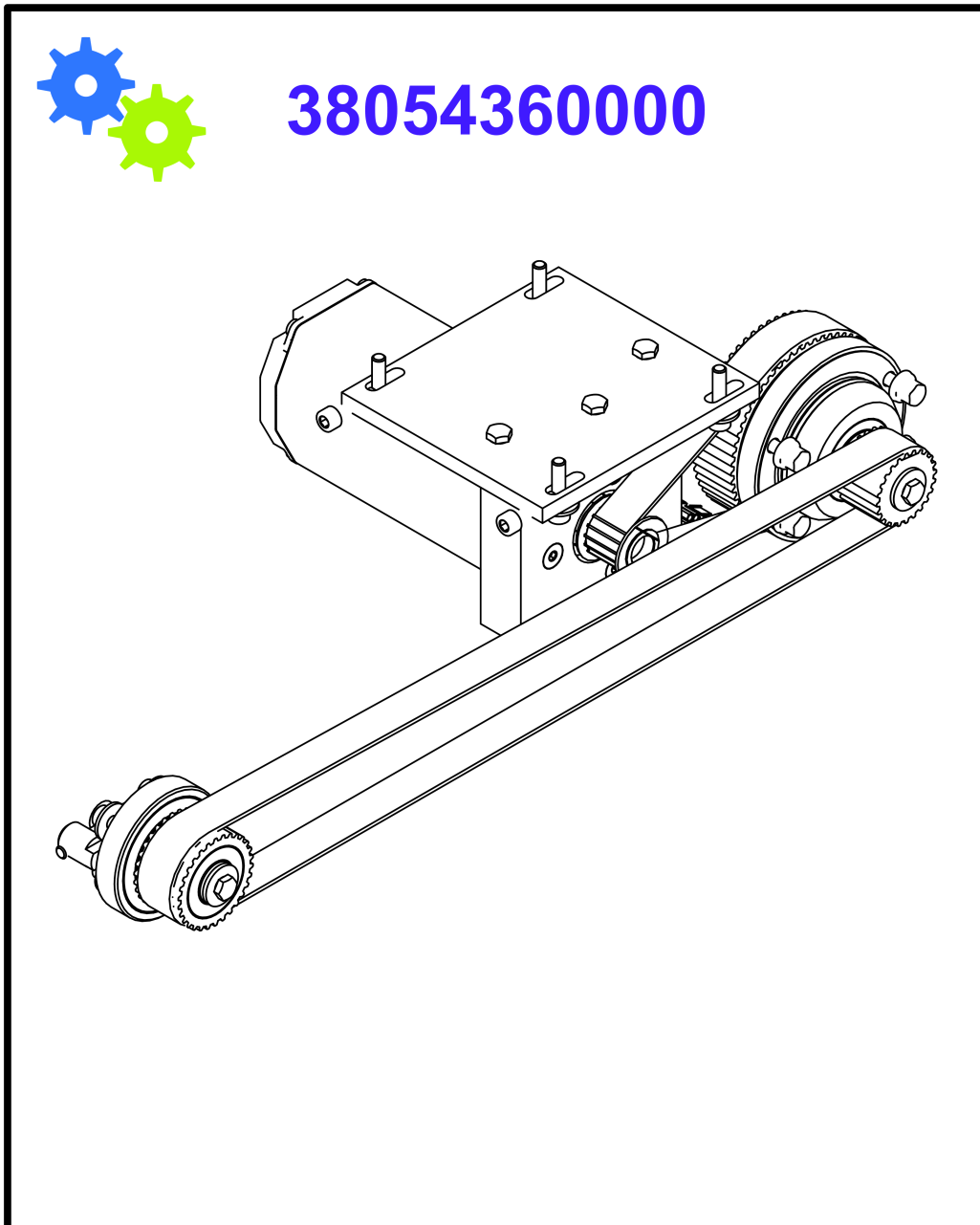
Gauge plate

Material No. **Qty** **Material description**

[38059518003](#) 1 Gauge plate C

available for order
Wear part
Recomm. sp. part
Metr. relevance

Carriage drive



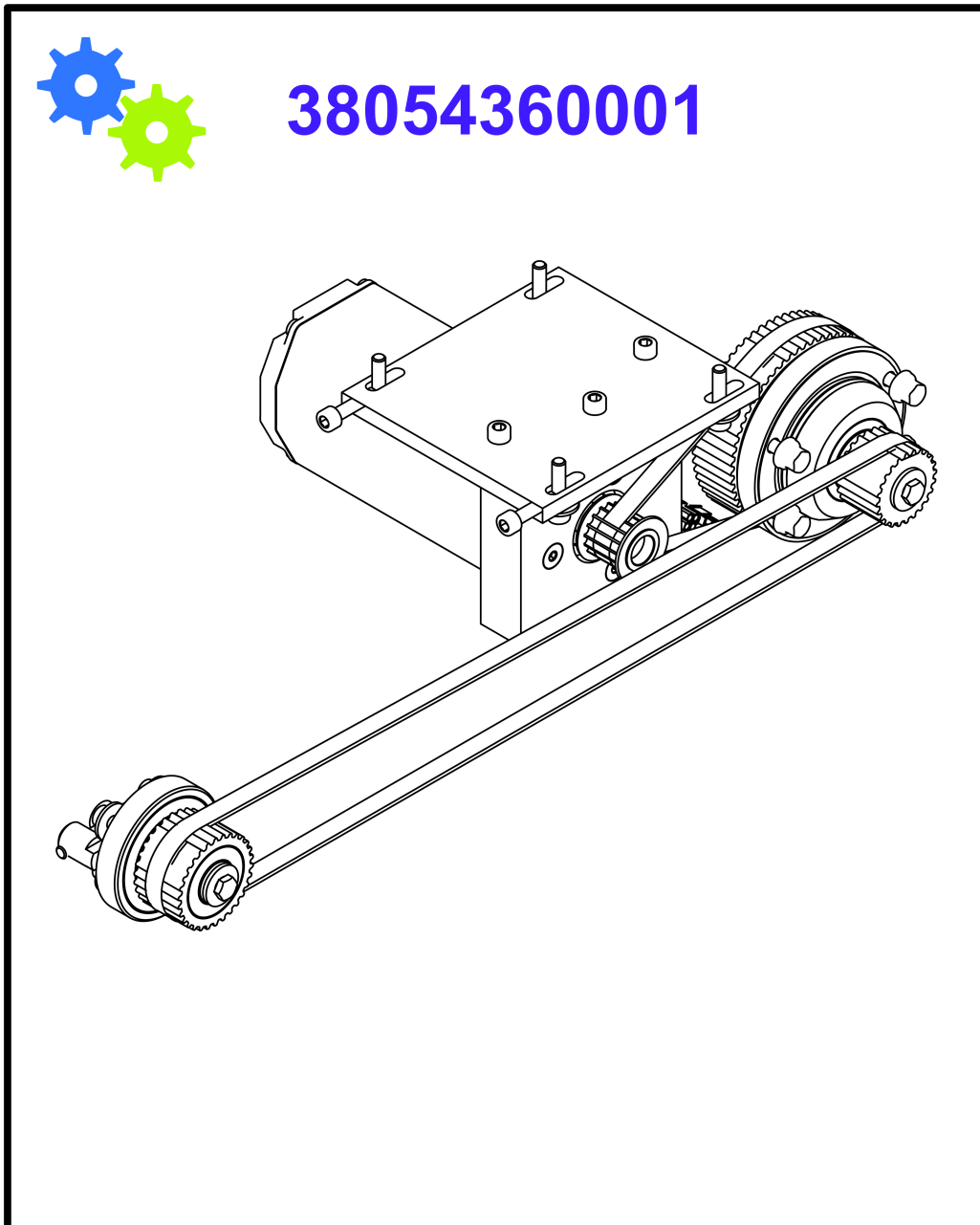
Carriage drive

Material No. **Qty** **Material description**

[38054360000](#) 1 Carriage drive cpl

available for order
Wear part
Recomm. sp. part
Metr. relevance

Carriage drive



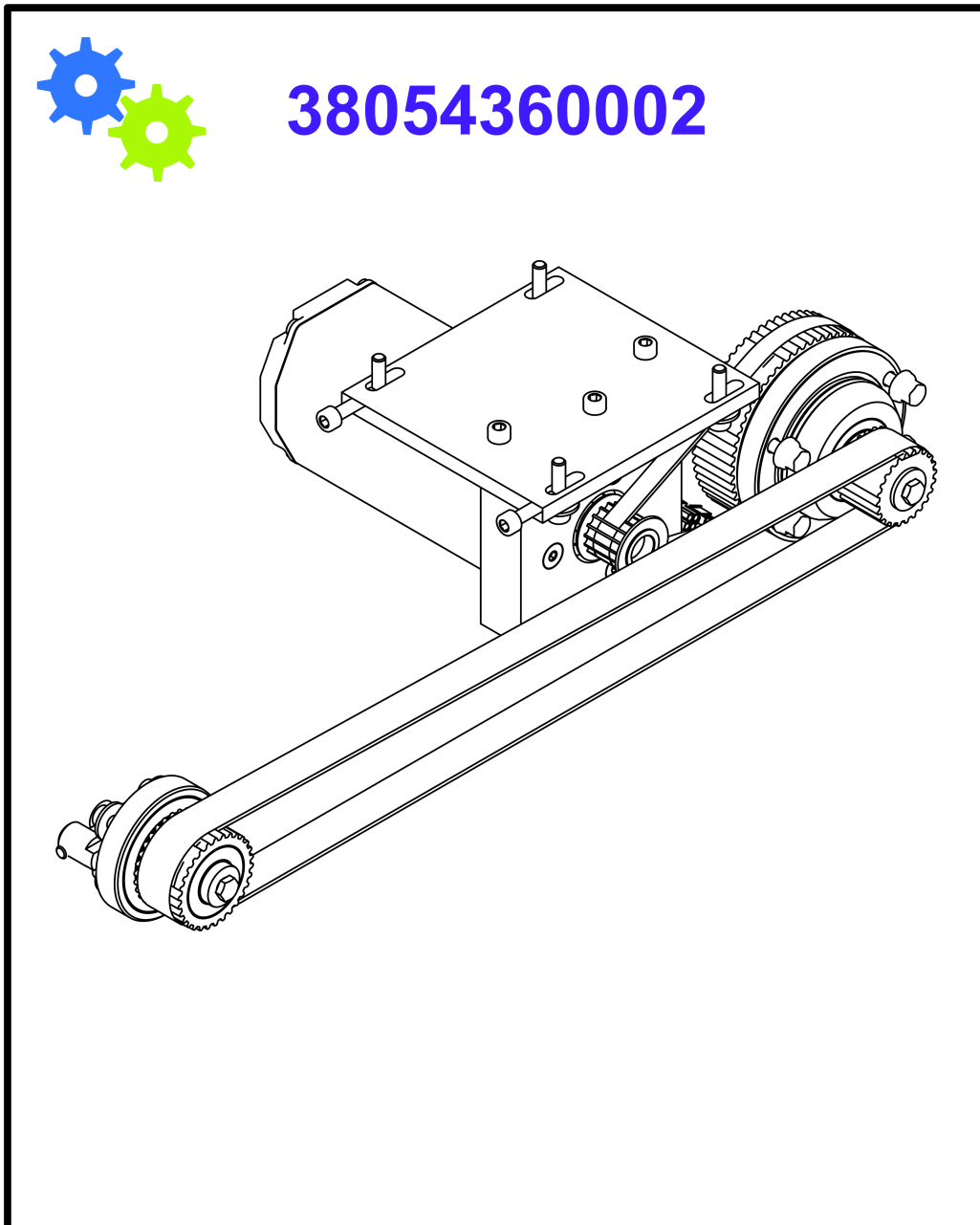
Carriage drive

Material No. **Qty** **Material description**

[38054360001](#) 1 Carriage drive cpl

available for order
Wear part
Recomm. sp. part
Metr. relevance

Carriage drive



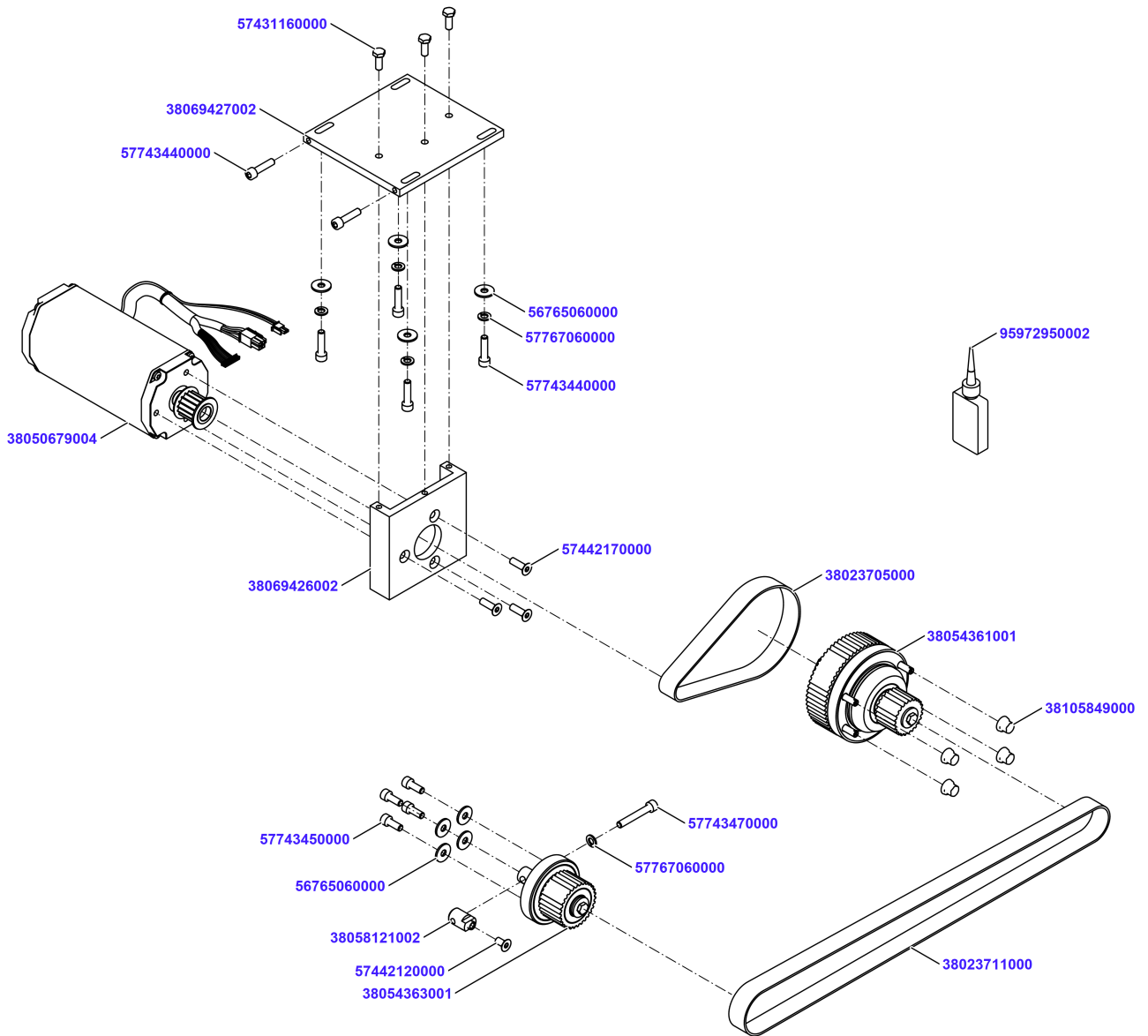
Carriage drive

Material No. **Qty** **Material description**

[38054360002](#) 1 Carriage Drive cpl.

available for order
Wear part
Recomm. sp. part
Metr. relevance

Carriage drive cpl

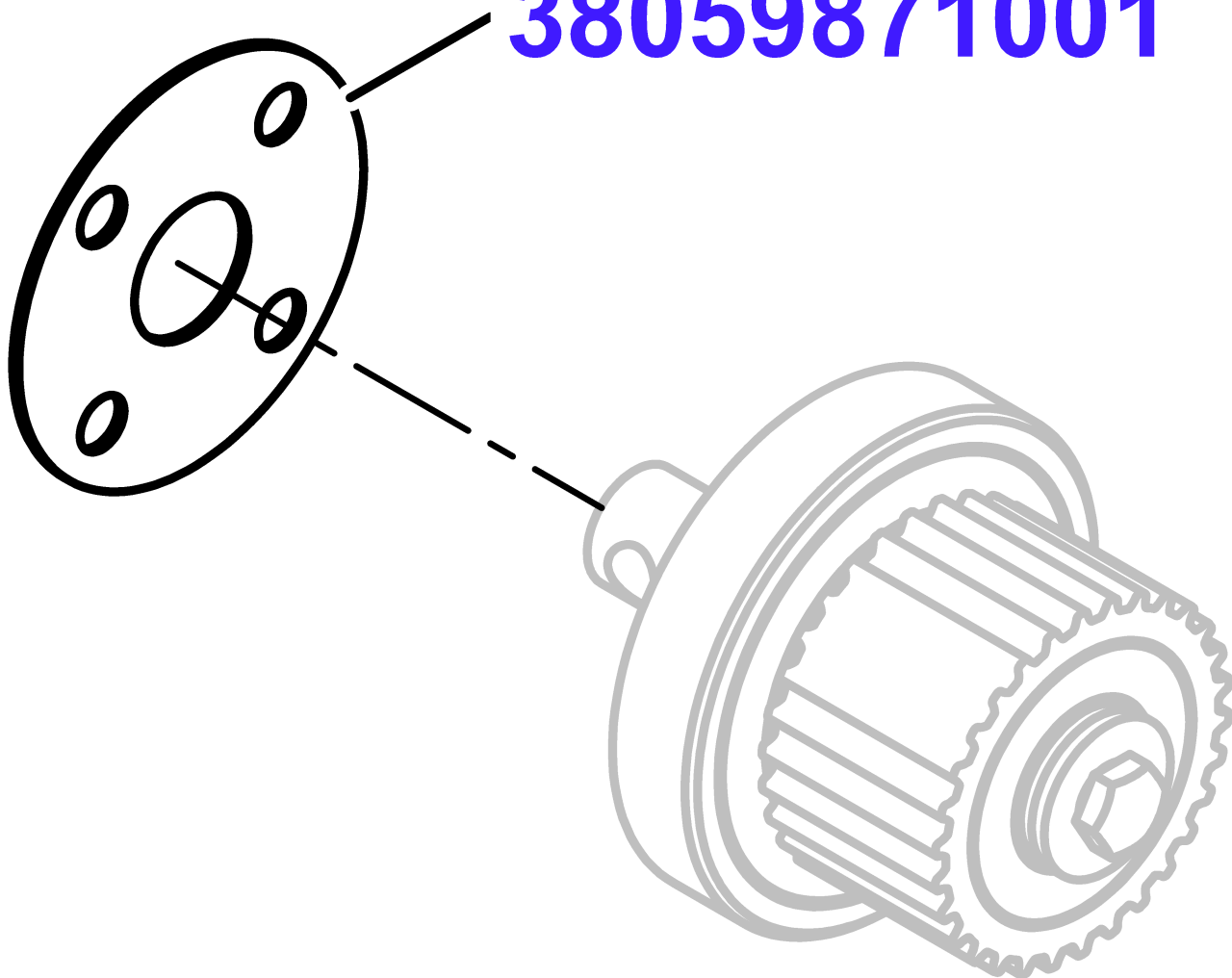


Carriage drive cpl

Material No.	Qty	Material description	available for order	Wear part	Recomm. sp. part	Metr. relevance
38050679004	1	Motor Long Carriage BG75x75	✓			
38069427002	1	Traverse 125x135x8	✓			
38069426002	1	flange	✓			
57431160000	3	Hexagon Screw DIN 933 M6x16 A2-70	✓			
95972950002	0,001	Loctite 243 50 ml 95972950002	✓			
57442170000	3	Countersunk screw DIN7991 M6x20-A2-70	✓			
57743440000	4	Socket Head Screw DIN 912-M6x25-A2-70	✓			
57767060000	4	Spring lock washer DIN128-A6-FSt	✓			
56765060000	4	Washer DIN9021-6-A2	✓			
38054361001	1	Bearing housing cpl	✓		✓	
38105849000	4	Cap nut-M6 -1.4404	✓			
38054363001	1	Guide roller cpl	✓		✓	
57743450000	4	Cylinder screw DIN912 M6x16-A2-70	✓			
56765060000	4	Washer DIN9021-6-A2	✓			
38058121002	1	Bolt 15 x 25	✓			
57442120000	1	Countersunk screw DIN7991 M6x12-A2-70	✓			
57743470000	1	Cylinder screw DIN912 M6x40-A2-70	✓			
57767060000	1	Spring lock washer DIN128-A6-FSt	✓			
38023705000	1	Toothed belt 20 S5M5x410	✓	✓	✓	
57743440000	2	Socket Head Screw DIN 912-M6x25-A2-70	✓			
38023711000	1	Toothed belt 20 S5M5x1000	✓	✓	✓	

Guide roller cpl

38059871001

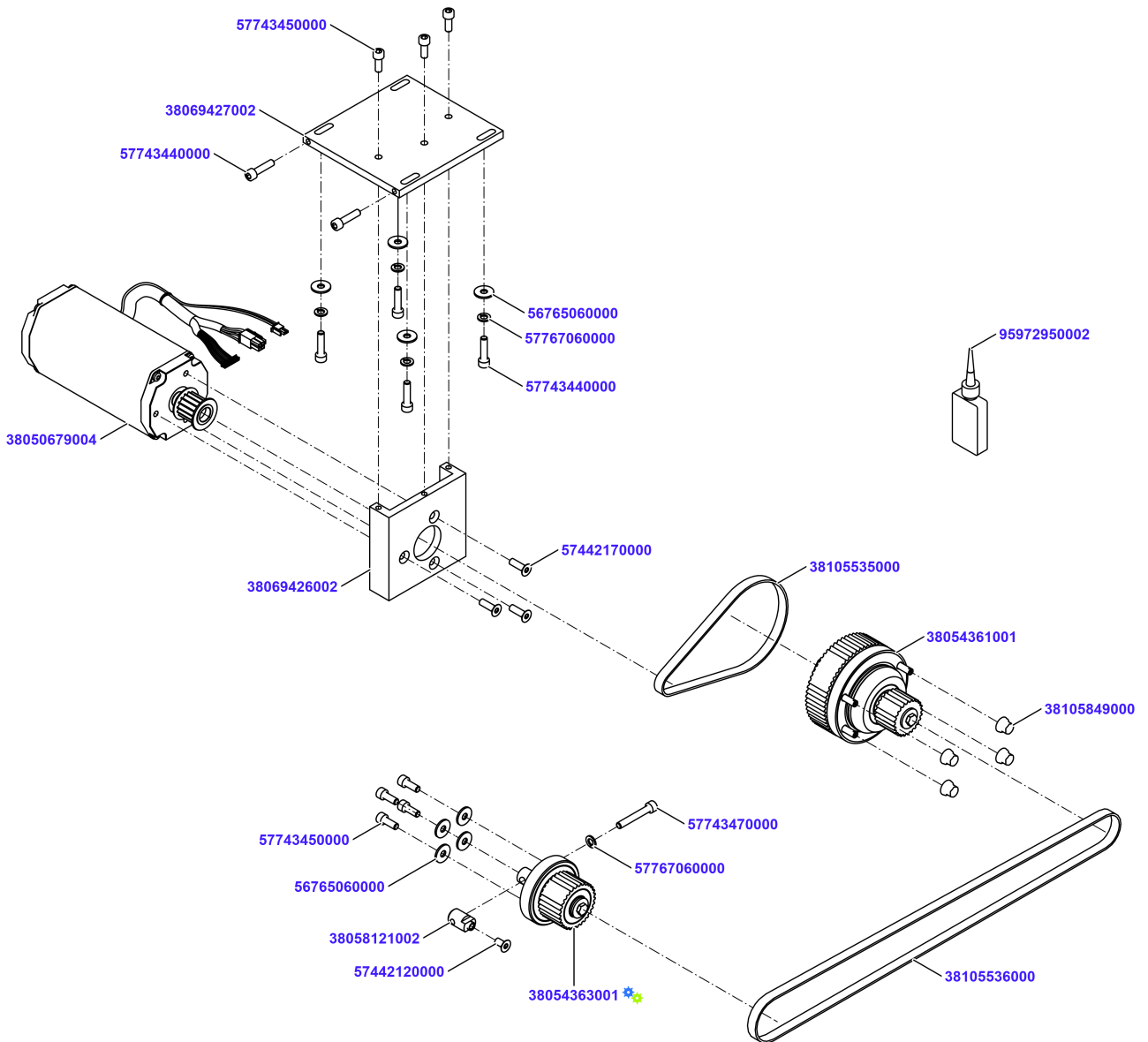


Guide roller cpl

available for order
Wear part
Recomm. sp. part
Metr. relevance

Material No.	Qty	Material description
38059871001	1	Gasket

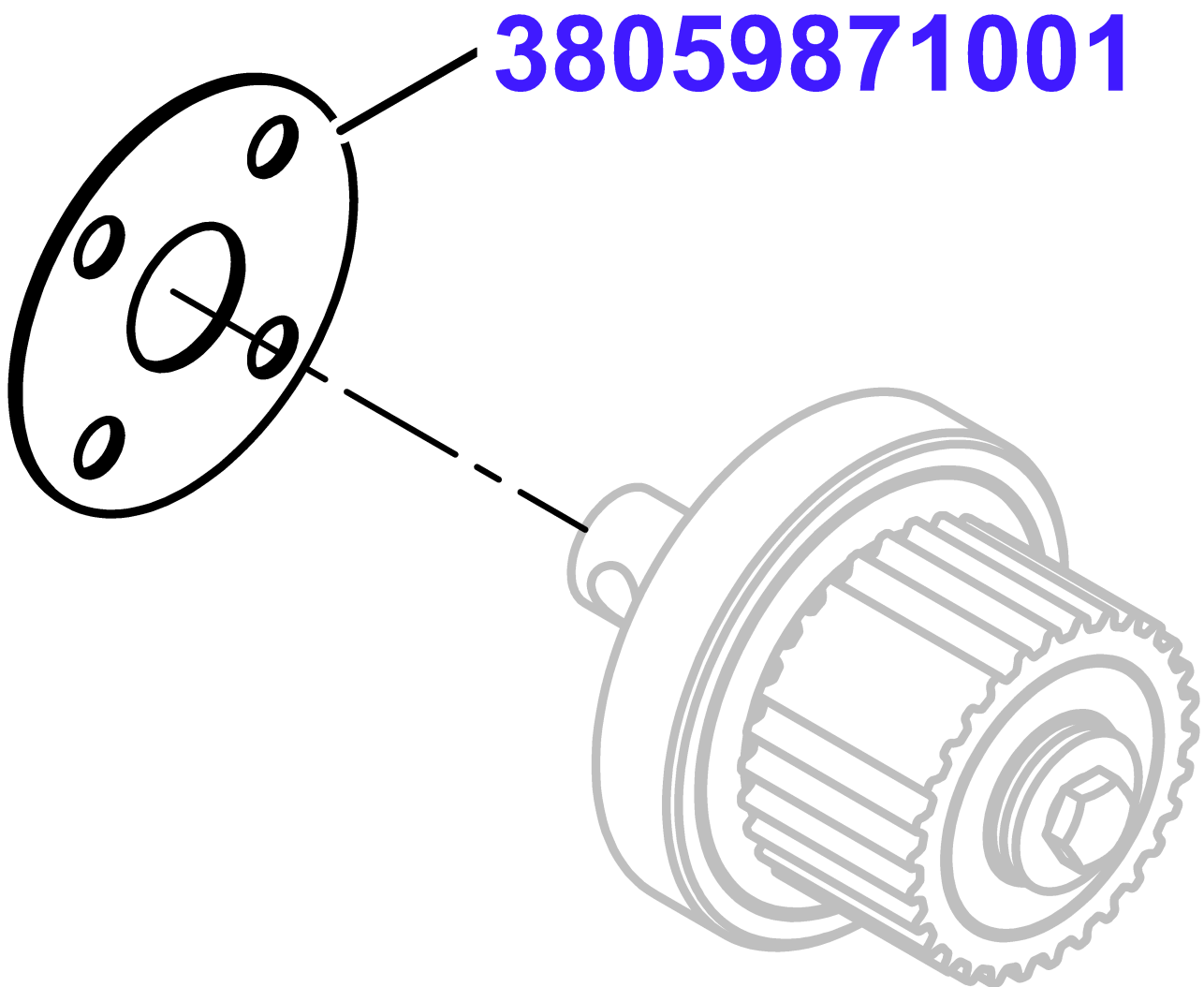
Carriage drive cpl



Carriage drive cpl

Material No.	Qty	Material description	available for order	Wear part	Recomm. sp. part	Metr. relevance
38050679004	1	Motor Long Carriage BG75x75	✓			
38069427002	1	Traverse 125x135x8	✓			
38069426002	1	flange	✓			
57743450000	3	Cylinder screw DIN912 M6x16-A2-70	✓			
95972950002	0,001	Loctite 243 50 ml 95972950002	✓			
57442170000	3	Countersunk screw DIN7991 M6x20-A2-70	✓			
57743440000	4	Socket Head Screw DIN 912-M6x25-A2-70	✓			
57767060000	4	Spring lock washer DIN128-A6-FSt	✓			
56765060000	4	Washer DIN9021-6-A2	✓			
38054361001	1	Bearing housing cpl	✓		✓	
38105849000	4	Cap nut-M6 -1.4404	✓			
38054363001	1	Guide roller cpl	✓		✓	
57743450000	4	Cylinder screw DIN912 M6x16-A2-70	✓			
56765060000	4	Washer DIN9021-6-A2	✓			
38058121002	1	Bolt 15 x 25	✓			
57442120000	1	Countersunk screw DIN7991 M6x12-A2-70	✓			
57743470000	1	Cylinder screw DIN912 M6x40-A2-70	✓			
57767060000	1	Spring lock washer DIN128-A6-FSt	✓			
38105535000	1	Toothed belt 10 5x410	✓	✓	✓	
57743440000	2	Socket Head Screw DIN 912-M6x25-A2-70	✓			
38105536000	1	Toothed belt 10 5x1000	✓	✓	✓	

Guide roller cpl

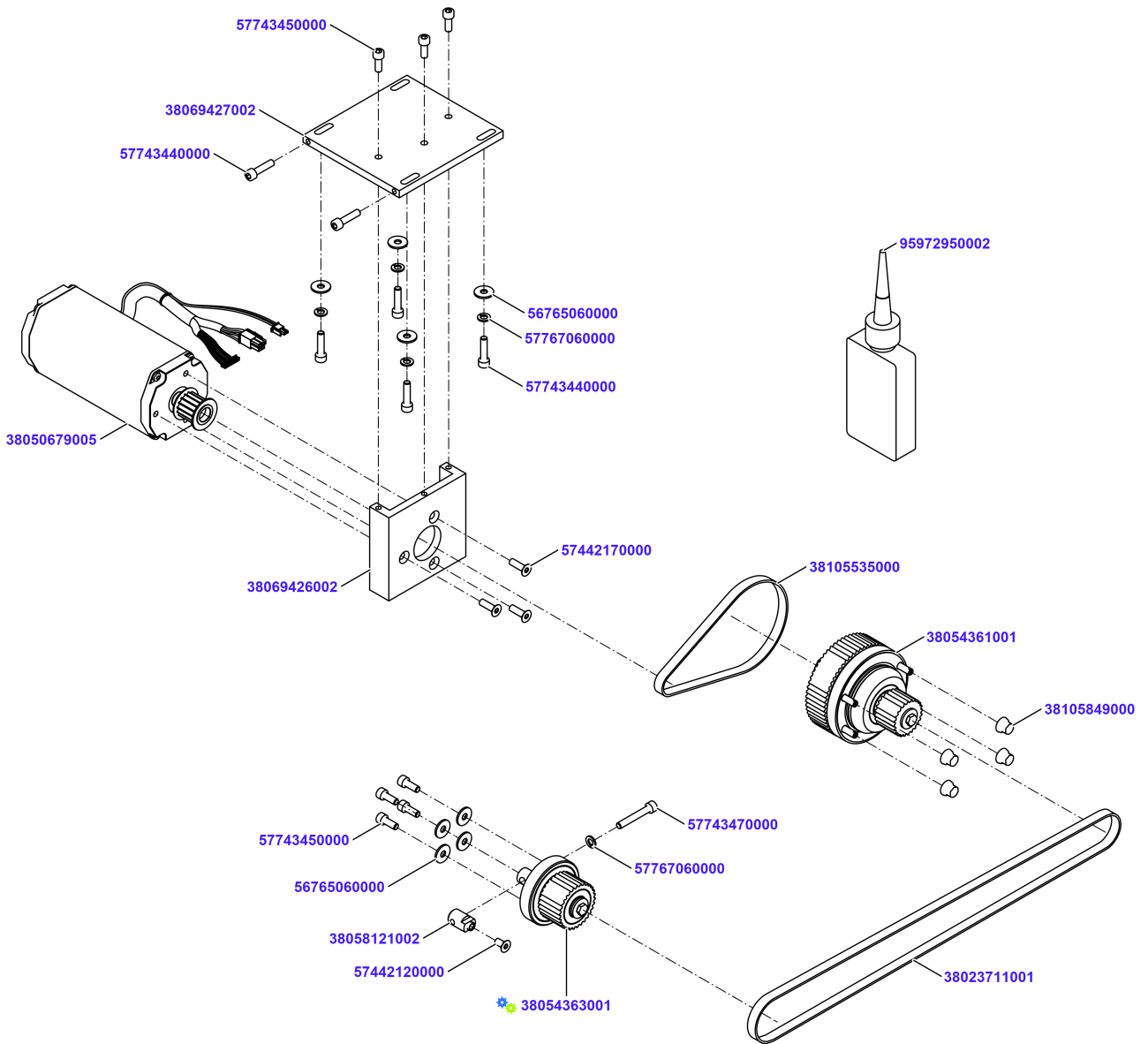


Guide roller cpl

available for order
Wear part
Recomm. sp. part
Metr. relevance

Material No.	Qty	Material description
38059871001	1	Gasket

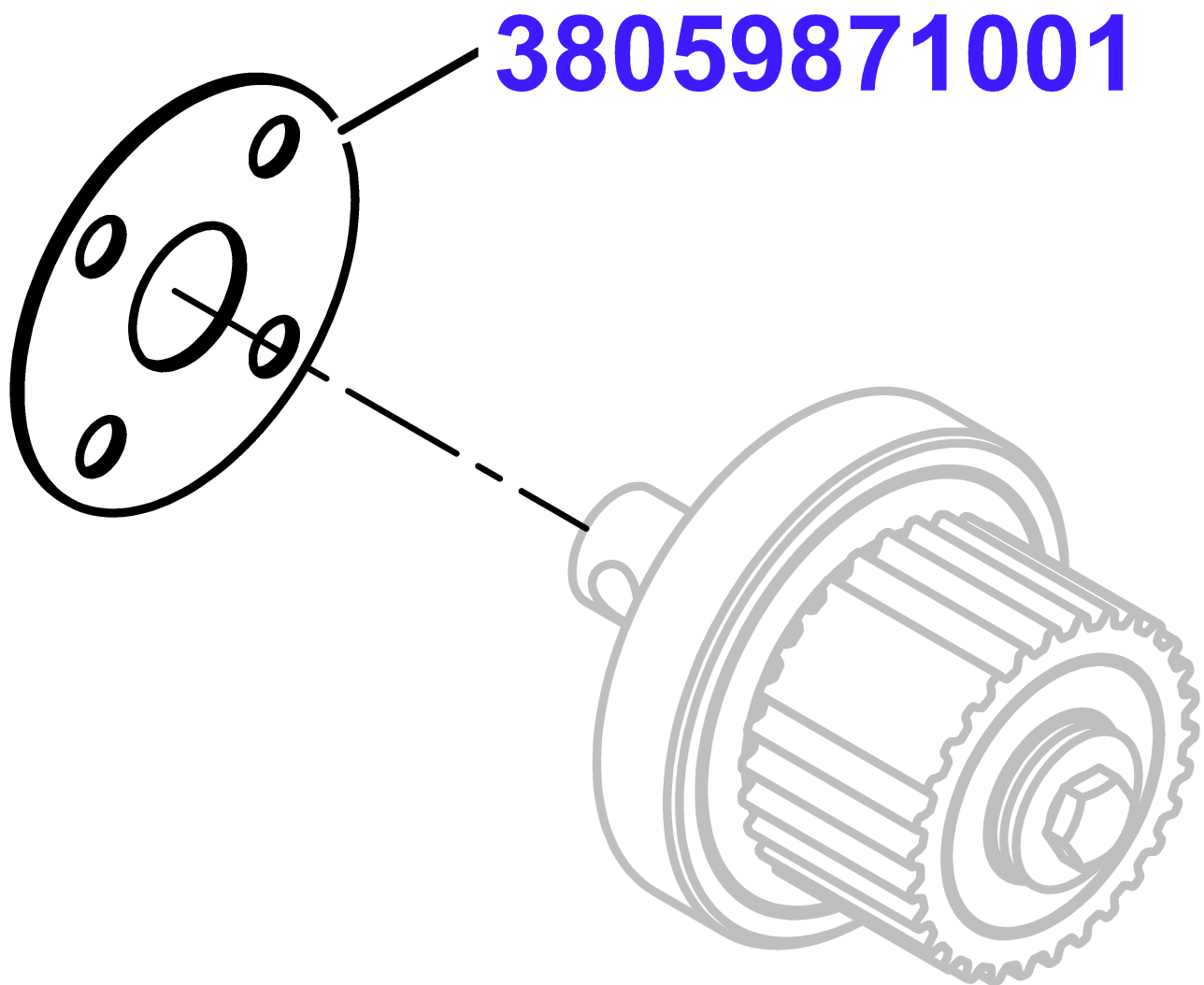
Carriage Drive cpl.



Carriage Drive cpl.

Material No.	Qty	Material description	available for order	Wear part	Recomm. sp. part	Metr. relevance
38050679005	1	Motor Long Carriage BG75x75	✓			
38069427002	1	Traverse 125x135x8	✓			
38069426002	1	flange	✓			
57743450000	3	Cylinder screw DIN912 M6x16-A2-70	✓			
95972950002	0,001	Loctite 243 50 ml 95972950002	✓			
57442170000	3	Countersunk screw DIN7991 M6x20-A2-70	✓			
57743440000	4	Socket Head Screw DIN 912-M6x25-A2-70	✓			
57767060000	4	Spring lock washer DIN128-A6-FSt	✓			
56765060000	4	Washer DIN9021-6-A2	✓			
38054361001	1	Bearing housing cpl	✓		✓	
38105849000	4	Cap nut-M6 -1.4404	✓			
38054363001	1	Guide roller cpl	✓		✓	
57743450000	4	Cylinder screw DIN912 M6x16-A2-70	✓			
56765060000	4	Washer DIN9021-6-A2	✓			
38058121002	1	Bolt 15 x 25	✓			
57442120000	1	Countersunk screw DIN7991 M6x12-A2-70	✓			
57743470000	1	Cylinder screw DIN912 M6x40-A2-70	✓			
57767060000	1	Spring lock washer DIN128-A6-FSt	✓			
38105535000	1	Toothed belt 10 5x410	✓	✓	✓	
57743440000	2	Socket Head Screw DIN 912-M6x25-A2-70	✓			
38023711001	1	Toothed Belt STS 200 HP S5M 1000 NG	✓	✓	✓	

Guide roller cpl



Guide roller cpl

available for order
Wear part
Recomm. sp. part
Metr. relevance

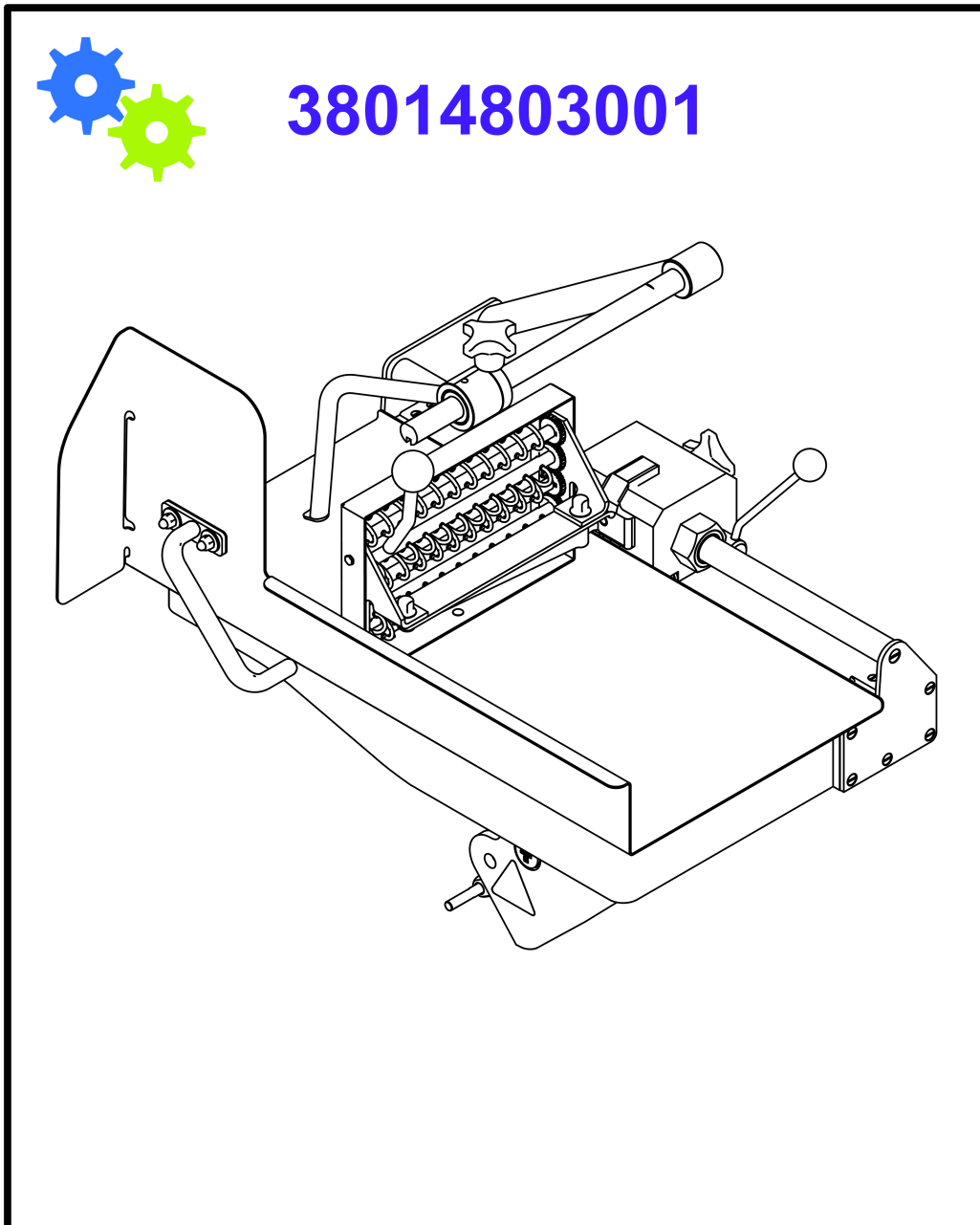
Material No.	Qty	Material description
38059871001	1	Gasket

Carriages 400

Carriages 400

Material No.	Qty	Material description	available for order	Wear part	Recomm. sp. part	Metr. relevance
...	1	Carriage stroke 240mm up to 11540649				
...	1	Carriage stroke 270mm as from 11540650				

Carriage stroke 240mm up to 11540649

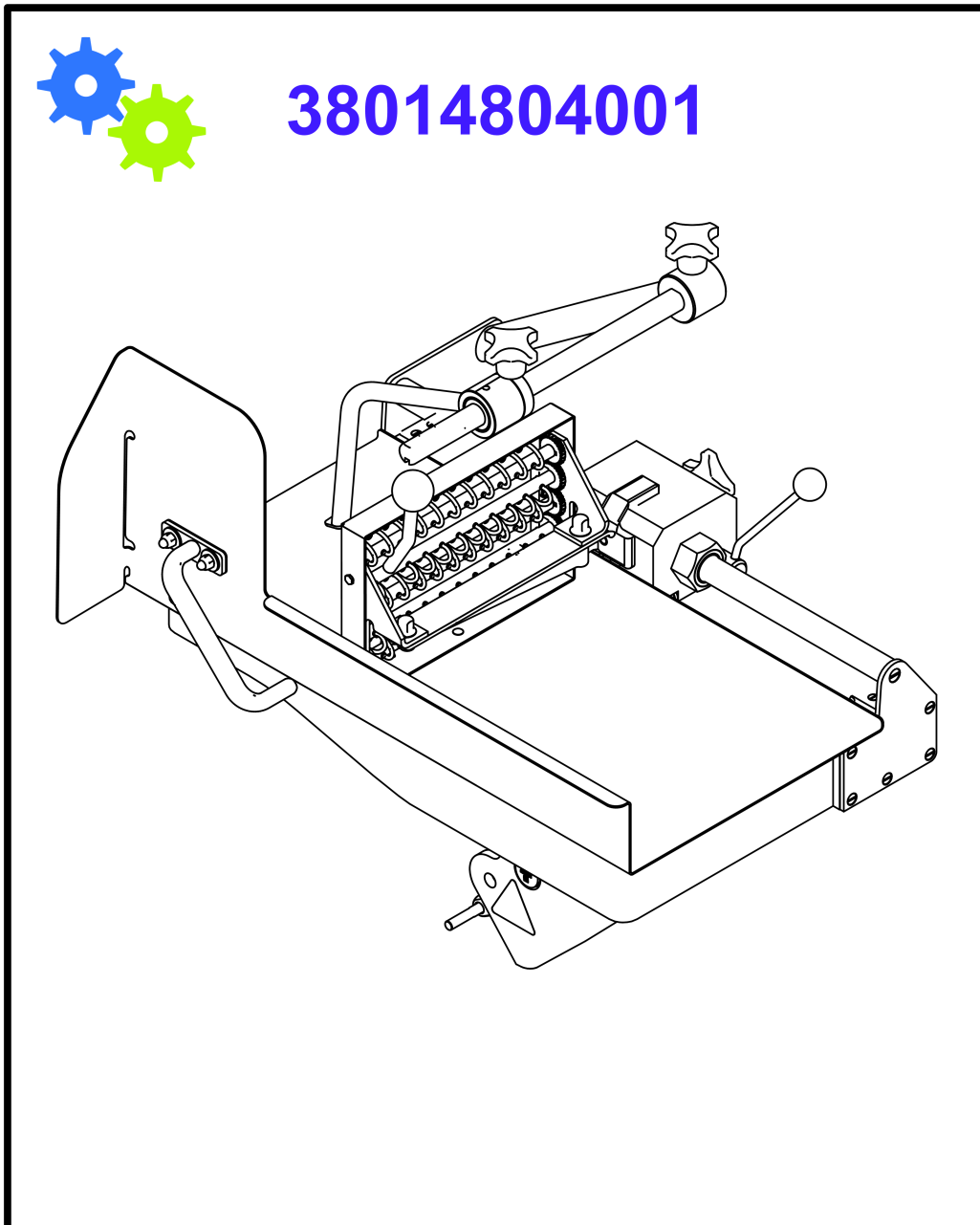


Carriage stroke 240mm up to 11540649

available for order
Wear part
Recomm. sp. part
Metr. relevance

Material No.	Qty	Material description
38014803001	1	Carriage 400

Carriage stroke 240mm up to 11540649



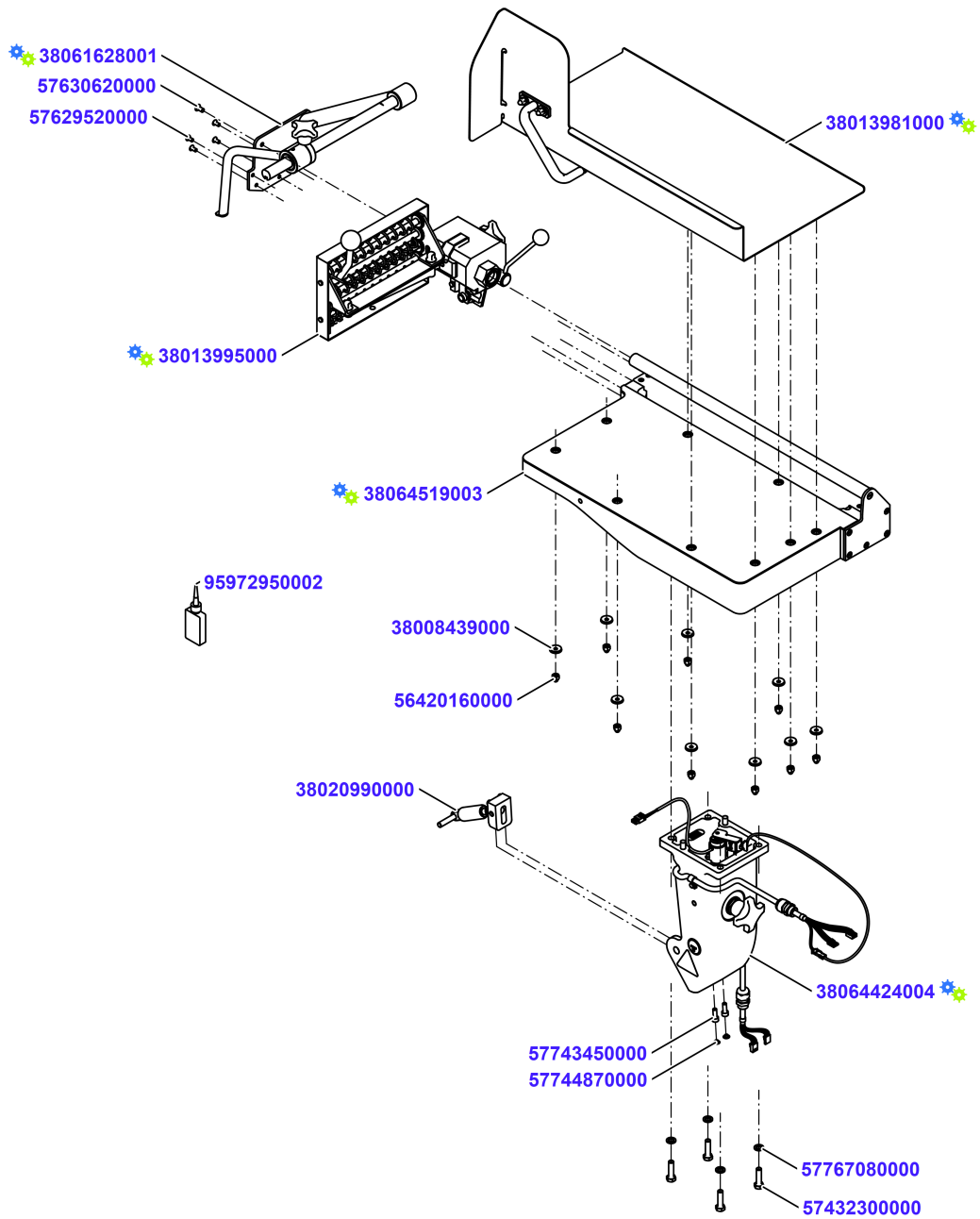
Carriage stroke 240mm up to 11540649

Material No. **Qty** **Material description**

38014804001 1 Carriage 400 NSF

available for order
Wear part
Recomm. sp. part
Metr. relevance

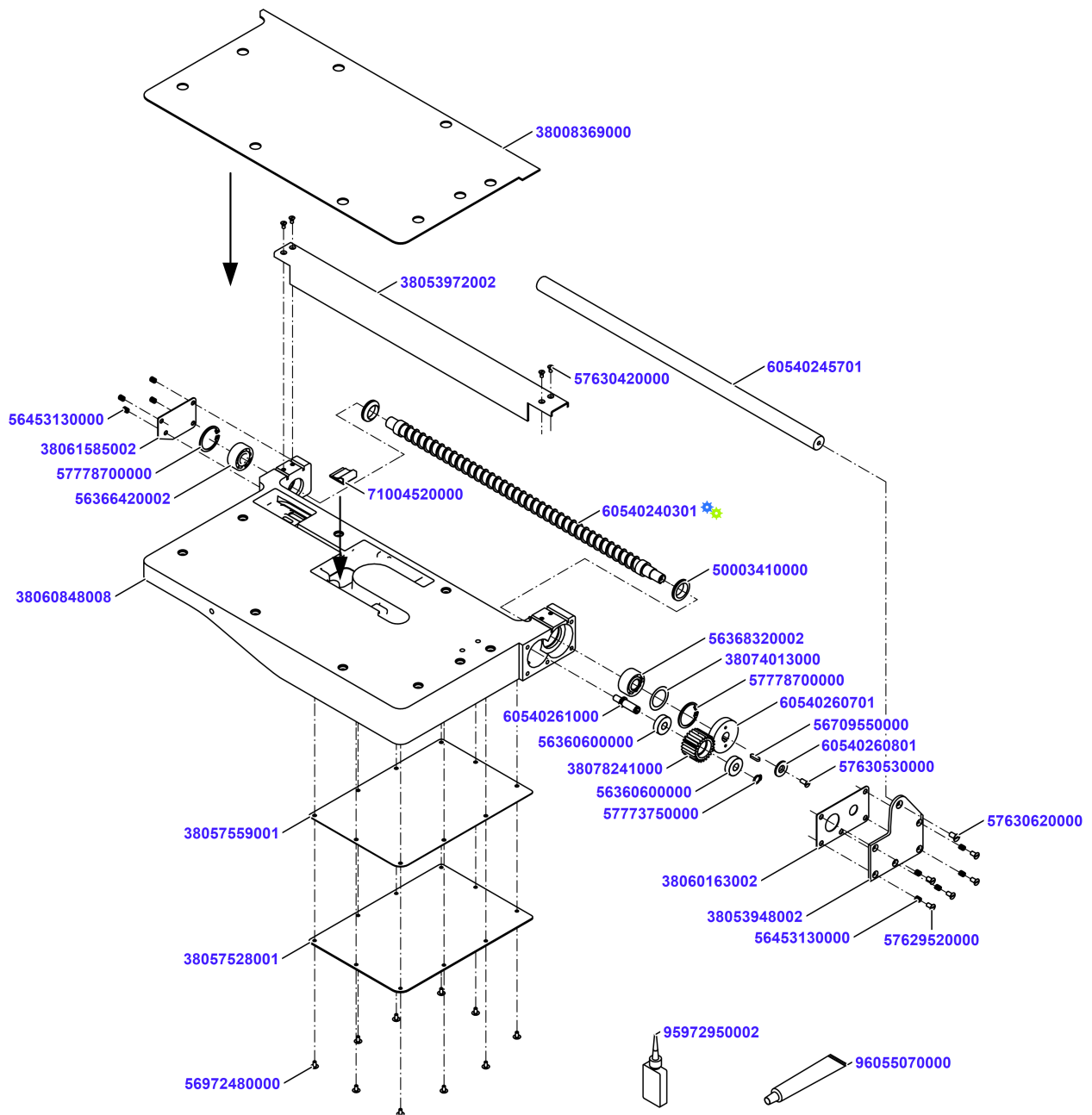
Carriage 400



Carriage 400

Material No.	Qty	Material description	available for order	Wear part	Recomm. sp. part	Metr. relevance
38064519003	1	Carriage 400 cpl				
38013981000	1	Carriage Plate 400 preass	✓			
56420160000	9	Cap nut DIN986-M6-A2	✓			
38008439000	9	Sealing washer M6	✓		✓	
38013995000	1	Product Holder non folding NSF cpl				
38061628001	1	Product Supporter top cpl				
57629520000	4	Countersunk Screw DIN 963-M5x10-A2-70	✓			
95972950002	0,001	Loctite 243 50 ml 95972950002	✓			
57630620000	1	Countersunk screw DIN963 M6x12-A2-70	✓			
38064424004	1	Carriage Foot high cpl				
57432300000	4	Hexagon screw DIN933 M8x30 A2-70	✓			
57767080000	4	Spring lock washer DIN128-A8-A2	✓			
38020990000	1	Gas Spring Carriage 400 cpl	✓		✓	
57743450000	2	Cylinder screw DIN912 M6x16-A2-70	✓			
57744870000	2	Protective plug 10x5,2x3,1-PE	✓		✓	

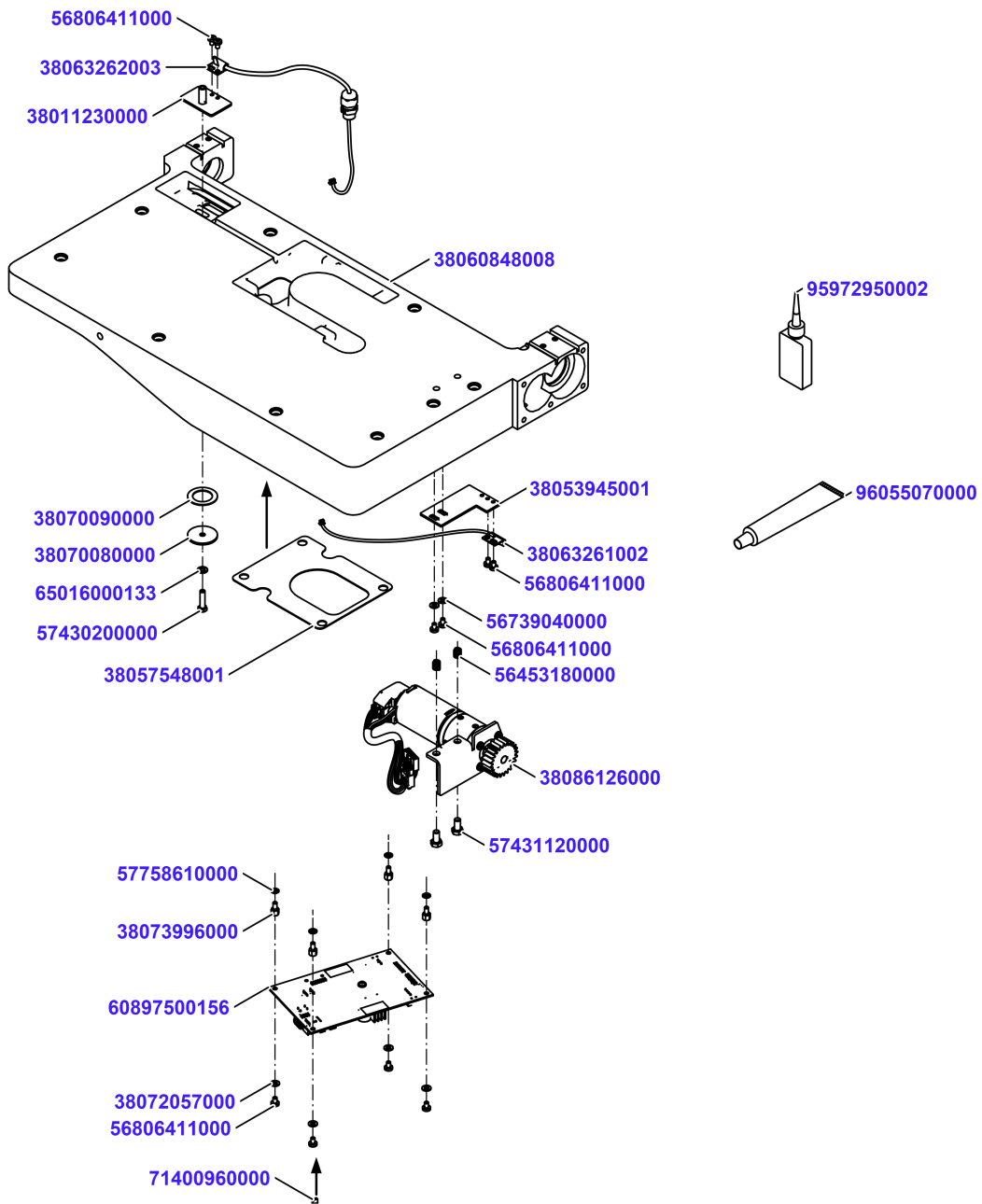
Carriage 400 cpl



Carriage 400 cpl

Material No.	Qty	Material description	available for order	Wear part	Recomm. sp. part	Metr. relevance
38060848008	1	Carriage 400 Cast machined	✓			
56453130000	9	Thread insert M5x7,5-A2	✓			
56366420002	1	Self-Aligning Ball Bearing 2202	✓			
57778700000	1	Retaining ring DIN472-35x1,5	✓			
50003410000	1	Wiper ring 30x20x7	✓			
60540240301	1	Feed Spindle ass.	✓			
50003410000	1	Wiper ring 30x20x7	✓			
56368320002	1	Angular bearing double-row 15x35x15,9	✓			
57778700000	1	Retaining ring DIN472-35x1,5	✓			
38074013000	1	Shim ring DIN988-25x35x0,1	✓			
60540260701	1	Gear Wheel	✓			
96055070000	0,001	Grease PARALIQ GA 343	✓			
56709550000	1	Parallel key DIN6885-A 5x3x16	✓			
60540260801	1	Washer	✓			
57630530000	1	Countersunk Screw DIN963 M5x12-A2-70	✓			
95972950002	0,001	Loctite 243 50 ml 95972950002	✓			
60540261000	1	bolt	✓			
38078241000	1	Gear Wheel	✓			
56360600000	2	Grooved Ball Bearing DIN625 10x26x8	✓			
57773750000	1	Retaining Ring DIN471-10x1 57773750000	✓			
38053972002	1	Guide Rail 400er	✓			
57630420000	4	Countersunk Screw DIN963-M4x8-A2-70	✓			
71004520000	1	Flat Cabel Holder 3484-1000	✓			
38053948002	1	Flange	✓			
38060163002	1	Sealing	✓		✓	
57629520000	5	Countersunk Screw DIN 963-M5x10-A2-70	✓			
38061585002	1	sealing	✓		✓	
60540245701	1	guide shaft	✓			
57630620000	1	Countersunk screw DIN963 M6x12-A2-70	✓			
38008369000	1	Seal Carriage Plate 521x260x2	✓		✓	
38057528001	1	Cover 255,4x177,4x2	✓			
38057559001	1	Seal Cover	✓		✓	
56972480000	10	Mushroom head screw M4x8-A2-70 Tuflok	✓			

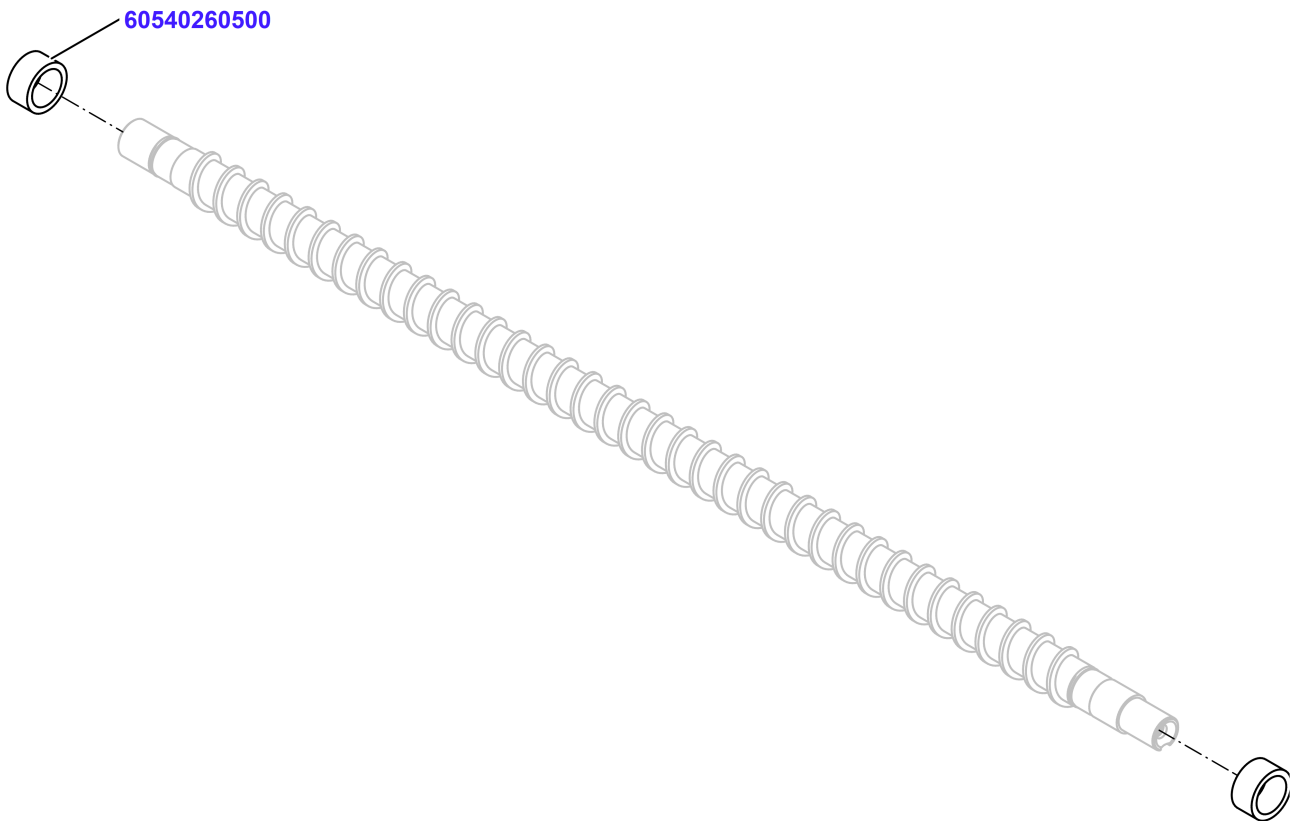
Carriage 400 cpl



Carriage 400 cpl


Material No.	Qty	Material description	available for order	Wear part	Recomm. sp. part	Metr. relevance
38060848008	1	Carriage 400 Cast machined	✓			
56453180000	2	Threaded insert Heli-Coil D M6x9	✓			
96055070000	0,001	Grease PARALIQ GA 343	✓			
95972950002	0,001	Loctite 243 50 ml 95972950002	✓			
38053945001	1	Board	✓			
38063261002	1	Sensor product feeding 1 VSI	✓			
56806411000	4	Oval-Head Screw ISO 14583-M4x6-T20-A2-70	✓			
56739040000	2	Washer DIN 125-A 4.3-A2-70 56739040000	✓			
38011230000	1	Board cpl	✓			
38063262003	1	Sensor product feeding 2 VSI	✓			
56806411000	2	Oval-Head Screw ISO 14583-M4x6-T20-A2-70	✓			
38070080000	1	Washer	✓			
38070090000	1	Sealing	✓		✓	
57430200000	1	Hexagon Screw DIN 933-M5x20-A2-70	✓			
65016000133	1	Washer 5-PA 65016000133	✓			
38086126000	1	Motor Product Feeding BG42x15 cpl	✓			
57431120000	2	Hexagon Screw DIN 933-M6x12-A2-7	✓			
60897500156	1	Bootl.+ PCBA MC 3ph 2ch lv bus	✓			
71400960000	1	SHORT CIRCUIT BRACKET 3131 731000406	✓		✓	
57758610000	4	Toothed washer DIN6797-A 4,3-Fst	✓			
38073996000	4	Distance bolt SW7x6 M4-M4 In-Out	✓			
56806411000	4	Oval-Head Screw ISO 14583-M4x6-T20-A2-70	✓			
38072057000	4	Washer DIN 125-A 4,3-PA6 38072057000	✓			
38057548001	1	Seal	✓		✓	

Feed Spindle ass.

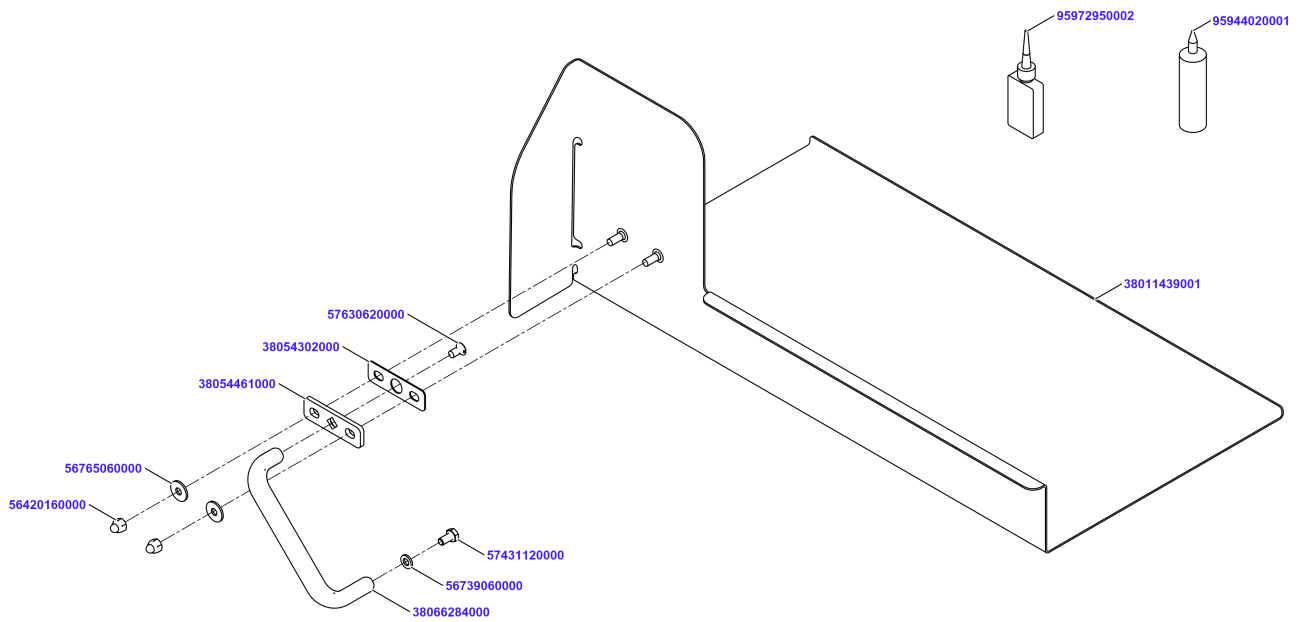


Feed Spindle ass.

Material No.	Qty	Material description
60540260500	2	ring

	available for order	Wear part	Recomm. sp. part	Metr. relevance
---	---------------------	-----------	------------------	-----------------

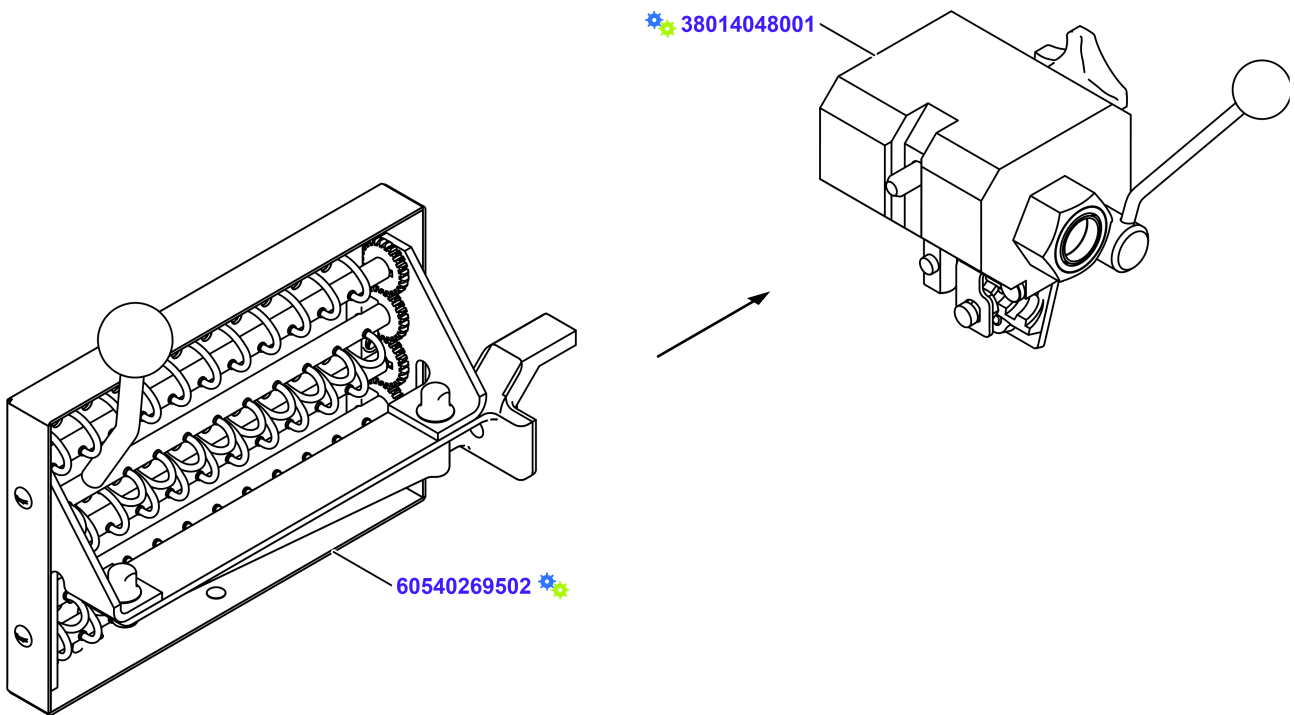
Carriage Plate 400 preass



Carriage Plate 400 preass

Material No.	Qty	Material description	available for order	Wear part	Recomm. sp. part	Metr. relevance
38011439001	1	Carriage Plate welded	✓			
38066284000	1	Handle	✓			
38054461000	1	Plate	✓			
38054302000	1	Gasket	✓		✓	
95944020001	10	Silicone Rubber Elastosil E41 90ml	✓			
57630620000	1	Countersunk screw DIN963 M6x12-A2-70	✓			
95972950002	0,001	Loctite 243 50 ml 95972950002	✓			
56420160000	2	Cap nut DIN986-M6-A2	✓			
56765060000	2	Washer DIN9021-6-A2	✓			
57431120000	1	Hexagon Screw DIN 933-M6x12-A2-7	✓			
56739060000	1	Washer DIN125-A-6-A2	✓			

Product Holder non folding NSF cpl

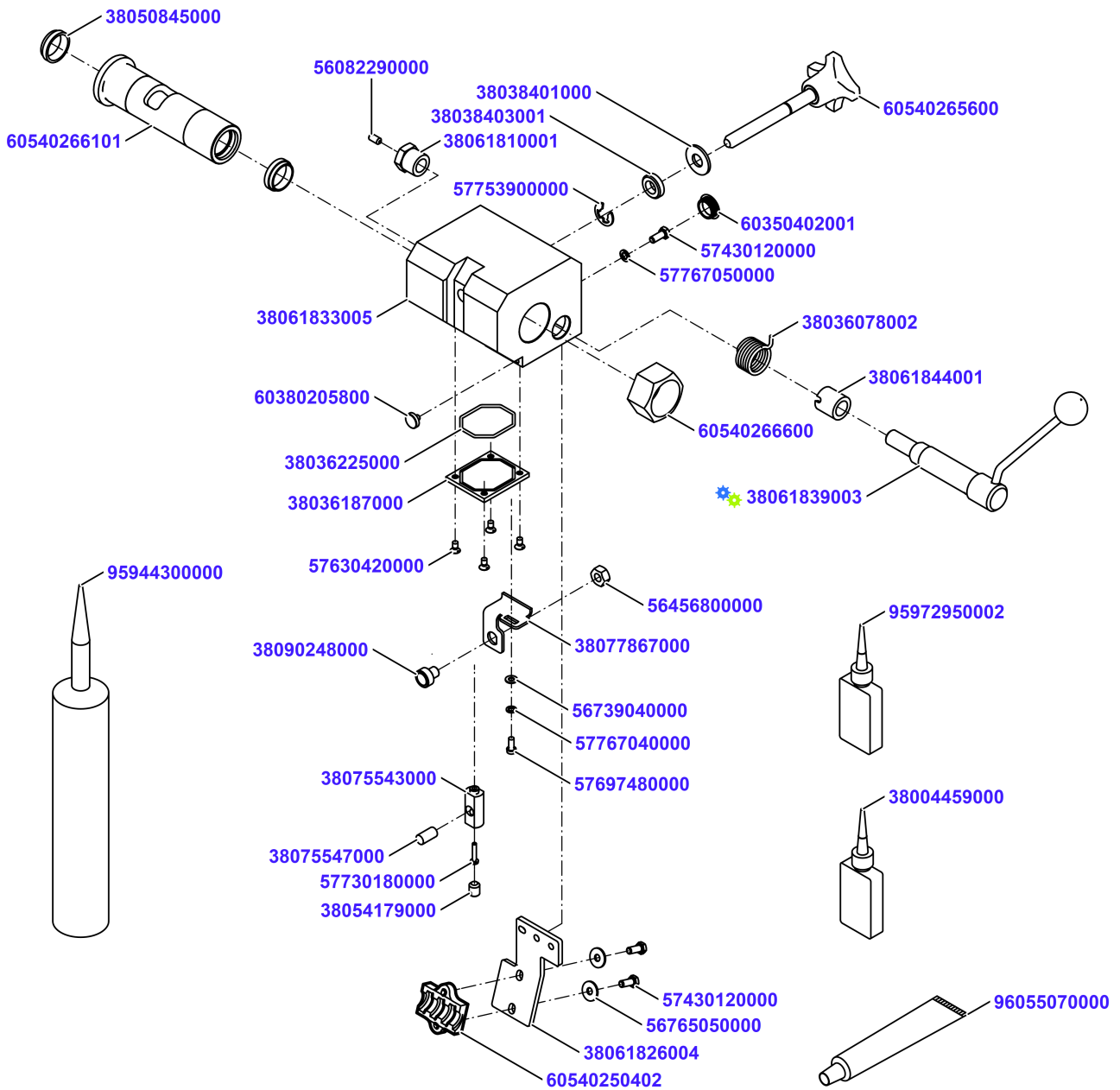


Product Holder non folding NSF cpl

Material No.	Qty	Material description
38014048001	1	Product Holder Guide NSF cpl
60540269502	1	Product holder ass.

available for order
Wear part
Recomm. sp. part
Metr. relevance

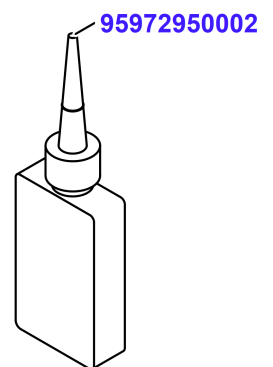
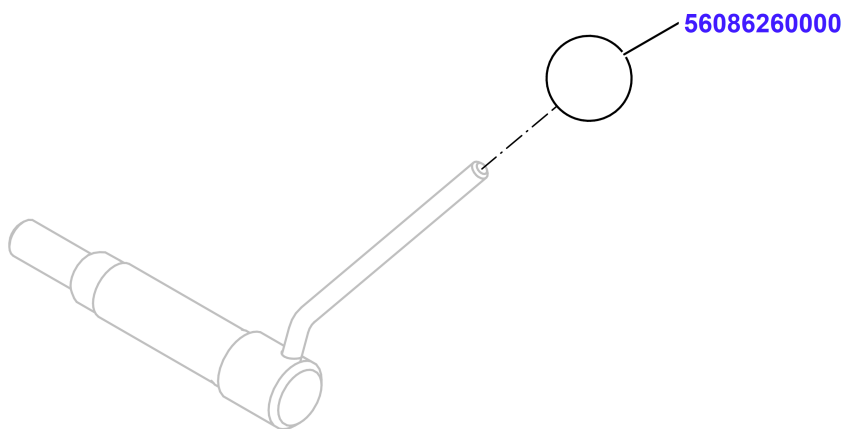
Product Holder Guide NSF cpl



Product Holder Guide NSF cpl

Material No.	Qty	Material description	available for order	Wear part	Recomm. sp. part	Metr. relevance
38061833005	1	Product Holder Guide	✓			
60540265600	1	locking lever mount.	✓			
38038401000	1	washer	✓			
38038403001	1	Bushing 19,1x10,7x5	✓			
57753900000	1	Retaining Washer DIN6799-9 57753900000	✓			
60540266101	1	Bushing complete	✓	✓	✓	
38050845000	2	Deflector Ring	✓			
60540266600	1	hex nut	✓			
38061839003	1	Bolt NSF cpl	✓			
38061844001	1	Sleeve	✓			
38036078002	1	torsion spring left	✓			
96055070000	0,005	Grease PARALIQ GA 343	✓			
38061810001	1	Screw Nut	✓			
38004459000	0,001	Loctite 648	✓			
56082290000	1	Set screw DIN438 M5x10-A2-70	✓			
95972950002	0,001	Loctite 243 50 ml 95972950002	✓			
38061826004	1	Holder	✓			
60540250402	1	Nut Plate	✓	✓	✓	
56765050000	2	Washer DIN 9021-5_3-A2-70 56765050000	✓			
57767050000	1	Spring lock washer DIN128-A5-FSt	✓			
57430120000	3	Hexagon Screw DIN 933-M5x12-A2-70	✓			
60350402001	1	Protective plug	✓			
95944300000	1	Kitchen silicone ELASTO4710	✓			
38036187000	1	cover	✓			
38036225000	1	seal	✓		✓	
57630420000	4	Countersunk Screw DIN963-M4x8-A2-70	✓			
38077867000	1	Magnet Base	✓			
38090248000	1	Magnet Vacodym 370 wz round 10x4 preass	✓		✓	
56456800000	1	Hexagon Nut DIN 934-M8-A2-70	✓			
57697480000	1	Cylinder screw DIN84 M4x10-A2-70	✓			
56739040000	1	Washer DIN 125-A 4.3-A2-70 56739040000	✓			
57767040000	1	Spring lock washer DIN128-A4-FSt	✓			
38075543000	1	Mounting Pin	✓			
57730180000	1	Oval-head screw ISO14583 M3x16-A2-70-T10	✓			
38075547000	1	Parallel Pin 8x15	✓			
38054179000	1	Set screw DIN438 M8x10-A2-70	✓			
60380205800	1	SLIDE PIN	✓			

Bolt NSF cpl

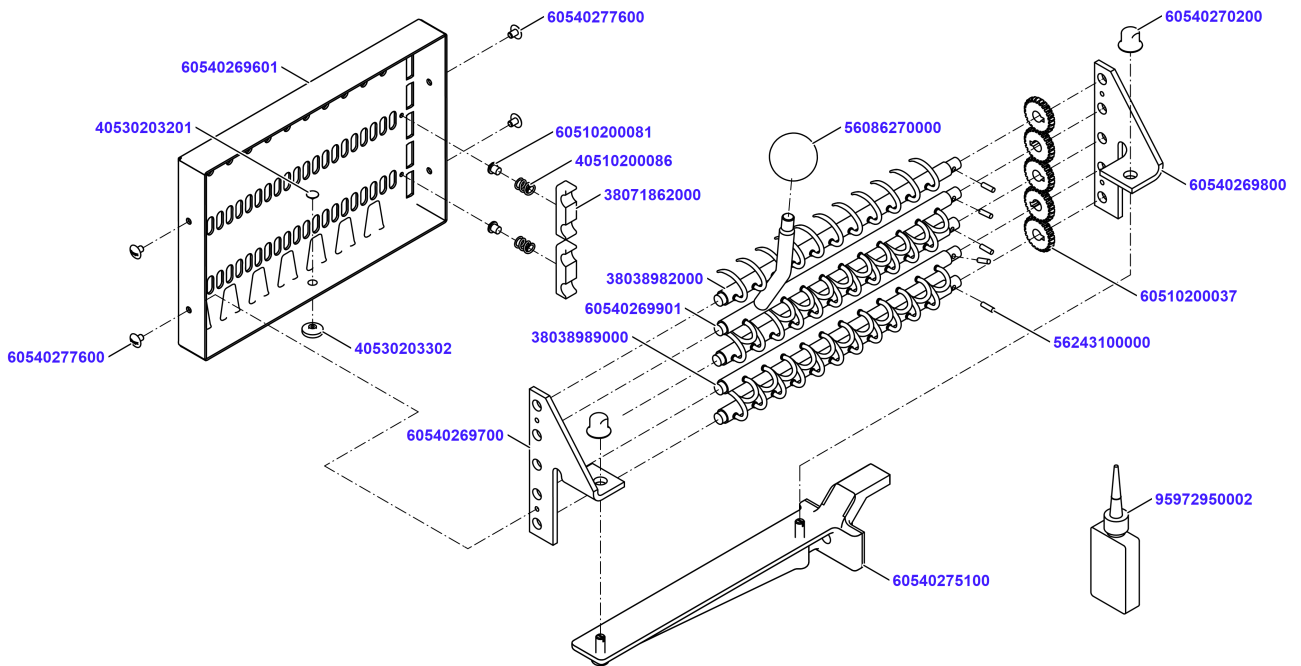


Bolt NSF cpl

Material No.	Qty	Material description
56086260000	1	Ball knob DIN319 M6x25 I
95972950002	0,001	Loctite 243 50 ml 95972950002

available for order
Wear part
Recomm. sp. part
Metr. relevance

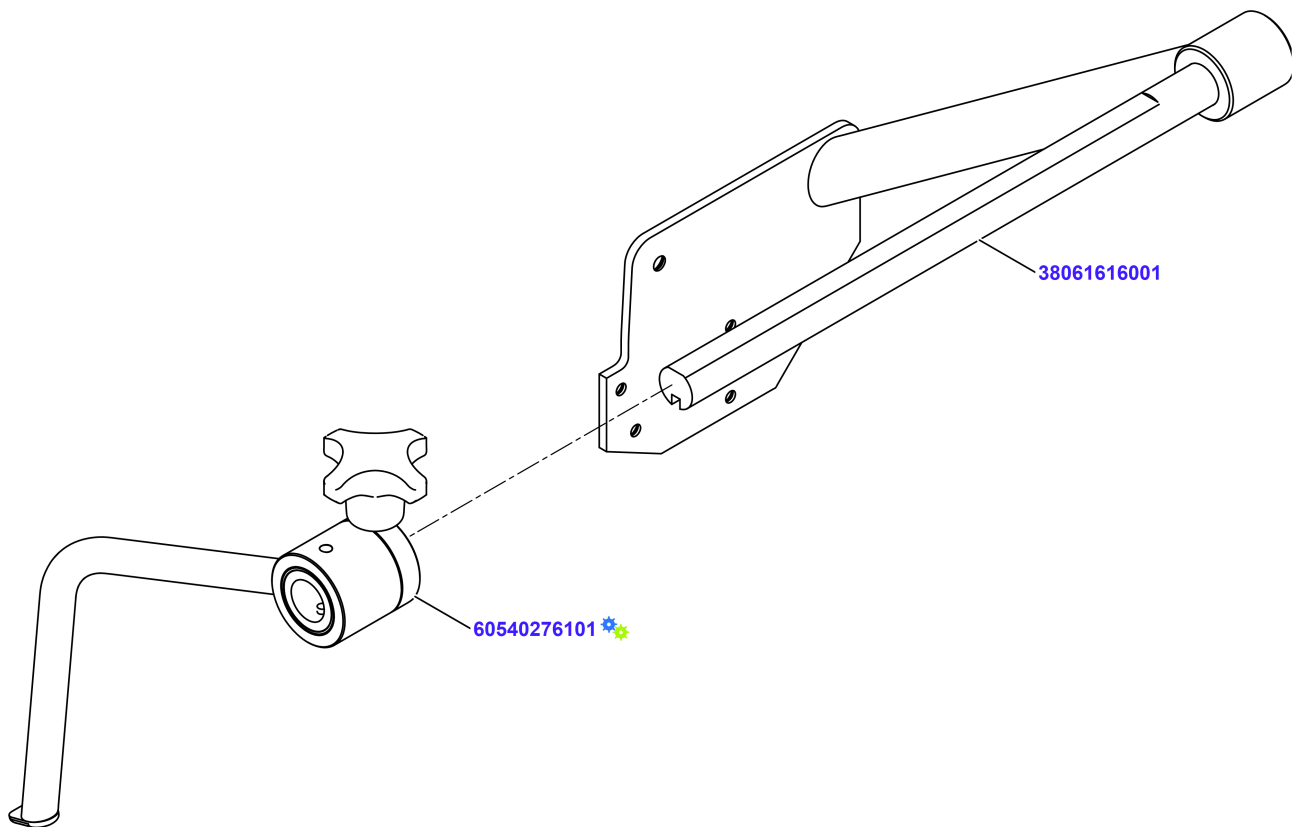
Product holder ass.



Product holder ass.

Material No.	Qty	Material description	available for order	Wear part	Recomm. sp. part	Metr. relevance
60540269601	1	product holder	✓			
60510200081	2	collar stud	✓			
60540269700	1	Side frame left	✓			
60540269800	1	Side frame right	✓			
38038982000	3	Gripper Shaft cpl.	✓			
38038989000	1	Gripper Shaft cpl.	✓			
60540269901	1	Gripper Shaft cpl	✓			
56086270000	1	Ball knob DIN319 M8x32 I	✓			
56243100000	5	Cylindrical pin DIN 7-3h11x10-A2-70	✓			
60510200037	5	Pinion	✓			
40510200086	2	Pressure spring	✓			
38071862000	2	brake pad	✓			
60540277600	4	self-tapping screw	✓			
60540275100	1	Holder preass.	✓			
60540270200	2	cap nut	✓		✓	
95972950002	0,001	Loctite 243 50 ml 95972950002	✓			
40530203201	1	push button	✓			
40530203302	1	sliding piece	✓		✓	

Product Supporter top cpl

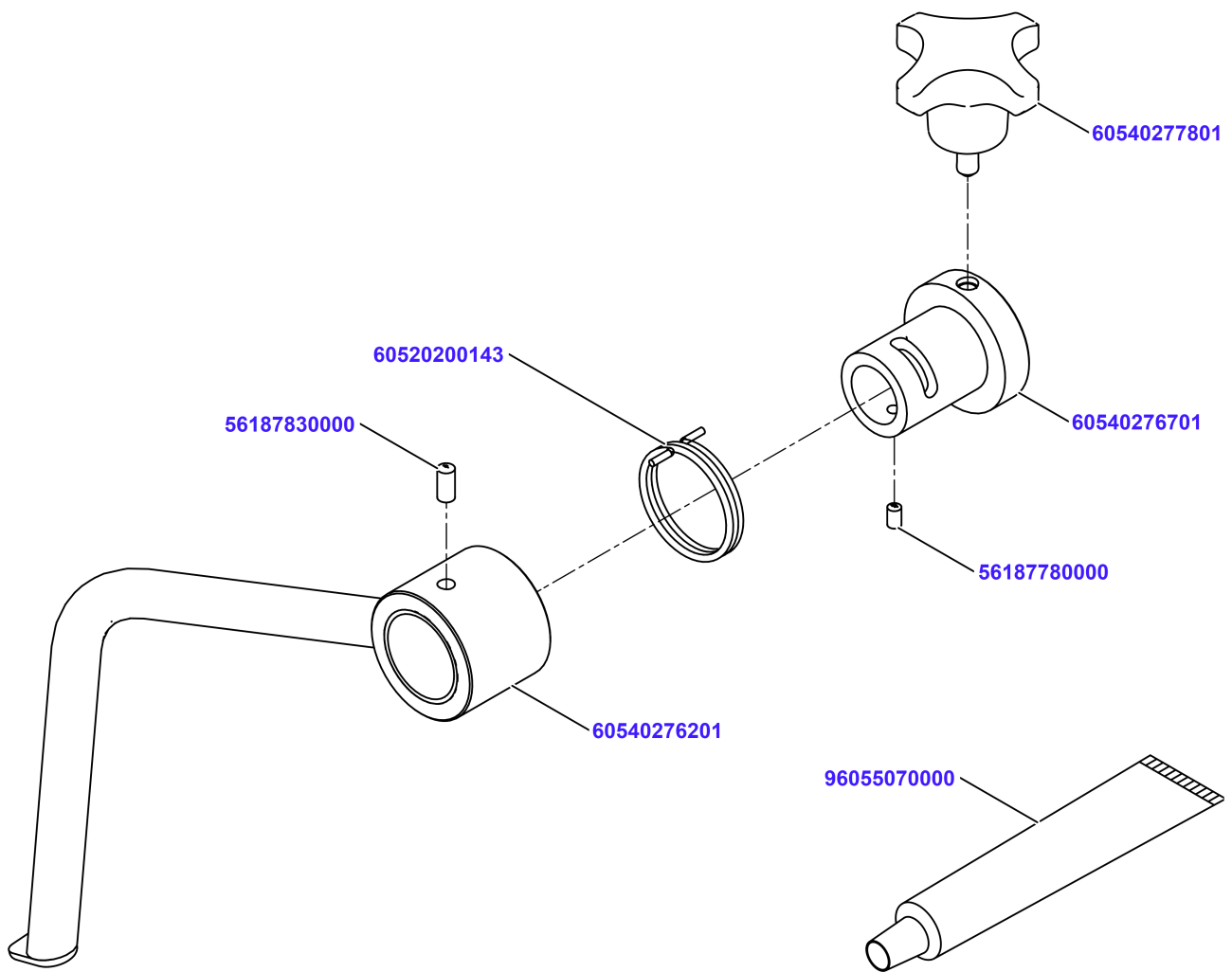


Product Supporter top cpl








Material No.	Qty	Material description
38061616001	1	Mounting with Shaft
60540276101	1	HOULDING DOWN DEVICE ASS.

available for order
Wear part
Recomm. sp. part
Metr. relevance

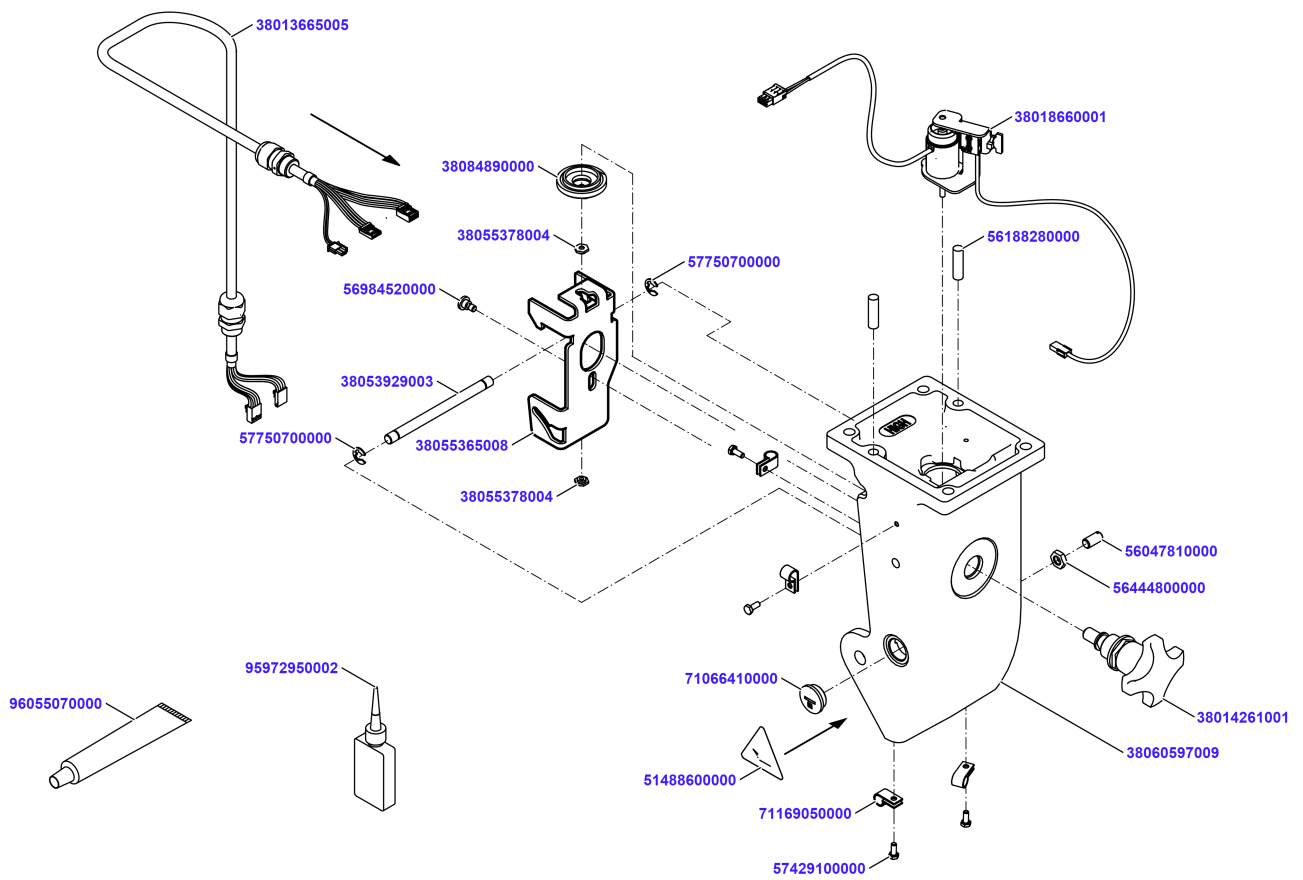
HOULDING DOWN DEVICE ASS.



HOULDING DOWN DEVICE ASS.

Material No.	Qty	Material description	available for order	Wear part	Recomm. sp. part	Metr. relevance
60540276201	1	Holding Down Device preass.				
60540276701	1	hub				
60540277801	1	LOCKING SCREW				
60520200143	1	torsion spring				
56187830000	1	Cylindrical pin EN 22338-5m6x10-A2				
96055070000	0,005	Grease PARALIQ GA 343				
56187780000	1	Cylindrical pin EN 22338-4m6x6-A2				

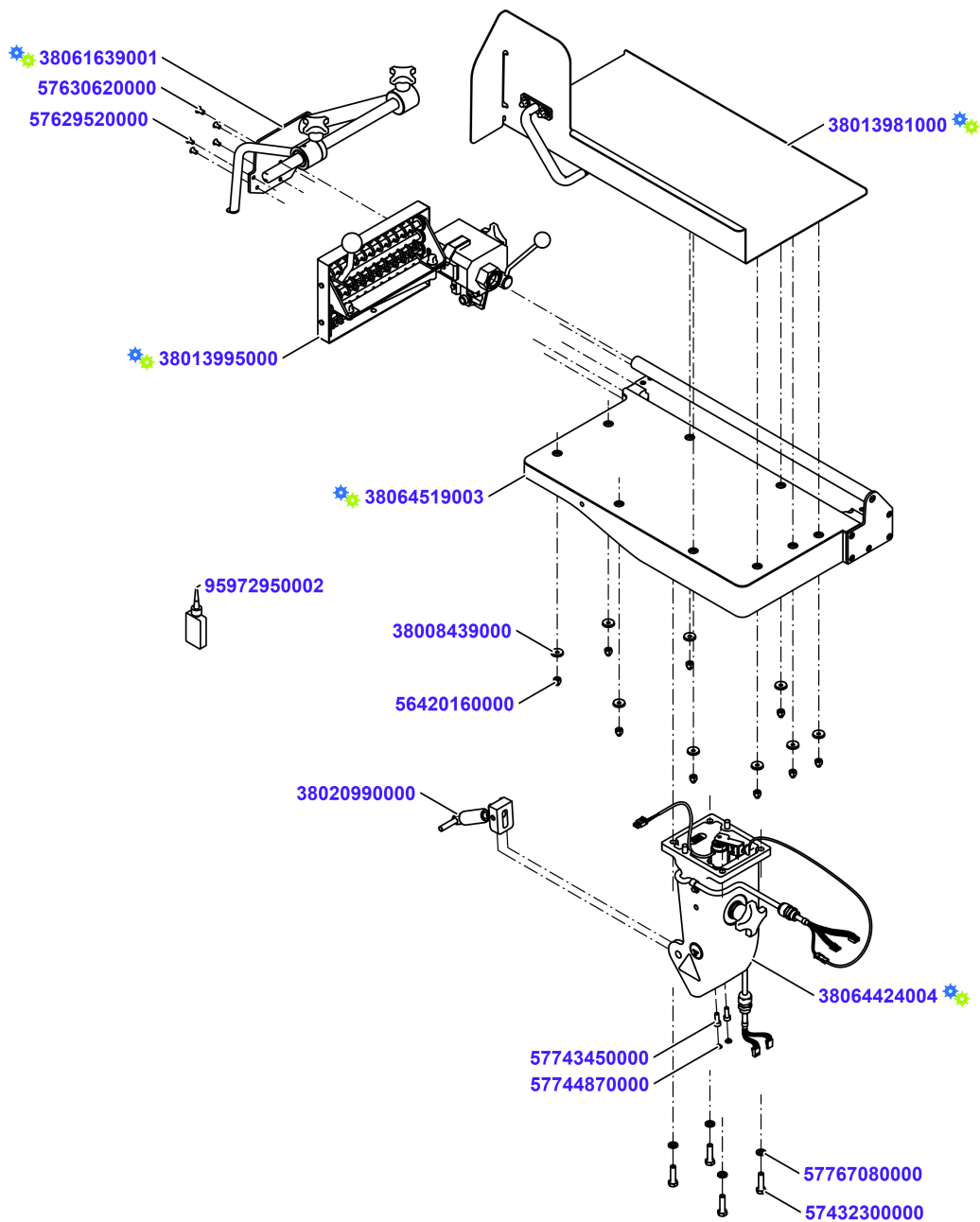
Carriage Foot high cpl



Carriage Foot high cpl

Material No.	Qty	Material description	available for order	Wear part	Recomm. sp. part	Metr. relevance
38060597009	1	Carriage Foot high mach				
56188280000	2	Cylindrical pin EN 22338-8m6x28-A2				
56047810000	1	Set screw DIN551 M8x16-PA 66				
56444800000	1	Hexagon nut DIN439-M8-A2				
38018660001	1	Magnet preass				
38084890000	1	Cap preass				
38055378004	2	Hexagon nut				
95972950002	0,001	Loctite 243 50 ml 95972950002				
38055365008	1	Interlock				
96055070000	0,001	Grease PARALIQ GA 343				
56984520000	1	Pan head screw DIN923 M5x4A2-70				
71066410000	1	Plug Round M20x1.5				
38014261001	1	Handle preass				
38053929003	1	Stop Bolt				
57750700000	2	Retaining washer DIN6799-7				
71169050000	4	Cable Clamp nylon 7,4mm NK-5N				
38013665005	1	Ka Rd 12x24AWG 0,87m				
57429100000	4	Hexagon Screw DIN933 M4x10 A2-70				
51488600000	1	Warning Plate Hand Injury 7.29K				

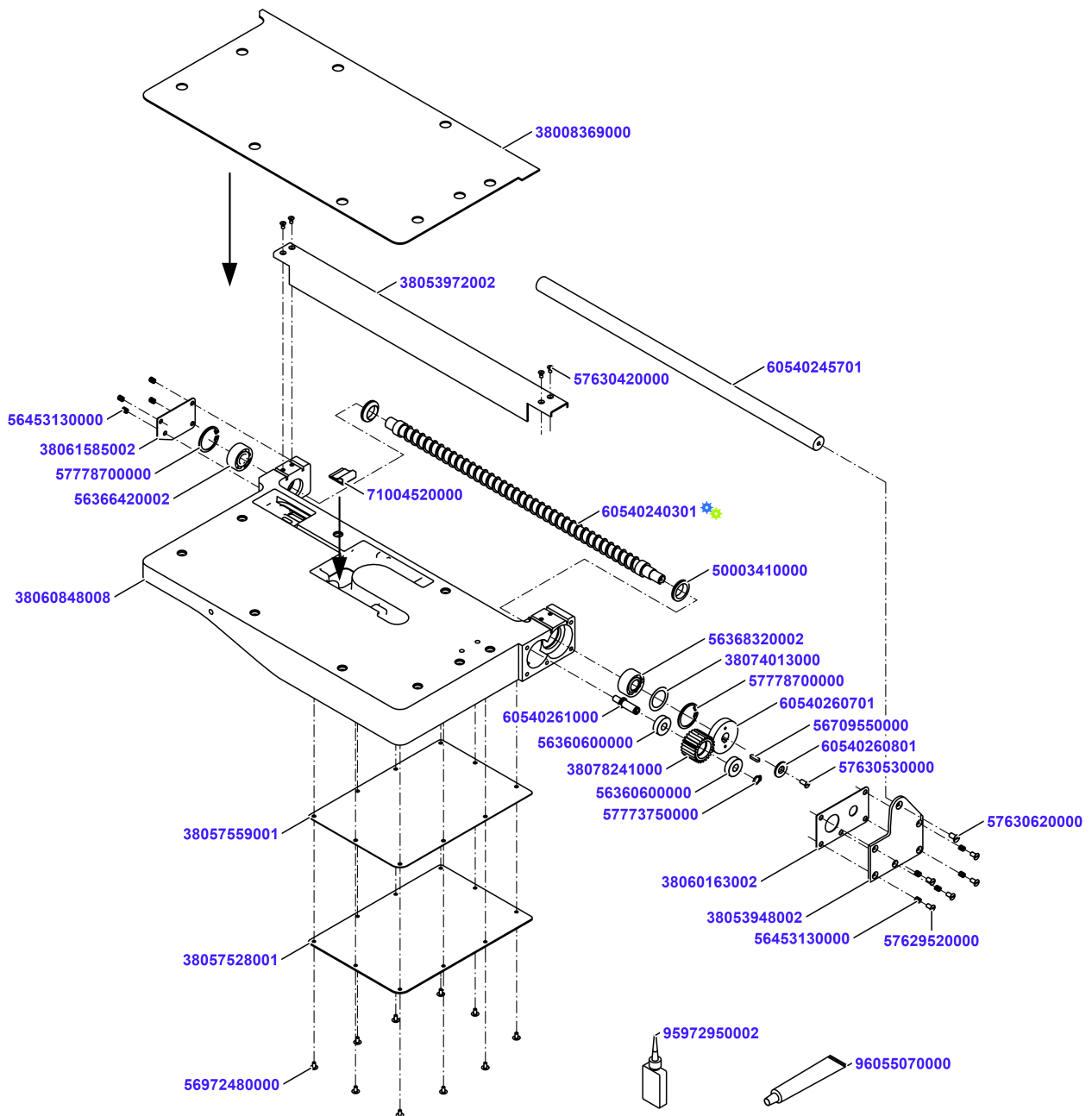
Carriage 400 NSF



Carriage 400 NSF

Material No.	Qty	Material description	available for order	Wear part	Recomm. sp. part	Metr. relevance
38064519003	1	Carriage 400 cpl				
38013981000	1	Carriage Plate 400 preass	✓			
56420160000	9	Cap nut DIN986-M6-A2	✓			
38008439000	9	Sealing washer M6	✓		✓	
38013995000	1	Product Holder non folding NSF cpl				
38061639001	1	Product Supporter top NSF cpl				
57629520000	4	Countersunk Screw DIN 963-M5x10-A2-70	✓			
95972950002	0,001	Loctite 243 50 ml 95972950002	✓			
57630620000	1	Countersunk screw DIN963 M6x12-A2-70	✓			
38064424004	1	Carriage Foot high cpl				
57432300000	4	Hexagon screw DIN933 M8x30 A2-70	✓			
57767080000	4	Spring lock washer DIN128-A8-A2	✓			
38020990000	1	Gas Spring Carriage 400 cpl	✓		✓	
57743450000	2	Cylinder screw DIN912 M6x16-A2-70	✓			
57744870000	2	Protective plug 10x5,2x3,1-PE	✓		✓	

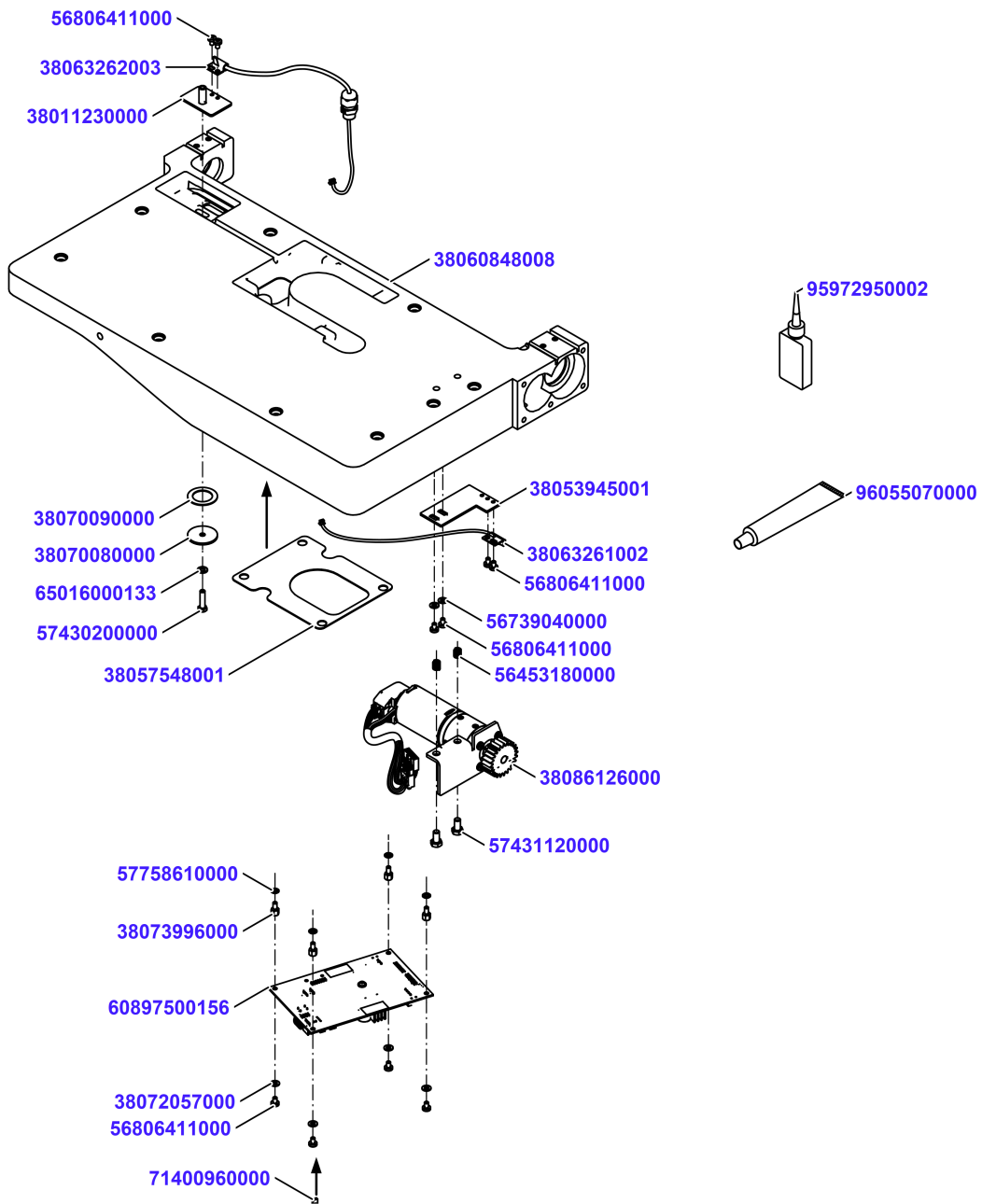
Carriage 400 cpl



Carriage 400 cpl

Material No.	Qty	Material description	available for order	Wear part	Recomm. sp. part	Metr. relevance
38060848008	1	Carriage 400 Cast machined	✓			
56453130000	9	Thread insert M5x7,5-A2	✓			
56366420002	1	Self-Aligning Ball Bearing 2202	✓			
57778700000	1	Retaining ring DIN472-35x1,5	✓			
50003410000	1	Wiper ring 30x20x7	✓			
60540240301	1	Feed Spindle ass.	✓			
50003410000	1	Wiper ring 30x20x7	✓			
56368320002	1	Angular bearing double-row 15x35x15,9	✓			
57778700000	1	Retaining ring DIN472-35x1,5	✓			
38074013000	1	Shim ring DIN988-25x35x0,1	✓			
60540260701	1	Gear Wheel	✓			
96055070000	0,001	Grease PARALIQ GA 343	✓			
56709550000	1	Parallel key DIN6885-A 5x3x16	✓			
60540260801	1	Washer	✓			
57630530000	1	Countersunk Screw DIN963 M5x12-A2-70	✓			
95972950002	0,001	Loctite 243 50 ml 95972950002	✓			
60540261000	1	bolt	✓			
38078241000	1	Gear Wheel	✓			
56360600000	2	Grooved Ball Bearing DIN625 10x26x8	✓			
57773750000	1	Retaining Ring DIN471-10x1 57773750000	✓			
38053972002	1	Guide Rail 400er	✓			
57630420000	4	Countersunk Screw DIN963-M4x8-A2-70	✓			
71004520000	1	Flat Cabel Holder 3484-1000	✓			
38053948002	1	Flange	✓			
38060163002	1	Sealing	✓		✓	
57629520000	5	Countersunk Screw DIN 963-M5x10-A2-70	✓			
38061585002	1	sealing	✓		✓	
60540245701	1	guide shaft	✓			
57630620000	1	Countersunk screw DIN963 M6x12-A2-70	✓			
38008369000	1	Seal Carriage Plate 521x260x2	✓		✓	
38057528001	1	Cover 255,4x177,4x2	✓			
38057559001	1	Seal Cover	✓		✓	
56972480000	10	Mushroom head screw M4x8-A2-70 Tuflok	✓			

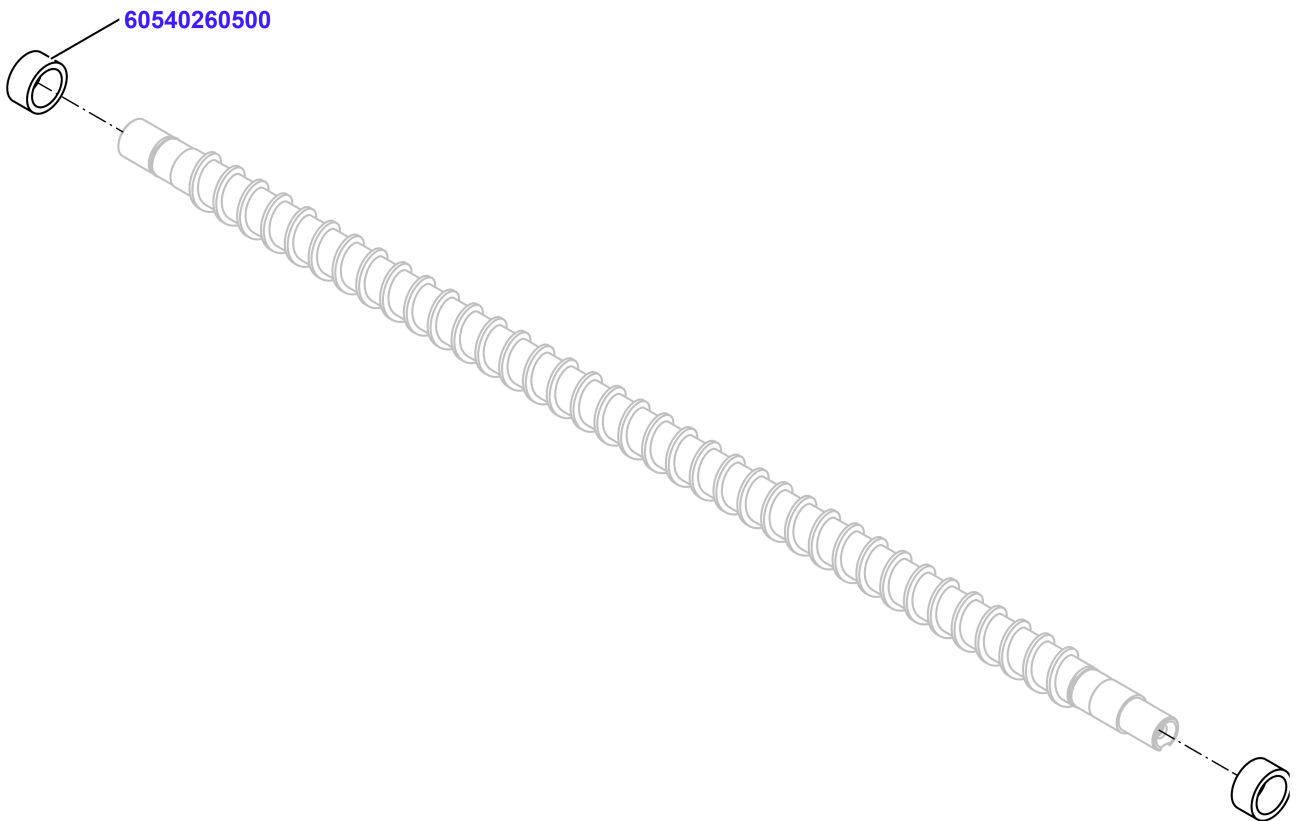
Carriage 400 cpl



Carriage 400 cpl


Material No.	Qty	Material description	available for order	Wear part	Recomm. sp. part	Metr. relevance
38060848008	1	Carriage 400 Cast machined	✓			
56453180000	2	Threaded insert Heli-Coil D M6x9	✓			
96055070000	0,001	Grease PARALIQ GA 343	✓			
95972950002	0,001	Loctite 243 50 ml 95972950002	✓			
38053945001	1	Board	✓			
38063261002	1	Sensor product feeding 1 VSI	✓			
56806411000	4	Oval-Head Screw ISO 14583-M4x6-T20-A2-70	✓			
56739040000	2	Washer DIN 125-A 4.3-A2-70 56739040000	✓			
38011230000	1	Board cpl	✓			
38063262003	1	Sensor product feeding 2 VSI	✓			
56806411000	2	Oval-Head Screw ISO 14583-M4x6-T20-A2-70	✓			
38070080000	1	Washer	✓			
38070090000	1	Sealing	✓		✓	
57430200000	1	Hexagon Screw DIN 933-M5x20-A2-70	✓			
65016000133	1	Washer 5-PA 65016000133	✓			
38086126000	1	Motor Product Feeding BG42x15 cpl	✓			
57431120000	2	Hexagon Screw DIN 933-M6x12-A2-7	✓			
60897500156	1	Bootl.+ PCBA MC 3ph 2ch lv bus	✓			
71400960000	1	SHORT CIRCUIT BRACKET 3131 731000406	✓		✓	
57758610000	4	Toothed washer DIN6797-A 4,3-Fst	✓			
38073996000	4	Distance bolt SW7x6 M4-M4 In-Out	✓			
56806411000	4	Oval-Head Screw ISO 14583-M4x6-T20-A2-70	✓			
38072057000	4	Washer DIN 125-A 4,3-PA6 38072057000	✓			
38057548001	1	Seal	✓		✓	

Feed Spindle ass.

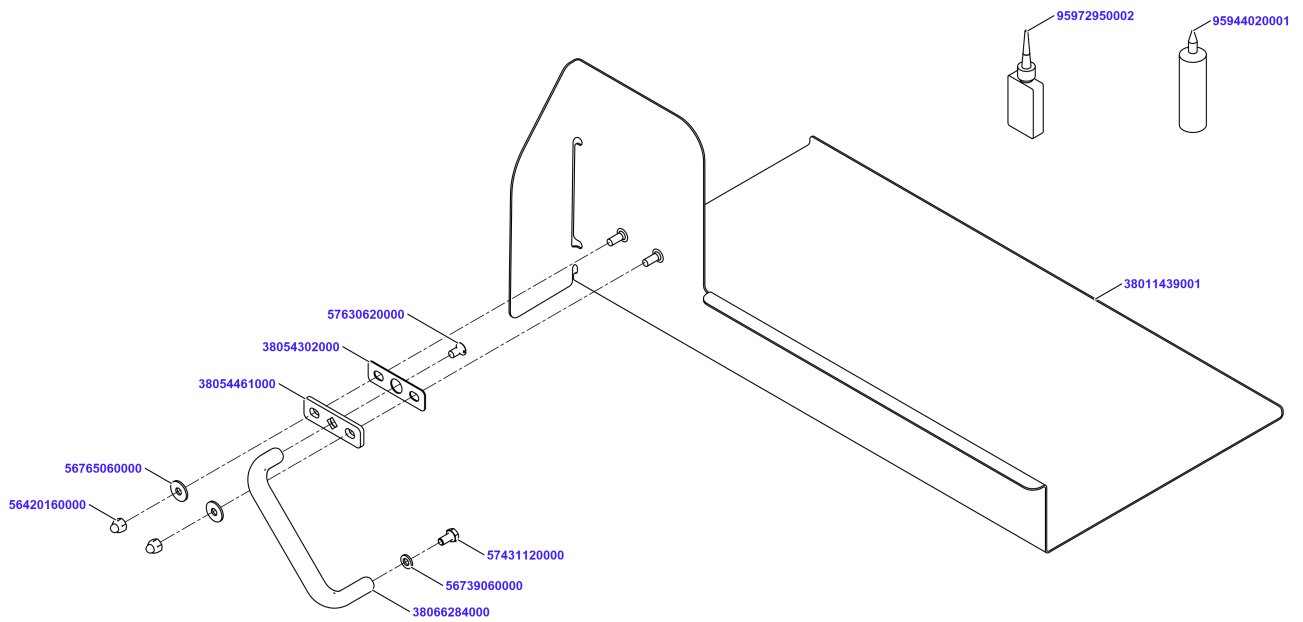


Feed Spindle ass.

Material No.	Qty	Material description
60540260500	2	ring

	available for order	Wear part	Recomm. sp. part	Metr. relevance
---	---------------------	-----------	------------------	-----------------

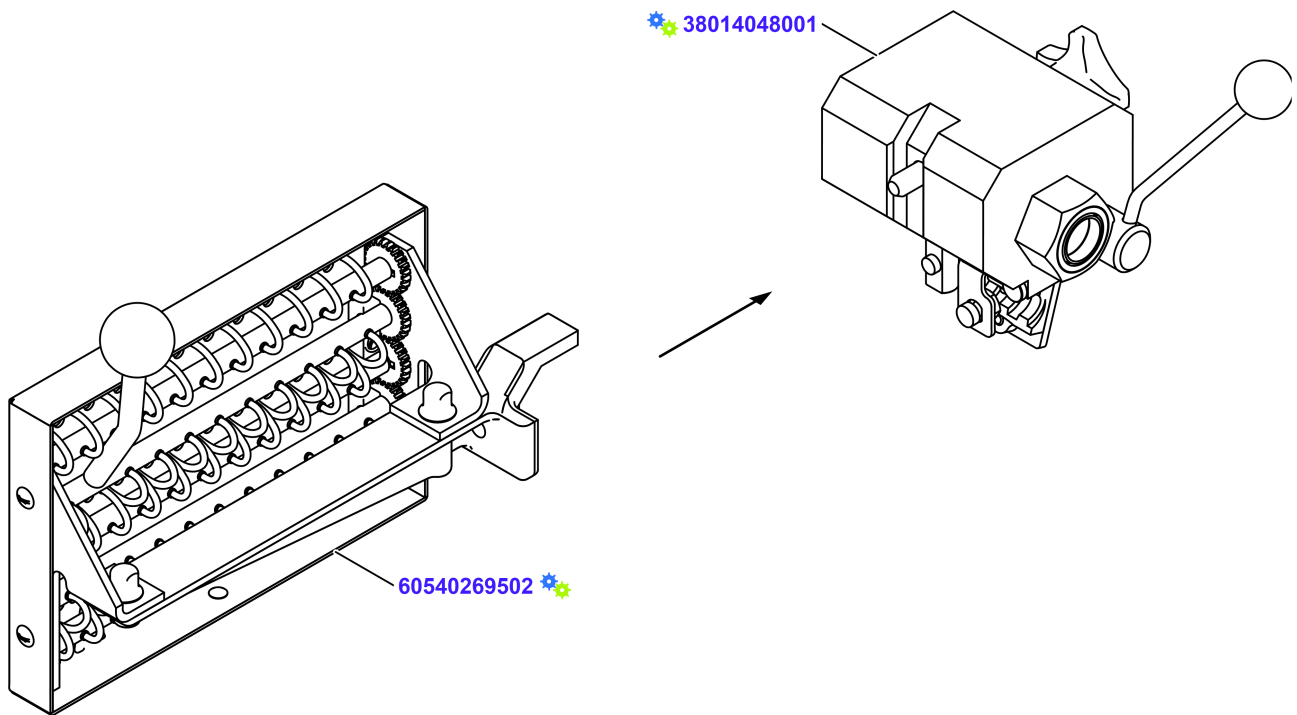
Carriage Plate 400 preass



Carriage Plate 400 preass

Material No.	Qty	Material description	available for order	Wear part	Recomm. sp. part	Metr. relevance
38011439001	1	Carriage Plate welded	✓			
38066284000	1	Handle	✓			
38054461000	1	Plate	✓			
38054302000	1	Gasket	✓		✓	
95944020001	10	Silicone Rubber Elastosil E41 90ml	✓			
57630620000	1	Countersunk screw DIN963 M6x12-A2-70	✓			
95972950002	0,001	Loctite 243 50 ml 95972950002	✓			
56420160000	2	Cap nut DIN986-M6-A2	✓			
56765060000	2	Washer DIN9021-6-A2	✓			
57431120000	1	Hexagon Screw DIN 933-M6x12-A2-7	✓			
56739060000	1	Washer DIN125-A-6-A2	✓			

Product Holder non folding NSF cpl

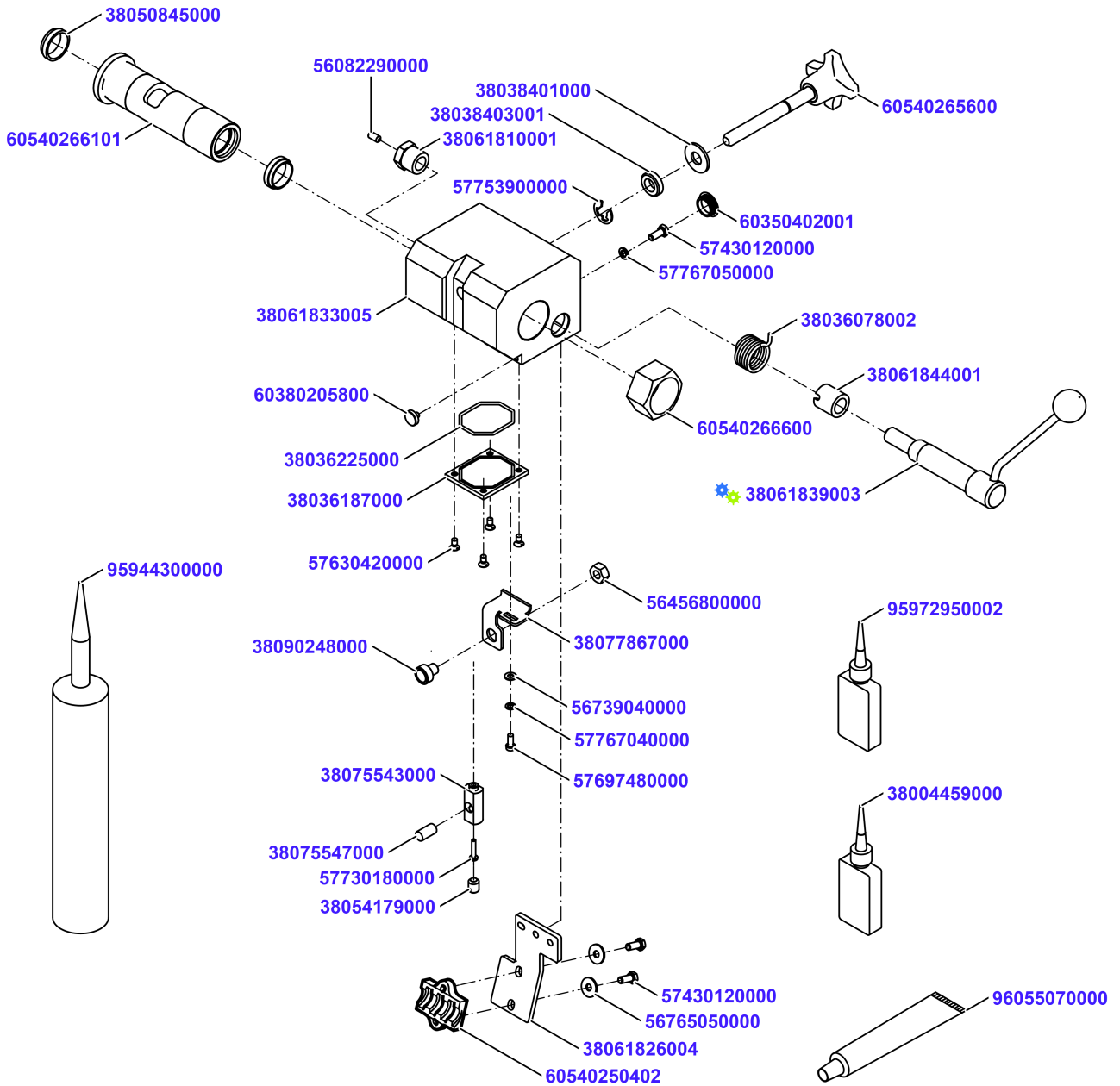


Product Holder non folding NSF cpl

Material No.	Qty	Material description
38014048001	1	Product Holder Guide NSF cpl
60540269502	1	Product holder ass.

available for order
Wear part
Recomm. sp. part
Metr. relevance

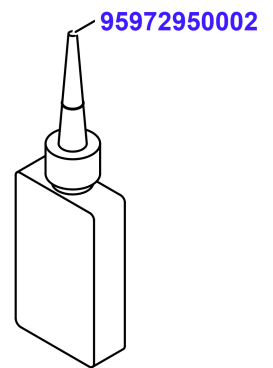
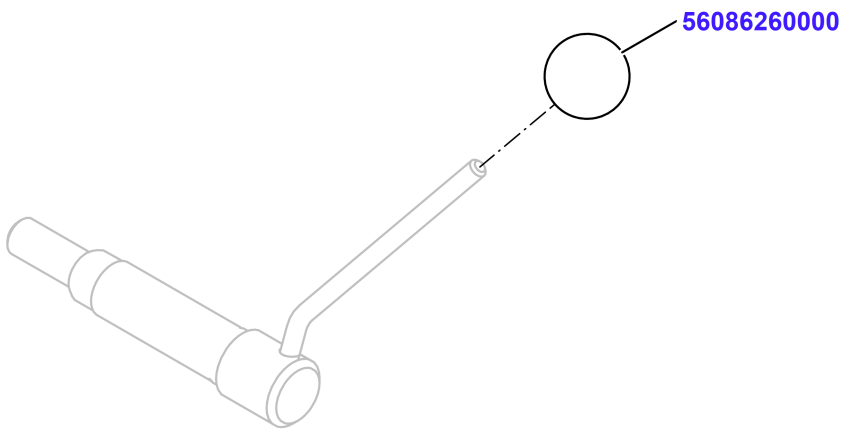
Product Holder Guide NSF cpl



Product Holder Guide NSF cpl

Material No.	Qty	Material description	available for order	Wear part	Recomm. sp. part	Metr. relevance
38061833005	1	Product Holder Guide	✓			
60540265600	1	locking lever mount.	✓			
38038401000	1	washer	✓			
38038403001	1	Bushing 19,1x10,7x5	✓			
57753900000	1	Retaining Washer DIN6799-9 57753900000	✓			
60540266101	1	Bushing complete	✓	✓	✓	
38050845000	2	Deflector Ring	✓			
60540266600	1	hex nut	✓			
38061839003	1	Bolt NSF cpl	✓			
38061844001	1	Sleeve	✓			
38036078002	1	torsion spring left	✓			
96055070000	0,005	Grease PARALIQ GA 343	✓			
38061810001	1	Screw Nut	✓			
38004459000	0,001	Loctite 648	✓			
56082290000	1	Set screw DIN438 M5x10-A2-70	✓			
95972950002	0,001	Loctite 243 50 ml 95972950002	✓			
38061826004	1	Holder	✓			
60540250402	1	Nut Plate	✓	✓	✓	
56765050000	2	Washer DIN 9021-5_3-A2-70 56765050000	✓			
57767050000	1	Spring lock washer DIN128-A5-FSt	✓			
57430120000	3	Hexagon Screw DIN 933-M5x12-A2-70	✓			
60350402001	1	Protective plug	✓			
95944300000	1	Kitchen silicone ELASTO4710	✓			
38036187000	1	cover	✓			
38036225000	1	seal	✓		✓	
57630420000	4	Countersunk Screw DIN963-M4x8-A2-70	✓			
38077867000	1	Magnet Base	✓			
38090248000	1	Magnet Vacodym 370 wz round 10x4 preass	✓		✓	
56456800000	1	Hexagon Nut DIN 934-M8-A2-70	✓			
57697480000	1	Cylinder screw DIN84 M4x10-A2-70	✓			
56739040000	1	Washer DIN 125-A 4.3-A2-70 56739040000	✓			
57767040000	1	Spring lock washer DIN128-A4-FSt	✓			
38075543000	1	Mounting Pin	✓			
57730180000	1	Oval-head screw ISO14583 M3x16-A2-70-T10	✓			
38075547000	1	Parallel Pin 8x15	✓			
38054179000	1	Set screw DIN438 M8x10-A2-70	✓			
60380205800	1	SLIDE PIN	✓			

Bolt NSF cpl

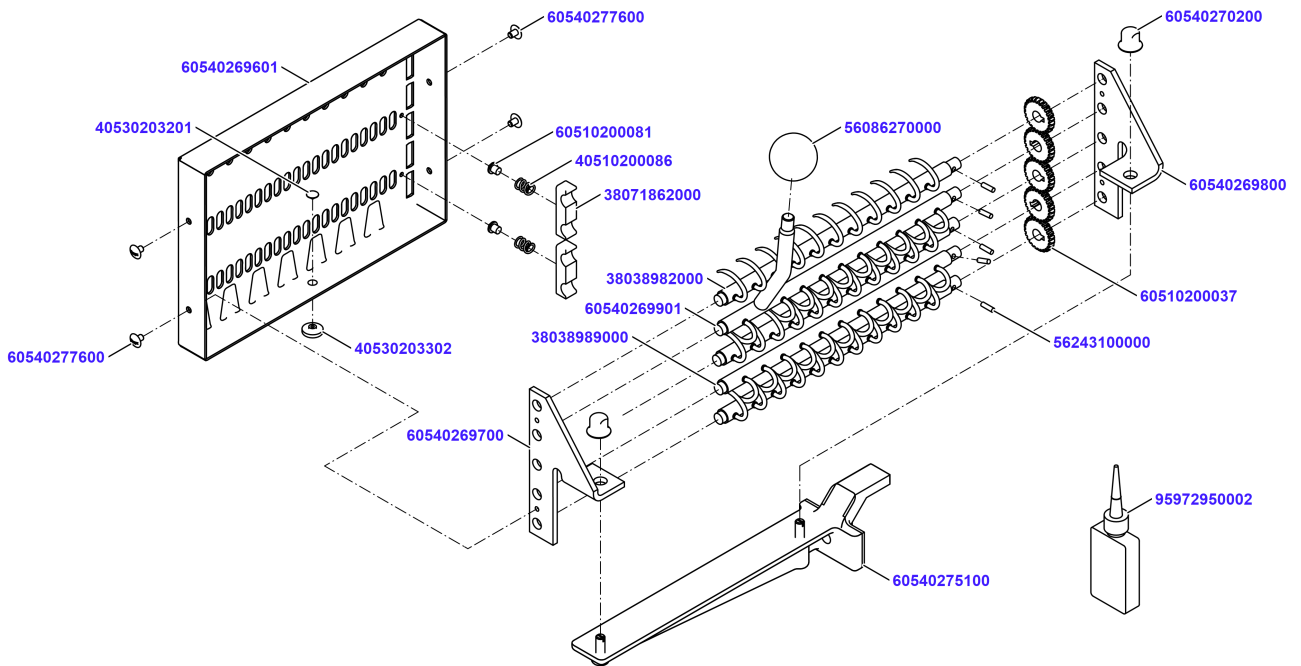


Bolt NSF cpl

Material No.	Qty	Material description
56086260000	1	Ball knob DIN319 M6x25 I
95972950002	0,001	Loctite 243 50 ml 95972950002

available for order
Wear part
Recomm. sp. part
Metr. relevance

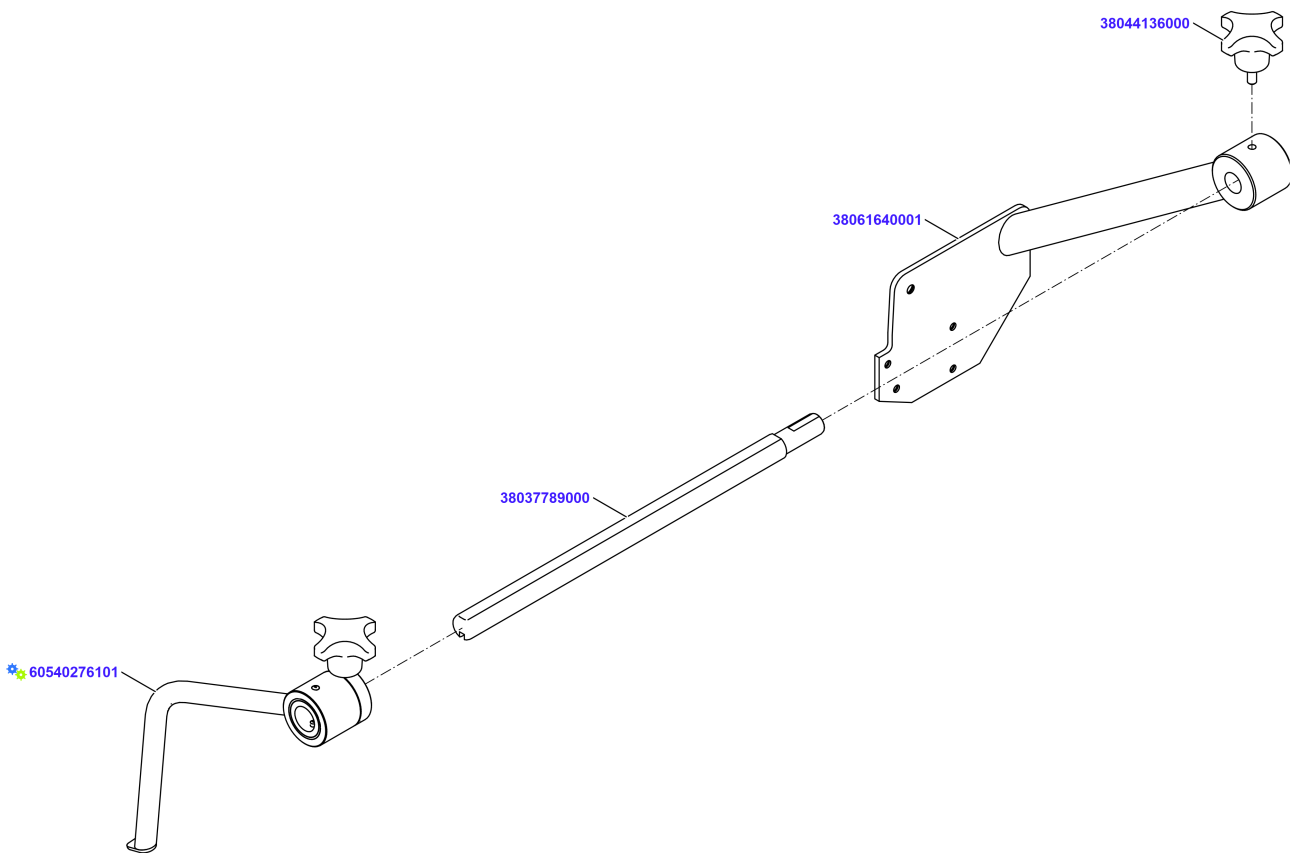
Product holder ass.



Product holder ass.

Material No.	Qty	Material description	available for order	Wear part	Recomm. sp. part	Metr. relevance
60540269601	1	product holder	✓			
60510200081	2	collar stud	✓			
60540269700	1	Side frame left	✓			
60540269800	1	Side frame right	✓			
38038982000	3	Gripper Shaft cpl.	✓			
38038989000	1	Gripper Shaft cpl.	✓			
60540269901	1	Gripper Shaft cpl	✓			
56086270000	1	Ball knob DIN319 M8x32 I	✓			
56243100000	5	Cylindrical pin DIN 7-3h11x10-A2-70	✓			
60510200037	5	Pinion	✓			
40510200086	2	Pressure spring	✓			
38071862000	2	brake pad	✓			
60540277600	4	self-tapping screw	✓			
60540275100	1	Holder preass.	✓			
60540270200	2	cap nut	✓		✓	
95972950002	0,001	Loctite 243 50 ml 95972950002	✓			
40530203201	1	push button	✓			
40530203302	1	sliding piece	✓		✓	

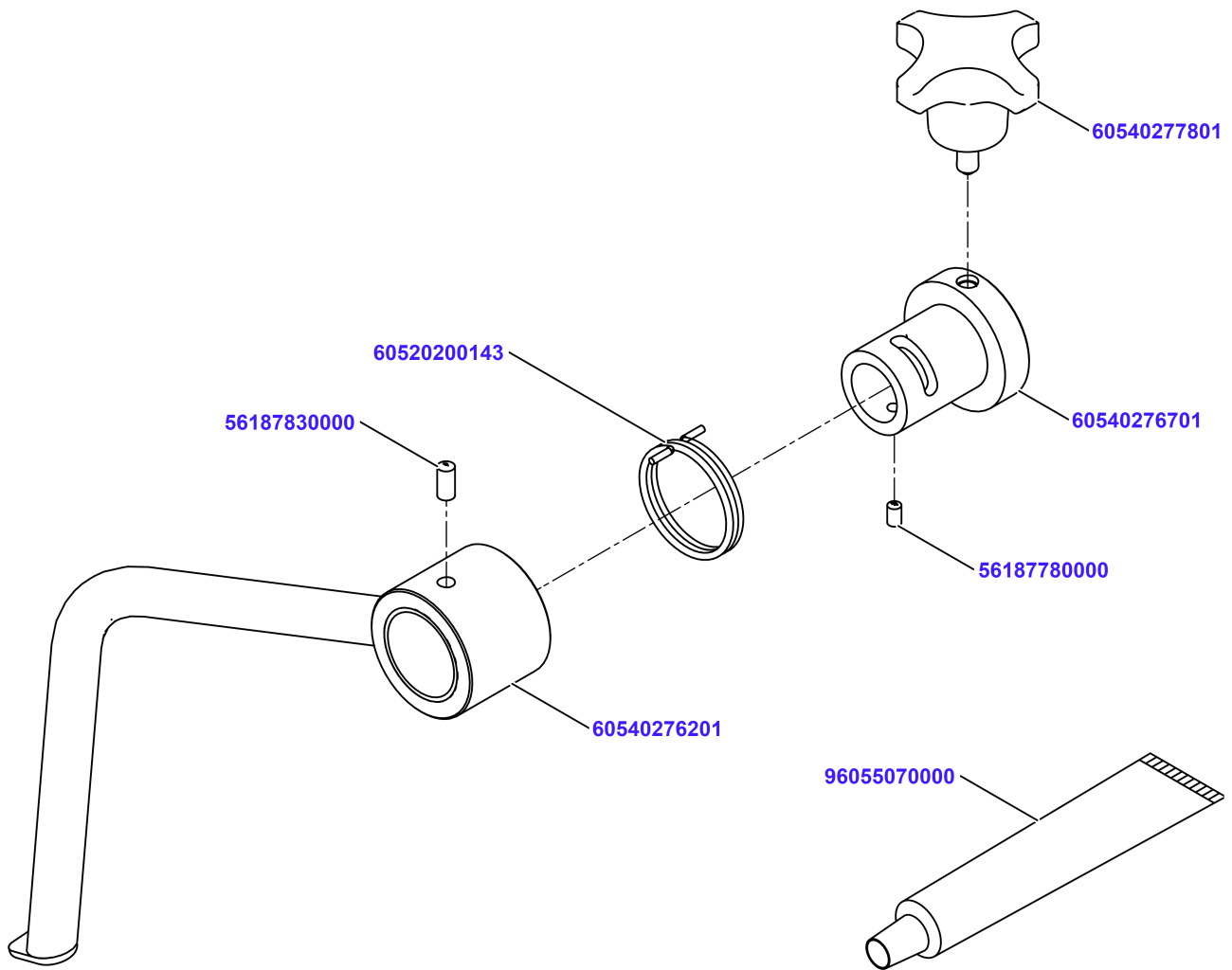
Product Supporter top NSF cpl










Product Supporter top NSF cpl

Material No.	Qty	Material description	available for order	Wear part	Recomm. sp. part	Metr. relevance
38061640001	1	Mounting welded	✓			
38037789000	1	shaft	✓			
60540276101	1	HOULDING DOWN DEVICE ASS.	✓			
38044136000	1	LOCKING SCREW	✓			

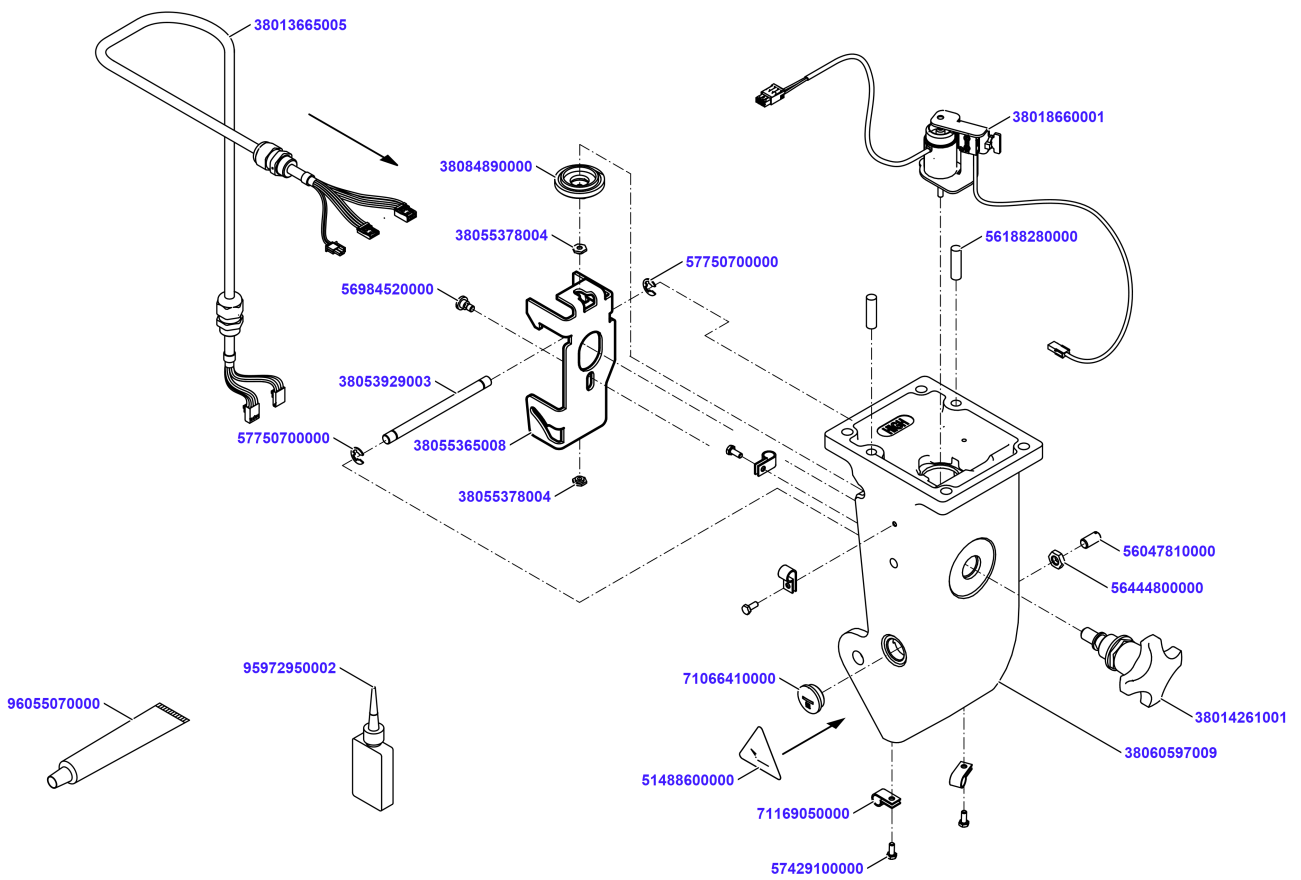
HOULDING DOWN DEVICE ASS.



HOULDING DOWN DEVICE ASS.

Material No.	Qty	Material description	available for order	Wear part	Recomm. sp. part	Metr. relevance
60540276201	1	Holding Down Device preass.				
60540276701	1	hub				
60540277801	1	LOCKING SCREW				
60520200143	1	torsion spring				
56187830000	1	Cylindrical pin EN 22338-5m6x10-A2				
96055070000	0,005	Grease PARALIQ GA 343				
56187780000	1	Cylindrical pin EN 22338-4m6x6-A2				

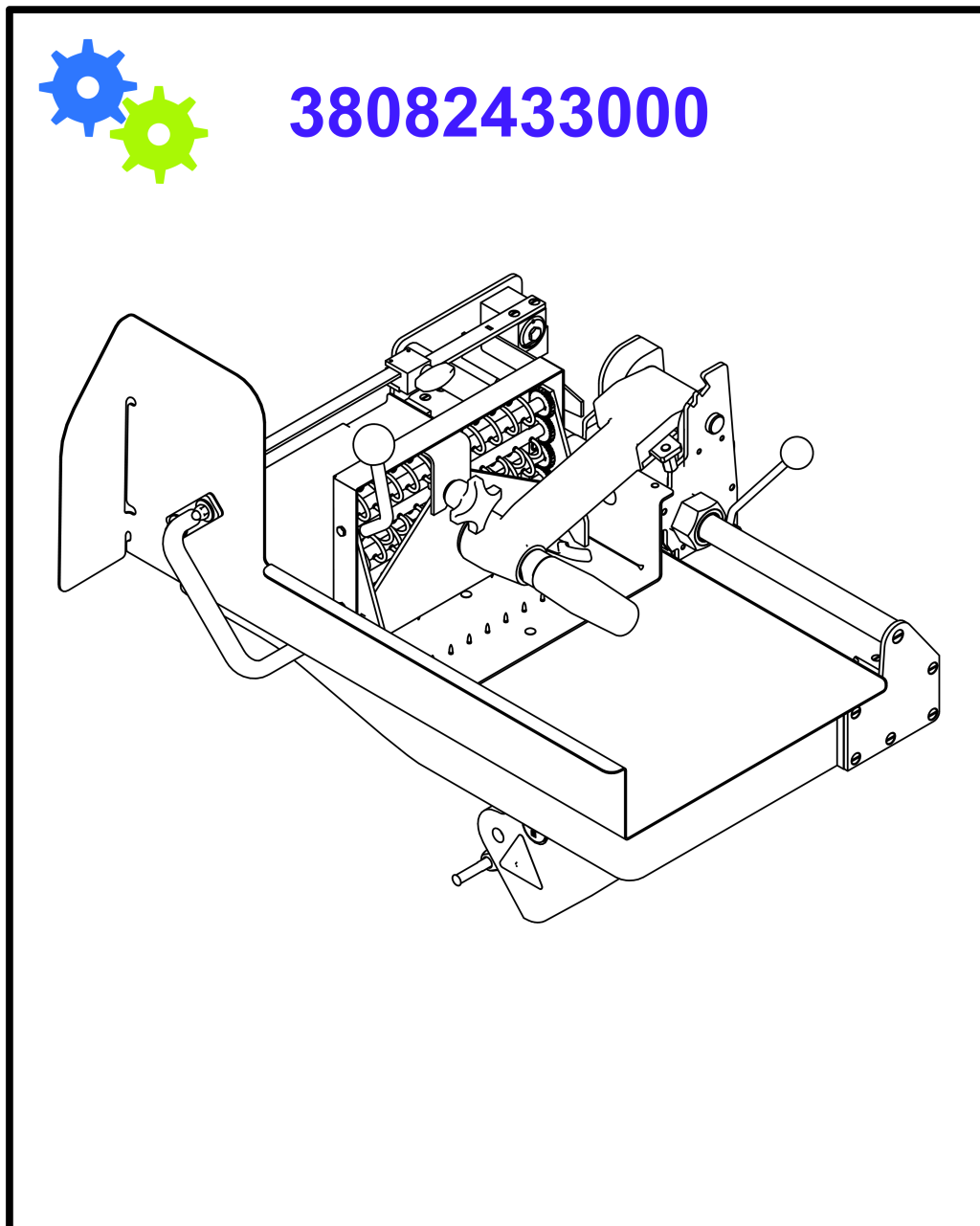
Carriage Foot high cpl



Carriage Foot high cpl

Material No.	Qty	Material description	available for order	Wear part	Recomm. sp. part	Metr. relevance
38060597009	1	Carriage Foot high mach	✓			
56188280000	2	Cylindrical pin EN 22338-8m6x28-A2	✓			
56047810000	1	Set screw DIN551 M8x16-PA 66	✓			
56444800000	1	Hexagon nut DIN439-M8-A2	✓			
38018660001	1	Magnet preass	✓	✓		
38084890000	1	Cap preass	✓			
38055378004	2	Hexagon nut	✓			
95972950002	0,001	Loctite 243 50 ml 95972950002	✓			
38055365008	1	Interlock	✓			
96055070000	0,001	Grease PARALIQ GA 343	✓			
56984520000	1	Pan head screw DIN923 M5x4A2-70	✓			
71066410000	1	Plug Round M20x1.5	✓			
38014261001	1	Handle preass	✓			
38053929003	1	Stop Bolt	✓			
57750700000	2	Retaining washer DIN6799-7	✓			
71169050000	4	Cable Clamp nylon 7,4mm NK-5N	✓			
38013665005	1	Ka Rd 12x24AWG 0,87m	✓			
57429100000	4	Hexagon Screw DIN933 M4x10 A2-70	✓			
51488600000	1	Warning Plate Hand Injury 7.29K	✓			

Carriage stroke 270mm as from 11540650

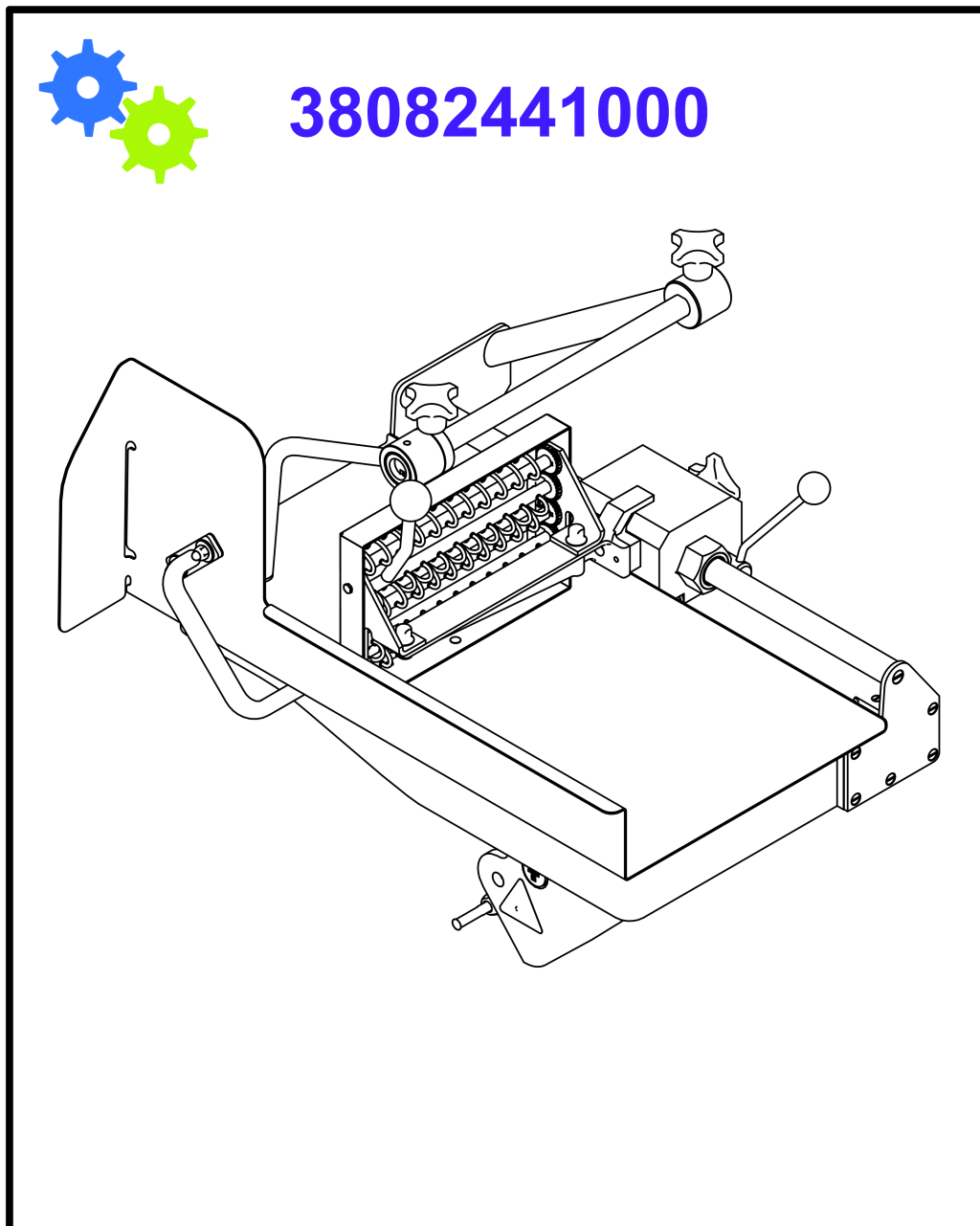


Carriage stroke 270mm as from 11540650

Material No.	Qty	Material description
38082433000	1	Carriage 400 with Peaks

<input checked="" type="checkbox"/>	<input type="checkbox"/>	<input type="checkbox"/>	<input type="checkbox"/>
available for order	Wear part	Recomm. sp. part	Metr. relevance

Carriage stroke 270mm as from 11540650

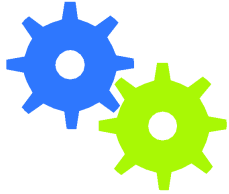


Carriage stroke 270mm as from 11540650

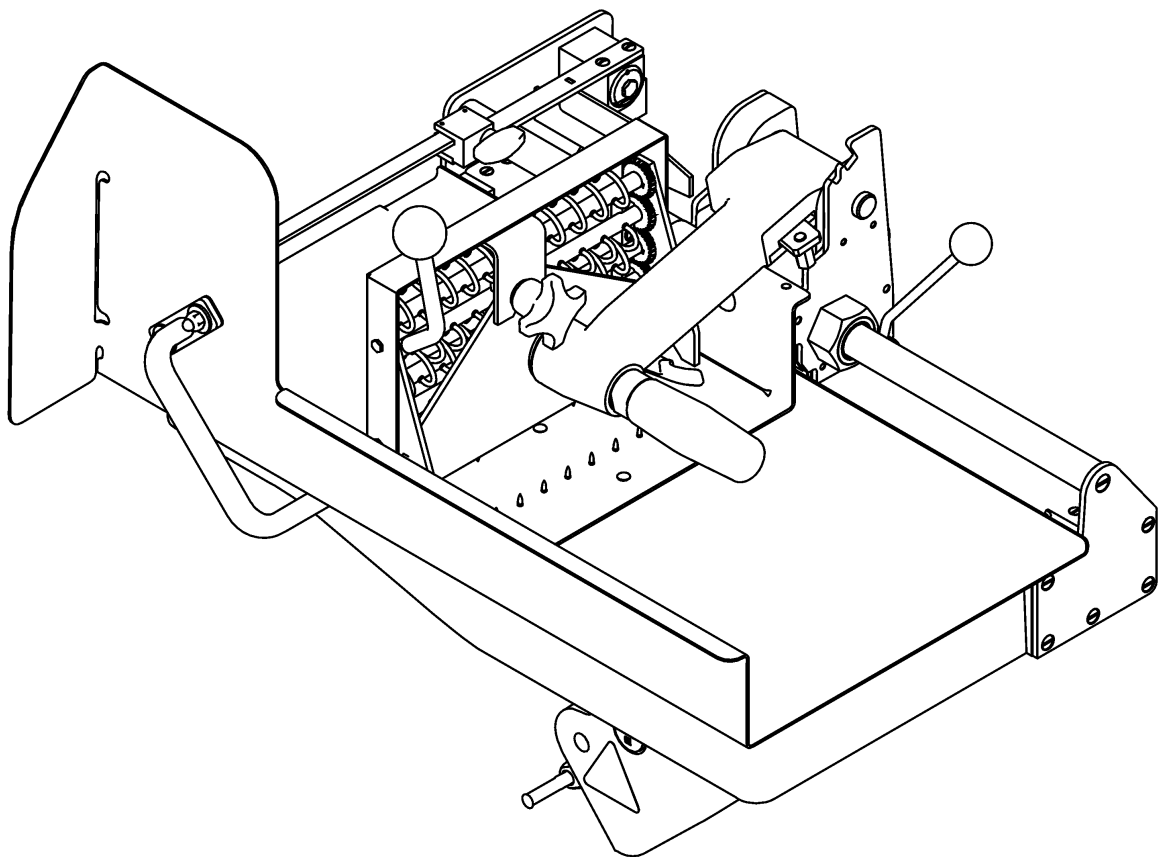
available for order
Wear part
Recomm. sp. part
Metr. relevance

Material No.	Qty	Material description
38082441000	1	Carriage 400 NSF

Carriage stroke 270mm as from 11540650



38116888001



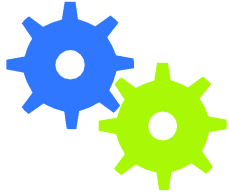
Carriage stroke 270mm as from 11540650

Material No.	Qty	Material description
38116888001	1	Carriage 400 with Peaks

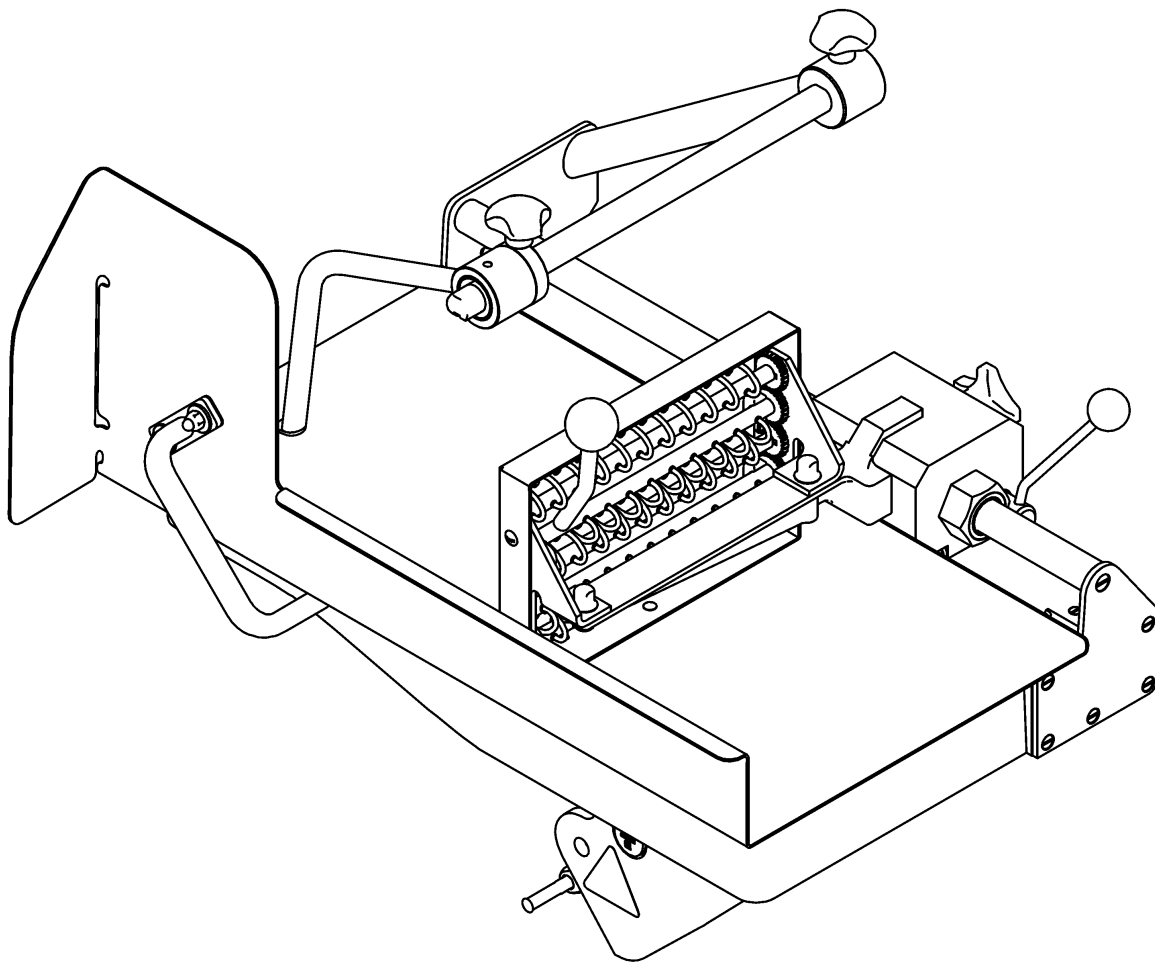
available for order
Wear part
Recomm. sp. part
Metr. relevance



Carriage stroke 270mm as from 11540650



38116978001



Carriage stroke 270mm as from 11540650

Material No.	Qty	Material description
--------------	-----	----------------------

38116978001	1	Carriage 400 NSF
-----------------------------	---	------------------

available for order

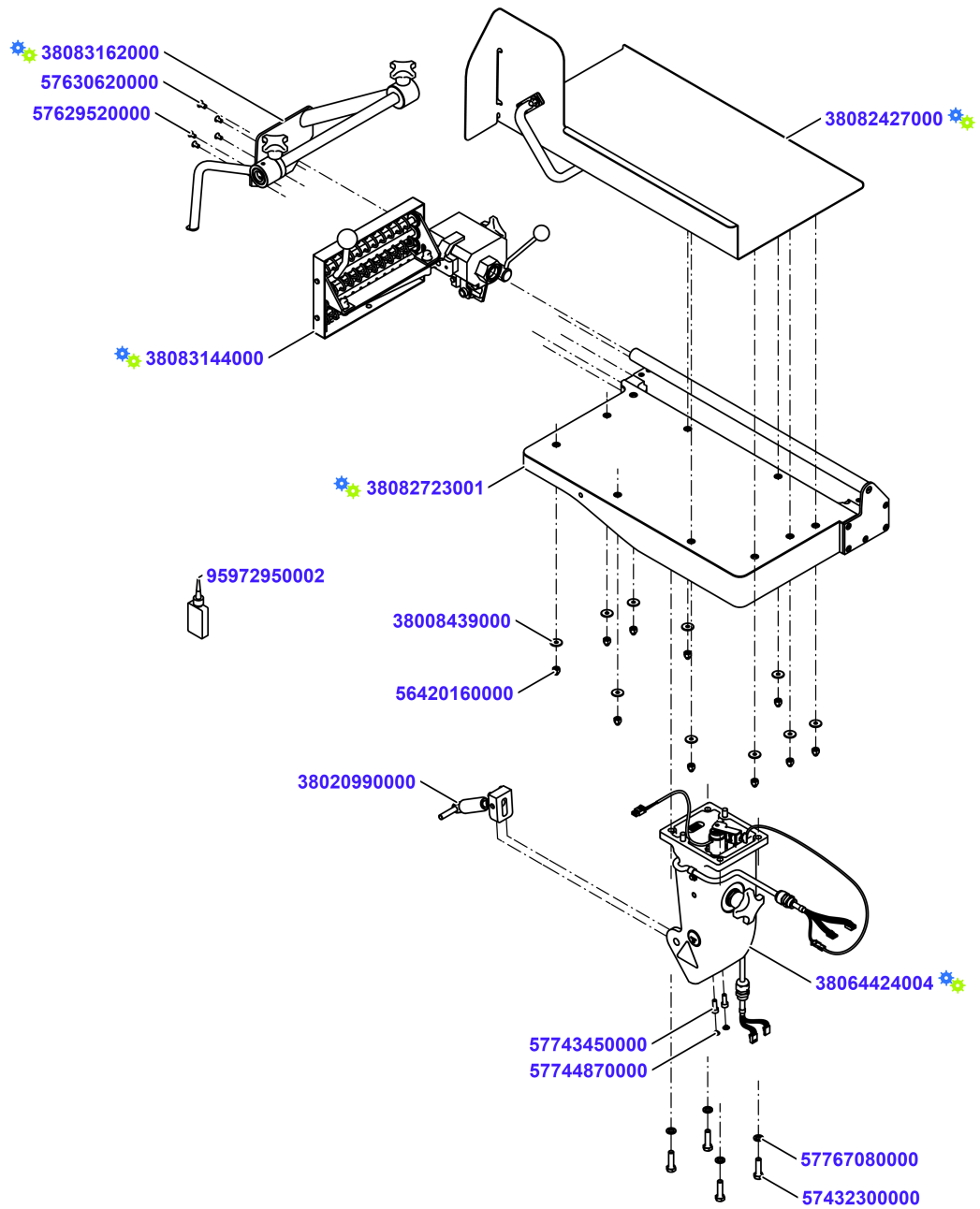
Wear part

Recomm. sp. part

Metr. relevance



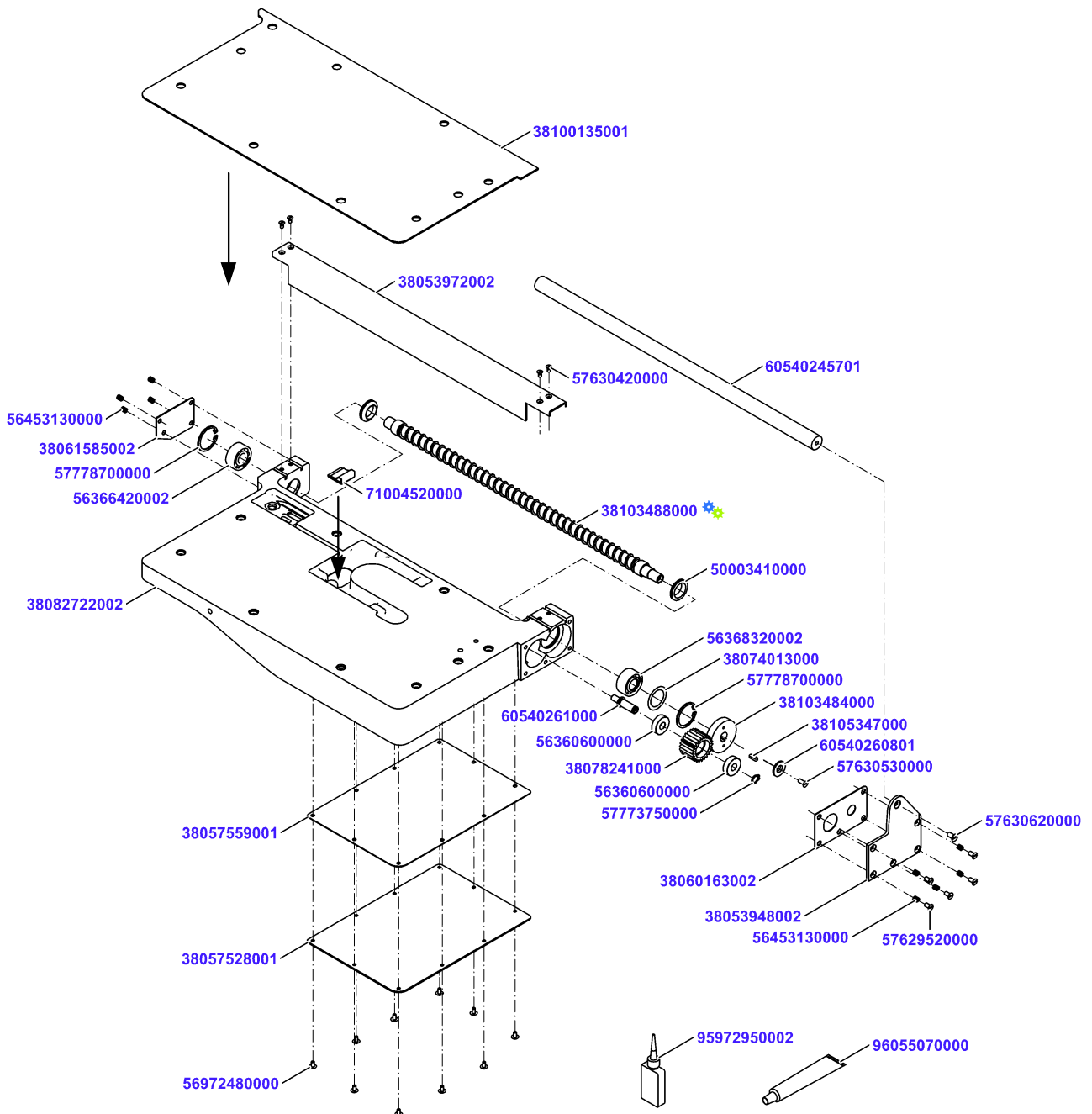
Carriage 400 NSF



Carriage 400 NSF

Material No.	Qty	Material description	available for order	Wear part	Recomm. sp. part	Metr. relevance
38082723001	1	Carriage 400 cpl				
38082427000	1	Carriage Plate 400 preass	✓			
56420160000	10	Cap nut DIN986-M6-A2	✓			
38008439000	10	Sealing washer M6	✓		✓	
38083144000	1	Product Holder non folding NSF cpl				
38083162000	1	Product Supporter top NSF cpl				
57629520000	4	Countersunk Screw DIN 963-M5x10-A2-70	✓			
95972950002	0,001	Loctite 243 50 ml 95972950002	✓			
57630620000	1	Countersunk screw DIN963 M6x12-A2-70	✓			
38064424004	1	Carriage Foot high cpl				
57432300000	4	Hexagon screw DIN933 M8x30 A2-70	✓			
57767080000	4	Spring lock washer DIN128-A8-A2	✓			
38020990000	1	Gas Spring Carriage 400 cpl	✓		✓	
57743450000	2	Cylinder screw DIN912 M6x16-A2-70	✓			
57744870000	2	Protective plug 10x5,2x3,1-PE	✓		✓	

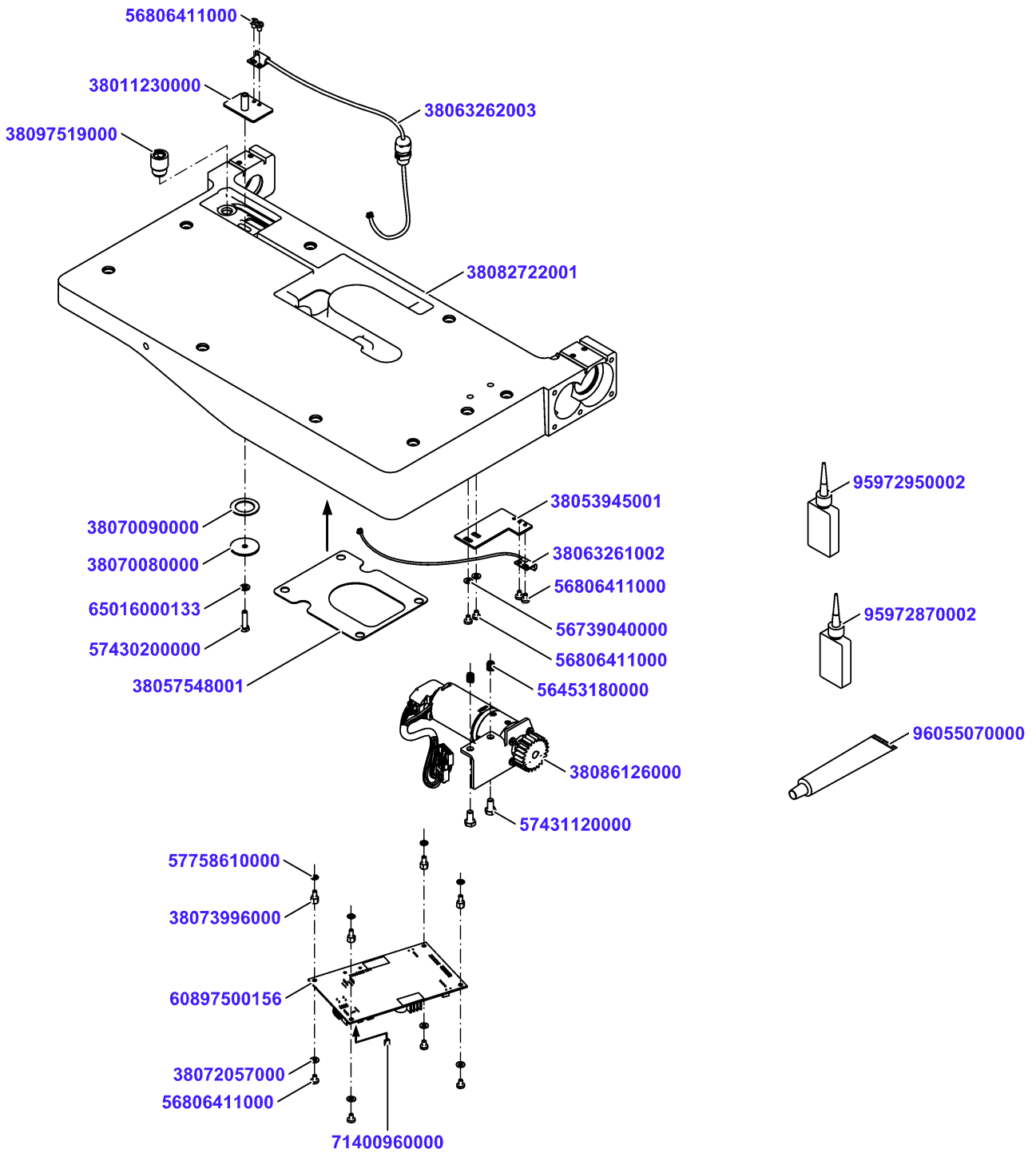
Carriage 400 cpl



Carriage 400 cpl

Material No.	Qty	Material description	available for order	Wear part	Recomm. sp. part	Metr. relevance
38082722002	1	Carriage 400 Cast machined	✓			
56453130000	9	Thread insert M5x7,5-A2	✓			
56366420002	1	Self-Aligning Ball Bearing 2202	✓			
57778700000	1	Retaining ring DIN472-35x1,5	✓			
50003410000	1	Wiper ring 30x20x7	✓			
38103488000	1	feed spindle ass.	✓			
50003410000	1	Wiper ring 30x20x7	✓			
56368320002	1	Angular bearing double-row 15x35x15,9	✓			
57778700000	1	Retaining ring DIN472-35x1,5	✓			
38074013000	1	Shim ring DIN988-25x35x0,1	✓			
38103484000	1	Gear Wheel	✓			
96055070000	0,001	Grease PARALIQ GA 343	✓			
38105347000	1	Parallel key DIN6885-A 5x3x14	✓			
60540260801	1	Washer	✓			
57630530000	1	Countersunk Screw DIN963 M5x12-A2-70	✓			
95972950002	0,001	Loctite 243 50 ml 95972950002	✓			
60540261000	1	bolt	✓			
38078241000	1	Gear Wheel	✓			
56360600000	2	Grooved Ball Bearing DIN625 10x26x8	✓			
57773750000	1	Retaining Ring DIN471-10x1 57773750000	✓			
38053972002	1	Guide Rail 400er	✓			
57630420000	4	Countersunk Screw DIN963-M4x8-A2-70	✓			
71004520000	1	Flat Cabel Holder 3484-1000	✓			
38053948002	1	Flange	✓			
38060163002	1	Sealing	✓		✓	
57629520000	5	Countersunk Screw DIN 963-M5x10-A2-70	✓			
38061585002	1	sealing	✓		✓	
60540245701	1	guide shaft	✓			
57630620000	1	Countersunk screw DIN963 M6x12-A2-70	✓			
38100135001	1	Flat Seal Carriage Plate 400	✓		✓	
38057528001	1	Cover 255,4x177,4x2	✓		✓	
38057559001	1	Seal Cover	✓		✓	
56972480000	10	Mushroom head screw M4x8-A2-70 Tuflok	✓		✓	

Carriage 400 cpl




Carriage 400 cpl

Material No.	Qty	Material description	available for order	Wear part	Recomm. sp. part	Metr. relevance
56453180000	2	Threaded insert Heli-Coil D M6x9	✓			
96055070000	0,001	Grease PARALIQ GA 343	✓			
95972950002	0,001	Loctite 243 50 ml 95972950002	✓			
38053945001	1	Board	✓			
38063261002	1	Sensor product feeding 1 VSI	✓			
56806411000	4	Oval-Head Screw ISO 14583-M4x6-T20-A2-70	✓			
56739040000	2	Washer DIN 125-A 4.3-A2-70 56739040000	✓			
38011230000	1	Board cpl	✓			
38063262003	1	Sensor product feeding 2 VSI	✓			
56806411000	2	Oval-Head Screw ISO 14583-M4x6-T20-A2-70	✓			
38070080000	1	Washer	✓			
38070090000	1	Sealing	✓		✓	
57430200000	1	Hexagon Screw DIN 933-M5x20-A2-70	✓			
65016000133	1	Washer 5-PA 65016000133	✓			
38097519000	1	Sleeve 18 x 10 x 24.25	✓			
95972870002	0,001	Loctite 638 95972870002	✓			
38086126000	1	Motor Product Feeding BG42x15 cpl	✓			
57431120000	2	Hexagon Screw DIN 933-M6x12-A2-7	✓			
71400960000	1	SHORT CIRCUIT BRACKET 3131 731000406	✓		✓	
57758610000	4	Toothed washer DIN6797-A 4,3-Fst	✓			
38073996000	4	Distance bolt SW7x6 M4-M4 In-Out	✓			
56806411000	4	Oval-Head Screw ISO 14583-M4x6-T20-A2-70	✓			
38072057000	4	Washer DIN 125-A 4,3-PA6 38072057000	✓			
38057548001	1	Seal	✓		✓	

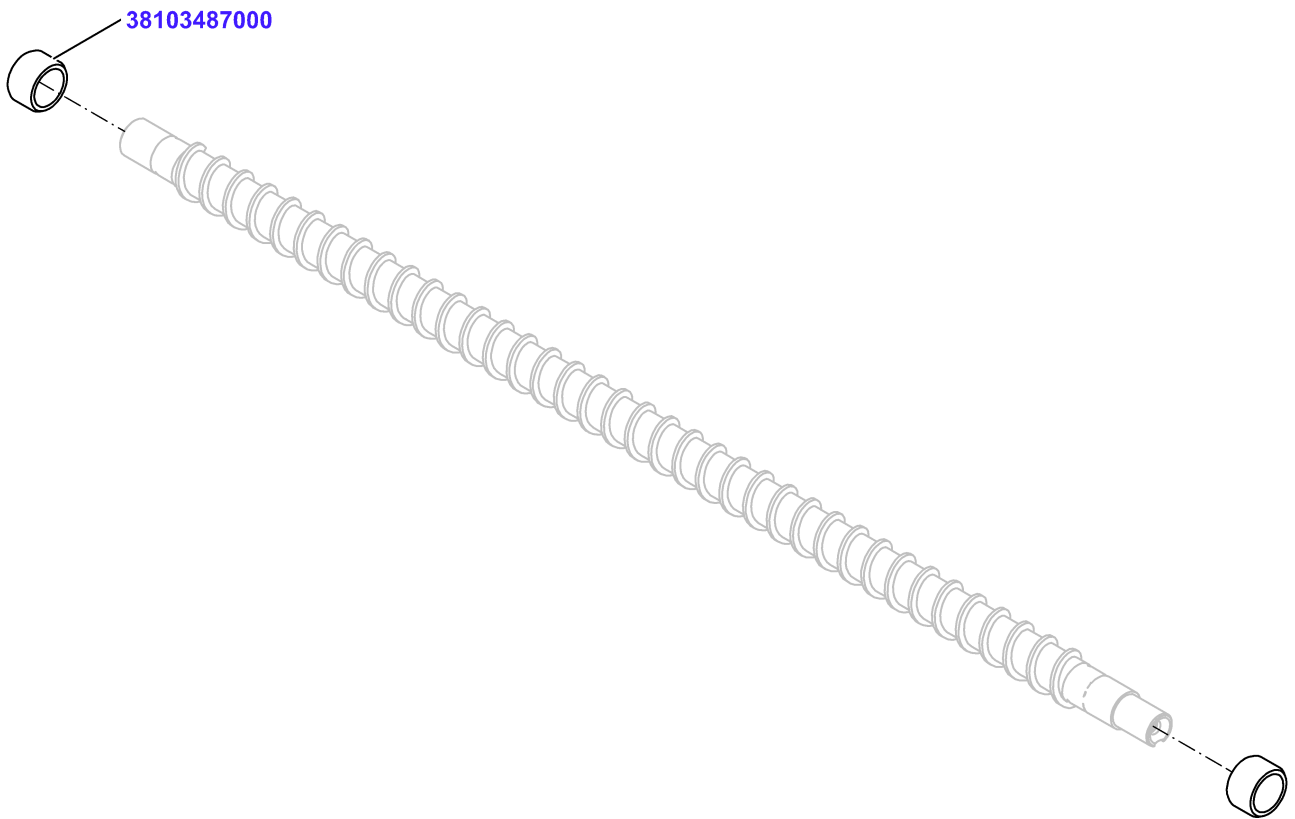
Carriage 400 cpl

Carriage 400 cpl

Material No.	Qty	Material description
60897500157	1	PCBAP MC 3ph 2ch lv bus


	available for order
	Wear part
	Recomm. sp. part
	Metr. relevance

feed spindle ass.

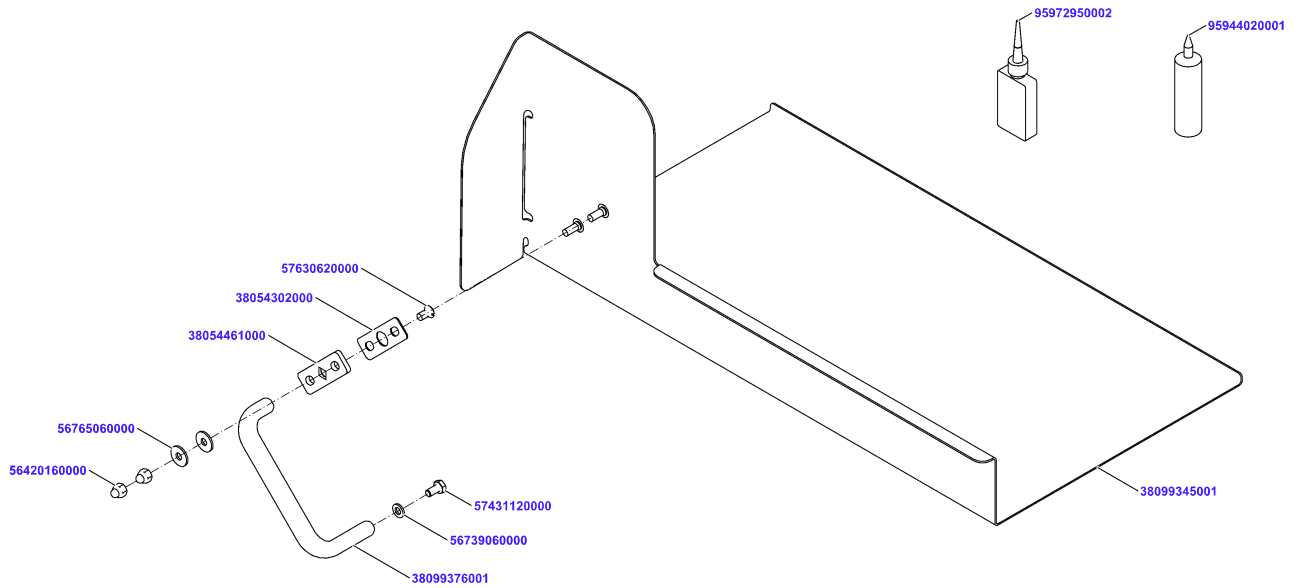


feed spindle ass.

Material No.	Qty	Material description
38103487000	2	Ring

	available for order
	Wear part
	Recomm. sp. part
	Metr. relevance

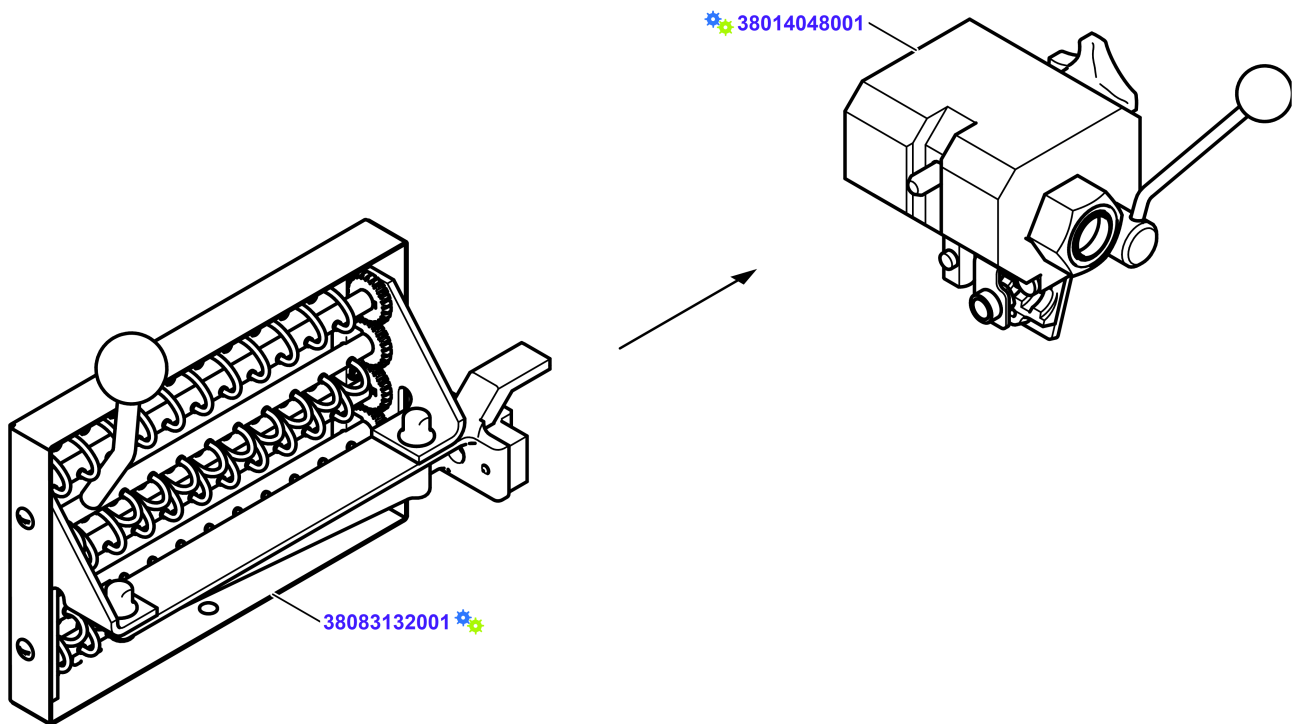
Carriage Plate 400 preass



Carriage Plate 400 preass

Material No.	Qty	Material description	available for order	Wear part	Recomm. sp. part	Metr. relevance
38099345001	1	Carriage Plate welded	✓			
38099376001	1	Handle	✓			
38054461000	1	Plate	✓			
38054302000	1	Gasket	✓		✓	
95944020001	10	Silicone Rubber Elastosil E41 90ml	✓			
57630620000	1	Countersunk screw DIN963 M6x12-A2-70	✓			
95972950002	0,001	Loctite 243 50 ml 95972950002	✓			
56420160000	2	Cap nut DIN986-M6-A2	✓			
56765060000	2	Washer DIN9021-6-A2	✓			
57431120000	1	Hexagon Screw DIN 933-M6x12-A2-7	✓			
56739060000	1	Washer DIN125-A-6-A2	✓			

Product Holder non folding NSF cpl



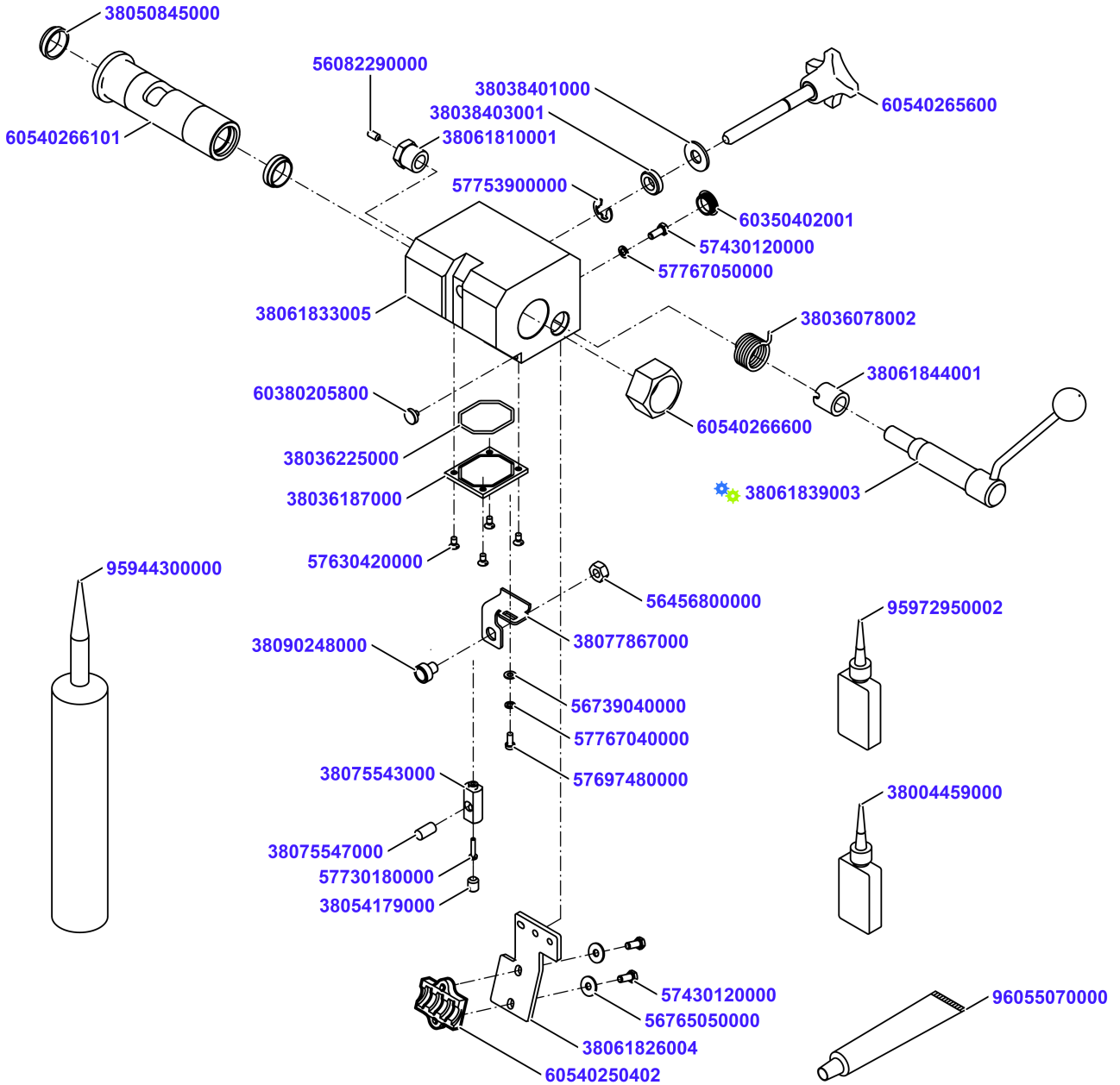
Product Holder non folding NSF cpl

Material No.	Qty	Material description
38014048001	1	Product Holder Guide NSF cpl
38083132001	1	Product Holder cpl. VSI

available for order
Wear part
Recomm. sp. part
Metr. relevance



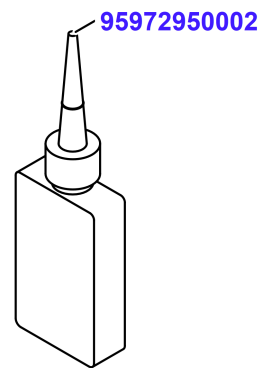
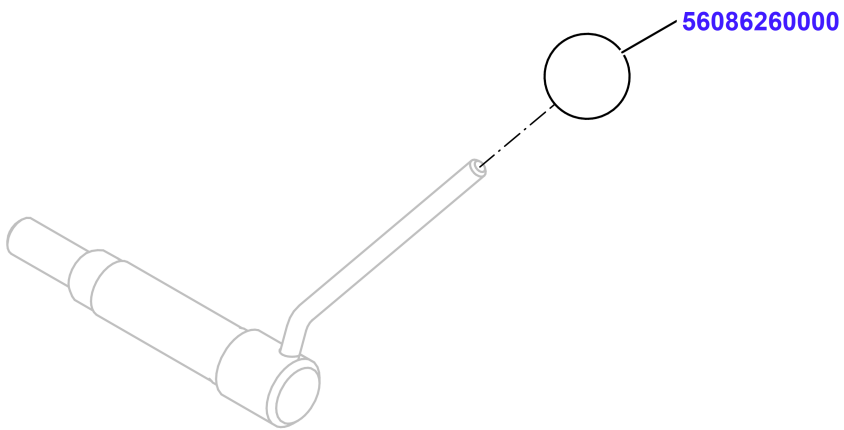
Product Holder Guide NSF cpl



Product Holder Guide NSF cpl

Material No.	Qty	Material description	available for order	Wear part	Recomm. sp. part	Metr. relevance
38061833005	1	Product Holder Guide	✓			
60540265600	1	locking lever mount.	✓			
38038401000	1	washer	✓			
38038403001	1	Bushing 19,1x10,7x5	✓			
57753900000	1	Retaining Washer DIN6799-9 57753900000	✓			
60540266101	1	Bushing complete	✓	✓	✓	
38050845000	2	Deflector Ring	✓			
60540266600	1	hex nut	✓			
38061839003	1	Bolt NSF cpl	✓			
38061844001	1	Sleeve	✓			
38036078002	1	torsion spring left	✓			
96055070000	0,005	Grease PARALIQ GA 343	✓			
38061810001	1	Screw Nut	✓			
38004459000	0,001	Loctite 648	✓			
56082290000	1	Set screw DIN438 M5x10-A2-70	✓			
95972950002	0,001	Loctite 243 50 ml 95972950002	✓			
38061826004	1	Holder	✓			
60540250402	1	Nut Plate	✓	✓	✓	
56765050000	2	Washer DIN 9021-5_3-A2-70 56765050000	✓			
57767050000	1	Spring lock washer DIN128-A5-FSt	✓			
57430120000	3	Hexagon Screw DIN 933-M5x12-A2-70	✓			
60350402001	1	Protective plug	✓			
95944300000	1	Kitchen silicone ELASTO4710	✓			
38036187000	1	cover	✓			
38036225000	1	seal	✓		✓	
57630420000	4	Countersunk Screw DIN963-M4x8-A2-70	✓			
38077867000	1	Magnet Base	✓			
38090248000	1	Magnet Vacodym 370 wz round 10x4 preass	✓		✓	
56456800000	1	Hexagon Nut DIN 934-M8-A2-70	✓			
57697480000	1	Cylinder screw DIN84 M4x10-A2-70	✓			
56739040000	1	Washer DIN 125-A 4.3-A2-70 56739040000	✓			
57767040000	1	Spring lock washer DIN128-A4-FSt	✓			
38075543000	1	Mounting Pin	✓			
57730180000	1	Oval-head screw ISO14583 M3x16-A2-70-T10	✓			
38075547000	1	Parallel Pin 8x15	✓			
38054179000	1	Set screw DIN438 M8x10-A2-70	✓			
60380205800	1	SLIDE PIN	✓			

Bolt NSF cpl

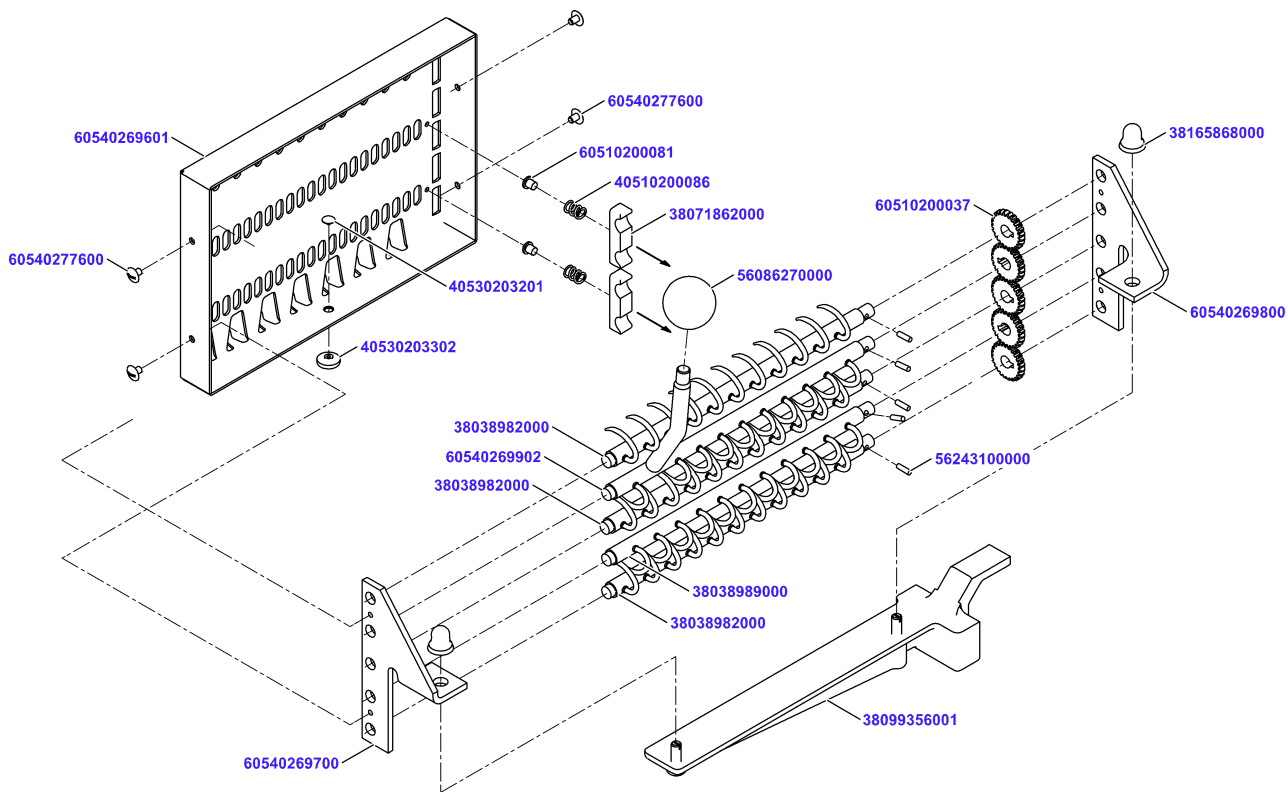


Bolt NSF cpl

Material No.	Qty	Material description
56086260000	1	Ball knob DIN319 M6x25 I
95972950002	0,001	Loctite 243 50 ml 95972950002

available for order
Wear part
Recomm. sp. part
Metr. relevance

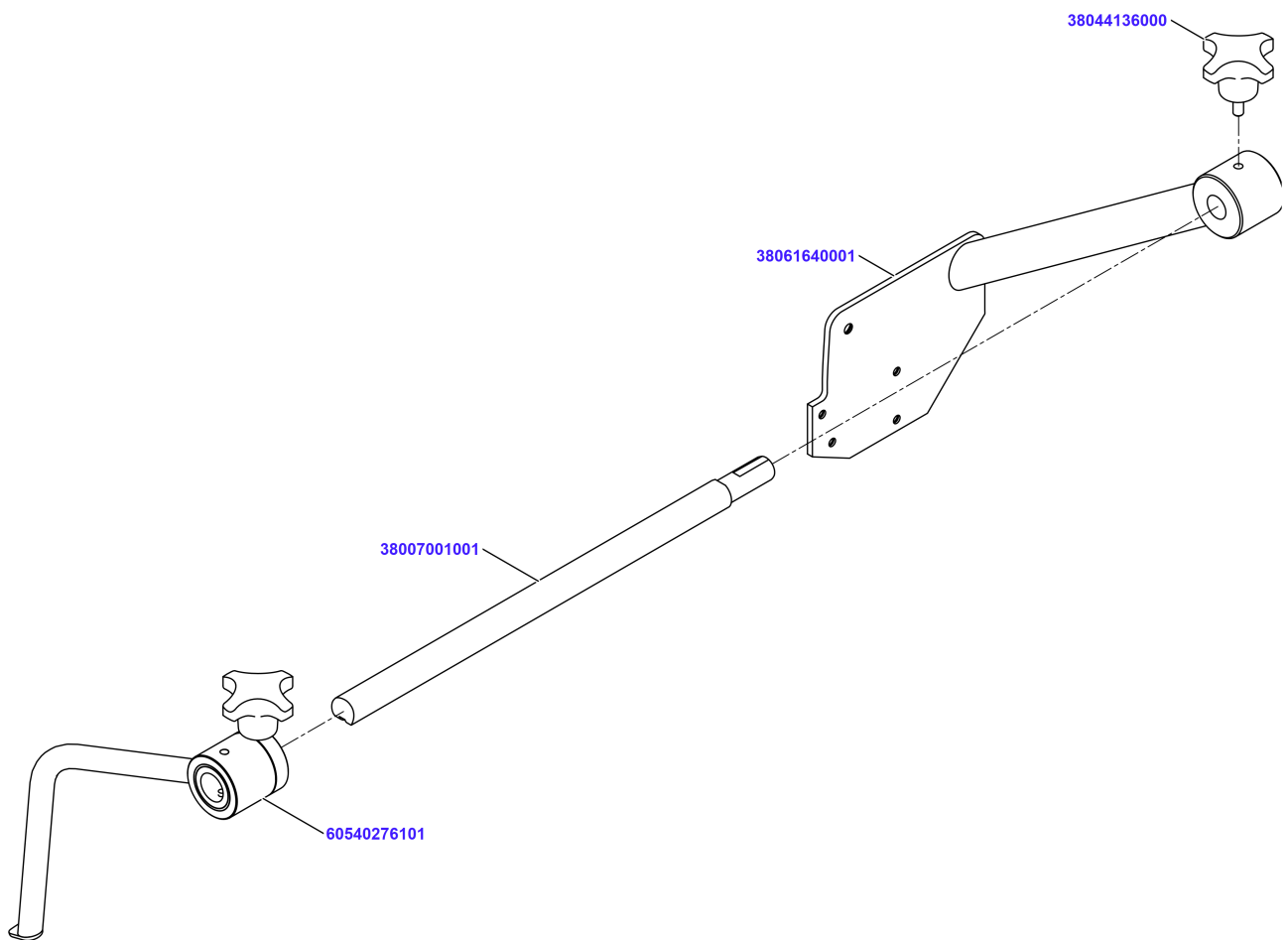
Product Holder cpl. VSI



Product Holder cpl. VSI

Material No.	Qty	Material description	available for order	Wear part	Recomm. sp. part	Metr. relevance
60510200081	2	collar stud	✓			
60540269700	1	Side frame left	✓			
60540269800	1	Side frame right	✓			
38038982000	3	Gripper Shaft cpl.	✓			
38038989000	1	Gripper Shaft cpl.	✓			
60540269902	1	Gripper Shaft cpl	✓			
56086270000	1	Ball knob DIN319 M8x32 I	✓			
56243100000	5	Cylindrical pin DIN 7-3h11x10-A2-70	✓			
60510200037	5	Pinion	✓			
40510200086	2	Pressure spring	✓			
38071862000	2	brake pad	✓			
60540277600	4	self-tapping screw	✓			
38099356001	1	Holder preass.	✓			
38165868000	2	Hygienic Cap Nut M6 with Precote 30-8	✓			
40530203201	1	push button	✓			
40530203302	1	sliding piece	✓			

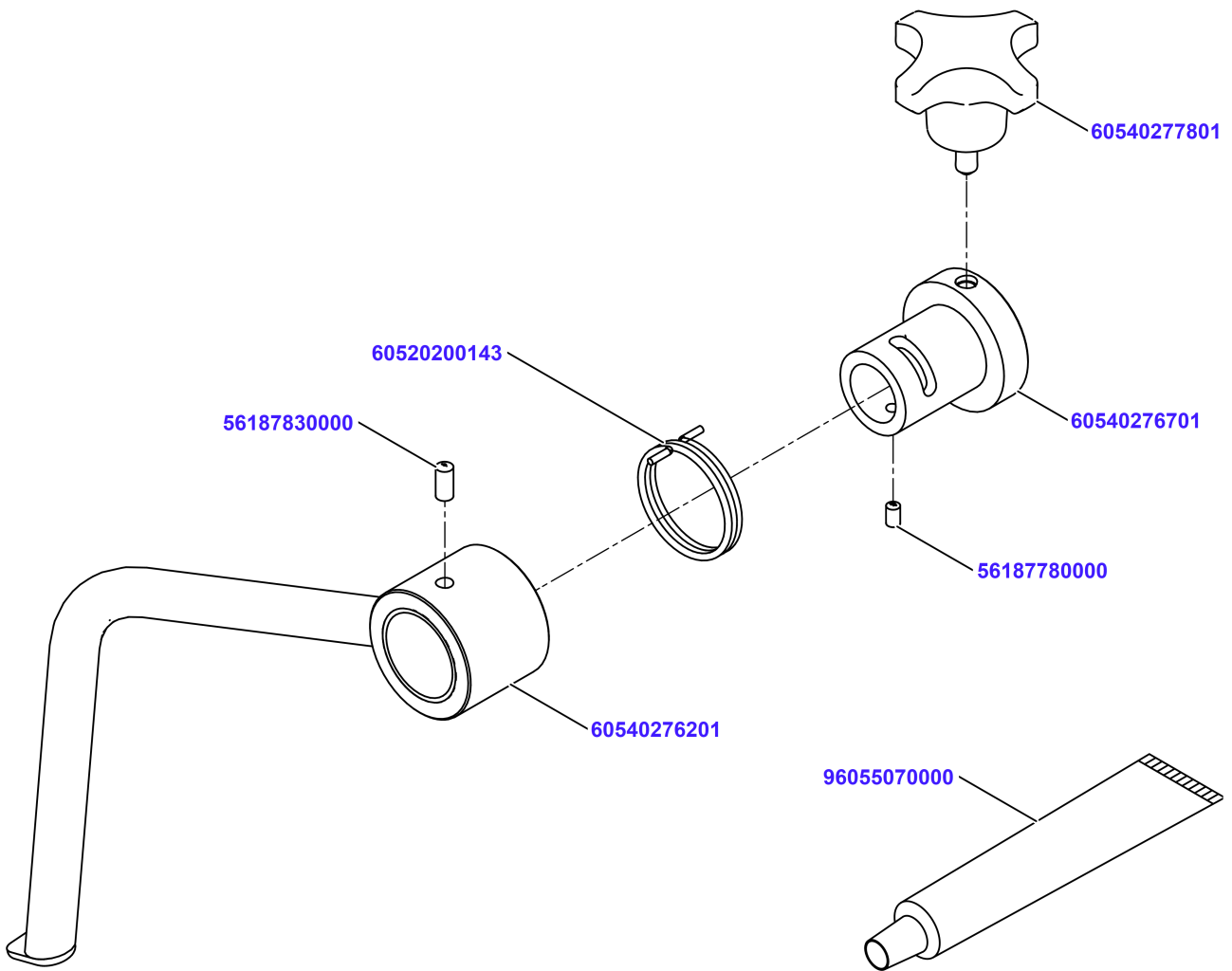
Product Supporter top NSF cpl










Product Supporter top NSF cpl

Material No.	Qty	Material description	available for order	Wear part	Recomm. sp. part	Metr. relevance
38061640001	1	Mounting welded	✓			
38007001001	1	Axis 18x342	✓			
60540276101	1	HOULDING DOWN DEVICE ASS.	✓			
38044136000	1	LOCKING SCREW	✓			

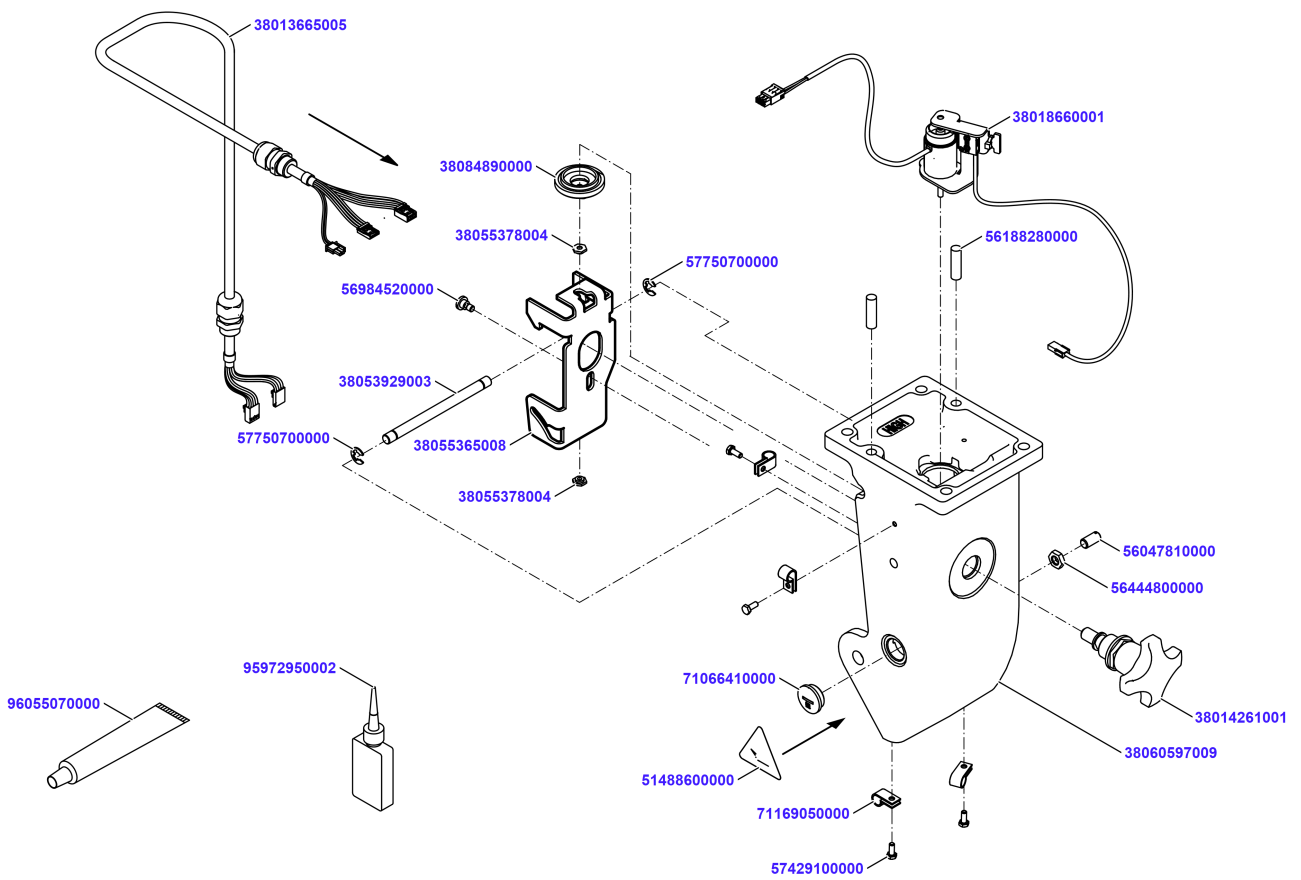
HOULDING DOWN DEVICE ASS.



HOULDING DOWN DEVICE ASS.

Material No.	Qty	Material description	available for order	Wear part	Recomm. sp. part	Metr. relevance
60540276201	1	Holding Down Device preass.				
60540276701	1	hub				
60540277801	1	LOCKING SCREW				
60520200143	1	torsion spring				
56187830000	1	Cylindrical pin EN 22338-5m6x10-A2				
96055070000	0,005	Grease PARALIQ GA 343				
56187780000	1	Cylindrical pin EN 22338-4m6x6-A2				

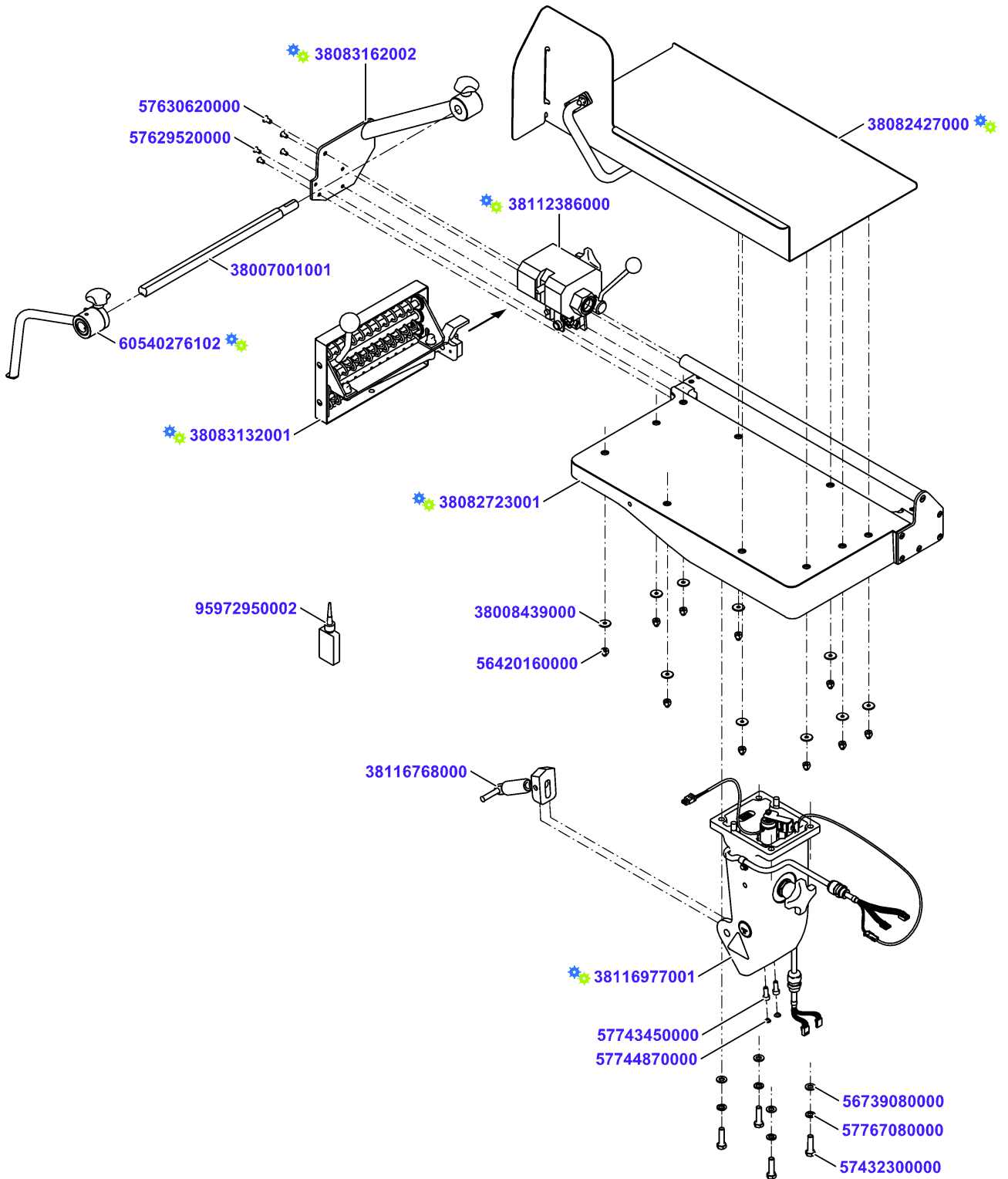
Carriage Foot high cpl



Carriage Foot high cpl

Material No.	Qty	Material description	available for order	Wear part	Recomm. sp. part	Metr. relevance
38060597009	1	Carriage Foot high mach	✓			
56188280000	2	Cylindrical pin EN 22338-8m6x28-A2	✓			
56047810000	1	Set screw DIN551 M8x16-PA 66	✓			
56444800000	1	Hexagon nut DIN439-M8-A2	✓			
38018660001	1	Magnet preass	✓	✓		
38084890000	1	Cap preass	✓			
38055378004	2	Hexagon nut	✓			
95972950002	0,001	Loctite 243 50 ml 95972950002	✓			
38055365008	1	Interlock	✓			
96055070000	0,001	Grease PARALIQ GA 343	✓			
56984520000	1	Pan head screw DIN923 M5x4A2-70	✓			
71066410000	1	Plug Round M20x1.5	✓			
38014261001	1	Handle preass	✓			
38053929003	1	Stop Bolt	✓			
57750700000	2	Retaining washer DIN6799-7	✓			
71169050000	4	Cable Clamp nylon 7,4mm NK-5N	✓			
38013665005	1	Ka Rd 12x24AWG 0,87m	✓			
57429100000	4	Hexagon Screw DIN933 M4x10 A2-70	✓			
51488600000	1	Warning Plate Hand Injury 7.29K	✓			

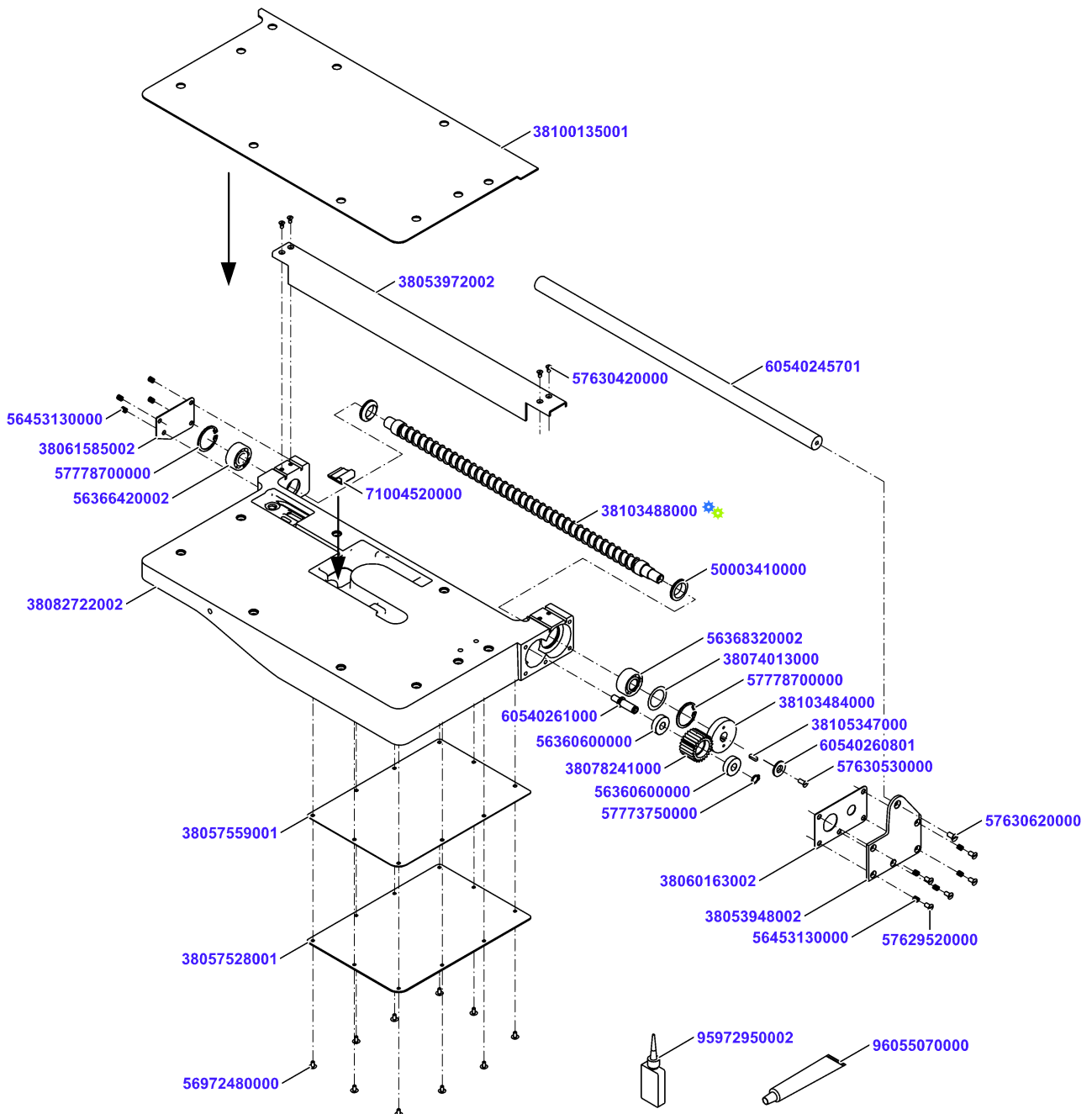
Carriage 400 NSF



Carriage 400 NSF

Material No.	Qty	Material description	available for order	Wear part	Recomm. sp. part	Metr. relevance
38082723001	1	Carriage 400 cpl				
38082427000	1	Carriage Plate 400 preass	✓			
56420160000	10	Cap nut DIN986-M6-A2	✓			
38008439000	10	Sealing washer M6	✓		✓	
38083162002	1	Product Supporter top NSF cpl				
57629520000	4	Countersunk Screw DIN 963-M5x10-A2-70	✓			
57630620000	1	Countersunk screw DIN963 M6x12-A2-70	✓			
38116977001	1	Carriage Foot high cpl.				
57432300000	4	Hexagon screw DIN933 M8x30 A2-70	✓			
57767080000	4	Spring lock washer DIN128-A8-A2	✓			
38116768000	1	Gas pressure spring carriage 400 cpl	✓		✓	
57743450000	2	Cylinder screw DIN912 M6x16-A2-70	✓			
95972950002	0,001	Loctite 243 50 ml 95972950002	✓			
57744870000	2	Protective plug 10x5,2x3,1-PE	✓		✓	
38083132001	1	Product Holder cpl. VSI				
38112386000	1	Product Holder Guide NSF cpl	✓			
38007001001	1	Axis 18x342	✓			
60540276102	1	Holding Down Device ass.	✓			

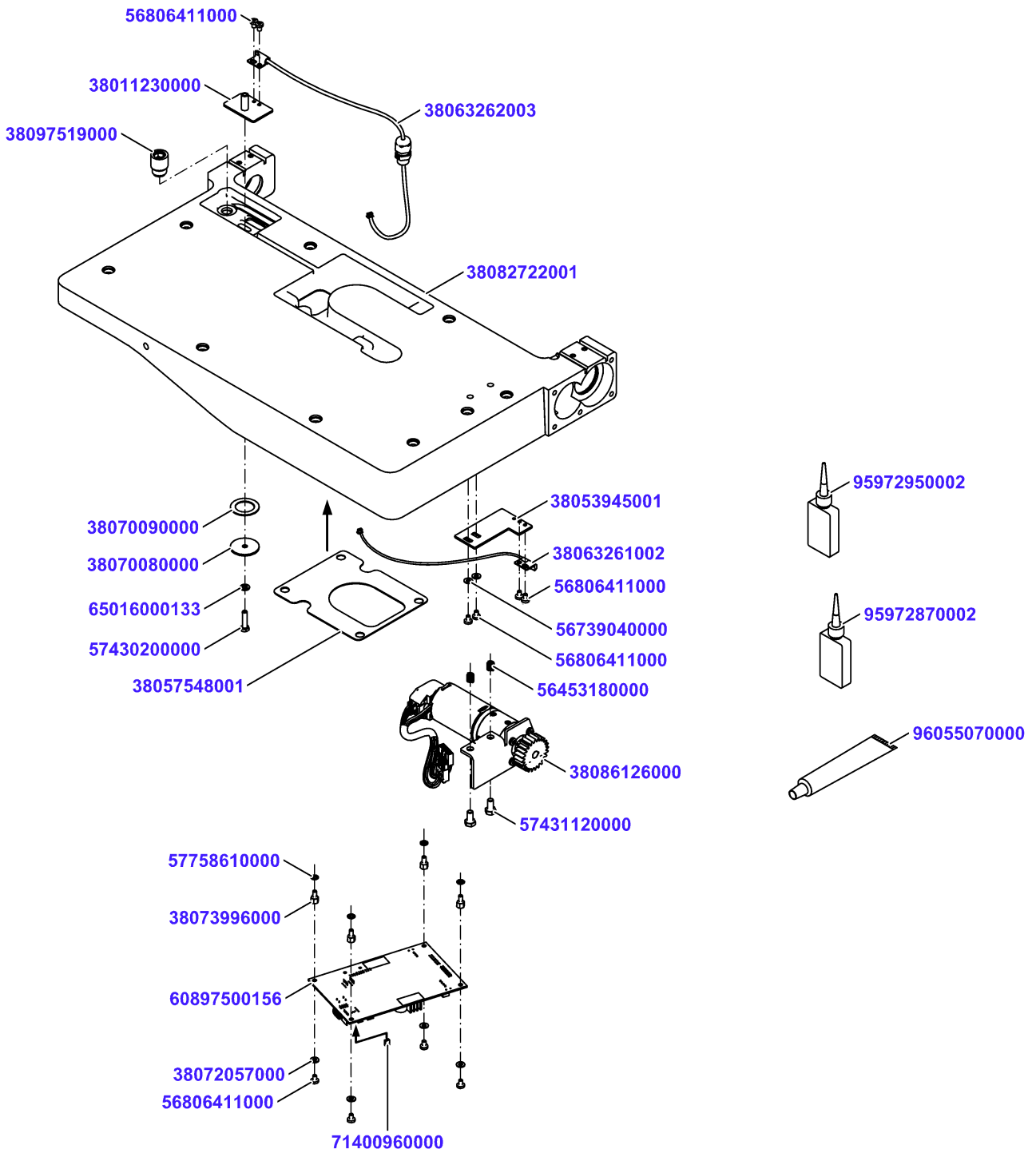
Carriage 400 cpl



Carriage 400 cpl

Material No.	Qty	Material description	available for order	Wear part	Recomm. sp. part	Metr. relevance
38082722002	1	Carriage 400 Cast machined	✓			
56453130000	9	Thread insert M5x7,5-A2	✓			
56366420002	1	Self-Aligning Ball Bearing 2202	✓			
57778700000	1	Retaining ring DIN472-35x1,5	✓			
50003410000	1	Wiper ring 30x20x7	✓			
38103488000	1	feed spindle ass.	✓			
50003410000	1	Wiper ring 30x20x7	✓			
56368320002	1	Angular bearing double-row 15x35x15,9	✓			
57778700000	1	Retaining ring DIN472-35x1,5	✓			
38074013000	1	Shim ring DIN988-25x35x0,1	✓			
38103484000	1	Gear Wheel	✓			
96055070000	0,001	Grease PARALIQ GA 343	✓			
38105347000	1	Parallel key DIN6885-A 5x3x14	✓			
60540260801	1	Washer	✓			
57630530000	1	Countersunk Screw DIN963 M5x12-A2-70	✓			
95972950002	0,001	Loctite 243 50 ml 95972950002	✓			
60540261000	1	bolt	✓			
38078241000	1	Gear Wheel	✓			
56360600000	2	Grooved Ball Bearing DIN625 10x26x8	✓			
57773750000	1	Retaining Ring DIN471-10x1 57773750000	✓			
38053972002	1	Guide Rail 400er	✓			
57630420000	4	Countersunk Screw DIN963-M4x8-A2-70	✓			
71004520000	1	Flat Cabel Holder 3484-1000	✓			
38053948002	1	Flange	✓			
38060163002	1	Sealing	✓		✓	
57629520000	5	Countersunk Screw DIN 963-M5x10-A2-70	✓			
38061585002	1	sealing	✓		✓	
60540245701	1	guide shaft	✓			
57630620000	1	Countersunk screw DIN963 M6x12-A2-70	✓			
38100135001	1	Flat Seal Carriage Plate 400	✓		✓	
38057528001	1	Cover 255,4x177,4x2	✓		✓	
38057559001	1	Seal Cover	✓		✓	
56972480000	10	Mushroom head screw M4x8-A2-70 Tuflok	✓			

Carriage 400 cpl




Carriage 400 cpl

Material No.	Qty	Material description	available for order	Wear part	Recomm. sp. part	Metr. relevance
56453180000	2	Threaded insert Heli-Coil D M6x9	✓			
96055070000	0,001	Grease PARALIQ GA 343	✓			
95972950002	0,001	Loctite 243 50 ml 95972950002	✓			
38053945001	1	Board	✓			
38063261002	1	Sensor product feeding 1 VSI	✓			
56806411000	4	Oval-Head Screw ISO 14583-M4x6-T20-A2-70	✓			
56739040000	2	Washer DIN 125-A 4.3-A2-70 56739040000	✓			
38011230000	1	Board cpl	✓			
38063262003	1	Sensor product feeding 2 VSI	✓			
56806411000	2	Oval-Head Screw ISO 14583-M4x6-T20-A2-70	✓			
38070080000	1	Washer	✓			
38070090000	1	Sealing	✓		✓	
57430200000	1	Hexagon Screw DIN 933-M5x20-A2-70	✓			
65016000133	1	Washer 5-PA 65016000133	✓			
38097519000	1	Sleeve 18 x 10 x 24.25	✓			
95972870002	0,001	Loctite 638 95972870002	✓			
38086126000	1	Motor Product Feeding BG42x15 cpl	✓			
57431120000	2	Hexagon Screw DIN 933-M6x12-A2-7	✓			
71400960000	1	SHORT CIRCUIT BRACKET 3131 731000406	✓		✓	
57758610000	4	Toothed washer DIN6797-A 4,3-Fst	✓			
38073996000	4	Distance bolt SW7x6 M4-M4 In-Out	✓			
56806411000	4	Oval-Head Screw ISO 14583-M4x6-T20-A2-70	✓			
38072057000	4	Washer DIN 125-A 4,3-PA6 38072057000	✓			
38057548001	1	Seal	✓		✓	

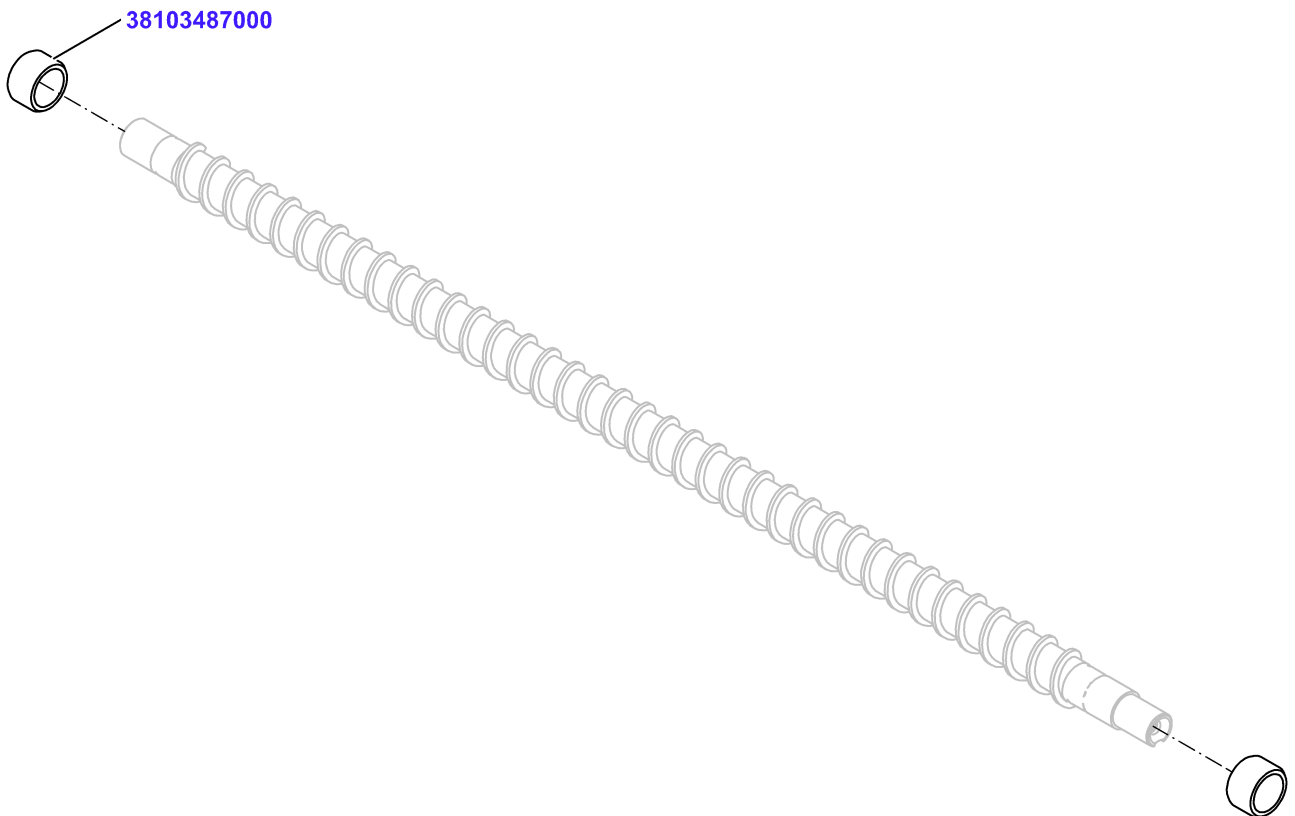
Carriage 400 cpl

Carriage 400 cpl

Material No.	Qty	Material description
60897500157	1	PCBAP MC 3ph 2ch lv bus


	available for order
	Wear part
	Recomm. sp. part
	Metr. relevance

feed spindle ass.

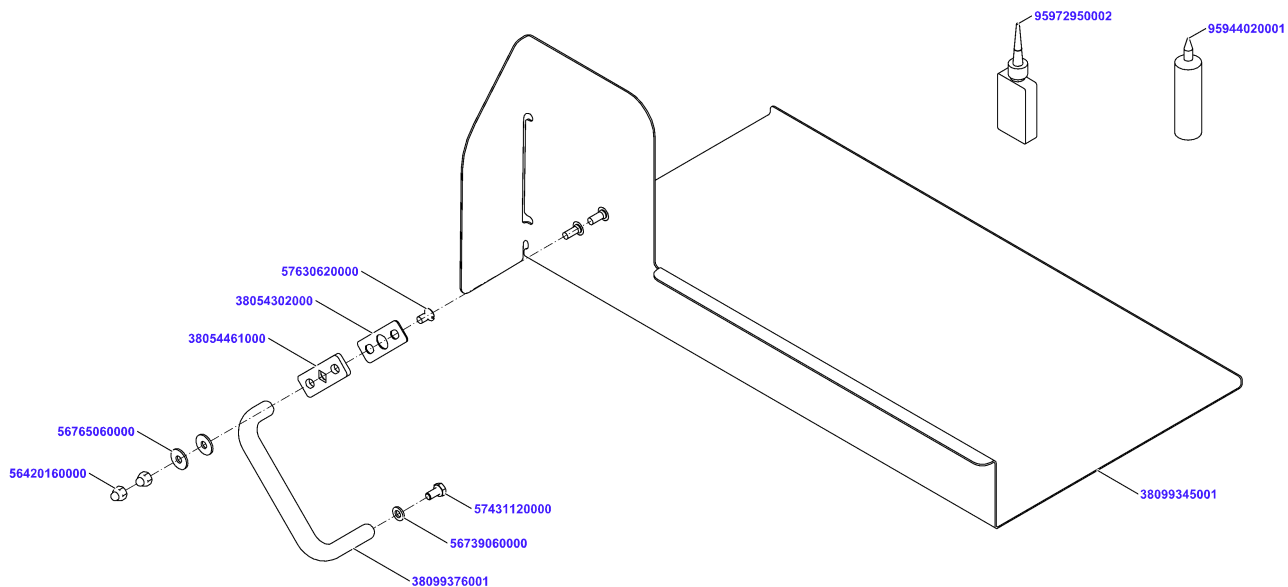


feed spindle ass.

Material No.	Qty	Material description
38103487000	2	Ring

	available for order
	Wear part
	Recomm. sp. part
	Metr. relevance

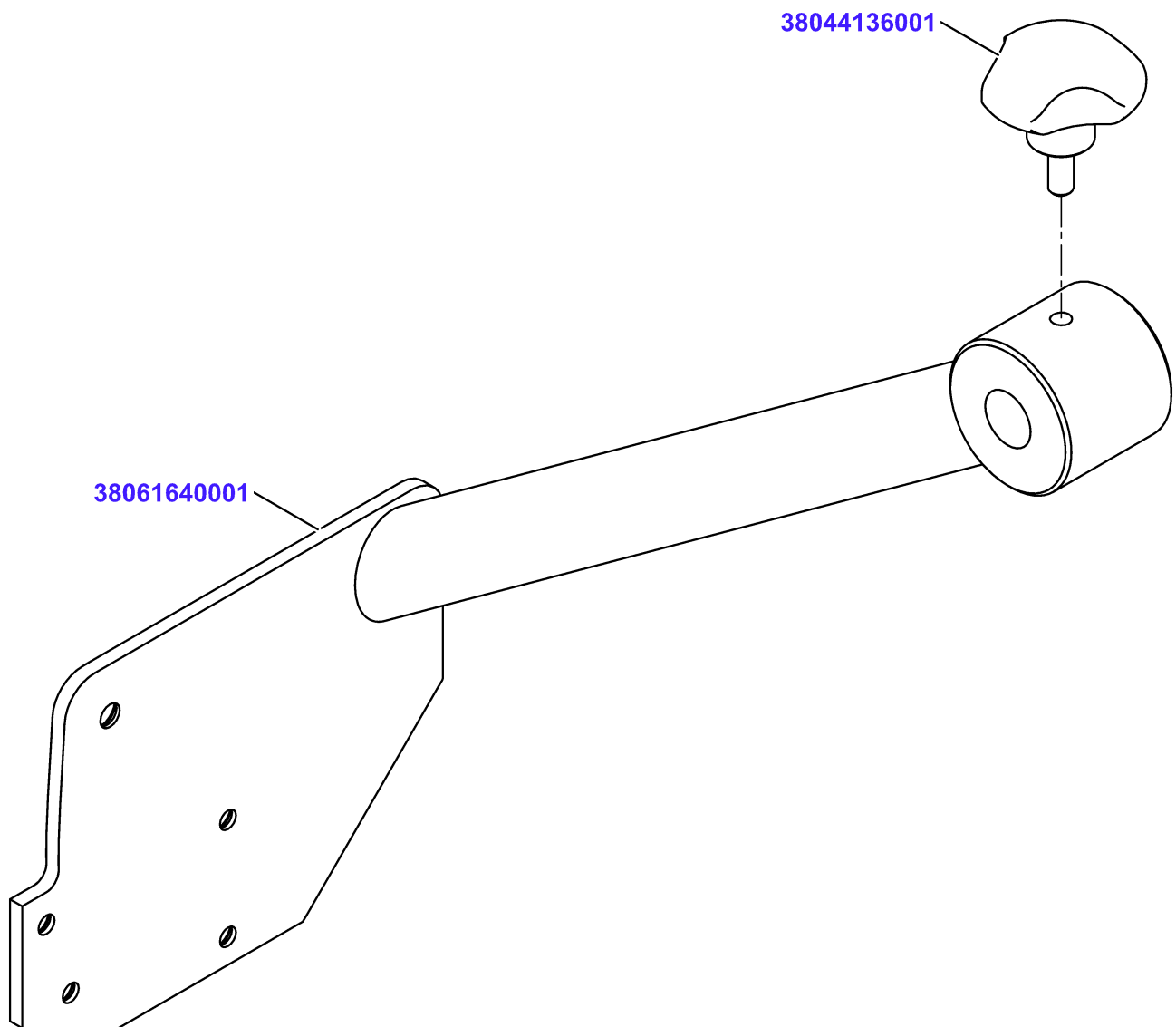
Carriage Plate 400 preass



Carriage Plate 400 preass

Material No.	Qty	Material description	available for order	Wear part	Recomm. sp. part	Metr. relevance
38099345001	1	Carriage Plate welded	✓			
38099376001	1	Handle	✓			
38054461000	1	Plate	✓			
38054302000	1	Gasket	✓		✓	
95944020001	10	Silicone Rubber Elastosil E41 90ml	✓			
57630620000	1	Countersunk screw DIN963 M6x12-A2-70	✓			
95972950002	0,001	Loctite 243 50 ml 95972950002	✓			
56420160000	2	Cap nut DIN986-M6-A2	✓			
56765060000	2	Washer DIN9021-6-A2	✓			
57431120000	1	Hexagon Screw DIN 933-M6x12-A2-7	✓			
56739060000	1	Washer DIN125-A-6-A2	✓			

Product Supporter top NSF cpl

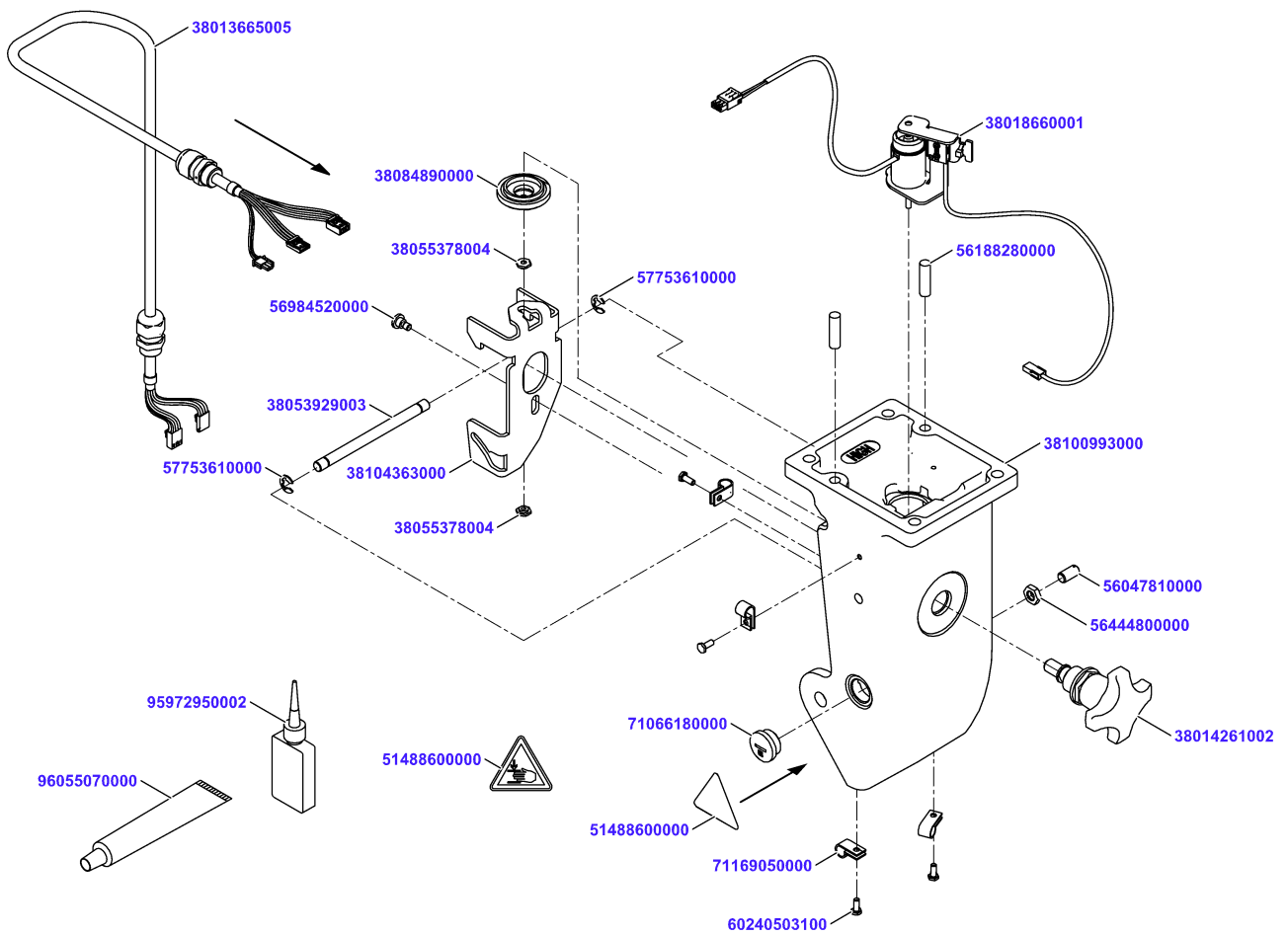


Product Supporter top NSF cpl

Material No.	Qty	Material description
38061640001	1	Mounting welded
38044136001	1	Handle with screw M6 x 14,75

available for order
Wear part
Recomm. sp. part
Metr. relevance

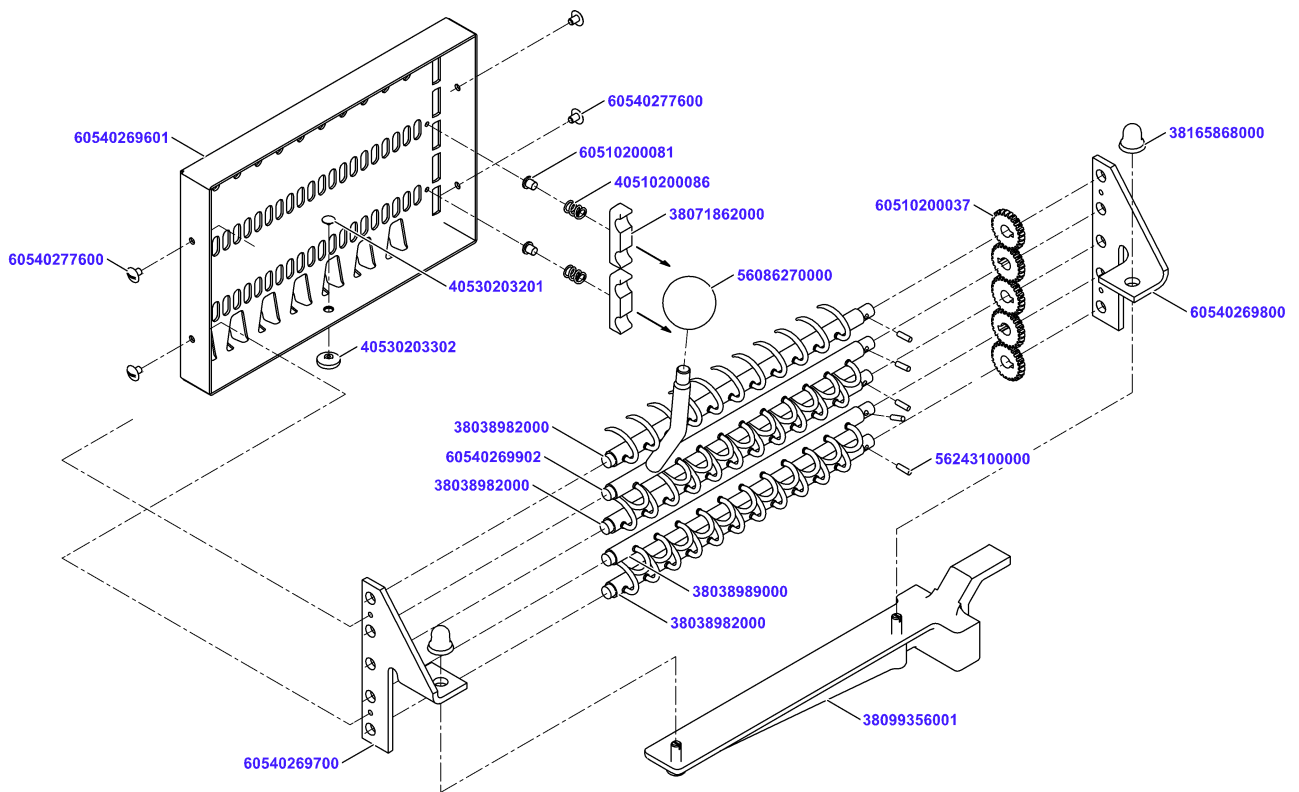
Carriage Foot high cpl.



Carriage Foot high cpl.

Material No.	Qty	Material description	available for order	Wear part	Recomm. sp. part	Metr. relevance
38100993000	1	Carriage Foot high hygienic mach	✓			
56188280000	2	Cylindrical pin EN 22338-8m6x28-A2	✓			
56047810000	1	Set screw DIN551 M8x16-PA 66	✓			
56444800000	1	Hexagon nut DIN439-M8-A2	✓			
38018660001	1	Magnet preass	✓	✓		
38084890000	1	Cap preass	✓			
38055378004	2	Hexagon nut	✓			
95972950002	0,001	Loctite 243 50 ml 95972950002	✓			
38104363000	1	Interlock	✓			
96055070000	0,001	Grease PARALIQ GA 343	✓			
56984520000	1	Pan head screw DIN923 M5x4A2-70	✓			
71066180000	1	Blind plug BLK- M20	✓			
38014261002	1	Handle preass.	✓			
38053929003	1	Stop Bolt	✓			
57753610000	2	Retaining Washer DIN6799-7 57753610000	✓			
71169050000	4	Cable Clamp nylon 7,4mm NK-5N	✓			
38013665005	1	Ka Rd 12x24AWG 0,87m	✓			
60240503100	4	Hexagon screw DIN 933 M4x10-A2-70	✓			
51488600000	1	Warning Plate Hand Injury 7.29K	✓			

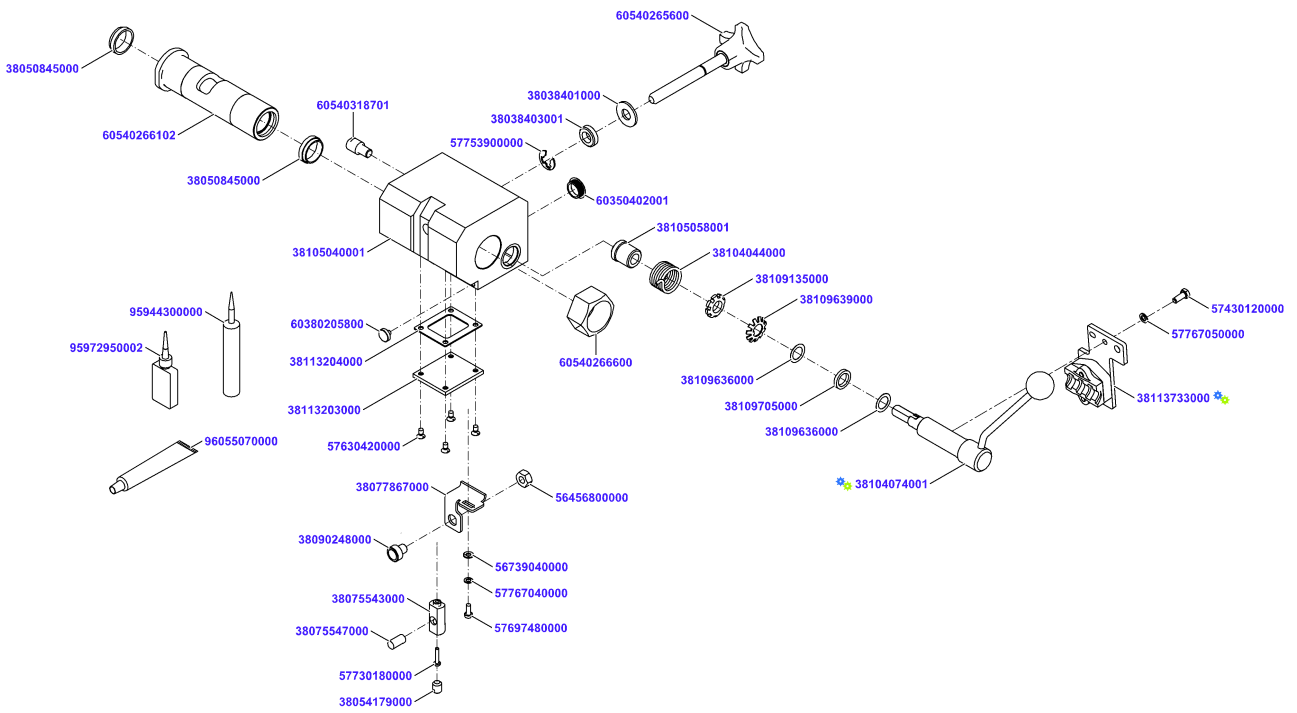
Product Holder cpl. VSI



Product Holder cpl. VSI

Material No.	Qty	Material description	available for order	Wear part	Recomm. sp. part	Metr. relevance
60510200081	2	collar stud	✓			
60540269700	1	Side frame left	✓			
60540269800	1	Side frame right	✓			
38038982000	3	Gripper Shaft cpl.	✓			
38038989000	1	Gripper Shaft cpl.	✓			
60540269902	1	Gripper Shaft cpl	✓			
56086270000	1	Ball knob DIN319 M8x32 I	✓			
56243100000	5	Cylindrical pin DIN 7-3h11x10-A2-70	✓			
60510200037	5	Pinion	✓			
40510200086	2	Pressure spring	✓			
38071862000	2	brake pad	✓			
60540277600	4	self-tapping screw	✓			
38099356001	1	Holder preass.	✓			
38165868000	2	Hygienic Cap Nut M6 with Precote 30-8	✓			
40530203201	1	push button	✓			
40530203302	1	sliding piece	✓			

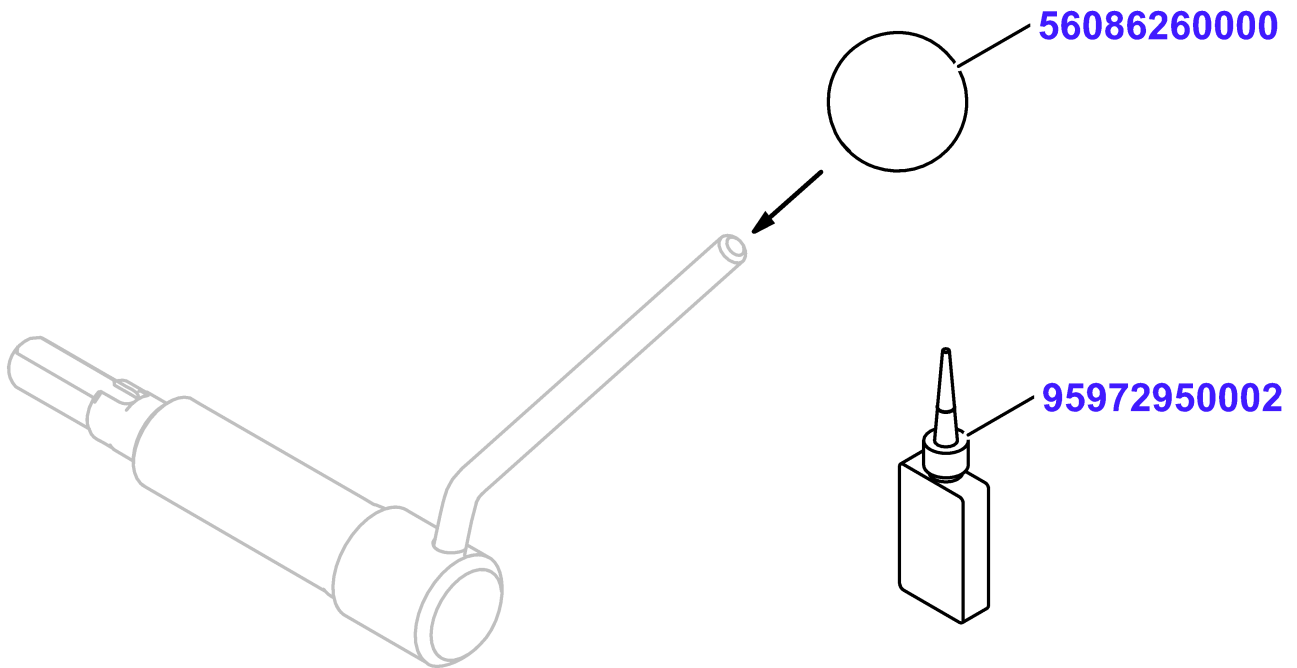
Product Holder Guide NSF cpl



Product Holder Guide NSF cpl

Material No.	Qty	Material description	available for order	Wear part	Recomm. sp. part	Metr. relevance
38105040001	1	Product Holder Guide	✓			
60540265600	1	locking lever mount.	✓			
38038401000	1	washer	✓			
38038403001	1	Bushing 19,1x10,7x5	✓			
57753900000	1	Retaining Washer DIN6799-9 57753900000	✓			
60540266102	1	Bushing complete	✓	✓	✓	
38050845000	2	Deflector Ring	✓			
60540266600	1	hex nut	✓			
38109705000	1	Shaft seal 12x18x3	✓			
38109636000	1	Shim ring DIN988-12x18x0,2	✓			
38104074001	1	Bolt NSF cpl	✓			
38109636000	1	Shim ring DIN988-12x18x0,2	✓			
38109639000	1	Safety plate DIN5406-MB1	✓			
38109135000	1	Grooved nut M12 x 0.5	✓			
38105058001	1	Bushing 19,5/18x10,2x21	✓			
38104044000	1	Torsion spring left	✓			
96055070000	0,005	Grease PARALIQ GA 343	✓			
38113733000	1	Holder preassembled	✓			
57767050000	1	Spring lock washer DIN128-A5-FSt	✓			
57430120000	1	Hexagon Screw DIN 933-M5x12-A2-70	✓			
60350402001	1	Protective plug	✓			
95944300000	0,005	Kitchen silicone ELASTO4710	✓			
38113203000	1	cover	✓			
38113204000	1	Seal 47x40x1	✓			
57630420000	4	Countersunk Screw DIN963-M4x8-A2-70	✓			
38077867000	1	Magnet Base	✓			
38090248000	1	Magnet Vacodym 370 wz round 10x4 preass	✓		✓	
56456800000	1	Hexagon Nut DIN 934-M8-A2-70	✓			
57697480000	1	Cylinder screw DIN84 M4x10-A2-70	✓			
56739040000	1	Washer DIN 125-A 4.3-A2-70 56739040000	✓			
57767040000	1	Spring lock washer DIN128-A4-FSt	✓			
38075543000	1	Mounting Pin	✓			
57730180000	1	Oval-head screw ISO14583 M3x16-A2-70-T10	✓			
38075547000	1	Parallel Pin 8x15	✓			
38054179000	1	Set screw DIN438 M8x10-A2-70	✓			
60380205800	1	SLIDE PIN	✓			
60540318701	1	stop pin	✓			
95972950002	0,001	Loctite 243 50 ml 95972950002	✓			

Bolt NSF cpl

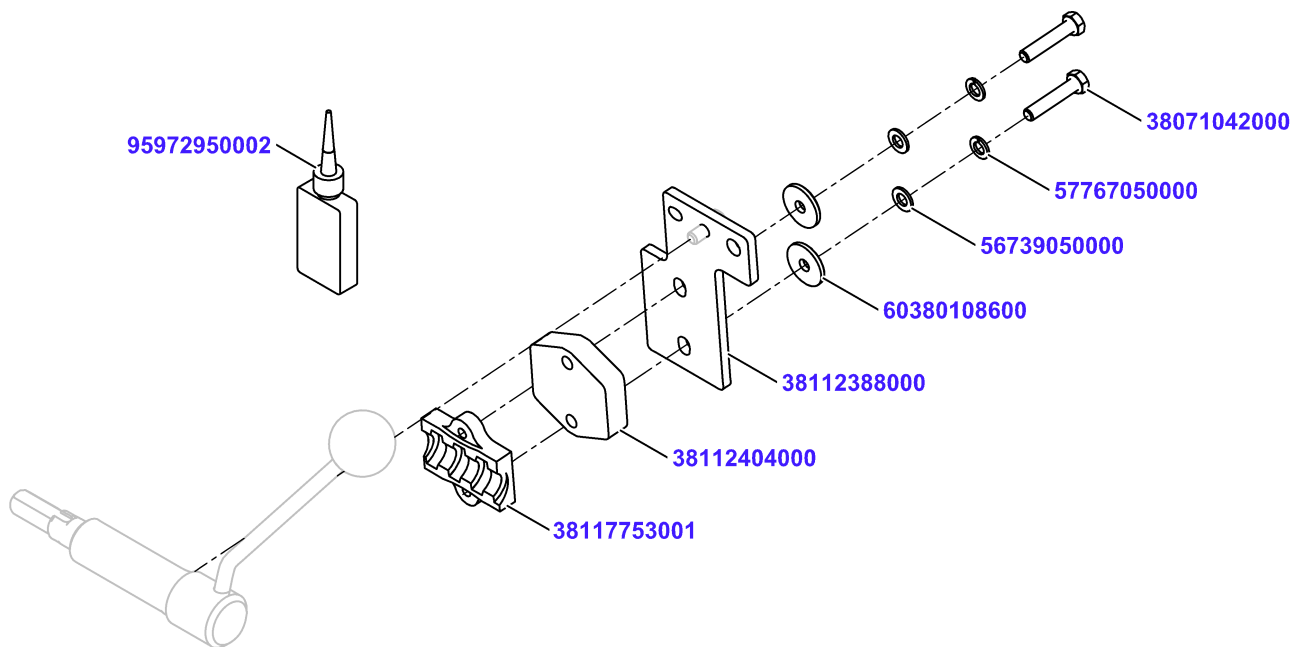


Bolt NSF cpl

Material No.	Qty	Material description
56086260000	1	Ball knob DIN319 M6x25 I
95972950002	0,001	Loctite 243 50 ml 95972950002

available for order
Wear part
Recomm. sp. part
Metr. relevance

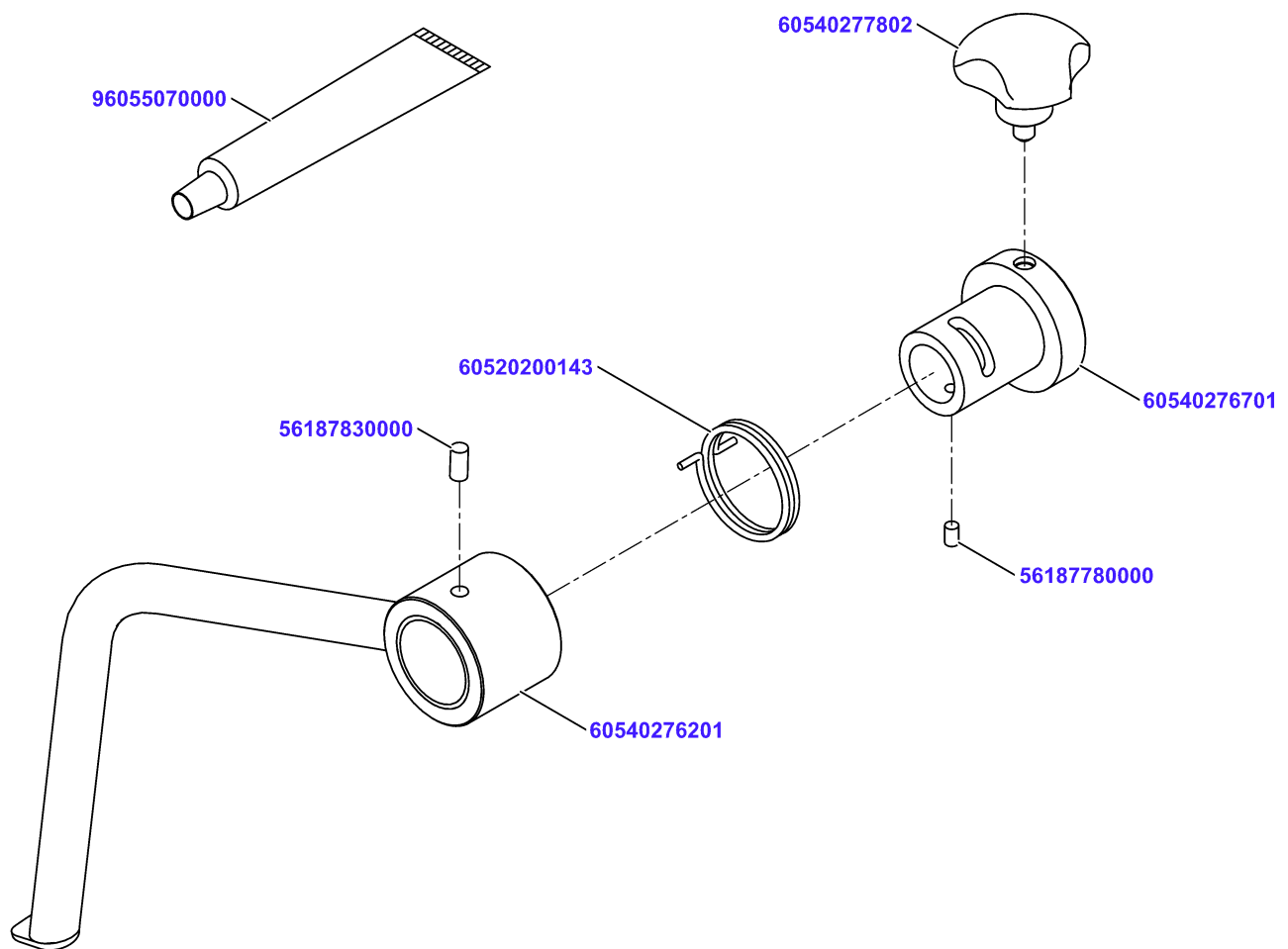
Holder preassembled



Holder preassembled

Material No.	Qty	Material description	available for order	Wear part	Recomm. sp. part	Metr. relevance
38112388000	1	Holder	✓			
38112404000	1	Spacer plate 40x40x10	✓			
38117753001	1	Nut Plate TR20X12P4	✓	✓	✓	
38071042000	2	Hexagon Screw DIN 933 M5x25 A2-70	✓			
60380108600	2	Washer	✓			
56739050000	2	Washer DIN 125-A 5_3 -A2-70 56739050000	✓			
57767050000	2	Spring lock washer DIN128-A5-FSt	✓			
95972950002	0,001	Loctite 243 50 ml 95972950002	✓			

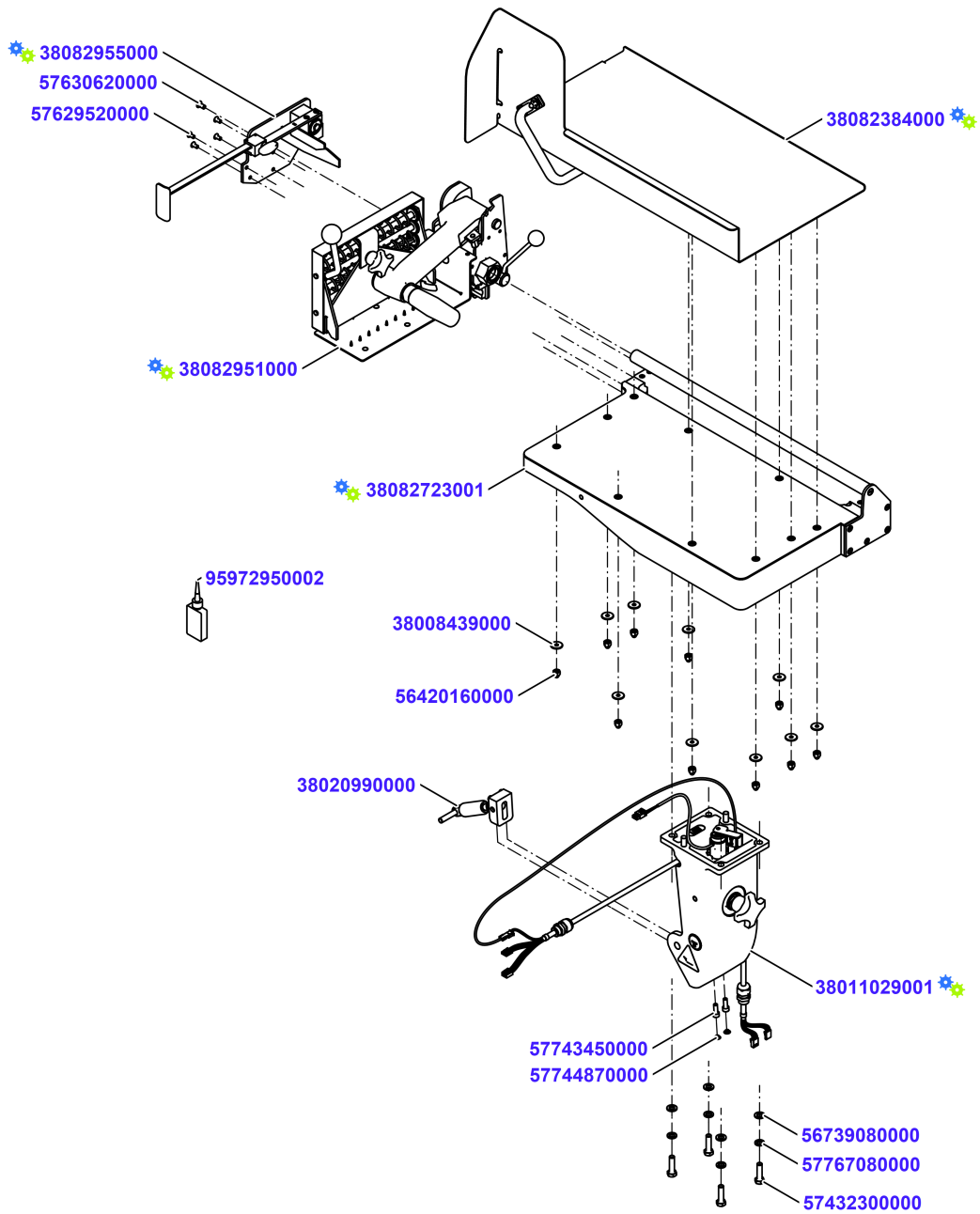
Holding Down Device ass.



Holding Down Device ass.

Material No.	Qty	Material description	available for order	Wear part	Recomm. sp. part	Metr. relevance
60540276201	1	Holding Down Device preass.	✓			
56187830000	1	Cylindrical pin EN 22338-5m6x10-A2	✓			
60540276701	1	hub	✓			
60540277802	1	Handle with screw M6 x 13,55	✓			
56187780000	1	Cylindrical pin EN 22338-4m6x6-A2	✓			
60520200143	1	torsion spring	✓			
96055070000	0,005	Grease PARALIQ GA 343	✓			

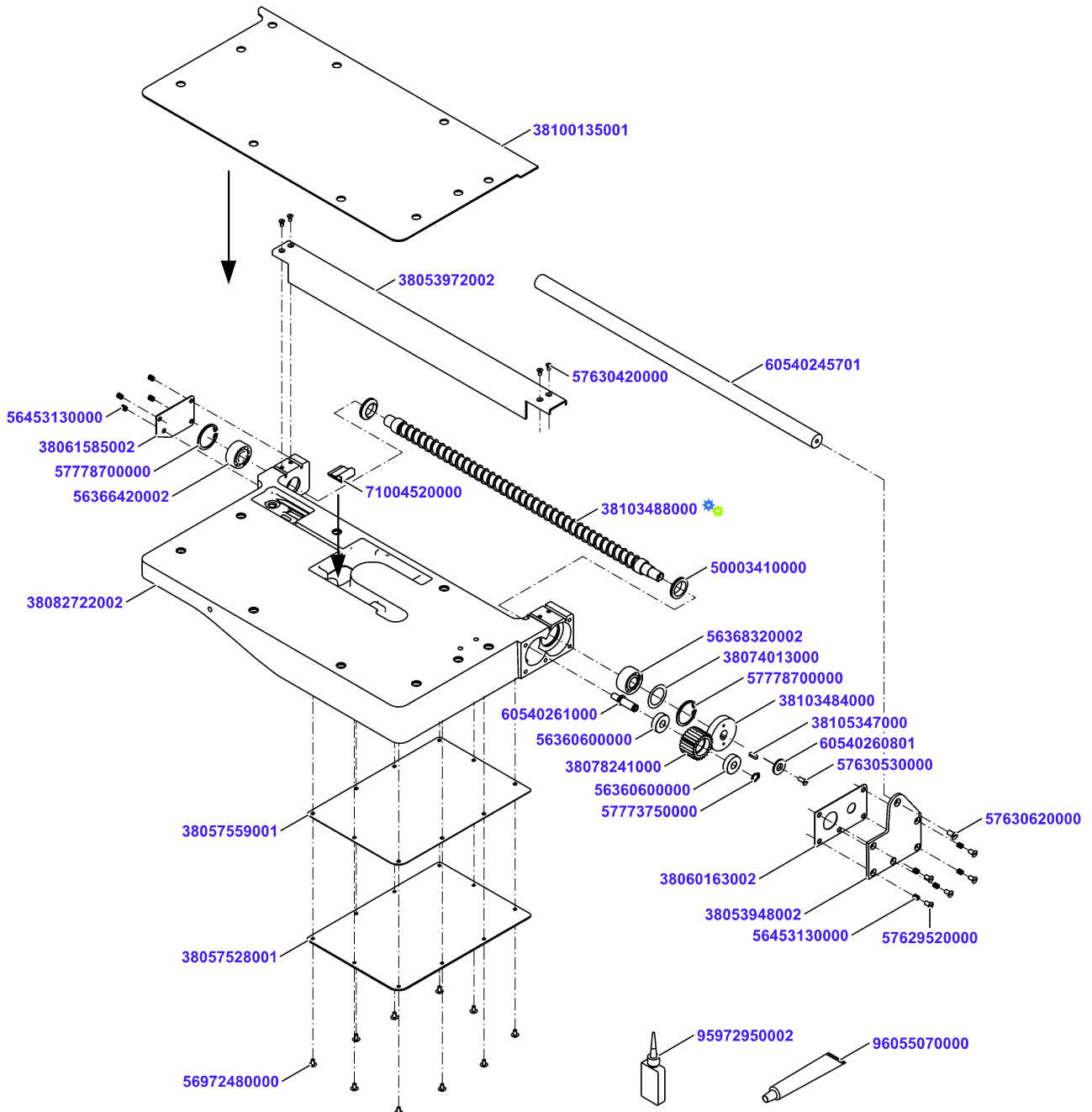
Carriage 400 with Peaks



Carriage 400 with Peaks

Material No.	Qty	Material description	available for order	Wear part	Recomm. sp. part	Metr. relevance
38082723001	1	Carriage 400 cpl				
38082384000	1	Carriage Plate 400 preass	✓			
56420160000	10	Cap nut DIN986-M6-A2	✓			
38008439000	10	Sealing washer M6	✓		✓	
38082951000	1	Product Holder folding upwards cpl				
38082955000	1	Product Supporter horizontal cpl	✓			
57629520000	4	Countersunk Screw DIN 963-M5x10-A2-70	✓			
95972950002	0,001	Loctite 243 50 ml 95972950002	✓			
57630620000	1	Countersunk screw DIN963 M6x12-A2-70	✓			
38011029001	1	Carriage Foot low cpl				
57432300000	4	Hexagon screw DIN933 M8x30 A2-70	✓			
57767080000	4	Spring lock washer DIN128-A8-A2	✓			
56739080000	4	Washer DIN125-A-8-A2	✓			
38020990000	1	Gas Spring Carriage 400 cpl	✓		✓	
57743450000	2	Cylinder screw DIN912 M6x16-A2-70	✓		✓	
57744870000	2	Protective plug 10x5,2x3,1-PE	✓		✓	

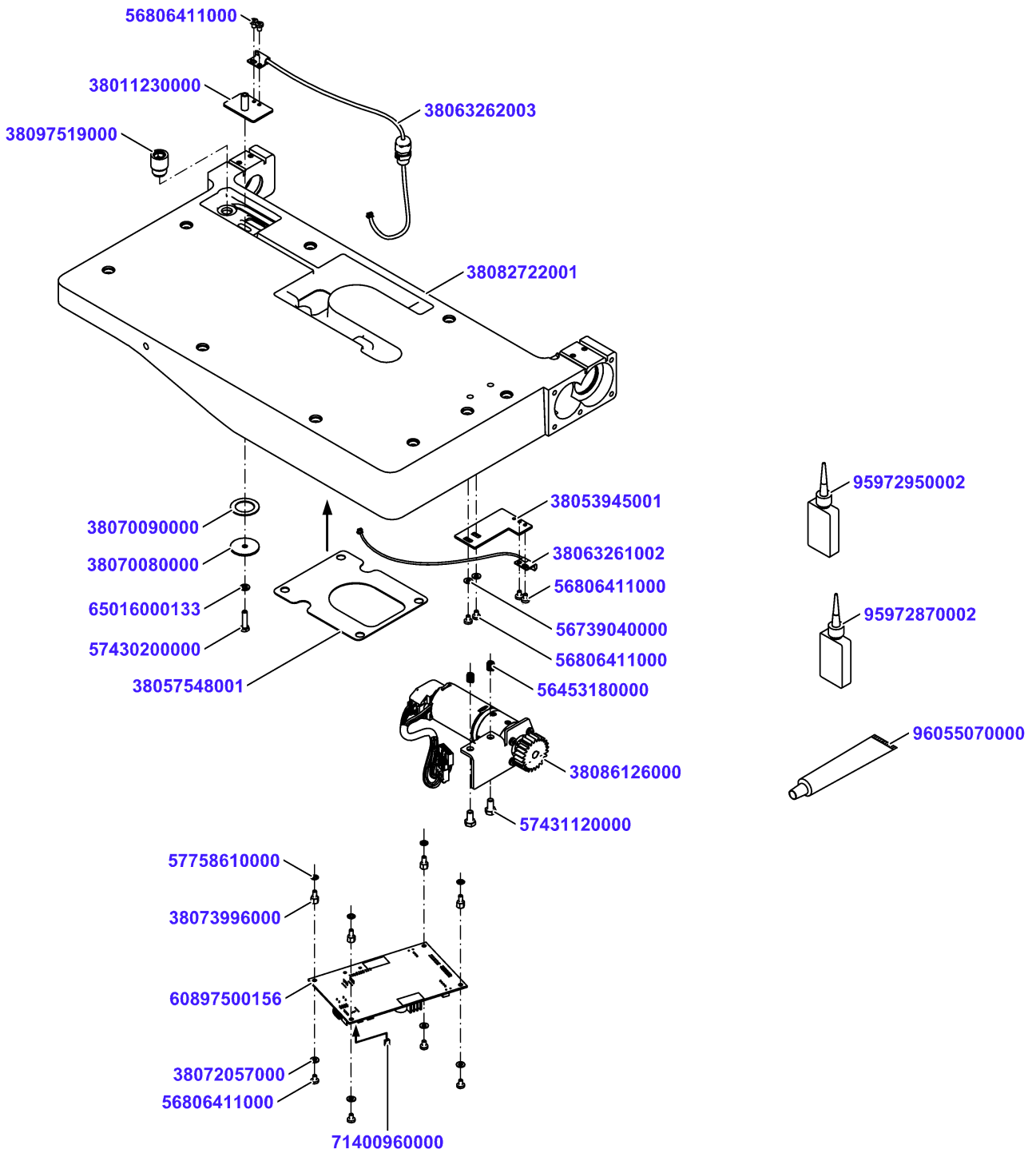
Carriage 400 cpl



Carriage 400 cpl

Material No.	Qty	Material description	available for order	Wear part	Recomm. sp. part	Metr. relevance
38082722002	1	Carriage 400 Cast machined	✓			
56453130000	9	Thread insert M5x7,5-A2	✓			
56366420002	1	Self-Aligning Ball Bearing 2202	✓			
57778700000	1	Retaining ring DIN472-35x1,5	✓			
50003410000	1	Wiper ring 30x20x7	✓			
38103488000	1	feed spindle ass.	✓			
50003410000	1	Wiper ring 30x20x7	✓			
56368320002	1	Angular bearing double-row 15x35x15,9	✓			
57778700000	1	Retaining ring DIN472-35x1,5	✓			
38074013000	1	Shim ring DIN988-25x35x0,1	✓			
38103484000	1	Gear Wheel	✓			
96055070000	0,001	Grease PARALIQ GA 343	✓			
38105347000	1	Parallel key DIN6885-A 5x3x14	✓			
60540260801	1	Washer	✓			
57630530000	1	Countersunk Screw DIN963 M5x12-A2-70	✓			
95972950002	0,001	Loctite 243 50 ml 95972950002	✓			
60540261000	1	bolt	✓			
38078241000	1	Gear Wheel	✓			
56360600000	2	Grooved Ball Bearing DIN625 10x26x8	✓			
57773750000	1	Retaining Ring DIN471-10x1 57773750000	✓			
38053972002	1	Guide Rail 400er	✓			
57630420000	4	Countersunk Screw DIN963-M4x8-A2-70	✓			
71004520000	1	Flat Cabel Holder 3484-1000	✓			
38053948002	1	Flange	✓			
38060163002	1	Sealing	✓		✓	
57629520000	5	Countersunk Screw DIN 963-M5x10-A2-70	✓			
38061585002	1	sealing	✓		✓	
60540245701	1	guide shaft	✓			
57630620000	1	Countersunk screw DIN963 M6x12-A2-70	✓			
38100135001	1	Flat Seal Carriage Plate 400	✓		✓	
38057528001	1	Cover 255,4x177,4x2	✓		✓	
38057559001	1	Seal Cover	✓		✓	
56972480000	10	Mushroom head screw M4x8-A2-70 Tuflok	✓		✓	

Carriage 400 cpl




Carriage 400 cpl

Material No.	Qty	Material description	available for order	Wear part	Recomm. sp. part	Metr. relevance
56453180000	2	Threaded insert Heli-Coil D M6x9	✓			
96055070000	0,001	Grease PARALIQ GA 343	✓			
95972950002	0,001	Loctite 243 50 ml 95972950002	✓			
38053945001	1	Board	✓			
38063261002	1	Sensor product feeding 1 VSI	✓			
56806411000	4	Oval-Head Screw ISO 14583-M4x6-T20-A2-70	✓			
56739040000	2	Washer DIN 125-A 4.3-A2-70 56739040000	✓			
38011230000	1	Board cpl	✓			
38063262003	1	Sensor product feeding 2 VSI	✓			
56806411000	2	Oval-Head Screw ISO 14583-M4x6-T20-A2-70	✓			
38070080000	1	Washer	✓			
38070090000	1	Sealing	✓		✓	
57430200000	1	Hexagon Screw DIN 933-M5x20-A2-70	✓			
65016000133	1	Washer 5-PA 65016000133	✓			
38097519000	1	Sleeve 18 x 10 x 24.25	✓			
95972870002	0,001	Loctite 638 95972870002	✓			
38086126000	1	Motor Product Feeding BG42x15 cpl	✓			
57431120000	2	Hexagon Screw DIN 933-M6x12-A2-7	✓			
71400960000	1	SHORT CIRCUIT BRACKET 3131 731000406	✓		✓	
57758610000	4	Toothed washer DIN6797-A 4,3-Fst	✓			
38073996000	4	Distance bolt SW7x6 M4-M4 In-Out	✓			
56806411000	4	Oval-Head Screw ISO 14583-M4x6-T20-A2-70	✓			
38072057000	4	Washer DIN 125-A 4,3-PA6 38072057000	✓			
38057548001	1	Seal	✓		✓	

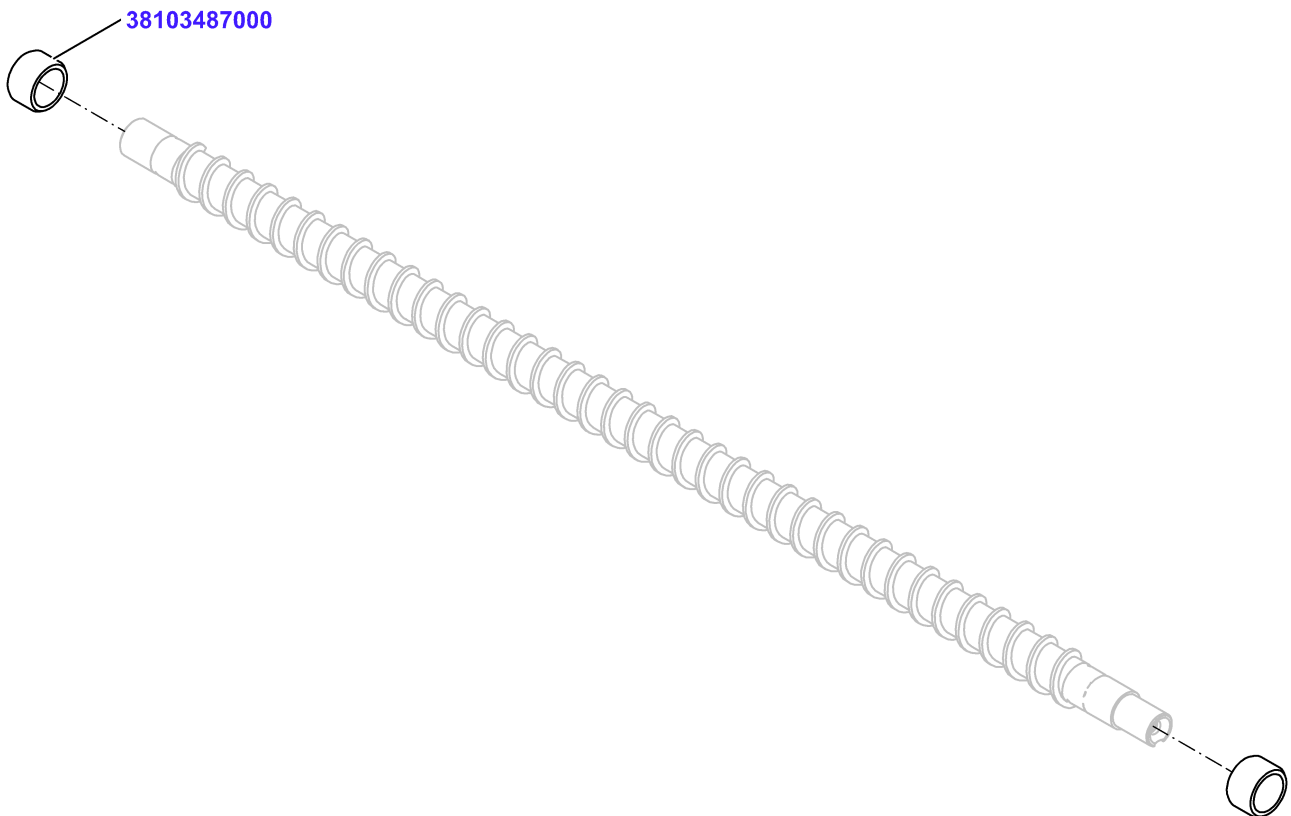
Carriage 400 cpl

Carriage 400 cpl

Material No.	Qty	Material description
60897500157	1	PCBAP MC 3ph 2ch lv bus


	available for order
	Wear part
	Recomm. sp. part
	Metr. relevance

feed spindle ass.

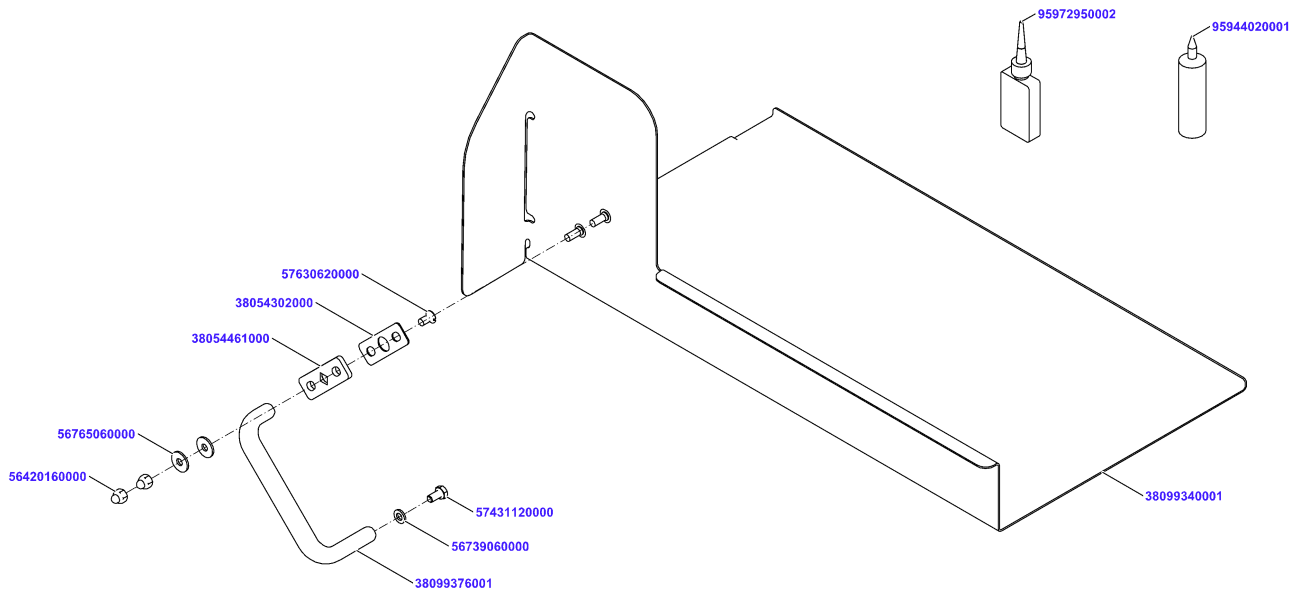


feed spindle ass.

Material No.	Qty	Material description
38103487000	2	Ring

	available for order
	Wear part
	Recomm. sp. part
	Metr. relevance

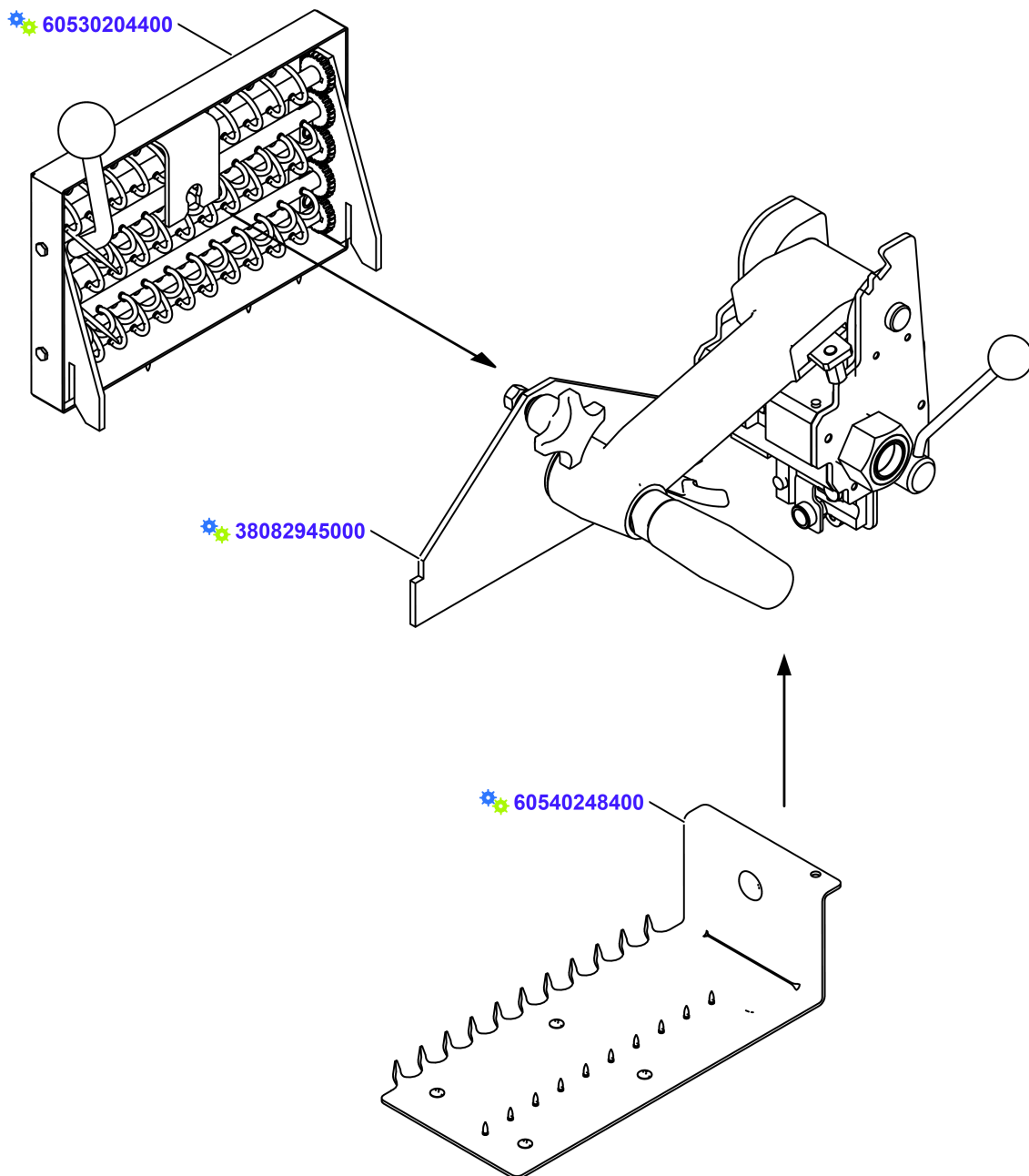
Carriage Plate 400 preass



Carriage Plate 400 preass

Material No.	Qty	Material description	available for order	Wear part	Recomm. sp. part	Metr. relevance
38099340001	1	Carriage Plate welded	✓			
38099376001	1	Handle	✓			
38054461000	1	Plate	✓			
38054302000	1	Gasket	✓		✓	
95944020001	10	Silicone Rubber Elastosil E41 90ml	✓			
57630620000	1	Countersunk screw DIN963 M6x12-A2-70	✓			
95972950002	0,001	Loctite 243 50 ml 95972950002	✓			
56420160000	2	Cap nut DIN986-M6-A2	✓			
56765060000	2	Washer DIN9021-6-A2	✓			
57431120000	1	Hexagon Screw DIN 933-M6x12-A2-7	✓			
56739060000	1	Washer DIN125-A-6-A2	✓			

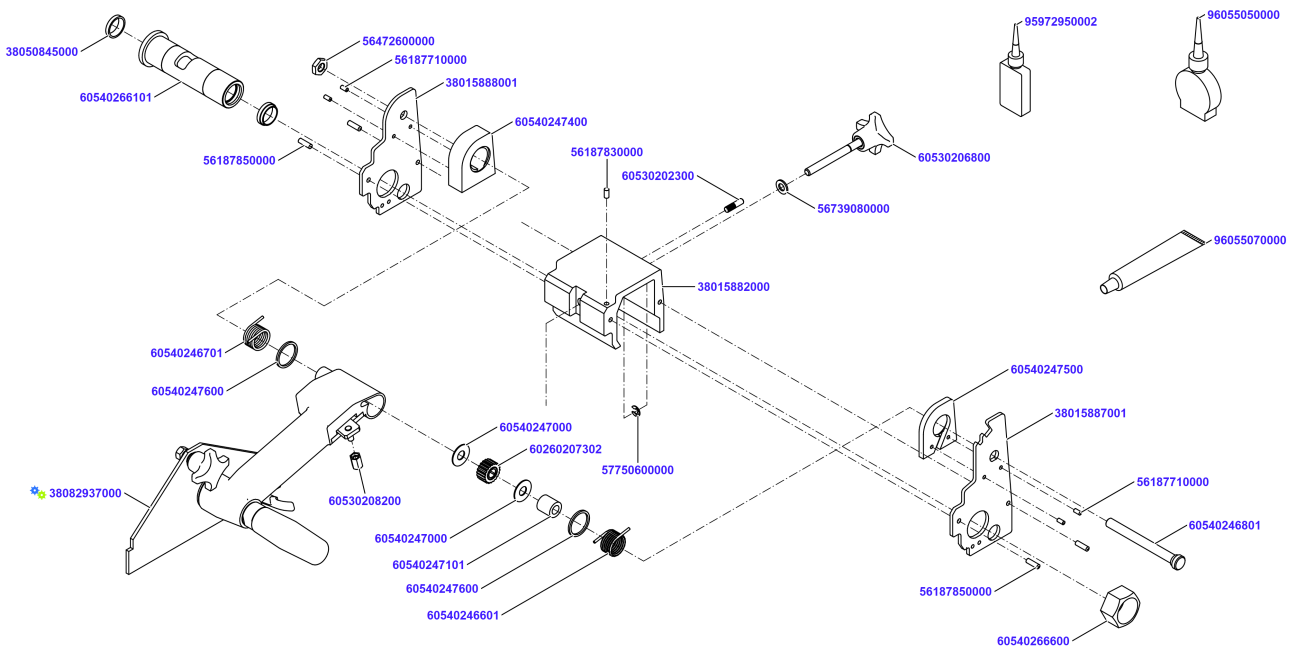
Product Holder folding upwards cpl



Product Holder folding upwards cpl

Material No.	Qty	Material description	available for order	Wear part	Recomm. sp. part	Metr. relevance
38082945000	1	Product Holder folding upwards preass	✓			
60540248400	1	product supporting plate ass.	✓			
60530204400	1	Product holder ass.	✓			

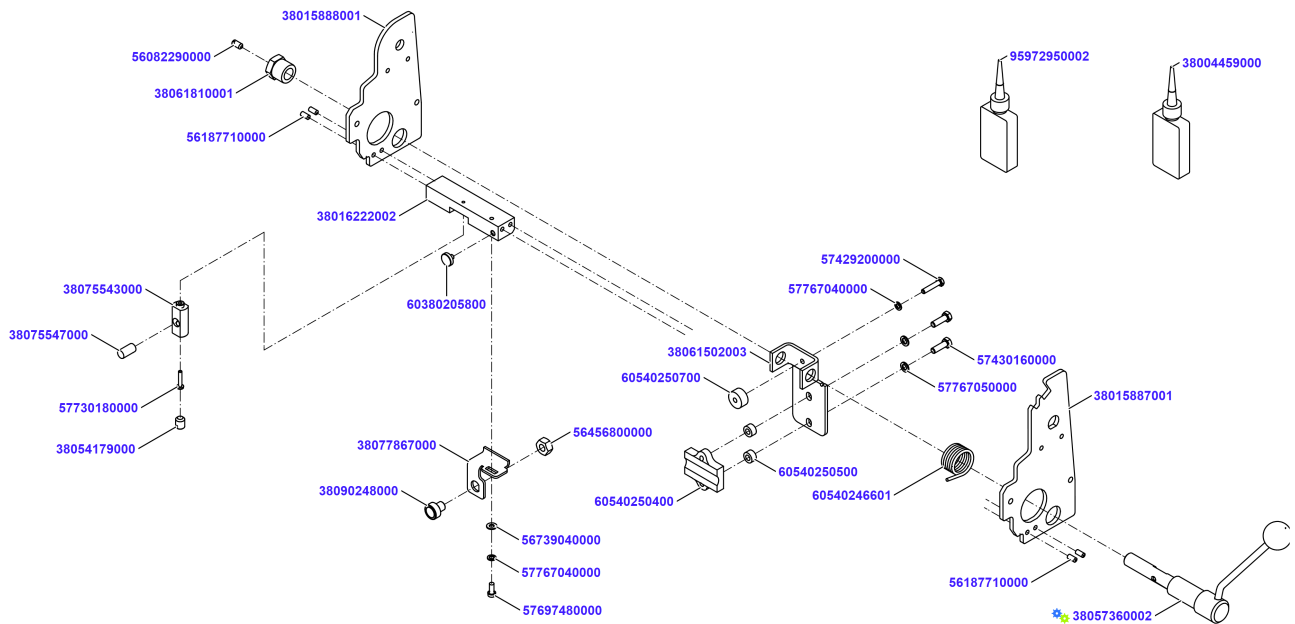
Product Holder folding upwards preass



Product Holder folding upwards preass

Material No.	Qty	Material description	available for order	Wear part	Recomm. sp. part	Metr. relevance
38015882000	1	Product Holder Guide	✓			
56187830000	1	Cylindrical pin EN 22338-5m6x10-A2	✓			
60530202300	1	PIN	✓			
60530206800	1	locking handle assembled	✓			
56739080000	1	Washer DIN125-A-8-A2	✓			
57750600000	1	Retaining washer DIN6799-6	✓			
38015887001	1	Side Cover left	✓			
38015888001	1	Side Cover right	✓			
38050845000	2	Deflector Ring	✓			
60540266600	1	hex nut	✓			
56187850000	4	Parallel Pin DIN 7-5m6x16-A2 561878500	✓			
60540246601	1	Torsion spring left	✓			
95972950002	0,001	Loctite 243 50 ml 95972950002	✓			
56187710000	4	Cylindrical pin EN 22338-4m6x8-A2	✓			
38082937000	1	Lever compl for the Product Holder	✓			
60540247000	2	washer	✓			
60540246801	1	Shaft	✓			
56472600000	1	Hexagon nut DIN439-M10x1-A2-70	✓			
60530208200	1	cap nut	✓			
60540246601	1	Torsion spring left	✓			
60540246701	1	Torsion spring right	✓			
60540247101	1	spacer bushing	✓			
60540247400	1	counter bearing	✓			
60540247500	1	counter bearing	✓			
60540247600	2	washer	✓			
60260207302	1	Control Gear	✓			
56187710000	4	Cylindrical pin EN 22338-4m6x8-A2	✓			
96055070000	0,001	Grease PARALIQ GA 343	✓			
96055050000	0,001	Lubricating Oil F.L.5 Oil UH1	✓			

Product Holder folding upwards press



Product Holder folding upwards preass

Material No.	Qty	Material description	available for order	Wear part	Recomm. sp. part	Metr. relevance
38015887001	1	Side Cover left	✓			
38015888001	1	Side Cover right	✓			
38057360002	1	Bolt cpl	✓			
38061502003	1	Holder	✓			
60540246601	1	Torsion spring left	✓			
60540250700	1	actuator	✓			
57767040000	1	Spring lock washer DIN128-A4-FSt	✓			
57429200000	1	Hexagon Screw DIN 933-M4x20-A2-70	✓			
60540250500	2	WASHER	✓			
57430160000	2	Hexagon Screw DIN 933-M5x16-A2	✓			
57767050000	2	Spring lock washer DIN128-A5-FSt	✓			
95972950002	0,001	Loctite 243 50 ml 95972950002	✓			
38061810001	1	Screw Nut	✓			
38004459000	0,001	Loctite 648	✓			
56082290000	1	Set screw DIN438 M5x10-A2-70	✓			
38016222002	1	Bar	✓			
60380205800	1	SLIDE PIN	✓			
56187710000	4	Cylindrical pin EN 22338-4m6x8-A2	✓			
38077867000	1	Magnet Base	✓			
38090248000	1	Magnet Vacodym 370 wz round 10x4 preass	✓		✓	
56456800000	1	Hexagon Nut DIN 934-M8-A2-70	✓			
57697480000	1	Cylinder screw DIN84 M4x10-A2-70	✓			
56739040000	1	Washer DIN 125-A 4.3-A2-70 56739040000	✓			
57767040000	1	Spring lock washer DIN128-A4-FSt	✓			
60540246601	1	Torsion spring left	✓			
56187710000	4	Cylindrical pin EN 22338-4m6x8-A2	✓			
38075543000	1	Mounting Pin	✓			
57730180000	1	Oval-head screw ISO14583 M3x16-A2-70-T10	✓			
38075547000	1	Parallel Pin 8x15	✓			
38054179000	1	Set screw DIN438 M8x10-A2-70	✓			

Product Holder folding upwards preass

Product Holder folding upwards preass

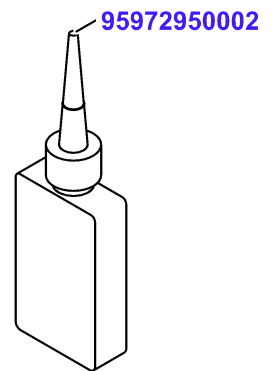
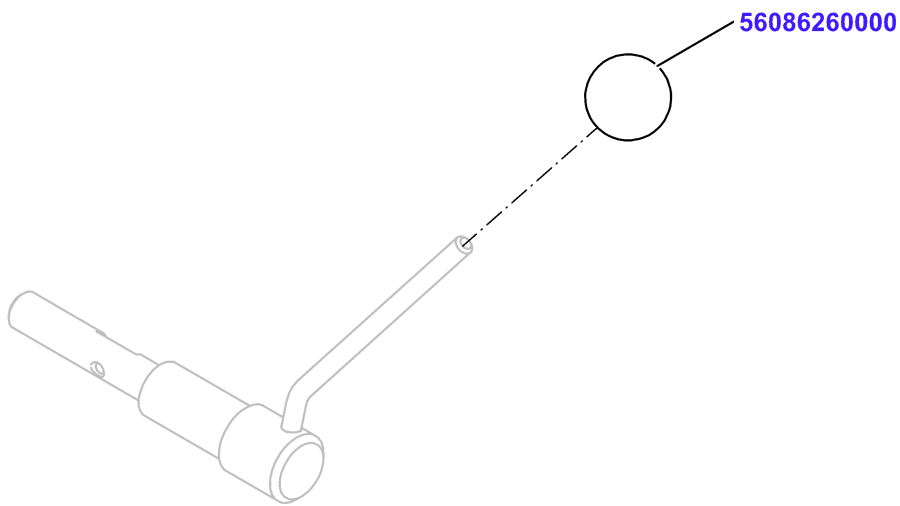
Material No. **Qty** **Material description**

[60540266102](#) 1 Bushing complete

[60540250402](#) 1 Nut Plate

available for order	Wear part	Recomm. sp. part	Metr. relevance

Bolt cpl

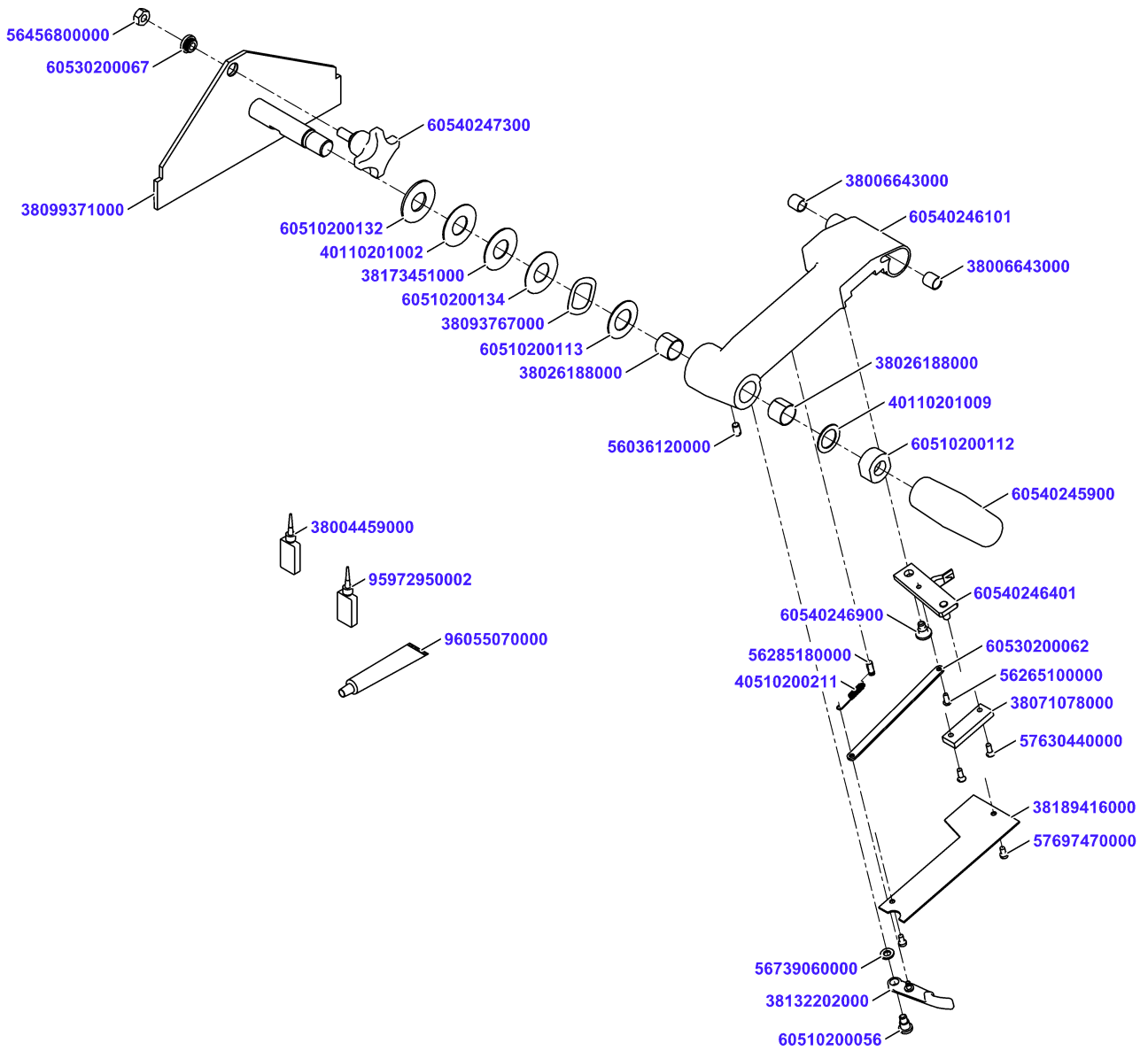


Bolt cpl

Material No.	Qty	Material description
56086260000	1	Ball knob DIN319 M6x25 I
95972950002	0,001	Loctite 243 50 ml 95972950002

available for order
Wear part
Recomm. sp. part
Metr. relevance

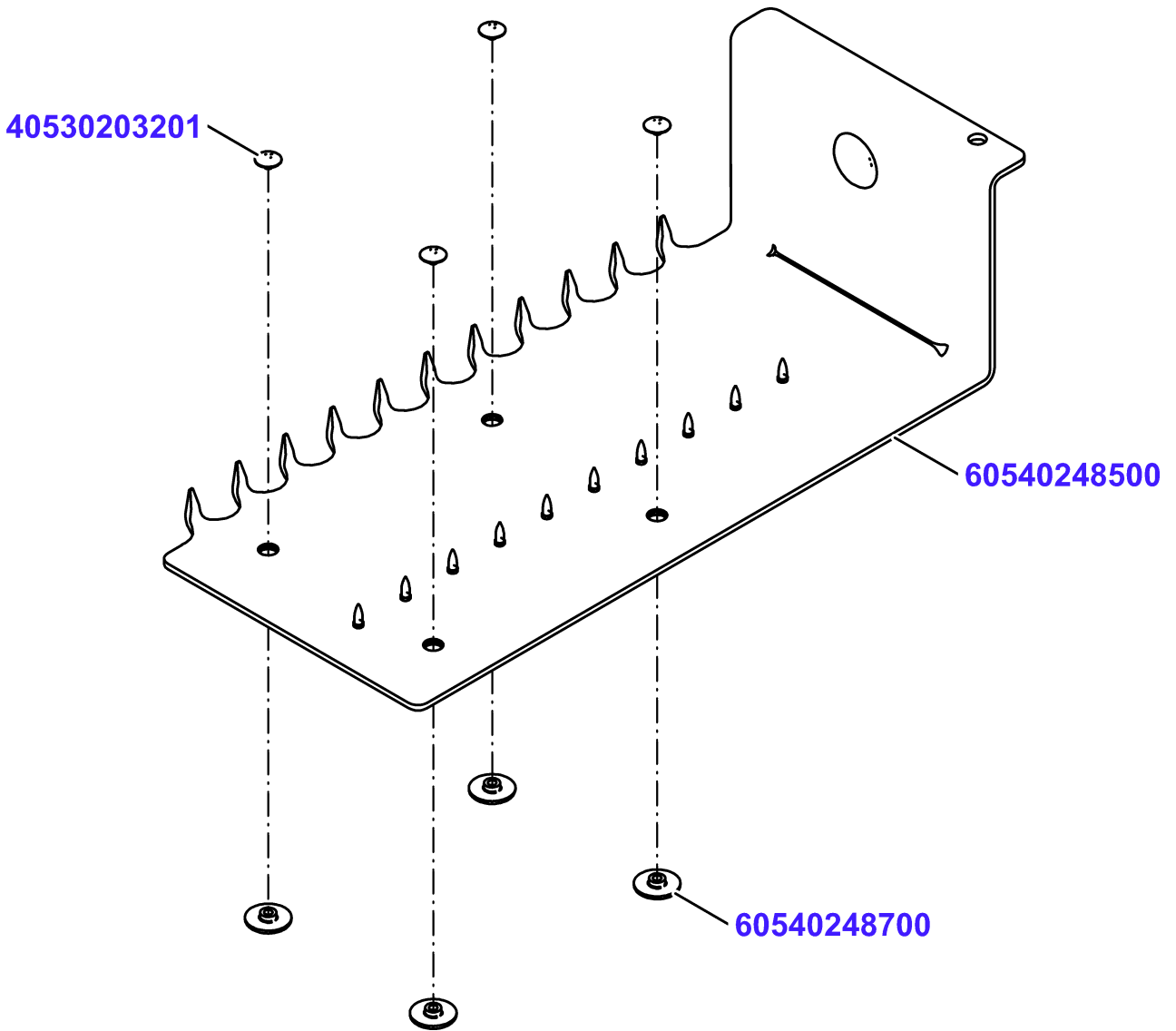
Lever compl for the Product Holder



Lever compl for the Product Holder

Material No.	Qty	Material description	available for order	Wear part	Recomm. sp. part	Metr. relevance
38132202000	1	Lever with pin				
96055070000	0,001	Grease PARALIQ GA 343				
56739060000	1	Washer DIN125-A-6-A2				
38026188000	2	Plain bearing 18x20x15				
38006643000	2	Plain bearing 10x12x12				
56285180000	1	Grooved Pin DIN 1469-C5x14-6.8				
40510200211	1	tension spring				
60540246401	1	locking device, welded				
60530200062	1	mounting link				
56265100000	1	Round-Head Nail DIN 1476-4x10-A2-70				
60540246900	1	pan head screw				
60510200056	1	Pan head screw M6x7,1x7				
38071078000	1	bar				
57630440000	2	Countersunk screw DIN963 M4x12-A2-70				
38189416000	1	Cover plate				
57697470000	2	Cheese-Head Cylinder Screw DIN84-M4x8-A2				
38099371000	1	Bearing rail preass.				
60530200067	1	collar nut				
60540247300	1	Star knob M8x18,5				
56456800000	1	Hexagon Nut DIN 934-M8-A2-70				
60510200113	1	washer 20 (1mm)				
40110201002	1	Washer 40x18,15x1 - POM				
60510200132	1	Washer				
38173451000	1	Washer 18,1x40x1				
40110201009	1	Washer				
60510200134	1	washer 0,5mm				
60510200112	1	lock nut				
60540245900	1	Handhold 91x28 M16x1 - PA6 black				
56036120000	1	Set screw DIN551 M6x12-14H				
96055070000	0,020	Grease PARALIQ GA 343				
38004459000	0,001	Loctite 648				
95972950002	0,001	Loctite 243 50 ml 95972950002				
38093767000	1	Wave Washer 36x25,2x3				
60540246101	1	lever ass.				

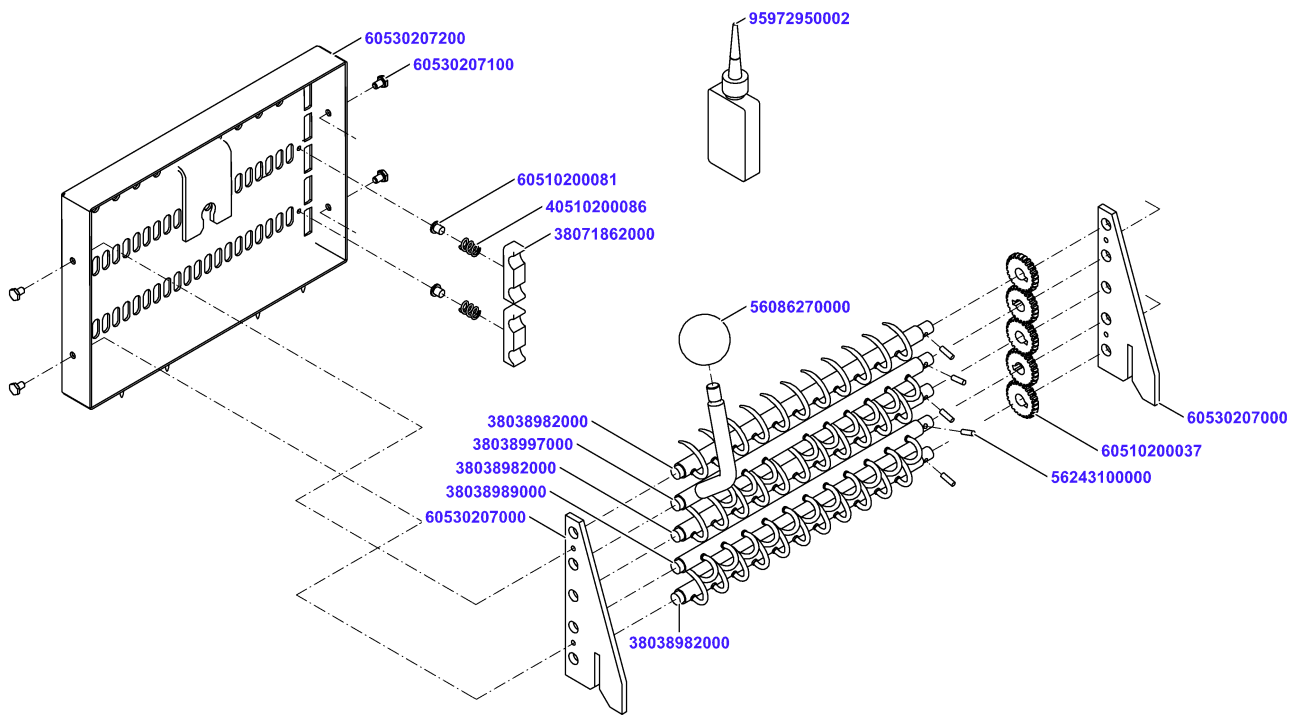
product supporting plate ass.










product supporting plate ass.

Material No.	Qty	Material description	available for order	Wear part	Recomm. sp. part	Metr. relevance
60540248500	1	product supporting plate welded				
40530203201	4	push button				
60540248700	4	glide piece				

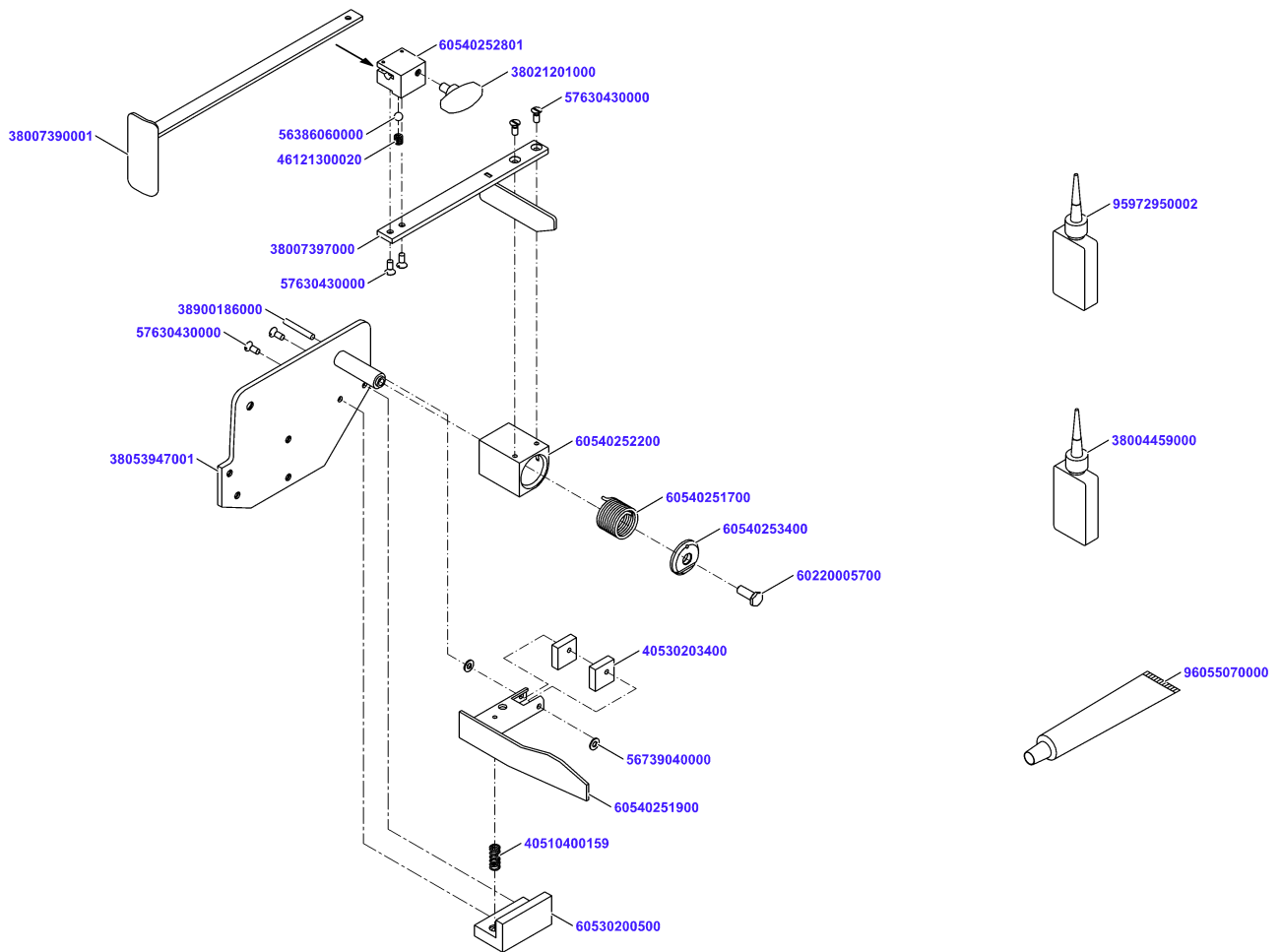
Product holder ass.



Product holder ass.

Material No.	Qty	Material description	available for order	Wear part	Recomm. sp. part	Metr. relevance
60530207200	1	Product holder housing preass.				
60510200081	2	collar stud				
60530207000	2	side frame				
38038982000	3	Gripper Shaft cpl.				
38038989000	1	Gripper Shaft cpl.				
38038997000	1	Gripper Shaft cpl.				
56086270000	1	Ball knob DIN319 M8x32 I				
56243100000	5	Cylindrical pin DIN 7-3h11x10-A2-70				
60510200037	5	Pinion				
40510200086	2	Pressure spring				
38071862000	2	brake pad				
60530207100	4	Hexagon Screw M4x6 A2-70 Hygiene				
95972950002	0,001	Loctite 243 50 ml 95972950002				

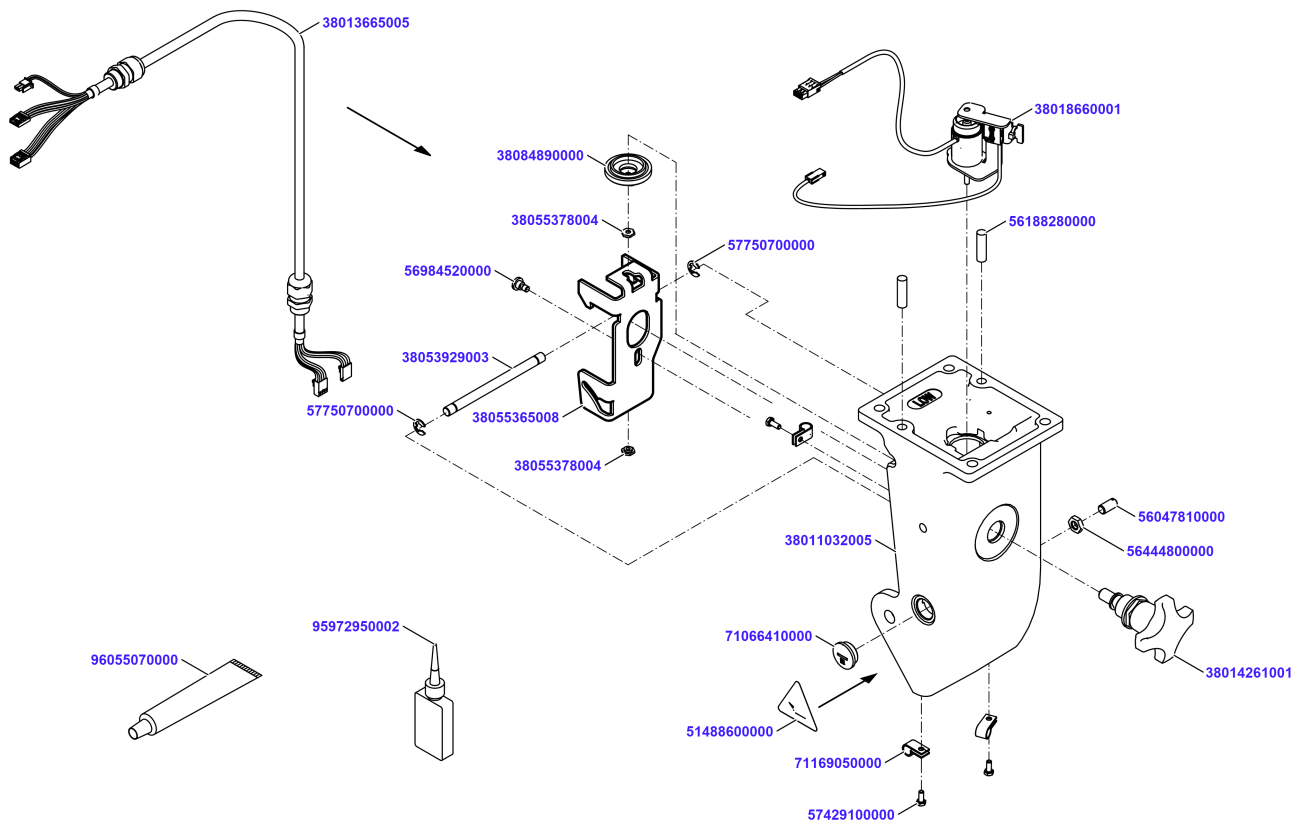
Product Supporter horizontal cpl



Product Supporter horizontal cpl

Material No.	Qty	Material description	available for order	Wear part	Recomm. sp. part	Metr. relevance
38053947001	1	Mounting with Shaft	✓			
60540251900	1	Lever welded complete	✓			
40530203400	2	buffer	✓			
38900186000	1	Cylindrical pin DIN7-4m6x28-A2	✓			
56739040000	2	Washer DIN 125-A 4.3-A2-70 56739040000	✓			
40510400159	1	pressure spring	✓			
60530200500	1	supporting angle	✓			
57630430000	6	Countersunk Screw DIN 963-M4x10-A2-70	✓			
95972950002	0,001	Loctite 243 50 ml 95972950002	✓			
60540252200	1	hub preass.	✓			
60540251700	1	spring	✓			
96055070000	0,005	Grease PARALIQ GA 343	✓			
60540253400	1	tightening disk	✓			
60220005700	1	hexagon screw oval-head M 6x16	✓			
38004459000	0,001	Loctite 648	✓			
38007397000	1	Cantilever welded	✓			
60540252801	1	take up device preassembled	✓			
56386060000	1	Ball DIN5401 6-1.4034	✓			
46121300020	1	Pressure spring 6121300020	✓			
38021201000	1	Wing screw M6x10-1.4308	✓			
38007390001	1	Holder welded	✓			

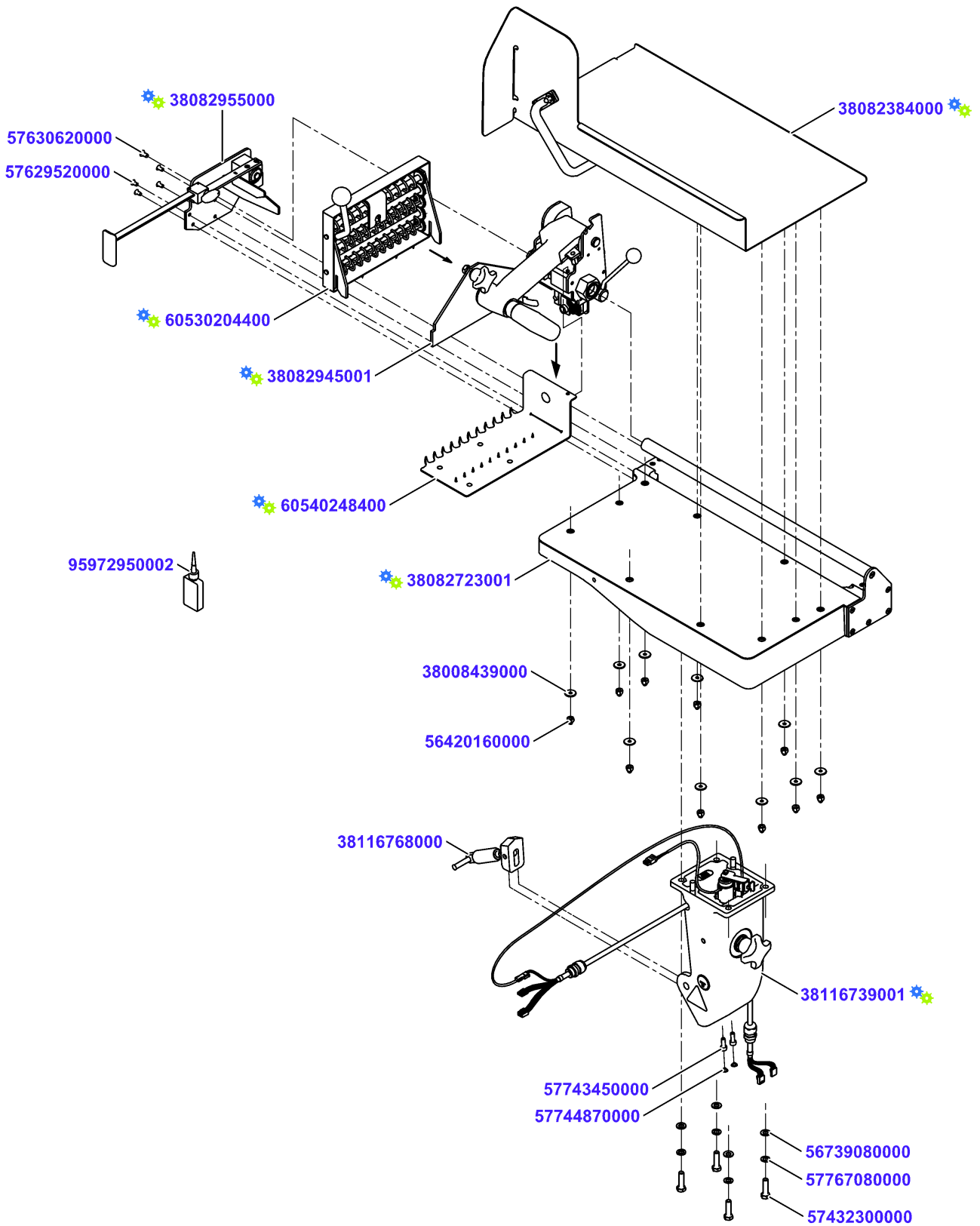
Carriage Foot low cpl



Carriage Foot low cpl

Material No.	Qty	Material description	available for order	Wear part	Recomm. sp. part	Metr. relevance
38011032005	1	Carriage Foot low mach	✓			
56188280000	2	Cylindrical pin EN 22338-8m6x28-A2	✓			
56047810000	1	Set screw DIN551 M8x16-PA 66	✓			
56444800000	1	Hexagon nut DIN439-M8-A2	✓			
38018660001	1	Magnet preass	✓	✓	✓	
38084890000	1	Cap preass	✓			
38055378004	2	Hexagon nut	✓			
95972950002	0,001	Loctite 243 50 ml 95972950002	✓			
38055365008	1	Interlock	✓			
96055070000	0,001	Grease PARALIQ GA 343	✓			
56984520000	1	Pan head screw DIN923 M5x4A2-70	✓			
71066410000	1	Plug Round M20x1.5	✓			
38014261001	1	Handle preass	✓			
38053929003	1	Stop Bolt	✓			
57750700000	2	Retaining washer DIN6799-7	✓			
71169050000	3	Cable Clamp nylon 7,4mm NK-5N	✓			
38013665005	1	Ka Rd 12x24AWG 0,87m	✓			
57429100000	3	Hexagon Screw DIN933 M4x10 A2-70	✓			
51488600000	1	Warning Plate Hand Injury 7.29K	✓			

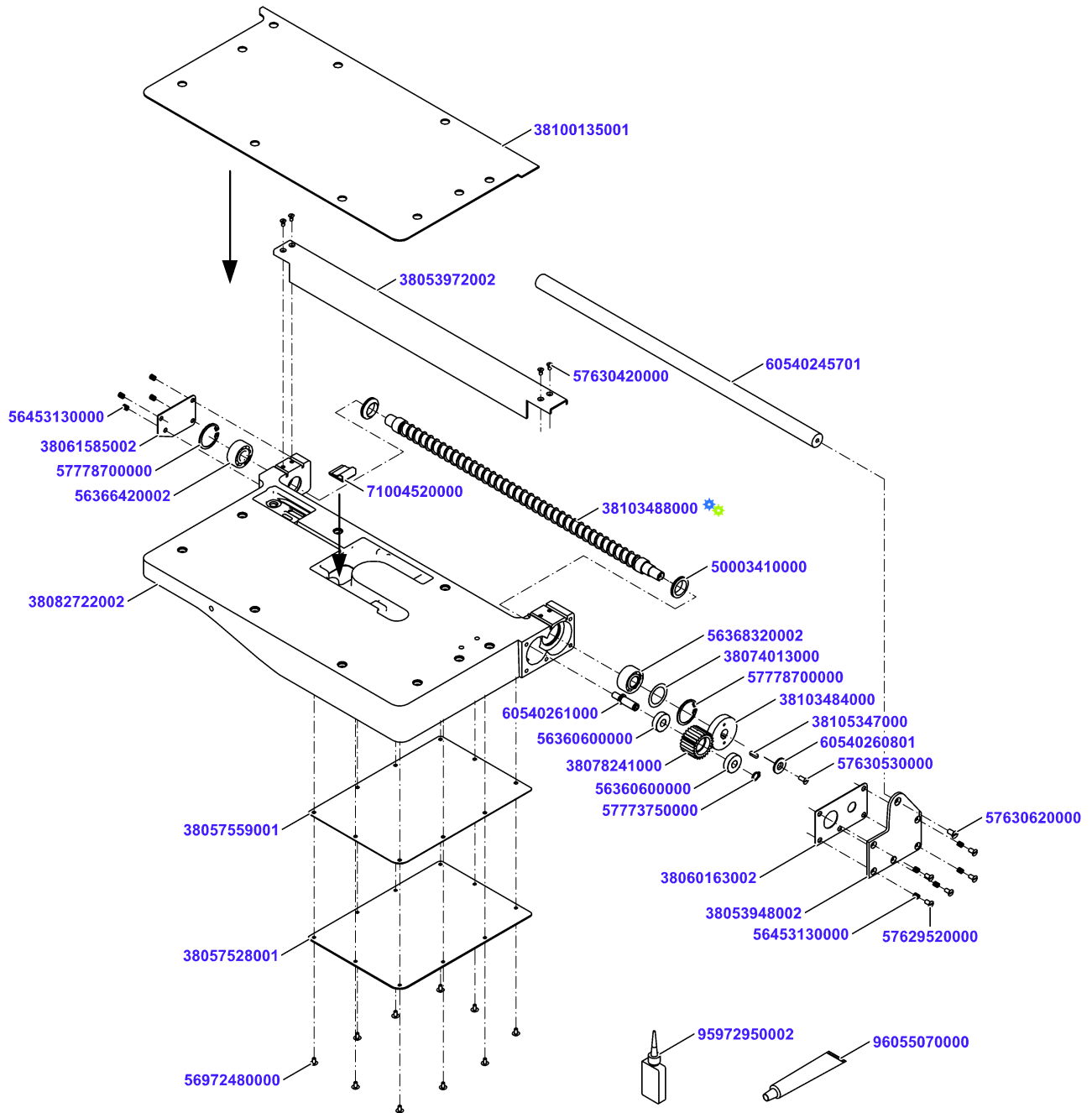
Carriage 400 with Peaks



Carriage 400 with Peaks

Material No.	Qty	Material description	available for order	Wear part	Recomm. sp. part	Metr. relevance
38082723001	1	Carriage 400 cpl				
38082384000	1	Carriage Plate 400 preass	✓			
56420160000	10	Cap nut DIN986-M6-A2	✓			
38008439000	10	Sealing washer M6	✓		✓	
38082955000	1	Product Supporter horizontal cpl	✓			
57629520000	4	Countersunk Screw DIN 963-M5x10-A2-70	✓			
57630620000	1	Countersunk screw DIN963 M6x12-A2-70	✓			
38116739001	1	Carriage Foot low cpl.	✓			
57432300000	4	Hexagon screw DIN933 M8x30 A2-70	✓			
57767080000	4	Spring lock washer DIN128-A8-A2	✓			
56739080000	4	Washer DIN125-A-8-A2	✓			
38116768000	1	Gas pressure spring carriage 400 cpl	✓		✓	
57743450000	2	Cylinder screw DIN912 M6x16-A2-70	✓			
95972950002	0,001	Loctite 243 50 ml 95972950002	✓			
57744870000	2	Protective plug 10x5,2x3,1-PE	✓		✓	
38082945001	1	Product Holder folding upwards preass.	✓			
60530204400	1	Product holder ass.	✓			
60540248400	1	product supporting plate ass.	✓			

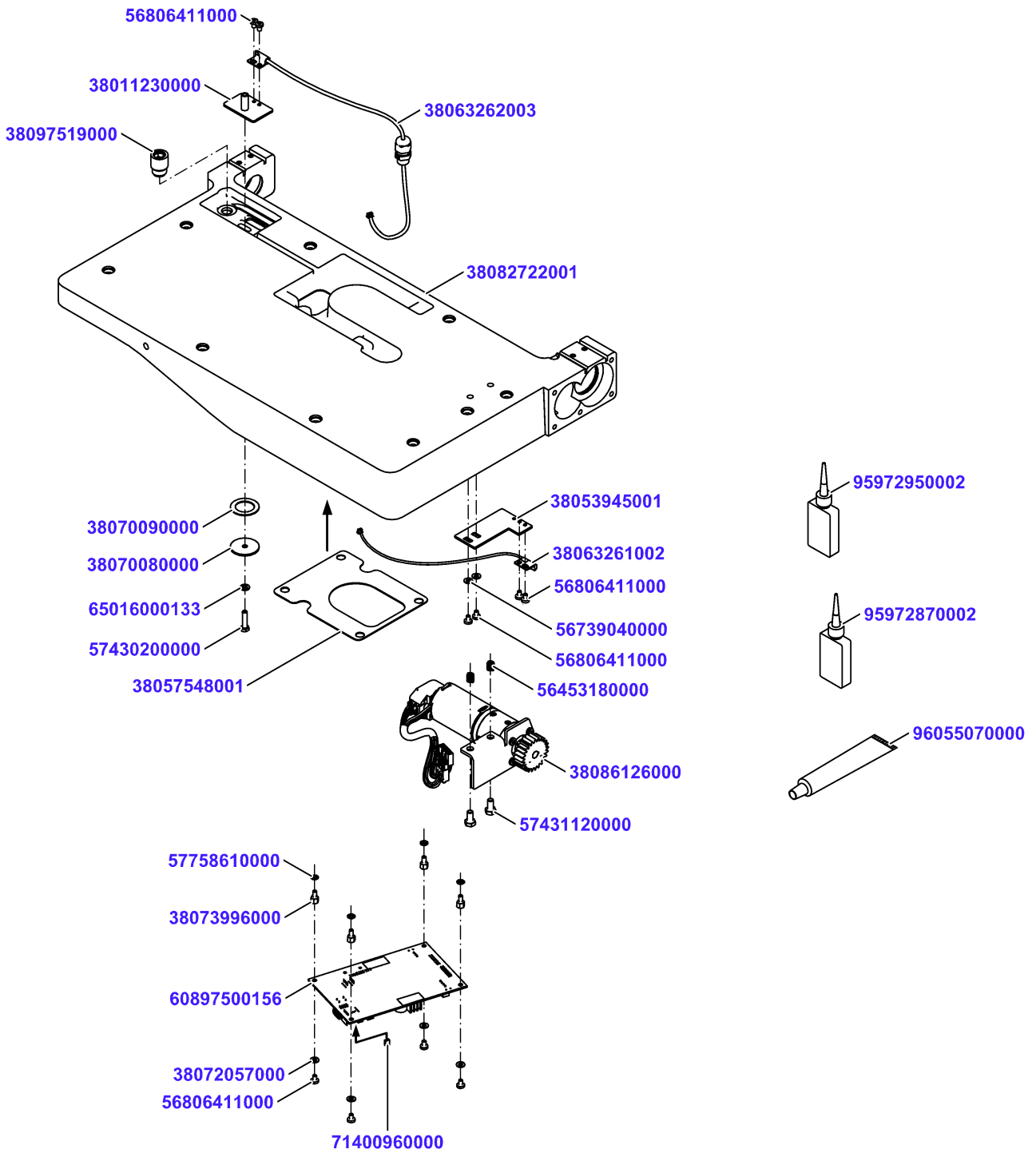
Carriage 400 cpl



Carriage 400 cpl

Material No.	Qty	Material description	available for order	Wear part	Recomm. sp. part	Metr. relevance
38082722002	1	Carriage 400 Cast machined	✓			
56453130000	9	Thread insert M5x7,5-A2	✓			
56366420002	1	Self-Aligning Ball Bearing 2202	✓			
57778700000	1	Retaining ring DIN472-35x1,5	✓			
50003410000	1	Wiper ring 30x20x7	✓			
38103488000	1	feed spindle ass.	✓			
50003410000	1	Wiper ring 30x20x7	✓			
56368320002	1	Angular bearing double-row 15x35x15,9	✓			
57778700000	1	Retaining ring DIN472-35x1,5	✓			
38074013000	1	Shim ring DIN988-25x35x0,1	✓			
38103484000	1	Gear Wheel	✓			
96055070000	0,001	Grease PARALIQ GA 343	✓			
38105347000	1	Parallel key DIN6885-A 5x3x14	✓			
60540260801	1	Washer	✓			
57630530000	1	Countersunk Screw DIN963 M5x12-A2-70	✓			
95972950002	0,001	Loctite 243 50 ml 95972950002	✓			
60540261000	1	bolt	✓			
38078241000	1	Gear Wheel	✓			
56360600000	2	Grooved Ball Bearing DIN625 10x26x8	✓			
57773750000	1	Retaining Ring DIN471-10x1 57773750000	✓			
38053972002	1	Guide Rail 400er	✓			
57630420000	4	Countersunk Screw DIN963-M4x8-A2-70	✓			
71004520000	1	Flat Cabel Holder 3484-1000	✓			
38053948002	1	Flange	✓			
38060163002	1	Sealing	✓		✓	
57629520000	5	Countersunk Screw DIN 963-M5x10-A2-70	✓			
38061585002	1	sealing	✓		✓	
60540245701	1	guide shaft	✓			
57630620000	1	Countersunk screw DIN963 M6x12-A2-70	✓			
38100135001	1	Flat Seal Carriage Plate 400	✓		✓	
38057528001	1	Cover 255,4x177,4x2	✓		✓	
38057559001	1	Seal Cover	✓		✓	
56972480000	10	Mushroom head screw M4x8-A2-70 Tuflok	✓		✓	

Carriage 400 cpl




Carriage 400 cpl

Material No.	Qty	Material description	available for order	Wear part	Recomm. sp. part	Metr. relevance
56453180000	2	Threaded insert Heli-Coil D M6x9	✓			
96055070000	0,001	Grease PARALIQ GA 343	✓			
95972950002	0,001	Loctite 243 50 ml 95972950002	✓			
38053945001	1	Board	✓			
38063261002	1	Sensor product feeding 1 VSI	✓			
56806411000	4	Oval-Head Screw ISO 14583-M4x6-T20-A2-70	✓			
56739040000	2	Washer DIN 125-A 4.3-A2-70 56739040000	✓			
38011230000	1	Board cpl	✓			
38063262003	1	Sensor product feeding 2 VSI	✓			
56806411000	2	Oval-Head Screw ISO 14583-M4x6-T20-A2-70	✓			
38070080000	1	Washer	✓			
38070090000	1	Sealing	✓		✓	
57430200000	1	Hexagon Screw DIN 933-M5x20-A2-70	✓			
65016000133	1	Washer 5-PA 65016000133	✓			
38097519000	1	Sleeve 18 x 10 x 24.25	✓			
95972870002	0,001	Loctite 638 95972870002	✓			
38086126000	1	Motor Product Feeding BG42x15 cpl	✓			
57431120000	2	Hexagon Screw DIN 933-M6x12-A2-7	✓			
71400960000	1	SHORT CIRCUIT BRACKET 3131 731000406	✓		✓	
57758610000	4	Toothed washer DIN6797-A 4,3-Fst	✓			
38073996000	4	Distance bolt SW7x6 M4-M4 In-Out	✓			
56806411000	4	Oval-Head Screw ISO 14583-M4x6-T20-A2-70	✓			
38072057000	4	Washer DIN 125-A 4,3-PA6 38072057000	✓			
38057548001	1	Seal	✓		✓	

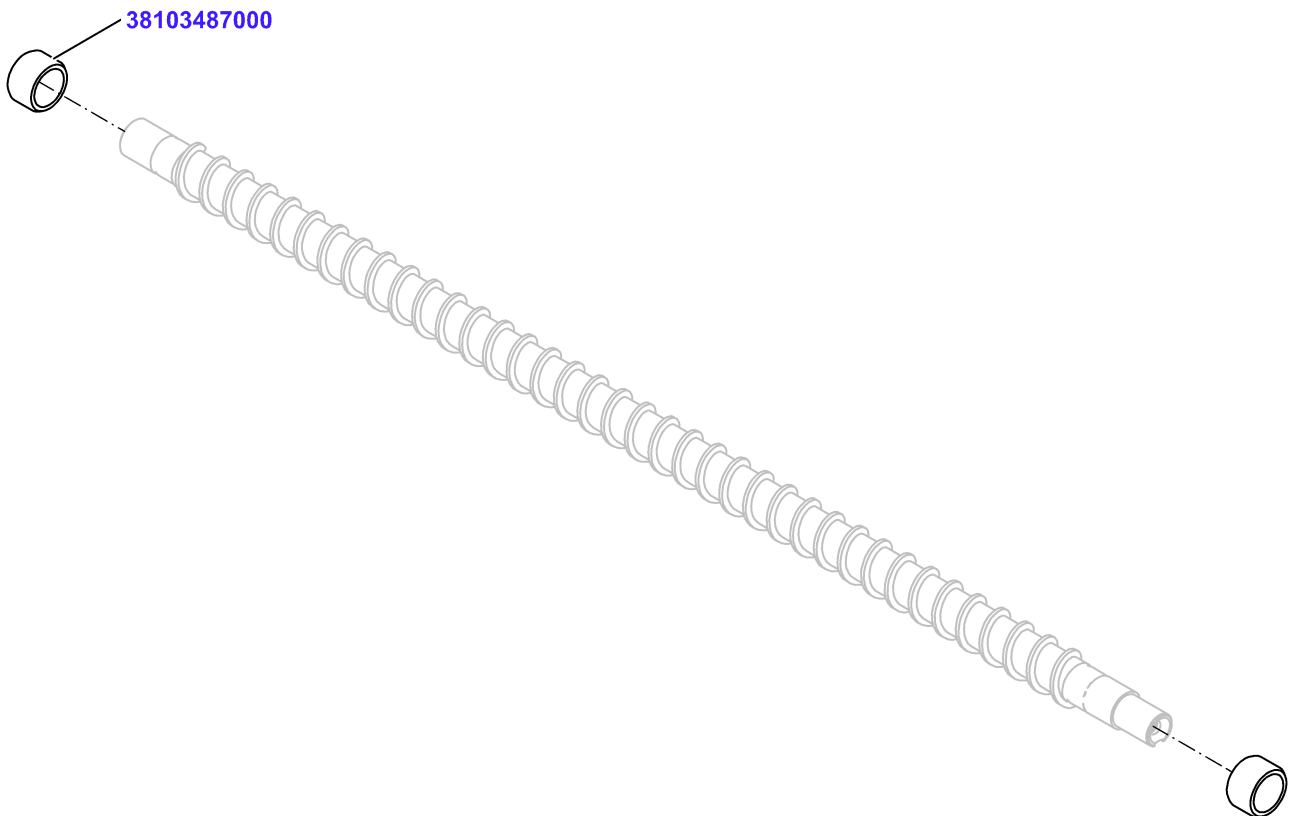
Carriage 400 cpl

Carriage 400 cpl

Material No.	Qty	Material description
60897500157	1	PCBAP MC 3ph 2ch lv bus


	available for order
	Wear part
	Recomm. sp. part
	Metr. relevance

feed spindle ass.

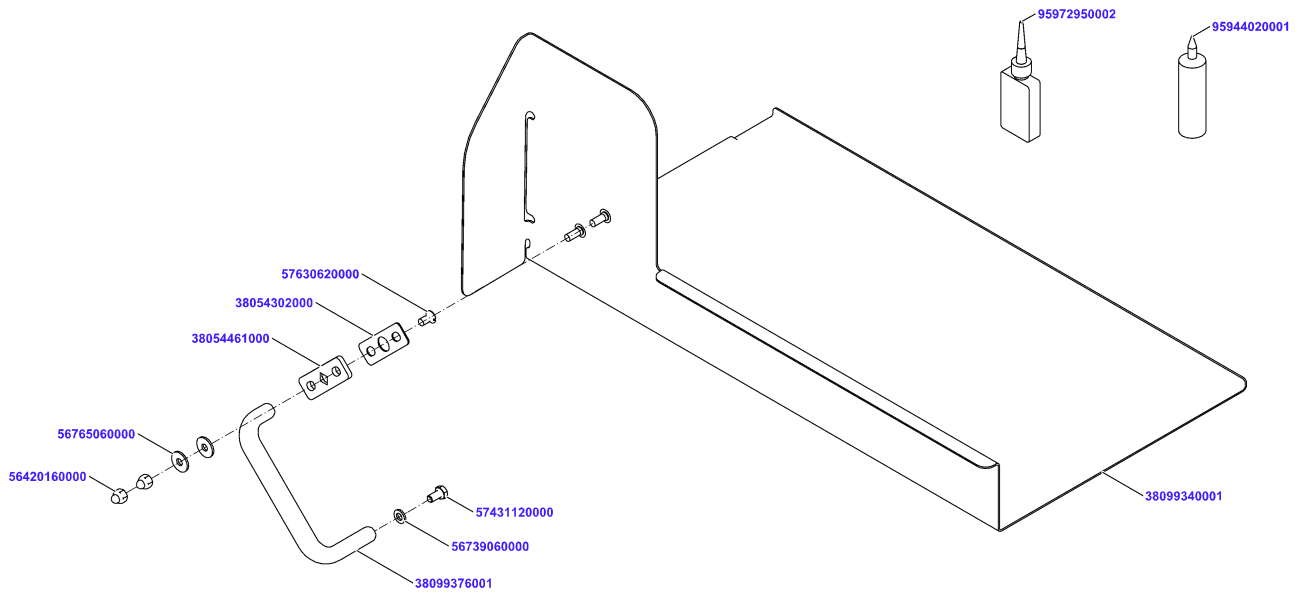


feed spindle ass.

Material No.	Qty	Material description
38103487000	2	Ring

	available for order
	Wear part
	Recomm. sp. part
	Metr. relevance

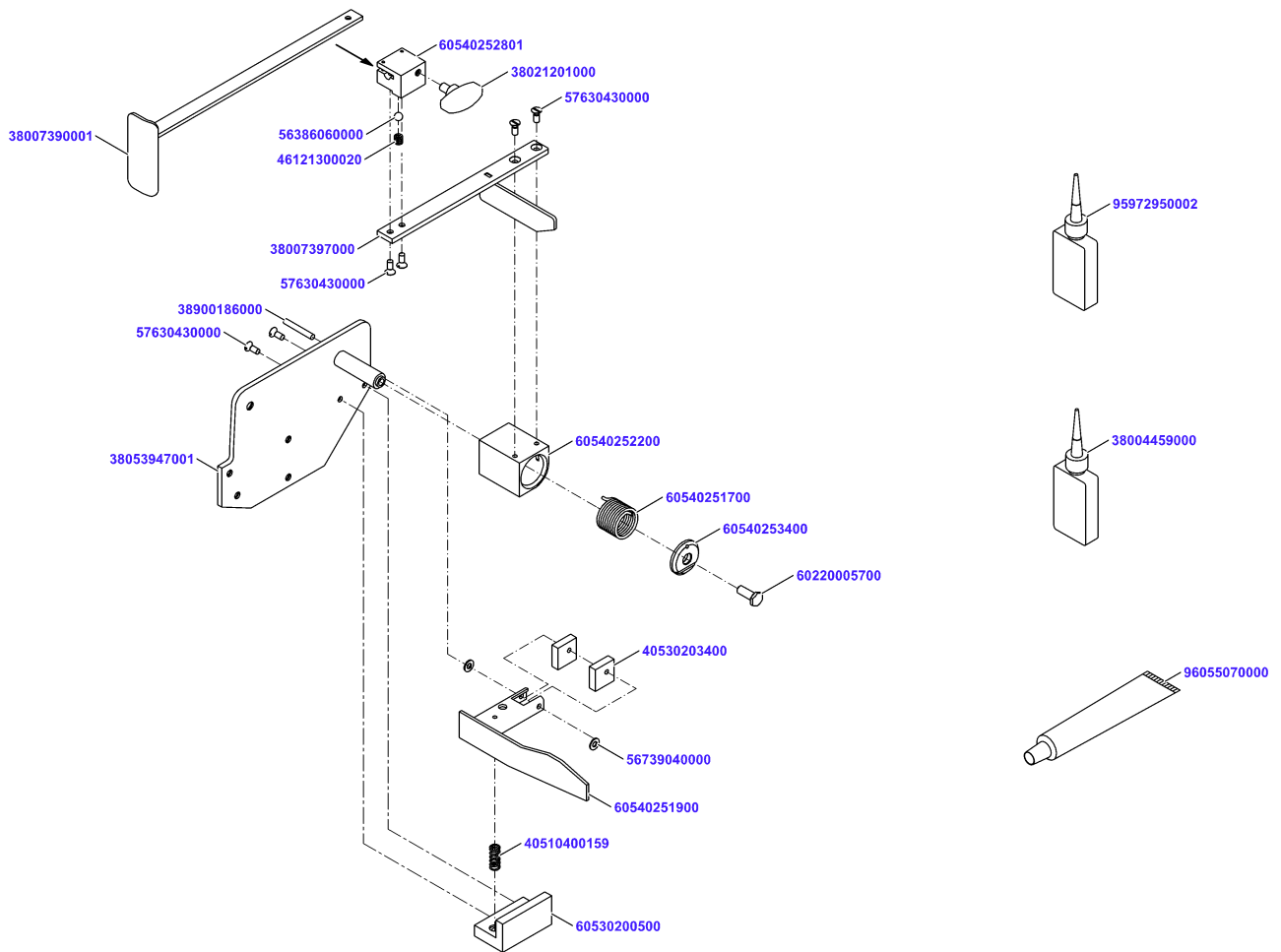
Carriage Plate 400 preass
























Carriage Plate 400 preass

Material No.	Qty	Material description	available for order	Wear part	Recomm. sp. part	Metr. relevance
38099340001	1	Carriage Plate welded	✓			
38099376001	1	Handle	✓			
38054461000	1	Plate	✓			
38054302000	1	Gasket	✓		✓	
95944020001	10	Silicone Rubber Elastosil E41 90ml	✓			
57630620000	1	Countersunk screw DIN963 M6x12-A2-70	✓			
95972950002	0,001	Loctite 243 50 ml 95972950002	✓			
56420160000	2	Cap nut DIN986-M6-A2	✓			
56765060000	2	Washer DIN9021-6-A2	✓			
57431120000	1	Hexagon Screw DIN 933-M6x12-A2-7	✓			
56739060000	1	Washer DIN125-A-6-A2	✓			

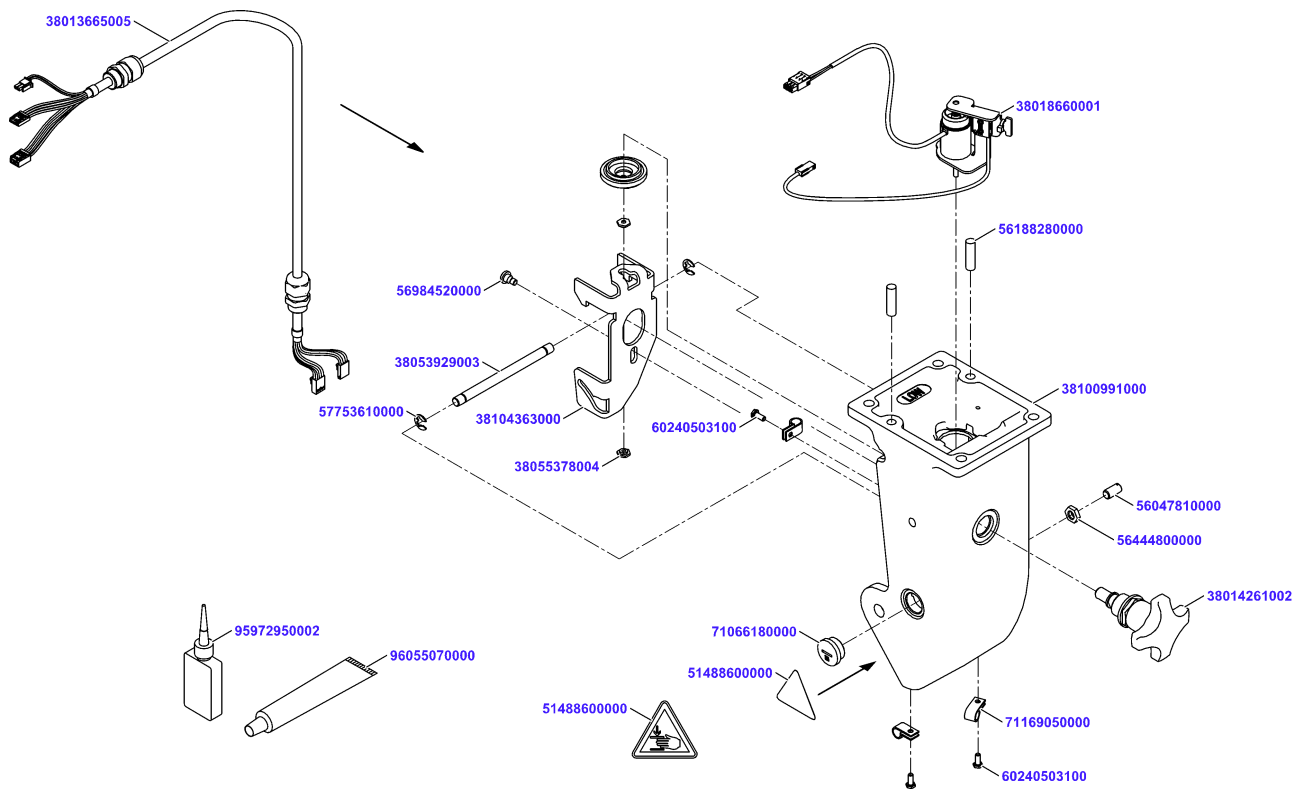
Product Supporter horizontal cpl



Product Supporter horizontal cpl

Material No.	Qty	Material description	available for order	Wear part	Recomm. sp. part	Metr. relevance
38053947001	1	Mounting with Shaft				
60540251900	1	Lever welded complete				
40530203400	2	buffer				
38900186000	1	Cylindrical pin DIN7-4m6x28-A2				
56739040000	2	Washer DIN 125-A 4.3-A2-70 56739040000				
40510400159	1	pressure spring				
60530200500	1	supporting angle				
57630430000	6	Countersunk Screw DIN 963-M4x10-A2-70				
95972950002	0,001	Loctite 243 50 ml 95972950002				
60540252200	1	hub preass.				
60540251700	1	spring				
96055070000	0,005	Grease PARALIQ GA 343				
60540253400	1	tightening disk				
60220005700	1	hexagon screw oval-head M 6x16				
38004459000	0,001	Loctite 648				
38007397000	1	Cantilever welded				
60540252801	1	take up device preassembled				
56386060000	1	Ball DIN5401 6-1.4034				
46121300020	1	Pressure spring 6121300020				
38021201000	1	Wing screw M6x10-1.4308				
38007390001	1	Holder welded				

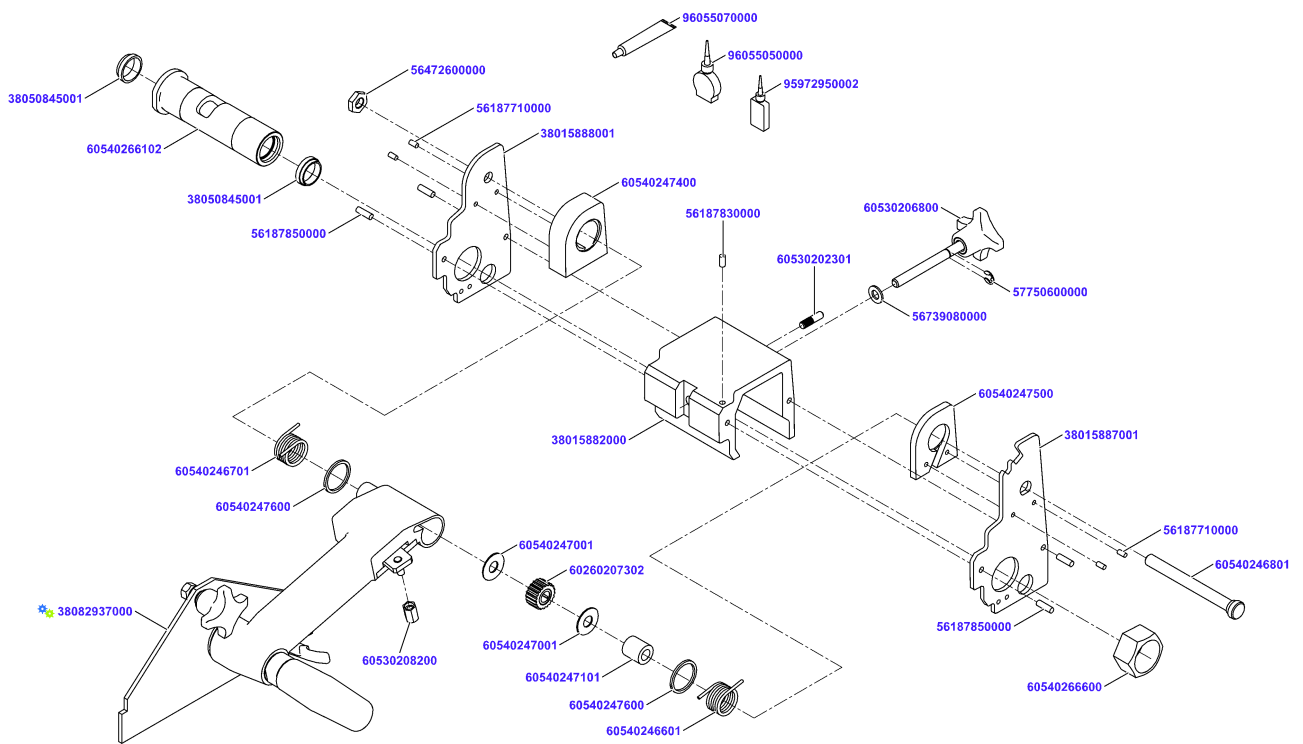
Carriage Foot low cpl.



Carriage Foot low cpl.

Material No.	Qty	Material description	available for order	Wear part	Recomm. sp. part	Metr. relevance
38100991000	1	Carriage Foot low hygienic mach	✓			
56188280000	2	Cylindrical pin EN 22338-8m6x28-A2	✓			
56047810000	1	Set screw DIN551 M8x16-PA 66	✓			
56444800000	1	Hexagon nut DIN439-M8-A2	✓			
38018660001	1	Magnet preass	✓	✓		
38084890000	1	Cap preass	✓			
38055378004	2	Hexagon nut	✓			
95972950002	0,001	Loctite 243 50 ml 95972950002	✓			
38104363000	1	Interlock	✓			
96055070000	0,001	Grease PARALIQ GA 343	✓			
56984520000	1	Pan head screw DIN923 M5x4A2-70	✓			
71066180000	1	Blind plug BLK- M20	✓			
38014261002	1	Handle preass.	✓			
38053929003	1	Stop Bolt	✓			
57753610000	2	Retaining Washer DIN6799-7 57753610000	✓			
71169050000	3	Cable Clamp nylon 7,4mm NK-5N	✓			
38013665005	1	Ka Rd 12x24AWG 0,87m	✓			
60240503100	3	Hexagon screw DIN 933 M4x10-A2-70	✓			
51488600000	1	Warning Plate Hand Injury 7.29K	✓			

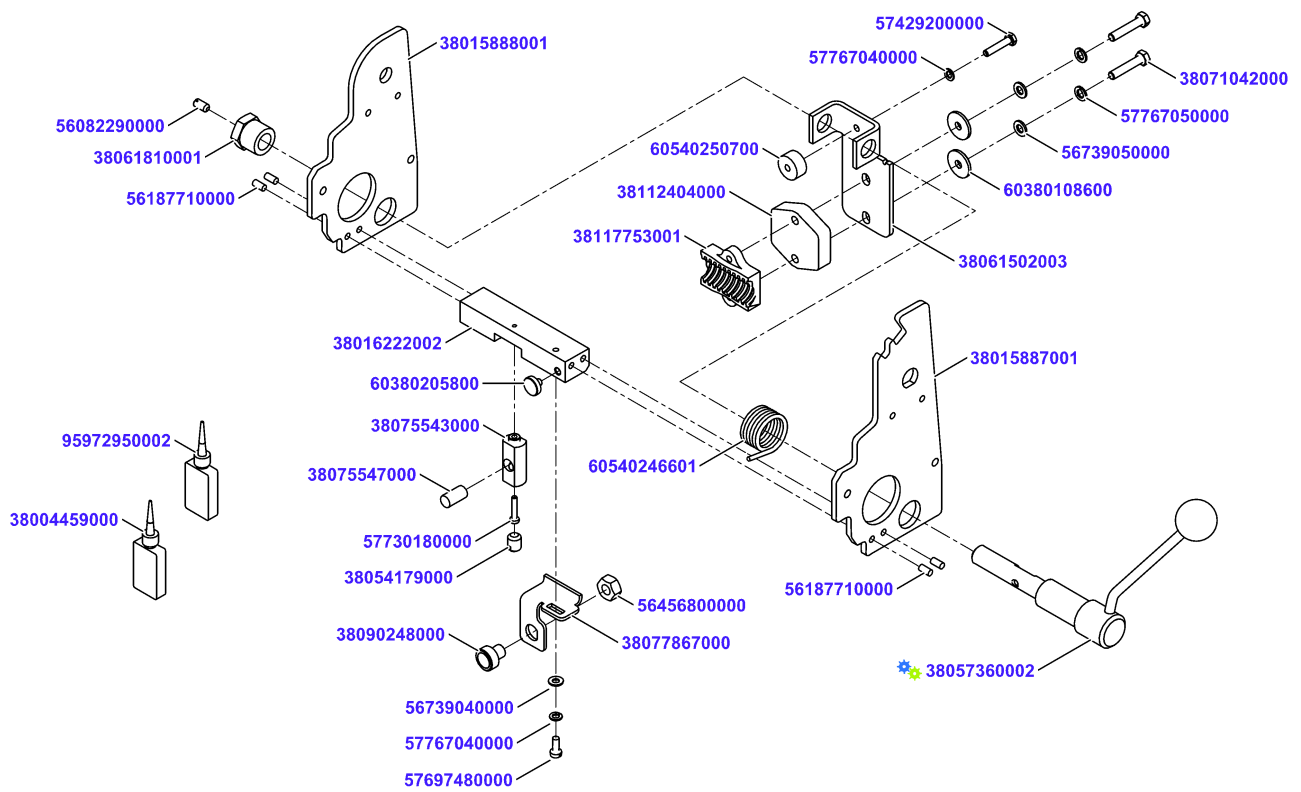
Product Holder folding upwards press.



Product Holder folding upwards preass.

Material No.	Qty	Material description	available for order	Wear part	Recomm. sp. part	Metr. relevance
38015882000	1	Product Holder Guide	✓			
56187830000	1	Cylindrical pin EN 22338-5m6x10-A2	✓			
60530202301	1	Pin 27x6 hardened	✓			
60530206800	1	locking handle assembled	✓			
56739080000	1	Washer DIN125-A-8-A2	✓			
57750600000	1	Retaining washer DIN6799-6	✓			
38015887001	1	Side Cover left	✓			
38015888001	1	Side Cover right	✓			
60540266102	1	Bushing complete	✓			
38050845001	2	Deflector ring 25x20,2x7	✓			
60540266600	1	hex nut	✓			
56187850000	4	Parallel Pin DIN 7-5m6x16-A2 561878500	✓			
60540246601	1	Torsion spring left	✓			
95972950002	0,001	Loctite 243 50 ml 95972950002	✓			
56187710000	4	Cylindrical pin EN 22338-4m6x8-A2	✓			
38082937000	1	Lever compl for the Product Holder	✓			
60540247001	2	Washer 10,5x25x1	✓			
60540246801	1	Shaft	✓			
56472600000	1	Hexagon nut DIN439-M10x1-A2-70	✓			
60530208200	1	cap nut	✓			
60540246601	1	Torsion spring left	✓			
60540246701	1	Torsion spring right	✓			
60540247101	1	spacer bushing	✓			
60540247400	1	counter bearing	✓			
60540247500	1	counter bearing	✓			
60540247600	2	washer	✓			
60260207302	1	Control Gear	✓			
56187710000	4	Cylindrical pin EN 22338-4m6x8-A2	✓			
96055070000	0,001	Grease PARALIQ GA 343	✓			
96055050000	0,001	Lubricating Oil F.L.5 Oil UH1	✓			

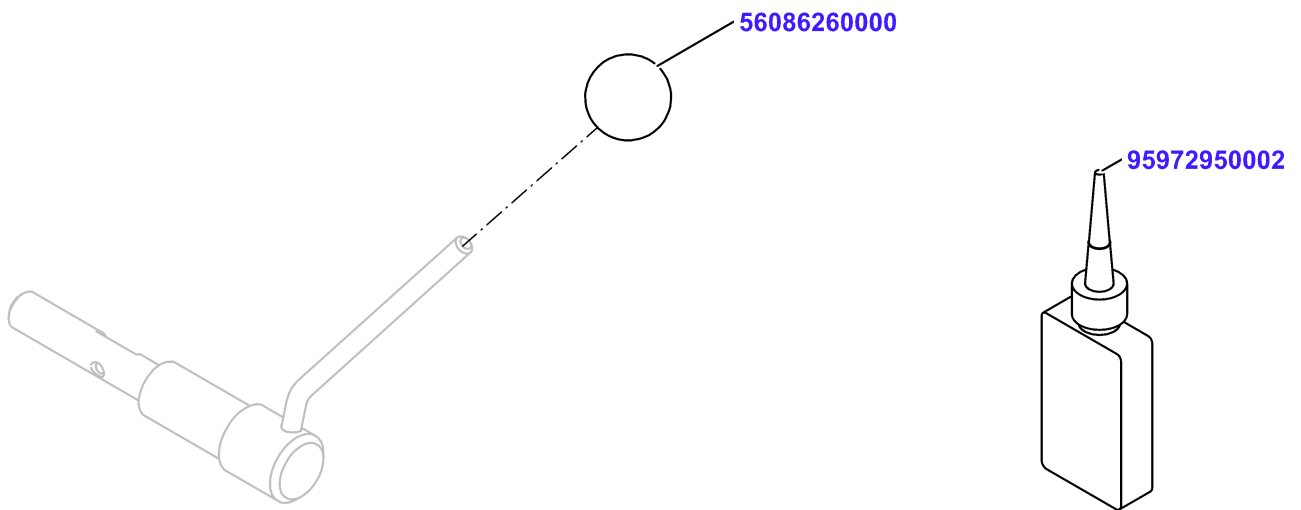
Product Holder folding upwards preass.



Product Holder folding upwards preass.



Material No.	Qty	Material description	available for order	Wear part	Recomm. sp. part	Metr. relevance
38015887001	1	Side Cover left	✓			
38015888001	1	Side Cover right	✓			
38057360002	1	Bolt cpl	✓			
38061502003	1	Holder	✓			
60540246601	1	Torsion spring left	✓			
60540250700	1	actuator	✓			
57767040000	1	Spring lock washer DIN128-A4-FSt	✓			
57429200000	1	Hexagon Screw DIN 933-M4x20-A2-70	✓			
38071042000	2	Hexagon Screw DIN 933 M5x25 A2-70	✓			
57767050000	2	Spring lock washer DIN128-A5-FSt	✓			
56739050000	2	Washer DIN 125-A 5_3 -A2-70 56739050000	✓			
60380108600	2	Washer	✓			
38112404000	1	Spacer plate 40x40x10	✓			
38117753001	1	Nut Plate TR20X12P4	✓	✓		
95972950002	0,001	Loctite 243 50 ml 95972950002	✓			
38061810001	1	Screw Nut	✓			
38004459000	0,001	Loctite 648	✓			
56082290000	1	Set screw DIN438 M5x10-A2-70	✓			
38016222002	1	Bar	✓			
60380205800	1	SLIDE PIN	✓			
56187710000	4	Cylindrical pin EN 22338-4m6x8-A2	✓			
38077867000	1	Magnet Base	✓			
38090248000	1	Magnet Vacodym 370 wz round 10x4 preass	✓		✓	
56456800000	1	Hexagon Nut DIN 934-M8-A2-70	✓			
57697480000	1	Cylinder screw DIN84 M4x10-A2-70	✓			
56739040000	1	Washer DIN 125-A 4.3-A2-70 56739040000	✓			
57767040000	1	Spring lock washer DIN128-A4-FSt	✓			
60540246601	1	Torsion spring left	✓			
56187710000	4	Cylindrical pin EN 22338-4m6x8-A2	✓			
38075543000	1	Mounting Pin	✓			
57730180000	1	Oval-head screw ISO14583 M3x16-A2-70-T10	✓			
38075547000	1	Parallel Pin 8x15	✓			
38054179000	1	Set screw DIN438 M8x10-A2-70	✓			

Bolt cpl

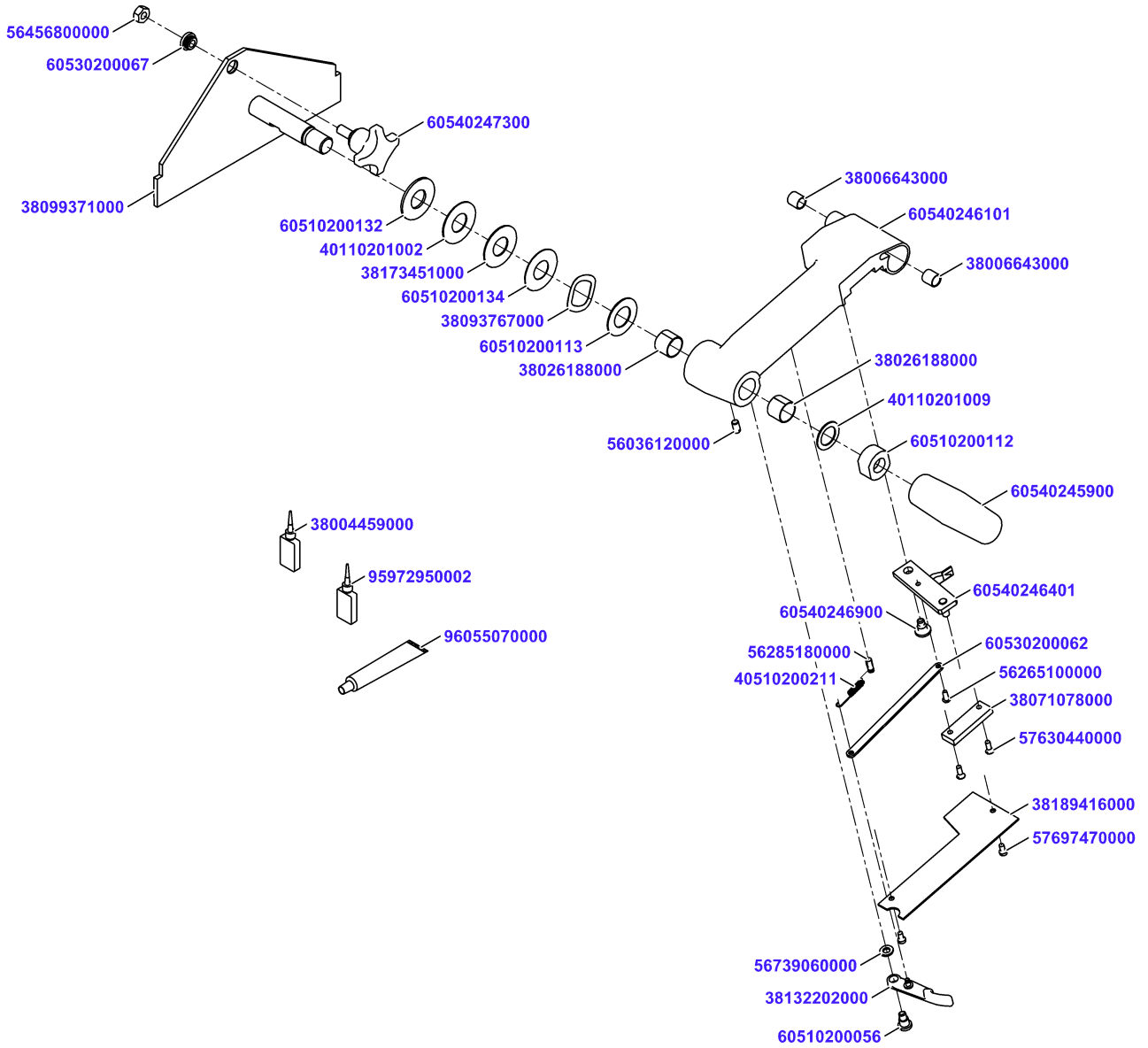


Bolt cpl

Material No.	Qty	Material description
56086260000	1	Ball knob DIN319 M6x25 I
95972950002	0,001	Loctite 243 50 ml 95972950002

available for order	Wear part	Recomm. sp. part	Metr. relevance
			
			

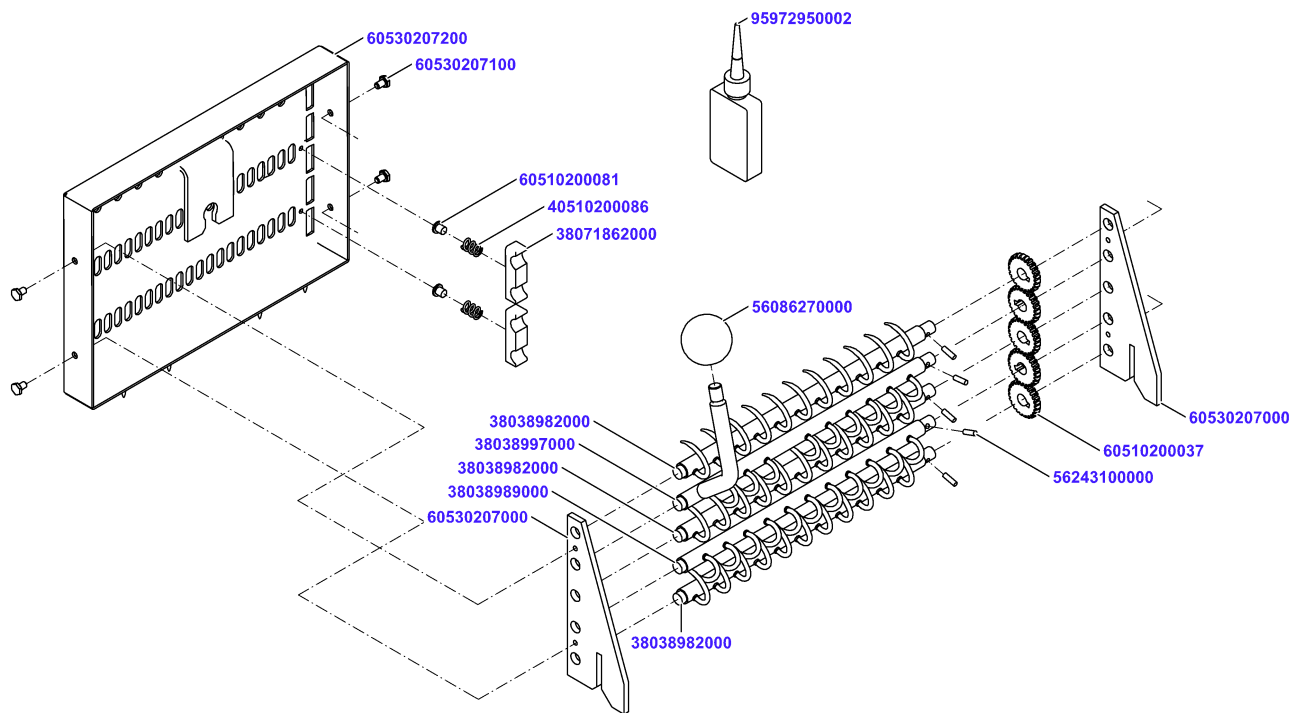
Lever compl for the Product Holder
















Lever compl for the Product Holder

Material No.	Qty	Material description	available for order	Wear part	Recomm. sp. part	Metr. relevance
38132202000	1	Lever with pin				
96055070000	0,001	Grease PARALIQ GA 343				
56739060000	1	Washer DIN125-A-6-A2				
38026188000	2	Plain bearing 18x20x15				
38006643000	2	Plain bearing 10x12x12				
56285180000	1	Grooved Pin DIN 1469-C5x14-6.8				
40510200211	1	tension spring				
60540246401	1	locking device, welded				
60530200062	1	mounting link				
56265100000	1	Round-Head Nail DIN 1476-4x10-A2-70				
60540246900	1	pan head screw				
60510200056	1	Pan head screw M6x7,1x7				
38071078000	1	bar				
57630440000	2	Countersunk screw DIN963 M4x12-A2-70				
38189416000	1	Cover plate				
57697470000	2	Cheese-Head Cylinder Screw DIN84-M4x8-A2				
38099371000	1	Bearing rail preass.				
60530200067	1	collar nut				
60540247300	1	Star knob M8x18,5				
56456800000	1	Hexagon Nut DIN 934-M8-A2-70				
60510200113	1	washer 20 (1mm)				
40110201002	1	Washer 40x18,15x1 - POM				
60510200132	1	Washer				
38173451000	1	Washer 18,1x40x1				
40110201009	1	Washer				
60510200134	1	washer 0,5mm				
60510200112	1	lock nut				
60540245900	1	Handhold 91x28 M16x1 - PA6 black				
56036120000	1	Set screw DIN551 M6x12-14H				
96055070000	0,020	Grease PARALIQ GA 343				
38004459000	0,001	Loctite 648				
95972950002	0,001	Loctite 243 50 ml 95972950002				
38093767000	1	Wave Washer 36x25,2x3				
60540246101	1	lever ass.				

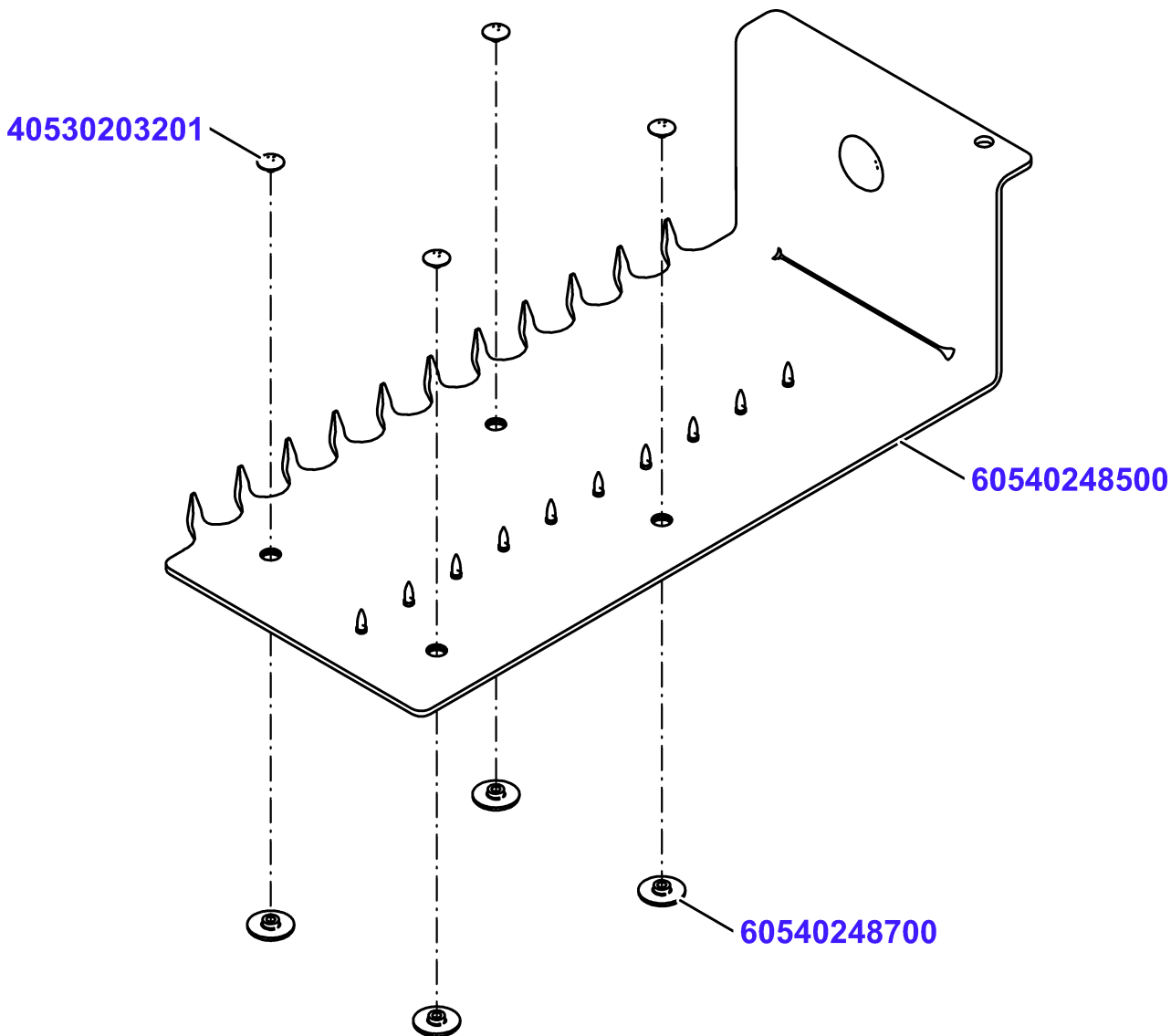
Product holder ass.






Product holder ass.

Material No.	Qty	Material description	available for order	Wear part	Recomm. sp. part	Metr. relevance
60530207200	1	Product holder housing preass.				
60510200081	2	collar stud				
60530207000	2	side frame				
38038982000	3	Gripper Shaft cpl.				
38038989000	1	Gripper Shaft cpl.				
38038997000	1	Gripper Shaft cpl.				
56086270000	1	Ball knob DIN319 M8x32 I				
56243100000	5	Cylindrical pin DIN 7-3h11x10-A2-70				
60510200037	5	Pinion				
40510200086	2	Pressure spring				
38071862000	2	brake pad				
60530207100	4	Hexagon Screw M4x6 A2-70 Hygiene				
95972950002	0,001	Loctite 243 50 ml 95972950002				

product supporting plate ass.



product supporting plate ass.

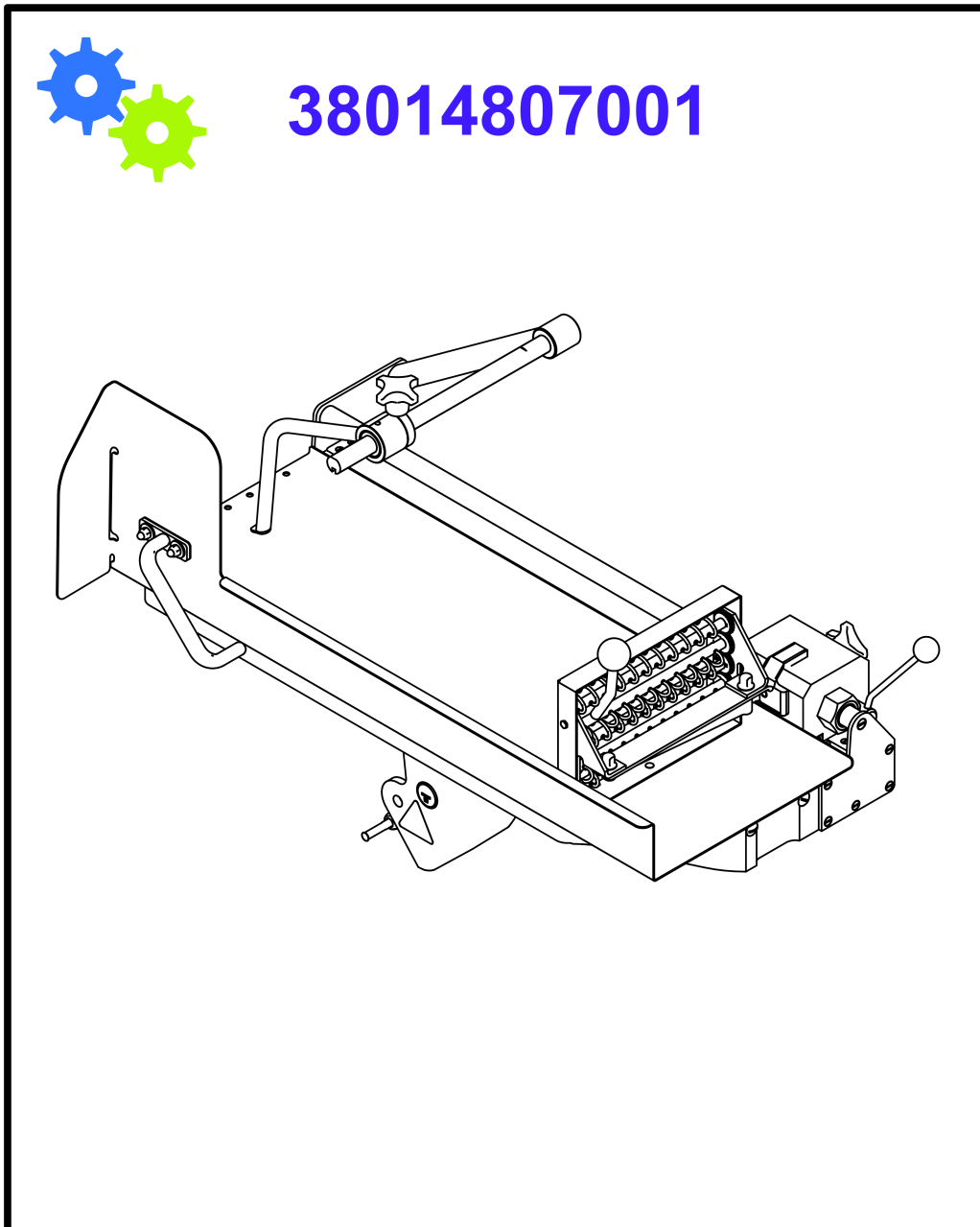
Material No.	Qty	Material description	available for order	Wear part	Recomm. sp. part	Metr. relevance
60540248500	1	product supporting plate welded				
40530203201	4	push button				
60540248700	4	glide piece				

Carriages 600

Carriages 600

Material No.	Qty	Material description	available for order	Wear part	Recomm. sp. part	Metr. relevance
...	1	Carriage stroke 240mm up to 11540649				
...	1	Carriage stroke 270mm as from 11540650				

Carriage stroke 240mm up to 11540649



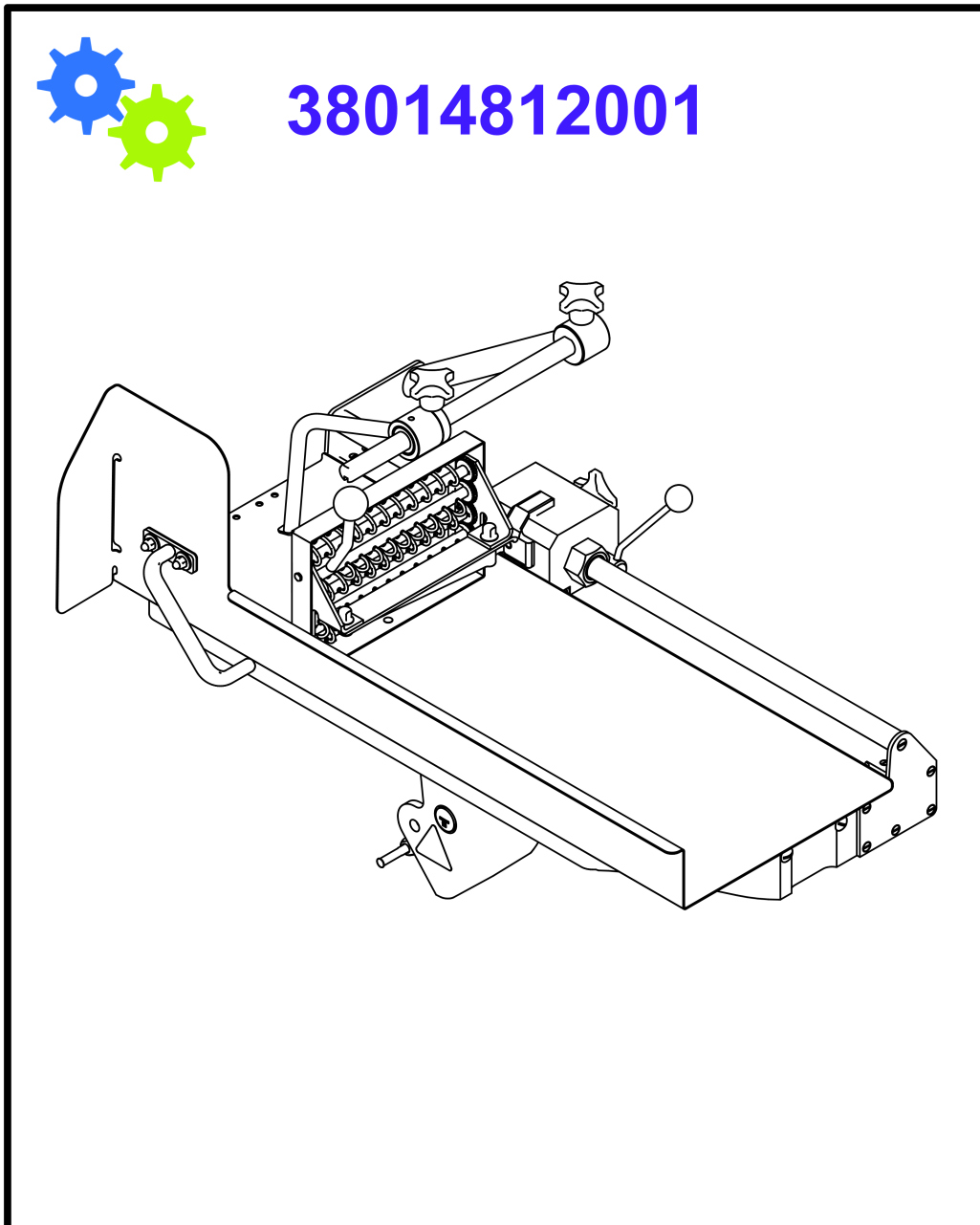
Carriage stroke 240mm up to 11540649

Material No. **Qty** **Material description**

[38014807001](#) 1 Carriage 600

available for order
Wear part
Recomm. sp. part
Metr. relevance

Carriage stroke 240mm up to 11540649



Carriage stroke 240mm up to 11540649

Material No.	Qty	Material description
--------------	-----	----------------------

38014812001	1	Carriage 600 NSF
-----------------------------	---	------------------

available for order

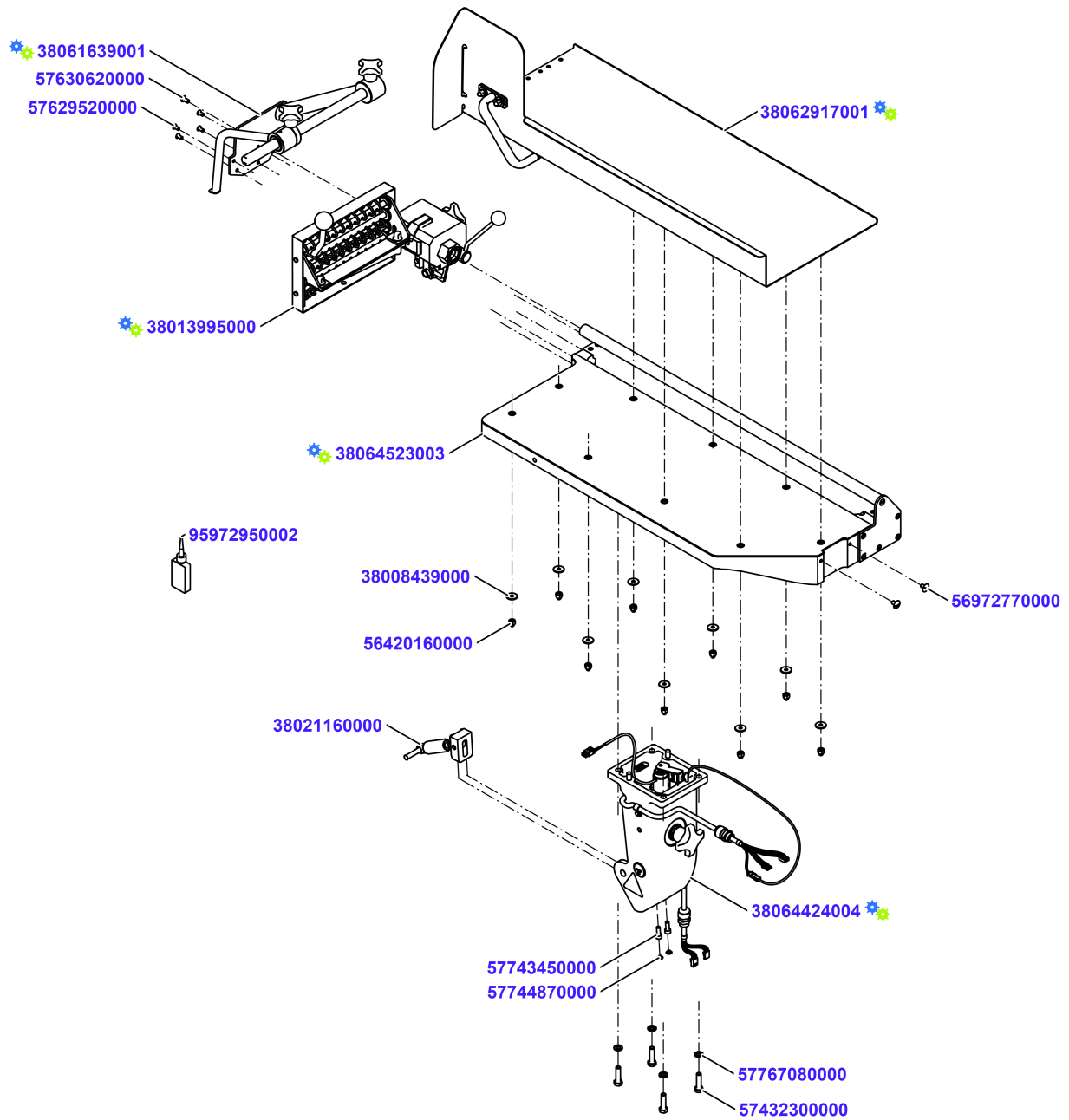
Wear part

Recomm. sp. part

Metr. relevance



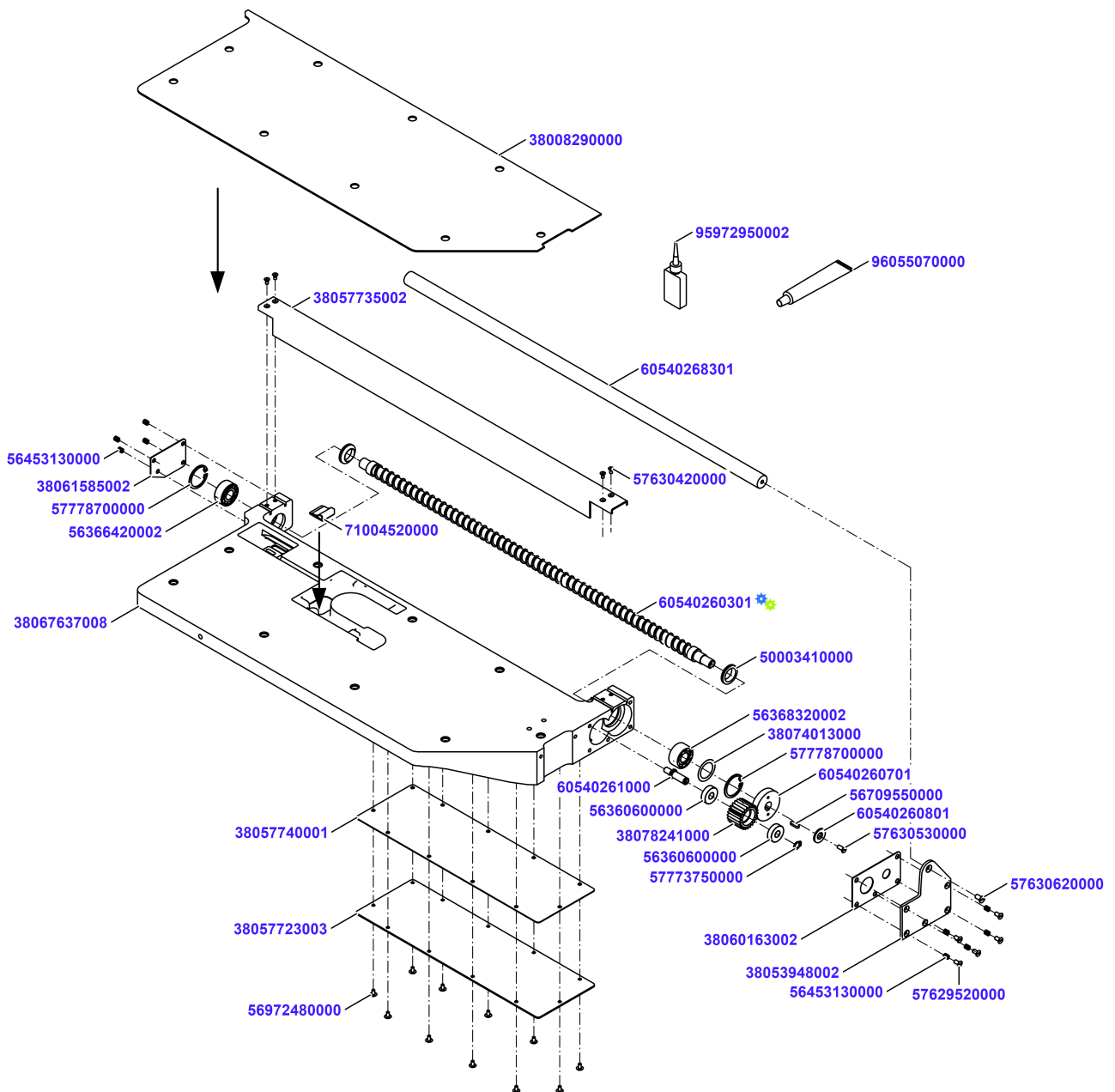
Carriage 600 NSF



Carriage 600 NSF

Material No.	Qty	Material description	available for order	Wear part	Recomm. sp. part	Metr. relevance
38064523003	1	Carriage 600 cpl.				
38062917001	1	Carriage Plate Template preass	✓			
56420160000	9	Cap nut DIN986-M6-A2	✓			
38008439000	9	Sealing washer M6	✓		✓	
56972770000	2	Mushroom head screw M6x10-A2-70	✓			
38013995000	1	Product Holder non folding NSF cpl				
38061639001	1	Product Supporter top NSF cpl				
57629520000	4	Countersunk Screw DIN 963-M5x10-A2-70	✓			
95972950002	0,001	Loctite 243 50 ml 95972950002	✓			
57630620000	1	Countersunk screw DIN963 M6x12-A2-70	✓			
38064424004	1	Carriage Foot high cpl				
57432300000	4	Hexagon screw DIN933 M8x30 A2-70	✓			
57767080000	4	Spring lock washer DIN128-A8-A2	✓			
38021160000	1	Gas Spring Carriage 600 cpl	✓		✓	
57743450000	2	Cylinder screw DIN912 M6x16-A2-70	✓			
57744870000	2	Protective plug 10x5,2x3,1-PE	✓		✓	

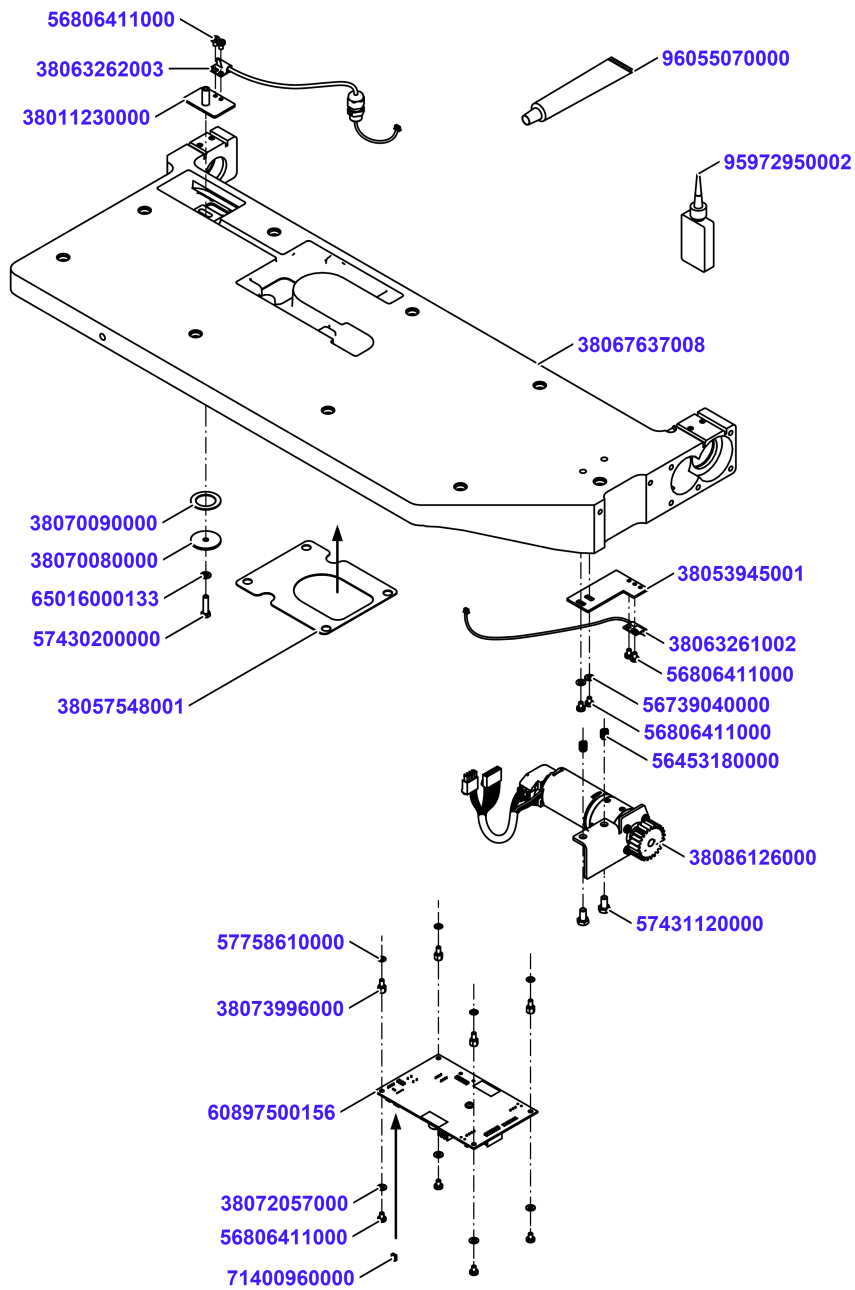
Carriage 600 cpl.



Carriage 600 cpl.

Material No.	Qty	Material description	available for order	Wear part	Recomm. sp. part	Metr. relevance
38067637008	1	Carriage 600 cast machined	✓			
56453130000	9	Thread insert M5x7,5-A2	✓			
56366420002	1	Self-Aligning Ball Bearing 2202	✓			
57778700000	1	Retaining ring DIN472-35x1,5	✓			
50003410000	1	Wiper ring 30x20x7	✓			
60540260301	1	Feed Spindle ass.	✓			
50003410000	1	Wiper ring 30x20x7	✓			
56368320002	1	Angular bearing double-row 15x35x15,9	✓			
57778700000	1	Retaining ring DIN472-35x1,5	✓			
38074013000	1	Shim ring DIN988-25x35x0,1	✓			
60540260701	1	Gear Wheel	✓			
96055070000	0,001	Grease PARALIQ GA 343	✓			
56709550000	1	Parallel key DIN6885-A 5x3x16	✓			
60540260801	1	Washer	✓			
57630530000	1	Countersunk Screw DIN963 M5x12-A2-70	✓			
95972950002	0,001	Loctite 243 50 ml 95972950002	✓			
60540261000	1	bolt	✓			
38078241000	1	Gear Wheel	✓			
56360600000	2	Grooved Ball Bearing DIN625 10x26x8	✓			
57773750000	1	Retaining Ring DIN471-10x1 57773750000	✓			
38057735002	1	Guide Rail 600er	✓			
57630420000	4	Countersunk Screw DIN963-M4x8-A2-70	✓			
71004520000	1	Flat Cabel Holder 3484-1000	✓			
38053948002	1	Flange	✓			
38060163002	1	Sealing	✓		✓	
57629520000	5	Countersunk Screw DIN 963-M5x10-A2-70	✓			
38061585002	1	sealing	✓		✓	
60540268301	1	guide shaft	✓			
57630620000	1	Countersunk screw DIN963 M6x12-A2-70	✓			
38008290000	1	Seal Carriage Plate 705x260x2	✓		✓	
38057723003	1	Cover 378x119,1x2	✓			
38057740001	1	Seal long	✓		✓	
56972480000	11	Mushroom head screw M4x8-A2-70 Tuflok	✓			

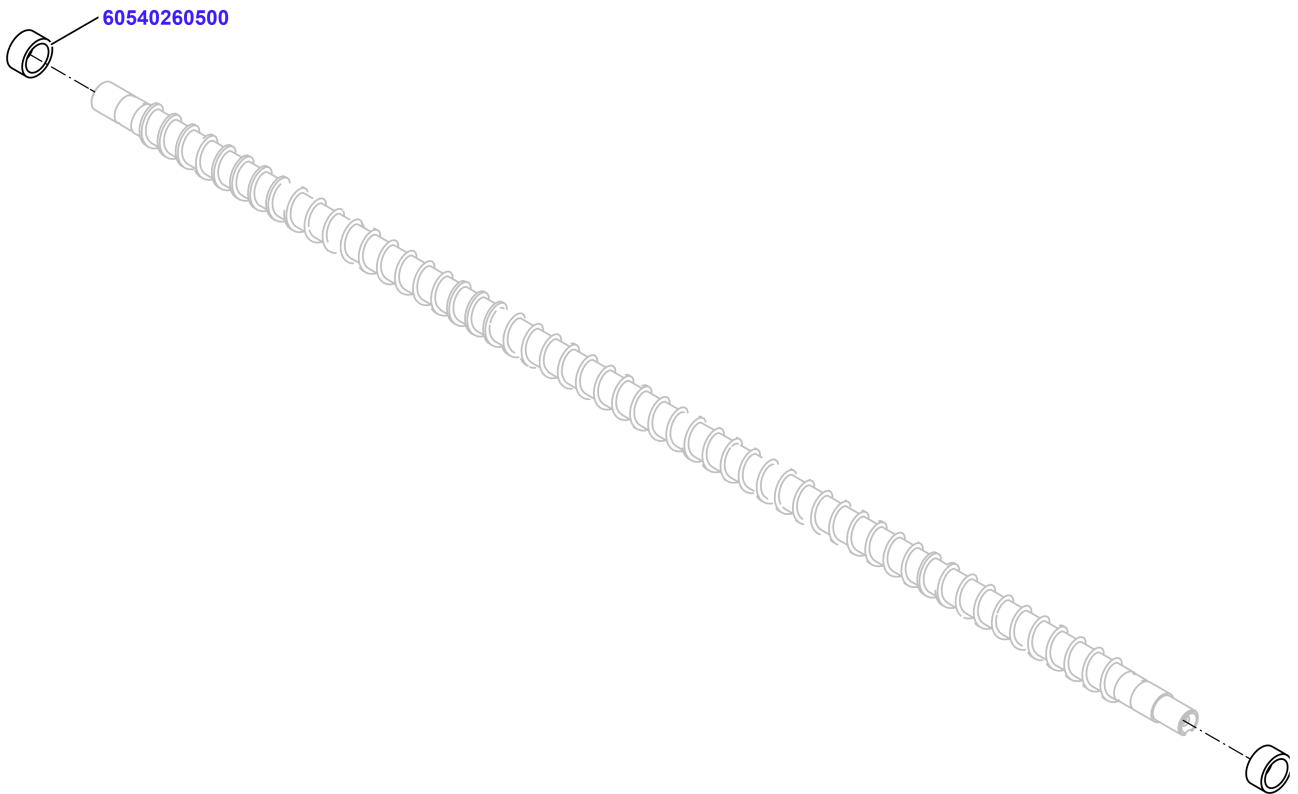
Carriage 600 cpl.



Carriage 600 cpl.


Material No.	Qty	Material description	available for order	Wear part	Recomm. sp. part	Metr. relevance
38067637008	1	Carriage 600 cast machined	✓			
56453180000	2	Threaded insert Heli-Coil D M6x9	✓			
96055070000	0,001	Grease PARALIQ GA 343	✓			
95972950002	0,001	Loctite 243 50 ml 95972950002	✓			
38053945001	1	Board	✓			
38063261002	1	Sensor product feeding 1 VSI	✓			
56806411000	4	Oval-Head Screw ISO 14583-M4x6-T20-A2-70	✓			
56739040000	2	Washer DIN 125-A 4.3-A2-70 56739040000	✓			
38011230000	1	Board cpl	✓			
38063262003	1	Sensor product feeding 2 VSI	✓			
56806411000	2	Oval-Head Screw ISO 14583-M4x6-T20-A2-70	✓			
38070080000	1	Washer	✓			
38070090000	1	Sealing	✓		✓	
57430200000	1	Hexagon Screw DIN 933-M5x20-A2-70	✓			
65016000133	1	Washer 5-PA 65016000133	✓			
38086126000	1	Motor Product Feeding BG42x15 cpl	✓			
57431120000	2	Hexagon Screw DIN 933-M6x12-A2-7	✓			
60897500156	1	Bootl.+ PCBA MC 3ph 2ch lv bus	✓			
71400960000	1	SHORT CIRCUIT BRACKET 3131 731000406	✓		✓	
57758610000	4	Toothed washer DIN6797-A 4,3-Fst	✓			
38073996000	4	Distance bolt SW7x6 M4-M4 In-Out	✓			
56806411000	4	Oval-Head Screw ISO 14583-M4x6-T20-A2-70	✓			
38072057000	4	Washer DIN 125-A 4,3-PA6 38072057000	✓			
38057548001	1	Seal	✓		✓	

Feed Spindle ass.

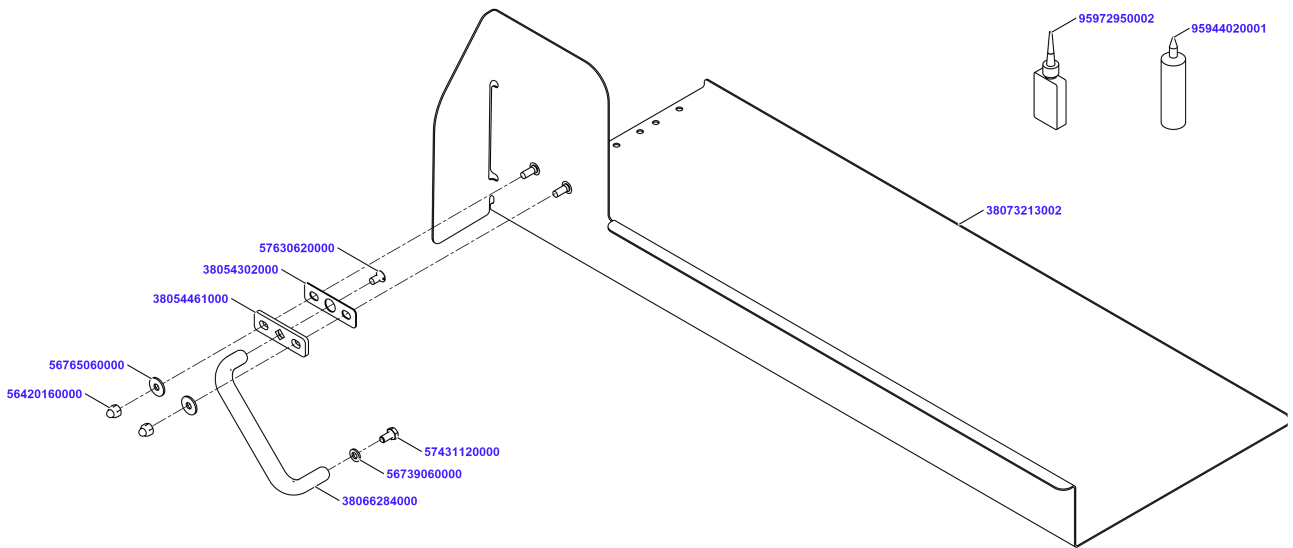


Feed Spindle ass.

Material No.	Qty	Material description
60540260500	2	ring

	available for order	Wear part	Recomm. sp. part	Metr. relevance
---	---------------------	-----------	------------------	-----------------

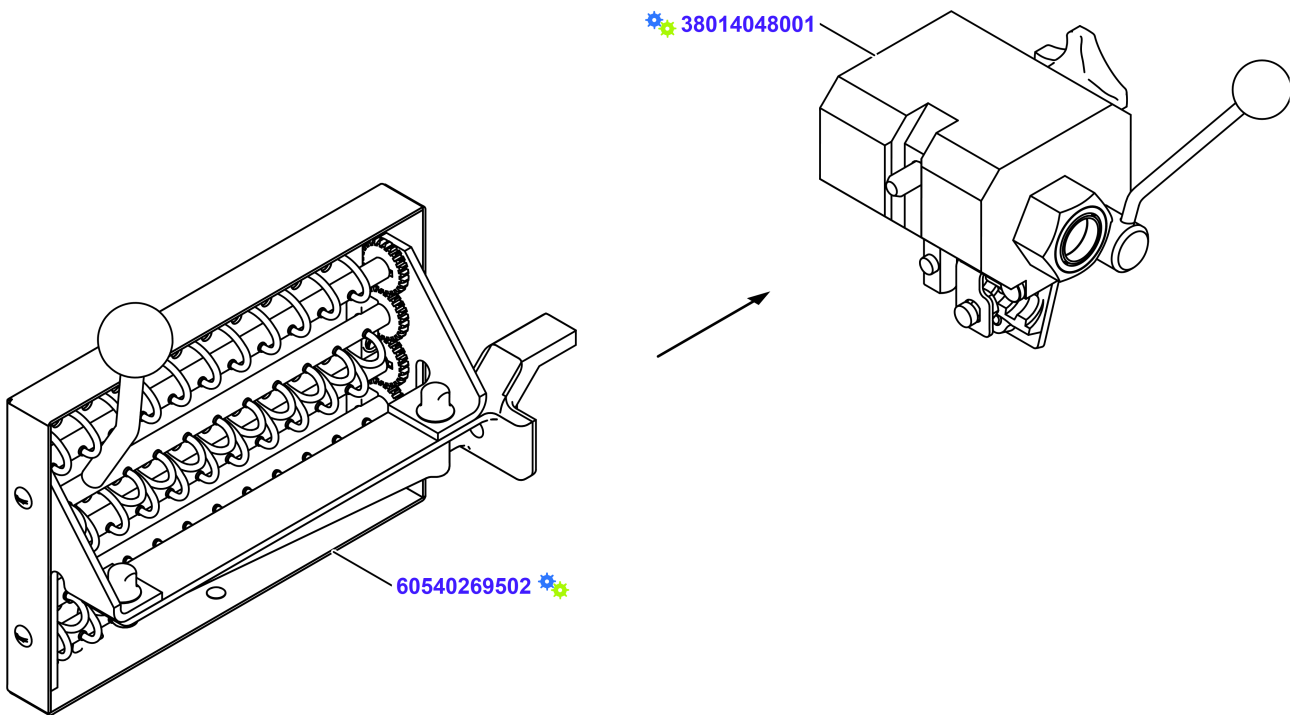
Carriage Plate Template press



Carriage Plate Template press

Material No.	Qty	Material description	available for order	Wear part	Recomm. sp. part	Metr. relevance
38073213002	1	Carriage Plate welded	✓			
38066284000	1	Handle	✓			
38054461000	1	Plate	✓			
38054302000	1	Gasket	✓		✓	
95944020001	10	Silicone Rubber Elastosil E41 90ml	✓			
57630620000	1	Countersunk screw DIN963 M6x12-A2-70	✓			
95972950002	0,001	Loctite 243 50 ml 95972950002	✓			
56420160000	2	Cap nut DIN986-M6-A2	✓			
56765060000	2	Washer DIN9021-6-A2	✓			
57431120000	1	Hexagon Screw DIN 933-M6x12-A2-7	✓			
56739060000	1	Washer DIN125-A-6-A2	✓			

Product Holder non folding NSF cpl

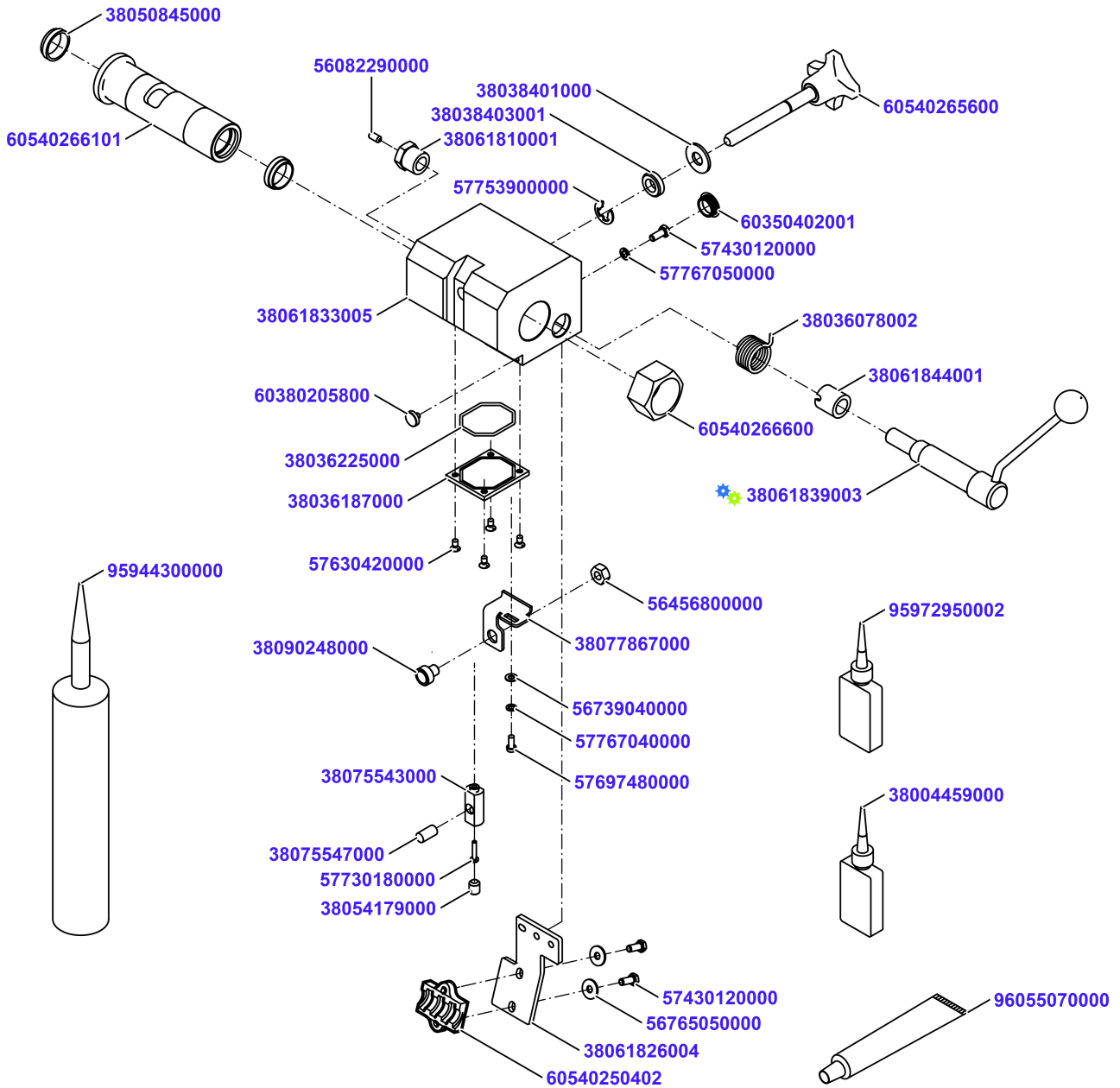


Product Holder non folding NSF cpl

Material No.	Qty	Material description
38014048001	1	Product Holder Guide NSF cpl
60540269502	1	Product holder ass.

available for order
Wear part
Recomm. sp. part
Metr. relevance

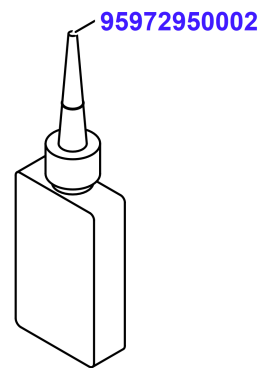
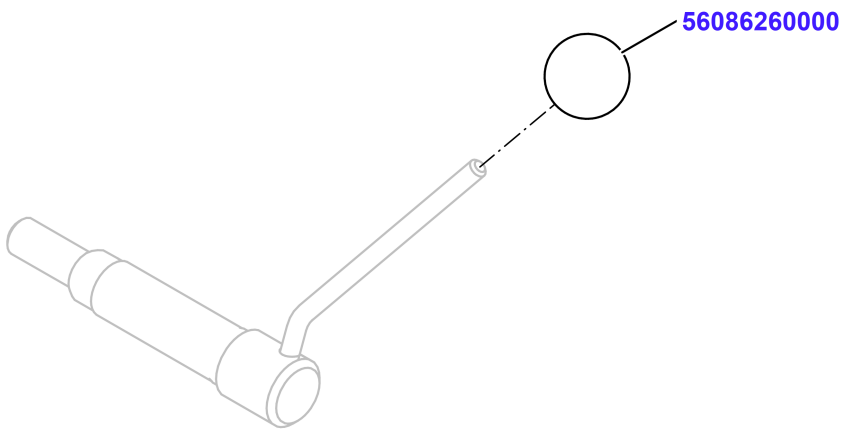
Product Holder Guide NSF cpl



Product Holder Guide NSF cpl

Material No.	Qty	Material description	available for order	Wear part	Recomm. sp. part	Metr. relevance
38061833005	1	Product Holder Guide	✓			
60540265600	1	locking lever mount.	✓			
38038401000	1	washer	✓			
38038403001	1	Bushing 19,1x10,7x5	✓			
57753900000	1	Retaining Washer DIN6799-9 57753900000	✓			
60540266101	1	Bushing complete	✓	✓	✓	
38050845000	2	Deflector Ring	✓			
60540266600	1	hex nut	✓			
38061839003	1	Bolt NSF cpl	✓			
38061844001	1	Sleeve	✓			
38036078002	1	torsion spring left	✓			
96055070000	0,005	Grease PARALIQ GA 343	✓			
38061810001	1	Screw Nut	✓			
38004459000	0,001	Loctite 648	✓			
56082290000	1	Set screw DIN438 M5x10-A2-70	✓			
95972950002	0,001	Loctite 243 50 ml 95972950002	✓			
38061826004	1	Holder	✓			
60540250402	1	Nut Plate	✓	✓	✓	
56765050000	2	Washer DIN 9021-5_3-A2-70 56765050000	✓			
57767050000	1	Spring lock washer DIN128-A5-FSt	✓			
57430120000	3	Hexagon Screw DIN 933-M5x12-A2-70	✓			
60350402001	1	Protective plug	✓			
95944300000	1	Kitchen silicone ELASTO4710	✓			
38036187000	1	cover	✓			
38036225000	1	seal	✓		✓	
57630420000	4	Countersunk Screw DIN963-M4x8-A2-70	✓			
38077867000	1	Magnet Base	✓			
38090248000	1	Magnet Vacodym 370 wz round 10x4 preass	✓		✓	
56456800000	1	Hexagon Nut DIN 934-M8-A2-70	✓			
57697480000	1	Cylinder screw DIN84 M4x10-A2-70	✓			
56739040000	1	Washer DIN 125-A 4.3-A2-70 56739040000	✓			
57767040000	1	Spring lock washer DIN128-A4-FSt	✓			
38075543000	1	Mounting Pin	✓			
57730180000	1	Oval-head screw ISO14583 M3x16-A2-70-T10	✓			
38075547000	1	Parallel Pin 8x15	✓			
38054179000	1	Set screw DIN438 M8x10-A2-70	✓			
60380205800	1	SLIDE PIN	✓			

Bolt NSF cpl

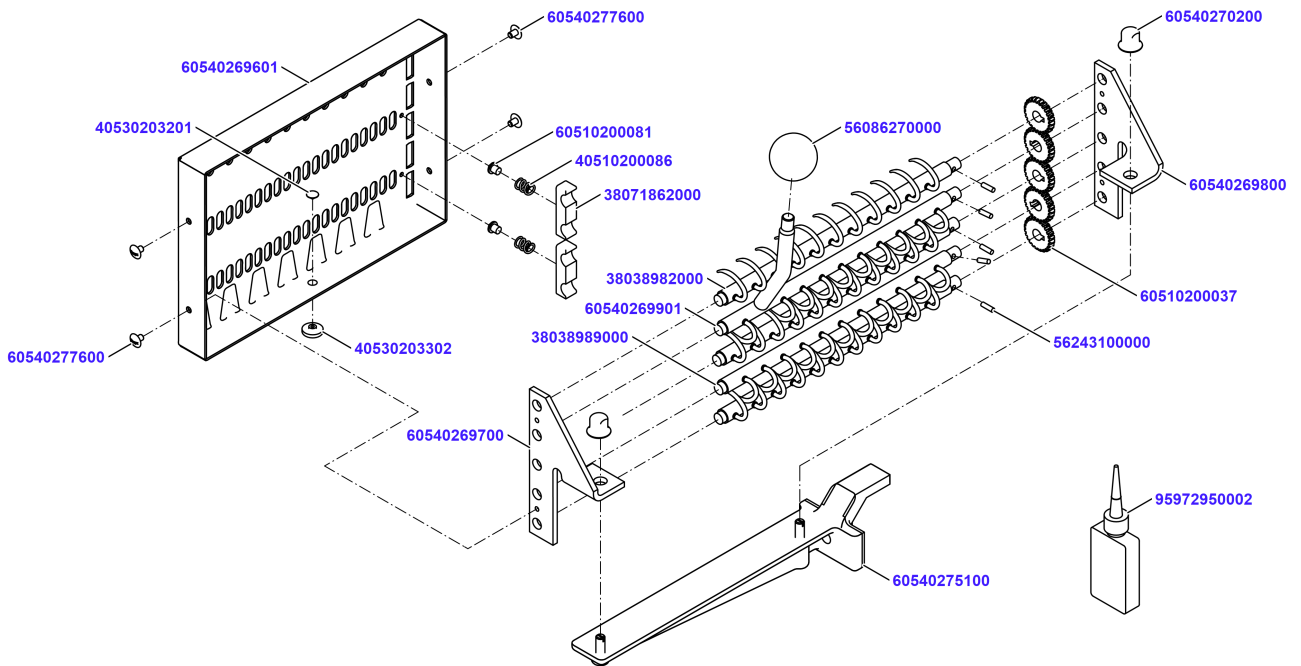


Bolt NSF cpl

Material No.	Qty	Material description
56086260000	1	Ball knob DIN319 M6x25 I
95972950002	0,001	Loctite 243 50 ml 95972950002

available for order
Wear part
Recomm. sp. part
Metr. relevance

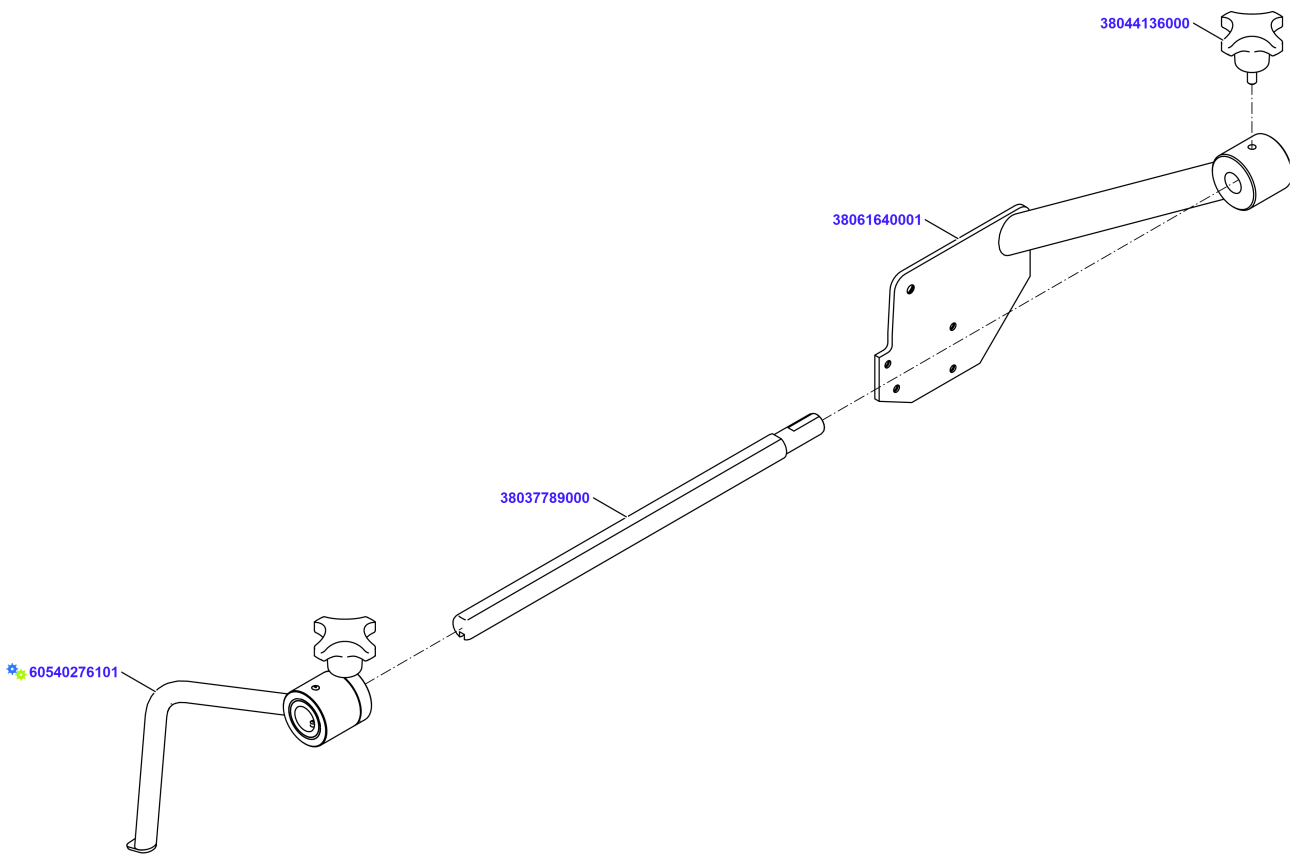
Product holder ass.



Product holder ass.

Material No.	Qty	Material description	available for order	Wear part	Recomm. sp. part	Metr. relevance
60540269601	1	product holder	✓			
60510200081	2	collar stud	✓			
60540269700	1	Side frame left	✓			
60540269800	1	Side frame right	✓			
38038982000	3	Gripper Shaft cpl.	✓			
38038989000	1	Gripper Shaft cpl.	✓			
60540269901	1	Gripper Shaft cpl	✓			
56086270000	1	Ball knob DIN319 M8x32 I	✓			
56243100000	5	Cylindrical pin DIN 7-3h11x10-A2-70	✓			
60510200037	5	Pinion	✓			
40510200086	2	Pressure spring	✓			
38071862000	2	brake pad	✓			
60540277600	4	self-tapping screw	✓			
60540275100	1	Holder preass.	✓			
60540270200	2	cap nut	✓		✓	
95972950002	0,001	Loctite 243 50 ml 95972950002	✓			
40530203201	1	push button	✓			
40530203302	1	sliding piece	✓		✓	

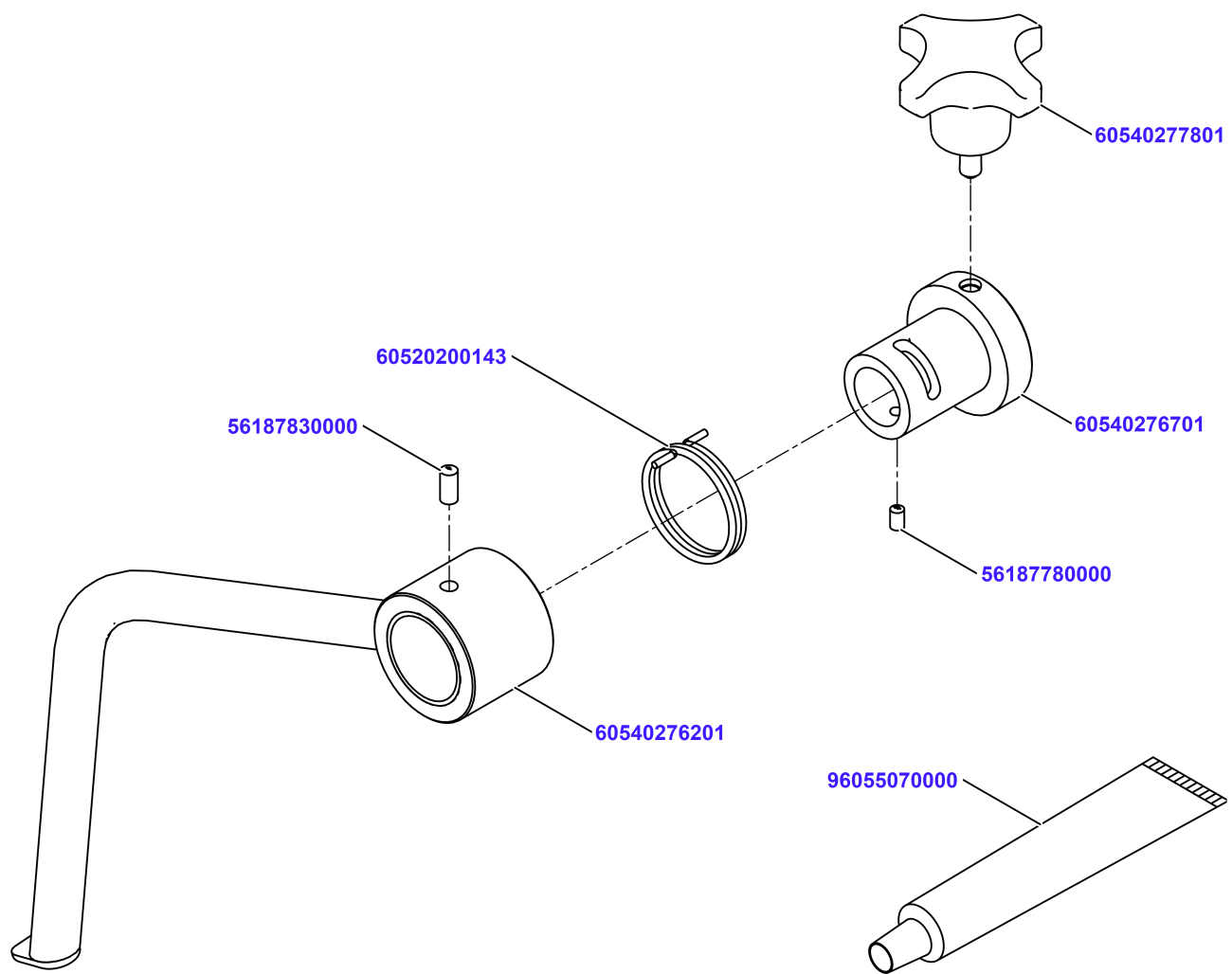
Product Supporter top NSF cpl








Product Supporter top NSF cpl

Material No.	Qty	Material description	available for order	Wear part	Recomm. sp. part	Metr. relevance
38061640001	1	Mounting welded	✓			
38037789000	1	shaft	✓			
60540276101	1	HOULDING DOWN DEVICE ASS.	✓			
38044136000	1	LOCKING SCREW	✓			

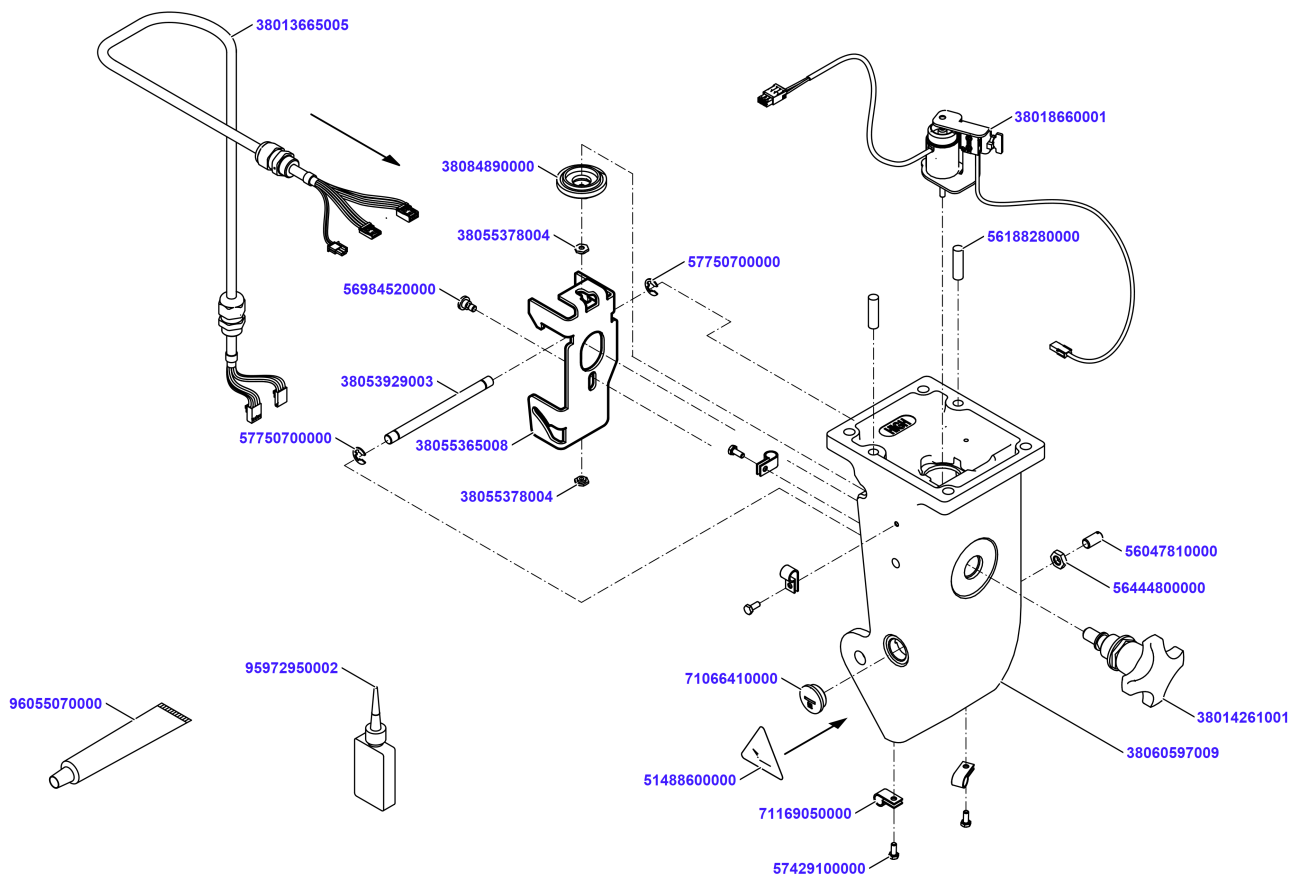
HOULDING DOWN DEVICE ASS.



HOULDING DOWN DEVICE ASS.

Material No.	Qty	Material description	available for order	Wear part	Recomm. sp. part	Metr. relevance
60540276201	1	Holding Down Device preass.				
60540276701	1	hub				
60540277801	1	LOCKING SCREW				
60520200143	1	torsion spring				
56187830000	1	Cylindrical pin EN 22338-5m6x10-A2				
96055070000	0,005	Grease PARALIQ GA 343				
56187780000	1	Cylindrical pin EN 22338-4m6x6-A2				

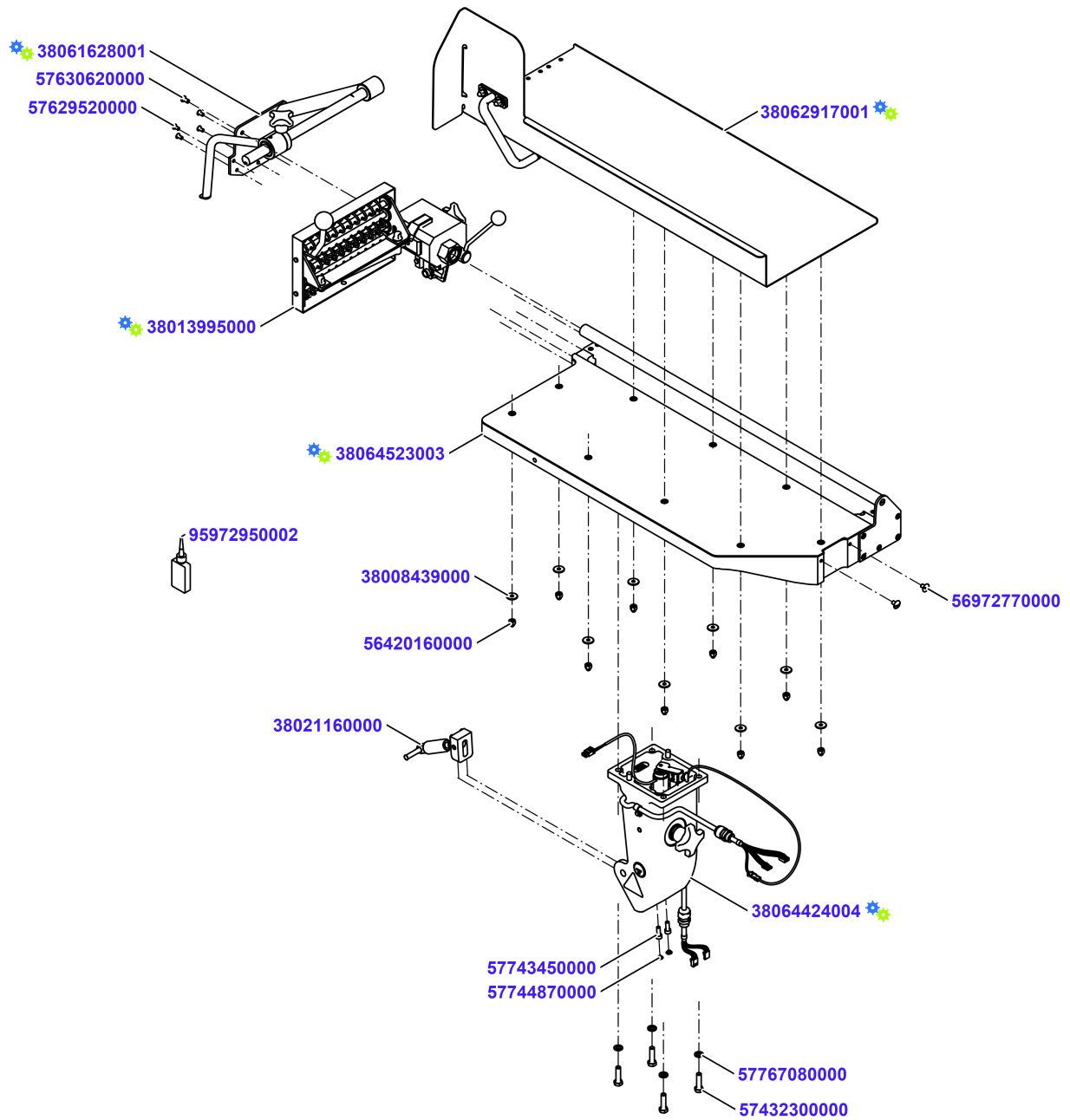
Carriage Foot high cpl



Carriage Foot high cpl

Material No.	Qty	Material description	available for order	Wear part	Recomm. sp. part	Metr. relevance
38060597009	1	Carriage Foot high mach				
56188280000	2	Cylindrical pin EN 22338-8m6x28-A2				
56047810000	1	Set screw DIN551 M8x16-PA 66				
56444800000	1	Hexagon nut DIN439-M8-A2				
38018660001	1	Magnet preass				
38084890000	1	Cap preass				
38055378004	2	Hexagon nut				
95972950002	0,001	Loctite 243 50 ml 95972950002				
38055365008	1	Interlock				
96055070000	0,001	Grease PARALIQ GA 343				
56984520000	1	Pan head screw DIN923 M5x4A2-70				
71066410000	1	Plug Round M20x1.5				
38014261001	1	Handle preass				
38053929003	1	Stop Bolt				
57750700000	2	Retaining washer DIN6799-7				
71169050000	4	Cable Clamp nylon 7,4mm NK-5N				
38013665005	1	Ka Rd 12x24AWG 0,87m				
57429100000	4	Hexagon Screw DIN933 M4x10 A2-70				
51488600000	1	Warning Plate Hand Injury 7.29K				

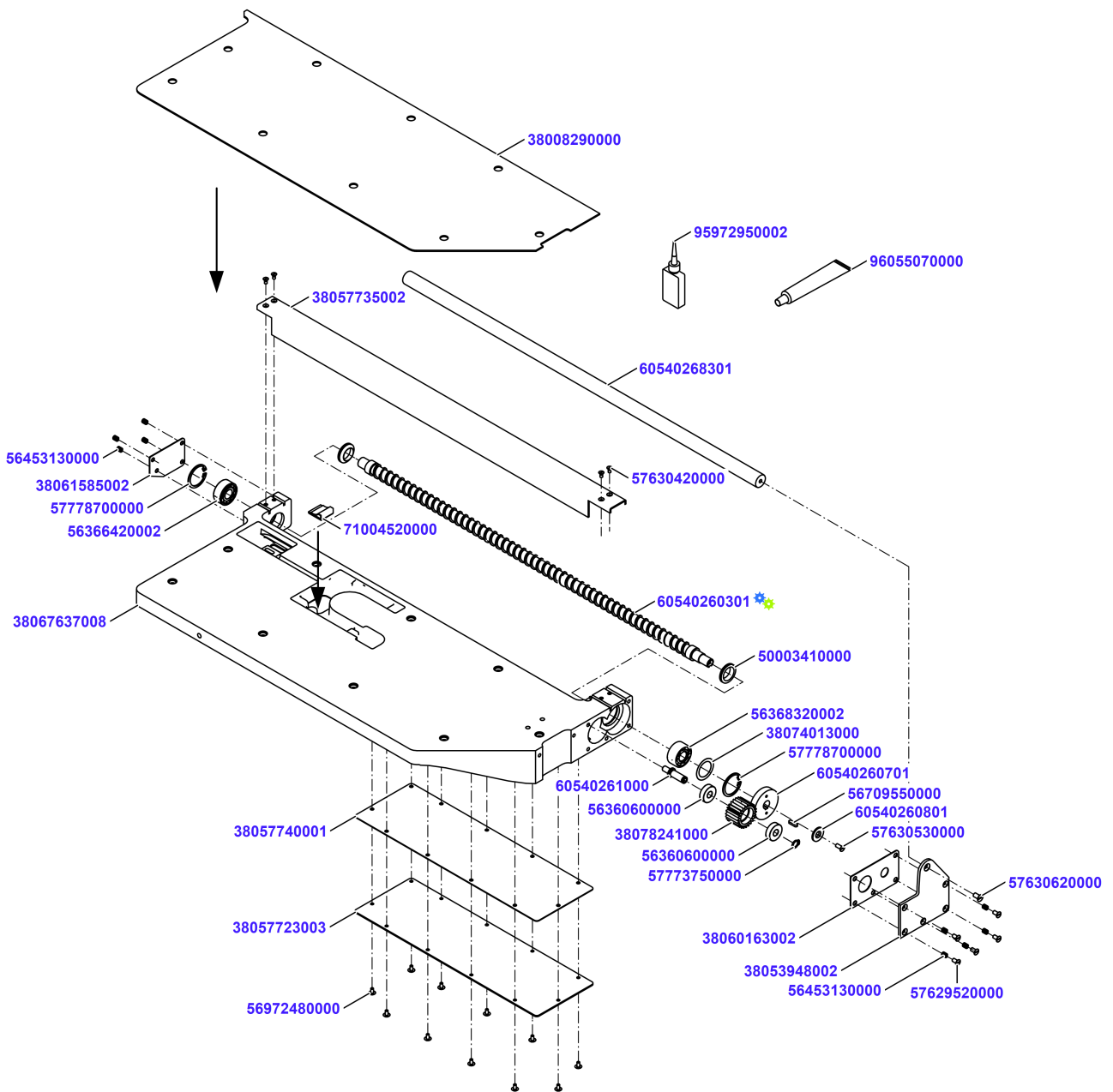
Carriage 600



Carriage 600

Material No.	Qty	Material description	available for order	Wear part	Recomm. sp. part	Metr. relevance
38064523003	1	Carriage 600 cpl.				
38062917001	1	Carriage Plate Template preass	✓			
56420160000	9	Cap nut DIN986-M6-A2	✓			
38008439000	9	Sealing washer M6	✓		✓	
56972770000	2	Mushroom head screw M6x10-A2-70	✓			
38013995000	1	Product Holder non folding NSF cpl				
38061628001	1	Product Supporter top cpl				
57629520000	4	Countersunk Screw DIN 963-M5x10-A2-70	✓			
95972950002	0,001	Loctite 243 50 ml 95972950002	✓			
57630620000	1	Countersunk screw DIN963 M6x12-A2-70	✓			
38064424004	1	Carriage Foot high cpl				
57432300000	4	Hexagon screw DIN933 M8x30 A2-70	✓			
57767080000	4	Spring lock washer DIN128-A8-A2	✓			
38021160000	1	Gas Spring Carriage 600 cpl	✓		✓	
57743450000	2	Cylinder screw DIN912 M6x16-A2-70	✓			
57744870000	2	Protective plug 10x5,2x3,1-PE	✓		✓	

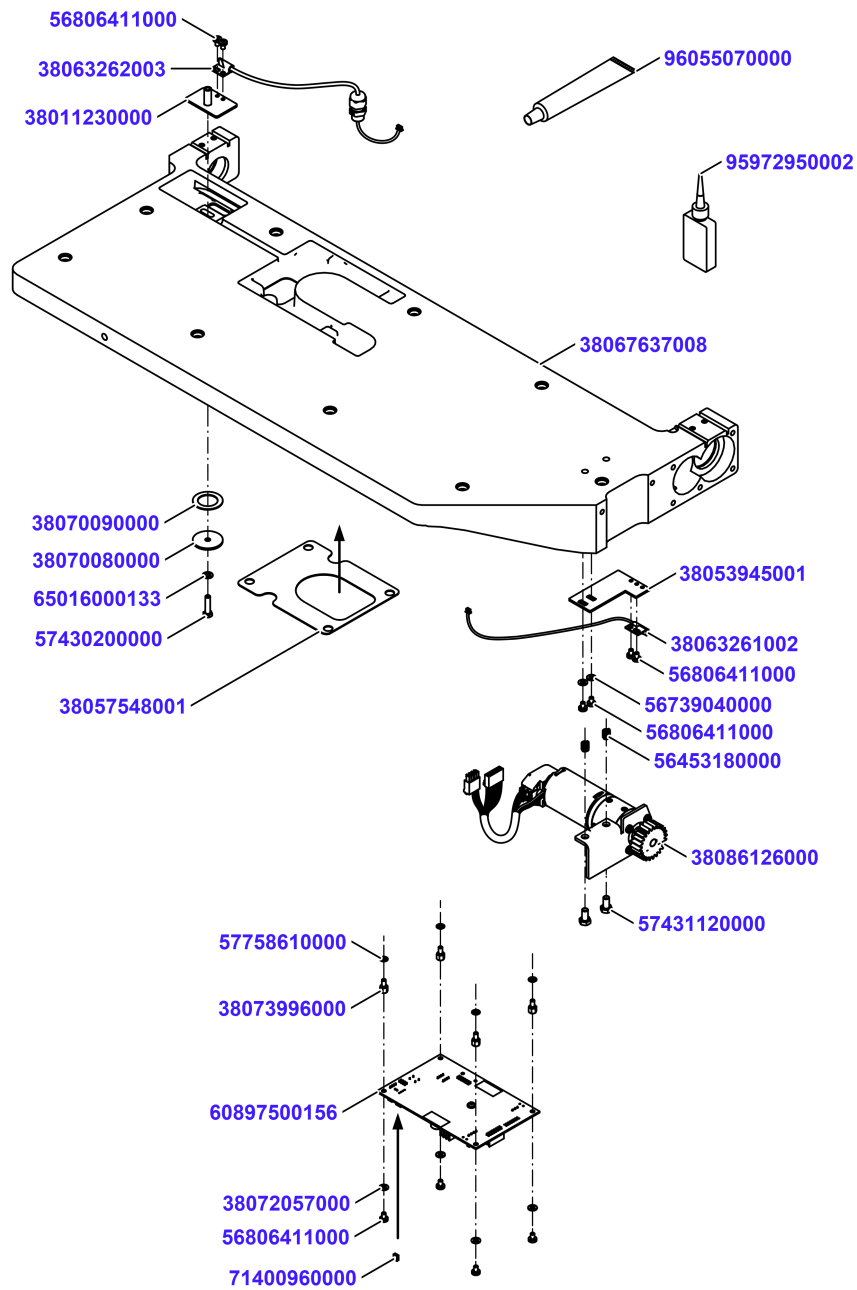
Carriage 600 cpl.



Carriage 600 cpl.

Material No.	Qty	Material description	available for order	Wear part	Recomm. sp. part	Metr. relevance
38067637008	1	Carriage 600 cast machined	✓			
56453130000	9	Thread insert M5x7,5-A2	✓			
56366420002	1	Self-Aligning Ball Bearing 2202	✓			
57778700000	1	Retaining ring DIN472-35x1,5	✓			
50003410000	1	Wiper ring 30x20x7	✓			
60540260301	1	Feed Spindle ass.	✓			
50003410000	1	Wiper ring 30x20x7	✓			
56368320002	1	Angular bearing double-row 15x35x15,9	✓			
57778700000	1	Retaining ring DIN472-35x1,5	✓			
38074013000	1	Shim ring DIN988-25x35x0,1	✓			
60540260701	1	Gear Wheel	✓			
96055070000	0,001	Grease PARALIQ GA 343	✓			
56709550000	1	Parallel key DIN6885-A 5x3x16	✓			
60540260801	1	Washer	✓			
57630530000	1	Countersunk Screw DIN963 M5x12-A2-70	✓			
95972950002	0,001	Loctite 243 50 ml 95972950002	✓			
60540261000	1	bolt	✓			
38078241000	1	Gear Wheel	✓			
56360600000	2	Grooved Ball Bearing DIN625 10x26x8	✓			
57773750000	1	Retaining Ring DIN471-10x1 57773750000	✓			
38057735002	1	Guide Rail 600er	✓			
57630420000	4	Countersunk Screw DIN963-M4x8-A2-70	✓			
71004520000	1	Flat Cabel Holder 3484-1000	✓			
38053948002	1	Flange	✓			
38060163002	1	Sealing	✓		✓	
57629520000	5	Countersunk Screw DIN 963-M5x10-A2-70	✓			
38061585002	1	sealing	✓		✓	
60540268301	1	guide shaft	✓			
57630620000	1	Countersunk screw DIN963 M6x12-A2-70	✓			
38008290000	1	Seal Carriage Plate 705x260x2	✓		✓	
38057723003	1	Cover 378x119,1x2	✓			
38057740001	1	Seal long	✓		✓	
56972480000	11	Mushroom head screw M4x8-A2-70 Tuflok	✓			

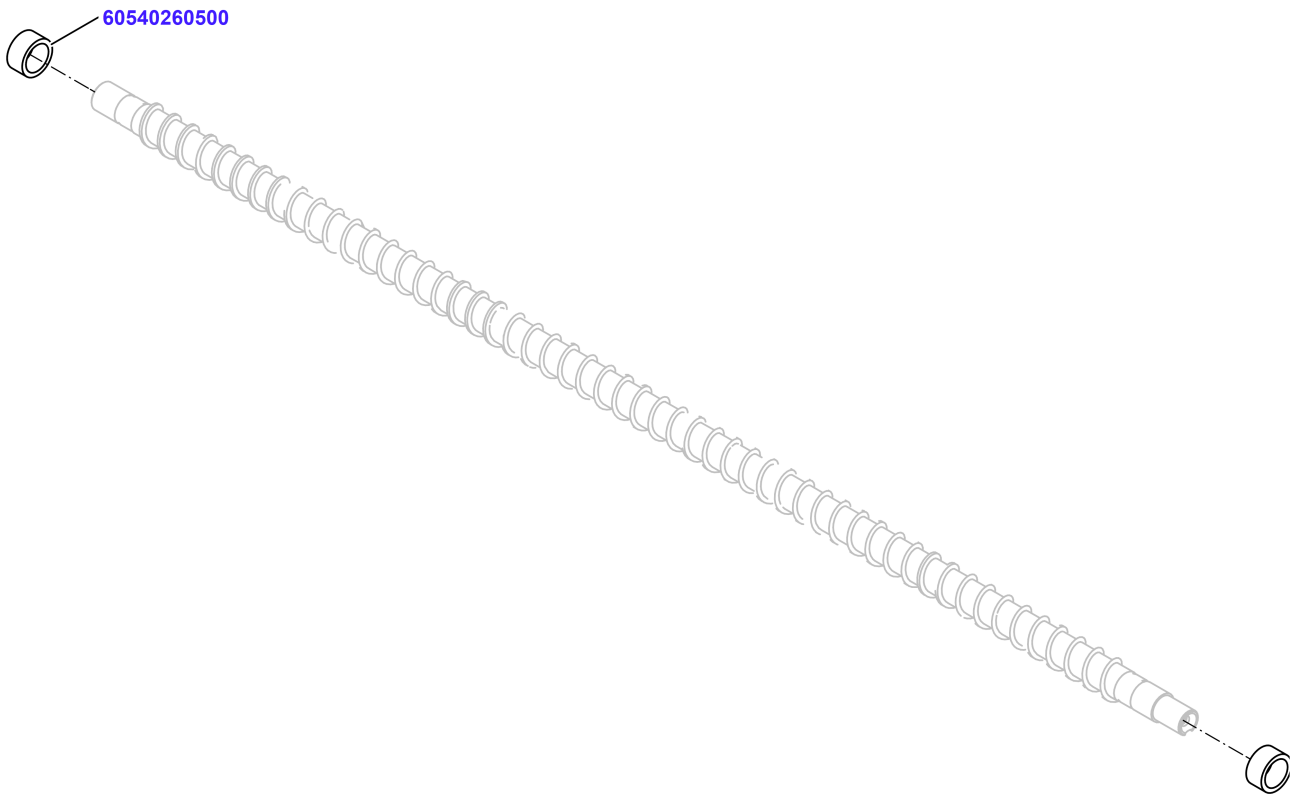
Carriage 600 cpl.



Carriage 600 cpl.


Material No.	Qty	Material description	available for order	Wear part	Recomm. sp. part	Metr. relevance
38067637008	1	Carriage 600 cast machined	✓			
56453180000	2	Threaded insert Heli-Coil D M6x9	✓			
96055070000	0,001	Grease PARALIQ GA 343	✓			
95972950002	0,001	Loctite 243 50 ml 95972950002	✓			
38053945001	1	Board	✓			
38063261002	1	Sensor product feeding 1 VSI	✓			
56806411000	4	Oval-Head Screw ISO 14583-M4x6-T20-A2-70	✓			
56739040000	2	Washer DIN 125-A 4.3-A2-70 56739040000	✓			
38011230000	1	Board cpl	✓			
38063262003	1	Sensor product feeding 2 VSI	✓			
56806411000	2	Oval-Head Screw ISO 14583-M4x6-T20-A2-70	✓			
38070080000	1	Washer	✓			
38070090000	1	Sealing	✓		✓	
57430200000	1	Hexagon Screw DIN 933-M5x20-A2-70	✓			
65016000133	1	Washer 5-PA 65016000133	✓			
38086126000	1	Motor Product Feeding BG42x15 cpl	✓			
57431120000	2	Hexagon Screw DIN 933-M6x12-A2-7	✓			
60897500156	1	Bootl.+ PCBA MC 3ph 2ch lv bus	✓			
71400960000	1	SHORT CIRCUIT BRACKET 3131 731000406	✓		✓	
57758610000	4	Toothed washer DIN6797-A 4,3-Fst	✓			
38073996000	4	Distance bolt SW7x6 M4-M4 In-Out	✓			
56806411000	4	Oval-Head Screw ISO 14583-M4x6-T20-A2-70	✓			
38072057000	4	Washer DIN 125-A 4,3-PA6 38072057000	✓			
38057548001	1	Seal	✓		✓	

Feed Spindle ass.

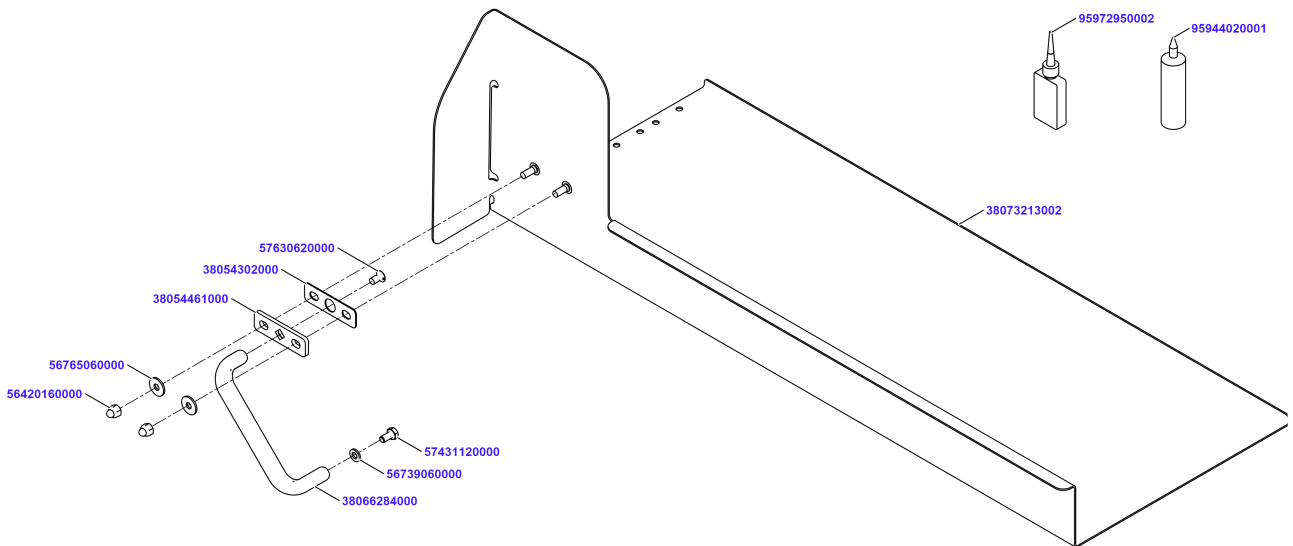


Feed Spindle ass.

Material No.	Qty	Material description
60540260500	2	ring

	available for order	Wear part	Recomm. sp. part	Metr. relevance
---	---------------------	-----------	------------------	-----------------

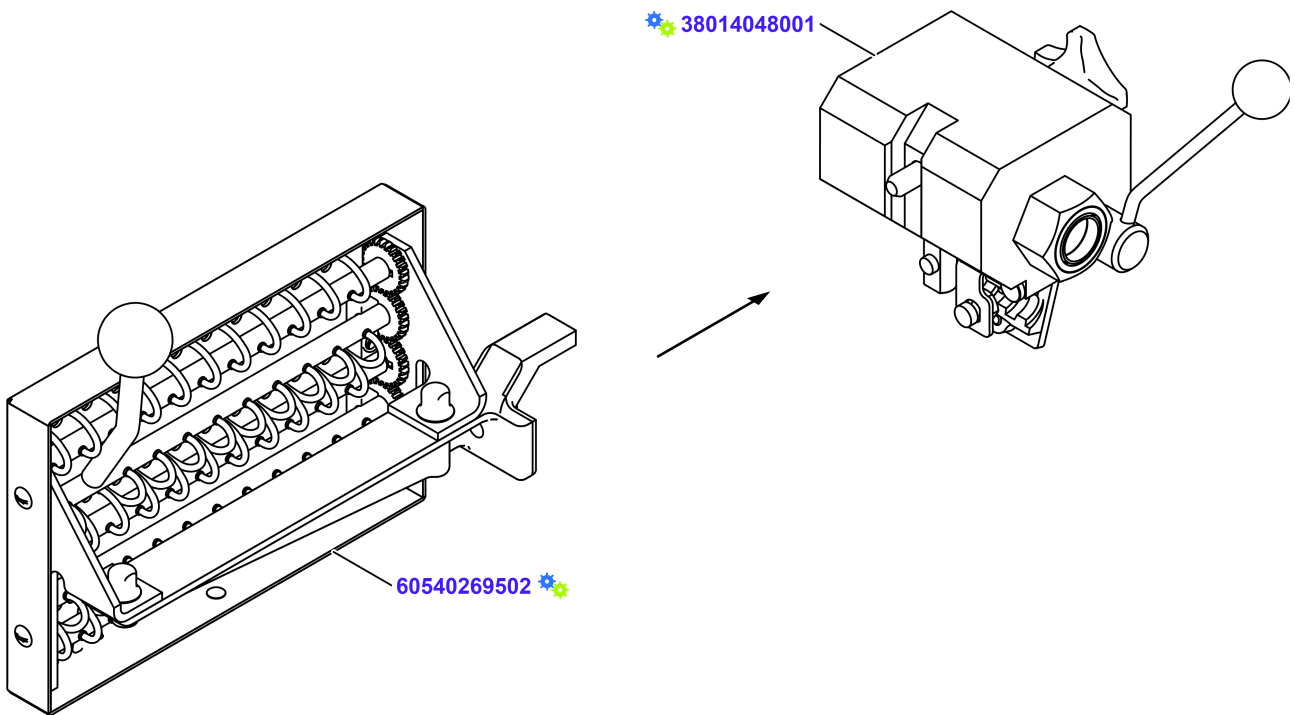
Carriage Plate Template preass



Carriage Plate Template press

Material No.	Qty	Material description	available for order	Wear part	Recomm. sp. part	Metr. relevance
38073213002	1	Carriage Plate welded	✓			
38066284000	1	Handle	✓			
38054461000	1	Plate	✓			
38054302000	1	Gasket	✓		✓	
95944020001	10	Silicone Rubber Elastosil E41 90ml	✓			
57630620000	1	Countersunk screw DIN963 M6x12-A2-70	✓			
95972950002	0,001	Loctite 243 50 ml 95972950002	✓			
56420160000	2	Cap nut DIN986-M6-A2	✓			
56765060000	2	Washer DIN9021-6-A2	✓			
57431120000	1	Hexagon Screw DIN 933-M6x12-A2-7	✓			
56739060000	1	Washer DIN125-A-6-A2	✓			

Product Holder non folding NSF cpl

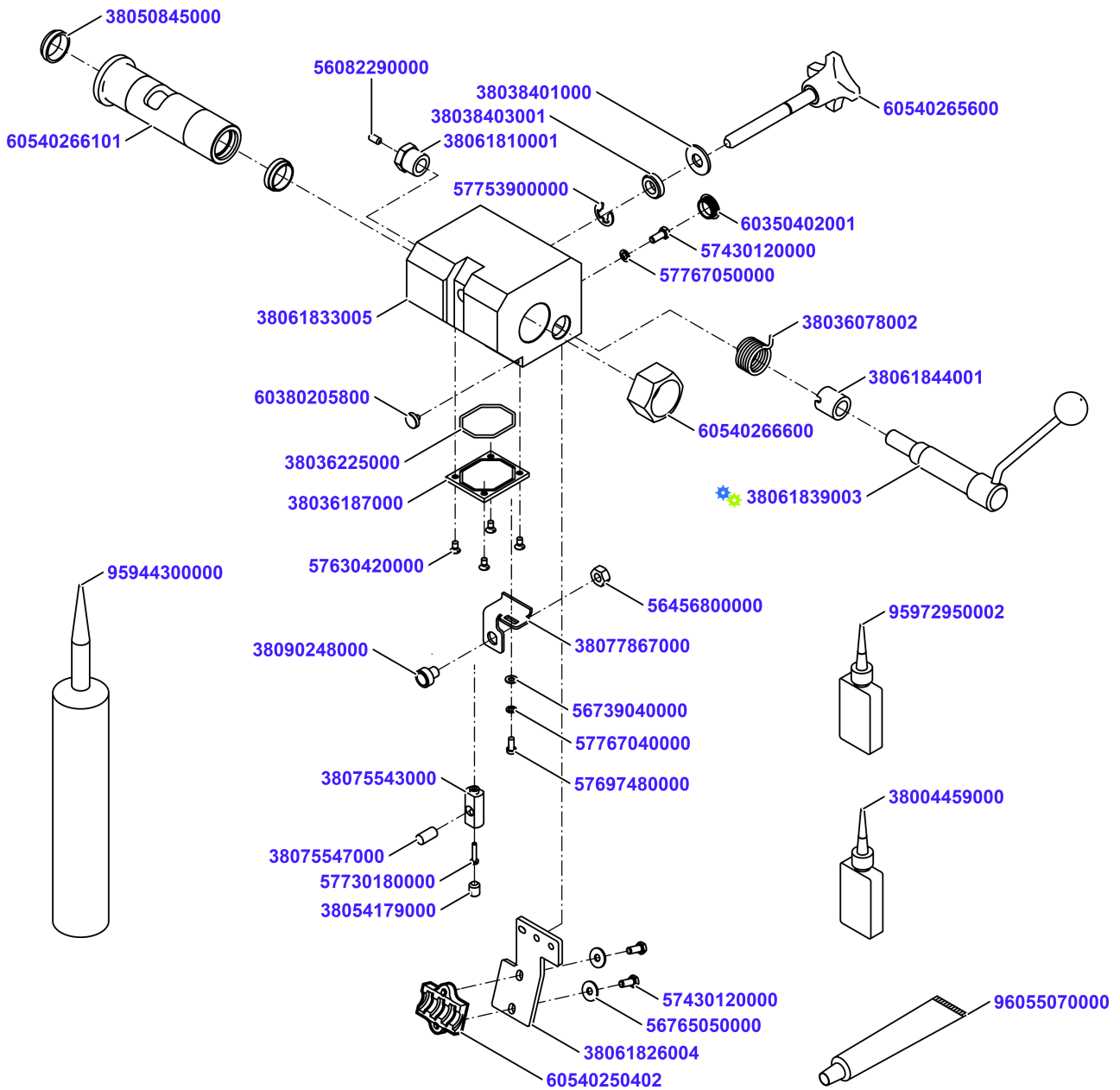


Product Holder non folding NSF cpl

Material No.	Qty	Material description
38014048001	1	Product Holder Guide NSF cpl
60540269502	1	Product holder ass.

available for order
Wear part
Recomm. sp. part
Metr. relevance

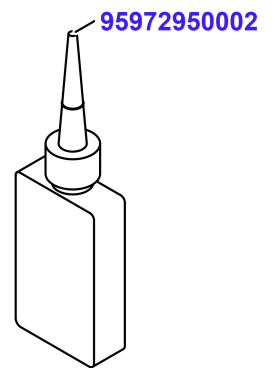
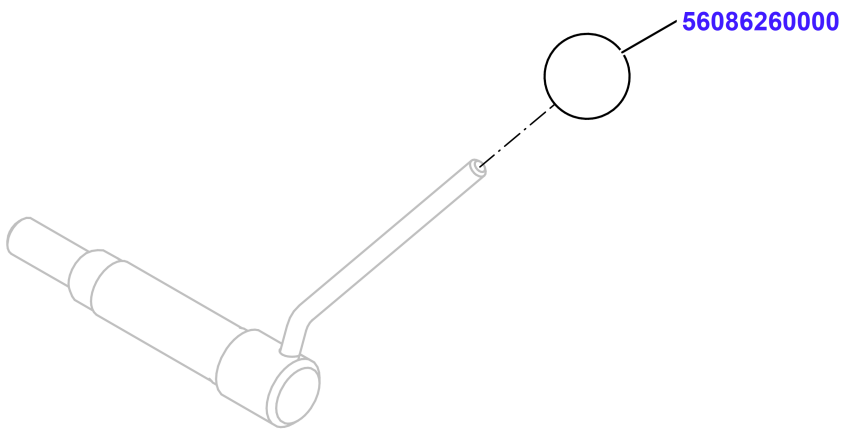
Product Holder Guide NSF cpl



Product Holder Guide NSF cpl

Material No.	Qty	Material description	available for order	Wear part	Recomm. sp. part	Metr. relevance
38061833005	1	Product Holder Guide	✓			
60540265600	1	locking lever mount.	✓			
38038401000	1	washer	✓			
38038403001	1	Bushing 19,1x10,7x5	✓			
57753900000	1	Retaining Washer DIN6799-9 57753900000	✓			
60540266101	1	Bushing complete	✓	✓	✓	
38050845000	2	Deflector Ring	✓			
60540266600	1	hex nut	✓			
38061839003	1	Bolt NSF cpl	✓			
38061844001	1	Sleeve	✓			
38036078002	1	torsion spring left	✓			
96055070000	0,005	Grease PARALIQ GA 343	✓			
38061810001	1	Screw Nut	✓			
38004459000	0,001	Loctite 648	✓			
56082290000	1	Set screw DIN438 M5x10-A2-70	✓			
95972950002	0,001	Loctite 243 50 ml 95972950002	✓			
38061826004	1	Holder	✓			
60540250402	1	Nut Plate	✓	✓	✓	
56765050000	2	Washer DIN 9021-5_3-A2-70 56765050000	✓			
57767050000	1	Spring lock washer DIN128-A5-FSt	✓			
57430120000	3	Hexagon Screw DIN 933-M5x12-A2-70	✓			
60350402001	1	Protective plug	✓			
95944300000	1	Kitchen silicone ELASTO4710	✓			
38036187000	1	cover	✓			
38036225000	1	seal	✓		✓	
57630420000	4	Countersunk Screw DIN963-M4x8-A2-70	✓			
38077867000	1	Magnet Base	✓			
38090248000	1	Magnet Vacodym 370 wz round 10x4 preass	✓		✓	
56456800000	1	Hexagon Nut DIN 934-M8-A2-70	✓			
57697480000	1	Cylinder screw DIN84 M4x10-A2-70	✓			
56739040000	1	Washer DIN 125-A 4.3-A2-70 56739040000	✓			
57767040000	1	Spring lock washer DIN128-A4-FSt	✓			
38075543000	1	Mounting Pin	✓			
57730180000	1	Oval-head screw ISO14583 M3x16-A2-70-T10	✓			
38075547000	1	Parallel Pin 8x15	✓			
38054179000	1	Set screw DIN438 M8x10-A2-70	✓			
60380205800	1	SLIDE PIN	✓			

Bolt NSF cpl

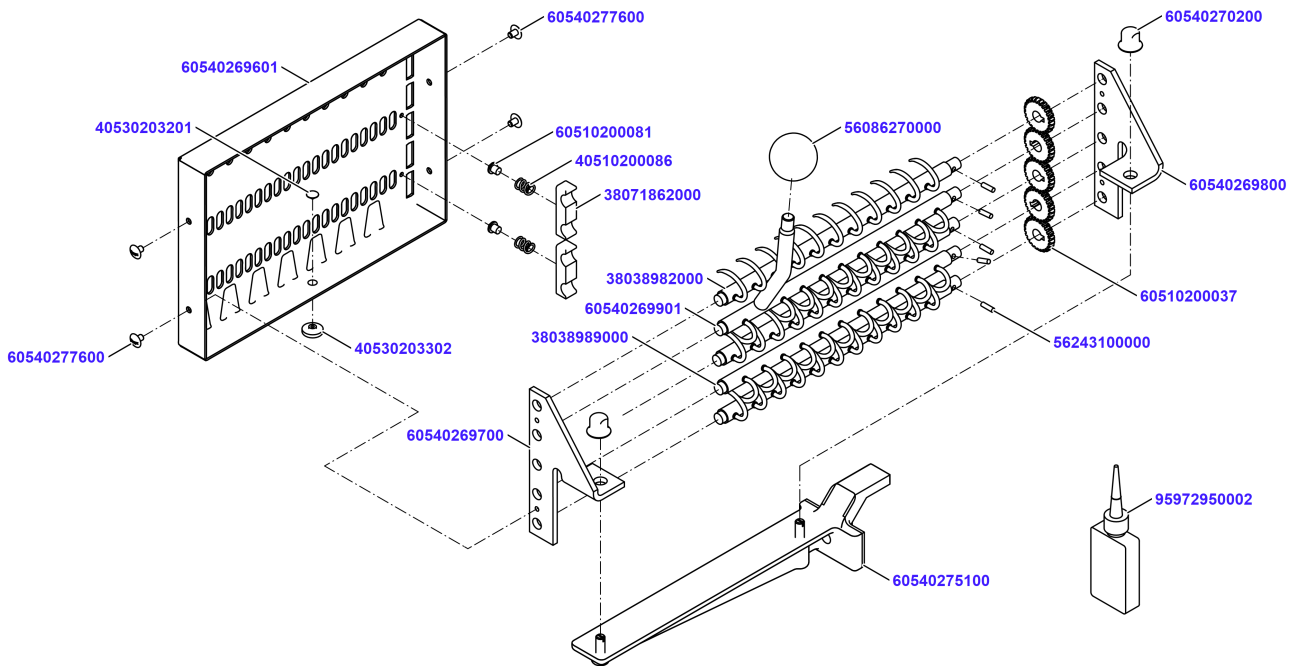


Bolt NSF cpl

Material No.	Qty	Material description
56086260000	1	Ball knob DIN319 M6x25 I
95972950002	0,001	Loctite 243 50 ml 95972950002

available for order
Wear part
Recomm. sp. part
Metr. relevance

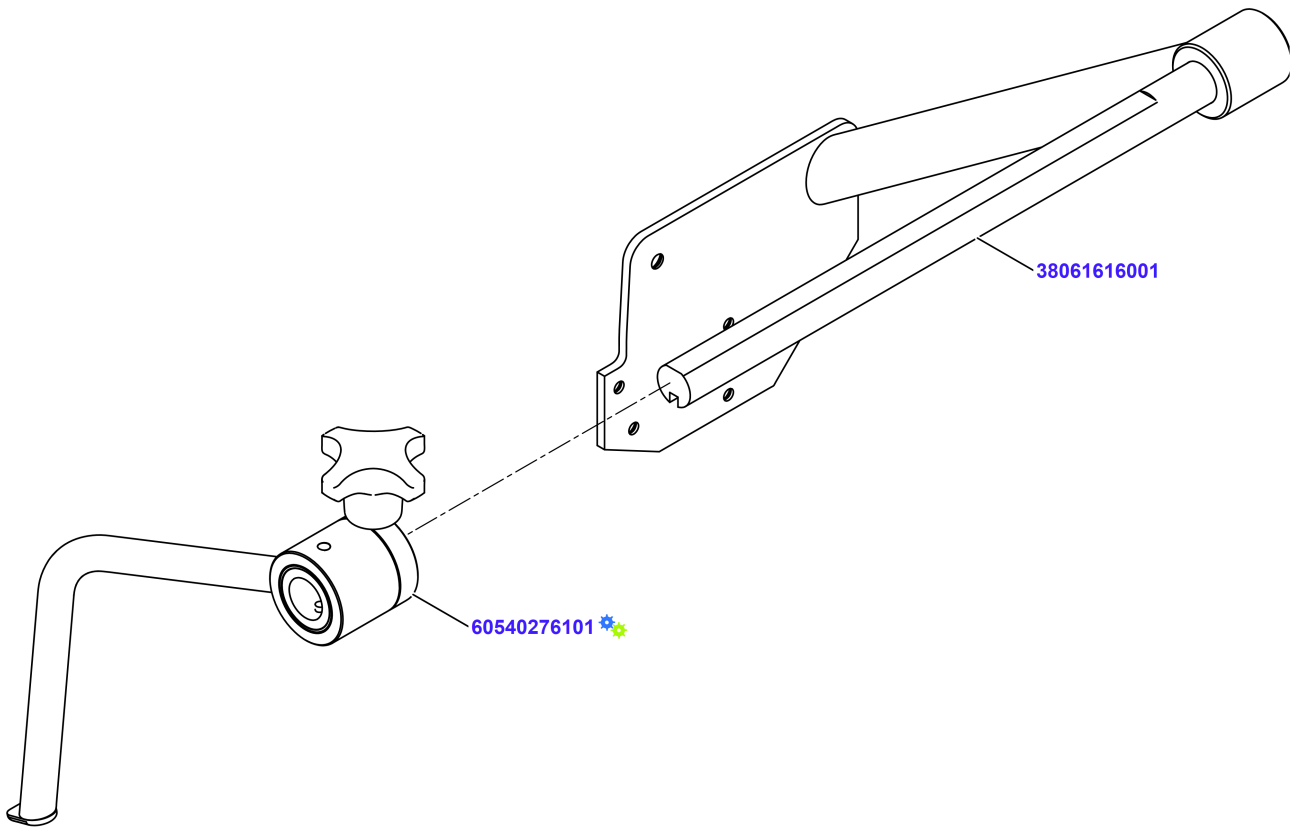
Product holder ass.



Product holder ass.

Material No.	Qty	Material description	available for order	Wear part	Recomm. sp. part	Metr. relevance
60540269601	1	product holder	✓			
60510200081	2	collar stud	✓			
60540269700	1	Side frame left	✓			
60540269800	1	Side frame right	✓			
38038982000	3	Gripper Shaft cpl.	✓			
38038989000	1	Gripper Shaft cpl.	✓			
60540269901	1	Gripper Shaft cpl	✓			
56086270000	1	Ball knob DIN319 M8x32 I	✓			
56243100000	5	Cylindrical pin DIN 7-3h11x10-A2-70	✓			
60510200037	5	Pinion	✓			
40510200086	2	Pressure spring	✓			
38071862000	2	brake pad	✓			
60540277600	4	self-tapping screw	✓			
60540275100	1	Holder preass.	✓			
60540270200	2	cap nut	✓		✓	
95972950002	0,001	Loctite 243 50 ml 95972950002	✓			
40530203201	1	push button	✓			
40530203302	1	sliding piece	✓		✓	

Product Supporter top cpl

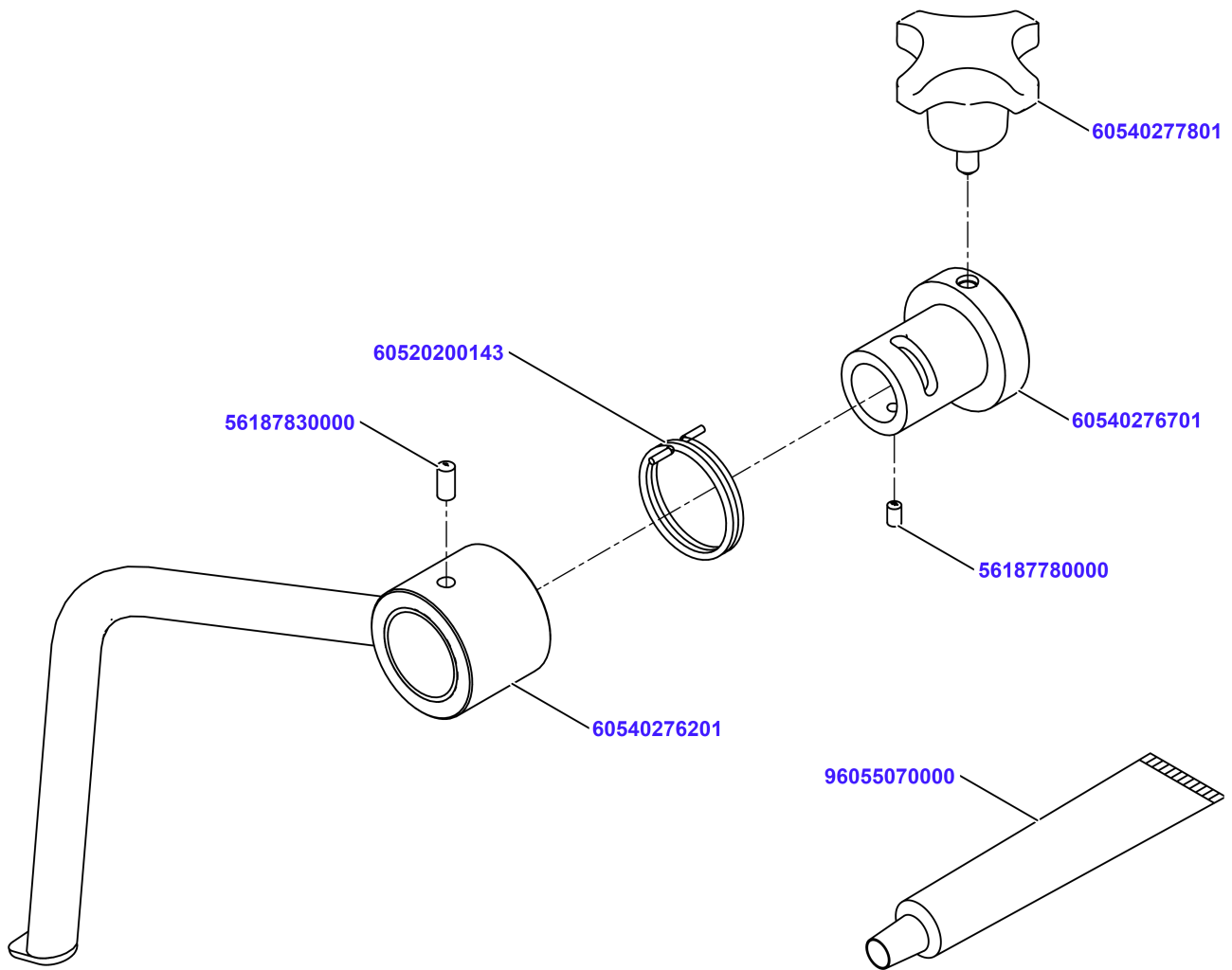


Product Supporter top cpl








Material No.	Qty	Material description
38061616001	1	Mounting with Shaft
60540276101	1	HOULDING DOWN DEVICE ASS.

available for order
Wear part
Recomm. sp. part
Metr. relevance

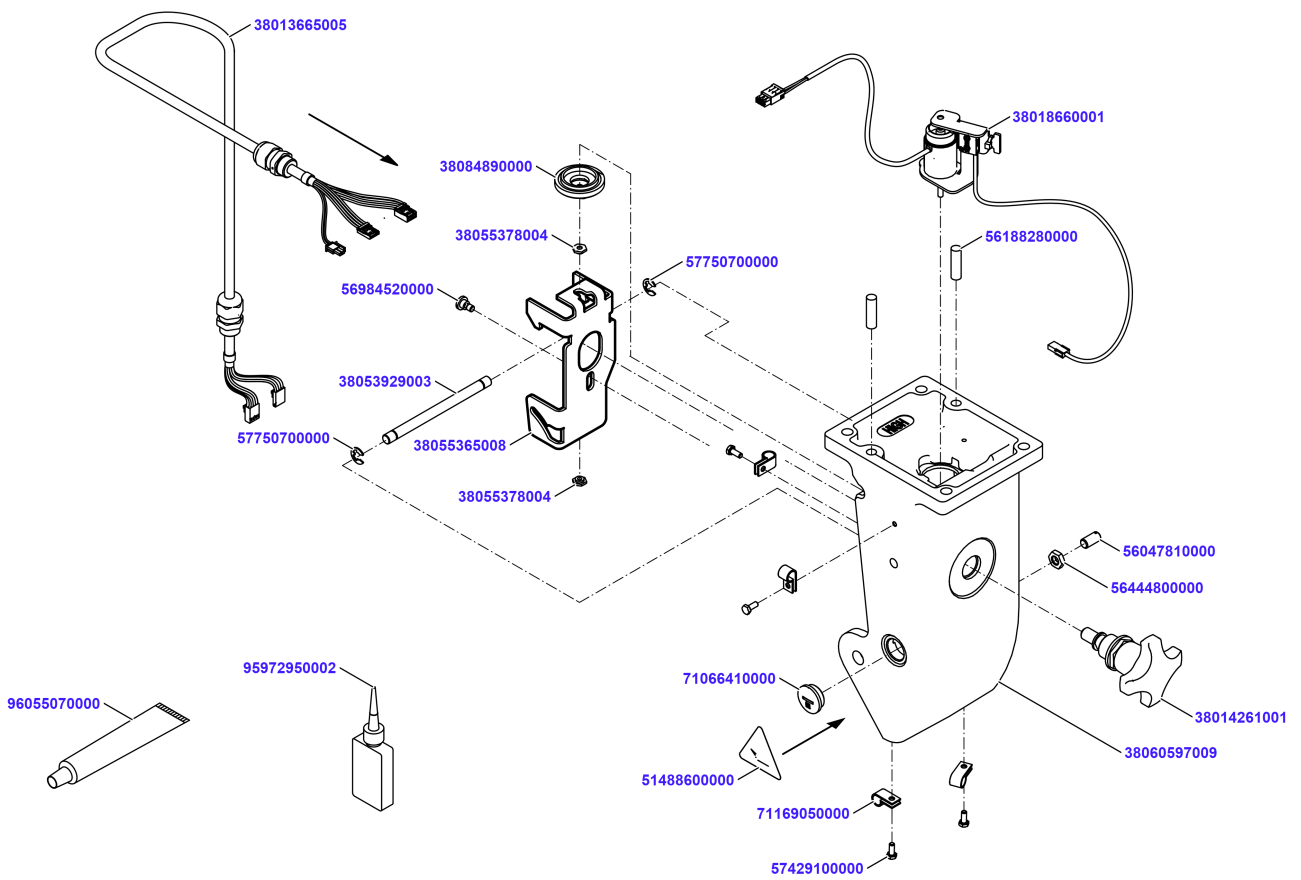
HOULDING DOWN DEVICE ASS.



HOULDING DOWN DEVICE ASS.

Material No.	Qty	Material description	available for order	Wear part	Recomm. sp. part	Metr. relevance
60540276201	1	Holding Down Device preass.				
60540276701	1	hub				
60540277801	1	LOCKING SCREW				
60520200143	1	torsion spring				
56187830000	1	Cylindrical pin EN 22338-5m6x10-A2				
96055070000	0,005	Grease PARALIQ GA 343				
56187780000	1	Cylindrical pin EN 22338-4m6x6-A2				

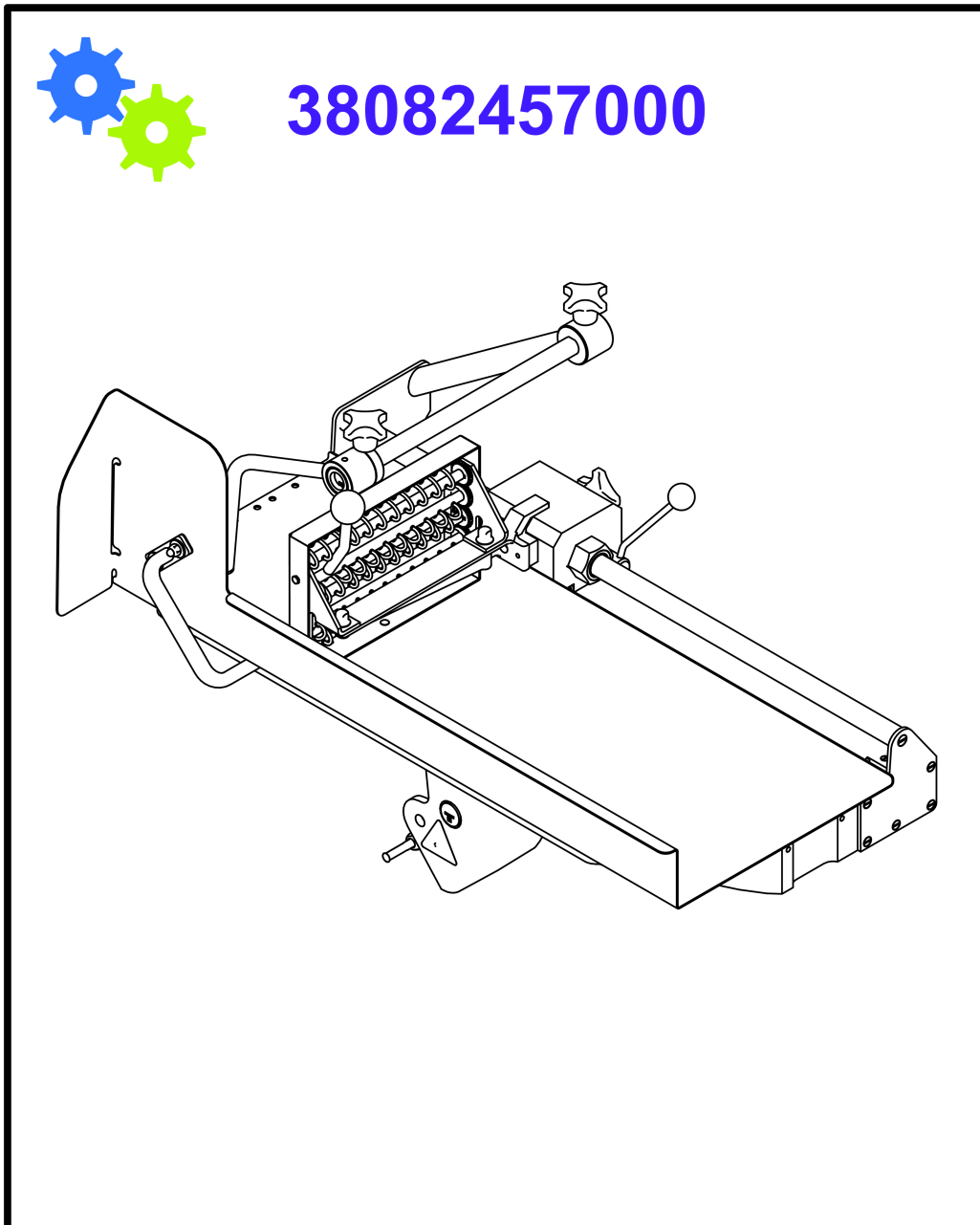
Carriage Foot high cpl



Carriage Foot high cpl

Material No.	Qty	Material description	available for order	Wear part	Recomm. sp. part	Metr. relevance
38060597009	1	Carriage Foot high mach	✓			
56188280000	2	Cylindrical pin EN 22338-8m6x28-A2	✓			
56047810000	1	Set screw DIN551 M8x16-PA 66	✓			
56444800000	1	Hexagon nut DIN439-M8-A2	✓			
38018660001	1	Magnet preass	✓	✓		
38084890000	1	Cap preass	✓			
38055378004	2	Hexagon nut	✓			
95972950002	0,001	Loctite 243 50 ml 95972950002	✓			
38055365008	1	Interlock	✓			
96055070000	0,001	Grease PARALIQ GA 343	✓			
56984520000	1	Pan head screw DIN923 M5x4A2-70	✓			
71066410000	1	Plug Round M20x1.5	✓			
38014261001	1	Handle preass	✓			
38053929003	1	Stop Bolt	✓			
57750700000	2	Retaining washer DIN6799-7	✓			
71169050000	4	Cable Clamp nylon 7,4mm NK-5N	✓			
38013665005	1	Ka Rd 12x24AWG 0,87m	✓			
57429100000	4	Hexagon Screw DIN933 M4x10 A2-70	✓			
51488600000	1	Warning Plate Hand Injury 7.29K	✓			

Carriage stroke 270mm as from 11540650



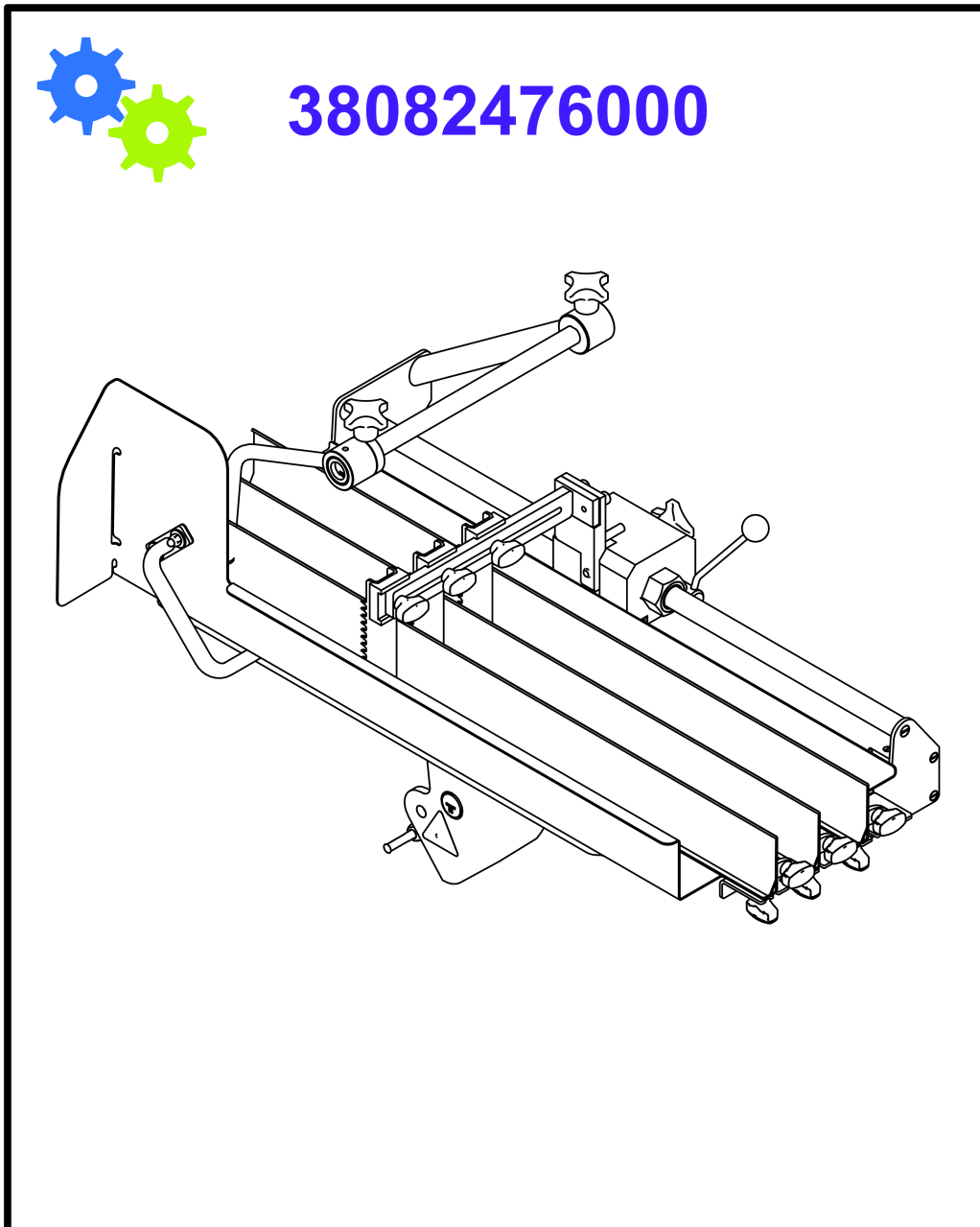
Carriage stroke 270mm as from 11540650

Material No.	Qty	Material description
--------------	-----	----------------------

38082457000	1	Carriage 600 NSF
-----------------------------	---	------------------


available for order
Wear part
Recomm. sp. part
Metr. relevance

Carriage stroke 270mm as from 11540650

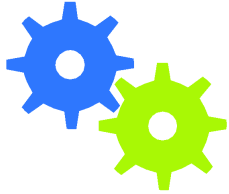


Carriage stroke 270mm as from 11540650

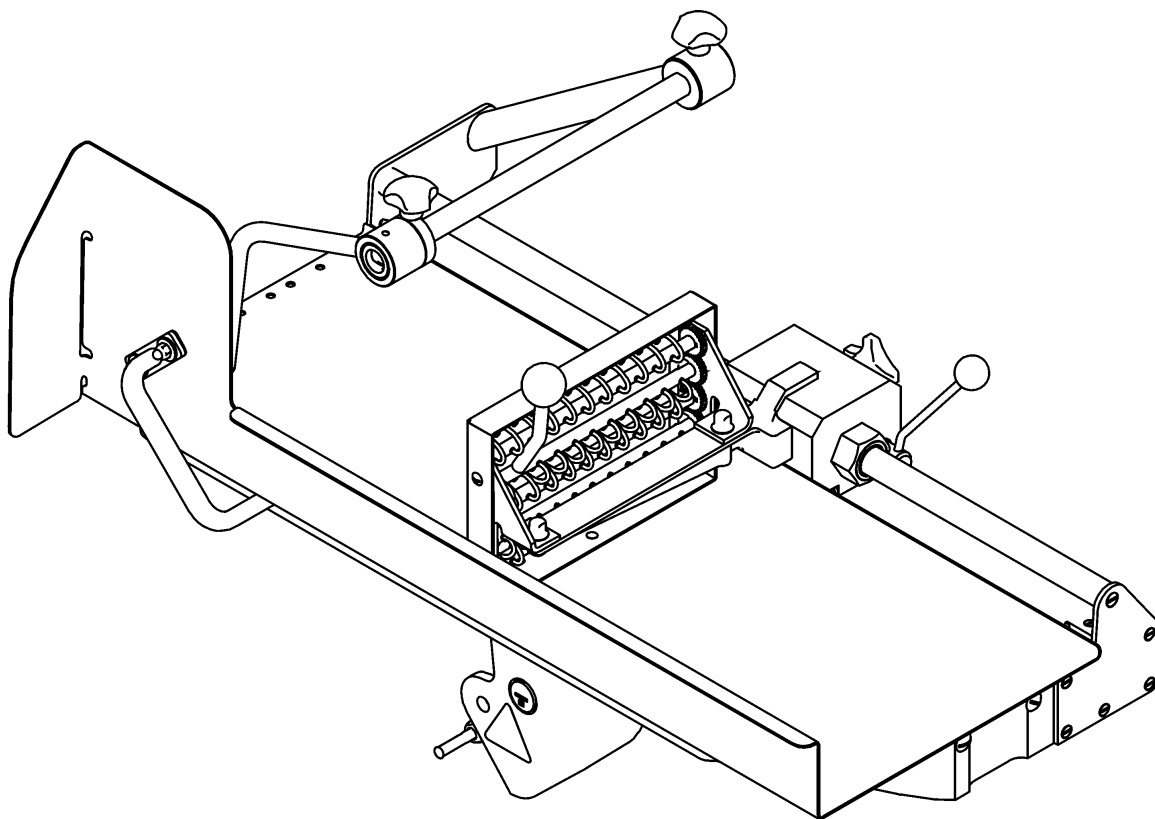
Material No.	Qty	Material description
38082476000	1	Carriage 600 template

	available for order
	Wear part
	Recomm. sp. part
	Metr. relevance

Carriage stroke 270mm as from 11540650



38117002002



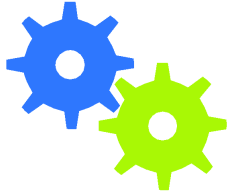
Carriage stroke 270mm as from 11540650

Material No.	Qty	Material description
--------------	-----	----------------------

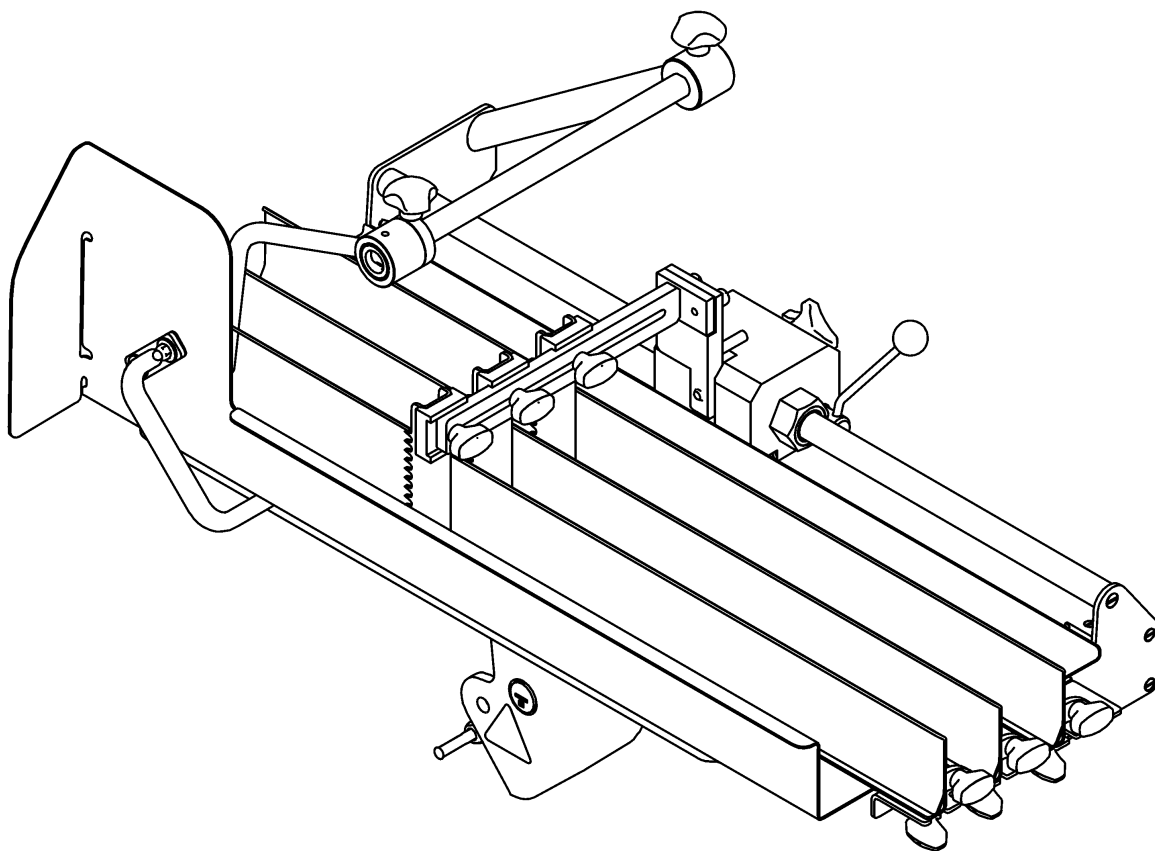
38117002002	1	Carriage 600 NSF
-----------------------------	---	------------------

available for order
Wear part
Recomm. sp. part
Metr. relevance

Carriage stroke 270mm as from 11540650




38117005001

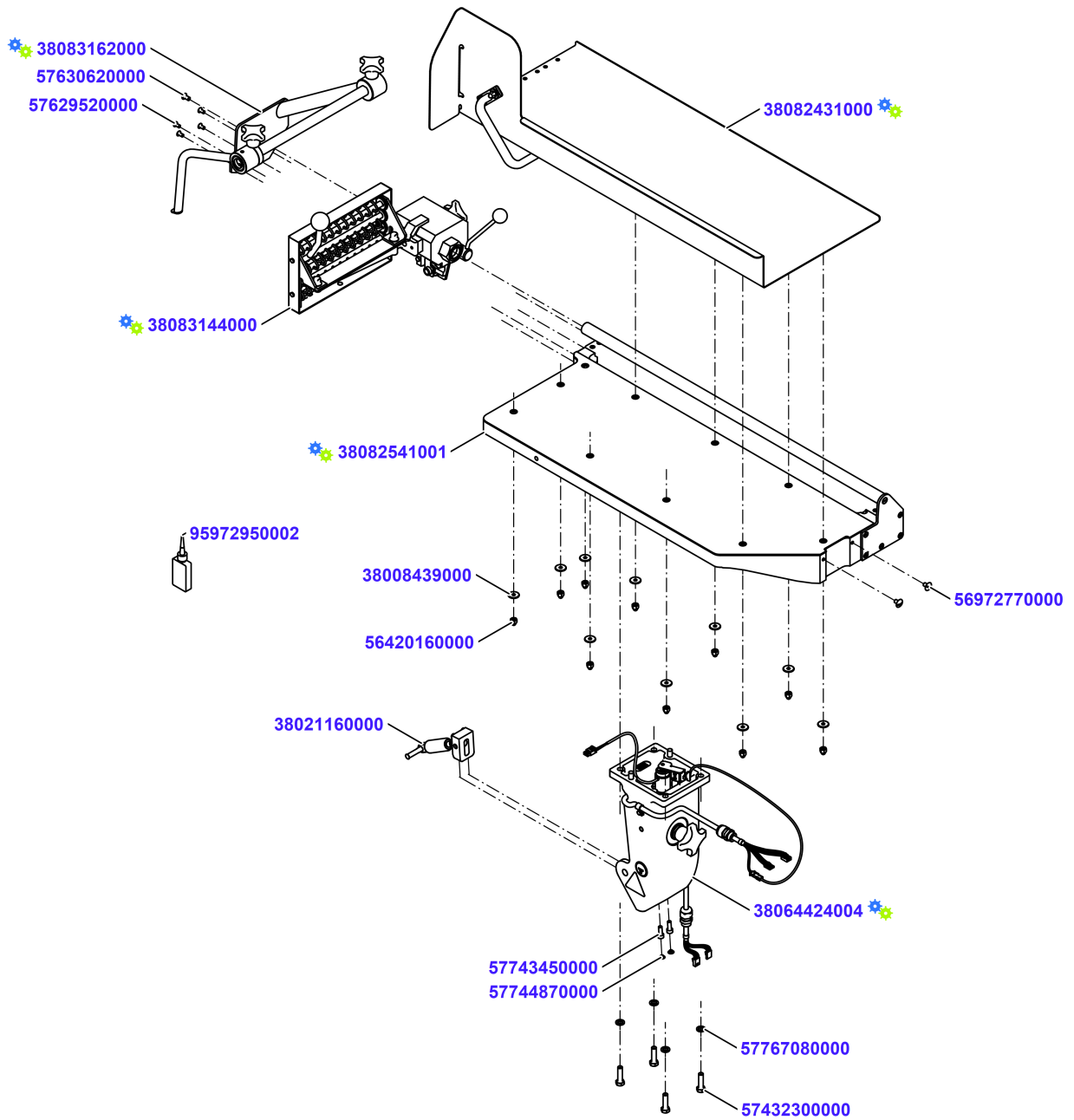


Carriage stroke 270mm as from 11540650

Material No.	Qty	Material description
38117005001	1	Carriage 600 template

	available for order
	Wear part
	Recomm. sp. part
	Metr. relevance

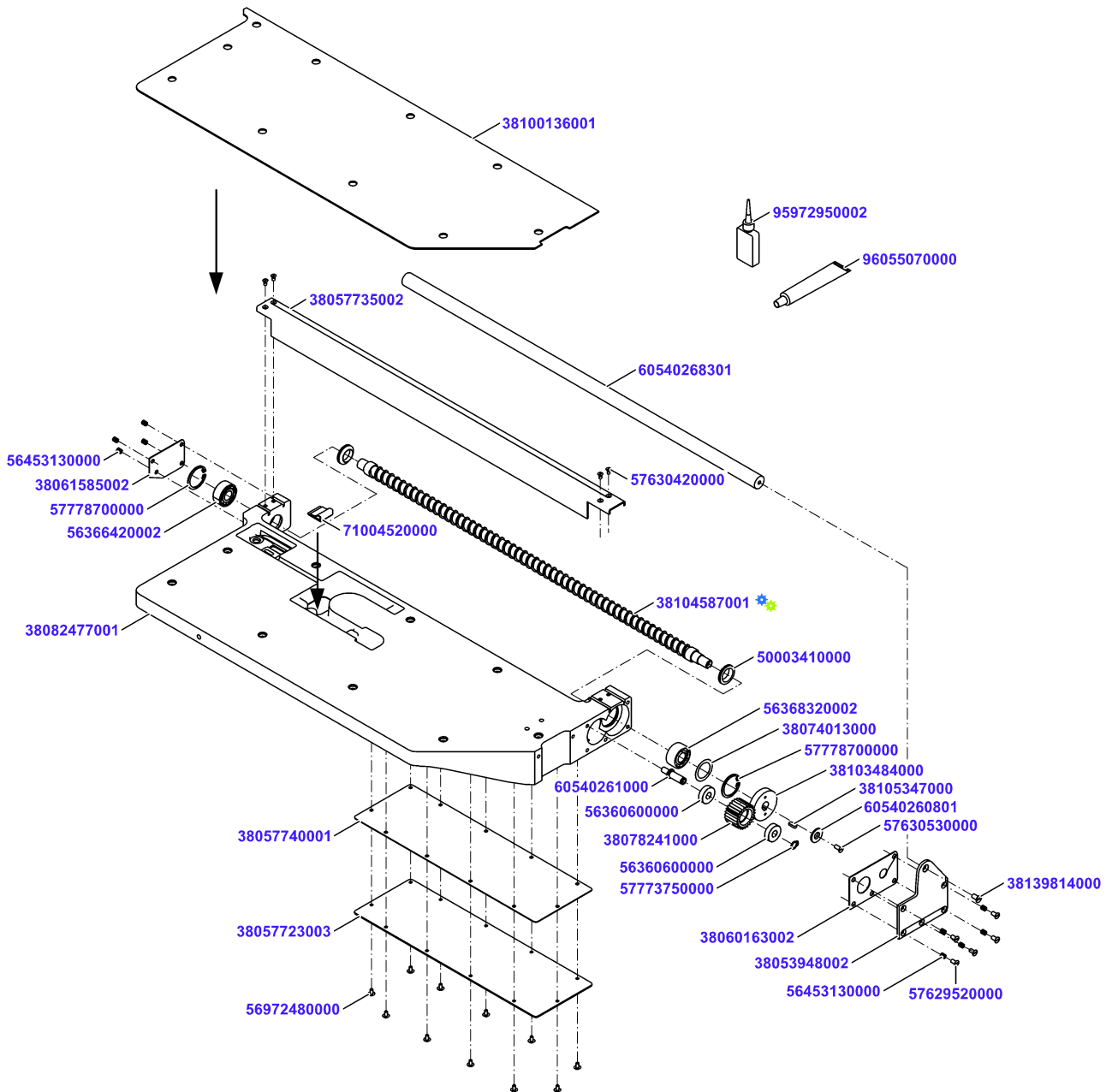
Carriage 600 NSF



Carriage 600 NSF

Material No.	Qty	Material description	available for order	Wear part	Recomm. sp. part	Metr. relevance
38082541001	1	Carriage 600 cpl.				
38082431000	1	Carriage Plate Template preass	✓			
56420160000	10	Cap nut DIN986-M6-A2	✓			
38008439000	10	Sealing washer M6	✓		✓	
56972770000	2	Mushroom head screw M6x10-A2-70	✓			
38083144000	1	Product Holder non folding NSF cpl				
38083162000	1	Product Supporter top NSF cpl				
57629520000	4	Countersunk Screw DIN 963-M5x10-A2-70	✓			
95972950002	0,001	Loctite 243 50 ml 95972950002	✓			
57630620000	1	Countersunk screw DIN963 M6x12-A2-70	✓			
38064424004	1	Carriage Foot high cpl				
57432300000	4	Hexagon screw DIN933 M8x30 A2-70	✓			
57767080000	4	Spring lock washer DIN128-A8-A2	✓			
38021160000	1	Gas Spring Carriage 600 cpl	✓		✓	
57743450000	2	Cylinder screw DIN912 M6x16-A2-70	✓			
57744870000	2	Protective plug 10x5,2x3,1-PE	✓		✓	

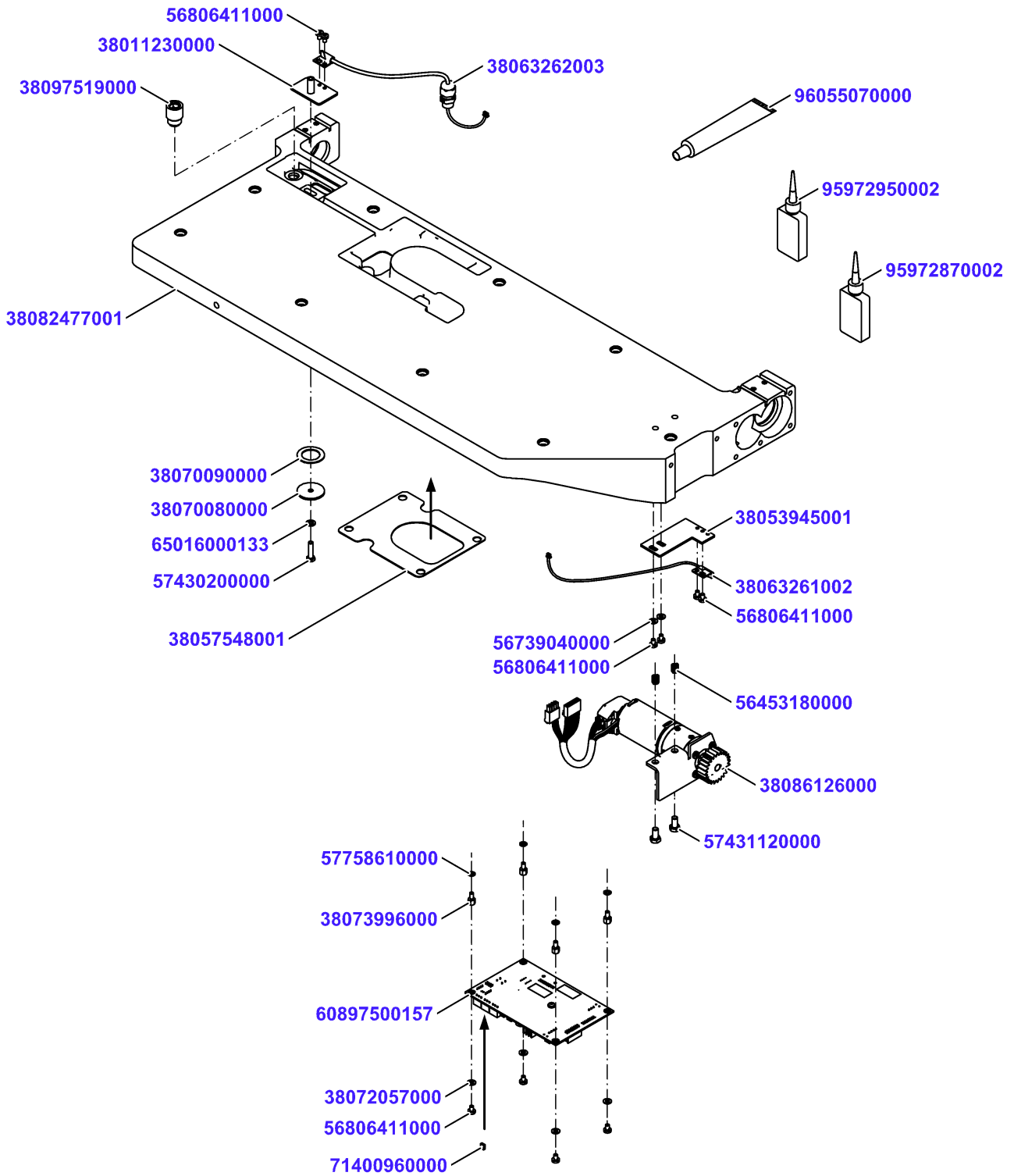
Carriage 600 cpl.



Carriage 600 cpl.

Material No.	Qty	Material description	available for order	Wear part	Recomm. sp. part	Metr. relevance
38082477001	1	Carriage 600 cast machined	✓			
56453130000	9	Thread insert M5x7,5-A2	✓			
56366420002	1	Self-Aligning Ball Bearing 2202	✓			
57778700000	1	Retaining ring DIN472-35x1,5	✓			
50003410000	1	Wiper ring 30x20x7	✓			
38104587001	1	Feedspindle 721xTR20X12 ass.	✓			
50003410000	1	Wiper ring 30x20x7	✓			
56368320002	1	Angular bearing double-row 15x35x15,9	✓			
57778700000	1	Retaining ring DIN472-35x1,5	✓			
38074013000	1	Shim ring DIN988-25x35x0,1	✓			
38103484000	1	Gear Wheel	✓			
96055070000	0,001	Grease PARALIQ GA 343	✓			
38105347000	1	Parallel key DIN6885-A 5x3x14	✓			
60540260801	1	Washer	✓			
57630530000	1	Countersunk Screw DIN963 M5x12-A2-70	✓			
95972950002	0,001	Loctite 243 50 ml 95972950002	✓			
60540261000	1	bolt	✓			
38078241000	1	Gear Wheel	✓			
56360600000	2	Grooved Ball Bearing DIN625 10x26x8	✓			
57773750000	1	Retaining Ring DIN471-10x1 57773750000	✓			
38057735002	1	Guide Rail 600er	✓			
57630420000	4	Countersunk Screw DIN963-M4x8-A2-70	✓			
71004520000	1	Flat Cabel Holder 3484-1000	✓			
38053948002	1	Flange	✓			
38060163002	1	Sealing	✓		✓	
57629520000	5	Countersunk Screw DIN 963-M5x10-A2-70	✓			
38061585002	1	sealing	✓		✓	
60540268301	1	guide shaft	✓			
38139814000	1	Screw DIN963 M6x12-A2 - Precote 80-8	✓		✓	
38100136001	1	Flat Seal Carriage Plate 600	✓		✓	
38057723003	1	Cover 378x119,1x2	✓			
38057740001	1	Seal long	✓		✓	
56972480000	11	Mushroom head screw M4x8-A2-70 Tuflok	✓			

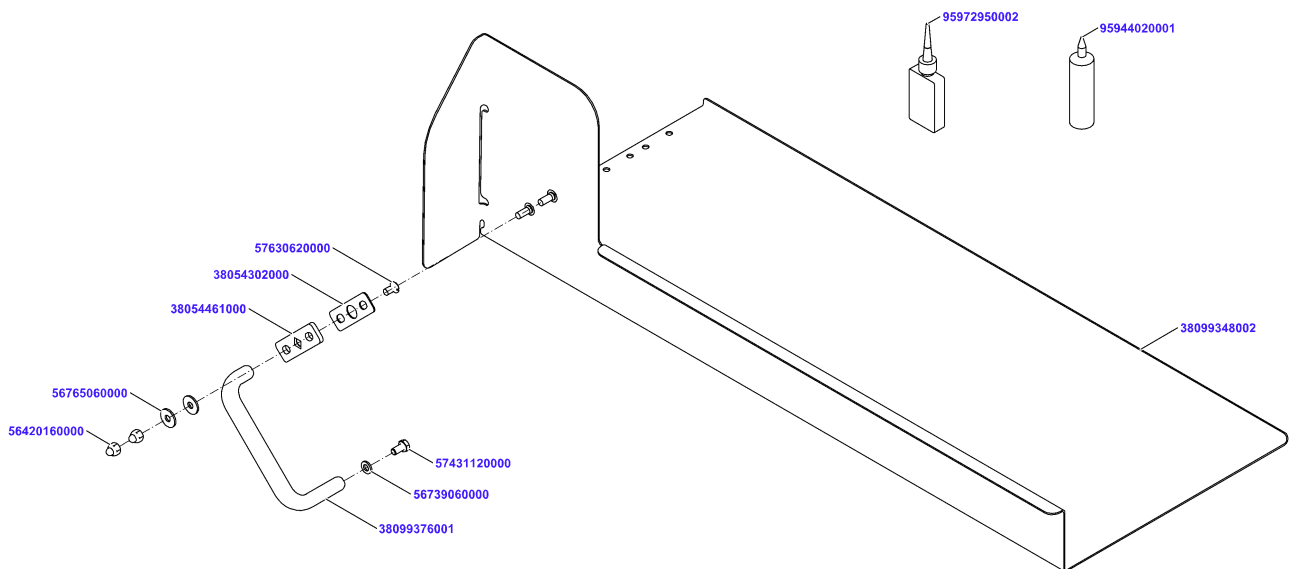
Carriage 600 cpl.



Carriage 600 cpl.

Material No.	Qty	Material description	available for order	Wear part	Recomm. sp. part	Metr. relevance
38082477001	1	Carriage 600 cast machined	✓			
56453180000	2	Threaded insert Heli-Coil D M6x9	✓			
96055070000	0,001	Grease PARALIQ GA 343	✓			
95972950002	0,001	Loctite 243 50 ml 95972950002	✓			
38053945001	1	Board	✓			
38063261002	1	Sensor product feeding 1 VSI	✓			
56806411000	4	Oval-Head Screw ISO 14583-M4x6-T20-A2-70	✓			
56739040000	2	Washer DIN 125-A 4.3-A2-70 56739040000	✓			
38011230000	1	Board cpl	✓			
38063262003	1	Sensor product feeding 2 VSI	✓			
56806411000	2	Oval-Head Screw ISO 14583-M4x6-T20-A2-70	✓			
38070080000	1	Washer	✓			
38070090000	1	Sealing	✓		✓	
57430200000	1	Hexagon Screw DIN 933-M5x20-A2-70	✓			
65016000133	1	Washer 5-PA 65016000133	✓			
38097519000	1	Sleeve 18 x 10 x 24.25	✓			
95972870002	0,001	Loctite 638 95972870002	✓			
38086126000	1	Motor Product Feeding BG42x15 cpl	✓			
57431120000	2	Hexagon Screw DIN 933-M6x12-A2-7	✓			
60897500157	1	PCBAP MC 3ph 2ch lv bus	✓			
71400960000	1	SHORT CIRCUIT BRACKET 3131 731000406	✓		✓	
57758610000	4	Toothed washer DIN6797-A 4,3-Fst	✓			
38073996000	4	Distance bolt SW7x6 M4-M4 In-Out	✓			
56806411000	4	Oval-Head Screw ISO 14583-M4x6-T20-A2-70	✓			
38072057000	4	Washer DIN 125-A 4,3-PA6 38072057000	✓			
38057548001	1	Seal	✓		✓	

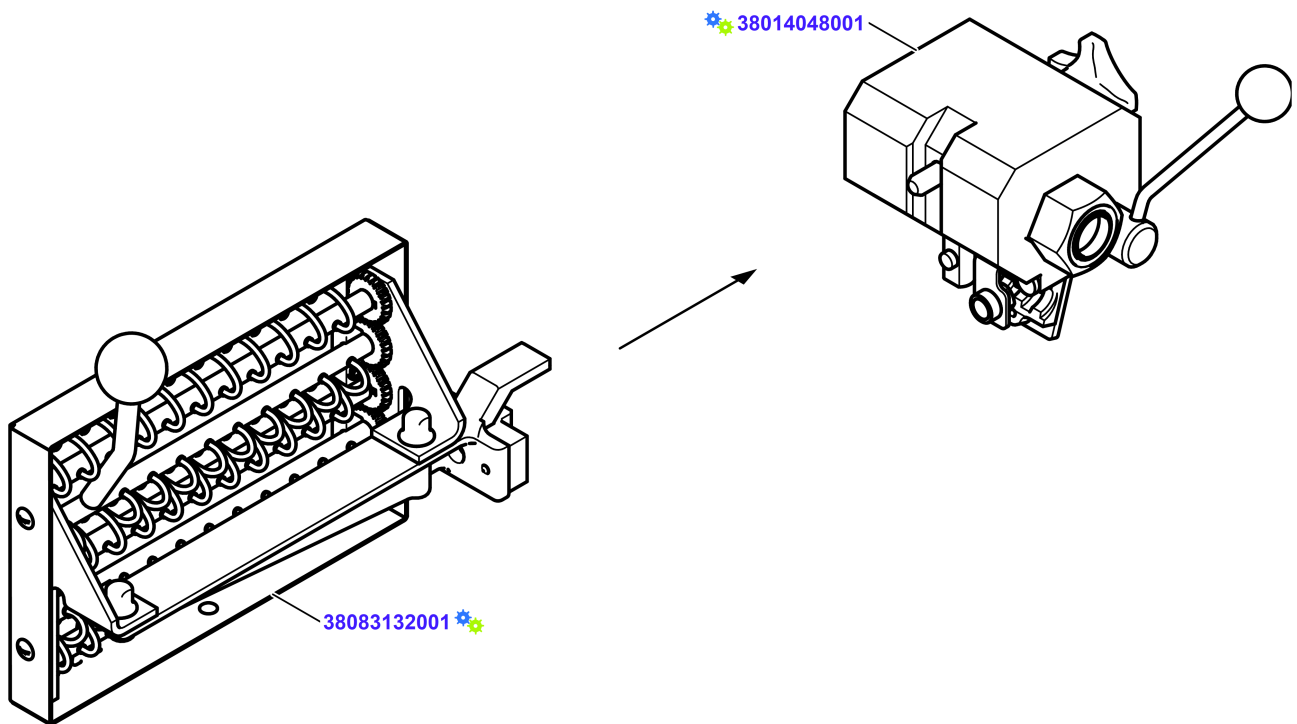
Carriage Plate Template preass



Carriage Plate Template press

Material No.	Qty	Material description	available for order	Wear part	Recomm. sp. part	Metr. relevance
38099348002	1	Carriage Plate welded	✓			
38099376001	1	Handle	✓			
38054461000	1	Plate	✓			
38054302000	1	Gasket	✓		✓	
95944020001	10	Silicone Rubber Elastosil E41 90ml	✓			
57630620000	1	Countersunk screw DIN963 M6x12-A2-70	✓			
95972950002	0,001	Loctite 243 50 ml 95972950002	✓			
56420160000	2	Cap nut DIN986-M6-A2	✓			
56765060000	2	Washer DIN9021-6-A2	✓			
57431120000	1	Hexagon Screw DIN 933-M6x12-A2-7	✓			
56739060000	1	Washer DIN125-A-6-A2	✓			

Product Holder non folding NSF cpl

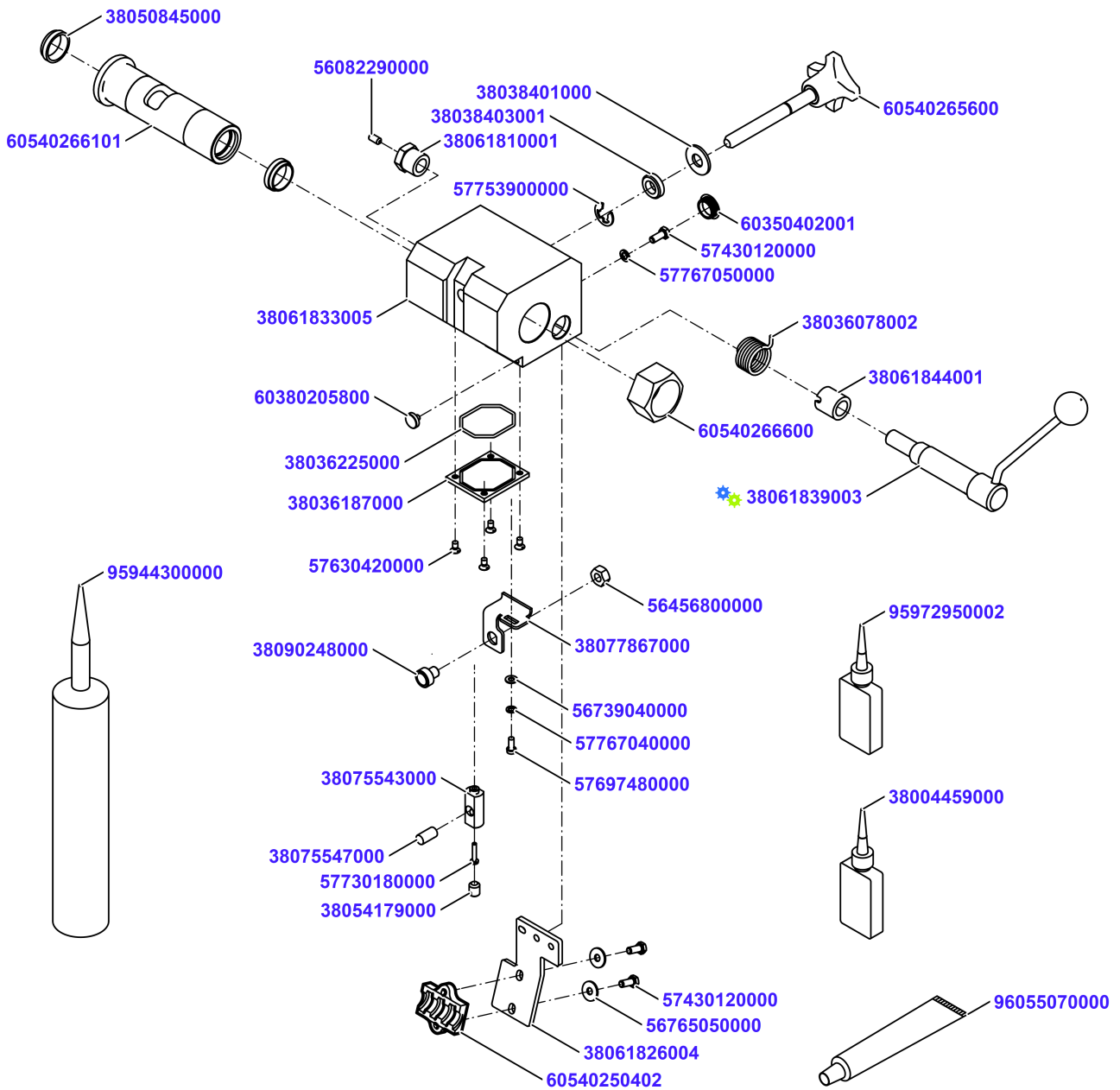


Product Holder non folding NSF cpl

Material No.	Qty	Material description
38014048001	1	Product Holder Guide NSF cpl
38083132001	1	Product Holder cpl. VSI

available for order
Wear part
Recomm. sp. part
Metr. relevance

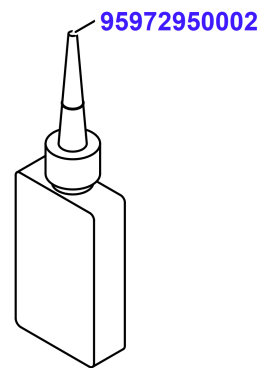
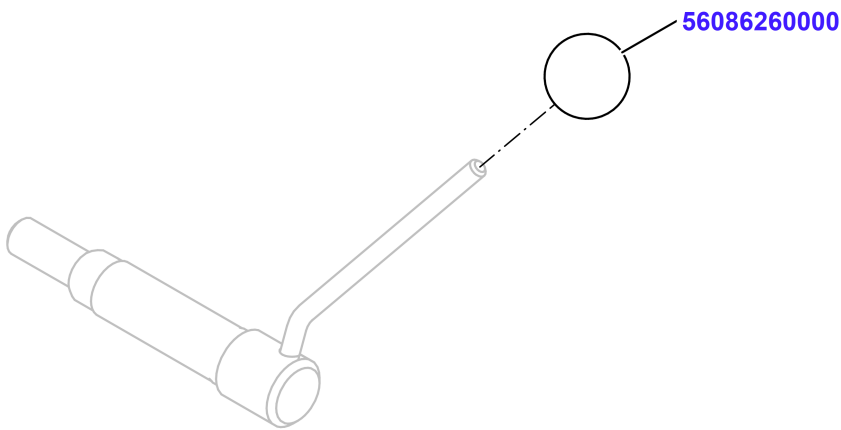
Product Holder Guide NSF cpl



Product Holder Guide NSF cpl

Material No.	Qty	Material description	available for order	Wear part	Recomm. sp. part	Metr. relevance
38061833005	1	Product Holder Guide	✓			
60540265600	1	locking lever mount.	✓			
38038401000	1	washer	✓			
38038403001	1	Bushing 19,1x10,7x5	✓			
57753900000	1	Retaining Washer DIN6799-9 57753900000	✓			
60540266101	1	Bushing complete	✓	✓	✓	
38050845000	2	Deflector Ring	✓			
60540266600	1	hex nut	✓			
38061839003	1	Bolt NSF cpl	✓			
38061844001	1	Sleeve	✓			
38036078002	1	torsion spring left	✓			
96055070000	0,005	Grease PARALIQ GA 343	✓			
38061810001	1	Screw Nut	✓			
38004459000	0,001	Loctite 648	✓			
56082290000	1	Set screw DIN438 M5x10-A2-70	✓			
95972950002	0,001	Loctite 243 50 ml 95972950002	✓			
38061826004	1	Holder	✓			
60540250402	1	Nut Plate	✓	✓	✓	
56765050000	2	Washer DIN 9021-5_3-A2-70 56765050000	✓			
57767050000	1	Spring lock washer DIN128-A5-FSt	✓			
57430120000	3	Hexagon Screw DIN 933-M5x12-A2-70	✓			
60350402001	1	Protective plug	✓			
95944300000	1	Kitchen silicone ELASTO4710	✓			
38036187000	1	cover	✓			
38036225000	1	seal	✓		✓	
57630420000	4	Countersunk Screw DIN963-M4x8-A2-70	✓			
38077867000	1	Magnet Base	✓			
38090248000	1	Magnet Vacodym 370 wz round 10x4 preass	✓		✓	
56456800000	1	Hexagon Nut DIN 934-M8-A2-70	✓			
57697480000	1	Cylinder screw DIN84 M4x10-A2-70	✓			
56739040000	1	Washer DIN 125-A 4.3-A2-70 56739040000	✓			
57767040000	1	Spring lock washer DIN128-A4-FSt	✓			
38075543000	1	Mounting Pin	✓			
57730180000	1	Oval-head screw ISO14583 M3x16-A2-70-T10	✓			
38075547000	1	Parallel Pin 8x15	✓			
38054179000	1	Set screw DIN438 M8x10-A2-70	✓			
60380205800	1	SLIDE PIN	✓			

Bolt NSF cpl

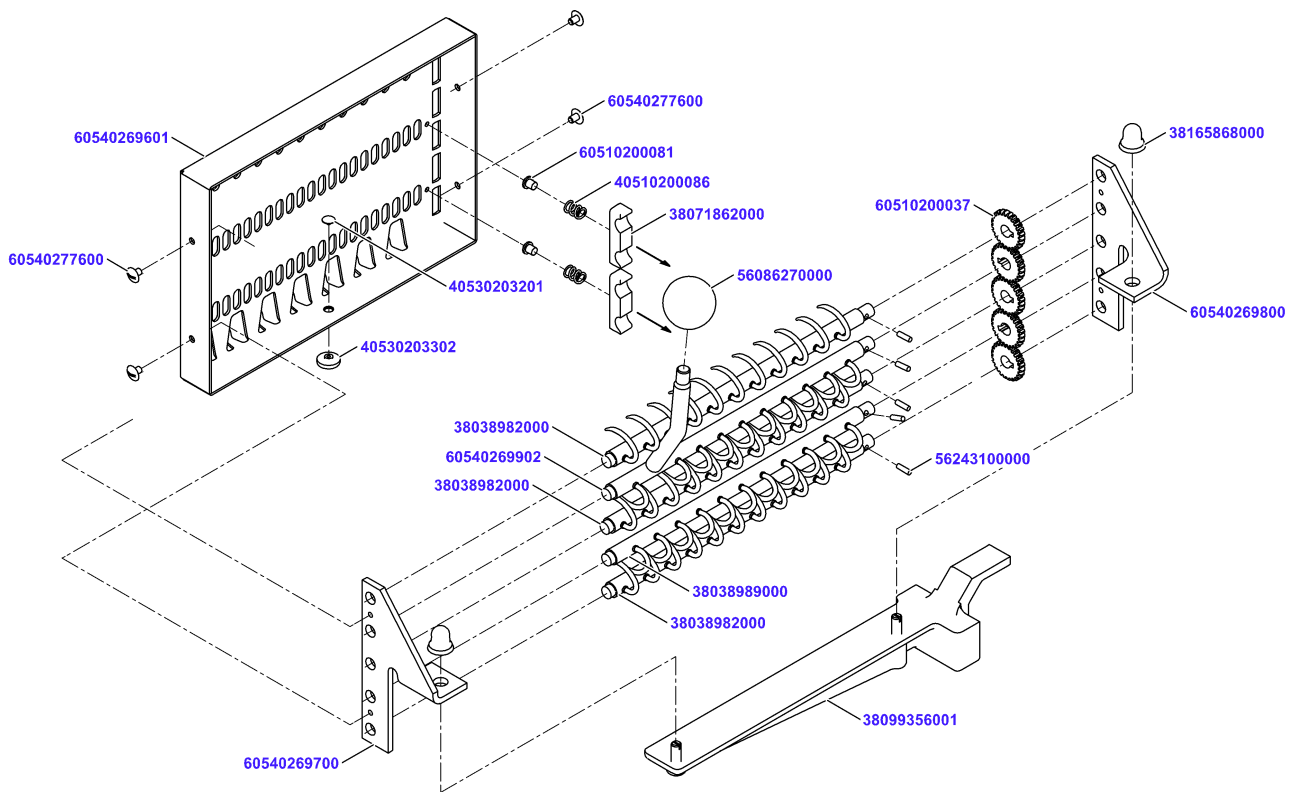


Bolt NSF cpl

Material No.	Qty	Material description
56086260000	1	Ball knob DIN319 M6x25 I
95972950002	0,001	Loctite 243 50 ml 95972950002

available for order
Wear part
Recomm. sp. part
Metr. relevance

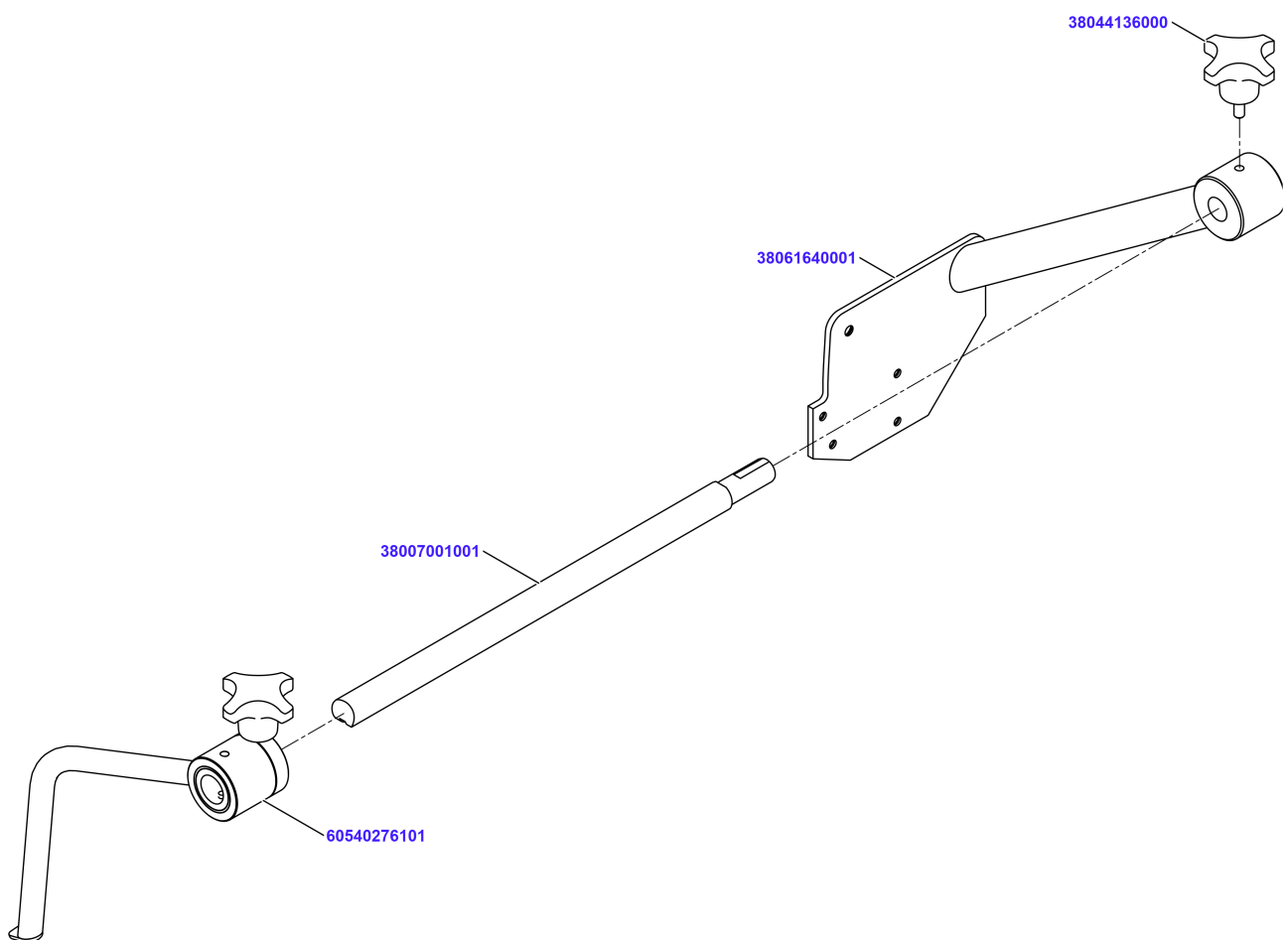
Product Holder cpl. VSI



Product Holder cpl. VSI

Material No.	Qty	Material description	available for order	Wear part	Recomm. sp. part	Metr. relevance
60510200081	2	collar stud	✓			
60540269700	1	Side frame left	✓			
60540269800	1	Side frame right	✓			
38038982000	3	Gripper Shaft cpl.	✓			
38038989000	1	Gripper Shaft cpl.	✓			
60540269902	1	Gripper Shaft cpl	✓			
56086270000	1	Ball knob DIN319 M8x32 I	✓			
56243100000	5	Cylindrical pin DIN 7-3h11x10-A2-70	✓			
60510200037	5	Pinion	✓			
40510200086	2	Pressure spring	✓			
38071862000	2	brake pad	✓			
60540277600	4	self-tapping screw	✓			
38099356001	1	Holder preass.	✓			
38165868000	2	Hygienic Cap Nut M6 with Precote 30-8	✓			
40530203201	1	push button	✓			
40530203302	1	sliding piece	✓			

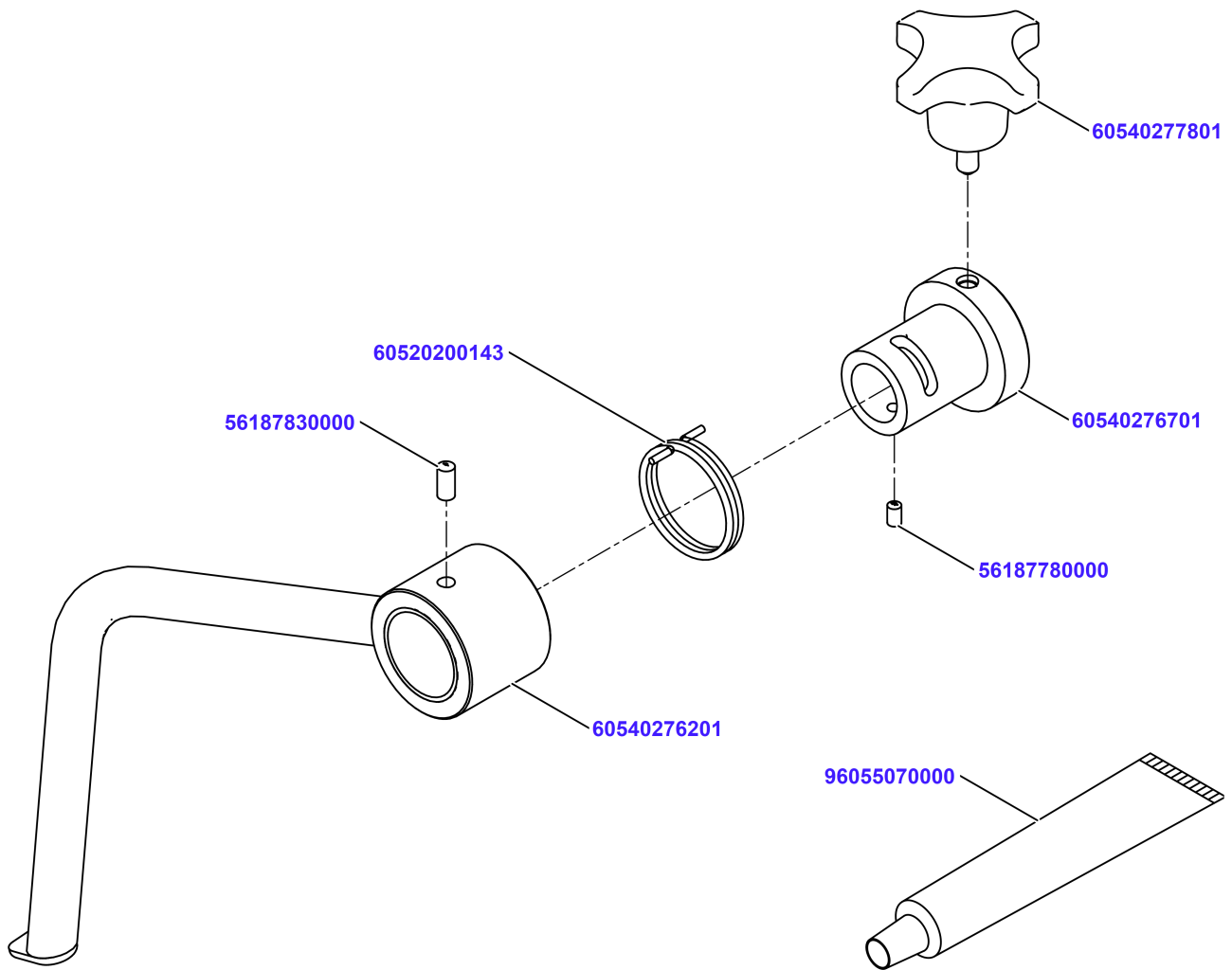
Product Supporter top NSF cpl










Product Supporter top NSF cpl

Material No.	Qty	Material description	available for order	Wear part	Recomm. sp. part	Metr. relevance
38061640001	1	Mounting welded	✓			
38007001001	1	Axis 18x342	✓			
60540276101	1	HOULDING DOWN DEVICE ASS.	✓			
38044136000	1	LOCKING SCREW	✓			

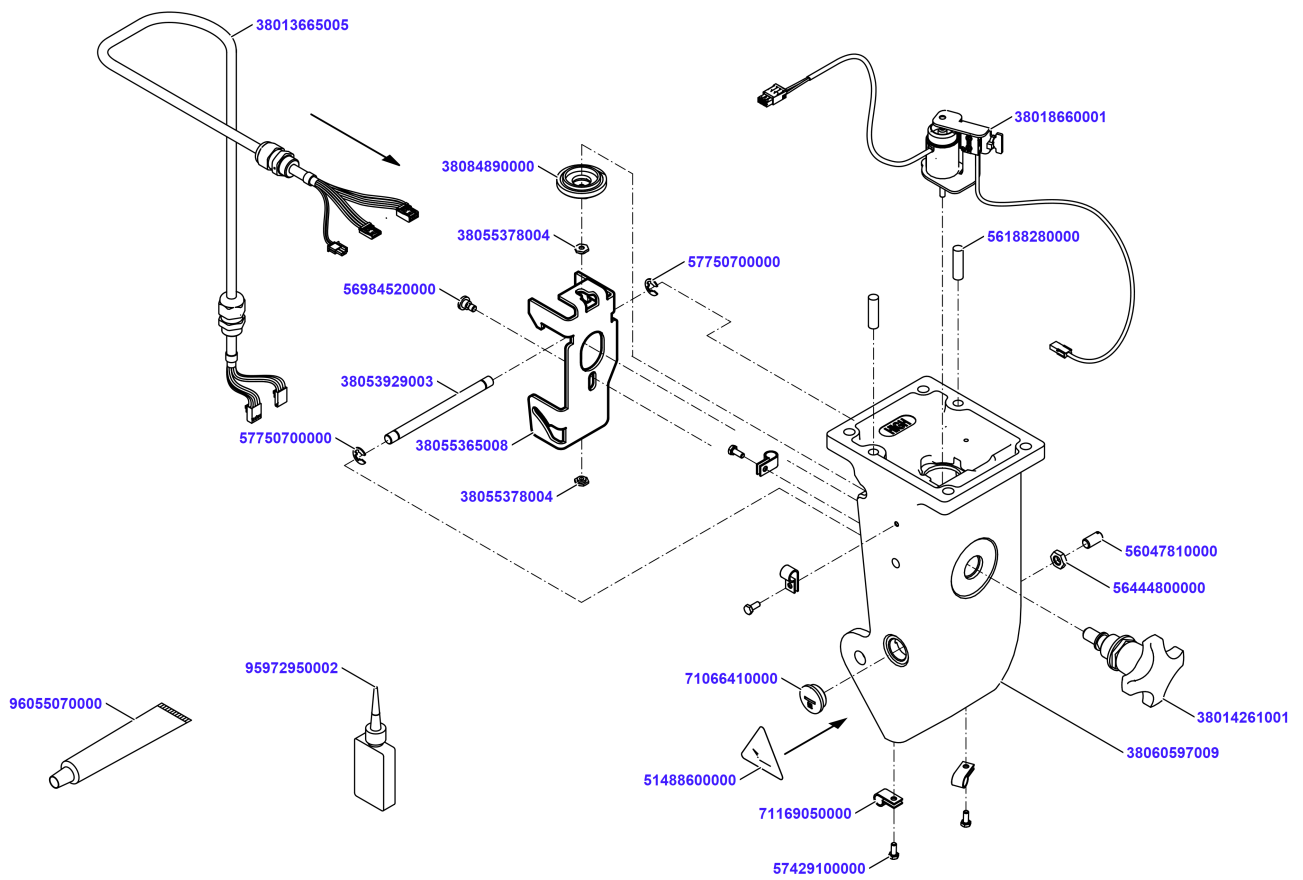
HOULDING DOWN DEVICE ASS.



HOULDING DOWN DEVICE ASS.

Material No.	Qty	Material description	available for order	Wear part	Recomm. sp. part	Metr. relevance
60540276201	1	Holding Down Device preass.				
60540276701	1	hub				
60540277801	1	LOCKING SCREW				
60520200143	1	torsion spring				
56187830000	1	Cylindrical pin EN 22338-5m6x10-A2				
96055070000	0,005	Grease PARALIQ GA 343				
56187780000	1	Cylindrical pin EN 22338-4m6x6-A2				

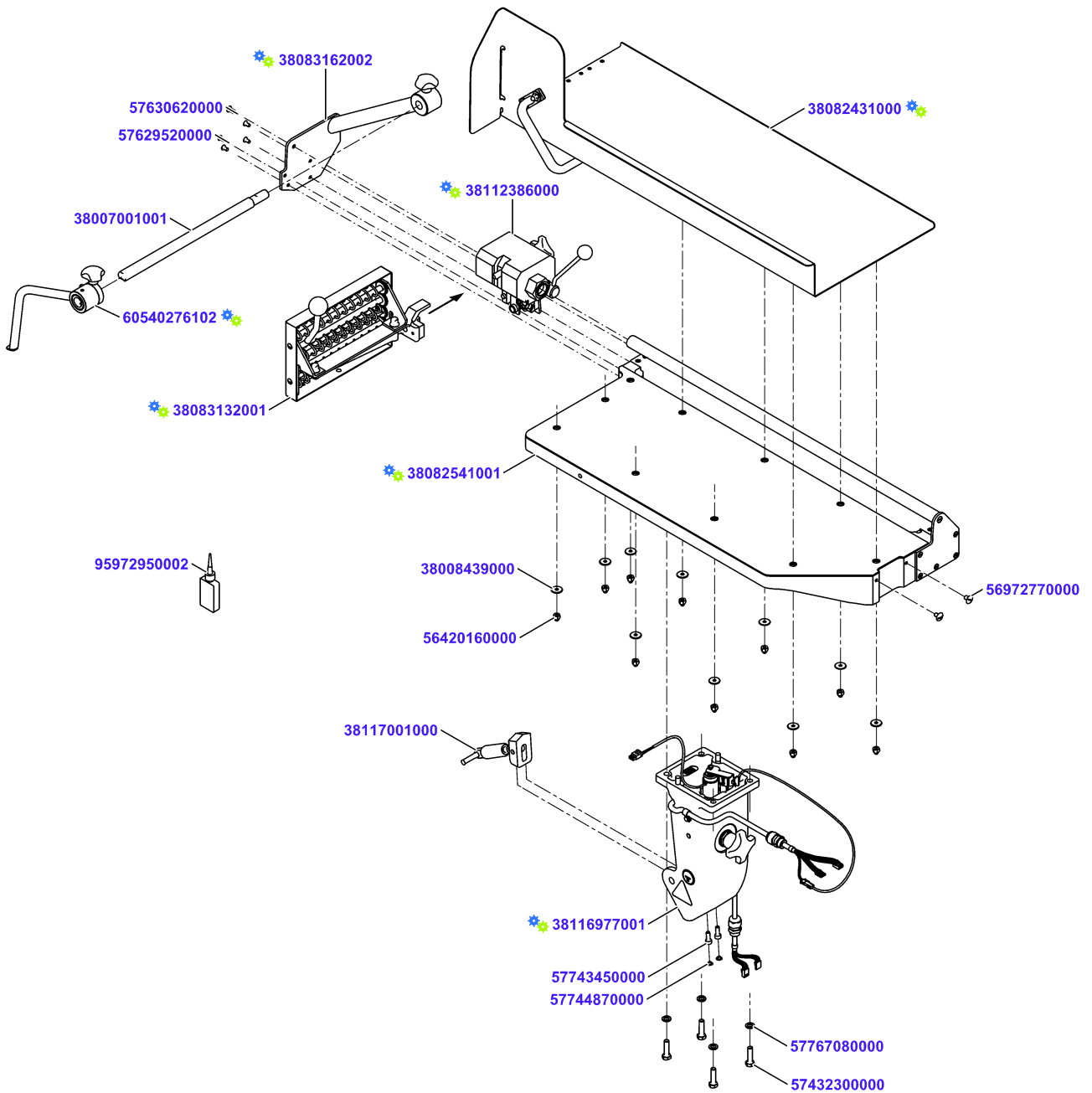
Carriage Foot high cpl



Carriage Foot high cpl

Material No.	Qty	Material description	available for order	Wear part	Recomm. sp. part	Metr. relevance
38060597009	1	Carriage Foot high mach	✓			
56188280000	2	Cylindrical pin EN 22338-8m6x28-A2	✓			
56047810000	1	Set screw DIN551 M8x16-PA 66	✓			
56444800000	1	Hexagon nut DIN439-M8-A2	✓			
38018660001	1	Magnet preass	✓	✓		
38084890000	1	Cap preass	✓			
38055378004	2	Hexagon nut	✓			
95972950002	0,001	Loctite 243 50 ml 95972950002	✓			
38055365008	1	Interlock	✓			
96055070000	0,001	Grease PARALIQ GA 343	✓			
56984520000	1	Pan head screw DIN923 M5x4A2-70	✓			
71066410000	1	Plug Round M20x1.5	✓			
38014261001	1	Handle preass	✓			
38053929003	1	Stop Bolt	✓			
57750700000	2	Retaining washer DIN6799-7	✓			
71169050000	4	Cable Clamp nylon 7,4mm NK-5N	✓			
38013665005	1	Ka Rd 12x24AWG 0,87m	✓			
57429100000	4	Hexagon Screw DIN933 M4x10 A2-70	✓			
51488600000	1	Warning Plate Hand Injury 7.29K	✓			

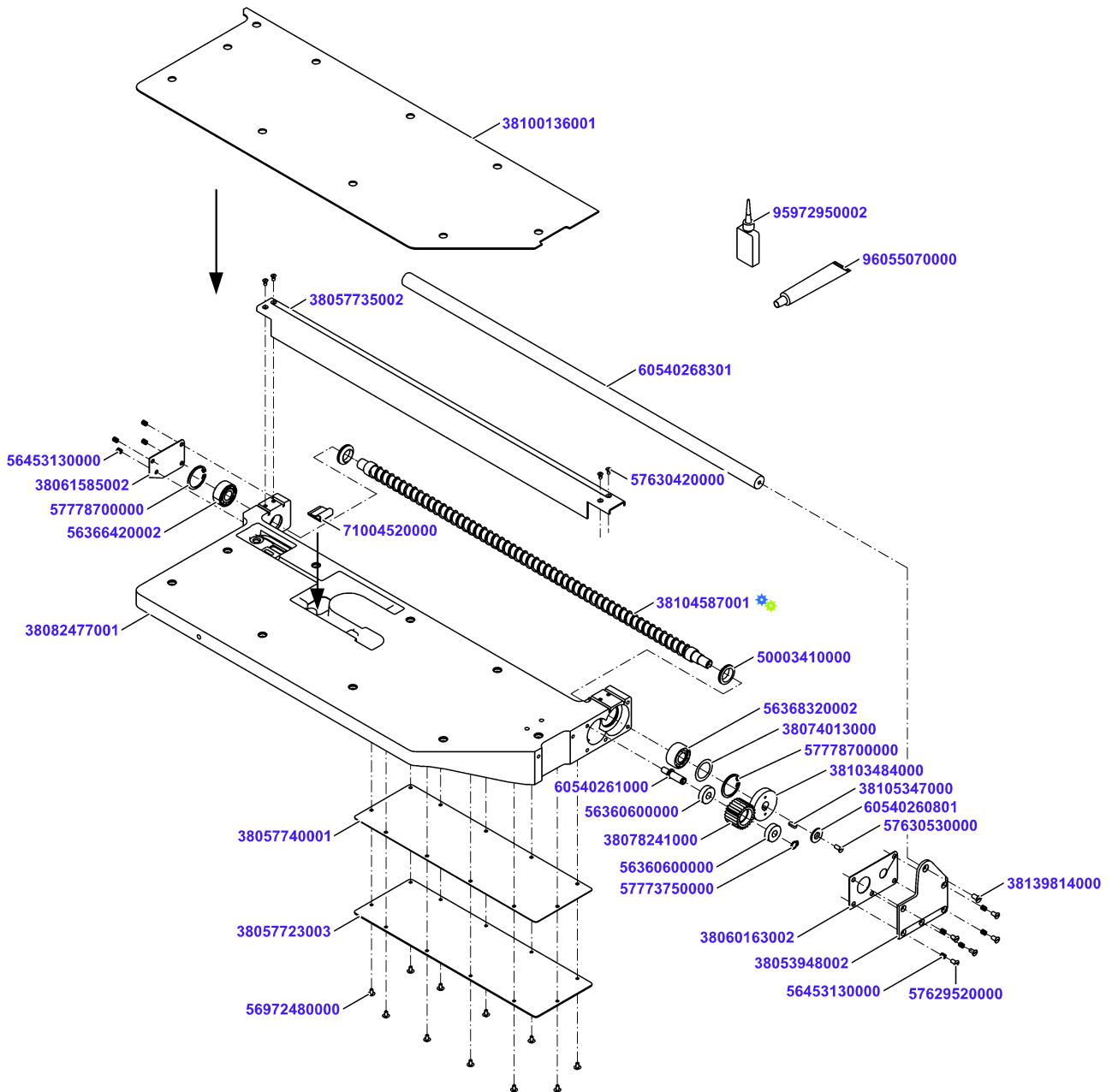
Carriage 600 NSF



Carriage 600 NSF

Material No.	Qty	Material description	available for order	Wear part	Recomm. sp. part	Metr. relevance
38082541001	1	Carriage 600 cpl.				
38082431000	1	Carriage Plate Template preass	✓			
56420160000	10	Cap nut DIN986-M6-A2	✓			
38008439000	10	Sealing washer M6	✓		✓	
56972770000	2	Mushroom head screw M6x10-A2-70	✓			
38083162002	1	Product Supporter top NSF cpl				
57629520000	4	Countersunk Screw DIN 963-M5x10-A2-70	✓			
95972950002	0,001	Loctite 243 50 ml 95972950002	✓			
57630620000	1	Countersunk screw DIN963 M6x12-A2-70	✓			
38116977001	1	Carriage Foot high cpl.				
57432300000	4	Hexagon screw DIN933 M8x30 A2-70	✓			
57767080000	4	Spring lock washer DIN128-A8-A2	✓			
38117001000	1	Gas pressure spring carriage 600 cpl	✓		✓	
57743450000	2	Cylinder screw DIN912 M6x16-A2-70	✓			
57744870000	2	Protective plug 10x5,2x3,1-PE	✓		✓	
38083132001	1	Product Holder cpl. VSI				
38112386000	1	Product Holder Guide NSF cpl	✓			
38007001001	1	Axis 18x342	✓			
60540276102	1	Holding Down Device ass.	✓			

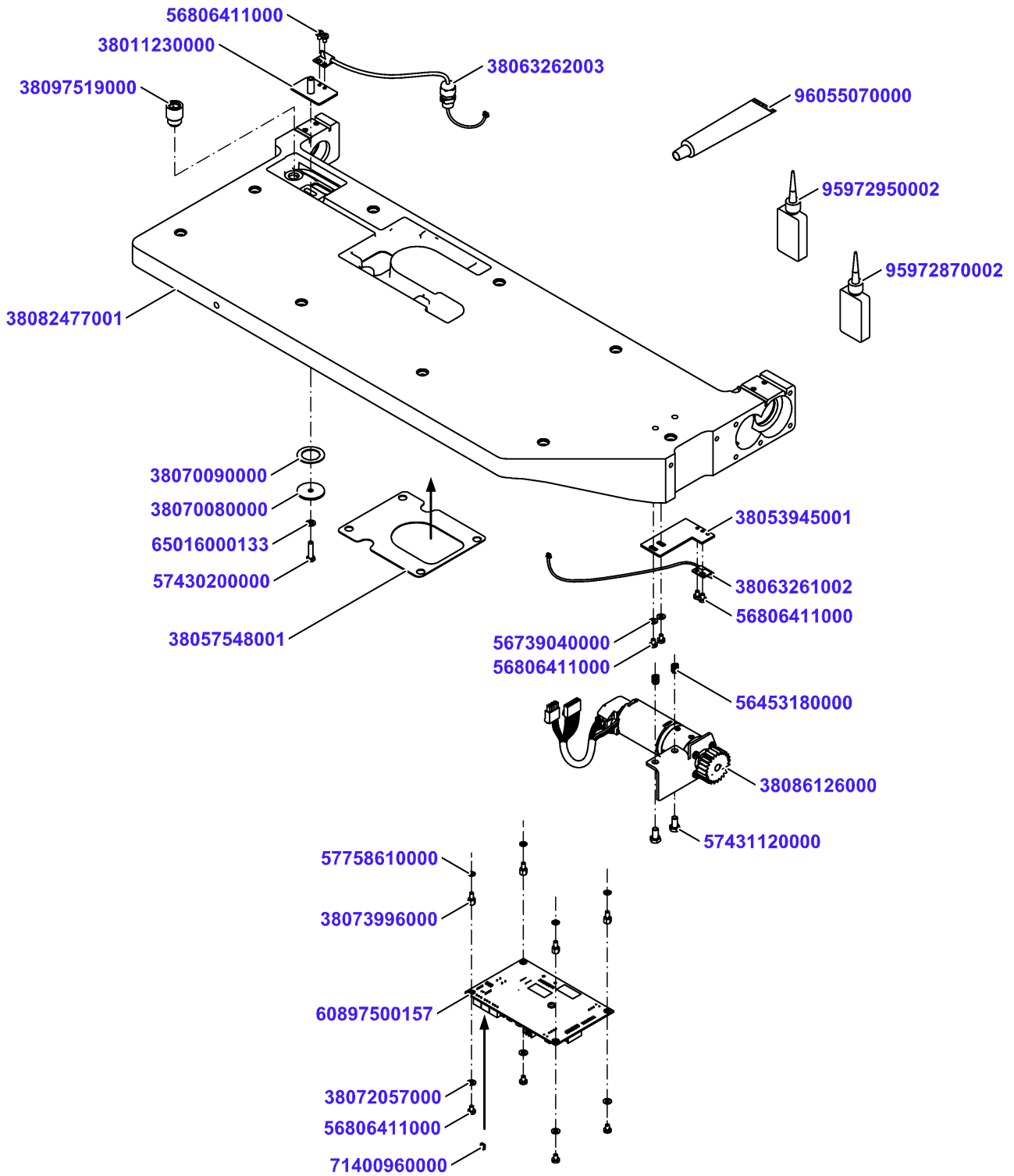
Carriage 600 cpl.



Carriage 600 cpl.

Material No.	Qty	Material description	available for order	Wear part	Recomm. sp. part	Metr. relevance
38082477001	1	Carriage 600 cast machined	✓			
56453130000	9	Thread insert M5x7,5-A2	✓			
56366420002	1	Self-Aligning Ball Bearing 2202	✓			
57778700000	1	Retaining ring DIN472-35x1,5	✓			
50003410000	1	Wiper ring 30x20x7	✓			
38104587001	1	Feedspindle 721xTR20X12 ass.	✓			
50003410000	1	Wiper ring 30x20x7	✓			
56368320002	1	Angular bearing double-row 15x35x15,9	✓			
57778700000	1	Retaining ring DIN472-35x1,5	✓			
38074013000	1	Shim ring DIN988-25x35x0,1	✓			
38103484000	1	Gear Wheel	✓			
96055070000	0,001	Grease PARALIQ GA 343	✓			
38105347000	1	Parallel key DIN6885-A 5x3x14	✓			
60540260801	1	Washer	✓			
57630530000	1	Countersunk Screw DIN963 M5x12-A2-70	✓			
95972950002	0,001	Loctite 243 50 ml 95972950002	✓			
60540261000	1	bolt	✓			
38078241000	1	Gear Wheel	✓			
56360600000	2	Grooved Ball Bearing DIN625 10x26x8	✓			
57773750000	1	Retaining Ring DIN471-10x1 57773750000	✓			
38057735002	1	Guide Rail 600er	✓			
57630420000	4	Countersunk Screw DIN963-M4x8-A2-70	✓			
71004520000	1	Flat Cabel Holder 3484-1000	✓			
38053948002	1	Flange	✓			
38060163002	1	Sealing	✓		✓	
57629520000	5	Countersunk Screw DIN 963-M5x10-A2-70	✓			
38061585002	1	sealing	✓		✓	
60540268301	1	guide shaft	✓			
38139814000	1	Screw DIN963 M6x12-A2 - Precote 80-8	✓		✓	
38100136001	1	Flat Seal Carriage Plate 600	✓		✓	
38057723003	1	Cover 378x119,1x2	✓			
38057740001	1	Seal long	✓		✓	
56972480000	11	Mushroom head screw M4x8-A2-70 Tuflok	✓			

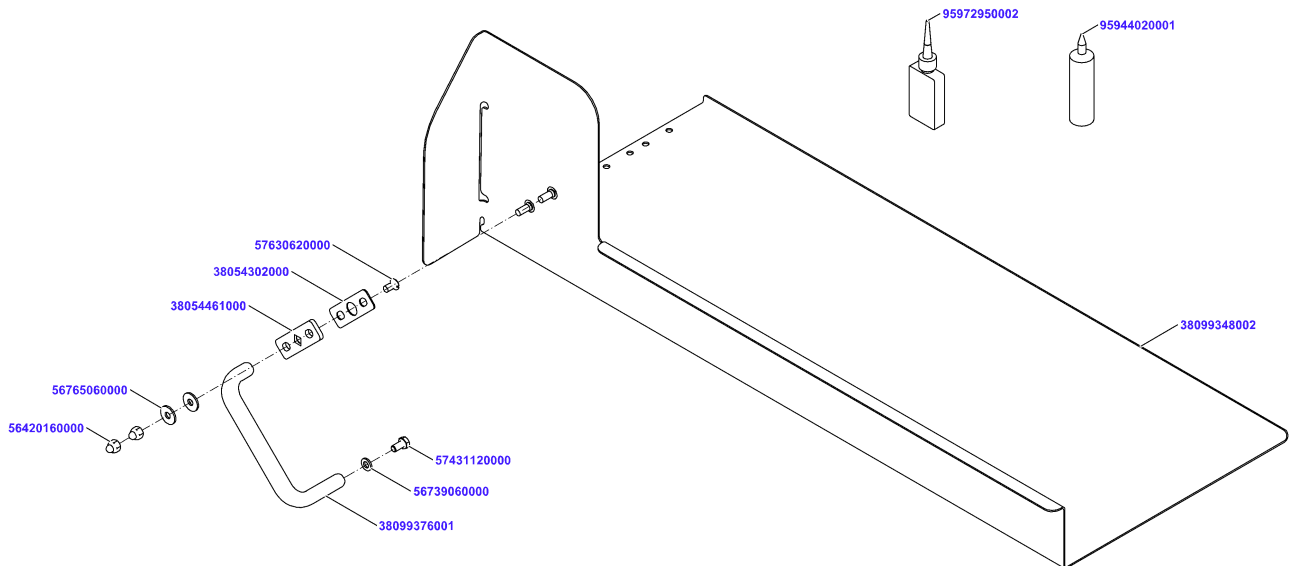
Carriage 600 cpl.



Carriage 600 cpl.

Material No.	Qty	Material description	available for order	Wear part	Recomm. sp. part	Metr. relevance
38082477001	1	Carriage 600 cast machined	✓			
56453180000	2	Threaded insert Heli-Coil D M6x9	✓			
96055070000	0,001	Grease PARALIQ GA 343	✓			
95972950002	0,001	Loctite 243 50 ml 95972950002	✓			
38053945001	1	Board	✓			
38063261002	1	Sensor product feeding 1 VSI	✓			
56806411000	4	Oval-Head Screw ISO 14583-M4x6-T20-A2-70	✓			
56739040000	2	Washer DIN 125-A 4.3-A2-70 56739040000	✓			
38011230000	1	Board cpl	✓			
38063262003	1	Sensor product feeding 2 VSI	✓			
56806411000	2	Oval-Head Screw ISO 14583-M4x6-T20-A2-70	✓			
38070080000	1	Washer	✓			
38070090000	1	Sealing	✓		✓	
57430200000	1	Hexagon Screw DIN 933-M5x20-A2-70	✓			
65016000133	1	Washer 5-PA 65016000133	✓			
38097519000	1	Sleeve 18 x 10 x 24.25	✓			
95972870002	0,001	Loctite 638 95972870002	✓			
38086126000	1	Motor Product Feeding BG42x15 cpl	✓			
57431120000	2	Hexagon Screw DIN 933-M6x12-A2-7	✓			
60897500157	1	PCBAP MC 3ph 2ch lv bus	✓			
71400960000	1	SHORT CIRCUIT BRACKET 3131 731000406	✓		✓	
57758610000	4	Toothed washer DIN6797-A 4,3-Fst	✓			
38073996000	4	Distance bolt SW7x6 M4-M4 In-Out	✓			
56806411000	4	Oval-Head Screw ISO 14583-M4x6-T20-A2-70	✓			
38072057000	4	Washer DIN 125-A 4,3-PA6 38072057000	✓			
38057548001	1	Seal	✓		✓	

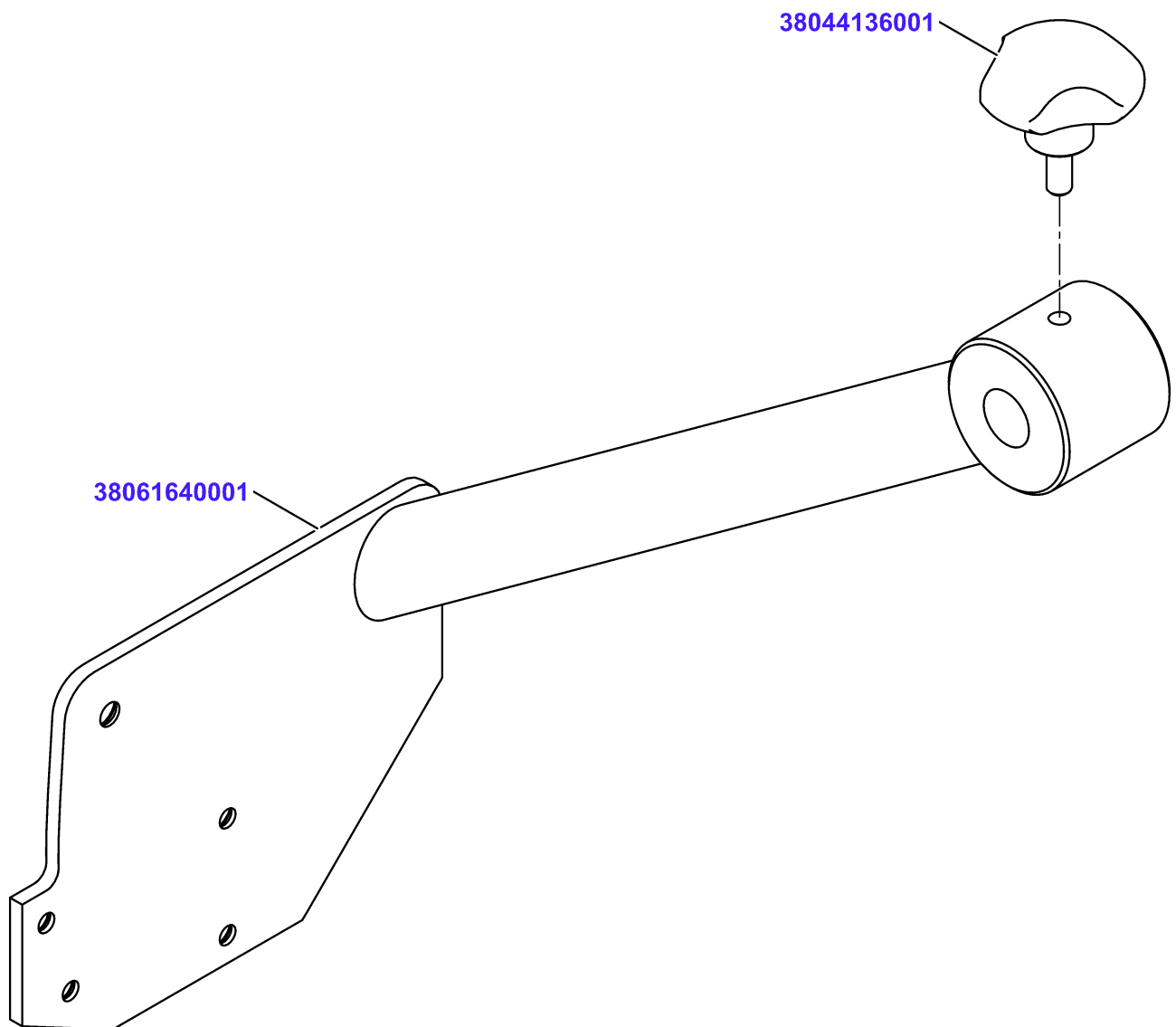
Carriage Plate Template preass



Carriage Plate Template press

Material No.	Qty	Material description	available for order	Wear part	Recomm. sp. part	Metr. relevance
38099348002	1	Carriage Plate welded	✓			
38099376001	1	Handle	✓			
38054461000	1	Plate	✓			
38054302000	1	Gasket	✓		✓	
95944020001	10	Silicone Rubber Elastosil E41 90ml	✓			
57630620000	1	Countersunk screw DIN963 M6x12-A2-70	✓			
95972950002	0,001	Loctite 243 50 ml 95972950002	✓			
56420160000	2	Cap nut DIN986-M6-A2	✓			
56765060000	2	Washer DIN9021-6-A2	✓			
57431120000	1	Hexagon Screw DIN 933-M6x12-A2-7	✓			
56739060000	1	Washer DIN125-A-6-A2	✓			

Product Supporter top NSF cpl

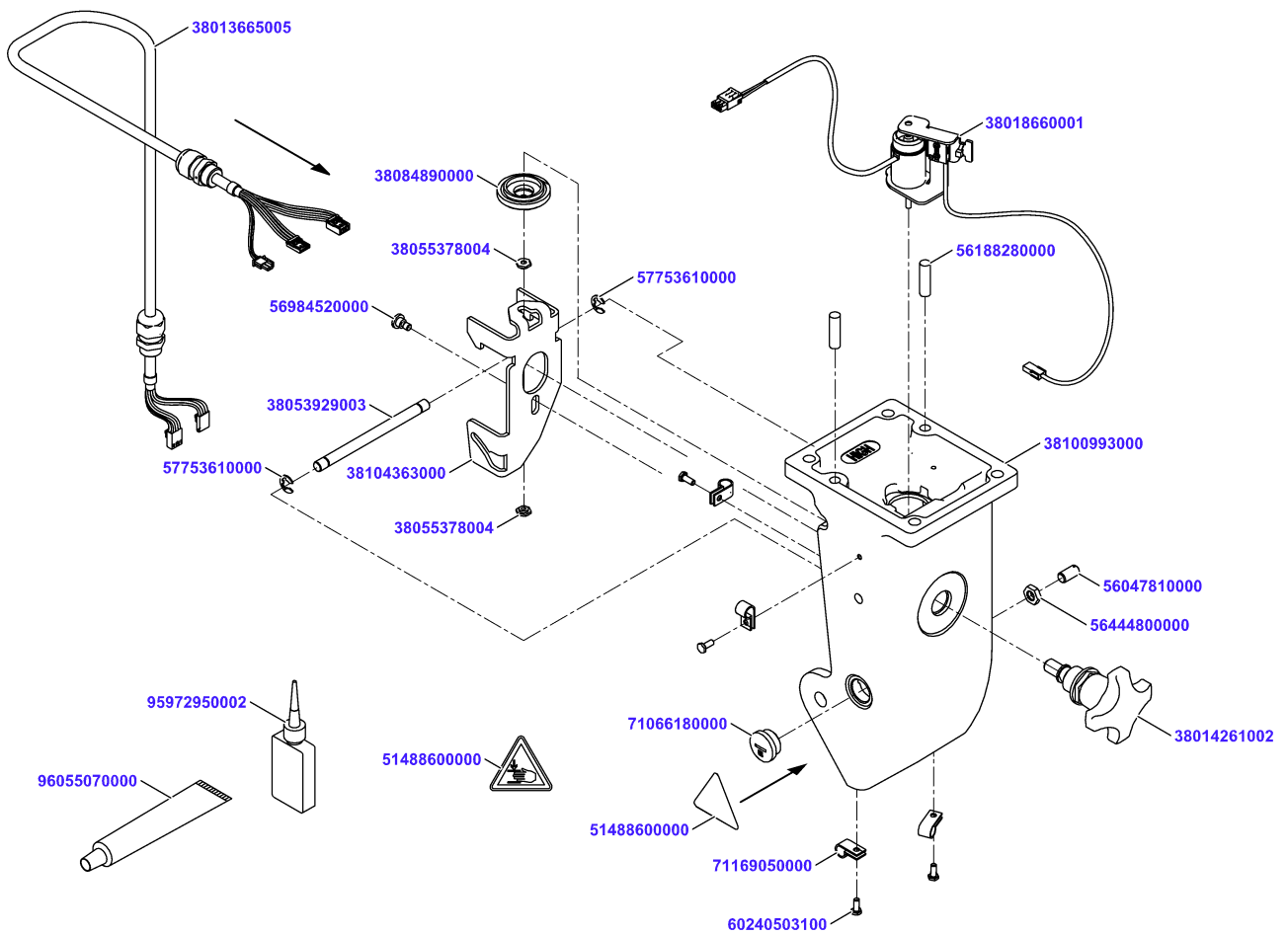


Product Supporter top NSF cpl

Material No.	Qty	Material description
38061640001	1	Mounting welded
38044136001	1	Handle with screw M6 x 14,75

available for order
Wear part
Recomm. sp. part
Metr. relevance

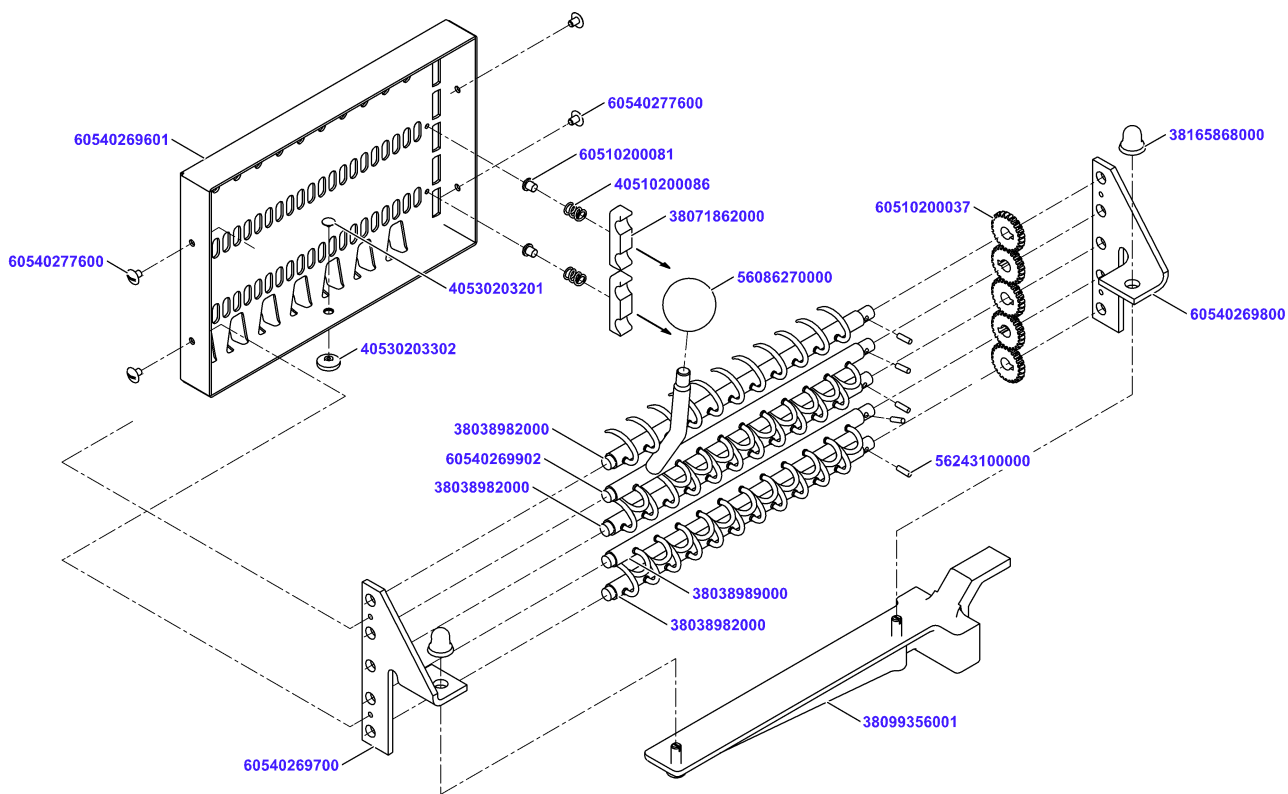
Carriage Foot high cpl.



Carriage Foot high cpl.

Material No.	Qty	Material description	available for order	Wear part	Recomm. sp. part	Metr. relevance
38100993000	1	Carriage Foot high hygienic mach	✓			
56188280000	2	Cylindrical pin EN 22338-8m6x28-A2	✓			
56047810000	1	Set screw DIN551 M8x16-PA 66	✓			
56444800000	1	Hexagon nut DIN439-M8-A2	✓			
38018660001	1	Magnet preass	✓	✓		
38084890000	1	Cap preass	✓			
38055378004	2	Hexagon nut	✓			
95972950002	0,001	Loctite 243 50 ml 95972950002	✓			
38104363000	1	Interlock	✓			
96055070000	0,001	Grease PARALIQ GA 343	✓			
56984520000	1	Pan head screw DIN923 M5x4A2-70	✓			
71066180000	1	Blind plug BLK- M20	✓			
38014261002	1	Handle preass.	✓			
38053929003	1	Stop Bolt	✓			
57753610000	2	Retaining Washer DIN6799-7 57753610000	✓			
71169050000	4	Cable Clamp nylon 7,4mm NK-5N	✓			
38013665005	1	Ka Rd 12x24AWG 0,87m	✓			
60240503100	4	Hexagon screw DIN 933 M4x10-A2-70	✓			
51488600000	1	Warning Plate Hand Injury 7.29K	✓			

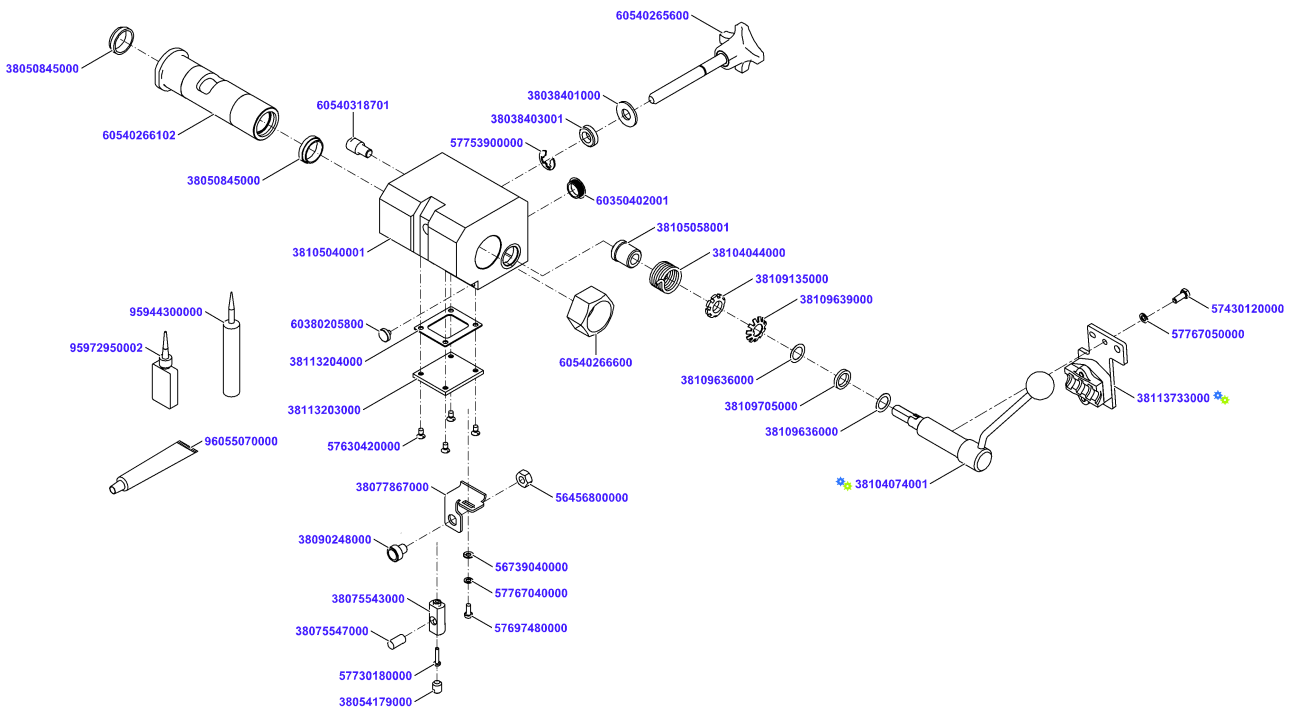
Product Holder cpl. VSI



Product Holder cpl. VSI

Material No.	Qty	Material description	available for order	Wear part	Recomm. sp. part	Metr. relevance
60510200081	2	collar stud	✓			
60540269700	1	Side frame left	✓			
60540269800	1	Side frame right	✓			
38038982000	3	Gripper Shaft cpl.	✓			
38038989000	1	Gripper Shaft cpl.	✓			
60540269902	1	Gripper Shaft cpl	✓			
56086270000	1	Ball knob DIN319 M8x32 I	✓			
56243100000	5	Cylindrical pin DIN 7-3h11x10-A2-70	✓			
60510200037	5	Pinion	✓			
40510200086	2	Pressure spring	✓			
38071862000	2	brake pad	✓			
60540277600	4	self-tapping screw	✓			
38099356001	1	Holder preass.	✓			
38165868000	2	Hygienic Cap Nut M6 with Precote 30-8	✓			
40530203201	1	push button	✓			
40530203302	1	sliding piece	✓			

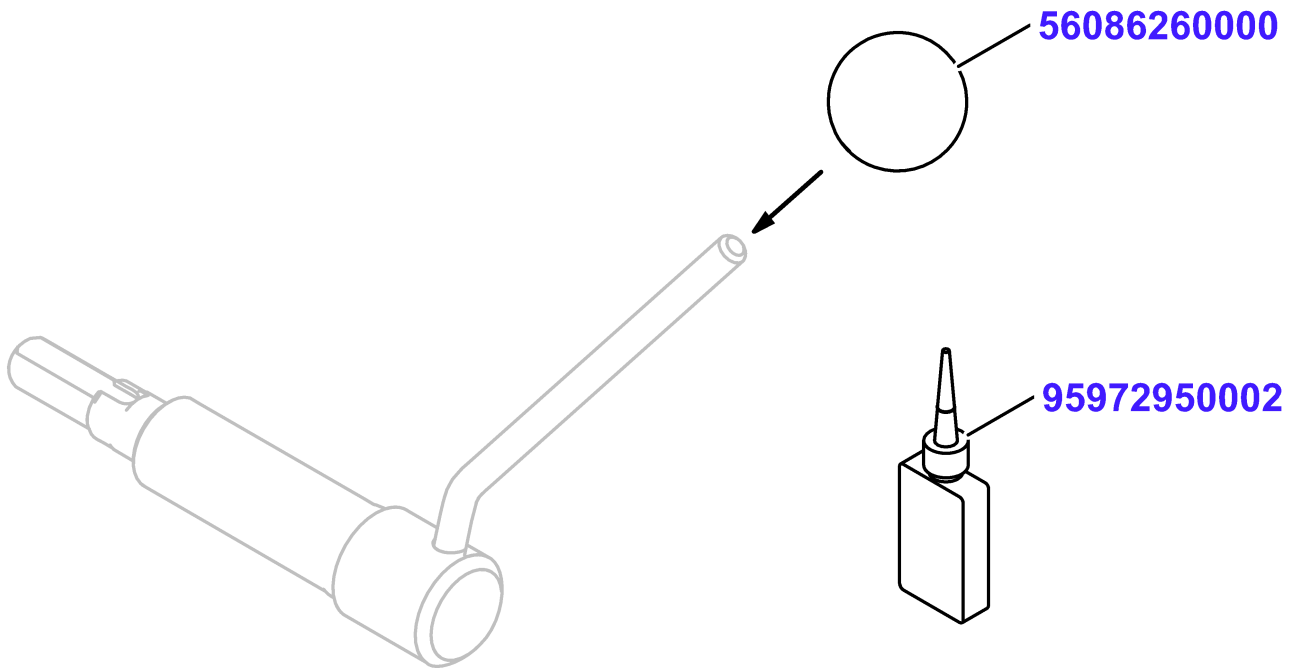
Product Holder Guide NSF cpl



Product Holder Guide NSF cpl

Material No.	Qty	Material description	available for order	Wear part	Recomm. sp. part	Metr. relevance
38105040001	1	Product Holder Guide	✓			
60540265600	1	locking lever mount.	✓			
38038401000	1	washer	✓			
38038403001	1	Bushing 19,1x10,7x5	✓			
57753900000	1	Retaining Washer DIN6799-9 57753900000	✓			
60540266102	1	Bushing complete	✓	✓		
38050845000	2	Deflector Ring	✓			
60540266600	1	hex nut	✓			
38109705000	1	Shaft seal 12x18x3	✓			
38109636000	1	Shim ring DIN988-12x18x0,2	✓			
38104074001	1	Bolt NSF cpl	✓			
38109636000	1	Shim ring DIN988-12x18x0,2	✓			
38109639000	1	Safety plate DIN5406-MB1	✓			
38109135000	1	Grooved nut M12 x 0.5	✓			
38105058001	1	Bushing 19,5/18x10,2x21	✓			
38104044000	1	Torsion spring left	✓			
96055070000	0,005	Grease PARALIQ GA 343	✓			
38113733000	1	Holder preassembled	✓			
57767050000	1	Spring lock washer DIN128-A5-FSt	✓			
57430120000	1	Hexagon Screw DIN 933-M5x12-A2-70	✓			
60350402001	1	Protective plug	✓			
95944300000	0,005	Kitchen silicone ELASTO4710	✓			
38113203000	1	cover	✓			
38113204000	1	Seal 47x40x1	✓			
57630420000	4	Countersunk Screw DIN963-M4x8-A2-70	✓			
38077867000	1	Magnet Base	✓			
38090248000	1	Magnet Vacodym 370 wz round 10x4 preass	✓		✓	
56456800000	1	Hexagon Nut DIN 934-M8-A2-70	✓			
57697480000	1	Cylinder screw DIN84 M4x10-A2-70	✓			
56739040000	1	Washer DIN 125-A 4.3-A2-70 56739040000	✓			
57767040000	1	Spring lock washer DIN128-A4-FSt	✓			
38075543000	1	Mounting Pin	✓			
57730180000	1	Oval-head screw ISO14583 M3x16-A2-70-T10	✓			
38075547000	1	Parallel Pin 8x15	✓			
38054179000	1	Set screw DIN438 M8x10-A2-70	✓			
60380205800	1	SLIDE PIN	✓			
60540318701	1	stop pin	✓			
95972950002	0,001	Loctite 243 50 ml 95972950002	✓			

Bolt NSF cpl

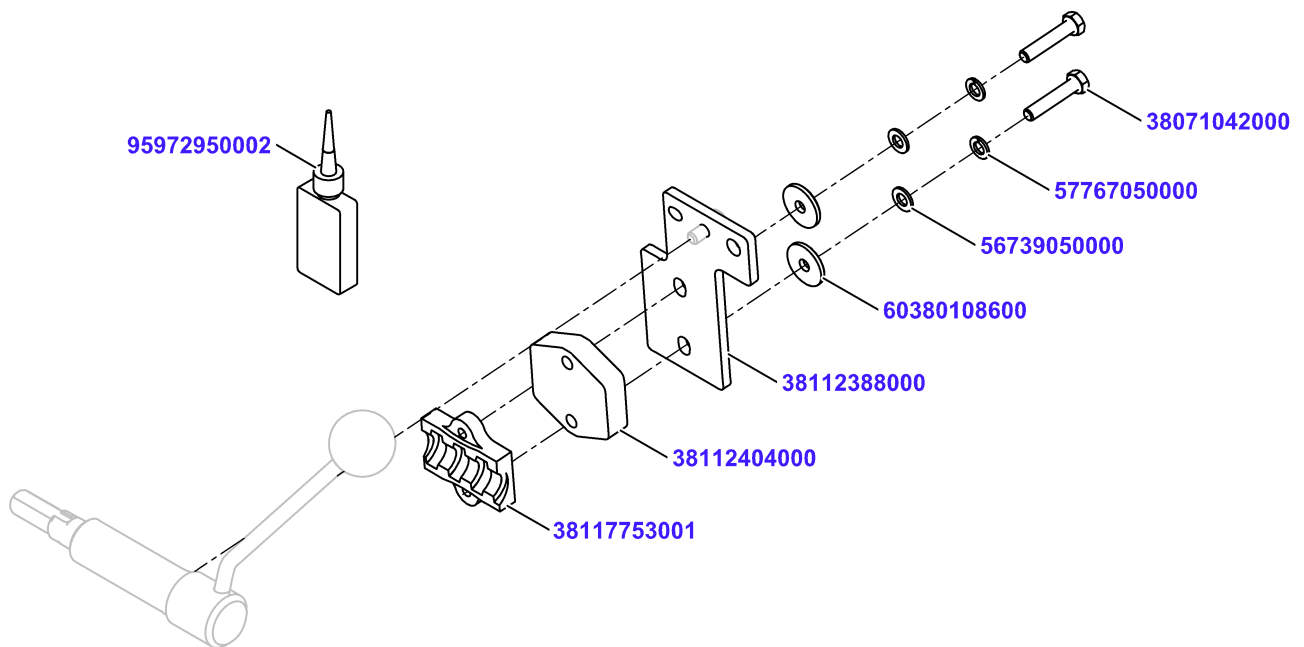


Bolt NSF cpl

Material No.	Qty	Material description
56086260000	1	Ball knob DIN319 M6x25 I
95972950002	0,001	Loctite 243 50 ml 95972950002

available for order
Wear part
Recomm. sp. part
Metr. relevance

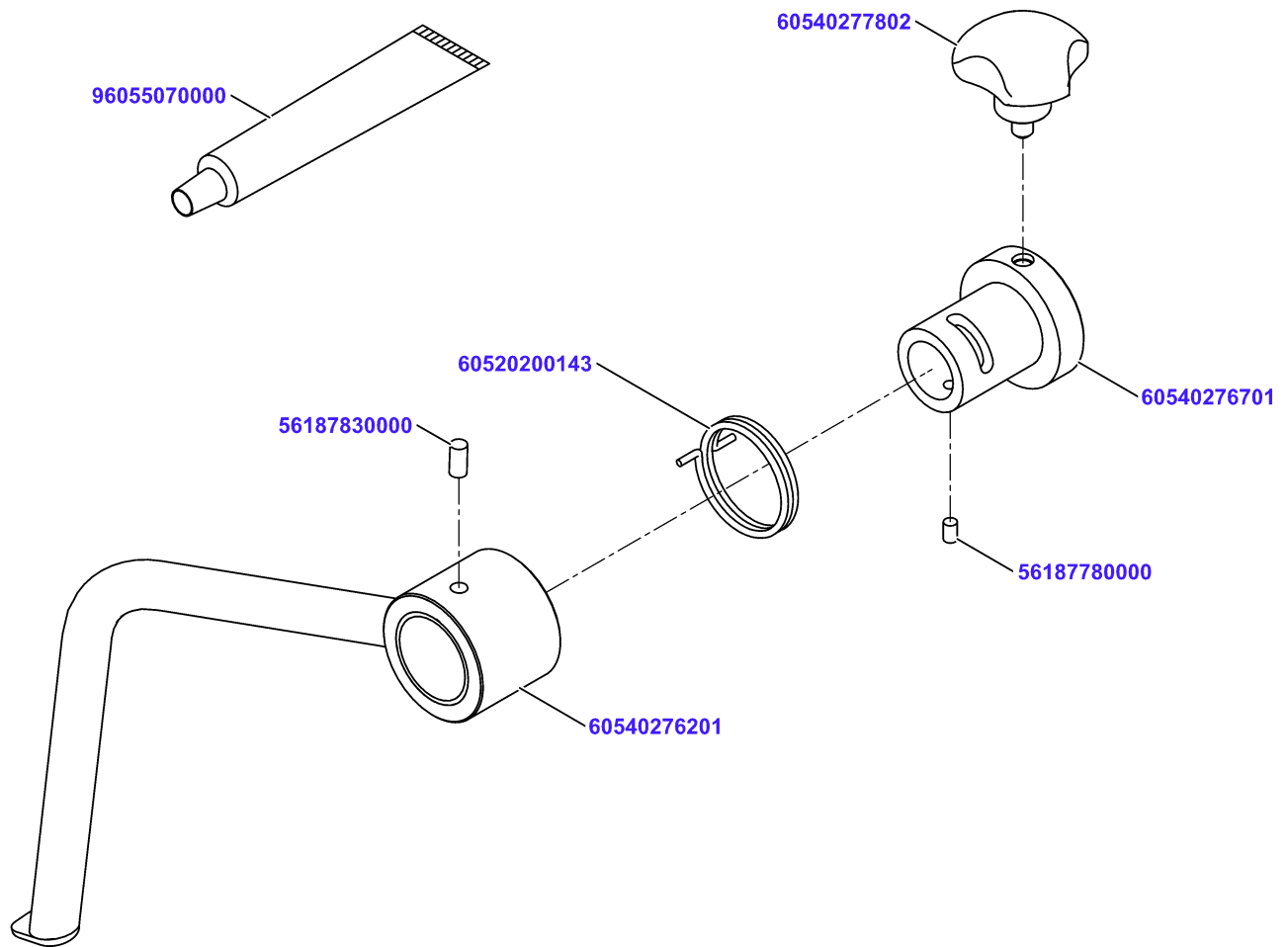
Holder preassembled










Holder preassembled

Material No.	Qty	Material description	available for order	Wear part	Recomm. sp. part	Metr. relevance
38112388000	1	Holder	✓			
38112404000	1	Spacer plate 40x40x10	✓			
38117753001	1	Nut Plate TR20X12P4	✓	✓	✓	
38071042000	2	Hexagon Screw DIN 933 M5x25 A2-70	✓			
60380108600	2	Washer	✓			
56739050000	2	Washer DIN 125-A 5_3 -A2-70 56739050000	✓			
57767050000	2	Spring lock washer DIN128-A5-FSt	✓			
95972950002	0,001	Loctite 243 50 ml 95972950002	✓			

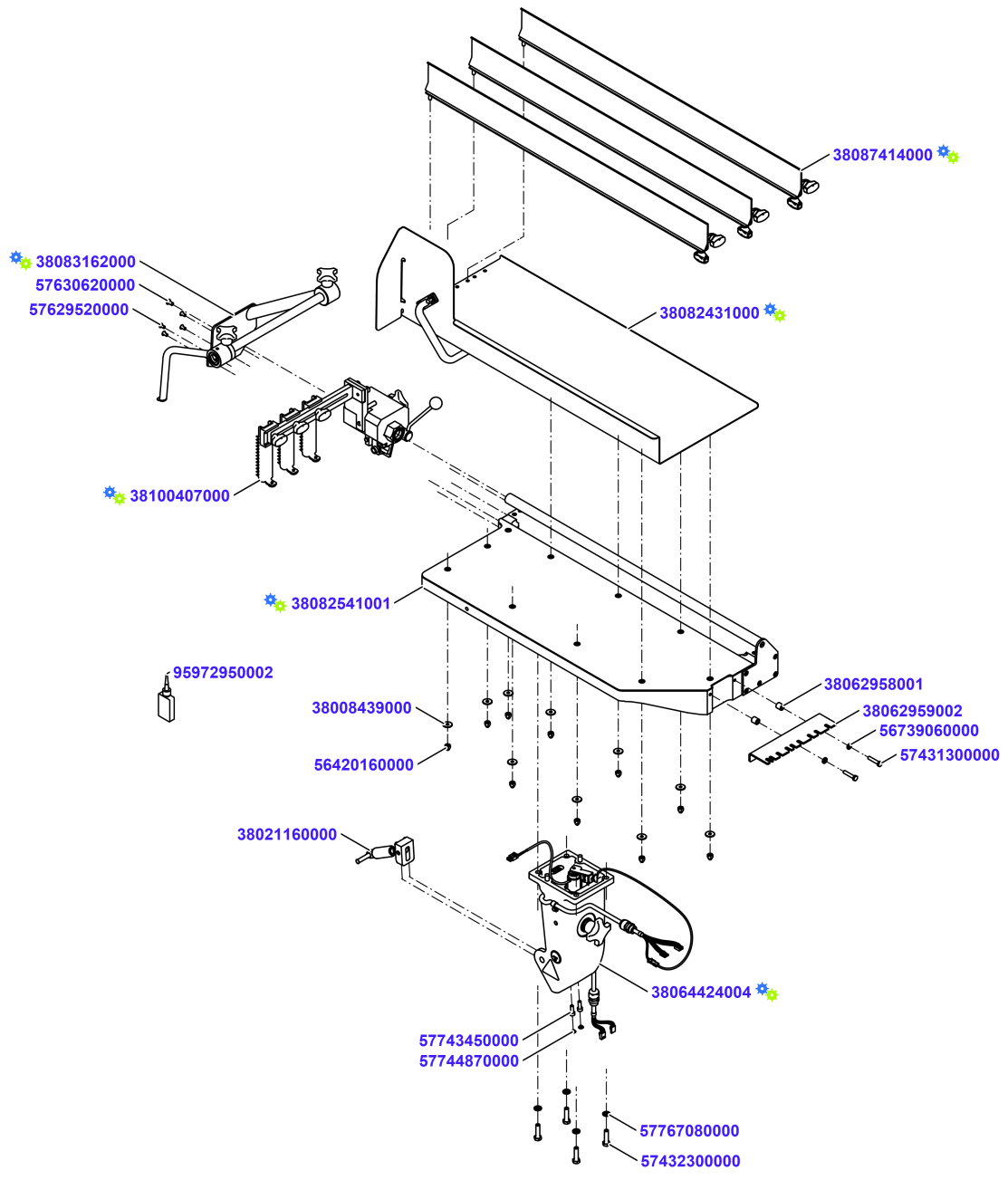
Holding Down Device ass.



Holding Down Device ass.

Material No.	Qty	Material description	available for order	Wear part	Recomm. sp. part	Metr. relevance
60540276201	1	Holding Down Device preass.				
56187830000	1	Cylindrical pin EN 22338-5m6x10-A2				
60540276701	1	hub				
60540277802	1	Handle with screw M6 x 13,55				
56187780000	1	Cylindrical pin EN 22338-4m6x6-A2				
60520200143	1	torsion spring				
96055070000	0,005	Grease PARALIQ GA 343				

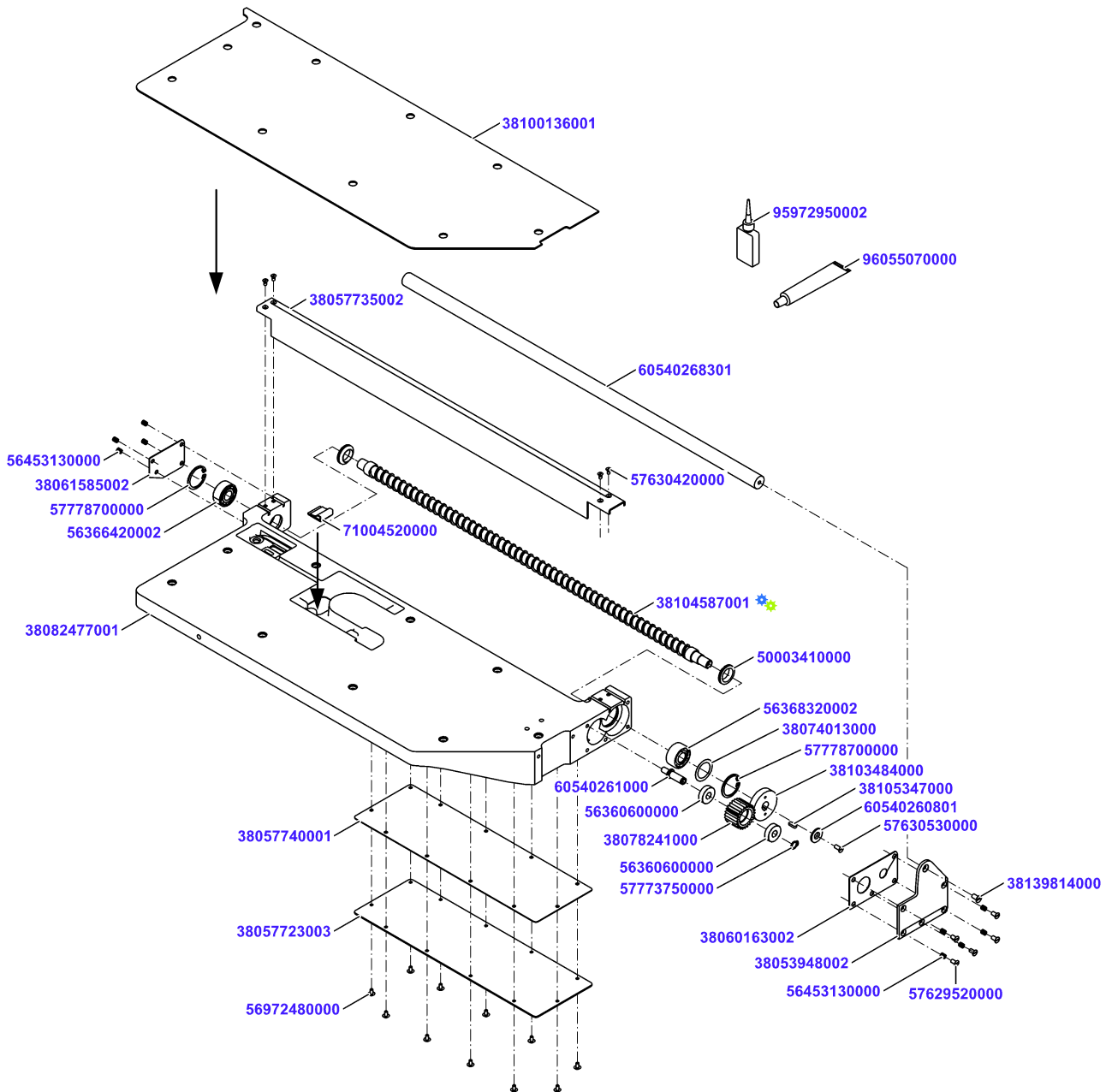
Carriage 600 template



Carriage 600 template

Material No.	Qty	Material description	available for order	Wear part	Recomm. sp. part	Metr. relevance
38082541001	1	Carriage 600 cpl.				
38082431000	1	Carriage Plate Template preass	✓			
56420160000	10	Cap nut DIN986-M6-A2	✓			
38008439000	10	Sealing washer M6	✓		✓	
38100407000	1	Product Holder Template cpl				
38083162000	1	Product Supporter top NSF cpl				
57629520000	4	Countersunk Screw DIN 963-M5x10-A2-70	✓			
95972950002	0,001	Loctite 243 50 ml 95972950002	✓			
57630620000	1	Countersunk screw DIN963 M6x12-A2-70	✓			
38064424004	1	Carriage Foot high cpl				
57432300000	4	Hexagon screw DIN933 M8x30 A2-70	✓			
57767080000	4	Spring lock washer DIN128-A8-A2	✓			
38021160000	1	Gas Spring Carriage 600 cpl	✓		✓	
57743450000	2	Cylinder screw DIN912 M6x16-A2-70	✓			
57744870000	2	Protective plug 10x5,2x3,1-PE	✓		✓	
38087414000	3	metal sheet insert cpl mach	✓			
38062959002	1	Angle	✓			
38062958001	2	Spacer	✓			
57431300000	2	Hexagon Screw DIN 933 M6x30 A2-70	✓			
56739060000	2	Washer DIN125-A-6-A2	✓			

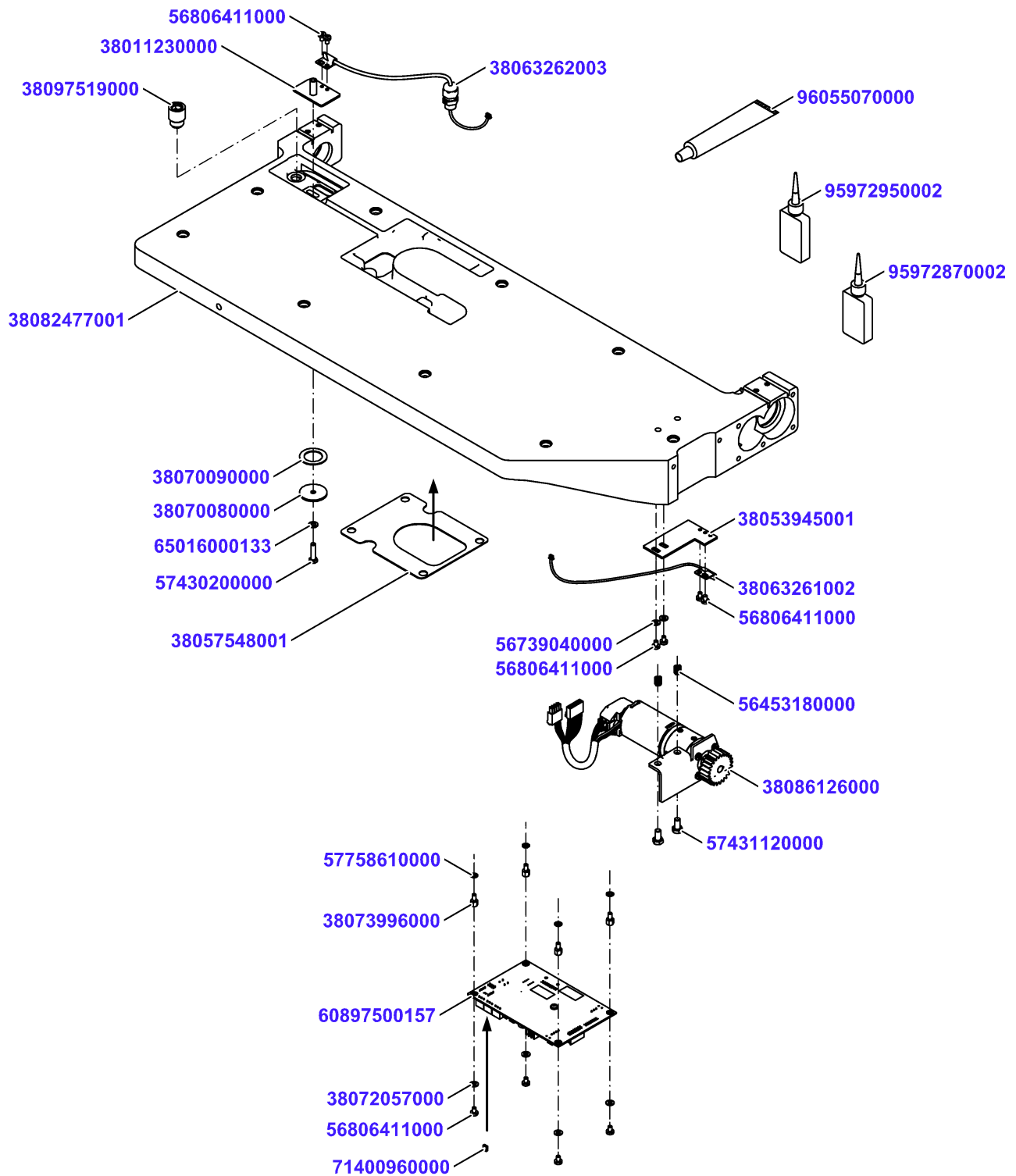
Carriage 600 cpl.



Carriage 600 cpl.

Material No.	Qty	Material description	available for order	Wear part	Recomm. sp. part	Metr. relevance
38082477001	1	Carriage 600 cast machined	✓			
56453130000	9	Thread insert M5x7,5-A2	✓			
56366420002	1	Self-Aligning Ball Bearing 2202	✓			
57778700000	1	Retaining ring DIN472-35x1,5	✓			
50003410000	1	Wiper ring 30x20x7	✓			
38104587001	1	Feedspindle 721xTR20X12 ass.	✓			
50003410000	1	Wiper ring 30x20x7	✓			
56368320002	1	Angular bearing double-row 15x35x15,9	✓			
57778700000	1	Retaining ring DIN472-35x1,5	✓			
38074013000	1	Shim ring DIN988-25x35x0,1	✓			
38103484000	1	Gear Wheel	✓			
96055070000	0,001	Grease PARALIQ GA 343	✓			
38105347000	1	Parallel key DIN6885-A 5x3x14	✓			
60540260801	1	Washer	✓			
57630530000	1	Countersunk Screw DIN963 M5x12-A2-70	✓			
95972950002	0,001	Loctite 243 50 ml 95972950002	✓			
60540261000	1	bolt	✓			
38078241000	1	Gear Wheel	✓			
56360600000	2	Grooved Ball Bearing DIN625 10x26x8	✓			
57773750000	1	Retaining Ring DIN471-10x1 57773750000	✓			
38057735002	1	Guide Rail 600er	✓			
57630420000	4	Countersunk Screw DIN963-M4x8-A2-70	✓			
71004520000	1	Flat Cabel Holder 3484-1000	✓			
38053948002	1	Flange	✓			
38060163002	1	Sealing	✓		✓	
57629520000	5	Countersunk Screw DIN 963-M5x10-A2-70	✓			
38061585002	1	sealing	✓		✓	
60540268301	1	guide shaft	✓			
38139814000	1	Screw DIN963 M6x12-A2 - Precote 80-8	✓		✓	
38100136001	1	Flat Seal Carriage Plate 600	✓		✓	
38057723003	1	Cover 378x119,1x2	✓			
38057740001	1	Seal long	✓		✓	
56972480000	11	Mushroom head screw M4x8-A2-70 Tuflok	✓		✓	

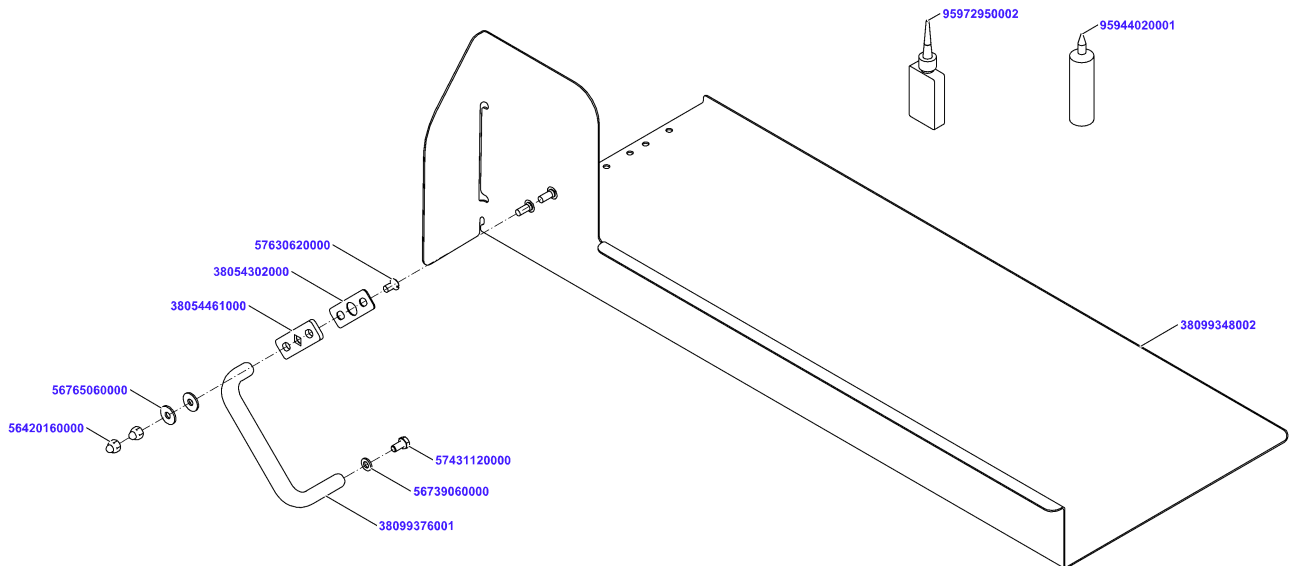
Carriage 600 cpl.



Carriage 600 cpl.

Material No.	Qty	Material description	available for order	Wear part	Recomm. sp. part	Metr. relevance
38082477001	1	Carriage 600 cast machined	✓			
56453180000	2	Threaded insert Heli-Coil D M6x9	✓			
96055070000	0,001	Grease PARALIQ GA 343	✓			
95972950002	0,001	Loctite 243 50 ml 95972950002	✓			
38053945001	1	Board	✓			
38063261002	1	Sensor product feeding 1 VSI	✓			
56806411000	4	Oval-Head Screw ISO 14583-M4x6-T20-A2-70	✓			
56739040000	2	Washer DIN 125-A 4.3-A2-70 56739040000	✓			
38011230000	1	Board cpl	✓			
38063262003	1	Sensor product feeding 2 VSI	✓			
56806411000	2	Oval-Head Screw ISO 14583-M4x6-T20-A2-70	✓			
38070080000	1	Washer	✓			
38070090000	1	Sealing	✓		✓	
57430200000	1	Hexagon Screw DIN 933-M5x20-A2-70	✓			
65016000133	1	Washer 5-PA 65016000133	✓			
38097519000	1	Sleeve 18 x 10 x 24.25	✓			
95972870002	0,001	Loctite 638 95972870002	✓			
38086126000	1	Motor Product Feeding BG42x15 cpl	✓			
57431120000	2	Hexagon Screw DIN 933-M6x12-A2-7	✓			
60897500157	1	PCBAP MC 3ph 2ch lv bus	✓			
71400960000	1	SHORT CIRCUIT BRACKET 3131 731000406	✓		✓	
57758610000	4	Toothed washer DIN6797-A 4,3-Fst	✓			
38073996000	4	Distance bolt SW7x6 M4-M4 In-Out	✓			
56806411000	4	Oval-Head Screw ISO 14583-M4x6-T20-A2-70	✓			
38072057000	4	Washer DIN 125-A 4,3-PA6 38072057000	✓			
38057548001	1	Seal	✓		✓	

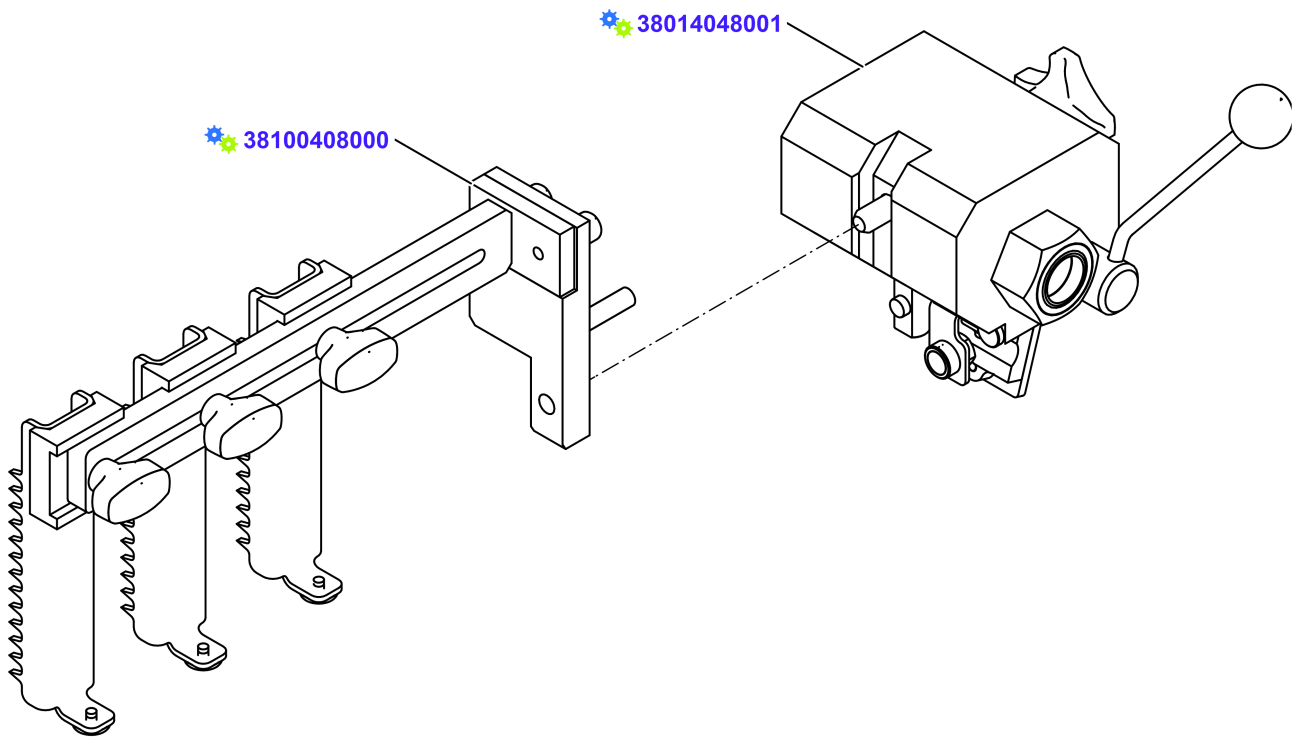
Carriage Plate Template preass



Carriage Plate Template press



Material No.	Qty	Material description	available for order	Wear part	Recomm. sp. part	Metr. relevance
38099348002	1	Carriage Plate welded	✓			
38099376001	1	Handle	✓			
38054461000	1	Plate	✓			
38054302000	1	Gasket	✓		✓	
95944020001	10	Silicone Rubber Elastosil E41 90ml	✓			
57630620000	1	Countersunk screw DIN963 M6x12-A2-70	✓			
95972950002	0,001	Loctite 243 50 ml 95972950002	✓			
56420160000	2	Cap nut DIN986-M6-A2	✓			
56765060000	2	Washer DIN9021-6-A2	✓			
57431120000	1	Hexagon Screw DIN 933-M6x12-A2-7	✓			
56739060000	1	Washer DIN125-A-6-A2	✓			

Product Holder Template cpl

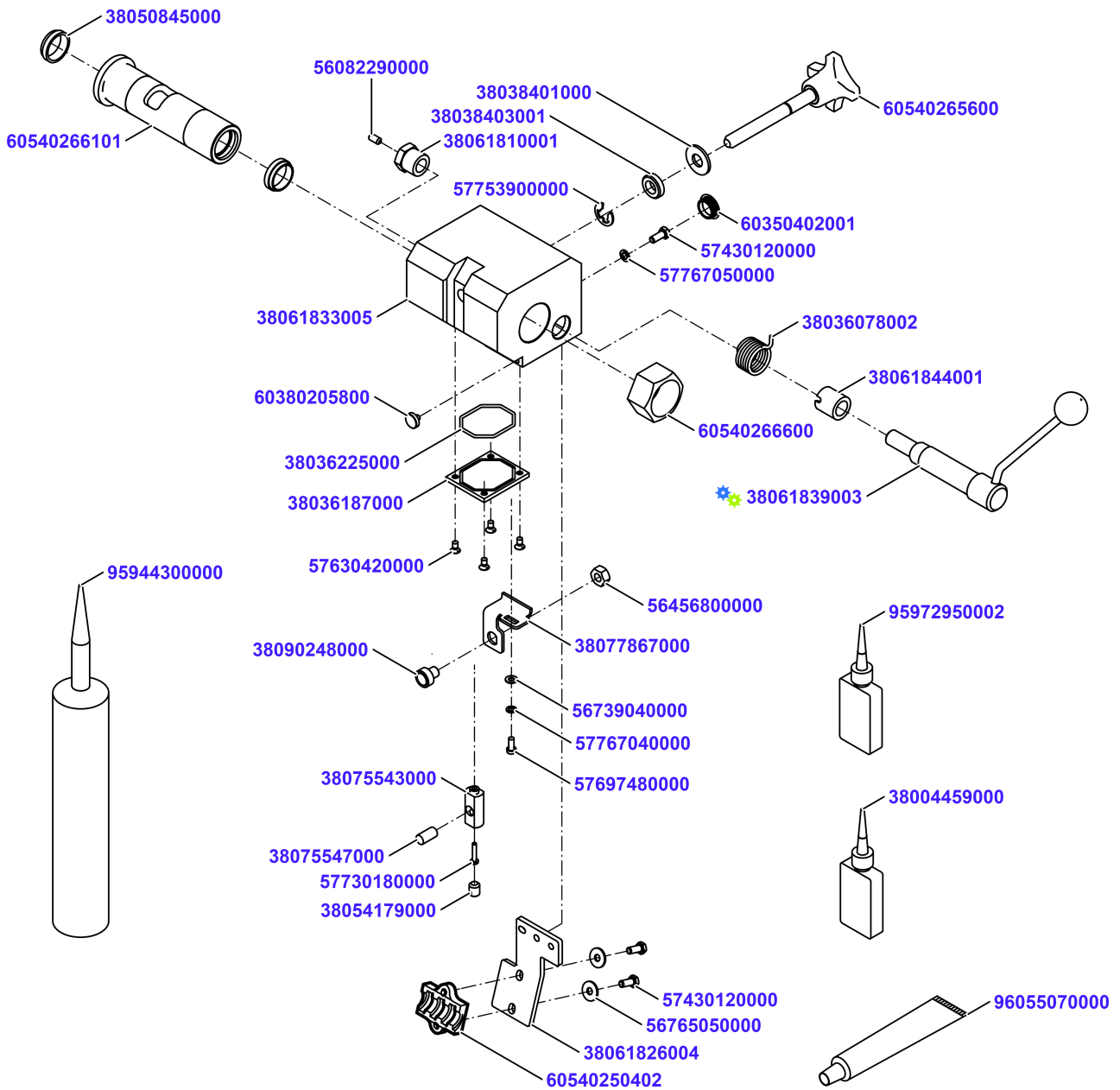


Product Holder Template cpl

Material No.	Qty	Material description
38014048001	1	Product Holder Guide NSF cpl
38100408000	1	Product Holder cpl. Carriage guide ruler

available for order	Wear part	Recomm. sp. part	Metr. relevance
			
			

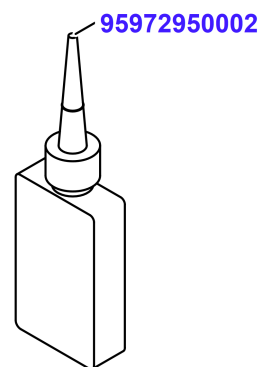
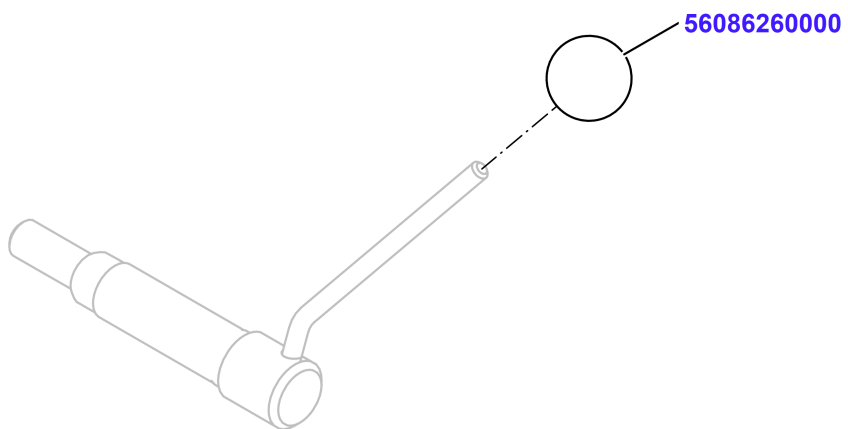
Product Holder Guide NSF cpl



Product Holder Guide NSF cpl

Material No.	Qty	Material description	available for order	Wear part	Recomm. sp. part	Metr. relevance
38061833005	1	Product Holder Guide	✓			
60540265600	1	locking lever mount.	✓			
38038401000	1	washer	✓			
38038403001	1	Bushing 19,1x10,7x5	✓			
57753900000	1	Retaining Washer DIN6799-9 57753900000	✓			
60540266101	1	Bushing complete	✓	✓	✓	
38050845000	2	Deflector Ring	✓			
60540266600	1	hex nut	✓			
38061839003	1	Bolt NSF cpl	✓			
38061844001	1	Sleeve	✓			
38036078002	1	torsion spring left	✓			
96055070000	0,005	Grease PARALIQ GA 343	✓			
38061810001	1	Screw Nut	✓			
38004459000	0,001	Loctite 648	✓			
56082290000	1	Set screw DIN438 M5x10-A2-70	✓			
95972950002	0,001	Loctite 243 50 ml 95972950002	✓			
38061826004	1	Holder	✓			
60540250402	1	Nut Plate	✓	✓	✓	
56765050000	2	Washer DIN 9021-5_3-A2-70 56765050000	✓			
57767050000	1	Spring lock washer DIN128-A5-FSt	✓			
57430120000	3	Hexagon Screw DIN 933-M5x12-A2-70	✓			
60350402001	1	Protective plug	✓			
95944300000	1	Kitchen silicone ELASTO4710	✓			
38036187000	1	cover	✓			
38036225000	1	seal	✓		✓	
57630420000	4	Countersunk Screw DIN963-M4x8-A2-70	✓			
38077867000	1	Magnet Base	✓			
38090248000	1	Magnet Vacodym 370 wz round 10x4 preass	✓		✓	
56456800000	1	Hexagon Nut DIN 934-M8-A2-70	✓			
57697480000	1	Cylinder screw DIN84 M4x10-A2-70	✓			
56739040000	1	Washer DIN 125-A 4.3-A2-70 56739040000	✓			
57767040000	1	Spring lock washer DIN128-A4-FSt	✓			
38075543000	1	Mounting Pin	✓			
57730180000	1	Oval-head screw ISO14583 M3x16-A2-70-T10	✓			
38075547000	1	Parallel Pin 8x15	✓			
38054179000	1	Set screw DIN438 M8x10-A2-70	✓			
60380205800	1	SLIDE PIN	✓			

Bolt NSF cpl

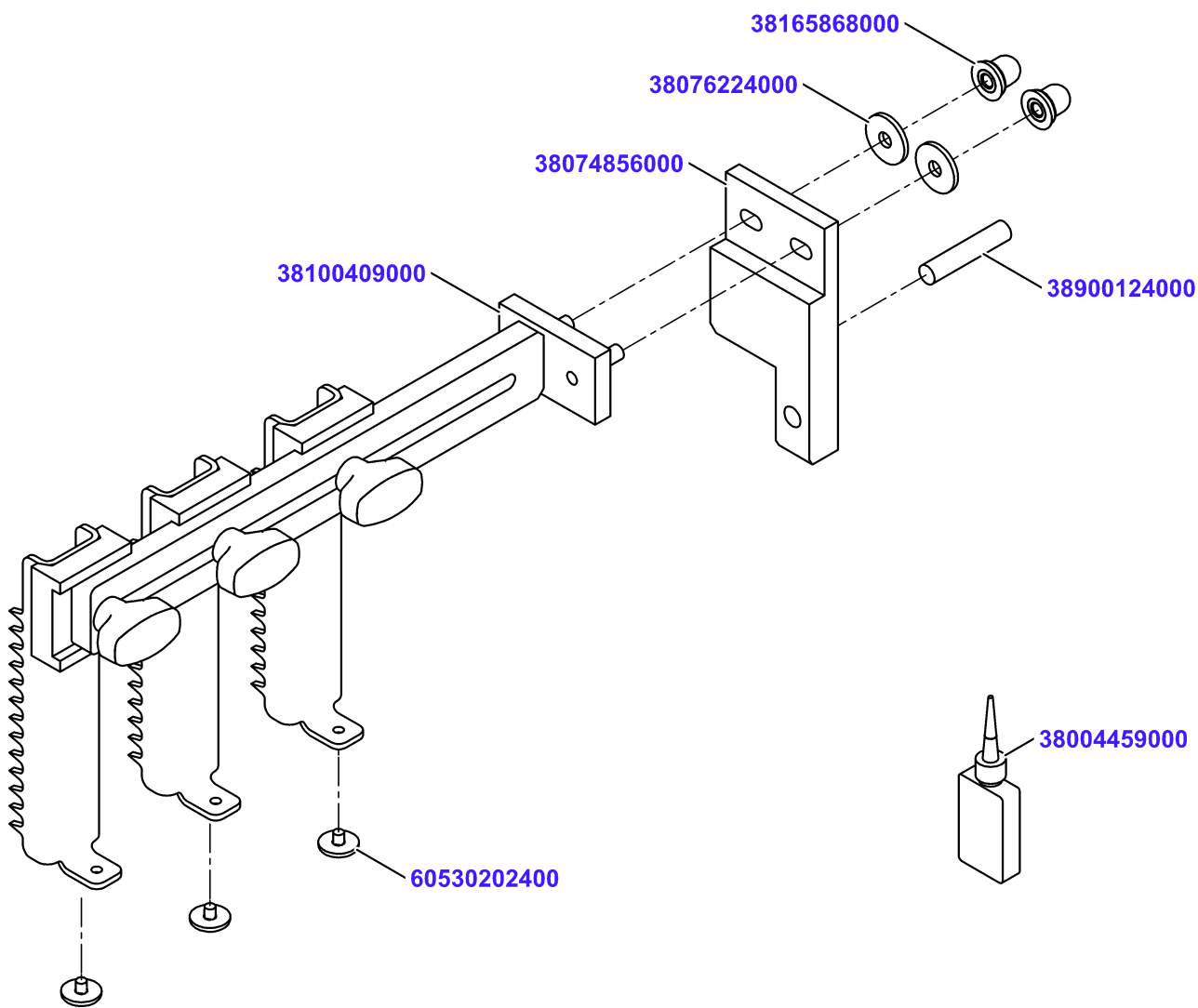


Bolt NSF cpl








Material No.	Qty	Material description
56086260000	1	Ball knob DIN319 M6x25 I
95972950002	0,001	Loctite 243 50 ml 95972950002

available for order
Wear part
Recomm. sp. part
Metr. relevance

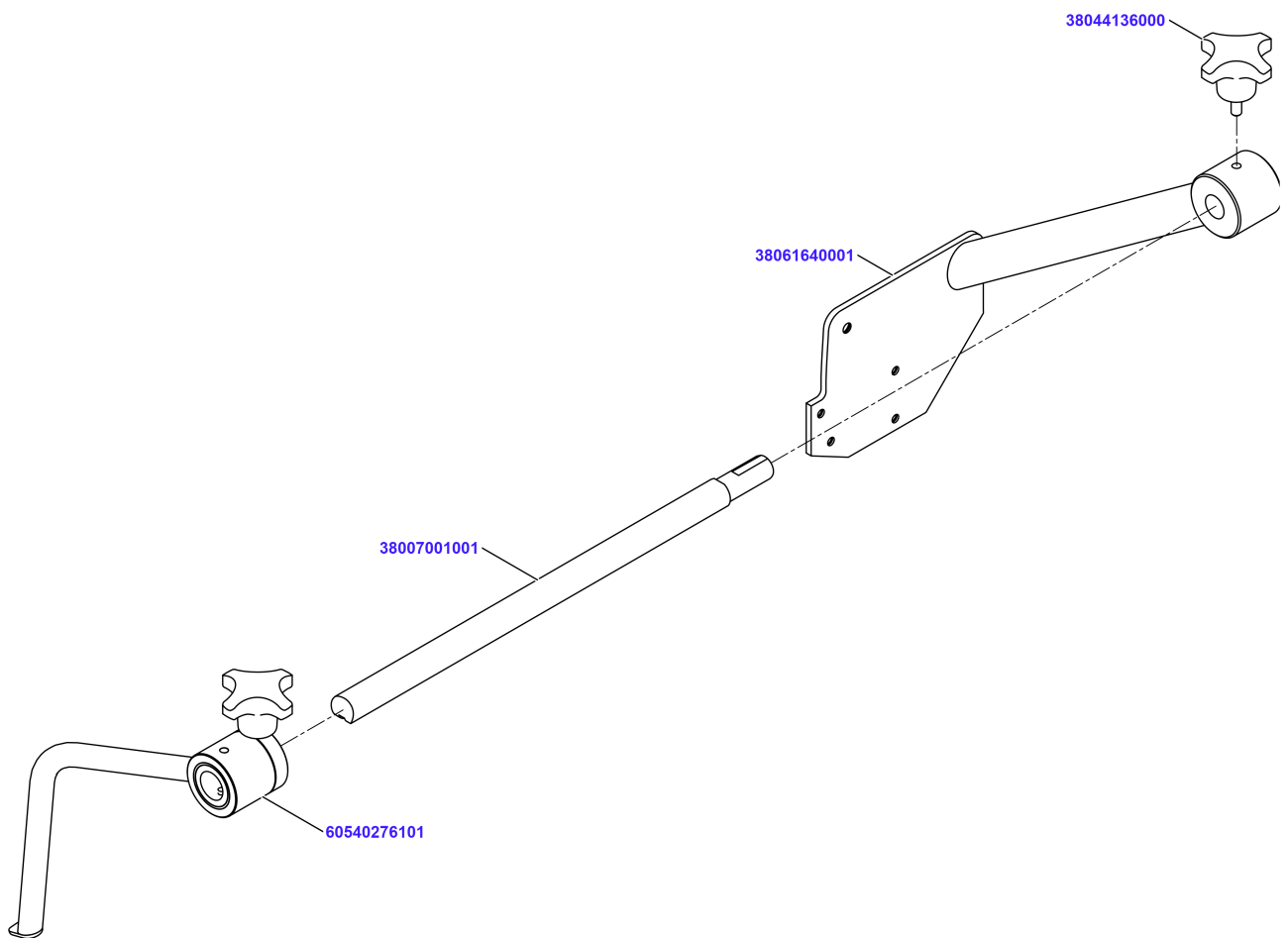
Product Holder cpl. Carriage guide ruler



Product Holder cpl. Carriage guide ruler

Material No.	Qty	Material description	available for order	Wear part	Recomm. sp. part	Metr. relevance
38100409000	1	Product Holder with guide feeder				
60530202400	3	slider				
38074856000	1	Feeder Adapter				
38076224000	2	Washer 6,2x20x2				
38165868000	2	Hygienic Cap Nut M6 with Precote 30-8				
38900124000	1	Parallel Pin DIN 7-8m6x40-A2-70				
38004459000	0,001	Loctite 648				

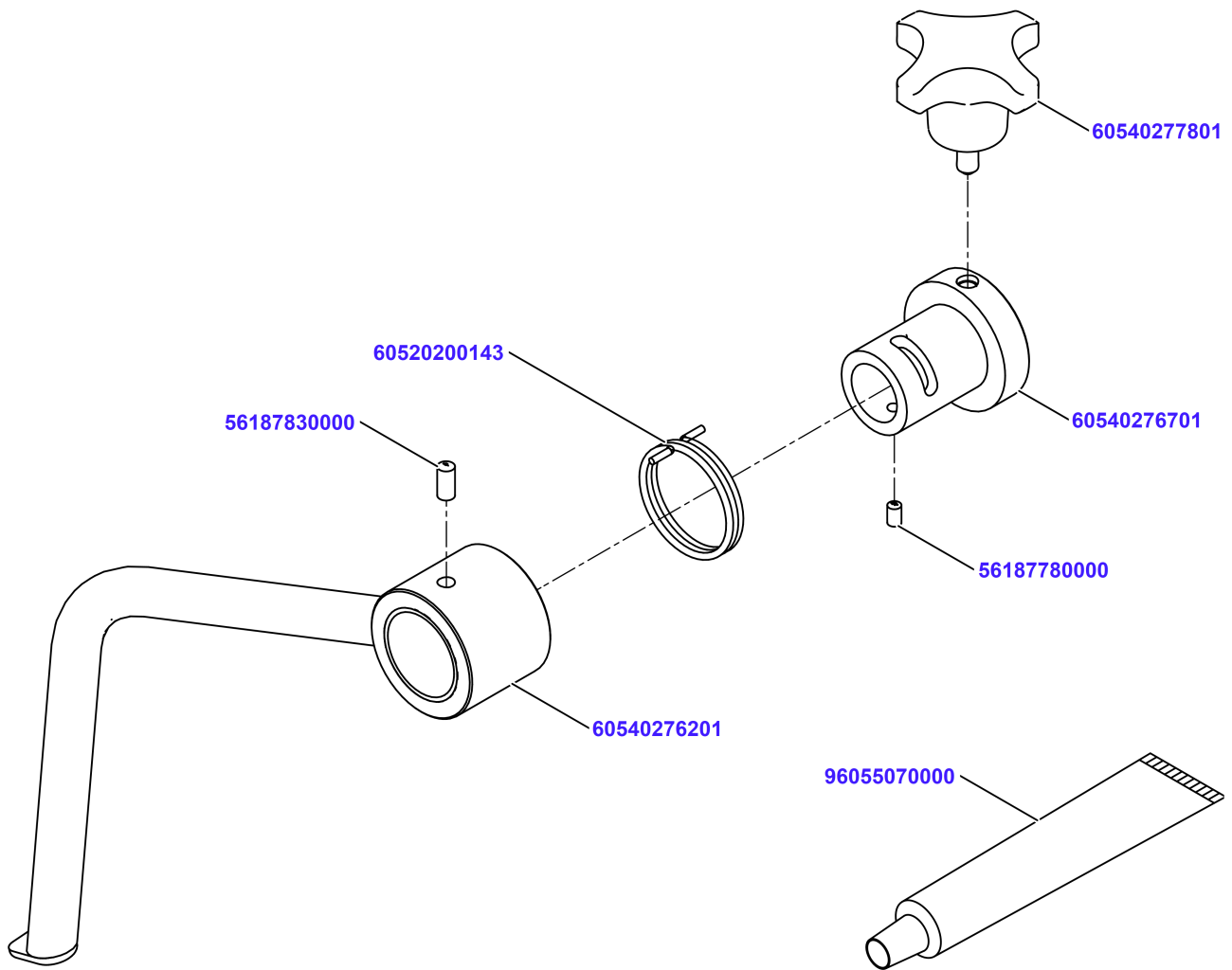
Product Supporter top NSF cpl










Product Supporter top NSF cpl

Material No.	Qty	Material description	available for order	Wear part	Recomm. sp. part	Metr. relevance
38061640001	1	Mounting welded	✓			
38007001001	1	Axis 18x342	✓			
60540276101	1	HOULDING DOWN DEVICE ASS.	✓			
38044136000	1	LOCKING SCREW	✓			

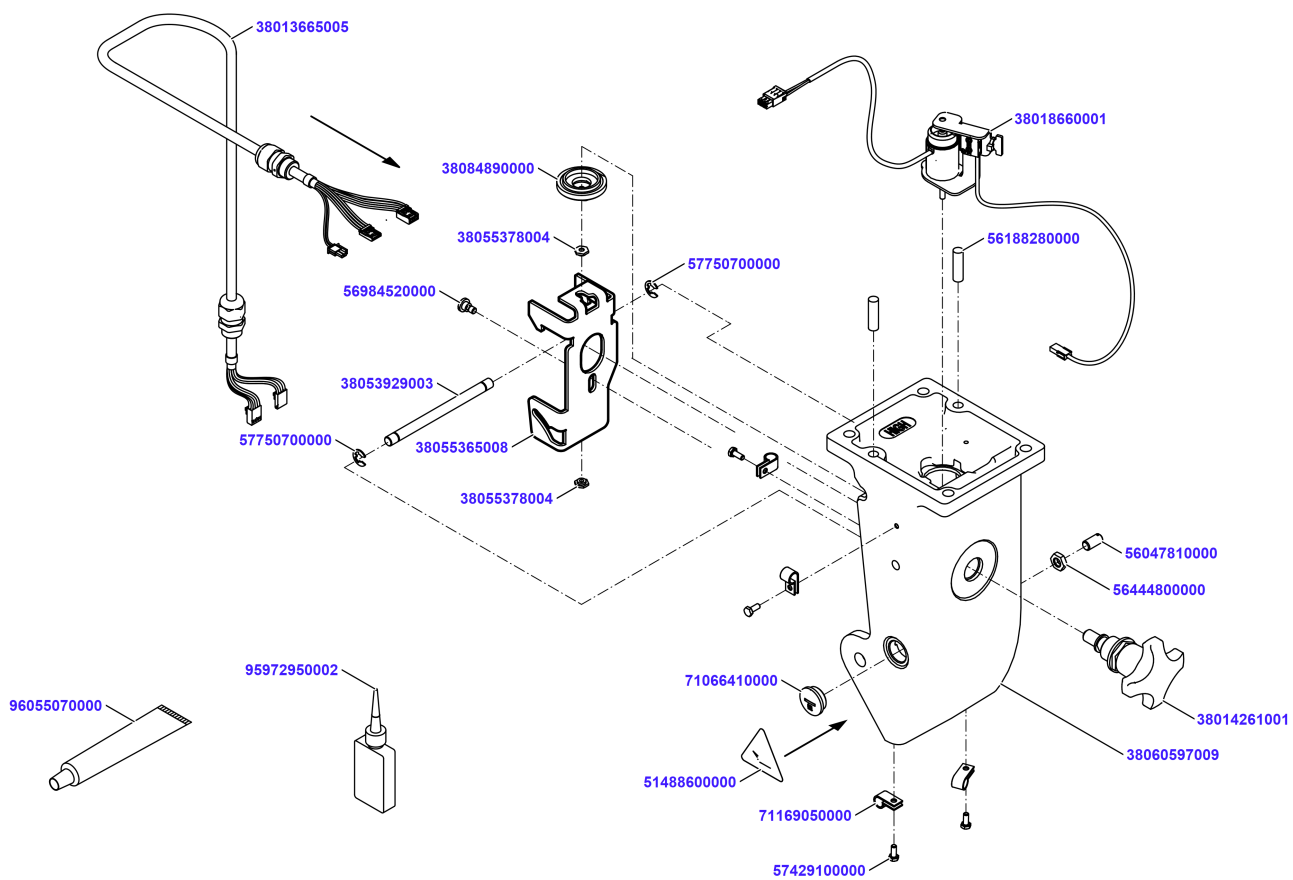
HOULDING DOWN DEVICE ASS.



HOULDING DOWN DEVICE ASS.

Material No.	Qty	Material description	available for order	Wear part	Recomm. sp. part	Metr. relevance
60540276201	1	Holding Down Device preass.				
60540276701	1	hub				
60540277801	1	LOCKING SCREW				
60520200143	1	torsion spring				
56187830000	1	Cylindrical pin EN 22338-5m6x10-A2				
96055070000	0,005	Grease PARALIQ GA 343				
56187780000	1	Cylindrical pin EN 22338-4m6x6-A2				

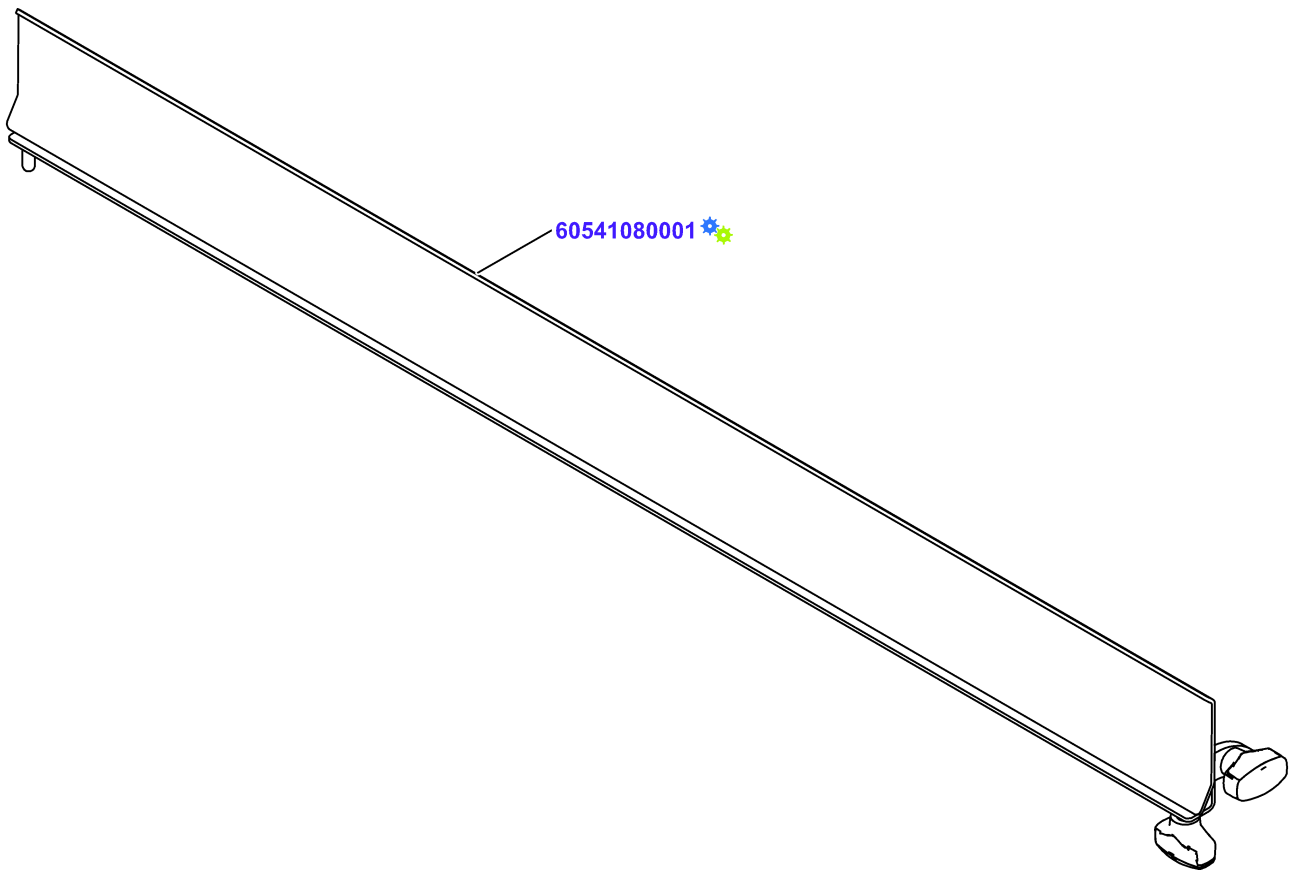
Carriage Foot high cpl



Carriage Foot high cpl

Material No.	Qty	Material description	available for order	Wear part	Recomm. sp. part	Metr. relevance
38060597009	1	Carriage Foot high mach	✓			
56188280000	2	Cylindrical pin EN 22338-8m6x28-A2	✓			
56047810000	1	Set screw DIN551 M8x16-PA 66	✓			
56444800000	1	Hexagon nut DIN439-M8-A2	✓			
38018660001	1	Magnet preass	✓	✓	✓	
38084890000	1	Cap preass	✓			
38055378004	2	Hexagon nut	✓			
95972950002	0,001	Loctite 243 50 ml 95972950002	✓			
38055365008	1	Interlock	✓			
96055070000	0,001	Grease PARALIQ GA 343	✓			
56984520000	1	Pan head screw DIN923 M5x4A2-70	✓			
71066410000	1	Plug Round M20x1.5	✓			
38014261001	1	Handle preass	✓			
38053929003	1	Stop Bolt	✓			
57750700000	2	Retaining washer DIN6799-7	✓			
71169050000	4	Cable Clamp nylon 7,4mm NK-5N	✓			
38013665005	1	Ka Rd 12x24AWG 0,87m	✓			
57429100000	4	Hexagon Screw DIN933 M4x10 A2-70	✓			
51488600000	1	Warning Plate Hand Injury 7.29K	✓			

metal sheet insert cpl mach



metal sheet insert cpl mach

Material No.	Qty	Material description
60541080001	1	Metal Sheet Insert cpl.

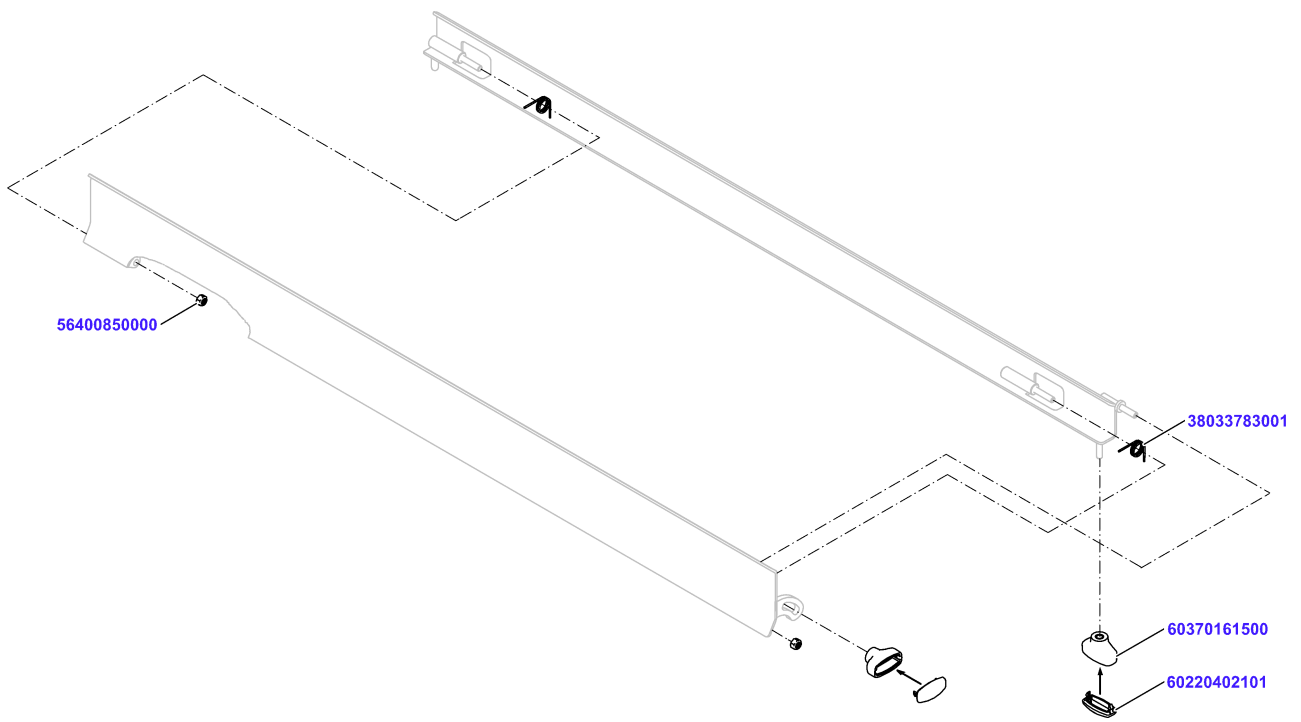
available for order

Wear part

Recomm. sp. part

Metr. relevance

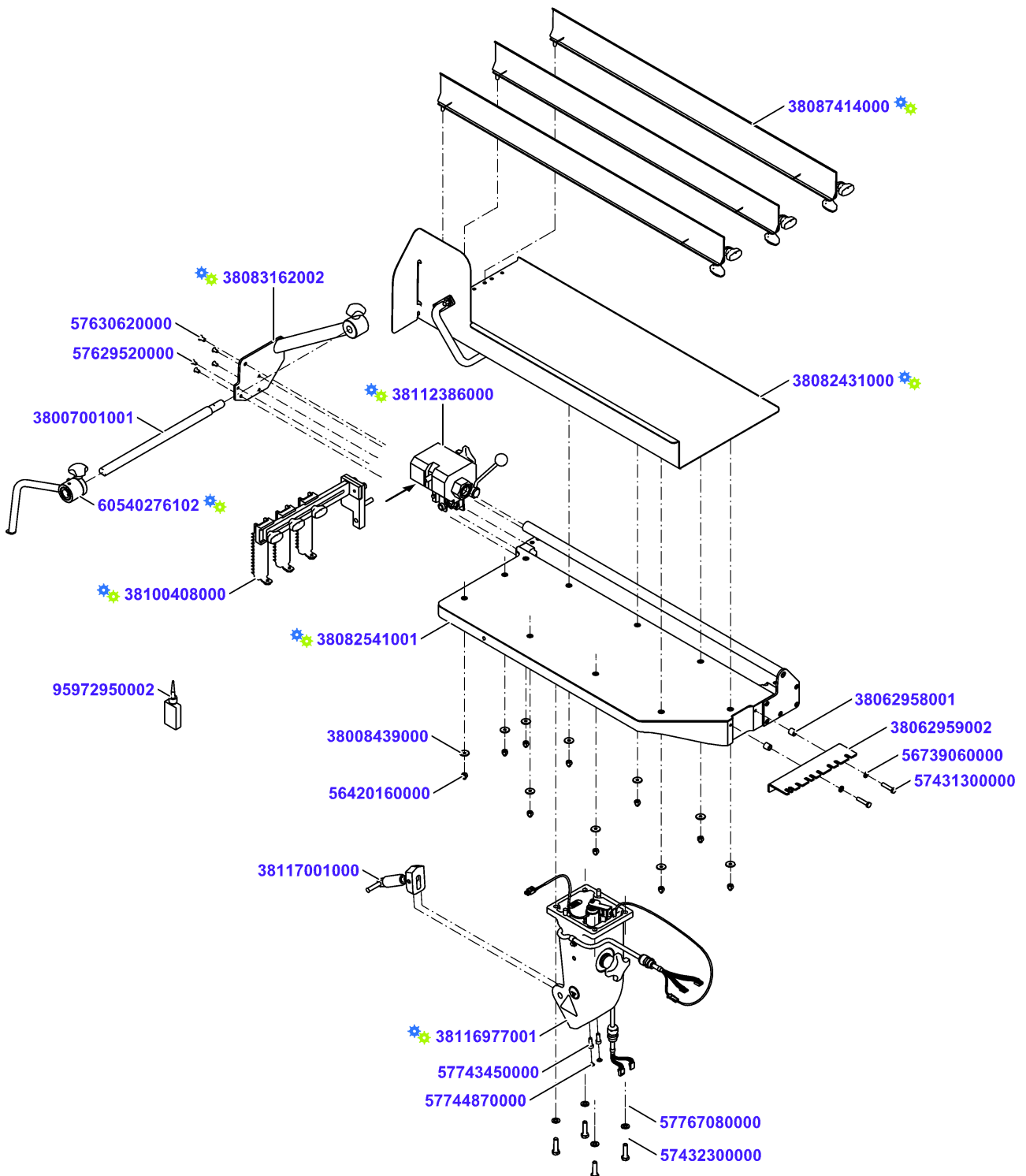
Metal Sheet Insert cpl.



Metal Sheet Insert cpl.

Material No.	Qty	Material description	available for order	Wear part	Recomm. sp. part	Metr. relevance
56400850000	2	Locknut DIN 985-M5-A2-70 56400850000	✓			
60370161500	2	Clamp handle small M 5	✓			
60220402101	2	cover	✓			
38033783001	2	Torsion Spring 13,4x5,1x1,2x15/20	✓			

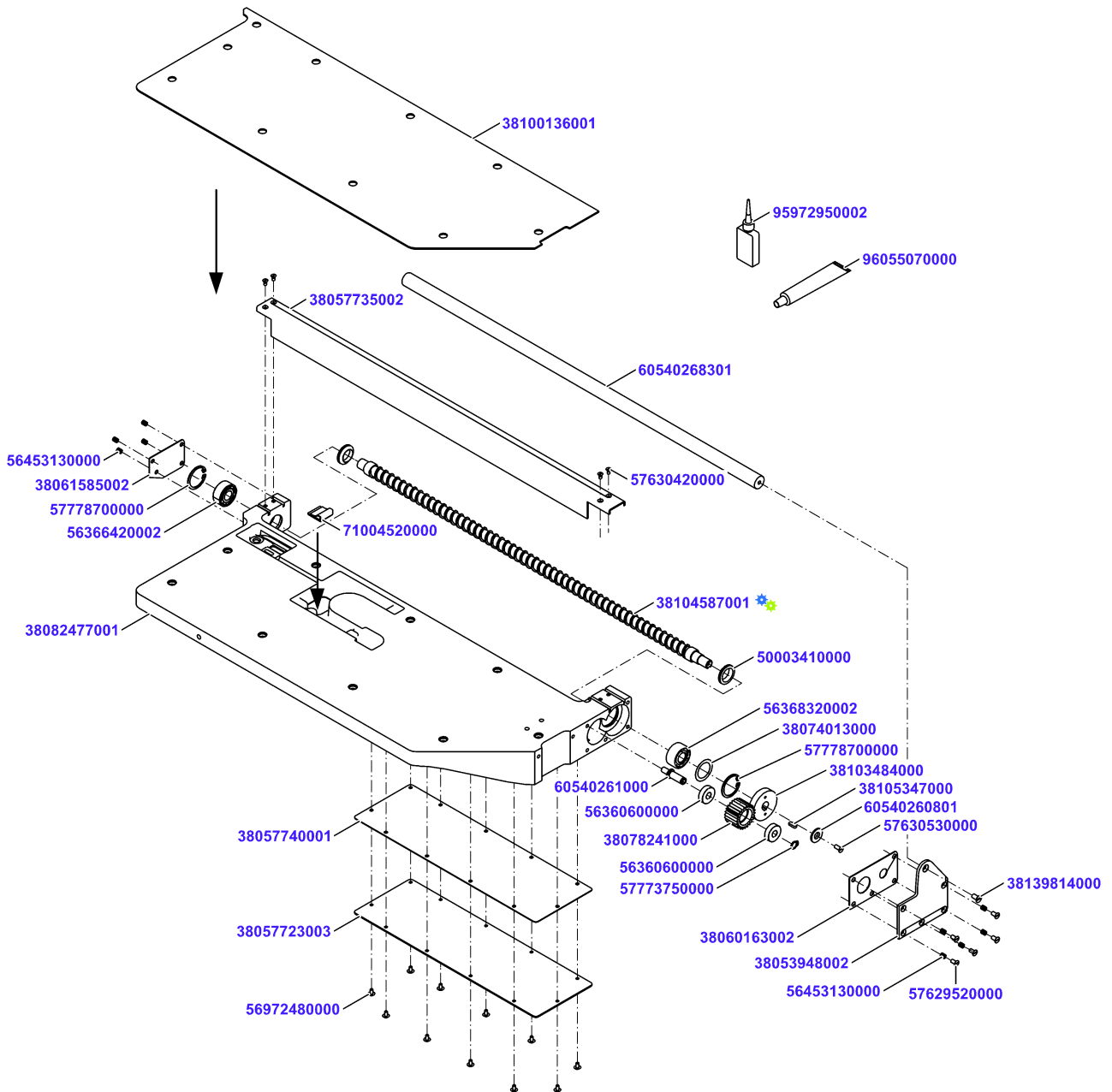
Carriage 600 template



Carriage 600 template

Material No.	Qty	Material description	available for order	Wear part	Recomm. sp. part	Metr. relevance
38082541001	1	Carriage 600 cpl.				
38082431000	1	Carriage Plate Template preass	✓			
56420160000	10	Cap nut DIN986-M6-A2	✓			
38008439000	10	Sealing washer M6	✓		✓	
38083162002	1	Product Supporter top NSF cpl				
57629520000	4	Countersunk Screw DIN 963-M5x10-A2-70	✓			
95972950002	0,001	Loctite 243 50 ml 95972950002	✓			
57630620000	1	Countersunk screw DIN963 M6x12-A2-70	✓			
38116977001	1	Carriage Foot high cpl.				
57432300000	4	Hexagon screw DIN933 M8x30 A2-70	✓			
57767080000	4	Spring lock washer DIN128-A8-A2	✓			
38117001000	1	Gas pressure spring carriage 600 cpl	✓		✓	
57743450000	2	Cylinder screw DIN912 M6x16-A2-70	✓			
57744870000	2	Protective plug 10x5,2x3,1-PE	✓		✓	
38087414000	3	metal sheet insert cpl mach	✓			
38062959002	1	Angle	✓			
38062958001	2	Spacer	✓			
57431300000	2	Hexagon Screw DIN 933 M6x30 A2-70	✓			
56739060000	2	Washer DIN125-A-6-A2	✓			
38007001001	1	Axis 18x342	✓			
60540276102	1	Holding Down Device ass.	✓			
38100408000	1	Product Holder cpl. Carriage guide ruler	✓			
38112386000	1	Product Holder Guide NSF cpl	✓			

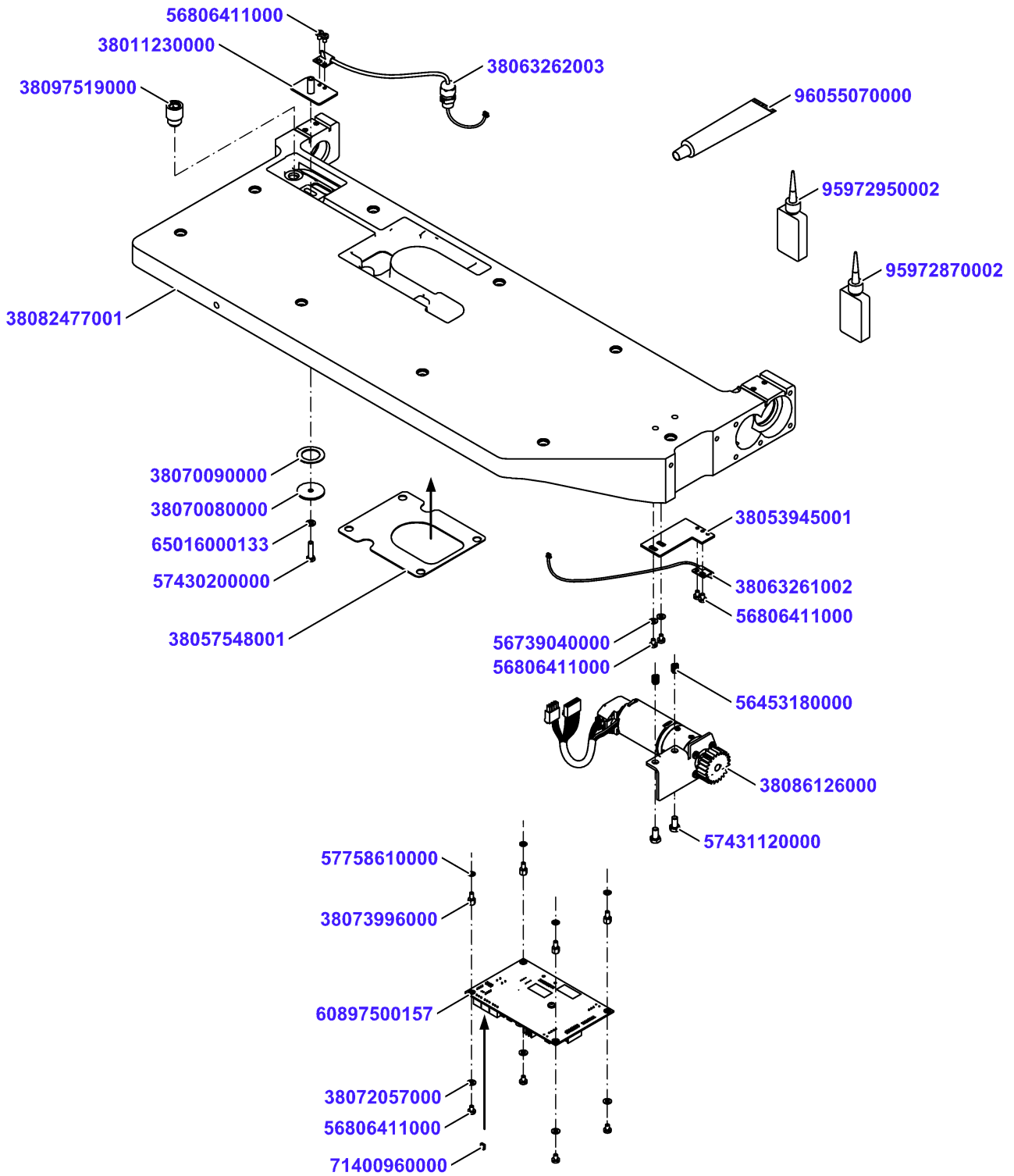
Carriage 600 cpl.



Carriage 600 cpl.

Material No.	Qty	Material description	available for order	Wear part	Recomm. sp. part	Metr. relevance
38082477001	1	Carriage 600 cast machined	✓			
56453130000	9	Thread insert M5x7,5-A2	✓			
56366420002	1	Self-Aligning Ball Bearing 2202	✓			
57778700000	1	Retaining ring DIN472-35x1,5	✓			
50003410000	1	Wiper ring 30x20x7	✓			
38104587001	1	Feedspindle 721xTR20X12 ass.	✓			
50003410000	1	Wiper ring 30x20x7	✓			
56368320002	1	Angular bearing double-row 15x35x15,9	✓			
57778700000	1	Retaining ring DIN472-35x1,5	✓			
38074013000	1	Shim ring DIN988-25x35x0,1	✓			
38103484000	1	Gear Wheel	✓			
96055070000	0,001	Grease PARALIQ GA 343	✓			
38105347000	1	Parallel key DIN6885-A 5x3x14	✓			
60540260801	1	Washer	✓			
57630530000	1	Countersunk Screw DIN963 M5x12-A2-70	✓			
95972950002	0,001	Loctite 243 50 ml 95972950002	✓			
60540261000	1	bolt	✓			
38078241000	1	Gear Wheel	✓			
56360600000	2	Grooved Ball Bearing DIN625 10x26x8	✓			
57773750000	1	Retaining Ring DIN471-10x1 57773750000	✓			
38057735002	1	Guide Rail 600er	✓			
57630420000	4	Countersunk Screw DIN963-M4x8-A2-70	✓			
71004520000	1	Flat Cabel Holder 3484-1000	✓			
38053948002	1	Flange	✓			
38060163002	1	Sealing	✓		✓	
57629520000	5	Countersunk Screw DIN 963-M5x10-A2-70	✓			
38061585002	1	sealing	✓		✓	
60540268301	1	guide shaft	✓			
38139814000	1	Screw DIN963 M6x12-A2 - Precote 80-8	✓		✓	
38100136001	1	Flat Seal Carriage Plate 600	✓		✓	
38057723003	1	Cover 378x119,1x2	✓			
38057740001	1	Seal long	✓		✓	
56972480000	11	Mushroom head screw M4x8-A2-70 Tuflok	✓			

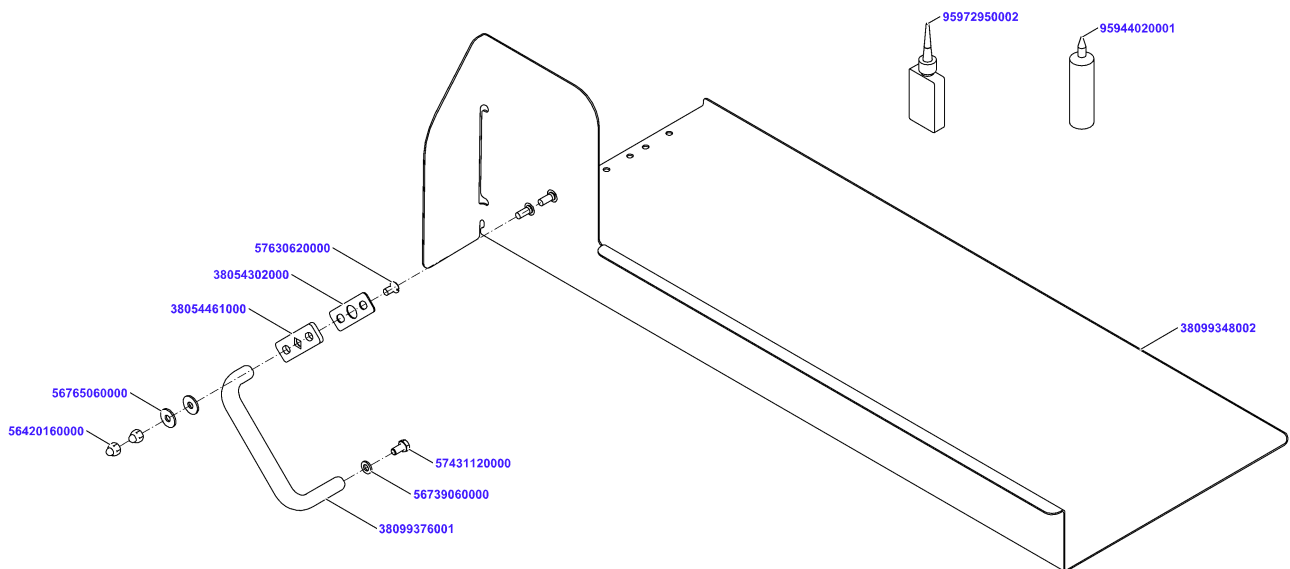
Carriage 600 cpl.



Carriage 600 cpl.

Material No.	Qty	Material description	available for order	Wear part	Recomm. sp. part	Metr. relevance
38082477001	1	Carriage 600 cast machined	✓			
56453180000	2	Threaded insert Heli-Coil D M6x9	✓			
96055070000	0,001	Grease PARALIQ GA 343	✓			
95972950002	0,001	Loctite 243 50 ml 95972950002	✓			
38053945001	1	Board	✓			
38063261002	1	Sensor product feeding 1 VSI	✓			
56806411000	4	Oval-Head Screw ISO 14583-M4x6-T20-A2-70	✓			
56739040000	2	Washer DIN 125-A 4.3-A2-70 56739040000	✓			
38011230000	1	Board cpl	✓			
38063262003	1	Sensor product feeding 2 VSI	✓			
56806411000	2	Oval-Head Screw ISO 14583-M4x6-T20-A2-70	✓			
38070080000	1	Washer	✓			
38070090000	1	Sealing	✓		✓	
57430200000	1	Hexagon Screw DIN 933-M5x20-A2-70	✓			
65016000133	1	Washer 5-PA 65016000133	✓			
38097519000	1	Sleeve 18 x 10 x 24.25	✓			
95972870002	0,001	Loctite 638 95972870002	✓			
38086126000	1	Motor Product Feeding BG42x15 cpl	✓			
57431120000	2	Hexagon Screw DIN 933-M6x12-A2-7	✓			
60897500157	1	PCBAP MC 3ph 2ch lv bus	✓			
71400960000	1	SHORT CIRCUIT BRACKET 3131 731000406	✓		✓	
57758610000	4	Toothed washer DIN6797-A 4,3-Fst	✓			
38073996000	4	Distance bolt SW7x6 M4-M4 In-Out	✓			
56806411000	4	Oval-Head Screw ISO 14583-M4x6-T20-A2-70	✓			
38072057000	4	Washer DIN 125-A 4,3-PA6 38072057000	✓			
38057548001	1	Seal	✓		✓	

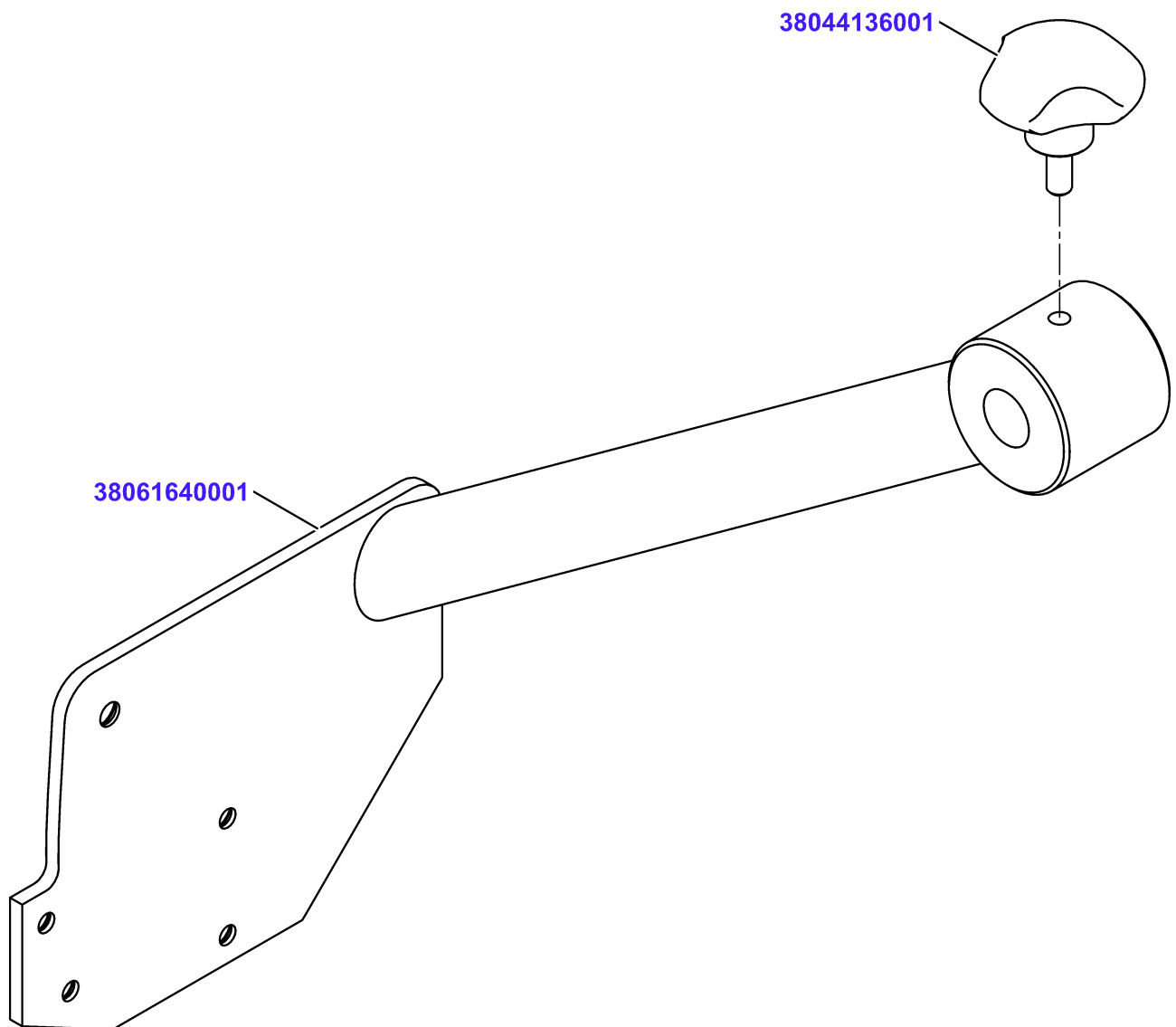
Carriage Plate Template preass



Carriage Plate Template press

Material No.	Qty	Material description	available for order	Wear part	Recomm. sp. part	Metr. relevance
38099348002	1	Carriage Plate welded	✓			
38099376001	1	Handle	✓			
38054461000	1	Plate	✓			
38054302000	1	Gasket	✓		✓	
95944020001	10	Silicone Rubber Elastosil E41 90ml	✓			
57630620000	1	Countersunk screw DIN963 M6x12-A2-70	✓			
95972950002	0,001	Loctite 243 50 ml 95972950002	✓			
56420160000	2	Cap nut DIN986-M6-A2	✓			
56765060000	2	Washer DIN9021-6-A2	✓			
57431120000	1	Hexagon Screw DIN 933-M6x12-A2-7	✓			
56739060000	1	Washer DIN125-A-6-A2	✓			

Product Supporter top NSF cpl

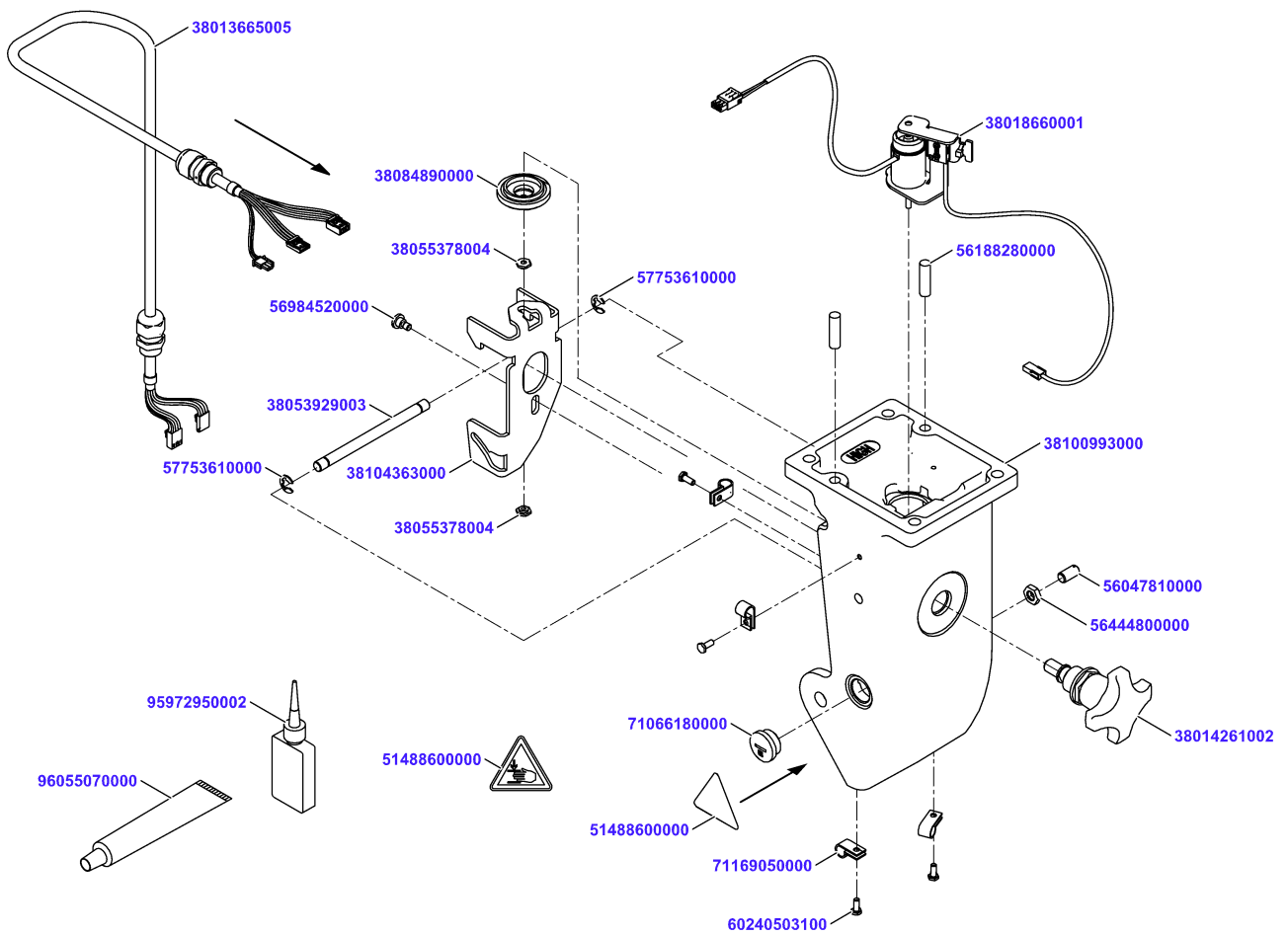


Product Supporter top NSF cpl

Material No.	Qty	Material description
38061640001	1	Mounting welded
38044136001	1	Handle with screw M6 x 14,75

available for order
Wear part
Recomm. sp. part
Metr. relevance

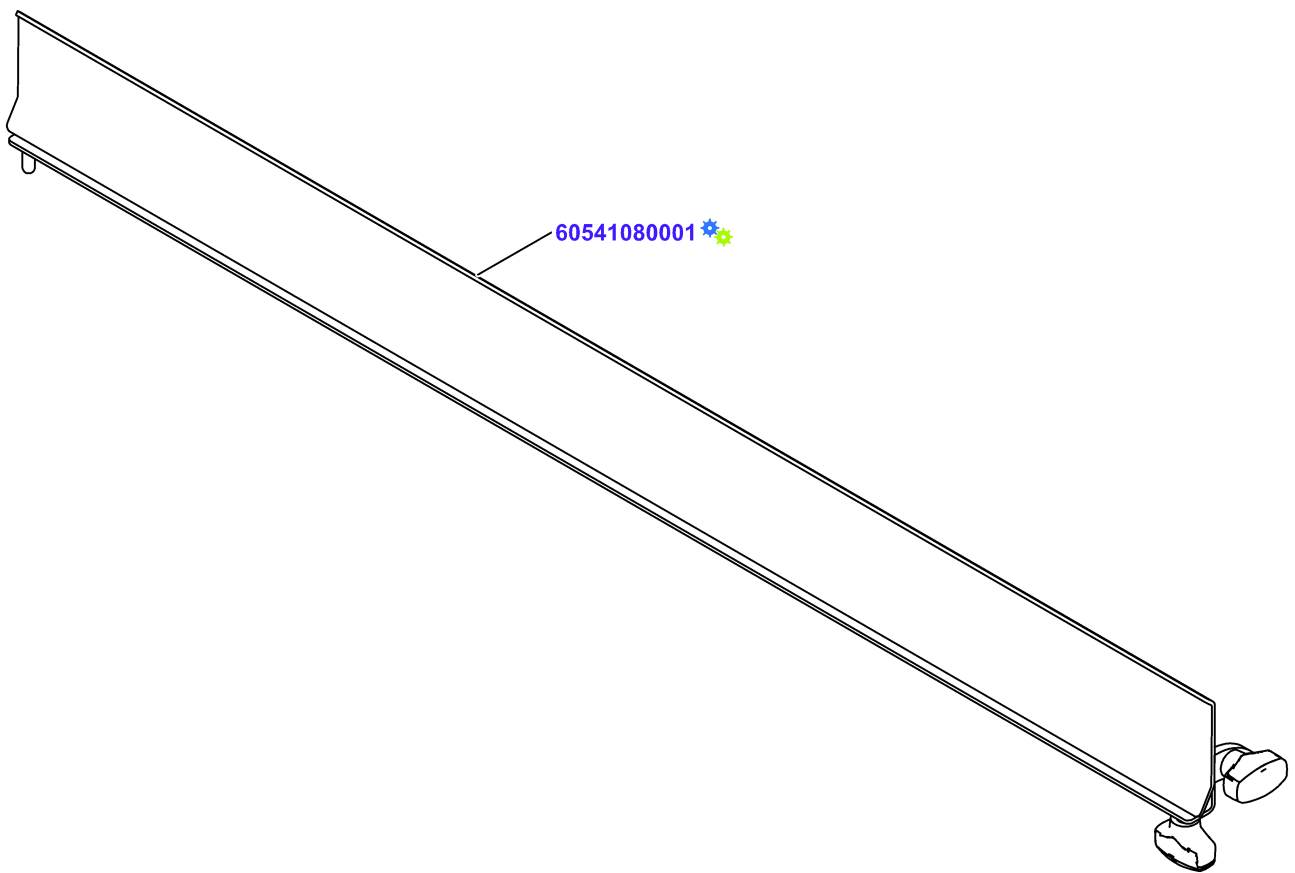
Carriage Foot high cpl.



Carriage Foot high cpl.

Material No.	Qty	Material description	available for order	Wear part	Recomm. sp. part	Metr. relevance
38100993000	1	Carriage Foot high hygienic mach	✓			
56188280000	2	Cylindrical pin EN 22338-8m6x28-A2	✓			
56047810000	1	Set screw DIN551 M8x16-PA 66	✓			
56444800000	1	Hexagon nut DIN439-M8-A2	✓			
38018660001	1	Magnet preass	✓	✓		
38084890000	1	Cap preass	✓			
38055378004	2	Hexagon nut	✓			
95972950002	0,001	Loctite 243 50 ml 95972950002	✓			
38104363000	1	Interlock	✓			
96055070000	0,001	Grease PARALIQ GA 343	✓			
56984520000	1	Pan head screw DIN923 M5x4A2-70	✓			
71066180000	1	Blind plug BLK- M20	✓			
38014261002	1	Handle preass.	✓			
38053929003	1	Stop Bolt	✓			
57753610000	2	Retaining Washer DIN6799-7 57753610000	✓			
71169050000	4	Cable Clamp nylon 7,4mm NK-5N	✓			
38013665005	1	Ka Rd 12x24AWG 0,87m	✓			
60240503100	4	Hexagon screw DIN 933 M4x10-A2-70	✓			
51488600000	1	Warning Plate Hand Injury 7.29K	✓			

metal sheet insert cpl mach



metal sheet insert cpl mach

Material No.	Qty	Material description
60541080001	1	Metal Sheet Insert cpl.

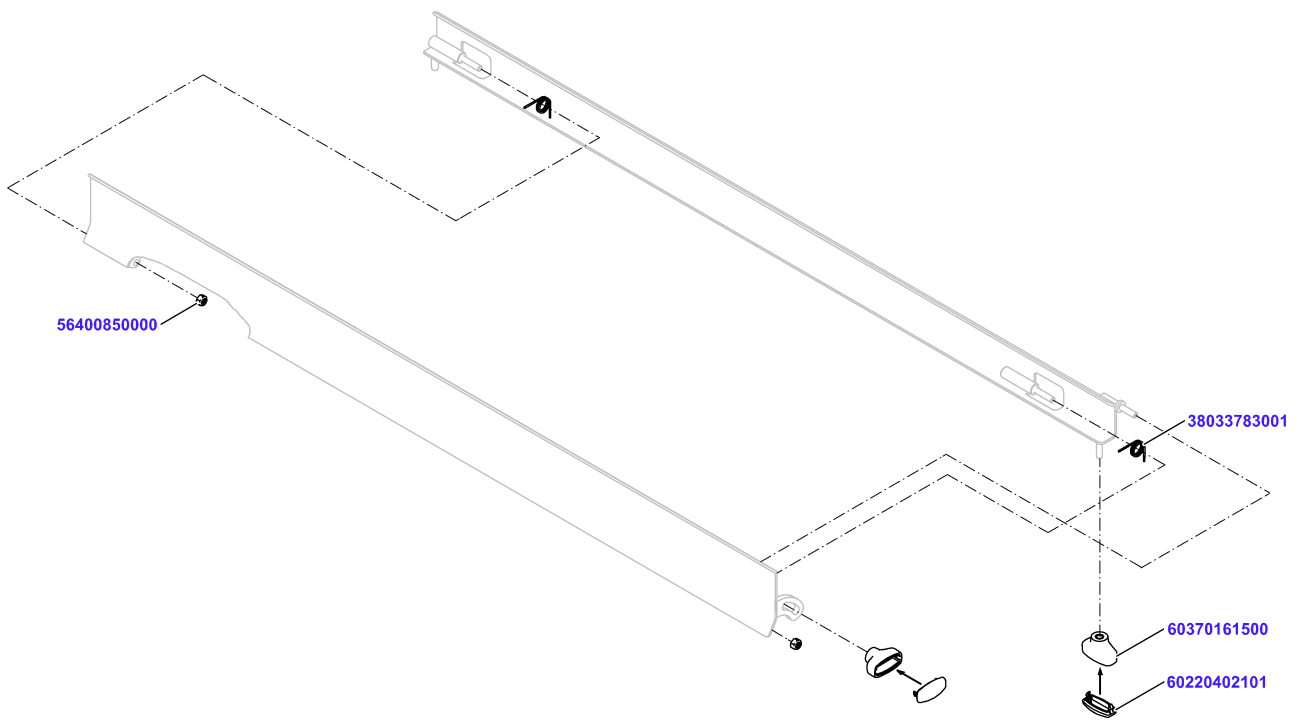
available for order

Wear part





Recomm. sp. part

Metr. relevance

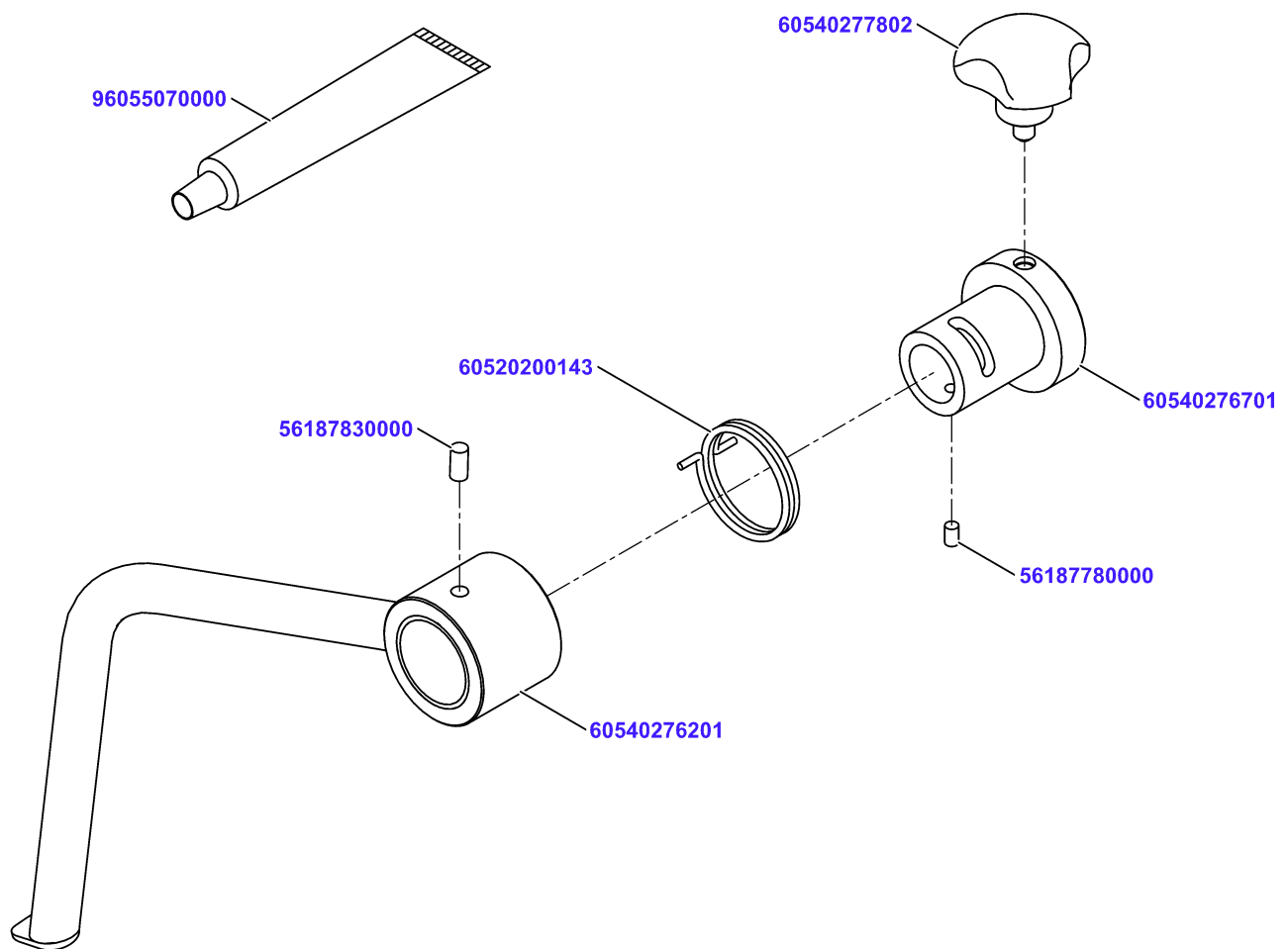
Metal Sheet Insert cpl.










Metal Sheet Insert cpl.

Material No.	Qty	Material description	available for order	Wear part	Recomm. sp. part	Metr. relevance
56400850000	2	Locknut DIN 985-M5-A2-70 56400850000				
60370161500	2	Clamp handle small M 5				
60220402101	2	cover				
38033783001	2	Torsion Spring 13,4x5,1x1,2x15/20				

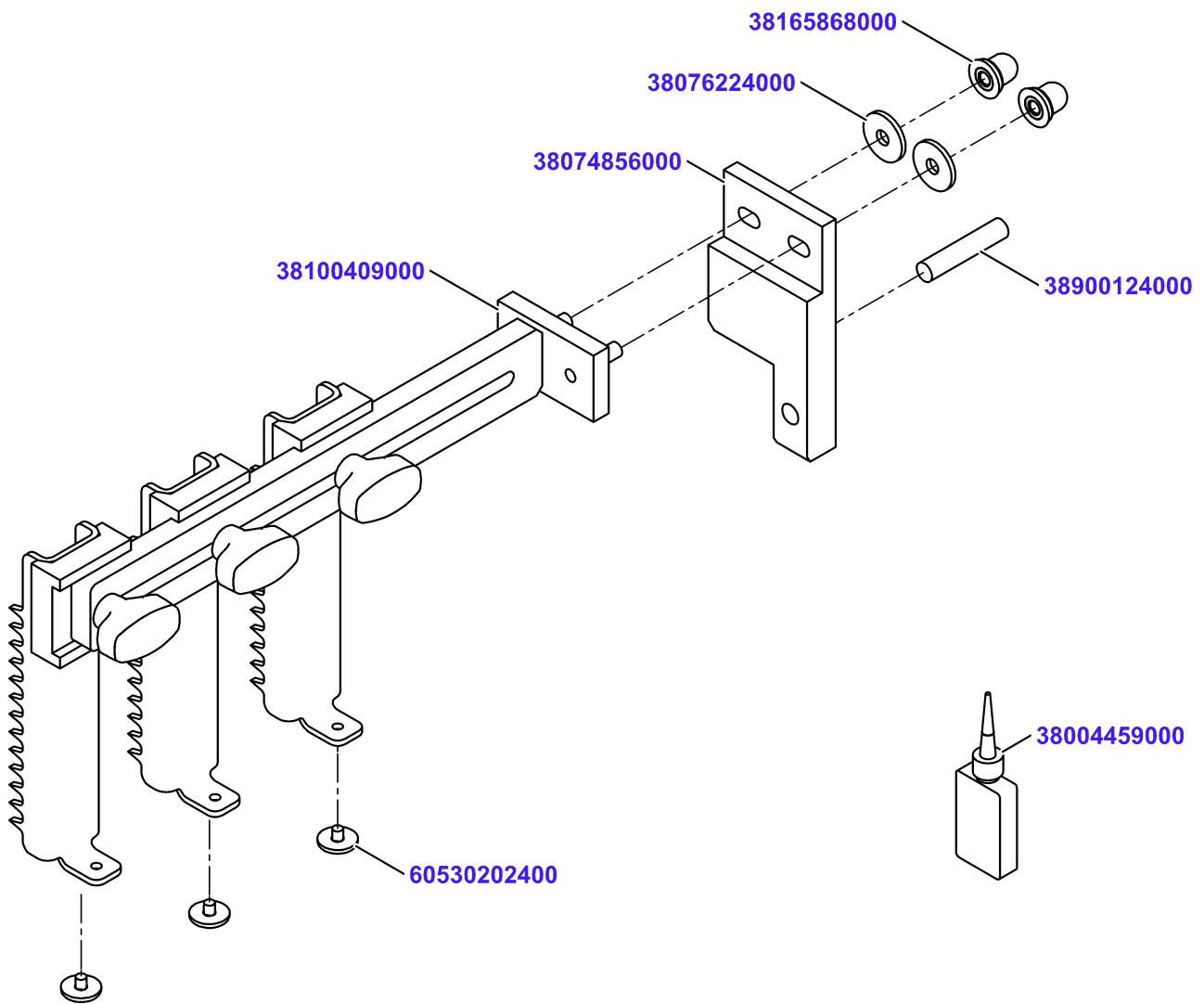
Holding Down Device ass.










Holding Down Device ass.

Material No.	Qty	Material description	available for order	Wear part	Recomm. sp. part	Metr. relevance
60540276201	1	Holding Down Device preass.				
56187830000	1	Cylindrical pin EN 22338-5m6x10-A2				
60540276701	1	hub				
60540277802	1	Handle with screw M6 x 13,55				
56187780000	1	Cylindrical pin EN 22338-4m6x6-A2				
60520200143	1	torsion spring				
96055070000	0,005	Grease PARALIQ GA 343				

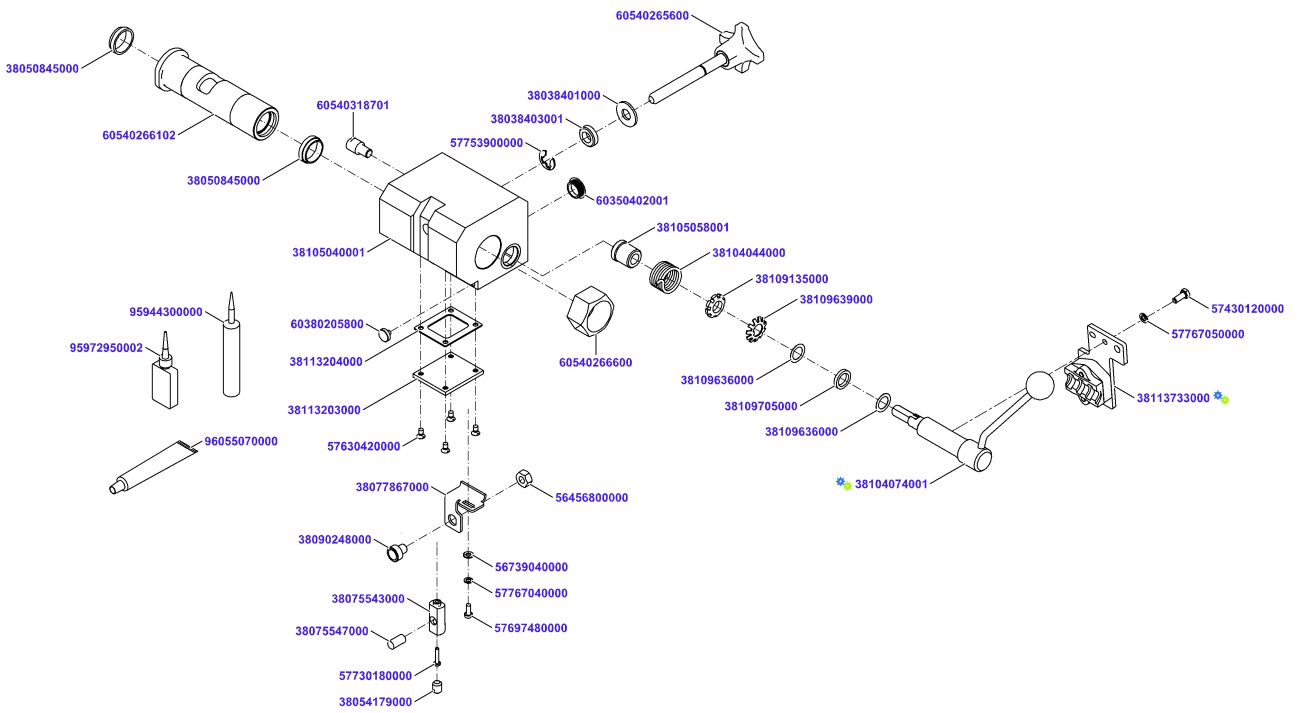
Product Holder cpl. Carriage guide ruler



Product Holder cpl. Carriage guide ruler

Material No.	Qty	Material description	available for order	Wear part	Recomm. sp. part	Metr. relevance
38100409000	1	Product Holder with guide feeder				
60530202400	3	slider				
38074856000	1	Feeder Adapter				
38076224000	2	Washer 6,2x20x2				
38165868000	2	Hygienic Cap Nut M6 with Precote 30-8				
38900124000	1	Parallel Pin DIN 7-8m6x40-A2-70				
38004459000	0,001	Loctite 648				

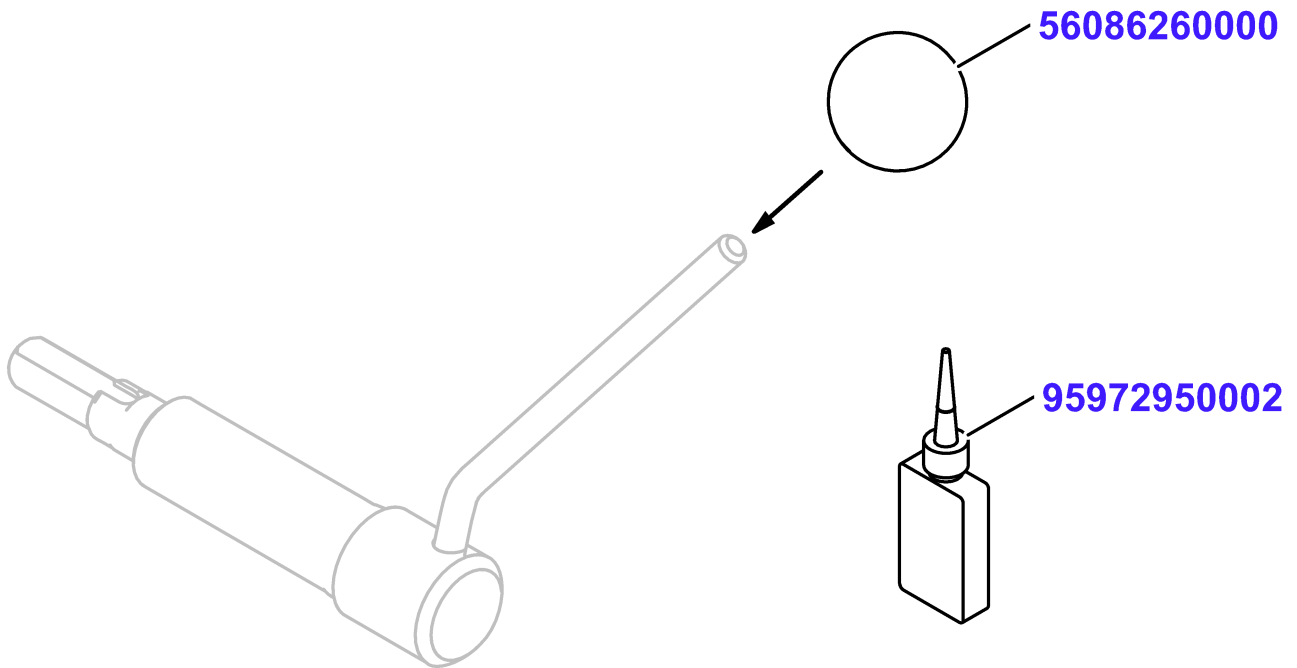
Product Holder Guide NSF cpl



Product Holder Guide NSF cpl

Material No.	Qty	Material description	available for order	Wear part	Recomm. sp. part	Metr. relevance
38105040001	1	Product Holder Guide	✓			
60540265600	1	locking lever mount.	✓			
38038401000	1	washer	✓			
38038403001	1	Bushing 19,1x10,7x5	✓			
57753900000	1	Retaining Washer DIN6799-9 57753900000	✓			
60540266102	1	Bushing complete	✓	✓	✓	
38050845000	2	Deflector Ring	✓			
60540266600	1	hex nut	✓			
38109705000	1	Shaft seal 12x18x3	✓			
38109636000	1	Shim ring DIN988-12x18x0,2	✓			
38104074001	1	Bolt NSF cpl	✓			
38109636000	1	Shim ring DIN988-12x18x0,2	✓			
38109639000	1	Safety plate DIN5406-MB1	✓			
38109135000	1	Grooved nut M12 x 0.5	✓			
38105058001	1	Bushing 19,5/18x10,2x21	✓			
38104044000	1	Torsion spring left	✓			
96055070000	0,005	Grease PARALIQ GA 343	✓			
38113733000	1	Holder preassembled	✓			
57767050000	1	Spring lock washer DIN128-A5-FSt	✓			
57430120000	1	Hexagon Screw DIN 933-M5x12-A2-70	✓			
60350402001	1	Protective plug	✓			
95944300000	0,005	Kitchen silicone ELASTO4710	✓			
38113203000	1	cover	✓			
38113204000	1	Seal 47x40x1	✓			
57630420000	4	Countersunk Screw DIN963-M4x8-A2-70	✓			
38077867000	1	Magnet Base	✓			
38090248000	1	Magnet Vacodym 370 wz round 10x4 preass	✓		✓	
56456800000	1	Hexagon Nut DIN 934-M8-A2-70	✓			
57697480000	1	Cylinder screw DIN84 M4x10-A2-70	✓			
56739040000	1	Washer DIN 125-A 4.3-A2-70 56739040000	✓			
57767040000	1	Spring lock washer DIN128-A4-FSt	✓			
38075543000	1	Mounting Pin	✓			
57730180000	1	Oval-head screw ISO14583 M3x16-A2-70-T10	✓			
38075547000	1	Parallel Pin 8x15	✓			
38054179000	1	Set screw DIN438 M8x10-A2-70	✓			
60380205800	1	SLIDE PIN	✓			
60540318701	1	stop pin	✓			
95972950002	0,001	Loctite 243 50 ml 95972950002	✓			

Bolt NSF cpl

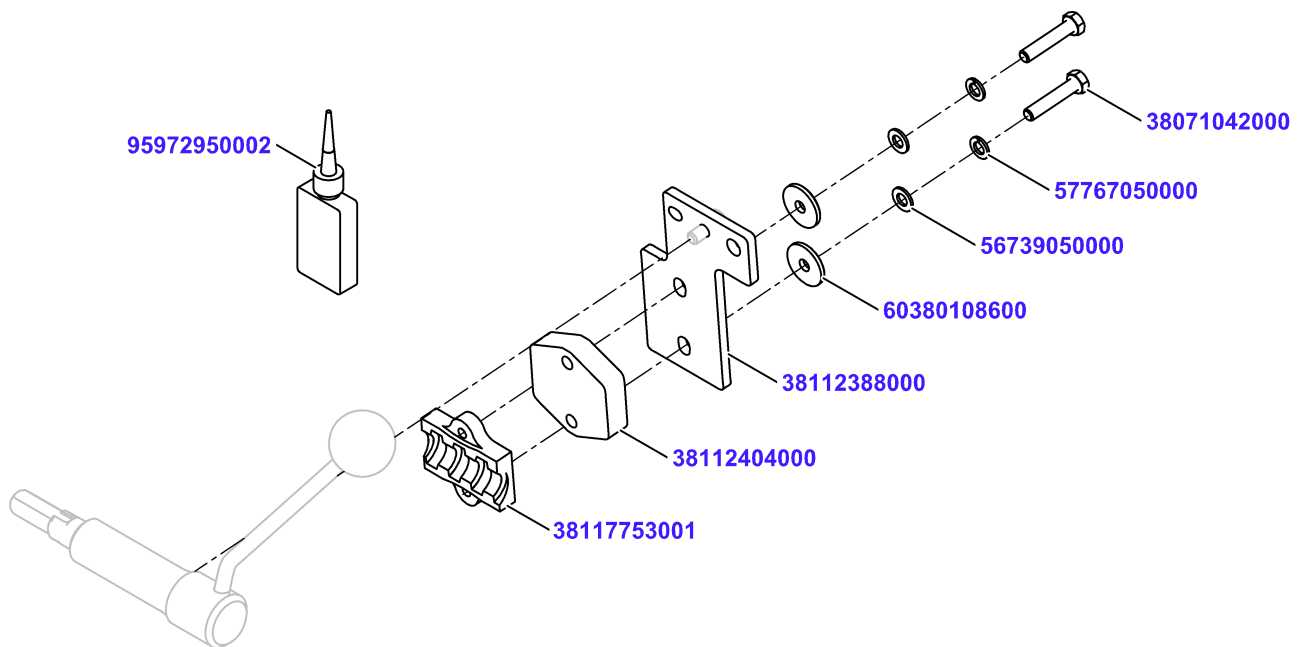


Bolt NSF cpl

Material No.	Qty	Material description
56086260000	1	Ball knob DIN319 M6x25 I
95972950002	0,001	Loctite 243 50 ml 95972950002

available for order
Wear part
Recomm. sp. part
Metr. relevance

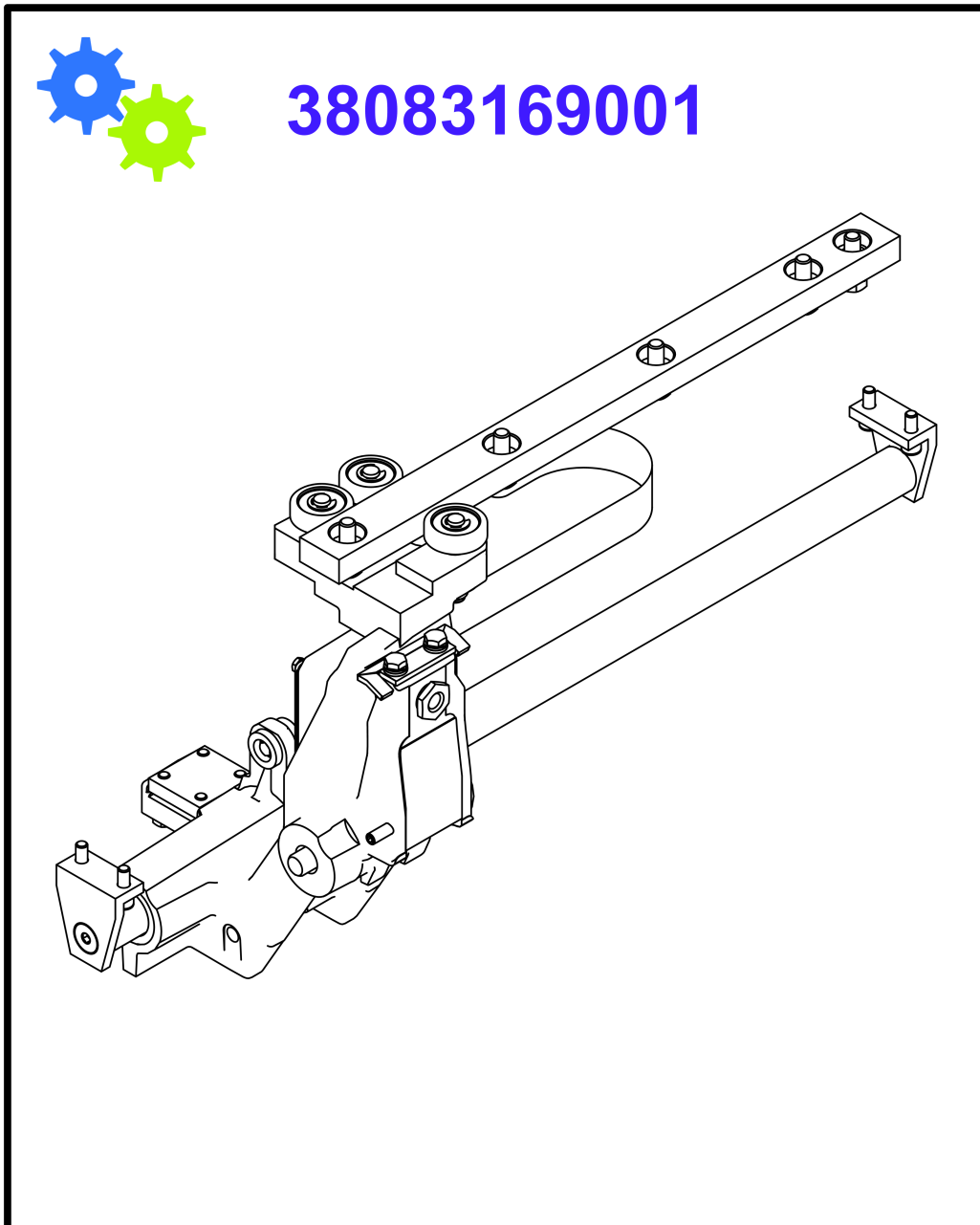
Holder preassembled



Holder preassembled


Material No.	Qty	Material description	available for order	Wear part	Recomm. sp. part	Metr. relevance
38112388000	1	Holder	✓			
38112404000	1	Spacer plate 40x40x10	✓			
38117753001	1	Nut Plate TR20X12P4	✓	✓	✓	
38071042000	2	Hexagon Screw DIN 933 M5x25 A2-70	✓			
60380108600	2	Washer	✓			
56739050000	2	Washer DIN 125-A 5_3 -A2-70 56739050000	✓			
57767050000	2	Spring lock washer DIN128-A5-FSt	✓			
95972950002	0,001	Loctite 243 50 ml 95972950002	✓			

Carriage guide

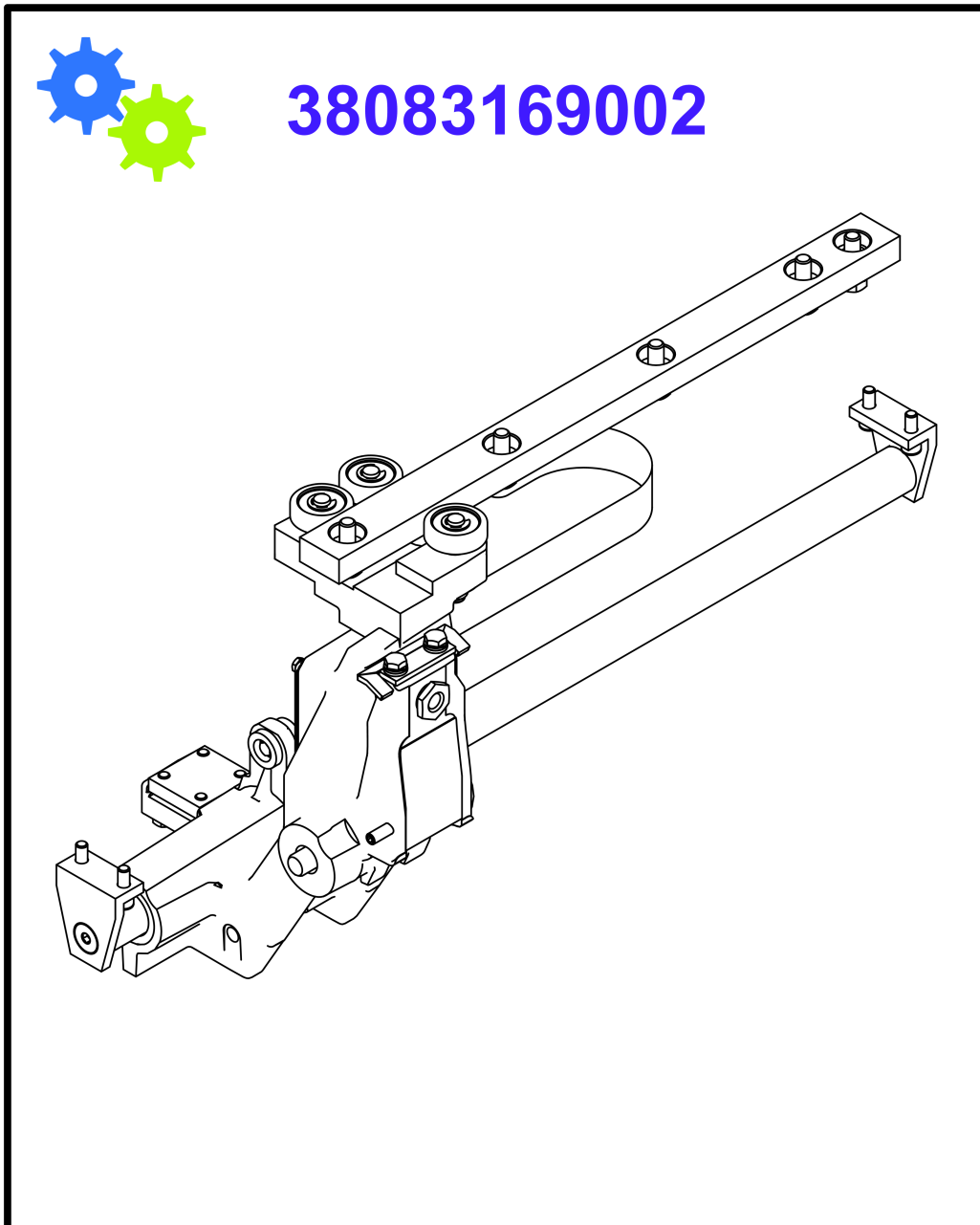


Carriage guide

Material No.	Qty	Material description
38083169001	1	Carriage guide cpl.


	available for order	Wear part	Recomm. sp. part	Metr. relevance
---	---------------------	-----------	------------------	-----------------

Carriage guide

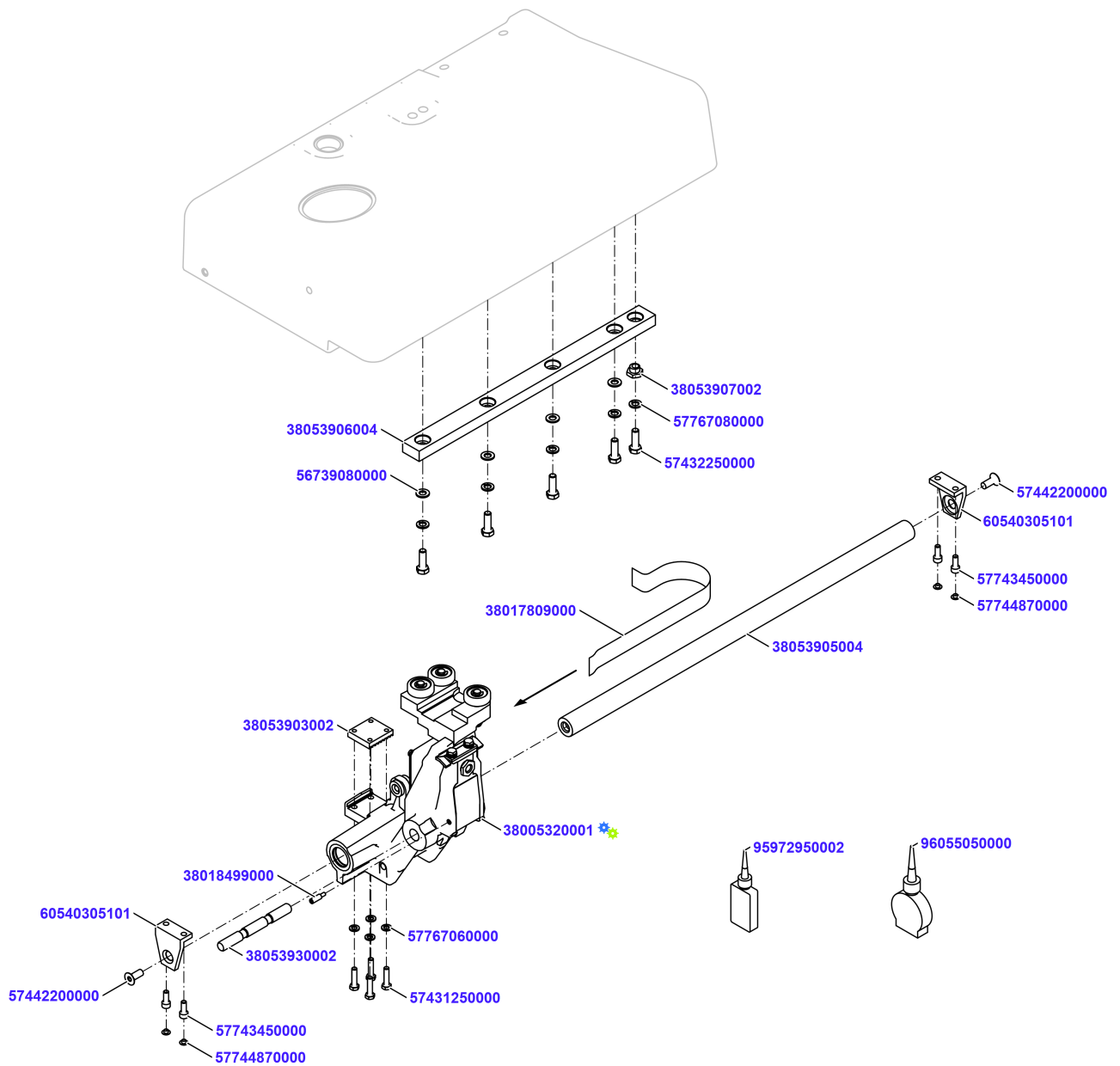


Carriage guide

Material No.	Qty	Material description
38083169002	1	Carriage Guide cpl.

	available for order	Wear part	Recomm. sp. part	Metr. relevance
---	---------------------	-----------	------------------	-----------------

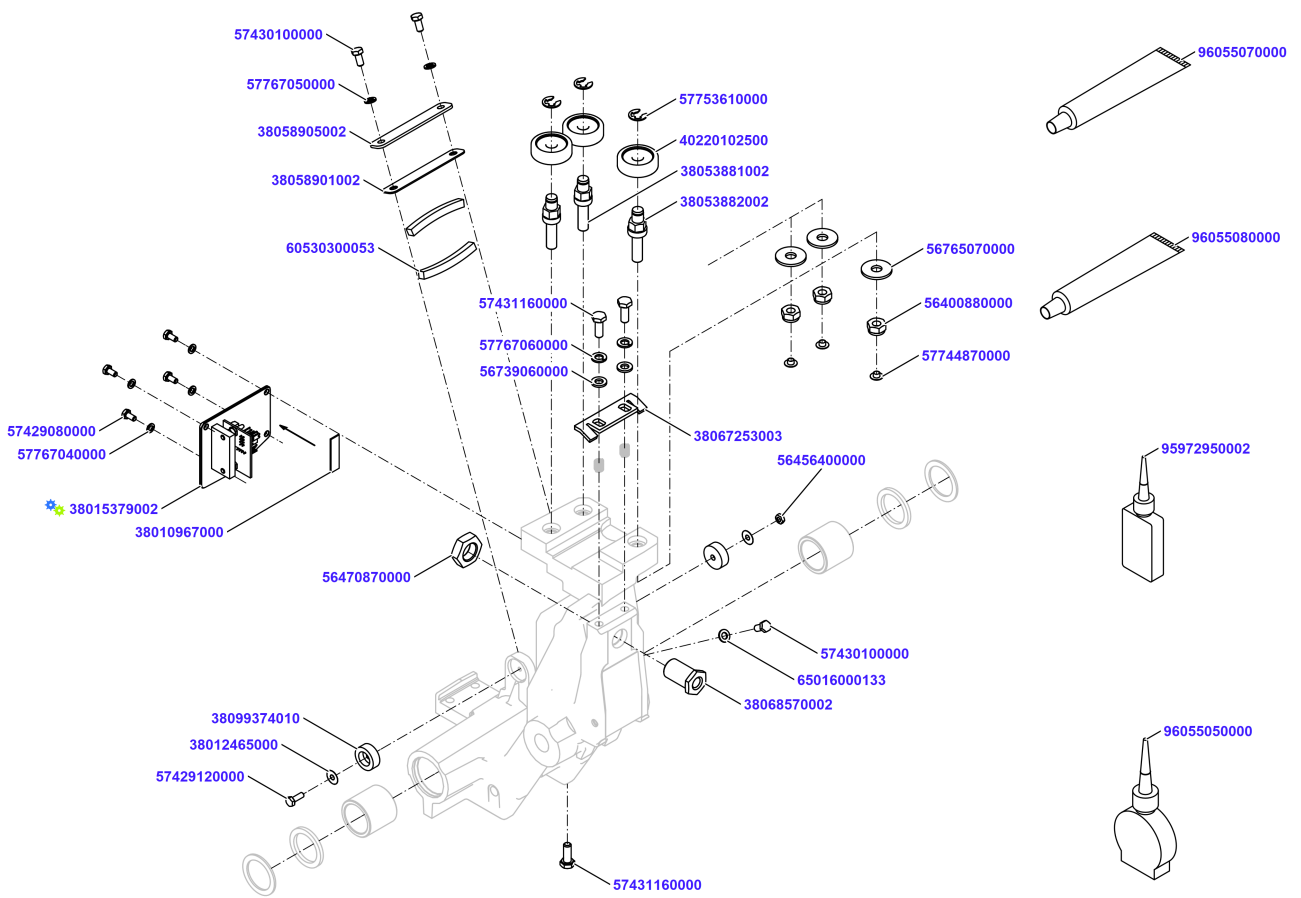
Carriage guide cpl.



Carriage guide cpl.

Material No.	Qty	Material description	available for order	Wear part	Recomm. sp. part	Metr. relevance
38053906004	1	Guide rail 28 x 15 x 400	✓			
57432250000	4	Hexagon screw DIN933 M8x25 A2-70	✓			
56739080000	4	Washer DIN125-A-8-A2	✓			
57767080000	4	Spring lock washer DIN128-A8-A2	✓			
38053907002	1	eccentric	✓			
57432250000	1	Hexagon screw DIN933 M8x25 A2-70	✓			
57767080000	1	Spring lock washer DIN128-A8-A2	✓			
38005320001	1	Carriage Guide preass	✓		✓	
38053905004	1	Carriage Shaft 25 x 579,5	✓			
60540305101	2	bearing block	✓			
57442200000	2	Countersunk screw DIN7991 M8x20-A2-70	✓			
95972950002	0,001	Loctite 243 50 ml 95972950002	✓			
57743450000	4	Cylinder screw DIN912 M6x16-A2-70	✓			
57744870000	4	Protective plug 10x5,2x3,1-PE	✓		✓	
96055050000	0,001	Lubricating Oil F.L.5 Oil UH1	✓			
38053903002	1	Clamping Plug	✓			
57431250000	4	Hexagon screw DIN933 M6x25 A2-70	✓			
57767060000	4	Spring lock washer DIN128-A6-FSt	✓			
38053930002	1	Shaft 12f7 x 115	✓			
38018499000	1	Thread Bolt	✓			
38017809000	1	Flexcable FFC 20pol 342mm	✓	✓	✓	

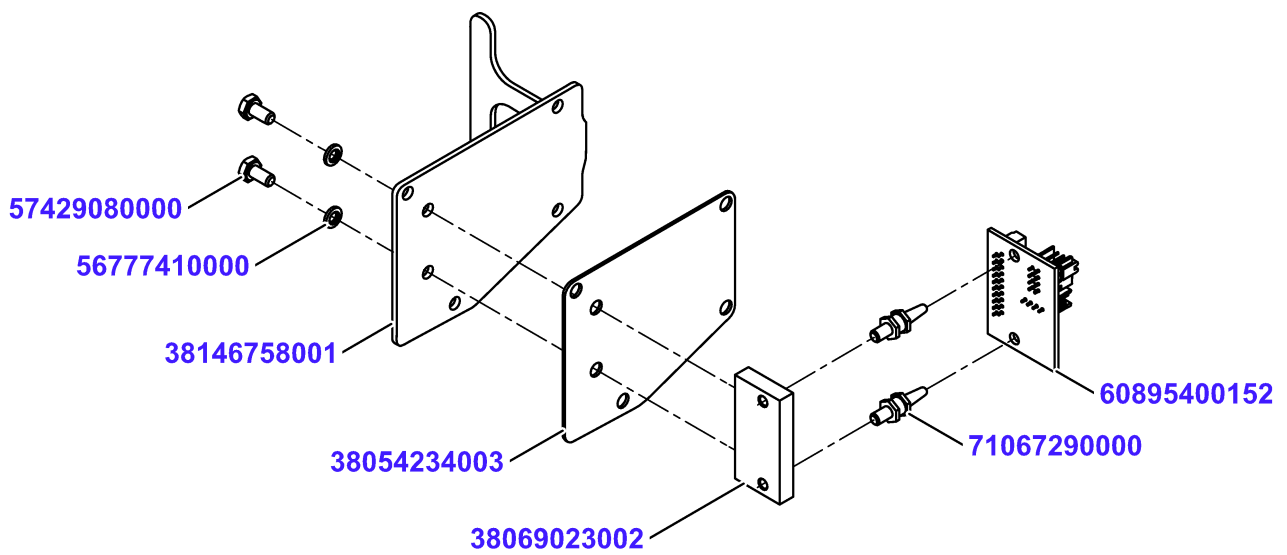
Carriage Guide press



Carriage Guide preass

Material No.	Qty	Material description	available for order	Wear part	Recomm. sp. part	Metr. relevance
38053881002	2	Bolt 14f8 x 48	✓			
38053882002	1	Eccentric Bolt 15f8 x 48	✓			
56765070000	3	Washer DIN 9021-8-A2	✓			
56400880000	3	Lock nut DIN985-M8-A2	✓			
95972950002	0,001	Loctite 243 50 ml 95972950002	✓			
57744870000	3	Protective plug 10x5,2x3,1-PE	✓		✓	
40220102500	3	roller	✓	✓	✓	
96055080000	0,001	Kluebersynth UH1 64-62/25kg	✓			
57753610000	3	Retaining Washer DIN6799-7 57753610000	✓			
38015379002	1	Cover preass.	✓			
38010967000	1	Sealing	✓		✓	
57429080000	4	Hexagon Screw DIN 933 M4x8-A2-70	✓			
57767040000	4	Spring lock washer DIN128-A4-FSt	✓			
38067253003	1	Stop	✓			
57431160000	2	Hexagon Screw DIN 933 M6x16 A2-70	✓			
56739060000	2	Washer DIN125-A-6-A2	✓			
57767060000	2	Spring lock washer DIN128-A6-FSt	✓			
96055070000	0,001	Grease PARALIQ GA 343	✓			
38068570002	1	Setscrew	✓			
56470870000	1	HEXAGON NUT DIN 439- BM16X1,5- 4	✓			
60530300053	2	lubricating felt	✓			
96055050000	0,001	Lubricating Oil F.L.5 Oil UH1	✓			
38058901002	1	Sealing	✓		✓	
38058905002	1	Cover	✓			
57430100000	3	Hexagon Screw DIN 933-M5x10-A2-7	✓			
57767050000	2	Spring lock washer DIN128-A5-FSt	✓			
65016000133	1	Washer 5-PA 65016000133	✓			
38099374010	2	Rubber Buffer	✓			
57429120000	1	Hexagon Screw DIN 933-M4x12-A-70	✓			
38012465000	1	trust washer	✓			
56456400000	1	Hexagon nut DIN934-M4-A2	✓			
38012465000	1	trust washer	✓			
57431160000	1	Hexagon Screw DIN 933 M6x16 A2-70	✓			

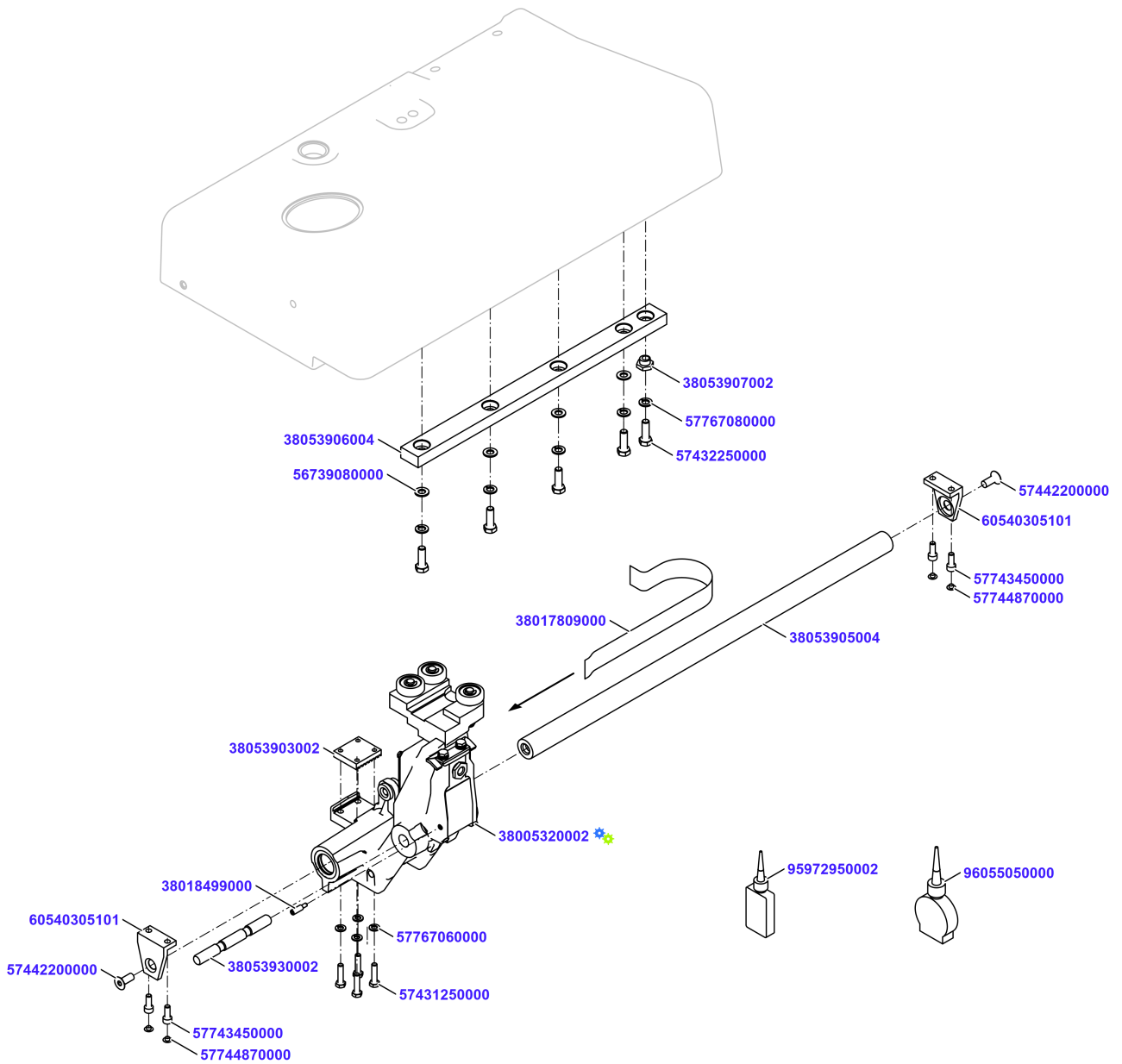
Cover preass.



Cover preass.

Material No.	Qty	Material description	available for order	Wear part	Recomm. sp. part	Metr. relevance
38146758001	1	Cover bracket	✓			
38054234003	1	Sealing	✓		✓	
38069023002	1	Holding Block 40x6x20	✓			
57429080000	2	Hexagon Screw DIN 933 M4x8-A2-70	✓			
56777410000	2	Screw seal M4	✓		✓	
71067290000	2	Spacer 6.4 LPR 8520-M4 71067290000	✓			
60895400152	1	PCBA Intermediate Board 1	✓			

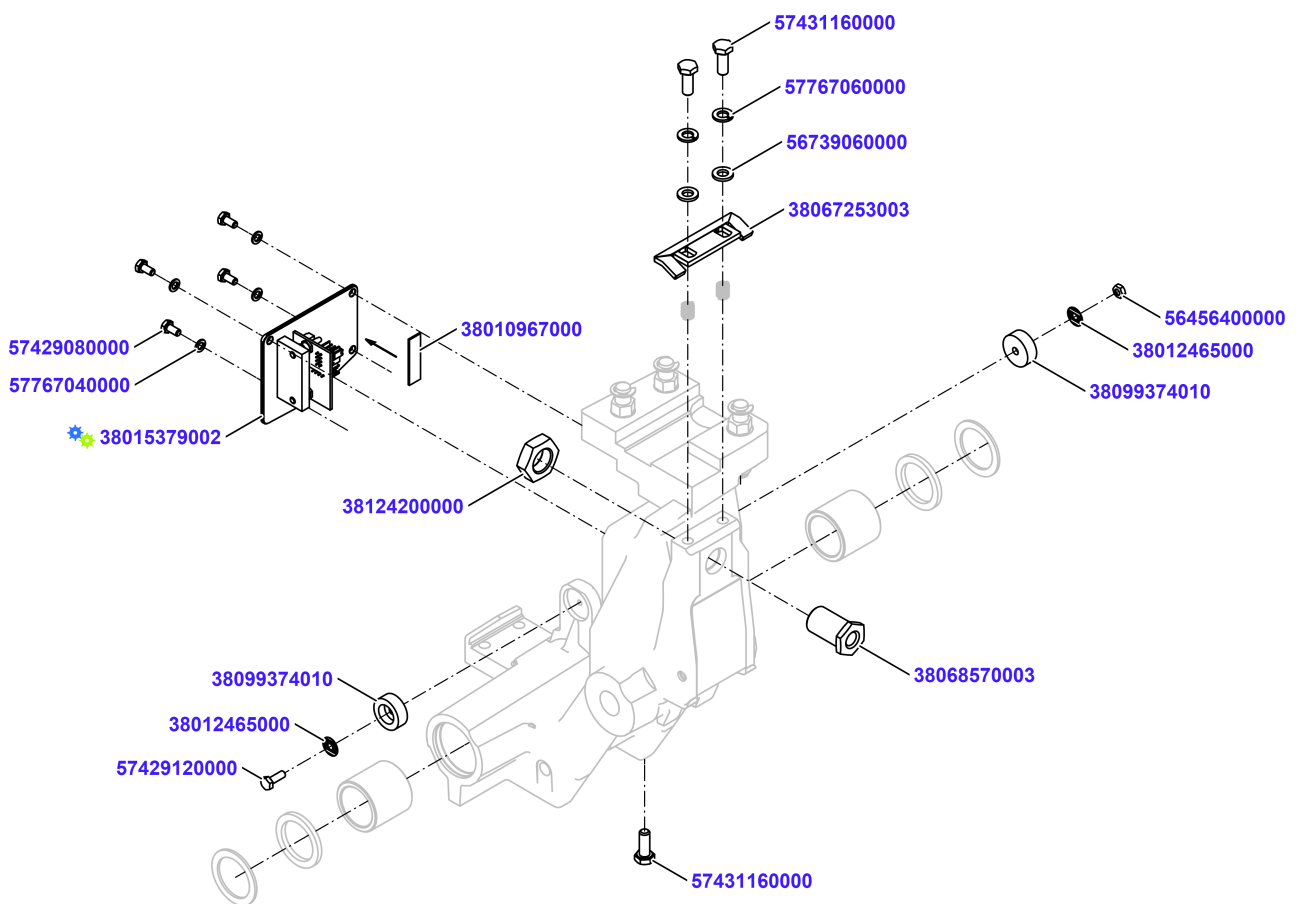
Carriage Guide cpl.



Carriage Guide cpl.

Material No.	Qty	Material description	available for order	Wear part	Recomm. sp. part	Metr. relevance
38053906004	1	Guide rail 28 x 15 x 400	✓			
57432250000	4	Hexagon screw DIN933 M8x25 A2-70	✓			
56739080000	4	Washer DIN125-A-8-A2	✓			
57767080000	4	Spring lock washer DIN128-A8-A2	✓			
38053907002	1	eccentric	✓			
57432250000	1	Hexagon screw DIN933 M8x25 A2-70	✓			
57767080000	1	Spring lock washer DIN128-A8-A2	✓			
38005320002	1	Carriage Guide preass.	✓		✓	
38053905004	1	Carriage Shaft 25 x 579,5	✓			
60540305101	2	bearing block	✓			
57442200000	2	Countersunk screw DIN7991 M8x20-A2-70	✓			
95972950002	0,001	Loctite 243 50 ml 95972950002	✓			
57743450000	4	Cylinder screw DIN912 M6x16-A2-70	✓			
57744870000	4	Protective plug 10x5,2x3,1-PE	✓		✓	
96055050000	0,001	Lubricating Oil F.L.5 Oil UH1	✓			
38053903002	1	Clamping Plug	✓			
57431250000	4	Hexagon screw DIN933 M6x25 A2-70	✓			
57767060000	4	Spring lock washer DIN128-A6-FSt	✓			
38053930002	1	Shaft 12f7 x 115	✓			
38018499000	1	Thread Bolt	✓			
38017809000	1	Flexcable FFC 20pol 342mm	✓		✓	

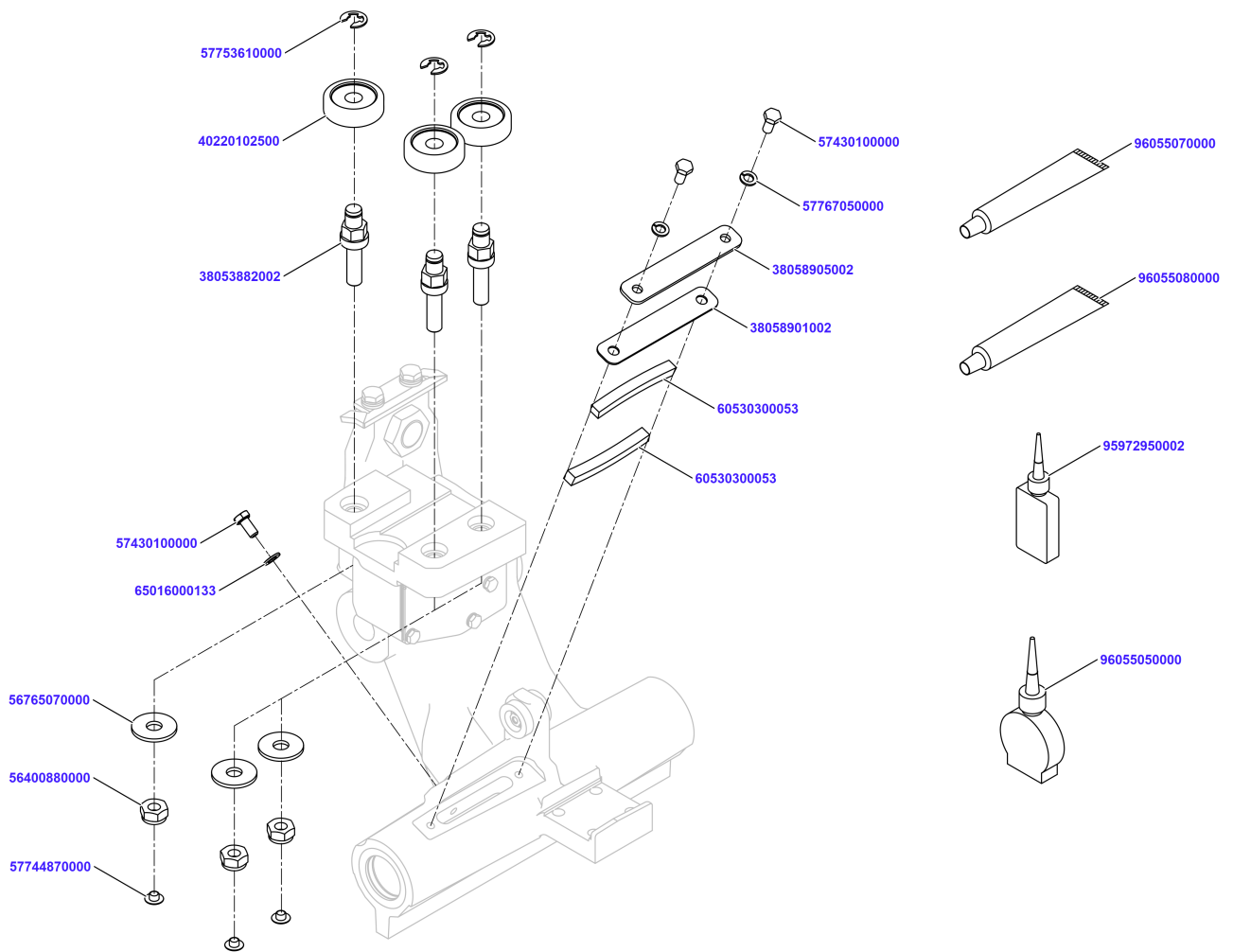
Carriage Guide preass.



Carriage Guide preass.

Material No.	Qty	Material description	available for order	Wear part	Recomm. sp. part	Metr. relevance
38015379002	1	Cover preass.	✓			
38010967000	1	Sealing	✓		✓	
57429080000	4	Hexagon Screw DIN 933 M4x8-A2-70	✓			
57767040000	4	Spring lock washer DIN128-A4-FSt	✓			
38067253003	1	Stop	✓			
57431160000	2	Hexagon Screw DIN 933 M6x16 A2-70	✓			
56739060000	2	Washer DIN125-A-6-A2	✓			
57767060000	2	Spring lock washer DIN128-A6-FSt	✓			
38068570003	1	Hexagon Screw M16xM10x30x19 CuZn	✓			
38124200000	1	Hexagon nut DIN 439 B M16x1.5-A2	✓			
38099374010	2	Rubber Buffer	✓			
57429120000	1	Hexagon Screw DIN 933-M4x12-A-70	✓			
38012465000	1	trust washer	✓			
56456400000	1	Hexagon nut DIN934-M4-A2	✓			
38012465000	1	trust washer	✓			
57431160000	1	Hexagon Screw DIN 933 M6x16 A2-70	✓			

Carriage Guide press.




Carriage Guide preass.

Material No.	Qty	Material description	available for order	Wear part	Recomm. sp. part	Metr. relevance
38053882002	1	Eccentric Bolt 15f8 x 48	✓			
56765070000	3	Washer DIN 9021-8-A2	✓			
56400880000	3	Lock nut DIN985-M8-A2	✓			
95972950002	0,001	Loctite 243 50 ml 95972950002	✓			
57744870000	3	Protective plug 10x5,2x3,1-PE	✓		✓	
40220102500	3	roller	✓	✓	✓	
96055080000	0,001	Kluebersynth UH1 64-62/25kg	✓			
57753610000	3	Retaining Washer DIN6799-7 57753610000	✓			
96055070000	0,001	Grease PARALIQ GA 343	✓			
60530300053	2	lubricating felt	✓			
96055050000	0,001	Lubricating Oil F.L.5 Oil UH1	✓			
38058901002	1	Sealing	✓		✓	
38058905002	1	Cover	✓			
57430100000	3	Hexagon Screw DIN 933-M5x10-A2-7	✓			
57767050000	2	Spring lock washer DIN128-A5-FSt	✓			
65016000133	1	Washer 5-PA 65016000133	✓			

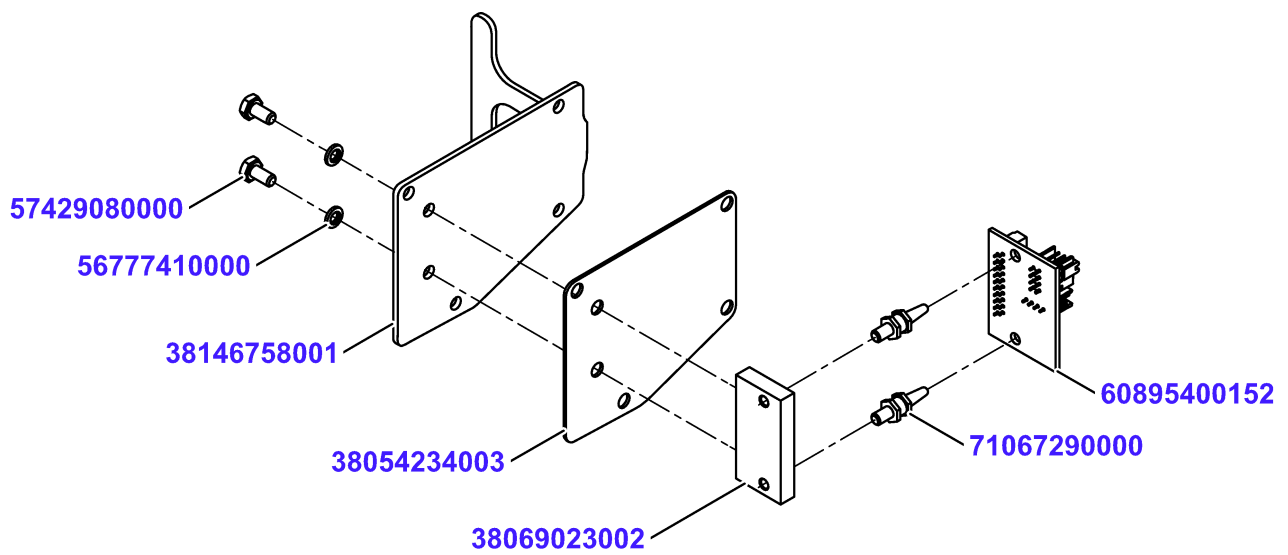
Carriage Guide preass.

Carriage Guide preass.

Material No.	Qty	Material description
38053881002	2	Bolt 14f8 x 48

	available for order	Wear part	Recomm. sp. part	Metr. relevance
---	---------------------	-----------	------------------	-----------------

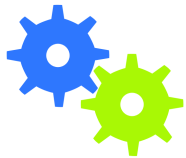
Cover preass.



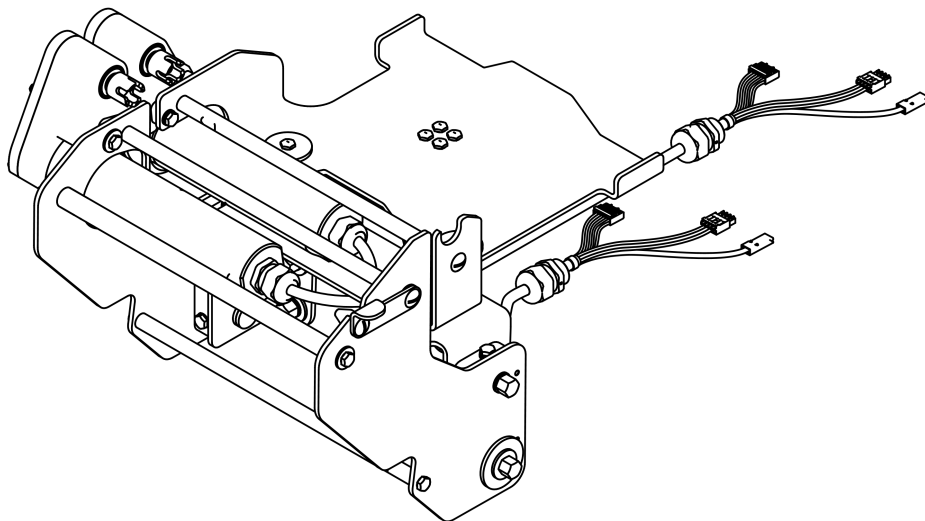
Cover preass.

Material No.	Qty	Material description	available for order	Wear part	Recomm. sp. part	Metr. relevance
38146758001	1	Cover bracket	✓			
38054234003	1	Sealing	✓		✓	
38069023002	1	Holding Block 40x6x20	✓			
57429080000	2	Hexagon Screw DIN 933 M4x8-A2-70	✓			
56777410000	2	Screw seal M4	✓		✓	
71067290000	2	Spacer 6.4 LPR 8520-M4 71067290000	✓			
60895400152	1	PCBA Intermediate Board 1	✓			

Conveyor belt drive



380027610001

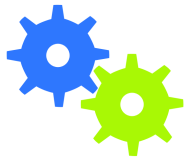


Conveyor belt drive

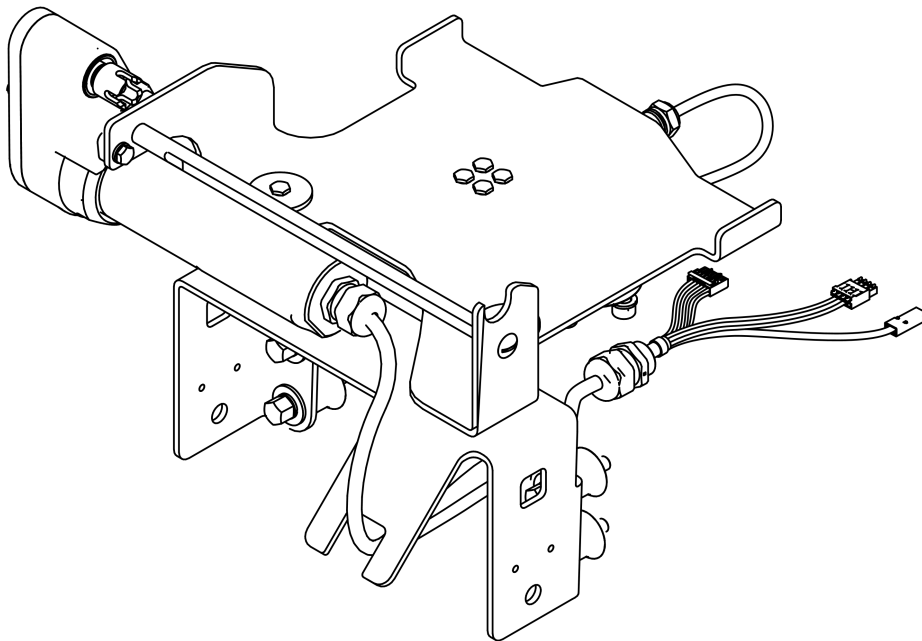
Material No. **Qty** **Material description**

available for order
Wear part
Recomm. sp. part
Metr. relevance

Conveyor belt drive



38058899004



up to device-no. 11432704

Conveyor belt drive

Material No.	Qty	Material description
38058899004	1	Mounting Conveyor Scale cpl

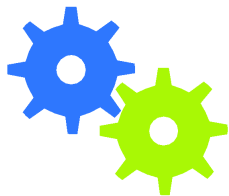
available for order

Wear part

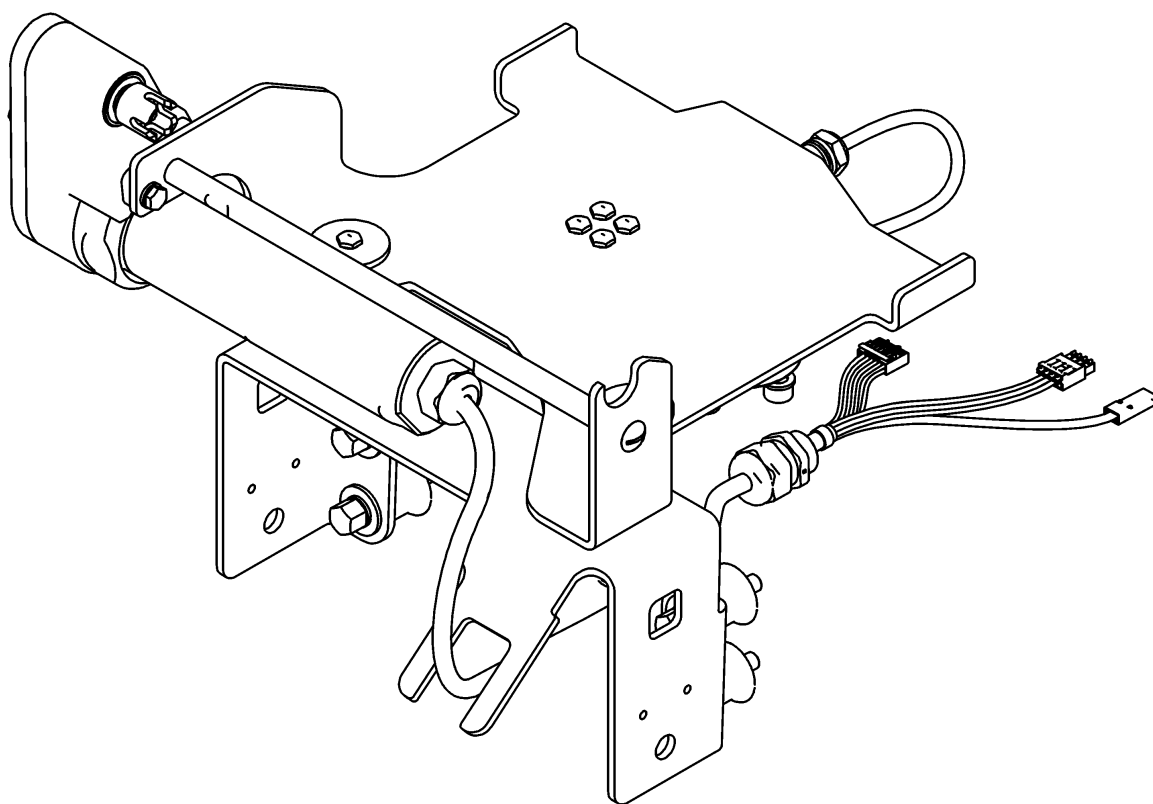
Recomm. sp. part

Metr. relevance

Conveyor belt drive



38058899005



from device-no. 11432705

Conveyor belt drive

Material No.	Qty	Material description
38058899005	1	Mounting Conveyor Scale cpl

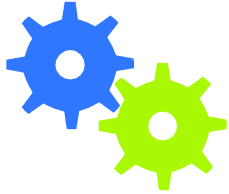
available for order

Wear part

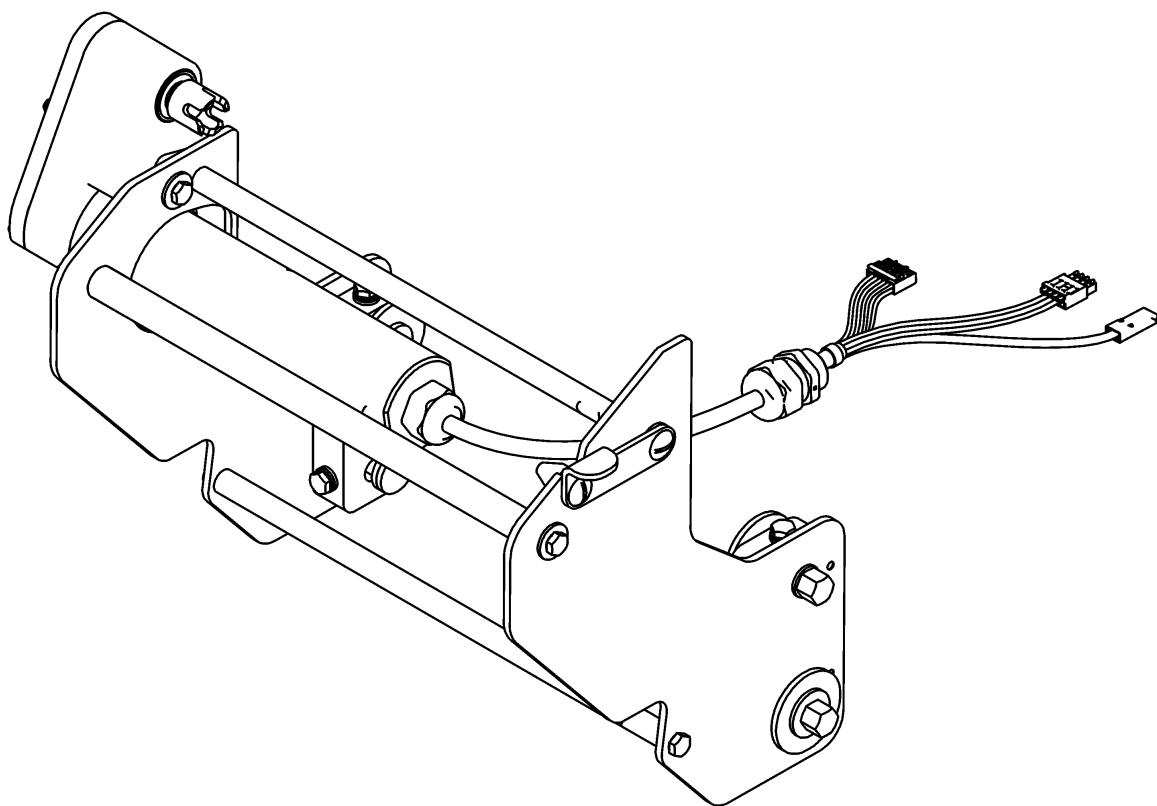
Recomm. sp. part

Metr. relevance

Conveyor belt drive



38058933006



up to 11724276

Conveyor belt drive

Material No.	Qty	Material description
38058933006	1	Mounting Conveyor cpl

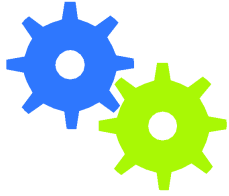
available for order

Wear part

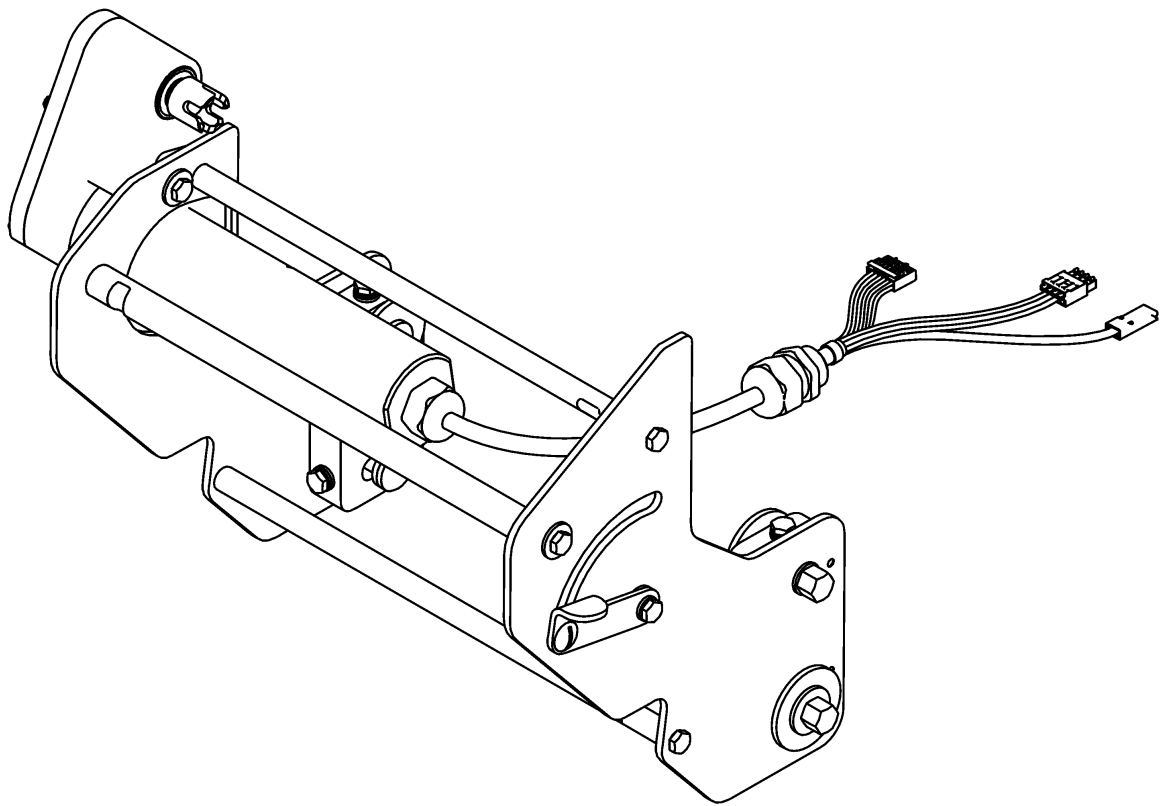
Recomm. sp. part

Metr. relevance

Conveyor belt drive



38116663000



as from 11724277

Conveyor belt drive

Material No.	Qty	Material description
38116663000	1	Mounting Conveyor cpl

available for order

Wear part


Recomm. sp. part

Metr. relevance

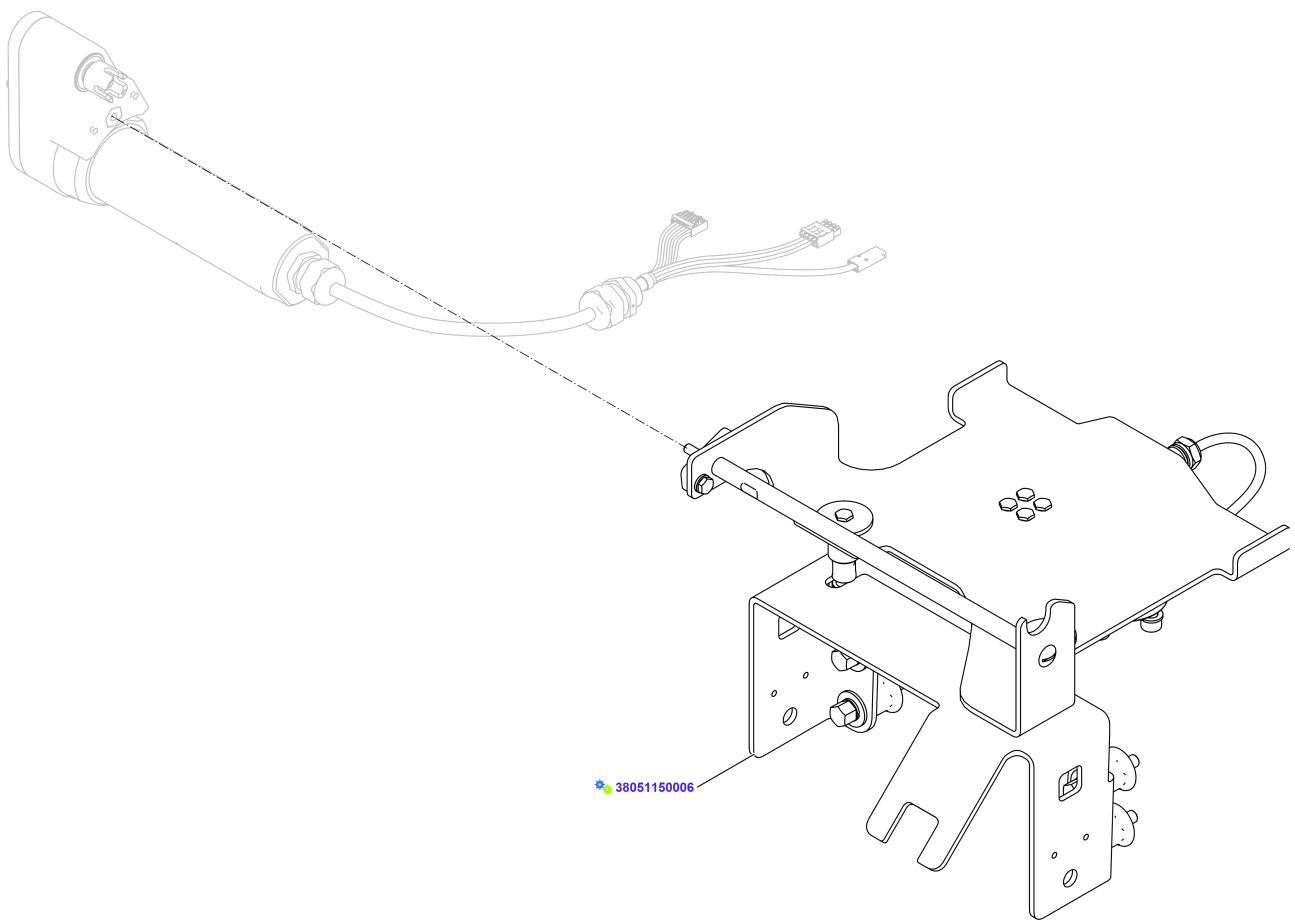
Conveyor belt drive

Conveyor belt drive

Material No.	Qty	Material description
38002761000	1	Service kit VSI TW adaption motor FB

	available for order
	Wear part
	Recomm. sp. part
	Metr. relevance

Mounting Conveyor Scale cpl



Mounting Conveyor Scale cpl

Material No.	Qty	Material description
--------------	-----	----------------------

38051150006	1	Conveyor Scale prem
-----------------------------	---	---------------------

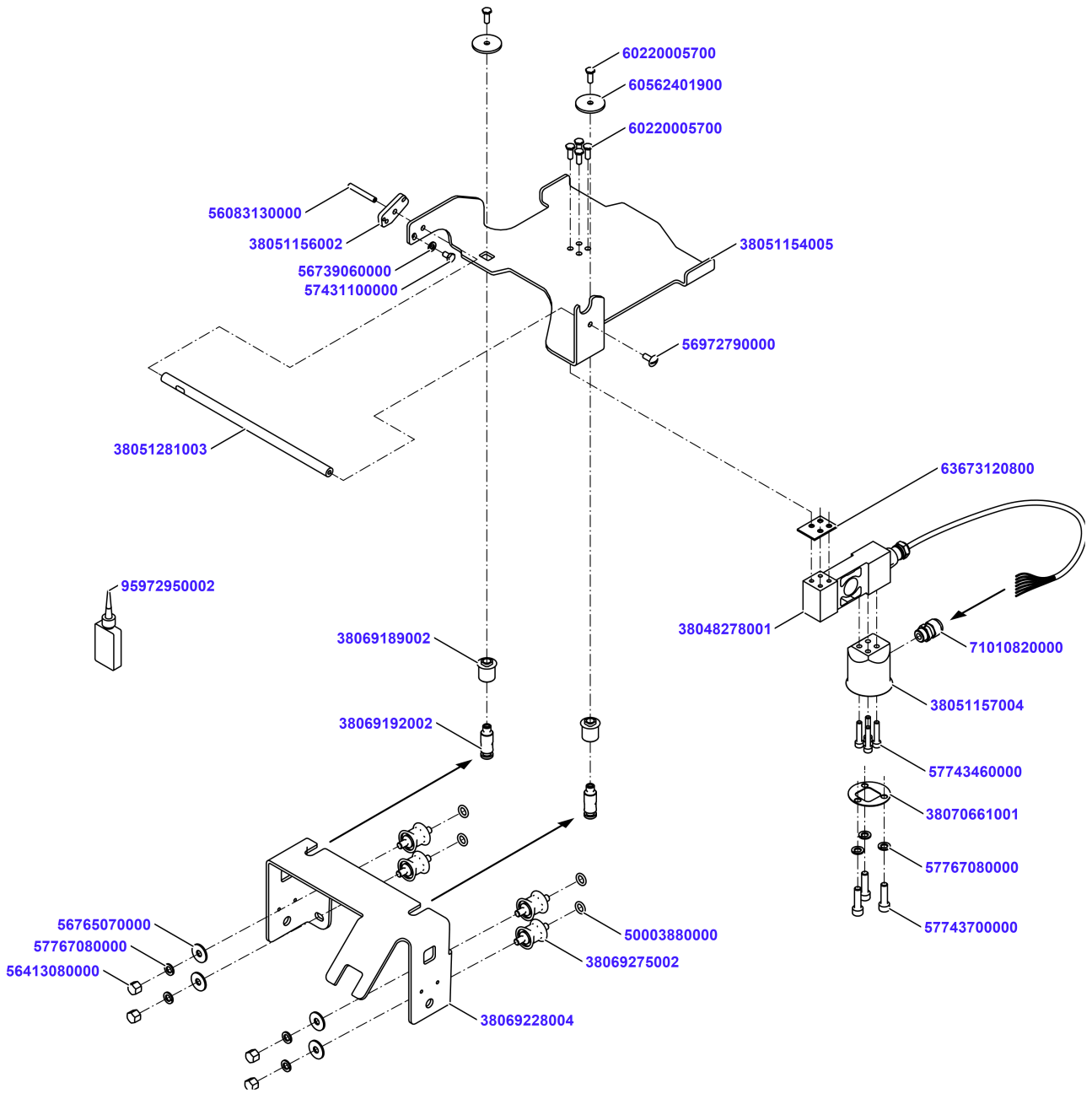
available for order

Wear part

Recomm. sp. part

Metr. relevance

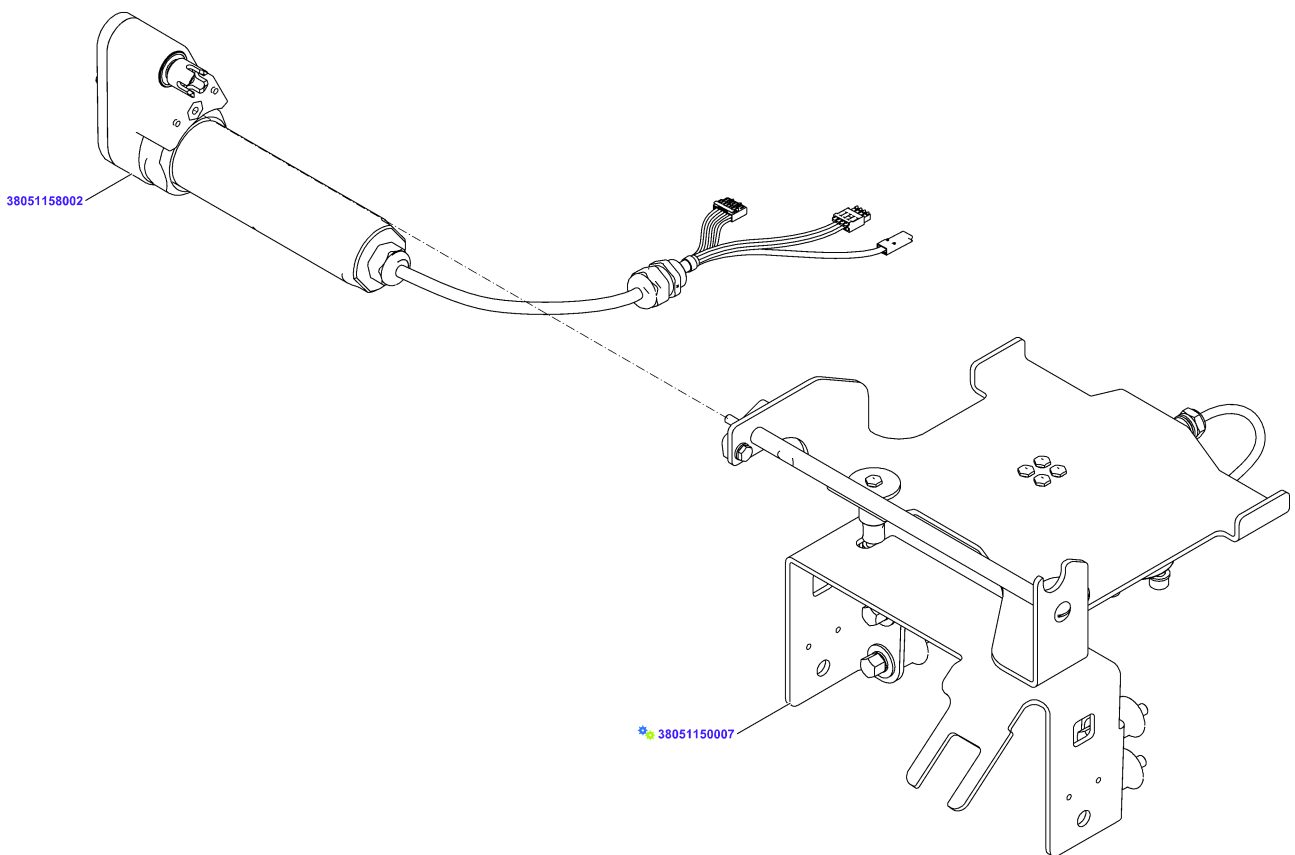
Conveyor Scale prem



Conveyor Scale prem

Material No.	Qty	Material description	available for order	Wear part	Recomm. sp. part	Metr. relevance
38048278001	1	weighing cell with cable 1,30m	✓		✓	
71010820000	1	Cable Gland M16 UL 53111010	✓			
38051157004	1	Distance	✓			
38070661001	1	Sealing	✓		✓	
57743460000	4	Cylinder screw DIN912 M6x30-A2-70	✓			
95972950002	0,001	Loctite 243 50 ml 95972950002	✓			
38051154005	1	Carrier Sheet Metal	✓			
63673120800	1	SPACER BOTTOM/TOP	✓			
60220005700	4	hexagon screw oval-head M 6x16	✓			
38051281003	1	Axis	✓			
56083130000	1	Set screw ISO4026 M6x45-A2-70	✓			
38051156002	1	Spacer	✓			
57431100000	1	Hexagon screw DIN933 M6x10 A2-70	✓			
56739060000	1	Washer DIN125-A-6-A2	✓			
56972790000	1	Mushroom head screw M6x16-A2-70	✓			
38069189002	2	Bushing	✓			
38069192002	2	Bolt	✓			
60220005700	2	hexagon screw oval-head M 6x16	✓			
60562401900	2	Washer 36x6,5x3	✓			
57743700000	3	Cylinder screw DIN912 M8x30-A2-70	✓			
57767080000	3	Spring lock washer DIN128-A8-A2	✓			
38069228004	1	Mounting Plate	✓			
38069275002	4	Distance M8	✓			
50003880000	4	O-ring 16x3 EPDM	✓			
56413080000	4	Cap nut DIN917-M8-A2	✓			
56765070000	4	Washer DIN 9021-8-A2	✓			
57767080000	4	Spring lock washer DIN128-A8-A2	✓			

Mounting Conveyor Scale cpl



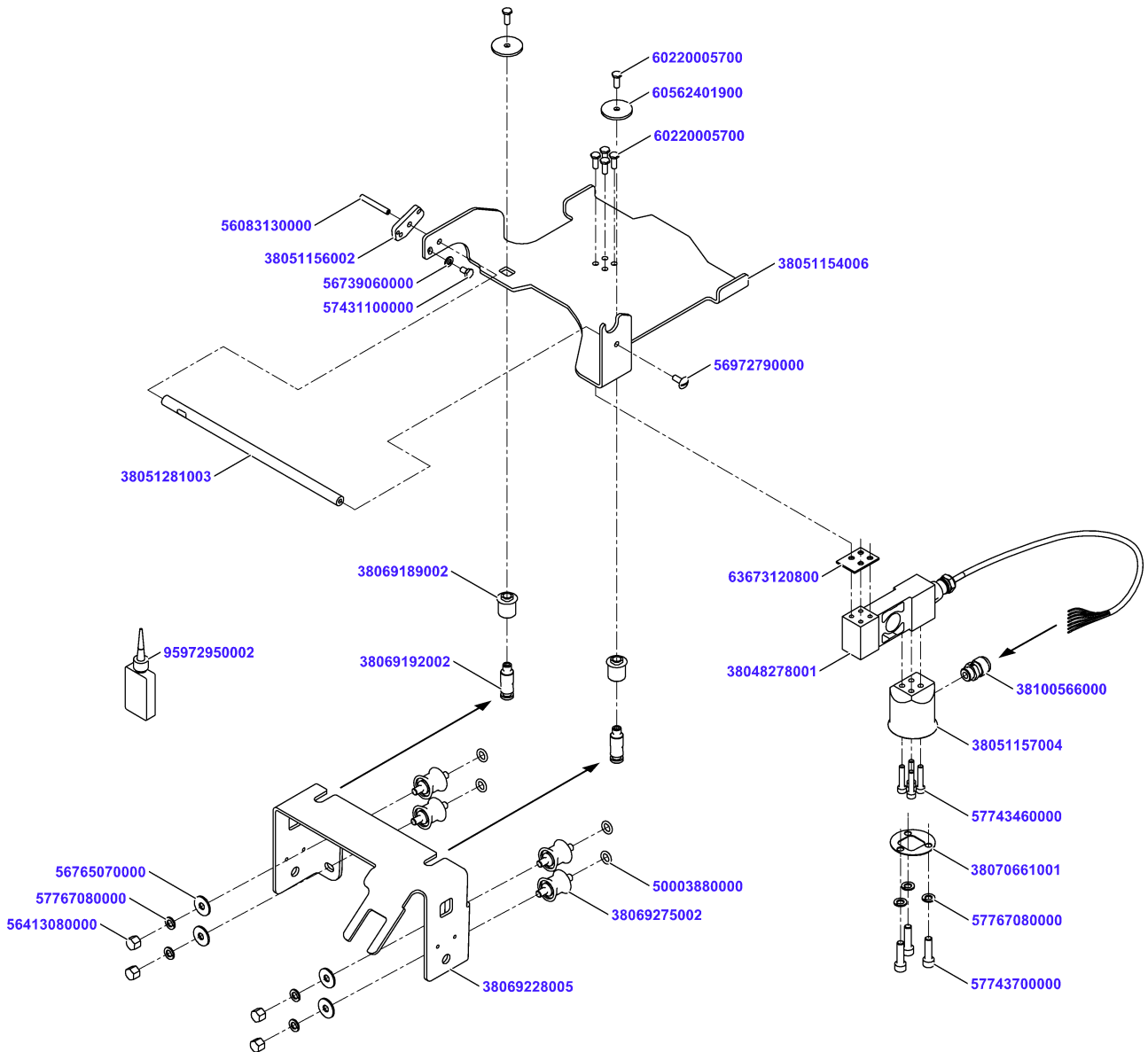
Mounting Conveyor Scale cpl

Material No.	Qty	Material description
38051150007	1	Conveyor Scale prem
38051158002	1	Drive Part cpl

available for order
Wear part
Recomm. sp. part
Metr. relevance



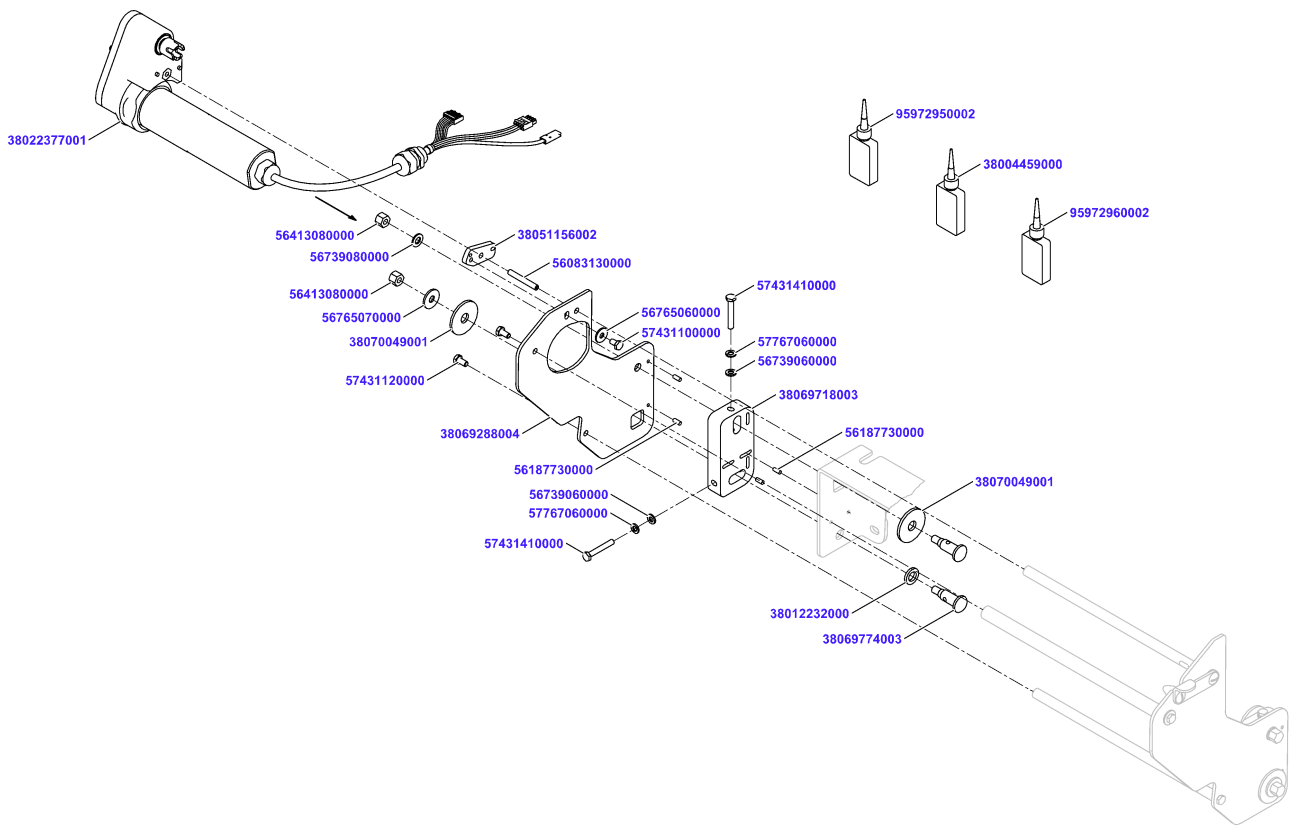
Conveyor Scale prem



Conveyor Scale prem

Material No.	Qty	Material description	available for order	Wear part	Recomm. sp. part	Metr. relevance
38048278001	1	weighing cell with cable 1,30m	✓		✓	
38100566000	1	Cable gland Skintop ST-M M16x1,5 black	✓			
38051157004	1	Distance	✓			
38070661001	1	Sealing	✓		✓	
57743460000	4	Cylinder screw DIN912 M6x30-A2-70	✓			
95972950002	5	Loctite 243 50 ml 95972950002	✓			
38051154006	1	Carrier Sheet Metal	✓			
63673120800	1	SPACER BOTTOM/TOP	✓			
60220005700	6	hexagon screw oval-head M 6x16	✓			
38051281003	1	Axis	✓			
56083130000	1	Set screw ISO4026 M6x45-A2-70	✓			
38051156002	1	Spacer	✓			
57431100000	1	Hexagon screw DIN933 M6x10 A2-70	✓			
56739060000	1	Washer DIN125-A-6-A2	✓			
56972790000	1	Mushroom head screw M6x16-A2-70	✓			
38069189002	2	Bushing	✓			
38069192002	2	Bolt	✓			
60562401900	2	Washer 36x6,5x3	✓			
57743700000	3	Cylinder screw DIN912 M8x30-A2-70	✓			
57767080000	3	Spring lock washer DIN128-A8-A2	✓			
38069228005	1	Mounting Plate	✓			
38069275002	4	Distance M8	✓			
50003880000	4	O-ring 16x3 EPDM	✓			
56413080000	4	Cap nut DIN917-M8-A2	✓			
56765070000	4	Washer DIN 9021-8-A2	✓			
57767080000	4	Spring lock washer DIN128-A8-A2	✓			

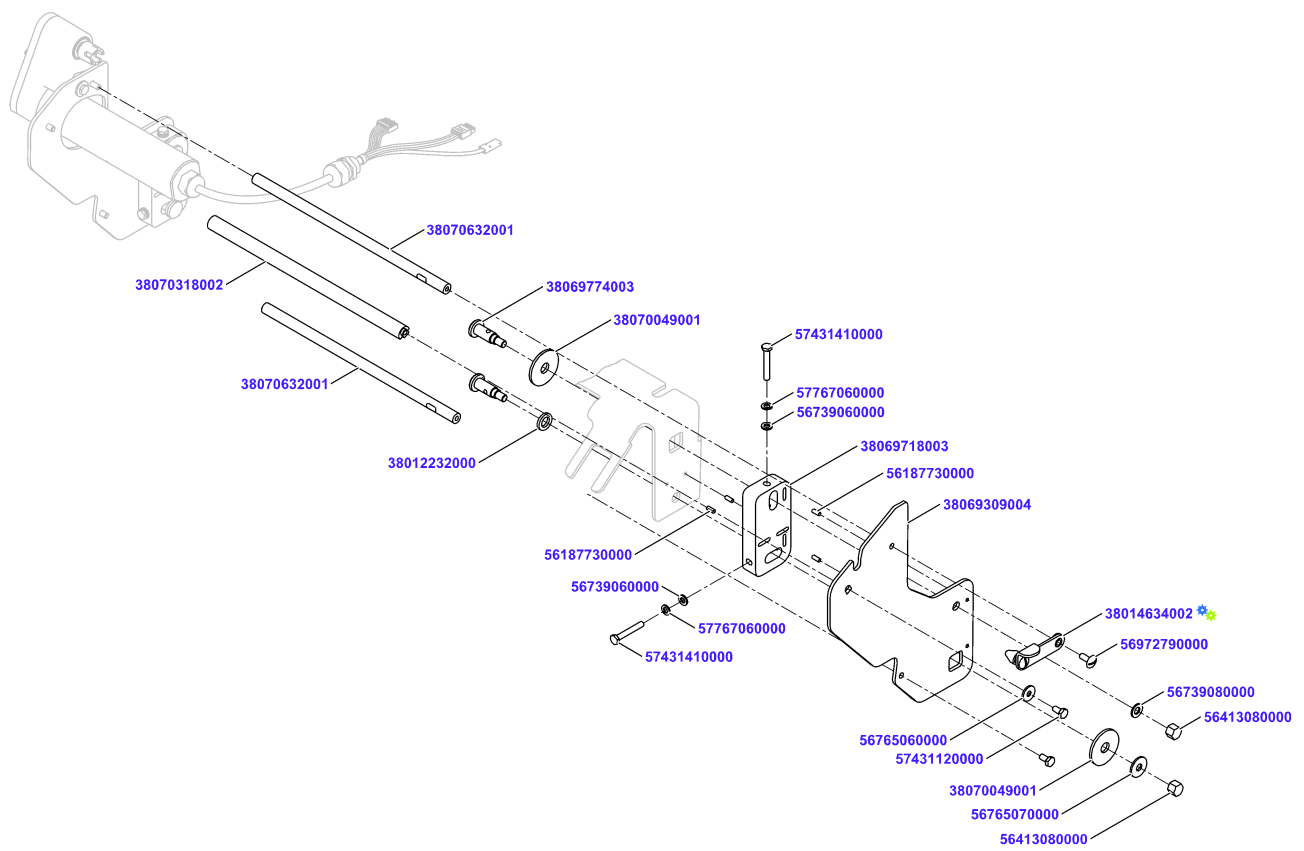
Mounting Conveyor cpl

























Mounting Conveyor cpl

Material No.	Qty	Material description	available for order	Wear part	Recomm. sp. part	Metr. relevance
38069288004	1	Mounting	✓			
56187730000	4	Parallel/Cylindrical Pin DIN 7-4m6x10-A2	✓			
38004459000	0,001	Loctite 648	✓			
95972960002	0,001	Loctite 7649 500ml	✓			
38069718003	2	Plate 107x54x20	✓			
57431410000	4	Hexagon screw DIN933 M6x40 A2-70	✓			
56739060000	4	Washer DIN125-A-6-A2	✓			
38069774003	4	Bolt	✓			
38070049001	2	Washer	✓			
38012232000	2	Washer	✓			
56413080000	4	Cap nut DIN917-M8-A2	✓			
95972950002	0,001	Loctite 243 50 ml 95972950002	✓			
56739080000	2	Washer DIN125-A-8-A2	✓			
38070049001	2	Washer	✓			
38022377001	1	Drive Part cpl	✓			
56083130000	1	Set screw ISO4026 M6x45-A2-70	✓			
38051156002	1	Spacer	✓			
57431100000	1	Hexagon screw DIN933 M6x10 A2-70	✓			
56765060000	1	Washer DIN9021-6-A2	✓			
57431120000	2	Hexagon Screw DIN 933-M6x12-A2-7	✓			
57431120000	2	Hexagon Screw DIN 933-M6x12-A2-7	✓			
56765060000	1	Washer DIN9021-6-A2	✓			
56187730000	4	Parallel/Cylindrical Pin DIN 7-4m6x10-A2	✓			
57767060000	4	Spring lock washer DIN128-A6-FSt	✓			
56765070000	2	Washer DIN 9021-8-A2	✓			

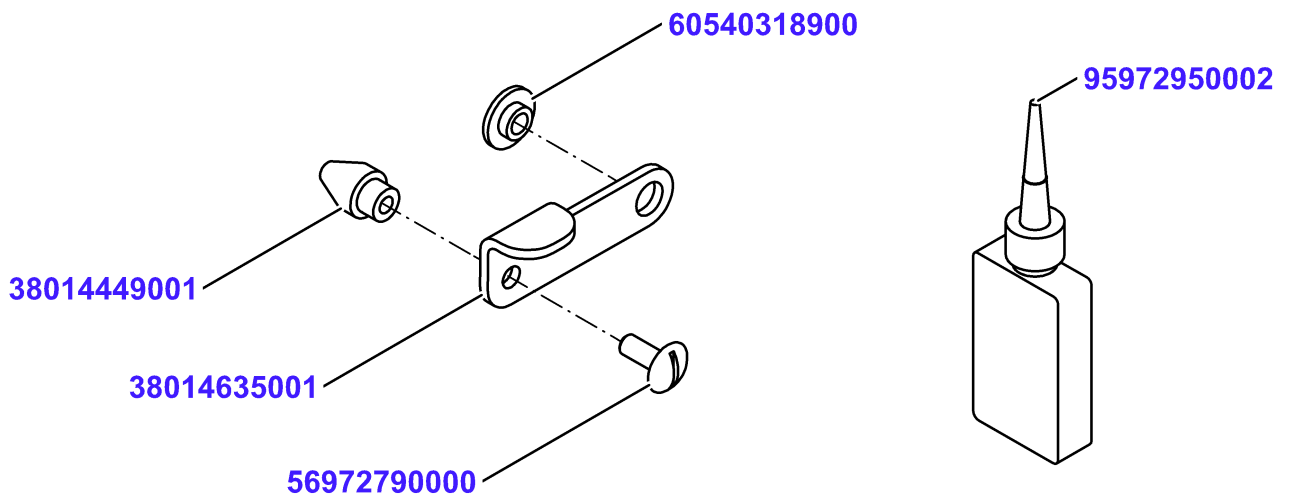
Mounting Conveyor cpl








Mounting Conveyor cpl

Material No.	Qty	Material description	available for order	Wear part	Recomm. sp. part	Metr. relevance
38069309004	1	Mounting				
56187730000	4	Parallel/Cylindrical Pin DIN 7-4m6x10-A2				
38069718003	2	Plate 107x54x20				
57431410000	4	Hexagon screw DIN933 M6x40 A2-70				
56739060000	4	Washer DIN125-A-6-A2				
38069774003	4	Bolt				
38070049001	2	Washer				
38012232000	2	Washer				
56413080000	4	Cap nut DIN917-M8-A2				
56739080000	2	Washer DIN125-A-8-A2				
38070049001	2	Washer				
56765060000	1	Washer DIN9021-6-A2				
38070632001	2	Axis				
57431120000	2	Hexagon Screw DIN 933-M6x12-A2-7				
38014634002	1	Lock cpl				
56972790000	1	Mushroom head screw M6x16-A2-70				
38070318002	1	Locking axle 16x295				
57431120000	2	Hexagon Screw DIN 933-M6x12-A2-7				
56765060000	1	Washer DIN9021-6-A2				
56187730000	4	Parallel/Cylindrical Pin DIN 7-4m6x10-A2				
57767060000	4	Spring lock washer DIN128-A6-FSt				
56765070000	2	Washer DIN 9021-8-A2				

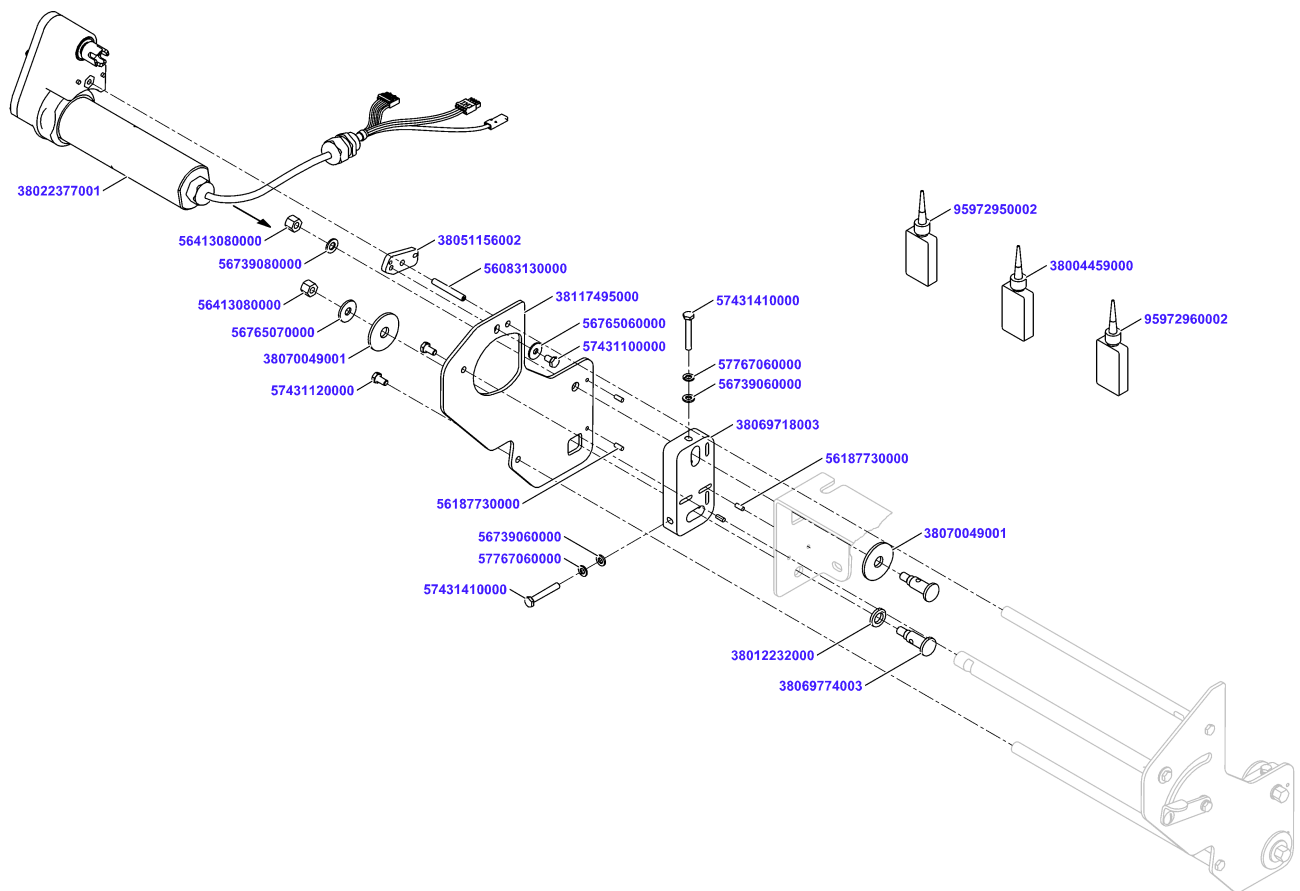
Lock cpl



Lock cpl

Material No.	Qty	Material description	available for order	Wear part	Recomm. sp. part	Metr. relevance
38014635001	1	Fastener				
38014449001	1	Lock				
56972790000	1	Mushroom head screw M6x16-A2-70				
95972950002	0,001	Loctite 243 50 ml 95972950002				
60540318900	1	bushing				

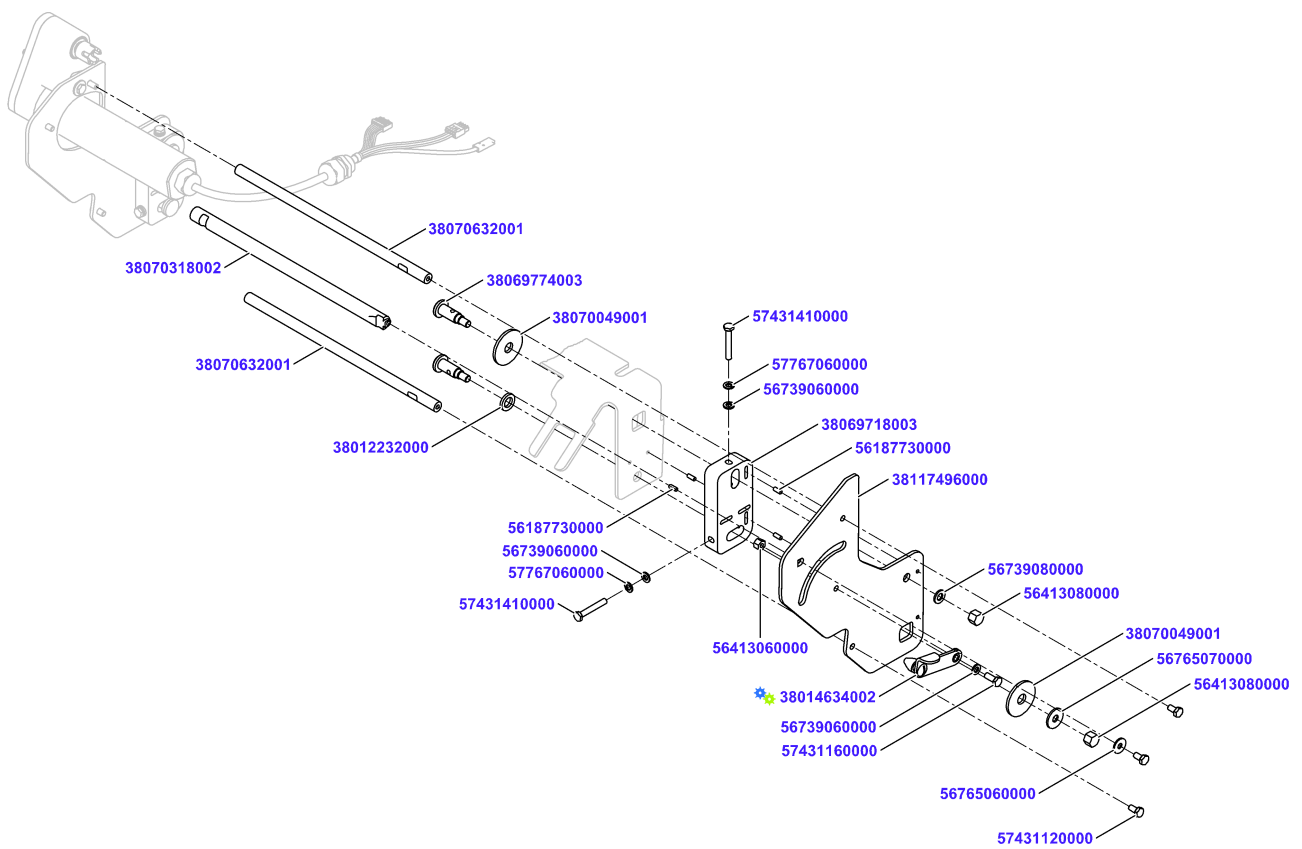
Mounting Conveyor cpl



Mounting Conveyor cpl

Material No.	Qty	Material description	available for order	Wear part	Recomm. sp. part	Metr. relevance
38117495000	1	Mounting 246 x 219 x 4				
56187730000	4	Parallel/Cylindrical Pin DIN 7-4m6x10-A2				
38004459000	0,001	Loctite 648				
95972960002	0,001	Loctite 7649 500ml				
38069718003	2	Plate 107x54x20				
57431410000	4	Hexagon screw DIN933 M6x40 A2-70				
56739060000	4	Washer DIN125-A-6-A2				
38069774003	4	Bolt				
38070049001	2	Washer				
38012232000	2	Washer				
56413080000	4	Cap nut DIN917-M8-A2				
95972950002	0,001	Loctite 243 50 ml 95972950002				
56739080000	2	Washer DIN125-A-8-A2				
38070049001	2	Washer				
38022377001	1	Drive Part cpl				
56083130000	1	Set screw ISO4026 M6x45-A2-70				
38051156002	1	Spacer				
57431100000	1	Hexagon screw DIN933 M6x10 A2-70				
56765060000	1	Washer DIN9021-6-A2				
57431120000	2	Hexagon Screw DIN 933-M6x12-A2-7				
57431120000	1	Hexagon Screw DIN 933-M6x12-A2-7				
57431120000	2	Hexagon Screw DIN 933-M6x12-A2-7				
56765060000	1	Washer DIN9021-6-A2				
56187730000	4	Parallel/Cylindrical Pin DIN 7-4m6x10-A2				
57767060000	4	Spring lock washer DIN128-A6-FSt				
56765070000	2	Washer DIN 9021-8-A2				
56739060000	1	Washer DIN125-A-6-A2				

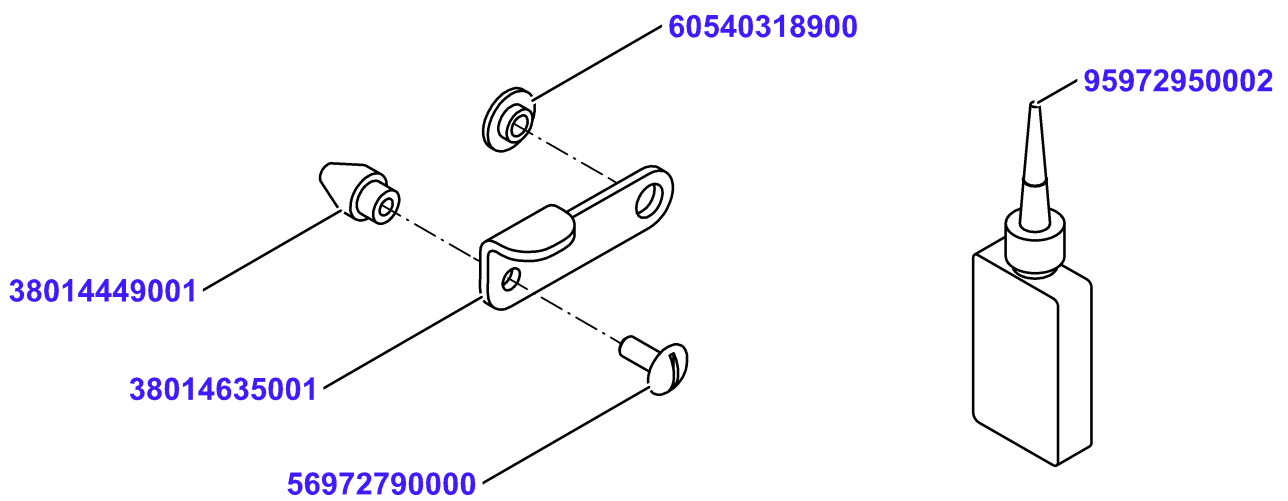
Mounting Conveyor cpl








Mounting Conveyor cpl

Material No.	Qty	Material description	available for order	Wear part	Recomm. sp. part	Metr. relevance
38117496000	1	Mounting 275,6 x 219 x 4	✓			
56187730000	4	Parallel/Cylindrical Pin DIN 7-4m6x10-A2	✓			
38069718003	2	Plate 107x54x20	✓			
57431410000	4	Hexagon screw DIN933 M6x40 A2-70	✓			
56739060000	4	Washer DIN125-A-6-A2	✓			
38069774003	4	Bolt	✓			
38070049001	2	Washer	✓			
38012232000	2	Washer	✓			
56413080000	4	Cap nut DIN917-M8-A2	✓			
56739080000	2	Washer DIN125-A-8-A2	✓			
38070049001	2	Washer	✓			
56765060000	1	Washer DIN9021-6-A2	✓			
38070632001	2	Axis	✓			
57431120000	2	Hexagon Screw DIN 933-M6x12-A2-7	✓			
38014634002	1	Lock cpl	✓			
57431120000	1	Hexagon Screw DIN 933-M6x12-A2-7	✓			
38070318002	1	Locking axle 16x295	✓			
57431120000	2	Hexagon Screw DIN 933-M6x12-A2-7	✓			
56765060000	1	Washer DIN9021-6-A2	✓			
56187730000	4	Parallel/Cylindrical Pin DIN 7-4m6x10-A2	✓			
57767060000	4	Spring lock washer DIN128-A6-FSt	✓			
56765070000	2	Washer DIN 9021-8-A2	✓			
57431160000	1	Hexagon Screw DIN 933 M6x16 A2-70	✓			
56739060000	1	Washer DIN125-A-6-A2	✓			
56413060000	1	Cap nut DIN917-M6-A2	✓			

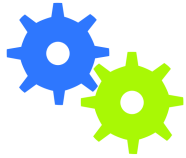
Lock cpl



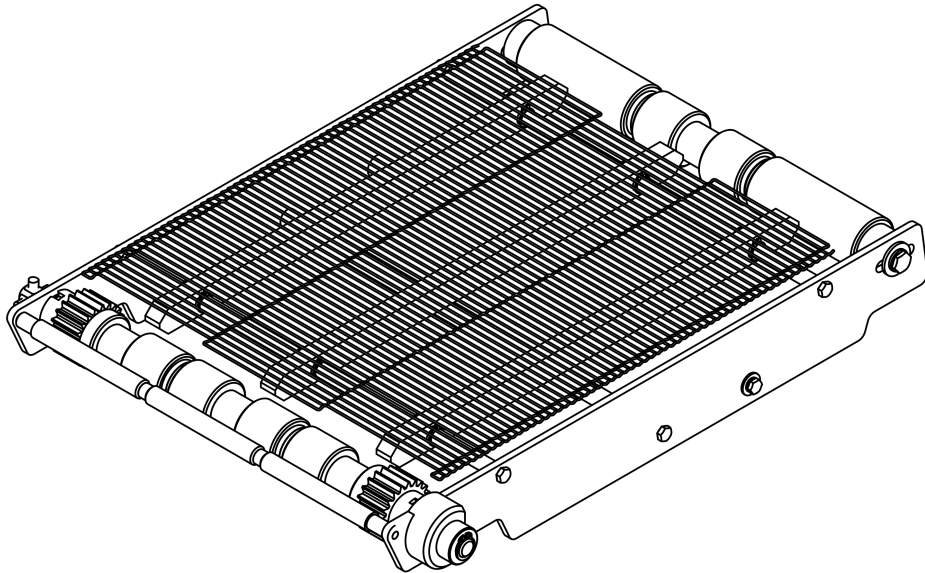
Lock cpl

Material No.	Qty	Material description	available for order	Wear part	Recomm. sp. part	Metr. relevance
38014635001	1	Fastener				
38014449001	1	Lock				
56972790000	1	Mushroom head screw M6x16-A2-70				
95972950002	0,001	Loctite 243 50 ml 95972950002				
60540318900	1	bushing				

Conveyor belts




38051139004



Conveyor belts

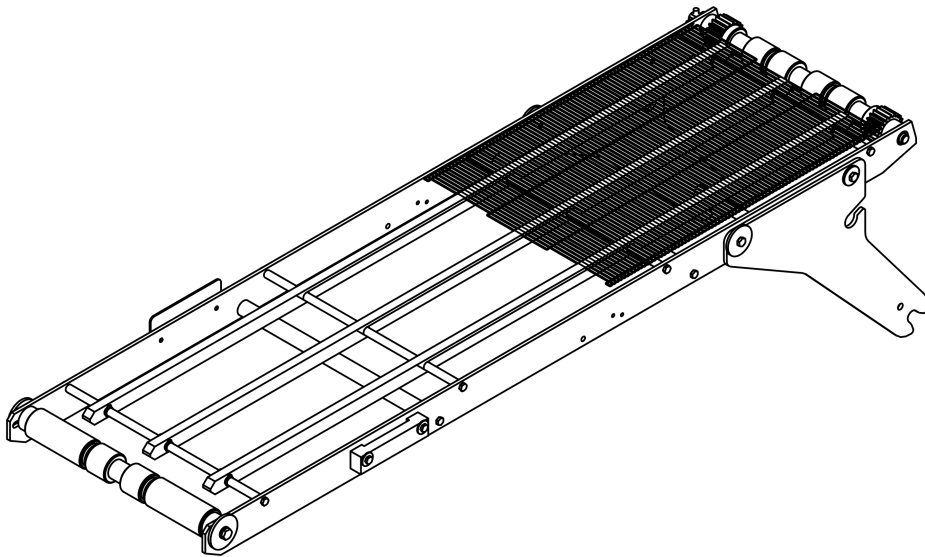
Material No.	Qty	Material description
38051139004	1	Conveyor Belt 325mm cpl.

	available for order
	Wear part
	Recomm. sp. part
	Metr. relevance

Conveyor belts



38051267007



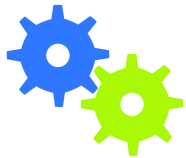
up to 11724276

Conveyor belts

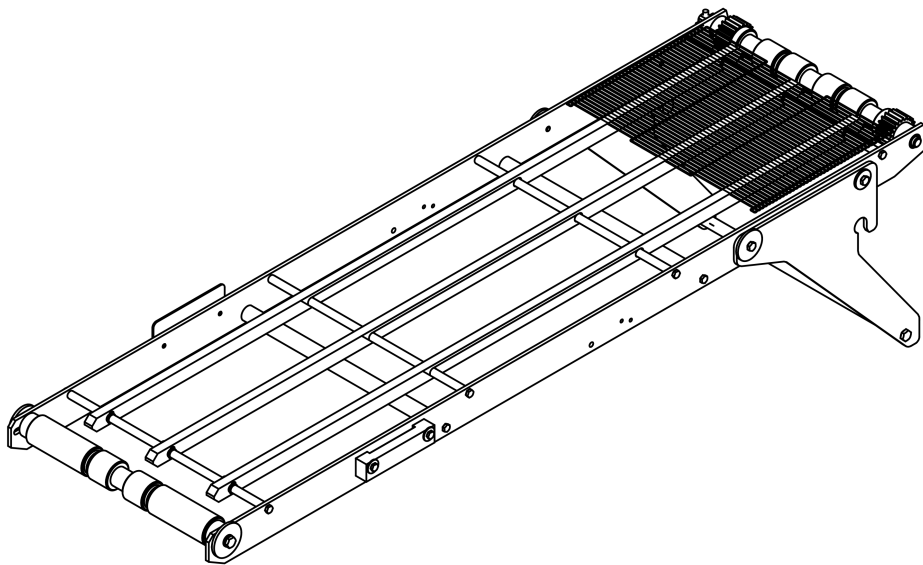
available for order
Wear part
Recomm. sp. part
Metr. relevance

Material No.	Qty	Material description
38051267007	1	Conveyor Belt 910mm cpl

Conveyor belts



38051267009



as from 11724277

Conveyor belts

Material No.	Qty	Material description
38051267009	1	Conveyor Belt 910 mm cpl

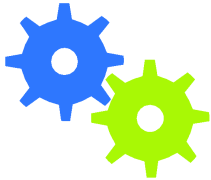
available for order

Wear part

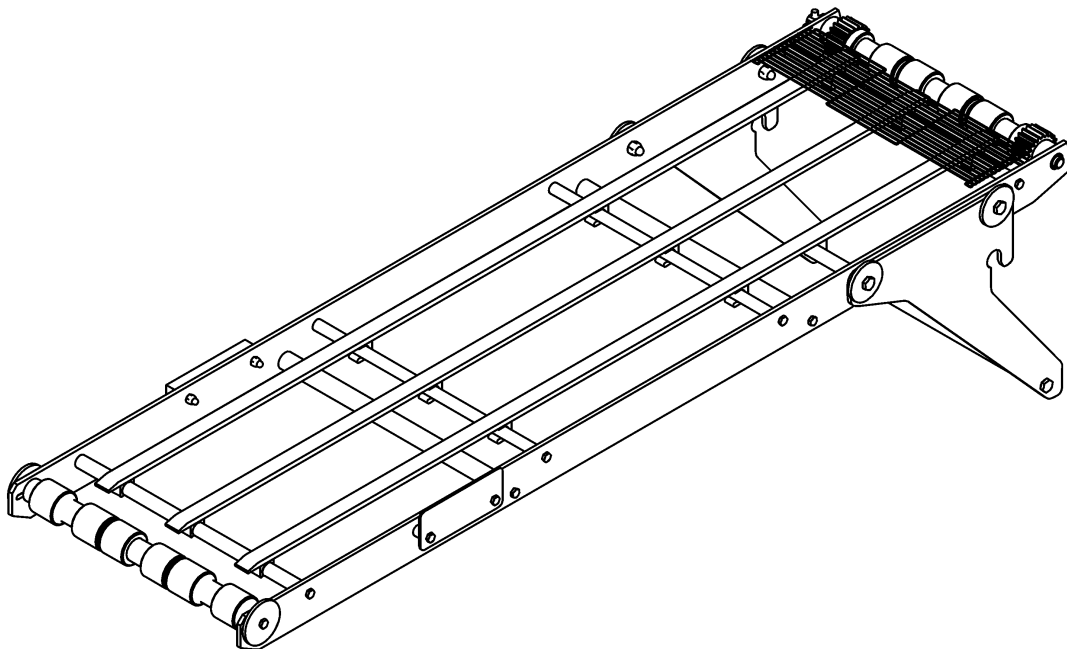
Recomm. sp. part

Metr. relevance

Conveyor belts



38116503000

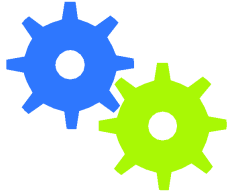


Conveyor belts

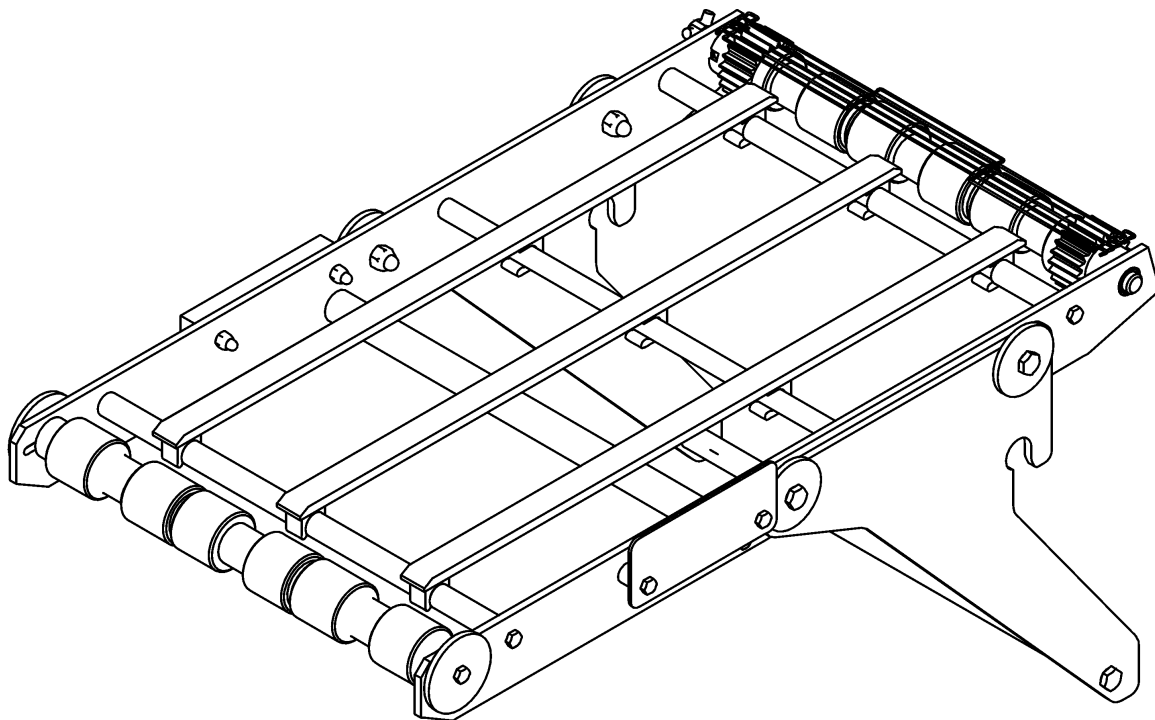
available for order
Wear part
Recomm. sp. part
Metr. relevance

Material No.	Qty	Material description
38116503000	1	Conveyor Belt 910 mm cpl

Conveyor belts



38116704000

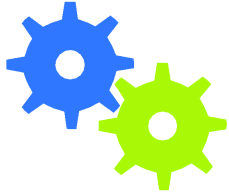


Conveyor belts

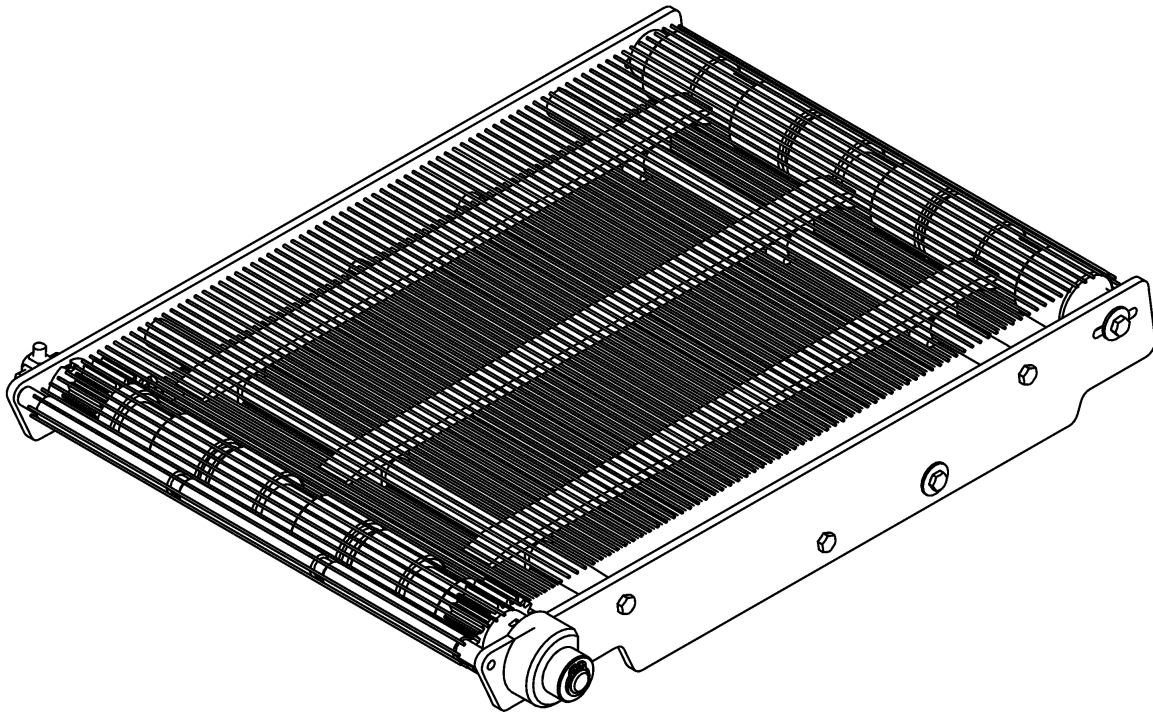
available for order
Wear part
Recomm. sp. part
Metr. relevance

Material No.	Qty	Material description
38116704000	1	Conveyor belt 475 mm cpl

Conveyor belts



38118261000

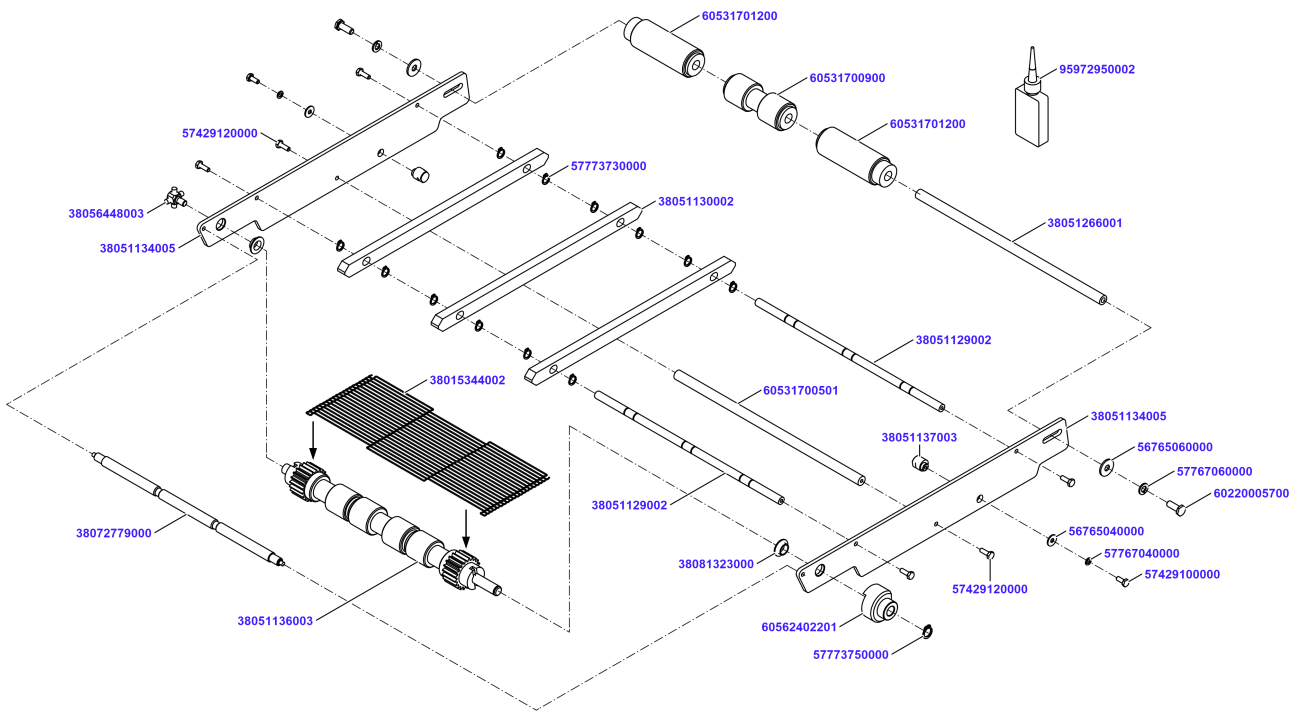


Conveyor belts

available for order
Wear part
Recomm. sp. part
Metr. relevance

Material No.	Qty	Material description
38118261000	1	Conveyor Belt 325 mm cpl.

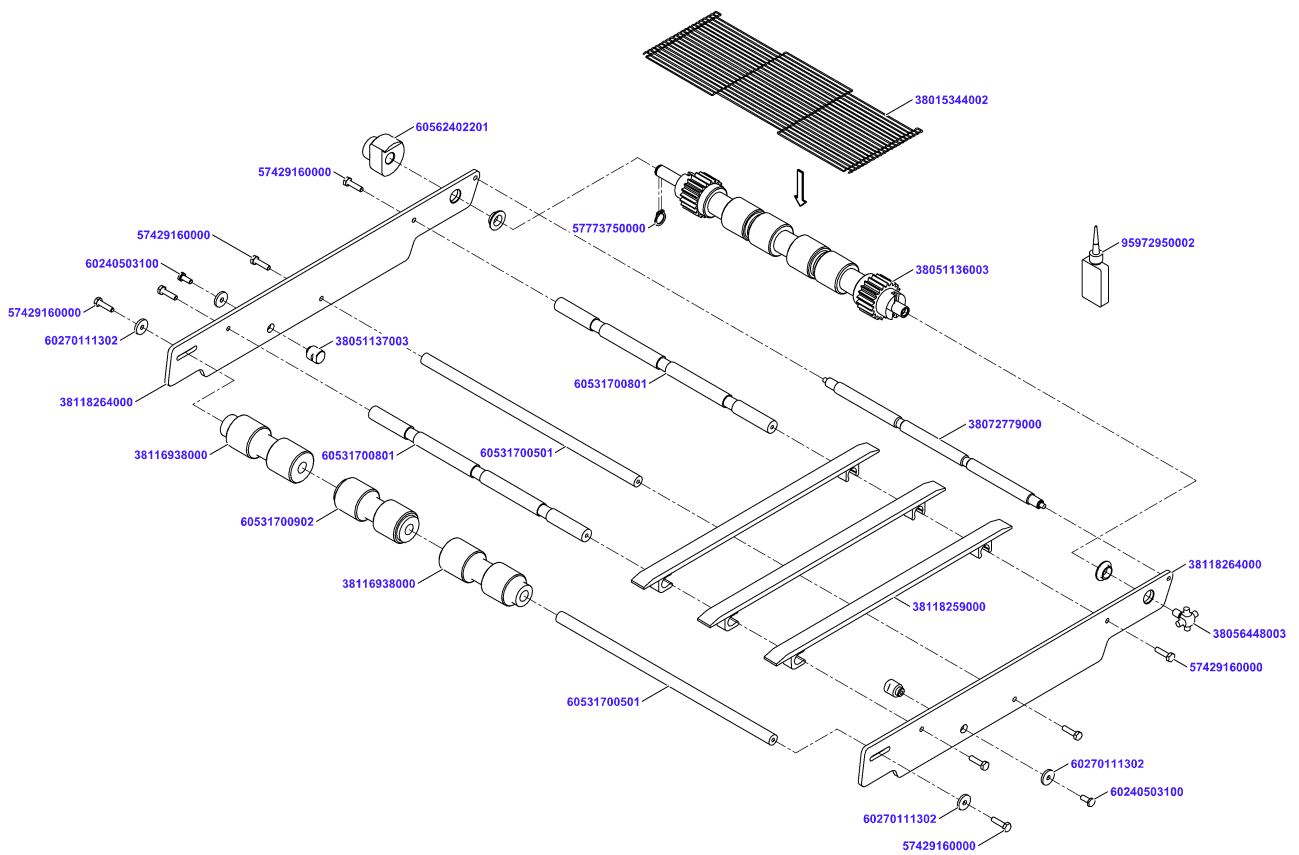
Conveyor Belt 325mm cpl.



Conveyor Belt 325mm cpl.

Material No.	Qty	Material description	available for order	Wear part	Recomm. sp. part	Metr. relevance
38051134005	2	Side Part	✓			
38051136003	1	Drive Shaft preass	✓			
38056448003	1	Coupling Element	✓		✓	
95972950002	0,001	Loctite 243 50 ml 95972950002	✓			
38051130002	3	Guiding Bar	✓			
38051129002	2	Spacer Stud	✓			
57773730000	12	Retaining ring DIN471-8x0,8	✓			
38072779000	1	Pulley cpl	✓			
57429120000	4	Hexagon Screw DIN 933-M4x12-A-70	✓			
38051266001	1	Axis	✓			
60531701200	2	guide roller	✓			
60531700900	1	PULLEY	✓			
60220005700	2	hexagon screw oval-head M 6x16	✓			
57767060000	2	Spring lock washer DIN128-A6-FSt	✓			
56765060000	2	Washer DIN9021-6-A2	✓			
38051137003	2	Bolt	✓			
57429100000	2	Hexagon Screw DIN933 M4x10 A2-70	✓			
56765040000	2	Washer DIN9021-4-A2	✓			
57767040000	2	Spring lock washer DIN128-A4-FSt	✓			
60531700501	1	Axle 10 x 257	✓			
57429120000	2	Hexagon Screw DIN 933-M4x12-A-70	✓			
57773750000	1	Retaining Ring DIN471-10x1 57773750000	✓			
60562402201	1	roller	✓			
38015344002	1	Netting Ribbon	✓		✓	
38081323000	2	Sleeve Bearing 1012-5	✓		✓	

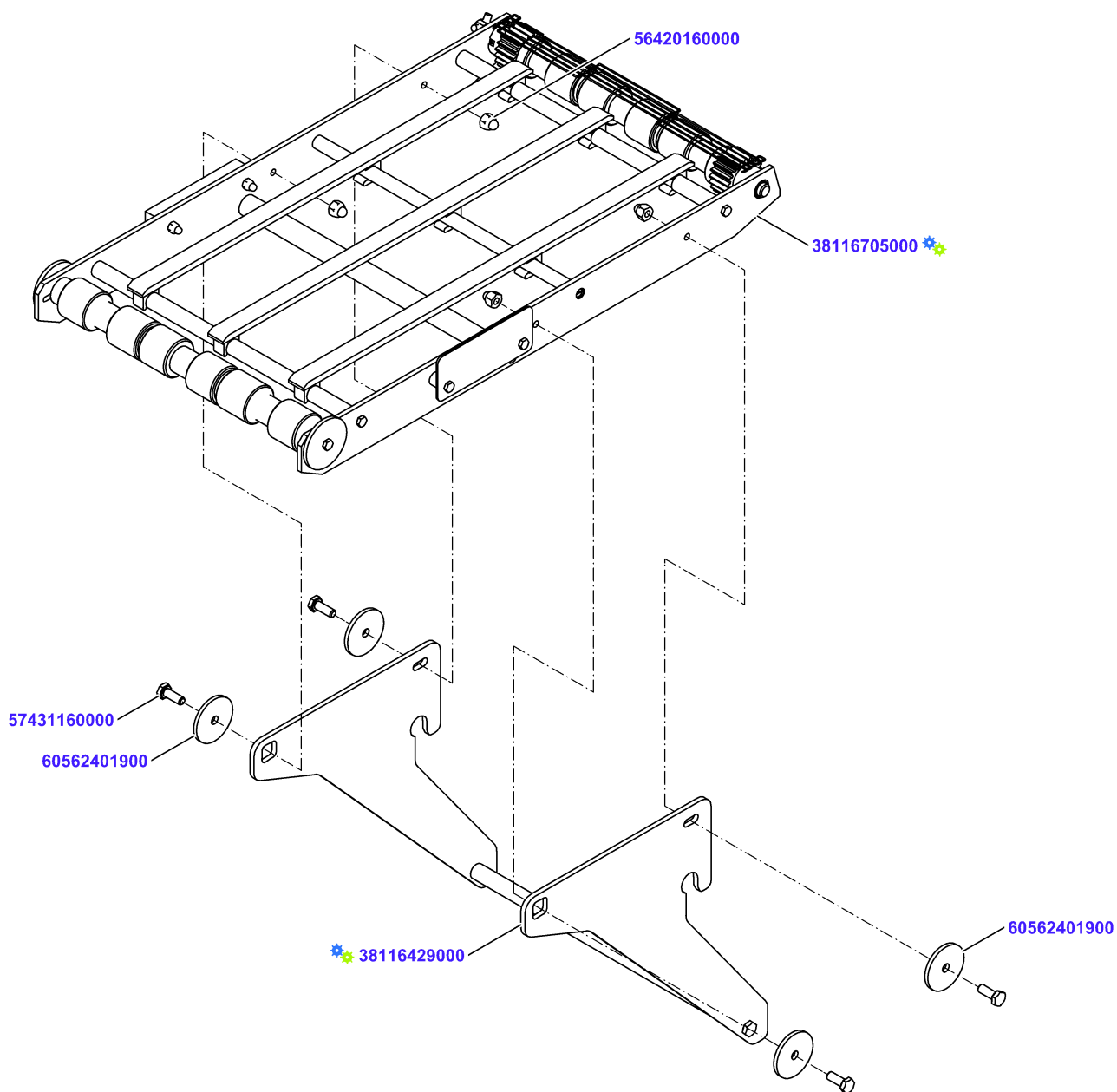
Conveyor Belt 325 mm cpl.



Conveyor Belt 325 mm cpl.

Material No.	Qty	Material description	available for order	Wear part	Recomm. sp. part	Metr. relevance
38118264000	2	Side Part 375 x 50 x 4	✓			
38051136003	1	Drive Shaft preass	✓			
38056448003	1	Coupling Element	✓		✓	
95972950002	0,001	Loctite 243 50 ml 95972950002	✓			
38118259000	3	Ledge preassembled 284 x 15 x 5	✓			
60531700801	2	Fixing Axle 12 x 257	✓			
38072779000	1	Pulley cpl	✓			
57429160000	4	Hexagon Screw DIN 933-M4x16-A2-7	✓			
60531700501	1	Axle 10 x 257	✓			
38116938000	2	Bushing 30 x 10,15 x 88,6	✓			
60531700902	1	Roller	✓			
57429160000	2	Hexagon Screw DIN 933-M4x16-A2-7	✓			
60270111302	2	Washer	✓			
38051137003	2	Bolt	✓			
60240503100	2	Hexagon screw DIN 933 M4x10-A2-70	✓			
60270111302	2	Washer	✓			
60531700501	1	Axle 10 x 257	✓			
57429160000	2	Hexagon Screw DIN 933-M4x16-A2-7	✓			
57773750000	1	Retaining Ring DIN471-10x1 57773750000	✓			
60562402201	1	roller	✓			
38015344002	1	Netting Ribbon	✓		✓	
38081323000	2	Sleeve Bearing 1012-5	✓		✓	

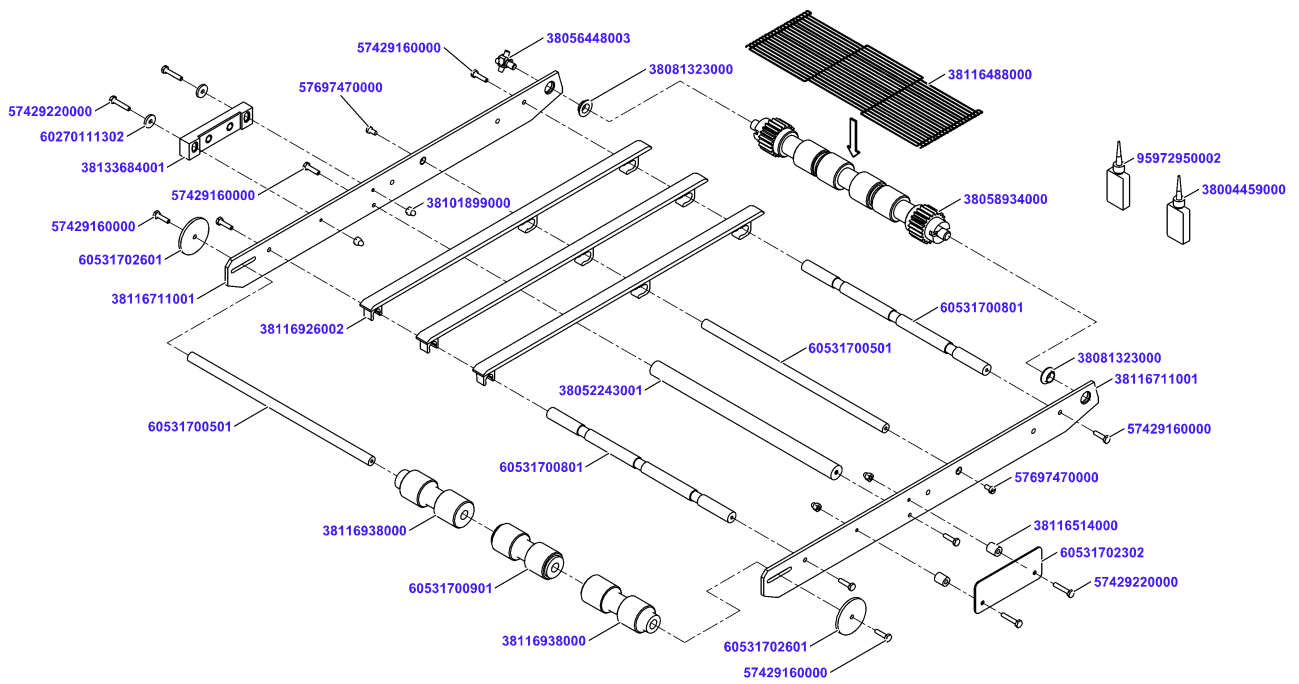
Conveyor belt 475 mm cpl



Conveyor belt 475 mm cpl

Material No.	Qty	Material description	available for order	Wear part	Recomm. sp. part	Metr. relevance
38116705000	1	Conveyor Belt 475 mm prem.				
38116429000	1	Conveyor Mounting cpl				
60562401900	2	Washer 36x6,5x3	✓			
60562401900	2	Washer 36x6,5x3	✓			
57431160000	4	Hexagon Screw DIN 933 M6x16 A2-70	✓			
56420160000	4	Cap nut DIN986-M6-A2	✓			

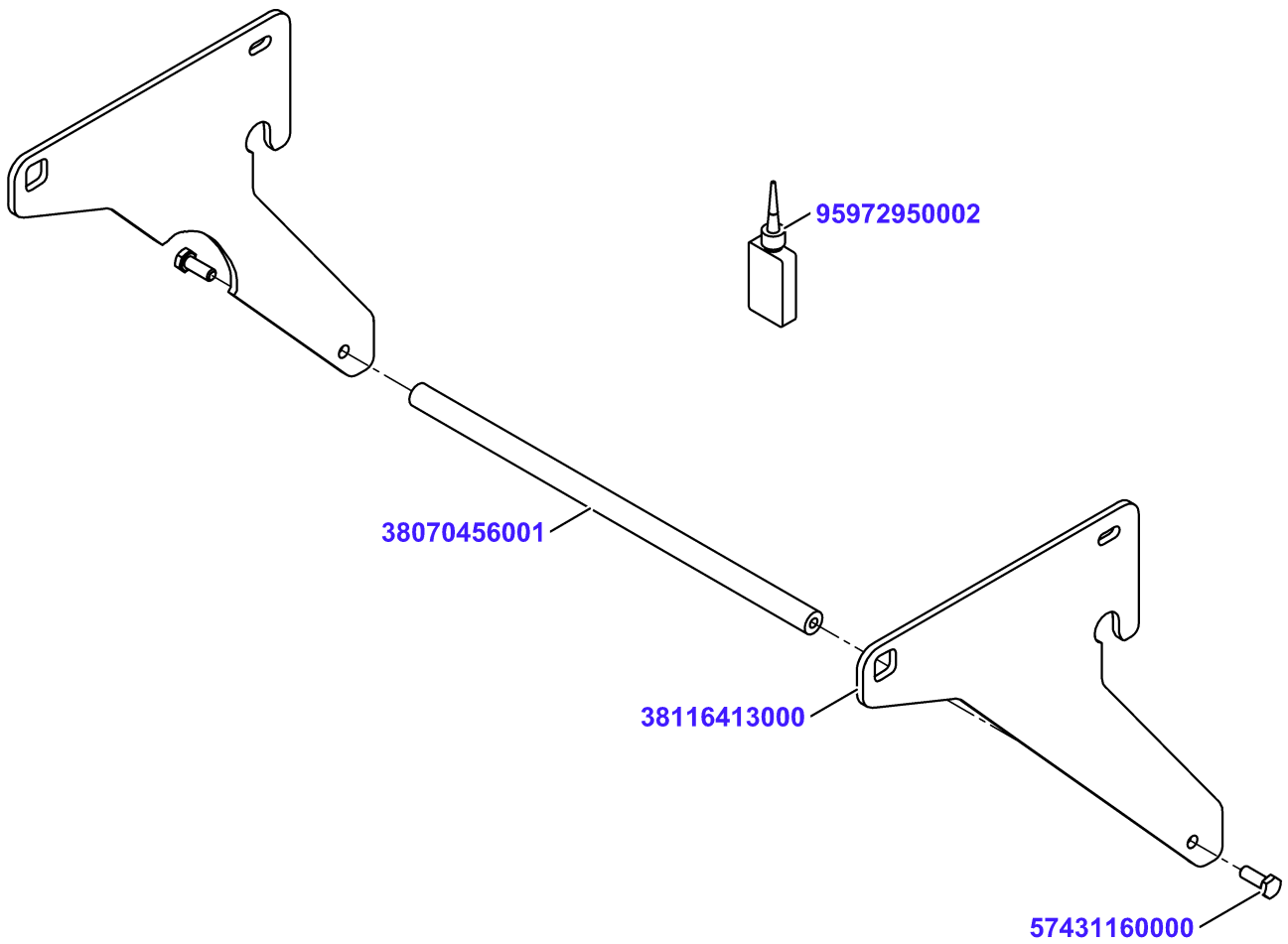
Conveyor Belt 475 mm prem.



Conveyor Belt 475 mm prem.

Material No.	Qty	Material description	available for order	Wear part	Recomm. sp. part	Metr. relevance
38056448003	1	Coupling Element	✓	✓	✓	
95972950002	0,001	Loctite 243 50 ml 95972950002	✓			
38116711001	2	Side Part 475 x 40 x 4	✓			
38058934000	1	Drive Roller preass	✓			
38081323000	2	Sleeve Bearing 1012-5	✓	✓	✓	
38116938000	2	Bushing 30 x 10,15 x 88,6	✓			
60531700901	1	Roller	✓			
60531700501	1	Axle 10 x 257	✓			
60531700501	1	Axle 10 x 257	✓			
60531700801	2	Fixing Axle 12 x 257	✓			
38116926002	3	Ledge preassembled 15 x 387,5	✓			
57697470000	2	Cheese-Head Cylinder Screw DIN84-M4x8-A2	✓			
38004459000	0,002	Loctite 648	✓			
57429160000	6	Hexagon Screw DIN 933-M4x16-A2-7	✓			
38133684001	1	Plug-in support mounted	✓			
57429220000	2	Hexagon Screw DIN 933-M4x22-A2-7	✓			
60270111302	2	Washer	✓			
38101899000	4	Cap nut DIN986-M4-A2	✓			
57429220000	2	Hexagon Screw DIN 933-M4x22-A2-7	✓			
38116514000	2	Spacer Sleeve 4,5 x 10 x 12	✓			
60531702302	1	Mirror V2A 94x38x1,5	✓			
38052243001	1	Sliding Bolt mount.	✓			
57429160000	2	Hexagon Screw DIN 933-M4x16-A2-7	✓			
60531702601	2	Washer 40x4,5x3	✓			
38116488000	1	Netting Ribbon 950 mm	✓			

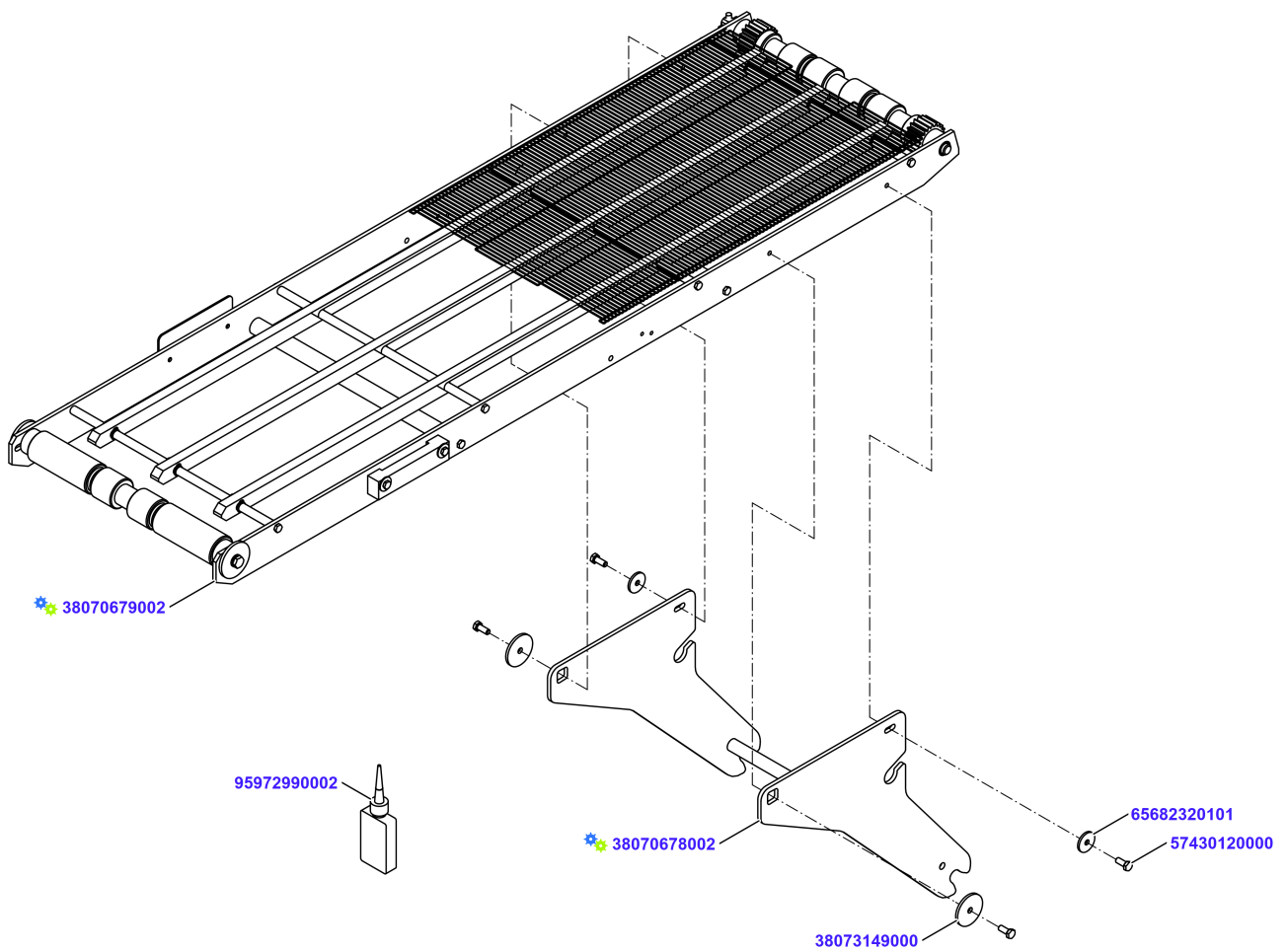
Conveyor Mounting cpl



Conveyor Mounting cpl

Material No.	Qty	Material description	available for order	Wear part	Recomm. sp. part	Metr. relevance
38116413000	2	Plate 236 x 241 x 4	✓			
38070456001	1	Axis 265x12	✓			
57431160000	2	Hexagon Screw DIN 933 M6x16 A2-70	✓			
95972950002	0,002	Loctite 243 50 ml 95972950002	✓			

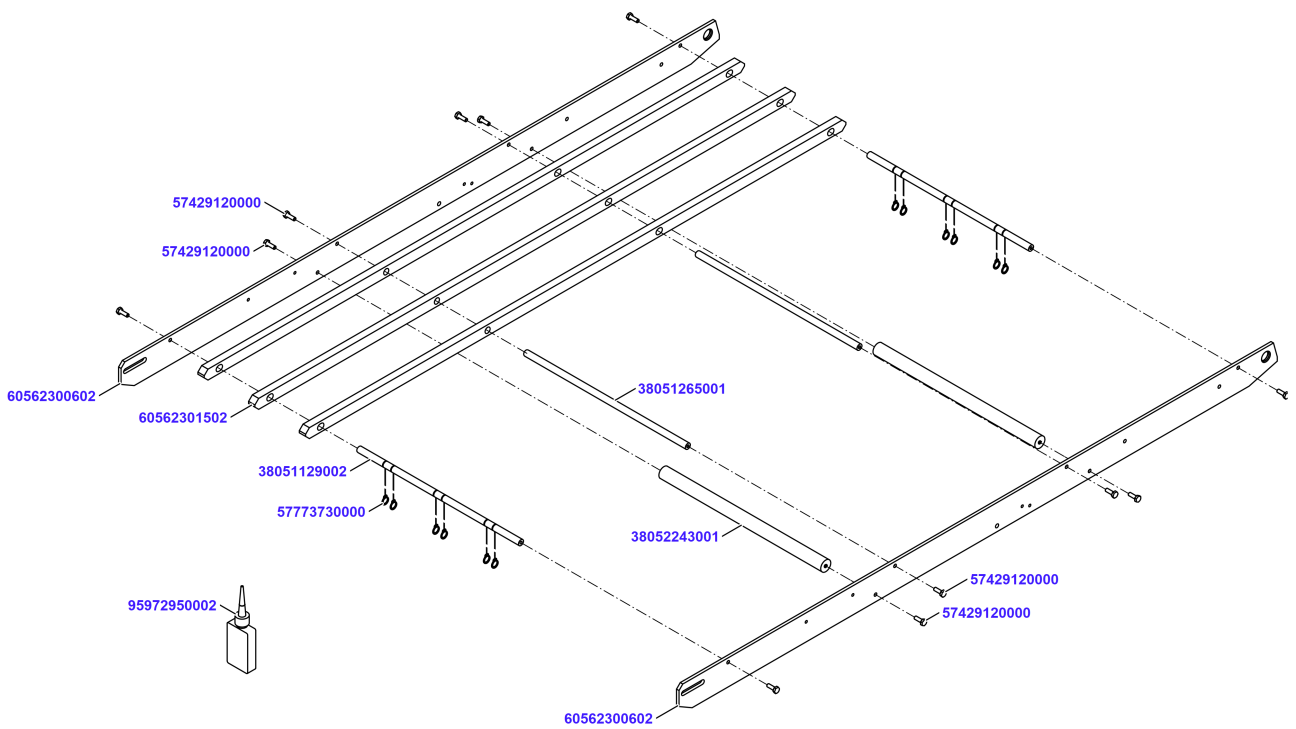
Conveyor Belt 910mm cpl












Conveyor Belt 910mm cpl

Material No.	Qty	Material description	available for order	Wear part	Recomm. sp. part	Metr. relevance
38070679002	1	Conveyor cpl				
38070678002	1	Conveyor Mounting cpl				
57430120000	4	Hexagon Screw DIN 933-M5x12-A2-70	✓			
38073149000	2	Washer	✓			
65682320101	2	WASHER 5.1	✓			
95972990002	0,001	Loctite 290	✓			

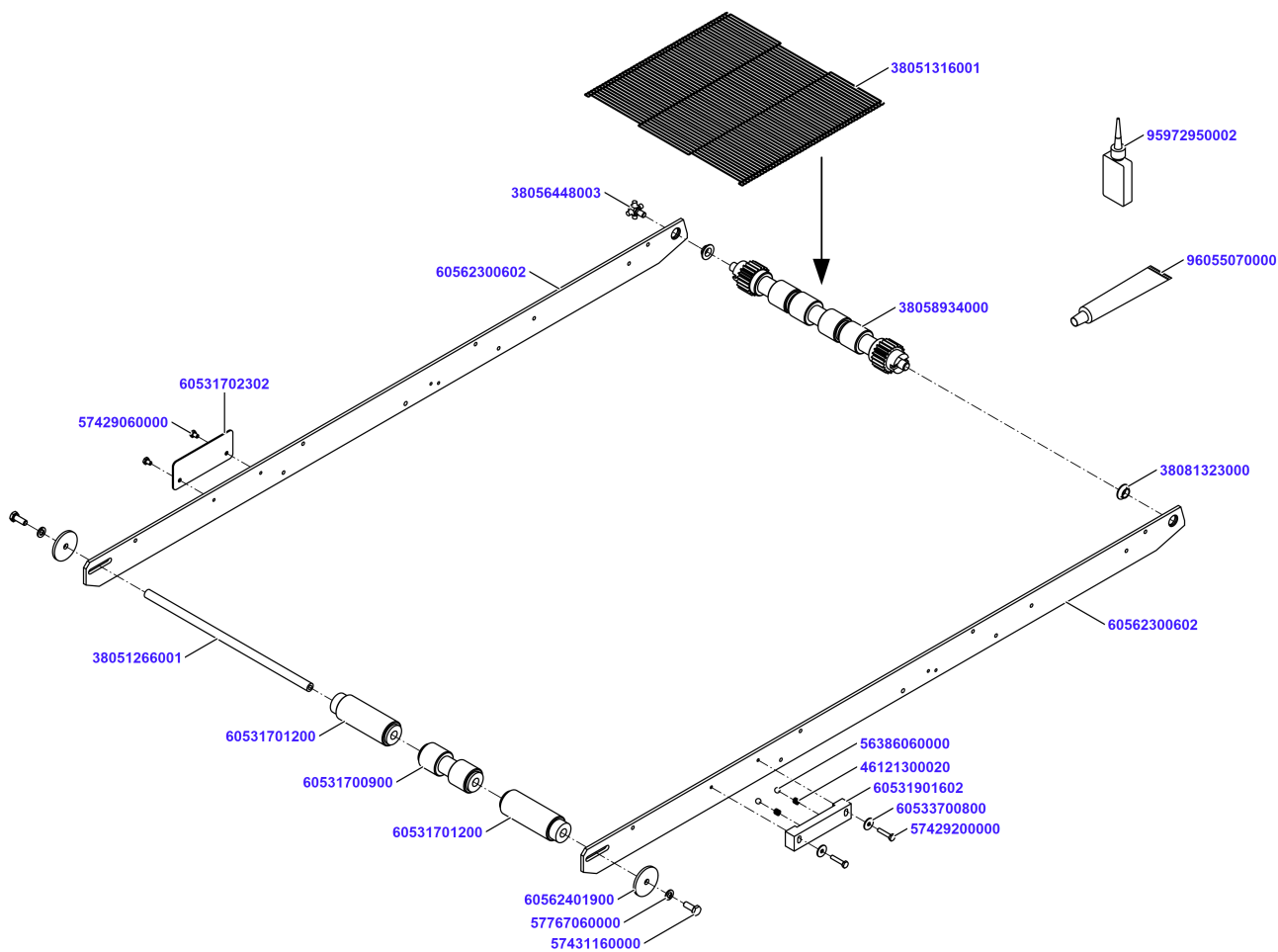
Conveyor cpl



Conveyor cpl

Material No.	Qty	Material description	available for order	Wear part	Recomm. sp. part	Metr. relevance
60562300602	2	Side Part				
95972950002	0,001	Loctite 243 50 ml 95972950002				
60562301502	3	Guide Rail 858x15x10				
38051265001	2	Spacer				
38051129002	2	Spacer Stud				
57773730000	12	Retaining ring DIN471-8x0,8				
57429120000	8	Hexagon Screw DIN 933-M4x12-A-70				
38052243001	2	Sliding Bolt mount.				
57429120000	4	Hexagon Screw DIN 933-M4x12-A-70				

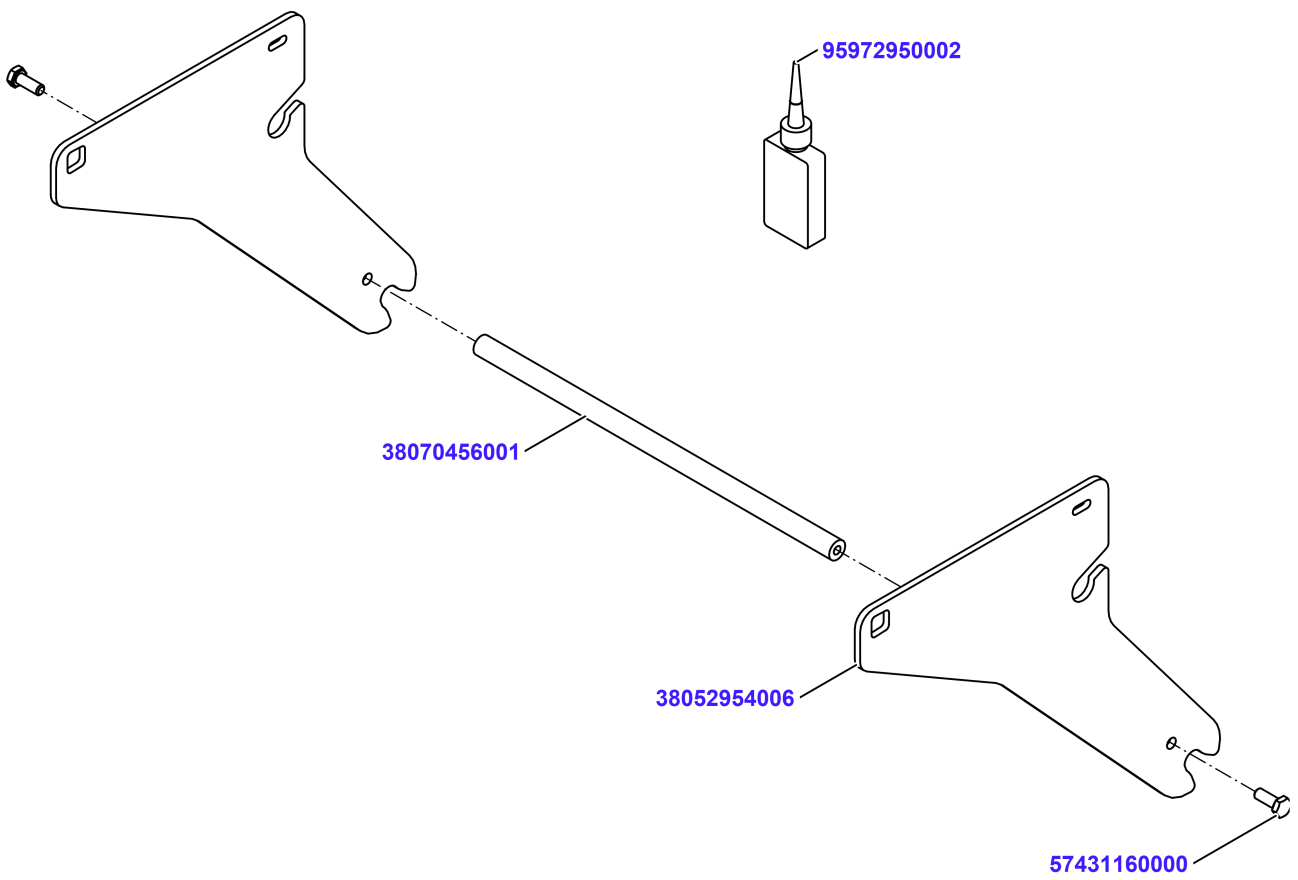
Conveyor cpl



Conveyor cpl

Material No.	Qty	Material description	available for order	Wear part	Recomm. sp. part	Metr. relevance
60562300602	2	Side Part	✓			
38081323000	2	Sleeve Bearing 1012-5	✓	✓		
38058934000	1	Drive Roller preass	✓			
38056448003	1	Coupling Element	✓	✓		
95972950002	0,001	Loctite 243 50 ml 95972950002	✓			
38051266001	1	Axis	✓			
60531701200	2	guide roller	✓			
60531700900	1	PULLEY	✓			
57431160000	2	Hexagon Screw DIN 933 M6x16 A2-70	✓			
57767060000	2	Spring lock washer DIN128-A6-FSt	✓			
60562401900	2	Washer 36x6,5x3	✓			
60531901602	1	Plug-in support	✓			
56386060000	2	Ball DIN5401 6-1.4034	✓			
46121300020	2	Pressure spring 6121300020	✓			
96055070000	0,001	Grease PARALIQ GA 343	✓			
57429200000	2	Hexagon Screw DIN 933-M4x20-A2-70	✓			
60533700800	2	cover plate 10	✓			
60531702302	1	Mirror V2A 94x38x1,5	✓			
57429060000	2	Hexagon screw DIN933 M4x6 A2-70	✓			
38051316001	1	Netting Ribbon	✓	✓		

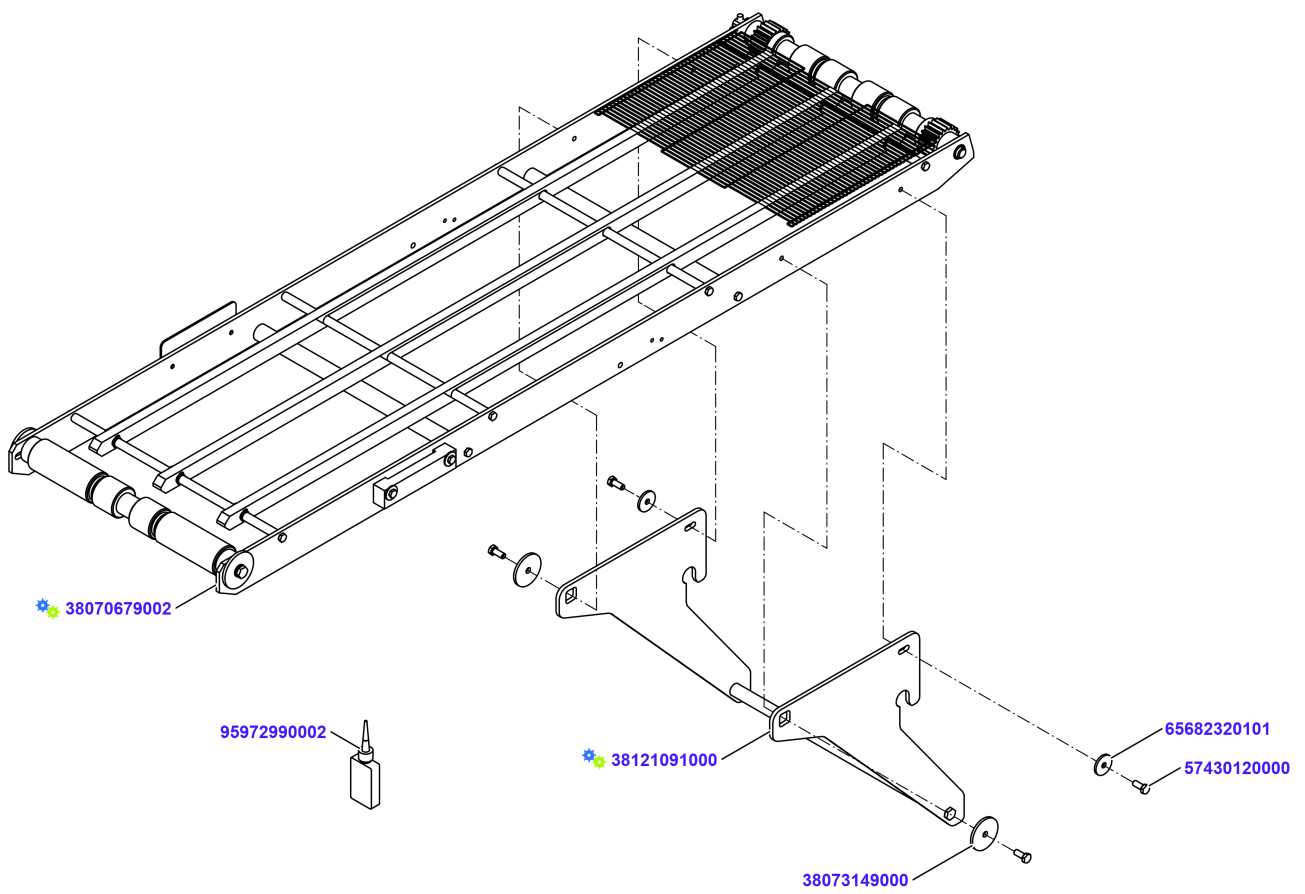
Conveyor Mounting cpl



Conveyor Mounting cpl

Material No.	Qty	Material description	available for order	Wear part	Recomm. sp. part	Metr. relevance
38052954006	2	Plate				
38070456001	1	Axis 265x12				
57431160000	2	Hexagon Screw DIN 933 M6x16 A2-70				
95972950002	0,001	Loctite 243 50 ml 95972950002				

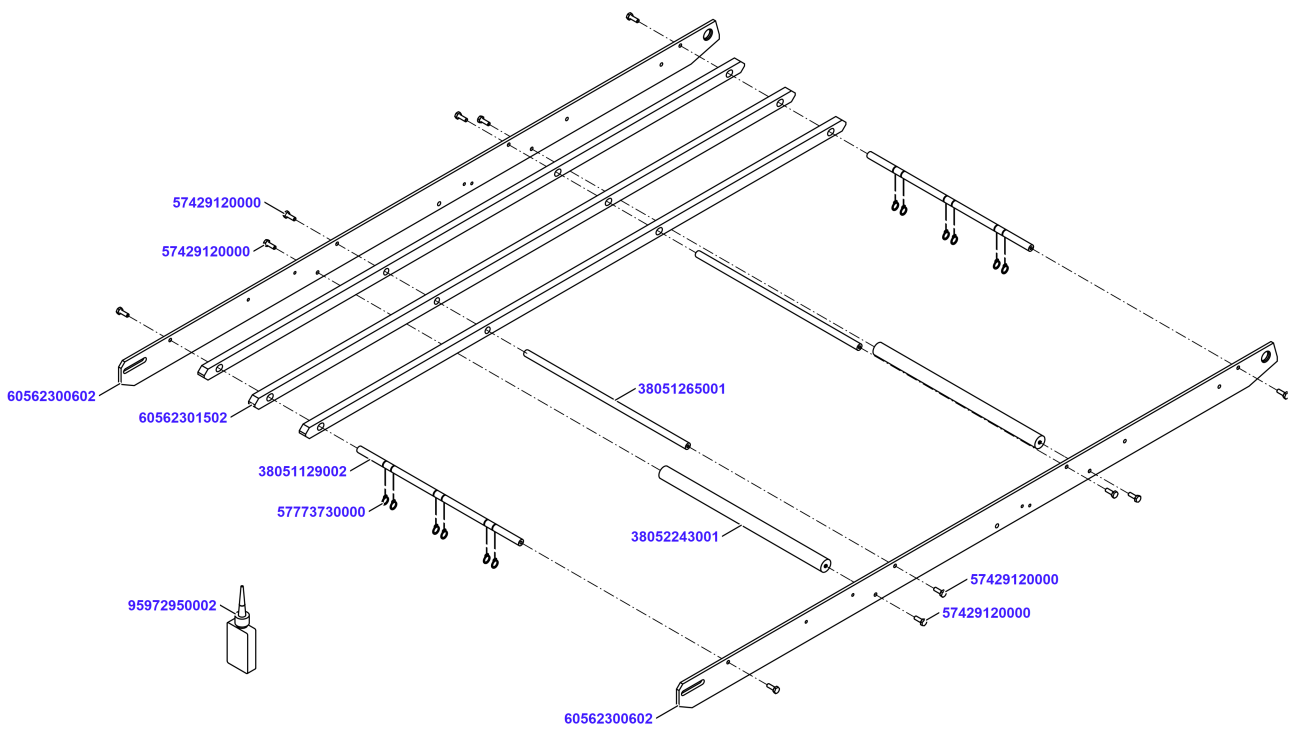
Conveyor Belt 910 mm cpl












Conveyor Belt 910 mm cpl

Material No.	Qty	Material description	available for order	Wear part	Recomm. sp. part	Metr. relevance
38070679002	1	Conveyor cpl				
38121091000	1	Conveyor Mounting cpl				
57430120000	4	Hexagon Screw DIN 933-M5x12-A2-70	✓			
38073149000	2	Washer	✓			
65682320101	2	WASHER 5.1	✓			
95972990002	0,001	Loctite 290	✓			

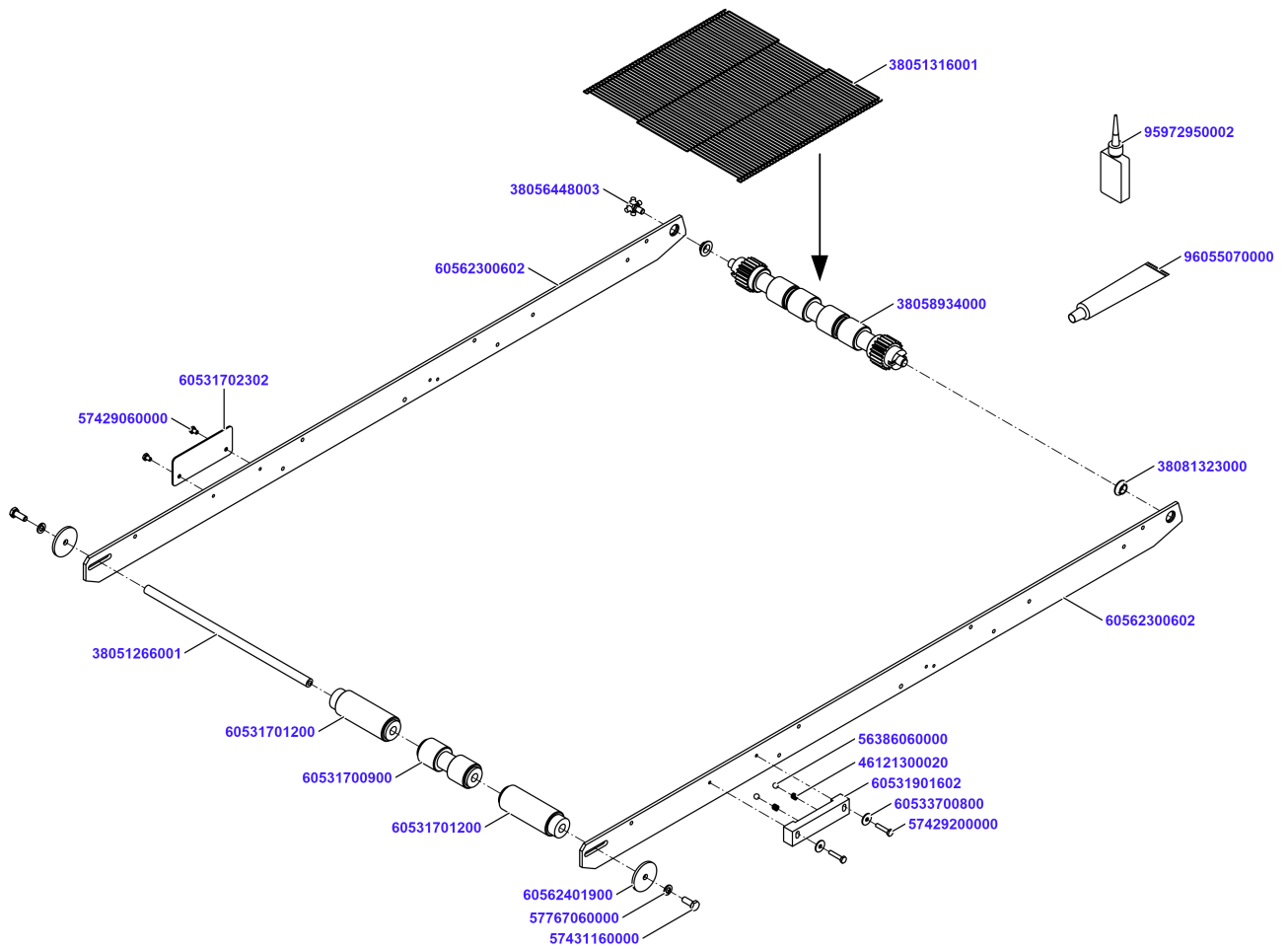
Conveyor cpl



Conveyor cpl

Material No.	Qty	Material description	available for order	Wear part	Recomm. sp. part	Metr. relevance
60562300602	2	Side Part				
95972950002	0,001	Loctite 243 50 ml 95972950002				
60562301502	3	Guide Rail 858x15x10				
38051265001	2	Spacer				
38051129002	2	Spacer Stud				
57773730000	12	Retaining ring DIN471-8x0,8				
57429120000	8	Hexagon Screw DIN 933-M4x12-A-70				
38052243001	2	Sliding Bolt mount.				
57429120000	4	Hexagon Screw DIN 933-M4x12-A-70				

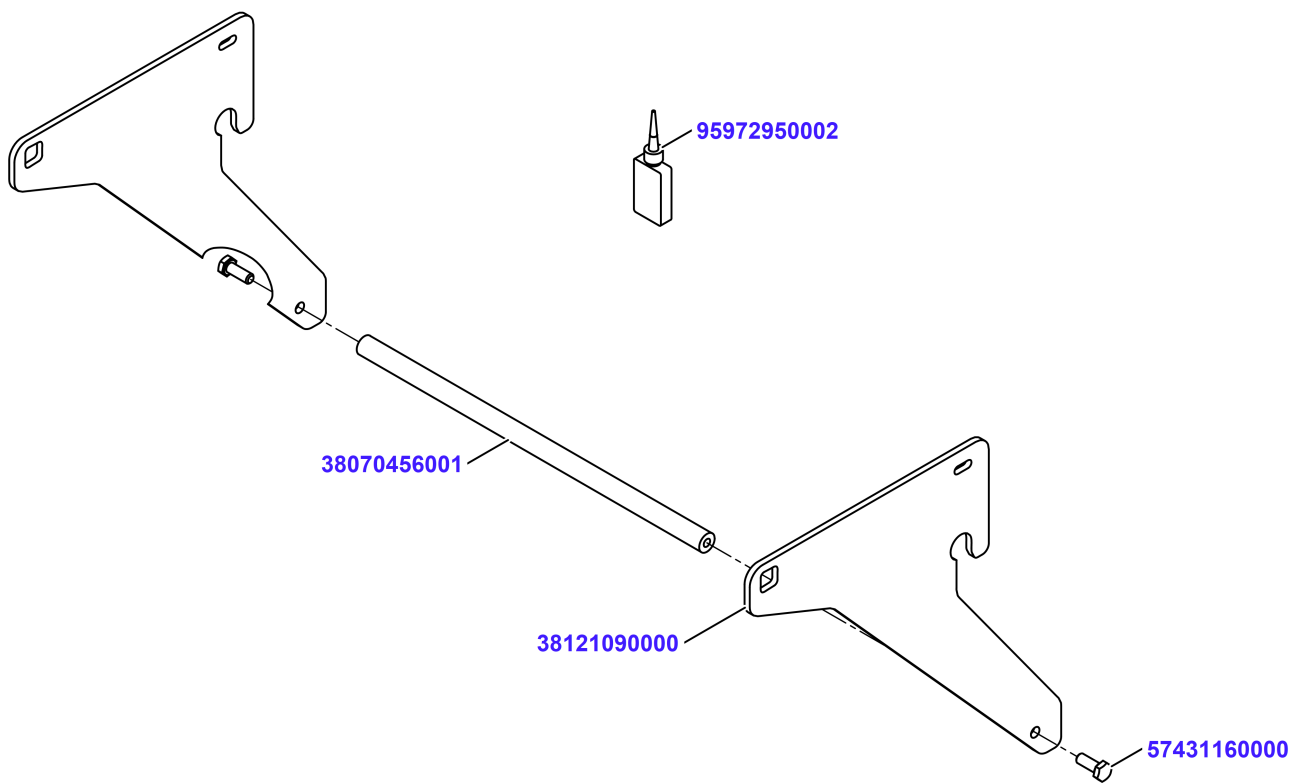
Conveyor cpl



Conveyor cpl

Material No.	Qty	Material description	available for order	Wear part	Recomm. sp. part	Metr. relevance
60562300602	2	Side Part	✓			
38081323000	2	Sleeve Bearing 1012-5	✓	✓		
38058934000	1	Drive Roller preass	✓			
38056448003	1	Coupling Element	✓	✓		
95972950002	0,001	Loctite 243 50 ml 95972950002	✓			
38051266001	1	Axis	✓			
60531701200	2	guide roller	✓			
60531700900	1	PULLEY	✓			
57431160000	2	Hexagon Screw DIN 933 M6x16 A2-70	✓			
57767060000	2	Spring lock washer DIN128-A6-FSt	✓			
60562401900	2	Washer 36x6,5x3	✓			
60531901602	1	Plug-in support	✓			
56386060000	2	Ball DIN5401 6-1.4034	✓			
46121300020	2	Pressure spring 6121300020	✓			
96055070000	0,001	Grease PARALIQ GA 343	✓			
57429200000	2	Hexagon Screw DIN 933-M4x20-A2-70	✓			
60533700800	2	cover plate 10	✓			
60531702302	1	Mirror V2A 94x38x1,5	✓			
57429060000	2	Hexagon screw DIN933 M4x6 A2-70	✓			
38051316001	1	Netting Ribbon	✓	✓		

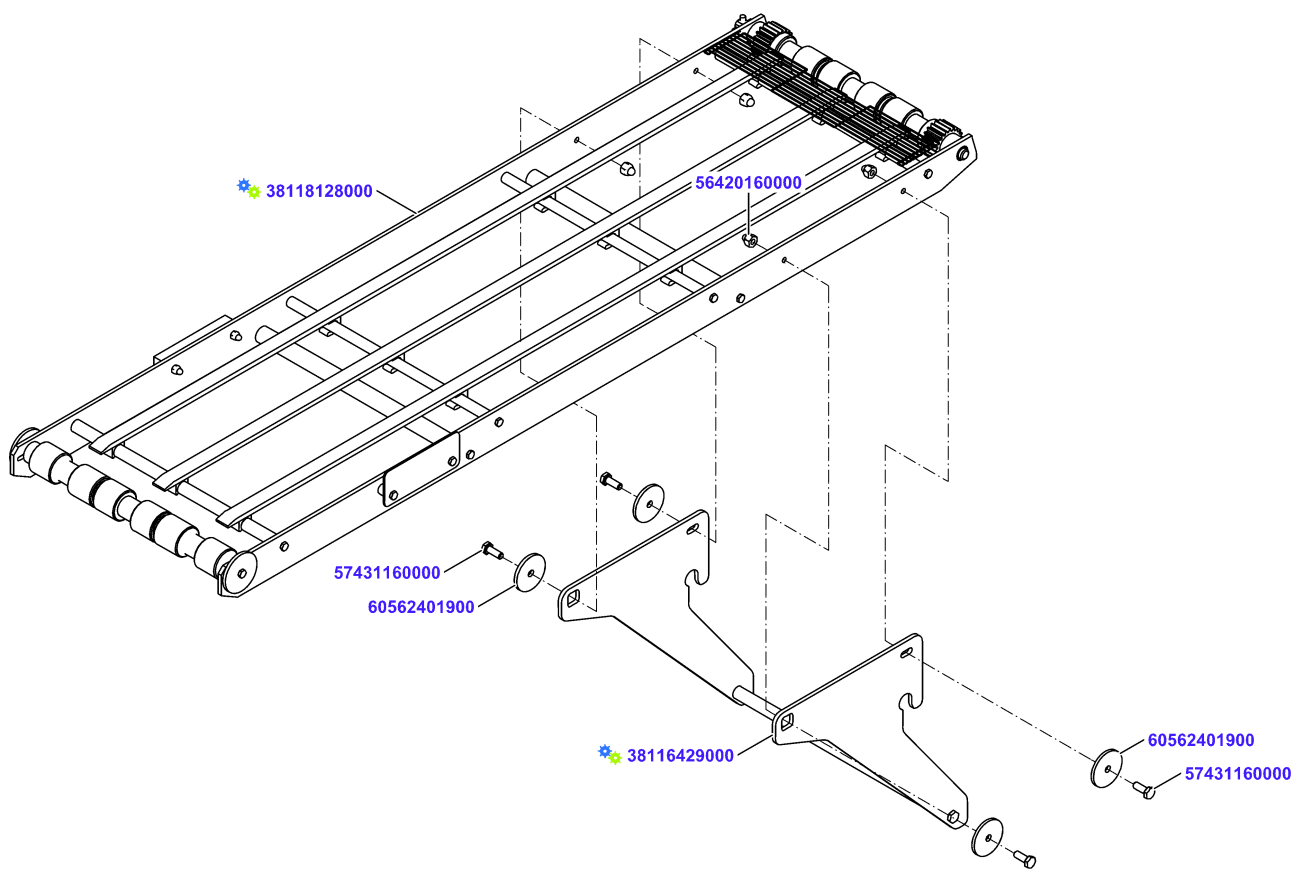
Conveyor Mounting cpl



Conveyor Mounting cpl

Material No.	Qty	Material description	available for order	Wear part	Recomm. sp. part	Metr. relevance
38121090000	2	Plate 236 x 241 x 4	✓			
38070456001	1	Axis 265x12	✓			
57431160000	2	Hexagon Screw DIN 933 M6x16 A2-70	✓			
95972950002	0,002	Loctite 243 50 ml 95972950002	✓			

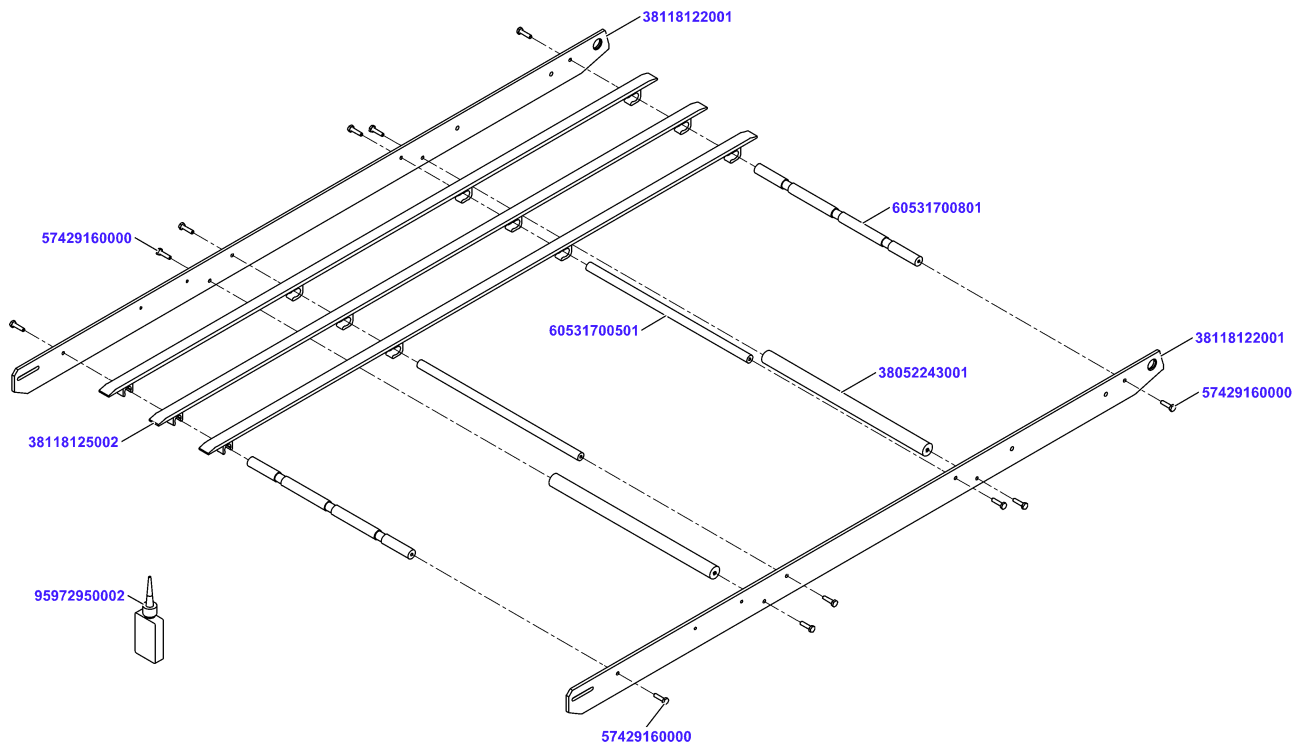
Conveyor Belt 910 mm cpl



Conveyor Belt 910 mm cpl

Material No.	Qty	Material description	available for order	Wear part	Recomm. sp. part	Metr. relevance
38118128000	1	Conveyor Belt 910 mm prem.				
38116429000	1	Conveyor Mounting cpl				
57431160000	4	Hexagon Screw DIN 933 M6x16 A2-70	✓			
60562401900	4	Washer 36x6,5x3	✓			
56420160000	4	Cap nut DIN986-M6-A2	✓			

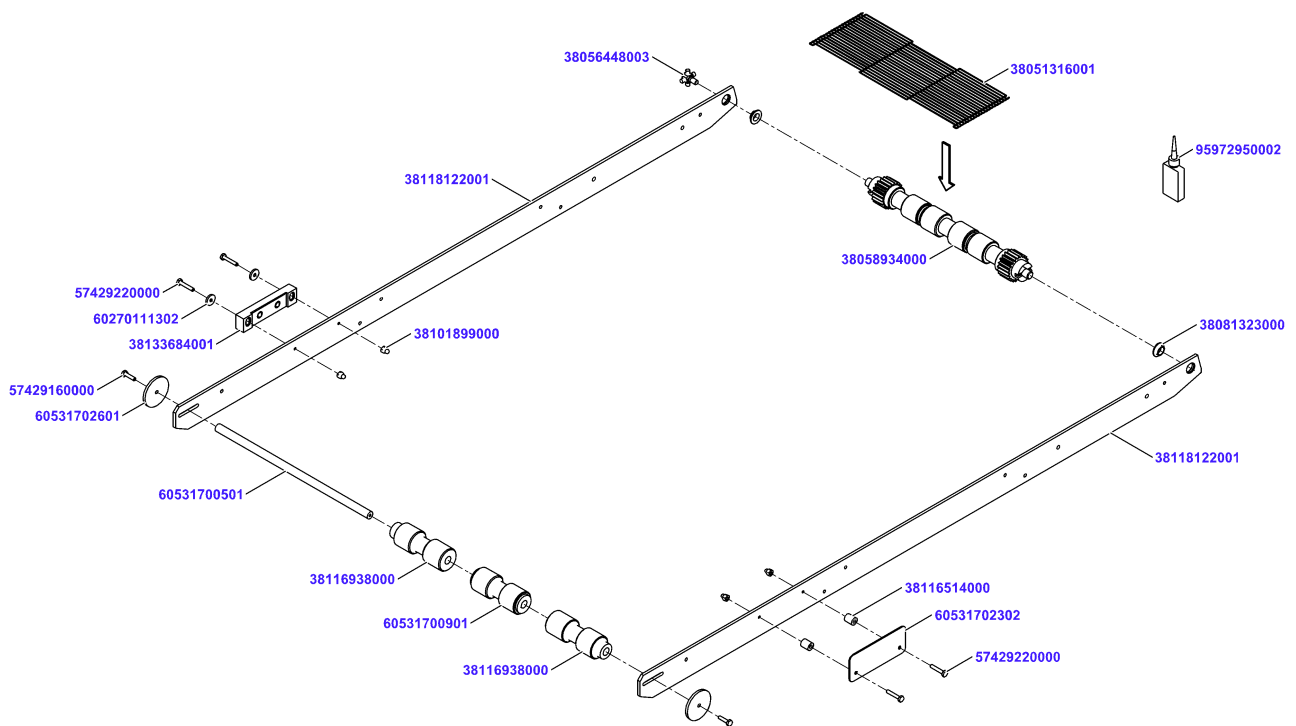
Conveyor Belt 910 mm prem.



Conveyor Belt 910 mm prem.

Material No.	Qty	Material description	available for order	Wear part	Recomm. sp. part	Metr. relevance
38118122001	2	Side Part 950 x 40 x 4				
95972950002	0,001	Loctite 243 50 ml 95972950002				
60531700801	2	Fixing Axle 12 x 257				
60531700501	2	Axle 10 x 257				
57429160000	8	Hexagon Screw DIN 933-M4x16-A2-7				
38118125002	3	Ledge preassembled 877 x 15 x 5				
60531700501	1	Axle 10 x 257				
57429160000	2	Hexagon Screw DIN 933-M4x16-A2-7				
38052243001	2	Sliding Bolt mount.				
57429160000	4	Hexagon Screw DIN 933-M4x16-A2-7				

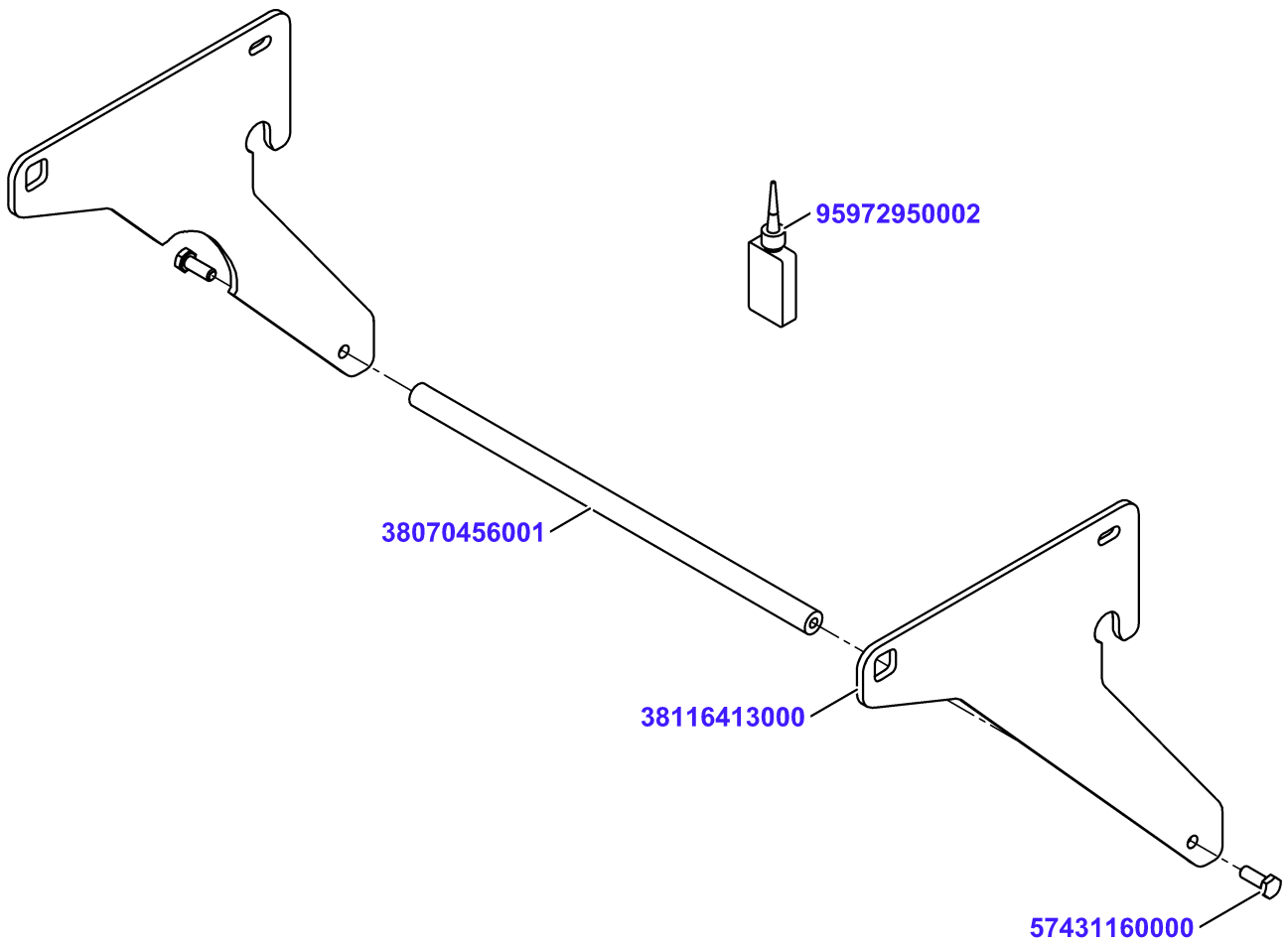
Conveyor Belt 910 mm prem.



Conveyor Belt 910 mm prem.

Material No.	Qty	Material description	available for order	Wear part	Recomm. sp. part	Metr. relevance
38118122001	2	Side Part 950 x 40 x 4	✓	✓	✓	
38081323000	2	Sleeve Bearing 1012-5	✓	✓	✓	
38058934000	1	Drive Roller preass	✓	✓	✓	
38056448003	1	Coupling Element	✓	✓	✓	
95972950002	0,001	Loctite 243 50 ml 95972950002	✓	✓	✓	
60531700501	2	Axle 10 x 257	✓	✓	✓	
57429160000	8	Hexagon Screw DIN 933-M4x16-A2-7	✓	✓	✓	
60531700501	1	Axle 10 x 257	✓	✓	✓	
38116938000	2	Bushing 30 x 10,15 x 88,6	✓	✓	✓	
60531700901	1	Roller	✓	✓	✓	
57429160000	2	Hexagon Screw DIN 933-M4x16-A2-7	✓	✓	✓	
60531702601	2	Washer 40x4,5x3	✓	✓	✓	
57429160000	4	Hexagon Screw DIN 933-M4x16-A2-7	✓	✓	✓	
38133684001	1	Plug-in support mounted	✓	✓	✓	
57429220000	2	Hexagon Screw DIN 933-M4x22-A2-7	✓	✓	✓	
60270111302	2	Washer	✓	✓	✓	
38101899000	2	Cap nut DIN986-M4-A2	✓	✓	✓	
60531702302	1	Mirror V2A 94x38x1,5	✓	✓	✓	
57429220000	2	Hexagon Screw DIN 933-M4x22-A2-7	✓	✓	✓	
38116514000	2	Spacer Sleeve 4,5 x 10 x 12	✓	✓	✓	
38101899000	2	Cap nut DIN986-M4-A2	✓	✓	✓	
38051316001	1	Netting Ribbon	✓	✓	✓	

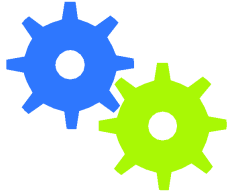
Conveyor Mounting cpl



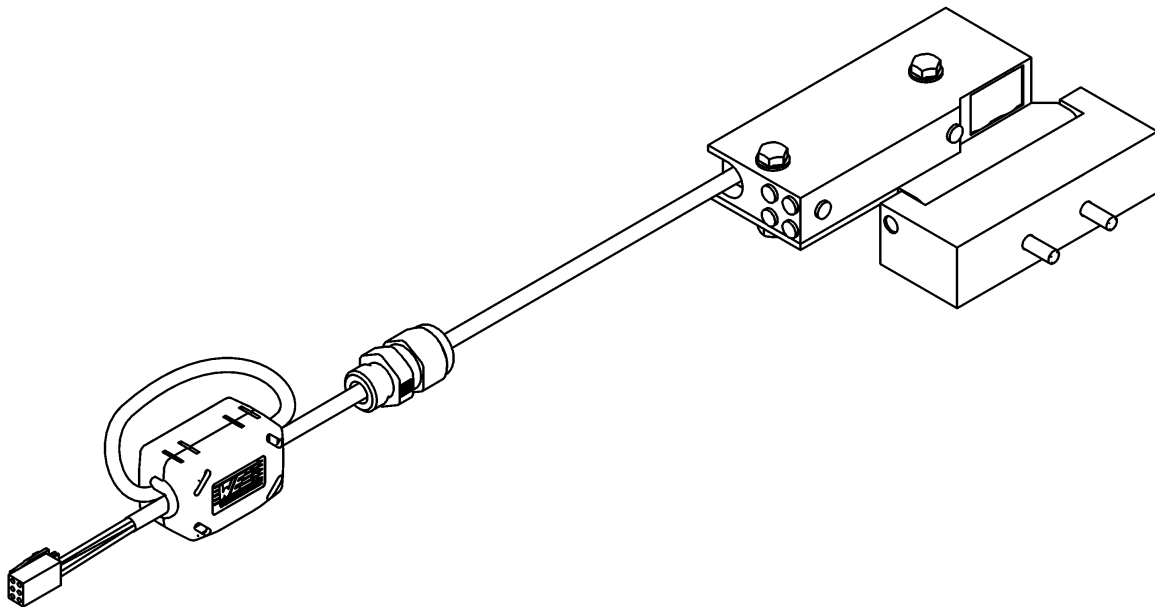
Conveyor Mounting cpl

Material No.	Qty	Material description	available for order	Wear part	Recomm. sp. part	Metr. relevance
38116413000	2	Plate 236 x 241 x 4	✓			
38070456001	1	Axis 265x12	✓			
57431160000	2	Hexagon Screw DIN 933 M6x16 A2-70	✓			
95972950002	0,002	Loctite 243 50 ml 95972950002	✓			

Light barrier/light button



38058941000



Light barrier/light button

Material No.	Qty	Material description
38058941000	1	Light Barrier with Holder cpl

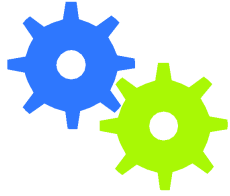
available for order

Wear part

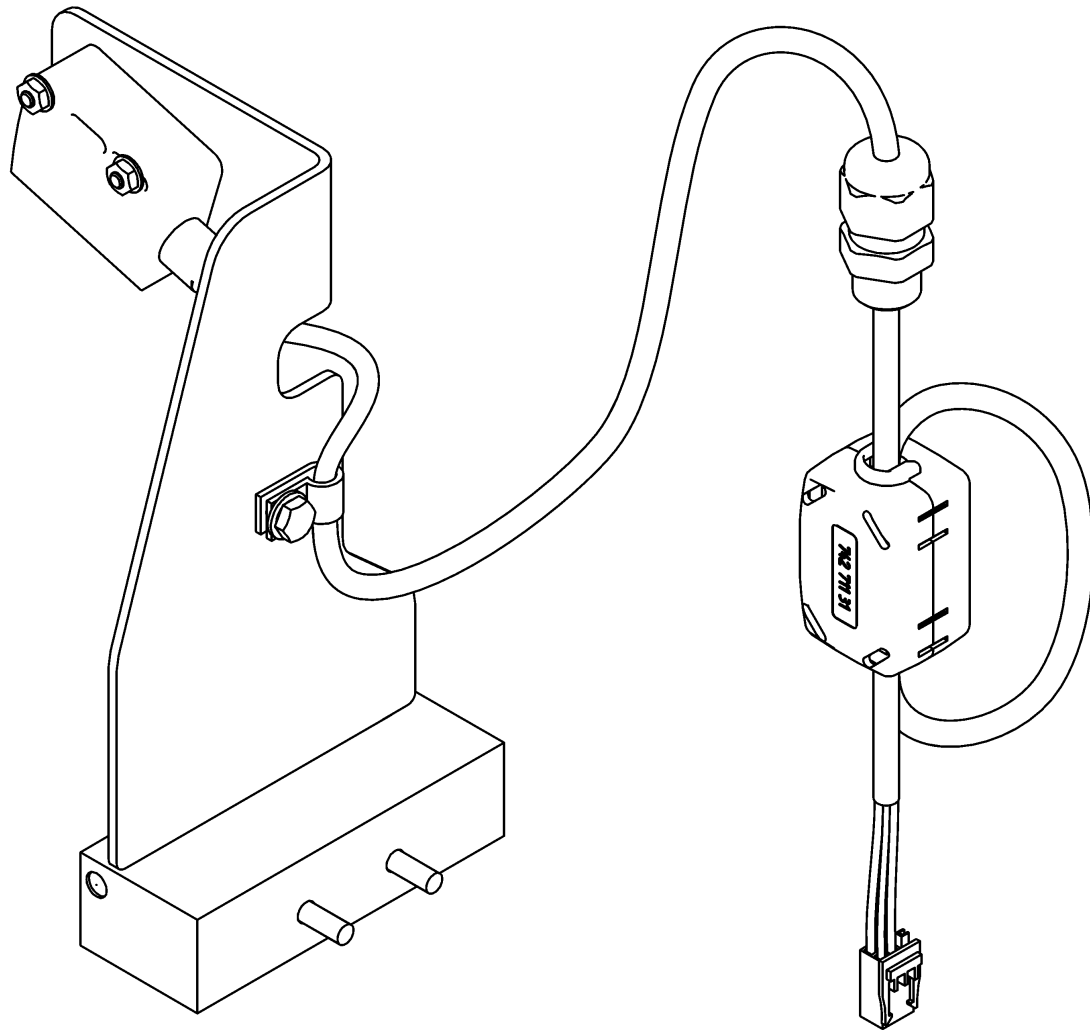
Recomm. sp. part

Metr. relevance

Light barrier/light button



38064093000



Light barrier/light button

Material No.	Qty	Material description
38064093000	1	Light Sensor with Holder cpl

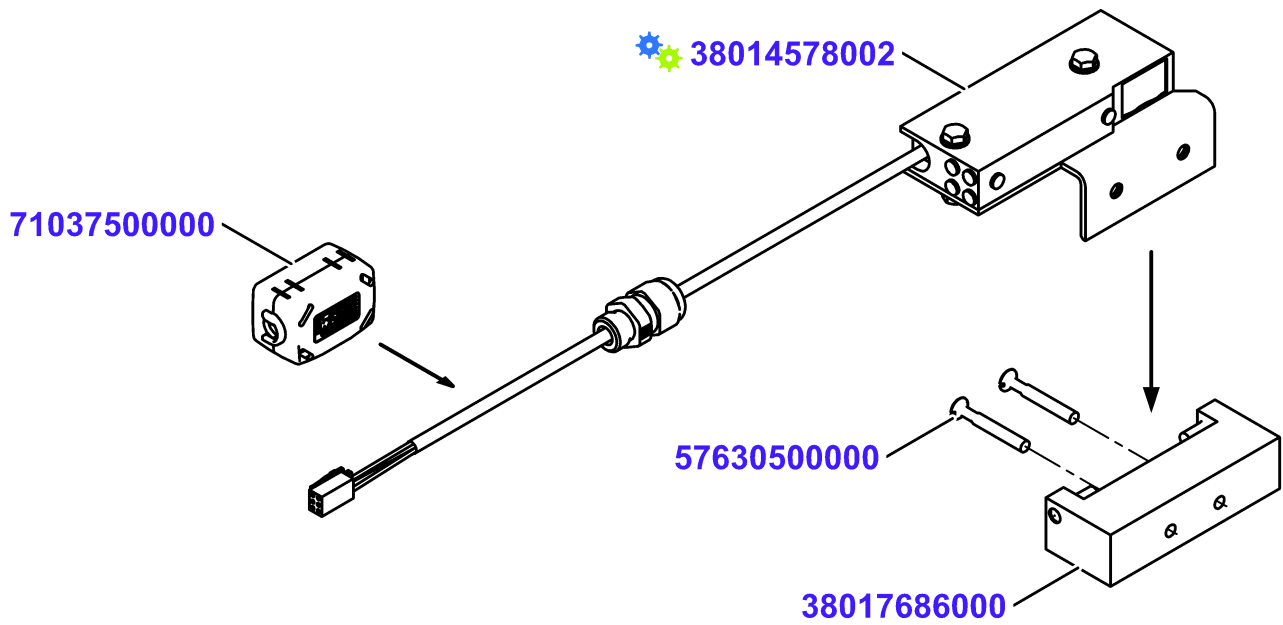
available for order

Wear part

Recomm. sp. part

Metr. relevance

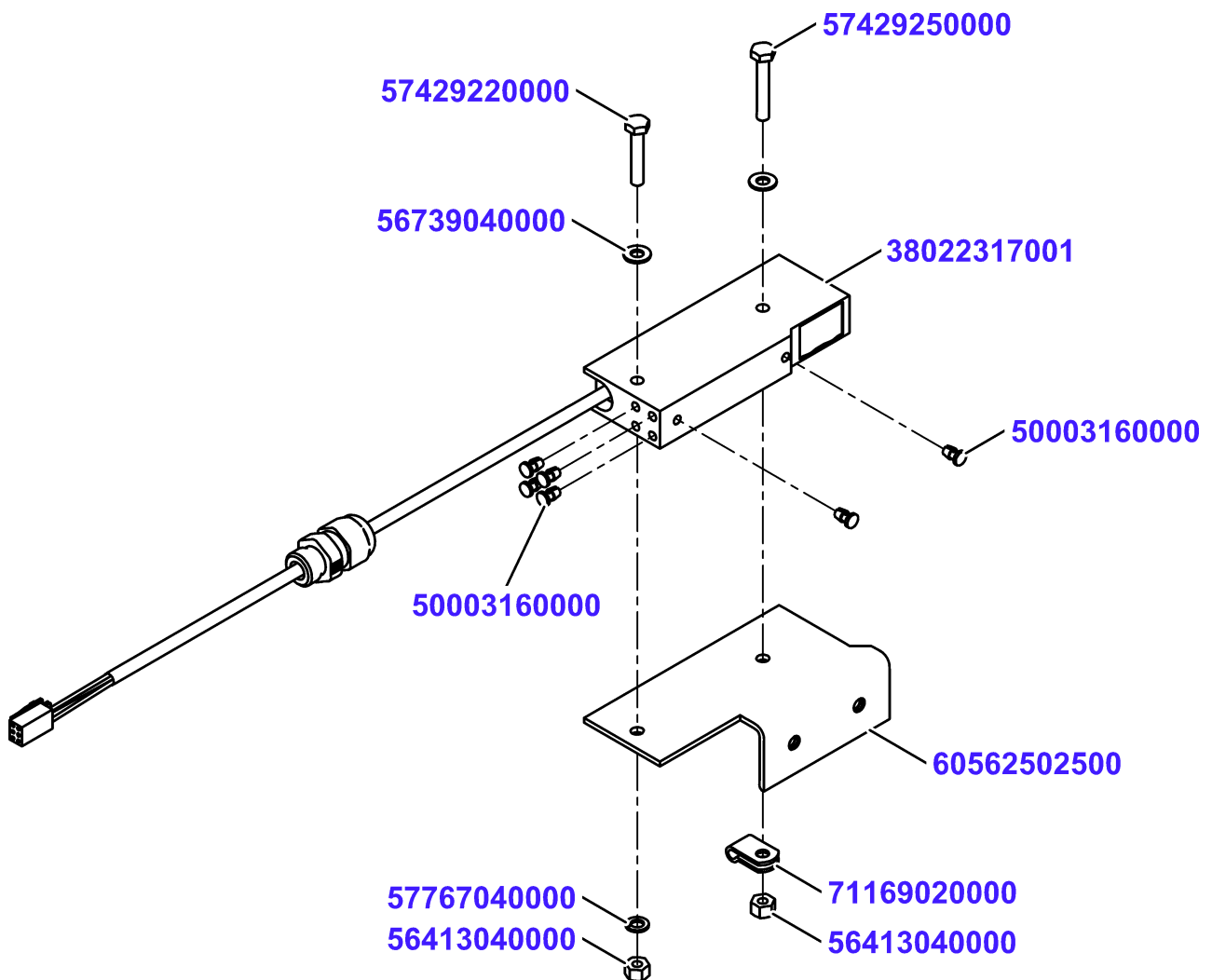
Light Barrier with Holder cpl



Light Barrier with Holder cpl

Material No.	Qty	Material description	available for order	Wear part	Recomm. sp. part	Metr. relevance
38014578002	1	Light Barrier RK72/2 cpl. - AL Abgeküнди	✓			
38017686000	1	Holder Light Barrier preass	✓			
57630500000	2	Countersunk screw DIN963 M4x30-A2-70	✓			
71037500000	1	Ferrit Sleeve 74271131	✓			

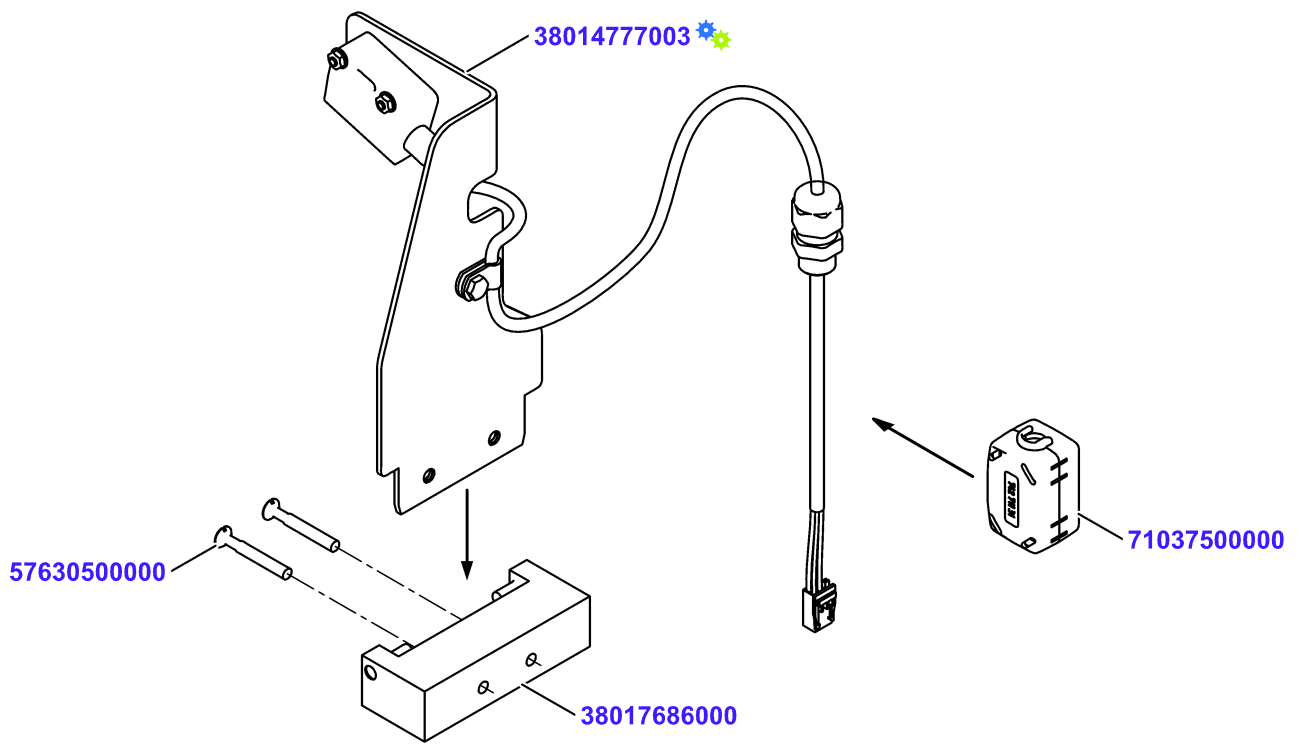
Light Barrier RK72/2 cpl. - AL Abgeküнди



Light Barrier RK72/2 cpl. - AL Abgeküнди

Material No.	Qty	Material description	available for order	Wear part	Recomm. sp. part	Metr. relevance
38022317001	1	light barrier RK72/2	✓		✓	
60562502500	1	light barr. holder for 7103789	✓			
57429220000	1	Hexagon Screw DIN 933-M4x22-A2-7	✓			
57429250000	1	Hexagon screw DIN933 M4x25 A2-70	✓			
56739040000	2	Washer DIN 125-A 4.3-A2-70 56739040000	✓			
57767040000	1	Spring lock washer DIN128-A4-FSt	✓			
56413040000	2	Cap nut DIN917 -M4-A2	✓			
71169020000	1	Nylon-Clip 2N	✓			
50003160000	6	Protective plug 5x3x5,8	✓			

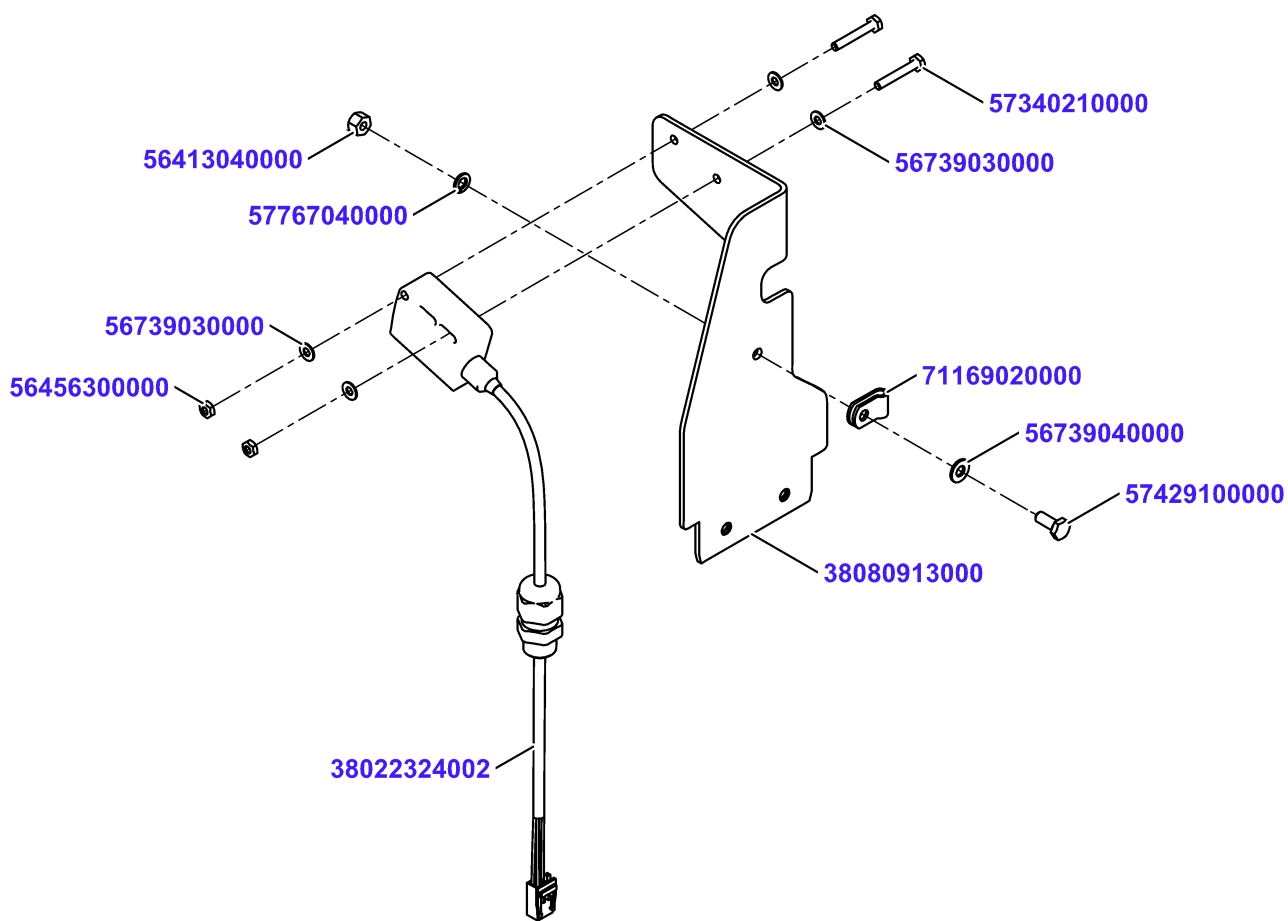
Light Sensor with Holder cpl



Light Sensor with Holder cpl

Material No.	Qty	Material description	available for order	Wear part	Recomm. sp. part	Metr. relevance
38014777003	1	Light Sensor HRTR 55/22-XL 1,8m cpl.				
38017686000	1	Holder Light Barrier preass				
57630500000	2	Countersunk screw DIN963 M4x30-A2-70				
71037500000	1	Ferrit Sleeve 74271131				

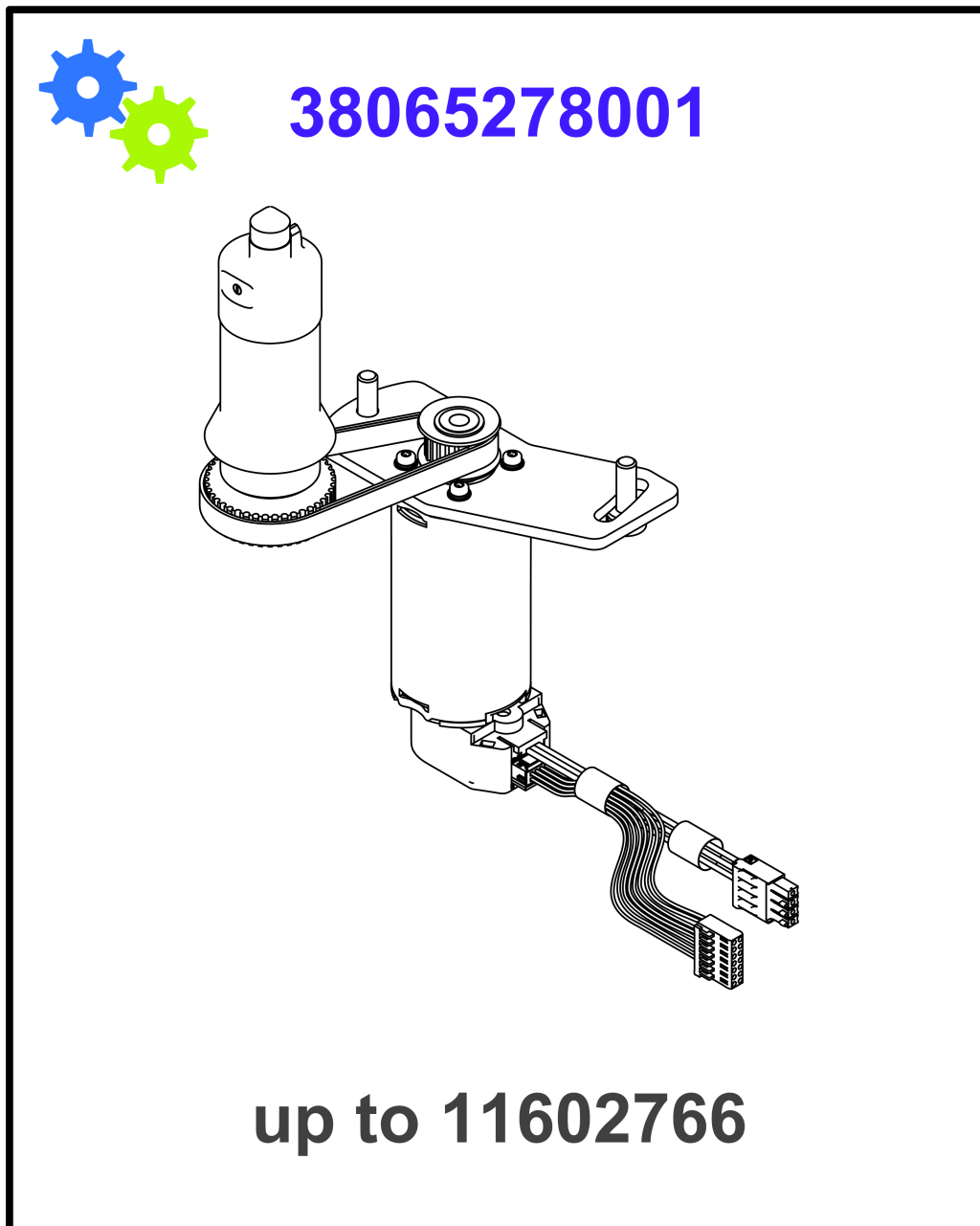
Light Sensor HRTR 55/22-XL 1,8m cpl.



Light Sensor HRTR 55/22-XL 1,8m cpl.

Material No.	Qty	Material description	available for order	Wear part	Recomm. sp. part	Metr. relevance
38022324002	1	light sensor HRTR 55/N-XL,1800-Y2				
38080913000	1	Fastener				
57340210000	2	Hexagon screw DIN933 M3x20 A2-70				
56739030000	4	Washer DIN125-A-3-A2-70 56739030000				
56456300000	2	Hexagon Nut DIN 934-M3-A2-70 56456300000				
71169020000	1	Nylon-Clip 2N				
57429100000	1	Hexagon Screw DIN933 M4x10 A2-70				
56739040000	1	Washer DIN 125-A 4.3-A2-70 56739040000				
57767040000	1	Spring lock washer DIN128-A4-FSt				
56413040000	1	Cap nut DIN917 -M4-A2				

Chain frame drive



Chain frame drive

Material No.	Qty	Material description
--------------	-----	----------------------

38065278001	1	Drive Chainframe cpl
-----------------------------	---	----------------------

available for order

Wear part

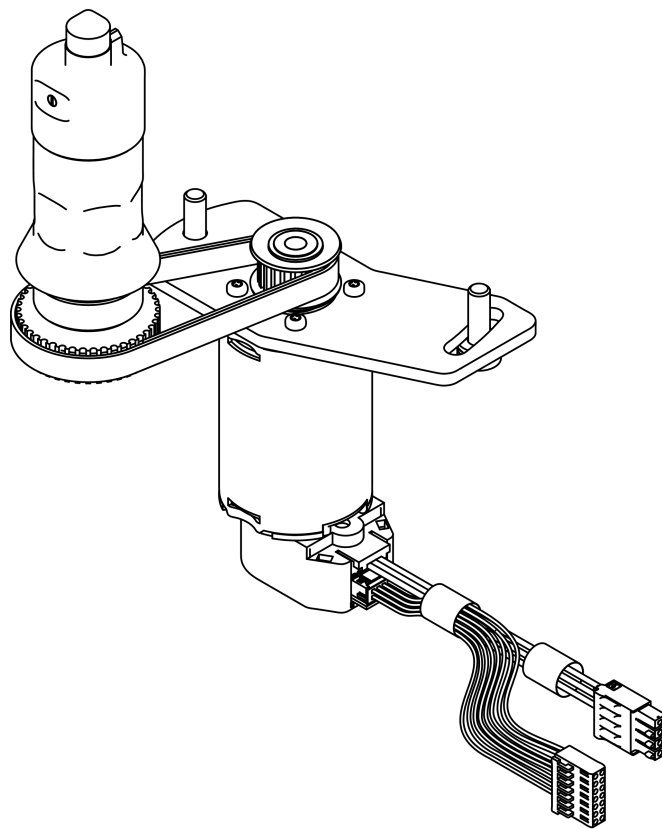
Recomm. sp. part

Metr. relevance

Chain frame drive



38065278002



as from 11602767

Chain frame drive

Material No.	Qty	Material description
--------------	-----	----------------------

38065278002	1	Drive Chainframe cpl
-----------------------------	---	----------------------

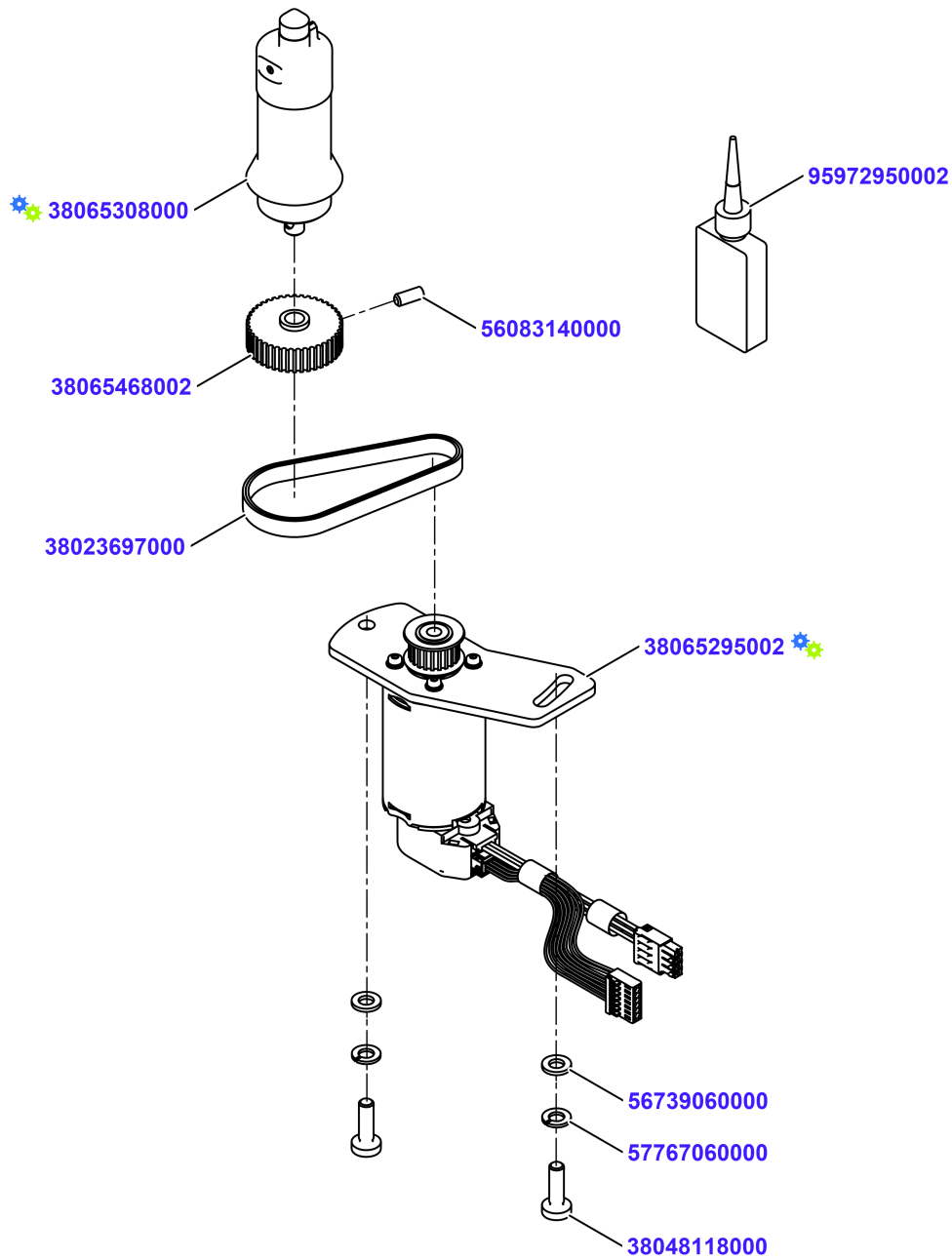
available for order

Wear part

Recomm. sp. part

Metr. relevance

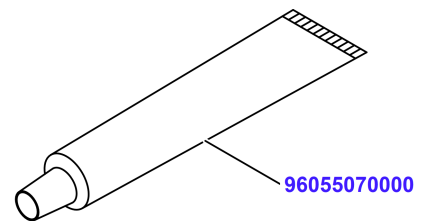
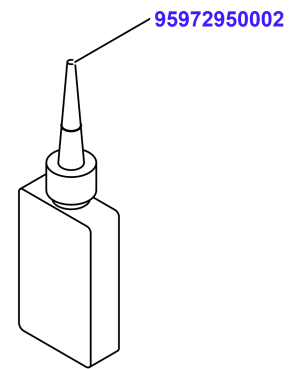
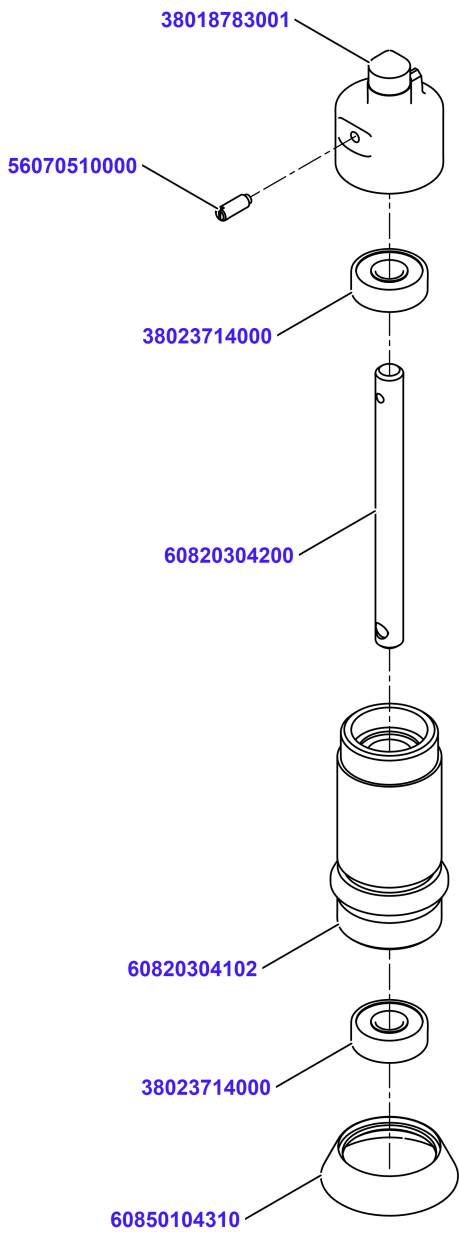
Drive Chainframe cpl



Drive Chainframe cpl

Material No.	Qty	Material description	available for order	Wear part	Recomm. sp. part	Metr. relevance
38065295002	1	Chaindrive preass	✓			
38048118000	2	Oval-head screw ISO14583 M6x20-A2-70-T30	✓			
56739060000	2	Washer DIN125-A-6-A2	✓			
57767060000	2	Spring lock washer DIN128-A6-FSt	✓			
38065308000	1	Chain Drive Shaft cpl	✓			
95972950002	0,001	Loctite 243 50 ml 95972950002	✓			
38065468002	1	Belt Pulley Z 42 HTD 3M	✓			
56083140000	1	Set screw ISO4026 M5x12-A2-70	✓			
38023697000	1	Toothed belt 9 S3M3x225	✓	✓	✓	

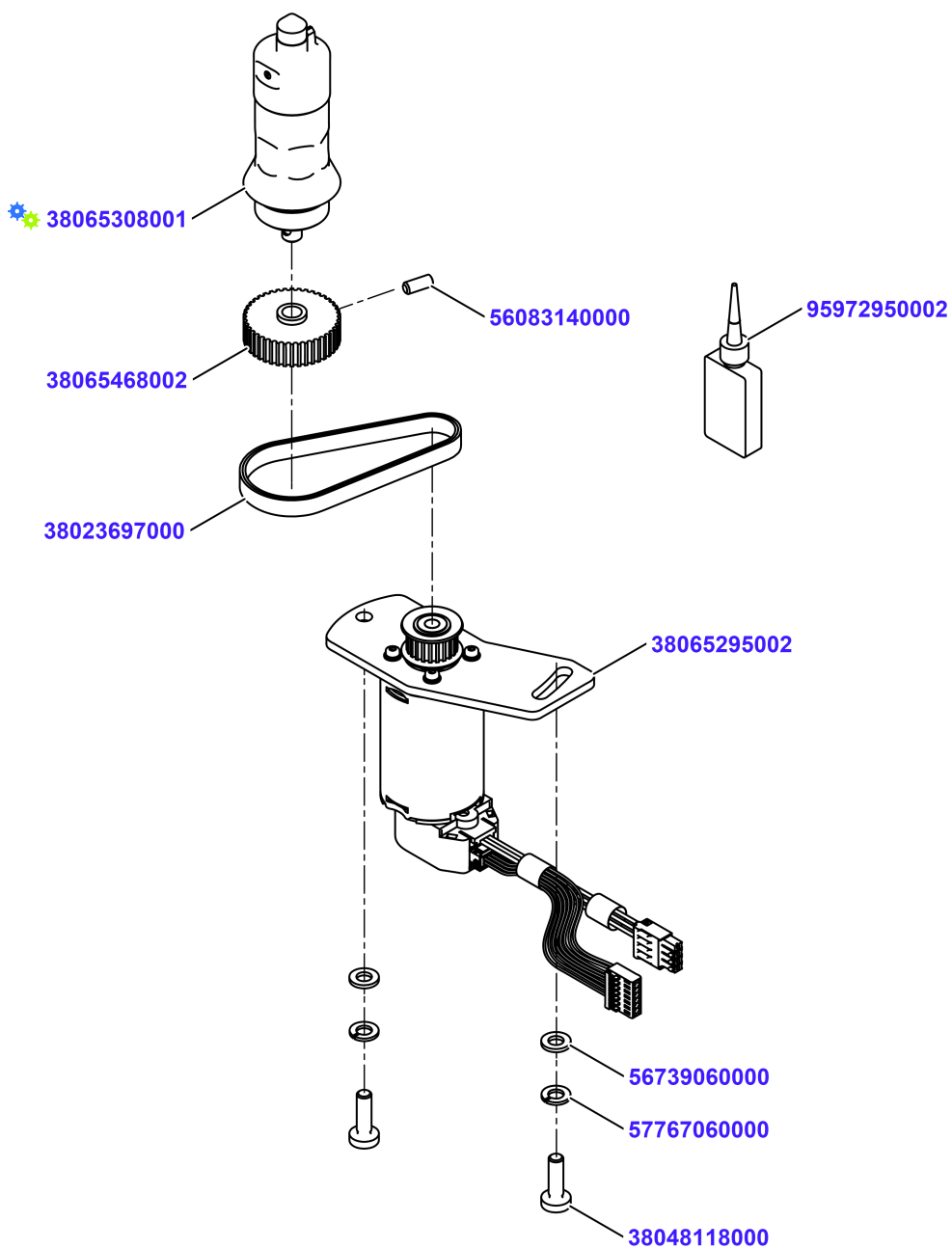
Chain Drive Shaft cpl



Chain Drive Shaft cpl

Material No.	Qty	Material description	available for order	Wear part	Recomm. sp. part	Metr. relevance
60820304102	1	Spindle				
38023714000	2	Grooved ball bearing DIN625 8x22x7				
96055070000	0,001	Grease PARALIQ GA 343				
60820304200	1	drive shaft				
38018783001	1	Driving Pin				
56070510000	1	Set screw DIN926 M4x10-A2-70				
95972950002	0,001	Loctite 243 50 ml 95972950002				
60850104310	1	Sealing				

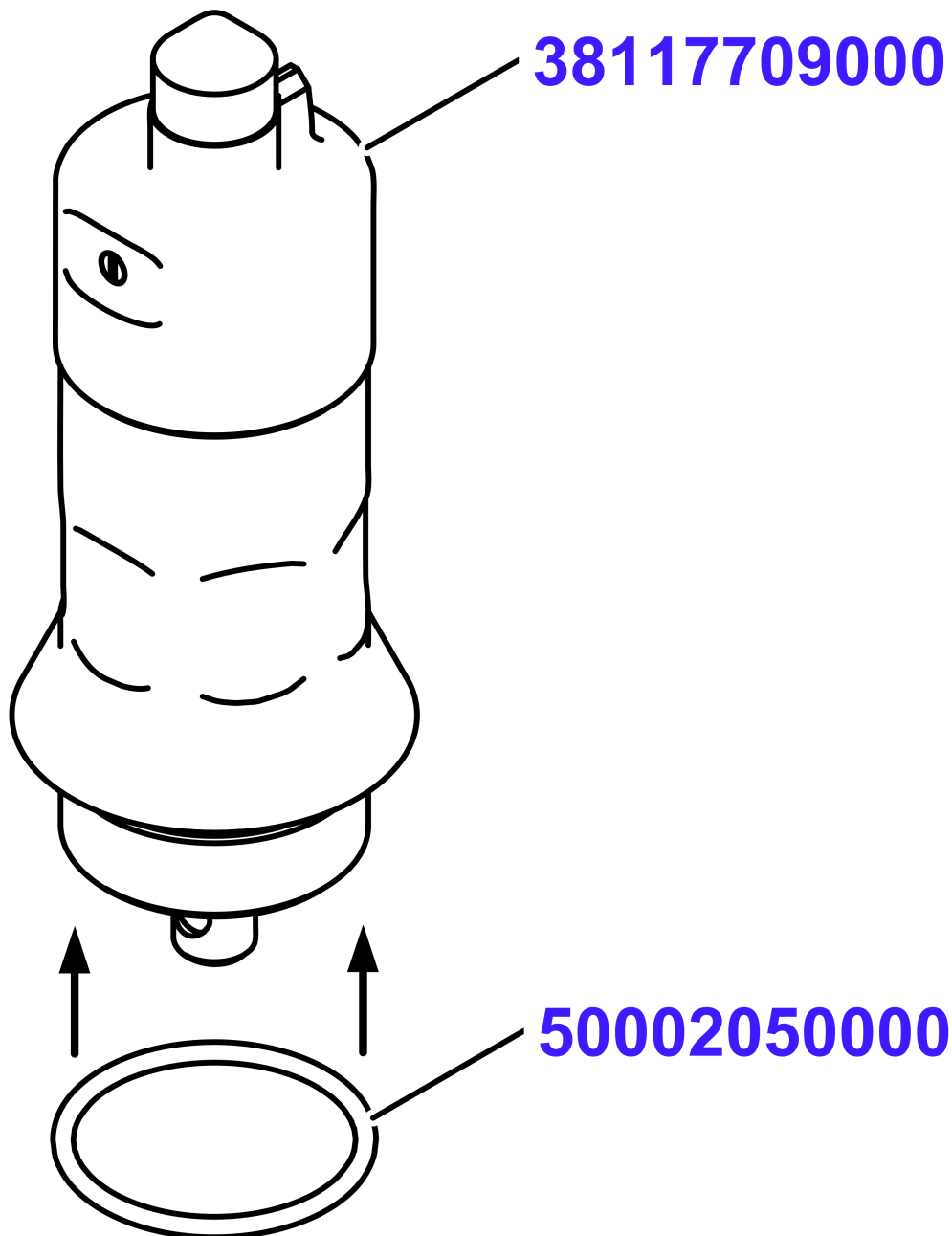
Drive Chainframe cpl



Drive Chainframe cpl



Material No.	Qty	Material description	available for order	Wear part	Recomm. sp. part	Metr. relevance
38065295002	1	Chaindrive preass	✓			
38048118000	2	Oval-head screw ISO14583 M6x20-A2-70-T30	✓			
56739060000	2	Washer DIN125-A-6-A2	✓			
57767060000	2	Spring lock washer DIN128-A6-FSt	✓			
38065308001	1	Chain Drive Shaft cpl	✓			
95972950002	0,001	Loctite 243 50 ml 95972950002	✓			
38065468002	1	Belt Pulley Z 42 HTD 3M	✓			
56083140000	1	Set screw ISO4026 M5x12-A2-70	✓			
38023697000	1	Toothed belt 9 S3M3x225	✓	✓	✓	

Chain Drive Shaft cpl

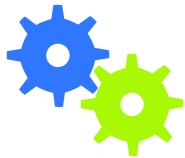


Chain Drive Shaft cpl

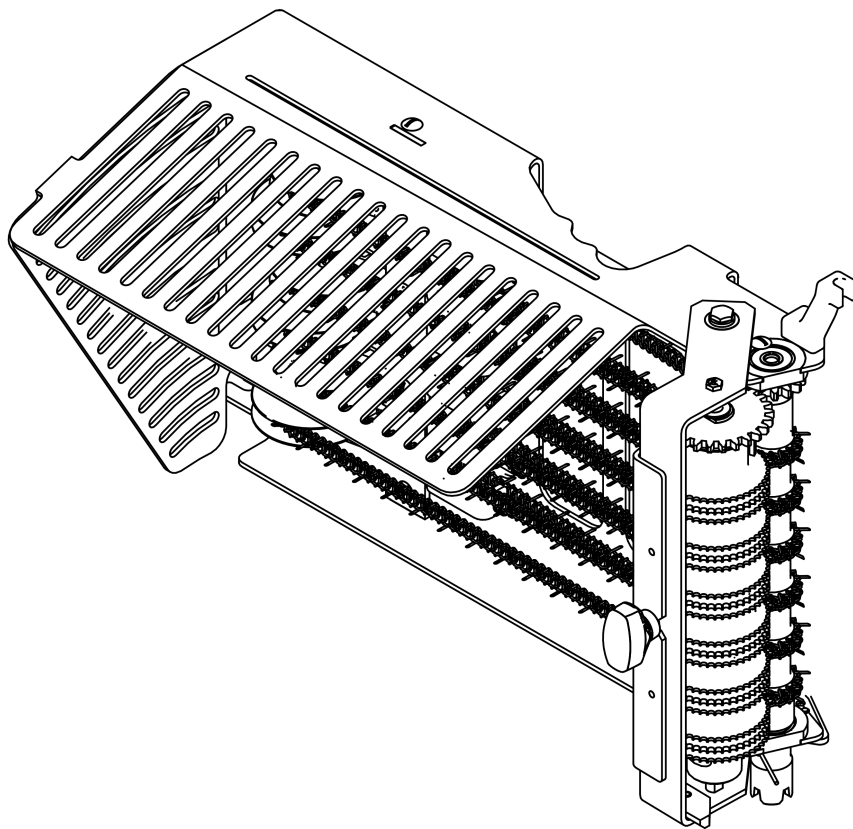
Material No.	Qty	Material description
38117709000	1	Chain Drive Shaft preass
50002050000	1	O-ring DIN3771 27,5x2 NBR

available for order	Wear part	Recomm. sp. part	Metr. relevance
			
			

Chain frame+shaving deflector



38059028010



up to 11867701

Chain frame+shaving deflector

Material No.	Qty	Material description
38059028010	1	Chainframe stainless cpl. VSI

available for order

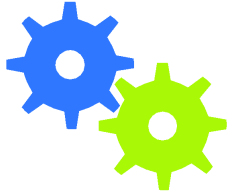
Wear part

Recomm. sp. part

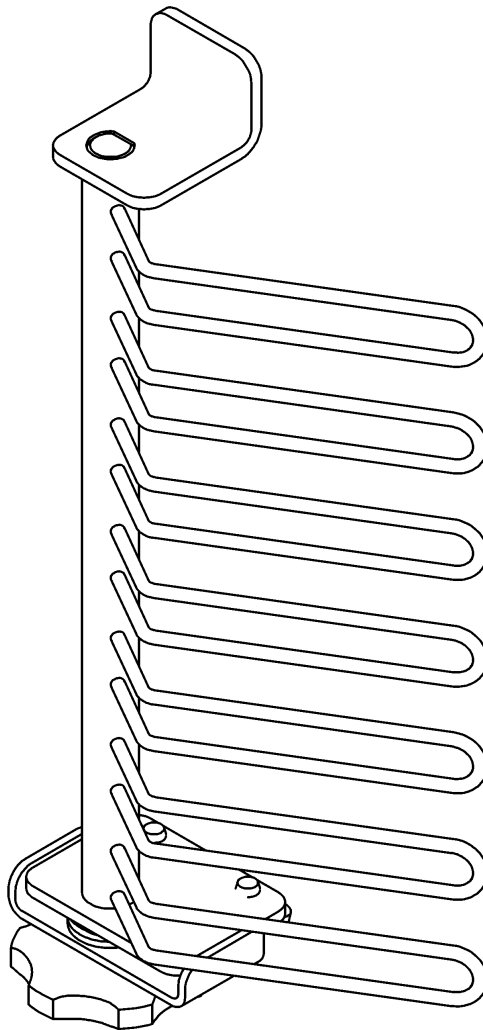
Metr. relevance



Chain frame+shaving deflector



38080991001



Chain frame+shaving deflector

Material No. **Qty** **Material description**

[38080991001](#) 1 Shaving Deflector

available for order

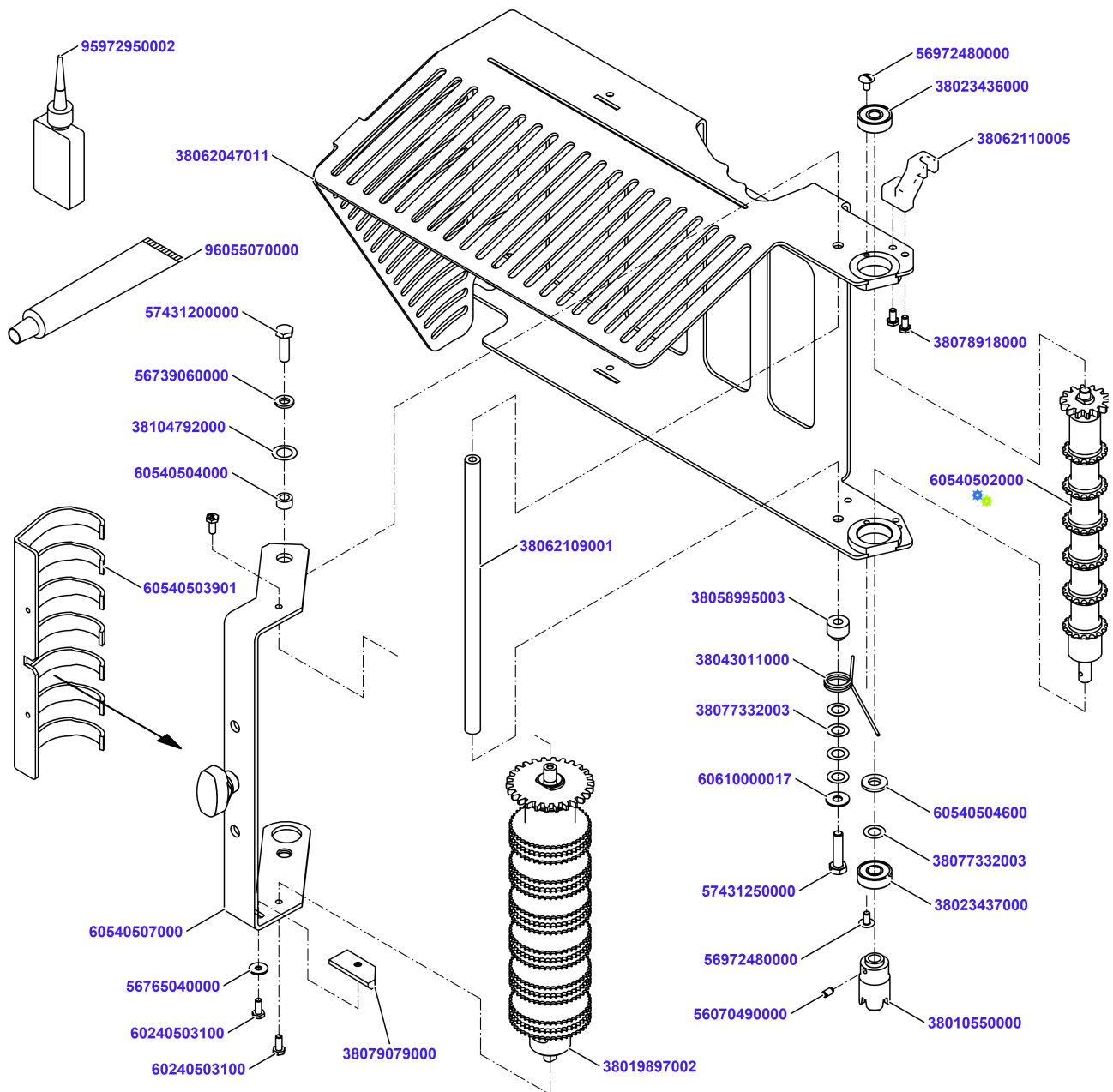
Wear part

Recomm. sp. part

Metr. relevance



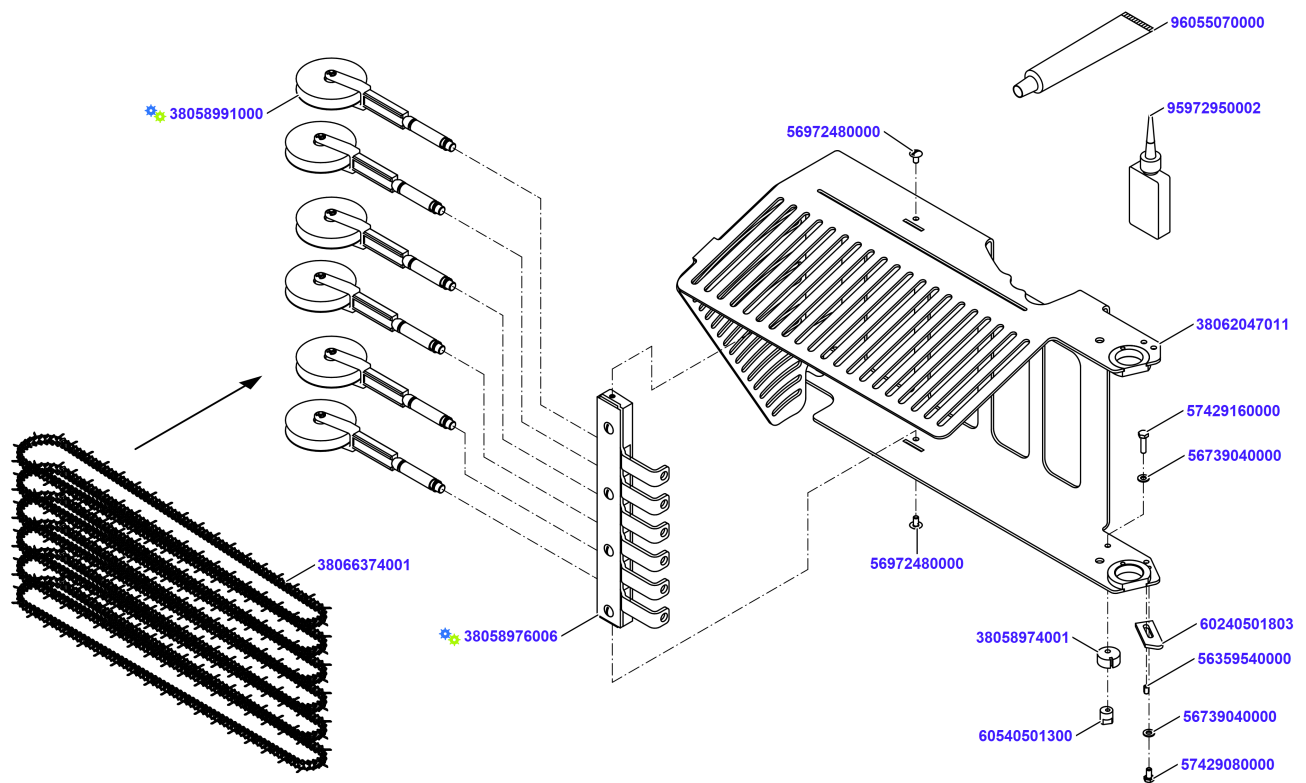
Chainframe stainless cpl. VSI



Chainframe stainless cpl. VSI

Material No.	Qty	Material description	available for order	Wear part	Recomm. sp. part	Metr. relevance
38062047011	1	Frame cpl. VSI	✓			
38023436000	1	GROOVED BALL BEARING 627 2RSVA WITH BARR	✓			
38023437000	1	Grooved Ball Bearing 608 2RSVA with Barr	✓			
95972950002	0,001	Loctite 243 50 ml 95972950002	✓			
56972480000	2	Mushroom head screw M4x8-A2-70 Tuflok	✓			
60540502000	1	PLASTIC ROLLER WHEEL CPL.	✓			
60540504600	1	cover plate	✓			
38077332003	1	Thrusted washer 13,8x8,2x0,18	✓			
56972480000	2	Mushroom head screw M4x8-A2-70 Tuflok	✓			
38010550000	1	Cam sleeve preass	✓		✓	
56070490000	1	Set screw DIN926 M4x6-A2-70	✓			
96055070000	0,001	Grease PARALIQ GA 343	✓			
38019897002	1	Plastic roller cpl	✓			
60540507000	1	bracket cpl.	✓			
60240503100	2	Hexagon screw DIN 933 M4x10-A2-70	✓			
38062109001	1	Distance Piece	✓			
60540504000	1	sleeve	✓			
38104792000	1	Shim ring DIN988-10x16x0,1	✓			
56739060000	1	Washer DIN125-A-6-A2	✓			
57431200000	1	Hexagon Screw DIN 933-M6x20-A2-7	✓			
38058995003	1	Bushing	✓			
38043011000	1	Torsion Spring	✓			
38077332003	4	Thrusted washer 13,8x8,2x0,18	✓			
60610000017	1	washer	✓			
57431250000	1	Hexagon screw DIN933 M6x25 A2-70	✓			
38079079000	1	Driver	✓			
60240503100	1	Hexagon screw DIN 933 M4x10-A2-70	✓			
56765040000	1	Washer DIN9021-4-A2	✓			
60540503901	1	guide cam	✓			
38062110005	1	Fixing mach Schubert-Salzer	✓			
38078918000	2	Hexagon Screw M4x8 A2-70 rounded head	✓			

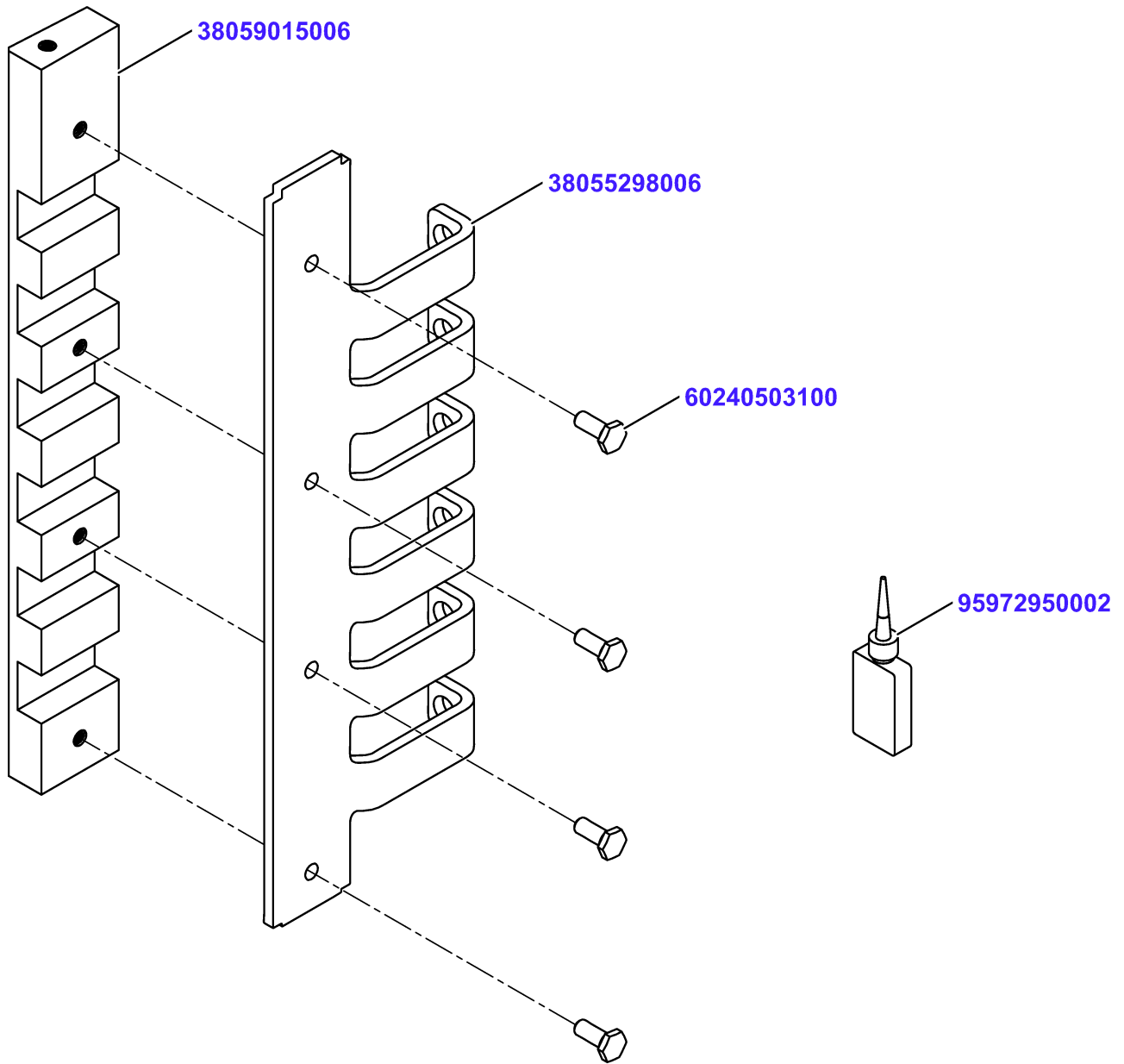
Chainframe stainless cpl. VSI







Chainframe stainless cpl. VSI

Material No.	Qty	Material description	available for order	Wear part	Recomm. sp. part	Metr. relevance
38062047011	1	Frame cpl. VSI	✓			
38058974001	1	Tappet	✓			
60540501300	1	stop	✓			
57429160000	1	Hexagon Screw DIN 933-M4x16-A2-7	✓			
56739040000	1	Washer DIN 125-A 4.3-A2-70 56739040000	✓			
95972950002	0,001	Loctite 243 50 ml 95972950002	✓			
38058976006	1	Slider Mounting cpl	✓			
56972480000	2	Mushroom head screw M4x8-A2-70 Tuflok	✓			
56972480000	2	Mushroom head screw M4x8-A2-70 Tuflok	✓			
38058991000	6	Slider cpl	✓			
96055070000	0,001	Grease PARALIQ GA 343	✓			
38066374001	6	Chain	✓	✓	✓	
60240501803	1	Driver 35x14x3	✓			
56359540000	1	Grooved Pin DIN 1473-4x6-A2-70	✓			
57429080000	1	Hexagon Screw DIN 933 M4x8-A2-70	✓			
56739040000	1	Washer DIN 125-A 4.3-A2-70 56739040000	✓			

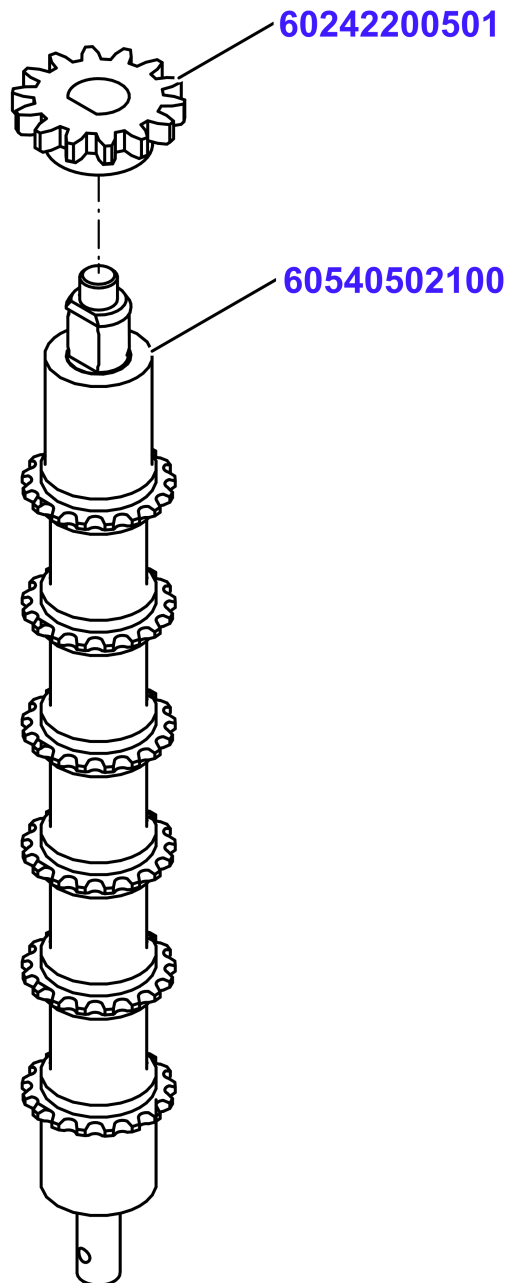
Slider Mounting cpl



Slider Mounting cpl

Material No.	Qty	Material description	available for order	Wear part	Recomm. sp. part	Metr. relevance
38055298006	1	Plate				
38059015006	1	Slider Mounting				
60240503100	4	Hexagon screw DIN 933 M4x10-A2-70				
95972950002	0,004	Loctite 243 50 ml 95972950002				

PLASTIC ROLLER WHEEL CPL.

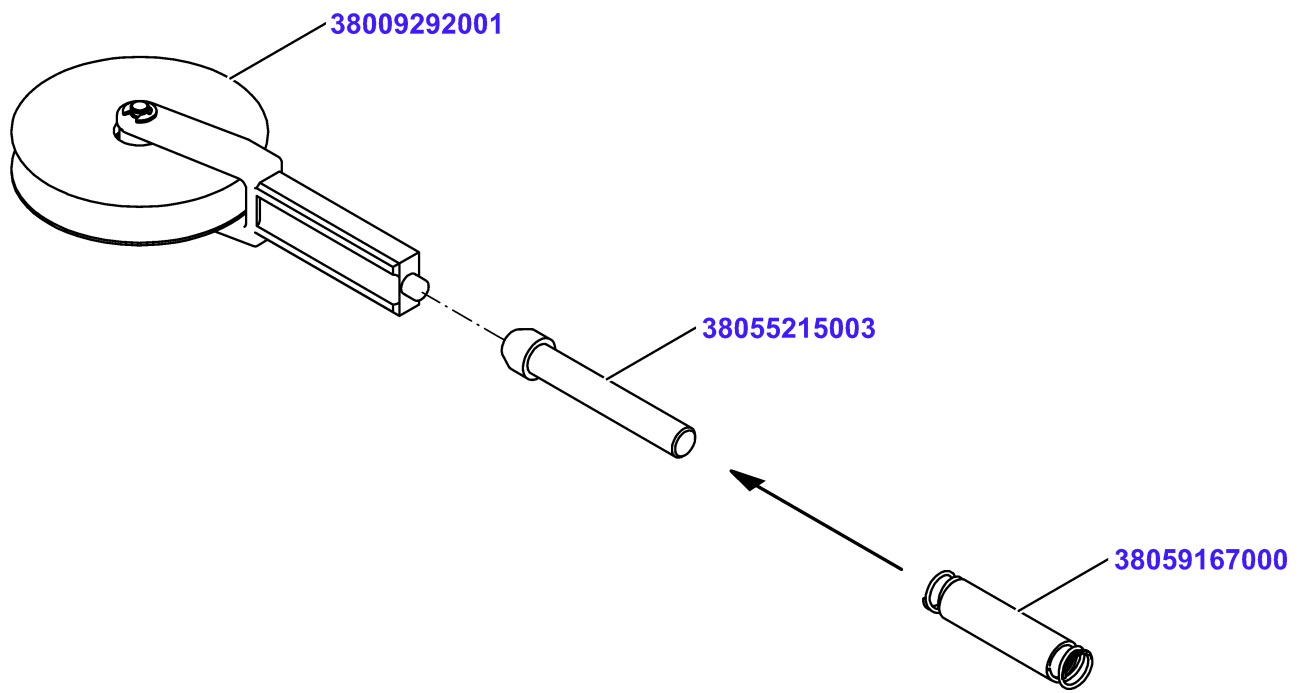


PLASTIC ROLLER WHEEL CPL.

Material No.	Qty	Material description
60540502100	1	PLASTIC ROLLER WHEEL, PREASSEMBLED
60242200501	1	gear wheel for drive roller

available for order	Wear part	Recomm. sp. part	Metr. relevance

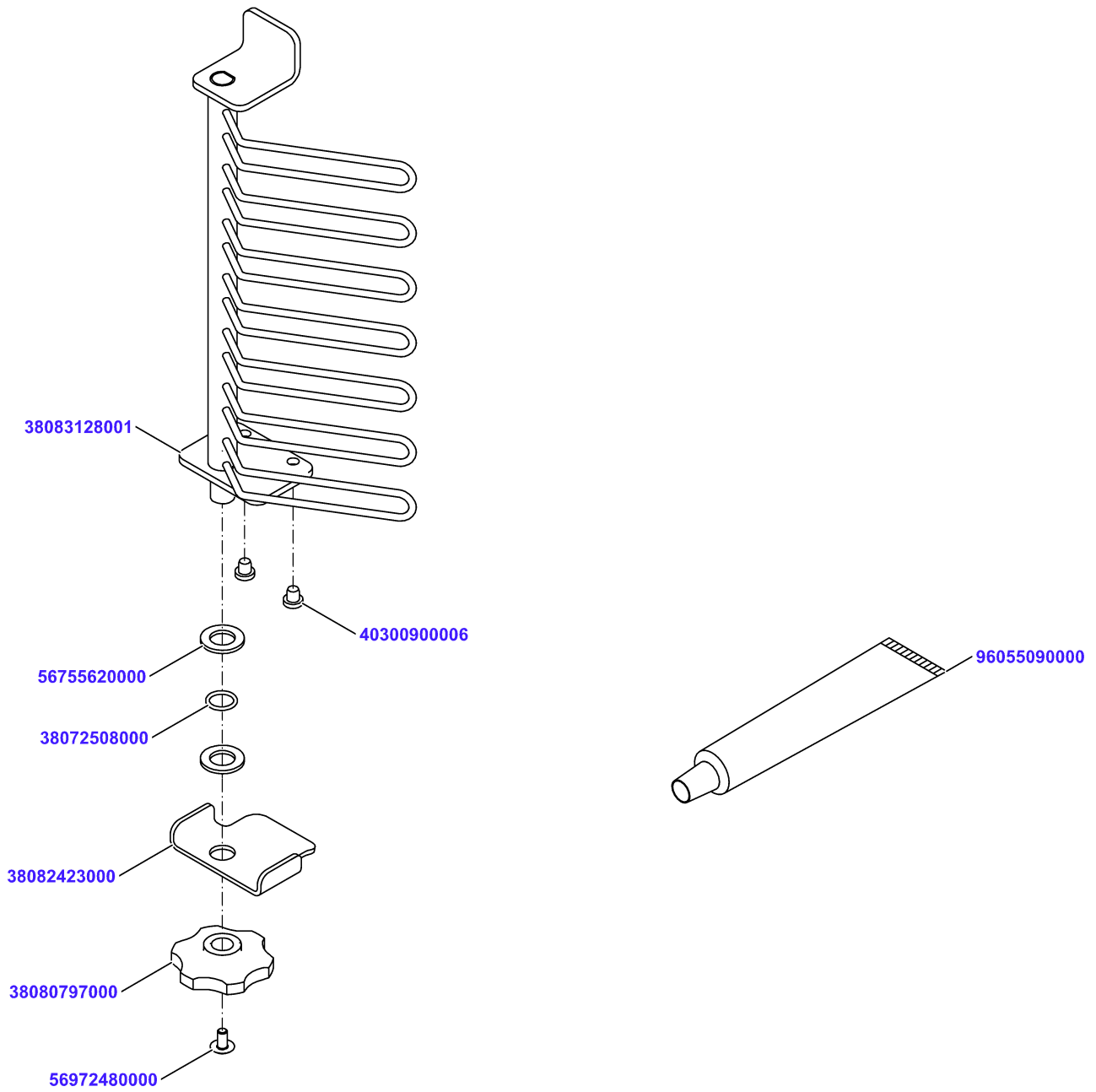
Slider cpl



Slider cpl

Material No.	Qty	Material description	available for order	Wear part	Recomm. sp. part	Metr. relevance
38009292001	1	Slider prem	✓	✓	✓	
38055215003	1	Bolt	✓	✓	✓	
38059167000	1	Comp. spring 9,5x7,7x43x13,49-0,86	✓	✓	✓	

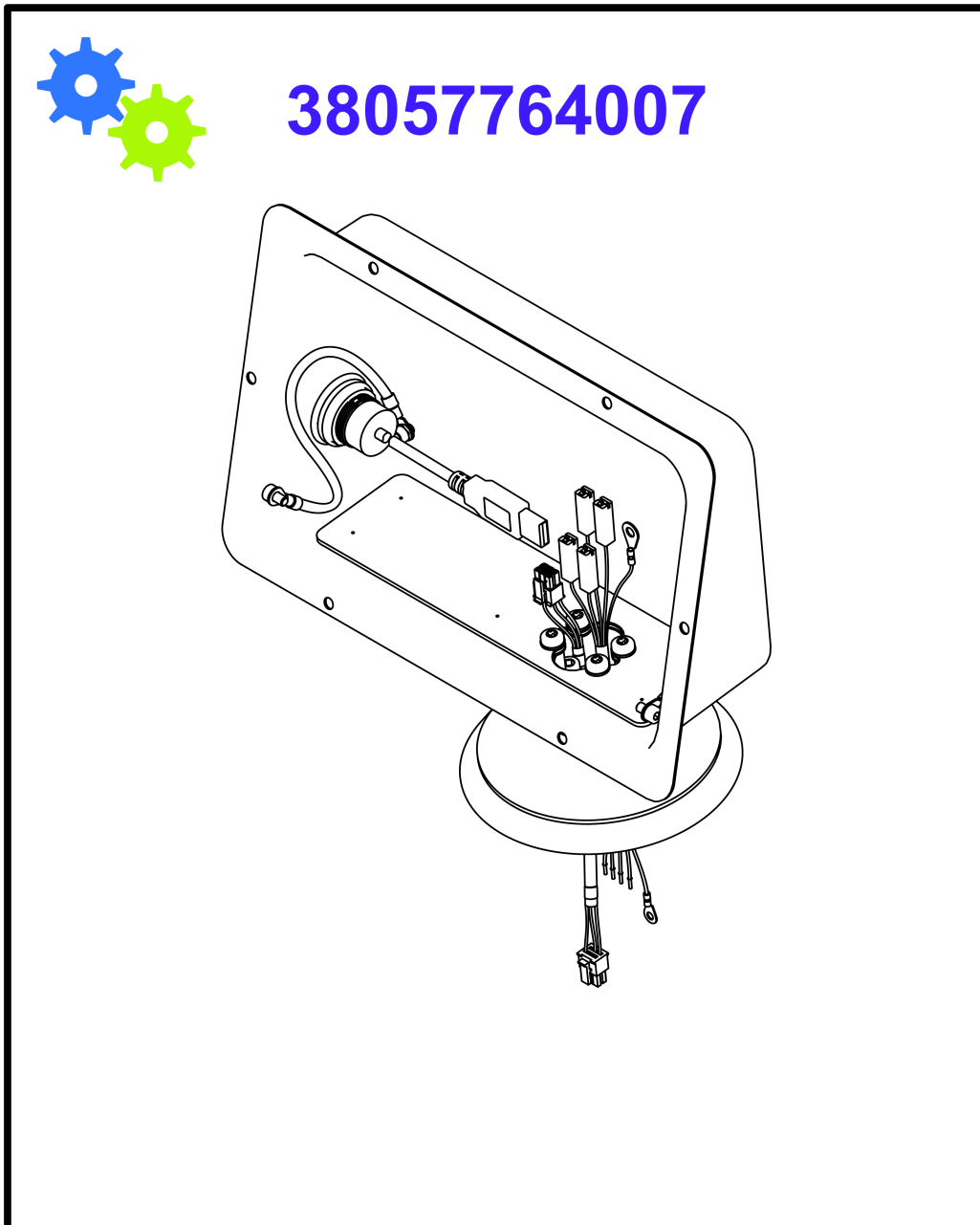
Shaving Deflector



Shaving Deflector

Material No.	Qty	Material description	available for order	Wear part	Recomm. sp. part	Metr. relevance
38083128001	1	Shaft preassembled				
40300900006	2	slide pin				
38082423000	1	Clamping plate				
38072508000	1	O-ring 10x1,5 NBR				
56755620000	2	Washer DIN433-10-PA66				
38080797000	1	Star Knob				
96055090000	0,001	Assembly-paste Rivolta F.L.A. 100 ml				
56972480000	1	Mushroom head screw M4x8-A2-70 Tuflok				

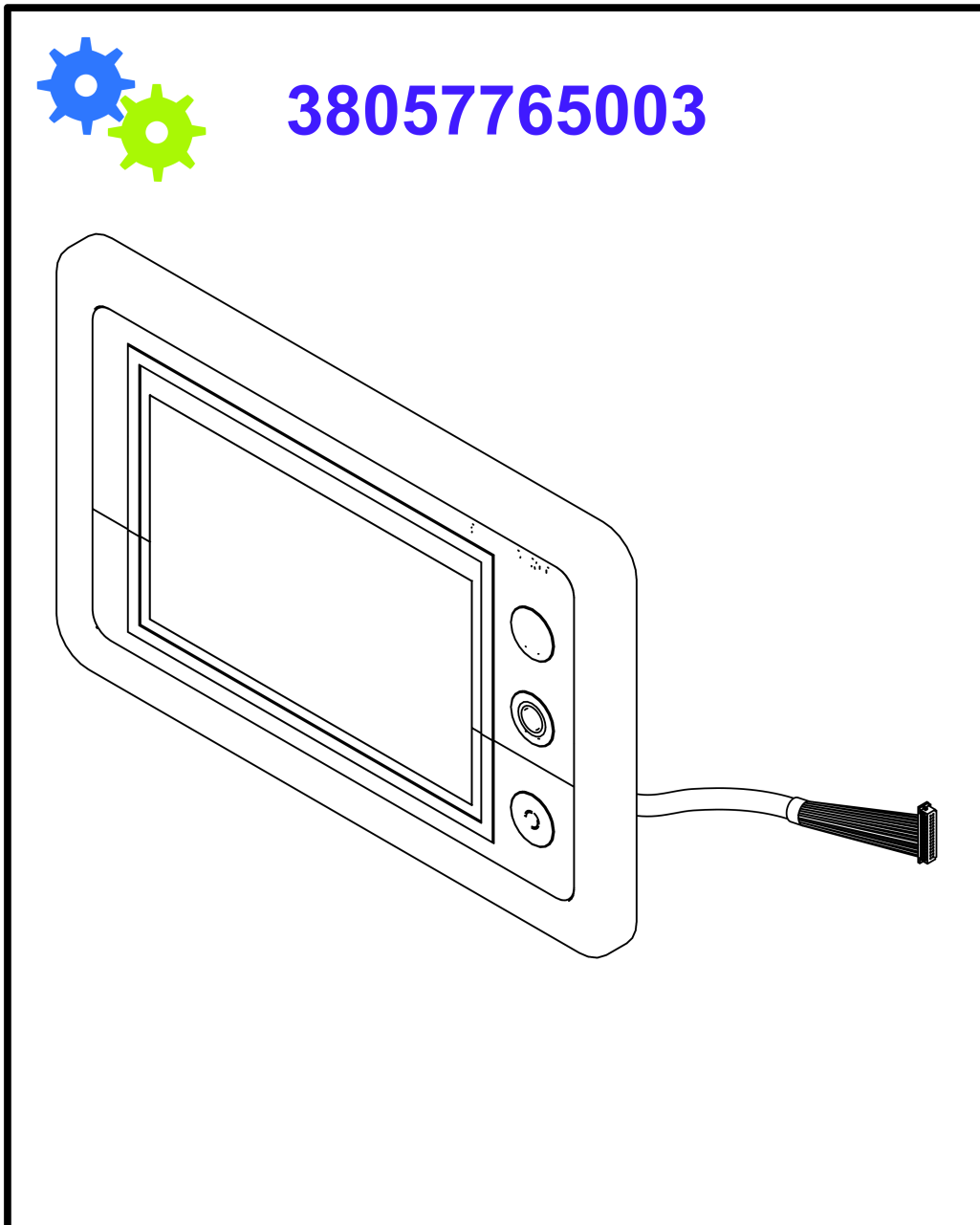
Terminal



Terminal

Material No.	Qty	Material description	available for order	Wear part	Recomm. sp. part	Metr. relevance
38057764007	1	Terminal Mounting Kit top cpl.				

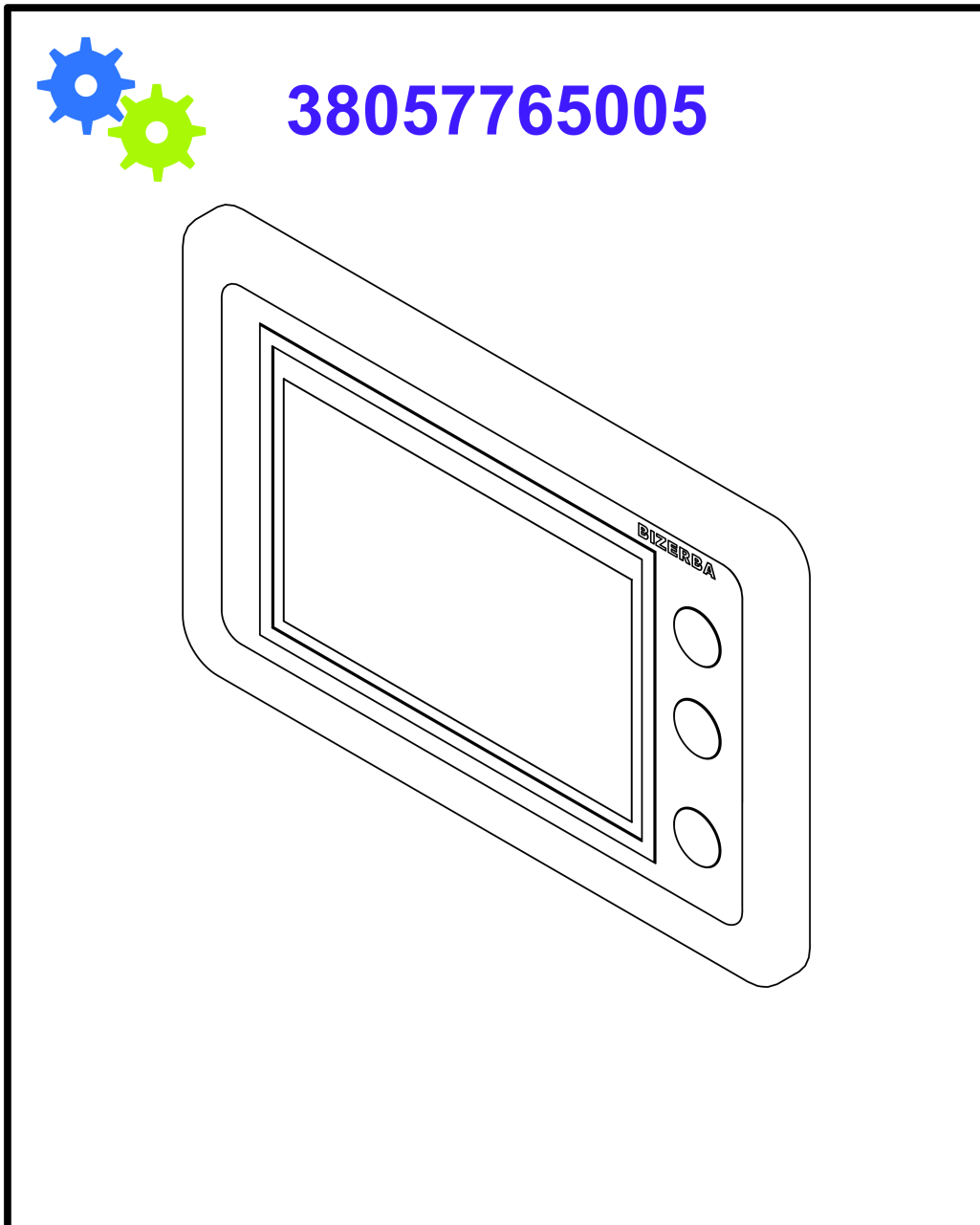
Terminal



Terminal

Material No.	Qty	Material description	available for order	Wear part	Recomm. sp. part	Metr. relevance
38057765003	1	Terminal Front cpl				

Terminal



Terminal

Material No. **Qty** **Material description**

[38057765005](#) 1 Terminal Front cpl.

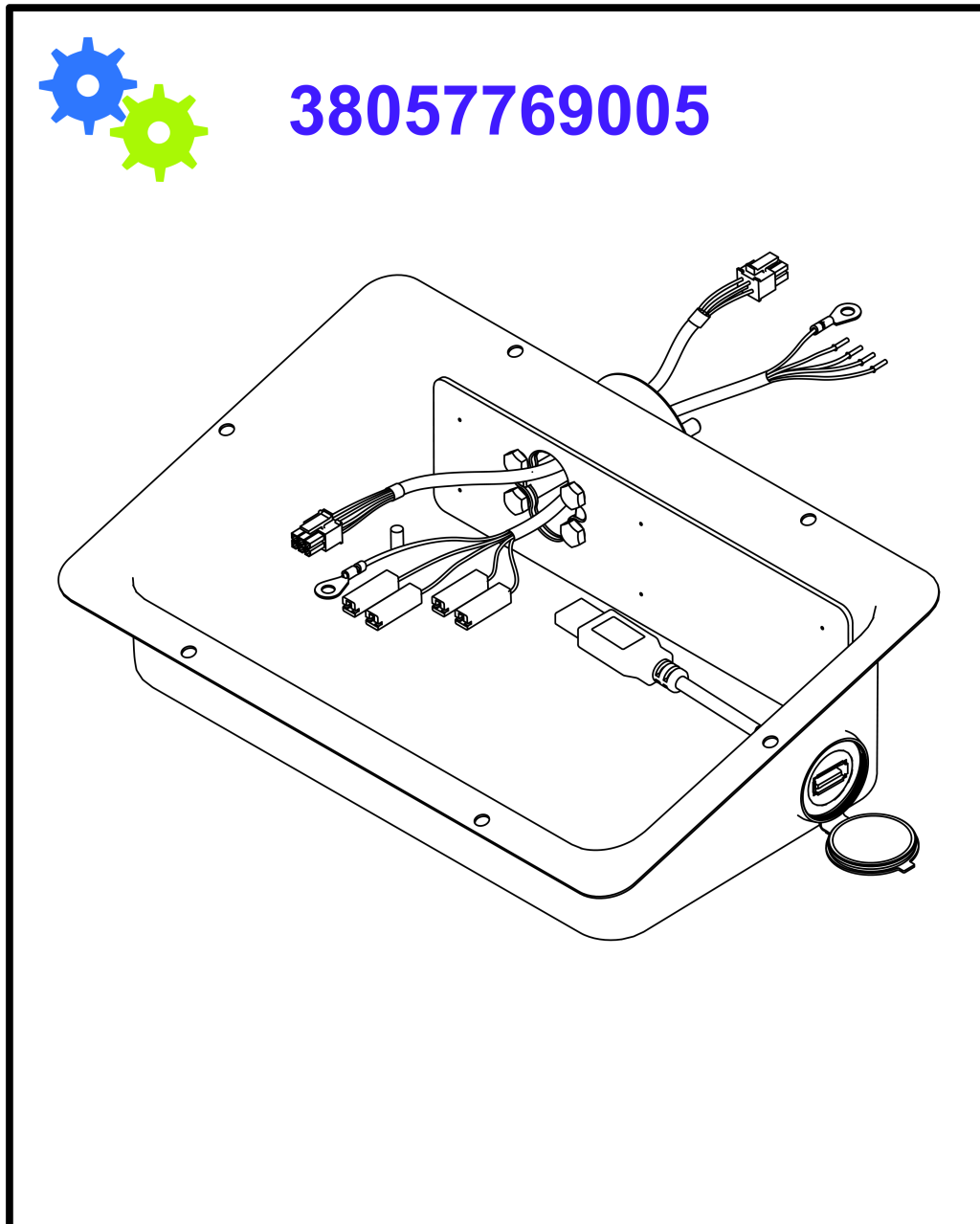
available for order

Wear part

Recomm. sp. part

Metr. relevance

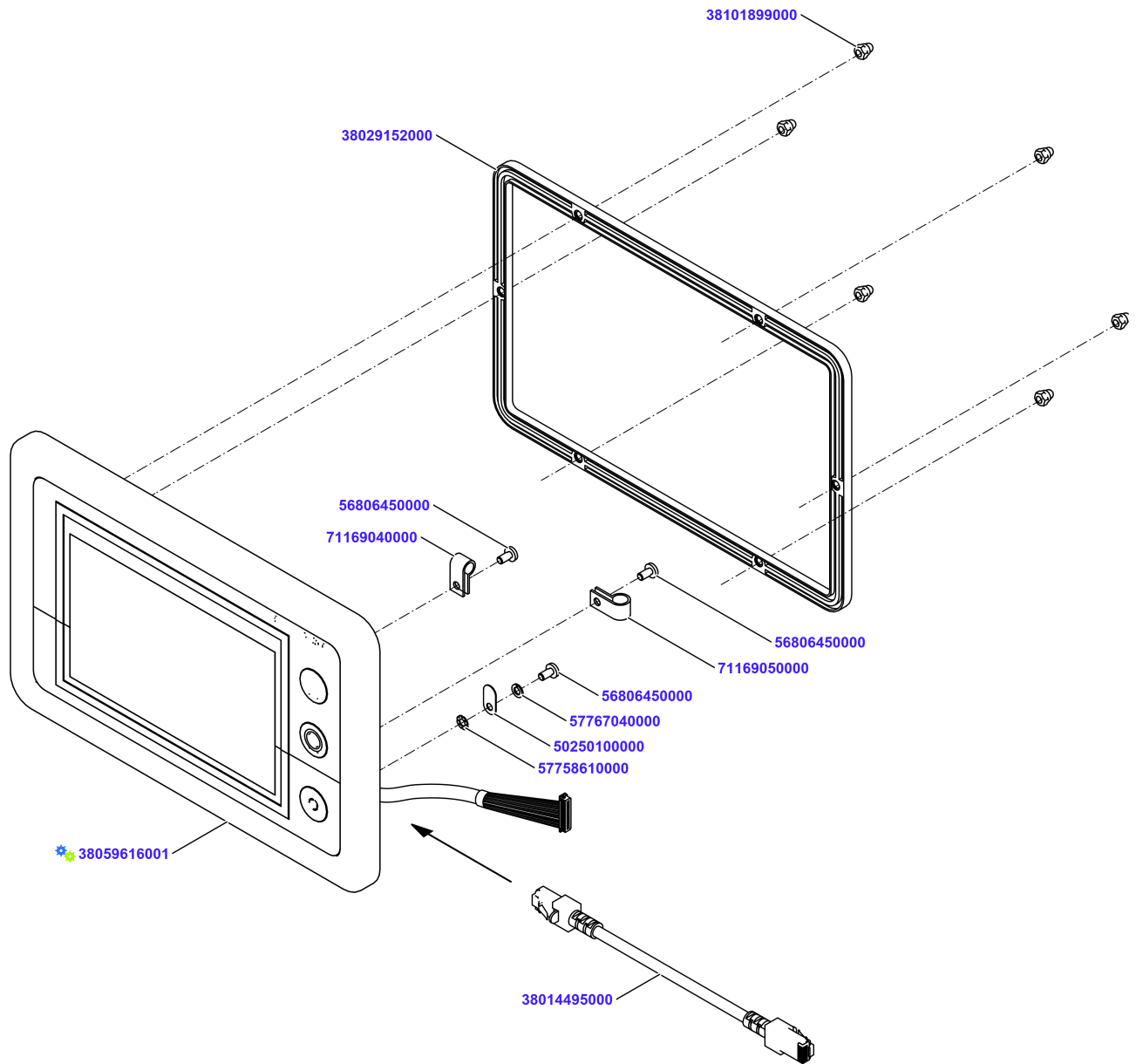
Terminal



Terminal

Material No.	Qty	Material description	available for order	Wear part	Recomm. sp. part	Metr. relevance
38057769005	1	Terminal Mounting Kit bottom cpl				

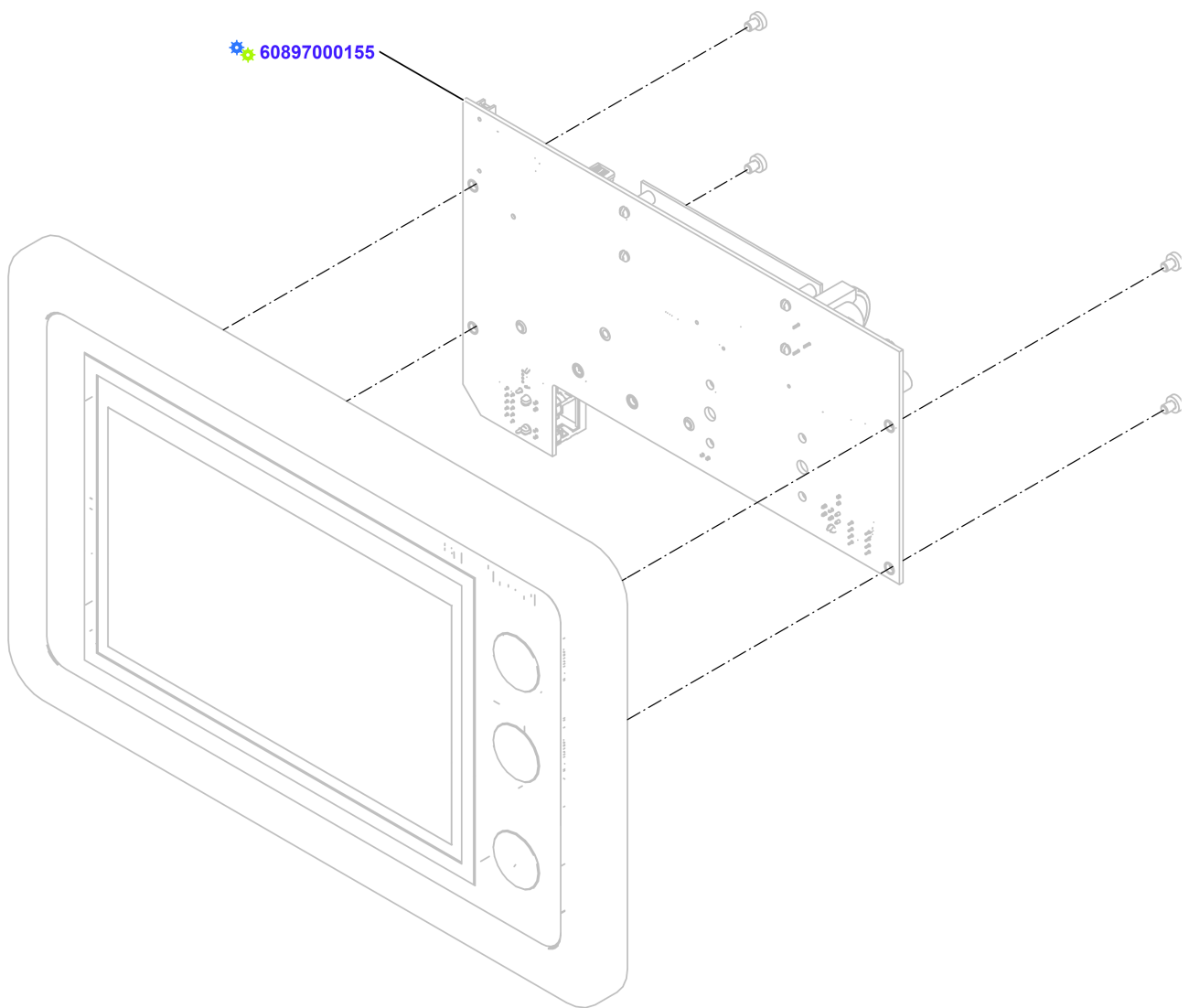
Terminal Front cpl



Terminal Front cpl

Material No.	Qty	Material description	available for order	Wear part	Recomm. sp. part	Metr. relevance
38059616001	1	Terminal Front and CPU	✓			
38029152000	1	seal CT501	✓		✓	
38101899000	6	Cap nut DIN986-M4-A2	✓			
71169050000	1	Cable Clamp nylon 7,4mm NK-5N	✓			
56806450000	1	Oval-Head Screw ISO 14583-M4x8-T20-A2-70	✓			
71169040000	1	Nylon-Clips NK-4N	✓			
56806450000	1	Oval-Head Screw ISO 14583-M4x8-T20-A2-70	✓			
50250100000	1	Grounding Plate 9x17/4.3 D	✓			
56806450000	1	Oval-Head Screw ISO 14583-M4x8-T20-A2-70	✓			
57767040000	1	Spring lock washer DIN128-A4-FSt	✓			
57758610000	1	Toothed washer DIN6797-A 4,3-Fst	✓			
38014495000	1	Patchcable Cat 5e U-UTP UL 1,5m	✓			

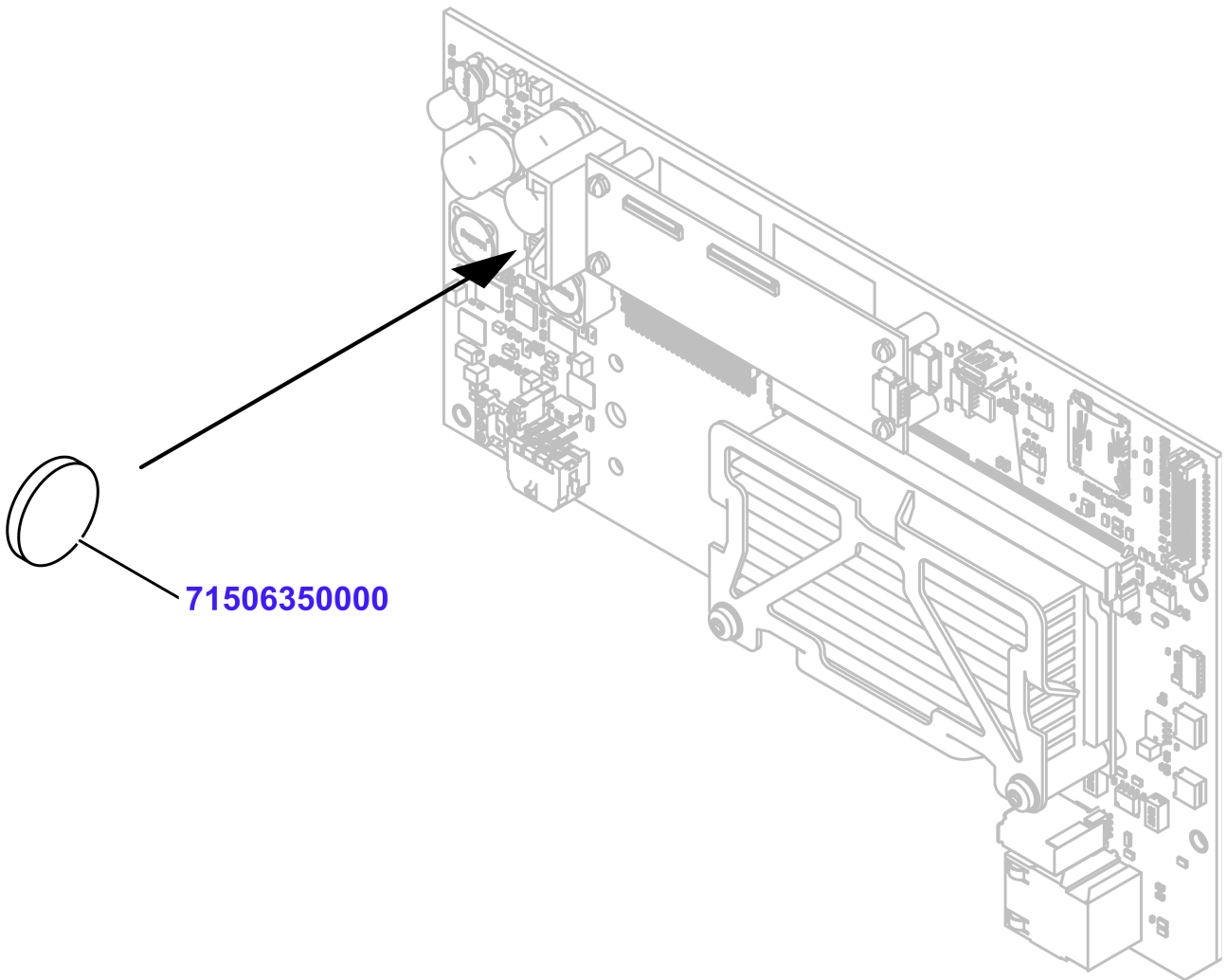
Terminal Front and CPU



Terminal Front and CPU

Material No.	Qty	Material description	available for order	Wear part	Recomm. sp. part	Metr. relevance
60897000155	1	apalis carrierboard + iMX6 1GB Quad				

apalis carrierboard + iMX6 1GB Quad

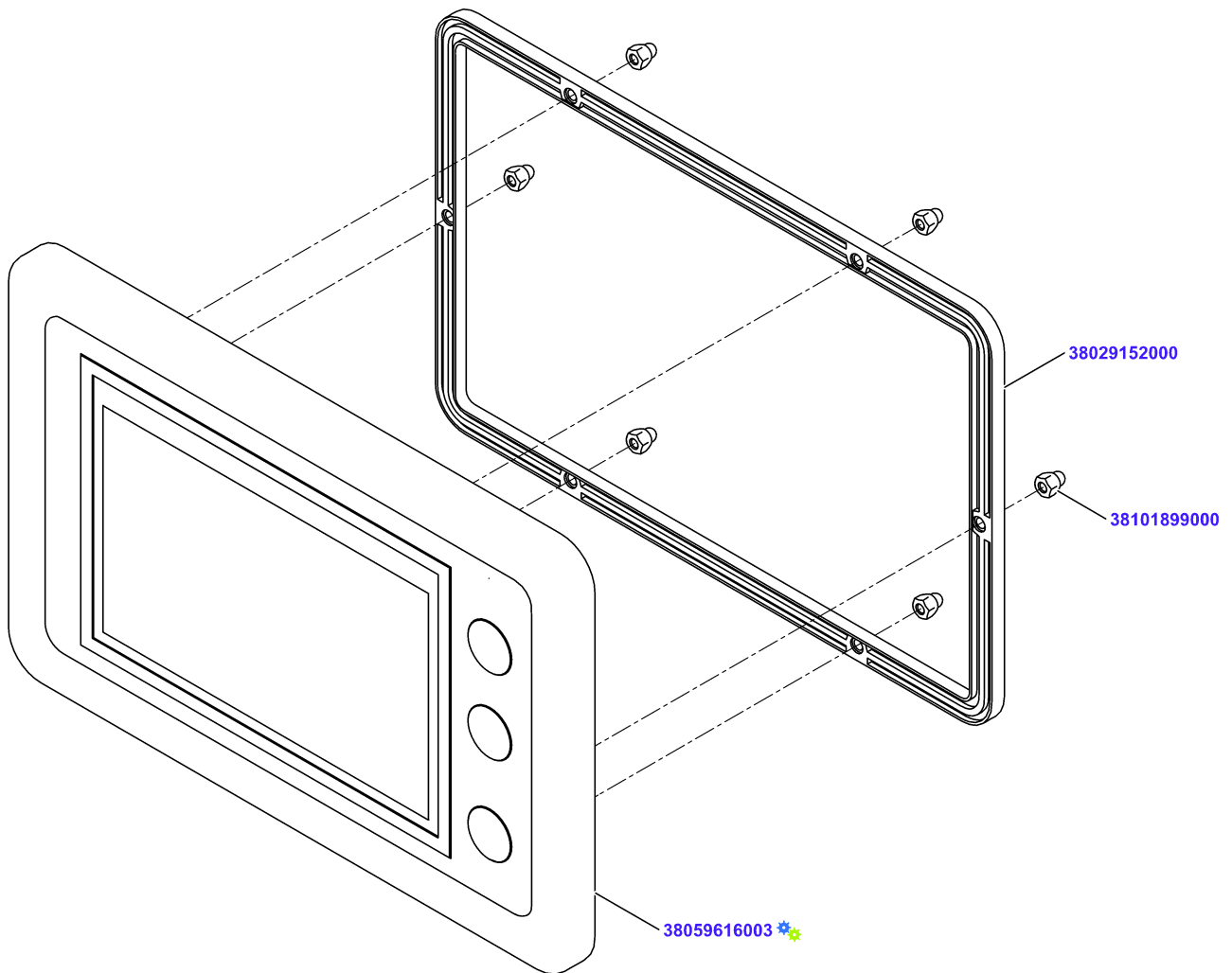


apalis carrierboard + iMX6 1GB Quad

Material No.	Qty	Material description
71506350000	1	Battery Lithium Cell CR2032 UL

available for order	Wear part	Recomm. sp. part	Metr. relevance

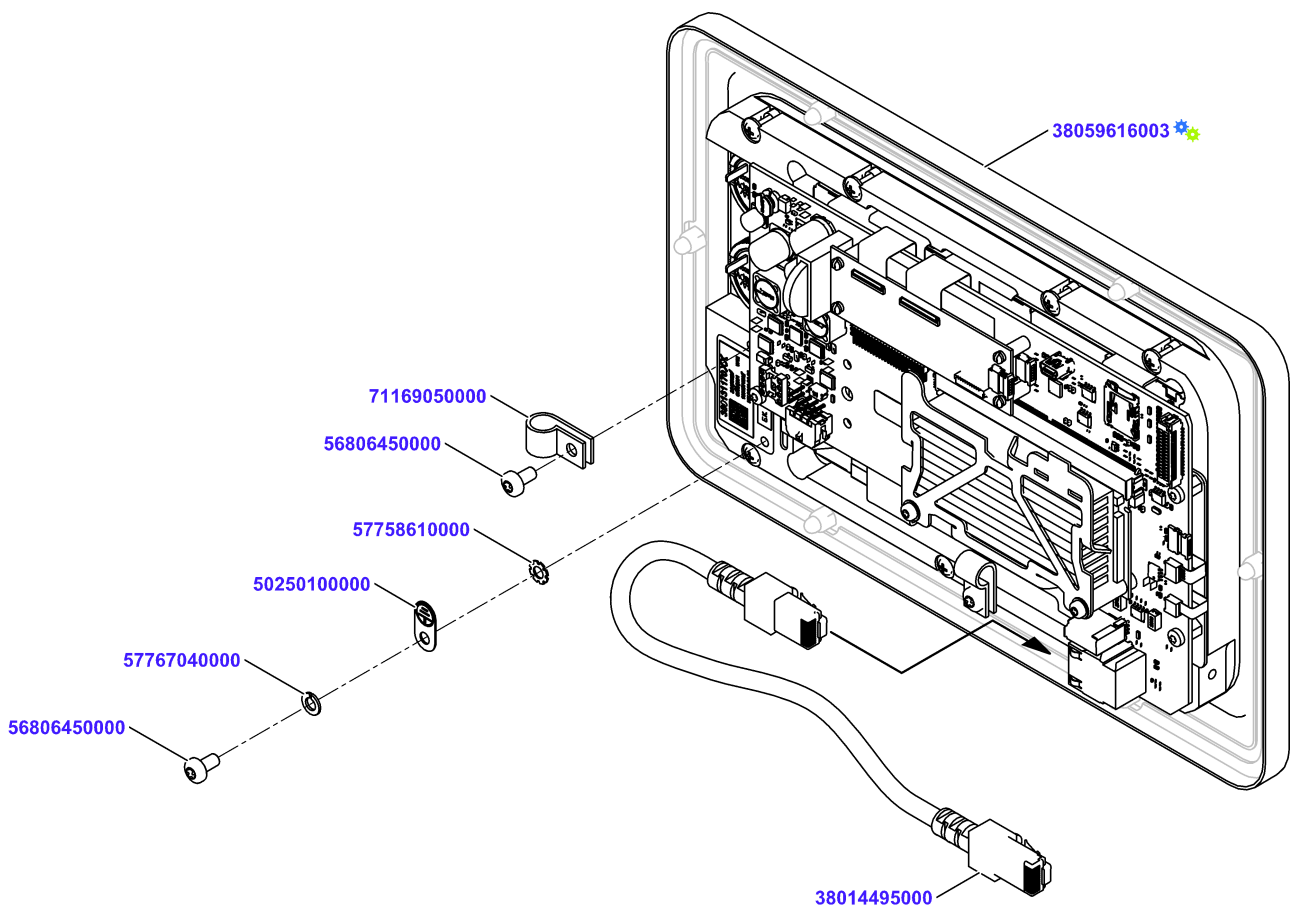
Terminal Front cpl.











Terminal Front cpl.

Material No.	Qty	Material description	available for order	Wear part	Recomm. sp. part	Metr. relevance
38059616003	1	Terminal Front and CPU				
38029152000	1	seal CT501				
38101899000	6	Cap nut DIN986-M4-A2				

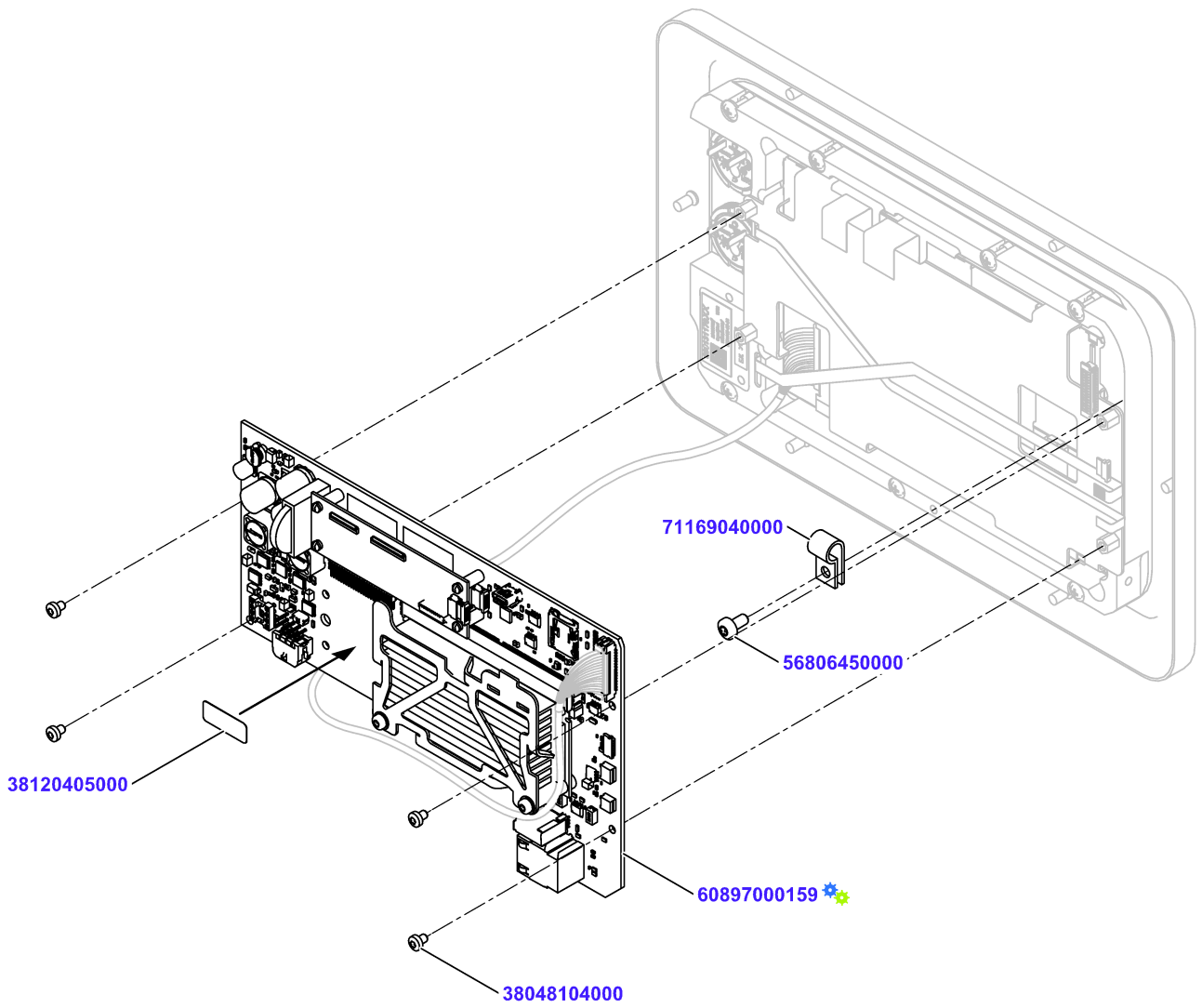
Terminal Front cpl.



Terminal Front cpl.

Material No.	Qty	Material description	available for order	Wear part	Recomm. sp. part	Metr. relevance
38059616003	1	Terminal Front and CPU				
71169050000	1	Cable Clamp nylon 7,4mm NK-5N				
56806450000	1	Oval-Head Screw ISO 14583-M4x8-T20-A2-70				
50250100000	1	Grounding Plate 9x17/4.3 D				
56806450000	1	Oval-Head Screw ISO 14583-M4x8-T20-A2-70				
57767040000	1	Spring lock washer DIN128-A4-FSt				
57758610000	1	Toothed washer DIN6797-A 4,3-Fst				
38014495000	1	Patchcable Cat 5e U-UTP UL 1,5m				

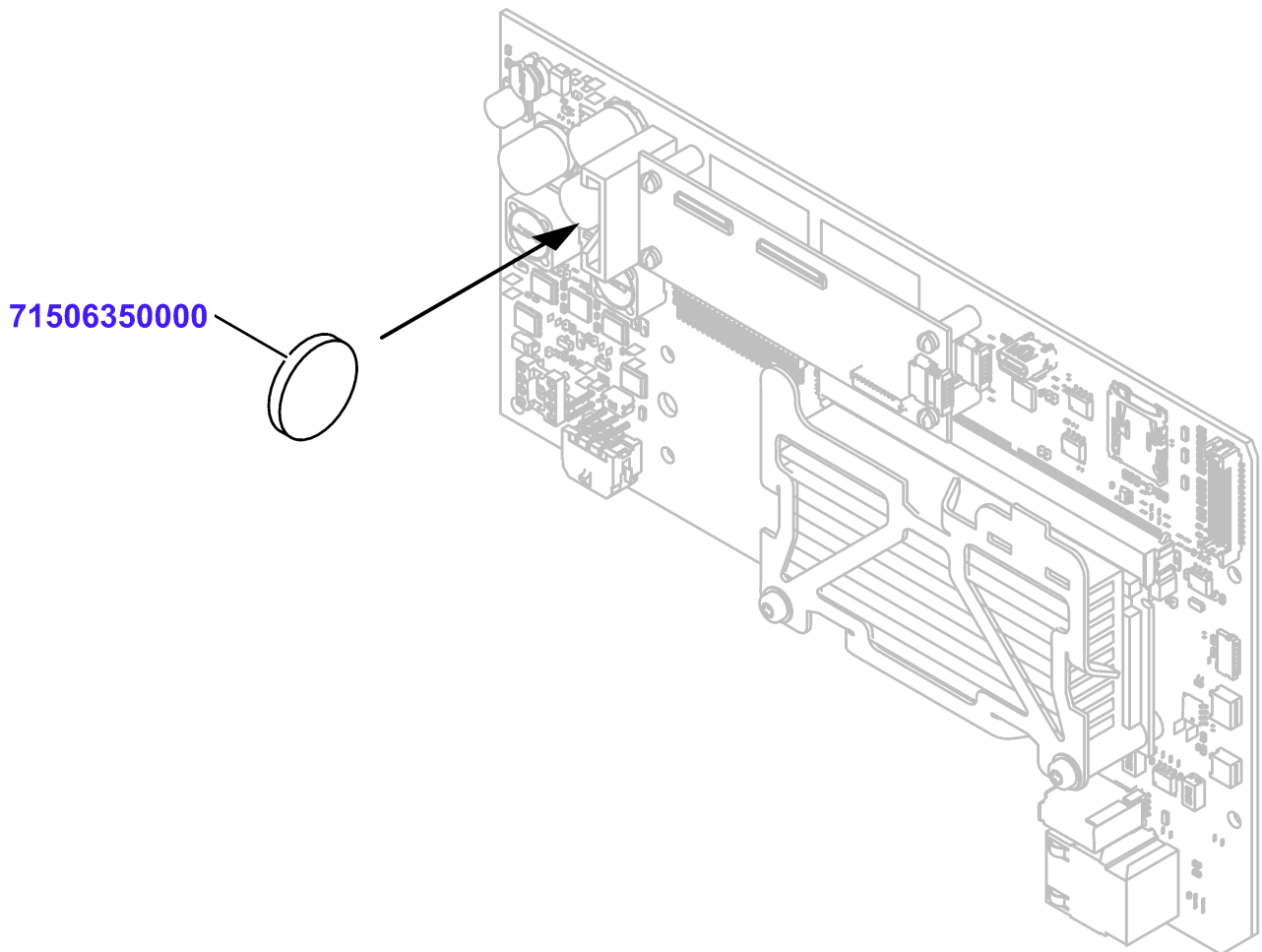
Terminal Front and CPU



Terminal Front and CPU

Material No.	Qty	Material description	available for order	Wear part	Recomm. sp. part	Metr. relevance
60897000159	1	Apalis carrierboard + iMX6 1GB Quad				
38120405000	1	Label Softw. License Win Compact 2013 GE	✓			
38048104000	4	Oval-head screw ISO14583 M3x4-A2-70-T10	✓			
56806450000	1	Oval-Head Screw ISO 14583-M4x8-T20-A2-70	✓			
71169040000	1	Nylon-Clips NK-4N	✓			

Apalis carrierboard + iMX6 1GB Quad

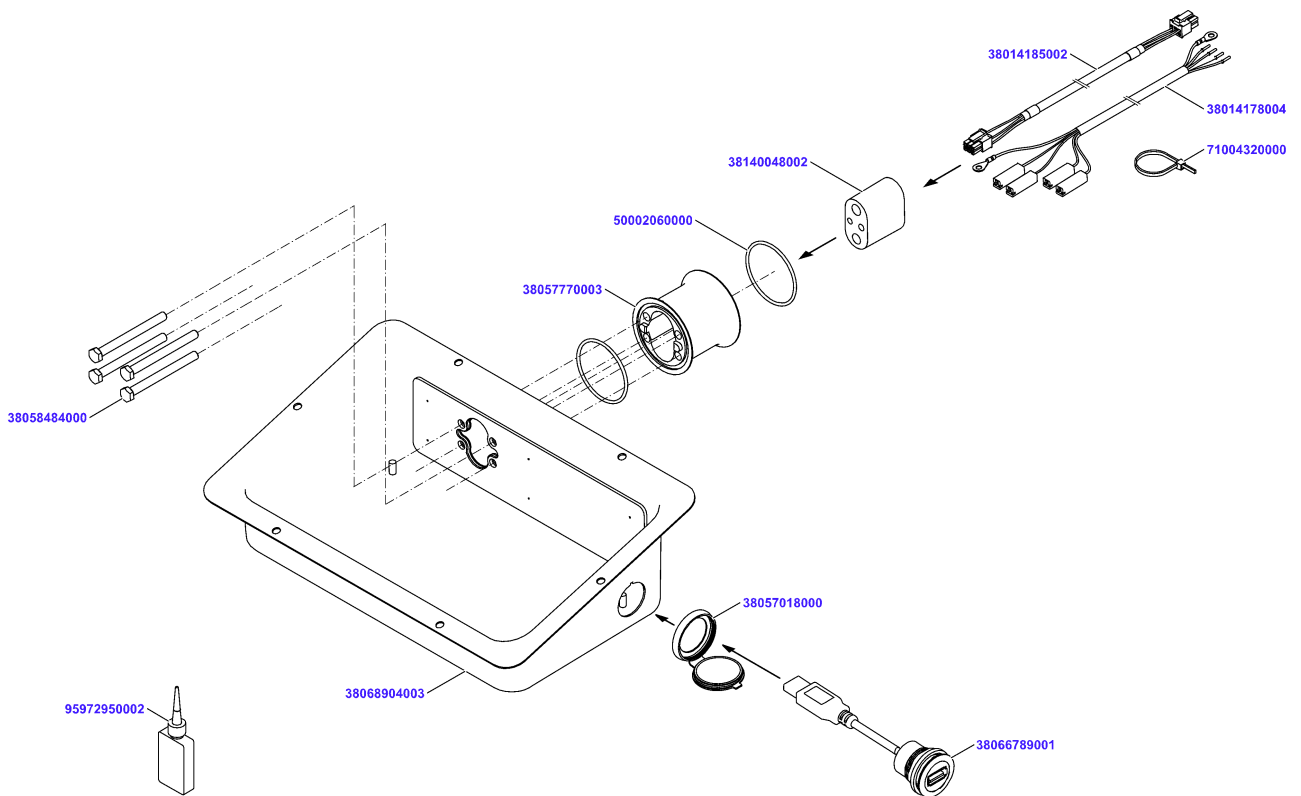


Apalis carrierboard + iMX6 1GB Quad

Material No.	Qty	Material description
71506350000	1	Battery Lithium Cell CR2032 UL

available for order
Wear part
Recomm. sp. part
Metr. relevance

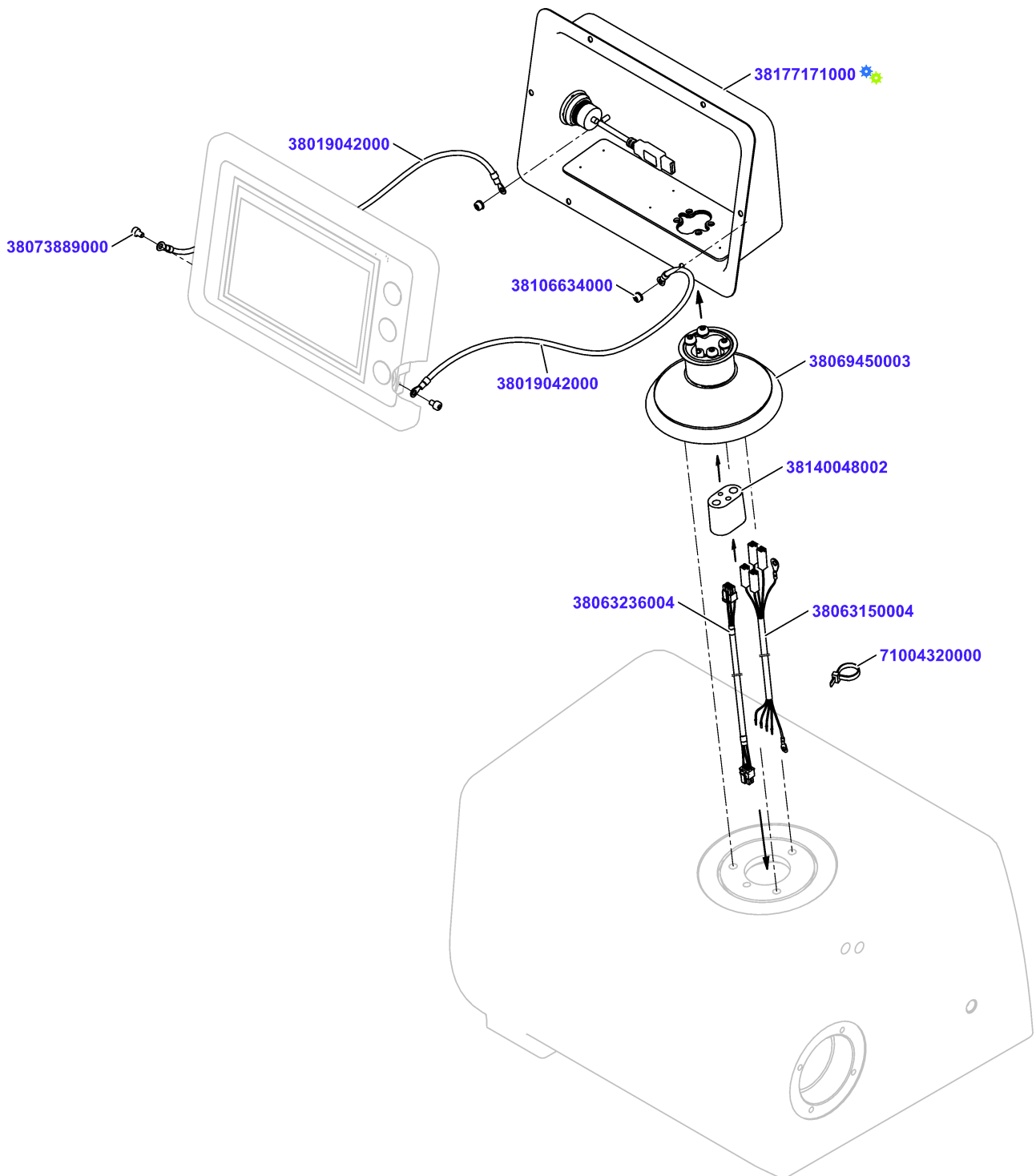
Terminal Mounting Kit bottom cpl



Terminal Mounting Kit bottom cpl

Material No.	Qty	Material description	available for order	Wear part	Recomm. sp. part	Metr. relevance
38068904003	1	Housing, display 260,4 x 161,3 x 80,3				
38057770003	1	Distance Piece				
50002060000	2	O-ring DIN3771 37,82x1,78 NBR				
38058484000	4	Hexagon screw DIN933 M5x55 A2-70				
95972950002	0,001	Loctite 243 50 ml 95972950002				
38066789001	1	USB-Socket RRJ USB 0.28m				
38014185002	1	Ka Rd 3x2x0,25 0,97m				
38057018000	1	Protective cap AK22RRSW				
38014178004	1	Ka Rd 5G0,5 1,25m				
71004320000	1	Cable Tie T40R 71004320000				
38140048002	1	Plug for 18x33				

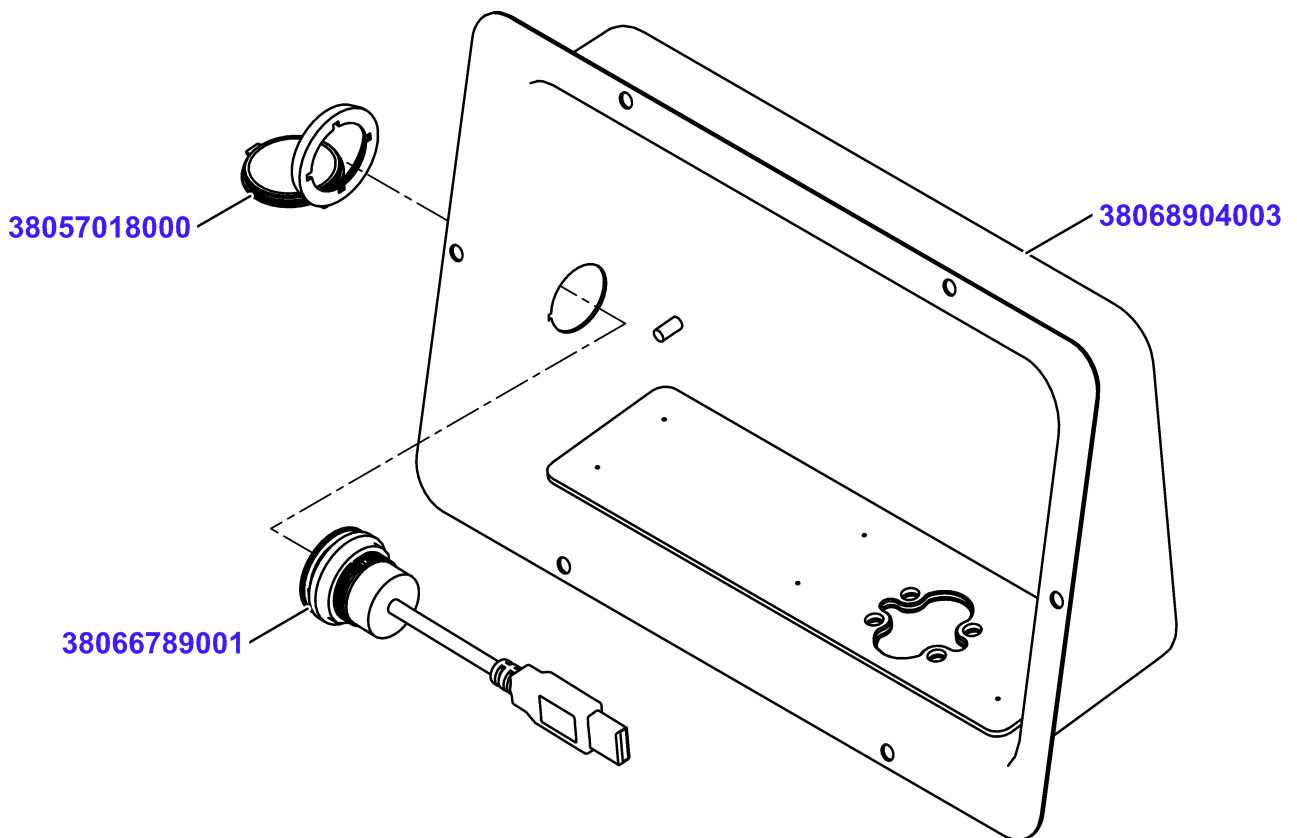
Terminal Mounting Kit top cpl.






Terminal Mounting Kit top cpl.

Material No.	Qty	Material description	available for order	Wear part	Recomm. sp. part	Metr. relevance
38177171000	1	Terminal Mounting Kit top preassy.				
38069450003	1	Mounting Kit top cpl	✓			
38073889000	2	Cylinder screw DIN912 M4x6-A2-70	✓			
38106634000	2	Lock Nut ISO 10511-M4-A4-70 38106634000	✓			
38063236004	1	Ka Rd 3x2x0,25 1,35m	✓			
38063150004	1	Ka Rd 5G0,5 1,65m	✓			
71004320000	1	Cable Tie T40R 71004320000	✓			
38140048002	1	Plug for 18x33	✓	✓		
38019042000	2	Ka Li BK 0,200m	✓			

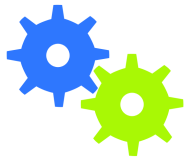
Terminal Mounting Kit top preassy.



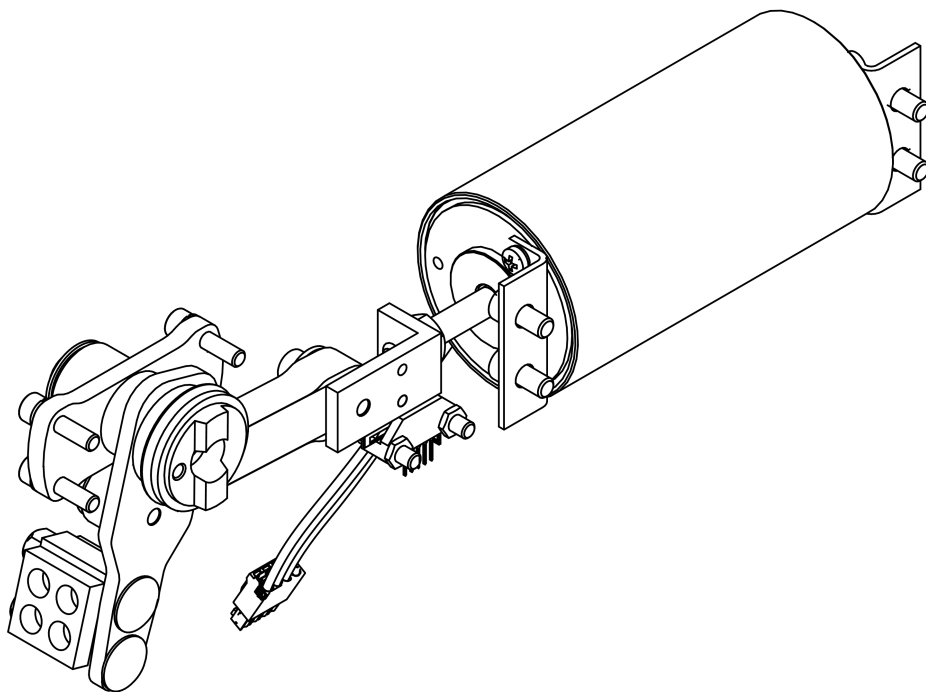
Terminal Mounting Kit top preassy.

Material No.	Qty	Material description	available for order	Wear part	Recomm. sp. part	Metr. relevance
38068904003	1	Housing, display 260,4 x 161,3 x 80,3				
38066789001	1	USB-Socket RRJ USB 0.28m				
38057018000	1	Protective cap AK22RRSW				

Drive depositing arm



38064681003



up to 11697370

Drive depositing arm

Material No.	Qty	Material description
--------------	-----	----------------------

38064681003	1	Depositing Drive cpl
-----------------------------	---	----------------------

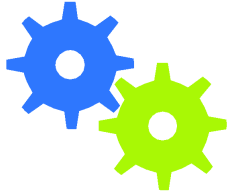
available for order

Wear part

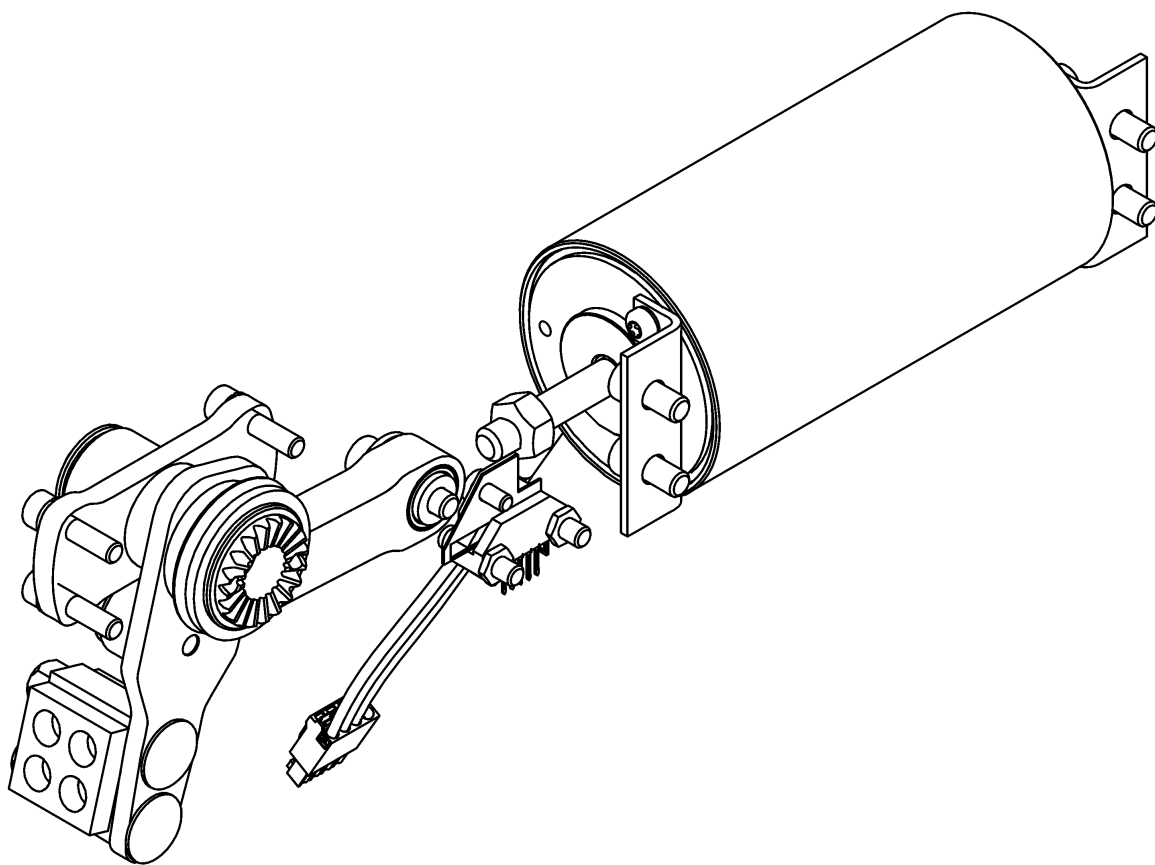
Recomm. sp. part

Metr. relevance

Drive depositing arm



38064681005



as from 11697371

Drive depositing arm

Material No.	Qty	Material description
--------------	-----	----------------------

38064681005	1	Depositing Drive cpl
-----------------------------	---	----------------------

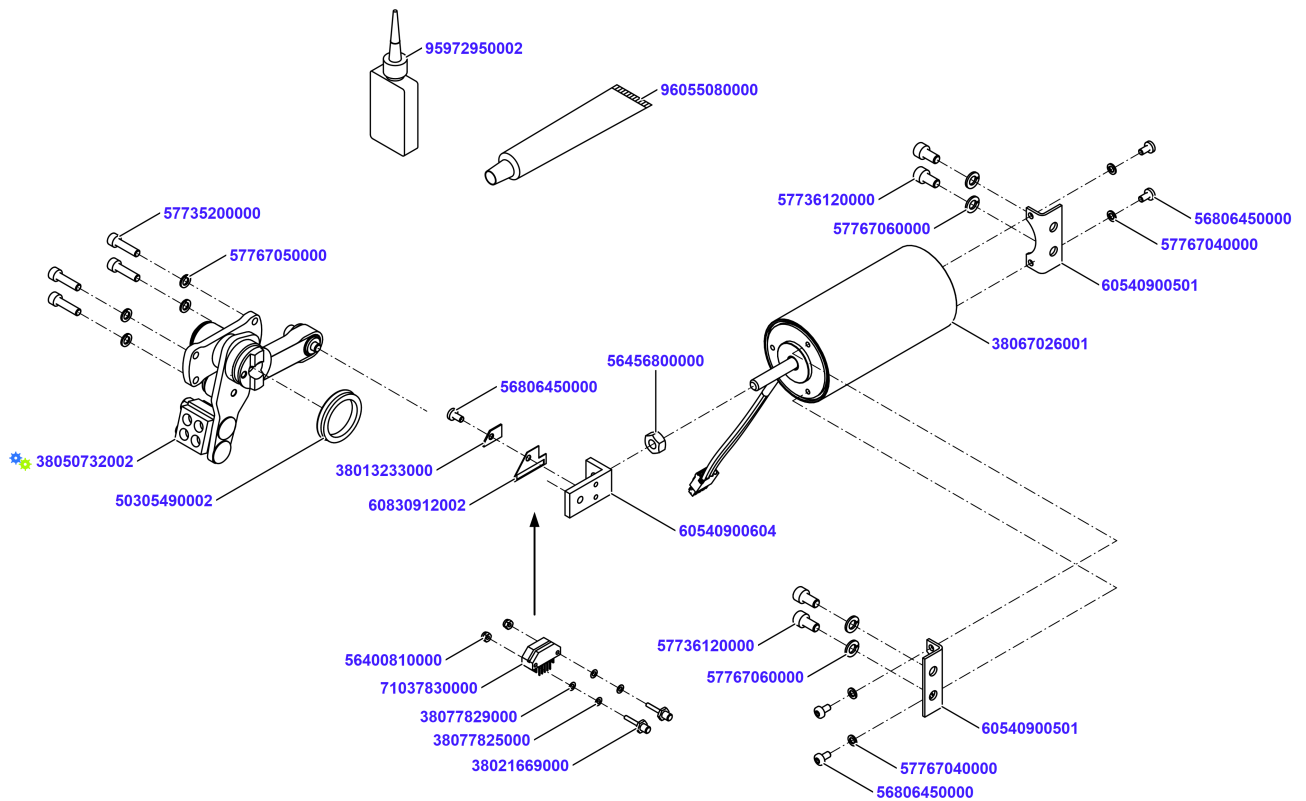
available for order

Wear part

Recomm. sp. part

Metr. relevance

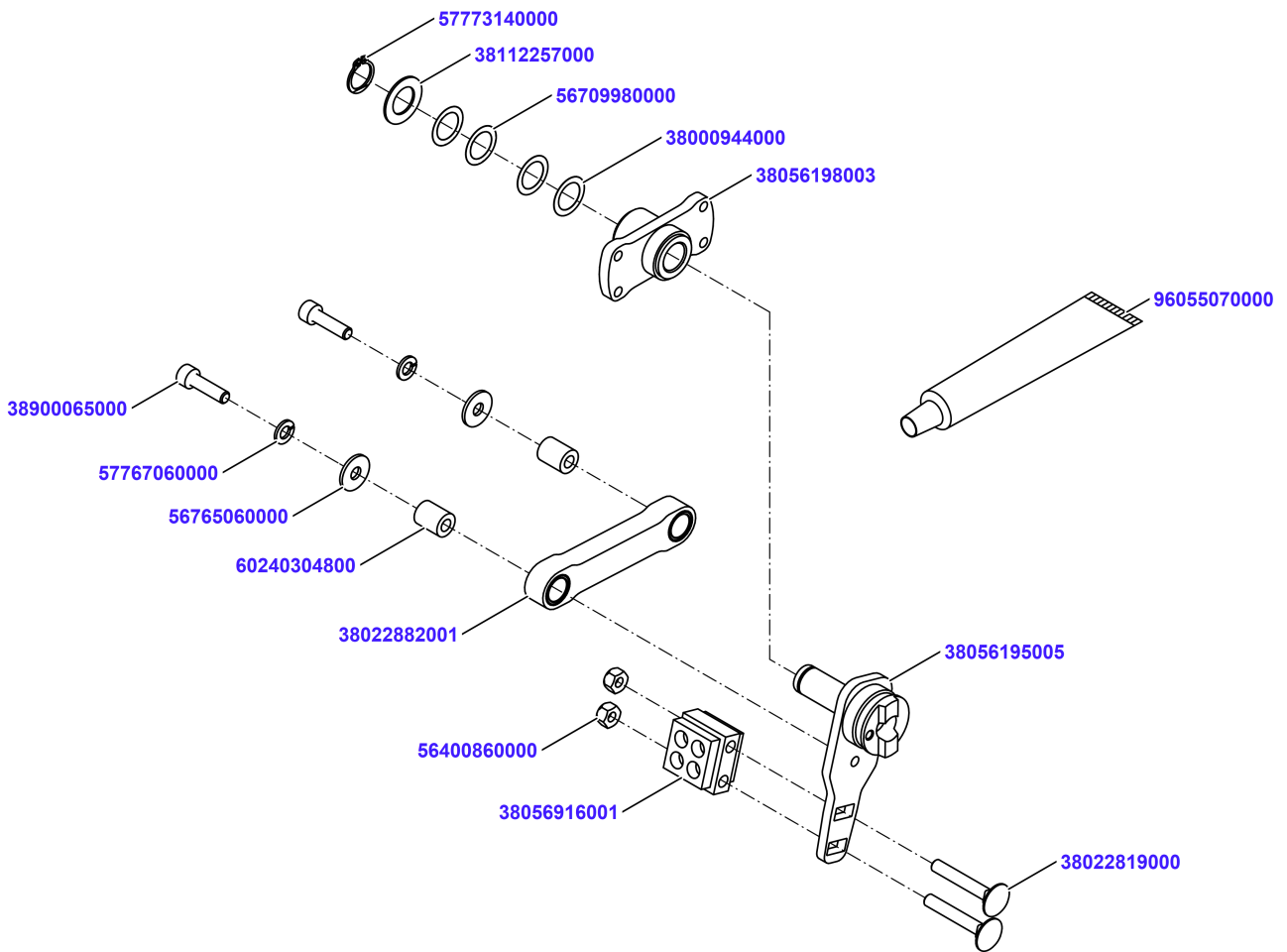
Depositing Drive cpl



Depositing Drive cpl

Material No.	Qty	Material description	available for order	Wear part	Recomm. sp. part	Metr. relevance
38067026001	1	Depositing Magnet	✓			
60540900501	2	holding bracket	✓			
56806450000	4	Oval-Head Screw ISO 14583-M4x8-T20-A2-70	✓			
57767040000	4	Spring lock washer DIN128-A4-FSt	✓			
57736120000	4	Socket Head Screw DIN 912-M6x12-8.8	✓			
57767060000	4	Spring lock washer DIN128-A6-FSt	✓			
56456800000	1	Hexagon Nut DIN 934-M8-A2-70	✓			
60540900604	1	Angle	✓			
38050732002	1	Depositing Arm Lever cpl	✓			
57735200000	4	Cylinder screw DIN912 M5x20-8.8	✓			
57767050000	4	Spring lock washer DIN128-A5-FSt	✓			
71037830000	1	Linear Increment Encoder HEDS 9200-300	✓		✓	
38021669000	2	Threaded flange bolt	✓			
95972950002	0,001	Loctite 243 50 ml 95972950002	✓			
56400810000	2	Lock nut DIN985-M2,5-St	✓			
38077829000	2	Shim ring DIN988-3x6x0,1	✓			
38077825000	2	Shim ring DIN988-3x6x0,2	✓			
60830912002	1	Codestrip 4x26	✓		✓	
56806450000	1	Oval-Head Screw ISO 14583-M4x8-T20-A2-70	✓			
38013233000	1	Support	✓			
50305490002	1	V-Sealing Ring 25x33x7,5 coated	✓			
96055080000	0,001	Kluebersynth UH1 64-62/25kg	✓			

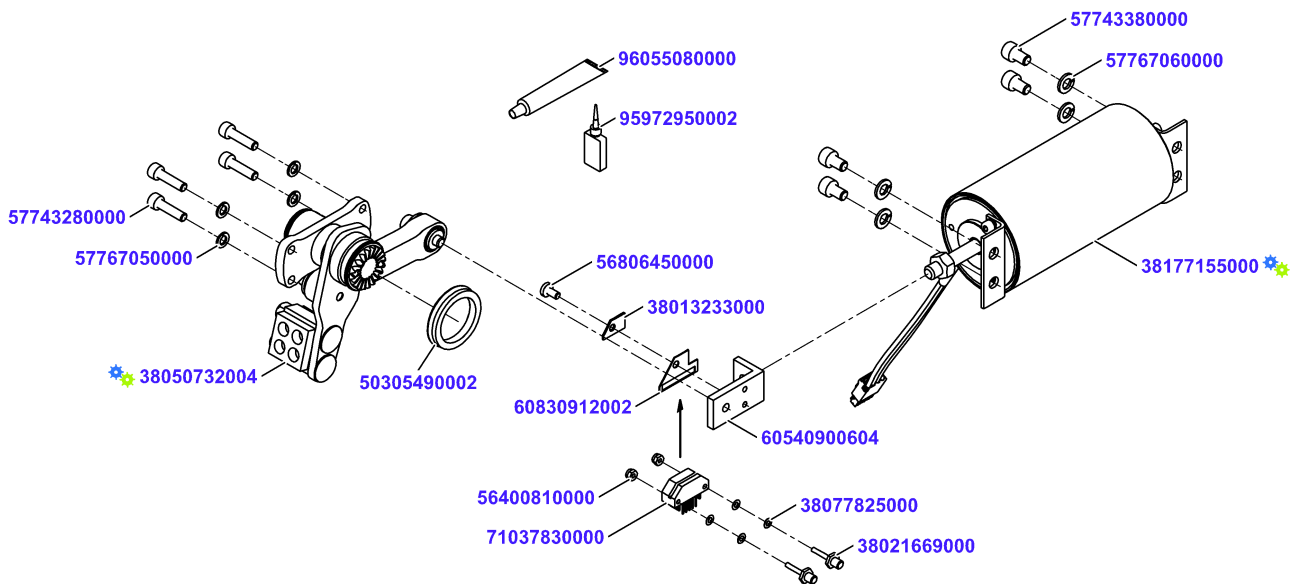
Depositing Arm Lever cpl



Depositing Arm Lever cpl

Material No.	Qty	Material description	available for order	Wear part	Recomm. sp. part	Metr. relevance
38056195005	1	Depositing Arm Lever soldered	✓			
38056198003	1	Bearing Bushing preass	✓	✓	✓	
96055070000	0,001	Grease PARALIQ GA 343	✓			
57773140000	1	Retaining ring DIN471-14x1	✓			
56709980000	2	Shim ring DIN988-14x20x0,1	✓			
38000944000	2	Shim ring DIN988-14x20x0,15	✓			
38112257000	1	Washer 14.15x24x1	✓			
38056916001	1	stop cpl	✓	✓	✓	
38022819000	2	Mushroom head bolt DIN603 M6x40-A2-70	✓			
56400860000	2	Locknut DIN 985-M6-A2-70 56400860000	✓			
38022882001	1	Connecting Rod preass	✓	✓	✓	
60240304800	2	Bushing 6,2 x 12f7 x 15	✓	✓	✓	
38900065000	2	Socket Head Screw DIN 912-M6x22-A2-70	✓			
57767060000	2	Spring lock washer DIN128-A6-FSt	✓			
56765060000	2	Washer DIN9021-6-A2	✓			

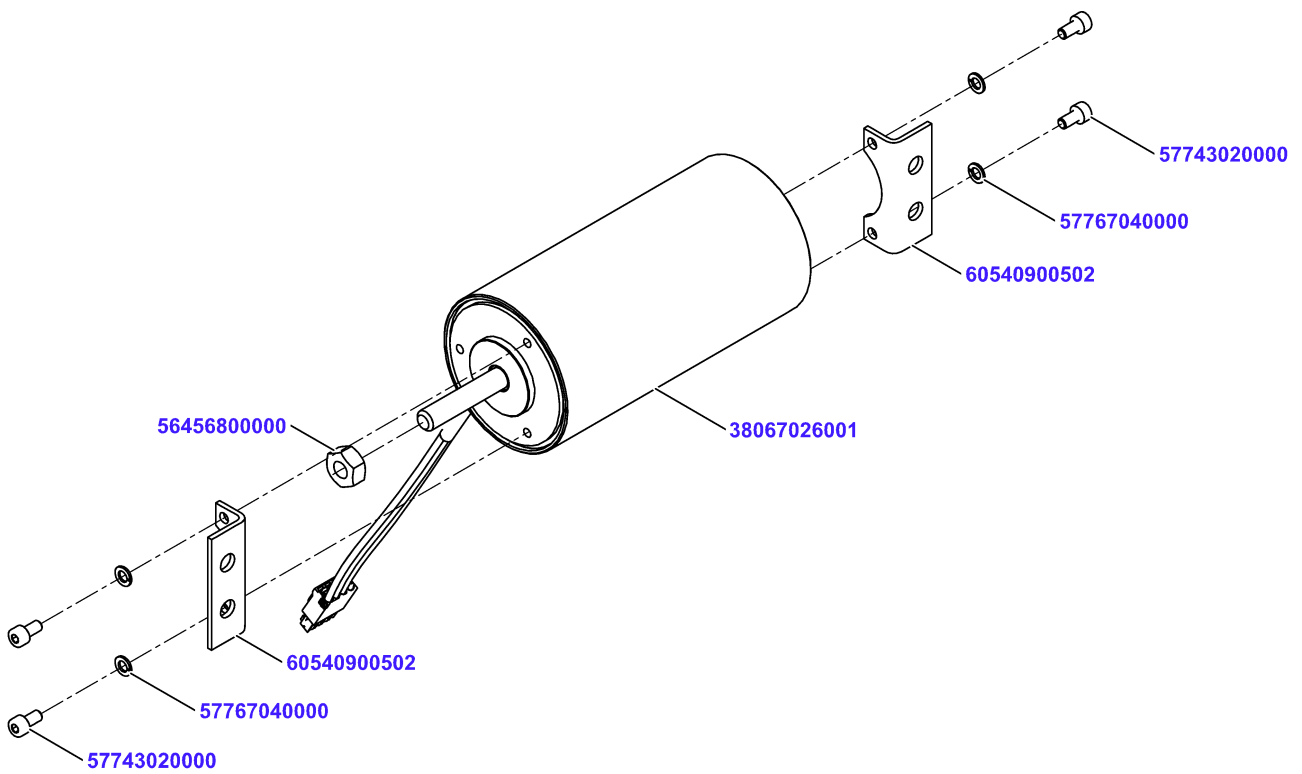
Depositing Drive cpl








Depositing Drive cpl

Material No.	Qty	Material description	available for order	Wear part	Recomm. sp. part	Metr. relevance
57743380000	4	Cylinder screw DIN912 M6x10-A2-70	✓			
57767060000	4	Spring lock washer DIN128-A6-FSt	✓			
38177155000	1	Depositing Magnet preassy.				
60540900604	1	Angle	✓			
38050732004	1	Depositing Arm Lever cpl.	✓			
57743280000	4	Cylinder screw DIN912 M5x20-A2-70	✓			
57767050000	4	Spring lock washer DIN128-A5-FSt	✓			
71037830000	1	Linear Increment Encoder HEDS 9200-300			✓	
38021669000	2	Threaded flange bolt	✓			
95972950002	0,001	Loctite 243 50 ml 95972950002	✓			
56400810000	2	Lock nut DIN985-M2,5-St	✓			
38077829000	2	Shim ring DIN988-3x6x0,1	✓			
38077825000	2	Shim ring DIN988-3x6x0,2	✓			
60830912002	1	Codestrip 4x26	✓		✓	
56806450000	1	Oval-Head Screw ISO 14583-M4x8-T20-A2-70	✓			
38013233000	1	Support	✓			
50305490002	1	V-Sealing Ring 25x33x7,5 coated	✓			
96055080000	0,001	Kluebersynth UH1 64-62/25kg	✓			

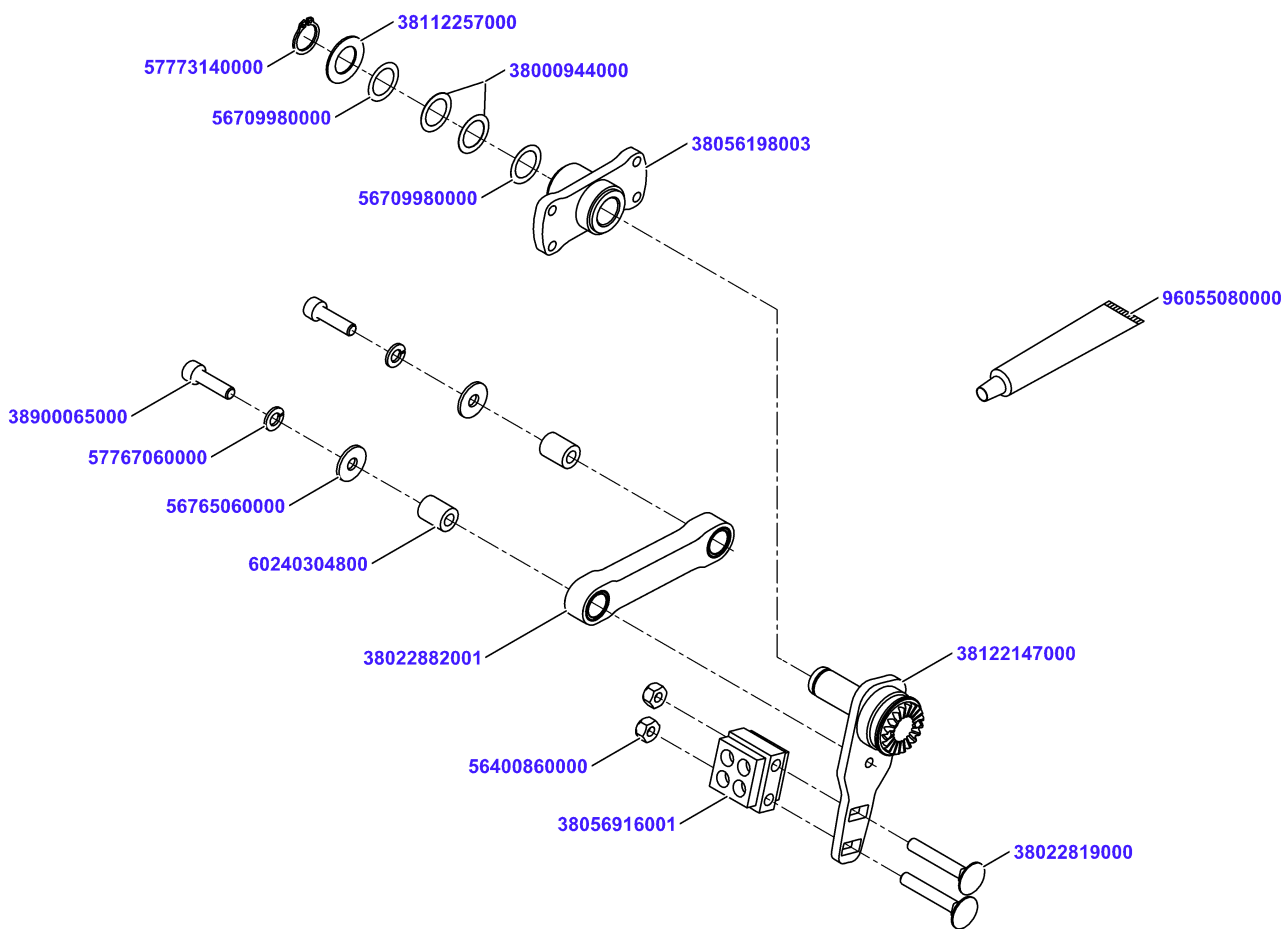
Depositing Magnet preassy.



Depositing Magnet preassy.

Material No.	Qty	Material description	available for order	Wear part	Recomm. sp. part	Metr. relevance
38067026001	1	Depositing Magnet				
60540900502	2	Holding bracket 48x15x19x2				
57767040000	4	Spring lock washer DIN128-A4-FSt				
57743020000	4	Socket Head Screw DIN 912-M4x8-A2-70				
56456800000	1	Hexagon Nut DIN 934-M8-A2-70				

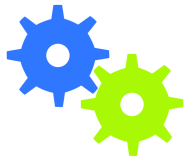
Depositing Arm Lever cpl.



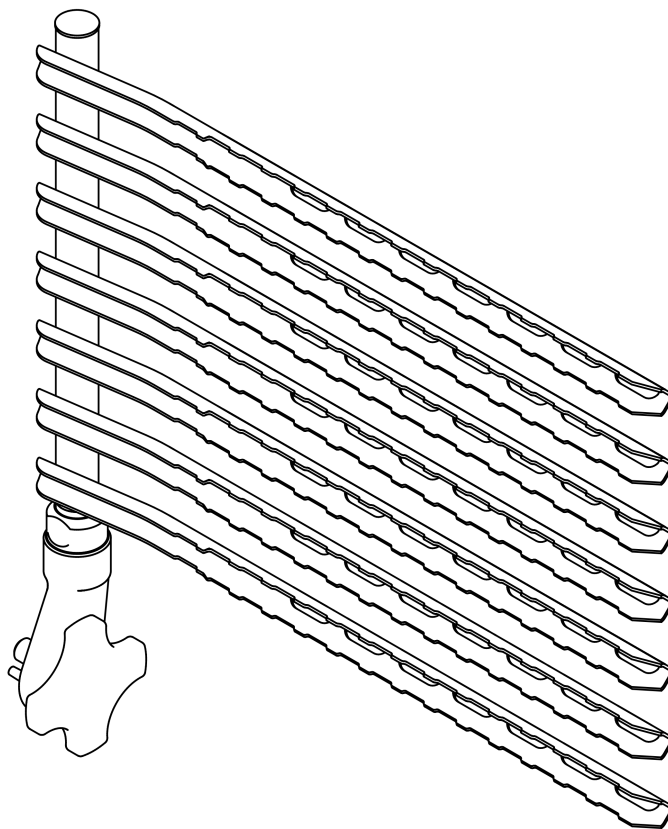
Depositing Arm Lever cpl.

Material No.	Qty	Material description	available for order	Wear part	Recomm. sp. part	Metr. relevance
38122147000	1	Depositing Arm Lever soldered	✓			
38056198003	1	Bearing Bushing preass	✓		✓	
96055080000	0,001	Kluebersynth UH1 64-62/25kg	✓			
57773140000	1	Retaining ring DIN471-14x1	✓			
56709980000	2	Shim ring DIN988-14x20x0,1	✓			
38000944000	2	Shim ring DIN988-14x20x0,15	✓			
38112257000	1	Washer 14.15x24x1	✓			
38056916001	1	stop cpl	✓		✓	
38022819000	2	Mushroom head bolt DIN603 M6x40-A2-70	✓			
56400860000	2	Locknut DIN 985-M6-A2-70 56400860000	✓			
38022882001	1	Connecting Rod preass	✓		✓	
60240304800	2	Bushing 6,2 x 12f7 x 15	✓		✓	
38900065000	2	Socket Head Screw DIN 912-M6x22-A2-70	✓			
57767060000	2	Spring lock washer DIN128-A6-FSt	✓			
56765060000	2	Washer DIN9021-6-A2	✓			

Depositing arm



38056697003



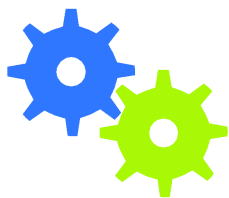
up to 11697370

Depositing arm

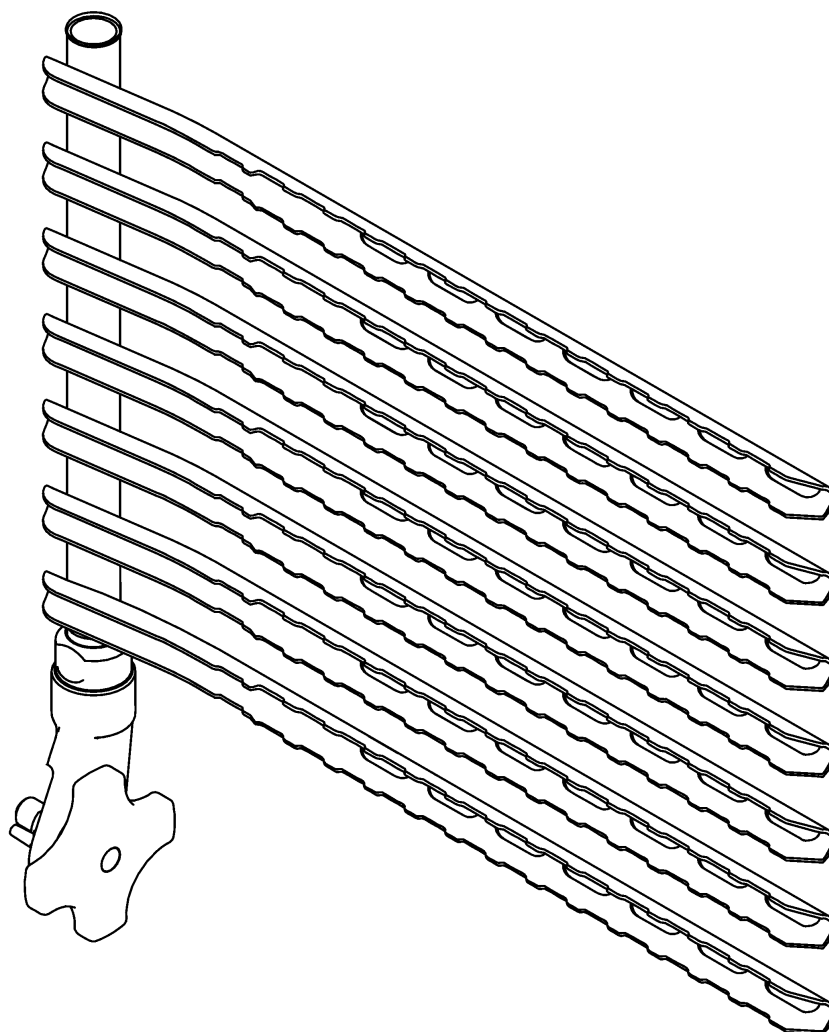
available for order
Wear part
Recomm. sp. part
Metr. relevance

Material No.	Qty	Material description
38056697003	1	Depositing Arm cpl

Depositing arm



38056697005



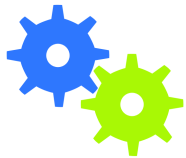
as from 11697371

Depositing arm

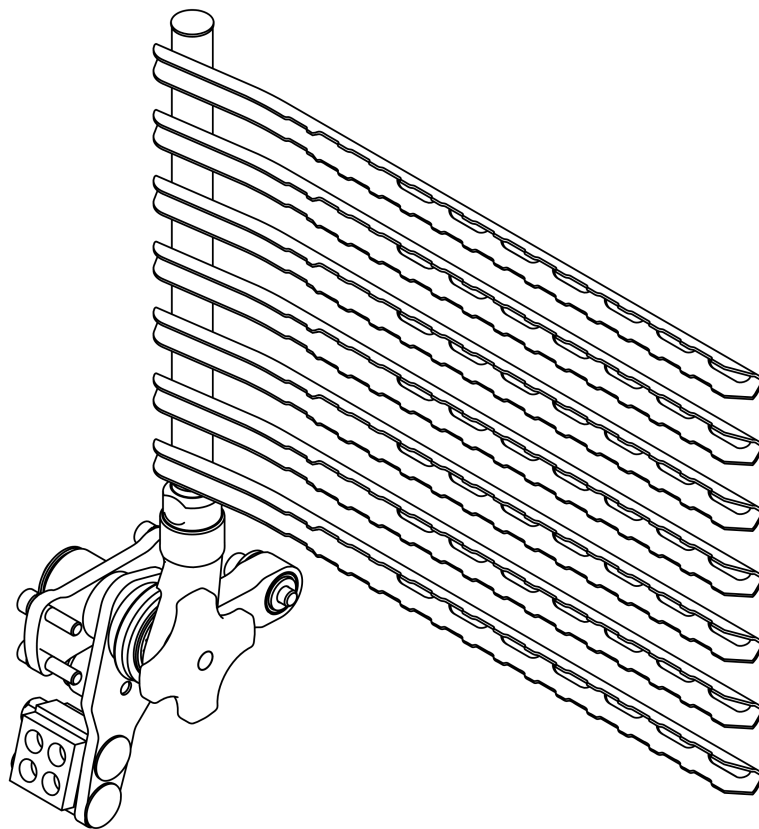
available for order
Wear part
Recomm. sp. part
Metr. relevance

Material No.	Qty	Material description
38056697005	1	Depositing arm cpl

Depositing arm




38128023000



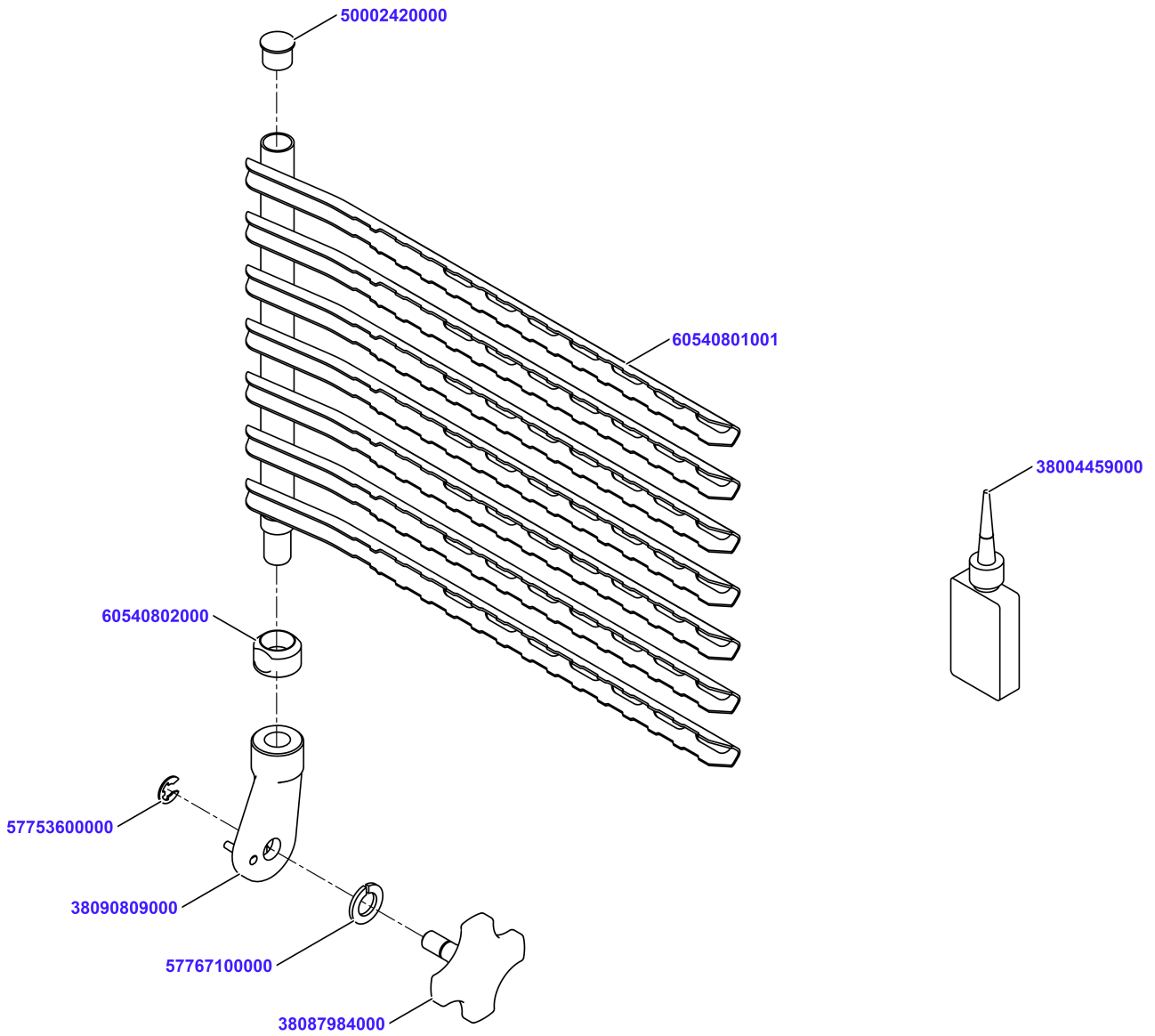
as from 11697371

Depositing arm









Material No.	Qty	Material description
38128023000	1	Service kit VSI- connect. depositing arm

	available for order
	Wear part
	Recomm. sp. part
	Metr. relevance

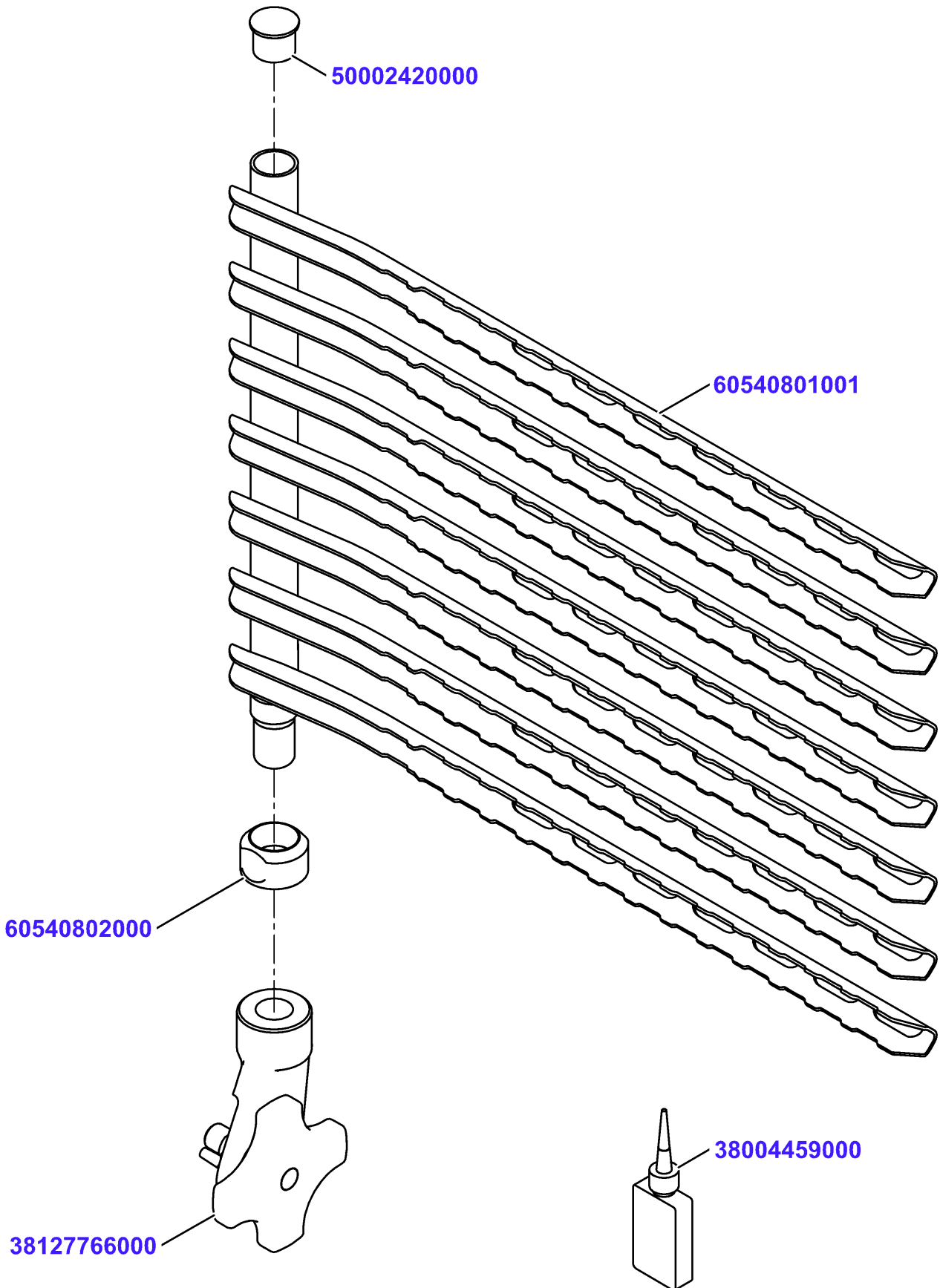
Depositing Arm cpl



Depositing Arm cpl

Material No.	Qty	Material description	available for order	Wear part	Recomm. sp. part	Metr. relevance
38090809000	1	Depositing angle preass				
60540801001	1	depositing arm standard welded				
50002420000	1	Protective plug 14,5x12,4x9,5-PE				
60540802000	1	locknut				
38004459000	0,001	Loctite 648				
38087984000	1	Bolt				
57767100000	1	Spring lock washer DIN128-A10-FSt				
57753600000	1	Retaining washer DIN6799-6				

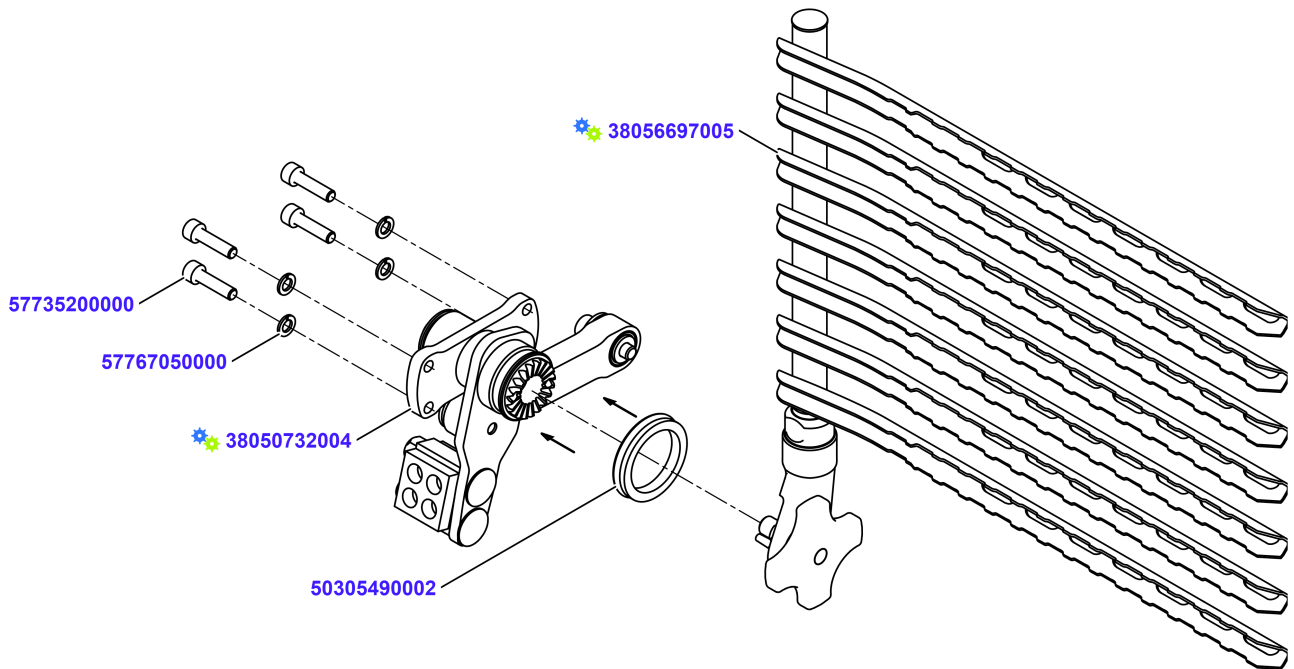
Depositing arm cpl








Depositing arm cpl

Material No.	Qty	Material description	available for order	Wear part	Recomm. sp. part	Metr. relevance
38127766000	1	Depositing Angle cpl.				
60540801001	1	depositing arm standard welded				
50002420000	1	Protective plug 14,5x12,4x9,5-PE				
60540802000	1	locknut				
38004459000	0,001	Loctite 648				

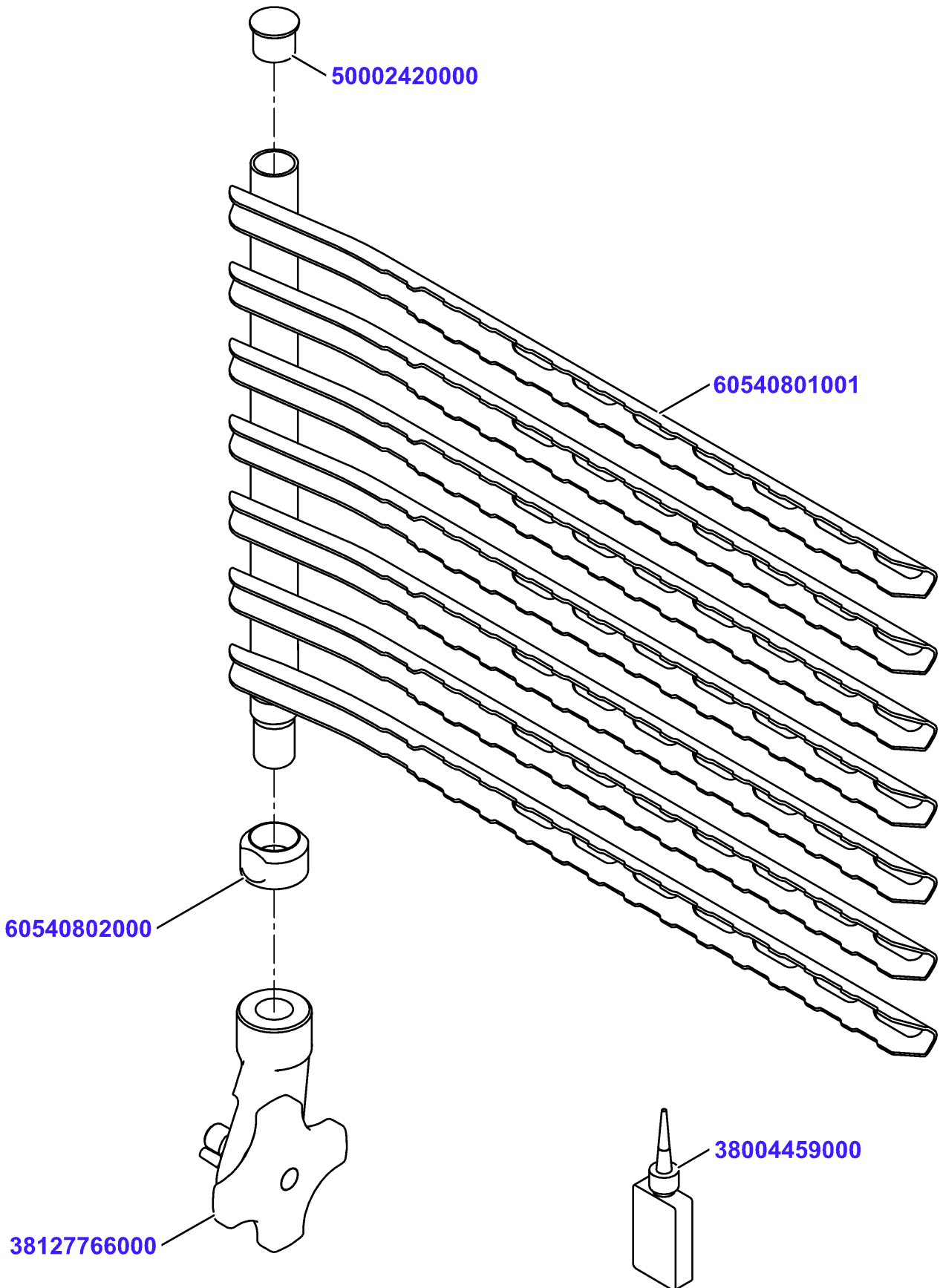
Service kit VSI- connect. depositing arm



Service kit VSI- connect. depositing arm

Material No.	Qty	Material description	available for order	Wear part	Recomm. sp. part	Metr. relevance
38056697005	1	Depositing arm cpl				
57735200000	4	Cylinder screw DIN912 M5x20-8.8				
57767050000	4	Spring lock washer DIN128-A5-FSt				
38050732004	1	Depositing Arm Lever cpl.				
50305490002	1	V-Sealing Ring 25x33x7,5 coated				

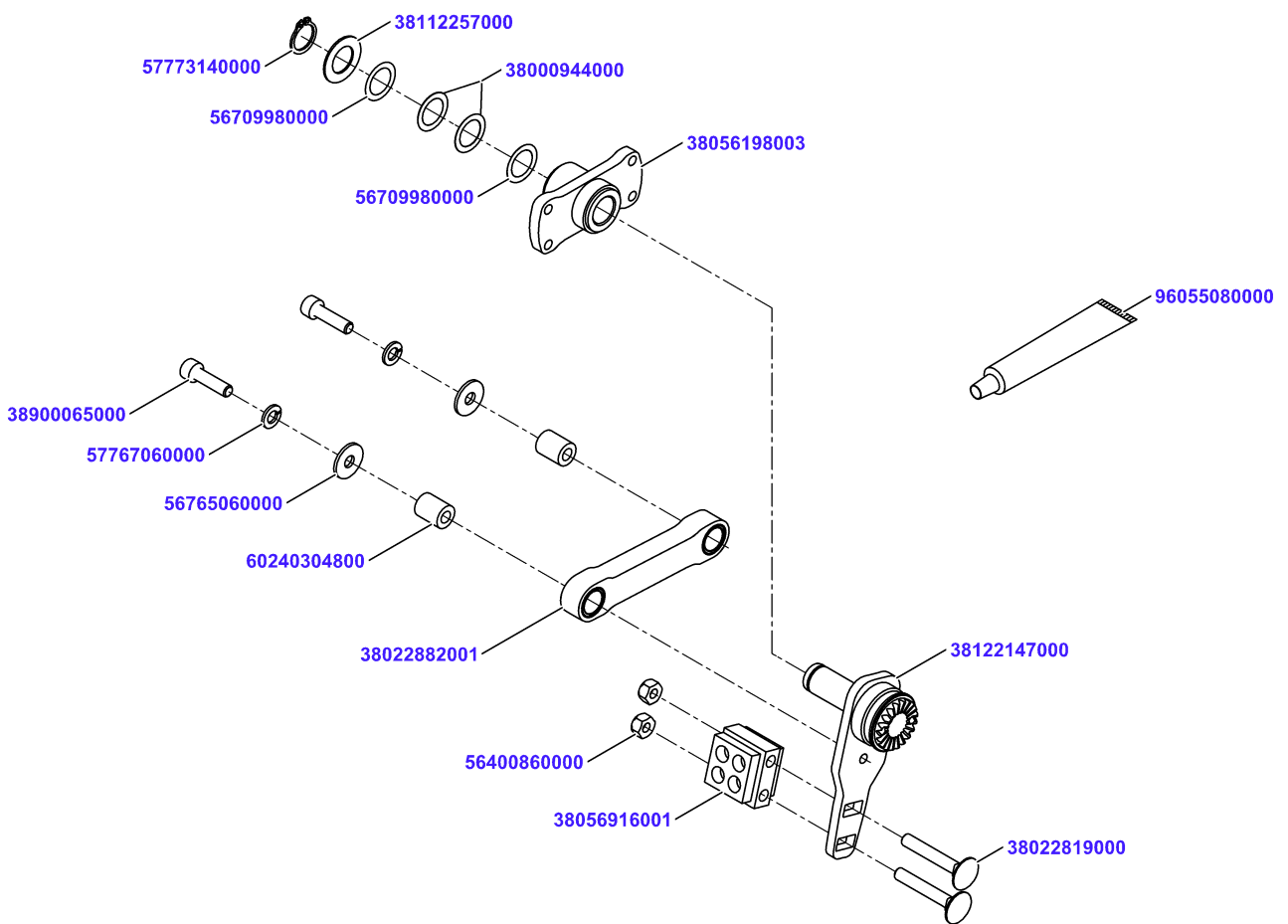
Depositing arm cpl



Depositing arm cpl

Material No.	Qty	Material description	available for order	Wear part	Recomm. sp. part	Metr. relevance
38127766000	1	Depositing Angle cpl.				
60540801001	1	depositing arm standard welded				
50002420000	1	Protective plug 14,5x12,4x9,5-PE				
60540802000	1	locknut				
38004459000	0,001	Loctite 648				

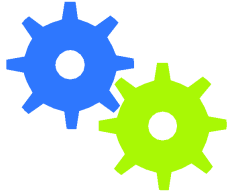
Depositing Arm Lever cpl.



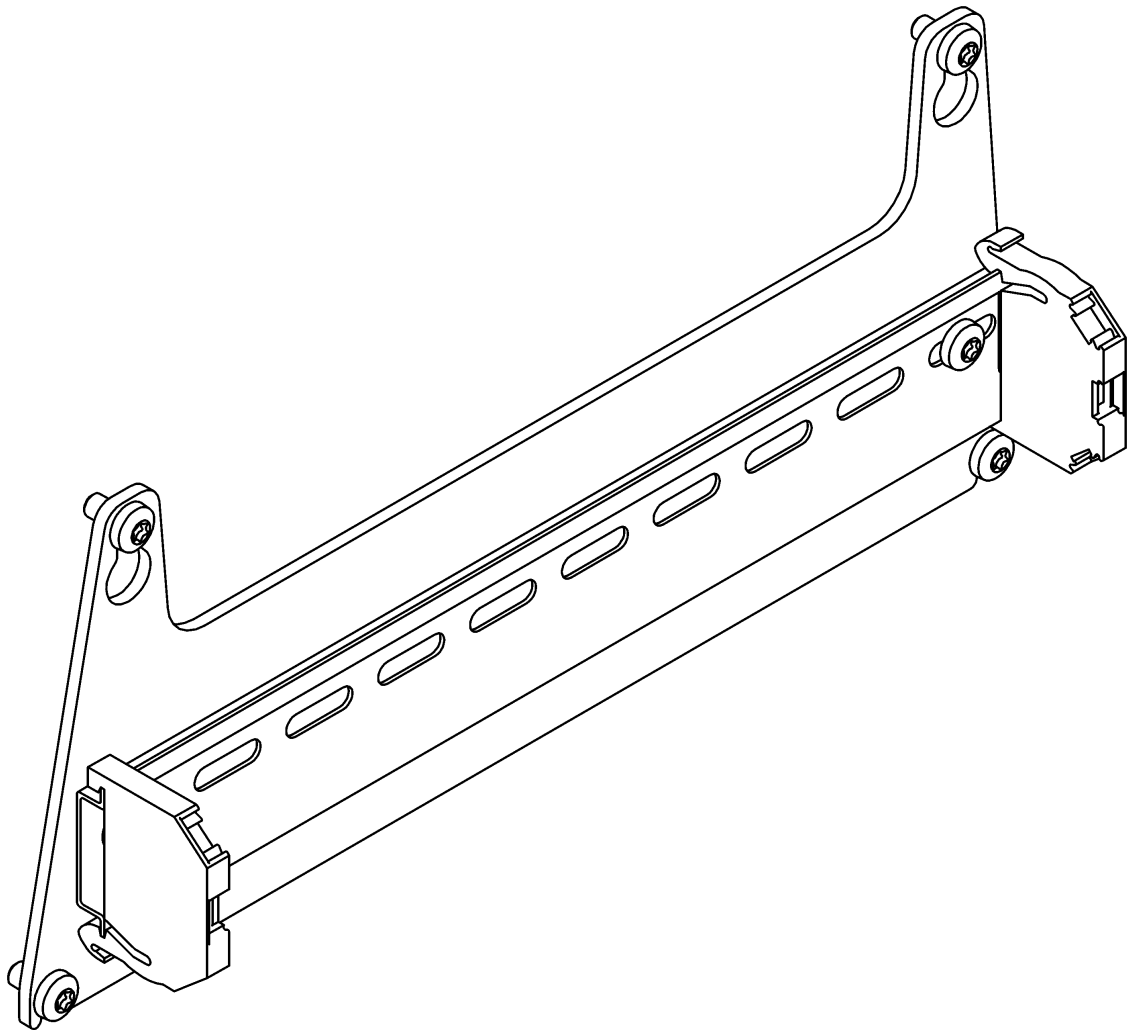
Depositing Arm Lever cpl.

Material No.	Qty	Material description	available for order	Wear part	Recomm. sp. part	Metr. relevance
38122147000	1	Depositing Arm Lever soldered	✓			
38056198003	1	Bearing Bushing preass	✓	✓	✓	
96055080000	0,001	Kluebersynth UH1 64-62/25kg	✓			
57773140000	1	Retaining ring DIN471-14x1	✓			
56709980000	2	Shim ring DIN988-14x20x0,1	✓			
38000944000	2	Shim ring DIN988-14x20x0,15	✓			
38112257000	1	Washer 14.15x24x1	✓			
38056916001	1	stop cpl	✓	✓	✓	
38022819000	2	Mushroom head bolt DIN603 M6x40-A2-70	✓			
56400860000	2	Locknut DIN 985-M6-A2-70 56400860000	✓			
38022882001	1	Connecting Rod preass	✓	✓	✓	
60240304800	2	Bushing 6,2 x 12f7 x 15	✓	✓	✓	
38900065000	2	Socket Head Screw DIN 912-M6x22-A2-70	✓			
57767060000	2	Spring lock washer DIN128-A6-FSt	✓			
56765060000	2	Washer DIN9021-6-A2	✓			

Electronics



38008889001



Electronics

Material No. **Qty** **Material description**

[38008889001](#) 1 Mounting Plate cpl

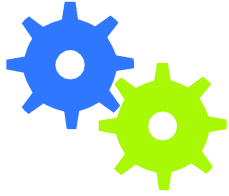
available for order

Wear part

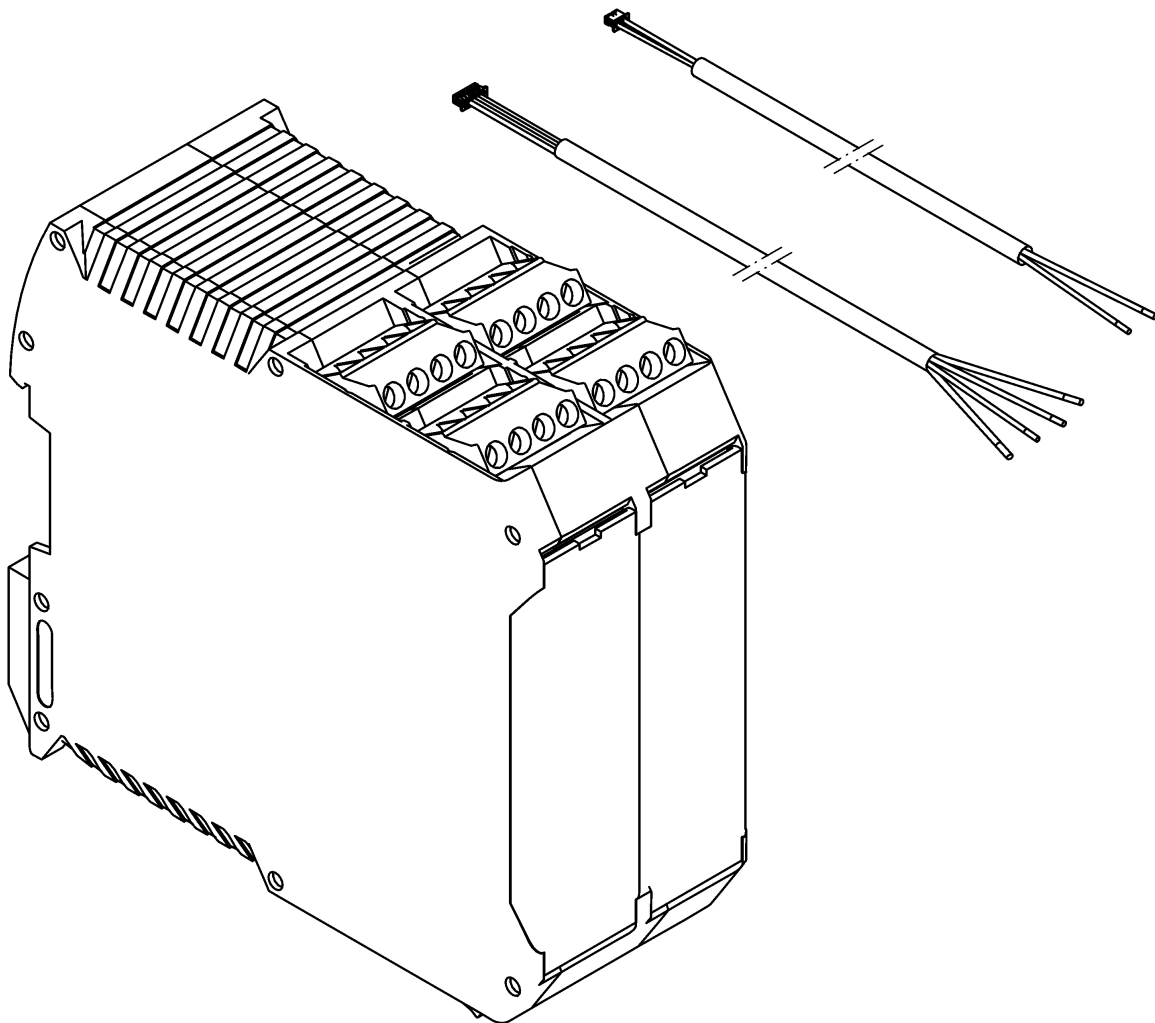
Recomm. sp. part

Metr. relevance

Electronics



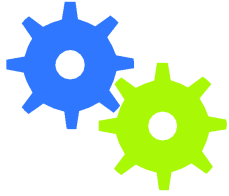
38023910001



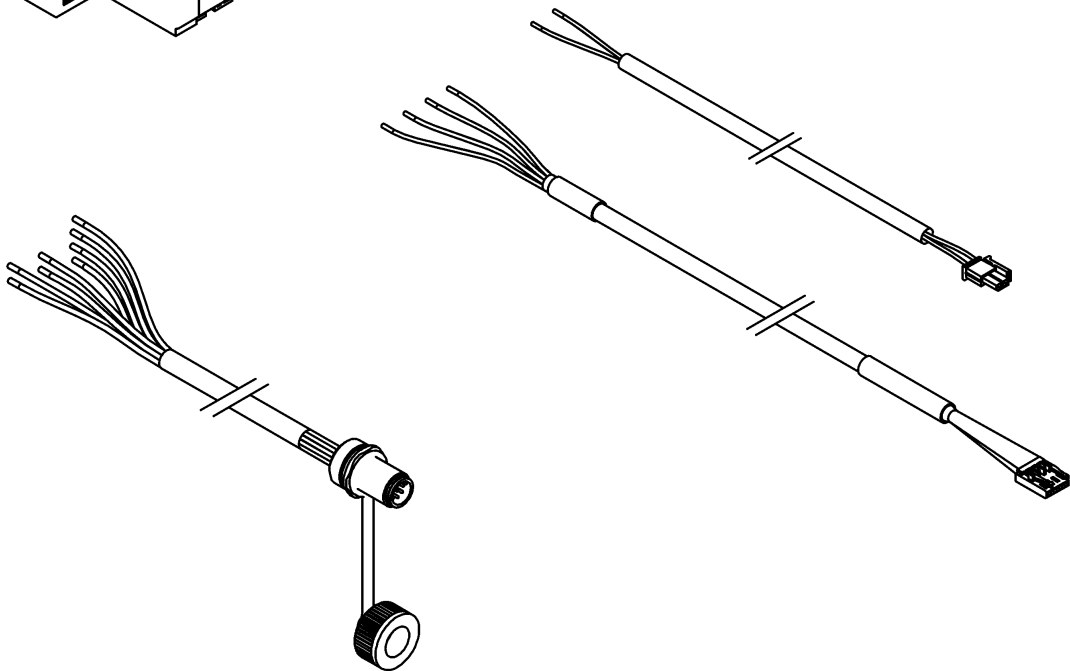
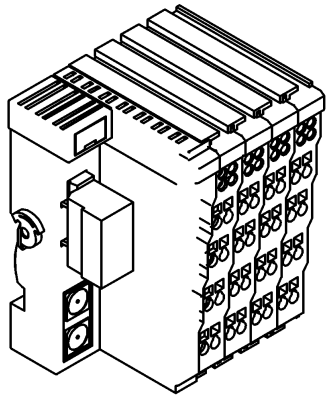
Electronics

Material No.	Qty	Material description	available for order	Wear part	Recomm. sp. part	Metr. relevance
38023910001	1	Option Scale Terminal bottom cpl				

Electronics



38079967000



Electronics

Material No. **Qty** **Material description**

[38079967000](#) 1 Option I/O-Module

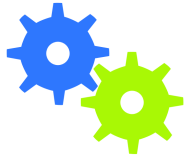
available for order

Wear part

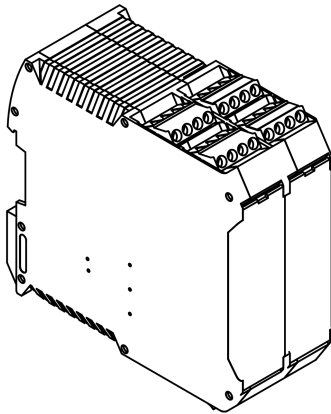
Recomm. sp. part

Metr. relevance

Electronics



38084720000



Electronics

Material No.	Qty	Material description
38084720000	1	Option Scale Terminal top cpl

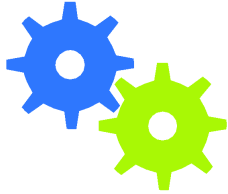
available for order

Wear part

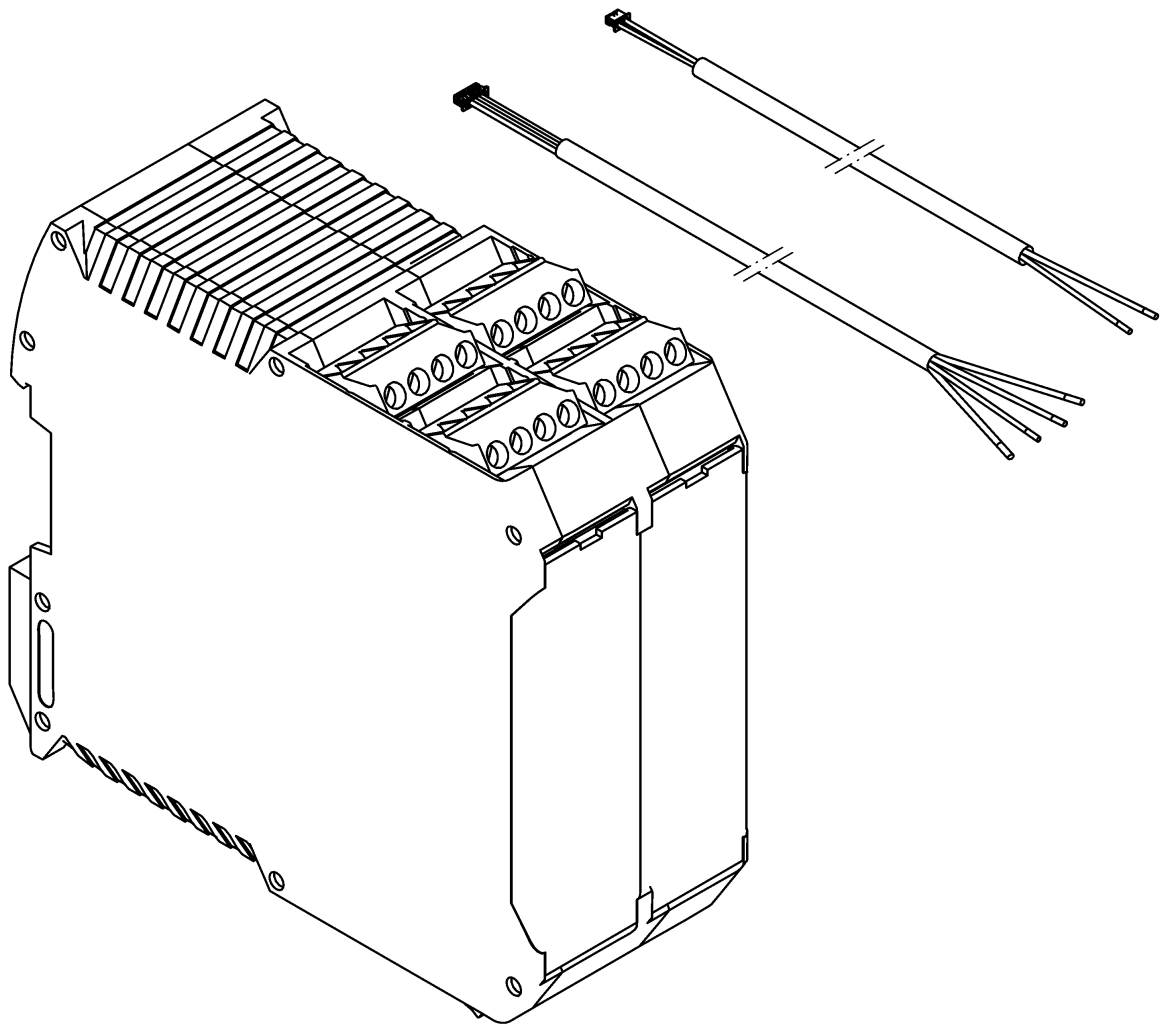
Recomm. sp. part

Metr. relevance

Electronics



38084720001

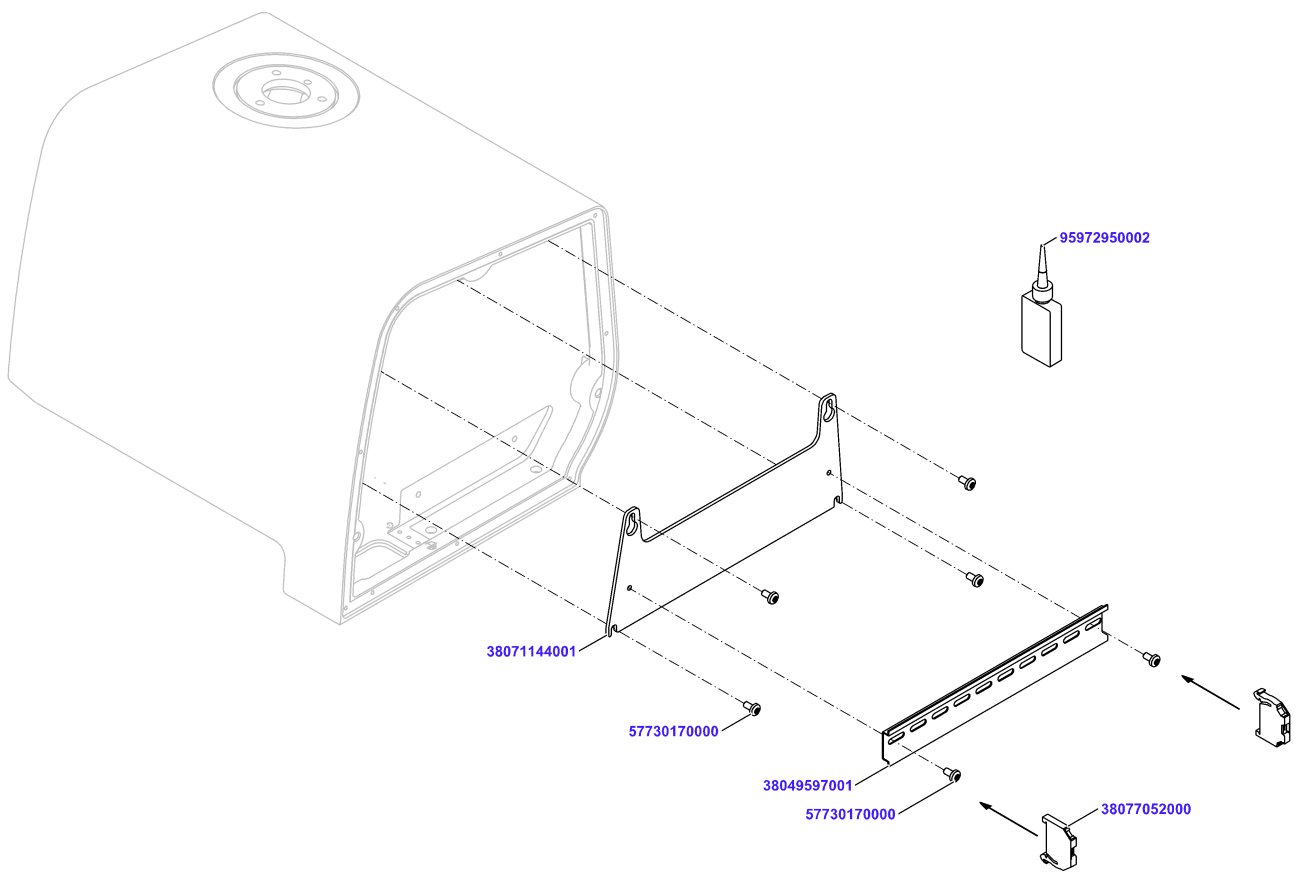


Electronics

available for order
Wear part
Recomm. sp. part
Metr. relevance

Material No.	Qty	Material description
38084720001	1	Option Scale Terminal top cpl

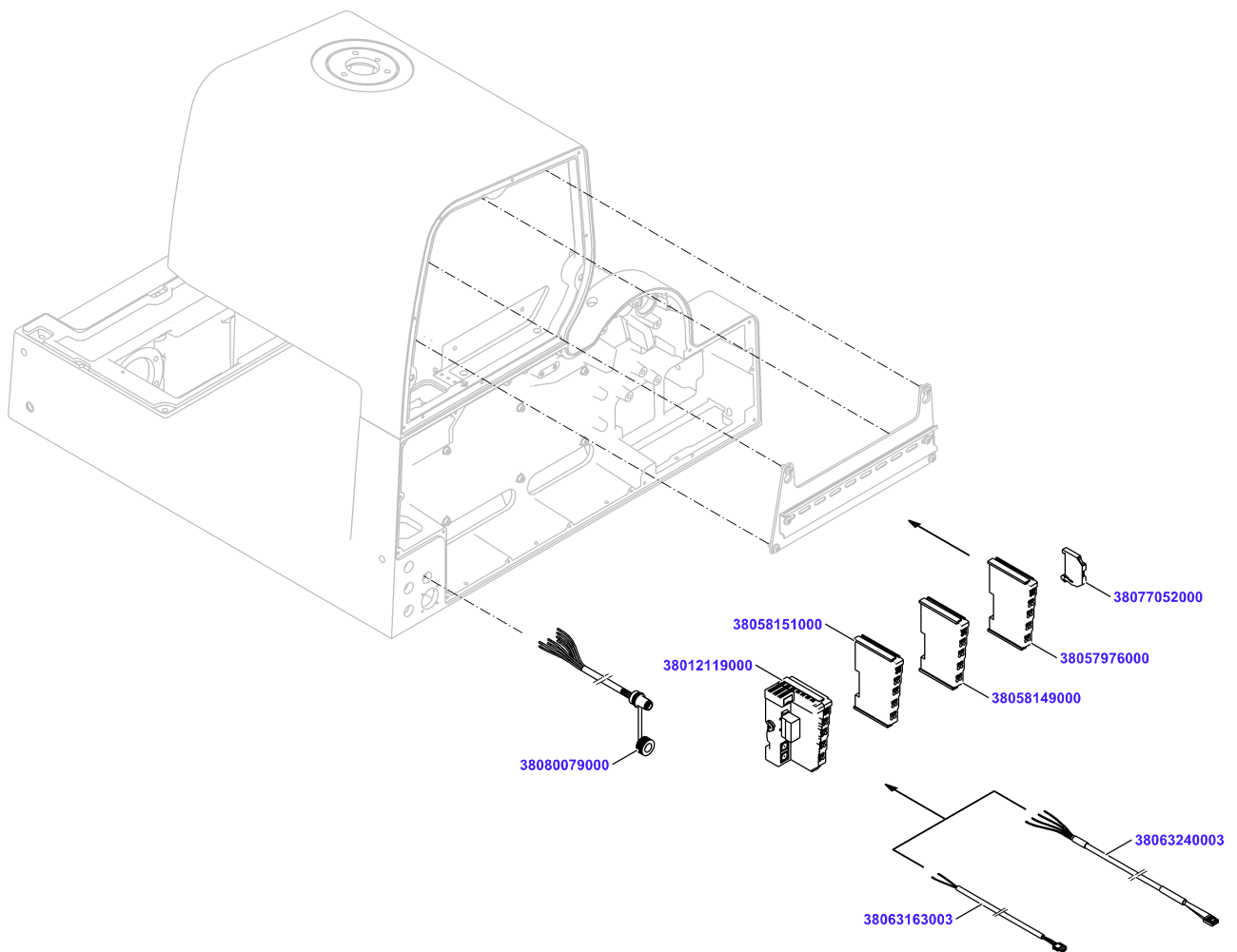
Mounting Plate cpl



Mounting Plate cpl

Material No.	Qty	Material description	available for order	Wear part	Recomm. sp. part	Metr. relevance
38071144001	1	Mounting Plate				
38049597001	1	Top Hat Rail L250				
57730170000	2	Oval-head Screw ISO14583 M5x10-A2-70-T25				
95972950002	0,001	Loctite 243 50 ml 95972950002				
38077052000	2	Screwless End Clamp				
57730170000	4	Oval-head Screw ISO14583 M5x10-A2-70-T25				

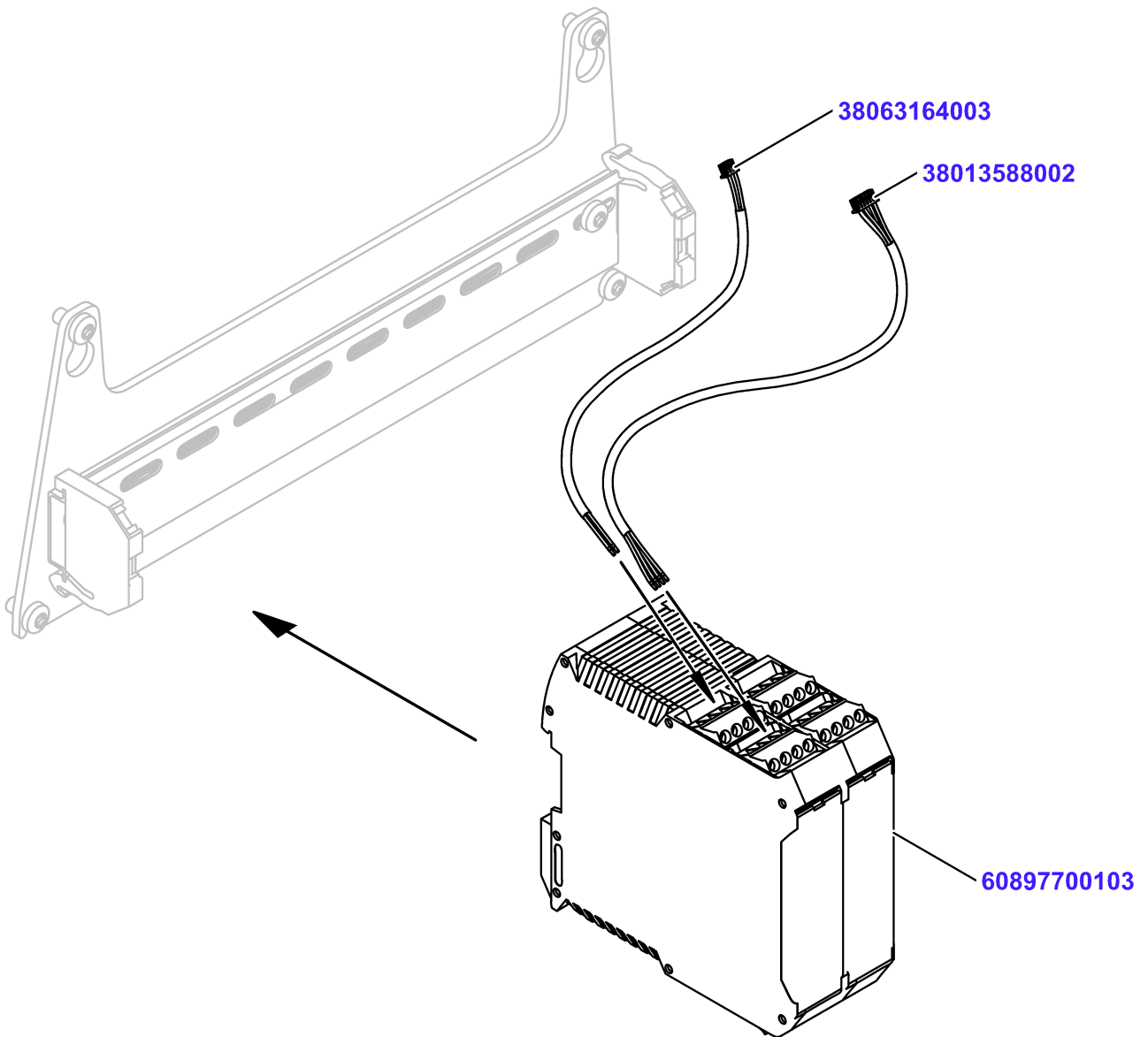
Option I/O-Module



Option I/O-Module

Material No.	Qty	Material description	available for order	Wear part	Recomm. sp. part	Metr. relevance
38012119000	1	CANopen-Compact-Bus-Coupler BK5150	✓		✓	
38058151000	1	2-Channel Digital Input Terminals 24VDC	✓		✓	
38058149000	1	2-Channel Digital Output Terminal 24VDC	✓		✓	
38057976000	1	K-Bus Termination Fitting KL9010	✓		✓	
38077052000	1	Screwless End Clamp	✓			
38063240003	1	Ka Rd 2x2x24AWG 0,15m	✓			
38063163003	1	Ka Rd 4x0,14 1,30m	✓			
38080079000	1	I/O M12 Connector	✓			

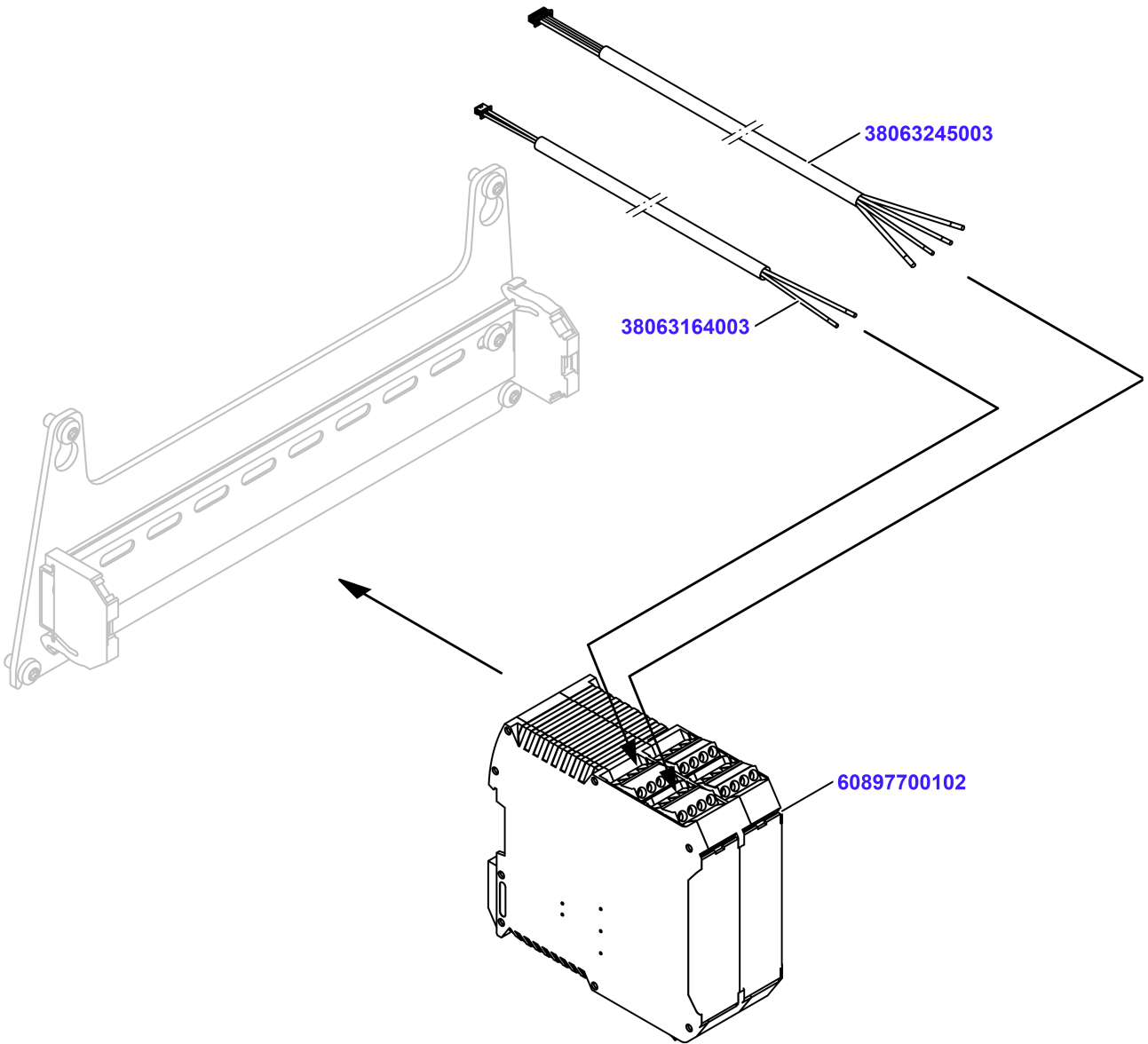
Option Scale Terminal bottom cpl



Option Scale Terminal bottom cpl

Material No.	Qty	Material description	available for order	Wear part	Recomm. sp. part	Metr. relevance
60897700103	1	Weighing module Food	✓			
38063164003	1	Ka Rd 4x0,14 1,15m	✓			
38013588002	1	Ka Rd 4x0,14qmm 1,65m	✓			

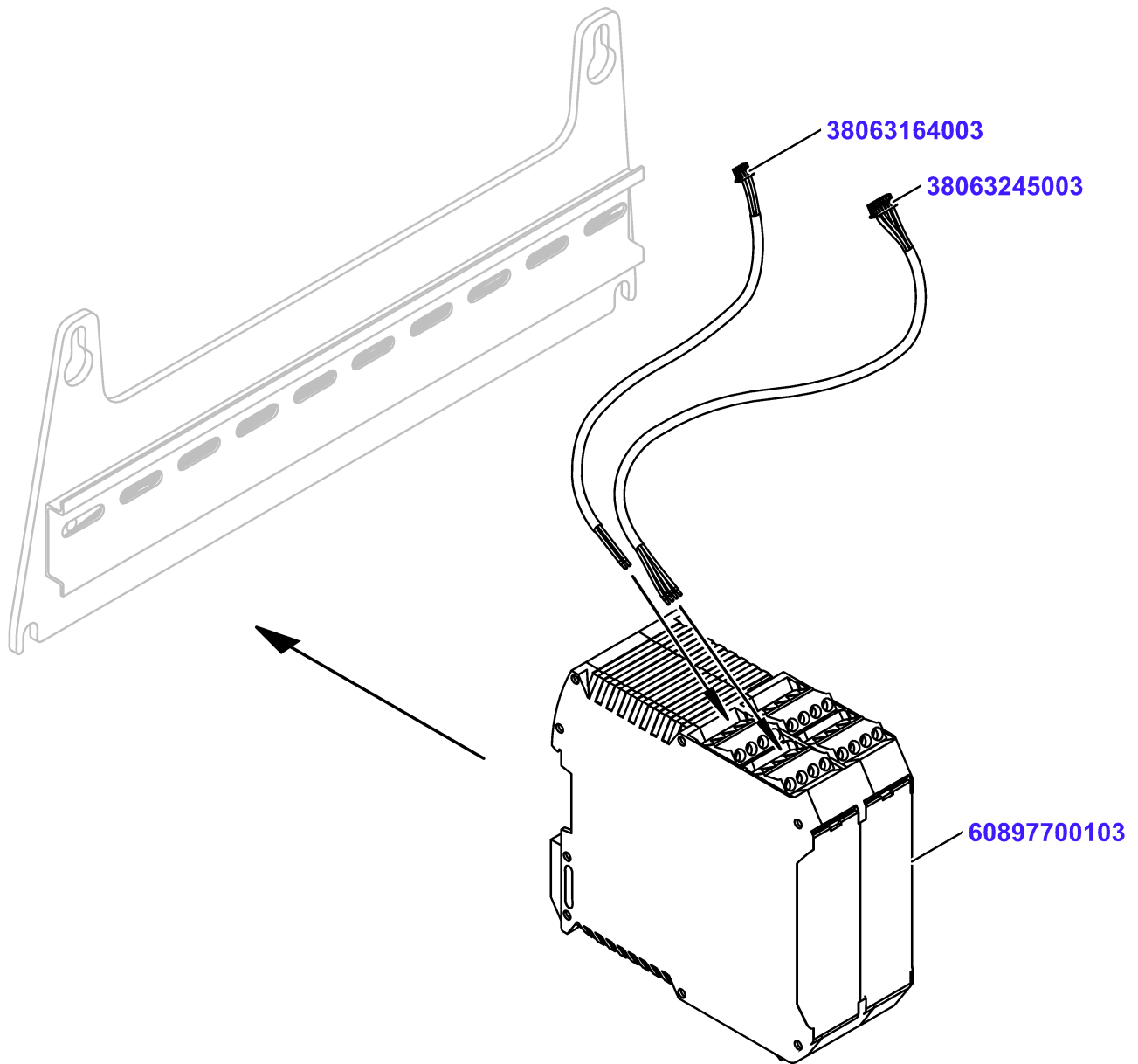
Option Scale Terminal top cpl






Option Scale Terminal top cpl

Material No.	Qty	Material description	available for order	Wear part	Recomm. sp. part	Metr. relevance
60897700102	1	Weighing module Food				
38063164003	1	Ka Rd 4x0,14 1,15m				
38063245003	1	Ka Rd 4x0,14qmm 0,70m				

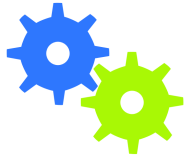
Option Scale Terminal top cpl



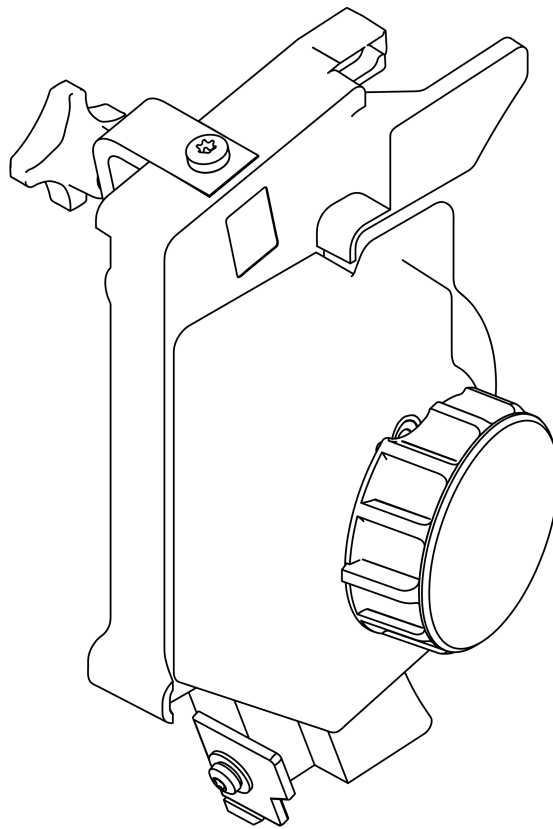
Option Scale Terminal top cpl

Material No.	Qty	Material description	available for order	Wear part	Recomm. sp. part	Metr. relevance
60897700103	1	Weighing module Food				
38063164003	1	Ka Rd 4x0,14 1,15m				
38063245003	1	Ka Rd 4x0,14qmm 0,70m				

Grinding device




38064573002

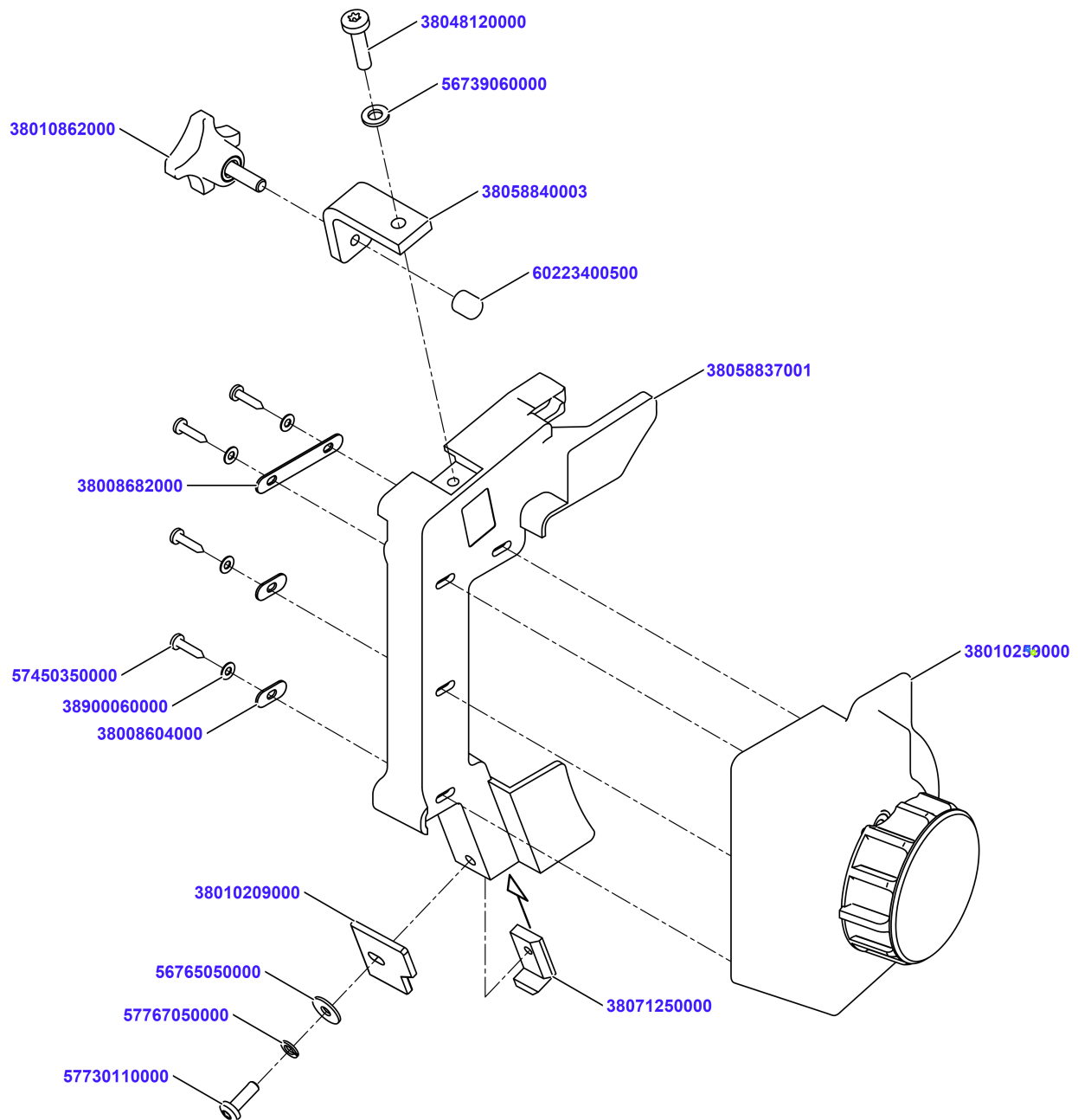


Grinding device

















Material No.	Qty	Material description
38064573002	1	Grinder VSI 330 cpl.

	available for order
	Wear part
	Recomm. sp. part
	Metr. relevance

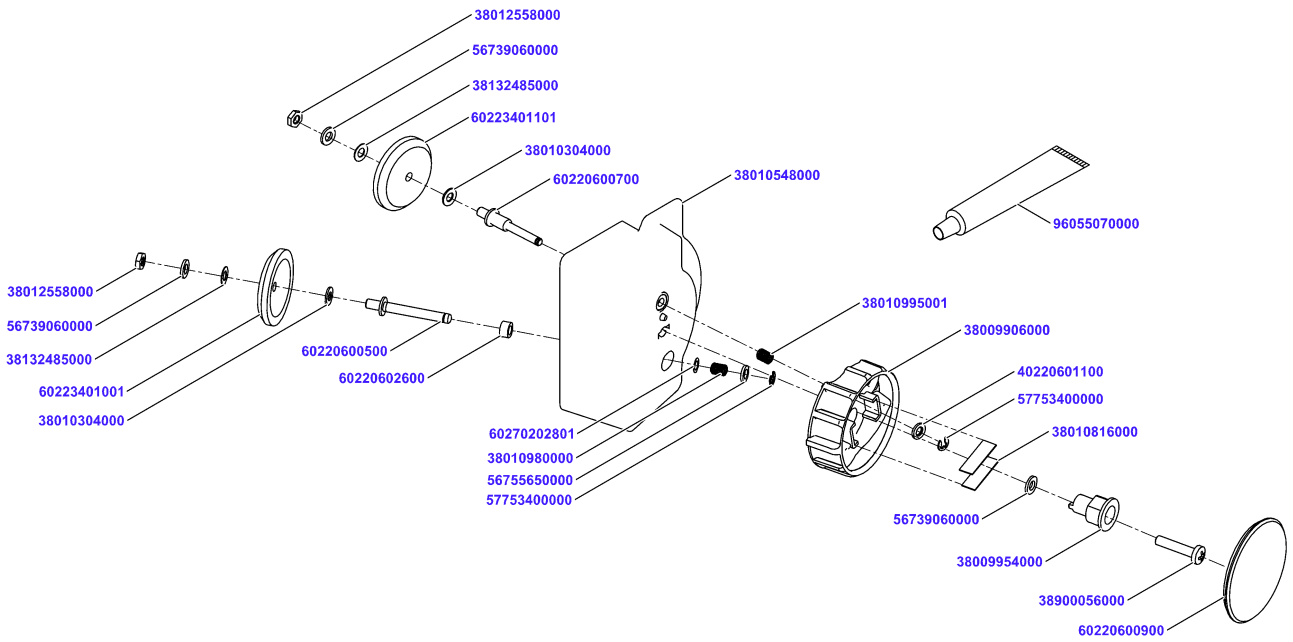
Grinder VSI 330 cpl.



Grinder VSI 330 cpl.

Material No.	Qty	Material description	available for order	Wear part	Recomm. sp. part	Metr. relevance
38010259000	1	UVV Sharpener preass. GSP				
38058837001	1	Adapter				
38008604000	2	Cover disc 18x8				
38008682000	1	cover disc long				
57450350000	4	Self-tap screw ISO7049-C3,5x16 A2-50-T15				
38900060000	4	Washer DIN125-A-3,5-A2				
38058840003	1	Clamp piece				
38048120000	1	Oval-head screw ISO14583 M6x25-A2-70-T30				
56739060000	1	Washer DIN125-A-6-A2				
38010862000	1	Steel star handle 18,85mm, cpl.				
60223400500	1	Cap M6x10				
38010209000	1	Stop - Verwendung entfallen				
57730110000	1	Oval-head screw ISO14583 M5x16-A2-70-T25				
56765050000	1	Washer DIN 9021-5_3-A2-70 56765050000				
57767050000	1	Spring lock washer DIN128-A5-FSt				
38071250000	1	Nut				

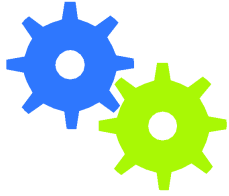
UVV Sharpener preass. GSP



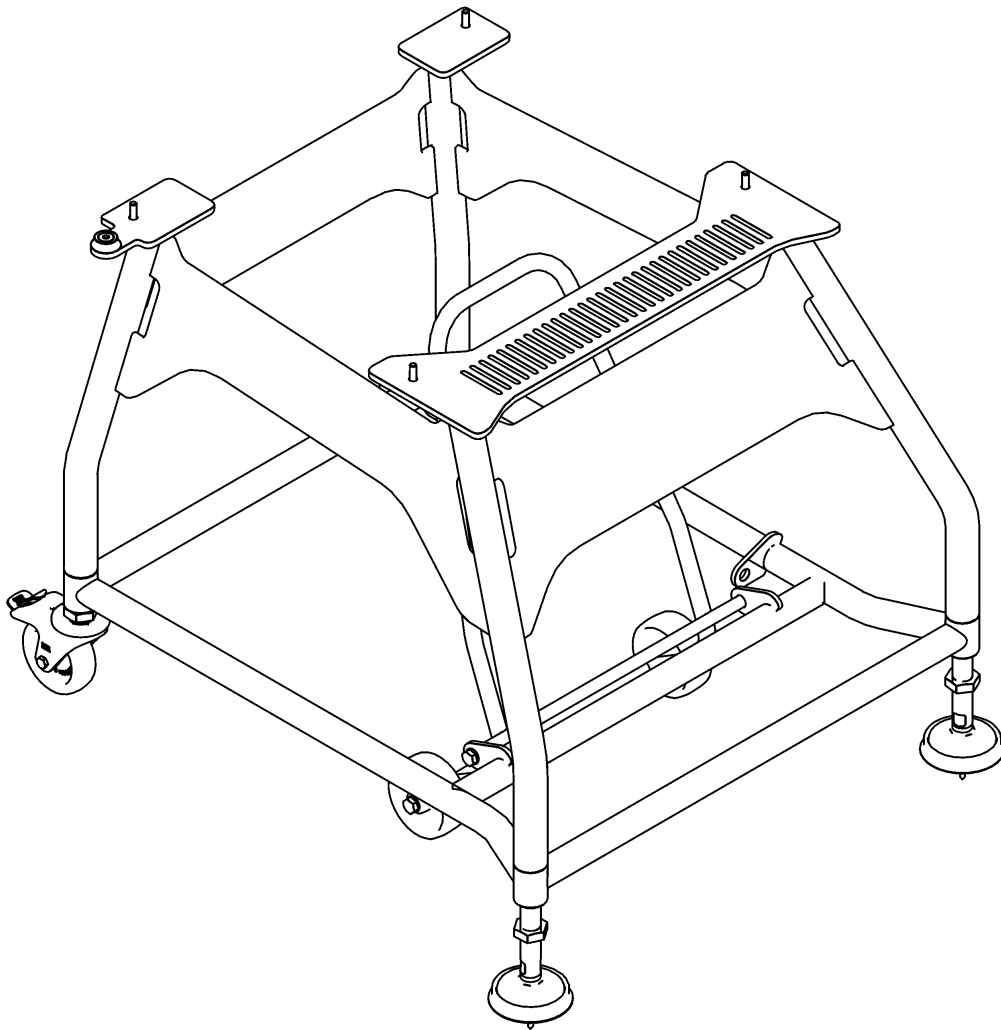
UVV Sharpener preass. GSP

Material No.	Qty	Material description	available for order	Wear part	Recomm. sp. part	Metr. relevance
38010548000	1	Housing	✓			
60220600500	1	Shaft 12x58	✓			
38010980000	1	pressure spring	✓			
56755650000	1	Washer DIN433-6-A2	✓			
57753400000	1	Retaining Washer DIN6799-4 57753400000	✓			
38009954000	1	bearing bolt	✓			
38009906000	1	handwheel	✓			
38900056000	1	Oval-head screw DIN7985 M6x30-A2-70	✓			
56739060000	1	Washer DIN125-A-6-A2	✓			
60220602600	1	Spacer sleeve 10x6,1x5,5	✓			
60220600700	1	Shaft 12x54,5	✓			
38010995001	1	pressure spring	✓			
60270202801	1	Washer	✓			
40220601100	1	Locking washer 11x5,4x1,5	✓			
57753400000	1	Retaining Washer DIN6799-4 57753400000	✓			
38010816000	2	Flat spring 29,5x10x0,6	✓			
60220600900	1	Cover 71x5.5	✓			
38132485000	2	Washer 6,3x12x0,5	✓			
60223401001	1	Sharpening disc	✓	✓		
60223401101	1	Honing Disc	✓	✓		
38010304000	2	Washer	✓			
56739060000	2	Washer DIN125-A-6-A2	✓			
38012558000	2	Hexagon nut DIN439-M6-A2	✓			
96055070000	0,001	Grease PARALIQ GA 343	✓			

Bench



38082643004



Bench

Material No. **Qty** **Material description**

[38082643004](#) 1 Stand mobile cpl

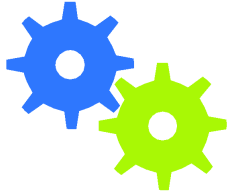
available for order

Wear part

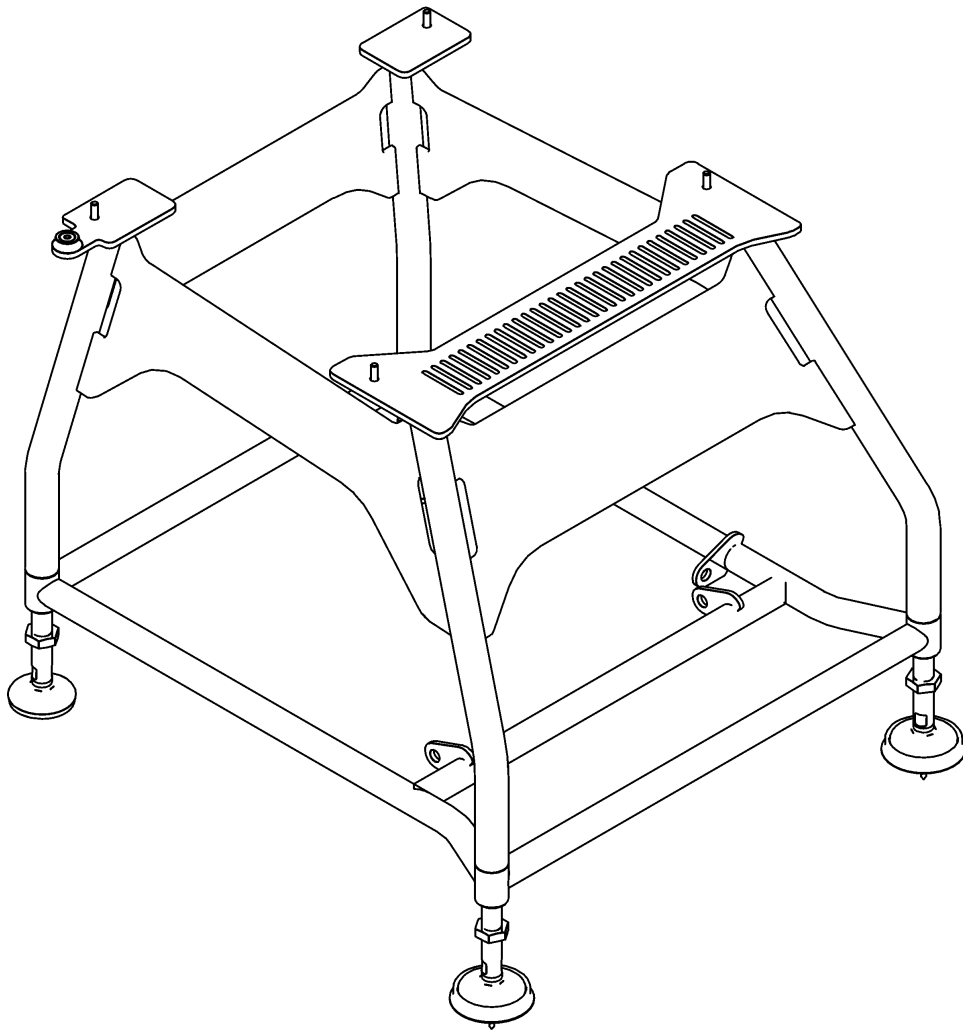
Recomm. sp. part

Metr. relevance

Bench



38083207002

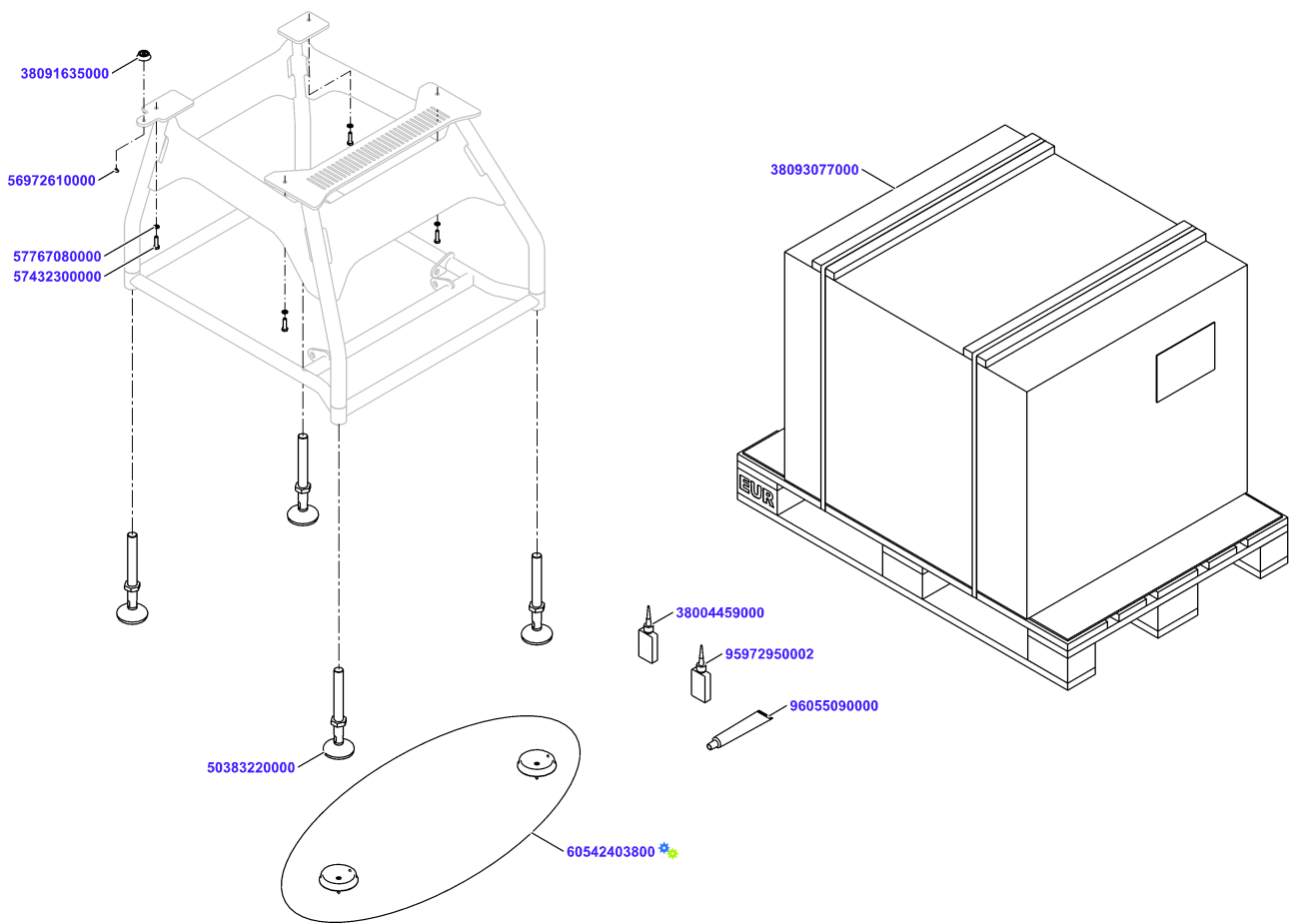


Bench











available for order
Wear part
Recomm. sp. part
Metr. relevance

Material No.	Qty	Material description
38083207002	1	Stand stationary cpl

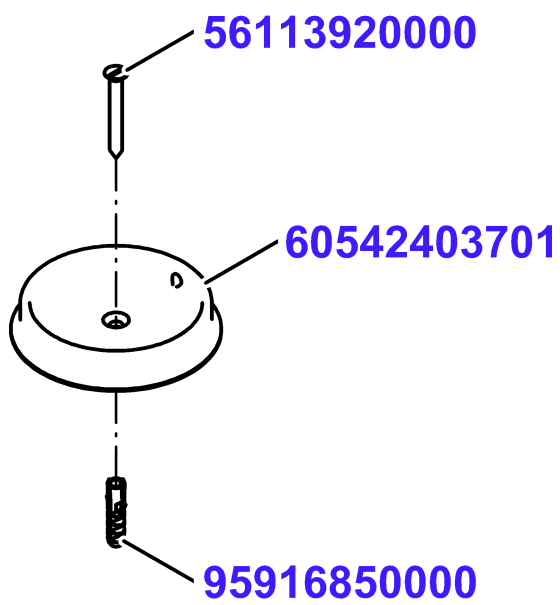
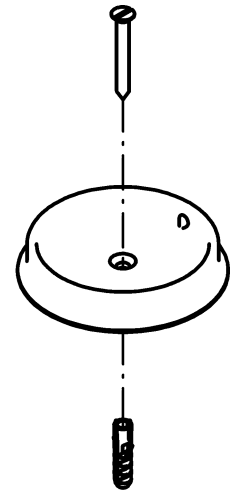
Stand stationary cpl






Stand stationary cpl

Material No.	Qty	Material description	available for order	Wear part	Recomm. sp. part	Metr. relevance
50383220000	4	Pivot foot 80x254-M24x230-10°				
96055090000	0,004	Assembly-paste Rivolta F.L.A. 100 ml				
57432300000	4	Hexagon screw DIN933 M8x30 A2-70				
38091635000	1	Spirit Level preass				
57767080000	4	Spring lock washer DIN128-A8-A2				
56972610000	1	Mushroom head screw M5x6-A2-70				
95972950002	0,001	Loctite 243 50 ml 95972950002				
60542403800	1	ACCESSORY KIT FOR BENCH FIXATION				
38093077000	1	Packaging Stand stationary VSI cpl				
38004459000	0,004	Loctite 648				

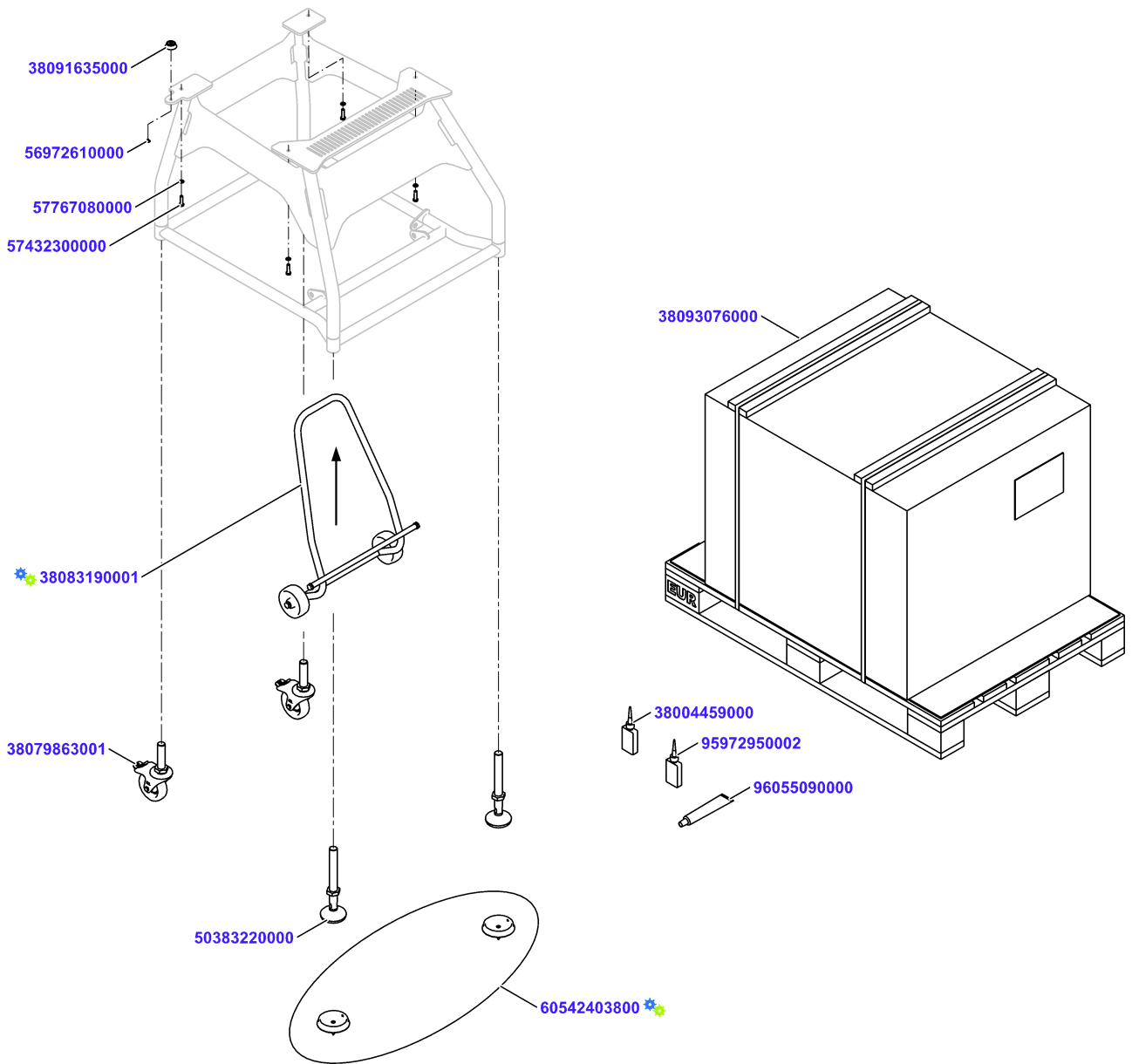
ACCESSORY KIT FOR BENCH FIXATION



ACCESSORY KIT FOR BENCH FIXATION

Material No.	Qty	Material description	available for order	Wear part	Recomm. sp. part	Metr. relevance
60542403701	2	mounting				
95916850000	2	Dowel 6x10x35				
56113920000	2	Wood screw DIN97-6x50-4.6				

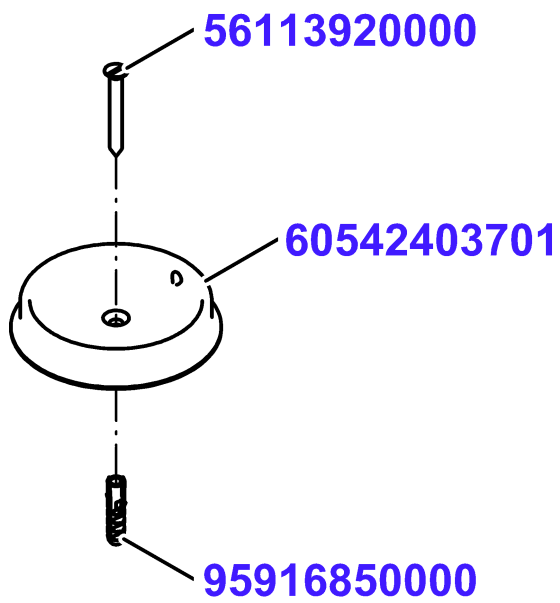
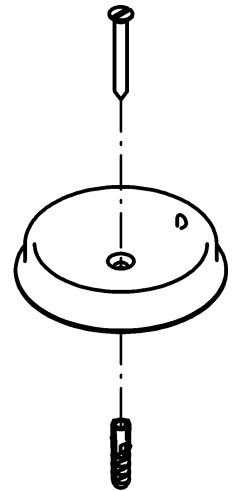
Stand mobile cpl






Stand mobile cpl

Material No.	Qty	Material description	available for order	Wear part	Recomm. sp. part	Metr. relevance
50383220000	2	Pivot foot 80x254-M24x230-10°	✓			
96055090000	0,002	Assembly-paste Rivolta F.L.A. 100 ml	✓			
57432300000	4	Hexagon screw DIN933 M8x30 A2-70	✓			
38091635000	1	Spirit Level preass	✓			
57767080000	4	Spring lock washer DIN128-A8-A2	✓			
56972610000	1	Mushroom head screw M5x6-A2-70	✓			
95972950002	0,001	Loctite 243 50 ml 95972950002	✓			
60542403800	1	ACCESSORY KIT FOR BENCH FIXATION	✓			
38093076000	1	Packaging Stand mobile VSI cpl	✓			
38004459000	0,004	Loctite 648	✓			
38083190001	1	Lever cpl.	✓			
38079863001	2	Castor cpl	✓			

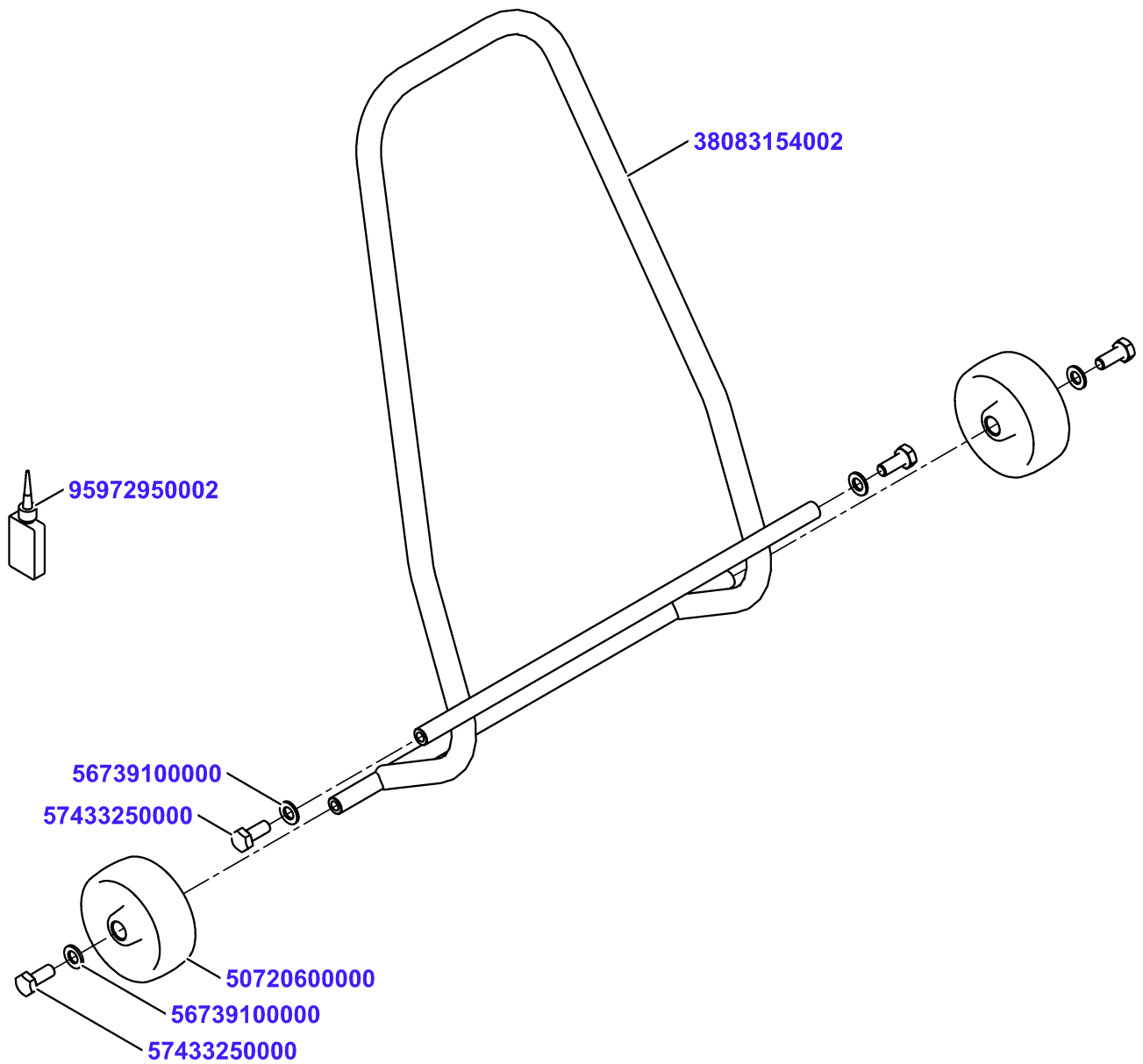
ACCESSORY KIT FOR BENCH FIXATION










ACCESSORY KIT FOR BENCH FIXATION

Material No.	Qty	Material description	available for order	Wear part	Recomm. sp. part	Metr. relevance
60542403701	2	mounting				
95916850000	2	Dowel 6x10x35				
56113920000	2	Wood screw DIN97-6x50-4.6				

Lever cpl.

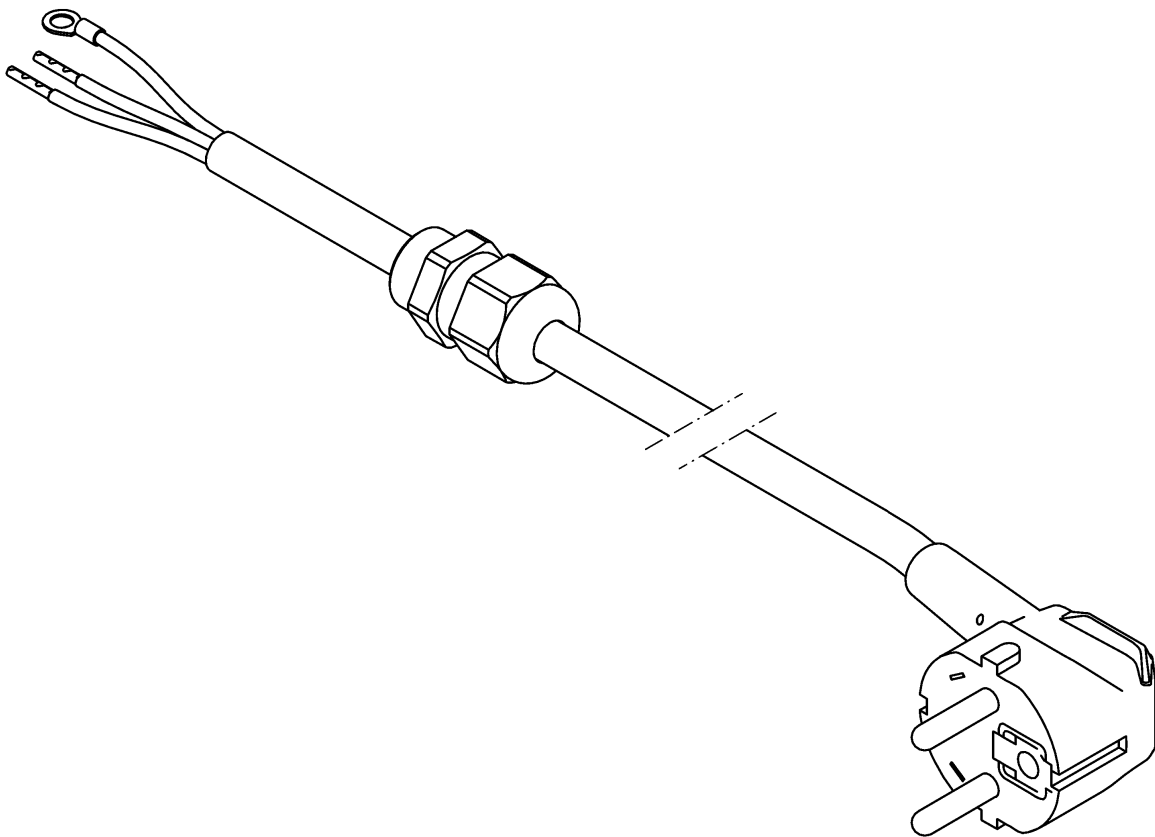


Lever cpl.

Material No.	Qty	Material description	available for order	Wear part	Recomm. sp. part	Metr. relevance
38083154002	1	Lever				
50720600000	2	Wheel 100x15x37-160				
56739100000	2	Washer DIN125-A-10-A2				
57433250000	2	Hexagon screw DIN933 M10x25 A2-70				
56739100000	2	Washer DIN125-A-10-A2				
57433250000	2	Hexagon screw DIN933 M10x25 A2-70				
95972950002	0,001	Loctite 243 50 ml 95972950002				

Network connections

38084852000



Network connections

Material No.	Qty	Material description
38084852000	1	Power Connection Cable AC EURO L2,5m cpl

available for order

Wear part

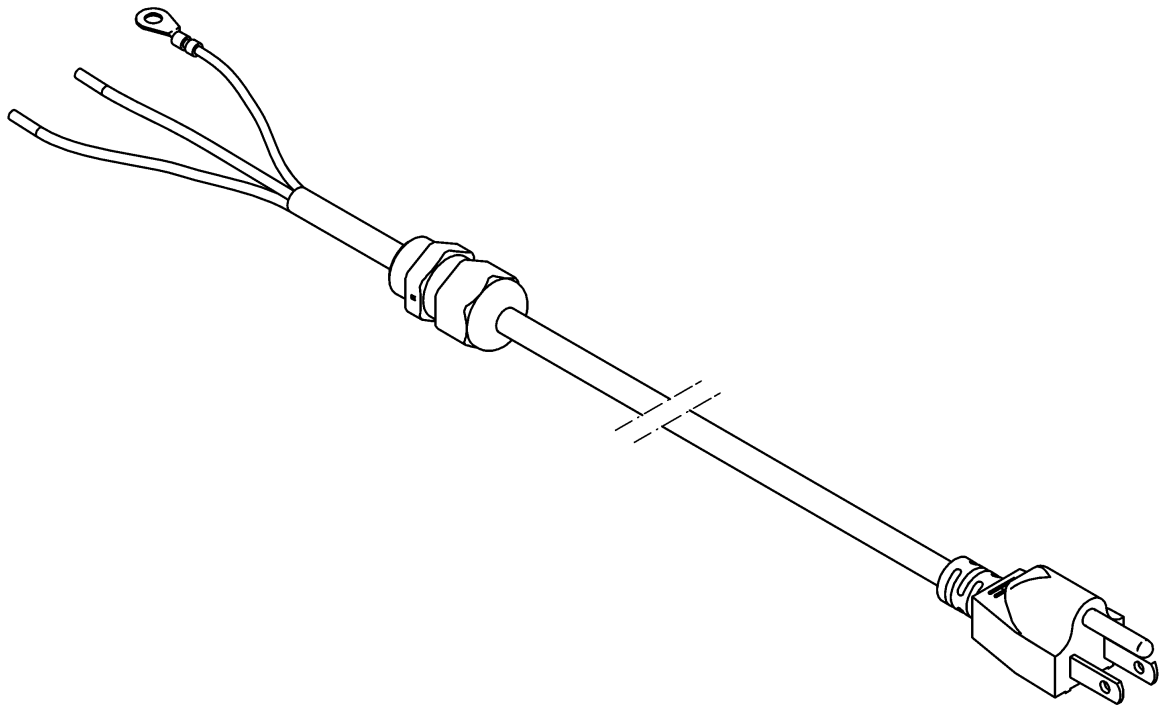
Recomm. sp. part

Metr. relevance




Network connections

38084853000



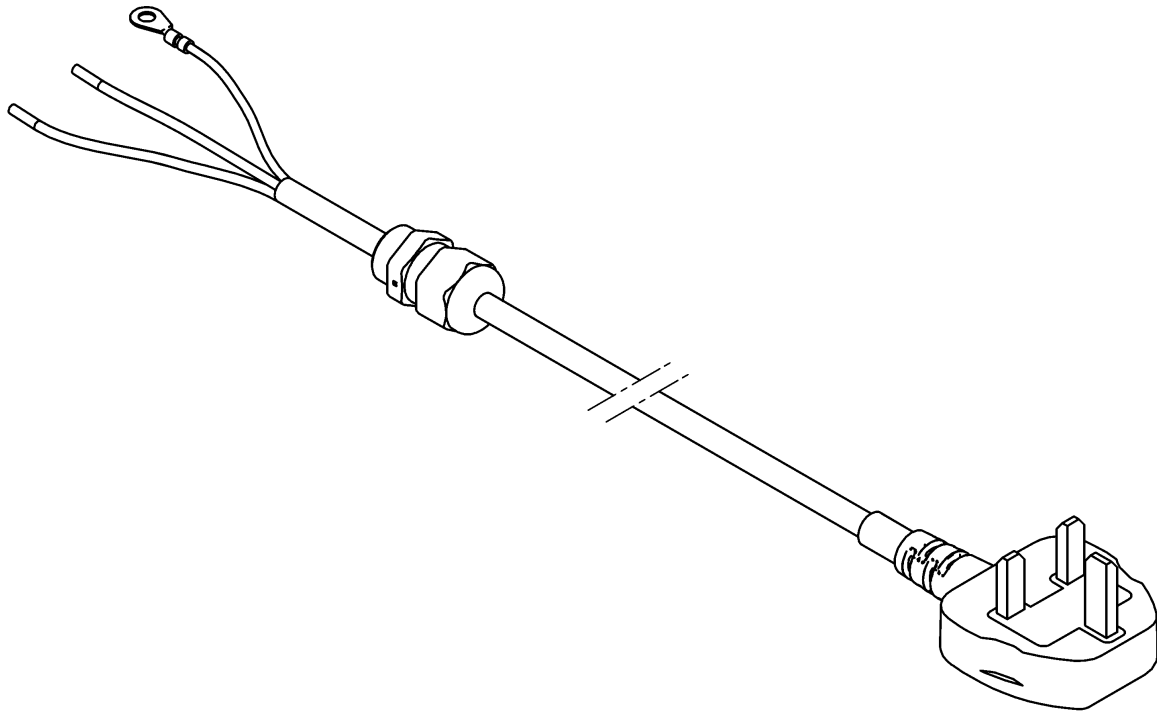
Network connections

Material No.	Qty	Material description
38084853000	1	Power Conn. Cable USA CAN cpl

	available for order	Wear part	Recomm. sp. part	Metr. relevance
---	---------------------	-----------	------------------	-----------------

Network connections

38091889000



Network connections

Material No.	Qty	Material description
38091889000	1	Power Connection Cable UK cpl.

available for order

Wear part

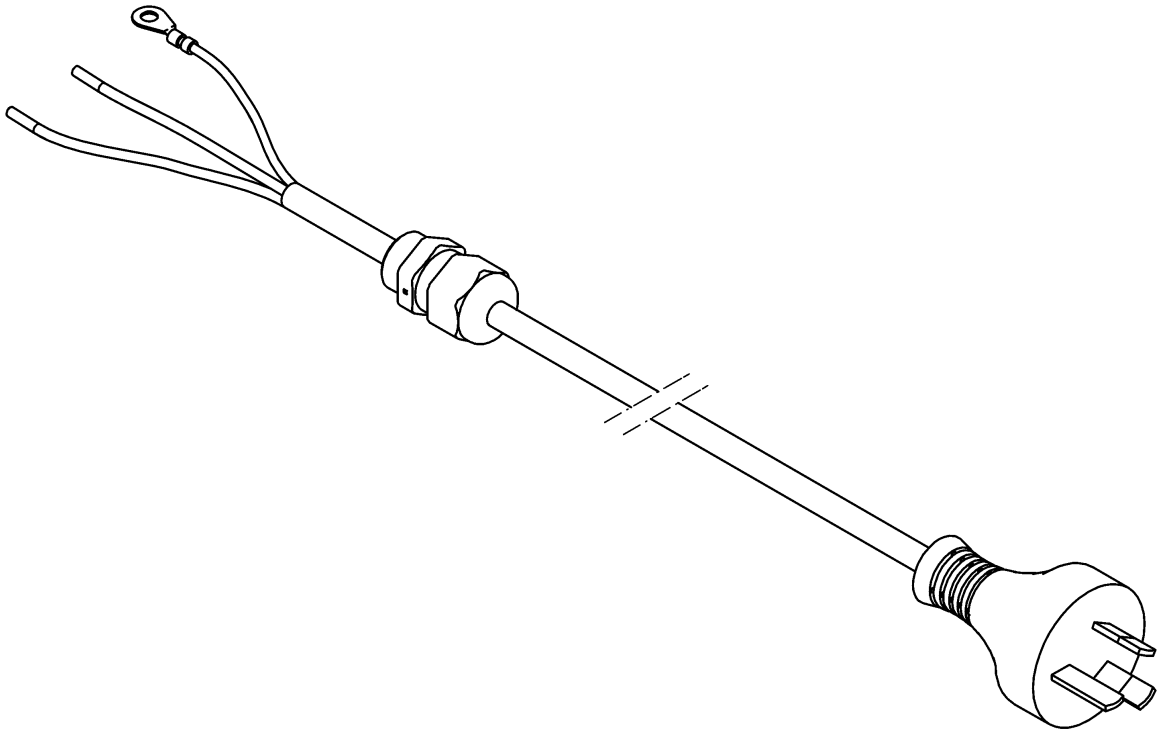
Recomm. sp. part

Metr. relevance



Network connections

38091890000



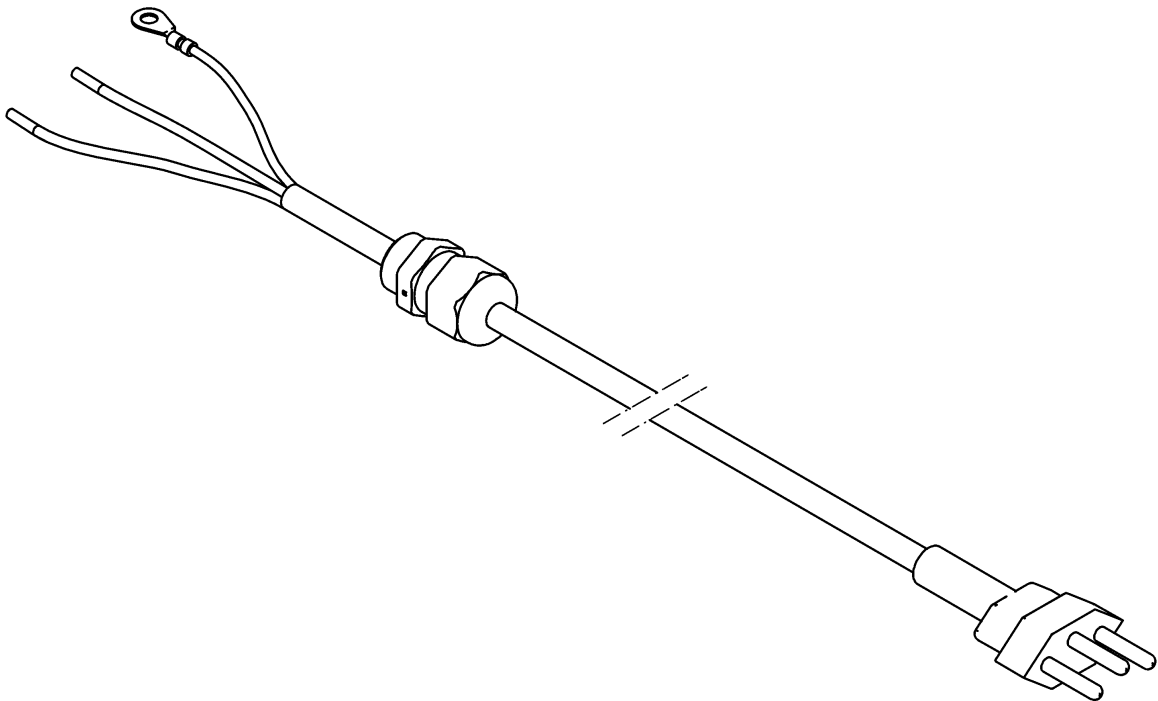
Network connections

available for order
Wear part
Recomm. sp. part
Metr. relevance

Material No.	Qty	Material description
38091890000	1	Power Connection Cable AU cpl.

Network connections

38091891000



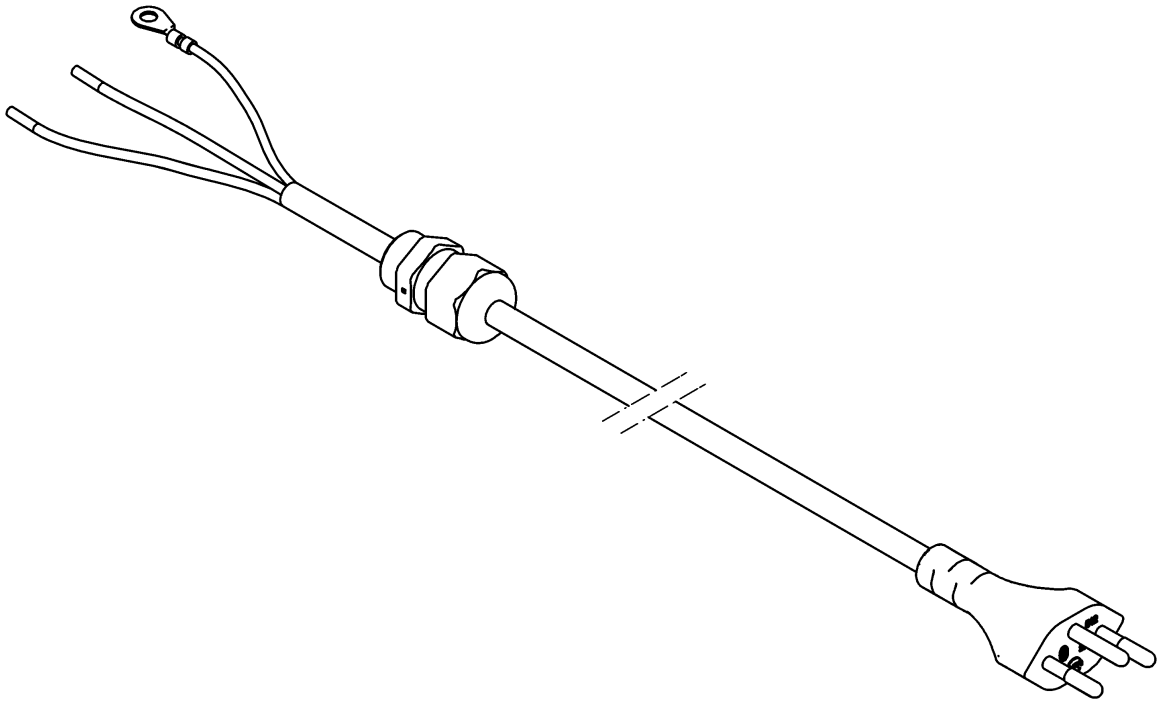
Network connections

available for order
Wear part
Recomm. sp. part
Metr. relevance

Material No.	Qty	Material description
38091891000	1	Power Connection Cable BR cpl.

Network connections

38098326000



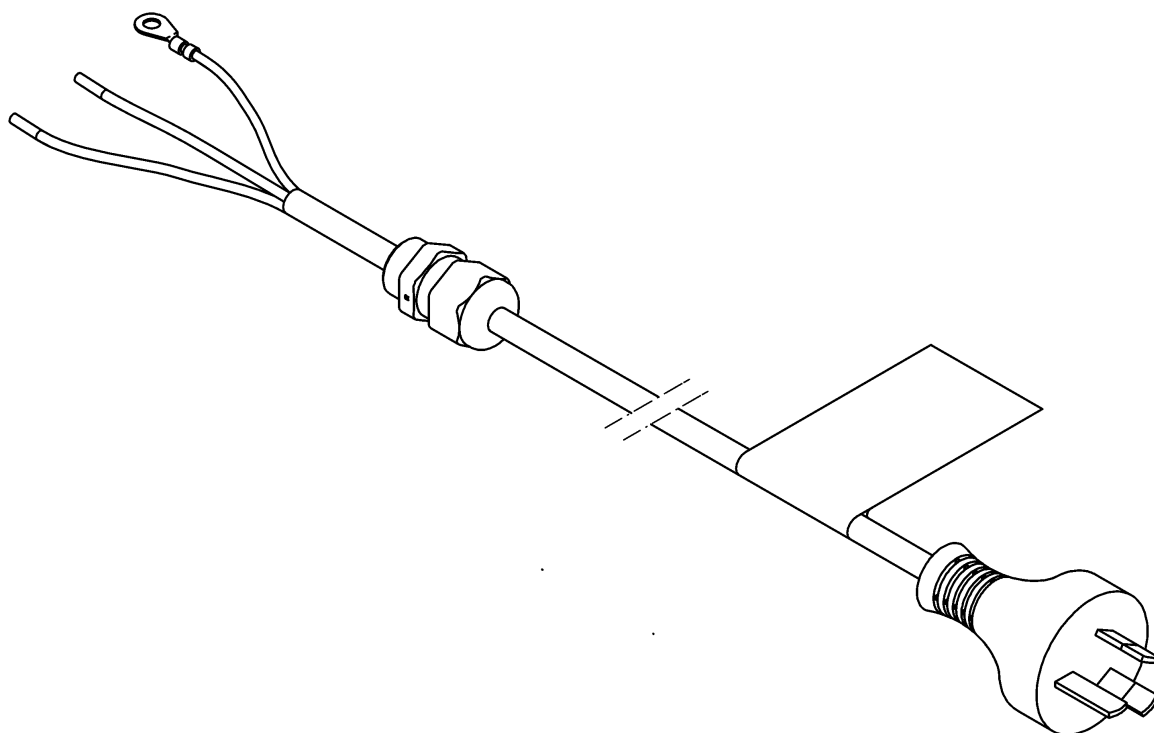
Network connections

available for order
Wear part
Recomm. sp. part
Metr. relevance

Material No.	Qty	Material description
38098326000	1	Power Connection Cable CH cpl.


Network connections

38098327000



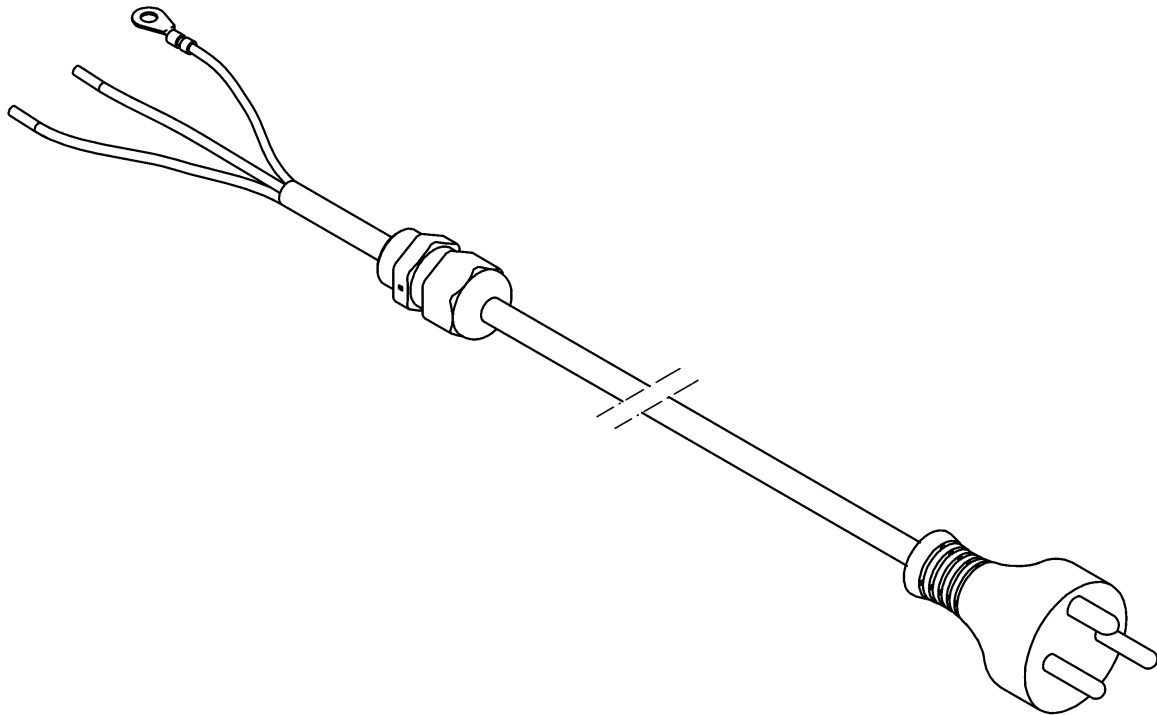
Network connections

Material No.	Qty	Material description
38098327000	1	Power Connection Cable AR cpl.

	available for order	Wear part	Recomm. sp. part	Metr. relevance
---	---------------------	-----------	------------------	-----------------

Network connections

38106851000



Network connections

available for order
Wear part
Recomm. sp. part
Metr. relevance

Material No.	Qty	Material description
38106851000	1	Power Connection Cable DK cpl

Power Connection Cable UK cpl.

Power Connection Cable UK cpl.

Material No.	Qty	Material description
40110047600	1	Power Cable Plugtype G 3x1,00 BK 2,5m
38100566000	1	Cable gland Skintop ST-M M16x1,5 black

available for order
Wear part
Recomm. sp. part
Metr. relevance

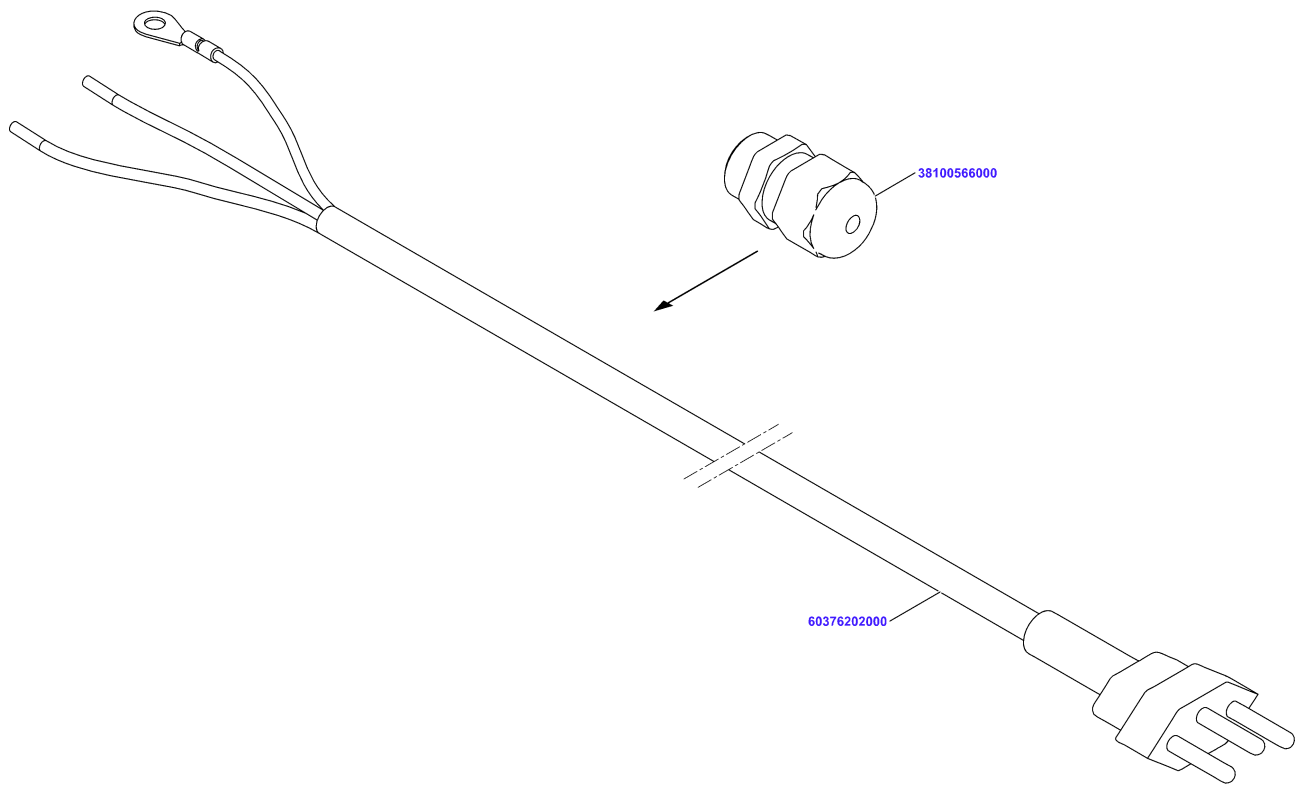
Power Connection Cable AU cpl.

Power Connection Cable AU cpl.

Material No.	Qty	Material description
40110047400	1	Power Cable Plugtype I 3x0,75 BK 2,5m
38100566000	1	Cable gland Skintop ST-M M16x1,5 black

available for order
Wear part
Recomm. sp. part
Metr. relevance

Power Connection Cable BR cpl.

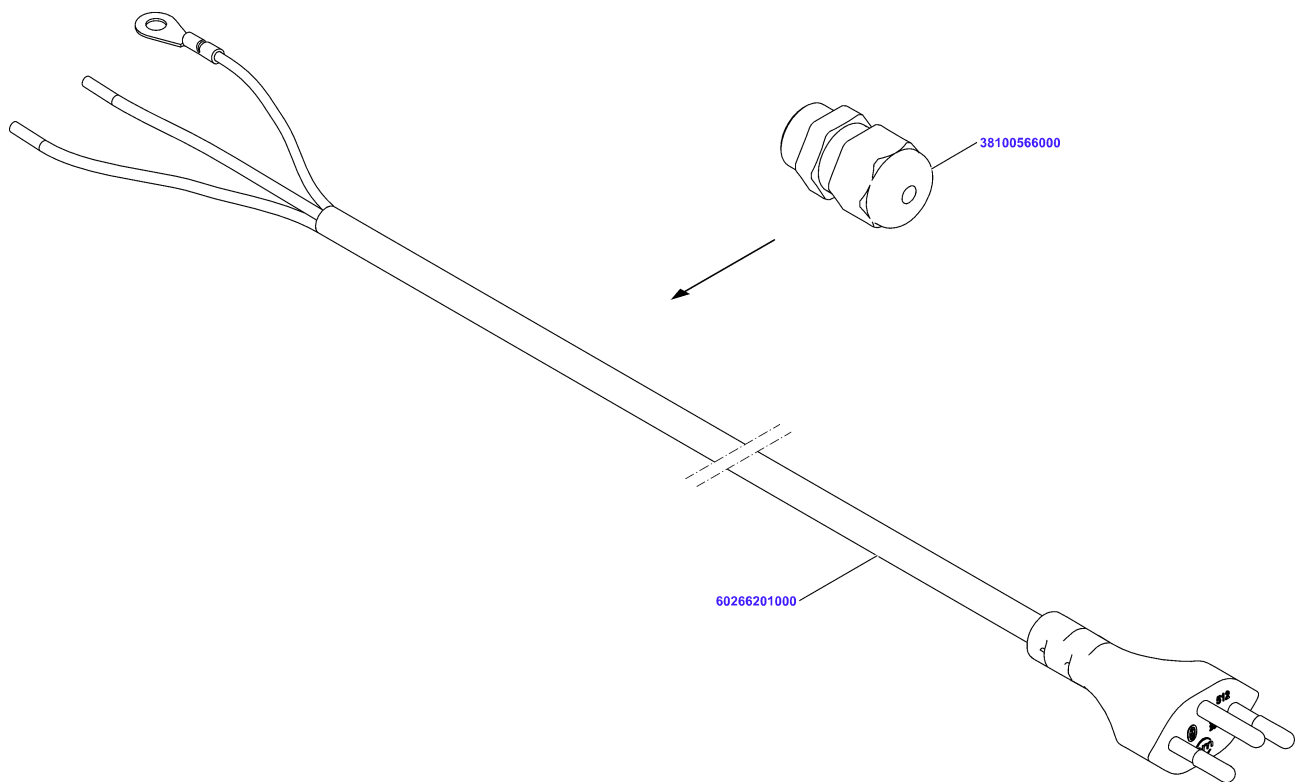


Power Connection Cable BR cpl.

Material No.	Qty	Material description
60376202000	1	Ka. Rd. 3G1,0qmm 2,5m
38100566000	1	Cable gland Skintop ST-M M16x1,5 black

available for order
Wear part
Recomm. sp. part
Metr. relevance

Power Connection Cable CH cpl.

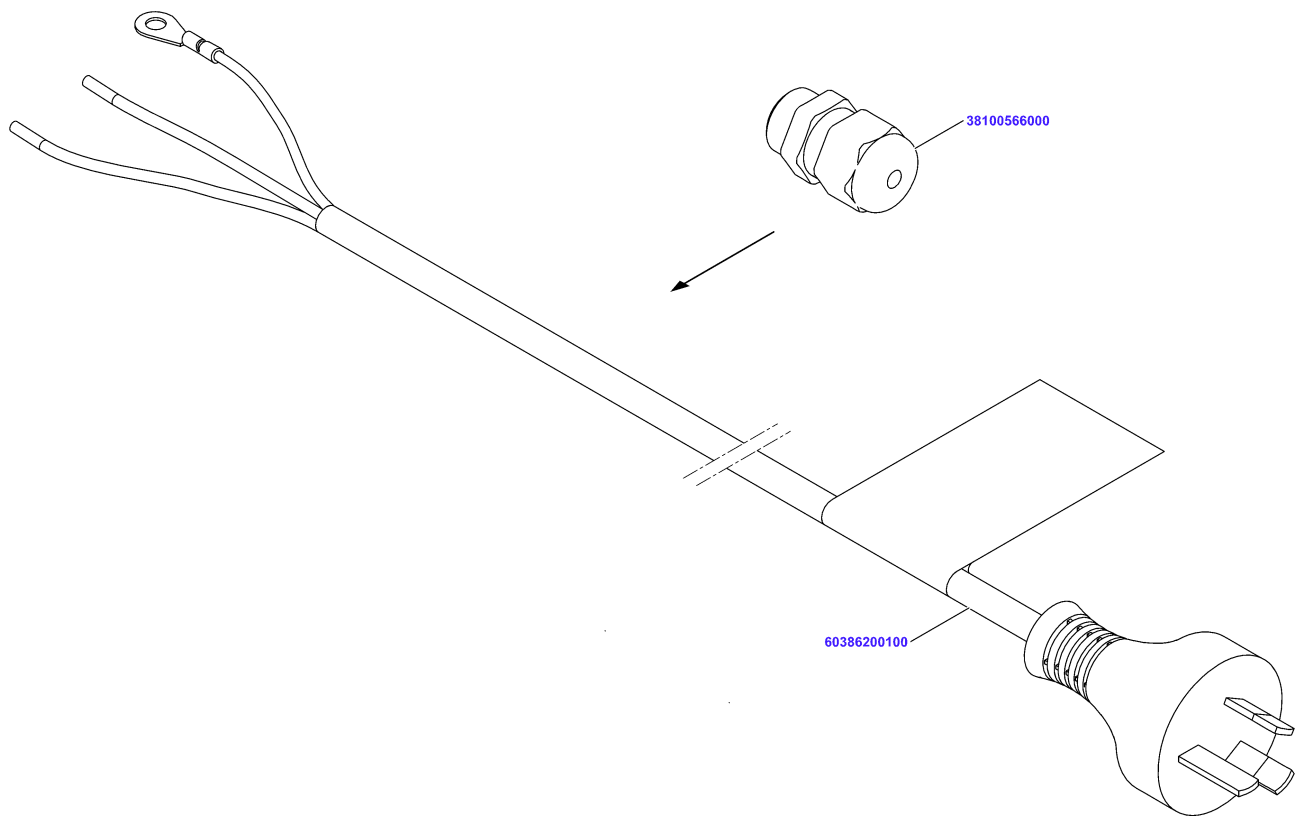


Power Connection Cable CH cpl.

Material No.	Qty	Material description
60266201000	1	Power Cable Plugtype J 3x1,00 GY 2,5m
38100566000	1	Cable gland Skintop ST-M M16x1,5 black

available for order
Wear part
Recomm. sp. part
Metr. relevance

Power Connection Cable AR cpl.



Power Connection Cable AR cpl.

Material No.	Qty	Material description
38100566000	1	Cable gland Skintop ST-M M16x1,5 black
60386200100	1	Power Cable Plugtype I 3x1,00 GY 2,5m

available for order
Wear part
Recomm. sp. part
Metr. relevance

Power Connection Cable DK cpl

Power Connection Cable DK cpl

Material No.	Qty	Material description
60806200200	1	MAINS CABLE WE DNK
71010820000	1	Cable Gland M16 UL 53111010

available for order
Wear part
Recomm. sp. part
Metr. relevance

Identification plates

38086202001

BIZERBA

VSI330 XXX

XXX

XXX

Nr./No. XXX

XXX

XXX


Bizerba SE & Co.KG
Wilhelm-Kraut-Str.65
72336 Balingen
Germany

XXX

XXX

Identification plates

Material No.	Qty	Material description
38086202001	1	Name Plate VSI

	available for order	Wear part	Recomm. sp. part	Metr. relevance
---	---------------------	-----------	------------------	-----------------


Identification plates

38086202002


BIZERBA	VSI330 XXX
XXX	
Nr./No. XXX	XXX
XXX	
Bizerba SE & Co.KG Wilhelm-Kraut-Str.65 72336 Balingen Germany	
XXX	XXX

Identification plates

Material No.	Qty	Material description
38086202002	1	Name Plate VSI

	available for order	Wear part	Recomm. sp. part	Metr. relevance
---	---------------------	-----------	------------------	-----------------

Identification plates



38100643002

BIZERBA	XXXXXX	
Fatiador	Ano X-XXXX	Max 2 kg
Nr./No.XXXXXXX	IPx5	d=0,001 kg
X XX XXXXXXXXXXXX	XX XXXXX	


Bizerba SE & Co.KG
Wilhelm-Kraut-Str.65
72336 Balingen
FABRICADO NA ALEMANHA

Bizerba do Brasil Ltda.
Alameda Caiapós 717-Tamboré
06460-110 Barueri-SP
Brasil
CNPJ 04.409.332/0001-85
Número registro no CREA-SP: 2038471

Peso da máquina 137kg
Capacidade carregamento máximo 20,0 kg

Identification plates

Material No.	Qty	Material description
38100643002	1	Nameplate VSI330 F TW BRA

	available for order
	Wear part
	Recomm. sp. part
	Metr. relevance

Identification plates

38100643003

BIZERBA VSI330 F TW
Fatiador Ano K-2020
Nr./No. XXXXXXXX IPx5
1 ~ 220 V-240 V 50 Hz/60 Hz 2,9 A


Bizerba SE & Co.KG
Wilhelm-Kraut-Str.65
72336 Balingen
FABRICADO NA ALEMANHA

Bizerba do Brasil Ltda.
Alameda Caiapós 717-Tamboré
06460-110 Barueri-SP
Brasil
CNPJ 04.409.332/0001-85
Número registro no CREA-SP: 2038471

Peso da máquina 137kg
Capacidade carregamento máximo 20,0 kg

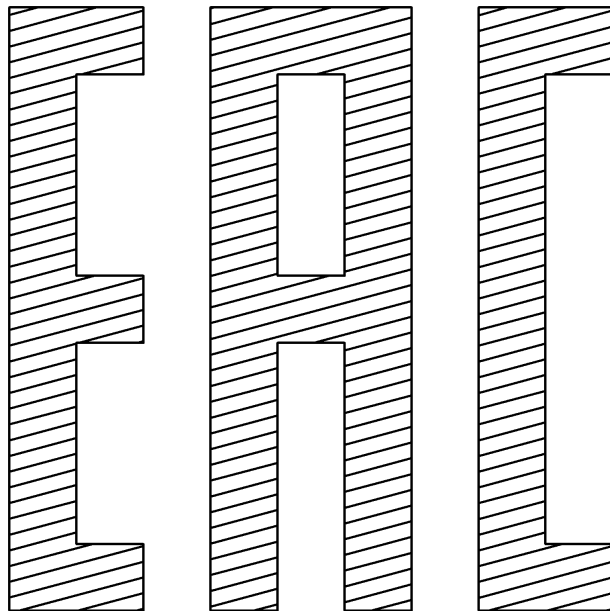
Identification plates

Material No.	Qty	Material description
38100643003	2	Nameplate VSI F T BRA

	available for order	Wear part	Recomm. sp. part	Metr. relevance
---	---------------------	-----------	------------------	-----------------


Plates and labels

38014393000



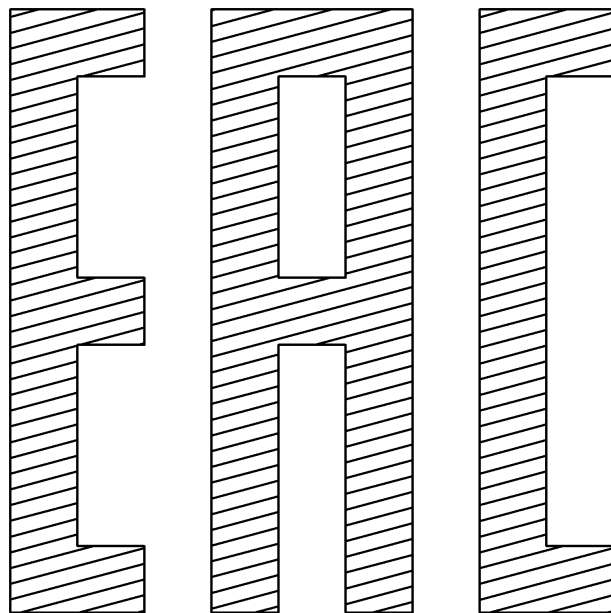
Plates and labels

Material No.	Qty	Material description
38014393000	1	EAC mark

	available for order
	Wear part
	Recomm. sp. part
	Metr. relevance

Plates and labels

38014393001



Plates and labels

available for order
Wear part
Recomm. sp. part
Metr. relevance

Material No.	Qty	Material description
38014393001	1	Plate EAC mark

Plates and labels

38014989000



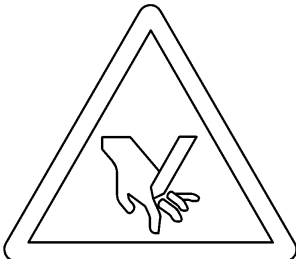



Plates and labels

available for order
Wear part
Recomm. sp. part
Metr. relevance

Material No.	Qty	Material description
38014989000	1	Sticker "See instruction manual"

Plates and labels

38017656000

	 WARNING
	<p>Authorized personnel only Read operating instructions to avoid serious injuries Moving parts can crush and cut Disconnect from supply circuit before cleaning or servicing</p>
 AVERTISSEMENT  CUIDADO	
<p>Personnel autorisé seulement Lire le mode d'emploi afin d'éviter des blessures graves Les mécanismes en mouvement peuvent écraser et couper Débrancher du secteur avant d'effectuer le nettoyage ou l'entretien</p>	<p>Solo personal autorizado Lea cuidadosamente las instrucc de manejo para evitar serios da Las partes móviles pueden machucar y cortar Desconecte la fuente de energ eléctrica antes de realizar la limpieza o trabajos de servicio</p>

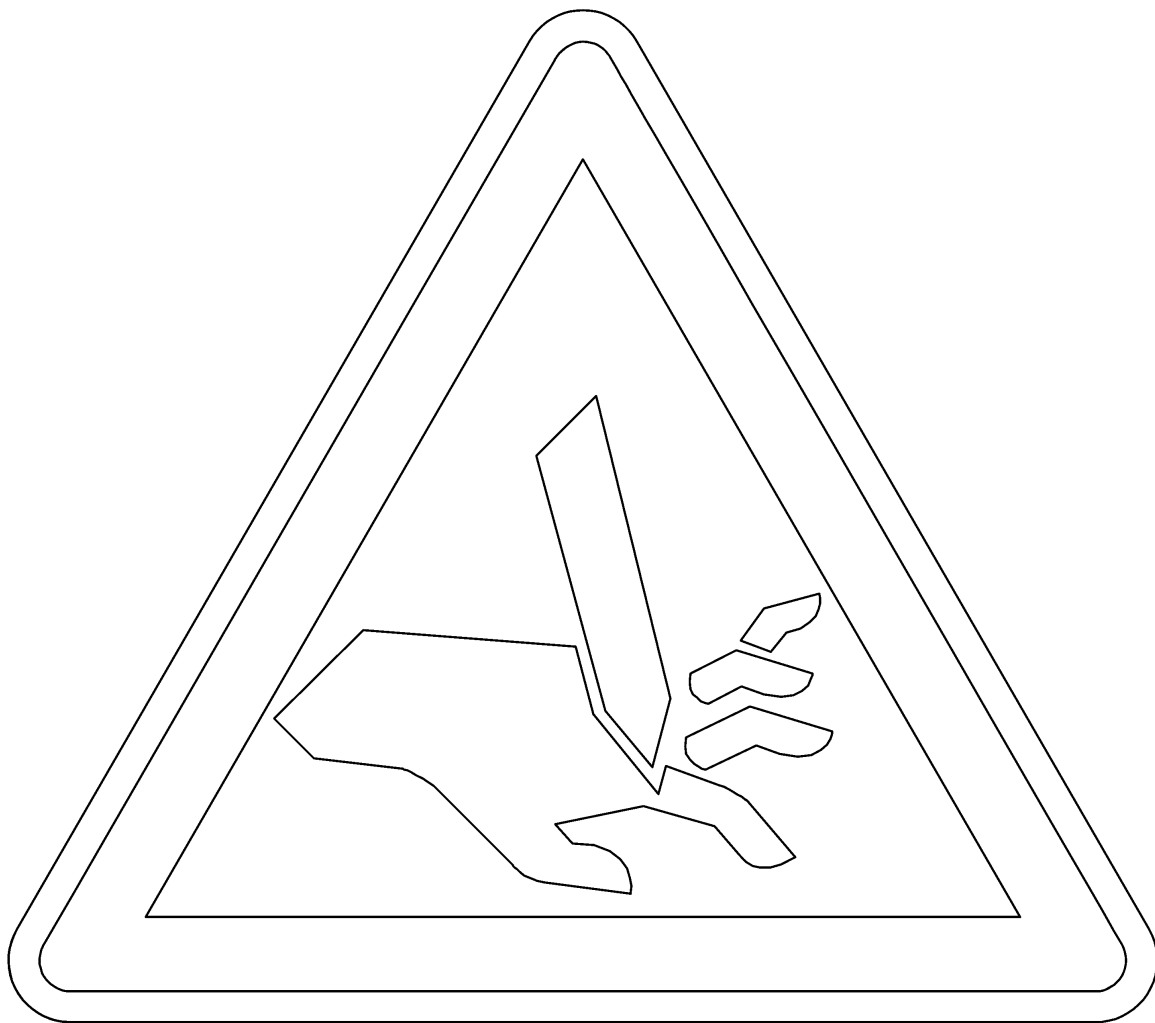
Plates and labels

available for order
Wear part
Recomm. sp. part
Metr. relevance

Material No.	Qty	Material description
38017656000	1	Warning plate

Plates and labels

38074016000



Plates and labels

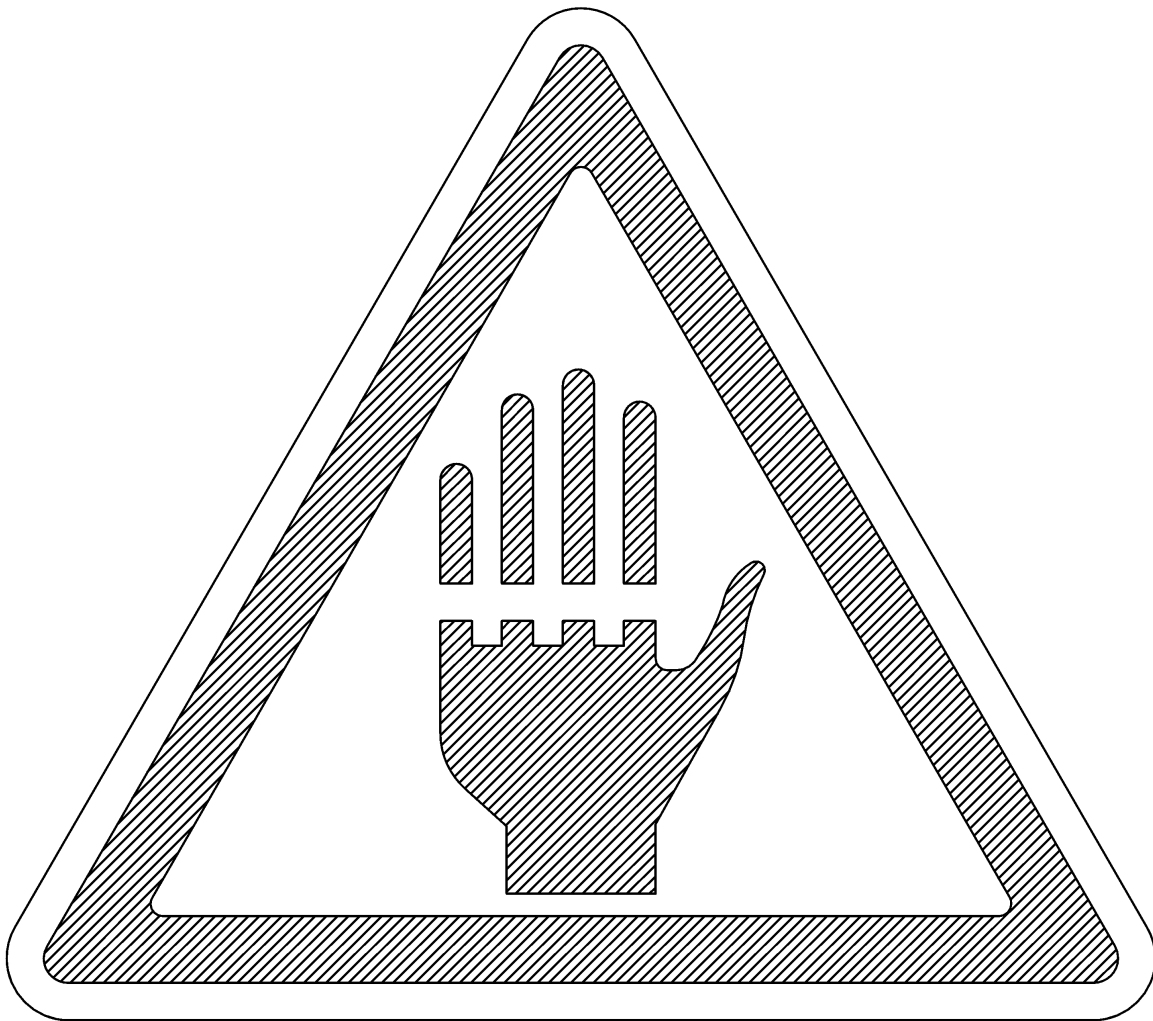
Material No.	Qty	Material description
38074016000	1	Warning Label Danger of Cuts SL50mm

available for order
Wear part
Recomm. sp. part
Metr. relevance



Plates and labels

38075271000



Plates and labels

Material No.	Qty	Material description
38075271000	1	guide sign risk to cut BRA

available for order

Wear part

Recomm. sp. part

Metr. relevance



Plates and labels

38079377000



Plates and labels

available for order
Wear part
Recomm. sp. part
Metr. relevance

Material No.	Qty	Material description
38079377000	1	Warning Label max Product weight

Plates and labels

51488600000



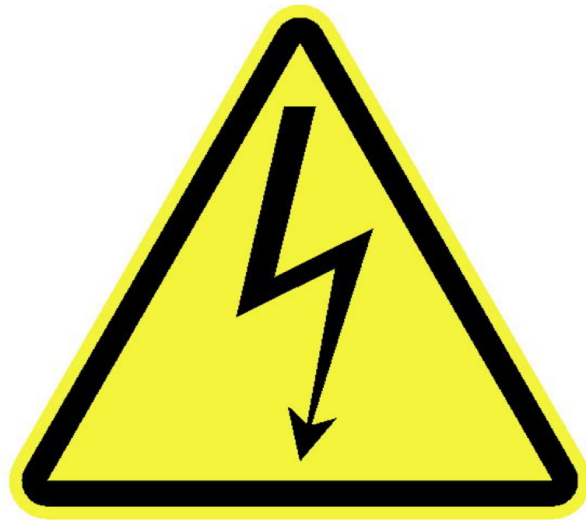
Plates and labels

available for order
Wear part
Recomm. sp. part
Metr. relevance

Material No.	Qty	Material description
51488600000	1	Warning Plate Hand Injury 7.29K


Plates and labels

51977600000



Plates and labels

Material No.	Qty	Material description
51977600000	1	Warning plate with danger arrow 50

	available for order	Wear part	Recomm. sp. part	Metr. relevance
---	---------------------	-----------	------------------	-----------------

Plates and labels


60804801200

SHARPEN AND LUBE DAILY

1. clean and dry blade
2. set sharpener to 1 for 30 seconds
3. then position 2 for 3 seconds

damage from neglect not covered under warranty

Plates and labels

Material No.	Qty	Material description	available for order	Wear part	Recomm. sp. part	Metr. relevance
60804801200	1	Reference plate "Sharpen and lube daily"				

Plates and labels

67501163700



WARNING INSTRUCTIONS

To all customers, supervisors and operators of Bizerba equipment

Your safety is our concern

1. Use machine only for its intended purposes.
2. Before installation and operation make sure electrical specifications on machine agree with your electrical service.
3. Power supply, voltage and proper grounding to be checked by qualified and certified electrician only. Faulty connection could cause fatal injury and result in machine damage.
4. Installation, testing of operation, instruction and training of operators and staff to be carried out only by Bizerba USA Inc. or personnel authorized by Bizerba USA Inc.
5. Only adult, trained, qualified and authorized personnel is allowed to operate, clean, sanitize and maintain machine, and to sharpen blade. Instruct new personnel in strict accordance with our operating instructions.
6. Improper use could cause serious injuries and machine damage.
7. Instruction and training to be repeated frequently.
8. Safety and protective devices must not be removed or altered under any circumstances. Technical modifications are not permitted.
9. Use only original Bizerba parts, accessories and lubricants.
10. Do not install or operate machine if damaged during transport. Call Bizerba service immediately.
11. Unplug machine prior to any servicing, maintenance, cleaning, sanitizing, and inspection.
12. Machine never to be operated without supervisor.
13. Always follow safety and warning instructions as contained on warning stickers which if removed, have to be replaced immediately.

For expert help and advice, contact your local Bizerba factory authorized representative.

For service or instructions, contact

BIZERBA USA Inc.
31 Gordon Road
Piscataway, New Jersey 08854
Telephone: (732) 819-0121
Fax: (732) 819-0429

B 677 00 06

750 1163700

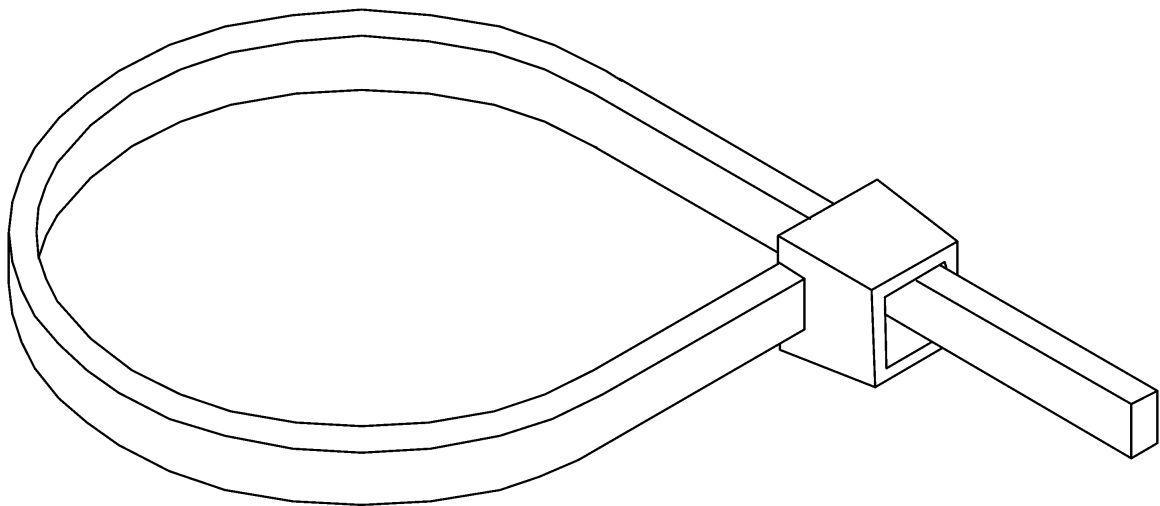
Plates and labels

available for order
Wear part
Recomm. sp. part
Metr. relevance

Material No.	Qty	Material description
67501163700	1	REFERENCE PLATE "WARNING INSTRUCTIONS"

Plates and labels

71004310000




Plates and labels

available for order
Wear part
Recomm. sp. part
Metr. relevance


Material No.	Qty	Material description
71004310000	1	Cabel Tie T18R

Plates and labels

94009990000

 **Bizerba Hotline**
T 07433 12-1300

Plates and labels

Material No.	Qty	Material description	available for order	Wear part	Recomm. sp. part	Metr. relevance
94009990000	1	Machine sticker Hotline 1020 (70x30)				

Accessories



38064574000

**Zubehörteile für
Präzisionsschneidemaschinen**

Accessories of Precision Food Slicers

Accessoires pour trancheurs de précision

Accesorios para cortadoras de precisión

Accessori per le affettatrici di precisione

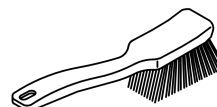
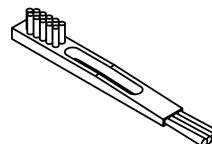
BIZERBA
WAAGEN- UND MASCHINENFABRIKEN

BIZERBA

Vor dem Schneiden Messer abwaschen und
Schnittbrett zu erwärmen. Dieses Papierfolie
auf den Schritten legen und einen Streifen
abschneiden, um Messerblatt mit Fett
zu säubern.


Clean the knife before sharpening and adjust
also thickness to it. Put this paperfilm on the
carridge and cut a strip in order to thoroughly
clean the knife-edge.

Avant d'affiler, nettoyer le couteau et régler sur
l'épaisseur de tranche visé. Poser une feuille sur
le chariot et en couper une bande de façon
à dégraisser le biseau de toute trace de
graisse.

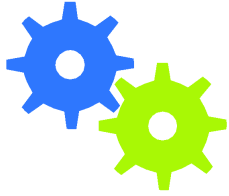


Accessories

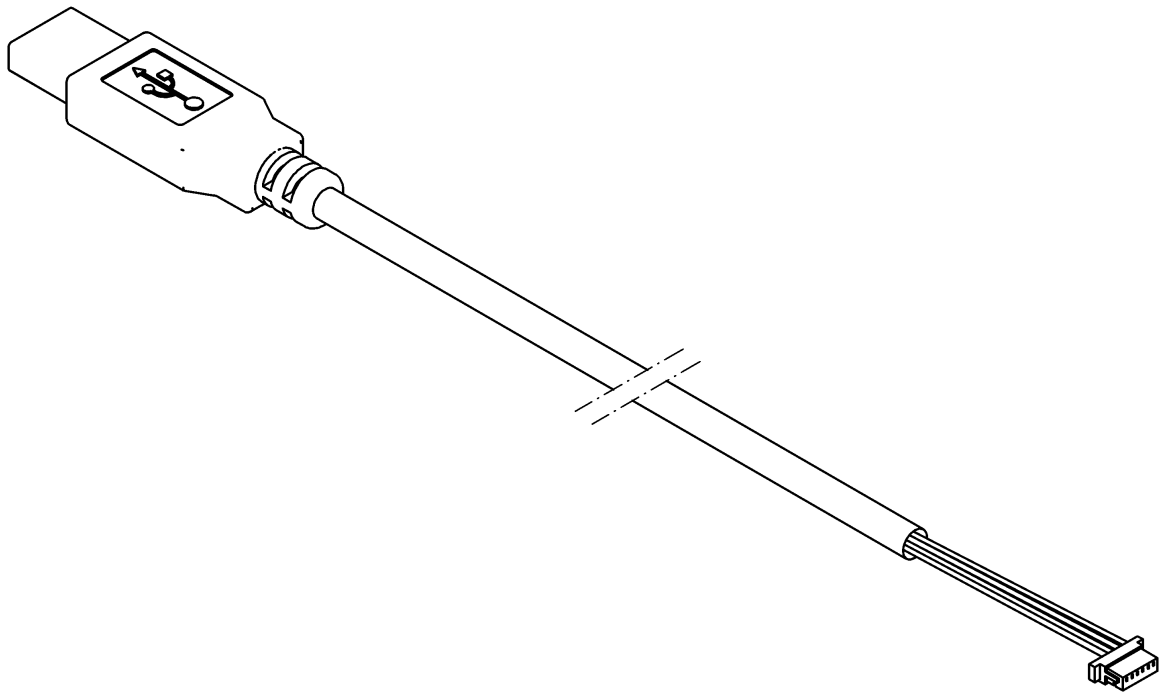
Material No.	Qty	Material description
38064574000	1	Accessories Kit for automatic Slicer

	available for order	Wear part	Recomm. sp. part	Metr. relevance
---	---------------------	-----------	------------------	-----------------

Accessories



38086259000

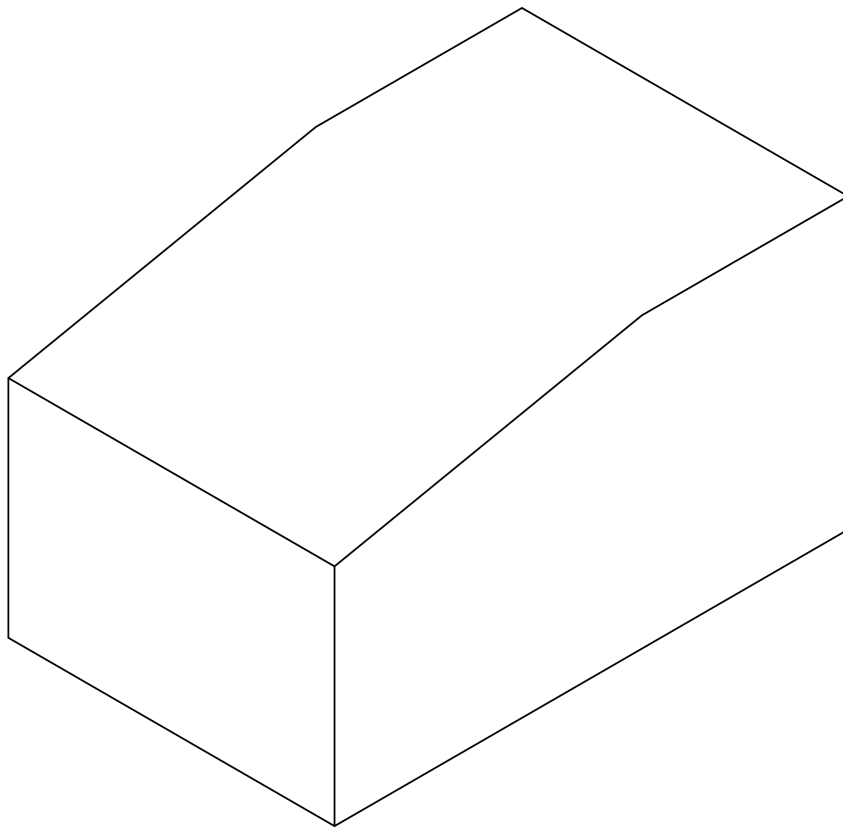


Accessories

Material No.	Qty	Material description	available for order	Wear part	Recomm. sp. part	Metr. relevance
38086259000	1	VSI calibration touch controller				


Accessories

38089962000

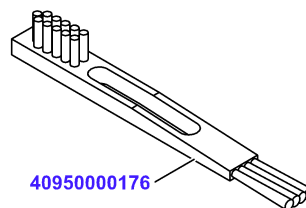
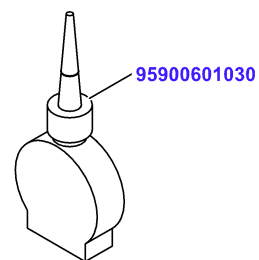
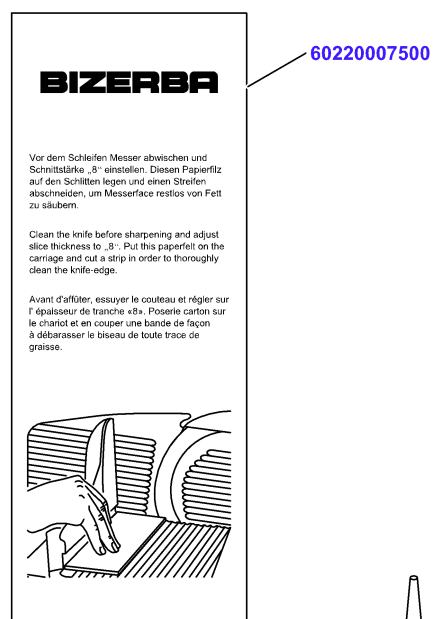
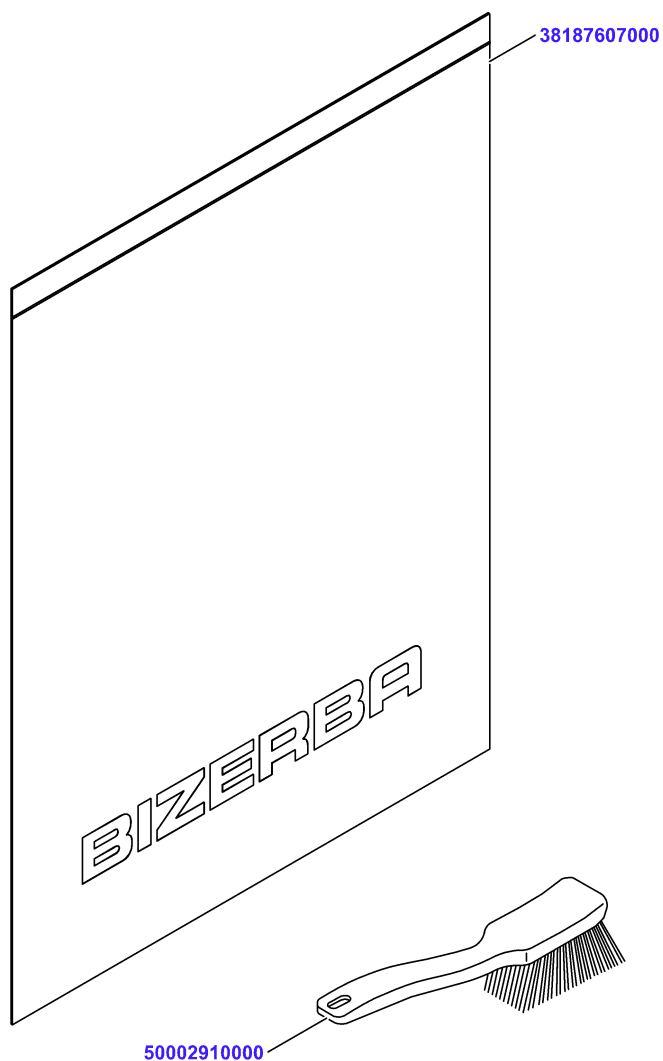


Accessories

Material No.	Qty	Material description
38089962000	1	Protective Hood VSI cpl

	available for order
	Wear part
	Recomm. sp. part
	Metr. relevance

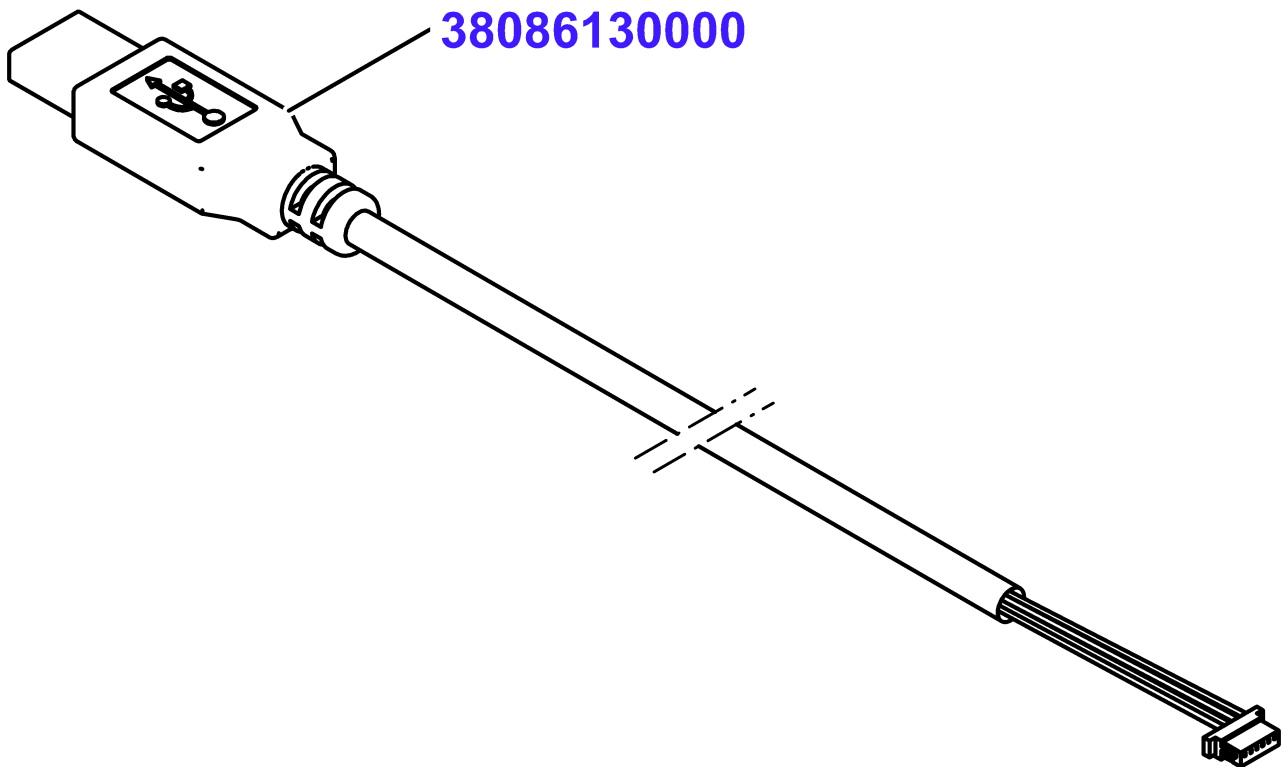
Accessories Kit for automatic Slicer



Accessories Kit for automatic Slicer


Material No.	Qty	Material description	available for order	Wear part	Recomm. sp. part	Metr. relevance
38187607000	1	Protective bag 400x300	✓			
95900601030	1	Machinery oil H1 30ml	✓			
40950000176	1	Brush 160x16	✓			
60220007500	1	Paper Felt	✓			
50002910000	1	Hand Brush 6-Row 110X290X30	✓			

VSI calibration touch controller



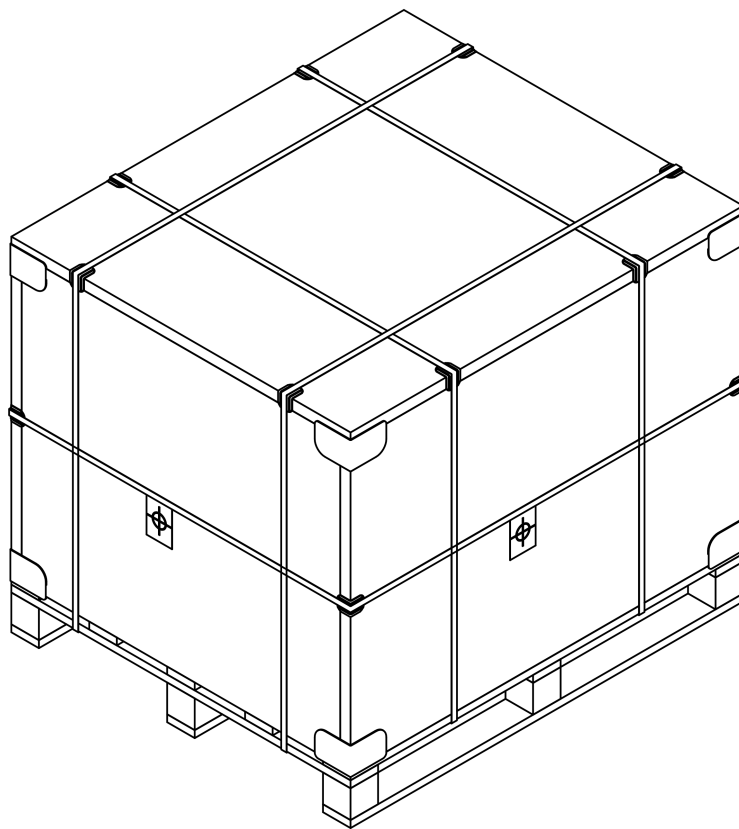
VSI calibration touch controller

Material No.	Qty	Material description
38086130000	1	Ka Rd 4xAWG28 0,25m

	available for order
	Wear part
	Recomm. sp. part
	Metr. relevance


Packages

38019528001



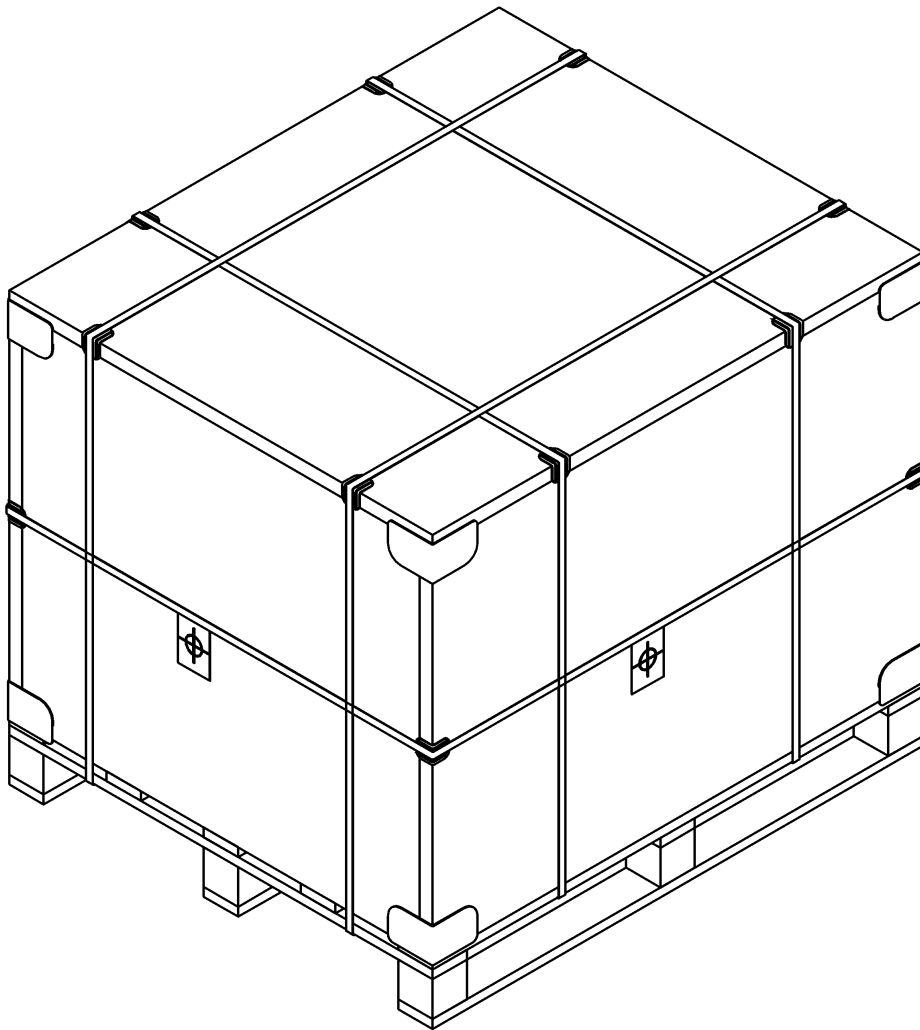
Packages

Material No.	Qty	Material description
38019528001	1	Packing VSI short

	available for order	Wear part	Recomm. sp. part	Metr. relevance
---	---------------------	-----------	------------------	-----------------


Packages

38019528002



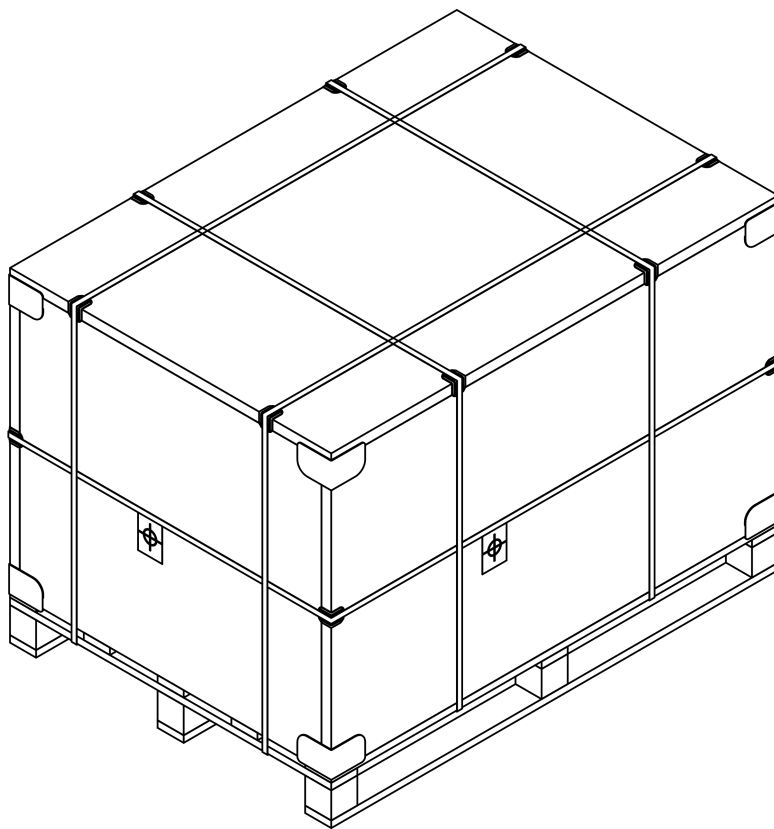
Packages

Material No.	Qty	Material description
38019528002	1	Packing VSI short

	available for order
	Wear part
	Recomm. sp. part
	Metr. relevance


Packages

38019533001



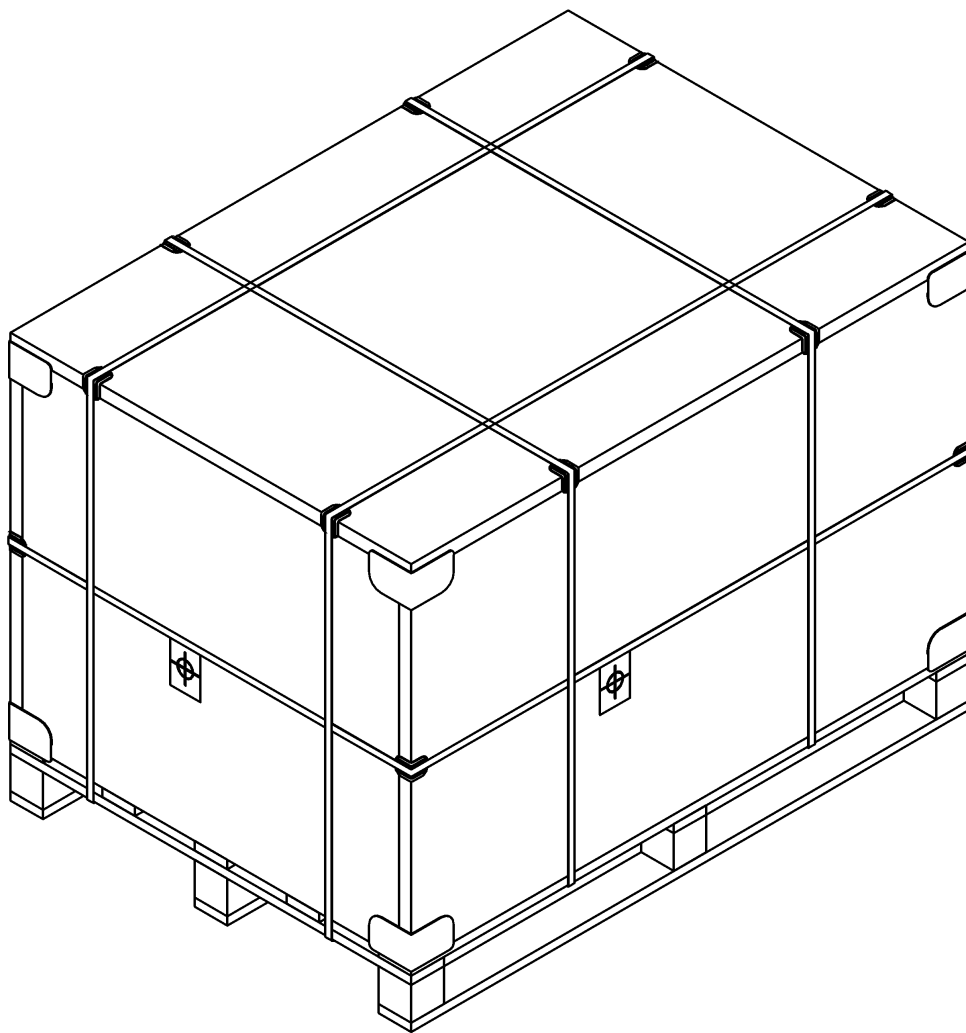
Packages

Material No.	Qty	Material description
38019533001	1	Packing VSI long

	available for order
	Wear part
	Recomm. sp. part
	Metr. relevance


Packages

38019533002



Packages

Material No.	Qty	Material description
38019533002	1	Packing VSI long

	available for order
	Wear part
	Recomm. sp. part
	Metr. relevance

Index

Material No.	Material description	Page
...	Carriage stroke 240mm up to 11540649	243
...	Carriage stroke 240mm up to 11540649	417
...	Carriage stroke 270mm as from 11540650	243
...	Carriage stroke 270mm as from 11540650	417
38000471000	Cover Motor Tower	81, 105
38000944000	Shim ring DIN988-14x20x0,15	747, 753, 769
38001641000	Ka Li BK 1qmm 0,080m	23, 27, 31, 35, 39, 43
38002106000	Shoring bolt	145, 151
38002761000	Service kit VSI TW adaption motor FB	605
38004459000	Loctite 648	199, 201, 207, 211, 261, 285, 319, 373, 379, 385, 401, 407, 411, 435, 459, 489, 533, 537, 567, 615, 621, 645, 761, 763, 767, 801, 805
38005320001	Carriage Guide preass	579
38005320002	Carriage Guide preass.	585
38006643000	Plain bearing 10x12x12	379, 411
38007001001	Axis 18x342	325, 331, 495, 501, 539, 549
38007390001	Holder welded	385, 401
38007397000	Cantilever welded	385, 401
38007856002	Latch 17x50,5x30,4	189, 191
38007880000	washer	189, 191
38007882000	thrust washer	189, 191
38007909001	Fixing bolt	199
38008290000	Seal Carriage Plate 705x260x2	425, 449
38008369000	Seal Carriage Plate 521x260x2	251, 275
38008439000	Sealing washer M6	249, 273, 305, 331, 357, 389, 423, 447, 479, 501, 523, 549
38008604000	Cover disc 18x8	793
38008682000	cover disc long	793
38008889001	Mounting Plate cpl	771
38009292001	Slider prem	709
38009448002	Spacer sleeve	197
38009593001	Axis	211
38009906000	handwheel	795
38009954000	bearing bolt	795
38010209000	Stop - Verwendung entfallen	793
38010259000	UVV Sharpener preass. GSP	793
38010304000	Washer	795
38010548000	Housing	795
38010550000	Cam sleeve preass	701
38010783000	pressure washer	211
38010816000	Flat spring 29,5x10x0,6	795
38010862000	Steel star handle 18,85mm, cpl.	793
38010967000	Sealing	75, 99, 581, 587
38010980000	pressure spring	795
38010995001	pressure spring	795
38011029001	Carriage Foot low cpl	357
38011032005	Carriage Foot low mach	387

Index

Material No.	Material description	Page
38011230000	Board cpl	253, 277, 309, 335, 361, 393, 427, 451, 483, 505, 527, 553
38011439001	Carriage Plate welded	257, 281
38011932000	adjusting ring 18mm	211
38011966000	Distance bolt 10x60 M6-M6 In-Out	69, 91
38012119000	CANopen-Compact-Bus-Coupler BK5150	783
38012232000	Washer	615, 617, 621, 623
38012465000	trust washer	581, 587
38012534004	Bearing bracket cpl	205
38012558000	Hexagon nut DIN439-M6-A2	795
38012566003	Motoric Slicing Thickness Adjustment VSI	207
38013120001	switch gauge cleaning assembly	219
38013121001	switch gauge sharpen assembly	219
38013233000	Support	745, 749
38013588002	Ka Rd 4x0,14qmm 1,65m	785
38013665005	Ka Rd 12x24AWG 0,87m	271, 295, 329, 345, 387, 403, 445, 469, 499, 511, 543, 559
38013981000	Carriage Plate 400 preass	249, 273
38013995000	Product Holder non folding NSF cpl	249, 273, 423, 447
38014048001	Product Holder Guide NSF cpl	259, 283, 317, 433, 457, 487, 531
38014178004	Ka Rd 5G0,5 1,25m	735
38014185002	Ka Rd 3x2x0,25 0,97m	735
38014190000	Retaining washer S6-A2	77, 101
38014261001	Handle preass	271, 295, 329, 387, 445, 469, 499, 543
38014261002	Handle preass.	345, 403, 511, 559
38014393000	EAC mark	847
38014393001	Plate EAC mark	849
38014449001	Lock	619, 625
38014495000	Patchcable Cat 5e U-UTP UL 1,5m	721, 729
38014578002	Light Barrier RK72/2 cpl. - AL Abgeküнди	677
38014634002	Lock cpl	617, 623
38014635001	Fastener	619, 625
38014777003	Light Sensor HRTR 55/22-XL 1,8m cpl.	681
38014803001	Carriage 400	245
38014804001	Carriage 400 NSF	247
38014807001	Carriage 600	419
38014812001	Carriage 600 NSF	421
38014989000	Sticker "See instruction manual"	851
38015344002	Netting Ribbon	639, 641
38015379002	Cover preass.	581, 587
38015649004	Blade Guard Ring cpl	193
38015827000	Contactoer 100V 1C	39, 43
38015882000	Product Holder Guide	371, 405
38015887001	Side Cover left	371, 373, 405, 407
38015888001	Side Cover right	371, 373, 405, 407
38016222002	Bar	373, 407
38016484000	Cradle Clip C3	23, 27, 31, 35, 39, 43, 69, 91

Index

Material No.	Material description	Page
38016488000	Retaining Ring R3	23, 27, 31, 35, 39, 43, 69, 91
38016956002	Beam with studs	219
38017656000	Warning plate	853
38017686000	Holder Light Barrier preass	677, 681
38017809000	Flexcable FFC 20pol 342mm	579, 585
38018276000	Shim ring DIN988-30x42x0,2	143, 149
38018499000	Thread Bolt	579, 585
38018660001	Magnet preass	271, 295, 329, 345, 387, 403, 445, 469, 499, 511, 543, 559
38018783001	Driving Pin	691
38019042000	Ka Li BK 0,200m	737
38019528001	Packing VSI short	883
38019528002	Packing VSI short	885
38019533001	Packing VSI long	887
38019533002	Packing VSI long	889
38019687000	Location bolt HD 16x10,9 K	199
38019763000	Comp. spring 28x24,8x68,5x11,65-0,89	211
38019897002	Plastic roller cpl	701
38020950000	Mushroom head screw M6x25-A2-70	121
38020990000	Gas Spring Carriage 400 cpl	249, 273, 305, 357
38021160000	Gas Spring Carriage 600 cpl	423, 447, 479, 523
38021201000	Wing screw M6x10-1.4308	385, 401
38021669000	Threaded flange bolt	745, 749
38022317001	light barrier RK72/2	679
38022324002	light sensor HRTR 55/N-XL,1800-Y2	683
38022377001	Drive Part cpl	615, 621
38022819000	Mushroom head bolt DIN603 M6x40-A2-70	747, 753, 769
38022882001	Connecting Rod preass	747, 753, 769
38022925005	Bearing bracket preass	211
38022965002	Power Supply 220-240V cpl	11
38022965003	Power Supply 220-240V cpl	13
38023142002	Power Supply 100-120V cpl	15
38023142003	Power Supply 100-120V cpl	17
38023436000	GROOVED BALL BEARING 627 2RSVA WITH BARR	701
38023437000	Grooved Ball Bearing 608 2RSVA with Barr	701
38023683000	Thermal Pad 38x52x0,2 pink	25, 29, 33, 37, 41, 45
38023697000	Toothed belt 9 S3M3x225	689, 693
38023705000	Toothed belt 20 S5M5x410	231
38023711000	Toothed belt 20 S5M5x1000	231
38023711001	Toothed Belt STS 200 HP S5M 1000 NG	239
38023714000	Grooved ball bearing DIN625 8x22x7	691
38023910001	Option Scale Terminal bottom cpl	773
38025716000	stop pin	181
38025717003	Blade Removing Bolt preassembled	181
38026188000	Plain bearing 18x20x15	379, 411
38028810000	adjusting bolt	201
38029152000	seal CT501	721, 727
38029603000	Protective plug 7x3,2x1,3-PE	111

Index

Material No.	Material description	Page
38030419000	thrust washer	77, 101
38031197001	Thread Bolt M4	67, 79, 89, 103
38032111003	Lever	219
38033279003	Fixing Block	213
38033783001	Torsion Spring 13,4x5,1x1,2x15/20	547, 563
38034181000	Driver premounted	213
38036025000	Motor VS 12 DRS 100V/50HZ thermal prot.	147, 153
38036078002	torsion spring left	261, 285, 319, 435, 459, 489, 533
38036187000	cover	261, 285, 319, 435, 459, 489, 533
38036193002	Cylinder screw DIN912 M10x30-A2-70	205
38036225000	seal	261, 285, 319, 435, 459, 489, 533
38037789000	shaft	291, 441
38038401000	washer	261, 285, 319, 349, 435, 459, 489, 515, 533, 569
38038403001	Bushing 19,1x10,7x5	261, 285, 319, 349, 435, 459, 489, 515, 533, 569
38038982000	Gripper Shaft cpl.	265, 289, 323, 347, 383, 413, 439, 463, 493, 513
38038989000	Gripper Shaft cpl.	265, 289, 323, 347, 383, 413, 439, 463, 493, 513
38038997000	Gripper Shaft cpl.	383, 413
38043011000	Torsion Spring	701
38044136000	LOCKING SCREW	291, 325, 441, 495, 539
38044136001	Handle with screw M6 x 14,75	343, 509, 557
38044231000	Protection Cap Flangehousing	69, 91
38045862000	Toothed Washer DIN 6797-A 6.4-A2	79, 103
38047246000	Protective plug 15x8x6,9-PE	123, 133
38047482001	Holder cpl.	23, 27, 31, 35, 39, 43
38048104000	Oval-head screw ISO14583 M3x4-A2-70-T10	731
38048118000	Oval-head screw ISO14583 M6x20-A2-70-T30	689, 693
38048120000	Oval-head screw ISO14583 M6x25-A2-70-T30	793
38048172000	Cylinder screw ISO14579 M4x16-A2-70-T20	199
38048258000	Cylinder screw ISO14579 M8x20-A2-70-T45	65, 87
38048278001	weighing cell with cable 1,30m	609, 613
38049335000	Thermal Pad	25, 29, 33, 37, 41, 45
38049597001	Top Hat Rail L250	781
38050013007	Bearing Pedestal	147, 153
38050314000	Support motortower cpl	65, 87
38050679004	Motor Long Carriage BG75x75	231, 235
38050679005	Motor Long Carriage BG75x75	239
38050732002	Depositing Arm Lever cpl	745
38050732004	Depositing Arm Lever cpl.	749, 765
38050845000	Deflector Ring	261, 285, 319, 349, 371, 435, 459, 489, 515, 533, 569
38050845001	Deflector ring 25x20,2x7	405
38051129002	Spacer Stud	639, 651, 659
38051130002	Guiding Bar	639

Index

Material No.	Material description	Page
38051134005	Side Part	639
38051136003	Drive Shaft preass	639, 641
38051137003	Bolt	639, 641
38051139004	Conveyor Belt 325mm cpl.	627
38051150006	Conveyor Scale prem	607
38051150007	Conveyor Scale prem	611
38051154005	Carrier Sheet Metal	609
38051154006	Carrier Sheet Metal	613
38051156002	Spacer	609, 613, 615, 621
38051157004	Distance	609, 613
38051158002	Drive Part cpl	611
38051265001	Spacer	651, 659
38051266001	Axis	639, 653, 661
38051267007	Conveyor Belt 910mm cpl	629
38051267009	Conveyor Belt 910 mm cpl	631
38051281003	Axis	609, 613
38051316001	Netting Ribbon	653, 661, 669
38052106002	Shaft	111
38052243001	Sliding Bolt mount.	645, 651, 659, 667
38052954006	Plate	655
38053387008	Blade Guard Ring	199
38053881002	Bolt 14f8 x 48	581, 591
38053882002	Eccentric Bolt 15f8 x 48	581, 589
38053903002	Clamping Plug	579, 585
38053905004	Carriage Shaft 25 x 579,5	579, 585
38053906004	Guide rail 28 x 15 x 400	579, 585
38053907002	eccentric	579, 585
38053929003	Stop Bolt	271, 295, 329, 345, 387, 403, 445, 469, 499, 511, 543, 559
38053930002	Shaft 12f7 x 115	579, 585
38053945001	Board	253, 277, 309, 335, 361, 393, 427, 451, 483, 505, 527, 553
38053947001	Mounting with Shaft	385, 401
38053948002	Flange	251, 275, 307, 333, 359, 391, 425, 449, 481, 503, 525, 551
38053972002	Guide Rail 400er	251, 275, 307, 333, 359, 391
38054087002	Mounting Bracket	77, 101
38054089002	cover inside	75, 99
38054098002	Seal	75, 99
38054179000	Set screw DIN438 M8x10-A2-70	261, 285, 319, 349, 373, 407, 435, 459, 489, 515, 533, 569
38054219008	Blade Drive VSI cpl	139
38054234003	Sealing	583, 593
38054302000	Gasket	257, 281, 315, 341, 367, 399, 431, 455, 485, 507, 529, 555
38054360000	Carriage drive cpl	225
38054360001	Carriage drive cpl	227
38054360002	Carriage Drive cpl.	229
38054361001	Bearing housing cpl	231, 235, 239

Index

Material No.	Material description	Page
38054363001	Guide roller cpl	231, 235, 239
38054461000	Plate	257, 281, 315, 341, 367, 399, 431, 455, 485, 507, 529, 555
38055215003	Bolt	709
38055298006	Plate	705
38055365008	Interlock	271, 295, 329, 387, 445, 469, 499, 543
38055378004	Hexagon nut	271, 295, 329, 345, 387, 403, 445, 469, 499, 511, 543, 559
38056112004	Gauge Plate	221
38056195005	Depositing Arm Lever soldered	747
38056198003	Bearing Bushing preass	747, 753, 769
38056448003	Coupling Element	639, 641, 645, 653, 661, 669
38056697003	Depositing Arm cpl	755
38056697005	Depositing arm cpl	757, 765
38056785002	Support bottom	199
38056916001	stop cpl	747, 753, 769
38057018000	Protective cap AK22RRSW	735, 739
38057041000	Set screw ISO4026 M6x30-A2-70	207
38057360002	Bolt cpl	373, 407
38057374000	Hexagon nut ISO7042-M10-St	205
38057528001	Cover 255,4x177,4x2	251, 275, 307, 333, 359, 391
38057548001	Seal	253, 277, 309, 335, 361, 393, 427, 451, 483, 505, 527, 553
38057559001	Seal Cover	251, 275, 307, 333, 359, 391
38057598000	Ka Li GN/YE AWG18 0,22m	67, 89
38057643002	Plate	129, 133
38057723003	Cover 378x119,1x2	425, 449, 481, 503, 525, 551
38057735002	Guide Rail 600er	425, 449, 481, 503, 525, 551
38057740001	Seal long	425, 449, 481, 503, 525, 551
38057747002	Threaded Bolt M12x1x14	215
38057764007	Terminal Mounting Kit top cpl.	713
38057765003	Terminal Front cpl	715
38057765005	Terminal Front cpl.	717
38057769005	Terminal Mounting Kit bottom cpl	719
38057770003	Distance Piece	735
38057976000	K-Bus Termination Fitting KL9010	783
38058121002	Bolt 15 x 25	231, 235, 239
38058149000	2-Channel Digital Output Terminal 24VDC	783
38058151000	2-Channel Digital Input Terminals 24VDC	783
38058289002	Sealing	71, 95
38058484000	Hexagon screw DIN933 M5x55 A2-70	735
38058837001	Adapter	793
38058840003	Clamp piece	793
38058899004	Mounting Conveyor Scale cpl	597
38058899005	Mounting Conveyor Scale cpl	599
38058901002	Sealing	581, 589
38058905002	Cover	581, 589
38058933006	Mounting Conveyor cpl	601

Index

Material No.	Material description	Page
38058934000	Drive Roller preass	645, 653, 661, 669
38058941000	Light Barrier with Holder cpl	673
38058974001	Tappet	703
38058976006	Slider Mounting cpl	703
38058991000	Slider cpl	703
38058995003	Bushing	701
38059010003	Catching Bolt	69, 91
38059015006	Slider Mounting	705
38059028010	Chainframe stainless cpl. VSI	697
38059167000	Comp. spring 9,5x7,7x43x13,49-0,86	709
38059518003	Gauge plate C	223
38059616001	Terminal Front and CPU	721
38059616003	Terminal Front and CPU	727, 729
38059871001	Gasket	233, 237, 241
38060032001	Sealing	73, 97
38060110003	Setup preass.	129
38060116002	Cover Drivehousing prem	67, 93
38060163002	Sealing	251, 275, 307, 333, 359, 391, 425, 449, 481, 503, 525, 551
38060220002	Setup VSI w. Service Cover cpl.	125
38060260002	Frame with Installation Bars	135
38060295008	Housing Te W Dt	47
38060296008	Housing Te W Db	49
38060298003	Cover	137
38060313004	Service Cover prem.	135
38060321002	Sealing	137
38060561000	Screw seal M6	129, 133
38060597009	Carriage Foot high mach	271, 295, 329, 445, 469, 499, 543
38060848008	Carriage 400 Cast machined	251, 253, 275, 277
38061363001	Cover Motor Tower prem	79, 103
38061364002	Sealing	81, 105
38061502003	Holder	373, 407
38061585002	sealing	251, 275, 307, 333, 359, 391, 425, 449, 481, 503, 525, 551
38061616001	Mounting with Shaft	267, 465
38061628001	Product Supporter top cpl	249, 447
38061639001	Product Supporter top NSF cpl	273, 423
38061640001	Mounting welded	291, 325, 343, 441, 495, 509, 539, 557
38061644000	Fixing axis scale cpl	51
38061810001	Screw Nut	261, 285, 319, 373, 407, 435, 459, 489, 533
38061826004	Holder	261, 285, 319, 435, 459, 489, 533
38061833005	Product Holder Guide	261, 285, 319, 435, 459, 489, 533
38061839003	Bolt NSF cpl	261, 285, 319, 435, 459, 489, 533
38061844001	Sleeve	261, 285, 319, 435, 459, 489

Index

Material No.	Material description	Page
38061844001	Sleeve	533
38062047011	Frame cpl. VSI	701, 703
38062109001	Distance Piece	701
38062110005	Fixing mach Schubert-Salzer	701
38062917001	Carriage Plate Template preass	423, 447
38062958001	Spacer	523, 549
38062959002	Angle	523, 549
38063150004	Ka Rd 5G0,5 1,65m	737
38063163003	Ka Rd 4x0,14 1,30m	783
38063164003	Ka Rd 4x0,14 1,15m	785, 787, 789
38063176002	Ka Rd 4x0,14 0,66m	85, 109
38063180003	Ka Rd 4x0,14 1,05m	85, 109
38063189004	Ca Rd 2x0,75 0,29m	85, 109
38063227003	Ka Rd 8x2x0,14 0,50m	85, 109
38063233002	Ka Rd 2x0,75 0,77m	85, 109
38063236004	Ka Rd 3x2x0,25 1,35m	737
38063237004	Ka Rd 2x2x24AWG 0,87m	85, 109
38063238003	Ka Rd 2x2x24AWG 0,29m	85, 109
38063240003	Ka Rd 2x2x24AWG 0,15m	783
38063245003	Ka Rd 4x0,14qmm 0,70m	787, 789
38063248003	Ka Rd 2x0,34 1,05m	85, 109
38063249007	Ka Rd 2x2xAWG26 0,38m	85, 109
38063261002	Sensor product feeding 1 VSI	253, 277, 309, 335, 361, 393, 427, 451, 483, 505, 527, 553
38063262003	Sensor product feeding 2 VSI	253, 277, 309, 335, 361, 393, 427, 451, 483, 505, 527, 553
38063351002	Screw	205
38063445001	Product supporter cpl	199
38064093000	Light Sensor with Holder cpl	675
38064354002	Gauge plate base preass	205
38064413008	Blade Guard Ring preass	197
38064424004	Carriage Foot high cpl	249, 273, 305, 423, 447, 479, 523
38064470008	Gauge plate drive VSI cpl	203
38064488002	Connector ribbon cable	75, 99
38064519003	Carriage 400 cpl	249, 273
38064523003	Carriage 600 cpl.	423, 447
38064573002	Grinder VSI 330 cpl.	791
38064574000	Accessories Kit for automatic Slicer	873
38064575002	Carry Handles Set VSI	53
38064576005	Blade cover cpl.	185
38064577003	Blade cover cpl. C	187
38064629002	Motor cpl	143, 149
38064640003	Blade bearing cpl	143
38064681003	Depositing Drive cpl	741
38064681005	Depositing Drive cpl	743
38065278001	Drive Chainframe cpl	685
38065278002	Drive Chainframe cpl	687
38065295002	Chaindrive preass	689, 693

Index

Material No.	Material description	Page
38065308000	Chain Drive Shaft cpl	689
38065308001	Chain Drive Shaft cpl	693
38065411000	Clamp cpl	147, 153
38065468002	Belt Pulley Z 42 HTD 3M	689, 693
38066055001	tube	77, 101
38066284000	Handle	257, 281, 431, 455
38066374001	Chain	703
38066532000	Cable set standard	65, 87
38066789001	USB-Socket RRJ USB 0.28m	735, 739
38066866001	Tappet	143, 149
38067026001	Depositing Magnet	745, 751
38067253003	Stop	581, 587
38067637008	Carriage 600 cast machined	425, 427, 449, 451
38067777001	Blade 330 C Slayer Service	155
38067989000	O-ring 58,42x2,62 NBR	145, 151
38068508001	Adaption bolt	211
38068539002	Setup VSI cpl.	127
38068570002	Setscrew	581
38068570003	Hexagon Screw M16xM10x30x19 CuZn	587
38068904003	Housing, display 260,4 x 161,3 x 80,3	735, 739
38069023002	Holding Block 40x6x20	583, 593
38069189002	Bushing	609, 613
38069192002	Bolt	609, 613
38069228004	Mounting Plate	609
38069228005	Mounting Plate	613
38069275002	Distance M8	609, 613
38069288004	Mounting	615
38069309004	Mounting	617
38069426002	flange	231, 235, 239
38069427002	Traverse 125x135x8	231, 235, 239
38069450003	Mounting Kit top cpl	737
38069718003	Plate 107x54x20	615, 617, 621, 623
38069774003	Bolt	615, 617, 621, 623
38069969000	Ca Stw BK AWG18 0,160m	23, 27, 31, 35, 39, 43
38070049001	Washer	615, 617, 621, 623
38070066001	Cover	69, 91
38070080000	Washer	253, 277, 309, 335, 361, 393, 427, 451, 483, 505, 527, 553
38070090000	Sealing	253, 277, 309, 335, 361, 393, 427, 451, 483, 505, 527, 553
38070318002	Locking axle 16x295	617, 623
38070456001	Axis 265x12	647, 655, 663, 671
38070559002	Handle preass	113
38070606000	Cover prem	69, 91
38070612003	Beam preass	207
38070632001	Axis	617, 623
38070661001	Sealing	609, 613
38070669001	lever	219

Index

Material No.	Material description	Page
38070671002	Support rail	207
38070678002	Conveyor Mounting cpl	649
38070679002	Conveyor cpl	649, 657
38070904002	Spacer	207
38071042000	Hexagon Screw DIN 933 M5x25 A2-70	353, 407, 519, 573
38071078000	bar	379, 411
38071104001	Bottom Plate with Installation Bars	131
38071144001	Mounting Plate	781
38071145001	Protection Plate	79, 103
38071250000	Nut	793
38071339002	Handle long preass	113
38071862000	brake pad	265, 289, 323, 347, 383, 413, 439, 463, 493, 513
38072057000	Washer DIN 125-A 4,3-PA6 38072057000	253, 277, 309, 335, 361, 393, 427, 451, 483, 505, 527, 553
38072286002	Sealing	131, 135
38072508000	O-ring 10x1,5 NBR	711
38072779000	Pulley cpl	639, 641
38073149000	Washer	649, 657
38073213002	Carriage Plate welded	431, 455
38073889000	Cylinder screw DIN912 M4x6-A2-70	737
38073996000	Distance bolt SW7x6 M4-M4 In-Out	253, 277, 309, 335, 361, 393, 427, 451, 483, 505, 527, 553
38074013000	Shim ring DIN988-25x35x0,1	251, 275, 307, 333, 359, 391, 425, 449, 481, 503, 525, 551
38074016000	Warning Label Danger of Cuts SL50mm	855
38074167000	Contacto 220-240V/40-450Hz B7-30-10	23, 27
38074236000	Contacto 110-127V/40-450Hz B7-30-10	31, 35
38074338000	Thermistor NTC 5 Ohm 20% 6,7W 9,5A	23, 27, 31, 35, 39, 43
38074804000	Ca Rd 2x0,5qmm 0,45m	23, 27, 31, 35, 39, 43
38074856000	Feeder Adapter	537, 567
38075057000	Hexagon Screw DIN 933 M6x45-A2-70	77, 101, 209, 211
38075271000	guide sign risk to cut BRA	857
38075543000	Mounting Pin	261, 285, 319, 349, 373, 407, 435, 459, 489, 515, 533, 569
38075547000	Parallel Pin 8x15	261, 285, 319, 349, 373, 407, 435, 459, 489, 515, 533, 569
38075827000	Clip Ferrite 4,5-8mm	27, 35, 43
38076224000	Washer 6,2x20x2	537, 567
38077052000	Screwless End Clamp	23, 27, 31, 35, 39, 43, 781, 783
38077279000	Disk	197
38077332003	Thrusted washer 13,8x8,2x0,18	129, 133, 197, 701
38077348000	Disk	197
38077825000	Shim ring DIN988-3x6x0,2	745, 749
38077829000	Shim ring DIN988-3x6x0,1	745, 749
38077837000	Brake Pulley	197
38077867000	Magnet Base	261, 285, 319, 349, 373, 407, 435, 459, 489, 515, 533, 569
38078017000	Knurled Nut M10	205

Index

Material No.	Material description	Page
38078110000	Washer	205
38078138000	Set screw ISO4026 M10x60	205
38078241000	Gear Wheel	251, 275, 307, 333, 359, 391, 425, 449, 481, 503, 525, 551
38078714000	Ca Rd 2x0,75qmm 0,38m	23, 27, 31, 35, 39, 43
38078918000	Hexagon Screw M4x8 A2-70 rounded head	701
38079006000	Screw Plug Motor cpl	55
38079007000	Screw Plug Light Barrier cpl	57
38079008001	Screw Plug Machine Housing cpl	59
38079016000	Screw Plug Drive Housing cpl	61
38079079000	Driver	701
38079377000	Warning Label max Product weight	859
38079863001	Castor cpl	805
38079967000	Option I/O-Module	775
38080079000	I/O M12 Connector	783
38080336000	Blade 330 Cr Chiaravalli Service	157
38080797000	Star Knob	711
38080913000	Fastener	683
38080991001	Shaving Deflector	699
38081297001	Deflector 330 VSI machined	201
38081300001	Deflector preass	195
38081323000	Sleeve Bearing 1012-5	639, 641, 645, 653, 661, 669
38081340000	Mounting preass	199
38082171000	Fastening Clip 3mm closed metal	67, 89
38082384000	Carriage Plate 400 preass	357, 389
38082423000	Clamping plate	711
38082427000	Carriage Plate 400 preass	305, 331
38082431000	Carriage Plate Template preass	479, 501, 523, 549
38082433000	Carriage 400 with Peaks	297
38082441000	Carriage 400 NSF	299
38082457000	Carriage 600 NSF	471
38082476000	Carriage 600 template	473
38082477001	Carriage 600 cast machined	481, 483, 503, 505, 525, 527, 551, 553
38082541001	Carriage 600 cpl.	479, 501, 523, 549
38082643004	Stand mobile cpl	797
38082722002	Carriage 400 Cast machined	307, 333, 359, 391
38082723001	Carriage 400 cpl	305, 331, 357, 389
38082937000	Lever compl for the Product Holder	371, 405
38082945000	Product Holder folding upwards preass	369
38082945001	Product Holder folding upwards preass.	389
38082951000	Product Holder folding upwards cpl	357
38082955000	Product Supporter horizontal cpl	357, 389
38083128001	Shaft preassembled	711
38083132001	Product Holder cpl. VSI	317, 331, 487, 501
38083144000	Product Holder non folding NSF cpl	305, 479
38083154002	Lever	809
38083162000	Product Supporter top NSF cpl	305, 479, 523

Index

Material No.	Material description	Page
38083162002	Product Supporter top NSF cpl	331, 501, 549
38083169001	Carriage guide cpl.	575
38083169002	Carriage Guide cpl.	577
38083190001	Lever cpl.	805
38083207002	Stand stationary cpl	799
38083256000	Protective plug 17,1x16,2x8-PE	197
38083947000	Distance bolt SW7x45 M4-M4 In-Out	23, 27, 31, 35, 39, 43
38084400000	Machine Housing cpl.	65, 87
38084405002	Motor Tower Dt cpl	65
38084407002	Motor Tower Db cpl	87
38084449003	Drive Housing Te W Dt cpl	65
38084450003	Drive Housing Te W Db cpl	87
38084720000	Option Scale Terminal top cpl	777
38084720001	Option Scale Terminal top cpl	779
38084852000	Power Connection Cable AC EURO L2,5m cpl	811
38084853000	Power Conn. Cable USA CAN cpl	813
38084890000	Cap preass	271, 295, 329, 345, 387, 403, 445, 469, 499, 511, 543, 559
38086126000	Motor Product Feeding BG42x15 cpl	253, 277, 309, 335, 361, 393, 427, 451, 483, 505, 527, 553
38086130000	Ka Rd 4xAWG28 0,25m	881
38086177000	Covering Cap Set Carry Handles	63
38086202001	Name Plate VSI	839
38086202002	Name Plate VSI	841
38086259000	VSI calibration touch controller	875
38087414000	metal sheet insert cpl mach	523, 549
38087470000	Ka Li GN/YE AWG18 0,5m	129, 133
38087604000	Connector Metal Bayonett RJ45 Ethernet	69, 91
38087984000	Bolt	761
38088223000	Fastening Socket 9mm 38088223000	79, 103
38089962000	Protective Hood VSI cpl	877
38090248000	Magnet Vacodym 370 wz round 10x4 preass	261, 285, 319, 349, 373, 407, 435, 459, 489, 515, 533, 569
38090809000	Depositing angle preass	761
38091635000	Spirit Level preass	801, 805
38091672001	Power Supply 100V cpl	19
38091672003	Power Supply 100V cpl	21
38091889000	Power Connection Cable UK cpl.	815
38091890000	Power Connection Cable AU cpl.	817
38091891000	Power Connection Cable BR cpl.	819
38092188000	Blade 330 Groove Cr G&B - Service	159
38093076000	Packaging Stand mobile VSI cpl	805
38093077000	Packaging Stand stationary VSI cpl	801
38093767000	Wave Washer 36x25,2x3	379, 411
38097519000	Sleeve 18 x 10 x 24.25	309, 335, 361, 393, 483, 505, 527, 553
38098326000	Power Connection Cable CH cpl.	821
38098327000	Power Connection Cable AR cpl.	823
38099340001	Carriage Plate welded	367, 399

Index

Material No.	Material description	Page
38099345001	Carriage Plate welded	315, 341
38099348002	Carriage Plate welded	485, 507, 529, 555
38099356001	Holder preass.	323, 347, 493, 513
38099371000	Bearing rail preass.	379, 411
38099374010	Rubber Buffer	581, 587
38099376001	Handle	315, 341, 367, 399, 485, 507, 529, 555
38100135001	Flat Seal Carriage Plate 400	307, 333, 359, 391
38100136001	Flat Seal Carriage Plate 600	481, 503, 525, 551
38100407000	Product Holder Template cpl	523
38100408000	Product Holder cpl. Carriage guide ruler	531, 549
38100409000	Product Holder with guide feeder	537, 567
38100566000	Cable gland Skintop ST-M M16x1,5 black	613, 827, 829, 831, 833, 835
38100643002	Nameplate VSI330 F TW BRA	843
38100643003	Nameplate VSI F T BRA	845
38100991000	Carriage Foot low hygienic mach	403
38100993000	Carriage Foot high hygienic mach	345, 511, 559
38101899000	Cap nut DIN986-M4-A2	181, 645, 669, 721, 727
38103321002	Blade Removal Device preassembled	179
38103323001	Safety Disk 331,5x3	181
38103348002	Blade removal device 330 V2A	169
38103372001	Cover	183
38103484000	Gear Wheel	307, 333, 359, 391, 481, 503, 525, 551
38103487000	Ring	313, 339, 365, 397
38103488000	feed spindle ass.	307, 333, 359, 391
38104044000	Torsion spring left	349, 515, 569
38104074001	Bolt NSF cpl	349, 515, 569
38104363000	Interlock	345, 403, 511, 559
38104587001	Feedspindle 721xTR20X12 ass.	481, 503, 525, 551
38104792000	Shim ring DIN988-10x16x0,1	701
38105040001	Product Holder Guide	349, 515, 569
38105058001	Bushing 19,5/18x10,2x21	349, 515, 569
38105330002	Ring Plate	181
38105347000	Parallel key DIN6885-A 5x3x14	307, 333, 359, 391, 481, 503, 525, 551
38105535000	Toothed belt 10 5x410	235, 239
38105536000	Toothed belt 10 5x1000	235
38105667001	Blade 330 1.4034 HCov 2M6 Slayer	171
38105849000	Cap nut-M6 -1.4404	75, 99, 231, 235, 239
38106157000	Sealing Gauge Plate with Stiffening Ring	205
38106634000	Lock Nut ISO 10511-M4-A4-70 38106634000	189, 191, 737
38106851000	Power Connection Cable DK cpl	825
38106901000	Cover preassembled	179
38106905000	Centering Pin	183
38106967000	Distance Plate	181
38107971000	Blade 330 Cr HCov 2M6 Chiaravalli	173
38109135000	Grooved nut M12 x 0.5	349, 515, 569
38109636000	Shim ring DIN988-12x18x0,2	349, 515, 569

Index

Material No.	Material description	Page
38109639000	Safety plate DIN5406-MB1	349, 515, 569
38109705000	Shaft seal 12x18x3	349, 515, 569
38110921001	Blade Bearing one-piece cpl.	149
38111007000	Blade Drive one-piece VSI cpl.	141
38111119000	Blade 330 1.4034 HCov 2M6 Slayer Service	175
38111166000	Blade 330 1.4034 HCov Slayer	161
38111167000	Blade 330 1.4034 HCov Slayer Service	163
38112254001	Setup w. Service Cover preass.	133
38112257000	Washer 14.15x24x1	747, 753, 769
38112386000	Product Holder Guide NSF cpl	331, 501, 549
38112388000	Holder	353, 519, 573
38112404000	Spacer plate 40x40x10	353, 407, 519, 573
38113203000	cover	349, 515, 569
38113204000	Seal 47x40x1	349, 515, 569
38113733000	Holder preassembled	349, 515, 569
38114774000	Prog.+PCBA VSI Power Supply 230V + therm	23, 27
38114778000	Prog.+PCBA VSI Power Supply 120V + therm	31, 35, 39, 43
38116413000	Plate 236 x 241 x 4	647, 671
38116429000	Conveyor Mounting cpl	643, 665
38116488000	Netting Ribbon 950 mm	645
38116503000	Conveyor Belt 910 mm cpl	633
38116514000	Spacer Sleeve 4,5 x 10 x 12	645, 669
38116663000	Mounting Conveyor cpl	603
38116704000	Conveyor belt 475 mm cpl	635
38116705000	Conveyor Belt 475 mm prem.	643
38116711001	Side Part 475 x 40 x 4	645
38116739001	Carriage Foot low cpl.	389
38116768000	Gas pressure spring carriage 400 cpl	331, 389
38116888001	Carriage 400 with Peaks	301
38116926002	Ledge preassembled 15 x 387,5	645
38116938000	Bushing 30 x 10,15 x 88,6	641, 645, 669
38116977001	Carriage Foot high cpl.	331, 501, 549
38116978001	Carriage 400 NSF	303
38117001000	Gas pressure spring carriage 600 cpl	501, 549
38117002002	Carriage 600 NSF	475
38117005001	Carriage 600 template	477
38117495000	Mounting 246 x 219 x 4	621
38117496000	Mounting 275,6 x 219 x 4	623
38117709000	Chain Drive Shaft preass	695
38117753001	Nut Plate TR20X12P4	353, 407, 519, 573
38117826000	Threaded bolt DIN 913-M8x80-A2	143, 149
38118039000	Dummy plug hygienic BL-M M16x1,5 V4A	79
38118122001	Side Part 950 x 40 x 4	667, 669
38118125002	Ledge preassembled 877 x 15 x 5	667
38118128000	Conveyor Belt 910 mm prem.	665
38118259000	Ledge preassembled 284 x 15 x 5	641
38118261000	Conveyor Belt 325 mm cpl.	637
38118264000	Side Part 375 x 50 x 4	641

Index

Material No.	Material description	Page
38120405000	Label Softw. License Win Compact 2013 GE	731
38121090000	Plate 236 x 241 x 4	663
38121091000	Conveyor Mounting cpl	657
38122147000	Depositing Arm Lever soldered	753, 769
38124200000	Hexagon nut DIN 439 B M16x1.5-A2	587
38127766000	Depositing Angle cpl.	763, 767
38128023000	Service kit VSI- connect. depositing arm	759
38132202000	Lever with pin	379, 411
38132485000	Washer 6,3x12x0,5	795
38133684001	Plug-in support mounted	645, 669
38139814000	Screw DIN963 M6x12-A2 - Precote 80-8	481, 503, 525, 551
38140048002	Plug for 18x33	735, 737
38146758001	Cover bracket	583, 593
38165868000	Hygienic Cap Nut M6 with Precote 30-8	323, 347, 493, 513, 537, 567
38173451000	Washer 18,1x40x1	379, 411
38177155000	Depositing Magnet preassy.	749
38177171000	Terminal Mounting Kit top preassy.	737
38187607000	Protective bag 400x300	879
38189416000	Cover plate	379, 411
38900044000	Shim ring DIN988-6x12x0,5	219
38900056000	Oval-head screw DIN7985 M6x30-A2-70	795
38900060000	Washer DIN125-A-3,5-A2	793
38900065000	Socket Head Screw DIN 912-M6x22-A2-70	747, 753, 769
38900124000	Parallel Pin DIN 7-8m6x40-A2-70	537, 567
38900186000	Cylindrical pin DIN7-4m6x28-A2	385, 401
38900192000	Set screw ISO4026 M3x3-A2-70	213
40110047400	Power Cable Plugtype I 3x0,75 BK 2,5m	829
40110047600	Power Cable Plugtype G 3x1,00 BK 2,5m	827
40110201002	Washer 40x18,15x1 - POM	379, 411
40110201009	Washer	379, 411
40220000202	Plug Black 16x6,5x12,2 Knurled	189, 191
40220102500	roller	581, 589
40220601100	Locking washer 11x5,4x1,5	795
40300900006	slide pin	711
40510200086	Pressure spring	265, 289, 323, 347, 383, 413, 439, 463, 493, 513
40510200211	tension spring	379, 411
40510400159	pressure spring	385, 401
40530203201	push button	265, 289, 323, 347, 381, 415, 439, 463, 493, 513
40530203302	sliding piece	265, 289, 323, 347, 439, 463, 493, 513
40530203400	buffer	385, 401
40950000176	Brush 160x16	879
46121300020	Pressure spring 6121300020	385, 401, 653, 661
50001990000	O-ring DIN3771 10x2 NBR	111
50002050000	O-ring DIN3771 27,5x2 NBR	695
50002060000	O-ring DIN3771 37,82x1,78 NBR	735
50002420000	Protective plug 14,5x12,4x9,5-PE	761, 763, 767

Index

Material No.	Material description	Page
50002910000	Hand Brush 6-Row 110X290X30	879
50003040000	Protective plug 11x5x6-PE	201
50003160000	Protective plug 5x3x5,8	679
50003410000	Wiper ring 30x20x7	251, 275, 307, 333, 359, 391, 425, 449, 481, 503, 525, 551
50003640000	O-ring DIN3771 6x1,5 NBR 50003640000	119, 121
50003880000	O-ring 16x3 EPDM	609, 613
50005040000	Plain bearing w. flange 6x12x8x4	147, 153
50009771000	V-ribbed belt 10 PJ 457	143, 149
50010310000	Bizerba Lettering L255 H30	83, 107
50250100000	Grounding Plate 9x17/4.3 D	75, 99, 131, 137, 721, 729
50281130000	Disc spring 12x4,2x0,5	111
50305490002	V-Sealing Ring 25x33x7,5 coated	745, 749, 765
50373961000	Disc magnet 10x6	199
50383220000	Pivot foot 80x254-M24x230-10°	801, 805
50720600000	Wheel 100x15x37-160	809
50828480000	Protective Plug 11.12249 PE-LD	197
51488600000	Warning Plate Hand Injury 7.29K	271, 295, 329, 345, 387, 403, 445, 469, 499, 511, 543, 559, 861
51977600000	Warning plate with danger arrow 50	79, 103, 863
56036120000	Set screw DIN551 M6x12-14H	379, 411
56047810000	Set screw DIN551 M8x16-PA 66	271, 295, 329, 345, 387, 403, 445, 469, 499, 511, 543, 559
56070490000	Set screw DIN926 M4x6-A2-70	701
56070510000	Set screw DIN926 M4x10-A2-70	691
56081060000	Set screw DIN916 M6x8-A2-70	215, 217
56082290000	Set screw DIN438 M5x10-A2-70	261, 285, 319, 373, 407, 435, 459, 489, 533
56083110000	Set screw ISO4026 M4x4-A2-70	213
56083130000	Set screw ISO4026 M6x45-A2-70	609, 613, 615, 621
56083140000	Set screw ISO4026 M5x12-A2-70	689, 693
56083980000	Set screw DIN916 M6x12-A2-70	199
56086260000	Ball knob DIN319 M6x25 I	263, 287, 321, 351, 377, 409, 437, 461, 491, 517, 535, 571
56086270000	Ball knob DIN319 M8x32 I	265, 289, 323, 347, 383, 413, 439, 463, 493, 513
56113920000	Wood screw DIN97-6x50-4.6	803, 807
56164130000	Cylindrical pin EN 22338-4m6x12-A2	129, 133
56187710000	Cylindrical pin EN 22338-4m6x8-A2	371, 373, 405, 407
56187730000	Parallel/Cylindrical Pin DIN 7-4m6x10-A2	615, 617, 621, 623
56187780000	Cylindrical pin EN 22338-4m6x6-A2	269, 293, 327, 355, 443, 467, 497, 521, 541, 565
56187830000	Cylindrical pin EN 22338-5m6x10-A2	269, 293, 327, 355, 371, 405, 443, 467, 497, 521, 541, 565
56187850000	Parallel Pin DIN 7-5m6x16-A2 561878500	371, 405
56188280000	Cylindrical pin EN 22338-8m6x28-A2	271, 295, 329, 345, 387, 403, 445, 469, 499, 511, 543, 559
56243100000	Cylindrical pin DIN 7-3h11x10-A2-70	265, 289, 323, 347, 383, 413, 439, 463, 493, 513

Index

Material No.	Material description	Page
56265100000	Round-Head Nail DIN 1476-4x10-A2-70	379, 411
56285180000	Grooved Pin DIN 1469-C5x14-6.8	379, 411
56359540000	Grooved Pin DIN 1473-4x6-A2-70	703
56360600000	Grooved Ball Bearing DIN625 10x26x8	251, 275, 307, 333, 359, 391, 425, 449, 481, 503, 525, 551
56366420002	Self-Aligning Ball Bearing 2202	251, 275, 307, 333, 359, 391, 425, 449, 481, 503, 525, 551
56368320002	Angular bearing double-row 15x35x15,9	251, 275, 307, 333, 359, 391, 425, 449, 481, 503, 525, 551
56386060000	Ball DIN5401 6-1.4034	385, 401, 653, 661
56400810000	Lock nut DIN985-M2,5-St	745, 749
56400850000	Locknut DIN 985-M5-A2-70 56400850000	547, 563
56400860000	Locknut DIN 985-M6-A2-70 56400860000	147, 153, 207, 211, 747, 753, 769
56400880000	Lock nut DIN985-M8-A2	143, 149, 211, 581, 589
56413040000	Cap nut DIN917 -M4-A2	679, 683
56413060000	Cap nut DIN917-M6-A2	623
56413080000	Cap nut DIN917-M8-A2	609, 613, 615, 617, 621, 623
56420160000	Cap nut DIN986-M6-A2	183, 249, 257, 273, 281, 305, 315, 331, 341, 357, 367, 389, 399, 423, 431, 447, 455, 479, 485, 501, 507, 523, 529, 549, 555, 643, 665
56435660000	Knurled nut DIN467-M6-A2	207, 211
56444600000	Hexagon Nut DIN 439-BM6-A2-70	77, 101, 119, 181, 213
56444800000	Hexagon nut DIN439-M8-A2	271, 295, 329, 345, 387, 403, 445, 469, 499, 511, 543, 559
56453130000	Thread insert M5x7,5-A2	251, 275, 307, 333, 359, 391, 425, 449, 481, 503, 525, 551
56453180000	Threaded insert Heli-Coil D M6x9	253, 277, 309, 335, 361, 393, 427, 451, 483, 505, 527, 553
56453260000	Threaded insert M10x10	69, 91
56453380000	Threaded insert M10x15	69, 75, 91, 99
56455430000	Hexagon nut DIN934-M4-PA 66	77, 101
56456300000	Hexagon Nut DIN 934-M3-A2-70 56456300000	683
56456400000	Hexagon nut DIN934-M4-A2	131, 137, 581, 587
56456600000	Hexagon nut DIN934-M6-A2	121, 181, 207
56456800000	Hexagon Nut DIN 934-M8-A2-70	261, 285, 319, 349, 373, 379, 407, 411, 435, 459, 489, 515, 533, 569, 745, 751
56456820000	Hexagon nut DIN934-M10-A2	205
56470870000	HEXAGON NUT DIN 439- BM16X1,5- 4	581
56472220000	Hexagon nut DIN439-M12x1-A2	197
56472590000	Hexagon nut DIN439-M8x1-A2	213
56472600000	Hexagon nut DIN439-M10x1-A2-70	371, 405
56709550000	Parallel key DIN6885-A 5x3x16	251, 275, 425, 449
56709980000	Shim ring DIN988-14x20x0,1	747, 753, 769
56739030000	Washer DIN125-A-3-A2-70 56739030000	683
56739040000	Washer DIN 125-A 4.3-A2-70 56739040000	67, 75, 79, 89, 99, 103, 131, 137, 197, 253, 261, 277, 285, 309, 319, 335, 349, 361, 373

Index

Material No.	Material description	Page
56739040000	Washer DIN 125-A 4.3-A2-70 56739040000	385, 393, 401, 407, 427, 435, 451, 459, 483, 489, 505, 515, 527, 533, 553, 569, 679, 683, 703
56739050000	Washer DIN 125-A 5_3 -A2-70 56739050000	353, 407, 519, 573
56739060000	Washer DIN125-A-6-A2	143, 147, 149, 153, 197, 207, 257, 281, 315, 341, 367, 379, 399, 411, 431, 455, 485, 507, 523, 529, 549, 555, 581, 587, 609, 613, 615, 617, 621, 623, 689, 693, 701, 793, 795
56739080000	Washer DIN125-A-8-A2	65, 87, 143, 149, 207, 357, 371, 389, 405, 579, 585, 615, 617, 621, 623
56739100000	Washer DIN125-A-10-A2	205, 809
56739130000	Washer DIN125-A-12-A2	197
56755620000	Washer DIN433-10-PA66	711
56755650000	Washer DIN433-6-A2	795
56765040000	Washer DIN9021-4-A2	639, 701
56765050000	Washer DIN 9021-5_3-A2-70 56765050000	23, 27, 31, 35, 39, 43, 261, 285, 319, 435, 459, 489, 533, 793
56765060000	Washer DIN9021-6-A2	231, 235, 239, 257, 281, 315, 341, 367, 399, 431, 455, 485, 507, 529, 555, 615, 617, 621, 623, 639, 747, 753, 769
56765070000	Washer DIN 9021-8-A2	581, 589, 609, 613, 615, 617, 621, 623
56777410000	Screw seal M4	131, 137, 583, 593
56805541000	Oval-Head Screw ISO14583 M5x8-A2-70-T25	75, 99
56806411000	Oval-Head Screw ISO 14583-M4x6-T20-A2-70	219, 253, 277, 309, 335, 361, 393, 427, 451, 483, 505, 527, 553
56806450000	Oval-Head Screw ISO 14583-M4x8-T20-A2-70	23, 27, 31, 35, 39, 43, 67, 69, 79, 89, 91, 103, 721, 729, 731, 745, 749
56806460000	Oval-head screw DIN7985 M4x16-A2-70	215
56806461000	Oval Head Screw ISO14583-M4x16-T20-A2-70	23, 27, 31, 35, 39, 43
56806540000	Oval-head screw DIN7985 M5x12-A2-70	129, 133
56972480000	Mushroom head screw M4x8-A2-70 Tuflok	69, 91, 251, 275, 307, 333, 359, 391, 425, 449, 481, 503, 525, 551, 701, 703, 711
56972500000	Mushroom head screw M4x12-A2-70	67, 79, 89, 103, 181
56972540000	Mushroom head screw M4x10-A2-70	181
56972610000	Mushroom head screw M5x6-A2-70	801, 805
56972770000	Mushroom head screw M6x10-A2-70	119, 129, 133, 423, 447, 479, 501
56972790000	Mushroom head screw M6x16-A2-70	609, 613, 617, 619, 625
56984520000	Pan head screw DIN923 M5x4A2-70	271, 295, 329, 345, 387, 403, 445, 469, 499, 511, 543, 559
57340210000	Hexagon screw DIN933 M3x20 A2-70	683
57429060000	Hexagon screw DIN933 M4x6 A2-70	653, 661
57429080000	Hexagon Screw DIN 933 M4x8-A2-70	69, 91, 581, 583, 587, 593

Index

Material No.	Material description	Page
57429080000	Hexagon Screw DIN 933 M4x8-A2-70	703
57429100000	Hexagon Screw DIN933 M4x10 A2-70	271, 295, 329, 387, 445, 469, 499, 543, 639, 683
57429120000	Hexagon Screw DIN 933-M4x12-A-70	197, 581, 587, 639, 651, 659
57429160000	Hexagon Screw DIN 933-M4x16-A2-7	131, 137, 641, 645, 667, 669, 703
57429200000	Hexagon Screw DIN 933-M4x20-A2-70	373, 407, 653, 661
57429220000	Hexagon Screw DIN 933-M4x22-A2-7	645, 669, 679
57429250000	Hexagon screw DIN933 M4x25 A2-70	679
57429350000	Hexagon Screw DIN 933-M4x35-A2-70	197
57430100000	Hexagon Screw DIN 933-M5x10-A2-7	135, 581, 589
57430120000	Hexagon Screw DIN 933-M5x12-A2-70	199, 261, 285, 319, 349, 435, 459, 489, 515, 533, 569, 649, 657
57430160000	Hexagon Screw DIN 933-M5x16-A2	373
57430200000	Hexagon Screw DIN 933-M5x20-A2-70	253, 277, 309, 335, 361, 393, 427, 451, 483, 505, 527, 553
57431100000	Hexagon screw DIN933 M6x10 A2-70	609, 613, 615, 621
57431120000	Hexagon Screw DIN 933-M6x12-A2-7	253, 257, 277, 281, 309, 315, 335, 341, 361, 367, 393, 399, 427, 431, 451, 455, 483, 485, 505, 507, 527, 529, 553, 555, 615, 617, 621, 623
57431160000	Hexagon Screw DIN 933 M6x16 A2-70	231, 581, 587, 623, 643, 647, 653, 655, 661, 663, 665, 671
57431200000	Hexagon Screw DIN 933-M6x20-A2-7	701
57431250000	Hexagon screw DIN933 M6x25 A2-70	579, 585, 701
57431300000	Hexagon Screw DIN 933 M6x30 A2-70	523, 549
57431410000	Hexagon screw DIN933 M6x40 A2-70	615, 617, 621, 623
57432250000	Hexagon screw DIN933 M8x25 A2-70	579, 585
57432300000	Hexagon screw DIN933 M8x30 A2-70	249, 273, 305, 331, 357, 389, 423, 447, 479, 501, 523, 549, 801, 805
57433250000	Hexagon screw DIN933 M10x25 A2-70	809
57442080000	Countersunk Screw DIN7991 M4x12-A2-70	213
57442120000	Countersunk screw DIN7991 M6x12-A2-70	231, 235, 239
57442160000	Countersunk screw ISO 10642 M6x16-A2-70	129, 133
57442170000	Countersunk screw DIN7991 M6x20-A2-70	231, 235, 239
57442200000	Countersunk screw DIN7991 M8x20-A2-70	579, 585
57450350000	Self-tap screw ISO7049-C3,5x16 A2-50-T15	793
57451370000	Oval-head screw ISO14583 M4x12-A2-70-T20	67, 79, 89, 103
57629520000	Countersunk Screw DIN 963-M5x10-A2-70	249, 251, 273, 275, 305, 307, 331, 333, 357, 359, 389, 391, 423, 425, 447, 449, 479, 481, 501, 503, 523, 525, 549, 551
57630420000	Countersunk Screw DIN963-M4x8-A2-70	251, 261, 275, 285, 307, 319, 333, 349, 359, 391, 425, 435, 449, 459, 481, 489, 503, 515, 525, 533, 551, 569
57630430000	Countersunk Screw DIN 963-M4x10-A2-70	181, 385, 401
57630440000	Countersunk screw DIN963 M4x12-A2-70	379, 411
57630500000	Countersunk screw DIN963 M4x30-A2-70	677, 681

Index

Material No.	Material description	Page
57630530000	Countersunk Screw DIN963 M5x12-A2-70	189, 191, 251, 275, 307, 333, 359, 391, 425, 449, 481, 503, 525, 551
57630620000	Countersunk screw DIN963 M6x12-A2-70	143, 149, 179, 249, 251, 257, 273, 275, 281, 305, 307, 315, 331, 333, 341, 357, 359, 367, 389, 391, 399, 423, 425, 431, 447, 449, 455, 479, 485, 501, 507, 523, 529, 549, 555
57697070000	Cylinder screw DIN84 M3x8-A2-70	69, 91
57697470000	Cheese-Head Cylinder Screw DIN84-M4x8-A2	379, 411, 645
57697480000	Cylinder screw DIN84 M4x10-A2-70	261, 285, 319, 349, 373, 407, 435, 459, 489, 515, 533, 569
57730070000	Oval-Head Cap Screw ISO14583-M4x10T20-A2	75, 99
57730110000	Oval-head screw ISO14583 M5x16-A2-70-T25	793
57730170000	Oval-head Screw ISO14583 M5x10-A2-70-T25	23, 27, 31, 35, 39, 43, 781
57730180000	Oval-head screw ISO14583 M3x16-A2-70-T10	219, 261, 285, 319, 349, 373, 407, 435, 459, 489, 515, 533, 569
57732650000	Cylinder screw DIN84 M4x16	77, 101
57735200000	Cylinder screw DIN912 M5x20-8.8	745, 765
57736120000	Socket Head Screw DIN 912-M6x12-8.8	745
57736160000	SOCKET HEAD SCREW DIN 912- M6X16- 8.8	111
57736300000	SOCKET HEAD SCREW DIN 912- M6X30- 8.8	143
57736350000	SOCKET HEAD SCREW DIN 912- M6X35- 8.8	111
57743020000	Socket Head Screw DIN 912-M4x8-A2-70	79, 103, 751
57743280000	Cylinder screw DIN912 M5x20-A2-70	197, 199, 749
57743380000	Cylinder screw DIN912 M6x10-A2-70	749
57743430000	Cylinder screw DIN 912-M6x20-A2-70	65, 87
57743440000	Socket Head Screw DIN 912-M6x25-A2-70	231, 235, 239
57743450000	Cylinder screw DIN912 M6x16-A2-70	79, 103, 231, 235, 239, 249, 273, 305, 331, 357, 389, 423, 447, 479, 501, 523, 549, 579, 585
57743460000	Cylinder screw DIN912 M6x30-A2-70	149, 609, 613
57743461000	Cylinder screw DIN912 M6x35-A2-70	197, 205, 211
57743470000	Cylinder screw DIN912 M6x40-A2-70	231, 235, 239
57743490000	Cylinder screw DIN912 M6x50-A2-70	147, 153
57743540000	Cylinder screw DIN912 M6x80-A2-70	147, 153
57743670000	Cylinder screw DIN912 M8x20-A2-70	207
57743680000	Cylinder screw DIN912 M8x25-A2-70	143, 149
57743700000	Cylinder screw DIN912 M8x30-A2-70	207, 609, 613
57744870000	Protective plug 10x5,2x3,1-PE	65, 87, 129, 133, 249, 273, 305, 331, 357, 389, 423, 447, 479, 501, 523, 549, 579, 581, 585, 589
57747389000	Cylinder screw DIN7984 M8x20-A2-70	129, 133
57750600000	Retaining washer DIN6799-6	371, 405
57750700000	Retaining washer DIN6799-7	271, 295, 329, 387, 445, 469, 499, 543
57753400000	Retaining Washer DIN6799-4 57753400000	795
57753600000	Retaining washer DIN6799-6	761

Index

Material No.	Material description	Page
57753610000	Retaining Washer DIN6799-7 57753610000	345, 403, 511, 559, 581, 589
57753900000	Retaining Washer DIN6799-9 57753900000	261, 285, 319, 349, 435, 459, 489, 515, 533, 569
57758610000	Toothed washer DIN6797-A 4,3-Fst	67, 75, 79, 89, 99, 103, 131, 137, 253, 277, 309, 335, 361, 393, 427, 451, 483, 505, 527, 553, 721, 729
57767030000	Spring lock washer DIN128-A3-FSt	219
57767040000	Spring lock washer DIN128-A4-FSt	67, 75, 79, 89, 99, 103, 131, 137, 197, 219, 261, 285, 319, 349, 373, 407, 435, 459, 489, 515, 533, 569, 581, 587, 639, 679, 683, 721, 729, 745, 751
57767050000	Spring lock washer DIN128-A5-FSt	197, 199, 261, 285, 319, 349, 353, 373, 407, 435, 459, 489, 515, 519, 533, 569, 573, 581, 589, 745, 749, 765, 793
57767060000	Spring lock washer DIN128-A6-FSt	65, 87, 111, 143, 149, 183, 197, 205, 207, 231, 235, 239, 579, 581, 585, 587, 615, 617, 621, 623, 639, 653, 661, 689, 693, 745, 747, 749, 753, 769
57767080000	Spring lock washer DIN128-A8-A2	143, 149, 207, 249, 273, 305, 331, 357, 389, 423, 447, 479, 501, 523, 549, 579, 585, 609, 613, 801, 805
57767100000	Spring lock washer DIN128-A10-FSt	205, 761
57773140000	Retaining ring DIN471-14x1	747, 753, 769
57773710000	Retaining ring DIN471-6x0,7	205
57773730000	Retaining ring DIN471-8x0,8	639, 651, 659
57773750000	Retaining Ring DIN471-10x1 57773750000	251, 275, 307, 333, 359, 391, 425, 449, 481, 503, 525, 551, 639, 641
57778700000	Retaining ring DIN472-35x1,5	251, 275, 307, 333, 359, 391, 425, 449, 481, 503, 525, 551
57806110000	Clamping pin ISO8750-4x24-A2	211
57920010000	Adjusting Ring DIN 705-A12-A1/M6x6 A2-70	111
60220005700	hexagon screw oval-head M 6x16	385, 401, 609, 613, 639
60220007500	Paper Felt	879
60220110103	Threaded Bolt M12x1 x 14	215
60220402101	cover	547, 563
60220600500	Shaft 12x58	795
60220600700	Shaft 12x54,5	795
60220600900	Cover 71x5.5	795
60220602600	Spacer sleeve 10x6,1x5,5	795
60223400500	Cap M6x10	793
60223401001	Sharpening disc	795
60223401101	Honing Disc	795
60223505802	Bearing Bolt	201
60223506302	cover 11x0,5	199
60240304800	Bushing 6,2 x 12f7 x 15	747, 753, 769
60240501803	Driver 35x14x3	703

Index

Material No.	Material description	Page
60240503100	Hexagon screw DIN 933 M4x10-A2-70	345, 403, 511, 559, 641, 701, 705
60242200501	gear wheel for drive roller	707
60260207302	Control Gear	371, 405
60260310001	strap	67, 89
60266201000	Power Cable Plugtype J 3x1,00 GY 2,5m	833
60270103500	pin	199
60270111302	Washer	197, 641, 645, 669
60270202801	Washer	795
60274601001	Bolt PA - 4,1x4,5	199
60350402001	Protective plug	261, 285, 319, 349, 435, 459, 489, 515, 533, 569
60370103901	Spacer ring 19mm	143, 149
60370104100	Belt pulley PolyV	143
60370104101	Belt pulley PolyV 98,4	149
60370104212	Sealing ring blade 108x84x40	145, 151
60370104302	Hexagon nut M25x1,5 SW30	143, 149
60370104911	Sealing	197
60370106203	Supporting plate	215
60370107502	Spacer 24x15x6	205
60370115300	Spacer ring	207
60370146800	cap rail	23, 27, 31, 35, 39, 43
60370161500	Clamp handle small M 5	547, 563
60376202000	Ka. Rd. 3G1,0qmm 2,5m	831
60380108600	Washer	353, 407, 519, 573
60380205800	SLIDE PIN	261, 285, 319, 349, 373, 407, 435, 459, 489, 515, 533, 569
60386200100	Power Cable Plugtype I 3x1,00 GY 2,5m	835
60510200037	Pinion	265, 289, 323, 347, 383, 413, 439, 463, 493, 513
60510200056	Pan head screw M6x7,1x7	379, 411
60510200081	collar stud	265, 289, 323, 347, 383, 413, 439, 463, 493, 513
60510200112	lock nut	379, 411
60510200113	washer 20 (1mm)	379, 411
60510200132	Washer	379, 411
60510200134	washer 0,5mm	379, 411
60520200143	torsion spring	269, 293, 327, 355, 443, 467, 497, 521, 541, 565
60530101500	Blade 330 Cr Slayer	167
60530106000	Blade 330 Cr 2xM6 G&B	177
60530200062	mounting link	379, 411
60530200067	collar nut	379, 411
60530200500	supporting angle	385, 401
60530202300	PIN	371
60530202301	Pin 27x6 hardened	405
60530202400	slider	537, 567
60530204400	Product holder ass.	369, 389
60530206800	locking handle assembled	371, 405

Index

Material No.	Material description	Page
60530207000	side frame	383, 413
60530207100	Hexagon Screw M4x6 A2-70 Hygiene	383, 413
60530207200	Product holder housing preass.	383, 413
60530208200	cap nut	371, 405
60530300053	lubricating felt	581, 589
60531700501	Axle 10 x 257	639, 641, 645, 667, 669
60531700801	Fixing Axle 12 x 257	641, 645, 667
60531700900	PULLEY	639, 653, 661
60531700901	Roller	645, 669
60531700902	Roller	641
60531701200	guide roller	639, 653, 661
60531702302	Mirror V2A 94x38x1,5	645, 653, 661, 669
60531702601	Washer 40x4,5x3	645, 669
60531901602	Plug-in support	653, 661
60533700800	cover plate 10	653, 661
60540240301	Feed Spindle ass.	251, 275
60540245701	guide shaft	251, 275, 307, 333, 359, 391
60540245900	Handhold 91x28 M16x1 - PA6 black	379, 411
60540246101	lever ass.	379, 411
60540246401	locking device, welded	379, 411
60540246601	Torsion spring left	371, 373, 405, 407
60540246701	Torsion spring right	371, 405
60540246801	Shaft	371, 405
60540246900	pan head screw	379, 411
60540247000	washer	371
60540247001	Washer 10,5x25x1	405
60540247101	spacer bushing	371, 405
60540247300	Star knob M8x18,5	379, 411
60540247400	counter bearing	371, 405
60540247500	counter bearing	371, 405
60540247600	washer	371, 405
60540248400	product supporting plate ass.	369, 389
60540248500	product supporting plate welded	381, 415
60540248700	glide piece	381, 415
60540250402	Nut Plate	261, 285, 319, 375, 435, 459, 489, 533
60540250500	WASHER	373
60540250700	actuator	373, 407
60540251700	spring	385, 401
60540251900	Lever welded complete	385, 401
60540252200	hub preass.	385, 401
60540252801	take up device preassembled	385, 401
60540253400	tightening disk	385, 401
60540260301	Feed Spindle ass.	425, 449
60540260500	ring	255, 279, 429, 453
60540260701	Gear Wheel	251, 275, 425, 449
60540260801	Washer	251, 275, 307, 333, 359, 391, 425, 449, 481, 503, 525, 551

Index

Material No.	Material description	Page
60540261000	bolt	251, 275, 307, 333, 359, 391, 425, 449, 481, 503, 525, 551
60540265600	locking lever mount.	261, 285, 319, 349, 435, 459, 489, 515, 533, 569
60540266101	Bushing complete	261, 285, 319, 435, 459, 489, 533
60540266102	Bushing complete	349, 375, 405, 515, 569
60540266600	hex nut	261, 285, 319, 349, 371, 405, 435, 459, 489, 515, 533, 569
60540268301	guide shaft	425, 449, 481, 503, 525, 551
60540269502	Product holder ass.	259, 283, 433, 457
60540269601	product holder	265, 289, 439, 463
60540269700	Side frame left	265, 289, 323, 347, 439, 463, 493, 513
60540269800	Side frame right	265, 289, 323, 347, 439, 463, 493, 513
60540269901	Gripper Shaft cpl	265, 289, 439, 463
60540269902	Gripper Shaft cpl	323, 347, 493, 513
60540270200	cap nut	265, 289, 439, 463
60540275100	Holder preass.	265, 289, 439, 463
60540276101	HOULDING DOWN DEVICE ASS.	267, 291, 325, 441, 465, 495, 539
60540276102	Holding Down Device ass.	331, 501, 549
60540276201	Holding Down Device preass.	269, 293, 327, 355, 443, 467, 497, 521, 541, 565
60540276701	hub	269, 293, 327, 355, 443, 467, 497, 521, 541, 565
60540277600	self-tapping screw	265, 289, 323, 347, 439, 463, 493, 513
60540277801	LOCKING SCREW	269, 293, 327, 443, 467, 497, 541
60540277802	Handle with screw M6 x 13,55	355, 521, 565
60540305101	bearing block	579, 585
60540318402	Shaft Bearing	111
60540318701	stop pin	349, 515, 569
60540318900	bushing	619, 625
60540501300	stop	703
60540502000	PLASTIC ROLLER WHEEL CPL.	701
60540502100	PLASTIC ROLLER WHEEL, PREASSEMBLED	707
60540503901	guide cam	701
60540504000	sleeve	701
60540504600	cover plate	701
60540507000	bracket cpl.	701
60540801001	depositing arm standard welded	761, 763, 767
60540802000	locknut	761, 763, 767
60540900501	holding bracket	745
60540900502	Holding bracket 48x15x19x2	751
60540900604	Angle	745, 749
60541080001	Metal Sheet Insert cpl.	545, 561
60542403701	mounting	803, 807

Index

Material No.	Material description	Page
60542403800	ACCESSORY KIT FOR BENCH FIXATION	801, 805
60562300602	Side Part	651, 653, 659, 661
60562301502	Guide Rail 858x15x10	651, 659
60562401900	Washer 36x6,5x3	609, 613, 643, 653, 661, 665
60562402201	roller	639, 641
60562502500	light barr. holder for 7103789	679
60610000017	washer	701
60800108400	BRACKET HANDLE 100XM5	189
60800114700	set screw	197
60800114900	Adjusting ring	197
60800116900	Bizerba character font	75, 99
60800198400	Bracket handle C 100 x 32 x 10	191
60804801200	Reference plate "Sharpen and lube daily"	865
60806200200	MAINS CABLE WE DNK	837
60810107611	Sealing	197
60820304102	Spindle	691
60820304200	drive shaft	691
60830912002	Codestrip 4x26	745, 749
60850104310	Sealing	691
60895400152	PCBA Intermediate Board 1	583, 593
60895600150	PCBA Intermediate Board 2	77, 101
60897000155	apalis carrierboard + iMX6 1GB Quad	723
60897000159	Apalis carrierboard + iMX6 1GB Quad	731
60897200155	PCBAP MC 3ph 6ch lv bus	67, 89
60897300156	PCBAP MC 3ph 2ch hv bus	79, 103
60897500156	Bootl.+ PCBA MC 3ph 2ch lv bus	253, 277, 427, 451
60897500157	PCBAP MC 3ph 2ch lv bus	311, 337, 363, 395, 483, 505, 527, 553
60897700102	Weighing module Food	787
60897700103	Weighing module Food	785, 789
63673120800	SPACER BOTTOM/TOP	609, 613
65016000132	Washer DIN125-A-8-PA6	181
65016000133	Washer 5-PA 65016000133	253, 277, 309, 335, 361, 393, 427, 451, 483, 505, 527, 553, 581, 589
65682320101	WASHER 5.1	649, 657
67501163700	REFERENCE PLATE "WARNING INSTRUCTIONS"	867
71004310000	Cabel Tie T18R	23, 27, 31, 35, 39, 43, 869
71004320000	Cable Tie T40R 71004320000	79, 103, 735, 737
71004520000	Flat Cabel Holder 3484-1000	251, 275, 307, 333, 359, 391, 425, 449, 481, 503, 525, 551
71010820000	Cable Gland M16 UL 53111010	609, 837
71037500000	Ferrit Sleeve 74271131	677, 681
71037830000	Linear Increment Encoder HEDS 9200-300	745, 749
71066170000	Blind plug BLK- M16	69, 91
71066180000	Blind plug BLK- M20	345, 403, 511, 559
71066320000	Plug round M12x1,5	117
71066410000	Plug Round M20x1.5	115, 271, 295, 329, 387, 445, 469, 499, 543

Index

Material No.	Material description	Page
71067290000	Spacer 6.4 LPR 8520-M4 71067290000	583, 593
71080560000	Flat Plug 6.3 DIN4634	131, 137
71087550000	Terminal Block 3pol 2,5qmm 280-641	23, 27, 31, 35, 39, 43
71087650000	Intermediate Plate 280-313	23, 27, 31, 35, 39, 43
71169020000	Nylon-Clip 2N	679, 683
71169040000	Nylon-Clips NK-4N	721, 731
71169050000	Cable Clamp nylon 7,4mm NK-5N	271, 295, 329, 345, 387, 403, 445, 469, 499, 511, 543, 559, 721, 729
71169100000	Cable Clamp nylon 14mm NK-10N	67, 89
71400960000	SHORT CIRCUIT BRACKET 3131 731000406	253, 277, 309, 335, 361, 393, 427, 451, 483, 505, 527, 553
71451600000	Fuse T6.3	23, 27
71451870000	Fuse 8,0T UL 215008.P 71451870000	31, 35, 39, 43
71506350000	Battery Lithium Cell CR2032 UL	725, 733
94009990000	Machine sticker Hotline 1020 (70x30)	871
95900601030	Machinery oil H1 30ml	879
95916850000	Dowel 6x10x35	803, 807
95944020001	Silicone Rubber Elastosil E41 90ml	257, 281, 315, 341, 367, 399, 431, 455, 485, 507, 529, 555
95944300000	Kitchen silicone ELASTO4710	261, 285, 319, 349, 435, 459, 489, 515, 533, 569
95972840002	Kleber Loctite 648 10ml. 95972840002_I	181
95972870002	Loctite 638 95972870002	129, 133, 309, 335, 361, 393, 483, 505, 527, 553
		23, 27, 31, 35, 39, 43, 65, 69, 75, 79, 87, 91, 99, 103, 129, 133, 135, 143, 149, 189, 191, 197, 199, 201, 205, 213, 231, 235, 239, 249, 251, 253, 257, 261, 263, 265, 271, 273, 275, 277, 281, 285, 287, 289, 295, 305, 307, 309, 315, 319, 321, 329, 331, 333, 335, 341, 345, 349, 351, 353, 357, 359, 361, 367, 371, 373, 377, 379, 383, 385, 387, 389, 391, 393, 399, 401, 403, 405, 407, 409, 411, 413, 423, 425, 427, 431, 435, 437, 439, 445, 447, 449, 451, 455, 459, 461, 463, 469, 479, 481, 483, 485, 489, 491, 499, 501, 503, 505, 507, 511, 515, 517, 519, 523, 525, 527, 529, 533, 535, 543, 549, 551, 553, 555, 559, 569, 571, 573, 579, 581, 585, 589, 609, 613, 615, 619, 621, 625, 639, 641, 645, 647, 651, 653, 655, 659, 661, 663, 667, 669, 671, 689, 691, 693, 701, 703, 705, 735, 745, 749, 781, 801, 805, 809
95972950002	Loctite 243 50 ml 95972950002	
95972960002	Loctite 7649 500ml	129, 133, 201, 207, 211, 615, 621
95972990002	Loctite 290	649, 657

Index

Material No.	Material description	Page
96055050000	Lubricating Oil F.L.5 Oil UH1	371, 405, 579, 581, 585, 589 207, 211, 219, 251, 253, 261, 269, 271, 275, 277, 285, 293, 295, 307, 309, 319, 327, 329, 333, 335, 345, 349, 355, 359, 361, 371, 379, 385, 387, 391, 393, 401, 403, 405, 411, 425, 427, 435, 443, 445, 449, 451, 459, 467, 469, 481, 483, 489, 497, 499, 503, 505, 511, 515, 521, 525, 527, 533, 541, 543, 551, 553, 559, 565, 569, 581, 589, 653, 661, 691, 701, 703, 747, 795
96055070000	Grease PARALIQ GA 343	
96055080000	Kluebersynth UH1 64-62/25kg	145, 151, 205, 581, 589, 745, 749, 753, 769
96055090000	Assembly-paste Rivolta F.L.A. 100 ml	711, 801, 805