

Spare parts list

VSI F



Bizerba SE & Co. KG

Business Services

STS-T, Didactics & Documentation

Wilhelm-Kraut-Straße 65

72336 Balingen

T +49 7433 12-0

F +49 7433 12-2696

service@bizerba.com

www.bizerba.com

Contents

10	Voltage type
18	Power Supply 220-240V cpl
20	Prog.+PCBA VSI Power Supply 230V + therm
22	Power Supply 100-120V cpl
24	Prog.+PCBA VSI Power Supply 120V + therm
26	Power Supply 100V cpl
28	Prog.+PCBA VSI Power Supply 120V + therm
30	Power Supply 100-240V cpl
32	Prog.+Power Supply 100-240V+Wärmepad
34	PCBAP Power Supply VSI
36	PCBA PowerSupply VSI
38	Power Contactor preass.
40	Machine housing
52	Housing Dt
54	Drive Housing Dt cpl
58	Cover prem
60	Cover Drivehousing prem
62	Machine Housing cpl.
64	Connector ribbon cable
66	Motor Tower Dt cpl
70	Cover Motor Tower prem
72	Cover Motor Tower
74	Cable set standard
76	Housing W Dt
78	Drive Housing Dt cpl
82	Cover prem
84	Cover Drivehousing prem
86	Machine Housing cpl.
88	Connector ribbon cable
90	Motor Tower W Dt cpl
92	Cover Motor Tower prem
94	Cover Motor Tower
96	Cable set standard
98	Cable Fixing cpl.
100	Screw Plug Machine Housing cpl
102	Covering Cap Set Carry Handles
104	Carry Handles Set VSI
106	Installations
114	Set up VSI cpl.
116	Setup preass.
118	Setup VSI w. Service Cover cpl
120	Setup w. Service Cover preass.
122	Cover prem.
124	Plate Kit
126	Plate Kit light
128	Blade drive

Contents

130	Blade Drive one-piece VSI cpl.
132	Blade Bearing one-piece cpl.
134	Motor cpl
136	Carriage drive VSI cpl.
138	Guide roller cpl
140	Bearing housing cpl
142	blade
174	Blade removal device
178	Blade Removal Device preassembled
180	Blade removal device 330 V2A
182	Blade Removal Device preassembled
184	Cover preassembled
186	Blade cover
190	Blade cover cpl.
192	Blade cover cpl. C
194	Blade guard ring + Deflector
198	Blade Guard Ring cpl
200	Blade Guard Ring preass
202	Product supporter cpl
204	Deflector preass
206	Gauge plate drive
208	Gauge plate drive VSI cpl
212	Bearing bracket cpl
216	adjusting ring 18mm
218	Beam preass
220	Gauge plate
224	Carriage drive
226	Carriage drive cpl
228	Guide roller cpl
230	Carriage drive VSI cpl.
232	Guide roller cpl
234	Bearing housing cpl
236	Carriage
254	Carriage 400 with Peaks
256	Carriage 400 cpl
262	feed spindle ass.
264	Carriage Plate 400 preass
266	Product Supporter horizontal cpl
268	Carriage Foot low cpl.
270	Product Holder folding upwards preass.
274	Bolt cpl
276	Lever compl for the Product Holder
278	Product holder ass.
280	product supporting plate ass.
282	Clamping Carriage VSI 400
284	Carriage Plate 400 preass

Contents

286	Carriage 400 premounted
292	Feedspindle 521xTR20x12 ass.
294	Product Supporter horizontal cpl
296	Carriage Foot low cpl.
298	Product Holder folding upwards preass.
302	Bolt cpl
304	Lever compl for the Product Holder
306	Product holder ass.
308	product supporting plate ass.
310	Carriage 400 NSF
312	Carriage 400 cpl
318	feed spindle ass.
320	Carriage Plate 400 preass
322	Product Supporter top NSF cpl
324	Carriage Foot high cpl.
326	Product Holder cpl. VSI
328	Product Holder Guide NSF cpl
330	Bolt NSF cpl
332	Holder preassembled
334	Holding Down Device ass.
338	Carriage VSI 400 NSF
340	Carriage Plate 400 preass
342	Carriage 400 premounted
348	Feedspindle 521xTR20x12 ass.
350	Product Supporter top NSF cpl
352	Carriage Foot high cpl.
354	Product Holder cpl. VSI
356	Product Holder Guide NSF cpl
358	Bolt NSF cpl
360	Holder preassembled
362	Holding Down Device ass.
366	Carriage 600 NSF
368	Carriage 600 cpl.
372	Feedspindle 721xTR20X12 ass.
374	Carriage Plate Template preass
376	Product Supporter top NSF cpl
378	Carriage Foot high cpl.
380	Product Holder cpl. VSI
382	Product Holder Guide NSF cpl
384	Bolt NSF cpl
386	Holder preassembled
388	Holding Down Device ass.
392	Carriage VSI 600 NSF
394	Carriage Plate Template preass
396	Carriage 600 premounted
400	Feedspindle 721xTR20X12 ass.

Contents

402	Product Supporter top NSF cpl
404	Carriage Foot high cpl.
406	Product Holder cpl. VSI
408	Product Holder Guide NSF cpl
410	Bolt NSF cpl
412	Holder preassembled
414	Holding Down Device ass.
418	Carriage 600 template
420	Carriage 600 cpl.
424	Feedspindle 721xTR20X12 ass.
426	Carriage Plate Template preass
428	Product Supporter top NSF cpl
430	Carriage Foot high cpl.
432	metal sheet insert cpl mach
434	Metal Sheet Insert cpl.
436	Holding Down Device ass.
440	Product Holder cpl. Carriage guide ruler
442	Product Holder Guide NSF cpl
444	Bolt NSF cpl
446	Holder preassembled
448	Carriage VSI 600 with guide ruler
450	Carriage Plate Template preass
452	Carriage 600 premounted
456	Feedspindle 721xTR20X12 ass.
458	Product Supporter top NSF cpl
460	Carriage Foot high cpl.
462	metal sheet insert cpl mach
464	Metal Sheet Insert cpl.
466	Holding Down Device ass.
470	Product Holder cpl. Carriage guide ruler
472	Product Holder Guide NSF cpl
474	Bolt NSF cpl
476	Holder preassembled
478	Product Holder cpl. VSI
480	Carriage guide
482	Carriage guide cpl.
484	Carriage guide preass.
490	Cover preass.
492	table
502	Drive Table cpl
504	Drive horizontal
506	Motor horizontal cpl
508	Guidance preass.
510	Drive vertical
512	Motor vertical cpl
514	Table mounting scale cpl

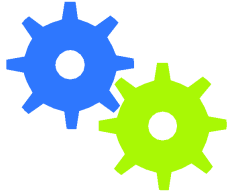
Contents

518	Mounting Scale preass
520	Lifting Tube cpl
522	Carrier preass.
524	Cover preass.
526	Depositing table cpl
528	Table mounting cpl
530	Mounting preass
532	Lifting Tube cpl
534	Frame preass.
536	Cover preass.
538	Chain frame drive
540	Drive Chainframe cpl
542	Chain Drive Shaft cpl
544	Chain frame + shaving deflector
548	Chainframe stainless steel cpl. VSI
552	Slider Mounting cpl
554	Plastic roller wheel cpl.
556	Slider cpl
558	Shaving Deflector
560	Terminal
572	Terminal Mounting Kit top cpl.
574	Terminal Mounting Kit top preassy.
576	Terminal Front cpl.
580	Terminal Front and CPU
582	Apalis carrierboard + iMX6 1GB Quad
584	Terminal Front cpl. VSI
588	Terminal Front and CPU VSI
590	Terminal Front preassembled VSI
592	Apalis carrierboard + iMX6 1GB Quad
594	Drive depositing arm
596	Depositing Drive cpl
598	Depositing Arm Lever cpl.
600	Depositing arm
602	Depositing arm cpl
604	Electronics
612	Option I/O-Module
614	Mounting Plate cpl
616	Option Scale Terminal top cpl
618	Option Scale Terminal top cpl
620	grinding device
624	Grinder VSI F 330 cpl.
626	UVV Sharpener preass. GSP
628	Grinder VSI 330 cpl.
630	Sharpener preassembled UVV VSP/GSP/VSI
632	Bench
638	Stand stationary cpl

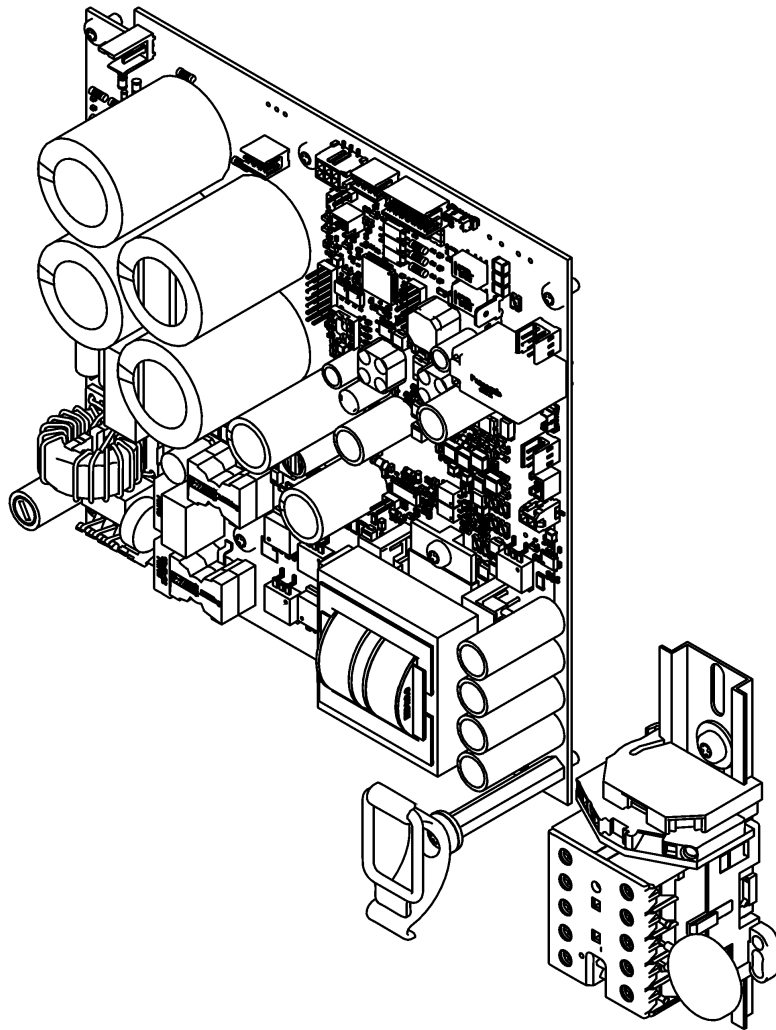
Contents

640	ACCESSORY KIT FOR BENCH FIXATION
642	Stand mobile VSI cpl
644	Lever cpl.
646	ACCESSORY KIT FOR BENCH FIXATION
648	Stand mobile cpl
650	Lever cpl.
652	ACCESSORY KIT FOR BENCH FIXATION
654	Power connections
678	Power Connection Cable USA CAN cpl.
680	Power Connection Cable ZA cpl. Type M
682	Power Connection Cable IN cpl.
684	PowerCable USA CAN cpl high-strength VSI
686	Identification plates
692	Plates
720	Accessories
726	Accessories Kit for automatic Slicer
728	VSI calibration touch controller
730	Packaging

Voltage type



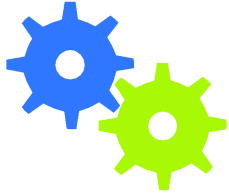
38022965003



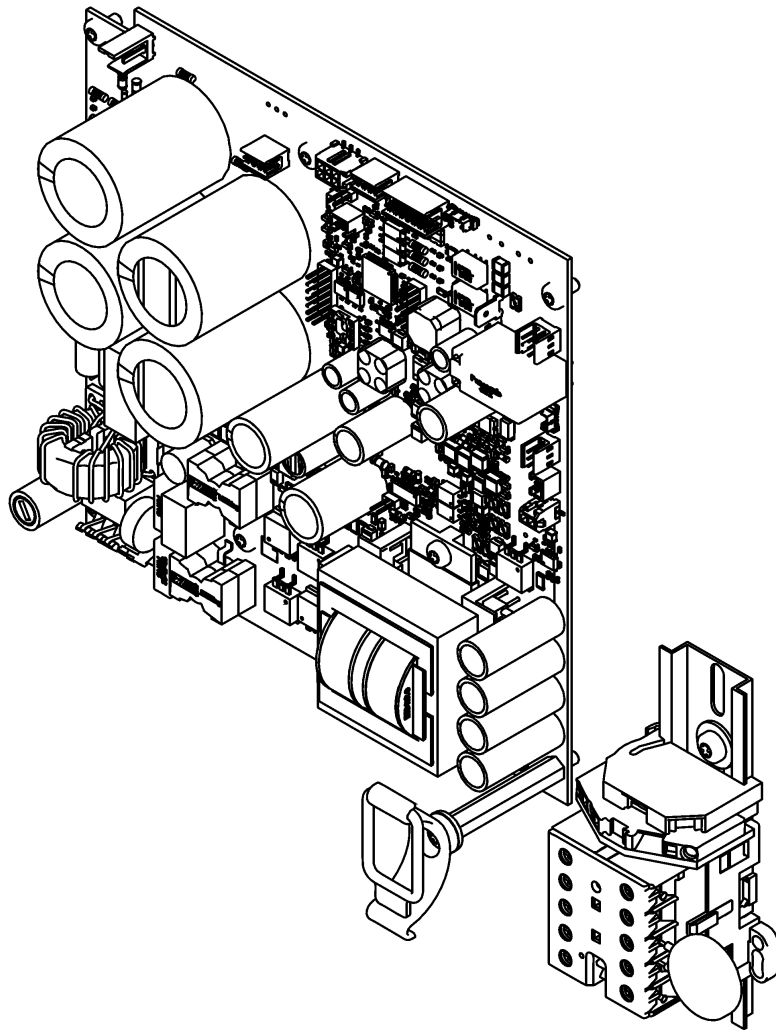
Voltage type

Material No.	Qty	Material description	available for order	Wear part	Recomm. sp. part	Metr. relevance
38022965003	1	Power Supply 220-240V cpl				

Voltage type



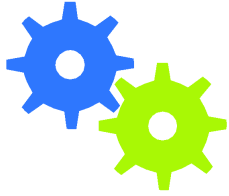
38023142003



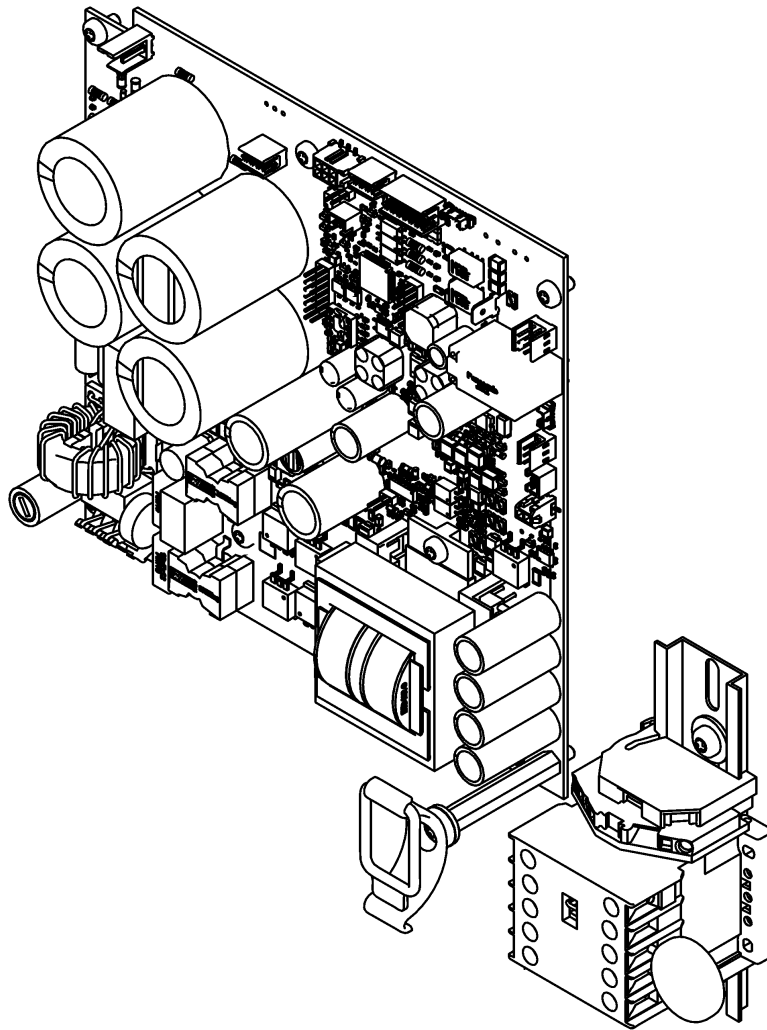
Voltage type

Material No.	Qty	Material description	available for order	Wear part	Recomm. sp. part	Metr. relevance
38023142003	1	Power Supply 100-120V cpl				

Voltage type



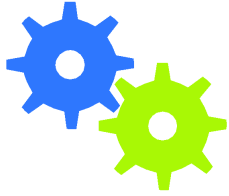
38091672003



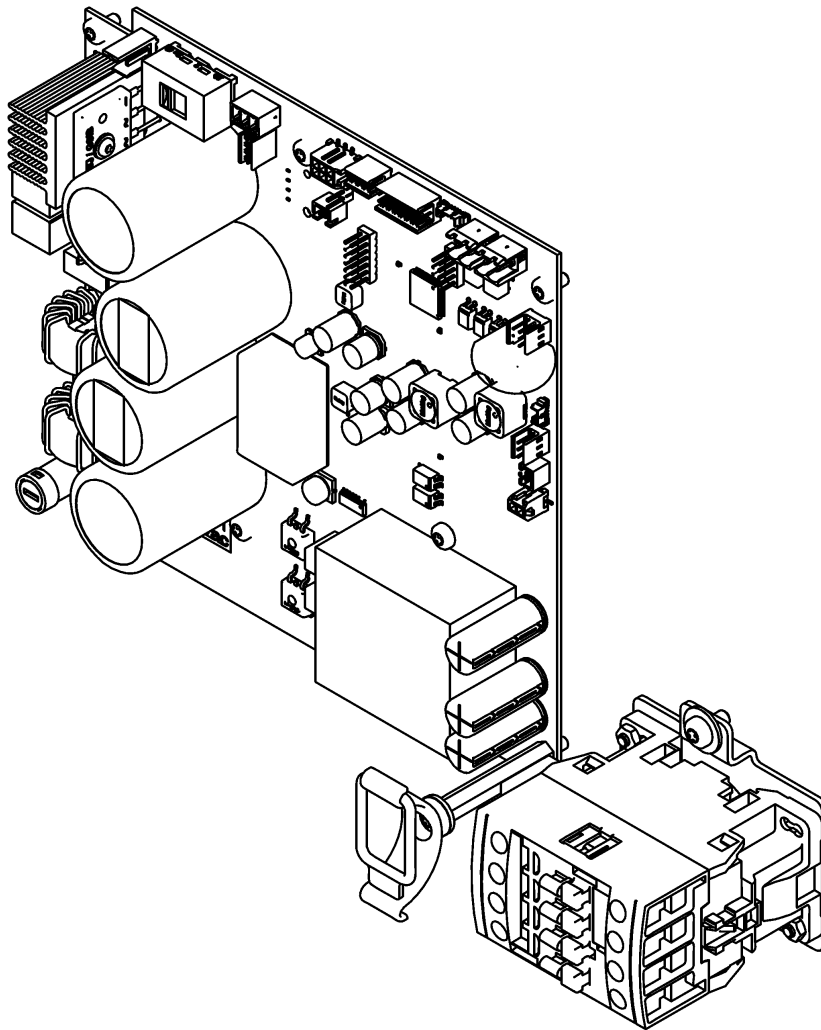
Voltage type

Material No.	Qty	Material description	available for order	Wear part	Recomm. sp. part	Metr. relevance
38091672003	1	Power Supply 100V cpl				

Voltage type



38169040000

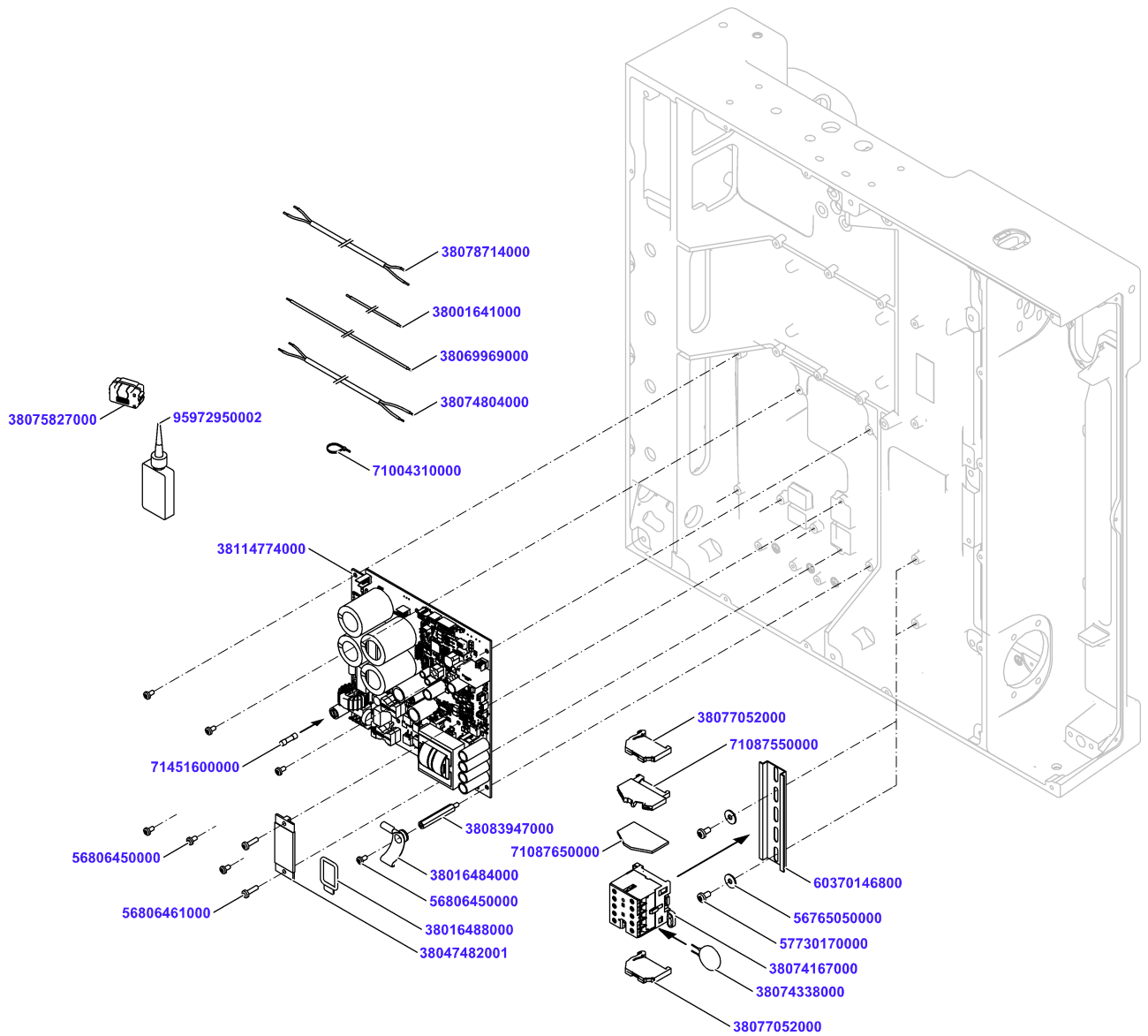


Voltage type

Material No.	Qty	Material description
38169040000	1	Power Supply 100-240V cpl

available for order
Wear part
Recomm. sp. part
Metr. relevance

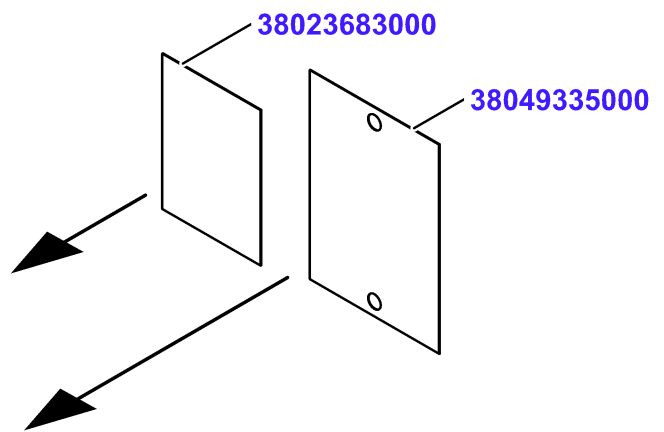
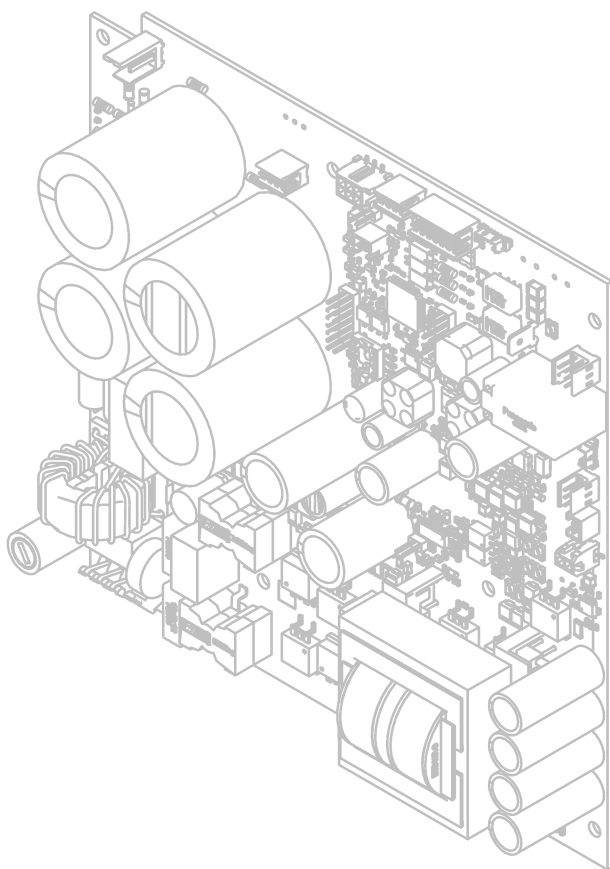
Power Supply 220-240V cpl



Power Supply 220-240V cpl

Material No.	Qty	Material description	available for order	Wear part	Recomm. sp. part	Metr. relevance
38114774000	1	Prog.+PCBA VSI Power Supply 230V + therm	✓			
71451600000	1	Fuse T6.3			✓	
56806450000	6	Oval-head screw ISO14583 M4x8-A2-70-T20	✓			
38083947000	1	Distance bolt SW7x45 M4-M4 In-Out	✓			
38016484000	1	Cradle Clip C3	✓			
56806450000	1	Oval-head screw ISO14583 M4x8-A2-70-T20	✓			
38016488000	1	Retaining Ring R3	✓			
38047482001	1	Holder cpl.	✓			
56806461000	2	Oval-head screw ISO14583 M4x16-A2-70-T20	✓			
60370146800	1	cap rail	✓			
95972950002	0,001	Loctite 243 50 ml	✓			
57730170000	2	Oval-head screw ISO14583 M5x10-A2-70-T25	✓			
56765050000	2	Washer DIN9021-5-A2	✓			
38074167000	1	Contacto 220-240V/40-450Hz B7-30-10	✓			
38074338000	1	Thermistor NTC 5 Ohm 20% 6,7W 9,5A	✓			
38077052000	2	Screwless End Clamp	✓			
71087550000	1	Terminal Block 3pol 2,5qmm 280-641	✓			
71087650000	1	Intermediate Plate 280-313	✓			
38078714000	1	Ca Rd 2x0,75qmm 0,38m	✓			
38001641000	1	Ka Li BK 1qmm 0,080m	✓			
38069969000	1	Ca Stw BK AWG18 0,160m	✓			
38074804000	1	Ca Rd 2x0,5qmm 0,45m	✓			
71004310000	2	Cabel Tie T18R	✓			
38075827000	1	Clip Ferrite 4,5-8mm	✓			

Prog.+PCBA VSI Power Supply 230V + therm

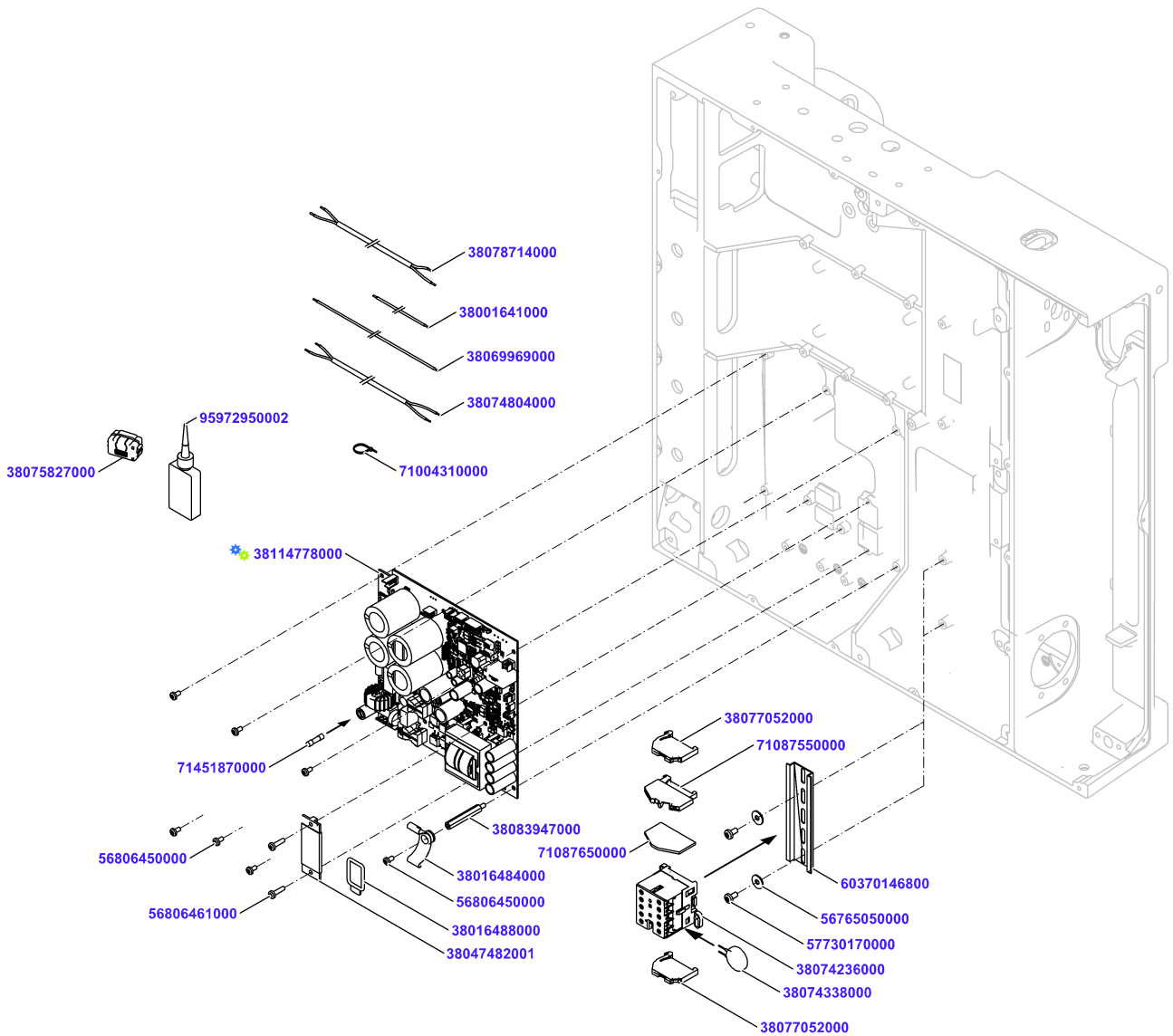


Prog.+PCBA VSI Power Supply 230V + therm

Material No.	Qty	Material description
38023683000	1	Thermal Pad 38x52x0,2 pink
38049335000	1	Thermal Pad

available for order
Wear part
Recomm. sp. part
Metr. relevance

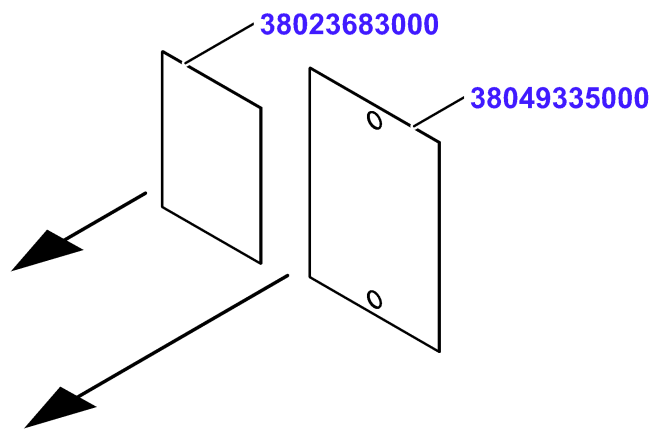
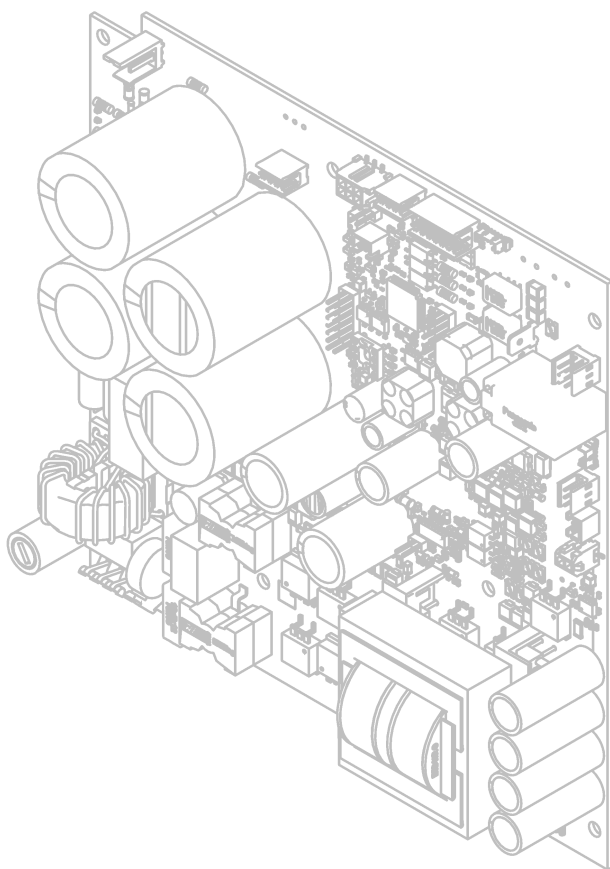
Power Supply 100-120V cpl



Power Supply 100-120V cpl

Material No.	Qty	Material description	available for order	Wear part	Recomm. sp. part	Metr. relevance
38114778000	1	Prog.+PCBA VSI Power Supply 120V + therm				
71451870000	1	FUSE 8,0T UL 215008.P				
56806450000	6	Oval-head screw ISO14583 M4x8-A2-70-T20				
38083947000	1	Distance bolt SW7x45 M4-M4 In-Out				
38016484000	1	Cradle Clip C3				
56806450000	1	Oval-head screw ISO14583 M4x8-A2-70-T20				
38016488000	1	Retaining Ring R3				
38047482001	1	Holder cpl.				
56806461000	2	Oval-head screw ISO14583 M4x16-A2-70-T20				
60370146800	1	cap rail				
57730170000	2	Oval-head screw ISO14583 M5x10-A2-70-T25				
56765050000	2	Washer DIN9021-5-A2				
95972950002	0,001	Loctite 243 50 ml				
38074236000	1	Contacto 110-127V/40-450Hz B7-30-10				
38074338000	1	Thermistor NTC 5 Ohm 20% 6,7W 9,5A				
38077052000	2	Screwless End Clamp				
71087550000	1	Terminal Block 3pol 2,5qmm 280-641				
71087650000	1	Intermediate Plate 280-313				
38078714000	1	Ca Rd 2x0,75qmm 0,38m				
38001641000	1	Ka Li BK 1qmm 0,080m				
38069969000	1	Ca Stw BK AWG18 0,160m				
38074804000	1	Ca Rd 2x0,5qmm 0,45m				
71004310000	2	Cabel Tie T18R				
38075827000	1	Clip Ferrite 4,5-8mm				

Prog.+PCBA VSI Power Supply 120V + therm

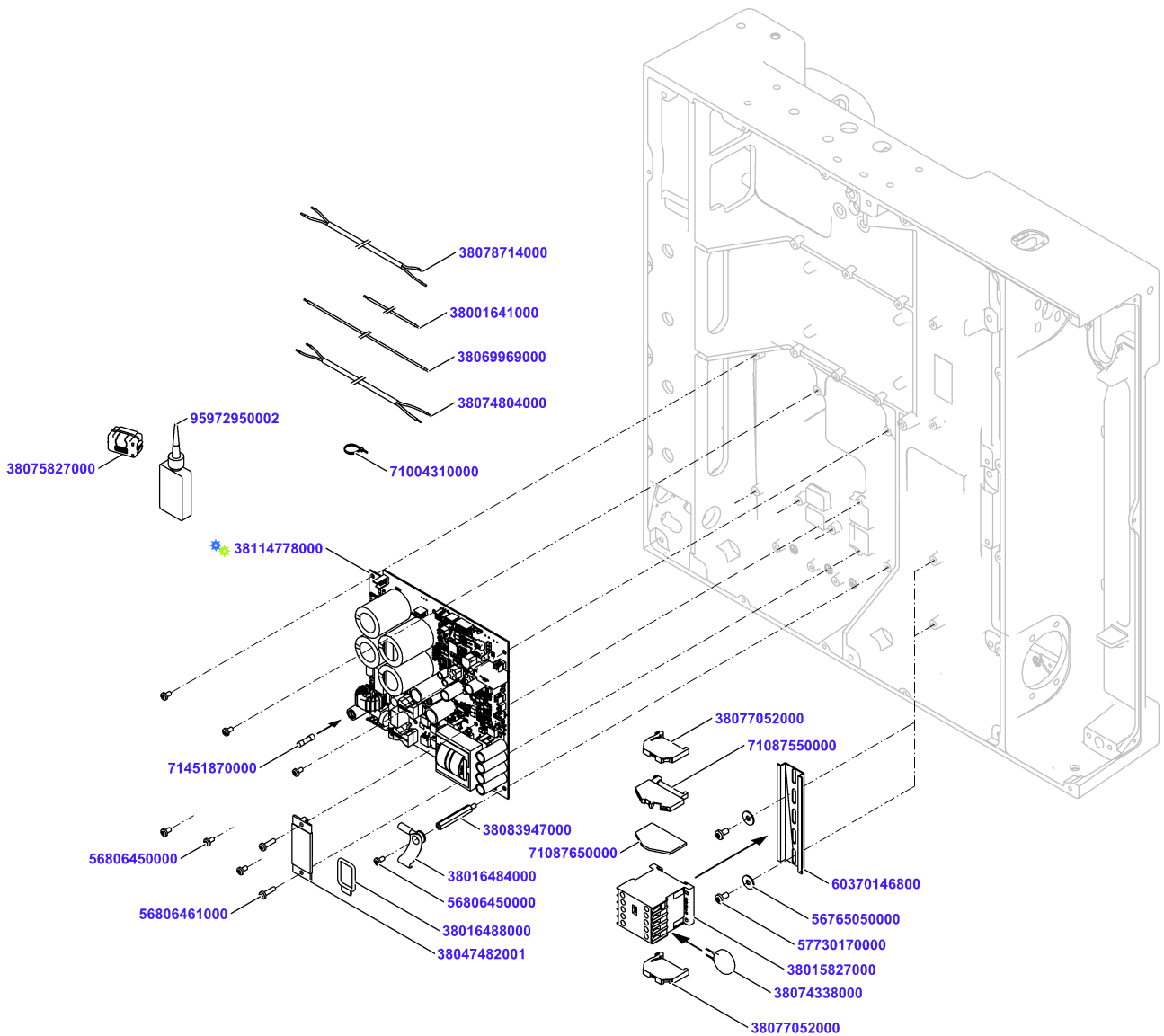


Prog.+PCBA VSI Power Supply 120V + therm

Material No.	Qty	Material description
38023683000	1	Thermal Pad 38x52x0,2 pink
38049335000	1	Thermal Pad

available for order
Wear part
Recomm. sp. part
Metr. relevance

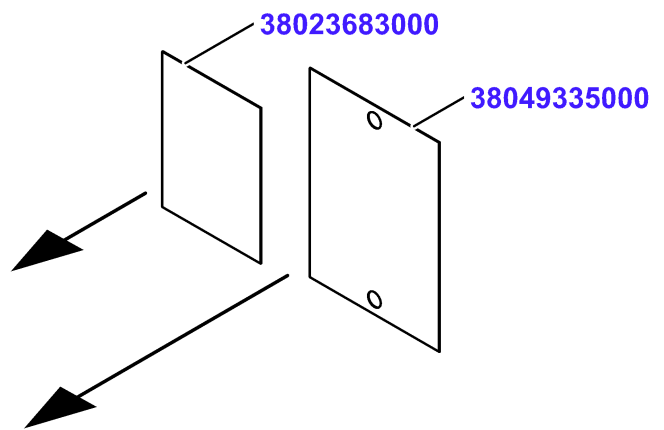
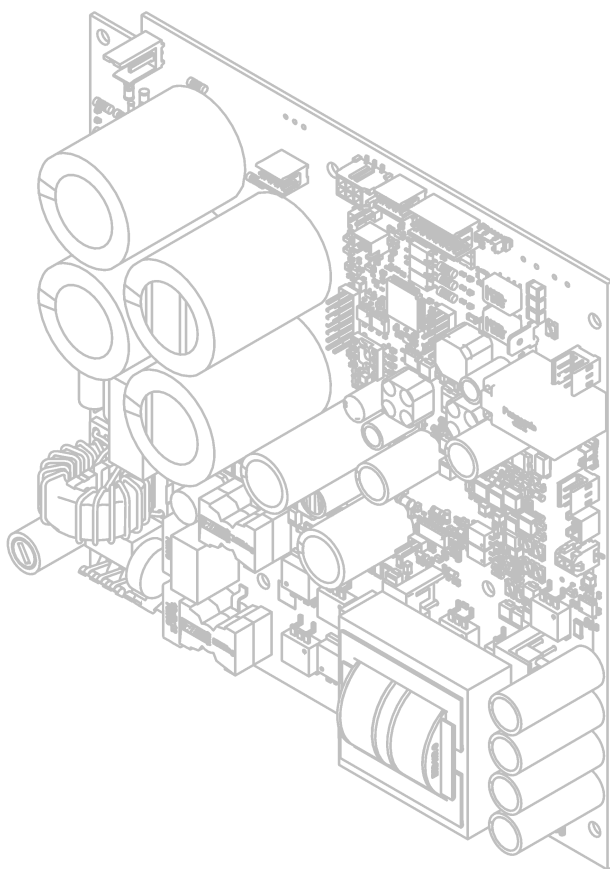
Power Supply 100V cpl



Power Supply 100V cpl

Material No.	Qty	Material description	available for order	Wear part	Recomm. sp. part	Metr. relevance
38114778000	1	Prog.+PCBA VSI Power Supply 120V + therm				
71451870000	1	FUSE 8,0T UL 215008.P				
56806450000	6	Oval-head screw ISO14583 M4x8-A2-70-T20				
38083947000	1	Distance bolt SW7x45 M4-M4 In-Out				
38016484000	1	Cradle Clip C3				
56806450000	1	Oval-head screw ISO14583 M4x8-A2-70-T20				
38016488000	1	Retaining Ring R3				
38047482001	1	Holder cpl.				
56806461000	2	Oval-head screw ISO14583 M4x16-A2-70-T20				
60370146800	1	cap rail				
95972950002	0,001	Loctite 243 50 ml				
57730170000	2	Oval-head screw ISO14583 M5x10-A2-70-T25				
56765050000	2	Washer DIN9021-5-A2				
38015827000	1	Contacto 100V 1C				
38074338000	1	Thermistor NTC 5 Ohm 20% 6,7W 9,5A				
38077052000	2	Screwless End Clamp				
71087550000	1	Terminal Block 3pol 2,5qmm 280-641				
71087650000	1	Intermediate Plate 280-313				
38078714000	1	Ca Rd 2x0,75qmm 0,38m				
38001641000	1	Ka Li BK 1qmm 0,080m				
38069969000	1	Ca Stw BK AWG18 0,160m				
38074804000	1	Ca Rd 2x0,5qmm 0,45m				
71004310000	2	Cabel Tie T18R				
38075827000	1	Clip Ferrite 4,5-8mm				

Prog.+PCBA VSI Power Supply 120V + therm

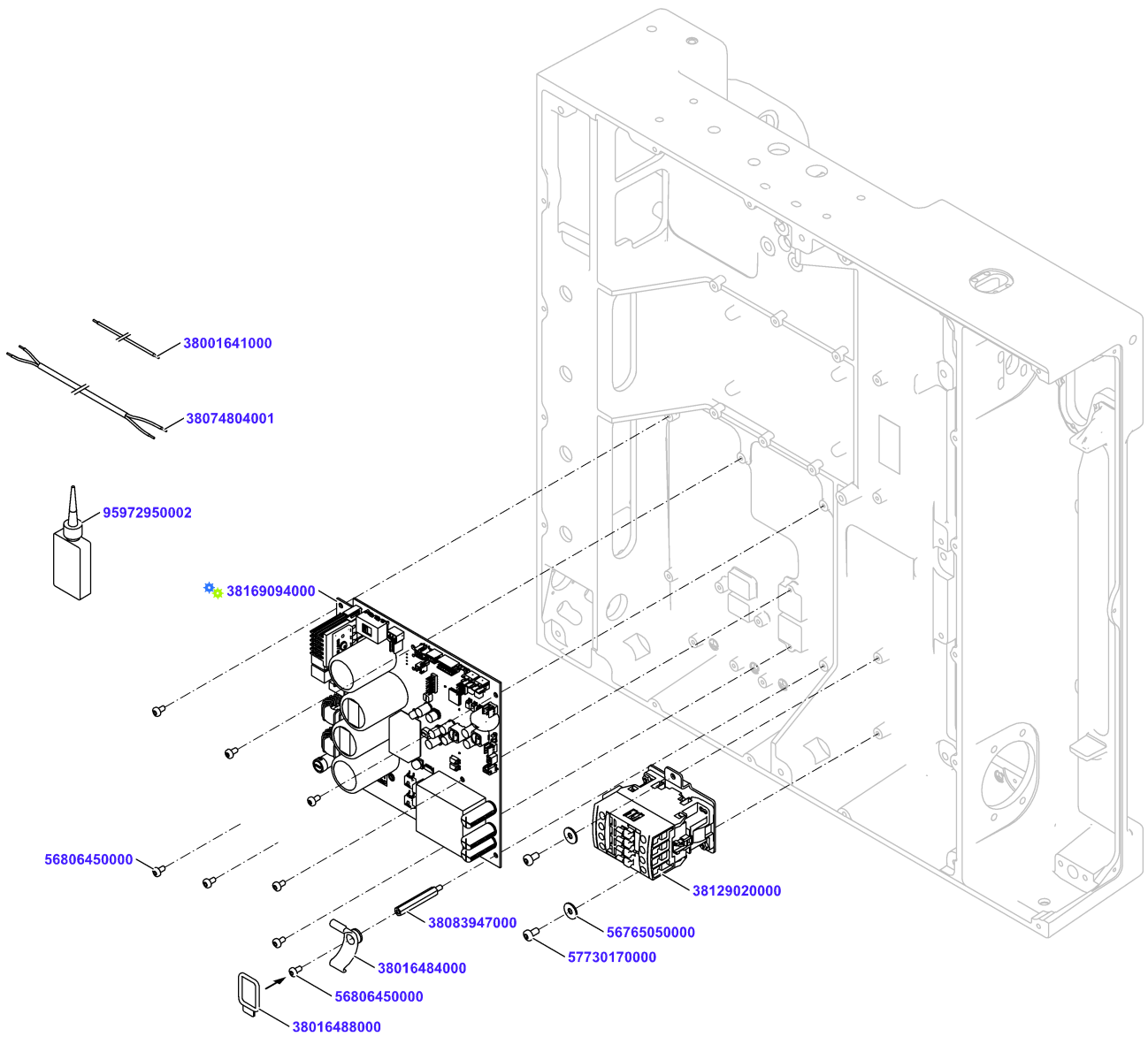


Prog.+PCBA VSI Power Supply 120V + therm













Material No.	Qty	Material description
38023683000	1	Thermal Pad 38x52x0,2 pink
38049335000	1	Thermal Pad

available for order
Wear part
Recomm. sp. part
Metr. relevance

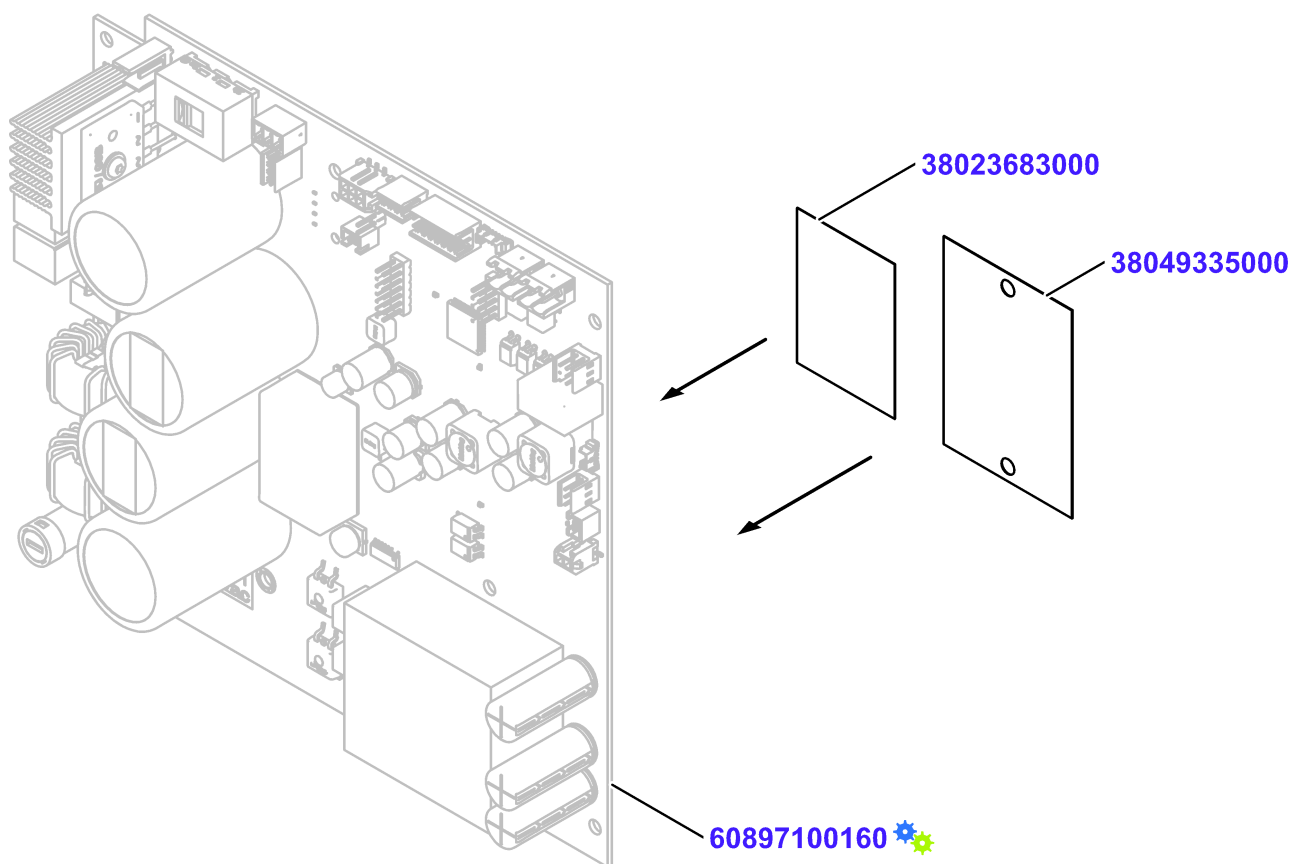
Power Supply 100-240V cpl



Power Supply 100-240V cpl

Material No.	Qty	Material description	available for order	Wear part	Recomm. sp. part	Metr. relevance
38169094000	1	Prog.+Power Supply 100-240V+Wärmepad				
56806450000	7	Oval-head screw ISO14583 M4x8-A2-70-T20				
38083947000	1	Distance bolt SW7x45 M4-M4 In-Out				
38016484000	1	Cradle Clip C3				
56806450000	1	Oval-head screw ISO14583 M4x8-A2-70-T20				
38016488000	1	Retaining Ring R3				
38129020000	1	Power Contactor preass.				
95972950002	0,001	Loctite 243 50 ml				
57730170000	2	Oval-head screw ISO14583 M5x10-A2-70-T25				
56765050000	2	Washer DIN9021-5-A2				
38001641000	2	Ka Li BK 1qmm 0,080m				
38074804001	2	Ca Rd 2x0,75qmm 0,45m				

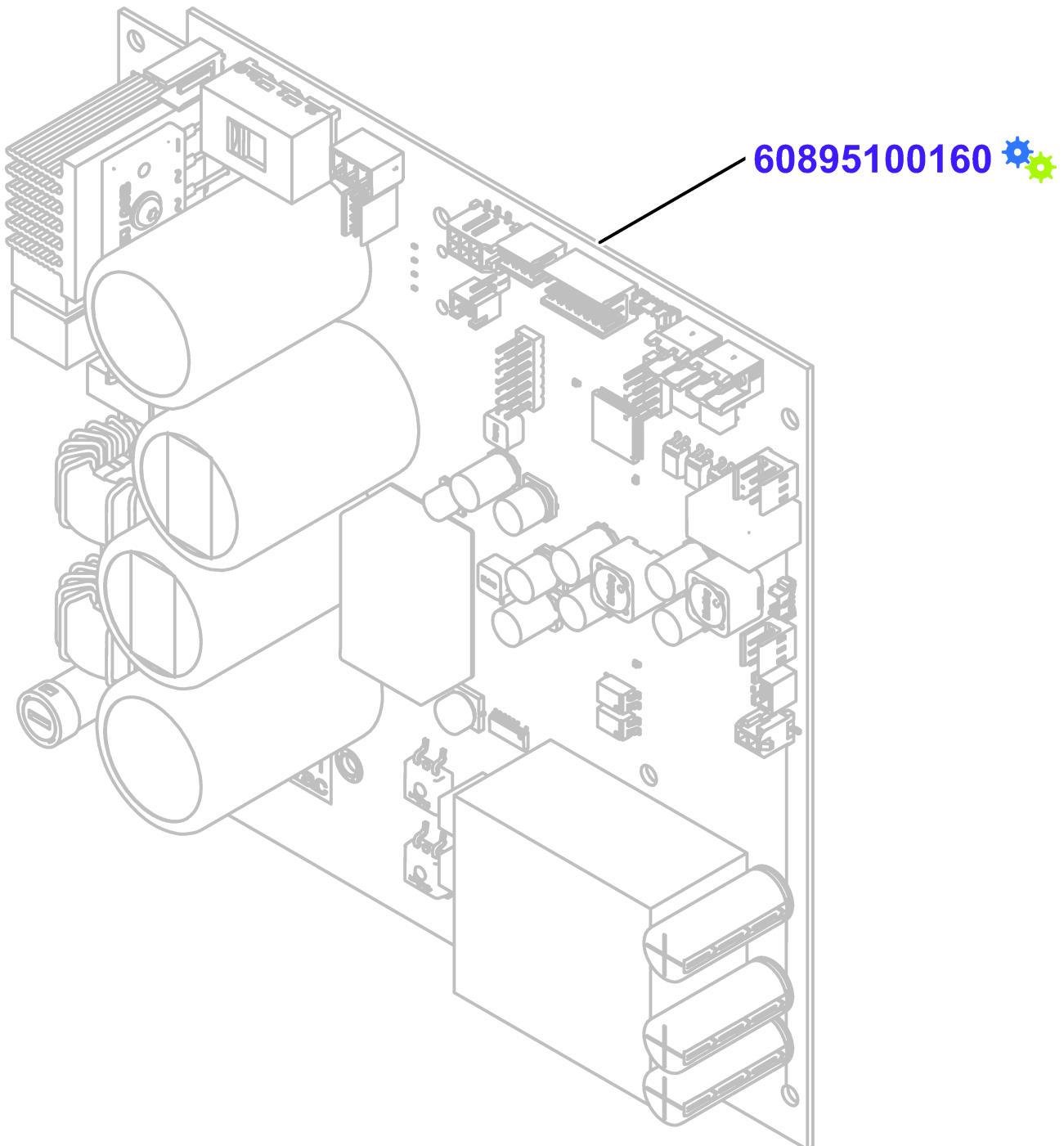
Prog.+Power Supply 100-240V+Wärmepad



Prog.+Power Supply 100-240V+Wärmepad

Material No.	Qty	Material description	available for order	Wear part	Recomm. sp. part	Metr. relevance
60897100160	1	PCBAP Power Supply VSI				
38023683000	1	Thermal Pad 38x52x0,2 pink	✓			
38049335000	1	Thermal Pad	✓			

PCBAP Power Supply VSI



PCBAP Power Supply VSI

Material No.	Qty	Material description
60895100160	1	PCBA PowerSupply VSI

available for order

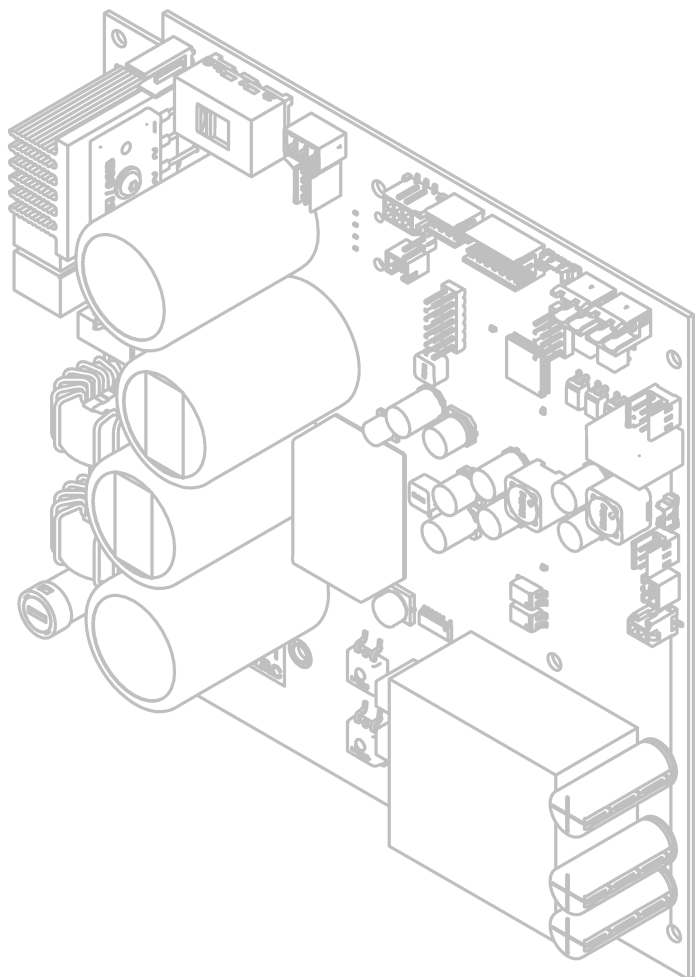
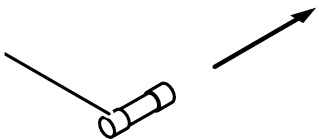
Wear part

Recomm. sp. part

Metr. relevance

PCBA PowerSupply VSI

71451870000

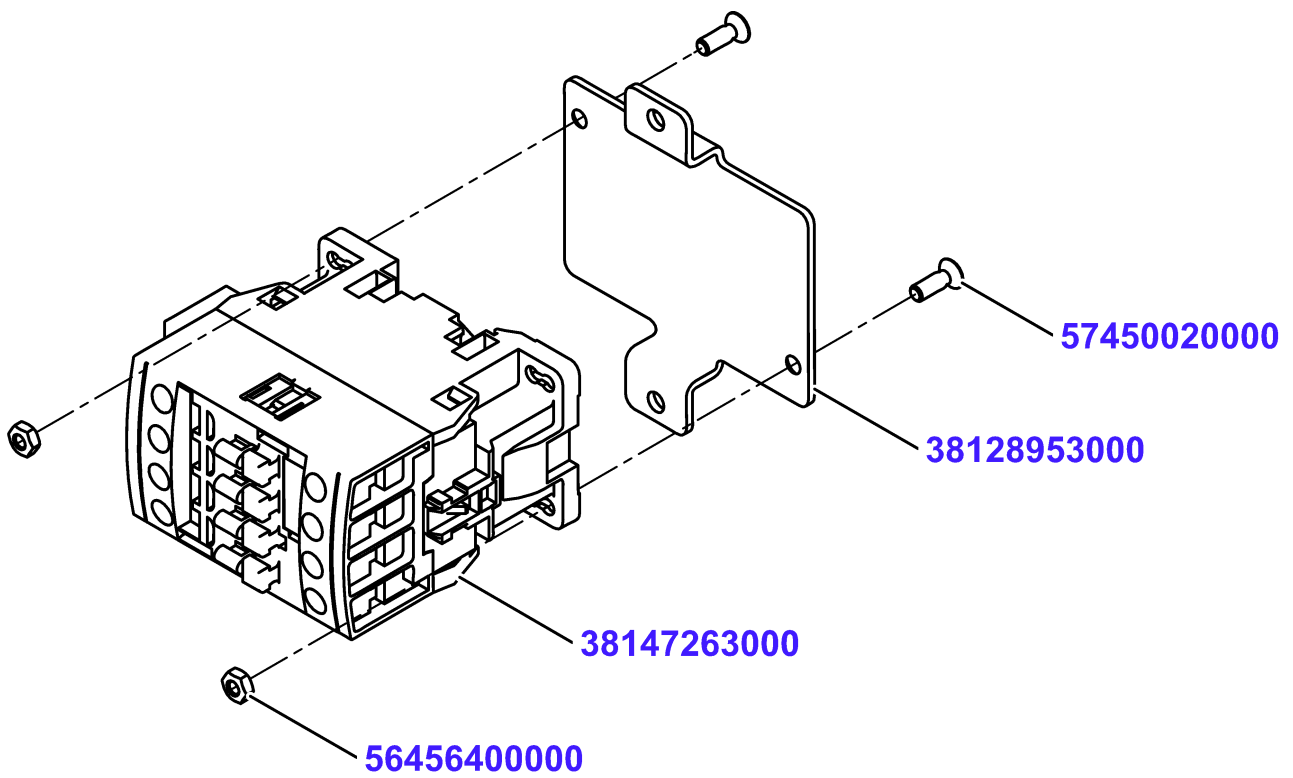


PCBA PowerSupply VSI

available for order
Wear part
Recomm. sp. part
Metr. relevance

Material No.	Qty	Material description
71451870000	1	FUSE 8,0T UL 215008.P

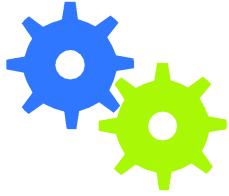
Power Contactor preass.



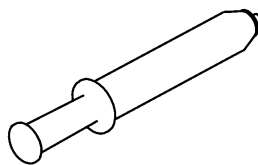
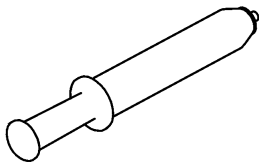
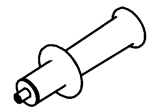
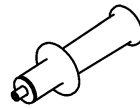
Power Contactor preass.

Material No.	Qty	Material description	available for order	Wear part	Recomm. sp. part	Metr. relevance
57450020000	2	Countersunk screw DIN965 M4x12-A2-70-T20	✓			
56456400000	2	Hexagon nut DIN934-M4-A2	✓			
38128953000	1	Plate 91x80x12x2	✓			
38147263000	1	Contactora 100-250 AC/DC 4 kW	✓			

Machine housing



38064575002



Machine housing

Material No.	Qty	Material description
38064575002	1	Carry Handles Set VSI

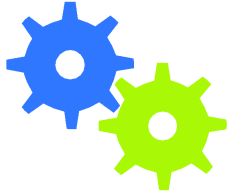
available for order

Wear part

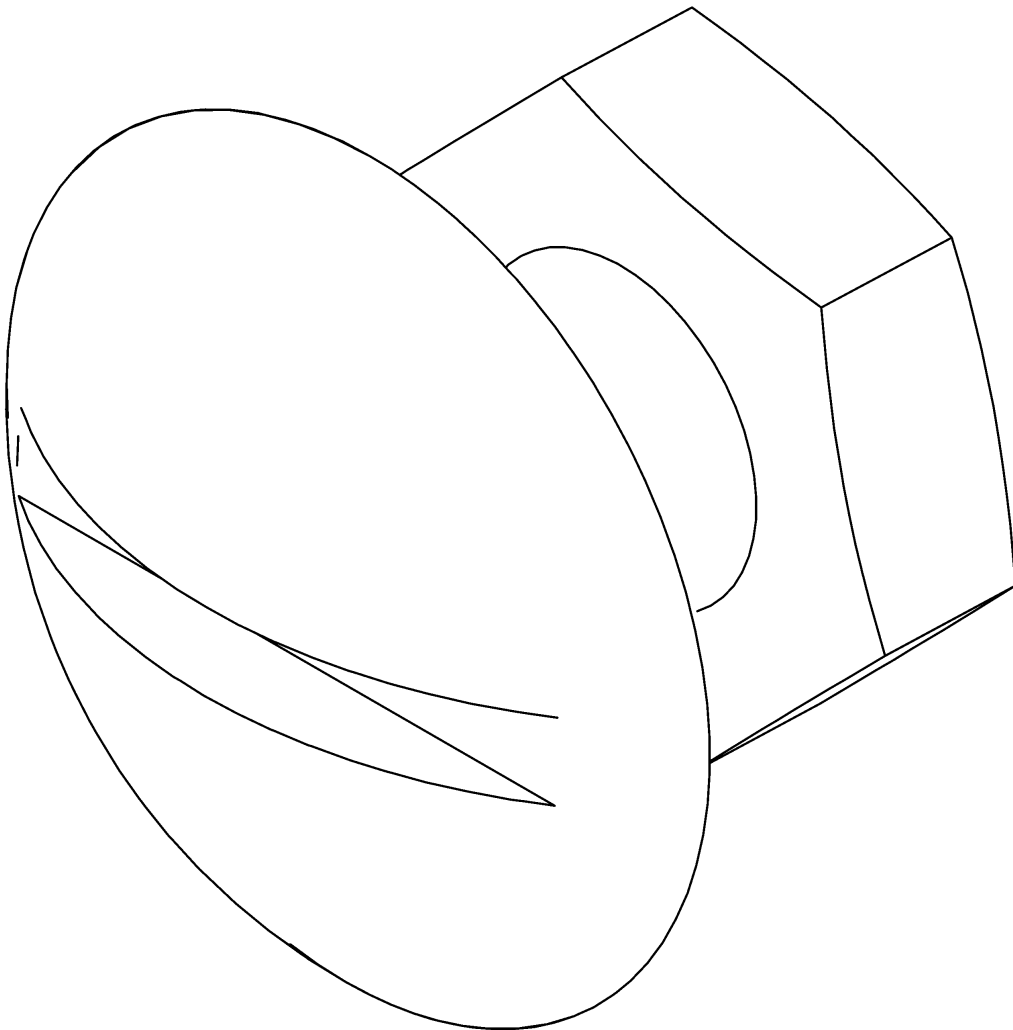
Recomm. sp. part

Metr. relevance

Machine housing



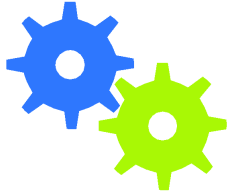
38079008001



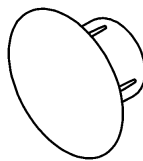
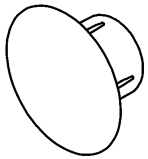
Machine housing

Material No.	Qty	Material description	available for order	Wear part	Recomm. sp. part	Metr. relevance
38079008001	1	Screw Plug Machine Housing cpl				

Machine housing



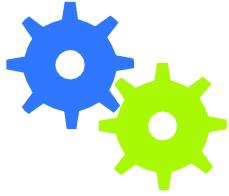
38086177000



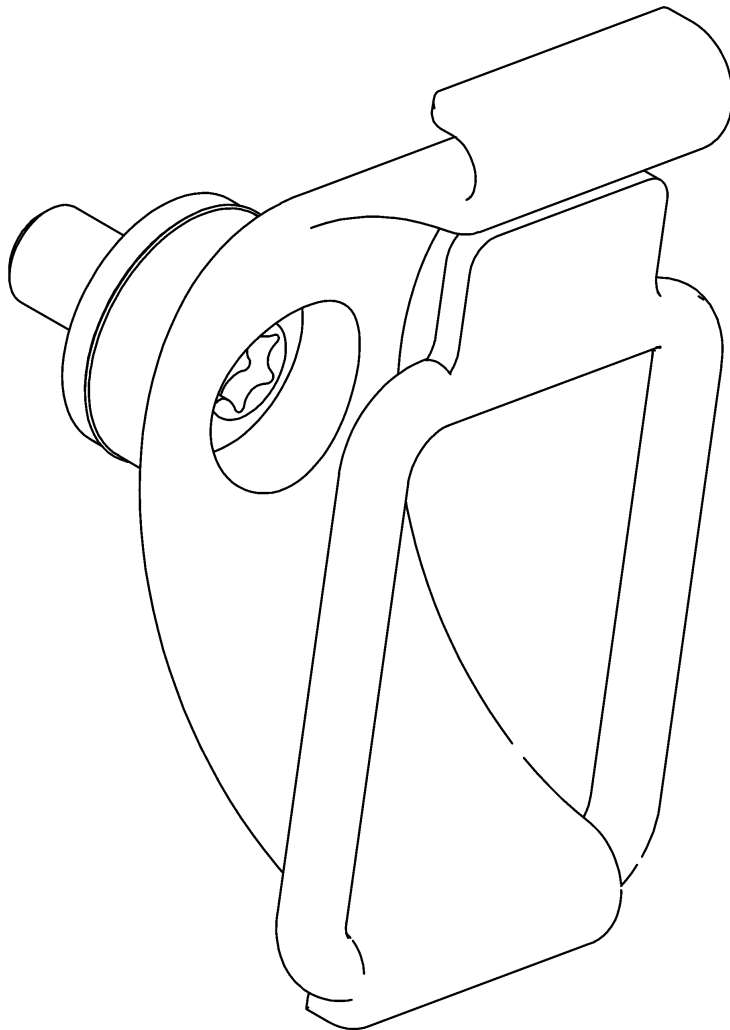
Machine housing

Material No.	Qty	Material description	available for order	Wear part	Recomm. sp. part	Metr. relevance
38086177000	1	Covering Cap Set Carry Handles				

Machine housing



38095246000



Machine housing

Material No.	Qty	Material description
--------------	-----	----------------------

38095246000	1	Cable Fixing cpl.
-----------------------------	---	-------------------

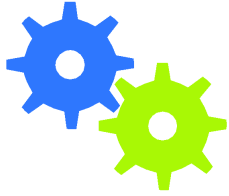
available for order

Wear part

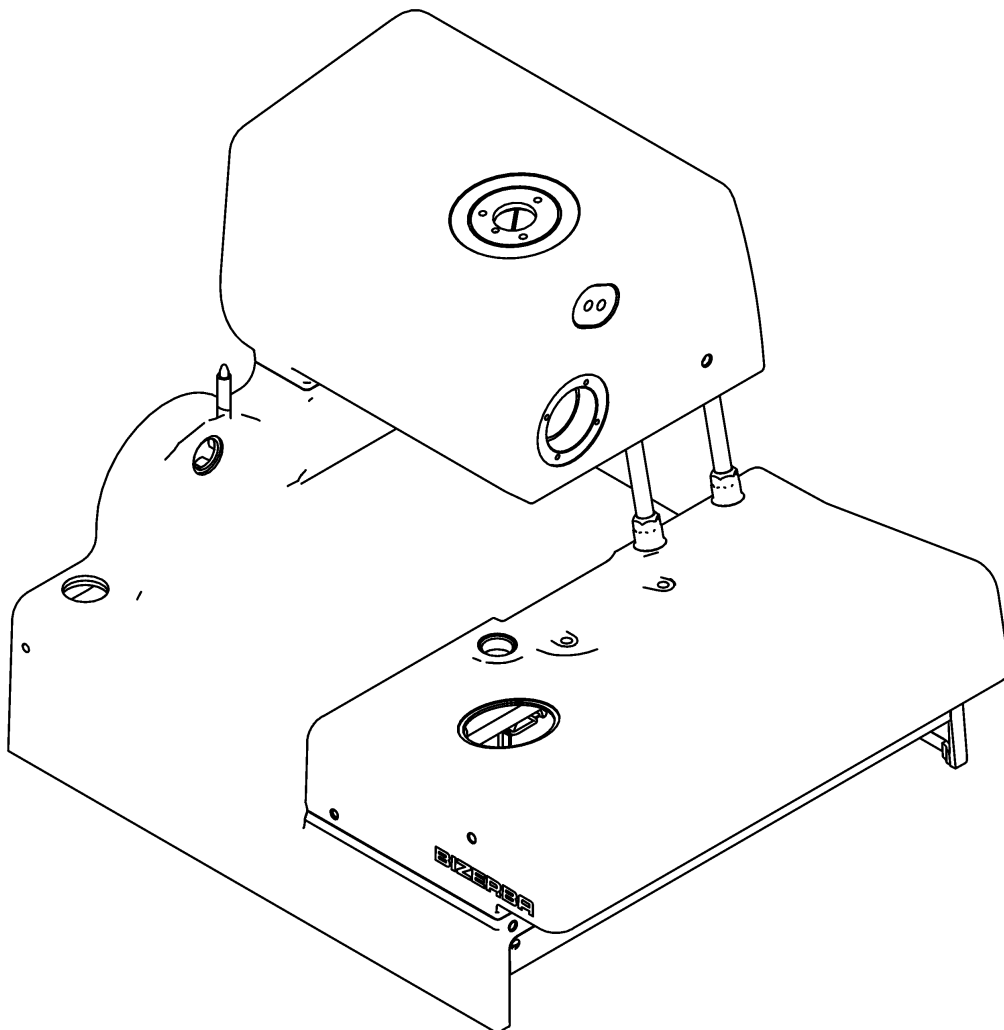
Recomm. sp. part

Metr. relevance

Machine housing



38139205001



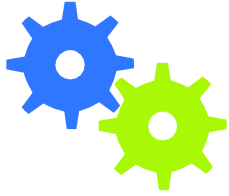
Machine housing

Material No. **Qty** **Material description**

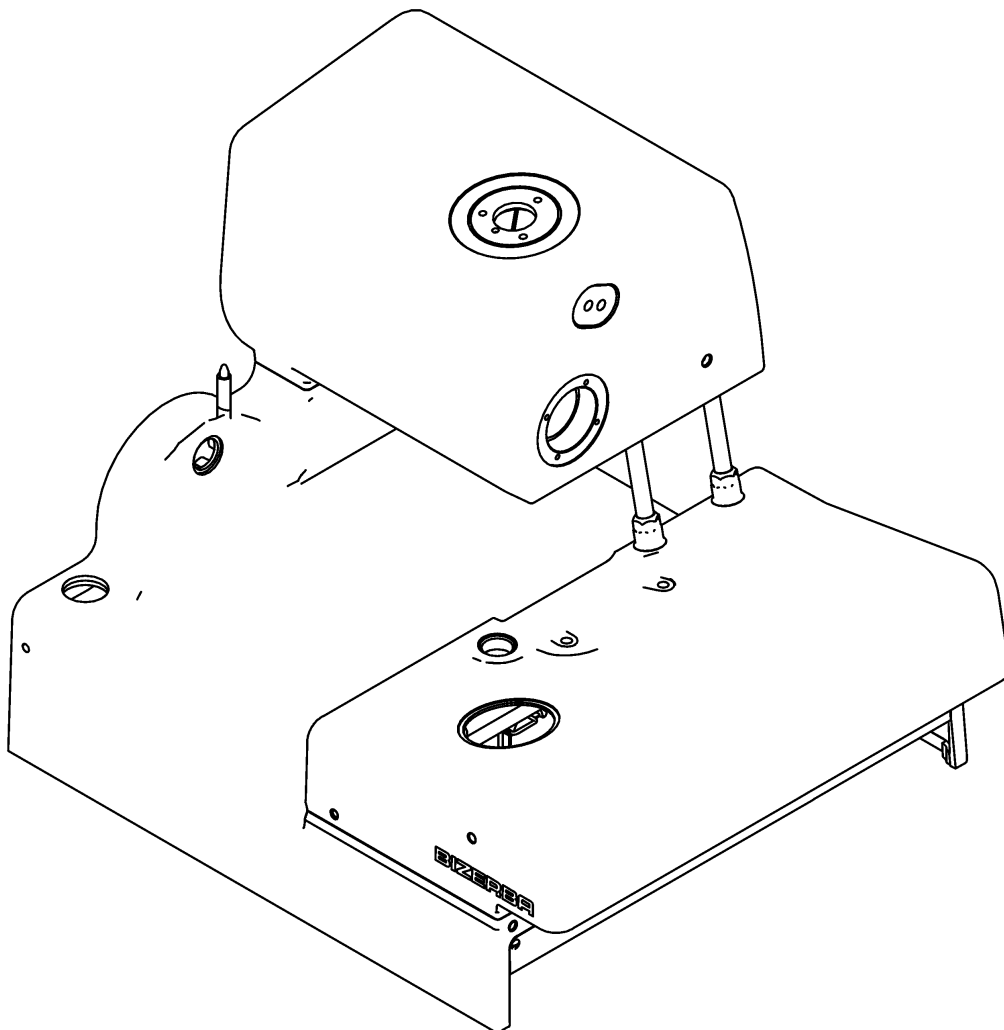
[38139205001](#) 1 Housing Dt

available for order
Wear part
Recomm. sp. part
Metr. relevance

Machine housing



38139206001



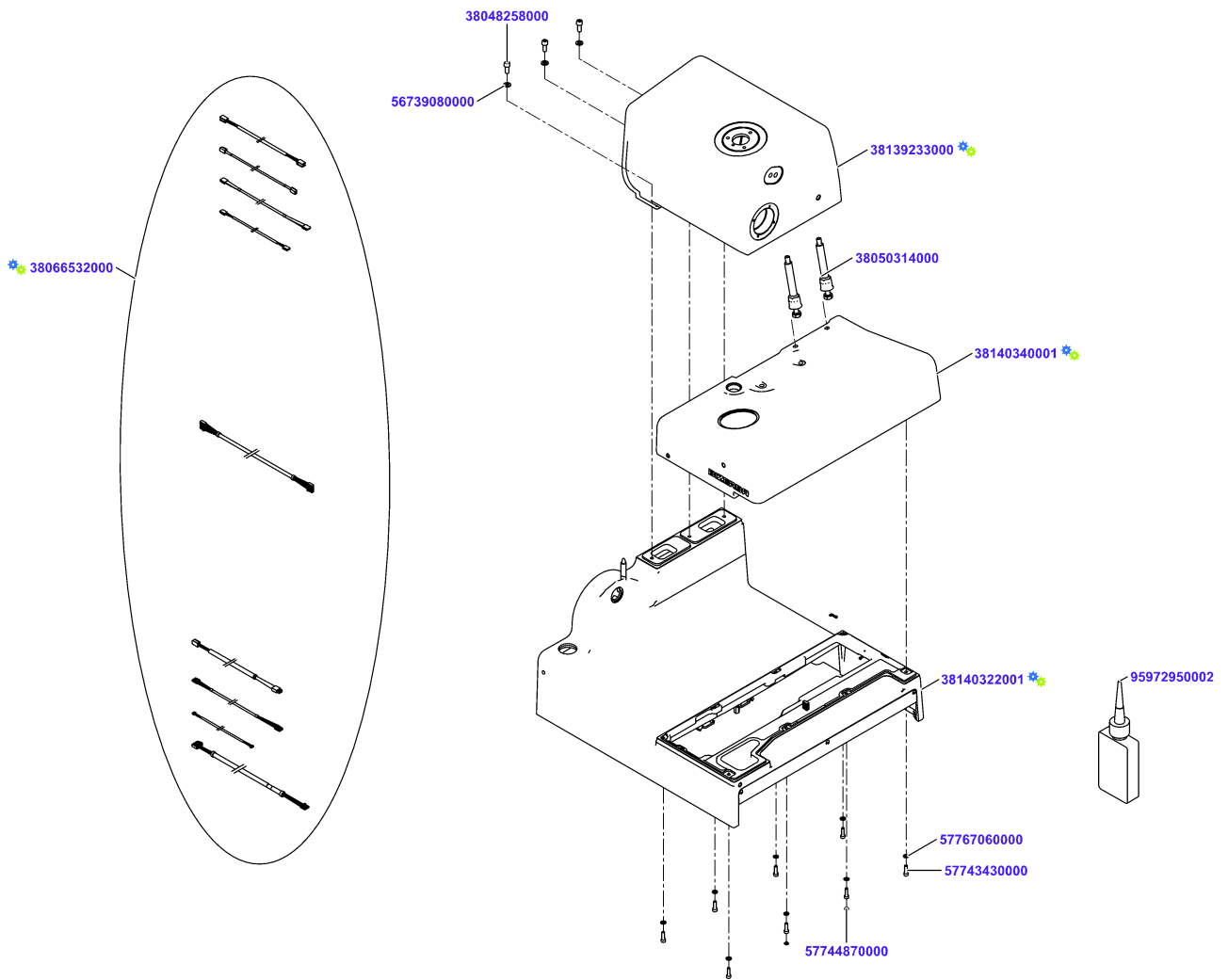
Machine housing

Material No. **Qty** **Material description**

[38139206001](#) 1 Housing W Dt

available for order
Wear part
Recomm. sp. part
Metr. relevance

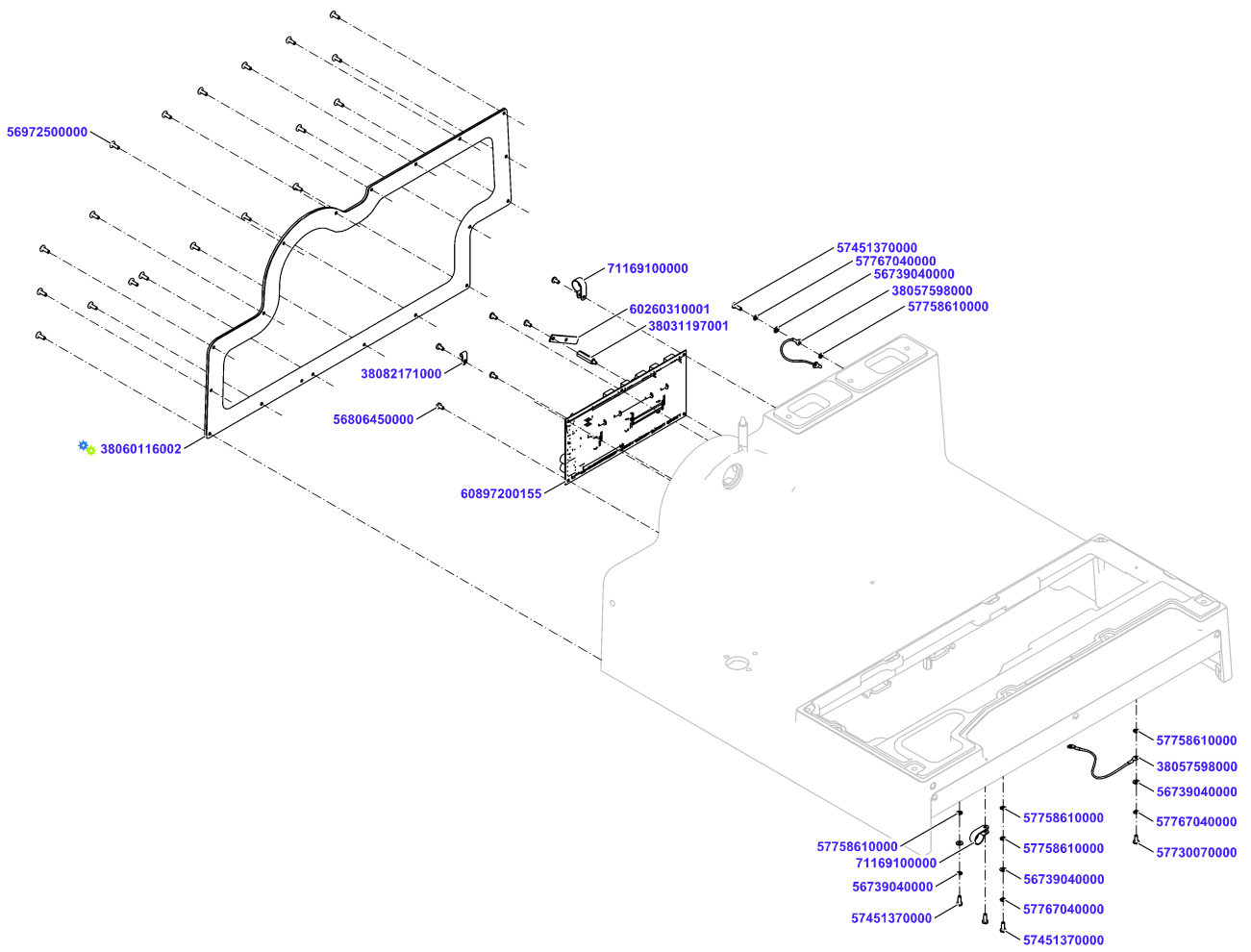
Housing Dt



Housing Dt

Material No.	Qty	Material description	available for order	Wear part	Recomm. sp. part	Metr. relevance
38140322001	1	Drive Housing Dt cpl				
38140340001	1	Machine Housing cpl.				
57743430000	8	Cylinder screw DIN 912-M6x20-A2-70	✓			
57767060000	8	Spring lock washer DIN128-A6-FSt	✓			
57744870000	2	Protective plug 10x5,2x3,1-PE	✓		✓	
38050314000	1	Support motortower cpl	✓			
38139233000	1	Motor Tower Dt cpl	✓			
38048258000	3	Cylinder screw ISO14579 M8x20-A2-70-T45	✓			
56739080000	3	Washer DIN125-A-8-A2	✓			
95972950002	1	Loctite 243 50 ml	✓			
38066532000	1	Cable set standard				

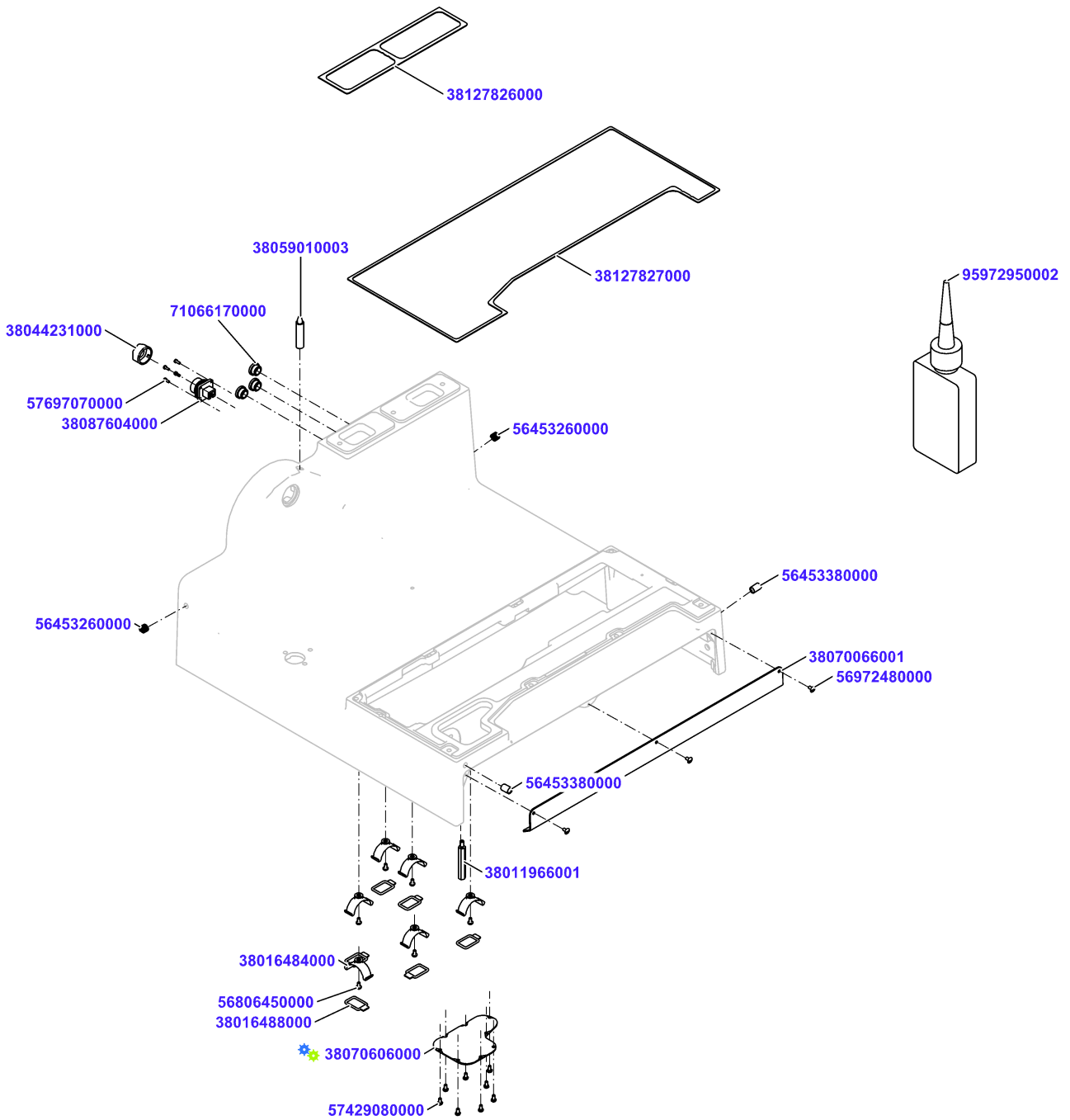
Drive Housing Dt cpl



Drive Housing Dt cpl

Material No.	Qty	Material description	available for order	Wear part	Recomm. sp. part	Metr. relevance
56806450000	6	Oval-head screw ISO14583 M4x8-A2-70-T20	✓			
60897200155	1	PCBAP MC 3ph 6ch lv bus	✓			
38082171000	1	Fastening Clip 3mm closed metal	✓			
71169100000	1	Cable Clamp nylon 14mm NK-10N	✓			
38031197001	1	Thread Bolt M4	✓			
60260310001	1	strap	✓			
56806450000	6	Oval-head screw ISO14583 M4x8-A2-70-T20	✓			
38057598000	1	Ka Li GN/YE AWG18 0,22m	✓			
57451370000	1	Oval-head screw ISO14583 M4x12-A2-70-T20	✓			
57767040000	1	Spring lock washer DIN128-A4-FSt	✓			
56739040000	1	Washer DIN125-A 4.3-A2-70	✓			
57758610000	1	Toothed washer DIN6797-A 4,3-Fst	✓			
38057598000	1	Ka Li GN/YE AWG18 0,22m	✓			
57730070000	1	Oval-head screw ISO14583 M4x10-A2-70-T20	✓			
57767040000	1	Spring lock washer DIN128-A4-FSt	✓			
56739040000	1	Washer DIN125-A 4.3-A2-70	✓			
57758610000	1	Toothed washer DIN6797-A 4,3-Fst	✓			
57451370000	1	Oval-head screw ISO14583 M4x12-A2-70-T20	✓			
71169100000	1	Cable Clamp nylon 14mm NK-10N	✓			
57451370000	2	Oval-head screw ISO14583 M4x12-A2-70-T20	✓			
57767040000	2	Spring lock washer DIN128-A4-FSt	✓			
56739040000	1	Washer DIN125-A 4.3-A2-70	✓			
57758610000	3	Toothed washer DIN6797-A 4,3-Fst	✓			
56739040000	1	Washer DIN125-A 4.3-A2-70	✓			
38060116002	1	Cover Drivehousing prem	✓			
56972500000	19	Mushroom head screw M4x12-A2-70	✓			

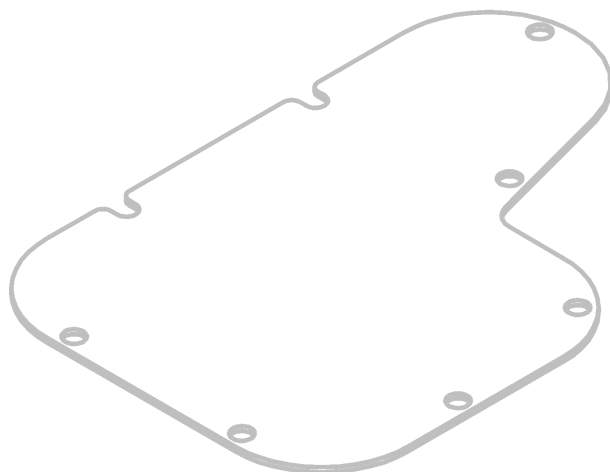
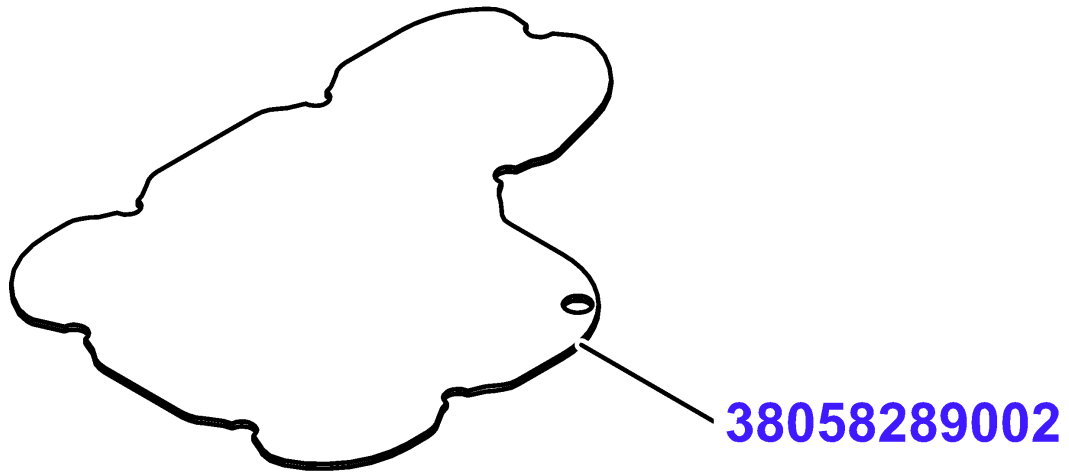
Drive Housing Dt cpl



Drive Housing Dt cpl



Material No.	Qty	Material description	available for order	Wear part	Recomm. sp. part	Metr. relevance
56453380000	2	Threaded insert M10x15	✓			
56453260000	2	Threaded insert M10x10	✓			
38059010003	1	Catching Bolt	✓			
95972950002	1	Loctite 243 50 ml	✓			
38016484000	6	Cradle Clip C3	✓			
56806450000	6	Oval-head screw ISO14583 M4x8-A2-70-T20	✓			
38016488000	6	Retaining Ring R3	✓			
56806450000	6	Oval-head screw ISO14583 M4x8-A2-70-T20	✓			
38011966001	1	Distance bolt 10x60 M6-M6 In-Out	✓			
38070066001	1	Cover	✓			
56972480000	3	Mushroom head screw M4x8-A2-70 Tuflok	✓			
38070606000	1	Cover prem	✓			
57429080000	8	Hexagon screw DIN933 M4x8 A2-70	✓			
38044231000	1	Protection Cap Flangehousing	✓			
38087604000	1	Connector Metal Bayonett RJ45 Ethernet	✓			
57697070000	4	Cylinder screw DIN84 M3x8-A2-70	✓			
71066170000	3	Blind plug BLK- M16	✓			

Cover prem

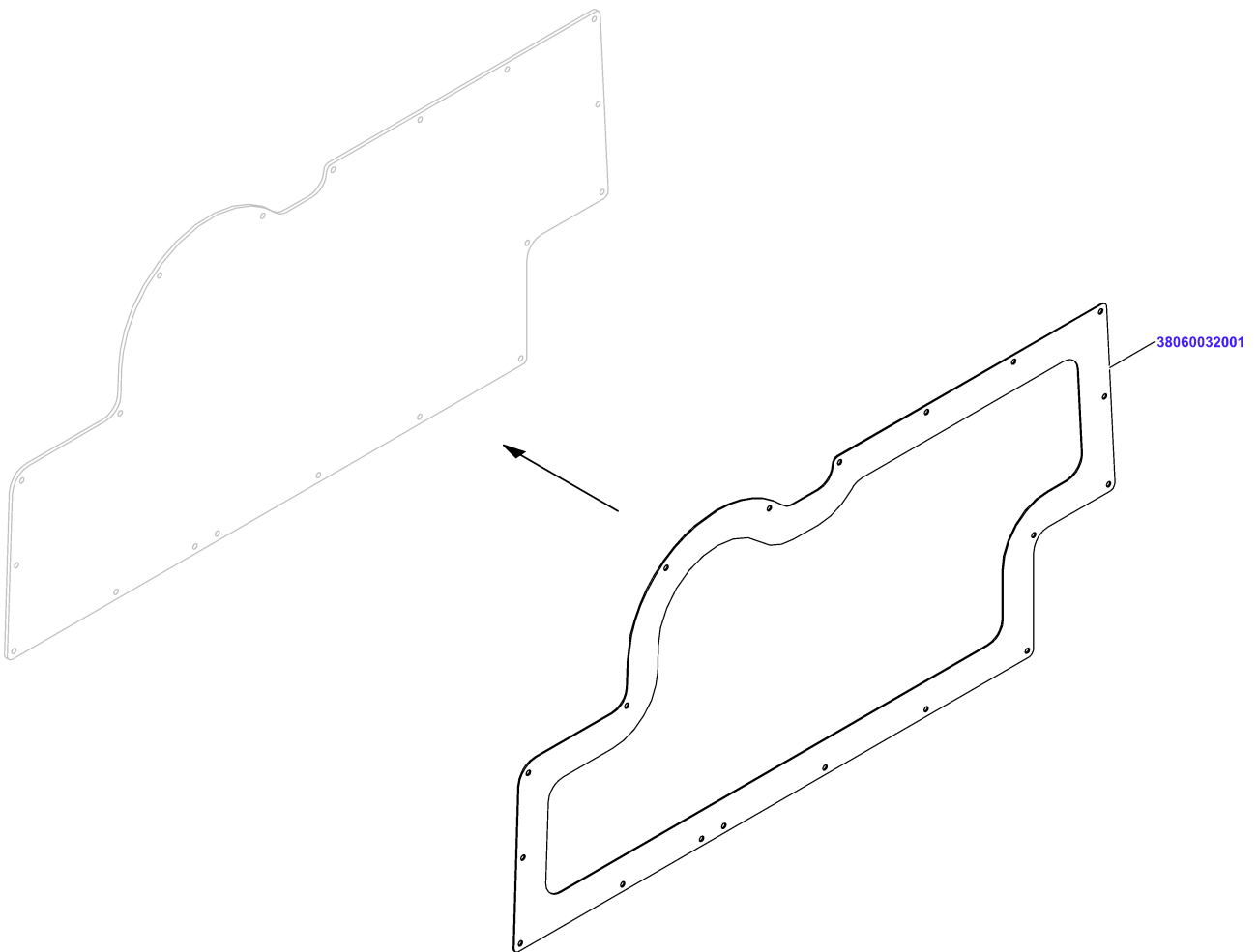


Cover prem

Material No.	Qty	Material description
38058289002	1	Sealing

	
---	---

Cover Drivehousing prem



Cover Drivehousing prem

Material No.	Qty	Material description
--------------	-----	----------------------

38060032001	1	Sealing
-------------	---	---------

available for order

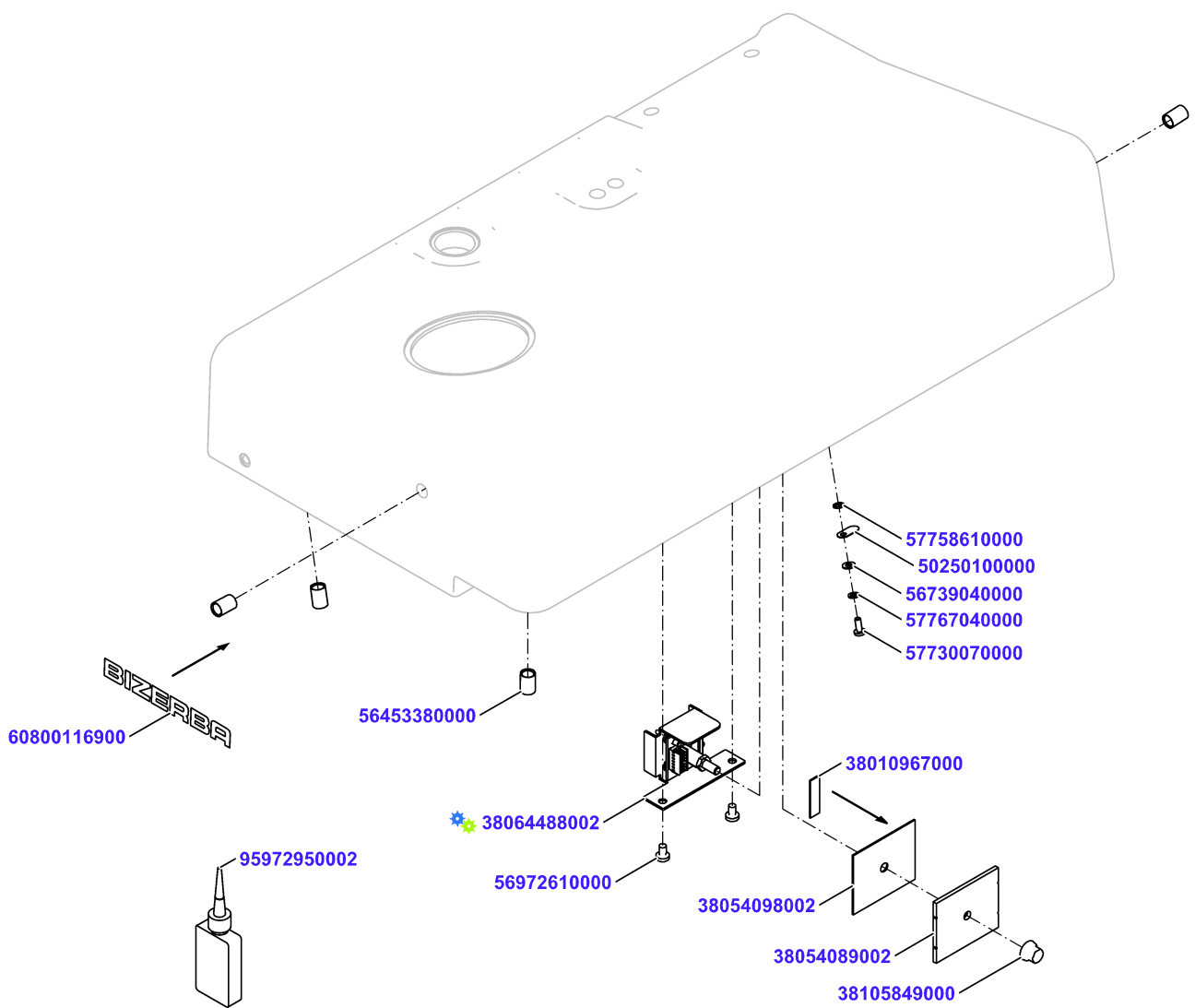
Wear part

Recomm. sp. part

Metr. relevance



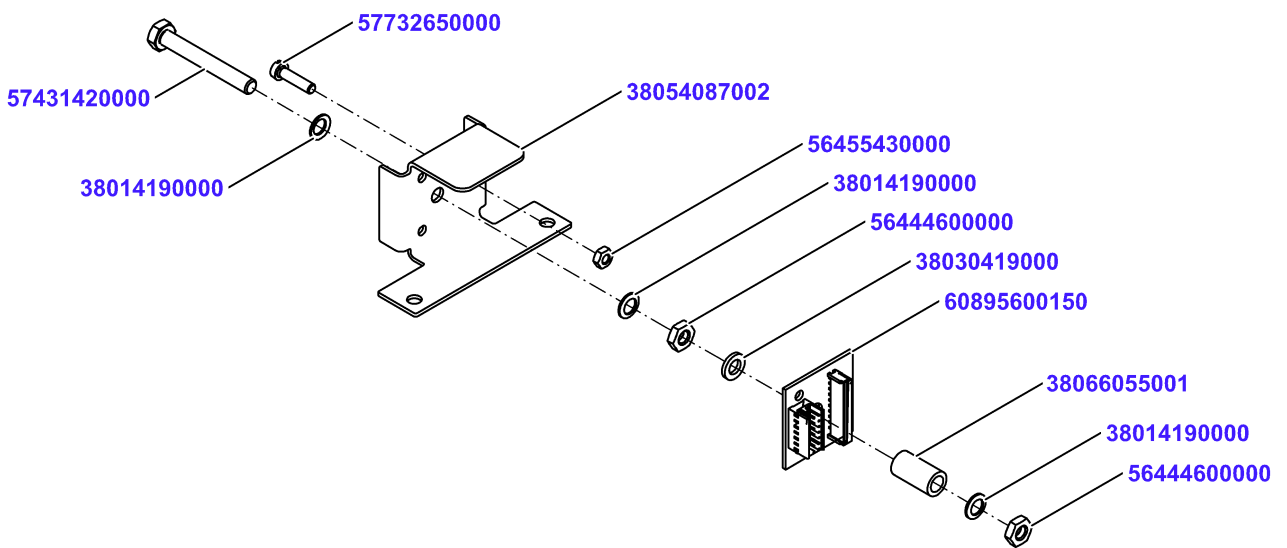
Machine Housing cpl.



Machine Housing cpl.

Material No.	Qty	Material description	available for order	Wear part	Recomm. sp. part	Metr. relevance
56453380000	4	Threaded insert M10x15	✓			
38064488002	1	Connector ribbon cable				
56972610000	2	Mushroom head screw M5x6-A2-70	✓			
38010967000	1	Sealing	✓		✓	
38054098002	1	Seal	✓		✓	
38054089002	1	cover inside	✓			
38105849000	1	Cap nut-M6 -1.4404	✓			
95972950002	0,001	Loctite 243 50 ml	✓			
57758610000	1	Toothed washer DIN6797-A 4,3-Fst	✓			
50250100000	1	Grounding Plate 9x17/4.3 D	✓			
56739040000	1	Washer DIN125-A 4.3-A2-70	✓			
57767040000	1	Spring lock washer DIN128-A4-FSt	✓			
57730070000	1	Oval-head screw ISO14583 M4x10-A2-70-T20	✓			
60800116900	1	Bizerba character font	✓			

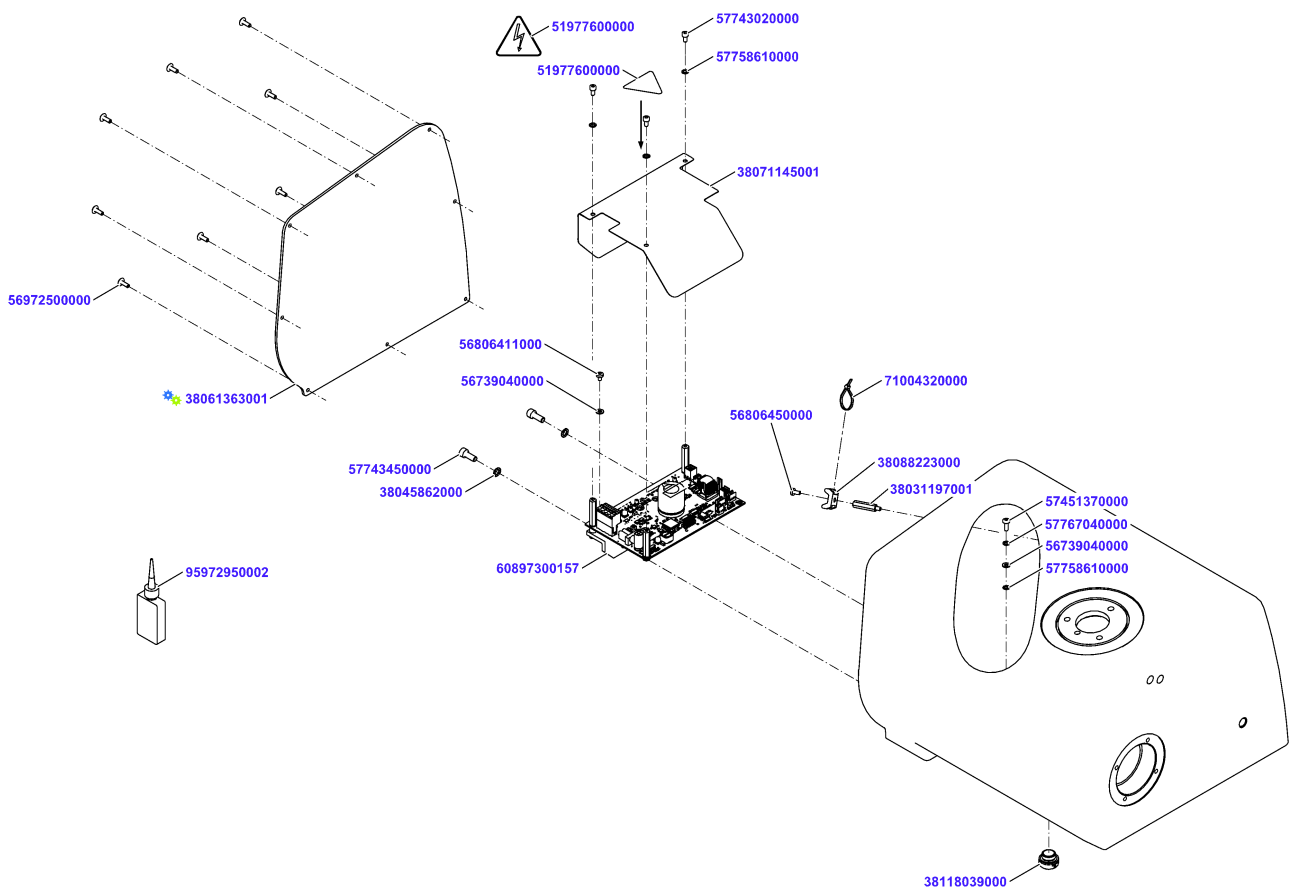
Connector ribbon cable



Connector ribbon cable

Material No.	Qty	Material description	available for order	Wear part	Recomm. sp. part	Metr. relevance
38054087002	1	Mounting Bracket	✓			
57431420000	1	Hexagon screw DIN933 M6x45 A2-70	✓			
38014190000	2	Retaining washer S6-A2	✓			
56444600000	1	Hexagon nut DIN439-M6-A2	✓			
38030419000	1	thrust washer	✓			
60895600150	1	PCBA Intermediate Board 2	✓			
38066055001	1	tube	✓			
38014190000	1	Retaining washer S6-A2	✓			
56444600000	1	Hexagon nut DIN439-M6-A2	✓			
57732650000	1	Cylinder screw DIN84 M4x16	✓			
56455430000	1	Hexagon nut DIN934-M4-PA 66	✓			

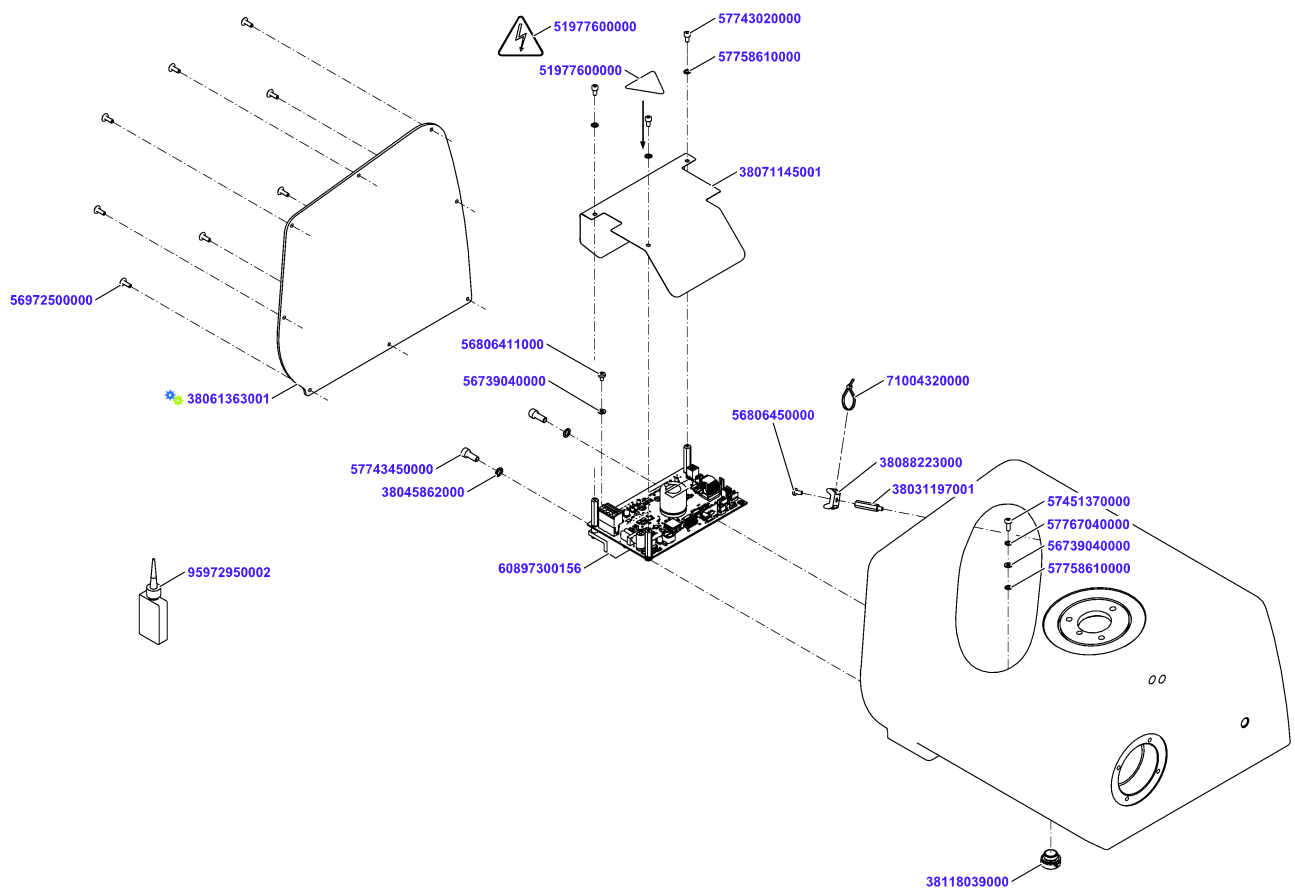
Motor Tower Dt cpl



Motor Tower Dt cpl

Material No.	Qty	Material description	available for order	Wear part	Recomm. sp. part	Metr. relevance
60897300157	1	PCBAP MC 3ph 2ch hv bus	✓			
57743450000	2	Cylinder screw DIN912 M6x16-A2-70	✓			
38045862000	2	Toothed washer DIN6797-A 6,4-A2	✓			
95972950002	0,001	Loctite 243 50 ml	✓			
56806450000	1	Oval-head screw ISO14583 M4x8-A2-70-T20	✓			
56739040000	1	Washer DIN125-A 4.3-A2-70	✓			
38071145001	1	Protection Plate	✓			
57743020000	3	Cylinder screw DIN912 M4x8-A2-70	✓			
57758610000	3	Toothed washer DIN6797-A 4,3-Fst	✓			
51977600000	1	Warning plate with danger arrow 50	✓			
38031197001	1	Thread Bolt M4	✓			
38088223000	1	Fastening Socket 9mm	✓			
56806450000	1	Oval-head screw ISO14583 M4x8-A2-70-T20	✓			
71004320000	1	Cable Tie T40R	✓			
38061363001	1	Cover Motor Tower prem	✓			
56972500000	8	Mushroom head screw M4x12-A2-70	✓			
56739040000	1	Washer DIN125-A 4.3-A2-70	✓			
57451370000	1	Oval-head screw ISO14583 M4x12-A2-70-T20	✓			
57767040000	1	Spring lock washer DIN128-A4-FSt	✓			
57758610000	1	Toothed washer DIN6797-A 4,3-Fst	✓			
38118039000	1	Dummy plug hygienic BL-M M16x1,5 V4A	✓			
95972950002	0,001	Loctite 243 50 ml	✓			

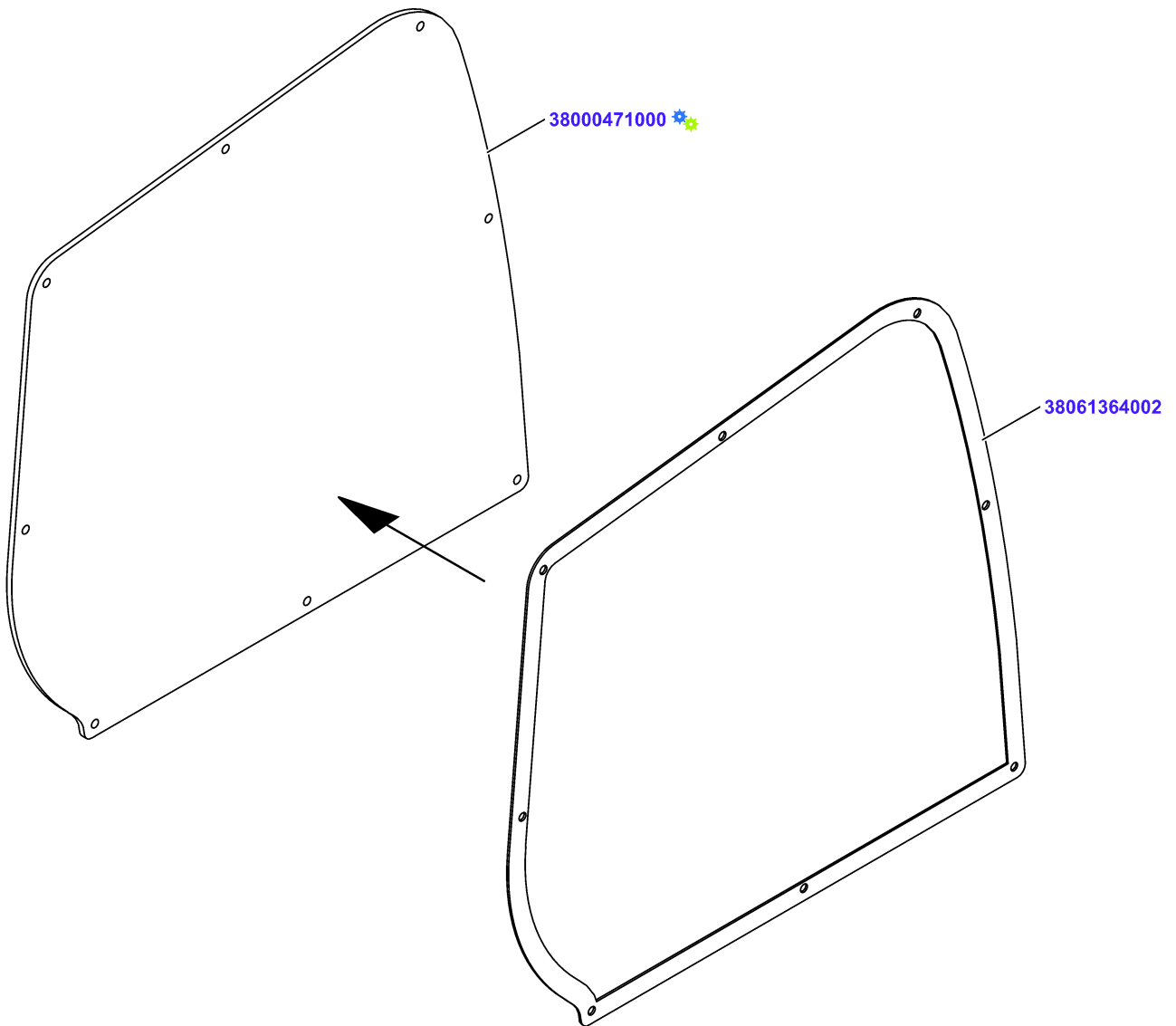
Motor Tower Dt cpl



Motor Tower Dt cpl



Material No.	Qty	Material description	available for order	Wear part	Recomm. sp. part	Metr. relevance
57743450000	2	Cylinder screw DIN912 M6x16-A2-70	✓			
38045862000	2	Toothed washer DIN6797-A 6,4-A2	✓			
95972950002	0,001	Loctite 243 50 ml	✓			
56806450000	1	Oval-head screw ISO14583 M4x8-A2-70-T20	✓			
56739040000	1	Washer DIN125-A 4.3-A2-70	✓			
38071145001	1	Protection Plate	✓			
57743020000	3	Cylinder screw DIN912 M4x8-A2-70	✓			
57758610000	3	Toothed washer DIN6797-A 4,3-Fst	✓			
51977600000	1	Warning plate with danger arrow 50	✓			
38031197001	1	Thread Bolt M4	✓			
38088223000	1	Fastening Socket 9mm	✓			
56806450000	1	Oval-head screw ISO14583 M4x8-A2-70-T20	✓			
71004320000	1	Cable Tie T40R	✓			
38061363001	1	Cover Motor Tower prem	✓			
56972500000	8	Mushroom head screw M4x12-A2-70	✓			
56739040000	1	Washer DIN125-A 4.3-A2-70	✓			
57451370000	1	Oval-head screw ISO14583 M4x12-A2-70-T20	✓			
57767040000	1	Spring lock washer DIN128-A4-FSt	✓			
57758610000	1	Toothed washer DIN6797-A 4,3-Fst	✓			
38118039000	1	Dummy plug hygienic BL-M M16x1,5 V4A	✓			
95972950002	0,001	Loctite 243 50 ml	✓			

Cover Motor Tower prem

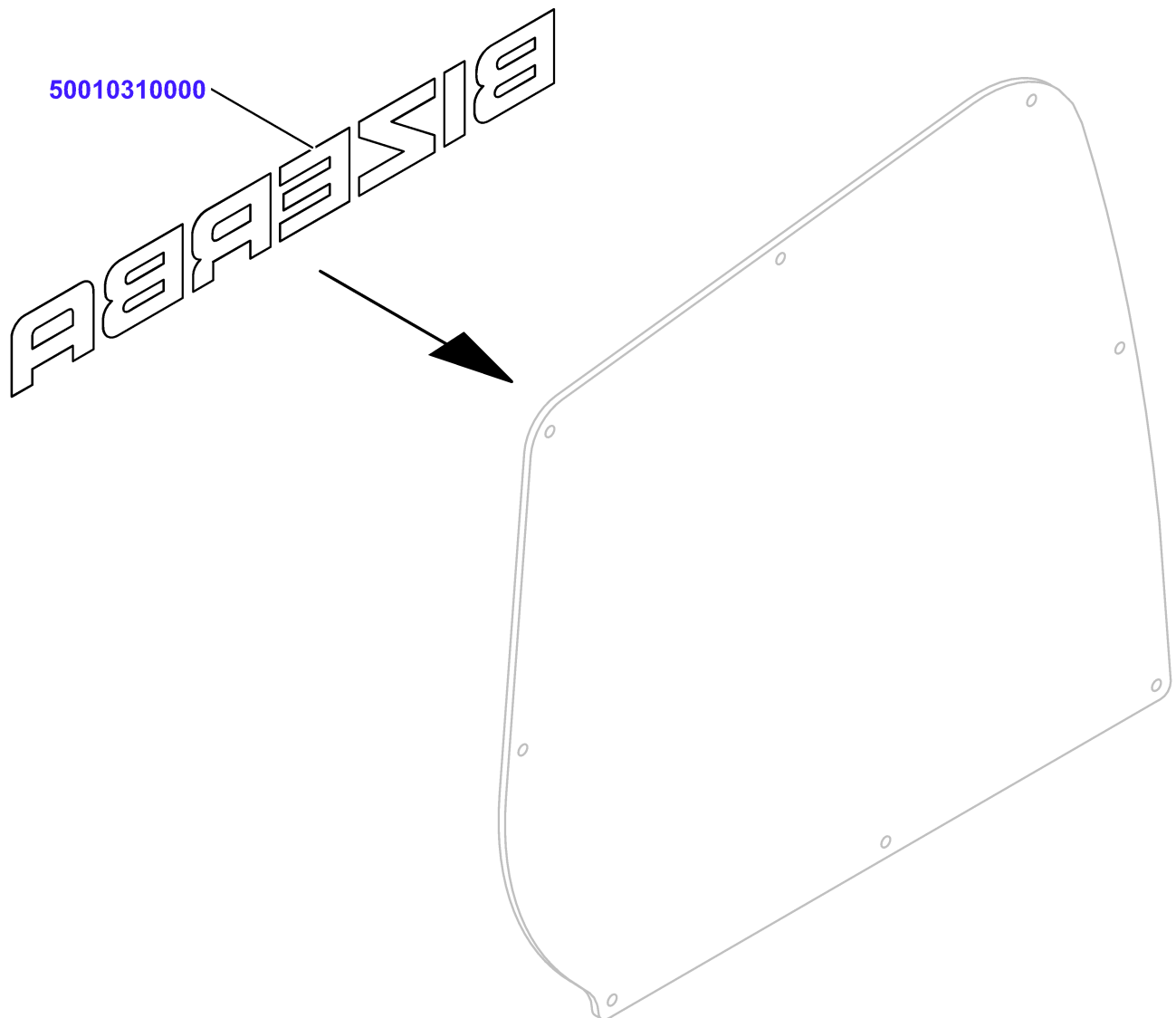


Cover Motor Tower prem

Material No.	Qty	Material description
38061364002	1	Sealing
38000471000	1	Cover Motor Tower

available for order	Wear part	Recomm. sp. part	Metr. relevance
			

Cover Motor Tower



Cover Motor Tower

Material No.	Qty	Material description
50010310000	1	Bizerba Lettering L255 H30

available for order

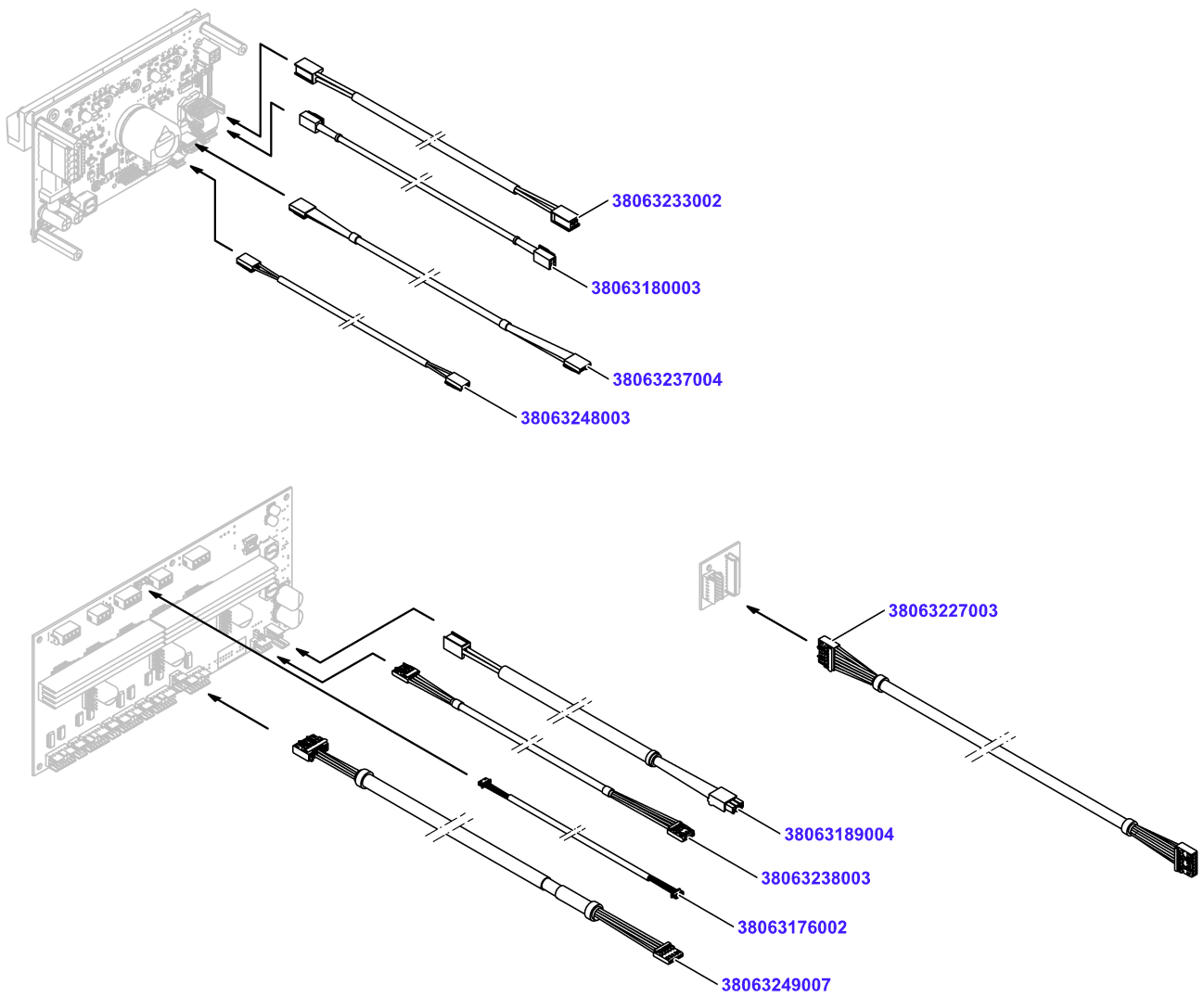
Wear part

Recomm. sp. part










Metr. relevance



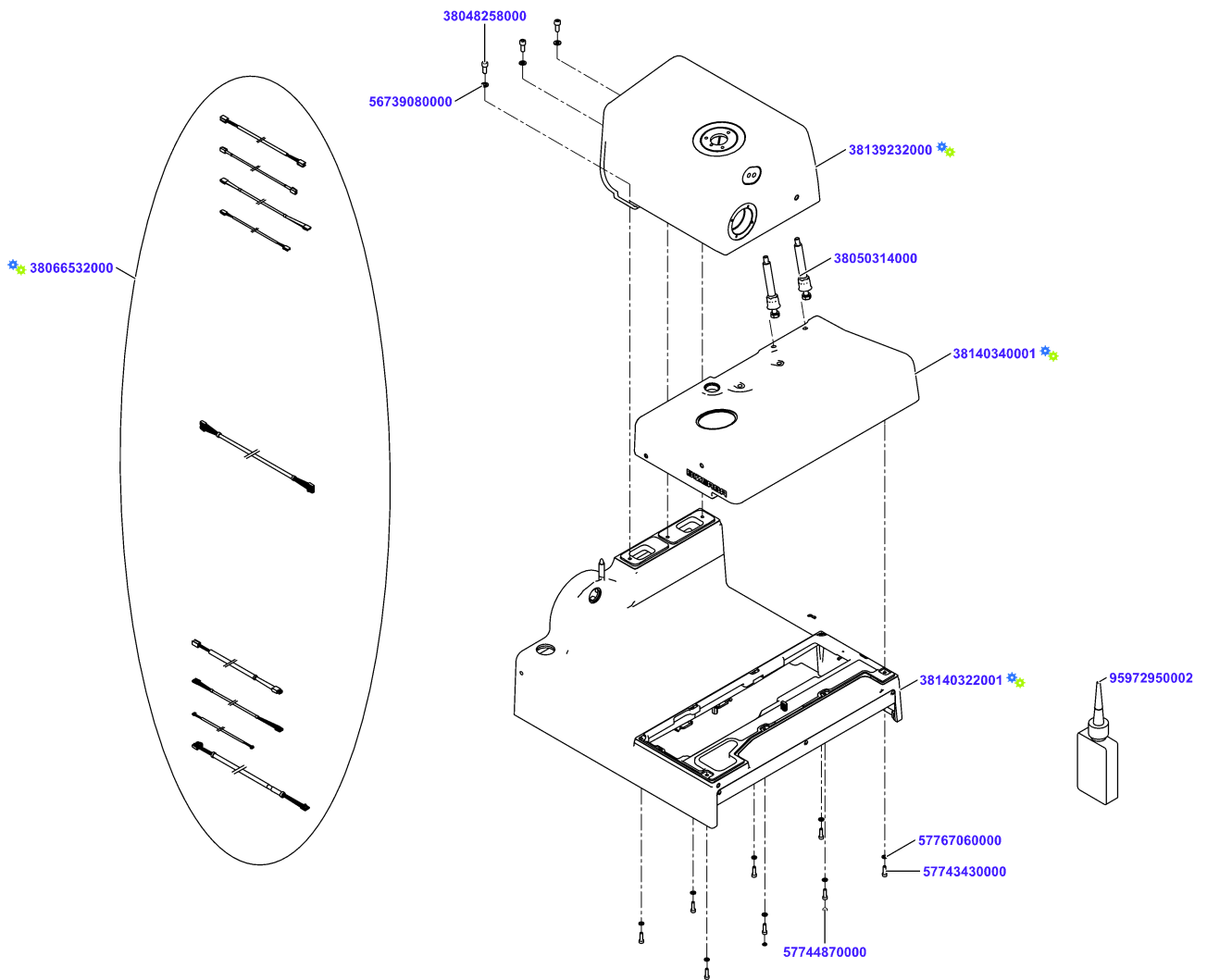
Cable set standard



Cable set standard

Material No.	Qty	Material description	available for order	Wear part	Recomm. sp. part	Metr. relevance
38063180003	1	Ka Rd 4x0,14 1,05m				
38063248003	1	Ka Rd 2x0,34 1,05m				
38063237004	1	Ka Rd 2x2x24AWG 0,87m				
38063233002	1	Ka Rd 2x0,75 0,77m				
38063238003	1	Ka Rd 2x2x24AWG 0,29m				
38063176002	1	Ka Rd 4x0,14 0,66m				
38063189004	1	Ca Rd 2x0,75 0,29m				
38063249007	1	Ka Rd 2x2xAWG26 0,38m				
38063227003	1	Ka Rd 8x2x0,14 0,50m				

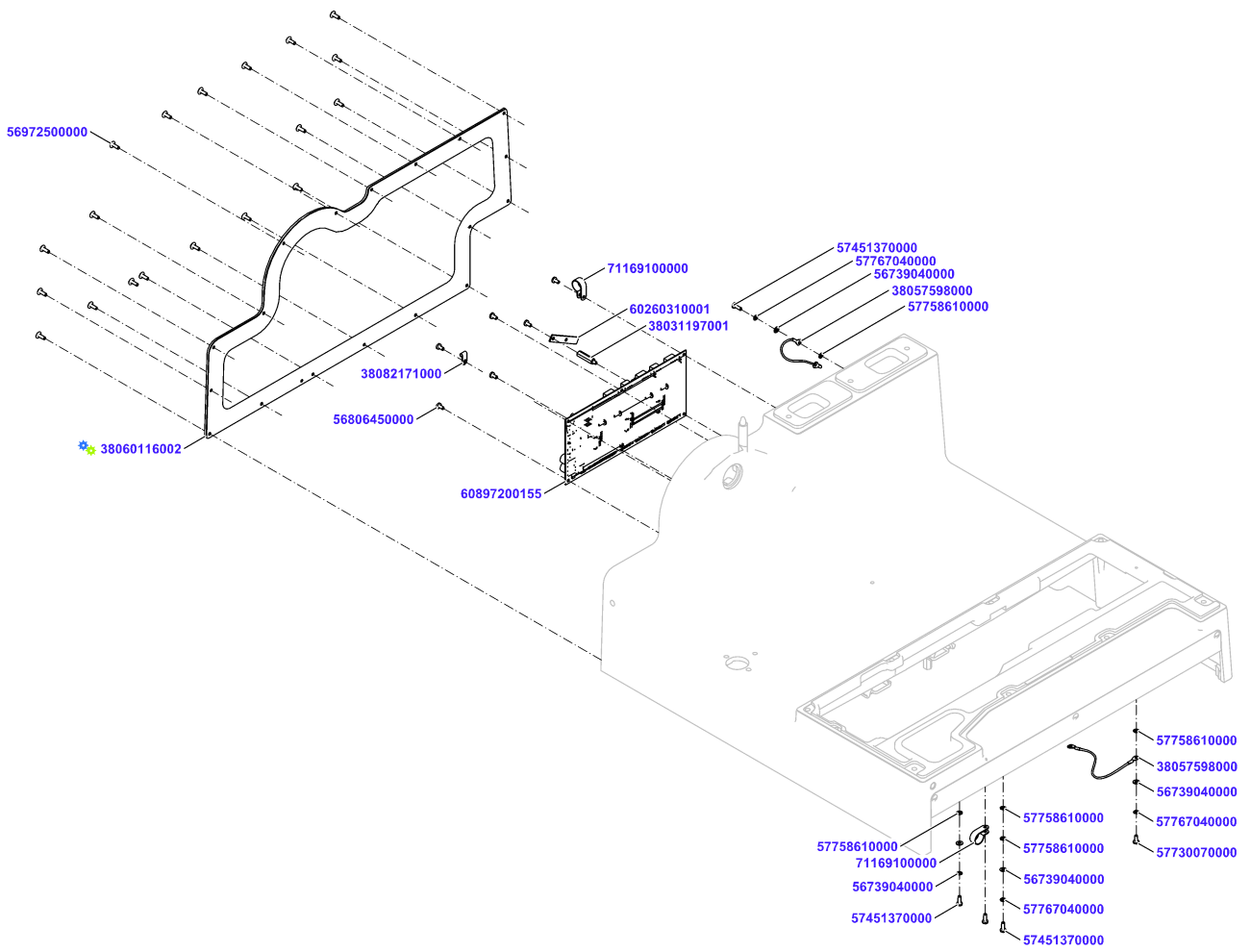
Housing W Dt



Housing W Dt

Material No.	Qty	Material description	available for order	Wear part	Recomm. sp. part	Metr. relevance
38140322001	1	Drive Housing Dt cpl				
38140340001	1	Machine Housing cpl.				
57743430000	8	Cylinder screw DIN 912-M6x20-A2-70	✓			
57767060000	8	Spring lock washer DIN128-A6-FSt	✓			
57744870000	2	Protective plug 10x5,2x3,1-PE	✓		✓	
38050314000	1	Support motortower cpl	✓			
38139232000	1	Motor Tower W Dt cpl	✓			
38048258000	3	Cylinder screw ISO14579 M8x20-A2-70-T45	✓			
56739080000	3	Washer DIN125-A-8-A2	✓			
95972950002	1	Loctite 243 50 ml	✓			
38066532000	1	Cable set standard	✓			

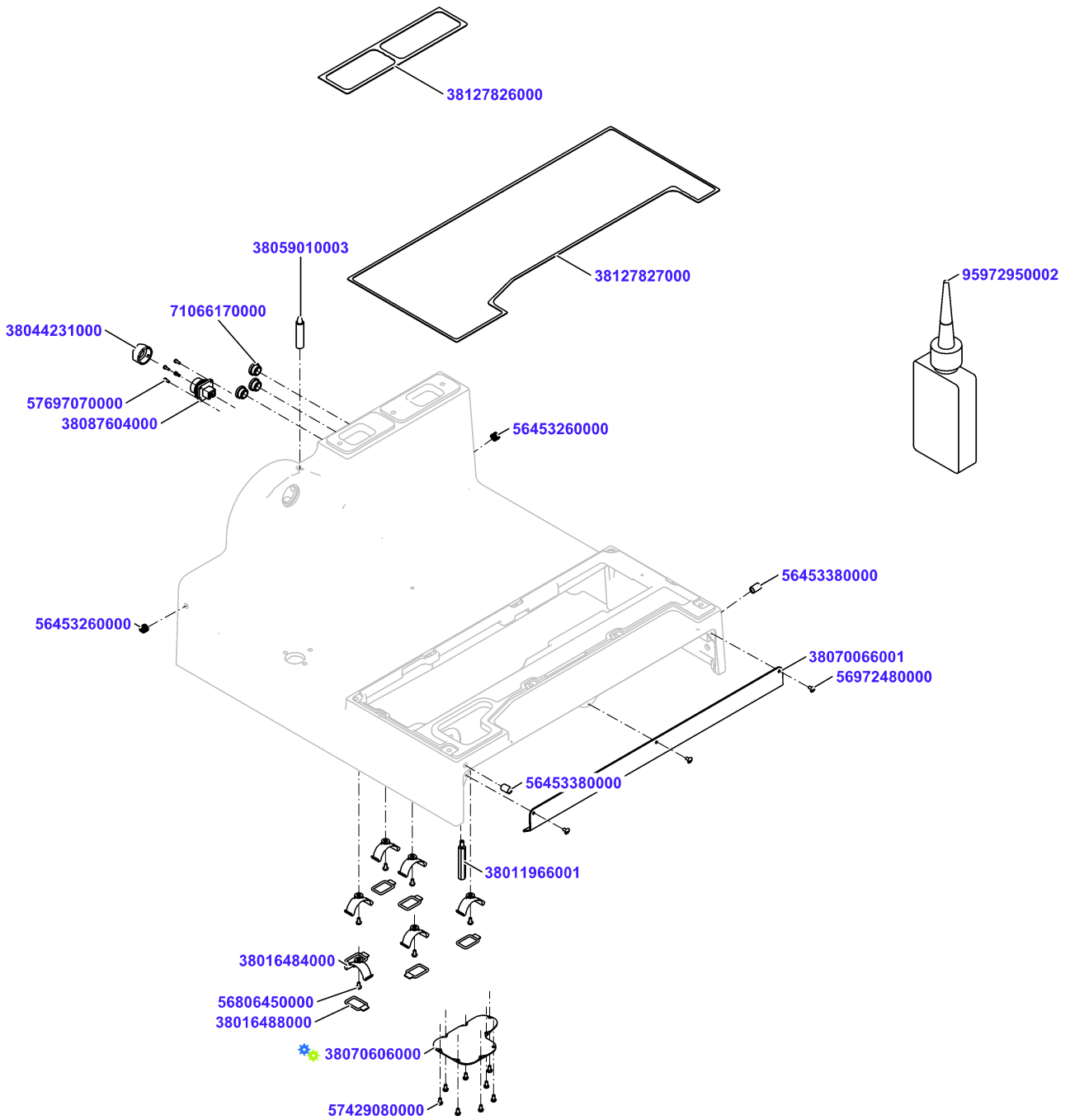
Drive Housing Dt cpl



Drive Housing Dt cpl

Material No.	Qty	Material description	available for order	Wear part	Recomm. sp. part	Metr. relevance
56806450000	6	Oval-head screw ISO14583 M4x8-A2-70-T20	✓			
60897200155	1	PCBAP MC 3ph 6ch lv bus				
38082171000	1	Fastening Clip 3mm closed metal				
71169100000	1	Cable Clamp nylon 14mm NK-10N				
38031197001	1	Thread Bolt M4				
60260310001	1	strap				
56806450000	6	Oval-head screw ISO14583 M4x8-A2-70-T20	✓			
38057598000	1	Ka Li GN/YE AWG18 0,22m				
57451370000	1	Oval-head screw ISO14583 M4x12-A2-70-T20	✓			
57767040000	1	Spring lock washer DIN128-A4-FSt	✓			
56739040000	1	Washer DIN125-A 4.3-A2-70	✓			
57758610000	1	Toothed washer DIN6797-A 4,3-Fst	✓			
38057598000	1	Ka Li GN/YE AWG18 0,22m				
57730070000	1	Oval-head screw ISO14583 M4x10-A2-70-T20	✓			
57767040000	1	Spring lock washer DIN128-A4-FSt	✓			
56739040000	1	Washer DIN125-A 4.3-A2-70	✓			
57758610000	1	Toothed washer DIN6797-A 4,3-Fst	✓			
57451370000	1	Oval-head screw ISO14583 M4x12-A2-70-T20	✓			
71169100000	1	Cable Clamp nylon 14mm NK-10N				
57451370000	2	Oval-head screw ISO14583 M4x12-A2-70-T20	✓			
57767040000	2	Spring lock washer DIN128-A4-FSt	✓			
56739040000	1	Washer DIN125-A 4.3-A2-70	✓			
57758610000	3	Toothed washer DIN6797-A 4,3-Fst	✓			
56739040000	1	Washer DIN125-A 4.3-A2-70	✓			
38060116002	1	Cover Drivehousing prem				
56972500000	19	Mushroom head screw M4x12-A2-70	✓			

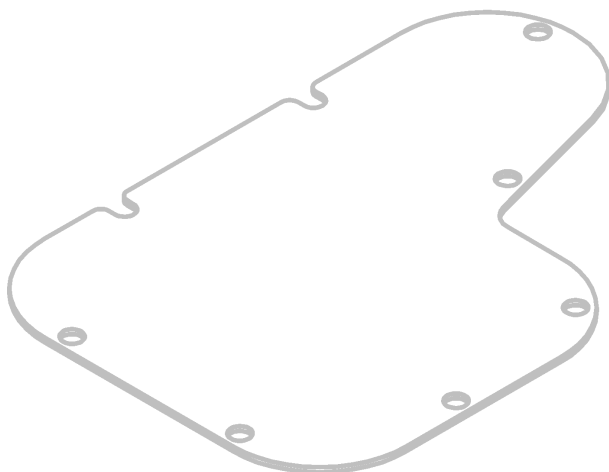
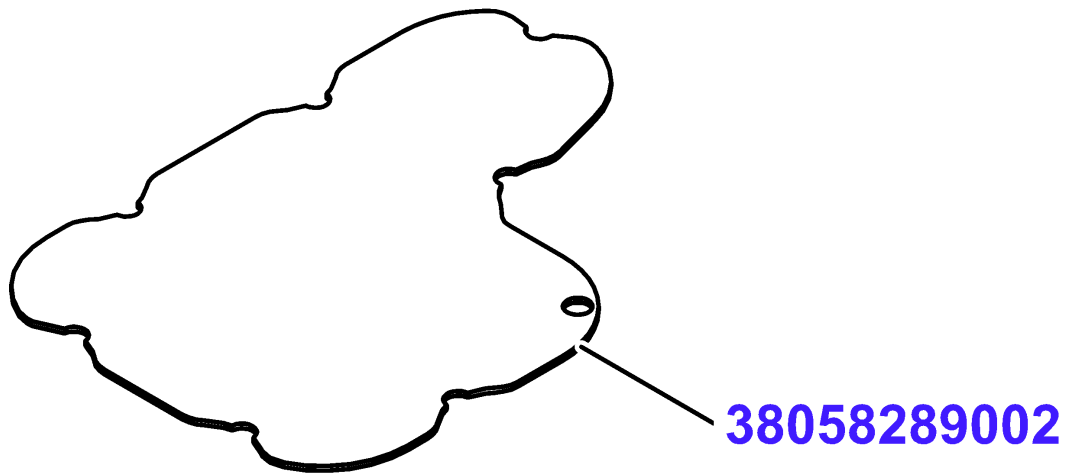
Drive Housing Dt cpl



Drive Housing Dt cpl

Material No.	Qty	Material description	available for order	Wear part	Recomm. sp. part	Metr. relevance
56453380000	2	Threaded insert M10x15	✓			
56453260000	2	Threaded insert M10x10	✓			
38059010003	1	Catching Bolt	✓			
95972950002	1	Loctite 243 50 ml	✓			
38016484000	6	Cradle Clip C3	✓			
56806450000	6	Oval-head screw ISO14583 M4x8-A2-70-T20	✓			
38016488000	6	Retaining Ring R3	✓			
56806450000	6	Oval-head screw ISO14583 M4x8-A2-70-T20	✓			
38011966001	1	Distance bolt 10x60 M6-M6 In-Out	✓			
38070066001	1	Cover	✓			
56972480000	3	Mushroom head screw M4x8-A2-70 Tuflok	✓			
38070606000	1	Cover prem	✓			
57429080000	8	Hexagon screw DIN933 M4x8 A2-70	✓			
38044231000	1	Protection Cap Flangehousing	✓			
38087604000	1	Connector Metal Bayonett RJ45 Ethernet	✓			
57697070000	4	Cylinder screw DIN84 M3x8-A2-70	✓			
71066170000	3	Blind plug BLK- M16	✓			

Cover prem



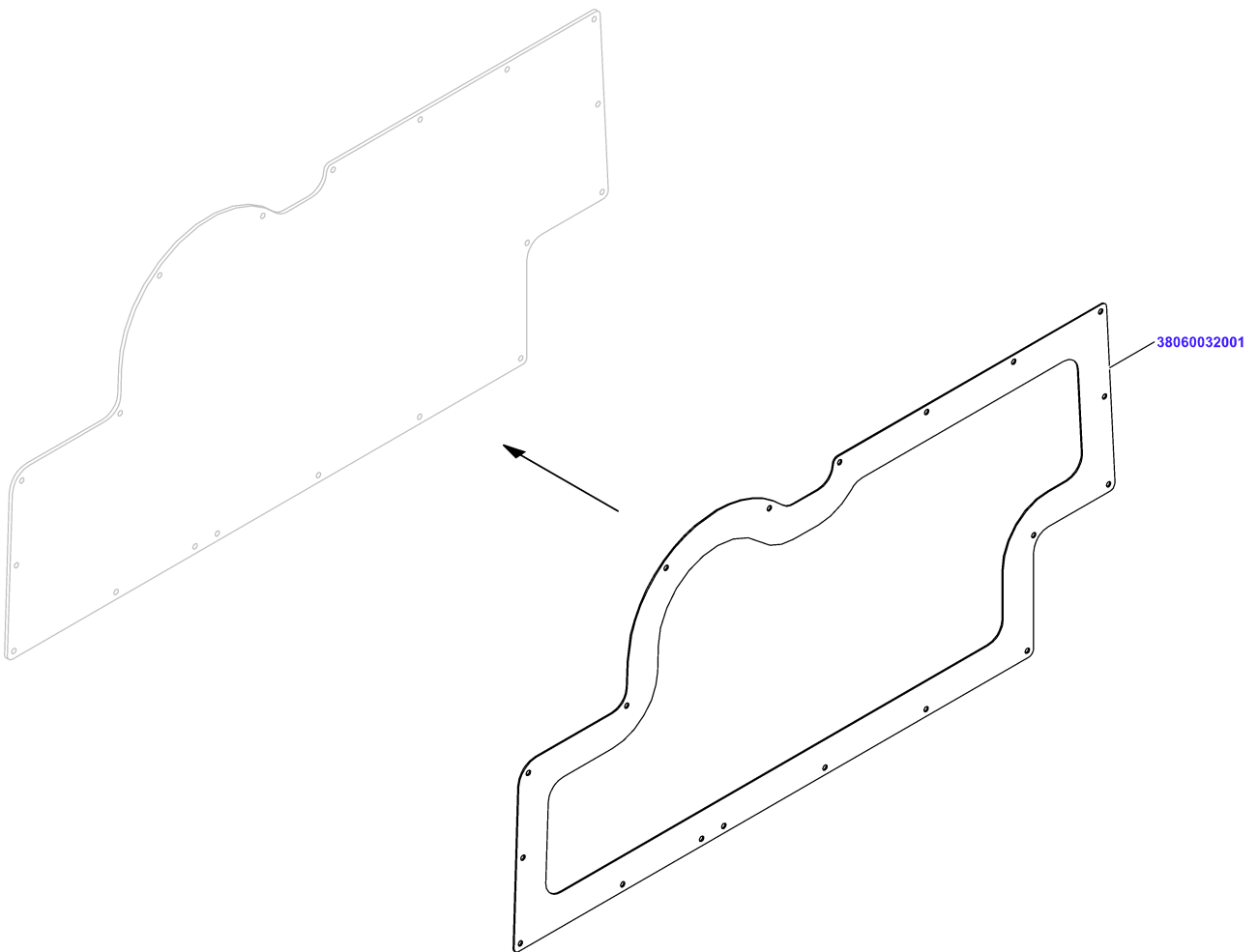
Cover prem

Material No.	Qty	Material description
--------------	-----	----------------------

38058289002	1	Sealing
-----------------------------	---	---------

available for order
Wear part
Recomm. sp. part
Metr. relevance

Cover Drivehousing prem



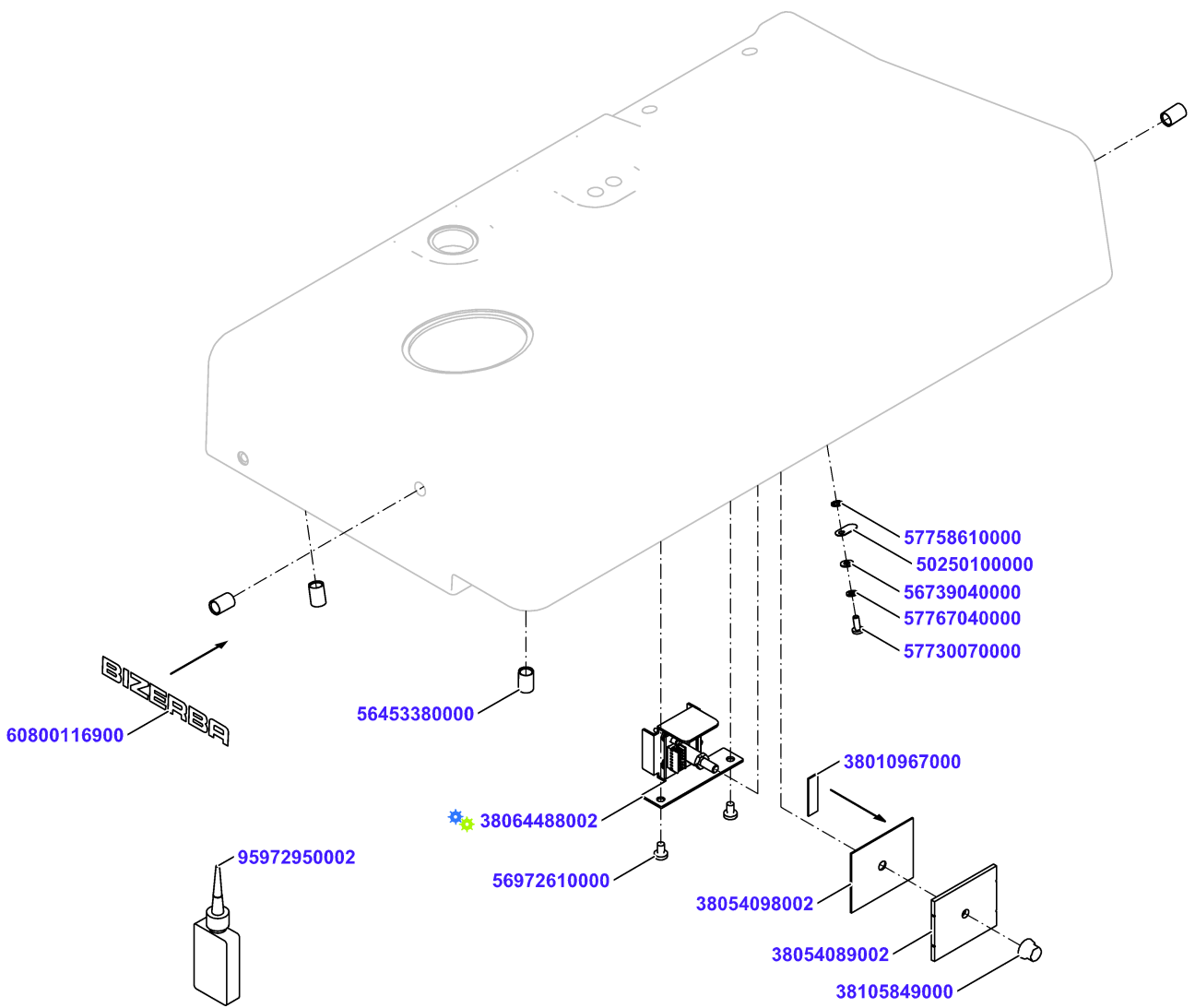
Cover Drivehousing prem

Material No.	Qty	Material description
--------------	-----	----------------------

38060032001	1	Sealing
-------------	---	---------

available for order
Wear part
Recomm. sp. part
Metr. relevance

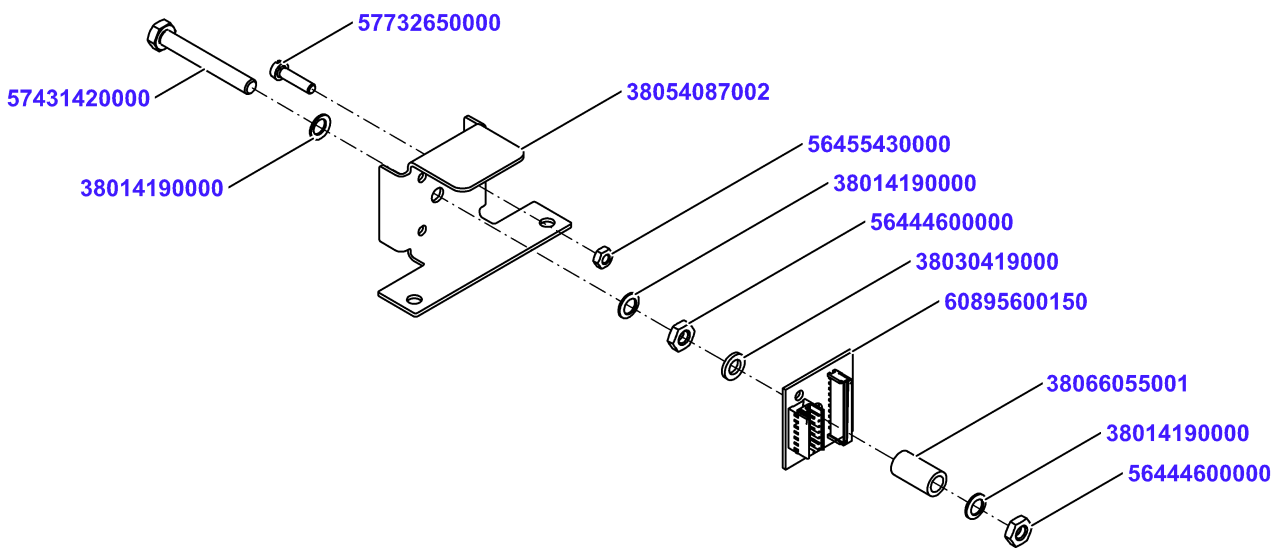
Machine Housing cpl.














Machine Housing cpl.

Material No.	Qty	Material description	available for order	Wear part	Recomm. sp. part	Metr. relevance
56453380000	4	Threaded insert M10x15	✓			
38064488002	1	Connector ribbon cable				
56972610000	2	Mushroom head screw M5x6-A2-70	✓			
38010967000	1	Sealing	✓		✓	
38054098002	1	Seal	✓		✓	
38054089002	1	cover inside	✓			
38105849000	1	Cap nut-M6 -1.4404	✓			
95972950002	0,001	Loctite 243 50 ml	✓			
57758610000	1	Toothed washer DIN6797-A 4,3-Fst	✓			
50250100000	1	Grounding Plate 9x17/4.3 D	✓			
56739040000	1	Washer DIN125-A 4.3-A2-70	✓			
57767040000	1	Spring lock washer DIN128-A4-FSt	✓			
57730070000	1	Oval-head screw ISO14583 M4x10-A2-70-T20	✓			
60800116900	1	Bizerba character font	✓			

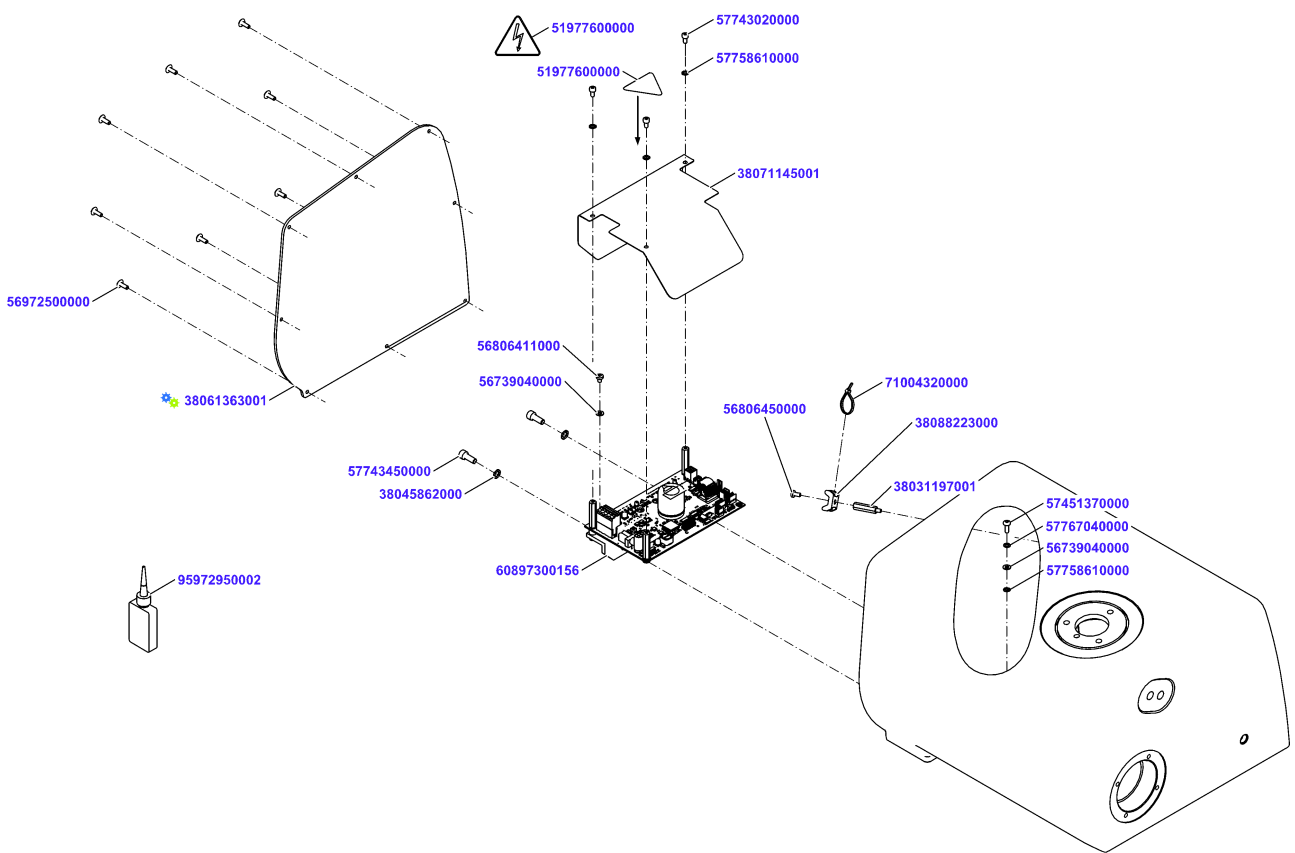
Connector ribbon cable



Connector ribbon cable

Material No.	Qty	Material description	available for order	Wear part	Recomm. sp. part	Metr. relevance
38054087002	1	Mounting Bracket				
57431420000	1	Hexagon screw DIN933 M6x45 A2-70				
38014190000	2	Retaining washer S6-A2				
56444600000	1	Hexagon nut DIN439-M6-A2				
38030419000	1	thrust washer				
60895600150	1	PCBA Intermediate Board 2				
38066055001	1	tube				
38014190000	1	Retaining washer S6-A2				
56444600000	1	Hexagon nut DIN439-M6-A2				
57732650000	1	Cylinder screw DIN84 M4x16				
56455430000	1	Hexagon nut DIN934-M4-PA 66				

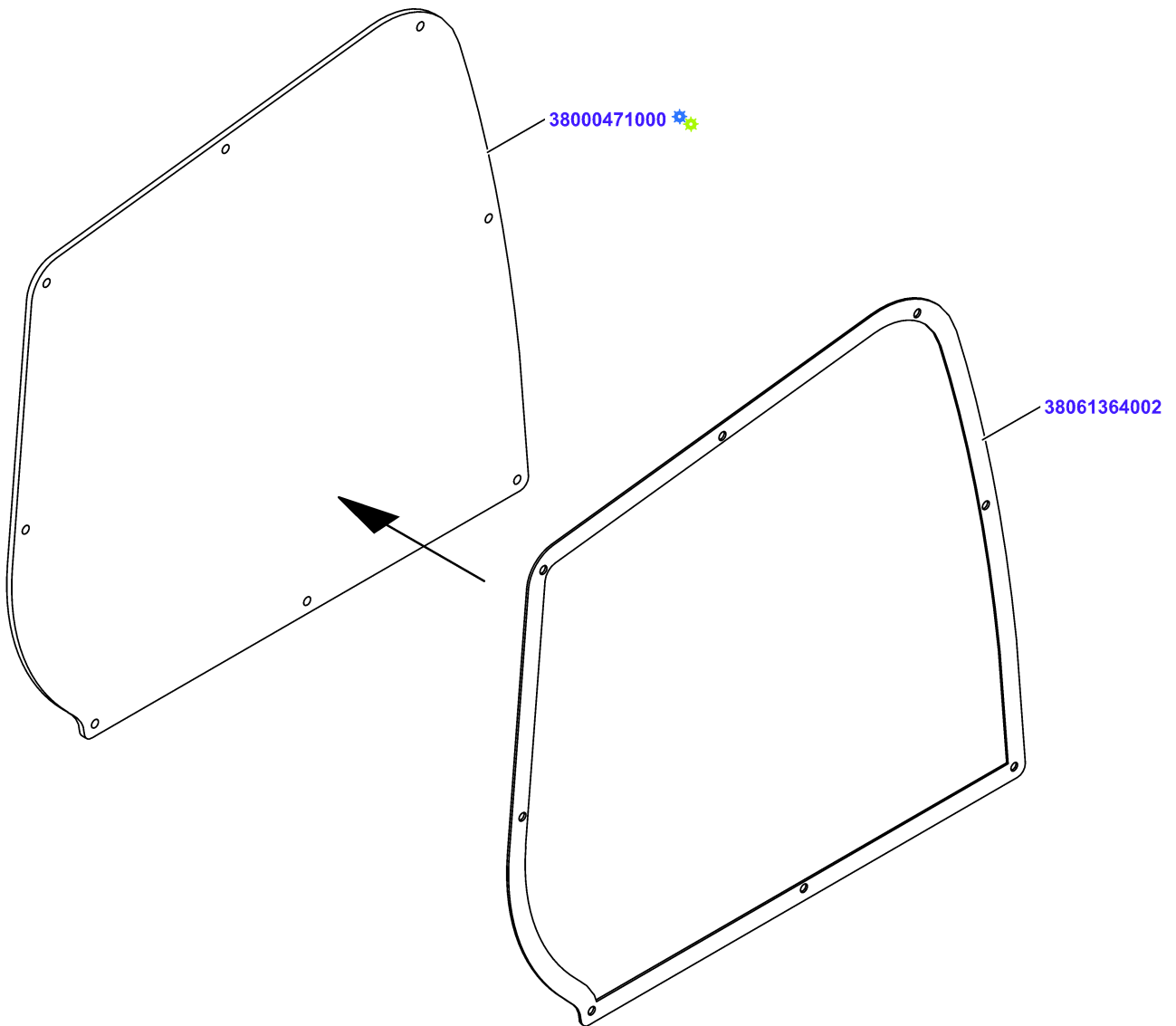
Motor Tower W Dt cpl



Motor Tower W Dt cpl



Material No.	Qty	Material description	available for order	Wear part	Recomm. sp. part	Metr. relevance
60897300156	1	PCBAP MC 3ph 2ch hv bus	✓			
57743450000	2	Cylinder screw DIN912 M6x16-A2-70	✓			
38045862000	2	Toothed washer DIN6797-A 6,4-A2	✓			
56806450000	1	Oval-head screw ISO14583 M4x8-A2-70-T20	✓			
56739040000	1	Washer DIN125-A 4.3-A2-70	✓			
38071145001	1	Protection Plate	✓			
57743020000	3	Cylinder screw DIN912 M4x8-A2-70	✓			
57758610000	3	Toothed washer DIN6797-A 4,3-Fst	✓			
51977600000	1	Warning plate with danger arrow 50	✓			
38031197001	1	Thread Bolt M4	✓			
38088223000	1	Fastening Socket 9mm	✓			
56806450000	1	Oval-head screw ISO14583 M4x8-A2-70-T20	✓			
95972950002	0,001	Loctite 243 50 ml	✓			
71004320000	1	Cable Tie T40R	✓			
38061363001	1	Cover Motor Tower prem	✓			
56972500000	8	Mushroom head screw M4x12-A2-70	✓			
56739040000	1	Washer DIN125-A 4.3-A2-70	✓			
57451370000	1	Oval-head screw ISO14583 M4x12-A2-70-T20	✓			
57767040000	1	Spring lock washer DIN128-A4-FSt	✓			
57758610000	1	Toothed washer DIN6797-A 4,3-Fst	✓			

Cover Motor Tower prem

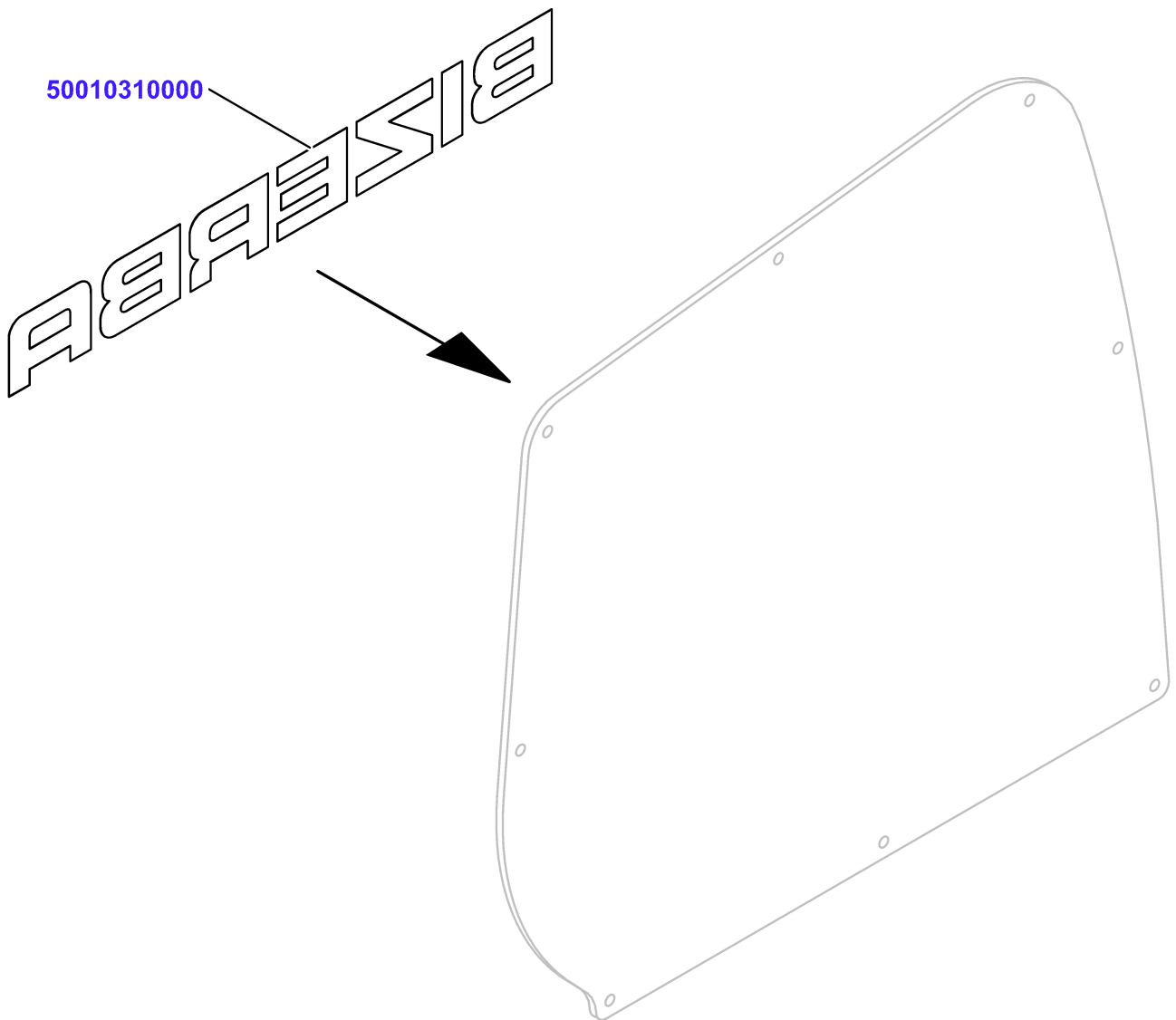


Cover Motor Tower prem

Material No.	Qty	Material description
38061364002	1	Sealing
38000471000	1	Cover Motor Tower


available for order	Wear part	Recomm. sp. part	Metr. relevance
			

Cover Motor Tower

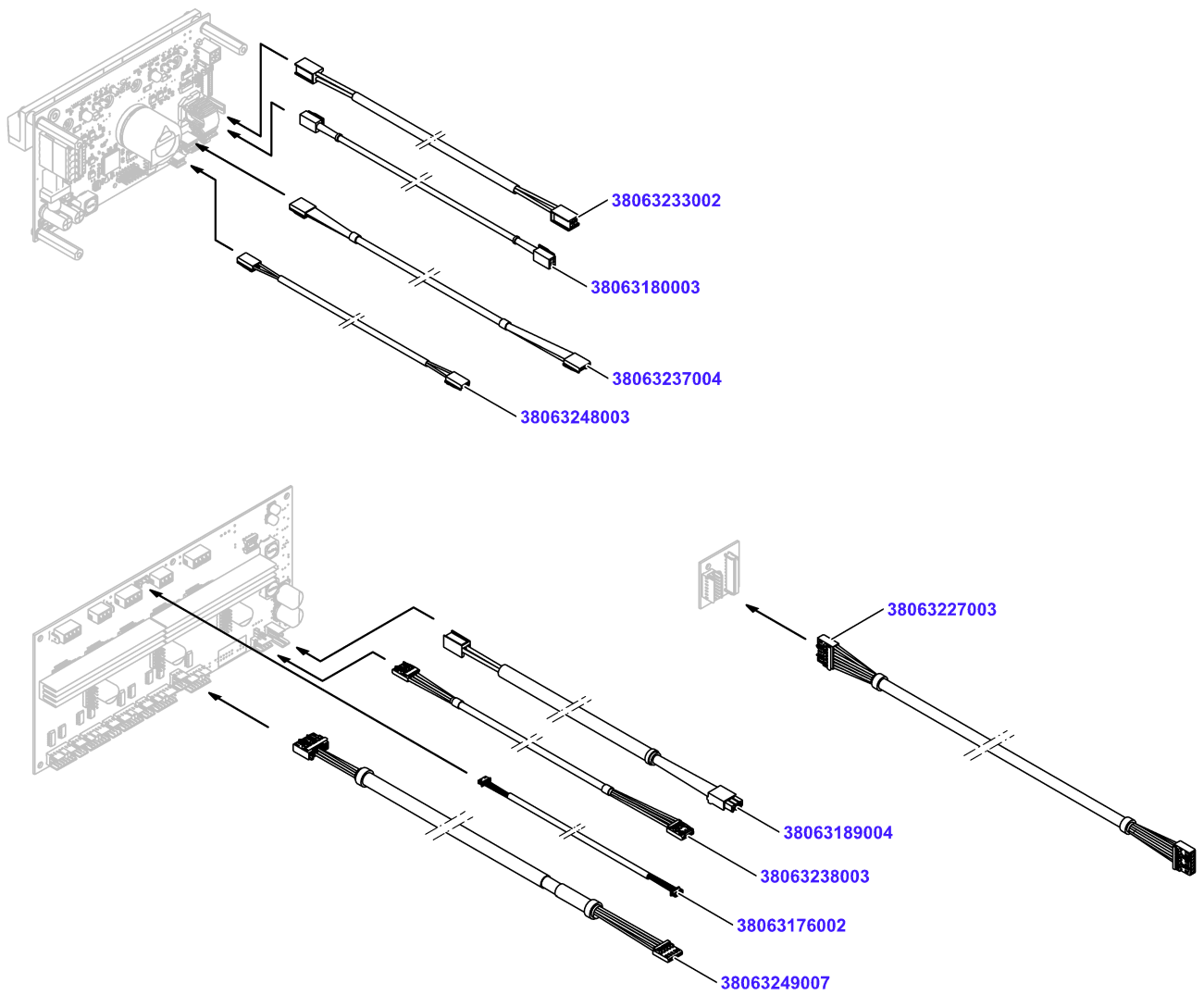


Cover Motor Tower










Material No.	Qty	Material description
50010310000	1	Bizerba Lettering L255 H30

	available for order
	Wear part
	Recomm. sp. part
	Metr. relevance

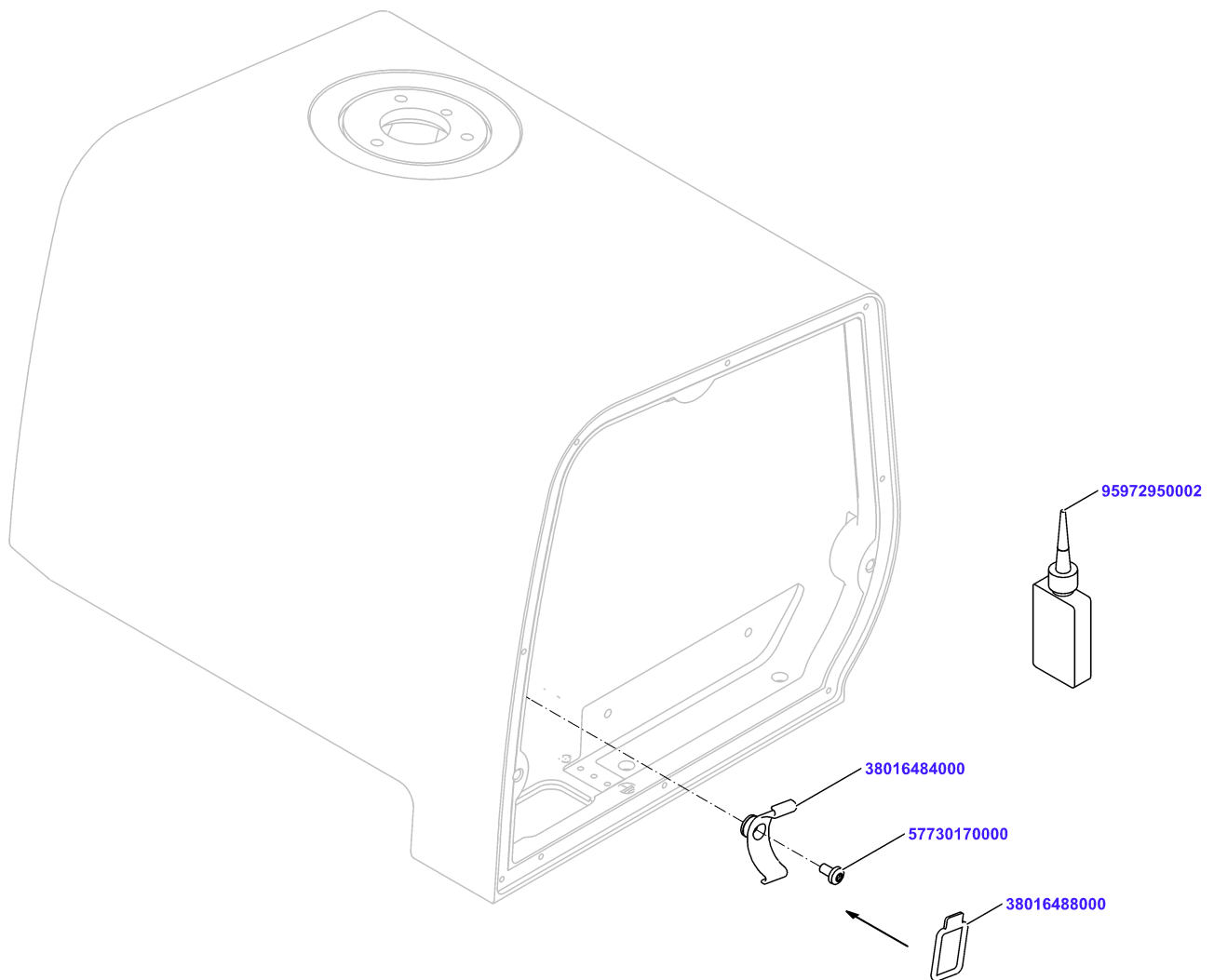
Cable set standard







Cable set standard

Material No.	Qty	Material description	available for order	Wear part	Recomm. sp. part	Metr. relevance
38063180003	1	Ka Rd 4x0,14 1,05m				
38063248003	1	Ka Rd 2x0,34 1,05m				
38063237004	1	Ka Rd 2x2x24AWG 0,87m				
38063233002	1	Ka Rd 2x0,75 0,77m				
38063238003	1	Ka Rd 2x2x24AWG 0,29m				
38063176002	1	Ka Rd 4x0,14 0,66m				
38063189004	1	Ca Rd 2x0,75 0,29m				
38063249007	1	Ka Rd 2x2xAWG26 0,38m				
38063227003	1	Ka Rd 8x2x0,14 0,50m				

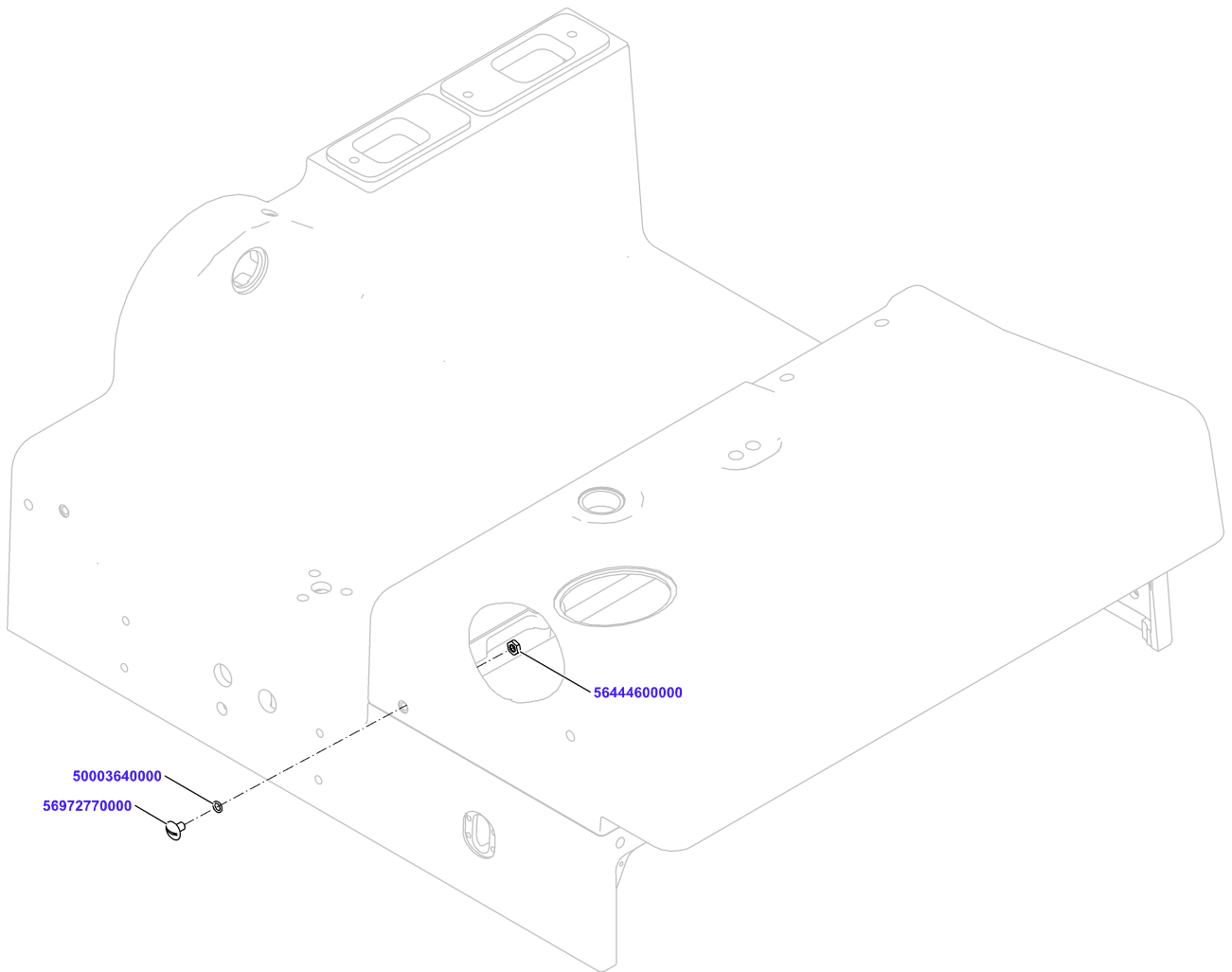
Cable Fixing cpl.






Cable Fixing cpl.

Material No.	Qty	Material description	available for order	Wear part	Recomm. sp. part	Metr. relevance
38016484000	1	Cradle Clip C3				
57730170000	1	Oval-head screw ISO14583 M5x10-A2-70-T25				
95972950002	0,001	Loctite 243 50 ml				
38016488000	1	Retaining Ring R3				

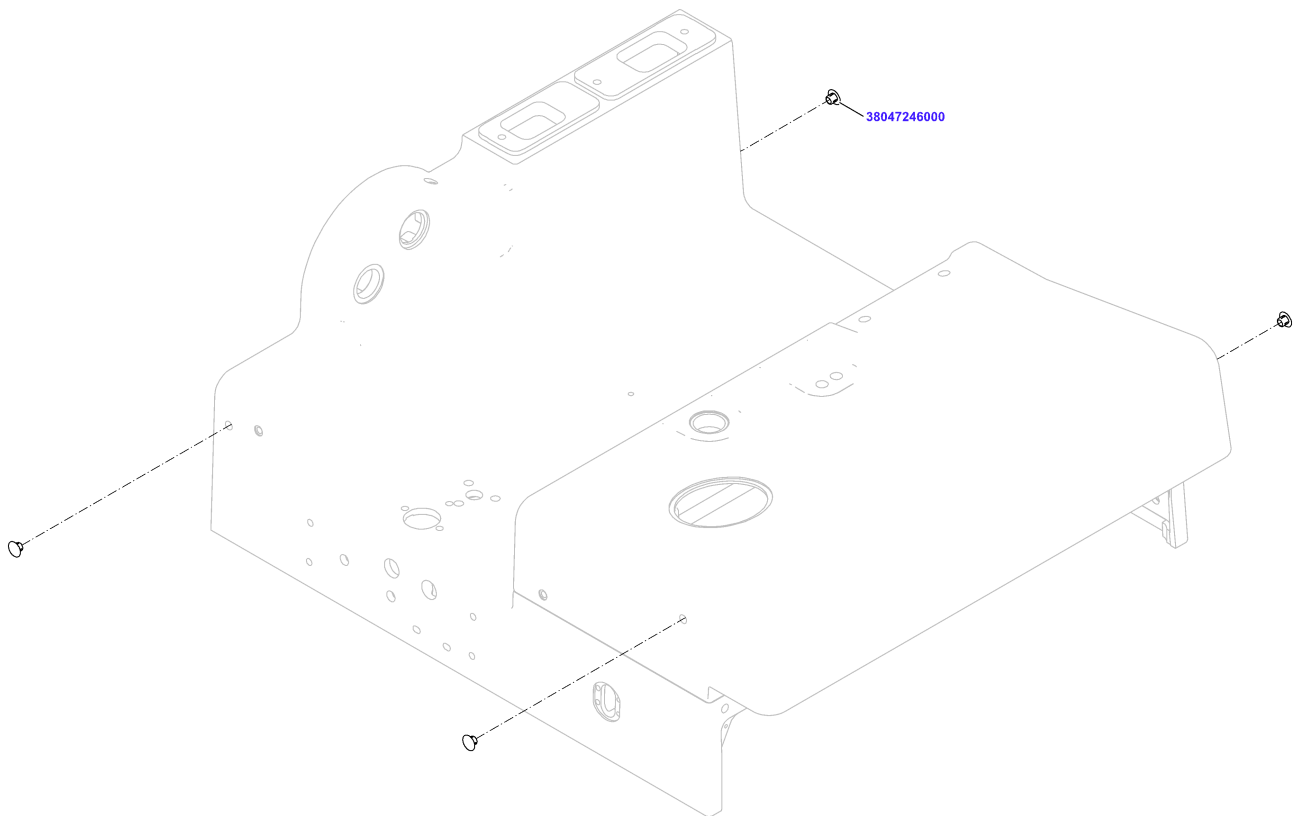
Screw Plug Machine Housing cpl



Screw Plug Machine Housing cpl

Material No.	Qty	Material description	available for order	Wear part	Recomm. sp. part	Metr. relevance
56972770000	1	Mushroom head screw M6x10-A2-70				
56444600000	1	Hexagon nut DIN439-M6-A2				
50003640000	1	O-ring DIN3771 6x1,5 NBR				

Covering Cap Set Carry Handles

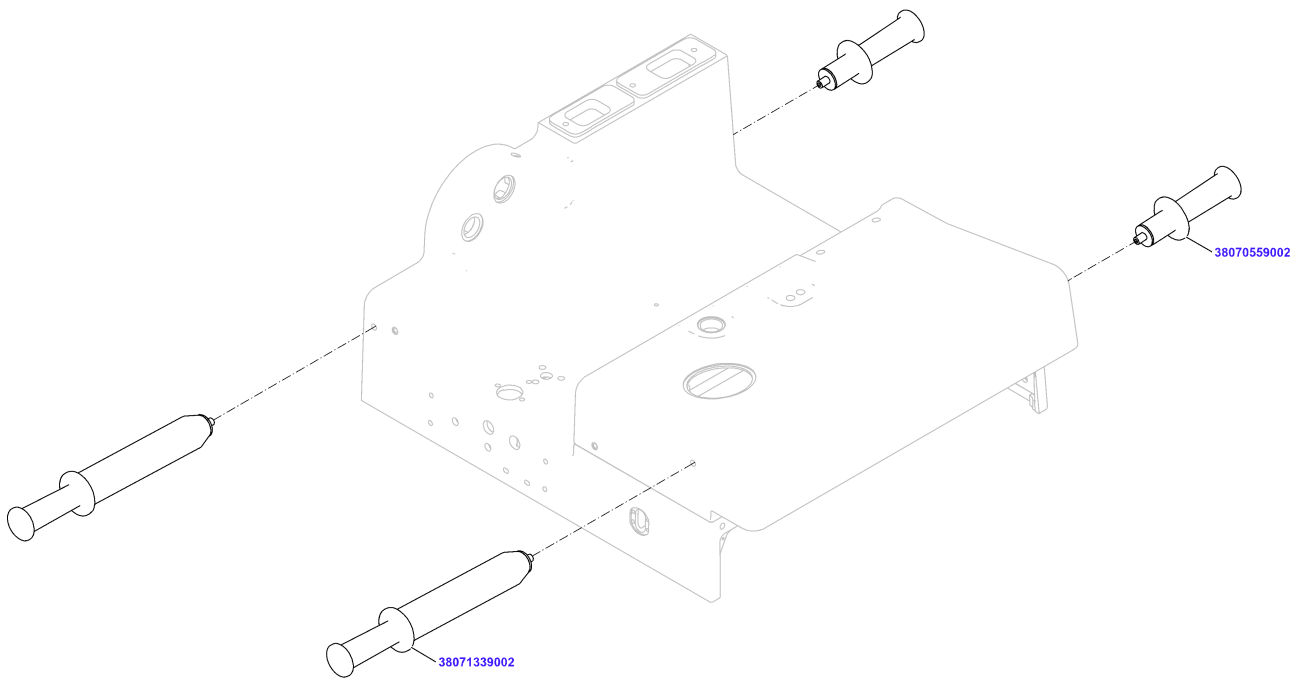


Covering Cap Set Carry Handles

Material No.	Qty	Material description
38047246000	8	Protective plug 15x8x6,9-PE





available for order
Wear part
Recomm. sp. part
Metr. relevance

Carry Handles Set VSI

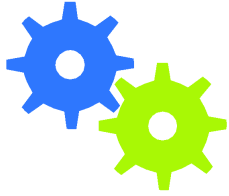


Carry Handles Set VSI

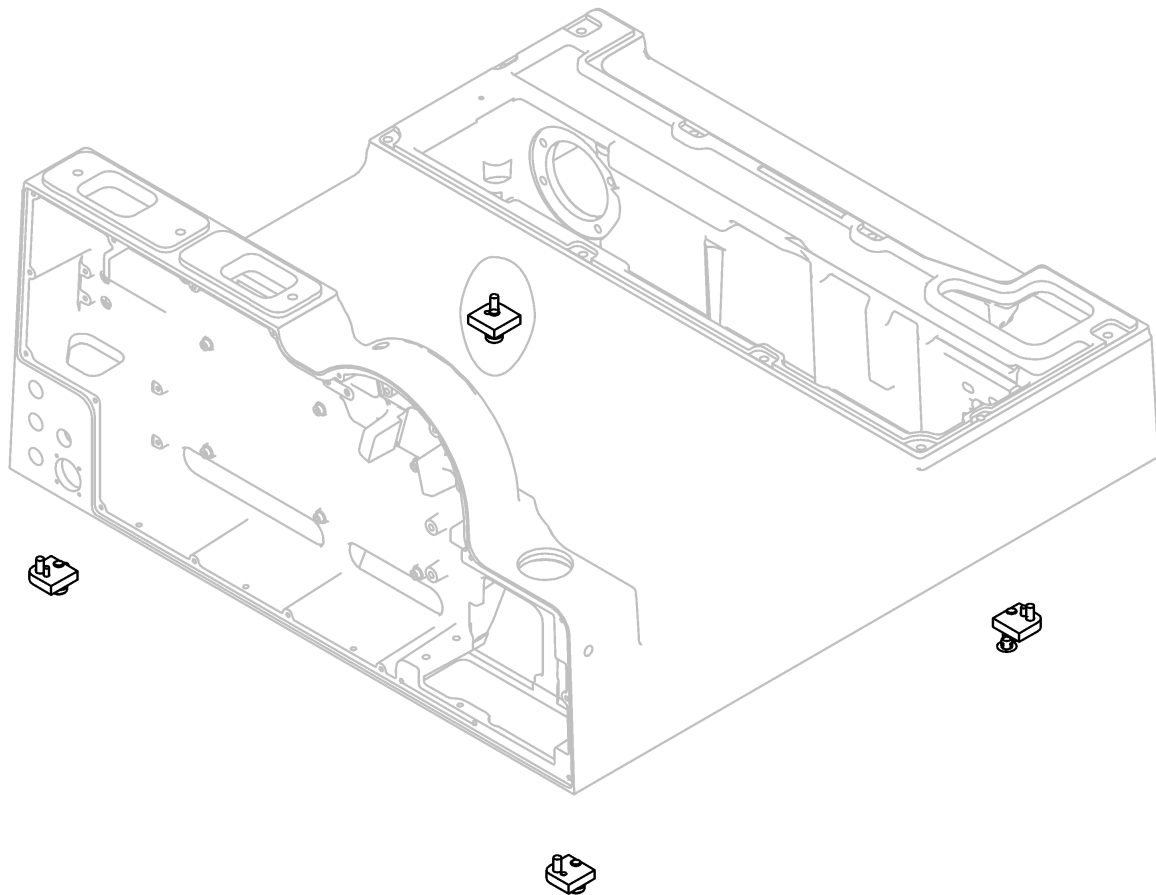
Material No.	Qty	Material description
38070559002	2	Handle preass
38071339002	2	Handle long preass

available for order	Wear part	Recomm. sp. part	Metr. relevance
			
			

Installations



38144364000



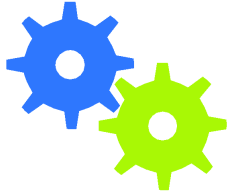
Installations

Material No. **Qty** **Material description**

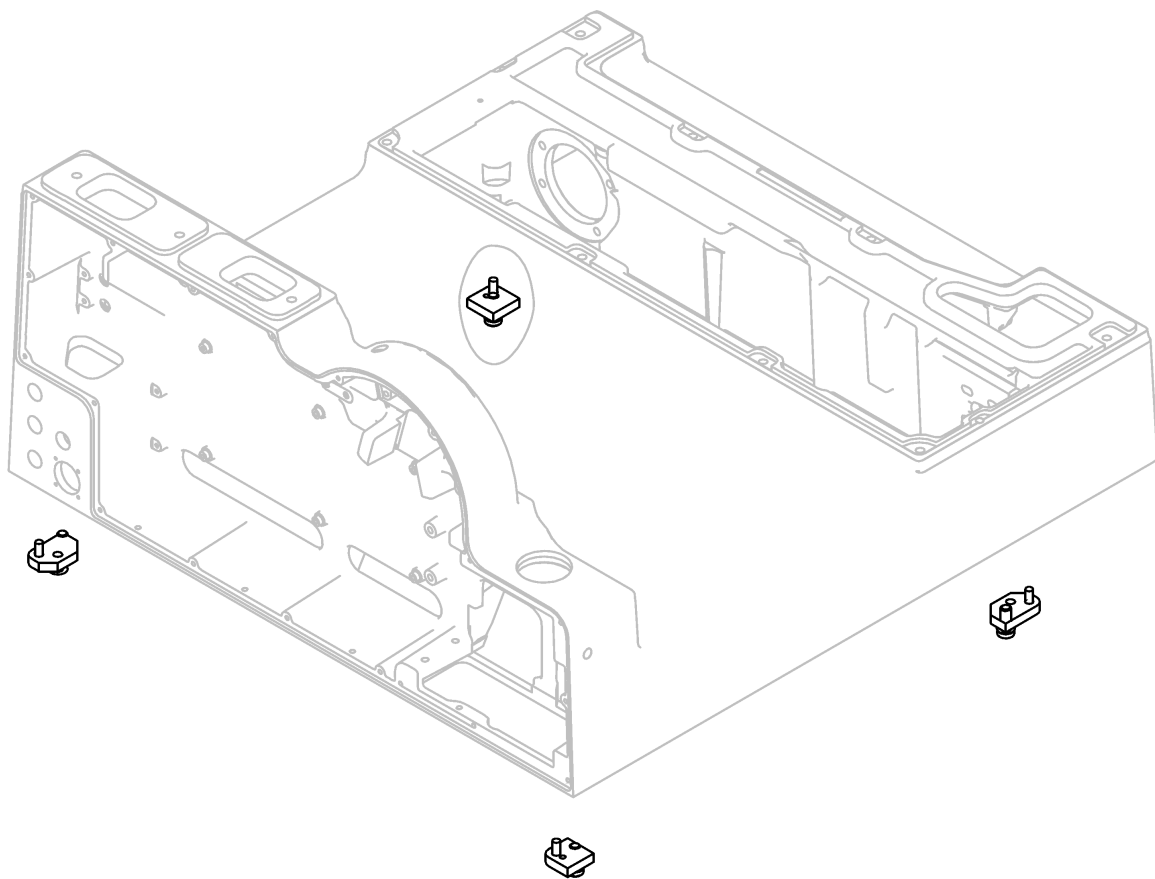
[38144364000](#) 1 Plate Kit

available for order
Wear part
Recomm. sp. part
Metr. relevance

Installations



38144365000



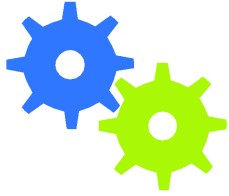
Installations

Material No. **Qty** **Material description**

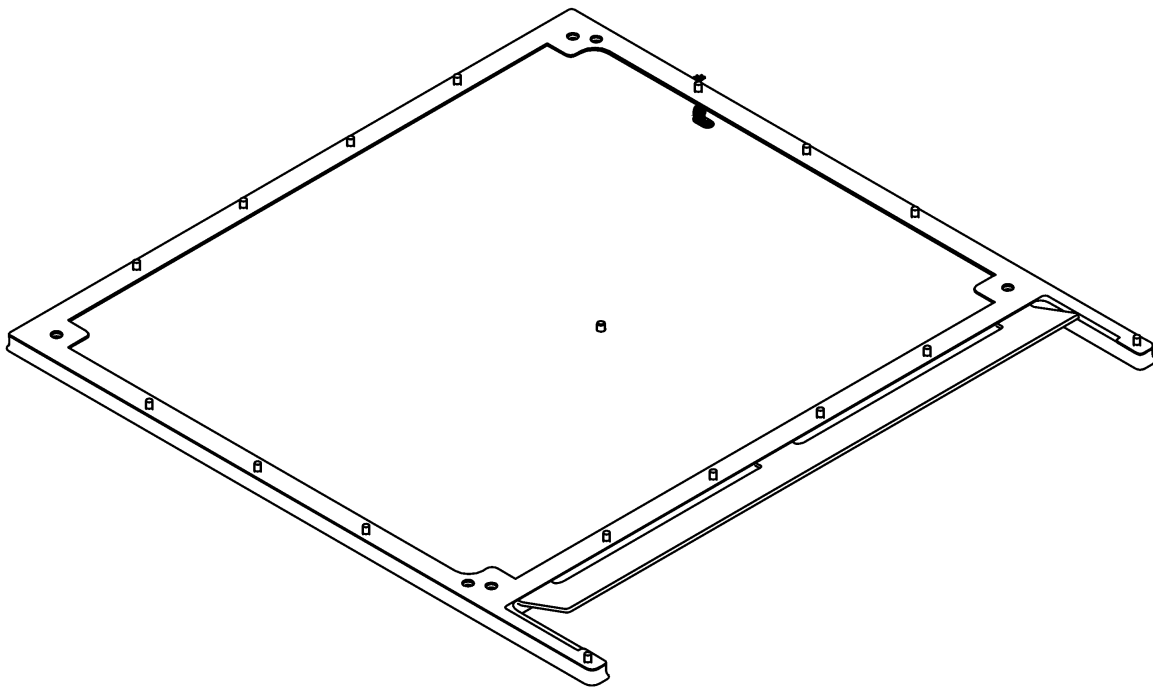
[38144365000](#) 1 Plate Kit light

available for order
Wear part
Recomm. sp. part
Metr. relevance

Installations



38144367000



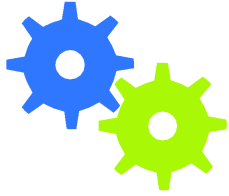
Installations

Material No. **Qty** **Material description**

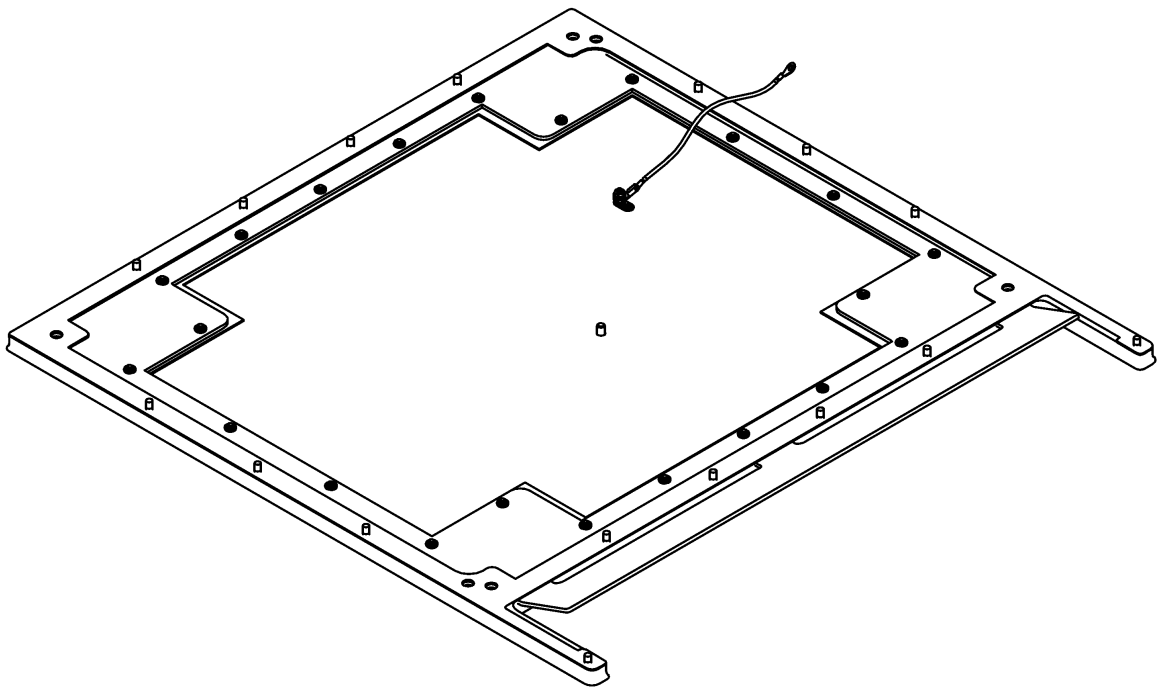
[38144367000](#) 1 Set up VSI cpl.

available for order
Wear part
Recomm. sp. part
Metr. relevance

Installations



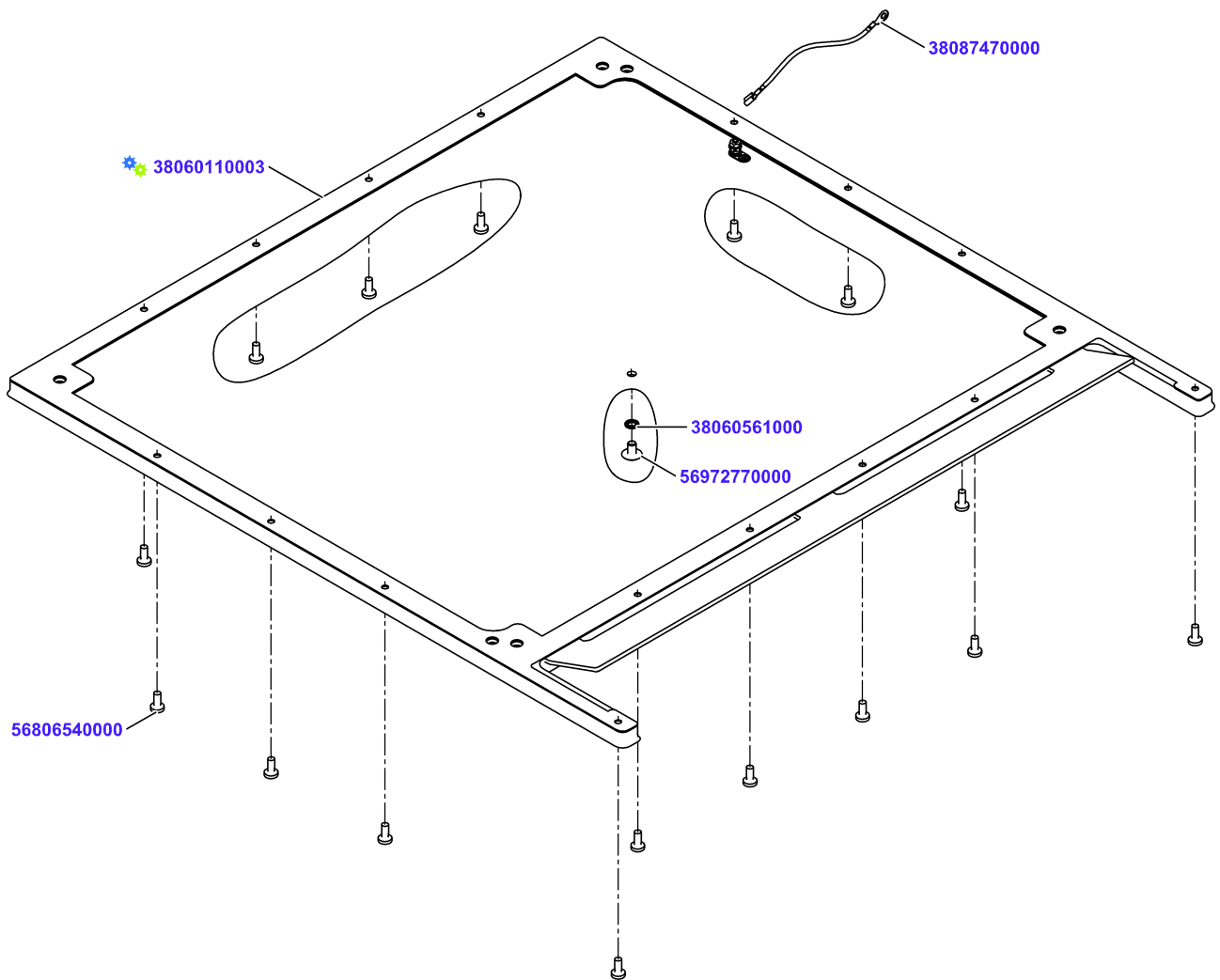
38144368000



Installations

Material No.	Qty	Material description	available for order	Wear part	Recomm. sp. part	Metr. relevance
38144368000	1	Setup VSI w. Service Cover cpl				

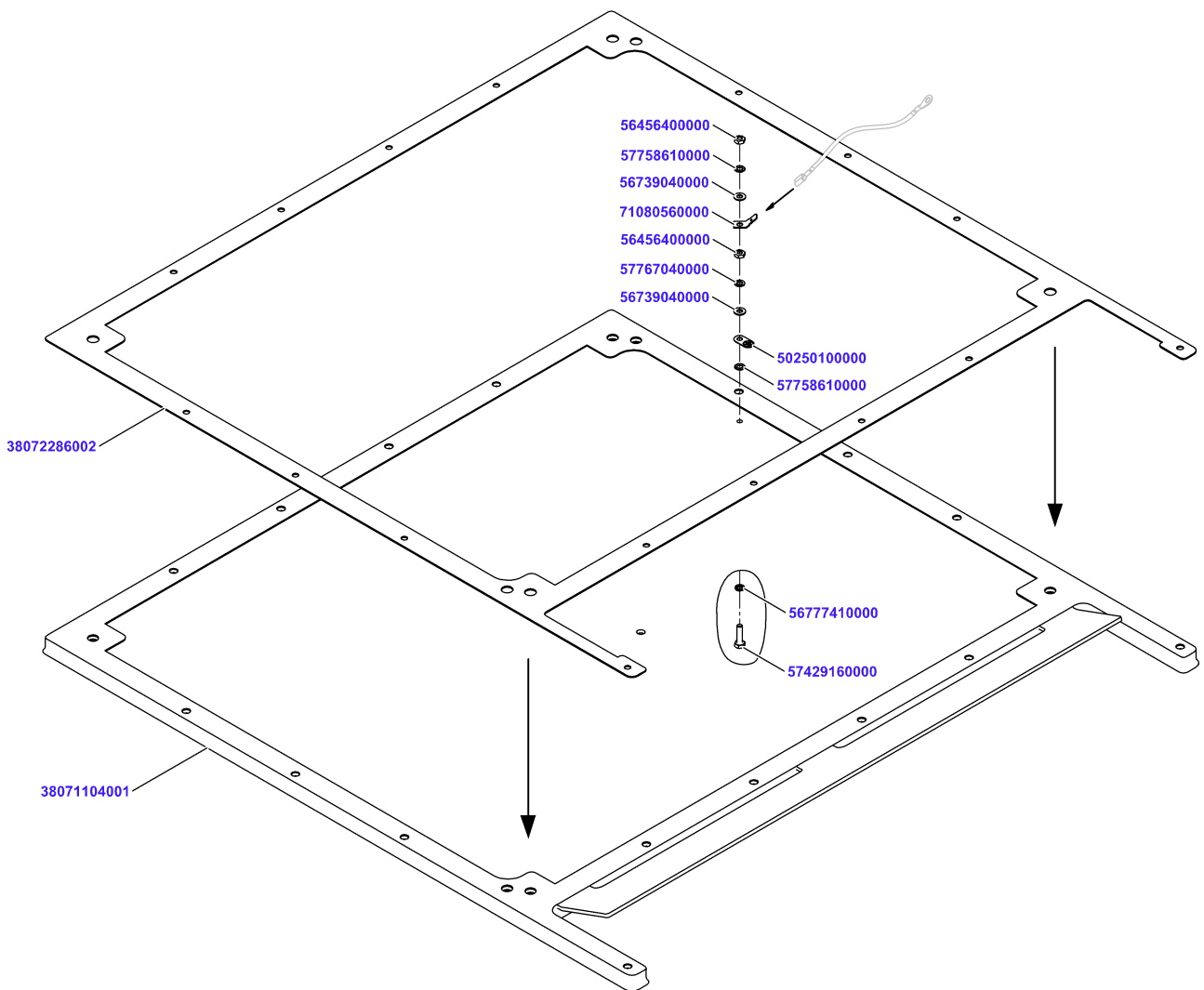
Set up VSI cpl.



Set up VSI cpl.

Material No.	Qty	Material description	available for order	Wear part	Recomm. sp. part	Metr. relevance
38060110003	1	Setup preass.				
38087470000	1	Ka Li GN/YE AWG18 0,5m	✓			
56806540000	16	Oval-head screw DIN7985 M5x12-A2-70	✓			
56972770000	1	Mushroom head screw M6x10-A2-70	✓			
38060561000	1	Screw seal M6	✓		✓	

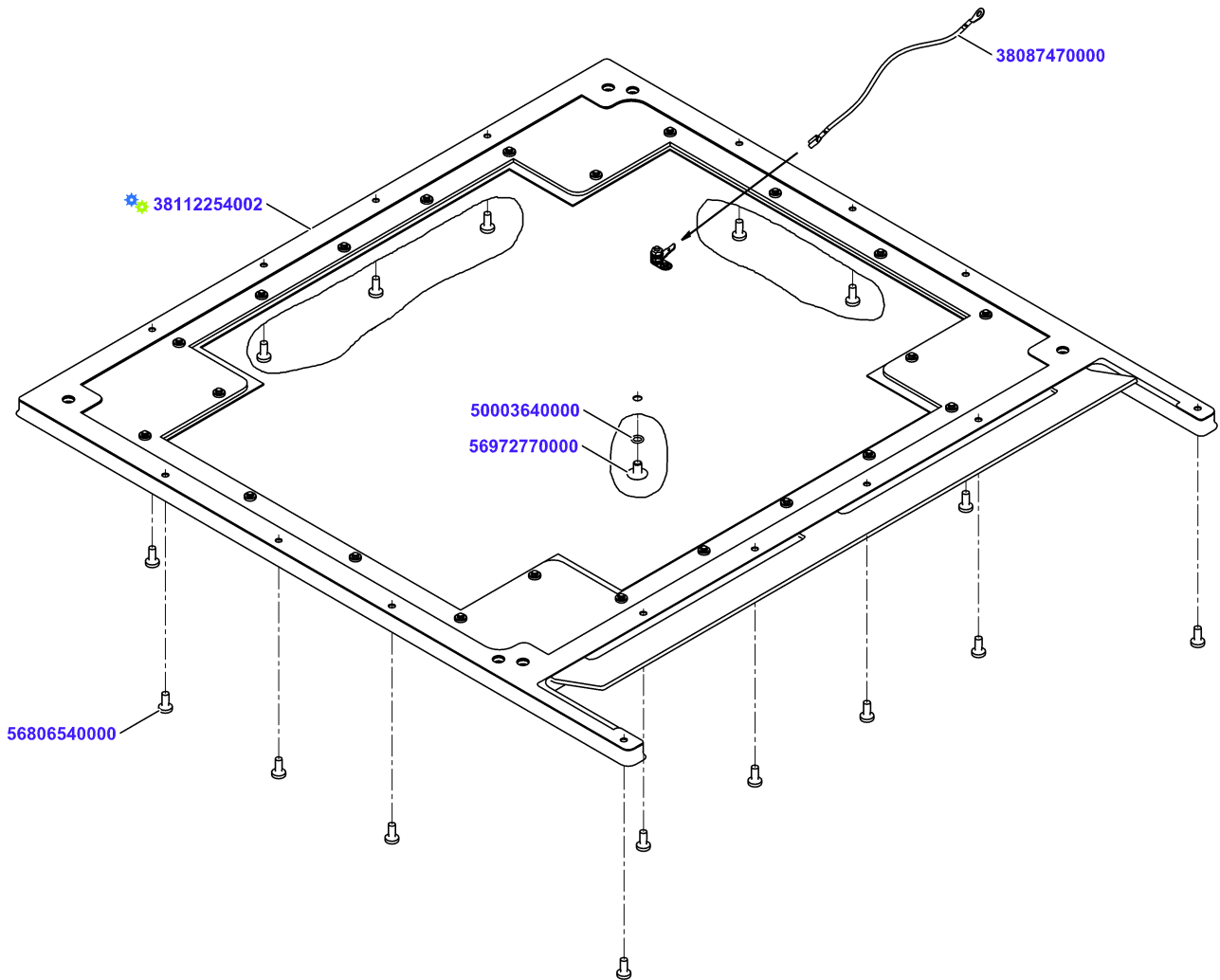
Setup preass.



Setup preass.

Material No.	Qty	Material description	available for order	Wear part	Recomm. sp. part	Metr. relevance
38071104001	1	Bottom Plate with Installation Bars	✓			
38072286002	1	Sealing	✓		✓	
56777410000	1	Screw seal M4	✓		✓	
57429160000	1	Hexagon screw DIN933 M4x16 A2-70	✓			
57758610000	1	Toothed washer DIN6797-A 4,3-Fst	✓			
50250100000	1	Grounding Plate 9x17/4.3 D	✓			
56739040000	1	Washer DIN125-A 4.3-A2-70	✓			
57767040000	1	Spring lock washer DIN128-A4-FSt	✓			
56456400000	1	Hexagon nut DIN934-M4-A2	✓			
71080560000	1	Flat Plug 6.3 DIN4634	✓			
56739040000	1	Washer DIN125-A 4.3-A2-70	✓			
57758610000	1	Toothed washer DIN6797-A 4,3-Fst	✓			
56456400000	1	Hexagon nut DIN934-M4-A2	✓			

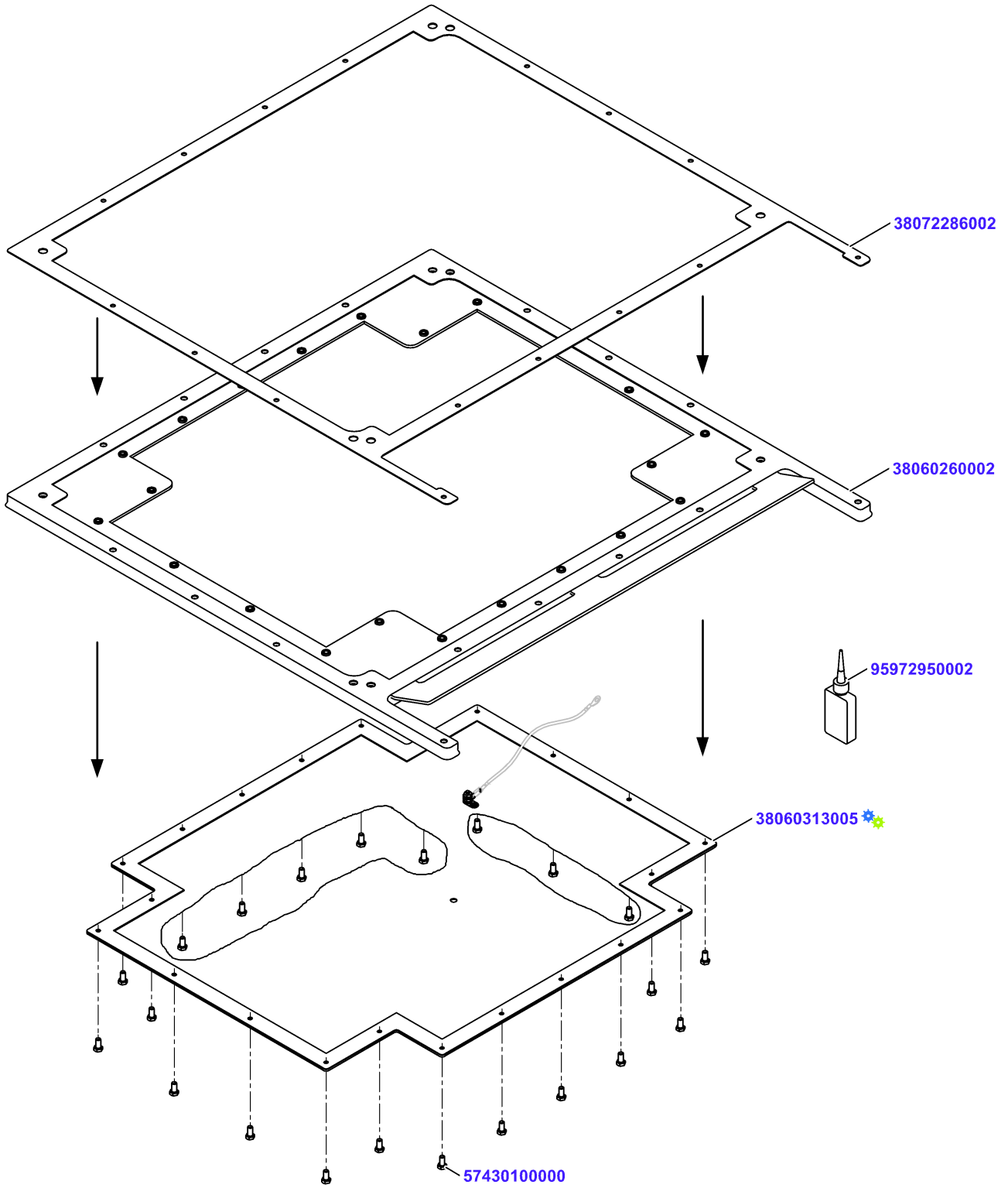
Setup VSI w. Service Cover cpl



Setup VSI w. Service Cover cpl

Material No.	Qty	Material description	available for order	Wear part	Recomm. sp. part	Metr. relevance
38112254002	1	Setup w. Service Cover preass.				
38087470000	1	Ka Li GN/YE AWG18 0,5m	✓			
56806540000	16	Oval-head screw DIN7985 M5x12-A2-70	✓			
56972770000	1	Mushroom head screw M6x10-A2-70	✓			
50003640000	1	O-ring DIN3771 6x1,5 NBR	✓			

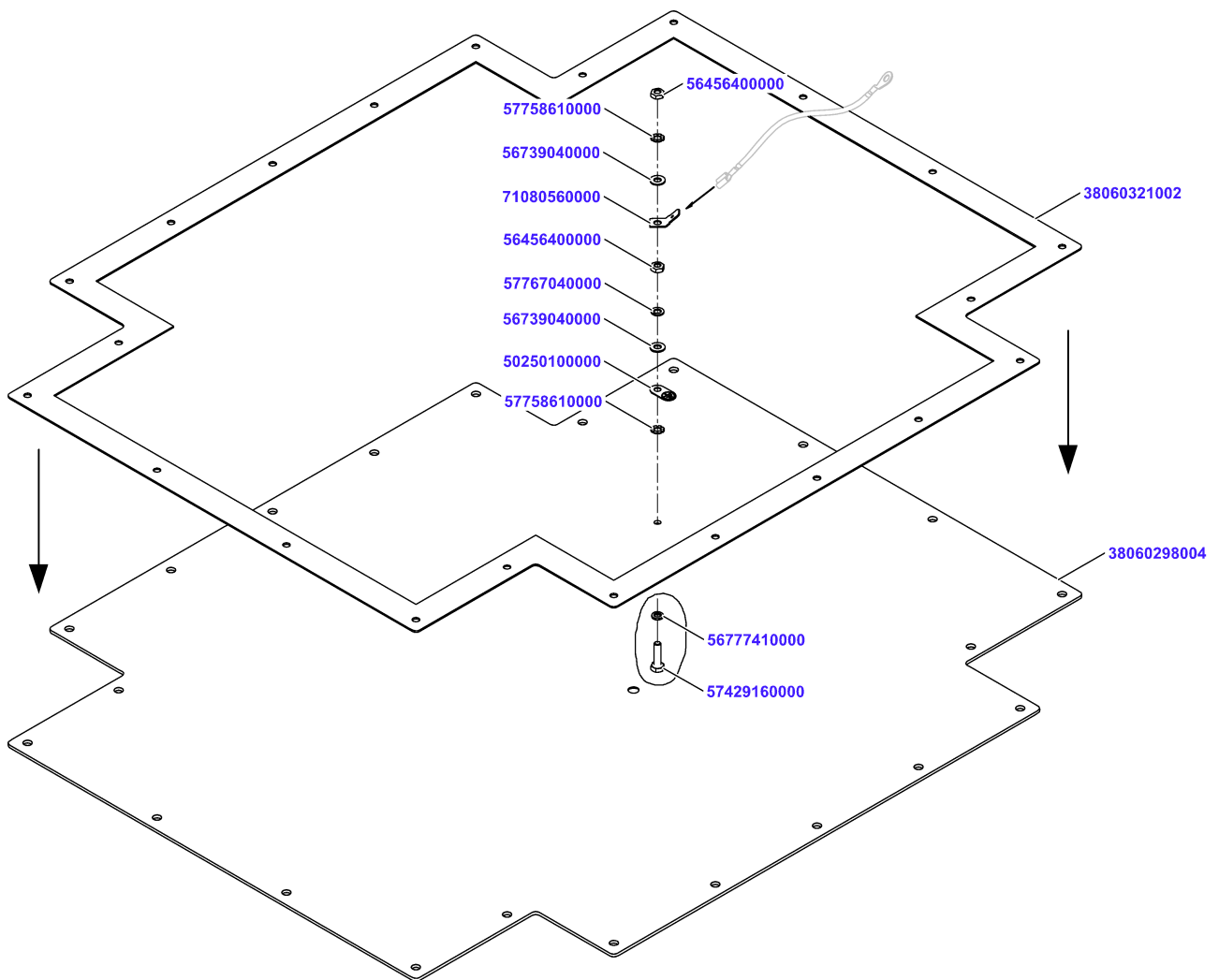
Setup w. Service Cover preass.



Setup w. Service Cover preass.

Material No.	Qty	Material description	available for order	Wear part	Recomm. sp. part	Metr. relevance
38060260002	1	Frame with Installation Bars	✓			
38072286002	1	Sealing	✓		✓	
38060313005	1	Cover prem.	✓			
57430100000	22	Hexagon screw DIN933 M5x10 A2-70	✓			
95972950002	0,001	Loctite 243 50 ml	✓			

Cover prem.



Cover prem.

Material No.	Qty	Material description	available for order	Wear part	Recomm. sp. part	Metr. relevance
38060298004	1	Cover 472x557	✓			
38060321002	1	Sealing	✓		✓	
57429160000	1	Hexagon screw DIN933 M4x16 A2-70	✓			
56777410000	1	Screw seal M4	✓		✓	
57758610000	1	Toothed washer DIN6797-A 4,3-Fst	✓			
50250100000	1	Grounding Plate 9x17/4.3 D	✓			
56739040000	1	Washer DIN125-A 4.3-A2-70	✓			
57767040000	1	Spring lock washer DIN128-A4-FSt	✓			
56456400000	1	Hexagon nut DIN934-M4-A2	✓			
71080560000	1	Flat Plug 6.3 DIN4634	✓			
56739040000	1	Washer DIN125-A 4.3-A2-70	✓			
57758610000	1	Toothed washer DIN6797-A 4,3-Fst	✓			
56456400000	1	Hexagon nut DIN934-M4-A2	✓			

Plate Kit

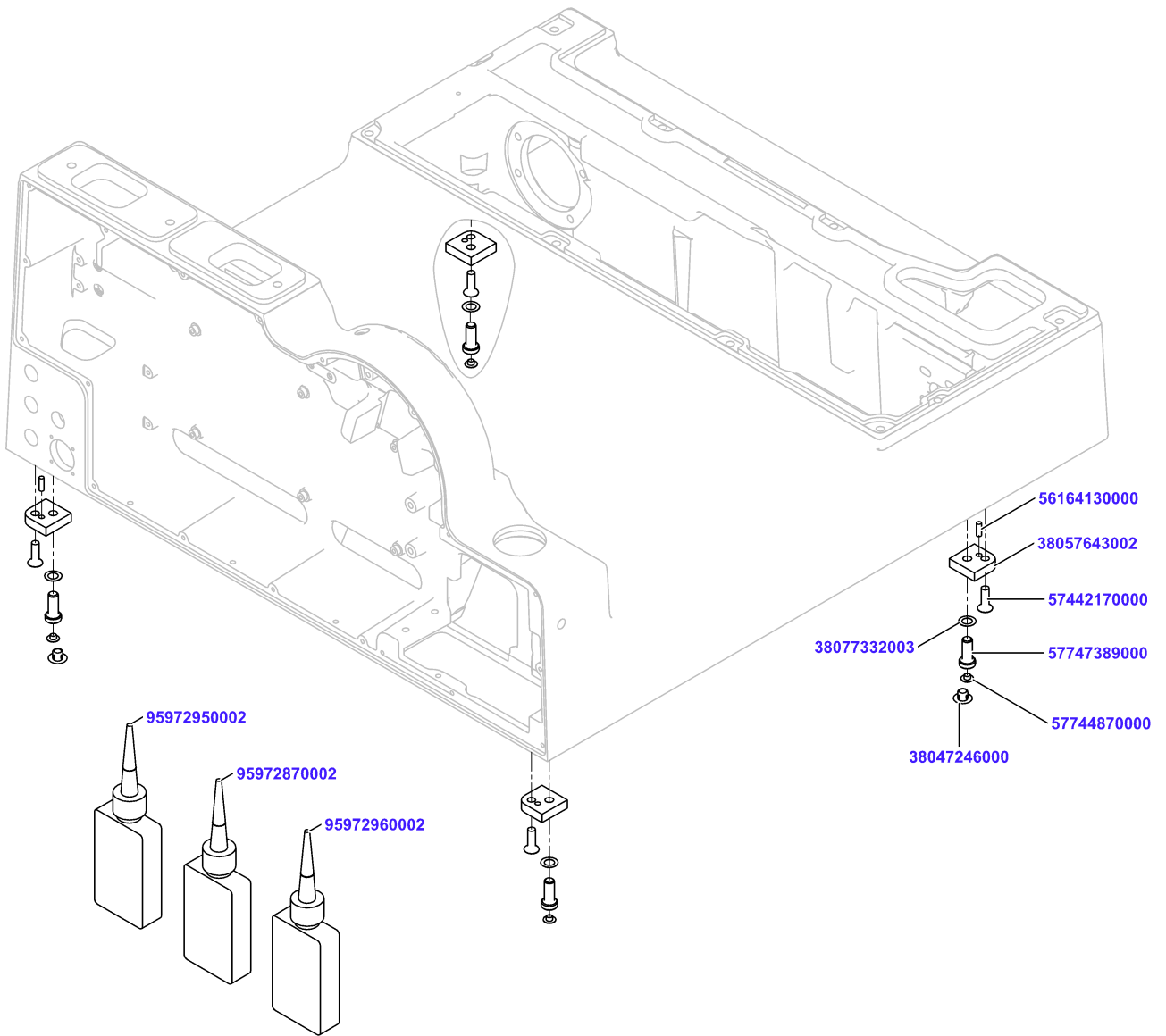


Plate Kit

Material No.	Qty	Material description	available for order	Wear part	Recomm. sp. part	Metr. relevance
38057643002	4	Plate	✓			
57442170000	4	Countersunk screw DIN7991 M6x20-A2-70	✓			
95972950002	0,004	Loctite 243 50 ml	✓			
56164130000	2	Cylindrical pin EN 22338-4m6x12-A2	✓			
95972960002	0,002	Loctite 7649 500ml	✓			
95972870002	0,002	Loctite 638	✓			
57747389000	4	Cylinder screw DIN7984 M8x20-A2-70	✓			
38077332003	4	Thrusted washer 13,8x8,2x0,18	✓			
57744870000	4	Protective plug 10x5,2x3,1-PE	✓		✓	
38047246000	2	Protective plug 15x8x6,9-PE	✓		✓	

Plate Kit light

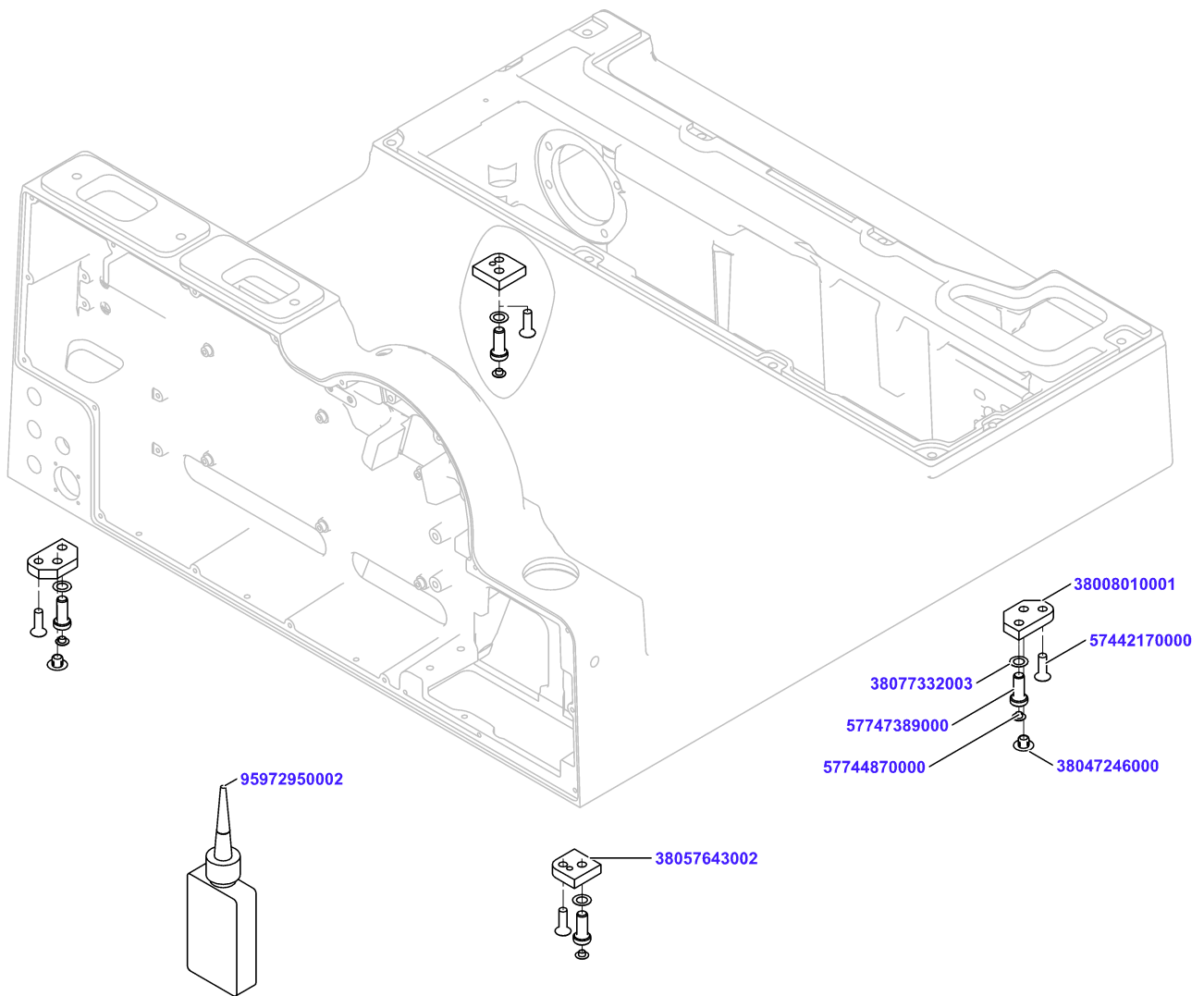
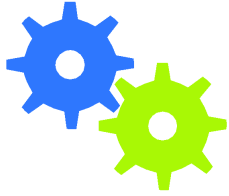


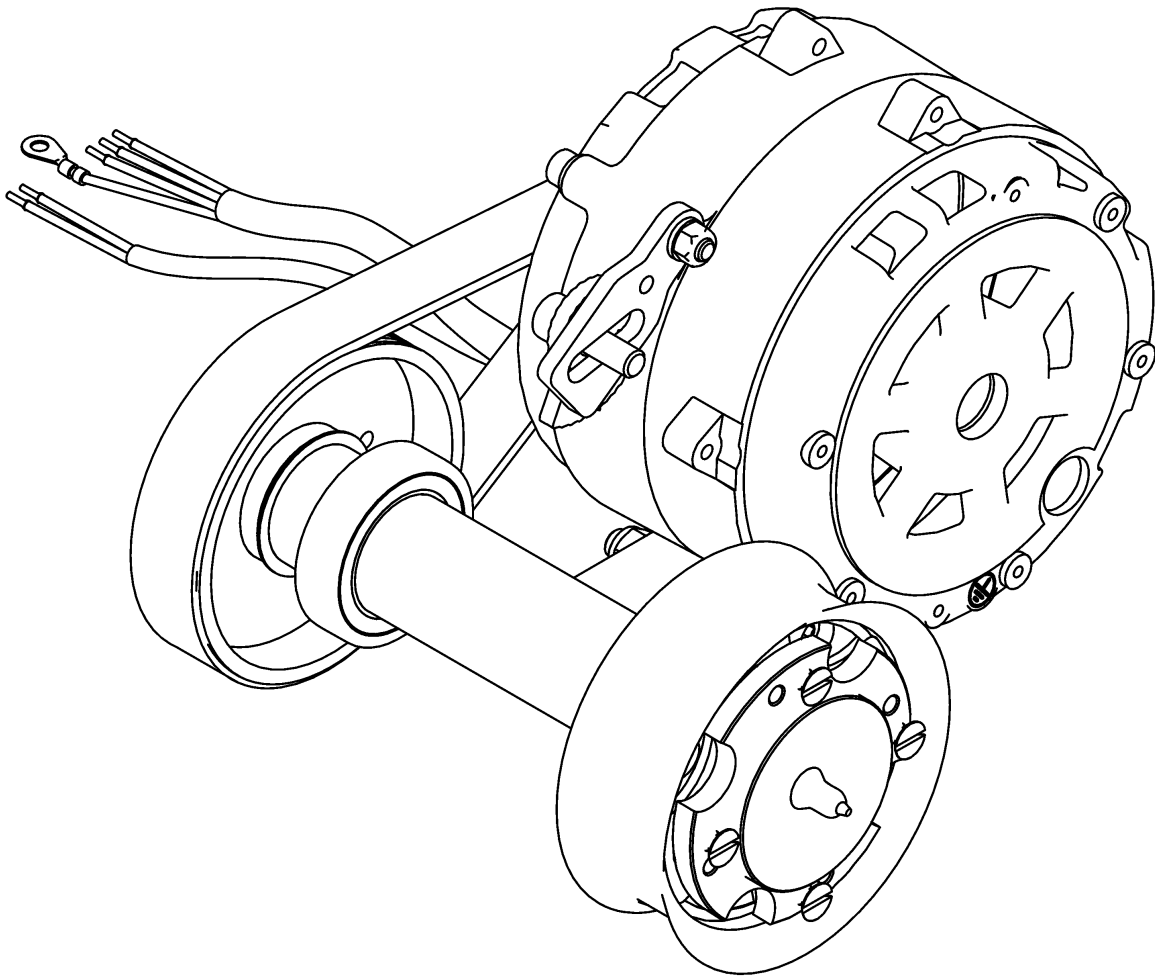
Plate Kit light

Material No.	Qty	Material description	available for order	Wear part	Recomm. sp. part	Metr. relevance
38057643002	2	Plate	✓			
38008010001	2	Plate 41x26x8	✓			
57442170000	4	Countersunk screw DIN7991 M6x20-A2-70	✓			
95972950002	0,004	Loctite 243 50 ml	✓			
57747389000	4	Cylinder screw DIN7984 M8x20-A2-70	✓			
38077332003	4	Thrusted washer 13,8x8,2x0,18	✓			
57744870000	4	Protective plug 10x5,2x3,1-PE	✓		✓	
38047246000	2	Protective plug 15x8x6,9-PE	✓		✓	

Blade drive



38111007000

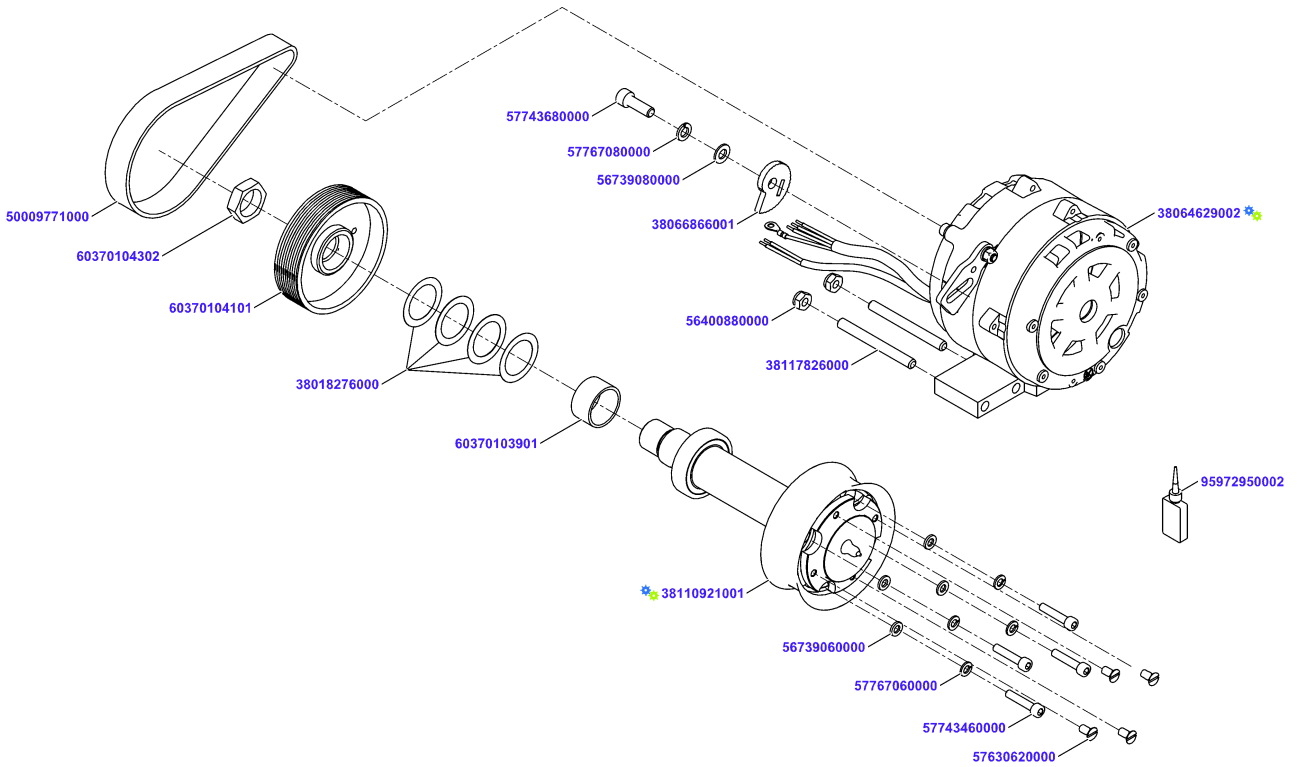


Blade drive

Material No.	Qty	Material description
38111007000	1	Blade Drive one-piece VSI cpl.
38134272001	1	Carriage drive VSI cpl.

available for order	Wear part	Recomm. sp. part	Metr. relevance

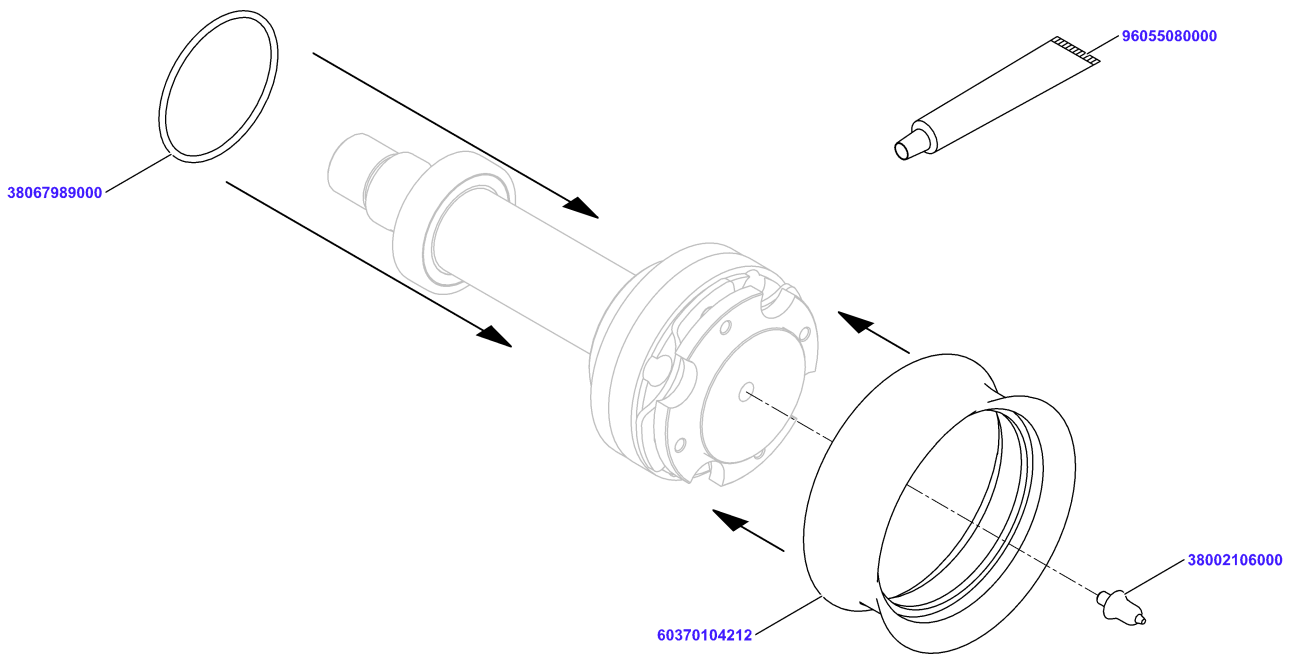
Blade Drive one-piece VSI cpl.







Blade Drive one-piece VSI cpl.

Material No.	Qty	Material description	available for order	Wear part	Recomm. sp. part	Metr. relevance
38110921001	1	Blade Bearing one-piece cpl.	✓		✓	
57743460000	4	Cylinder screw DIN912 M6x30-A2-70	✓			
57767060000	4	Spring lock washer DIN128-A6-FSt	✓			
56739060000	4	Washer DIN125-A-6-A2	✓			
38064629002	1	Motor cpl	✓			
38117826000	2	Threaded bolt DIN 913-M8x80-A2	✓			
95972950002	0,001	Loctite 243 50 ml	✓			
56400880000	2	Lock nut DIN985-M8-A2	✓			
38066866001	1	Tappet	✓			
57743680000	1	Cylinder screw DIN912 M8x25-A2-70	✓			
57767080000	1	Spring lock washer DIN128-A8-A2	✓			
56739080000	1	Washer DIN125-A-8-A2	✓			
60370103901	1	spacer ring	✓			
38018276000	4	Shim ring DIN988-30x42x0,2	✓			
60370104101	1	Belt pulley PolyV 98,4	✓			
60370104302	1	Hexagon nut M25x1,5 SW30	✓			
50009771000	1	V-ribbed belt 10 PJ 457	✓	✓	✓	
57630620000	4	Countersunk screw DIN963 M6x12-A2-70	✓			

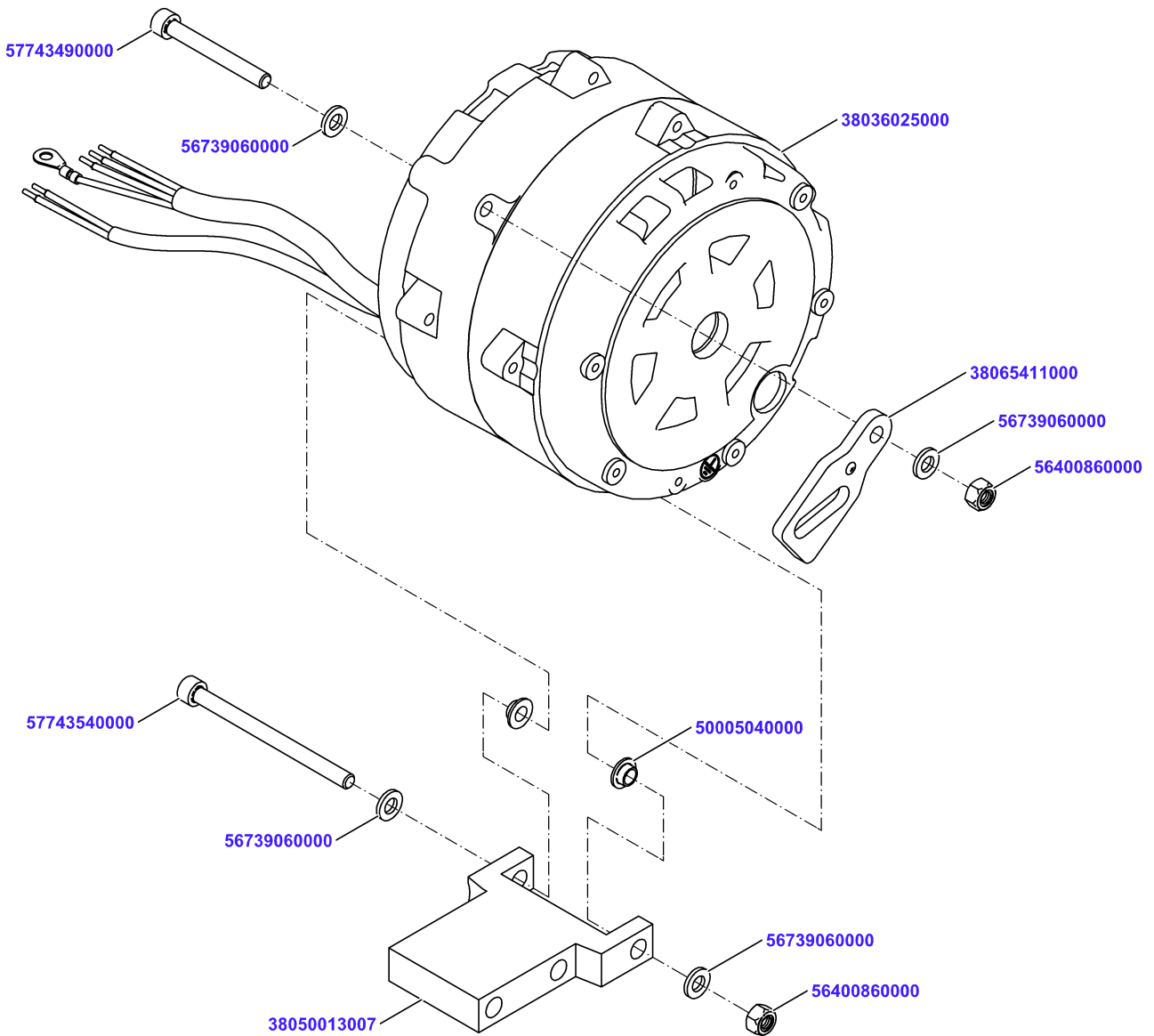
Blade Bearing one-piece cpl.



Blade Bearing one-piece cpl.

Material No.	Qty	Material description	available for order	Wear part	Recomm. sp. part	Metr. relevance
60370104212	1	Sealing ring blade 108x84x40				
96055080000	0,001	Kluebersynth UH1 64-62/25kg				
38067989000	1	O-ring 58,42x2,62 NBR				
38002106000	1	Shoring bolt				

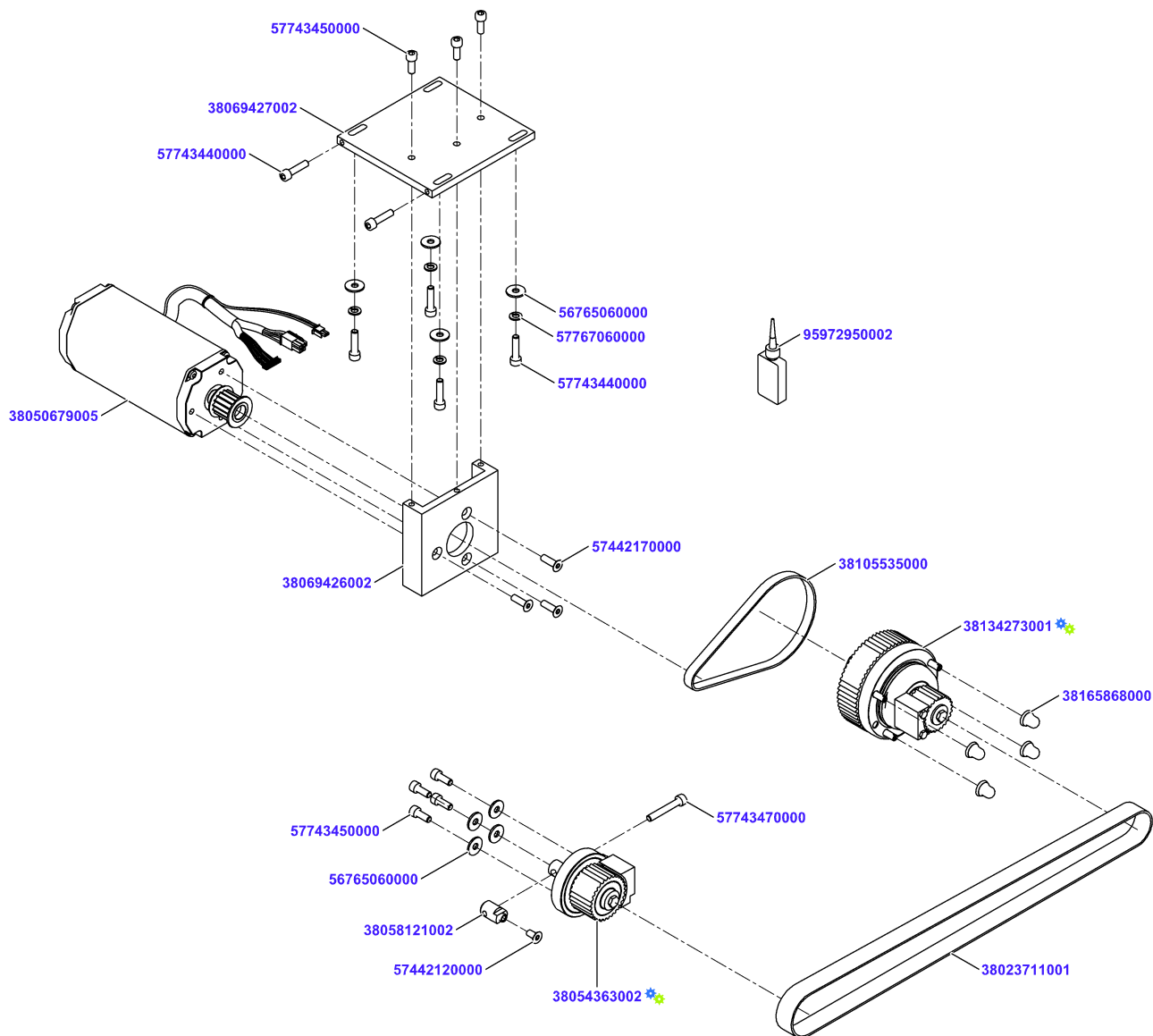
Motor cpl



Motor cpl

Material No.	Qty	Material description	available for order	Wear part	Recomm. sp. part	Metr. relevance
38036025000	1	Motor VS 12 DRS 100V/50HZ thermal prot.				
57743490000	1	Cylinder screw DIN912 M6x50-A2-70				
38065411000	1	Clamp cpl				
56400860000	1	Lock nut DIN985-M6-A2				
56739060000	2	Washer DIN125-A-6-A2				
38050013007	1	Bearing Pedestal				
50005040000	2	Plain bearing w. flange 6x12x8x4				
57743540000	1	Cylinder screw DIN912 M6x80-A2-70				
56739060000	2	Washer DIN125-A-6-A2				
56400860000	1	Lock nut DIN985-M6-A2				

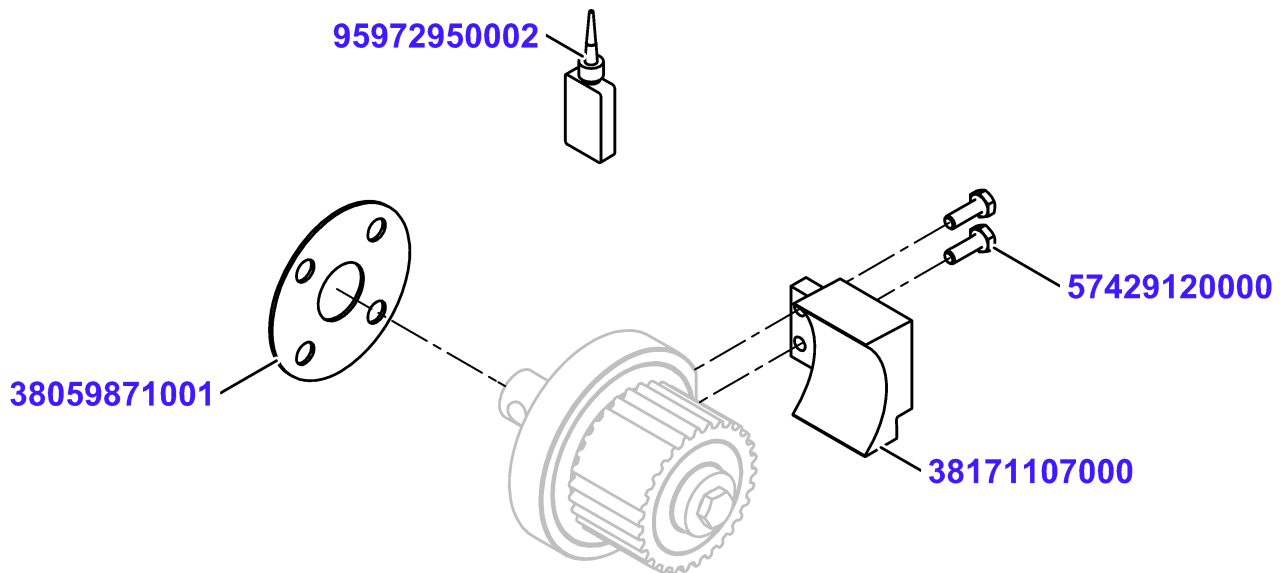
Carriage drive VSI cpl.







Carriage drive VSI cpl.

Material No.	Qty	Material description	available for order	Wear part	Recomm. sp. part	Metr. relevance
38050679005	1	Motor Long Carriage BG75x75	✓			
57743450000	3	Cylinder screw DIN912 M6x16-A2-70	✓			
95972950002	0,001	Loctite 243 50 ml	✓			
57442170000	3	Countersunk screw DIN7991 M6x20-A2-70	✓			
38165868000	4	Hygienic Cap Nut M6 with Precote 30-8	✓			
38054363002	1	Guide roller cpl	✓		✓	
38134273001	1	Bearing housing cpl	✓		✓	
57743440000	4	Cylinder screw DIN912 M6x25-A2-70	✓			
57767060000	4	Spring lock washer DIN128-A6-FSt	✓			
56765060000	4	Washer DIN9021-6-A2	✓			
38105535000	1	Toothed belt 10 5x410	✓	✓	✓	
38058121002	1	Bolt 15 x 25	✓			
57442120000	1	Countersunk screw DIN7991 M6x12-A2-70	✓			
57743470000	1	Cylinder screw DIN912 M6x40-A2-70	✓			
95972950002	0,001	Loctite 243 50 ml	✓			
38069426002	1	flange	✓			
38023711001	1	Toothed Belt STS 200 HP S5M 1000 NG	✓	✓	✓	
57743440000	2	Cylinder screw DIN912 M6x25-A2-70	✓			
57743450000	4	Cylinder screw DIN912 M6x16-A2-70	✓			
56765060000	4	Washer DIN9021-6-A2	✓			
38069427002	1	Traverse	✓			

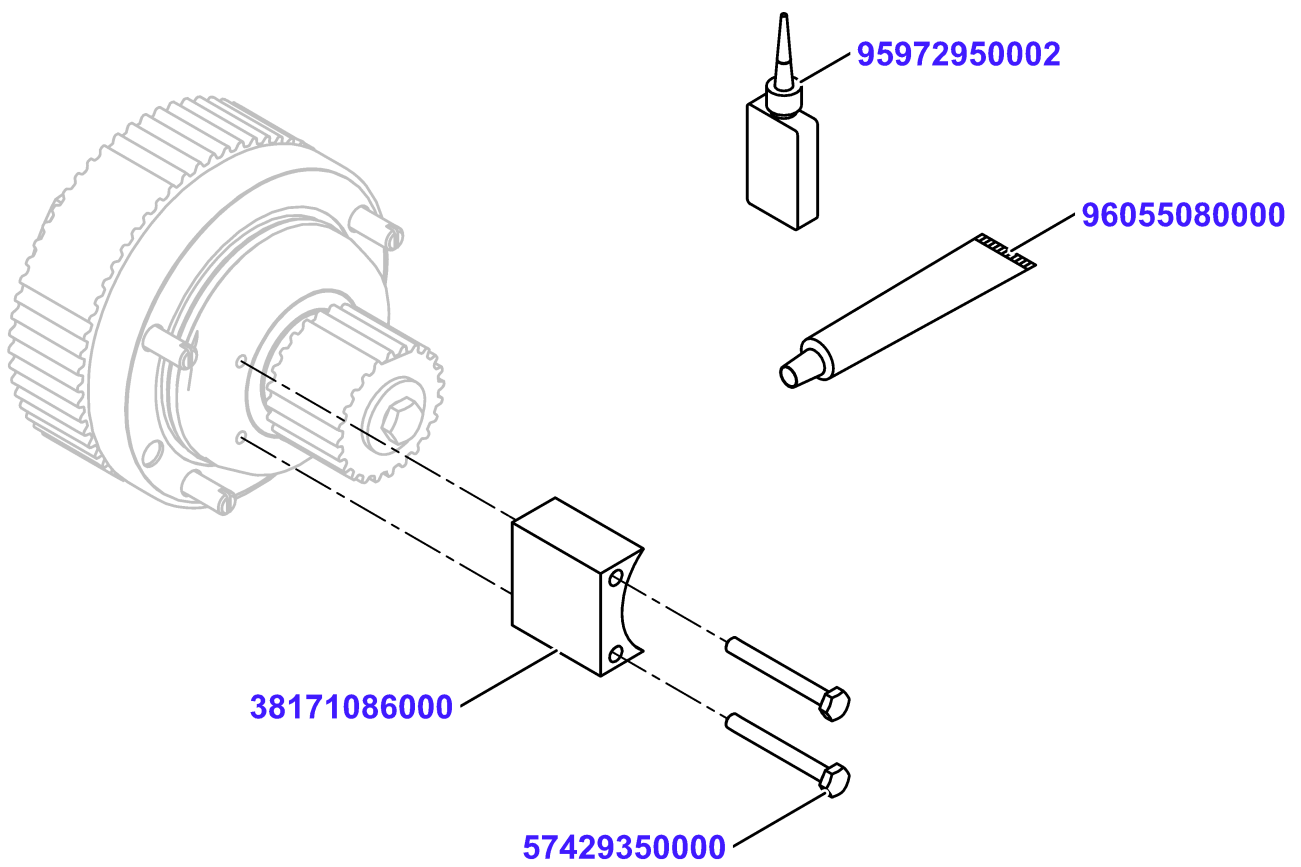
Guide roller cpl







Guide roller cpl

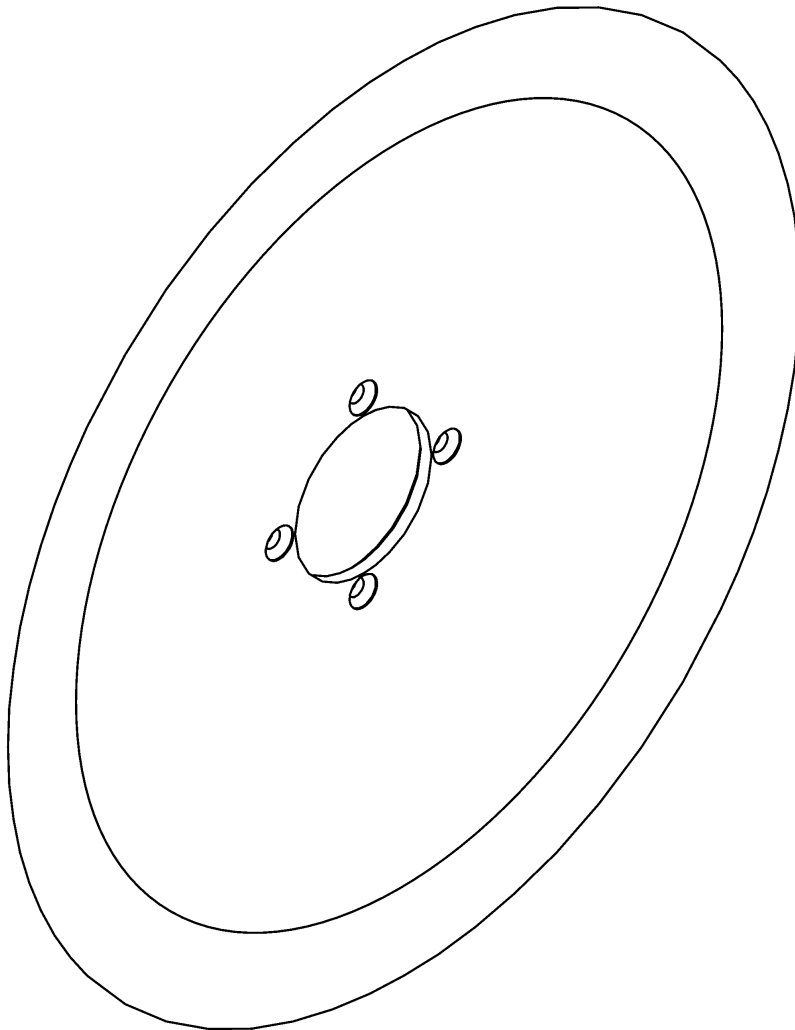
Material No.	Qty	Material description	available for order	Wear part	Recomm. sp. part	Metr. relevance
38059871001	1	Gasket				
57429120000	2	Hexagon screw DIN933 M4x12 A-70				
95972950002	1	Loctite 243 50 ml				
38171107000	1	Security block - Guide roller				

Bearing housing cpl



Bearing housing cpl

Material No.	Qty	Material description	available for order	Wear part	Recomm. sp. part	Metr. relevance
96055080000	0,001	Kluebersynth UH1 64-62/25kg				
57429350000	2	Hexagon screw DIN933 M4x35 A2-70				
95972950002	1	Loctite 243 50 ml				
38171086000	1	Security block - Drive roller				

blade**38067775000**

blade

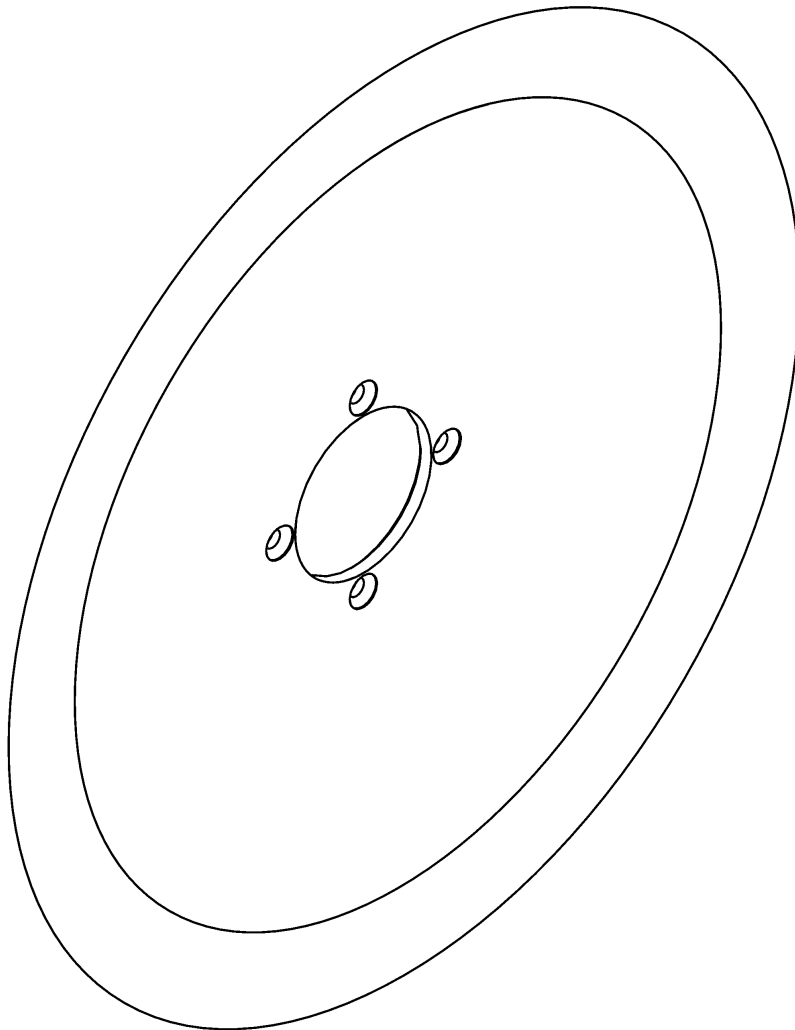
Material No.	Qty	Material description
38067775000	1	Blade 330 C Slayer

available for order
Wear part
Recomm. sp. part
Metr. relevance



blade

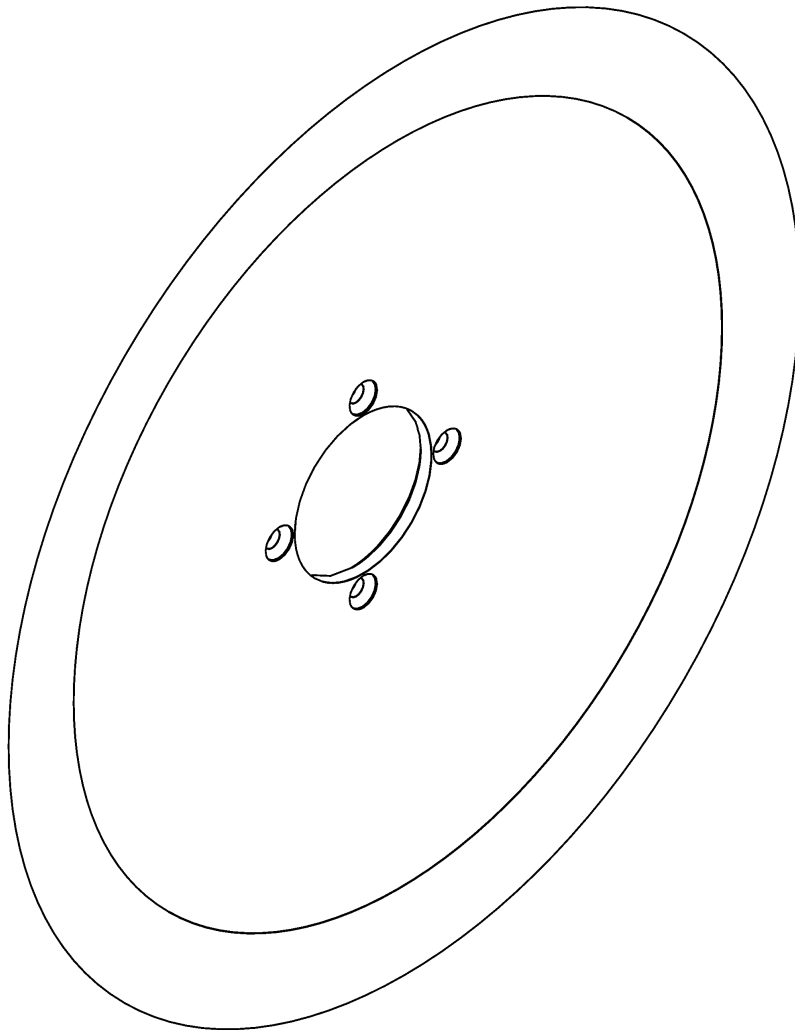
38067777001



blade

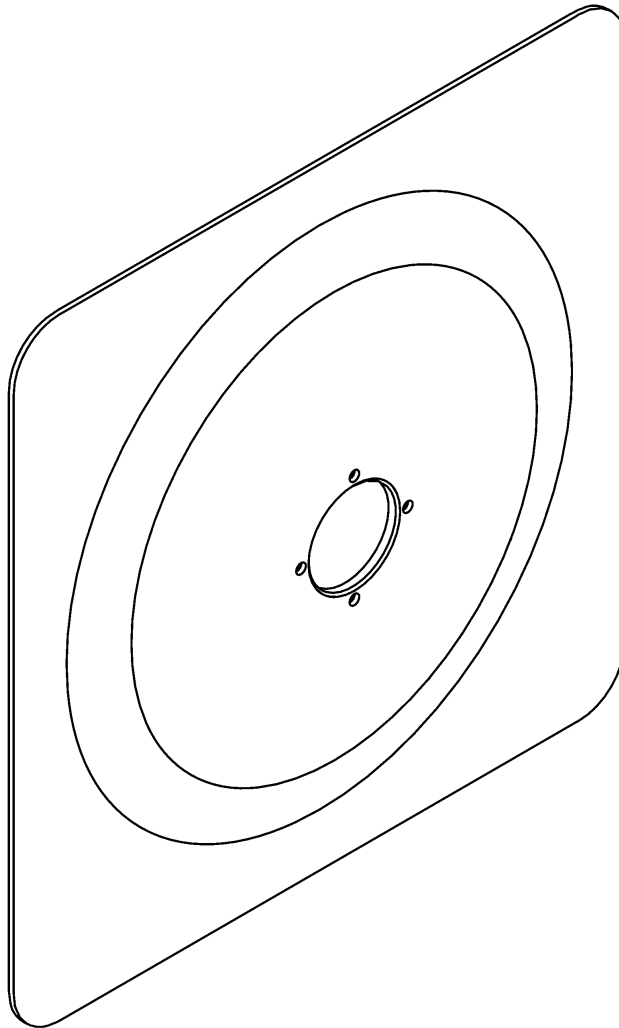
Material No.	Qty	Material description
38067777001	1	Blade 330 C Slayer Service

available for order
Wear part
Recomm. sp. part
Metr. relevance

blade**38080336000**

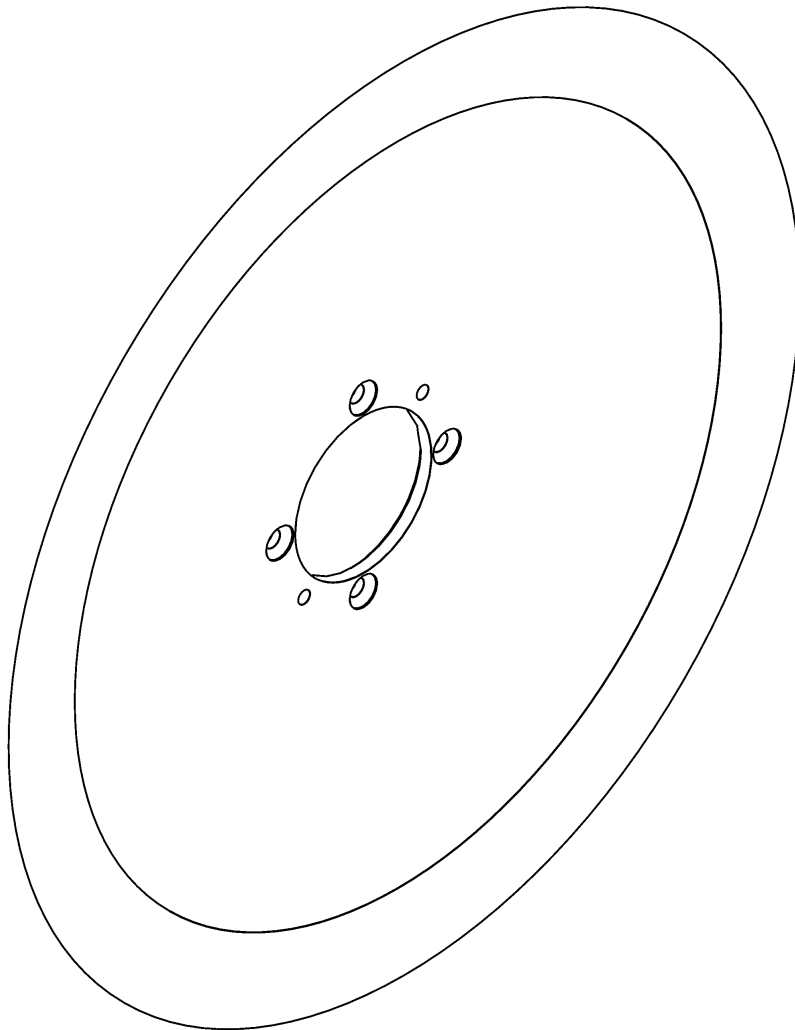
blade

Material No.	Qty	Material description	available for order	Wear part	Recomm. sp. part	Metr. relevance
38080336000	1	Blade 330 Cr Chiaravalli Service	✓	✓	✓	



blade**38092188000**

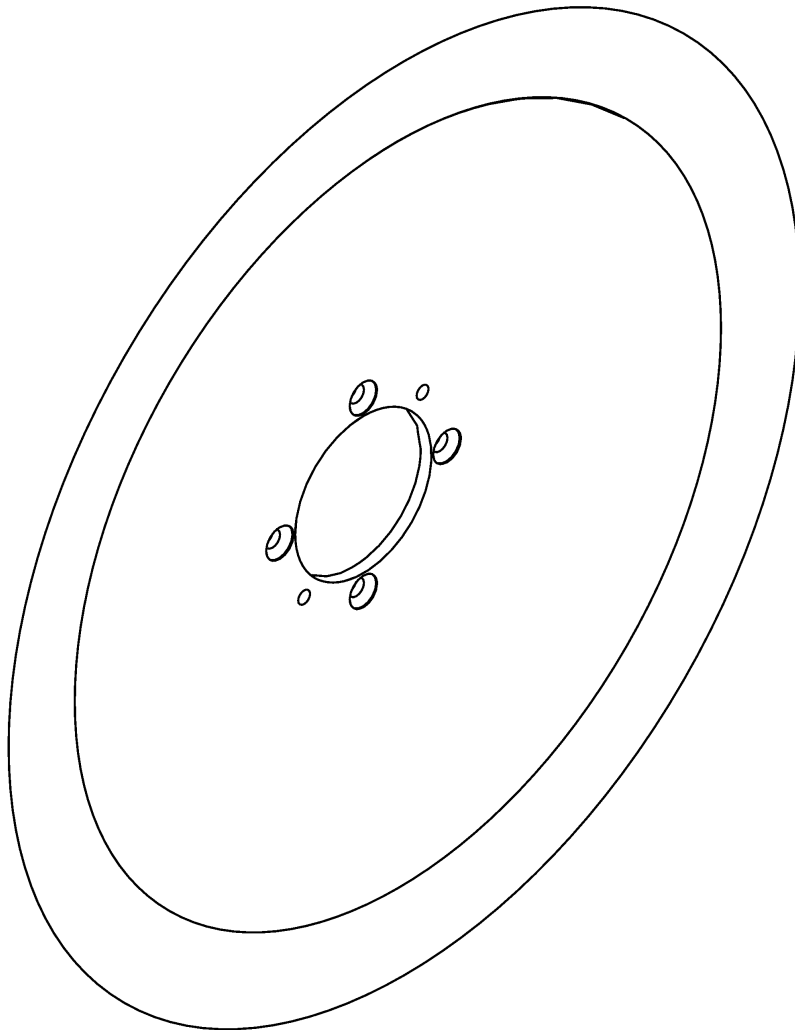
blade

Material No.	Qty	Material description	available for order	Wear part	Recomm. sp. part	Metr. relevance
38092188000	1	Blade 330 Groove Cr G&B - Service				

blade**38105667001****No use in Italy !!**

blade

Material No.	Qty	Material description	available for order	Wear part	Recomm. sp. part	Metr. relevance
38105667001	1	Blade 330 1.4034 HCov 2M6 Slayer				

blade**38107971000**

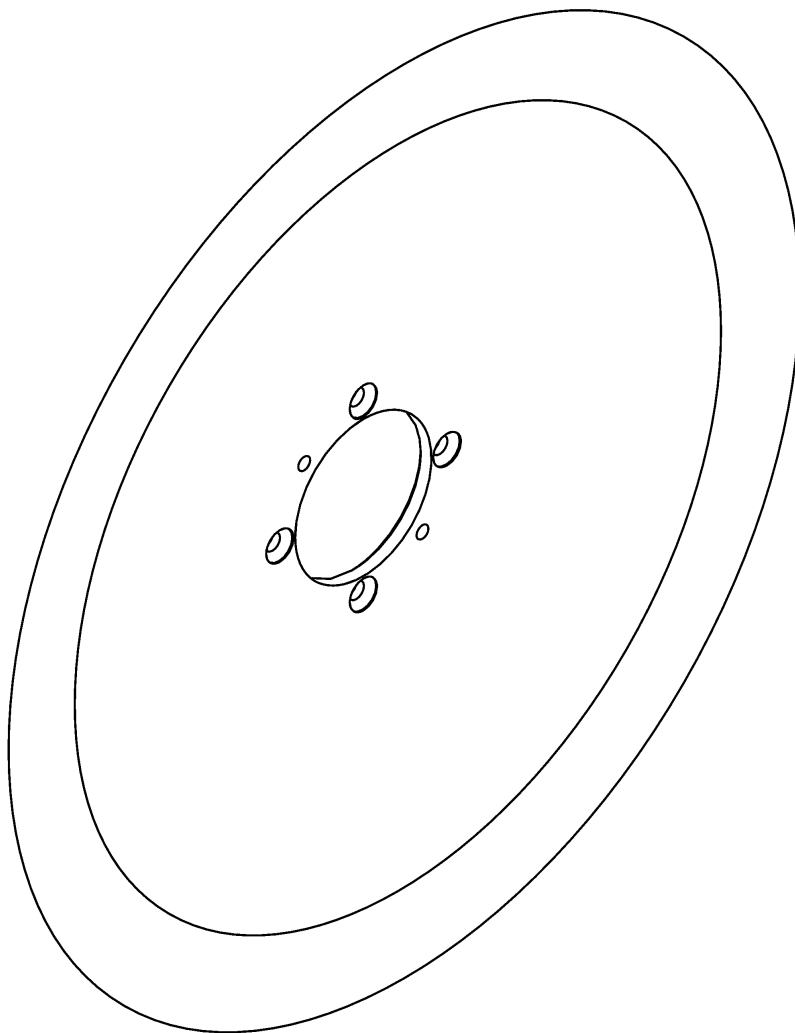
blade

available for order
Wear part
Recomm. sp. part
Metr. relevance

Material No.	Qty	Material description
38107971000	1	Blade 330 Cr HCov 2M6 Chiaravalli

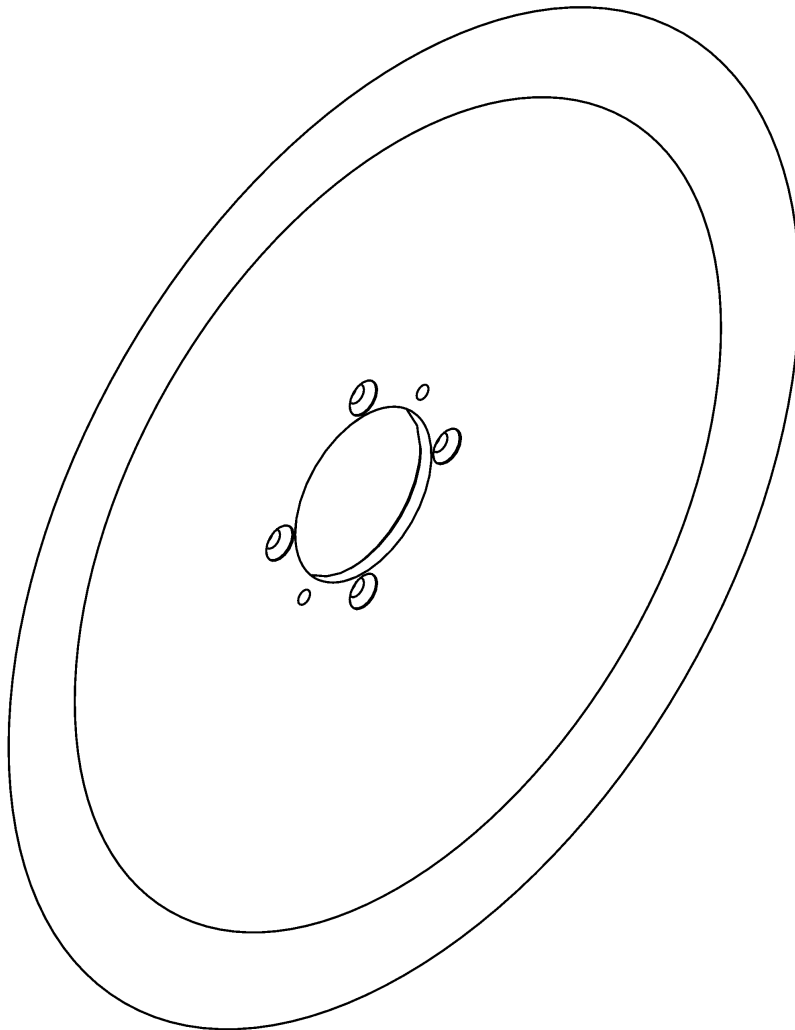
blade

38107980000



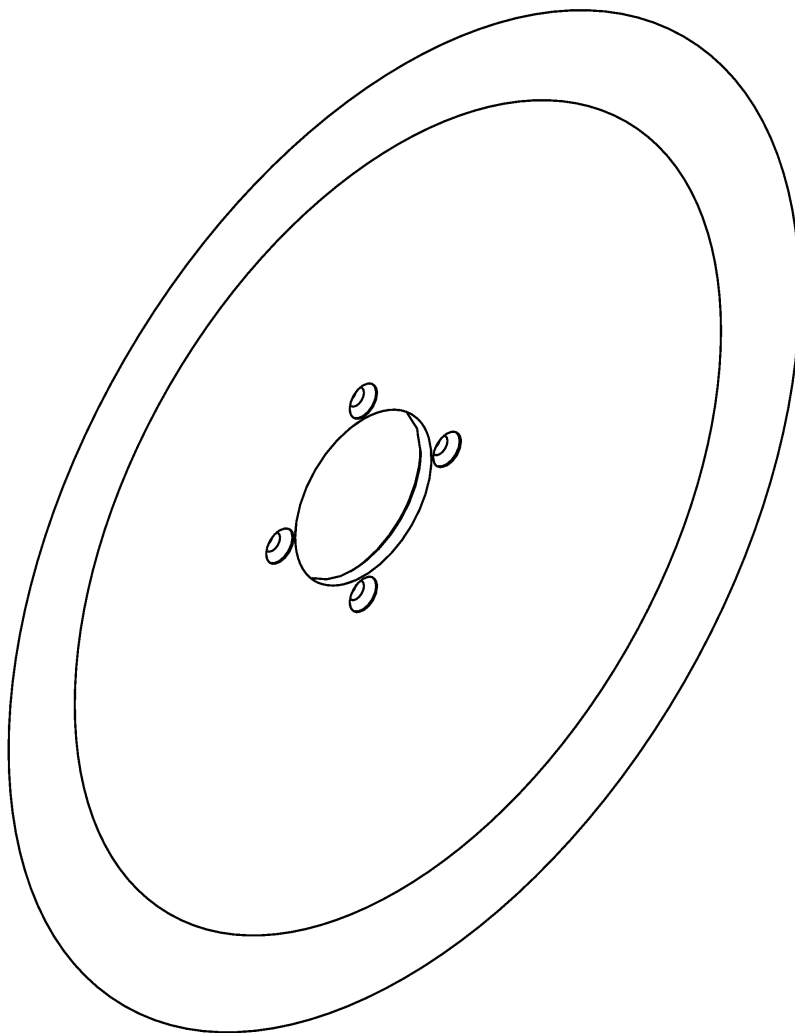
blade

Material No.	Qty	Material description	available for order	Wear part	Recomm. sp. part	Metr. relevance
38107980000	1	Messer 330 HCov 2M6 Slayer Service	✓	✓	✓	

blade**38111119000****No use in Italy !!**



blade

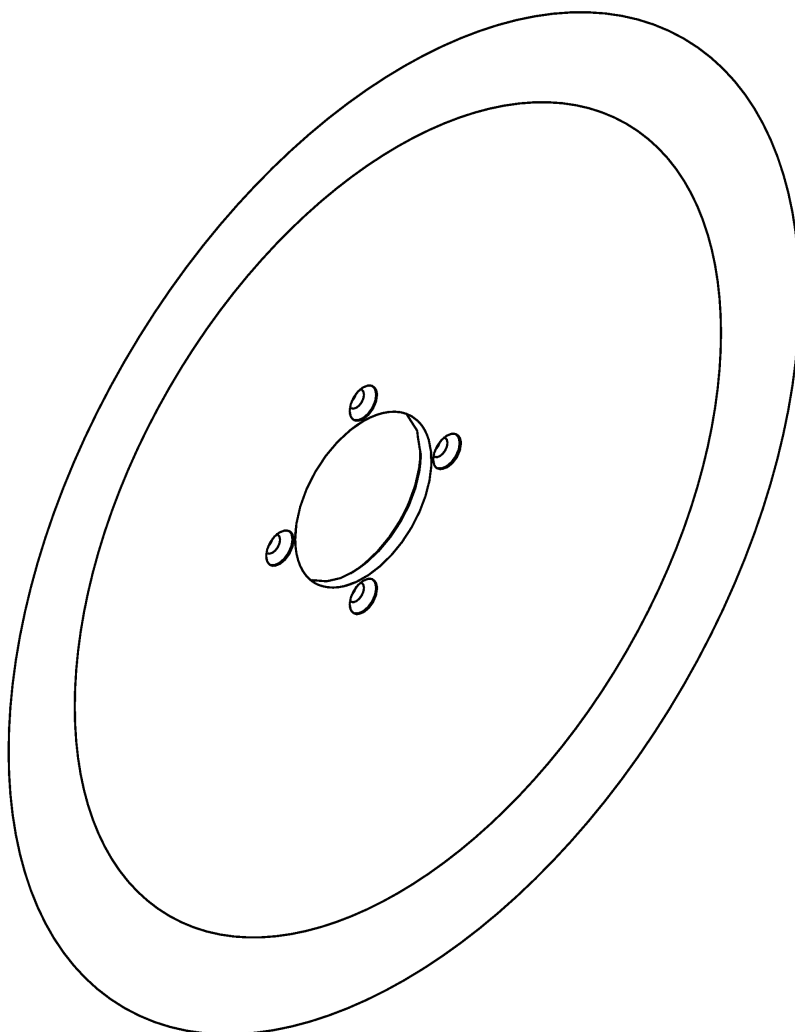
Material No.	Qty	Material description	available for order	Wear part	Recomm. sp. part	Metr. relevance
38111119000	1	Blade 330 1.4034 HCov 2M6 Slayer Service	✓	✓	✓	

blade**38111166000****No use in Italy !!**

blade

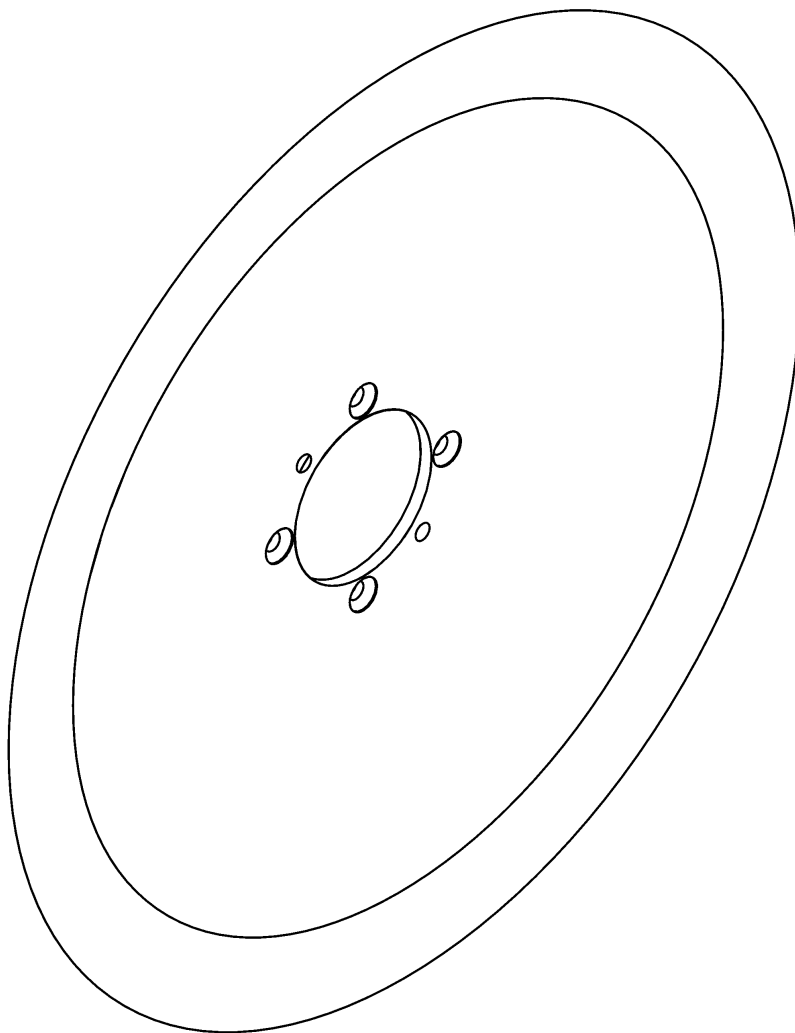
Material No.	Qty	Material description
38111166000	1	Blade 330 1.4034 HCov Slayer

available for order	Wear part	Recomm. sp. part	Metr. relevance
			

blade**38111167000****No use in Italy !!**

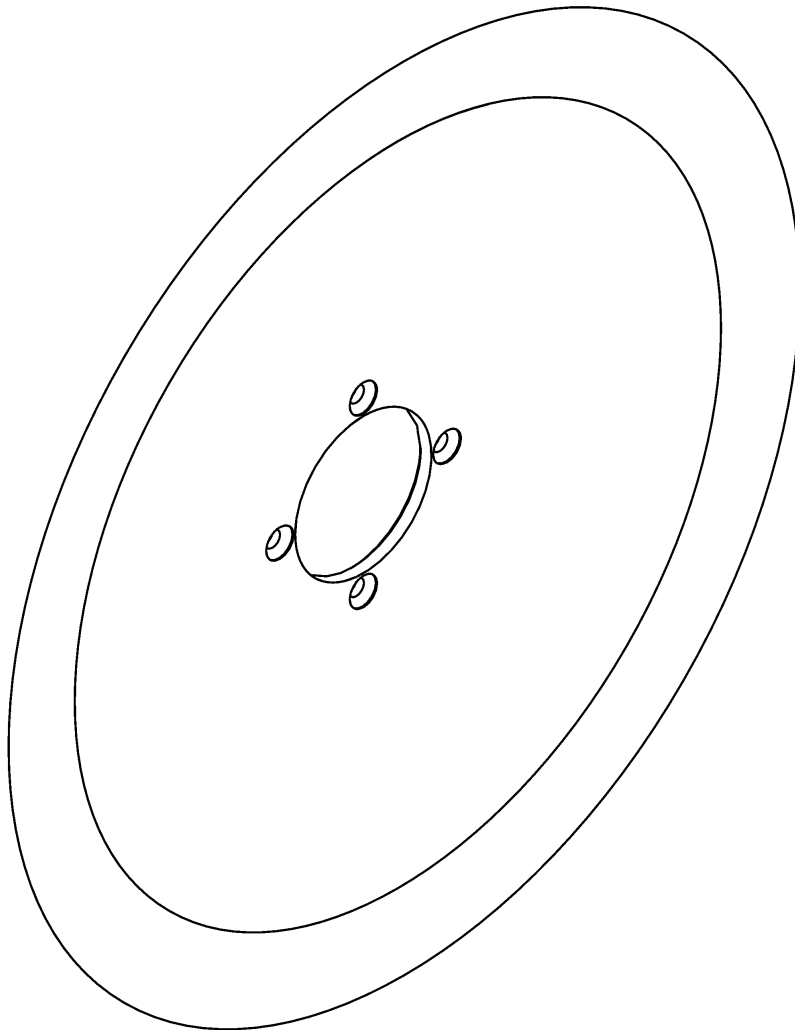
blade

Material No.	Qty	Material description	available for order	Wear part	Recomm. sp. part	Metr. relevance
38111167000	1	Blade 330 1.4034 HCov Slayer Service	✓	✓	✓	



blade**38140148000**

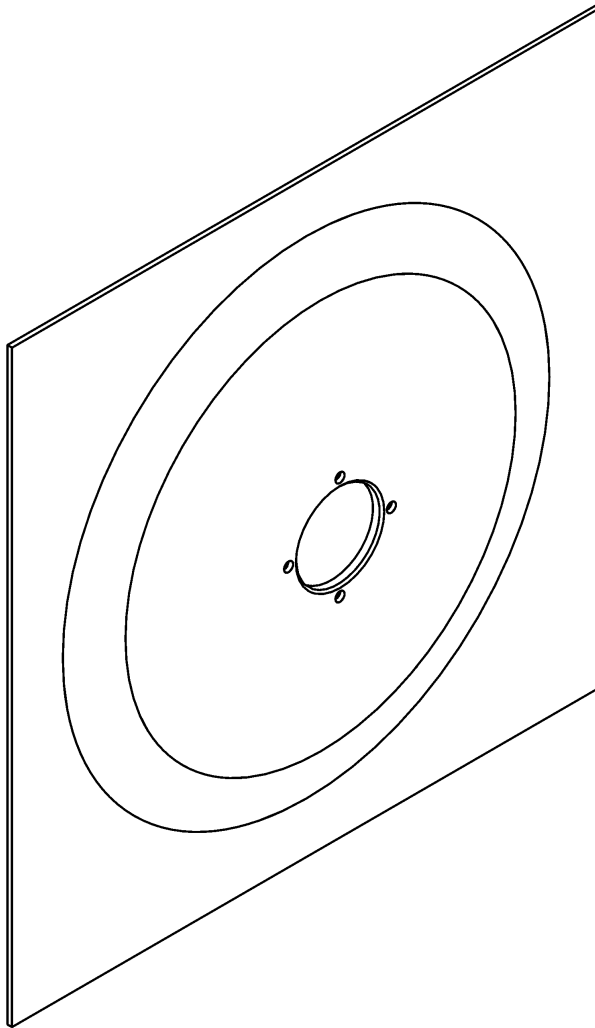
blade

Material No.	Qty	Material description	available for order	Wear part	Recomm. sp. part	Metr. relevance
38140148000	1	Blade 330 Cr 2M6 Slayer Service				

blade**38170551000**

blade

Material No.	Qty	Material description	available for order	Wear part	Recomm. sp. part	Metr. relevance
38170551000	1	Blade 330 Cr HCov Slayer				

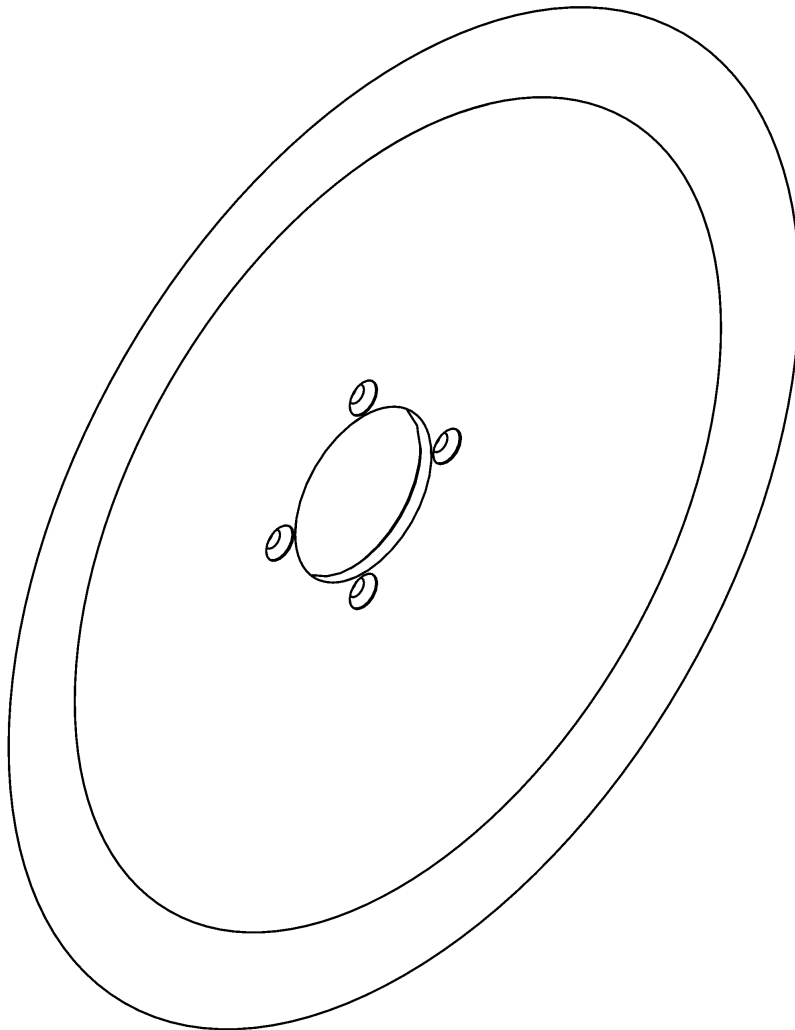
blade**38170552000**

blade

Material No.	Qty	Material description	available for order	Wear part	Recomm. sp. part	Metr. relevance
38170552000	1	Blade 330 Cr HCov Slayer Service	✓	✓	✓	



blade

40223507600



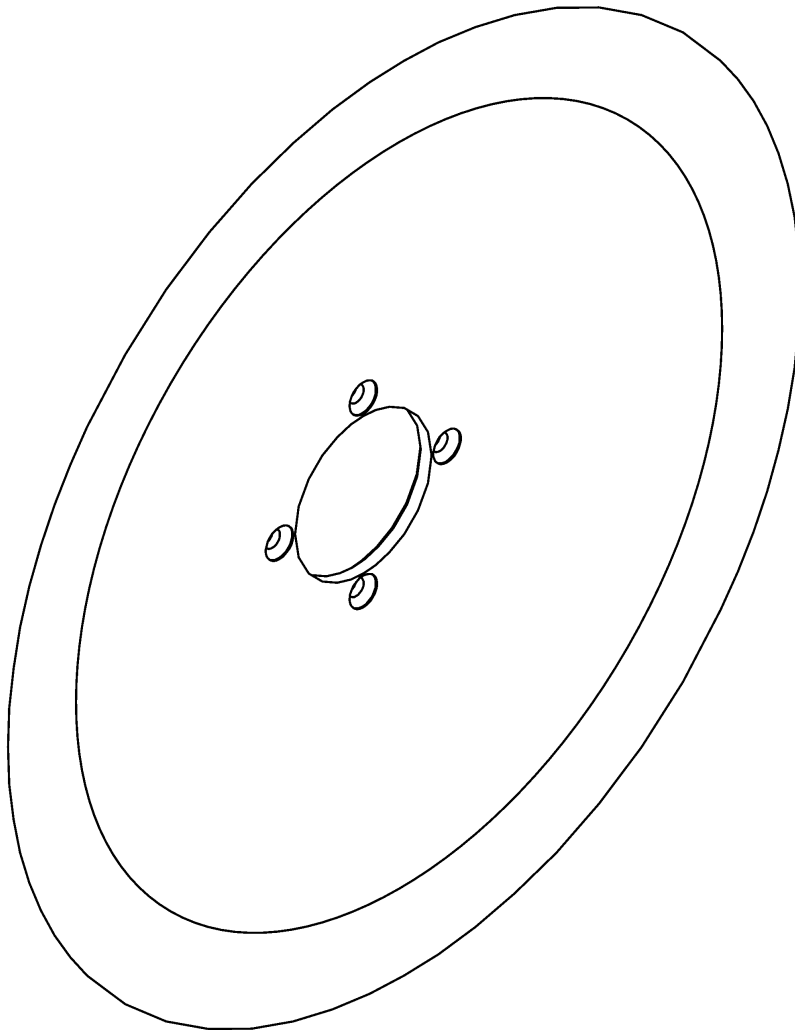
Cheese

blade



Material No.	Qty	Material description	available for order	Wear part	Recomm. sp. part	Metr. relevance
40223507600	1	Blade 330 Cr HCov G&B				

blade

60530101500

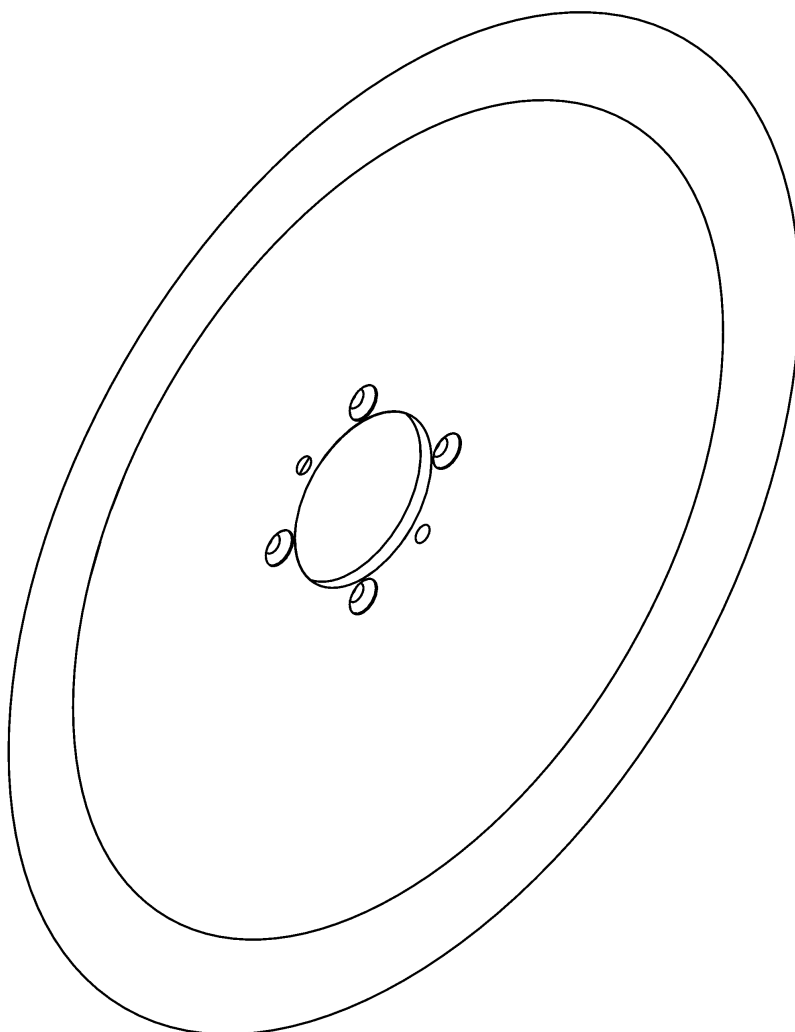


blade

Material No.	Qty	Material description	available for order	Wear part	Recomm. sp. part	Metr. relevance
60530101500	1	Blade 330 Cr Slayer				

blade

60530106000

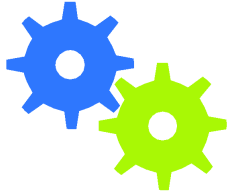


blade

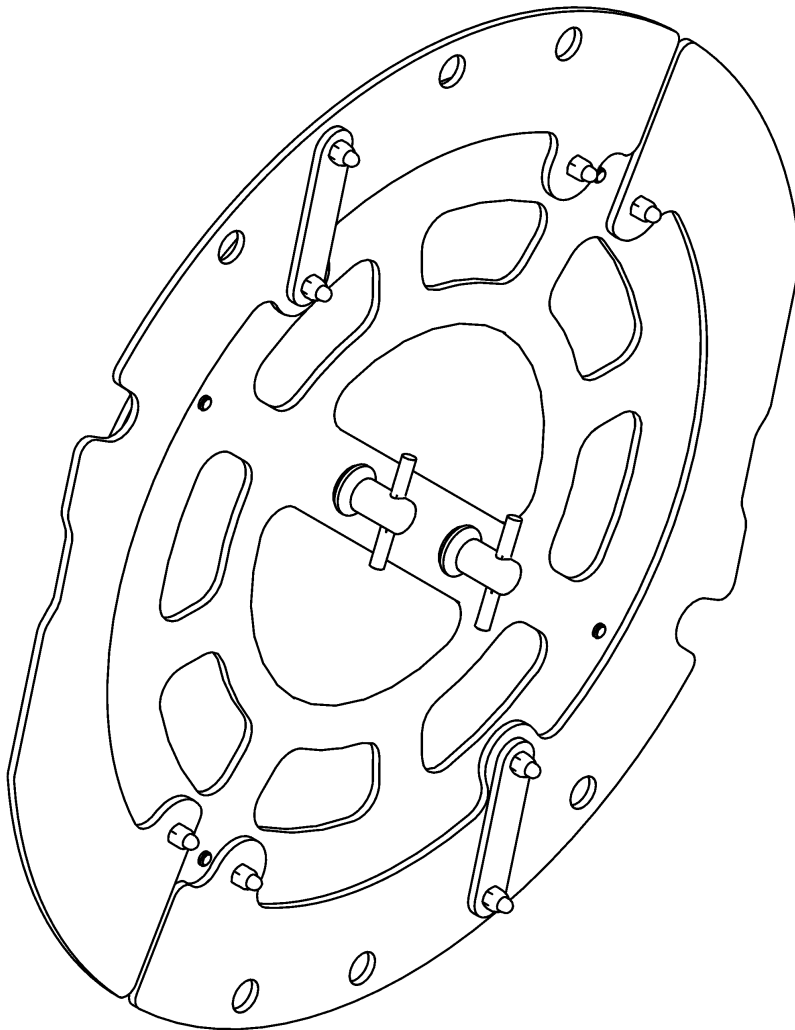
available for order
Wear part
Recomm. sp. part
Metr. relevance

Material No.	Qty	Material description
60530106000	1	Blade 330 Cr 2xM6 G&B

Blade removal device



38103321003

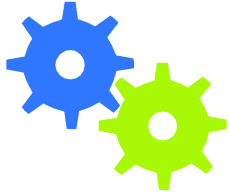


Blade removal device

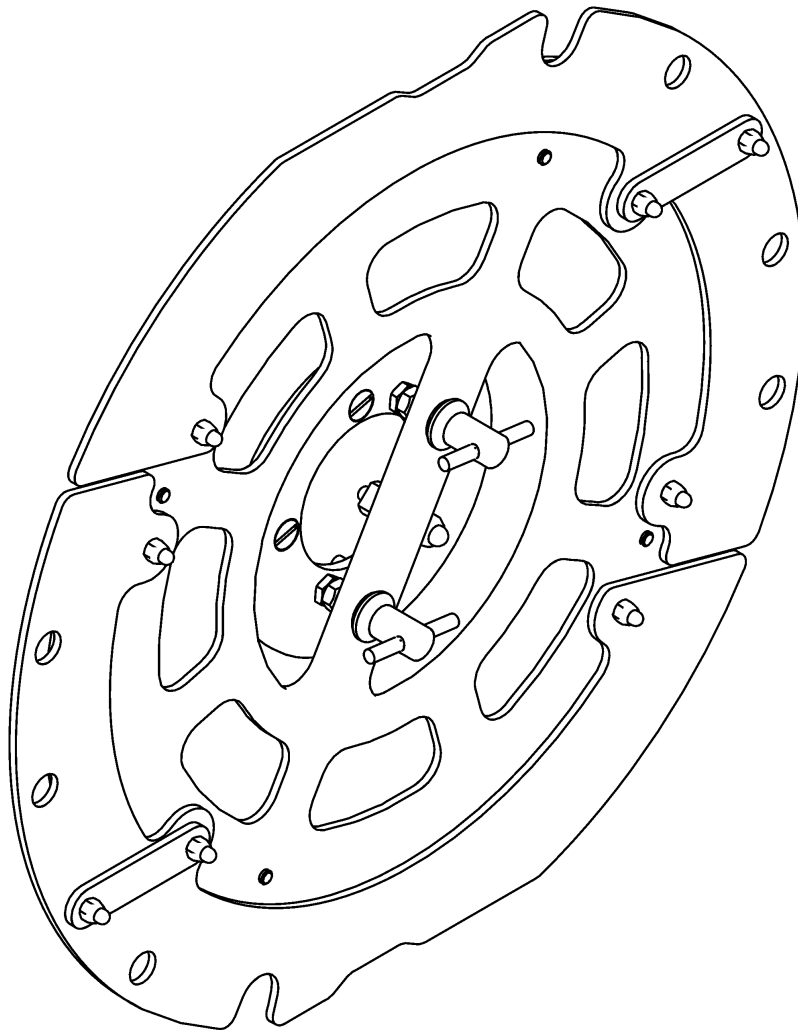
available for order
Wear part
Recomm. sp. part
Metr. relevance

Material No.	Qty	Material description
38103321003	1	Blade Removal Device preassembled

Blade removal device



38103348003

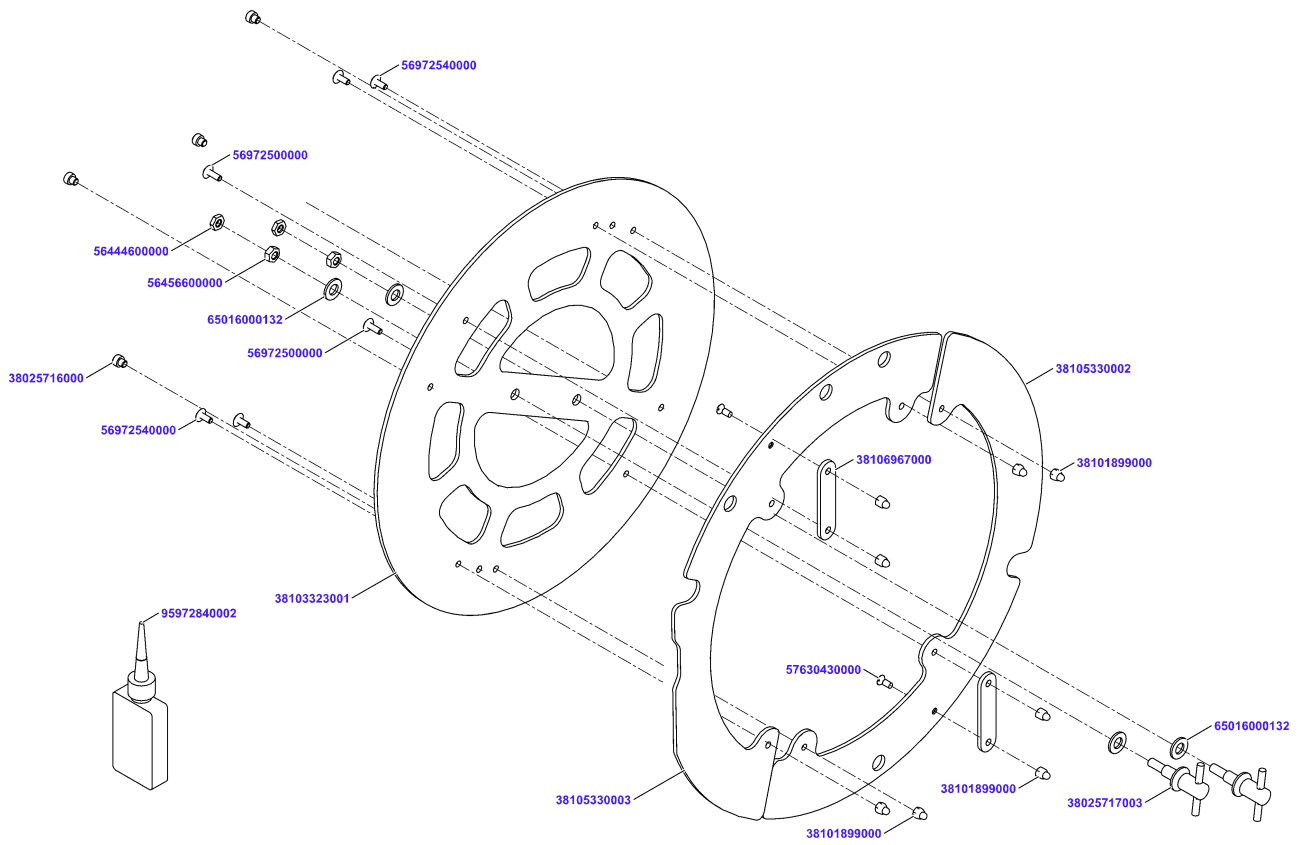


Blade removal device















available for order
Wear part
Recomm. sp. part
Metr. relevance

Material No.	Qty	Material description
38103348003	1	Blade removal device 330 V2A

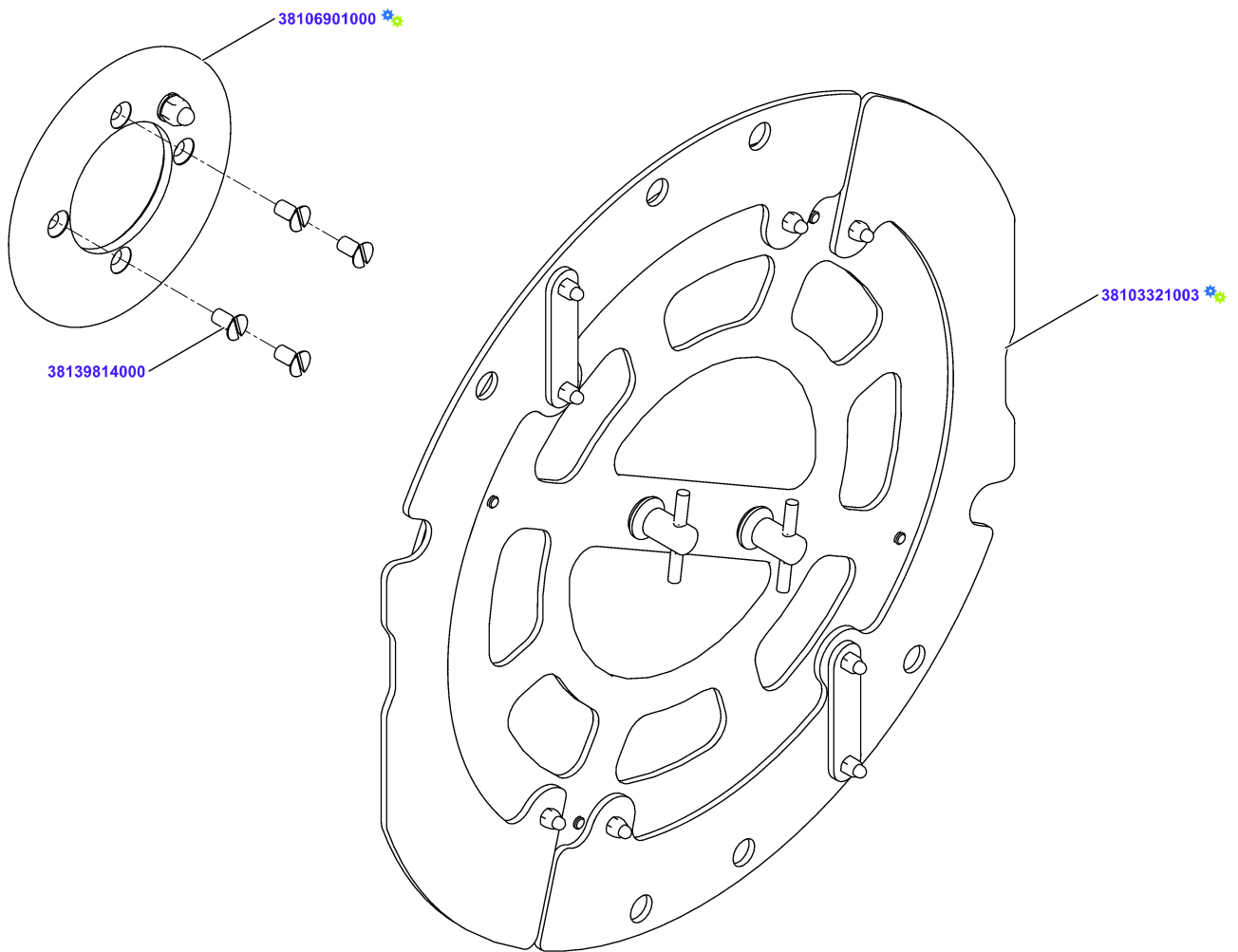
Blade Removal Device preassembled






Blade Removal Device preassembled

Material No.	Qty	Material description	available for order	Wear part	Recomm. sp. part	Metr. relevance
38103323001	1	Safety Disk 331,5x3				
38025716000	4	stop pin				
38025717003	2	Blade Removing Bolt preassembled				
95972840002	0,002	Loctite 648 10ml.				
56444600000	2	Hexagon nut DIN439-M6-A2				
56456600000	2	Hexagon nut DIN934-M6-A2				
65016000132	4	Washer DIN125-A-8-PA6				
38105330003	2	Ring plate				
56972540000	4	Mushroom head screw M4x10-A2-70				
38101899000	4	Cap nut DIN986-M4-A2				
38106967000	2	Distance Plate				
57630430000	2	Countersunk screw DIN963 M4x10-A2-70				
38101899000	4	Cap nut DIN986-M4-A2				
56972500000	2	Mushroom head screw M4x12-A2-70				

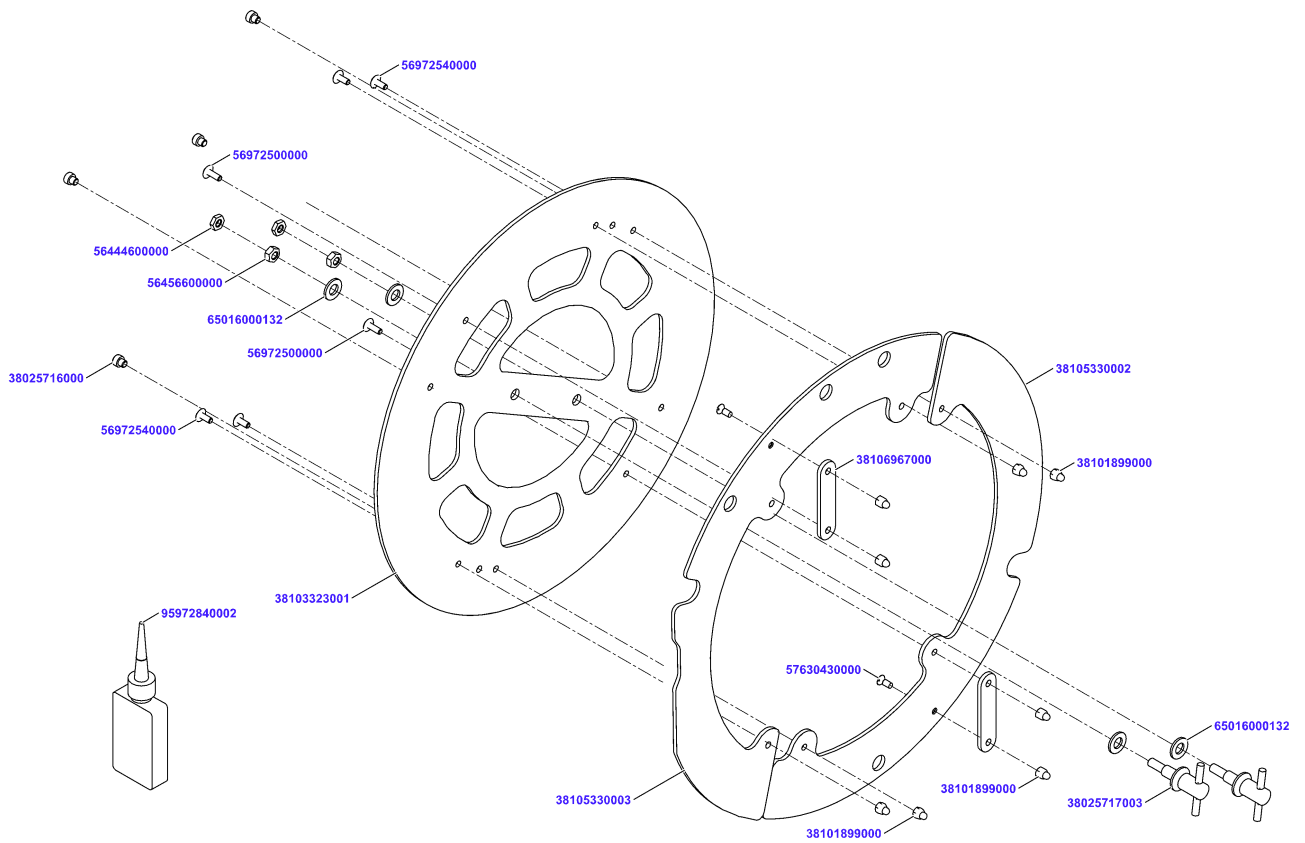
Blade removal device 330 V2A

















Blade removal device 330 V2A

Material No.	Qty	Material description	available for order	Wear part	Recomm. sp. part	Metr. relevance
38103321003	1	Blade Removal Device preassembled				
38106901000	1	Cover preassembled				
38139814000	4	Screw DIN963 M6x12-A2 - Precote 80-8				

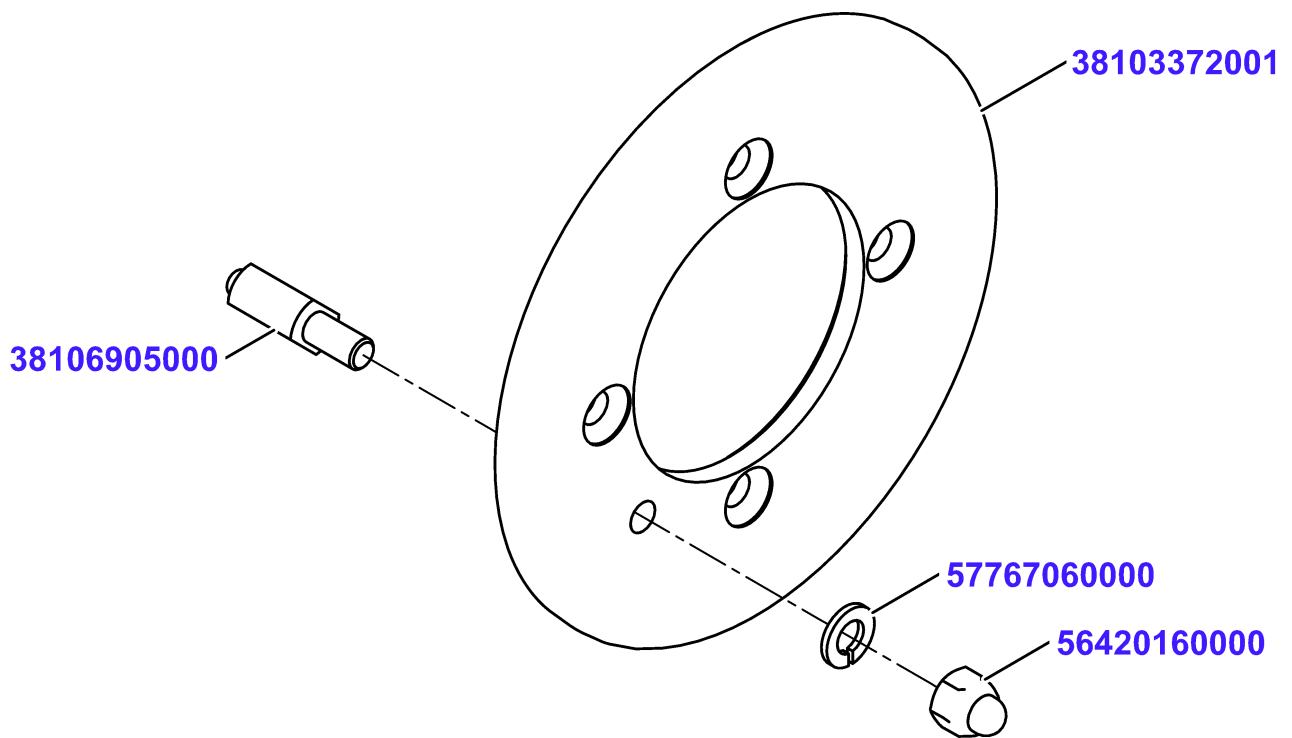
Blade Removal Device preassembled



Blade Removal Device preassembled

Material No.	Qty	Material description	available for order	Wear part	Recomm. sp. part	Metr. relevance
38103323001	1	Safety Disk 331,5x3				
38025716000	4	stop pin				
38025717003	2	Blade Removing Bolt preassembled				
95972840002	0,002	Loctite 648 10ml.				
56444600000	2	Hexagon nut DIN439-M6-A2				
56456600000	2	Hexagon nut DIN934-M6-A2				
65016000132	4	Washer DIN125-A-8-PA6				
38105330003	2	Ring plate				
56972540000	4	Mushroom head screw M4x10-A2-70				
38101899000	4	Cap nut DIN986-M4-A2				
38106967000	2	Distance Plate				
57630430000	2	Countersunk screw DIN963 M4x10-A2-70				
38101899000	4	Cap nut DIN986-M4-A2				
56972500000	2	Mushroom head screw M4x12-A2-70				

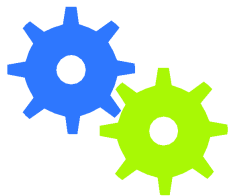
Cover preassembled



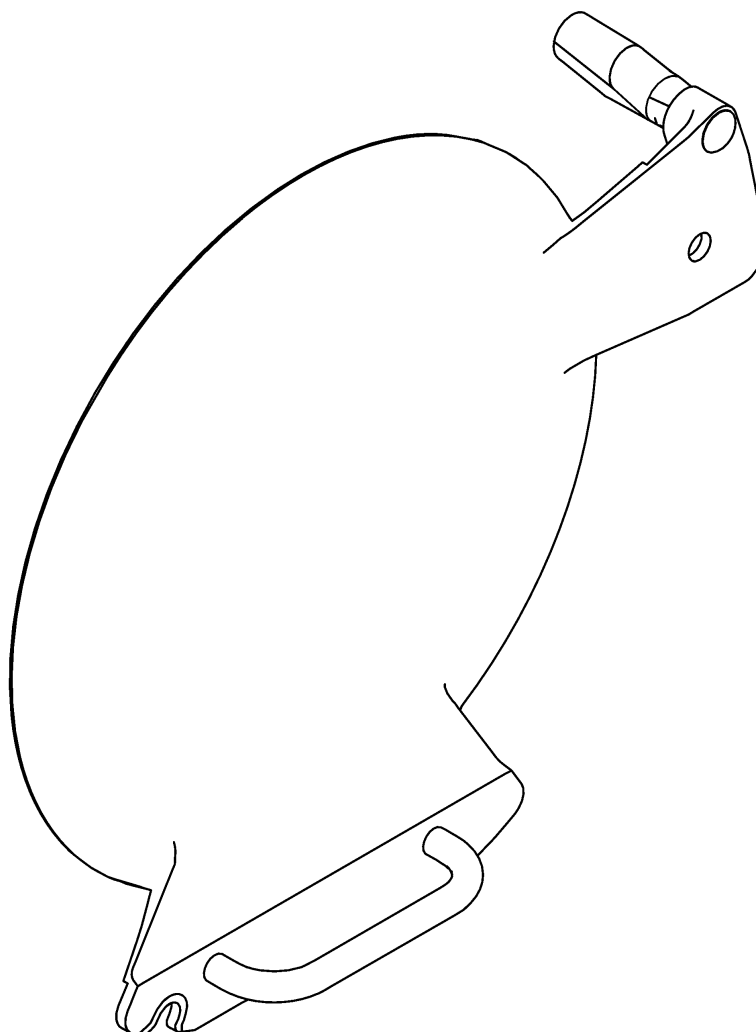
Cover preassembled

Material No.	Qty	Material description	available for order	Wear part	Recomm. sp. part	Metr. relevance
38103372001	1	Cover				
38106905000	1	Centering Pin				
56420160000	1	Cap nut DIN986-M6-A2				
57767060000	1	Spring lock washer DIN128-A6-FSt				

Blade cover




38139179000

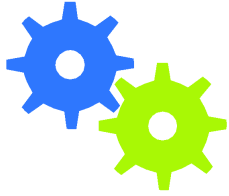


Blade cover

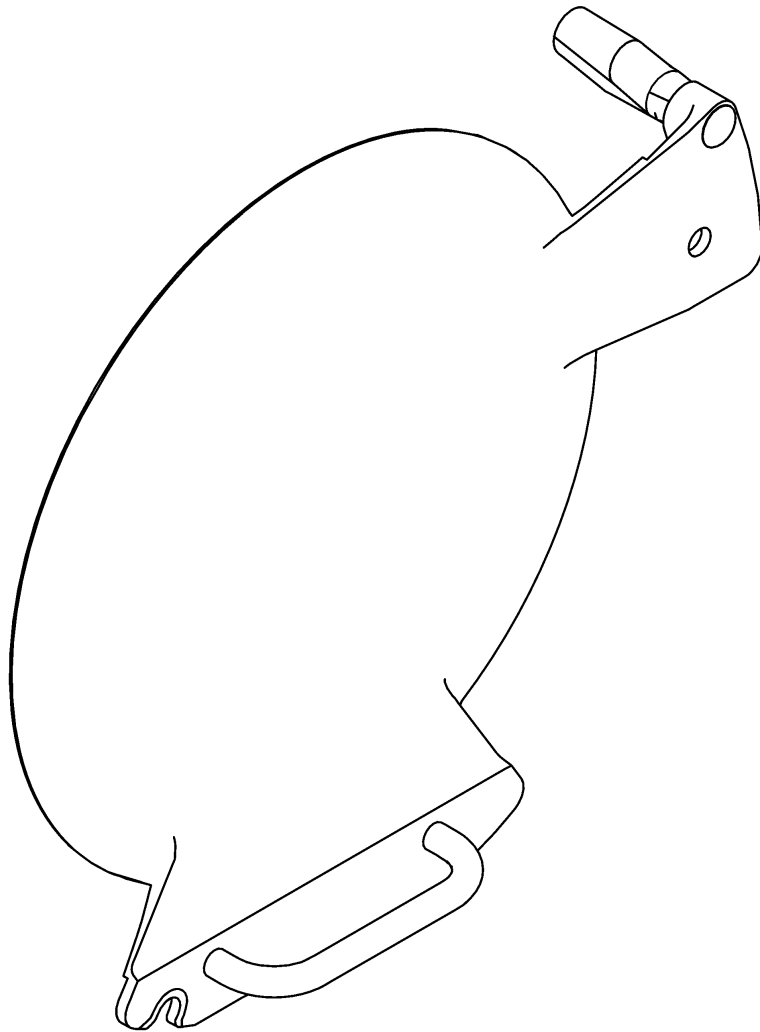
Material No.	Qty	Material description
38139179000	1	Blade cover cpl.

	available for order
	Wear part
	Recomm. sp. part
	Metr. relevance

Blade cover



38140910000



Blade cover

Material No.	Qty	Material description
38140910000	1	Blade cover cpl. C

available for order

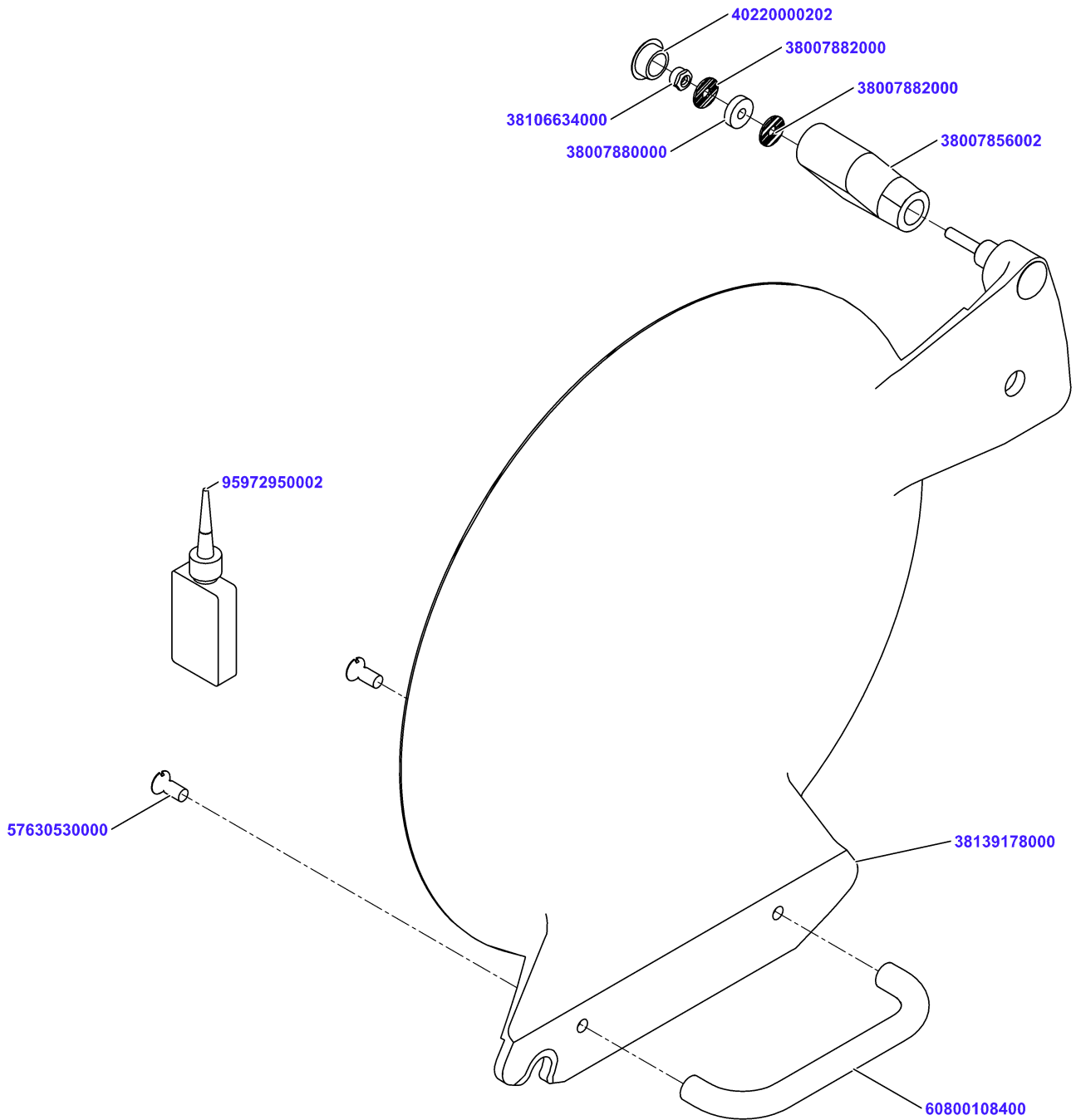
Wear part

Recomm. sp. part










Metr. relevance



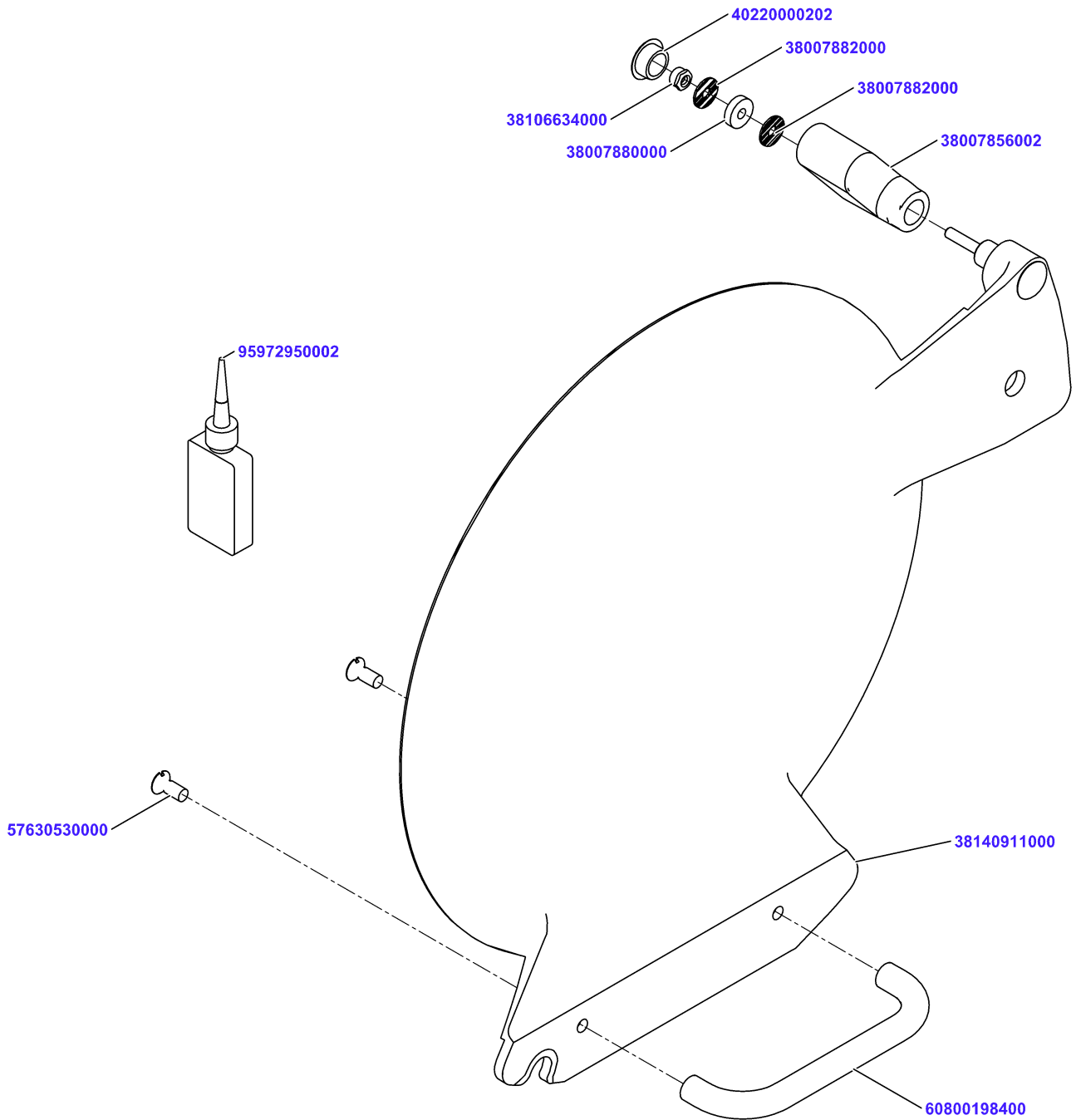
Blade cover cpl.



Blade cover cpl.

Material No.	Qty	Material description	available for order	Wear part	Recomm. sp. part	Metr. relevance
38139178000	1	Blade Cover preass				
38007856002	1	Latch 17x50,5x30,4				
38007880000	1	washer				
38007882000	2	thrust washer				
38106634000	1	Lock nut ISO10511-M4-A4				
40220000202	1	Plug Black 16x6,5x12,2 Knurled				
60800108400	1	bracket handle				
57630530000	2	Countersunk screw DIN963 M5x12-A2-70				
95972950002	0,001	Loctite 243 50 ml				

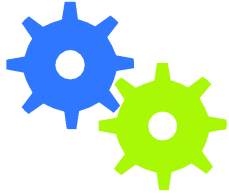
Blade cover cpl. C



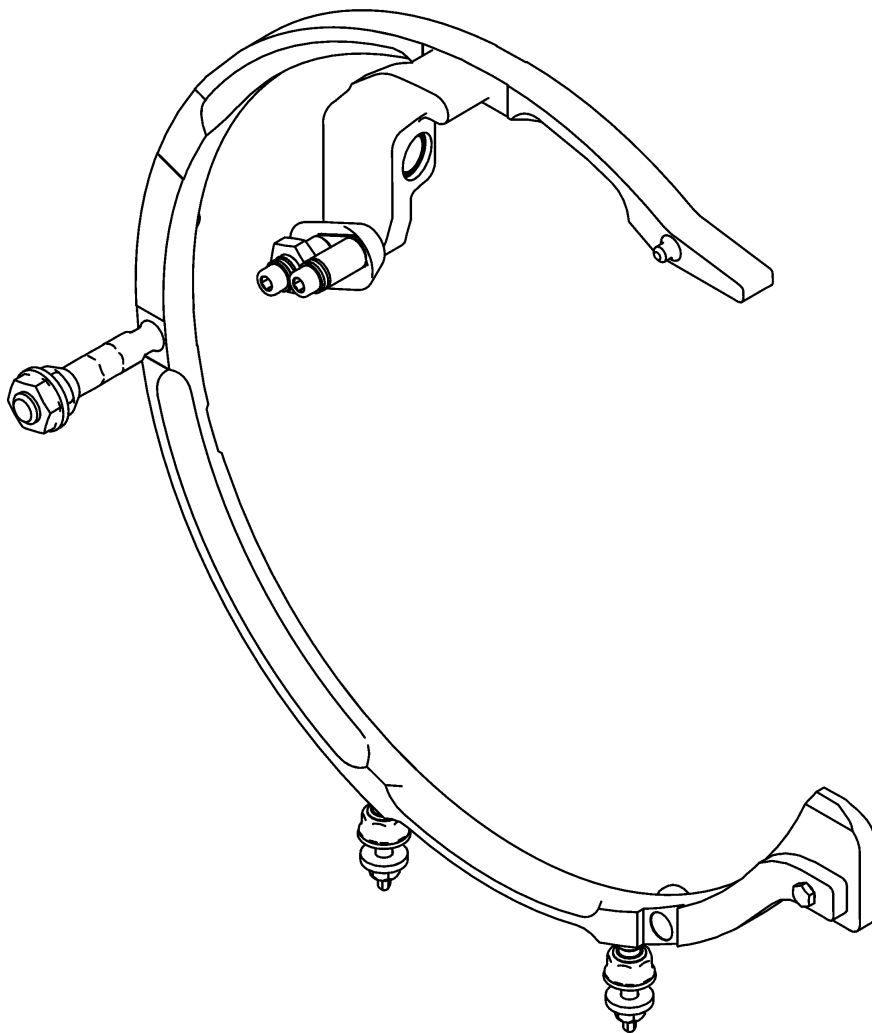
Blade cover cpl. C

Material No.	Qty	Material description	available for order	Wear part	Recomm. sp. part	Metr. relevance
38140911000	1	Blade Cover preass C				
38007856002	1	Latch 17x50,5x30,4				
38007880000	1	washer				
38007882000	2	thrust washer				
38106634000	1	Lock nut ISO10511-M4-A4				
40220000202	1	Plug Black 16x6,5x12,2 Knurled				
60800198400	1	Bracket handle C 100 x 32 x 10				
57630530000	2	Countersunk screw DIN963 M5x12-A2-70				
95972950002	0,001	Loctite 243 50 ml				

Blade guard ring + Deflector



38133194000



Blade guard ring + Deflector

Material No.	Qty	Material description
--------------	-----	----------------------

38133194000	1	Blade Guard Ring cpl
-----------------------------	---	----------------------

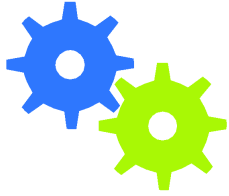
available for order

Wear part

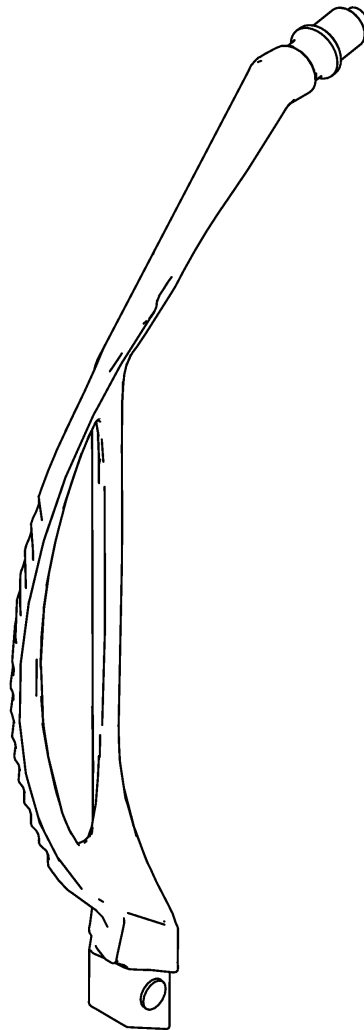
Recomm. sp. part

Metr. relevance

Blade guard ring + Deflector



38134781000



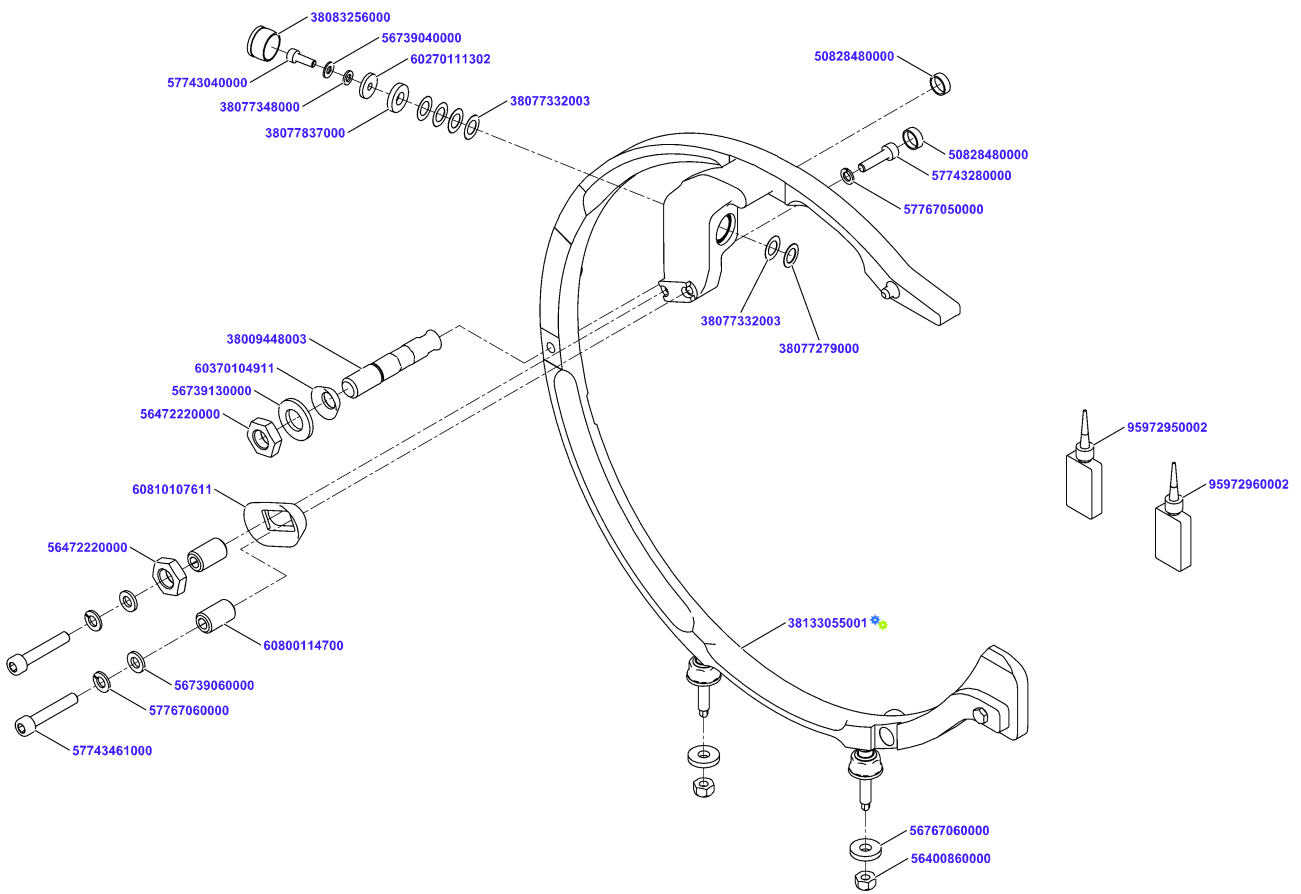
Blade guard ring + Deflector

Material No. **Qty** **Material description**

[38134781000](#) 1 Deflector preass

available for order
Wear part
Recomm. sp. part
Metr. relevance

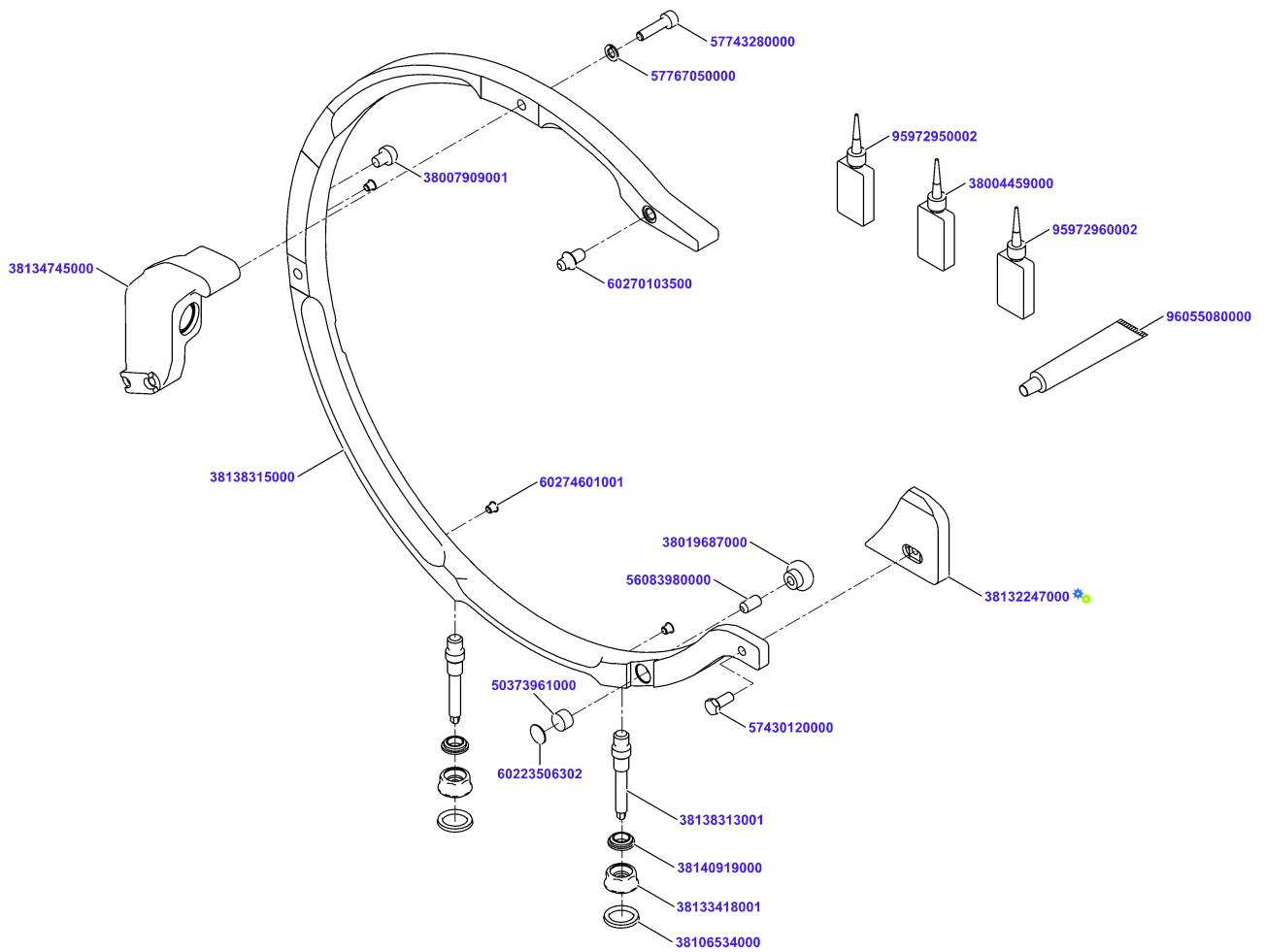
Blade Guard Ring cpl



Blade Guard Ring cpl

Material No.	Qty	Material description	available for order	Wear part	Recomm. sp. part	Metr. relevance
60800114700	2	set screw	✓			
56472220000	1	Hexagon nut DIN439-M12x1-A2	✓			
60810107611	1	Sealing	✓		✓	
57743461000	2	Cylinder screw DIN912 M6x35-A2-70	✓			
56739060000	2	Washer DIN125-A-6-A2	✓			
57767060000	2	Spring lock washer DIN128-A6-FSt	✓			
38009448003	1	Distance Bolt 10/12x65,5 M12x1-M5	✓			
60370104911	1	Sealing	✓		✓	
56472220000	1	Hexagon nut DIN439-M12x1-A2	✓			
56739130000	1	Washer DIN125-A-12-A2	✓			
38133055001	1	Blade Guard Ring preass	✓			
56767060000	2	Washer DIN7349-6-St	✓			
56400860000	2	Lock nut DIN985-M6-A2	✓			
57743280000	1	Cylinder screw DIN912 M5x20-A2-70	✓			
57767050000	1	Spring lock washer DIN128-A5-FSt	✓			
50828480000	2	Protective Plug 11.12249 PE-LD	✓			
38077332003	1	Thrusted washer 13,8x8,2x0,18	✓			
38077279000	1	Disk	✓			
38077332003	4	Thrusted washer 13,8x8,2x0,18	✓			
38077837000	1	Brake Pulley	✓			
60270111302	1	Washer	✓			
38077348000	1	Disk	✓			
56739040000	1	Washer DIN125-A 4.3-A2-70	✓			
57743040000	1	Cylinder screw DIN912 M4x12-A2-70	✓			
95972950002	0,001	Loctite 243 50 ml	✓			
95972960002	0,001	Loctite 7649 500ml	✓			
38083256000	1	Protective plug 17,1x16,2x8-PE	✓			

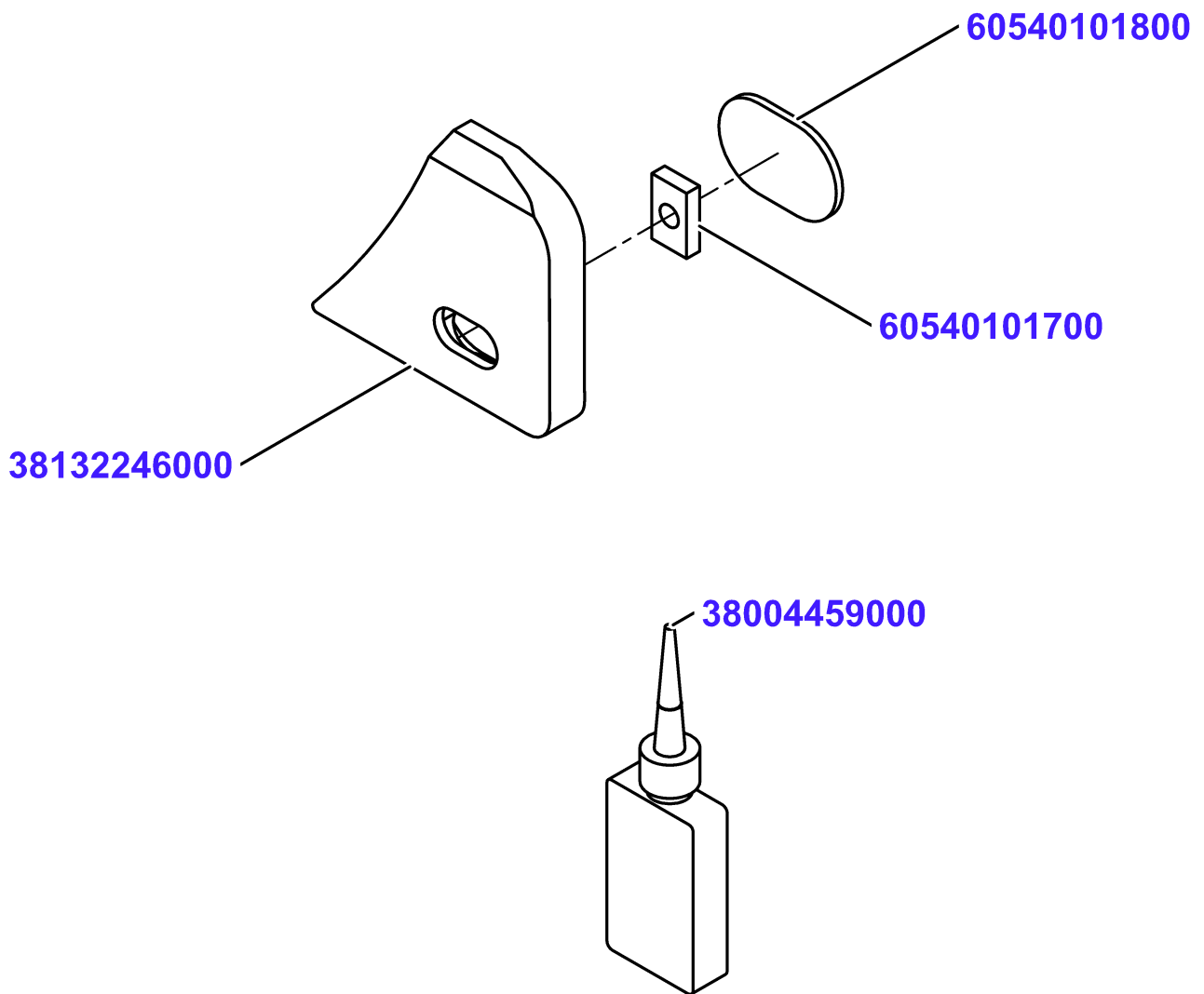
Blade Guard Ring preass



Blade Guard Ring preass





Material No.	Qty	Material description	available for order	Wear part	Recomm. sp. part	Metr. relevance
38138315000	1	Blade Guard Ring	✓			
38132247000	1	Product supporter cpl				
57430120000	1	Hexagon screw DIN933 M5x12 A2-70	✓			
95972950002	0,001	Loctite 243 50 ml	✓			
38019687000	1	Location bolt HD 16x10,9 K	✓			
56083980000	1	Set screw DIN916 M6x12-A2-70	✓			
38004459000	0,001	Loctite 648	✓			
38007909001	1	Fixing bolt	✓			
60274601001	3	Bolt PA - 4,1x4,5	✓			
60270103500	1	pin	✓			
50373961000	1	Disc magnet 10x6	✓			
60223506302	1	cover 11x0,5	✓			
95972870002	0,001	Loctite 638	✓			
95972960002	0,001	Loctite 7649 500ml	✓			
38138313001	2	Locking bolt	✓			
38004459000	0,001	Loctite 648	✓			
38133418001	2	Adjusting sleeve	✓			
38106534000	2	Seal ring 18x14x2	✓			
38140919000	2	Seal ring 14x8x5.1	✓			
96055080000	0,001	Kluebersynth UH1 64-62/25kg	✓			
38134745000	1	Mounting preass	✓			
57767050000	1	Spring lock washer DIN128-A5-FSt	✓			
57743280000	1	Cylinder screw DIN912 M5x20-A2-70	✓			
95972950002	0,001	Loctite 243 50 ml	✓			

Product supporter cpl

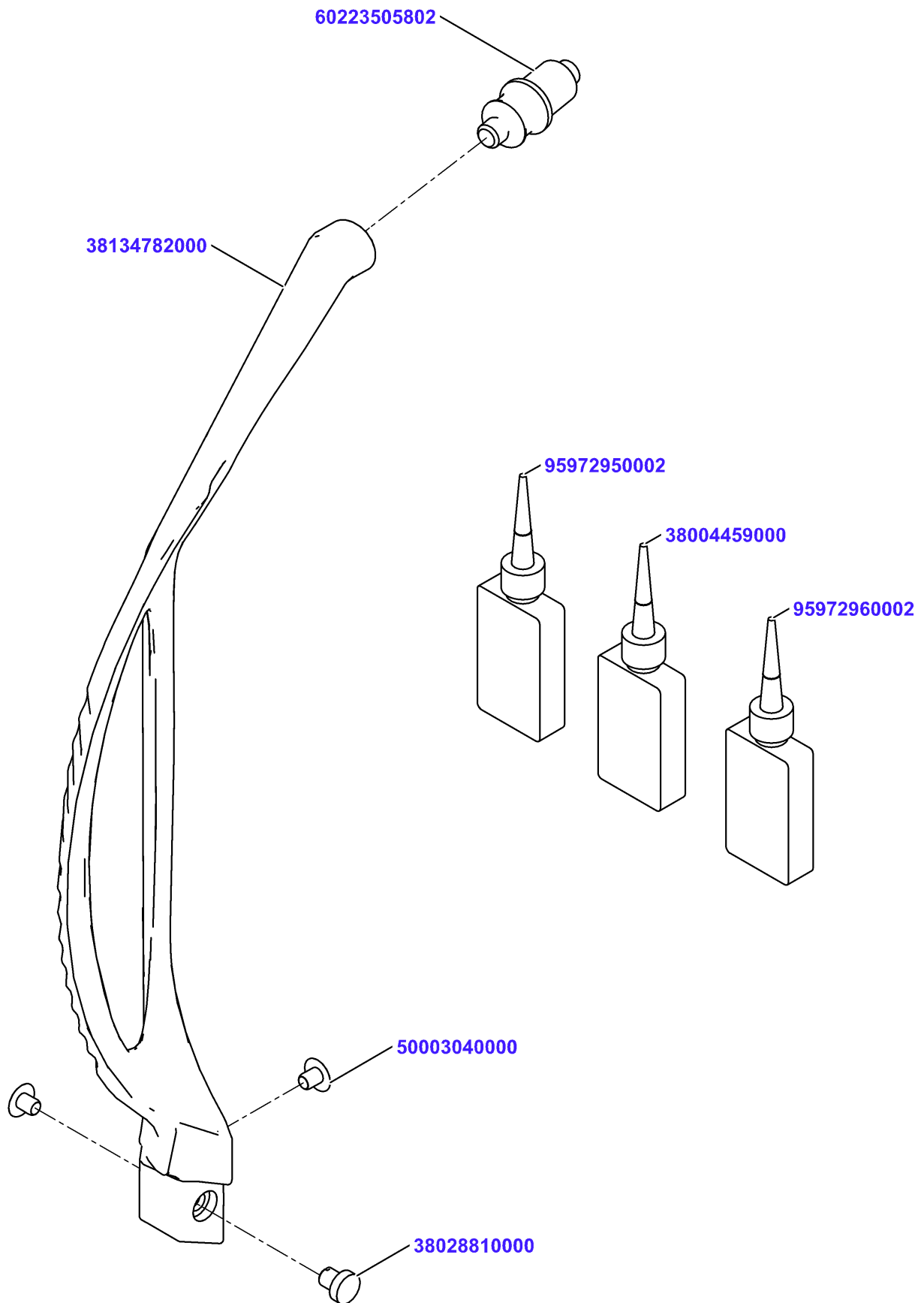


Product supporter cpl

Material No.	Qty	Material description
38132246000	1	Product supporter
60540101700	1	nut
60540101800	1	cover
38004459000	0,001	Loctite 648

available for order	Wear part	Recomm. sp. part	Metr. relevance
			
			
			
			

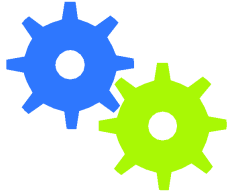
Deflector preass



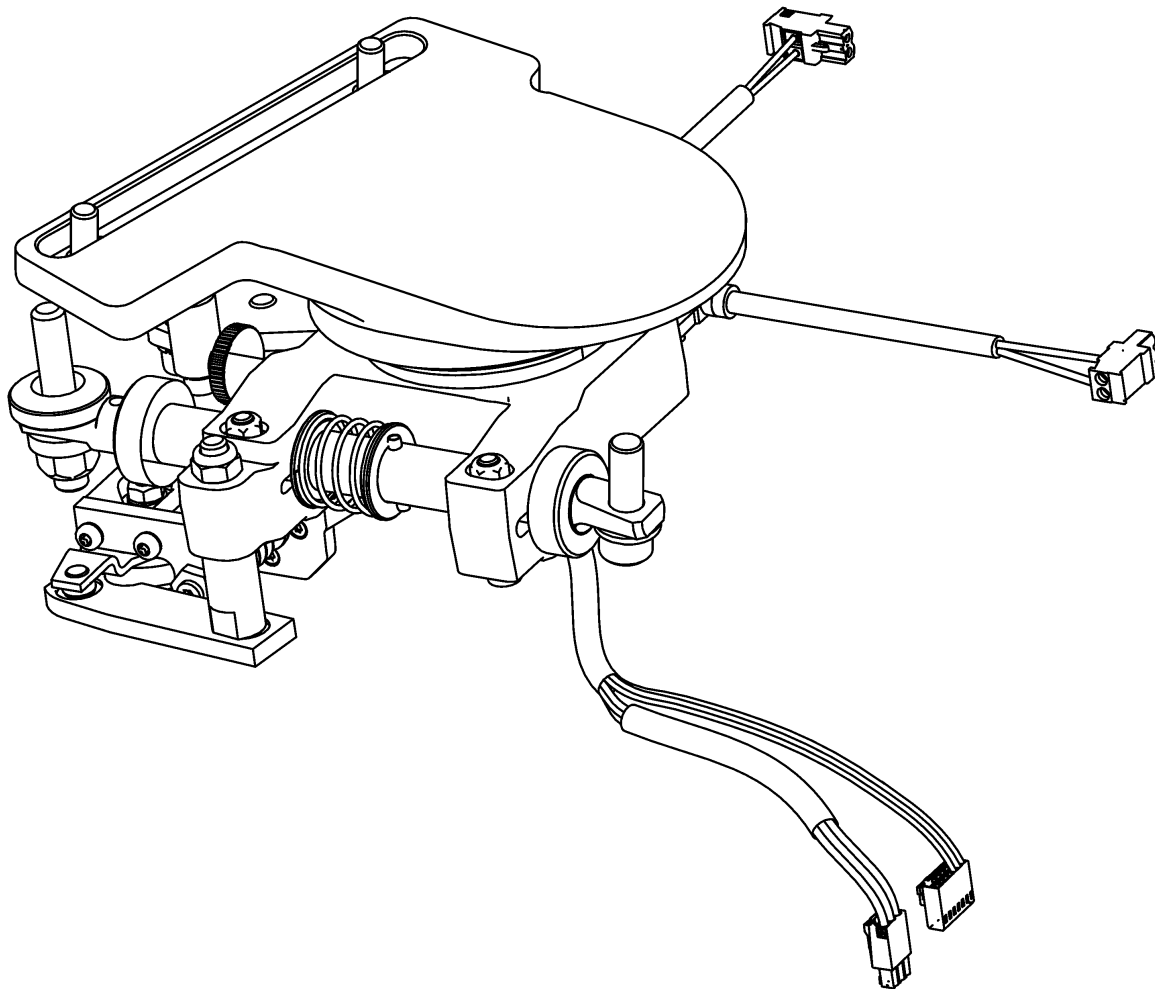
Deflector preass

Material No.	Qty	Material description	available for order	Wear part	Recomm. sp. part	Metr. relevance
38134782001	1	Deflector 330 machined	✓			
60223505802	1	Bearing Bolt	✓			
38004459000	0,001	Loctite 648	✓			
95972960002	0,001	Loctite 7649 500ml	✓			
38028810000	1	adjusting bolt	✓			
95972950002	0,001	Loctite 243 50 ml	✓			
50003040000	2	Protective plug 11x5x6-PE	✓		✓	

Gauge plate drive



38064470008

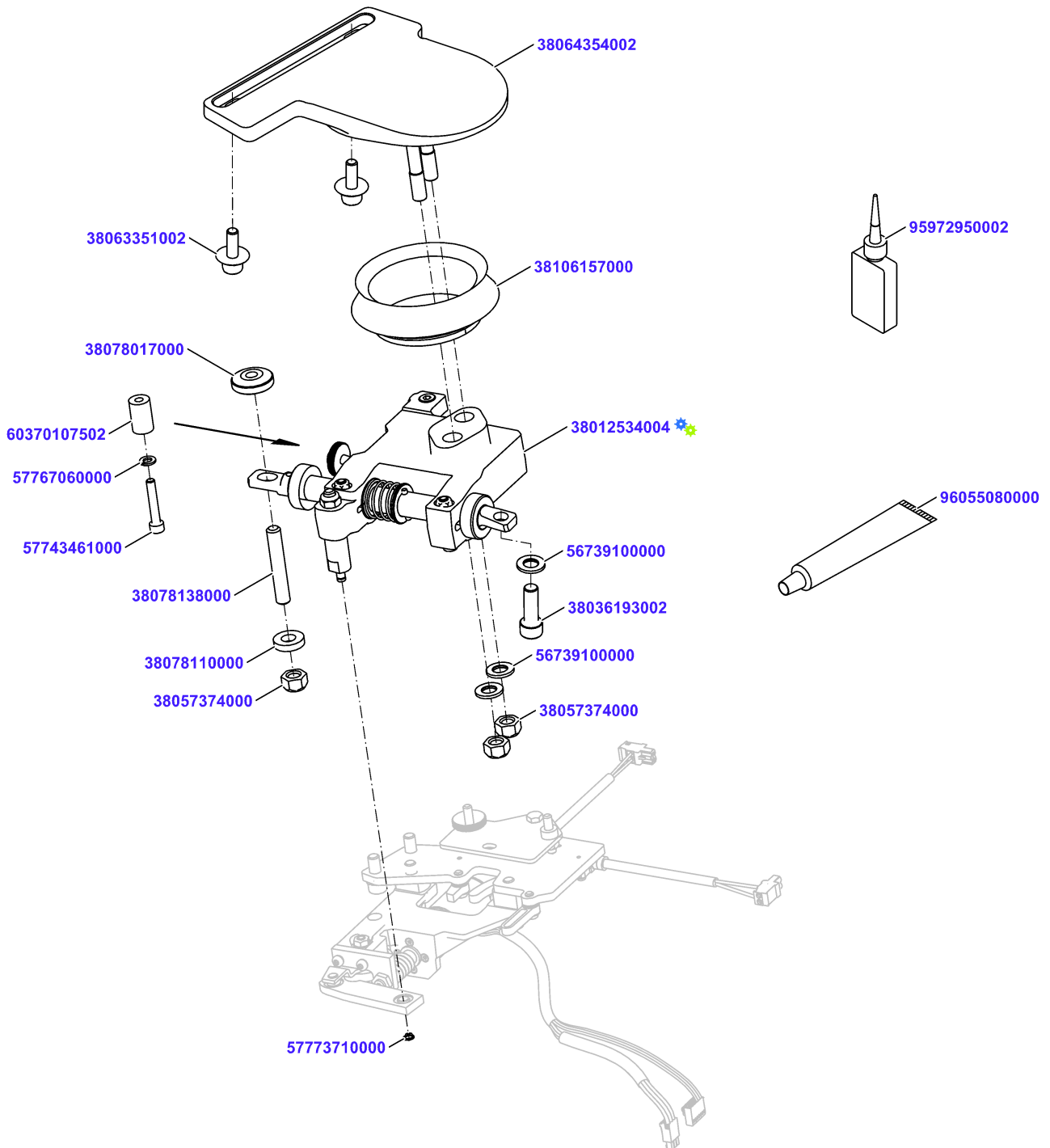


Gauge plate drive

available for order
Wear part
Recomm. sp. part
Metr. relevance

Material No.	Qty	Material description
38064470008	1	Gauge plate drive VSI cpl

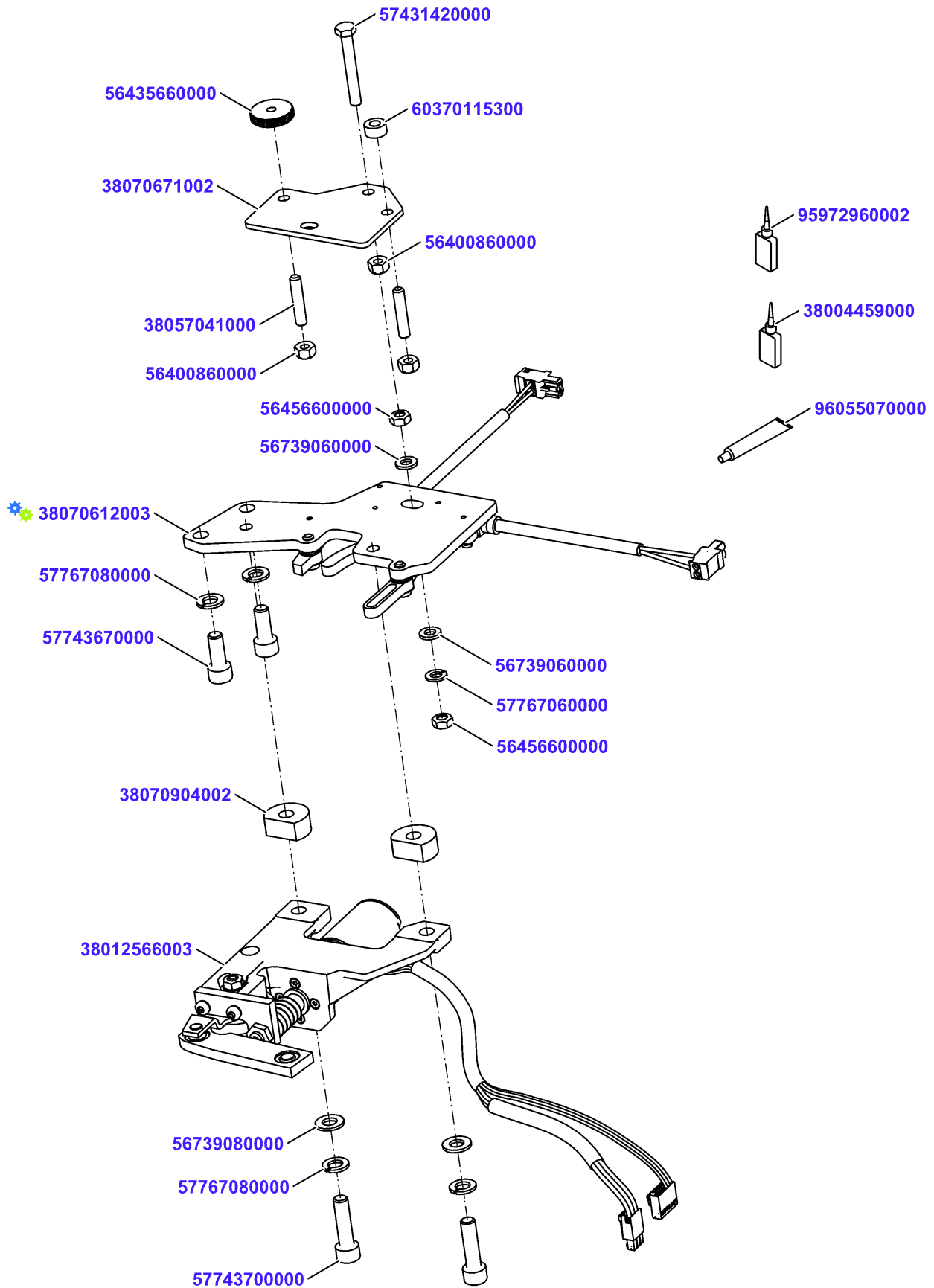
Gauge plate drive VSI cpl



Gauge plate drive VSI cpl

Material No.	Qty	Material description	available for order	Wear part	Recomm. sp. part	Metr. relevance
38078138000	1	Set screw ISO4026 M10x60	✓			
38078017000	1	Knurled Nut M10	✓			
60370107502	1	spacer	✓			
57743461000	1	Cylinder screw DIN912 M6x35-A2-70	✓			
57767060000	1	Spring lock washer DIN128-A6-FSt	✓			
38064354002	1	Gauge plate base preass	✓			
38106157000	1	Sealing Gauge Plate with Stiffening Ring	✓		✓	
96055080000	0,001	Kluebersynth UH1 64-62/25kg	✓			
38012534004	1	Bearing bracket cpl	✓			
38078110000	1	Washer	✓			
38057374000	1	Hexagon nut ISO7042-M10-St	✓			
38036193002	1	Cylinder screw DIN912 M10x30-A2-70	✓			
56739100000	1	Washer DIN125-A-10-A2	✓			
95972950002	0,001	Loctite 243 50 ml	✓			
38057374000	2	Hexagon nut ISO7042-M10-St	✓			
56739100000	2	Washer DIN125-A-10-A2	✓			
57767060000	1	Spring lock washer DIN128-A6-FSt	✓			
57773710000	1	Retaining ring DIN471-6x0,7	✓			
38063351002	2	Screw	✓			

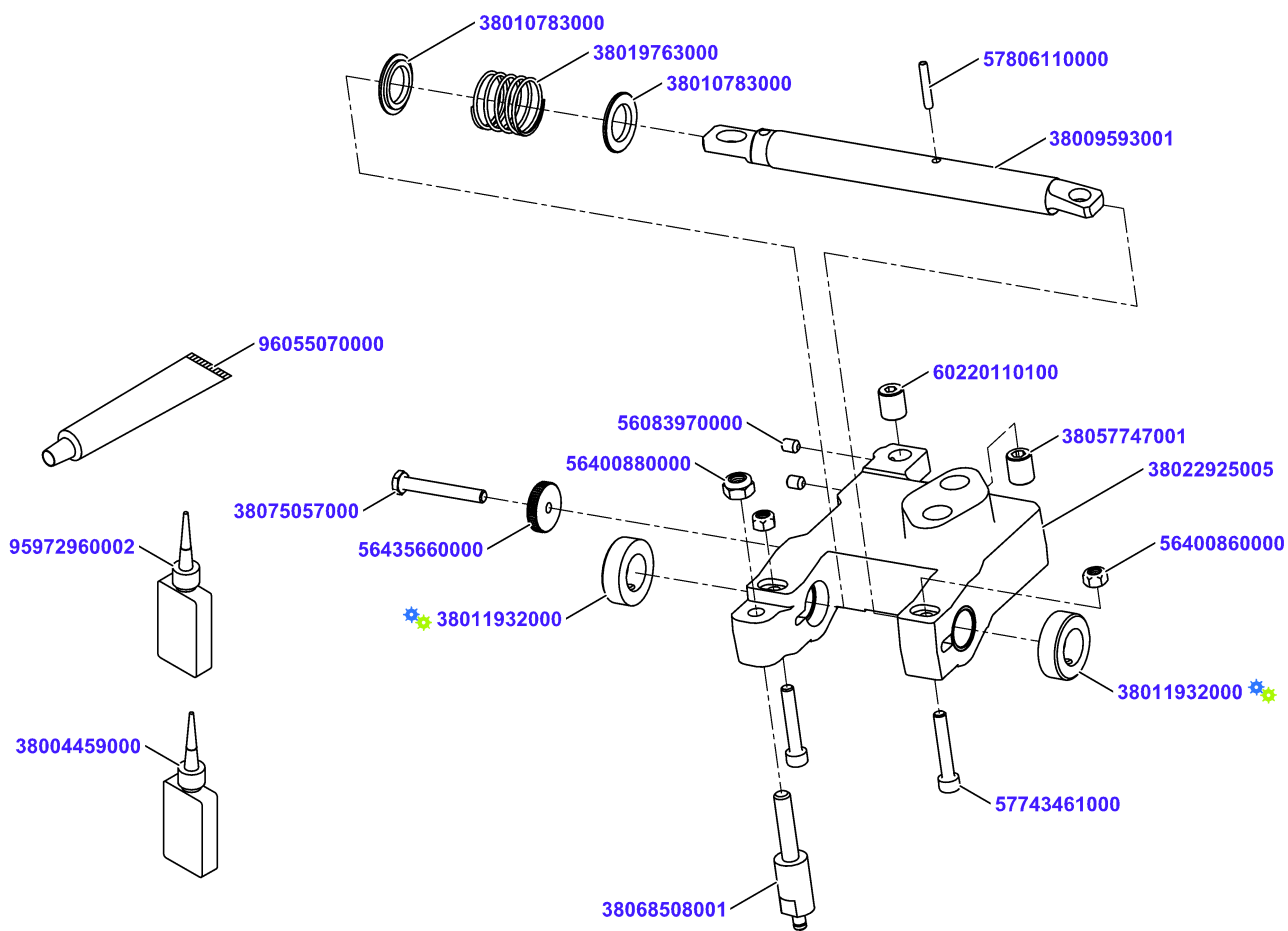
Gauge plate drive VSI cpl



Gauge plate drive VSI cpl

Material No.	Qty	Material description	available for order	Wear part	Recomm. sp. part	Metr. relevance
95972960002	0,001	Loctite 7649 500ml	✓			
38004459000	0,001	Loctite 648	✓			
56435660000	1	Knurled nut DIN467-M6-A2	✓			
57767060000	1	Spring lock washer DIN128-A6-FSt	✓			
38070671002	1	Support rail	✓			
96055070000	0,001	Grease PARALIQ GA 343	✓			
60370115300	1	Spacer ring	✓			
56400860000	2	Lock nut DIN985-M6-A2	✓			
57431420000	1	Hexagon screw DIN933 M6x45 A2-70	✓			
56400860000	1	Lock nut DIN985-M6-A2	✓			
38070612003	1	Beam preass	✓			
57743670000	2	Cylinder screw DIN912 M8x20-A2-70	✓			
57767080000	2	Spring lock washer DIN128-A8-A2	✓			
56456600000	2	Hexagon nut DIN934-M6-A2	✓			
56739060000	2	Washer DIN125-A-6-A2	✓			
57767060000	1	Spring lock washer DIN128-A6-FSt	✓			
38012566003	1	Motoric Slicing Thickness Adjustment	✓		✓	
38070904002	2	Spacer	✓			
57743700000	2	Cylinder screw DIN912 M8x30-A2-70	✓			
56739080000	2	Washer DIN125-A-8-A2	✓			
57767080000	2	Spring lock washer DIN128-A8-A2	✓			
38057041000	1	Set screw ISO4026 M6x30-A2-70	✓			
38057041000	1	Set screw ISO4026 M6x30-A2-70	✓			

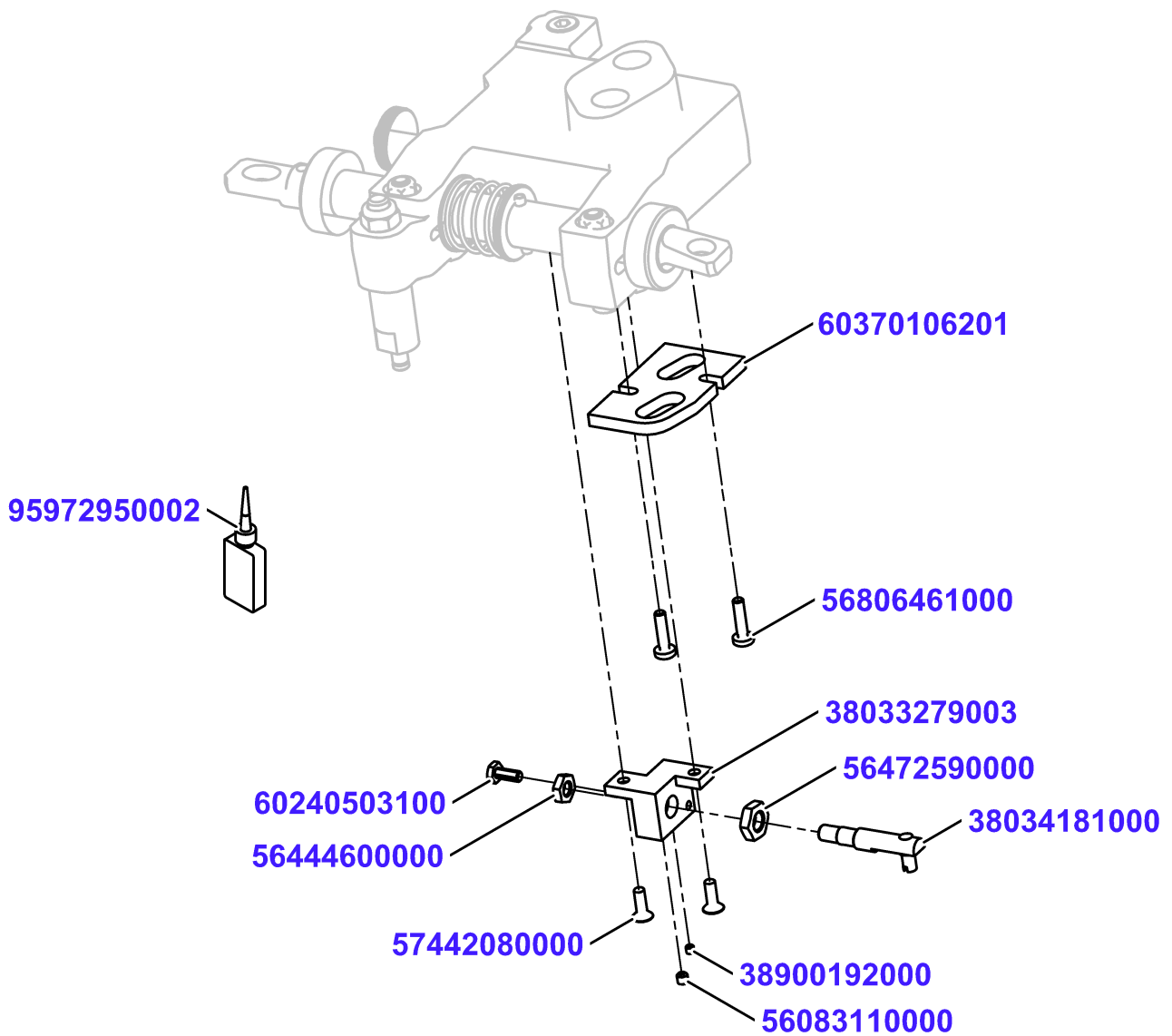
Bearing bracket cpl














Bearing bracket cpl

Material No.	Qty	Material description	available for order	Wear part	Recomm. sp. part	Metr. relevance
38022925005	1	Bearing bracket preass	✓			
57743461000	2	Cylinder screw DIN912 M6x35-A2-70	✓			
56400860000	2	Lock nut DIN985-M6-A2	✓			
56400880000	1	Lock nut DIN985-M8-A2	✓			
38009593001	1	Axis	✓			
96055070000	0,001	Grease PARALIQ GA 343	✓			
57806110000	1	Clamping pin ISO8750-4x24-A2	✓			
38010783000	2	pressure washer	✓			
38019763000	1	Comp. spring 28x24,8x68,5x11,65-0,89	✓			
38011932000	2	adjusting ring 18mm	✓			
60220110100	1	threaded pin	✓			
38057747001	1	threaded pin M12x1	✓			
56083970000	2	Set screw DIN916 M6x8-45H	✓			
38068508001	1	Adaption bolt	✓			
38075057000	1	Hexagon Screw DIN 933 M6x45-A2-70	✓			
56435660000	1	Knurled nut DIN467-M6-A2	✓			
95972960002	0,001	Loctite 7649 500ml	✓			
38004459000	0,001	Loctite 648	✓			

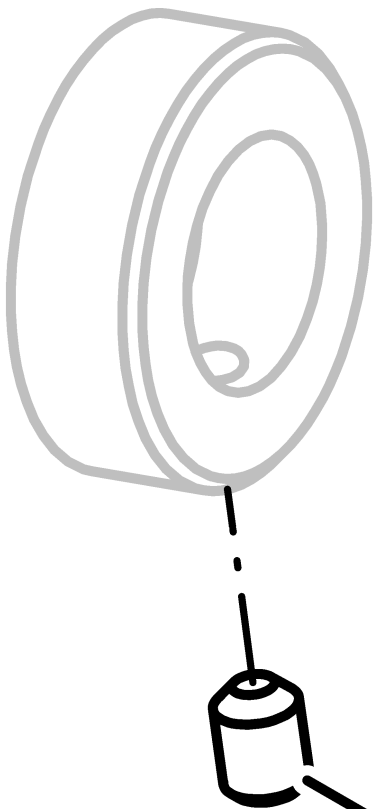
Bearing bracket cpl



Bearing bracket cpl

Material No.	Qty	Material description	available for order	Wear part	Recomm. sp. part	Metr. relevance
60370106201	1	supporting plate				
56806461000	2	Oval-head screw ISO14583 M4x16-A2-70-T20				
38033279003	1	Fixing Block				
57442080000	2	Countersunk screw DIN7991 M4x12-A2-70				
95972950002	0,001	Loctite 243 50 ml				
38034181000	1	Driver premounted				
56472590000	1	Hexagon nut DIN439-M8x1-A2				
56444600000	1	Hexagon nut DIN439-M6-A2				
56083110000	1	Set screw ISO4026 M4x4-A2-70				
60240503100	1	Hexagon screw DIN 933 M4x10-A2-70				
38900192000	1	Set screw ISO4026 M3x3-A2-70				


adjusting ring 18mm



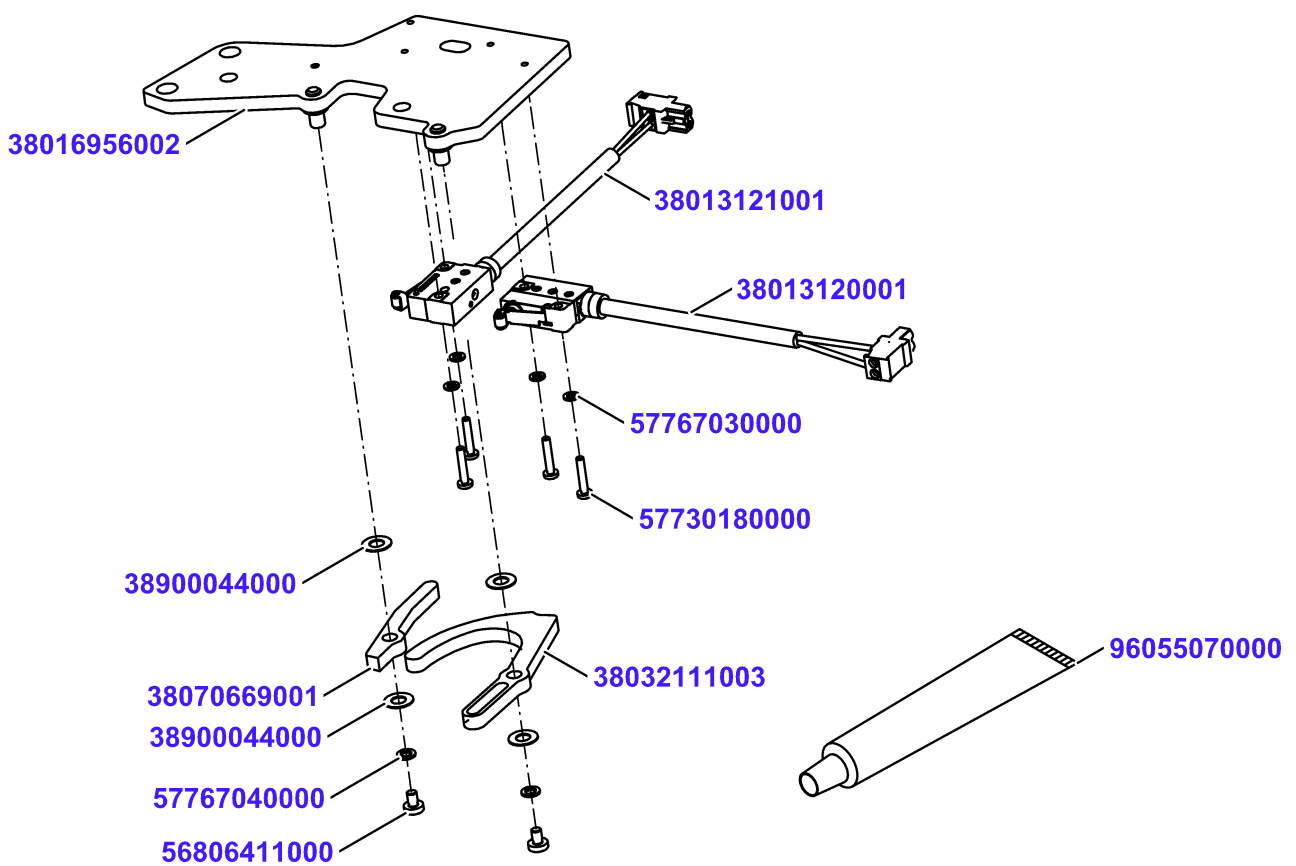
56081060000

adjusting ring 18mm

Material No.	Qty	Material description
56081060000	1	Set screw DIN916 M6x8-A2-70

	available for order
	Wear part
	Recomm. sp. part
	Metr. relevance

Beam press

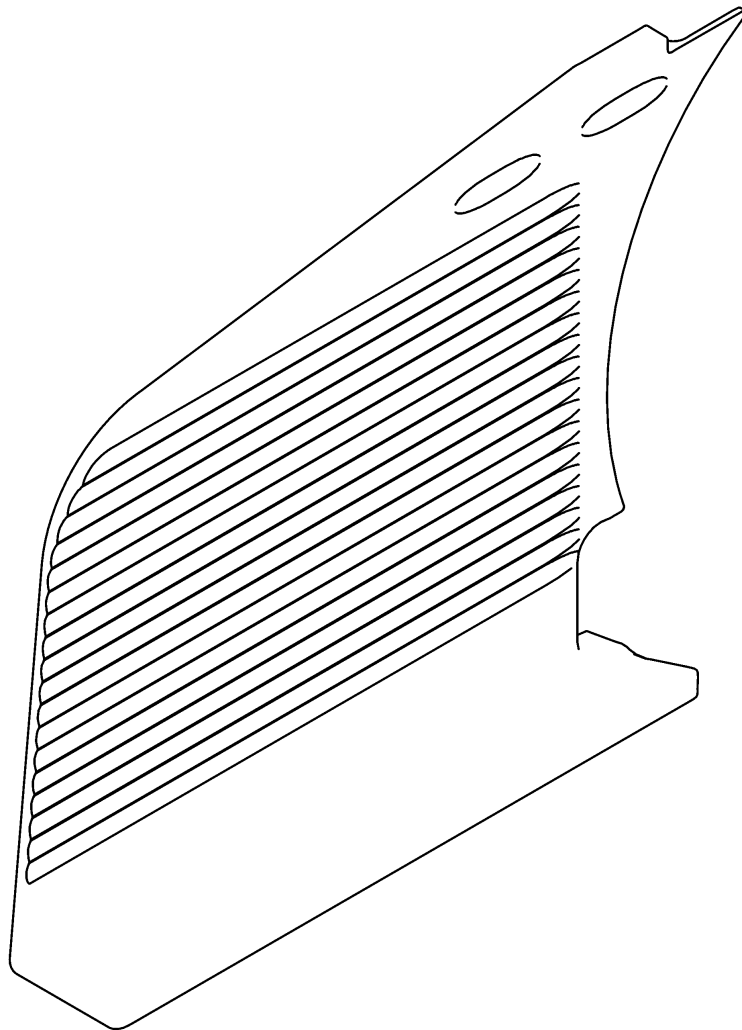


Beam preass

Material No.	Qty	Material description	available for order	Wear part	Recomm. sp. part	Metr. relevance
38016956002	1	Beam with studs	✓			
96055070000	0,001	Grease PARALIQ GA 343	✓			
38032111003	1	Lever	✓			
56806411000	1	Oval-head screw ISO14583 M4x6-A2-70-T20	✓			
38900044000	2	Shim ring DIN988-6x12x0,5	✓			
57767040000	1	Spring lock washer DIN128-A4-FSt	✓			
38070669001	1	lever	✓			
56806411000	1	Oval-head screw ISO14583 M4x6-A2-70-T20	✓			
38900044000	2	Shim ring DIN988-6x12x0,5	✓			
57767040000	1	Spring lock washer DIN128-A4-FSt	✓			
38013120001	1	switch gauge cleaning assembly	✓		✓	
57730180000	2	Oval-head screw ISO14583 M3x16-A2-70-T10	✓			
57767030000	2	Spring lock washer DIN128-A3-FSt	✓			
38013121001	1	switch gauge sharpen assembly	✓		✓	
57730180000	2	Oval-head screw ISO14583 M3x16-A2-70-T10	✓			
57767030000	2	Spring lock washer DIN128-A3-FSt	✓			

Gauge plate

38134061000



Gauge plate

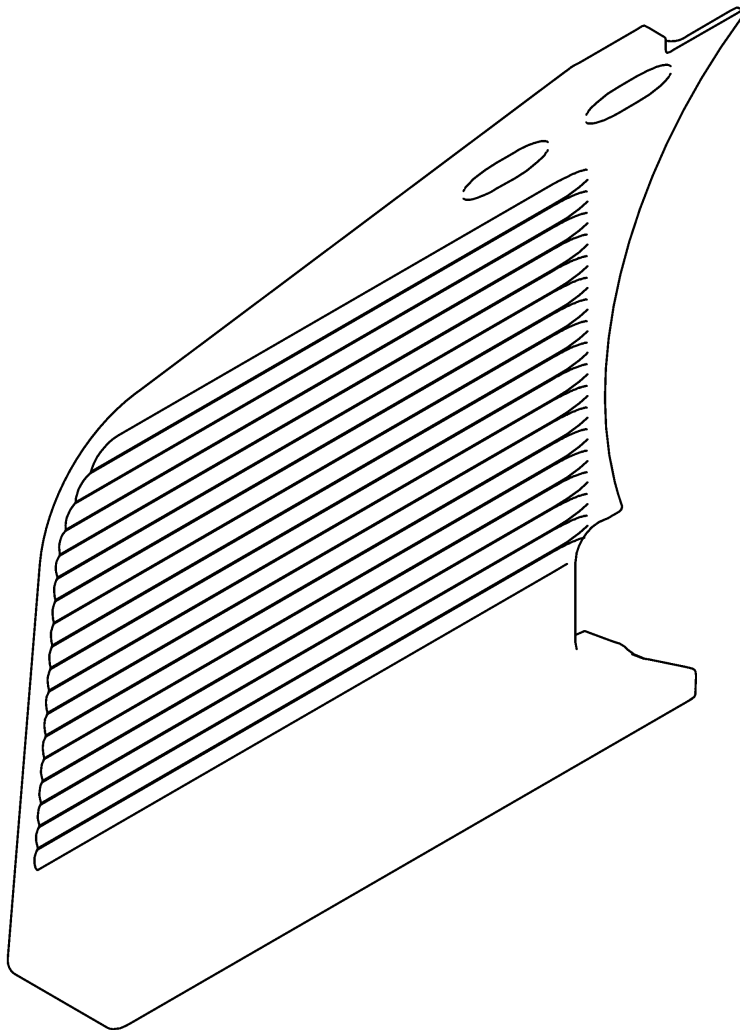
Material No. **Qty** **Material description**

38134061000 1 Gauge plate

available for order
Wear part
Recomm. sp. part
Metr. relevance

Gauge plate

38140932000

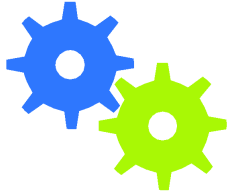


Gauge plate

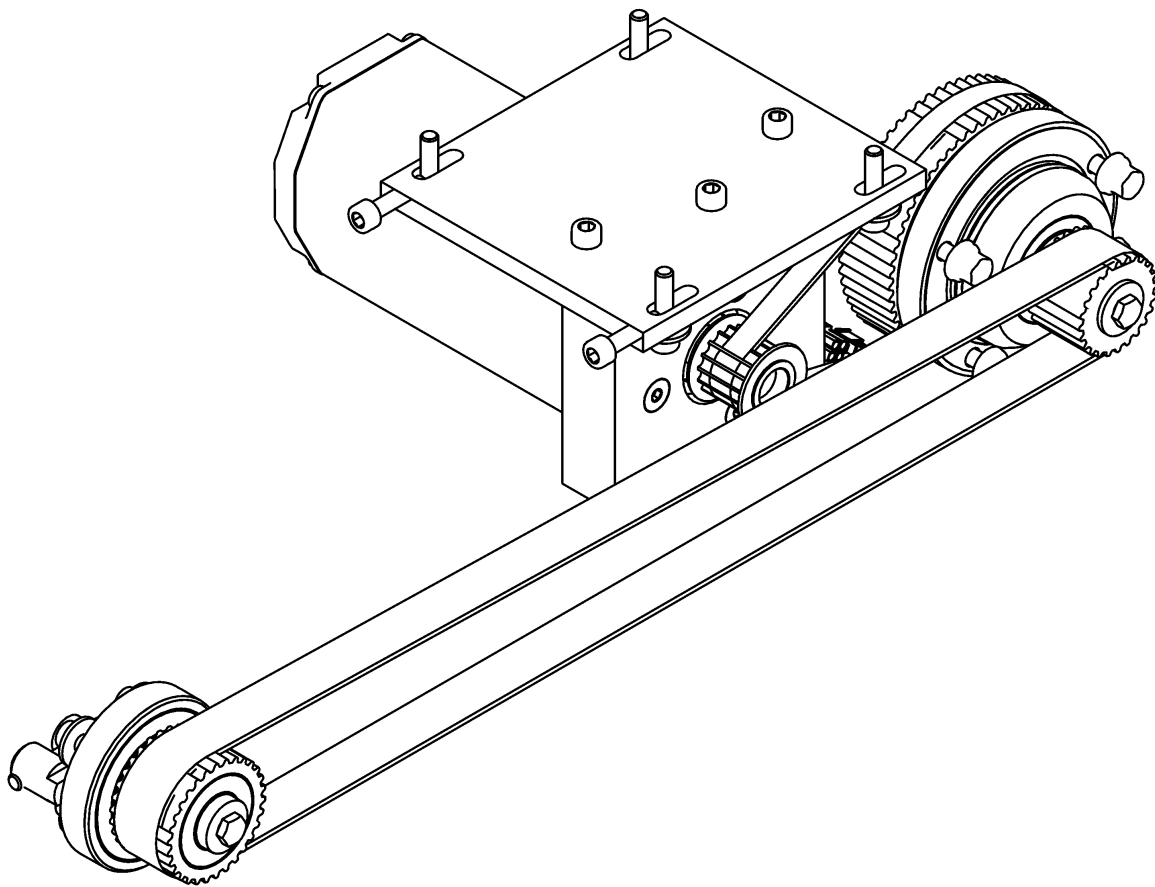
available for order
Wear part
Recomm. sp. part
Metr. relevance

Material No.	Qty	Material description
38140932000	1	Gauge plate C

Carriage drive



38134272000



Carriage drive

Material No.	Qty	Material description
38134272000	1	Carriage drive cpl
38134272001	1	Carriage drive VSI cpl.

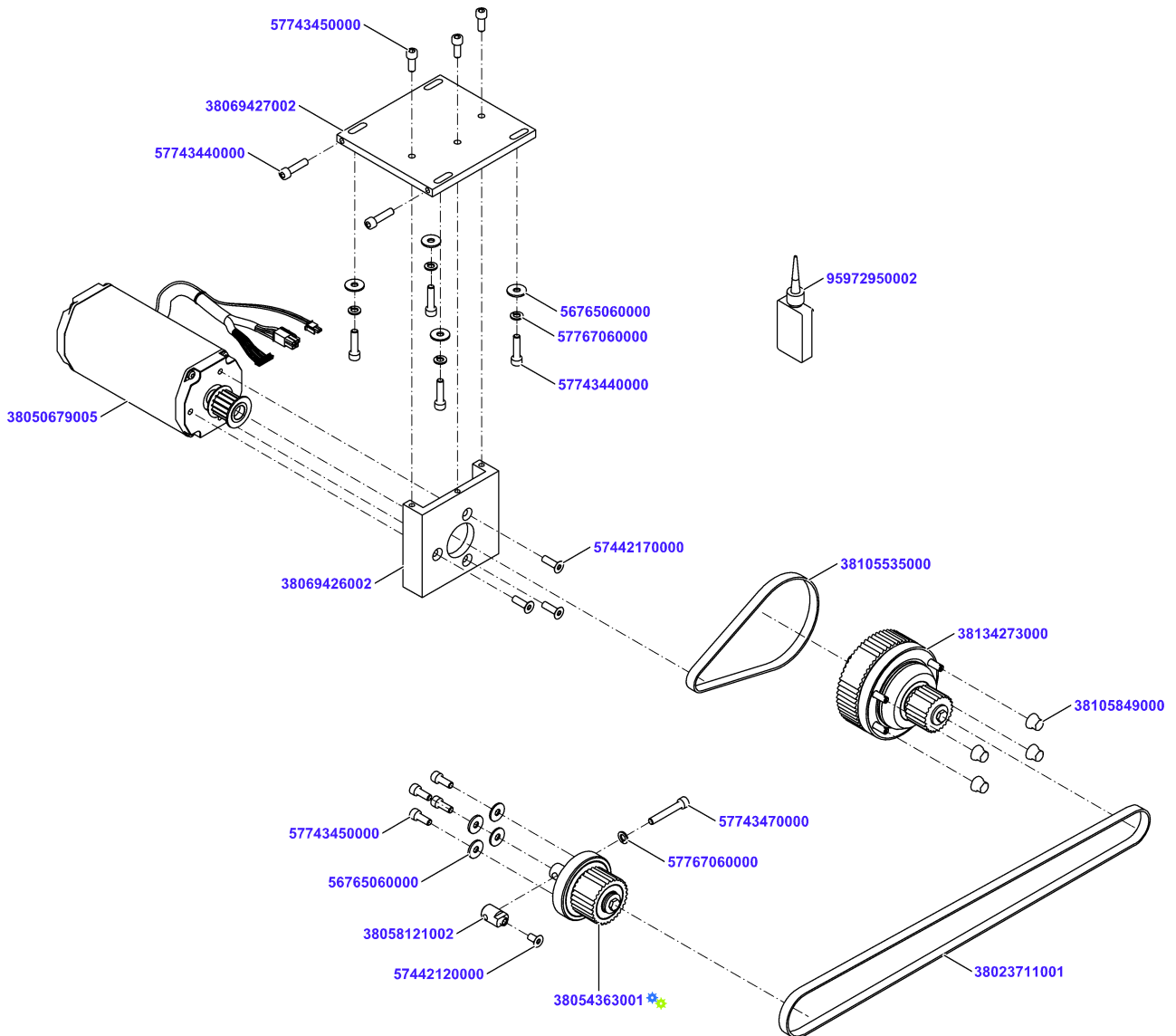
available for order

Wear part

Recomm. sp. part

Metr. relevance

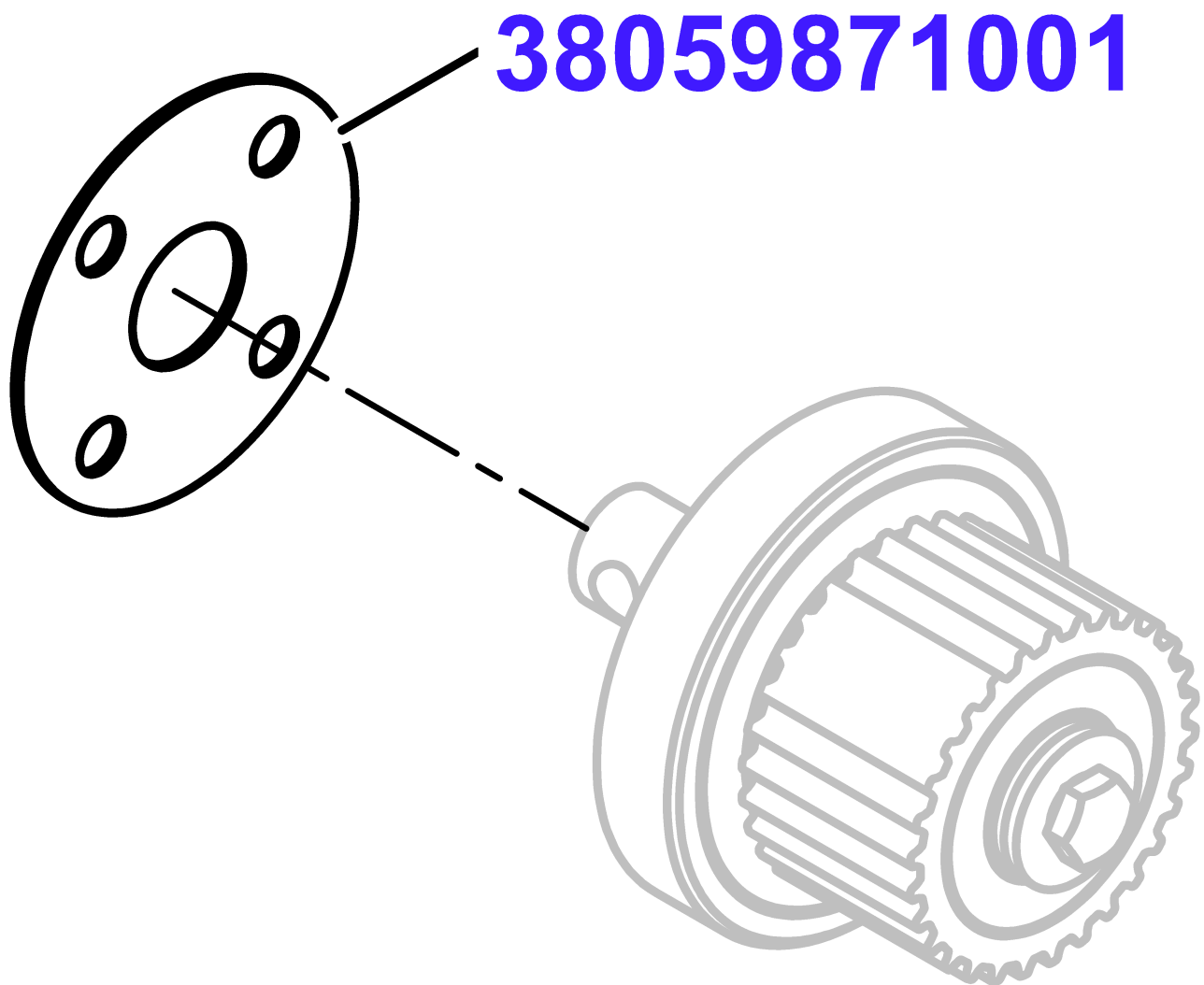
Carriage drive cpl



Carriage drive cpl

Material No.	Qty	Material description	available for order	Wear part	Recomm. sp. part	Metr. relevance
38050679005	1	Motor Long Carriage BG75x75	✓			
38069427002	1	Traverse	✓			
38069426002	1	flange	✓			
57743450000	3	Cylinder screw DIN912 M6x16-A2-70	✓			
95972950002	0,001	Loctite 243 50 ml	✓			
57442170000	3	Countersunk screw DIN7991 M6x20-A2-70	✓			
57743440000	4	Cylinder screw DIN912 M6x25-A2-70	✓			
57767060000	4	Spring lock washer DIN128-A6-FSt	✓			
56765060000	4	Washer DIN9021-6-A2	✓			
38134273000	1	Bearing housing cpl	✓		✓	
38105849000	4	Cap nut-M6 -1.4404	✓			
38054363001	1	Guide roller cpl	✓		✓	
57743450000	4	Cylinder screw DIN912 M6x16-A2-70	✓			
56765060000	4	Washer DIN9021-6-A2	✓			
38058121002	1	Bolt 15 x 25	✓			
57442120000	1	Countersunk screw DIN7991 M6x12-A2-70	✓			
57743470000	1	Cylinder screw DIN912 M6x40-A2-70	✓			
57767060000	1	Spring lock washer DIN128-A6-FSt	✓			
38105535000	1	Toothed belt 10 5x410	✓	✓	✓	
57743440000	2	Cylinder screw DIN912 M6x25-A2-70	✓			
38023711001	1	Toothed Belt STS 200 HP S5M 1000 NG	✓	✓	✓	

Guide roller cpl

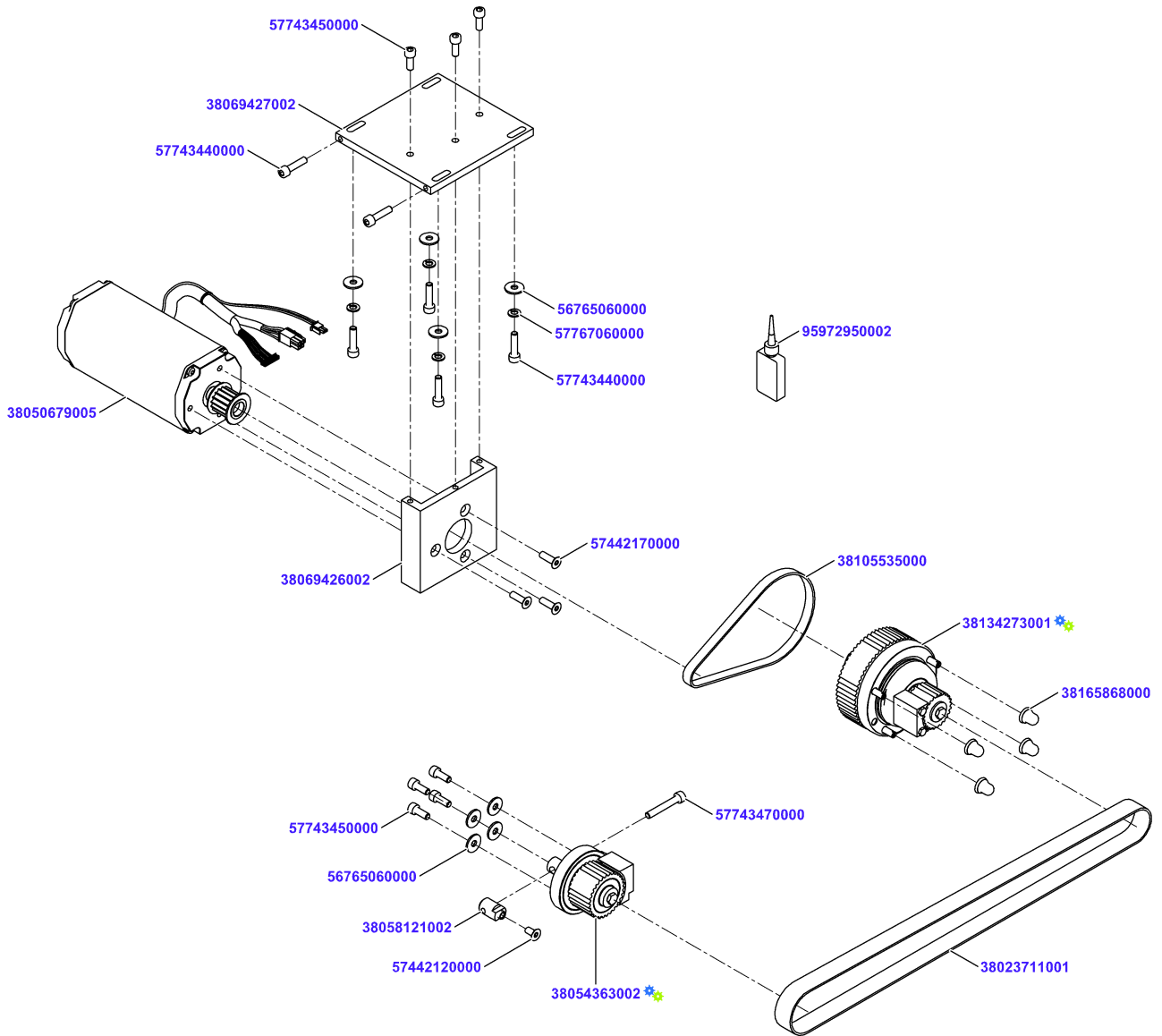


Guide roller cpl

available for order
Wear part
Recomm. sp. part
Metr. relevance

Material No.	Qty	Material description
38059871001	1	Gasket

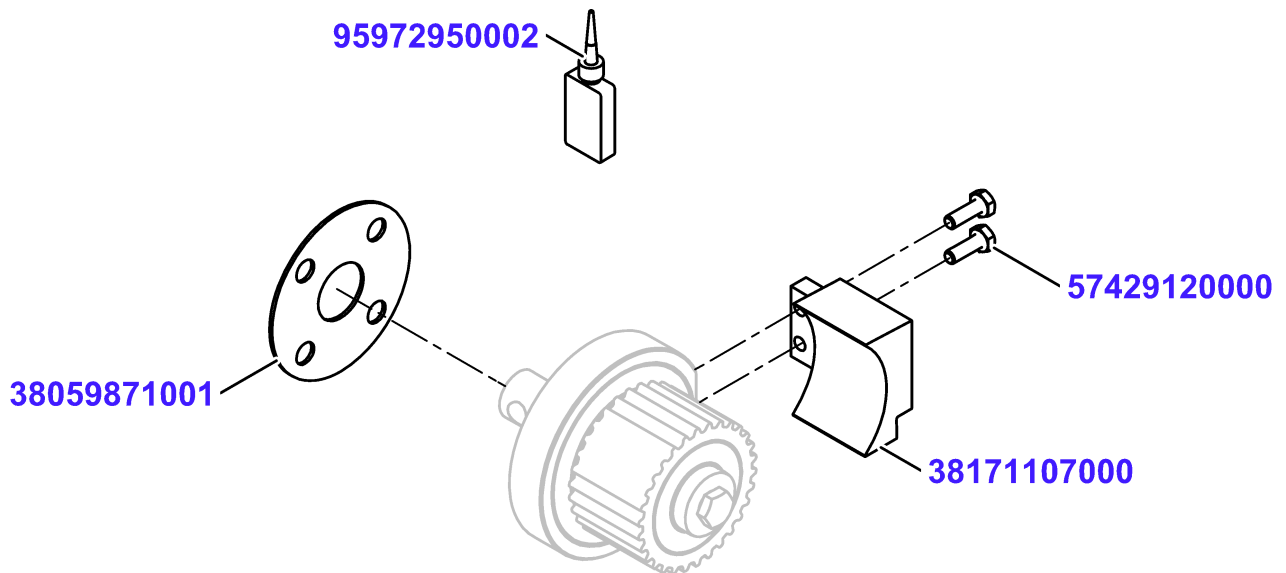
Carriage drive VSI cpl.







Carriage drive VSI cpl.

Material No.	Qty	Material description	available for order	Wear part	Recomm. sp. part	Metr. relevance
38050679005	1	Motor Long Carriage BG75x75	✓			
57743450000	3	Cylinder screw DIN912 M6x16-A2-70	✓			
95972950002	0,001	Loctite 243 50 ml	✓			
57442170000	3	Countersunk screw DIN7991 M6x20-A2-70	✓			
38165868000	4	Hygienic Cap Nut M6 with Precote 30-8	✓			
38054363002	1	Guide roller cpl	✓		✓	
38134273001	1	Bearing housing cpl	✓		✓	
57743440000	4	Cylinder screw DIN912 M6x25-A2-70	✓			
57767060000	4	Spring lock washer DIN128-A6-FSt	✓			
56765060000	4	Washer DIN9021-6-A2	✓			
38105535000	1	Toothed belt 10 5x410	✓	✓	✓	
38058121002	1	Bolt 15 x 25	✓			
57442120000	1	Countersunk screw DIN7991 M6x12-A2-70	✓			
57743470000	1	Cylinder screw DIN912 M6x40-A2-70	✓			
95972950002	0,001	Loctite 243 50 ml	✓			
38069426002	1	flange	✓			
38023711001	1	Toothed Belt STS 200 HP S5M 1000 NG	✓	✓	✓	
57743440000	2	Cylinder screw DIN912 M6x25-A2-70	✓			
57743450000	4	Cylinder screw DIN912 M6x16-A2-70	✓			
56765060000	4	Washer DIN9021-6-A2	✓			
38069427002	1	Traverse	✓			

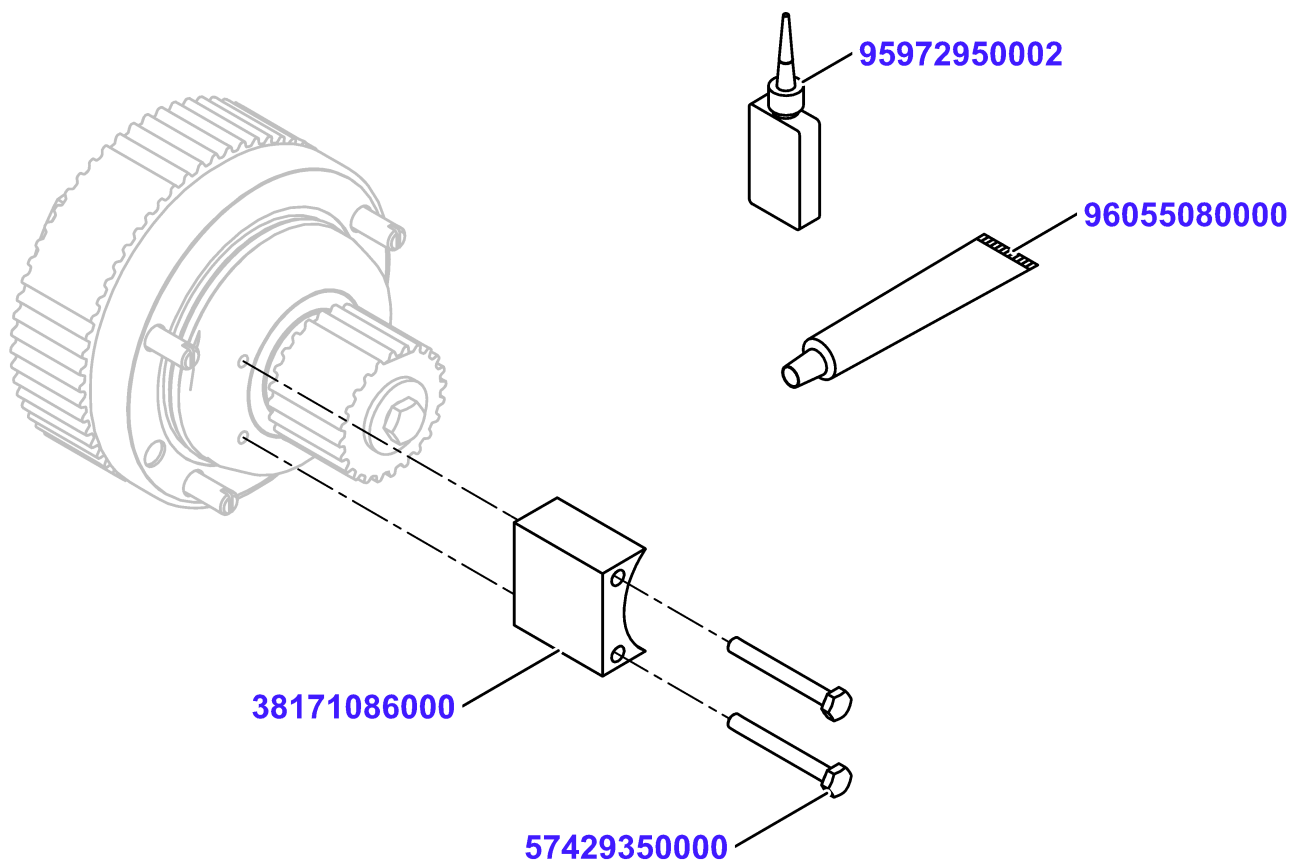
Guide roller cpl







Guide roller cpl

Material No.	Qty	Material description	available for order	Wear part	Recomm. sp. part	Metr. relevance
38059871001	1	Gasket				
57429120000	2	Hexagon screw DIN933 M4x12 A-70				
95972950002	1	Loctite 243 50 ml				
38171107000	1	Security block - Guide roller				

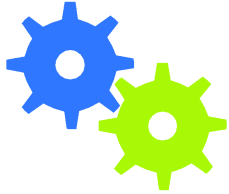
Bearing housing cpl



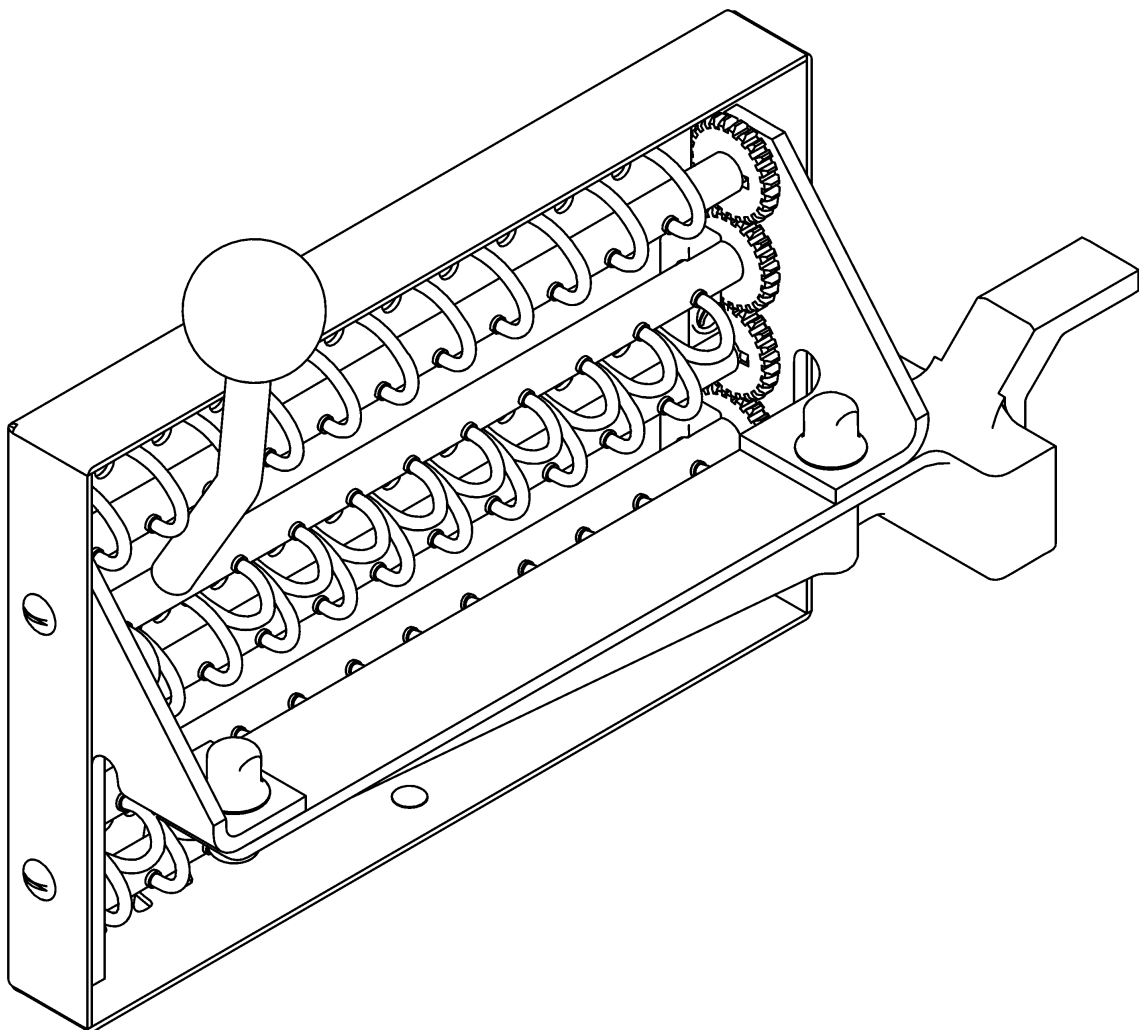
Bearing housing cpl

Material No.	Qty	Material description	available for order	Wear part	Recomm. sp. part	Metr. relevance
96055080000	0,001	Kluebersynth UH1 64-62/25kg				
57429350000	2	Hexagon screw DIN933 M4x35 A2-70				
95972950002	1	Loctite 243 50 ml				
38171086000	1	Security block - Drive roller				

Carriage



38083132001



Carriage

Material No.	Qty	Material description
38083132001	1	Product Holder cpl. VSI

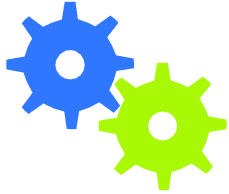
available for order

Wear part

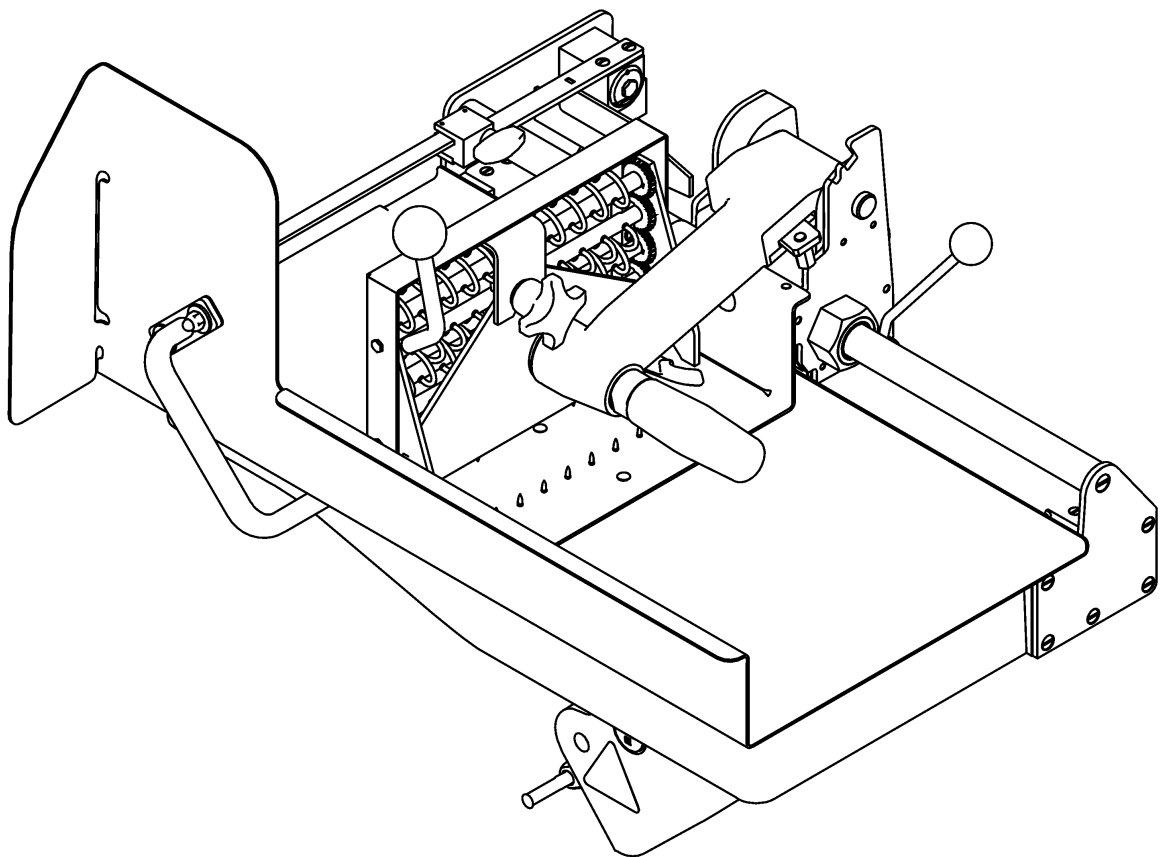
Recomm. sp. part

Metr. relevance

Carriage




38116888001

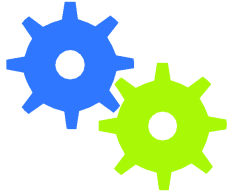


Carriage

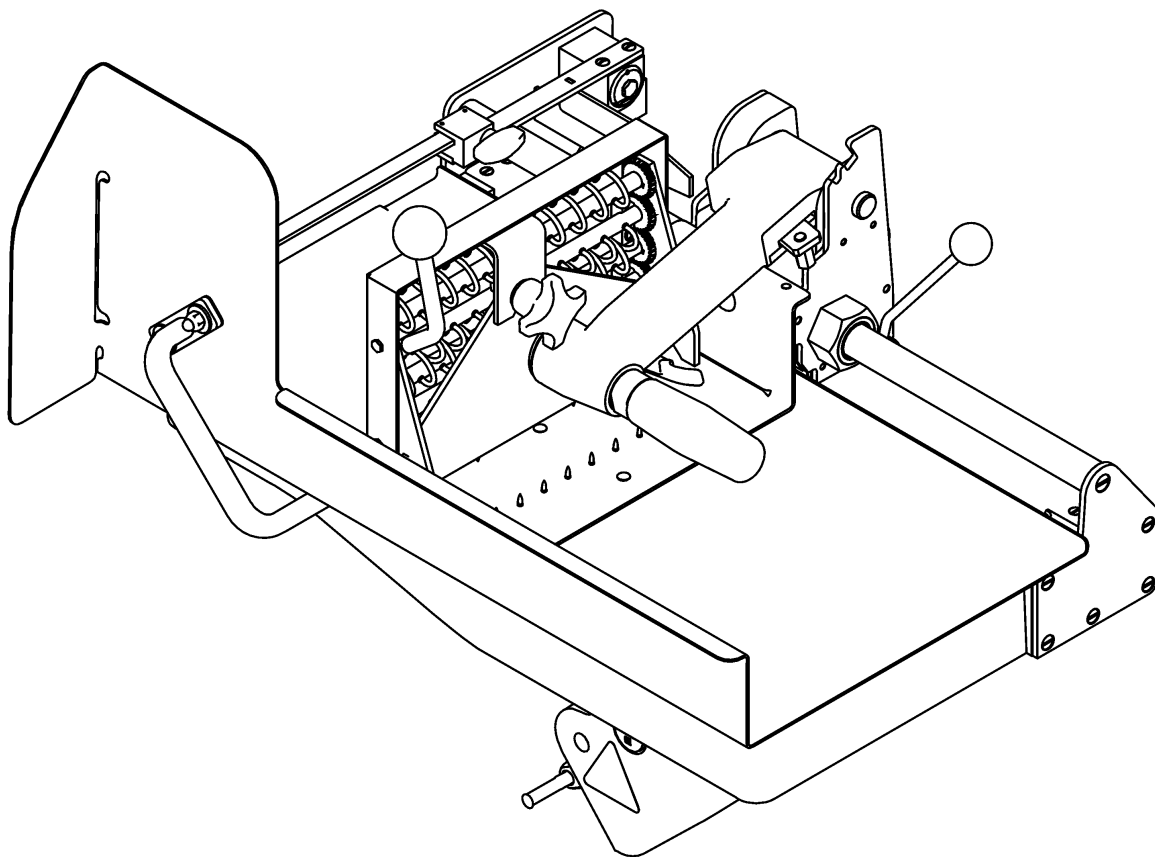
Material No.	Qty	Material description
38116888001	1	Carriage 400 with Peaks

	available for order
	Wear part
	Recomm. sp. part
	Metr. relevance

Carriage




38116888002

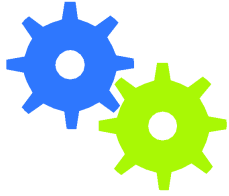


Carriage

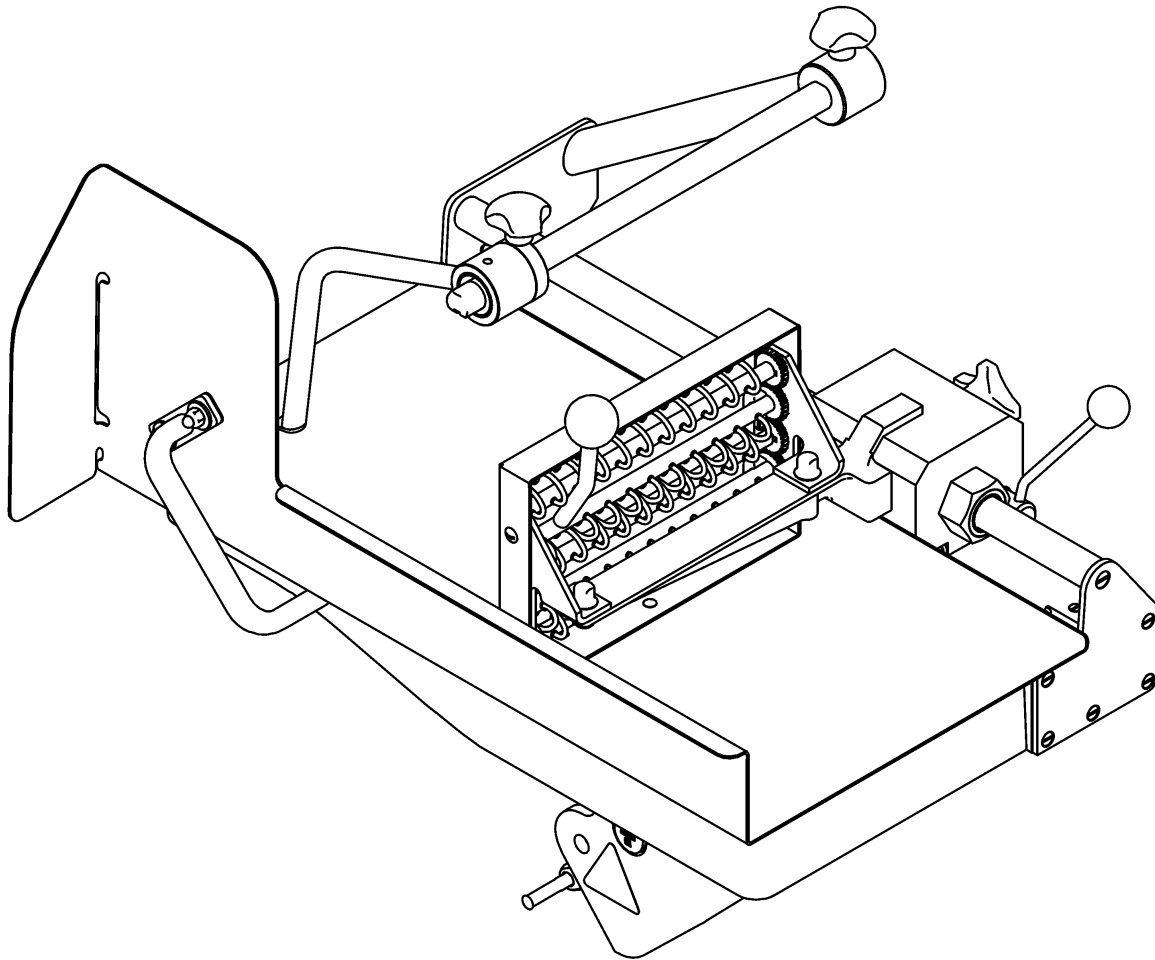
Material No.	Qty	Material description
38116888002	1	Clamping Carriage VSI 400

	available for order
	Wear part
	Recomm. sp. part
	Metr. relevance

Carriage



38116978001



Carriage

Material No.	Qty	Material description
38116978001	1	Carriage 400 NSF

available for order

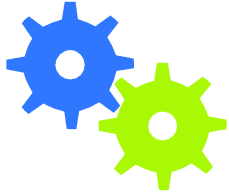
Wear part

Recomm. sp. part

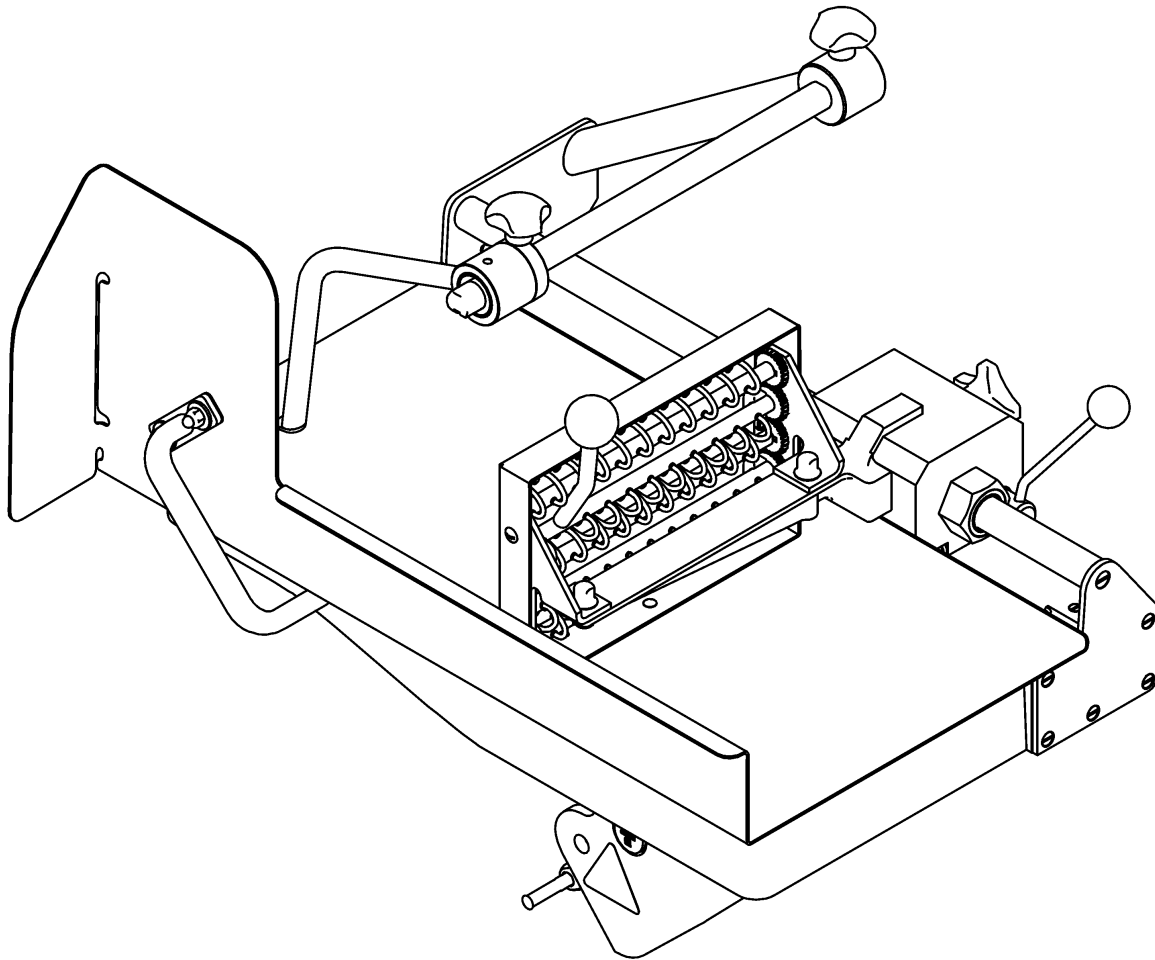
Metr. relevance



Carriage



38116978002



Carriage

Material No.	Qty	Material description
38116978002	1	Carriage VSI 400 NSF

available for order

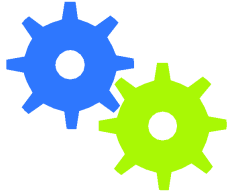
Wear part

Recomm. sp. part

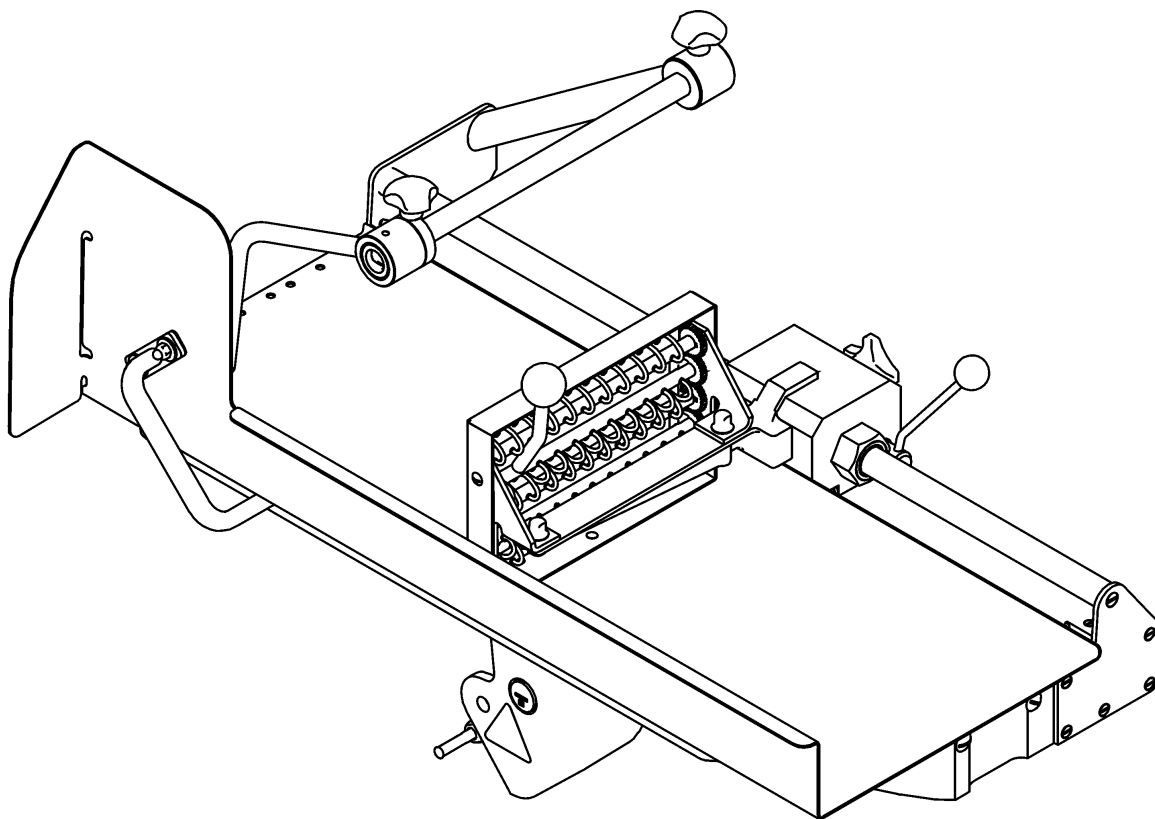
Metr. relevance




Carriage



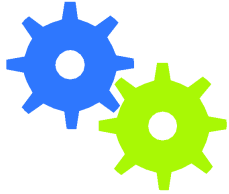
38117002002



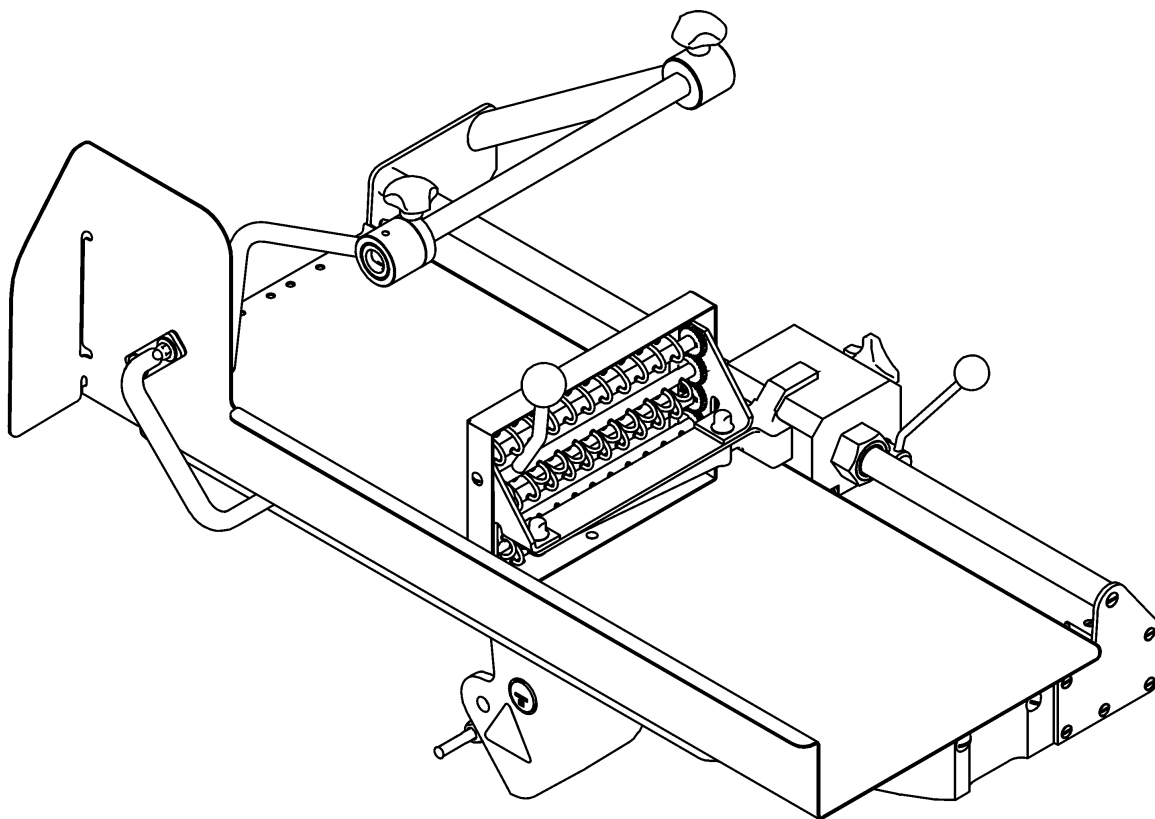
Carriage

Material No.	Qty	Material description	available for order	Wear part	Recomm. sp. part	Metr. relevance
38117002002	1	Carriage 600 NSF				

Carriage




38117002003

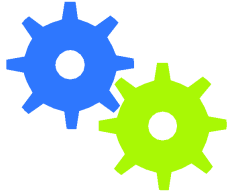


Carriage

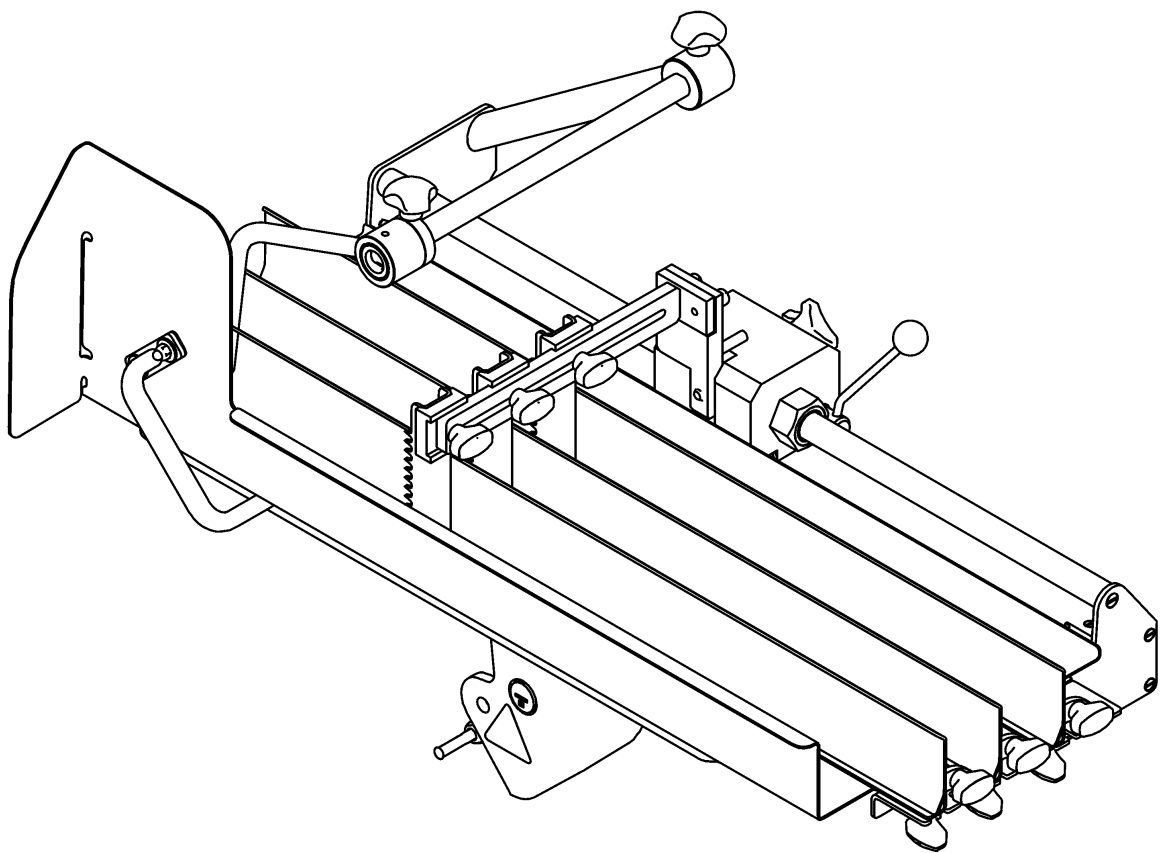
Material No.	Qty	Material description
38117002003	1	Carriage VSI 600 NSF

	available for order
	Wear part
	Recomm. sp. part
	Metr. relevance

Carriage




38117005001

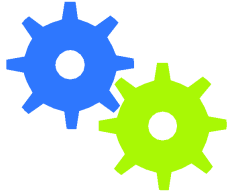


Carriage

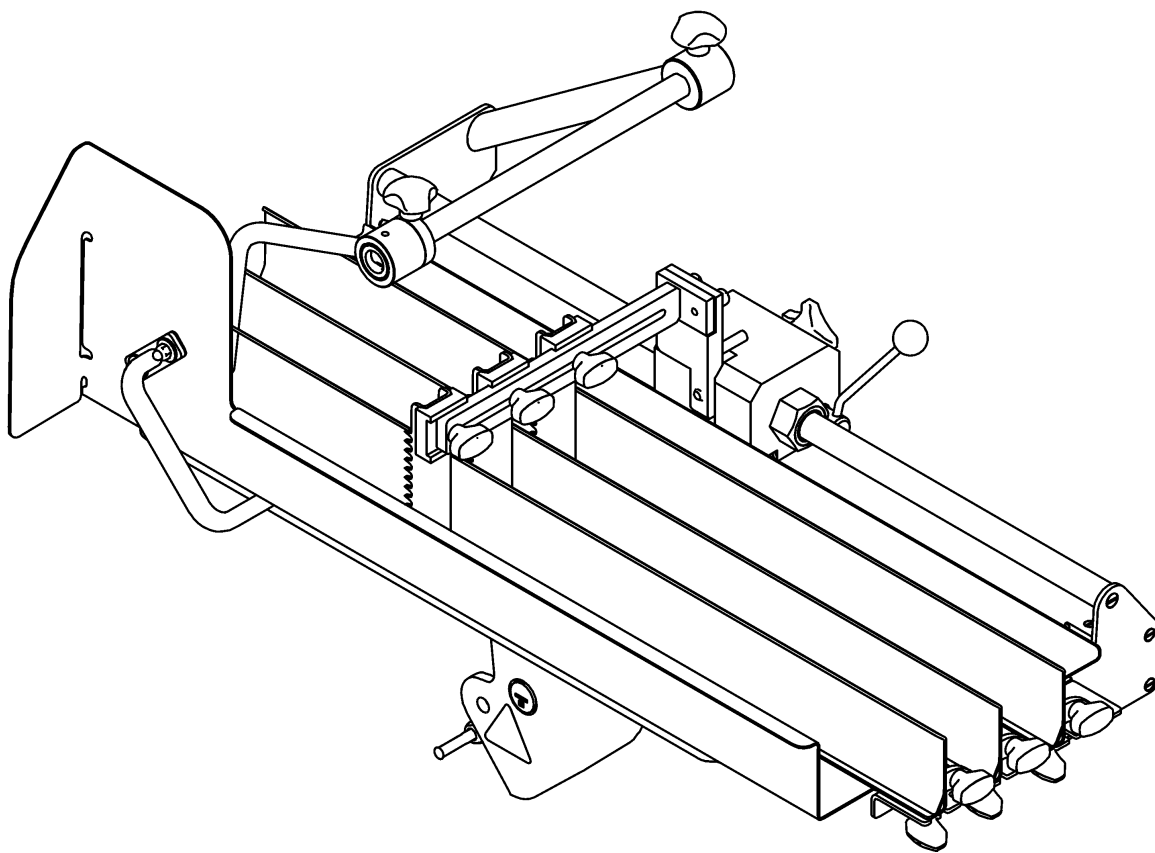
Material No.	Qty	Material description
38117005001	1	Carriage 600 template

	available for order
	Wear part
	Recomm. sp. part
	Metr. relevance

Carriage



38117005002

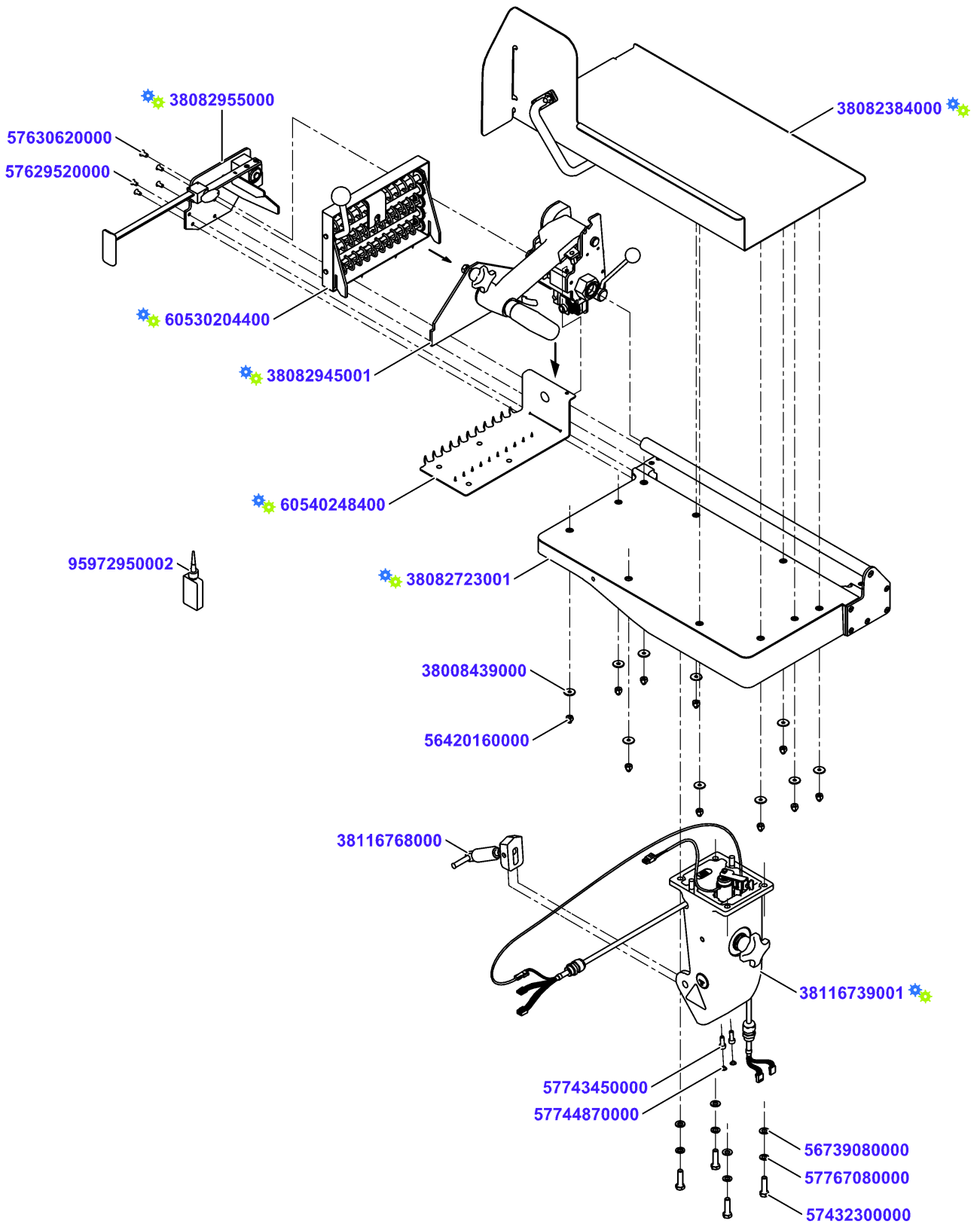


Carriage

available for order
Wear part
Recomm. sp. part
Metr. relevance

Material No.	Qty	Material description
38117005002	1	Carriage VSI 600 with guide ruler

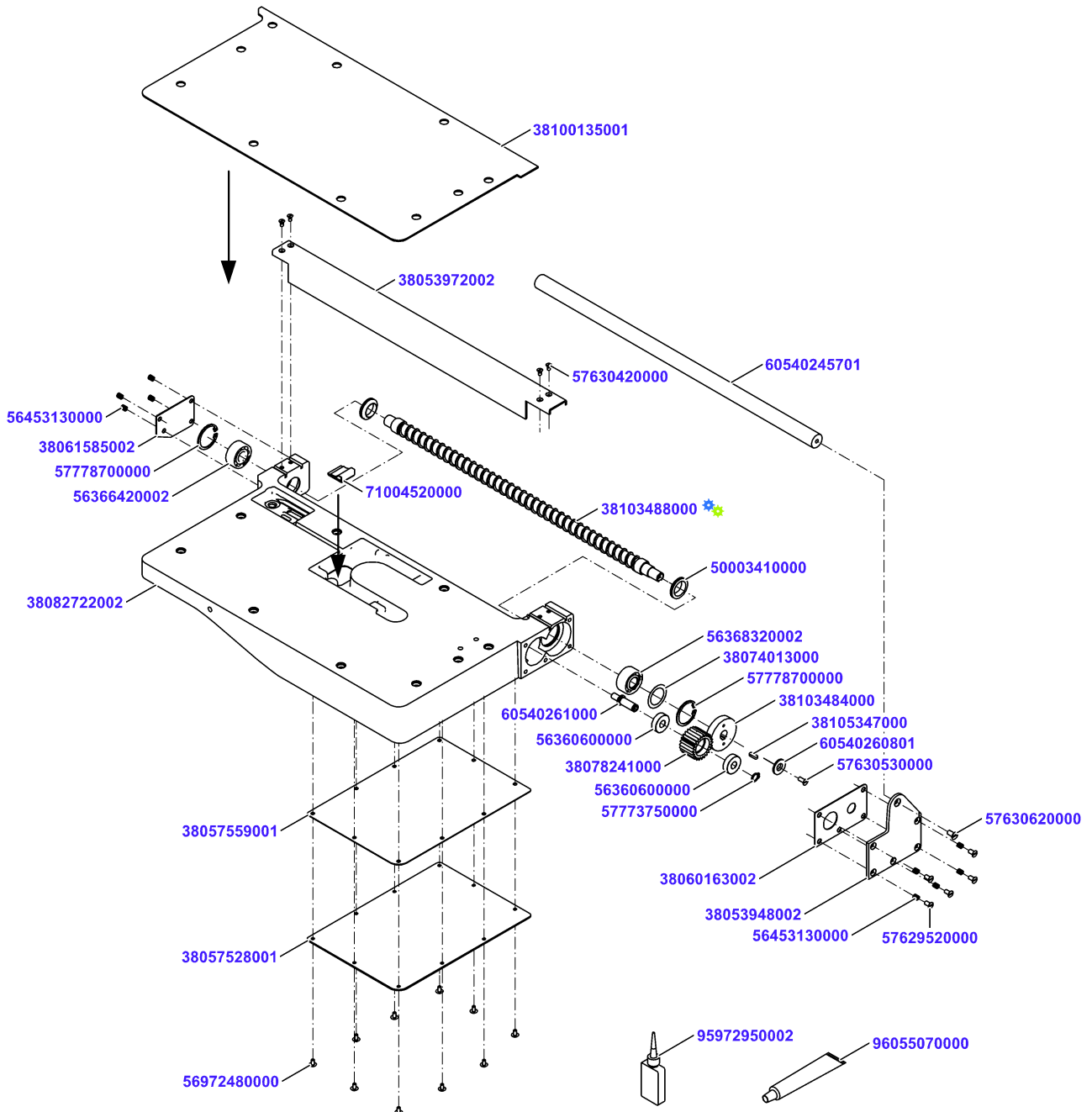
Carriage 400 with Peaks



Carriage 400 with Peaks

Material No.	Qty	Material description	available for order	Wear part	Recomm. sp. part	Metr. relevance
38082723001	1	Carriage 400 cpl				
38082384000	1	Carriage Plate 400 preass	✓			
56420160000	10	Cap nut DIN986-M6-A2	✓			
38008439000	10	Sealing washer M6	✓		✓	
38082955000	1	Product Supporter horizontal cpl	✓			
57629520000	4	Countersunk screw DIN963 M5x10-A2-70	✓			
57630620000	1	Countersunk screw DIN963 M6x12-A2-70	✓			
38116739001	1	Carriage Foot low cpl.	✓			
57432300000	4	Hexagon screw DIN933 M8x30 A2-70	✓			
57767080000	4	Spring lock washer DIN128-A8-A2	✓			
56739080000	4	Washer DIN125-A-8-A2	✓			
38116768000	1	Gas pressure spring carriage 400 cpl	✓		✓	
57743450000	2	Cylinder screw DIN912 M6x16-A2-70	✓			
95972950002	0,001	Loctite 243 50 ml	✓			
57744870000	2	Protective plug 10x5,2x3,1-PE	✓		✓	
38082945001	1	Product Holder folding upwards preass.	✓			
60530204400	1	Product holder ass.	✓			
60540248400	1	product supporting plate ass.	✓			

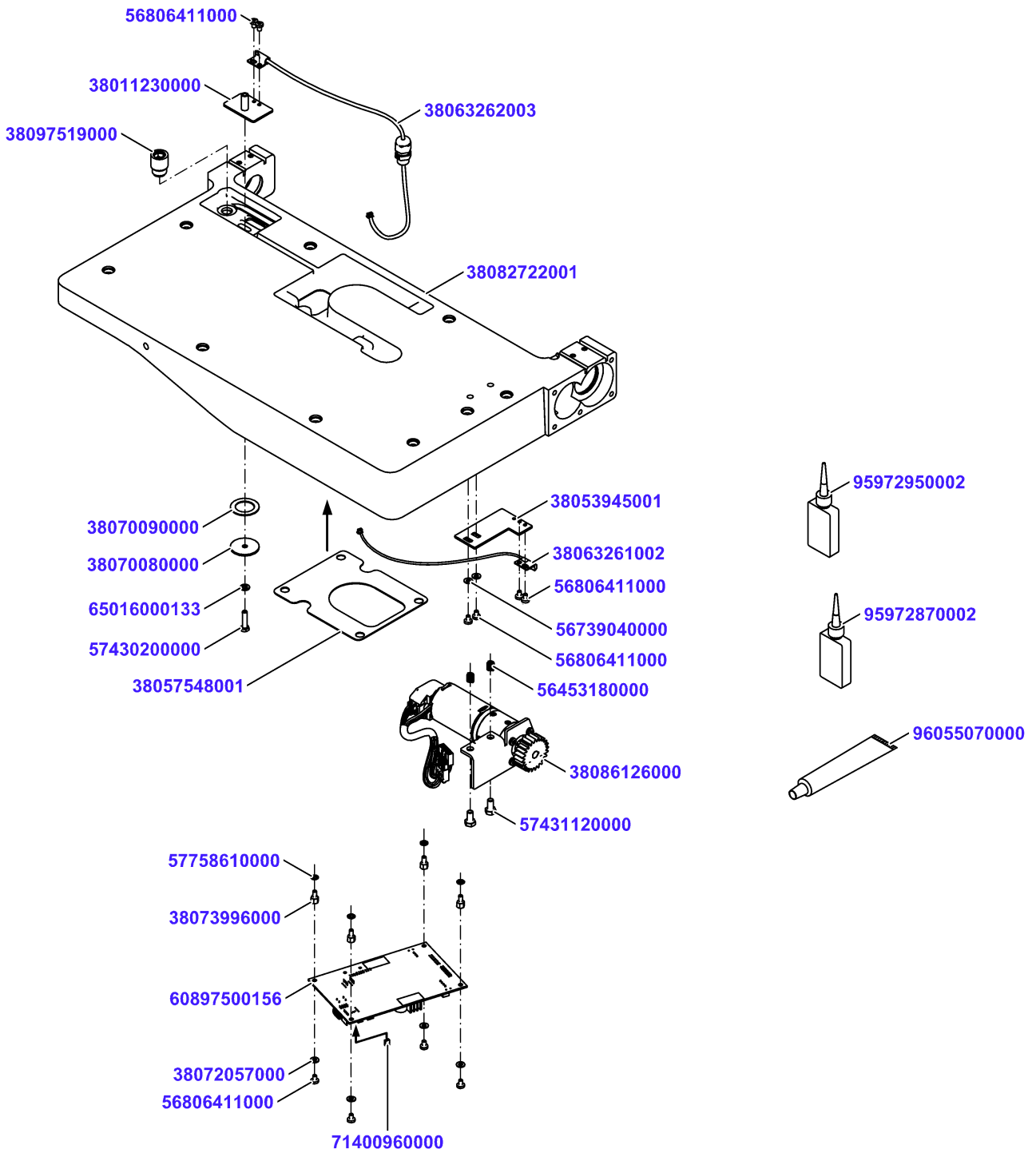
Carriage 400 cpl



Carriage 400 cpl

Material No.	Qty	Material description	available for order	Wear part	Recomm. sp. part	Metr. relevance
38082722002	1	Carriage 400 Cast machined	✓			
56453130000	9	Thread insert M5x7,5-A2	✓			
56366420002	1	Self-Aligning Ball Bearing 2202	✓			
57778700000	1	Retaining ring DIN472-35x1,5	✓			
50003410000	1	Wiper ring 30x20x7	✓			
38103488000	1	feed spindle ass.	✓			
50003410000	1	Wiper ring 30x20x7	✓			
56368320002	1	Angular bearing double-row 15x35x15,9	✓			
57778700000	1	Retaining ring DIN472-35x1,5	✓			
38074013000	1	Shim ring DIN988-25x35x0,1	✓			
38103484000	1	Gear Wheel	✓			
96055070000	0,001	Grease PARALIQ GA 343	✓			
38105347000	1	Parallel key DIN6885-A 5x3x14	✓			
60540260801	1	Washer	✓			
57630530000	1	Countersunk screw DIN963 M5x12-A2-70	✓			
95972950002	0,001	Loctite 243 50 ml	✓			
60540261000	1	bolt	✓			
38078241000	1	Gear Wheel	✓			
56360600000	2	Grooved ball bearing DIN625 10x26x8	✓			
57773750000	1	Retaining ring DIN471-10x1	✓			
38053972002	1	Guide Rail 400er	✓			
57630420000	4	Countersunk screw DIN963 M4x8-A2-70	✓			
71004520000	1	Flat Cabel Holder 3484-1000	✓			
38053948002	1	Flange	✓			
38060163002	1	Sealing	✓		✓	
57629520000	5	Countersunk screw DIN963 M5x10-A2-70	✓			
38061585002	1	sealing	✓		✓	
60540245701	1	guide shaft	✓			
57630620000	1	Countersunk screw DIN963 M6x12-A2-70	✓			
38100135001	1	Flat Seal Carriage Plate 400	✓		✓	
38057528001	1	Cover 255,4x177,4x2	✓			
38057559001	1	Seal Cover	✓		✓	
56972480000	10	Mushroom head screw M4x8-A2-70 Tuflok	✓			

Carriage 400 cpl




Carriage 400 cpl

Material No.	Qty	Material description	available for order	Wear part	Recomm. sp. part	Metr. relevance
56453180000	2	Threaded insert M6x9	✓			
96055070000	0,001	Grease PARALIQ GA 343	✓			
95972950002	0,001	Loctite 243 50 ml	✓			
38053945001	1	Board	✓			
38063261002	1	Sensor product feeding 1 VSI	✓			
56806411000	4	Oval-head screw ISO14583 M4x6-A2-70-T20	✓			
56739040000	2	Washer DIN125-A 4.3-A2-70	✓			
38011230000	1	Board cpl	✓			
38063262003	1	Sensor product feeding 2 VSI	✓			
56806411000	2	Oval-head screw ISO14583 M4x6-A2-70-T20	✓			
38070080000	1	Washer	✓			
38070090000	1	Sealing	✓		✓	
57430200000	1	Hexagon screw DIN933 M5x20 A2-70	✓			
65016000133	1	Washer 5-PA	✓			
38097519000	1	Sleeve 18 x 10 x 24.25	✓			
95972870002	0,001	Loctite 638	✓			
38086126000	1	Motor Product Feeding BG42x15 cpl	✓			
57431120000	2	Hexagon screw DIN933 M6x12 A2-70	✓			
71400960000	1	Short Circuit Bracket 3131 731000406	✓		✓	
57758610000	4	Toothed washer DIN6797-A 4,3-Fst	✓			
38073996000	4	Distance bolt SW7x6 M4-M4 In-Out	✓			
56806411000	4	Oval-head screw ISO14583 M4x6-A2-70-T20	✓			
38072057000	4	Washer DIN125-A-4-PA6	✓			
38057548001	1	Seal	✓		✓	

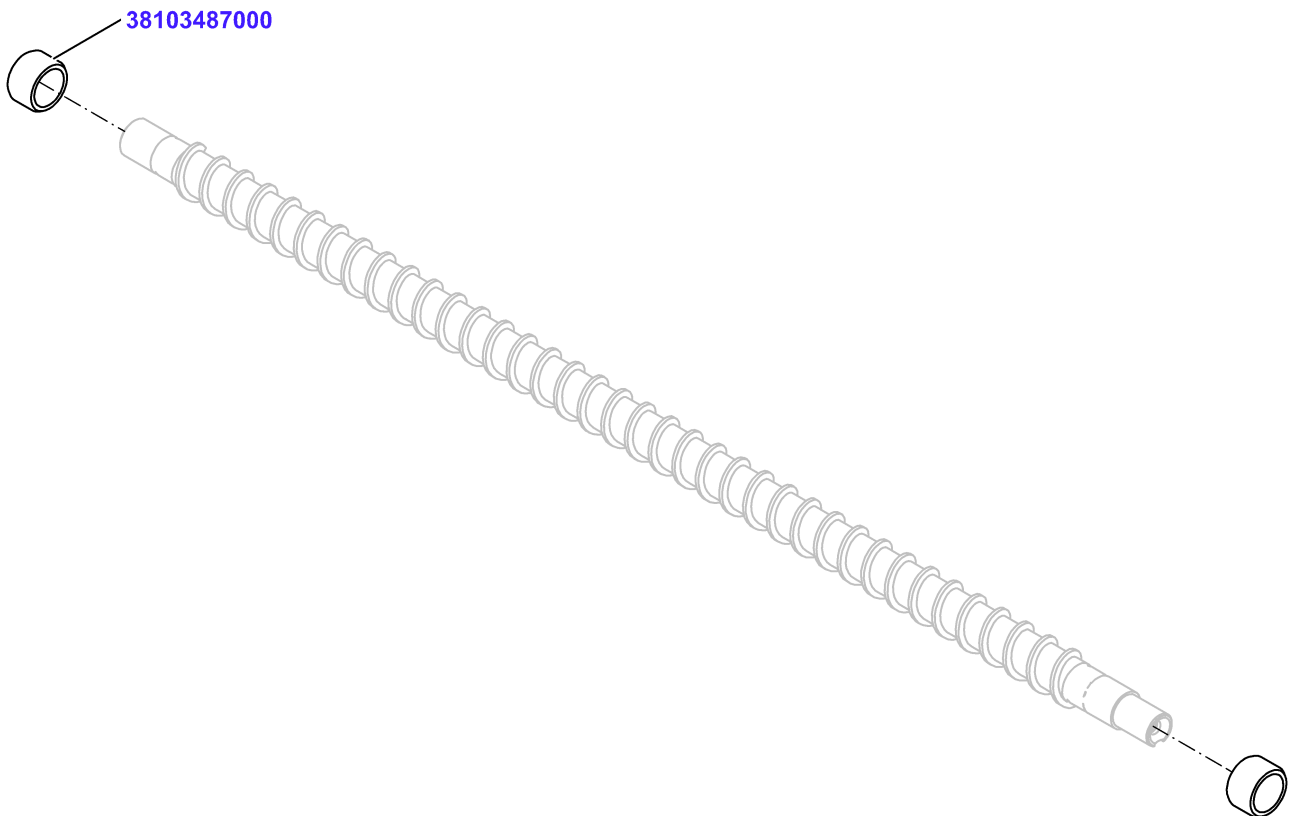
Carriage 400 cpl

Carriage 400 cpl

Material No.	Qty	Material description
60897500157	1	PCBAP MC 3ph 2ch lv bus


	available for order
	Wear part
	Recomm. sp. part
	Metr. relevance

feed spindle ass.

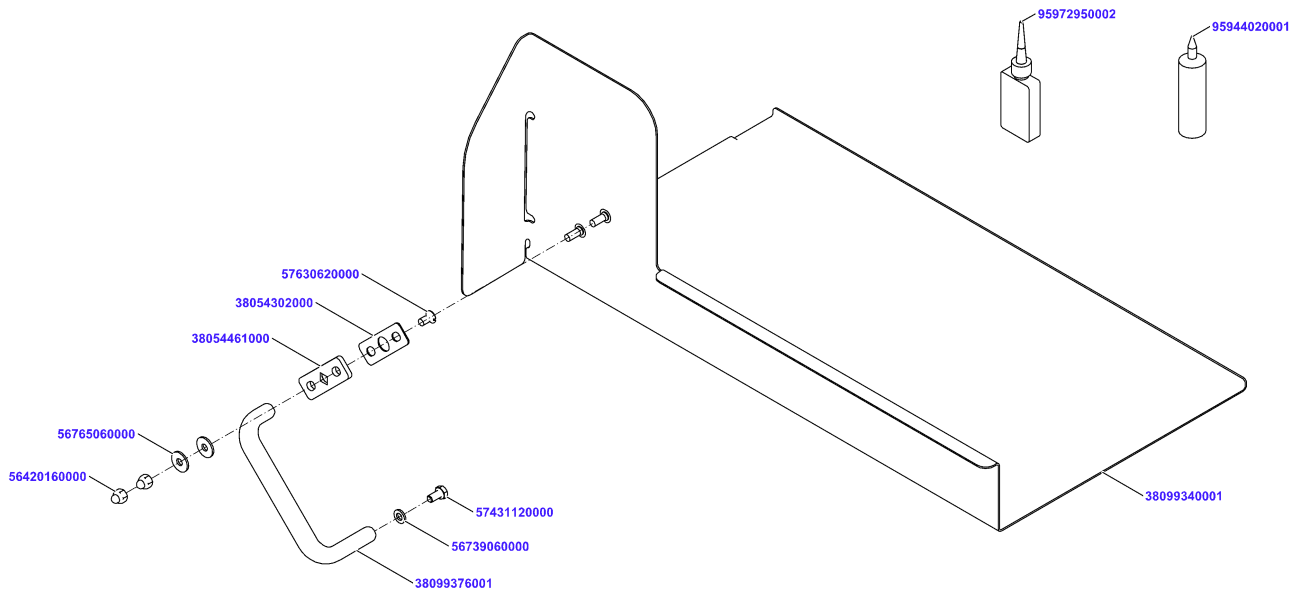


feed spindle ass.

Material No.	Qty	Material description
38103487000	2	Ring

	available for order	Wear part	Recomm. sp. part	Metr. relevance
---	---------------------	-----------	------------------	-----------------

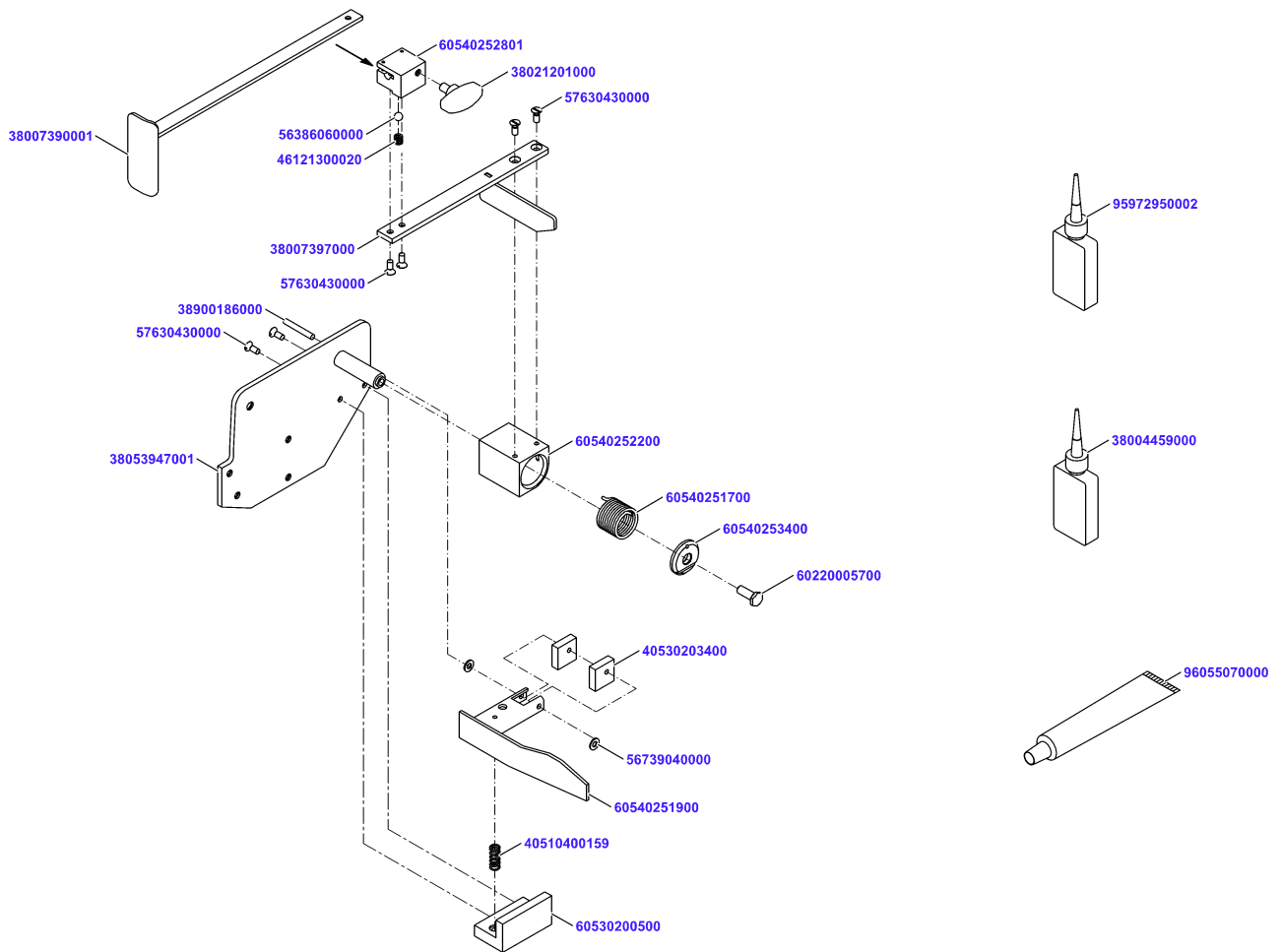
Carriage Plate 400 preass



Carriage Plate 400 preass

Material No.	Qty	Material description	available for order	Wear part	Recomm. sp. part	Metr. relevance
38099340001	1	Carriage Plate welded	✓			
38099376001	1	Handle	✓			
38054461000	1	Plate	✓			
38054302000	1	Gasket	✓		✓	
95944020001	10	Silicone Rubber Elastosil E41 90ml	✓			
57630620000	1	Countersunk screw DIN963 M6x12-A2-70	✓			
95972950002	0,001	Loctite 243 50 ml	✓			
56420160000	2	Cap nut DIN986-M6-A2	✓			
56765060000	2	Washer DIN9021-6-A2	✓			
57431120000	1	Hexagon screw DIN933 M6x12 A2-70	✓			
56739060000	1	Washer DIN125-A-6-A2	✓			

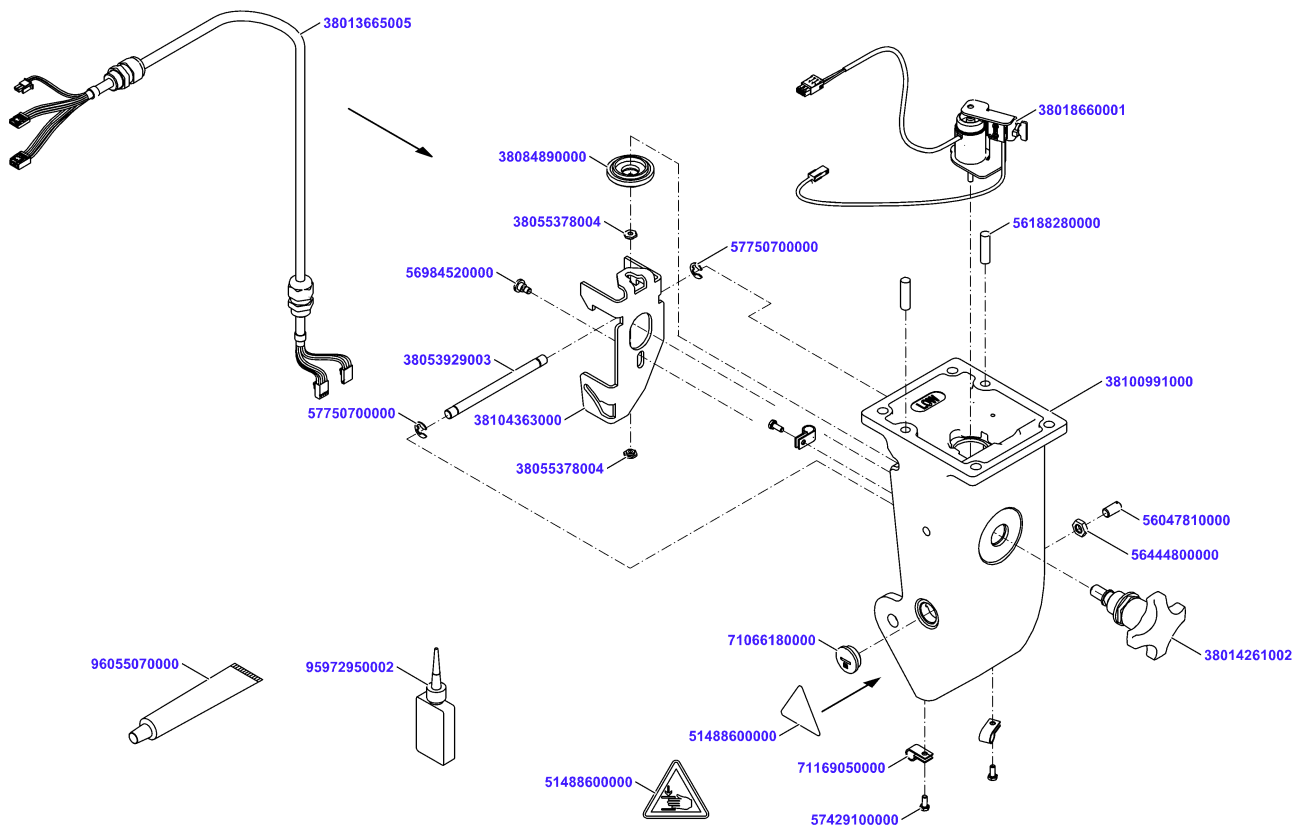
Product Supporter horizontal cpl



Product Supporter horizontal cpl

Material No.	Qty	Material description	available for order	Wear part	Recomm. sp. part	Metr. relevance
38053947001	1	Mounting with Shaft	✓			
60540251900	1	Lever welde. compl.	✓			
40530203400	2	buffer	✓			
38900186000	1	Cylindrical pin DIN7-4m6x28-A2	✓			
56739040000	2	Washer DIN125-A 4.3-A2-70	✓			
40510400159	1	pressure spring	✓			
60530200500	1	supporting angle	✓			
57630430000	6	Countersunk screw DIN963 M4x10-A2-70	✓			
95972950002	0,001	Loctite 243 50 ml	✓			
60540252200	1	hub preass.	✓			
60540251700	1	spring	✓			
96055070000	0,005	Grease PARALIQ GA 343	✓			
60540253400	1	tightening disk	✓			
60220005700	1	hexagon screw oval-head M 6x16	✓			
38004459000	0,001	Loctite 648	✓			
38007397000	1	Cantilever welded	✓			
60540252801	1	take up device preassembled	✓			
56386060000	1	Ball DIN5401 6-1.4034	✓			
46121300020	1	PRESSURE SPRING 6121300020	✓			
38021201000	1	Wing screw M6x10-1.4308	✓			
38007390001	1	Holder welded	✓			

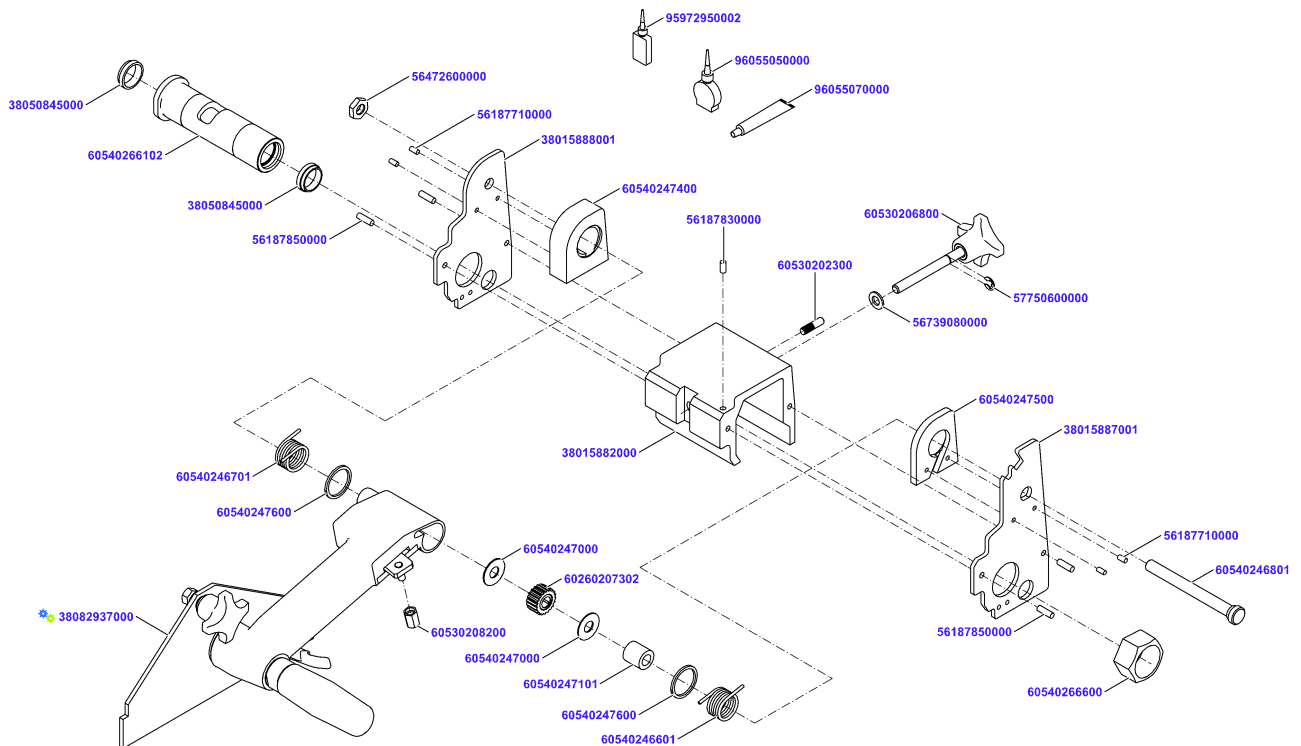
Carriage Foot low cpl.



Carriage Foot low cpl.

Material No.	Qty	Material description	available for order	Wear part	Recomm. sp. part	Metr. relevance
38100991000	1	Carriage Foot low hygienic mach	✓			
56188280000	2	Cylindrical pin EN 22338-8m6x28-A2	✓			
56047810000	1	Set screw DIN551 M8x16-PA 66	✓			
56444800000	1	Hexagon nut DIN439-M8-A2	✓			
38018660001	1	Magnet preass	✓	✓		
38084890000	1	Cap preass	✓			
38055378004	2	Hexagon nut	✓			
95972950002	0,001	Loctite 243 50 ml	✓			
38104363000	1	Interlock	✓			
96055070000	0,001	Grease PARALIQ GA 343	✓			
56984520000	1	Pan head screw DIN923 M5x4A2-70	✓			
71066180000	1	Blind plug BLK- M20	✓			
38014261002	1	Handle preass.	✓			
38053929003	1	Stop Bolt	✓			
57750700000	2	Retaining washer DIN6799-7	✓			
71169050000	3	Cable Clamp nylon 7,4mm NK-5N	✓			
38013665005	1	Ka Rd 12x24AWG 0,87m	✓			
57429100000	3	Hexagon screw DIN933 M4x10 A2-70	✓			
51488600000	1	Warning Plate Hand Injury 7.29K	✓			

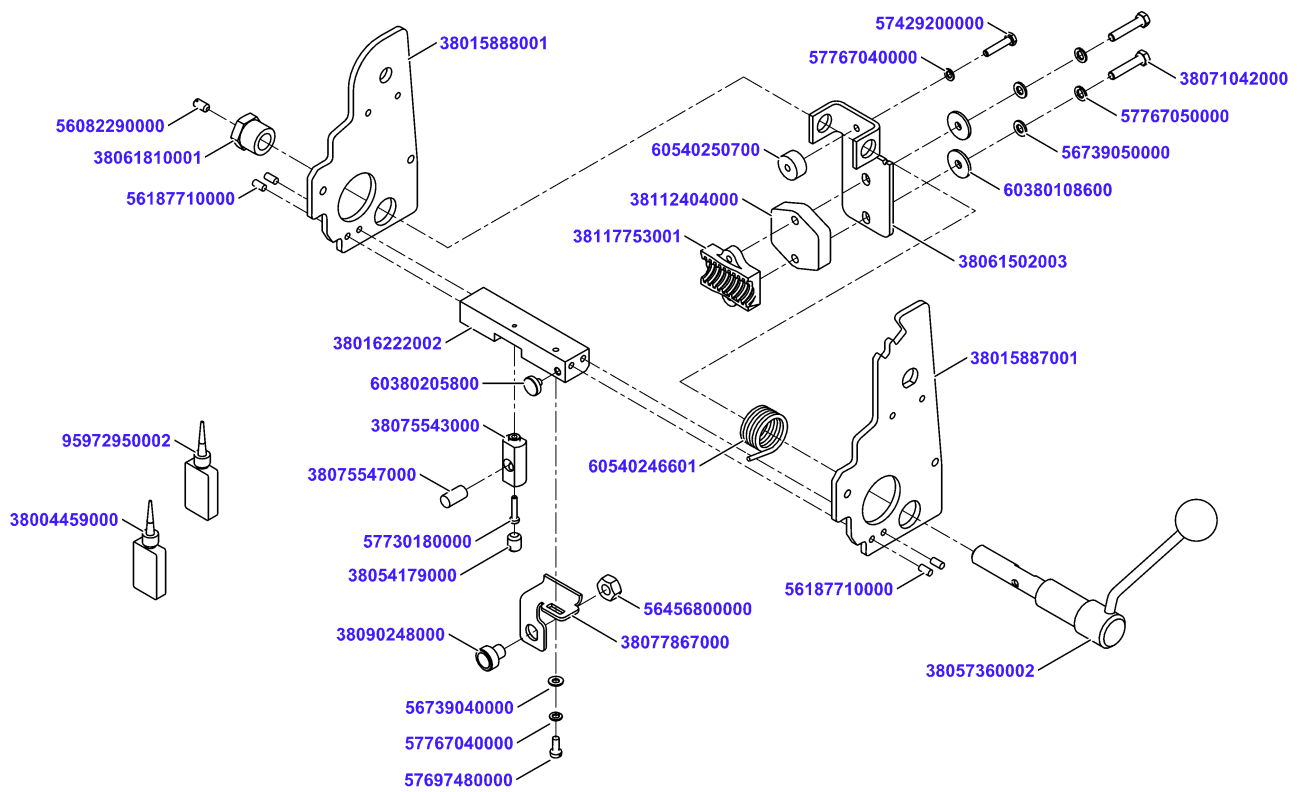
Product Holder folding upwards preass.



Product Holder folding upwards preass.

Material No.	Qty	Material description	available for order	Wear part	Recomm. sp. part	Metr. relevance
38015882000	1	Product Holder Guide	✓			
56187830000	1	Cylindrical pin EN 22338-5m6x10-A2	✓			
60530202300	1	PIN	✓			
60530206800	1	locking handle assembled	✓			
56739080000	1	Washer DIN125-A-8-A2	✓			
57750600000	1	Retaining washer DIN6799-6	✓			
38015887001	1	Side Cover left	✓			
38015888001	1	Side Cover right	✓			
60540266102	1	Bushing complete	✓	✓		
38050845000	2	Deflector Ring	✓			
60540266600	1	hex nut	✓			
56187850000	4	Cylindrical pin EN 22338-5m6x16-A2	✓			
60540246601	1	Torsion spring left	✓			
95972950002	0,001	Loctite 243 50 ml	✓			
56187710000	4	Cylindrical pin EN 22338-4m6x8-A2	✓			
38082937000	1	Lever compl for the Product Holder	✓			
60540247000	2	washer	✓			
60540246801	1	Shaft	✓			
56472600000	1	Hexagon nut DIN439-M10x1-A2-70	✓			
60530208200	1	cap nut	✓			
60540246601	1	Torsion spring left	✓			
60540246701	1	Torsion spring right	✓			
60540247101	1	spacer bushing	✓			
60540247400	1	counter bearing	✓			
60540247500	1	counter bearing	✓			
60540247600	2	washer	✓			
60260207302	1	Control Gear	✓			
56187710000	4	Cylindrical pin EN 22338-4m6x8-A2	✓			
96055070000	0,001	Grease PARALIQ GA 343	✓			
96055050000	0,001	Lubricating Oil F.L.5 Oil UH1	✓			

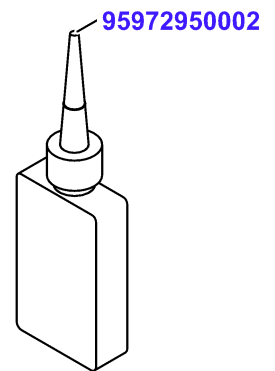
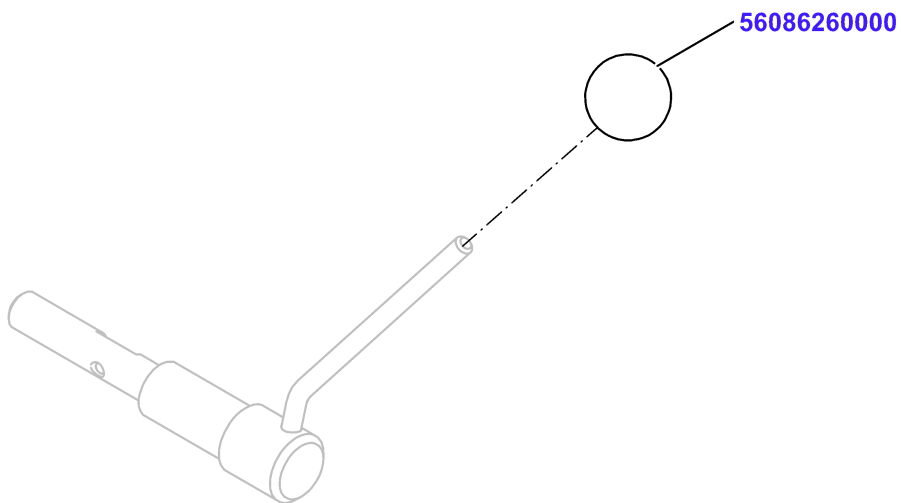
Product Holder folding upwards preass.



Product Holder folding upwards preass.

Material No.	Qty	Material description	available for order	Wear part	Recomm. sp. part	Metr. relevance
38015887001	1	Side Cover left	✓			
38015888001	1	Side Cover right	✓			
38057360002	1	Bolt cpl	✓			
38061502003	1	Holder	✓			
60540246601	1	Torsion spring left	✓			
60540250700	1	actuator	✓			
57767040000	1	Spring lock washer DIN128-A4-FSt	✓			
57429200000	1	Hexagon screw DIN933 M4x20 A2-70	✓			
38071042000	2	Hexagon screw DIN933 M5x25 A2-70	✓			
57767050000	2	Spring lock washer DIN128-A5-FSt	✓			
56739050000	2	Washer DIN125-A-5-A2	✓			
60380108600	2	Washer	✓			
38112404000	1	Spacer plate 40x40x10	✓			
38117753001	1	Nut Plate TR20X12P4	✓	✓		
95972950002	0,001	Loctite 243 50 ml	✓			
38061810001	1	Screw Nut	✓			
38004459000	0,001	Loctite 648	✓			
56082290000	1	Set screw DIN438 M5x10-A2-70	✓			
38016222002	1	Bar	✓			
60380205800	1	SLIDE PIN	✓			
56187710000	4	Cylindrical pin EN 22338-4m6x8-A2	✓			
38077867000	1	Magnet Base	✓			
38090248000	1	Magnet Vacodym 370 wz round 10x4 preass	✓		✓	
56456800000	1	Hexagon nut DIN934-M8-A2	✓			
57697480000	1	Cylinder screw DIN84 M4x10-A2-70	✓			
56739040000	1	Washer DIN125-A 4.3-A2-70	✓			
57767040000	1	Spring lock washer DIN128-A4-FSt	✓			
60540246601	1	Torsion spring left	✓			
56187710000	4	Cylindrical pin EN 22338-4m6x8-A2	✓			
38075543000	1	Mounting Pin	✓			
57730180000	1	Oval-head screw ISO14583 M3x16-A2-70-T10	✓			
38075547000	1	Parallel Pin 8x15	✓			
38054179000	1	Set screw DIN438 M8x10-A2-70	✓			

Bolt cpl

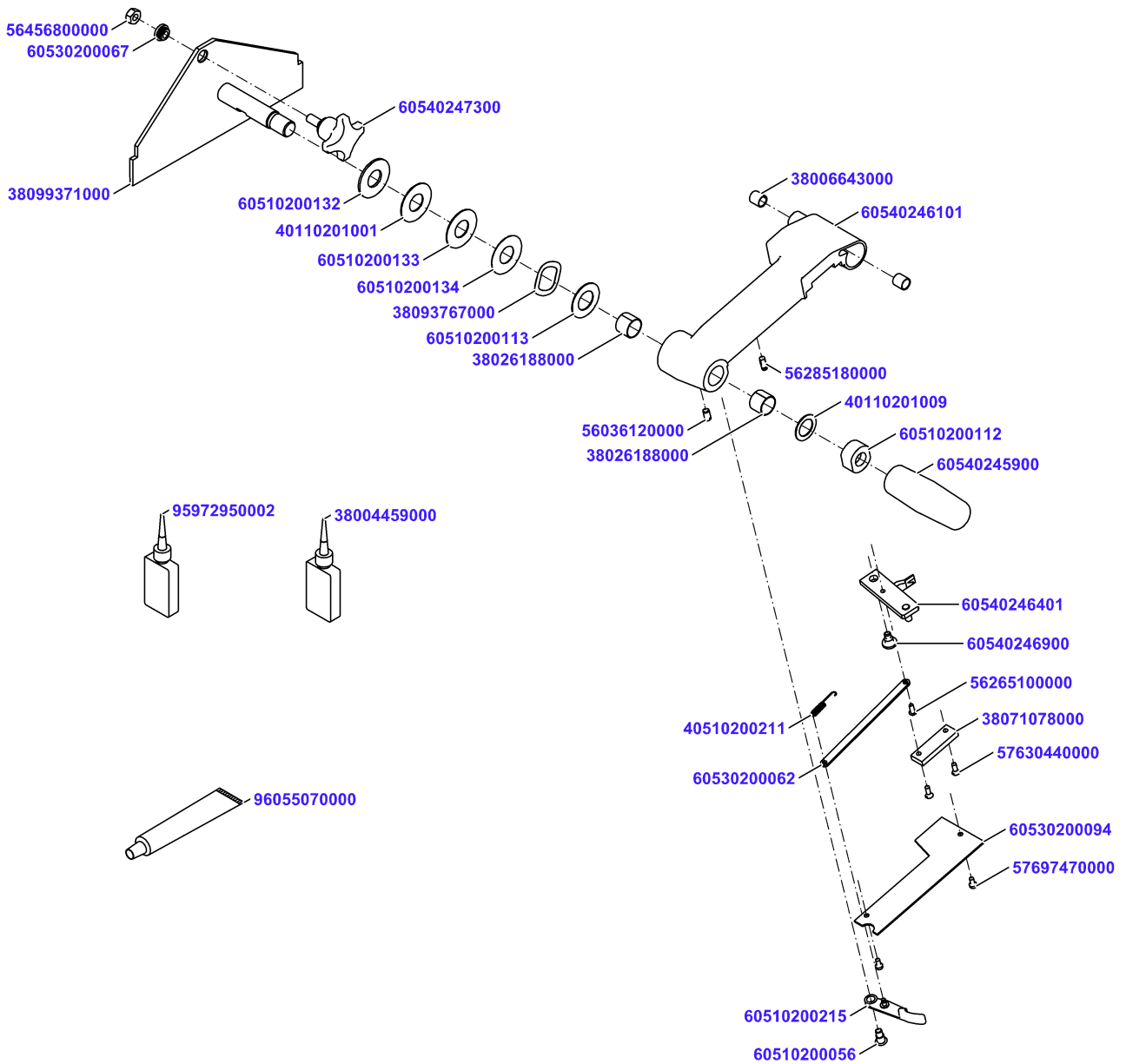


Bolt cpl

Material No.	Qty	Material description
56086260000	1	Ball knob DIN319 M6x25 I
95972950002	0,001	Loctite 243 50 ml

available for order
Wear part
Recomm. sp. part
Metr. relevance

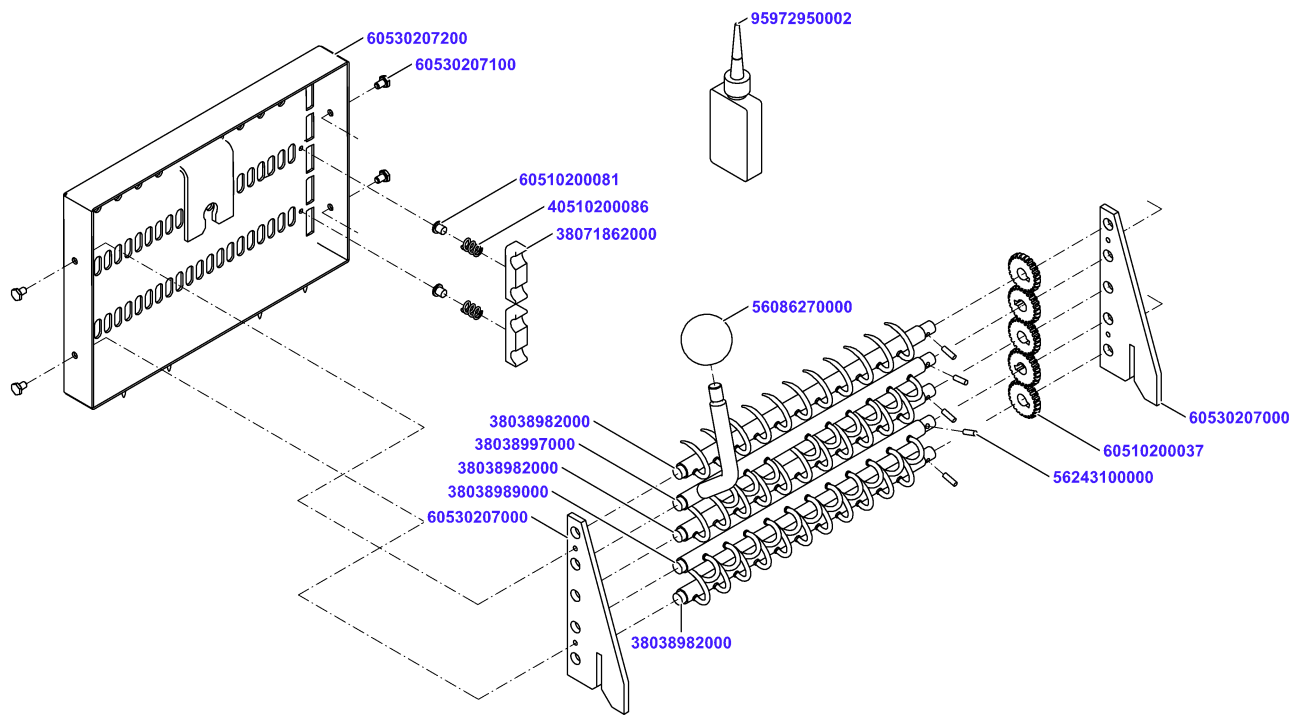
Lever compl for the Product Holder
















Lever compl for the Product Holder

Material No.	Qty	Material description	available for order	Wear part	Recomm. sp. part	Metr. relevance
38132202000	1	Lever with pin				
96055070000	0,001	Grease PARALIQ GA 343				
56739060000	1	Washer DIN125-A-6-A2				
38026188000	2	Plain bearing 18x20x15				
38006643000	2	Plain bearing 10x12x12				
56285180000	1	Grooved Pin DIN 1469-C5x14-6.8				
40510200211	1	tension spring				
60540246401	1	locking device, welded				
60530200062	1	mounting link				
56265100000	1	Round-Head Nail DIN 1476-4x10-A2-70				
60540246900	1	pan head screw				
60510200056	1	Pan head screw M6x7,1x7				
38071078000	1	bar				
57630440000	2	Countersunk screw DIN963 M4x12-A2-70				
60530200094	1	cover plate				
57697470000	2	Cylinder screw DIN84 M4x8-A2-70				
38099371000	1	Bearing rail preass.				
60530200067	1	collar nut				
60540247300	1	Star knob M8x18,5				
56456800000	1	Hexagon nut DIN934-M8-A2				
60510200113	1	washer 20 (1mm)				
40110201002	1	Washer 40x18,15x1 - POM				
60510200132	1	Washer				
60510200133	1	Washer 1 mm				
40110201009	1	Washer 18x27x1				
60510200134	1	washer 0,5mm				
60510200112	1	lock nut				
60540245900	1	Handhold 91x28 M16x1 - PA6 black				
56036120000	1	Set screw DIN551 M6x12-14H				
96055070000	0,020	Grease PARALIQ GA 343				
38004459000	0,001	Loctite 648				
95972950002	0,001	Loctite 243 50 ml				
38093767000	1	Wave Washer 36x25,2x3				
60540246101	1	lever ass.				

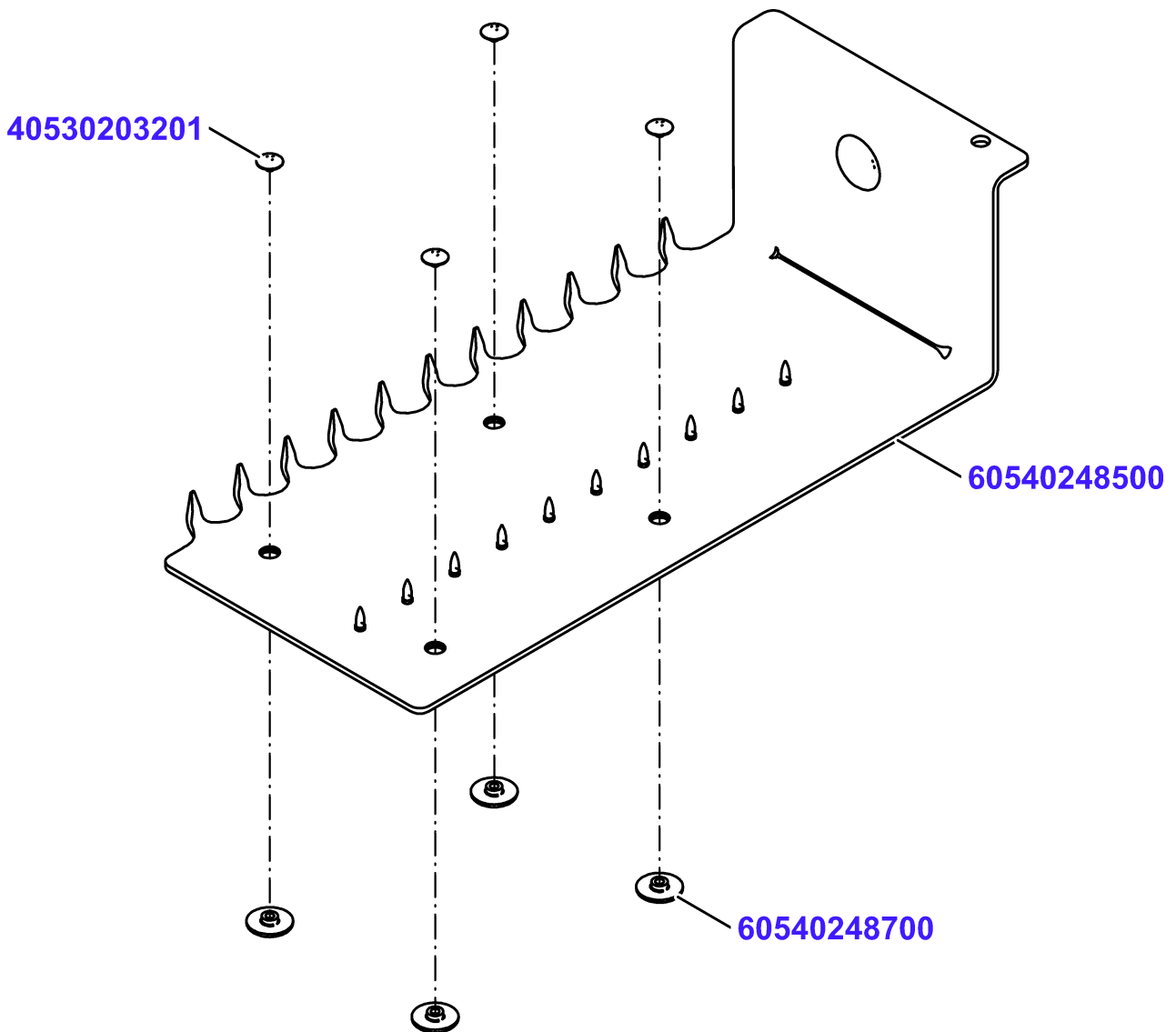
Product holder ass.






Product holder ass.

Material No.	Qty	Material description	available for order	Wear part	Recomm. sp. part	Metr. relevance
60530207200	1	product holder housing preass.				
60510200081	2	collar stud				
60530207000	2	side frame				
38038982000	3	Gripper Shaft cpl.				
38038989000	1	Gripper Shaft cpl.				
38038997000	1	Gripper Shaft cpl.				
56086270000	1	Ball knob DIN319 M8x32 I				
56243100000	5	Cylindrical pin EN 22338-3h11x10-A2				
60510200037	5	Pinion				
40510200086	2	Pressure spring				
38071862000	2	brake pad				
60530207100	4	Hexagon Screw M4x6 A2-70 Hygiene				
95972950002	0,001	Loctite 243 50 ml				

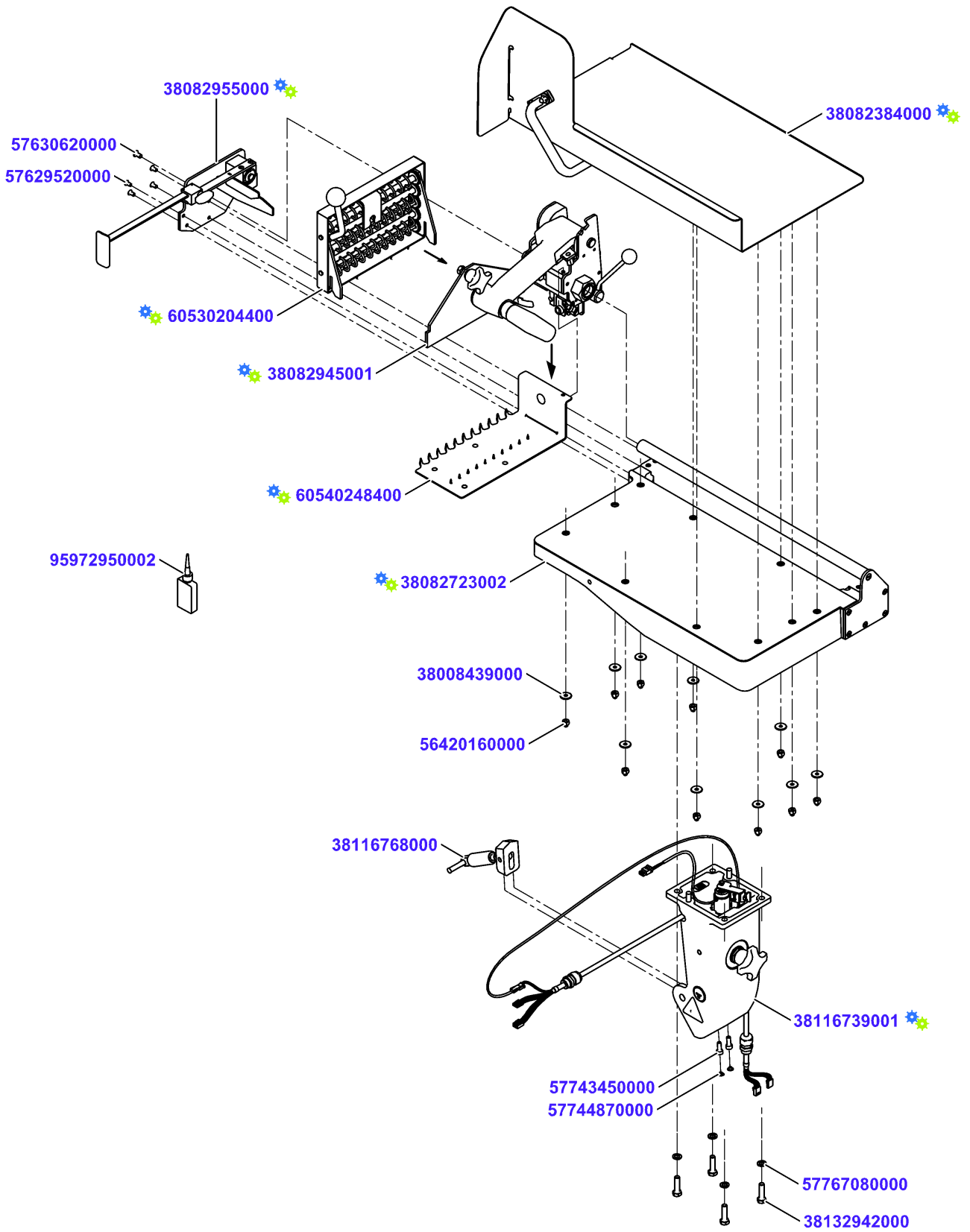
product supporting plate ass.



product supporting plate ass.

Material No.	Qty	Material description	available for order	Wear part	Recomm. sp. part	Metr. relevance
60540248500	1	product supporting plate welded				
40530203201	4	push button				
60540248700	4	glide piece				

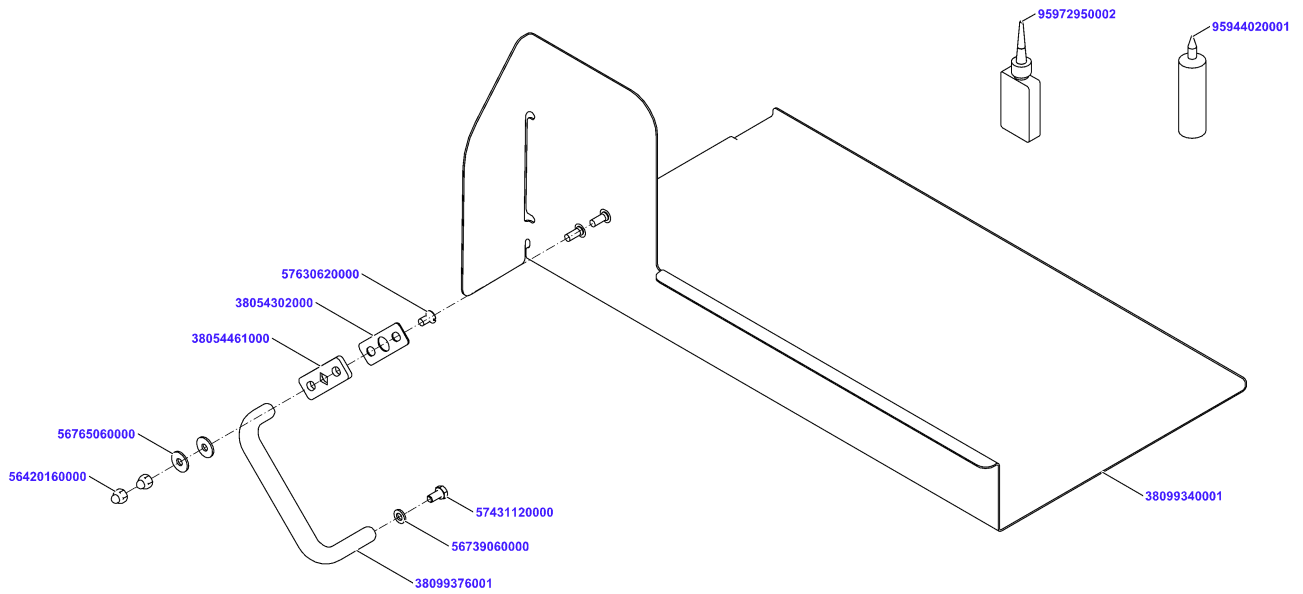
Clamping Carriage VSI 400



Clamping Carriage VSI 400

Material No.	Qty	Material description	available for order	Wear part	Recomm. sp. part	Metr. relevance
38082384000	1	Carriage Plate 400 preass	✓			
56420160000	10	Cap nut DIN986-M6-A2	✓			
38008439000	10	Sealing washer M6	✓		✓	
38082723002	1	Carriage 400 premounted	✓			
38082955000	1	Product Supporter horizontal cpl	✓			
57629520000	4	Countersunk screw DIN963 M5x10-A2-70	✓			
57630620000	1	Countersunk screw DIN963 M6x12-A2-70	✓			
38116739001	1	Carriage Foot low cpl.	✓			
38132942000	4	Hexagon screw DIN 933 M8x28 A2-70	✓			
57767080000	4	Spring lock washer DIN128-A8-A2	✓			
38116768000	1	Gas pressure spring carriage 400 cpl	✓		✓	
57743450000	2	Cylinder screw DIN912 M6x16-A2-70	✓			
95972950002	0,001	Loctite 243 50 ml	✓			
57744870000	2	Protective plug 10x5,2x3,1-PE	✓		✓	
38082945001	1	Product Holder folding upwards preass.	✓			
60530204400	1	Product holder ass.	✓			
60540248400	1	product supporting plate ass.	✓			

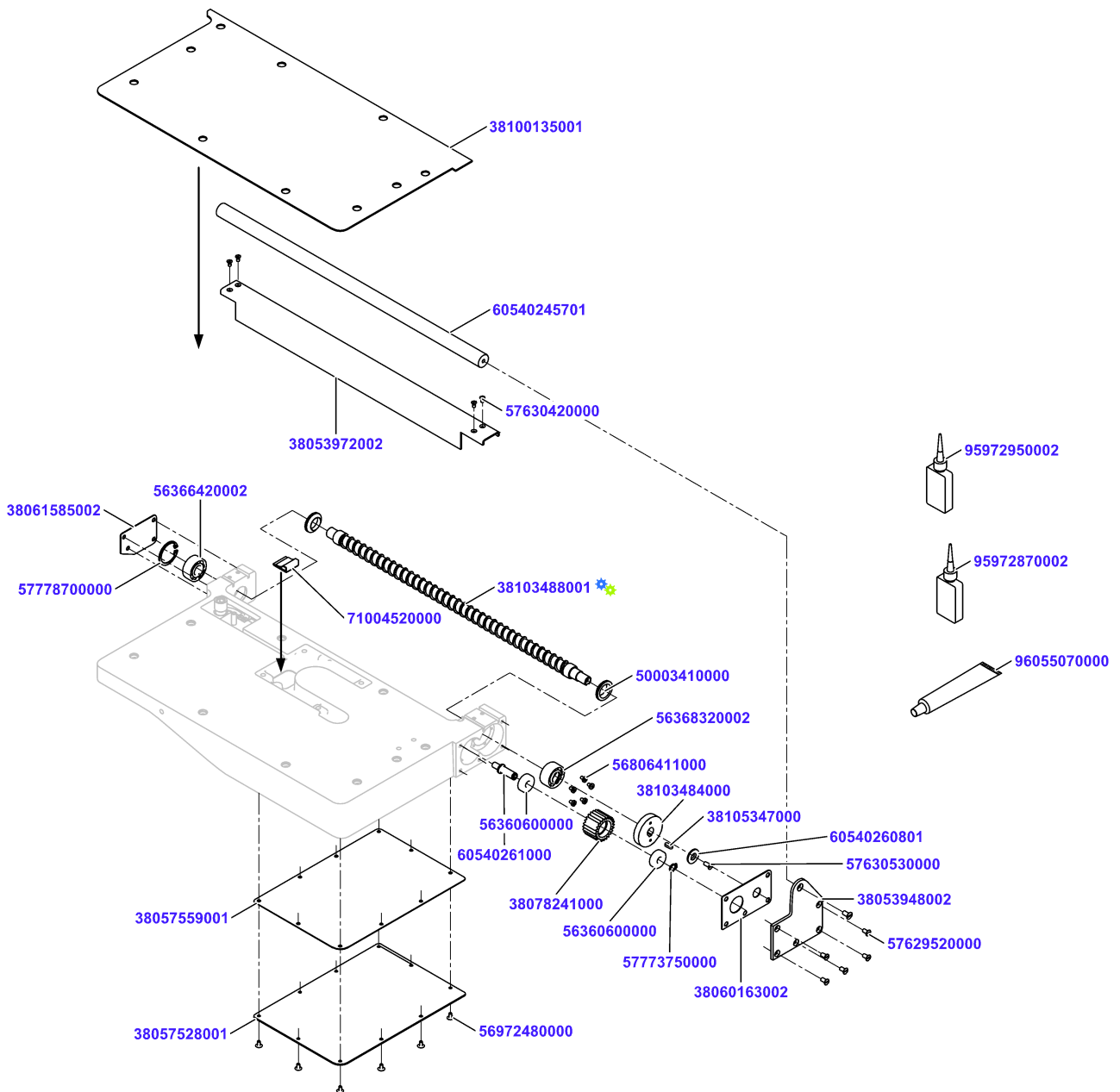
Carriage Plate 400 preass



Carriage Plate 400 preass

Material No.	Qty	Material description	available for order	Wear part	Recomm. sp. part	Metr. relevance
38099340001	1	Carriage Plate welded	✓			
38099376001	1	Handle	✓			
38054461000	1	Plate	✓			
38054302000	1	Gasket	✓		✓	
95944020001	10	Silicone Rubber Elastosil E41 90ml	✓			
57630620000	1	Countersunk screw DIN963 M6x12-A2-70	✓			
95972950002	0,001	Loctite 243 50 ml	✓			
56420160000	2	Cap nut DIN986-M6-A2	✓			
56765060000	2	Washer DIN9021-6-A2	✓			
57431120000	1	Hexagon screw DIN933 M6x12 A2-70	✓			
56739060000	1	Washer DIN125-A-6-A2	✓			

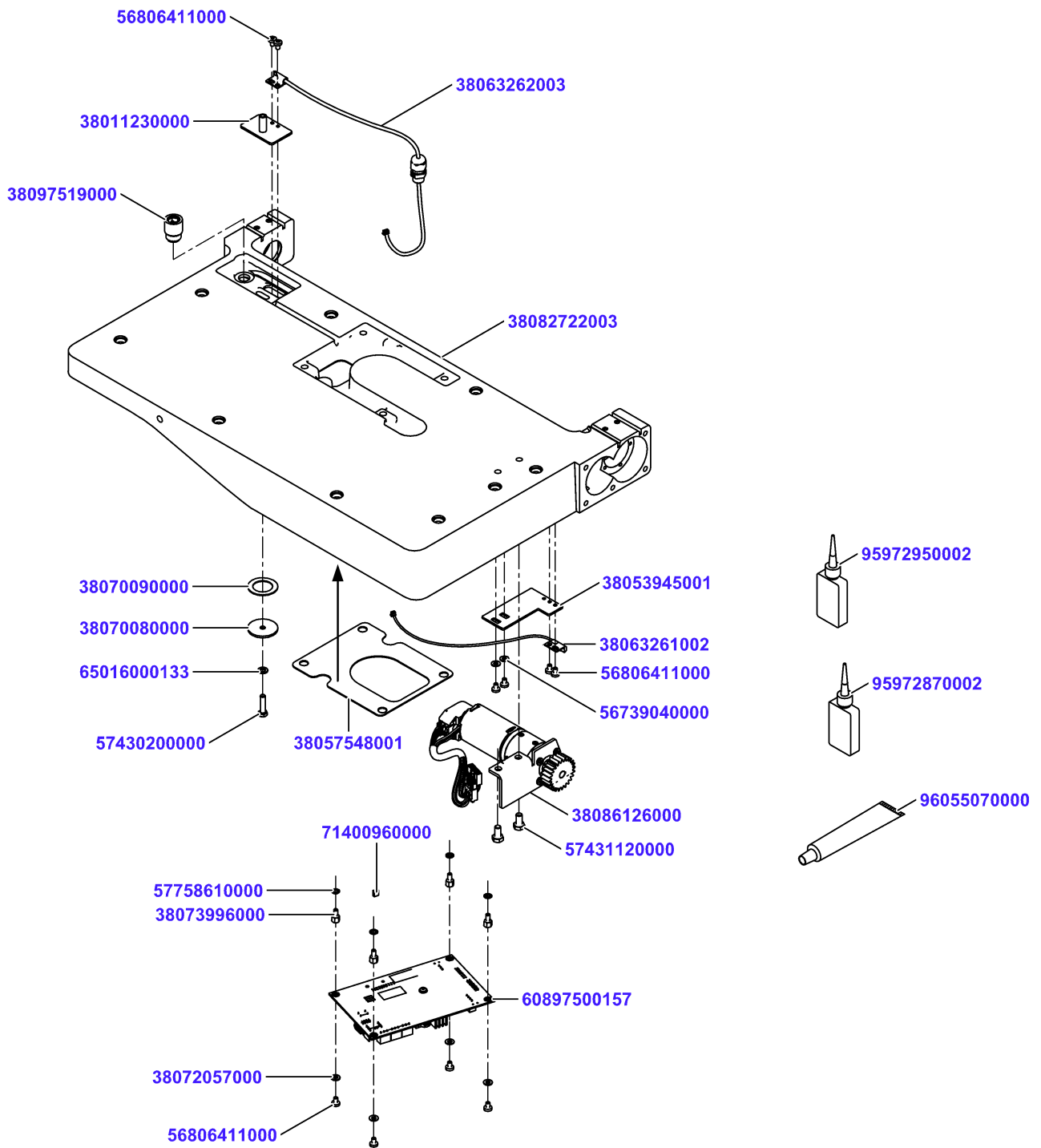
Carriage 400 premounted



Carriage 400 premounted

Material No.	Qty	Material description	available for order	Wear part	Recomm. sp. part	Metr. relevance
57778700000	1	Retaining ring DIN472-35x1,5	✓			
38103488001	1	Feedspindle 521xTR20x12 ass.	✓			
56806411000	5	Oval-head screw ISO14583 M4x6-A2-70-T20	✓			
95972950002	0,005	Loctite 243 50 ml	✓			
38103484000	1	Gear Wheel	✓			
38105347000	1	Parallel key DIN6885-A 5x3x14	✓			
60540260801	1	Washer	✓			
57630530000	1	Countersunk screw DIN963 M5x12-A2-70	✓			
95972950002	0,001	Loctite 243 50 ml	✓			
60540261000	1	bolt	✓			
38078241000	1	Gear Wheel	✓			
56360600000	2	Grooved ball bearing DIN625 10x26x8	✓			
57773750000	1	Retaining ring DIN471-10x1	✓			
38053972002	1	Guide Rail 400er	✓			
57630420000	4	Countersunk screw DIN963 M4x8-A2-70	✓			
56806411000	4	Oval-head screw ISO14583 M4x6-A2-70-T20	✓			
56806411000	2	Oval-head screw ISO14583 M4x6-A2-70-T20	✓			
71004520000	1	Flat Cabel Holder 3484-1000	✓			
95972870002	0,001	Loctite 638	✓			
56806411000	4	Oval-head screw ISO14583 M4x6-A2-70-T20	✓			
38053948002	1	Flange	✓			
38060163002	1	Sealing	✓		✓	
57629520000	5	Countersunk screw DIN963 M5x10-A2-70	✓			
38061585002	1	sealing	✓		✓	
60540245701	1	guide shaft	✓			
95972950002	0,001	Loctite 243 50 ml	✓			
38100135001	1	Flat Seal Carriage Plate 400	✓		✓	
38057528001	1	Cover 255,4x177,4x2	✓		✓	
38057559001	1	Seal Cover	✓		✓	
56972480000	10	Mushroom head screw M4x8-A2-70 Tuflok	✓			
50003410000	2	Wiper ring 30x20x7	✓			
56368320002	1	Angular bearing double-row 15x35x15,9	✓			
56366420002	1	Self-Aligning Ball Bearing 2202	✓			

Carriage 400 premounted



Carriage 400 premounted

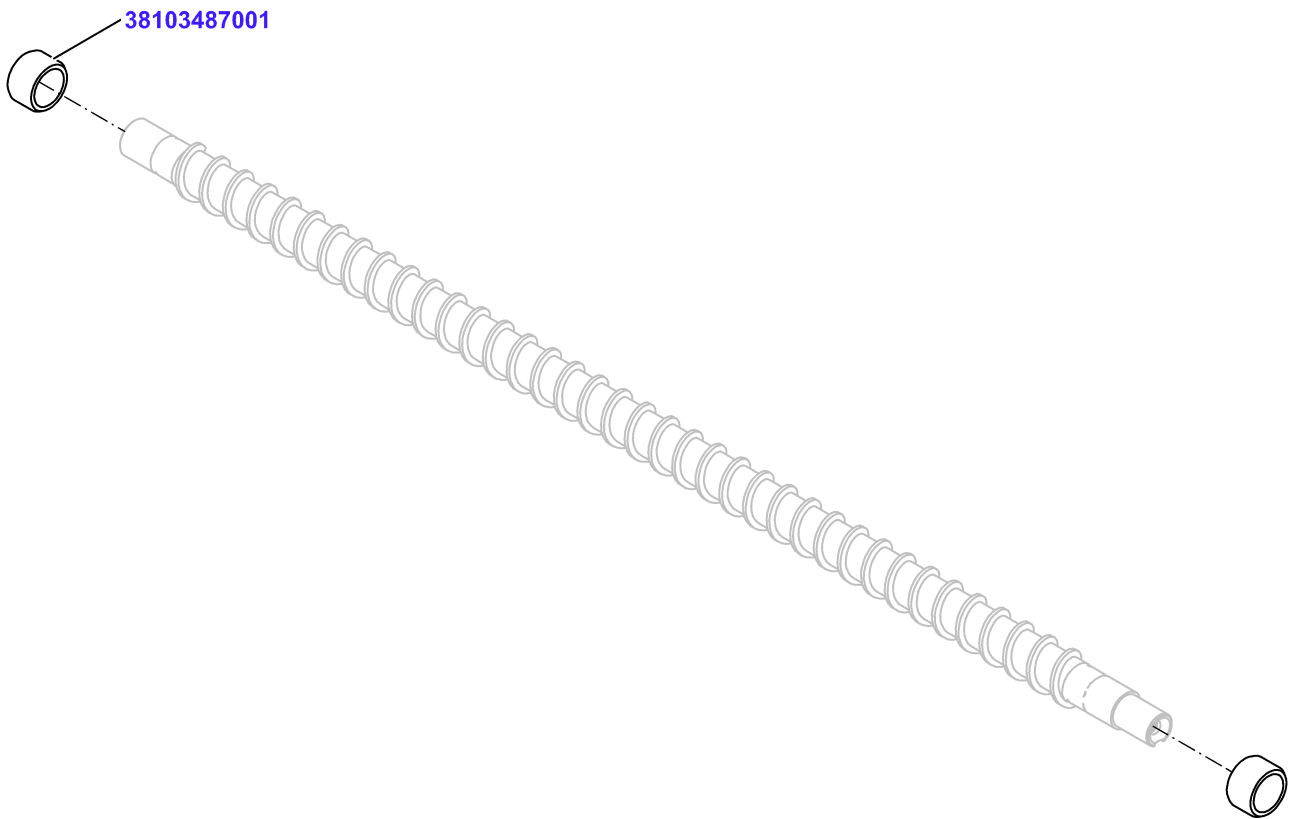
Material No.	Qty	Material description	available for order	Wear part	Recomm. sp. part	Metr. relevance
38082722003	1	Carriage Carrier 400 machined	✓			
56806411000	5	Oval-head screw ISO14583 M4x6-A2-70-T20	✓			
95972950002	0,005	Loctite 243 50 ml	✓			
95972950002	0,001	Loctite 243 50 ml	✓			
38053945001	1	Board	✓			
38063261002	1	Sensor product feeding 1 VSI	✓			
56806411000	4	Oval-head screw ISO14583 M4x6-A2-70-T20	✓			
56739040000	2	Washer DIN125-A 4.3-A2-70	✓			
38011230000	1	Board cpl	✓			
38063262003	1	Sensor product feeding 2 VSI	✓			
56806411000	2	Oval-head screw ISO14583 M4x6-A2-70-T20	✓			
38070080000	1	Washer	✓			
38070090000	1	Sealing	✓		✓	
57430200000	1	Hexagon screw DIN933 M5x20 A2-70	✓			
65016000133	1	Washer 5-PA	✓			
38097519000	1	Sleeve 18 x 10 x 24.25	✓			
95972870002	0,001	Loctite 638	✓			
38086126000	1	Motor Product Feeding BG42x15 cpl	✓			
57431120000	2	Hexagon screw DIN933 M6x12 A2-70	✓			
60897500157	1	PCBAP MC 3ph 2ch lv bus	✓			
71400960000	1	Short Circuit Bracket 3131 731000406	✓		✓	
57758610000	4	Toothed washer DIN6797-A 4,3-Fst	✓			
38073996000	4	Distance bolt SW7x6 M4-M4 In-Out	✓			
56806411000	4	Oval-head screw ISO14583 M4x6-A2-70-T20	✓			
38072057000	4	Washer DIN125-A-4-PA6	✓			
95972950002	0,001	Loctite 243 50 ml	✓			
38057548001	1	Seal	✓		✓	

Carriage 400 premounted

Carriage 400 premounted


Material No.	Qty	Material description	available for order	Wear part	Recomm. sp. part	Metr. relevance
96055080000	0,001	Kluebersynth UH1 64-62/25kg				
96055080000	0,001	Kluebersynth UH1 64-62/25kg				
96055080000	0,001	Kluebersynth UH1 64-62/25kg				
57630620000	1	Countersunk screw DIN963 M6x12-A2-70				
96055080000	0,001	Kluebersynth UH1 64-62/25kg				
96055080000	0,001	Kluebersynth UH1 64-62/25kg				
96055080000	0,001	Kluebersynth UH1 64-62/25kg				

Feedspindle 521xTR20x12 ass.

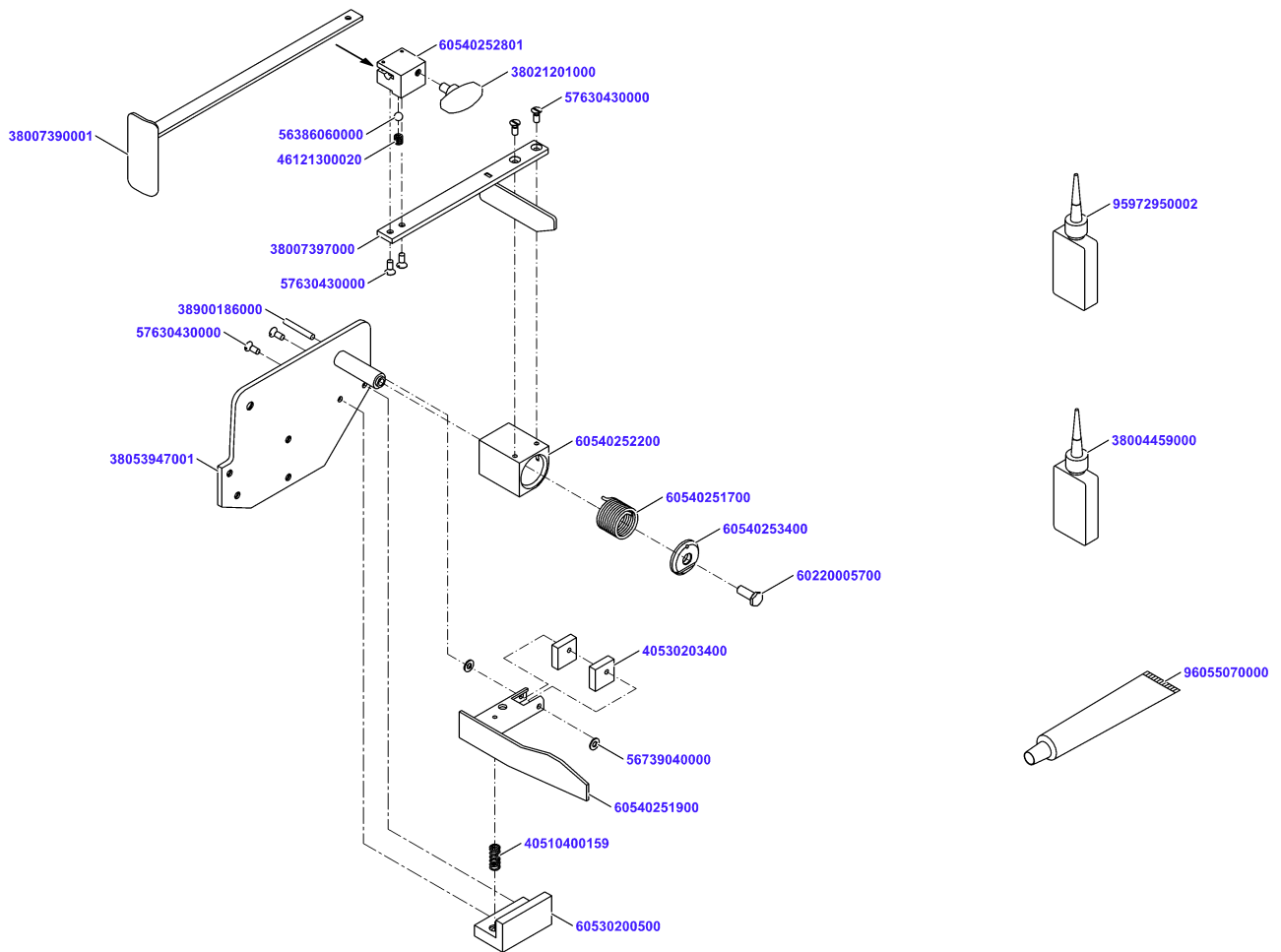


Feedspindle 521xTR20x12 ass.

Material No.	Qty	Material description
38103487001	2	Ring 12x20x15H7

	available for order
	Wear part
	Recomm. sp. part
	Metr. relevance

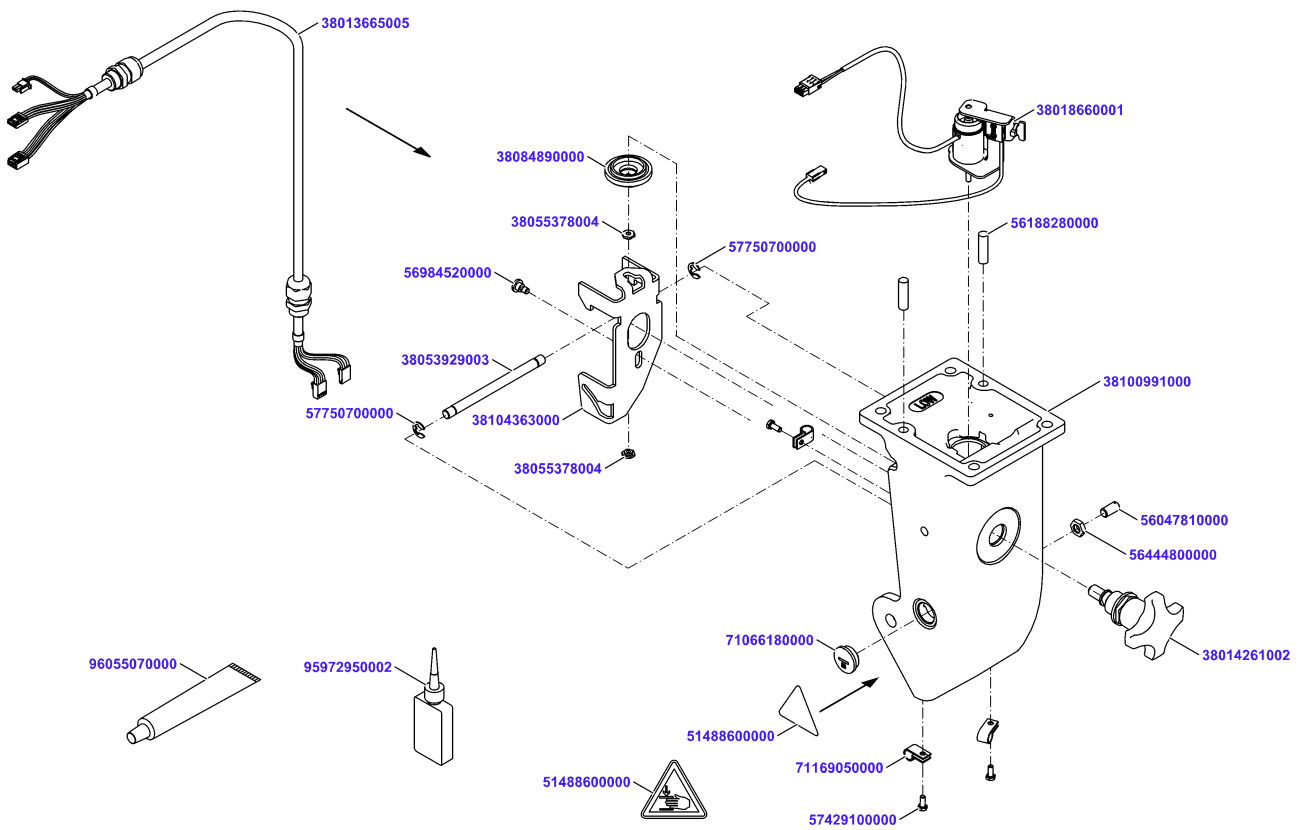
Product Supporter horizontal cpl



Product Supporter horizontal cpl

Material No.	Qty	Material description	available for order	Wear part	Recomm. sp. part	Metr. relevance
38053947001	1	Mounting with Shaft	✓			
60540251900	1	Lever welde. compl.	✓			
40530203400	2	buffer	✓			
38900186000	1	Cylindrical pin DIN7-4m6x28-A2	✓			
56739040000	2	Washer DIN125-A 4.3-A2-70	✓			
40510400159	1	pressure spring	✓			
60530200500	1	supporting angle	✓			
57630430000	6	Countersunk screw DIN963 M4x10-A2-70	✓			
95972950002	0,001	Loctite 243 50 ml	✓			
60540252200	1	hub preass.	✓			
60540251700	1	spring	✓			
96055070000	0,005	Grease PARALIQ GA 343	✓			
60540253400	1	tightening disk	✓			
60220005700	1	hexagon screw oval-head M 6x16	✓			
38004459000	0,001	Loctite 648	✓			
38007397000	1	Cantilever welded	✓			
60540252801	1	take up device preassembled	✓			
56386060000	1	Ball DIN5401 6-1.4034	✓			
46121300020	1	PRESSURE SPRING 6121300020	✓			
38021201000	1	Wing screw M6x10-1.4308	✓			
38007390001	1	Holder welded	✓			

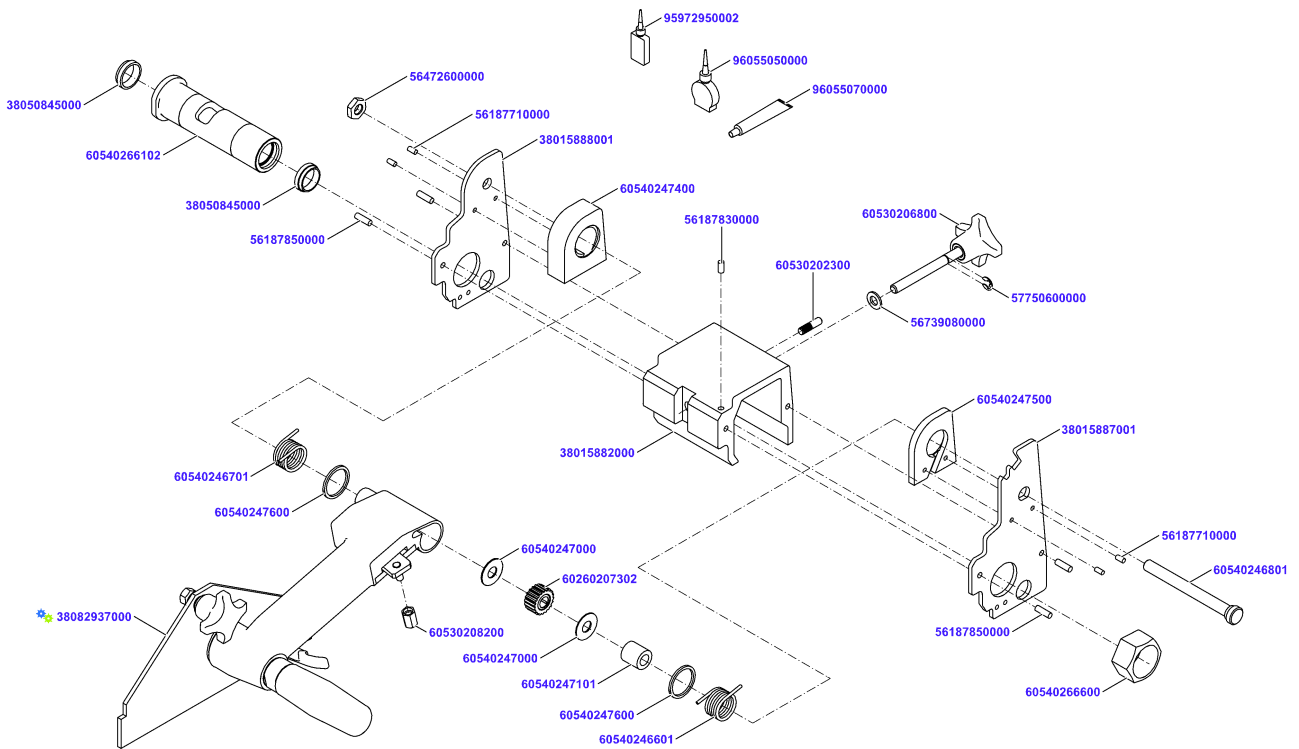
Carriage Foot low cpl.



Carriage Foot low cpl.

Material No.	Qty	Material description	available for order	Wear part	Recomm. sp. part	Metr. relevance
38100991000	1	Carriage Foot low hygienic mach	✓			
56188280000	2	Cylindrical pin EN 22338-8m6x28-A2	✓			
56047810000	1	Set screw DIN551 M8x16-PA 66	✓			
56444800000	1	Hexagon nut DIN439-M8-A2	✓			
38018660001	1	Magnet preass	✓	✓		
38084890000	1	Cap preass	✓			
38055378004	2	Hexagon nut	✓			
95972950002	0,001	Loctite 243 50 ml	✓			
38104363000	1	Interlock	✓			
96055070000	0,001	Grease PARALIQ GA 343	✓			
56984520000	1	Pan head screw DIN923 M5x4A2-70	✓			
71066180000	1	Blind plug BLK- M20	✓			
38014261002	1	Handle preass.	✓			
38053929003	1	Stop Bolt	✓			
57750700000	2	Retaining washer DIN6799-7	✓			
71169050000	3	Cable Clamp nylon 7,4mm NK-5N	✓			
38013665005	1	Ka Rd 12x24AWG 0,87m	✓			
57429100000	3	Hexagon screw DIN933 M4x10 A2-70	✓			
51488600000	1	Warning Plate Hand Injury 7.29K	✓			

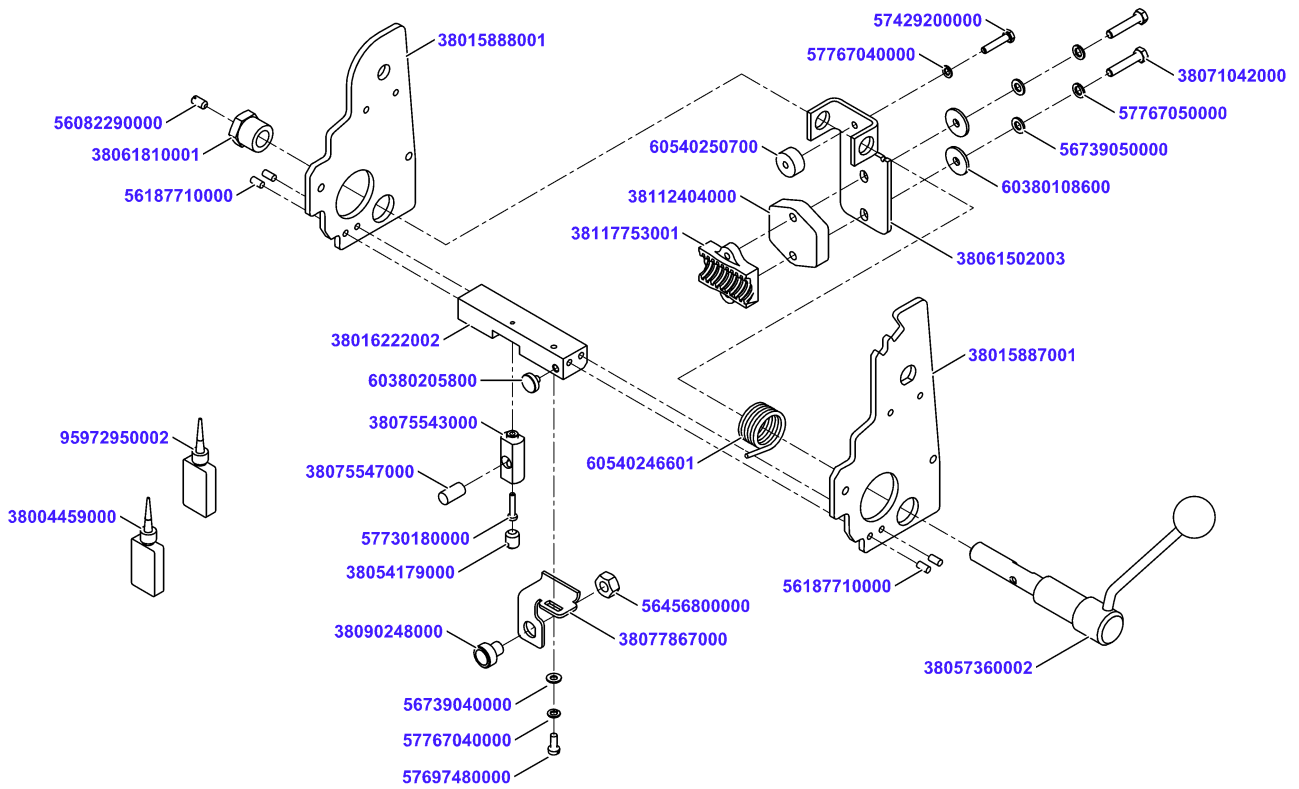
Product Holder folding upwards preass.



Product Holder folding upwards preass.

Material No.	Qty	Material description	available for order	Wear part	Recomm. sp. part	Metr. relevance
38015882000	1	Product Holder Guide	✓			
56187830000	1	Cylindrical pin EN 22338-5m6x10-A2	✓			
60530202300	1	PIN	✓			
60530206800	1	locking handle assembled	✓			
56739080000	1	Washer DIN125-A-8-A2	✓			
57750600000	1	Retaining washer DIN6799-6	✓			
38015887001	1	Side Cover left	✓			
38015888001	1	Side Cover right	✓			
60540266102	1	Bushing complete	✓	✓		
38050845000	2	Deflector Ring	✓			
60540266600	1	hex nut	✓			
56187850000	4	Cylindrical pin EN 22338-5m6x16-A2	✓			
60540246601	1	Torsion spring left	✓			
95972950002	0,001	Loctite 243 50 ml	✓			
56187710000	4	Cylindrical pin EN 22338-4m6x8-A2	✓			
38082937000	1	Lever compl for the Product Holder	✓			
60540247000	2	washer	✓			
60540246801	1	Shaft	✓			
56472600000	1	Hexagon nut DIN439-M10x1-A2-70	✓			
60530208200	1	cap nut	✓			
60540246601	1	Torsion spring left	✓			
60540246701	1	Torsion spring right	✓			
60540247101	1	spacer bushing	✓			
60540247400	1	counter bearing	✓			
60540247500	1	counter bearing	✓			
60540247600	2	washer	✓			
60260207302	1	Control Gear	✓			
56187710000	4	Cylindrical pin EN 22338-4m6x8-A2	✓			
96055070000	0,001	Grease PARALIQ GA 343	✓			
96055050000	0,001	Lubricating Oil F.L.5 Oil UH1	✓			

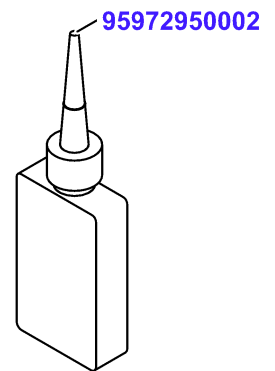
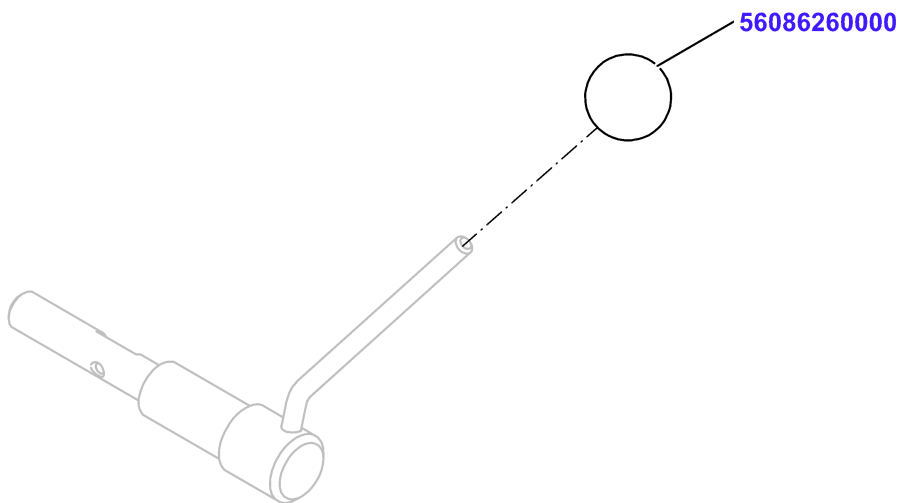
Product Holder folding upwards preass.



Product Holder folding upwards preass.

Material No.	Qty	Material description	available for order	Wear part	Recomm. sp. part	Metr. relevance
38015887001	1	Side Cover left	✓			
38015888001	1	Side Cover right	✓			
38057360002	1	Bolt cpl	✓			
38061502003	1	Holder	✓			
60540246601	1	Torsion spring left	✓			
60540250700	1	actuator	✓			
57767040000	1	Spring lock washer DIN128-A4-FSt	✓			
57429200000	1	Hexagon screw DIN933 M4x20 A2-70	✓			
38071042000	2	Hexagon screw DIN933 M5x25 A2-70	✓			
57767050000	2	Spring lock washer DIN128-A5-FSt	✓			
56739050000	2	Washer DIN125-A-5-A2	✓			
60380108600	2	Washer	✓			
38112404000	1	Spacer plate 40x40x10	✓			
38117753001	1	Nut Plate TR20X12P4	✓	✓	✓	
95972950002	0,001	Loctite 243 50 ml	✓			
38061810001	1	Screw Nut	✓			
38004459000	0,001	Loctite 648	✓			
56082290000	1	Set screw DIN438 M5x10-A2-70	✓			
38016222002	1	Bar	✓			
60380205800	1	SLIDE PIN	✓			
56187710000	4	Cylindrical pin EN 22338-4m6x8-A2	✓			
38077867000	1	Magnet Base	✓			
38090248000	1	Magnet Vacodym 370 wz round 10x4 preass	✓		✓	
56456800000	1	Hexagon nut DIN934-M8-A2	✓			
57697480000	1	Cylinder screw DIN84 M4x10-A2-70	✓			
56739040000	1	Washer DIN125-A 4.3-A2-70	✓			
57767040000	1	Spring lock washer DIN128-A4-FSt	✓			
60540246601	1	Torsion spring left	✓			
56187710000	4	Cylindrical pin EN 22338-4m6x8-A2	✓			
38075543000	1	Mounting Pin	✓			
57730180000	1	Oval-head screw ISO14583 M3x16-A2-70-T10	✓			
38075547000	1	Parallel Pin 8x15	✓			
38054179000	1	Set screw DIN438 M8x10-A2-70	✓			

Bolt cpl

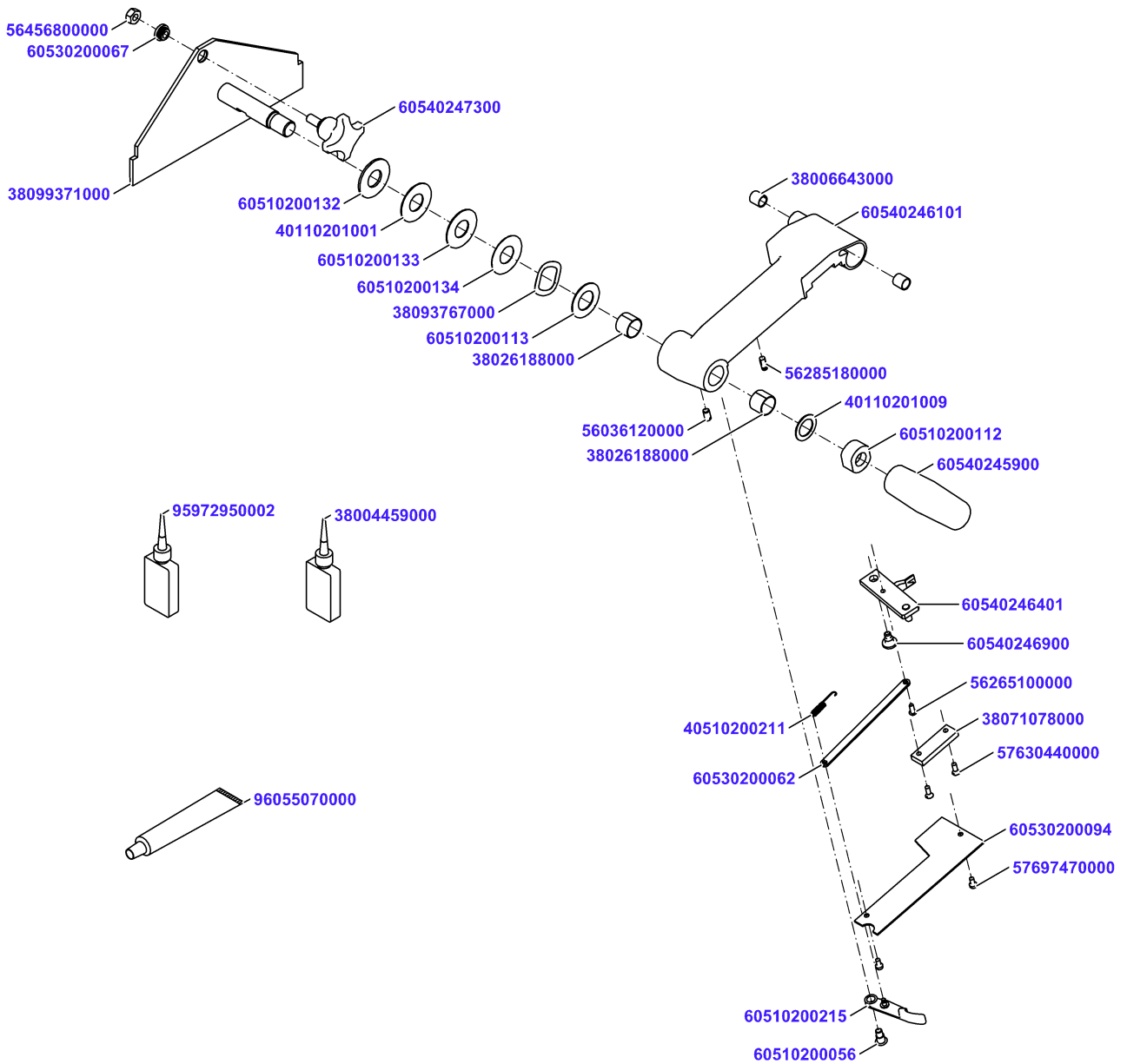


Bolt cpl

Material No.	Qty	Material description
56086260000	1	Ball knob DIN319 M6x25 I
95972950002	0,001	Loctite 243 50 ml

available for order
Wear part
Recomm. sp. part
Metr. relevance

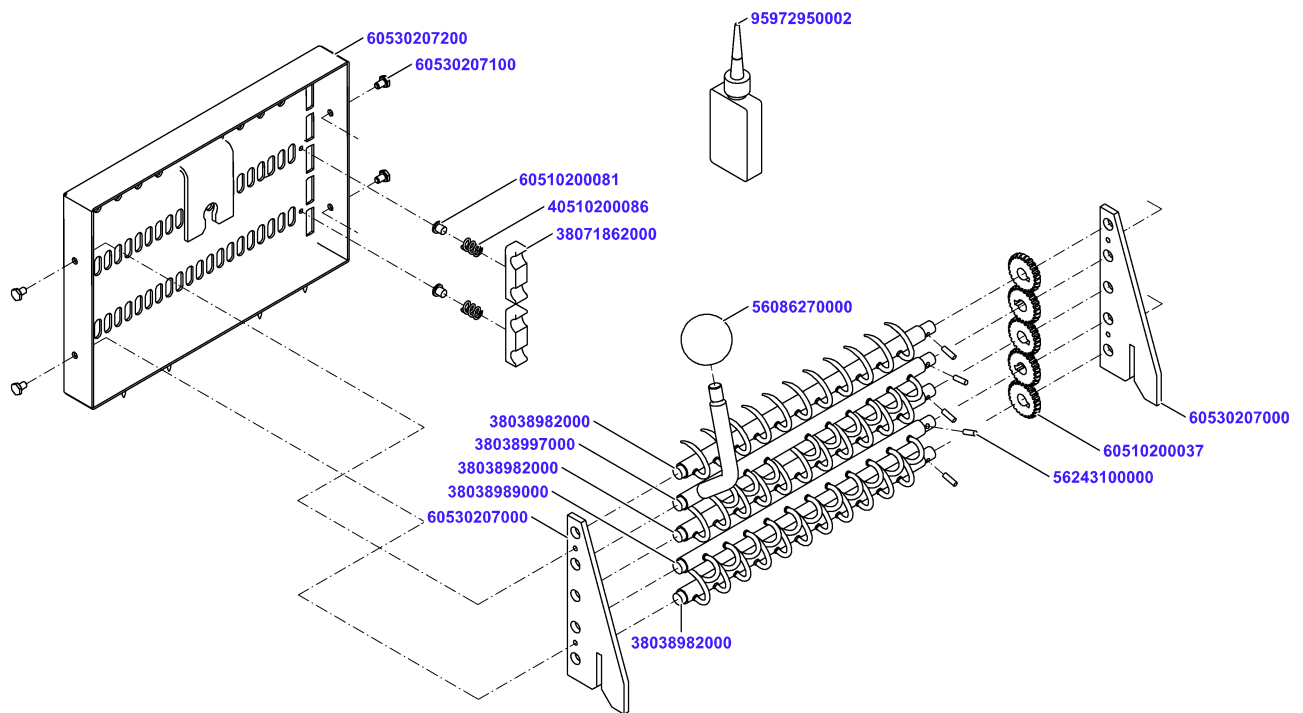
Lever compl for the Product Holder













Lever compl for the Product Holder

Material No.	Qty	Material description	available for order	Wear part	Recomm. sp. part	Metr. relevance
38132202000	1	Lever with pin				
96055070000	0,001	Grease PARALIQ GA 343				
56739060000	1	Washer DIN125-A-6-A2				
38026188000	2	Plain bearing 18x20x15				
38006643000	2	Plain bearing 10x12x12				
56285180000	1	Grooved Pin DIN 1469-C5x14-6.8				
40510200211	1	tension spring				
60540246401	1	locking device, welded				
60530200062	1	mounting link				
56265100000	1	Round-Head Nail DIN 1476-4x10-A2-70				
60540246900	1	pan head screw				
60510200056	1	Pan head screw M6x7,1x7				
38071078000	1	bar				
57630440000	2	Countersunk screw DIN963 M4x12-A2-70				
60530200094	1	cover plate				
57697470000	2	Cylinder screw DIN84 M4x8-A2-70				
38099371000	1	Bearing rail preass.				
60530200067	1	collar nut				
60540247300	1	Star knob M8x18,5				
56456800000	1	Hexagon nut DIN934-M8-A2				
60510200113	1	washer 20 (1mm)				
40110201002	1	Washer 40x18,15x1 - POM				
60510200132	1	Washer				
60510200133	1	Washer 1 mm				
40110201009	1	Washer 18x27x1				
60510200134	1	washer 0,5mm				
60510200112	1	lock nut				
60540245900	1	Handhold 91x28 M16x1 - PA6 black				
56036120000	1	Set screw DIN551 M6x12-14H				
96055070000	0,020	Grease PARALIQ GA 343				
38004459000	0,001	Loctite 648				
95972950002	0,001	Loctite 243 50 ml				
38093767000	1	Wave Washer 36x25,2x3				
60540246101	1	lever ass.				

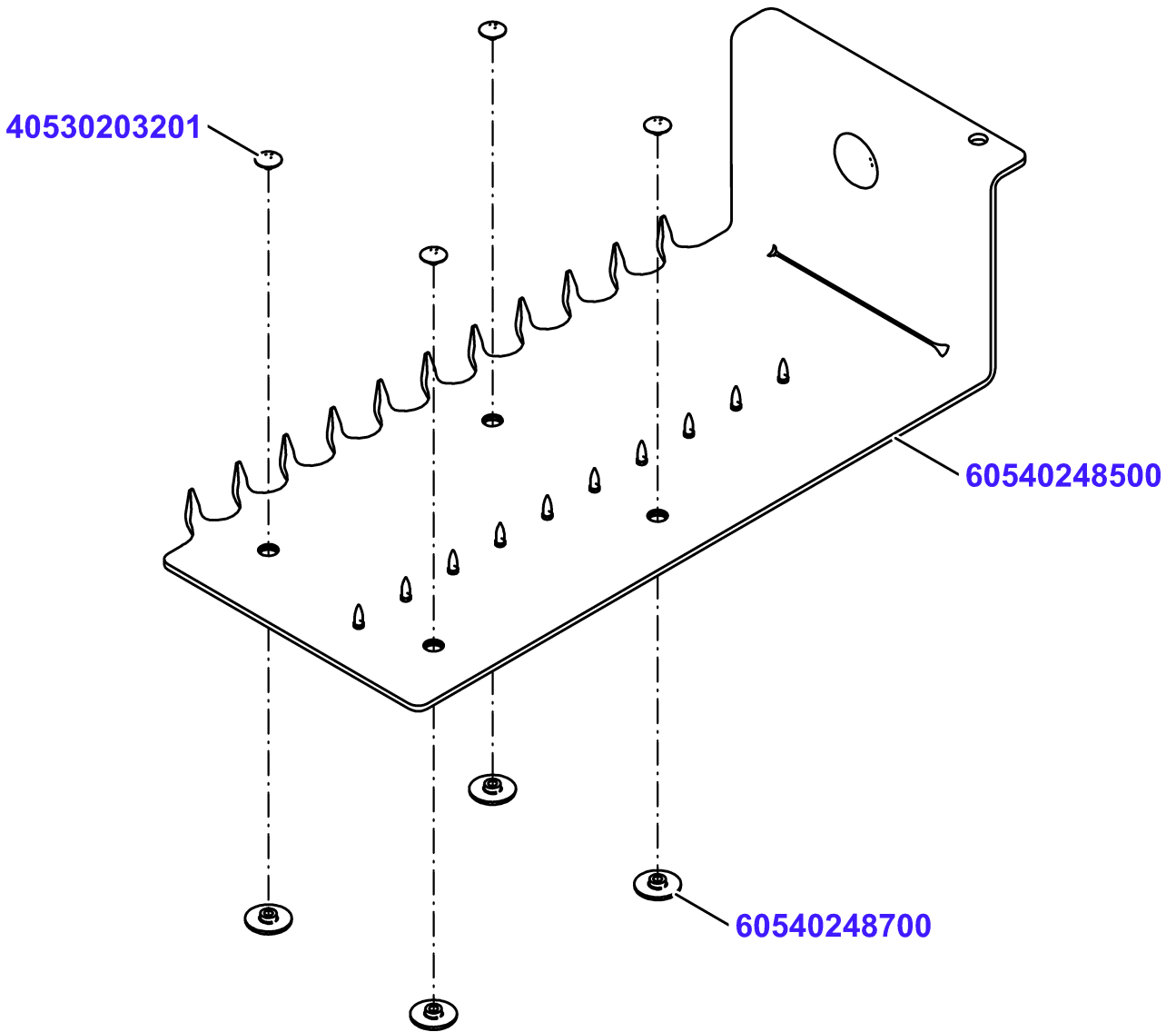
Product holder ass.






Product holder ass.

Material No.	Qty	Material description	available for order	Wear part	Recomm. sp. part	Metr. relevance
60530207200	1	product holder housing preass.				
60510200081	2	collar stud				
60530207000	2	side frame				
38038982000	3	Gripper Shaft cpl.				
38038989000	1	Gripper Shaft cpl.				
38038997000	1	Gripper Shaft cpl.				
56086270000	1	Ball knob DIN319 M8x32 I				
56243100000	5	Cylindrical pin EN 22338-3h11x10-A2				
60510200037	5	Pinion				
40510200086	2	Pressure spring				
38071862000	2	brake pad				
60530207100	4	Hexagon Screw M4x6 A2-70 Hygiene				
95972950002	0,001	Loctite 243 50 ml				

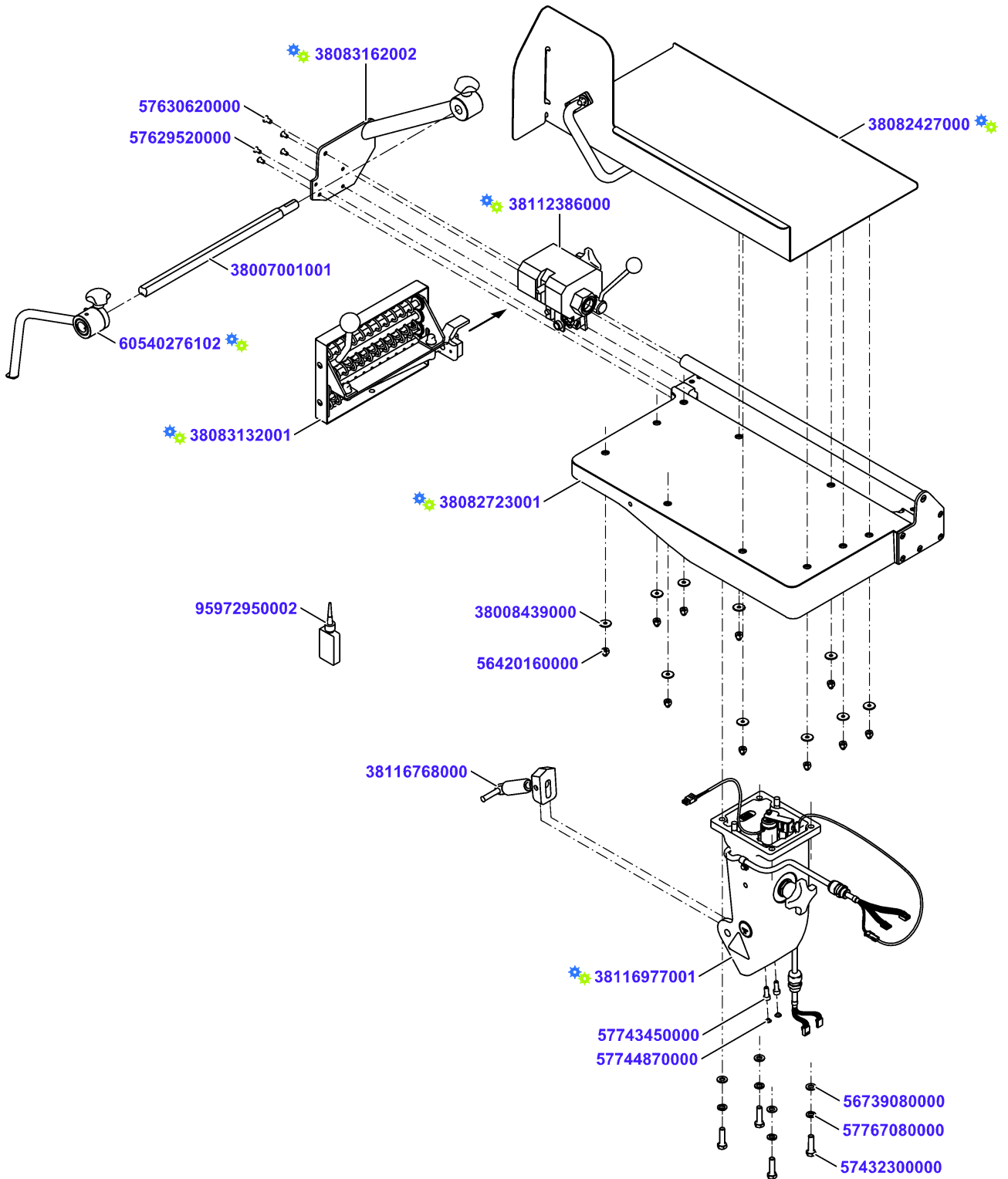
product supporting plate ass.



product supporting plate ass.

Material No.	Qty	Material description	available for order	Wear part	Recomm. sp. part	Metr. relevance
60540248500	1	product supporting plate welded				
40530203201	4	push button				
60540248700	4	glide piece				

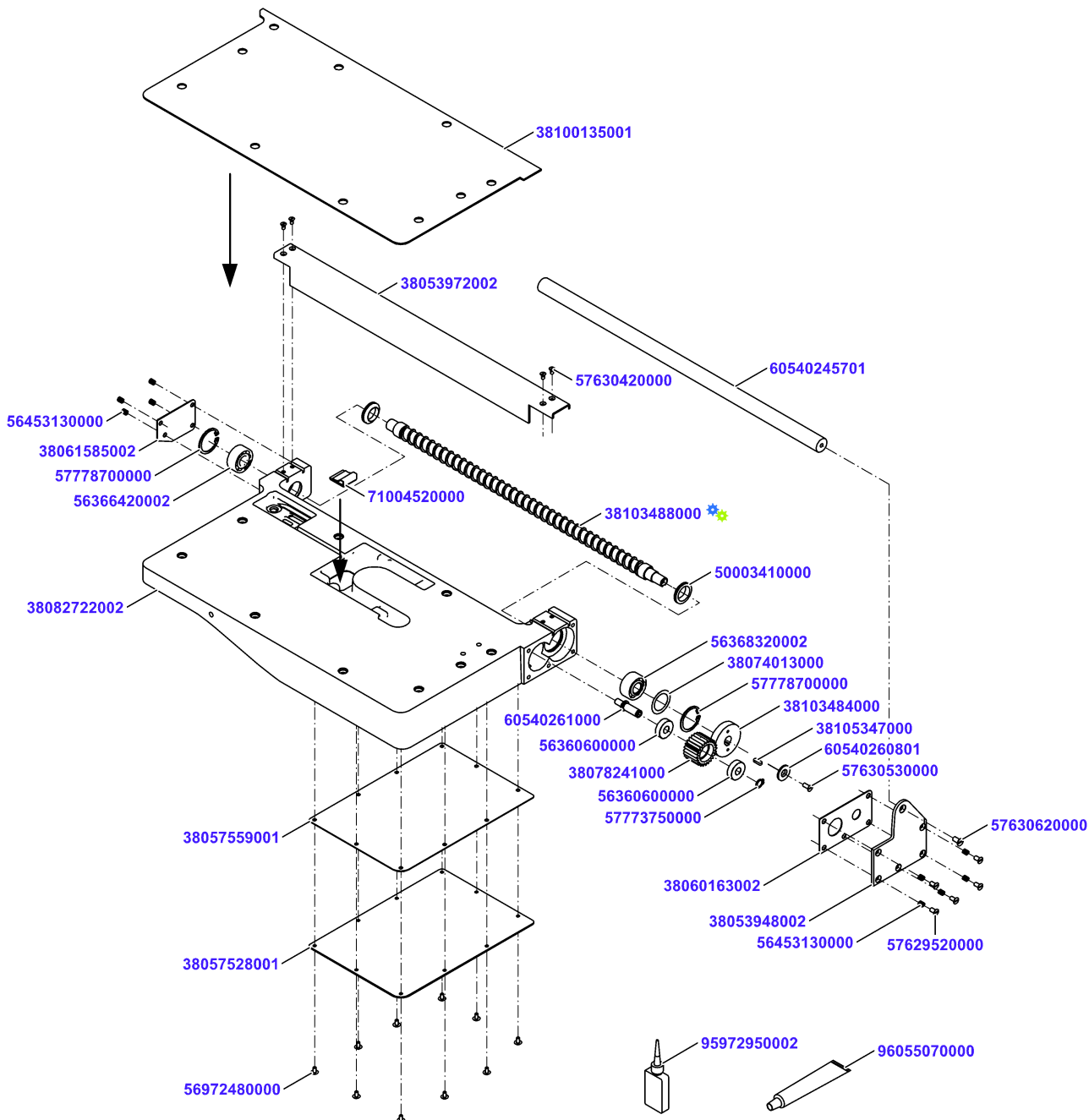
Carriage 400 NSF



Carriage 400 NSF

Material No.	Qty	Material description	available for order	Wear part	Recomm. sp. part	Metr. relevance
38082723001	1	Carriage 400 cpl				
38082427000	1	Carriage Plate 400 preass	✓			
56420160000	10	Cap nut DIN986-M6-A2	✓			
38008439000	10	Sealing washer M6	✓		✓	
38083162002	1	Product Supporter top NSF cpl				
57629520000	4	Countersunk screw DIN963 M5x10-A2-70	✓			
57630620000	1	Countersunk screw DIN963 M6x12-A2-70	✓			
38116977001	1	Carriage Foot high cpl.				
57432300000	4	Hexagon screw DIN933 M8x30 A2-70	✓			
57767080000	4	Spring lock washer DIN128-A8-A2	✓			
38116768000	1	Gas pressure spring carriage 400 cpl	✓		✓	
57743450000	2	Cylinder screw DIN912 M6x16-A2-70	✓			
95972950002	0,001	Loctite 243 50 ml	✓			
57744870000	2	Protective plug 10x5,2x3,1-PE	✓		✓	
38083132001	1	Product Holder cpl. VSI				
38112386000	1	Product Holder Guide NSF cpl	✓			
38007001001	1	Axis 18x342	✓			
60540276102	1	Holding Down Device ass.	✓			

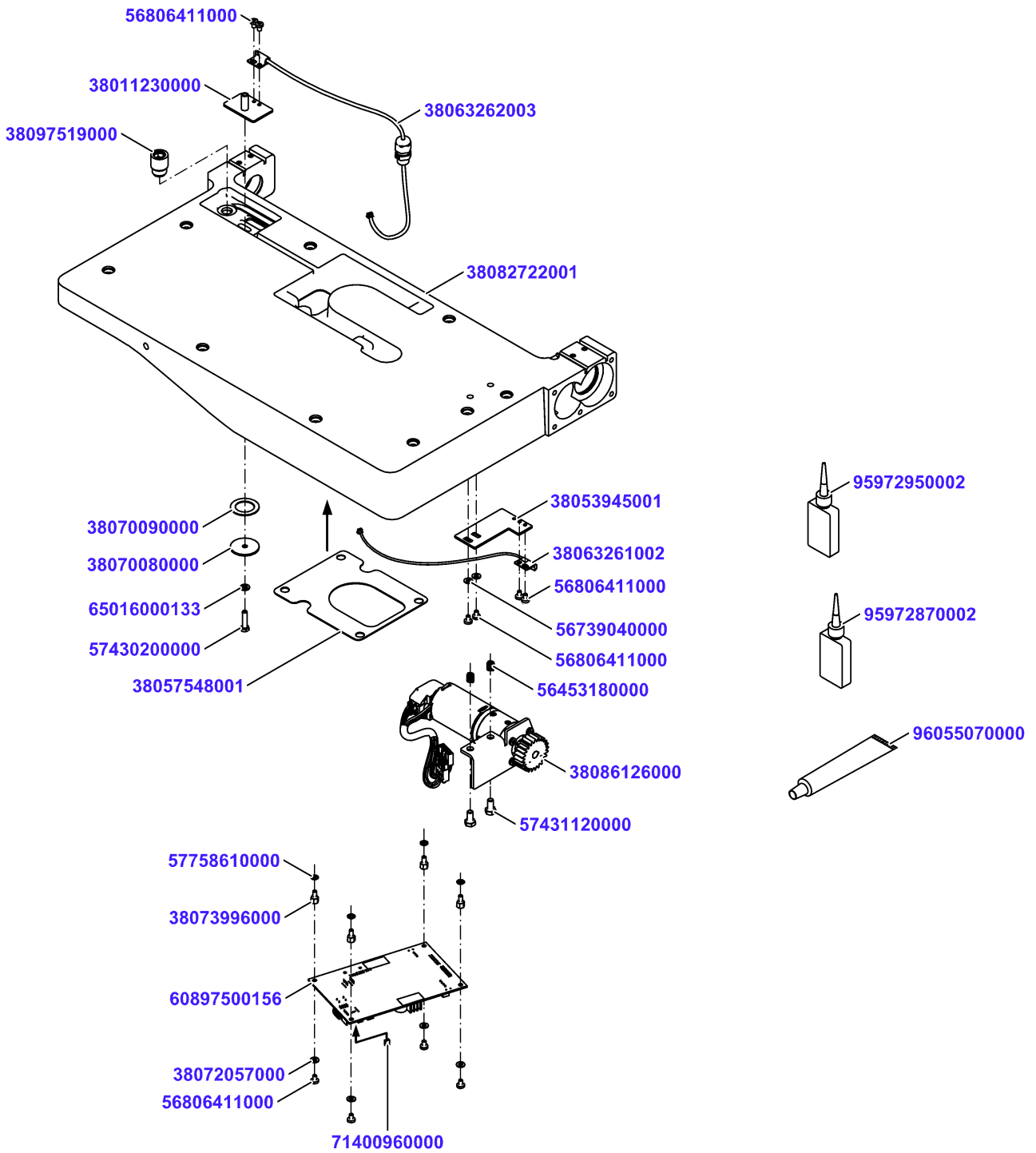
Carriage 400 cpl



Carriage 400 cpl

Material No.	Qty	Material description	available for order	Wear part	Recomm. sp. part	Metr. relevance
38082722002	1	Carriage 400 Cast machined	✓			
56453130000	9	Thread insert M5x7,5-A2	✓			
56366420002	1	Self-Aligning Ball Bearing 2202	✓			
57778700000	1	Retaining ring DIN472-35x1,5	✓			
50003410000	1	Wiper ring 30x20x7	✓			
38103488000	1	feed spindle ass.	✓			
50003410000	1	Wiper ring 30x20x7	✓			
56368320002	1	Angular bearing double-row 15x35x15,9	✓			
57778700000	1	Retaining ring DIN472-35x1,5	✓			
38074013000	1	Shim ring DIN988-25x35x0,1	✓			
38103484000	1	Gear Wheel	✓			
96055070000	0,001	Grease PARALIQ GA 343	✓			
38105347000	1	Parallel key DIN6885-A 5x3x14	✓			
60540260801	1	Washer	✓			
57630530000	1	Countersunk screw DIN963 M5x12-A2-70	✓			
95972950002	0,001	Loctite 243 50 ml	✓			
60540261000	1	bolt	✓			
38078241000	1	Gear Wheel	✓			
56360600000	2	Grooved ball bearing DIN625 10x26x8	✓			
57773750000	1	Retaining ring DIN471-10x1	✓			
38053972002	1	Guide Rail 400er	✓			
57630420000	4	Countersunk screw DIN963 M4x8-A2-70	✓			
71004520000	1	Flat Cabel Holder 3484-1000	✓			
38053948002	1	Flange	✓			
38060163002	1	Sealing	✓		✓	
57629520000	5	Countersunk screw DIN963 M5x10-A2-70	✓			
38061585002	1	sealing	✓		✓	
60540245701	1	guide shaft	✓			
57630620000	1	Countersunk screw DIN963 M6x12-A2-70	✓			
38100135001	1	Flat Seal Carriage Plate 400	✓		✓	
38057528001	1	Cover 255,4x177,4x2	✓		✓	
38057559001	1	Seal Cover	✓		✓	
56972480000	10	Mushroom head screw M4x8-A2-70 Tuflok	✓			

Carriage 400 cpl




Carriage 400 cpl

Material No.	Qty	Material description	available for order	Wear part	Recomm. sp. part	Metr. relevance
56453180000	2	Threaded insert M6x9	✓			
96055070000	0,001	Grease PARALIQ GA 343	✓			
95972950002	0,001	Loctite 243 50 ml	✓			
38053945001	1	Board	✓			
38063261002	1	Sensor product feeding 1 VSI	✓			
56806411000	4	Oval-head screw ISO14583 M4x6-A2-70-T20	✓			
56739040000	2	Washer DIN125-A 4.3-A2-70	✓			
38011230000	1	Board cpl	✓			
38063262003	1	Sensor product feeding 2 VSI	✓			
56806411000	2	Oval-head screw ISO14583 M4x6-A2-70-T20	✓			
38070080000	1	Washer	✓			
38070090000	1	Sealing	✓		✓	
57430200000	1	Hexagon screw DIN933 M5x20 A2-70	✓			
65016000133	1	Washer 5-PA	✓			
38097519000	1	Sleeve 18 x 10 x 24.25	✓			
95972870002	0,001	Loctite 638	✓			
38086126000	1	Motor Product Feeding BG42x15 cpl	✓			
57431120000	2	Hexagon screw DIN933 M6x12 A2-70	✓			
71400960000	1	Short Circuit Bracket 3131 731000406	✓		✓	
57758610000	4	Toothed washer DIN6797-A 4,3-Fst	✓			
38073996000	4	Distance bolt SW7x6 M4-M4 In-Out	✓			
56806411000	4	Oval-head screw ISO14583 M4x6-A2-70-T20	✓			
38072057000	4	Washer DIN125-A-4-PA6	✓			
38057548001	1	Seal	✓		✓	

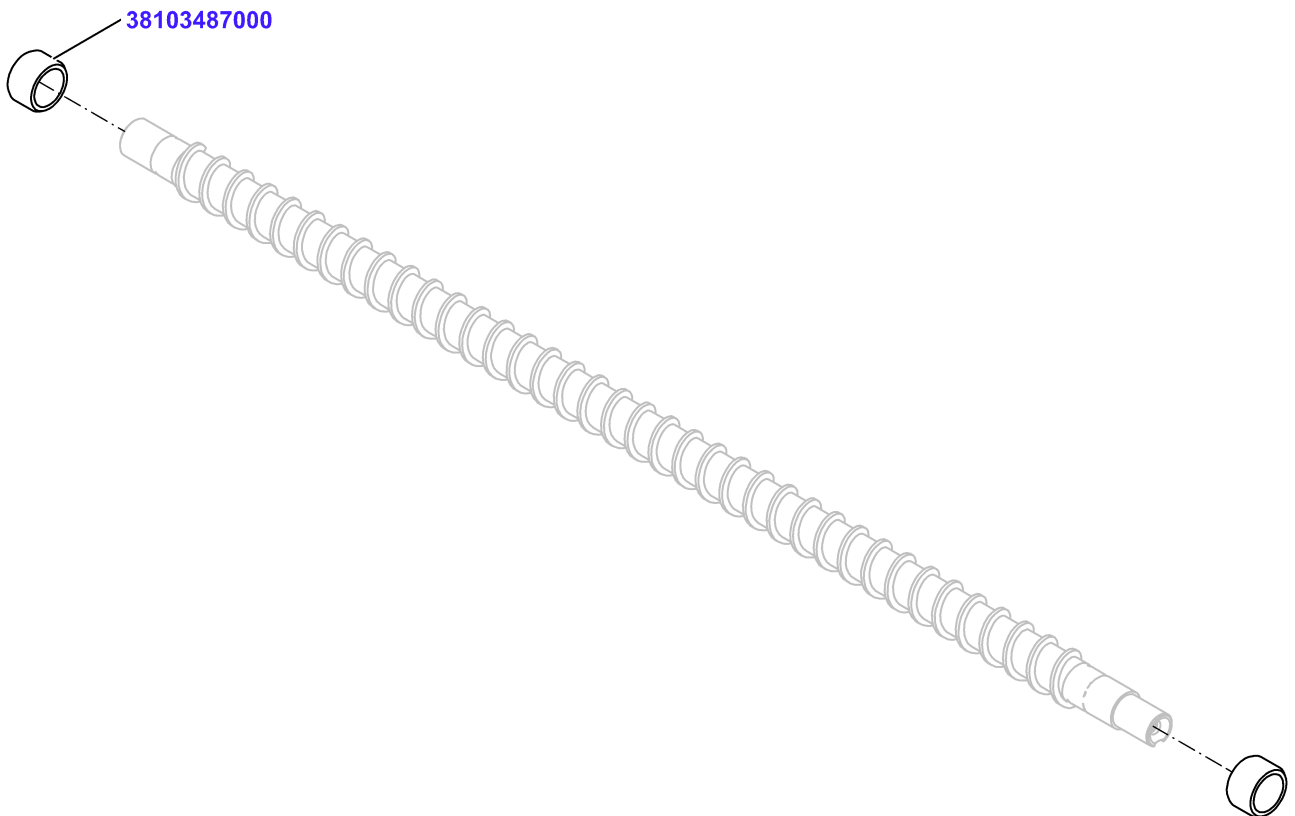
Carriage 400 cpl

Carriage 400 cpl

Material No.	Qty	Material description
60897500157	1	PCBAP MC 3ph 2ch lv bus


	available for order
	Wear part
	Recomm. sp. part
	Metr. relevance

feed spindle ass.

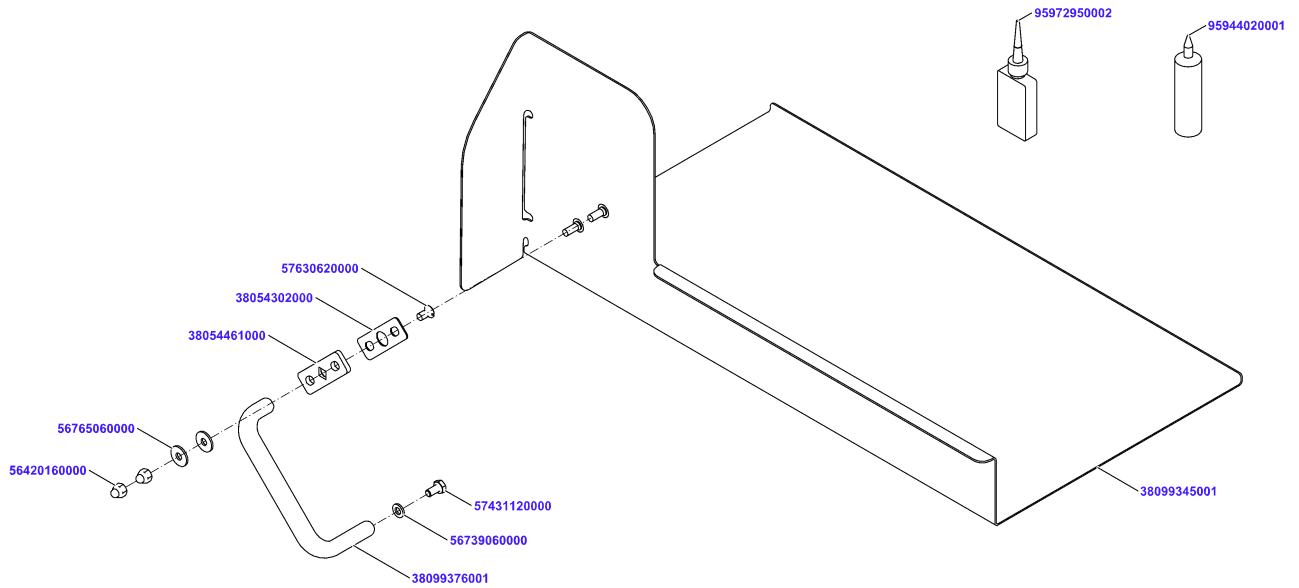


feed spindle ass.

Material No.	Qty	Material description
38103487000	2	Ring

	available for order
	Wear part
	Recomm. sp. part
	Metr. relevance

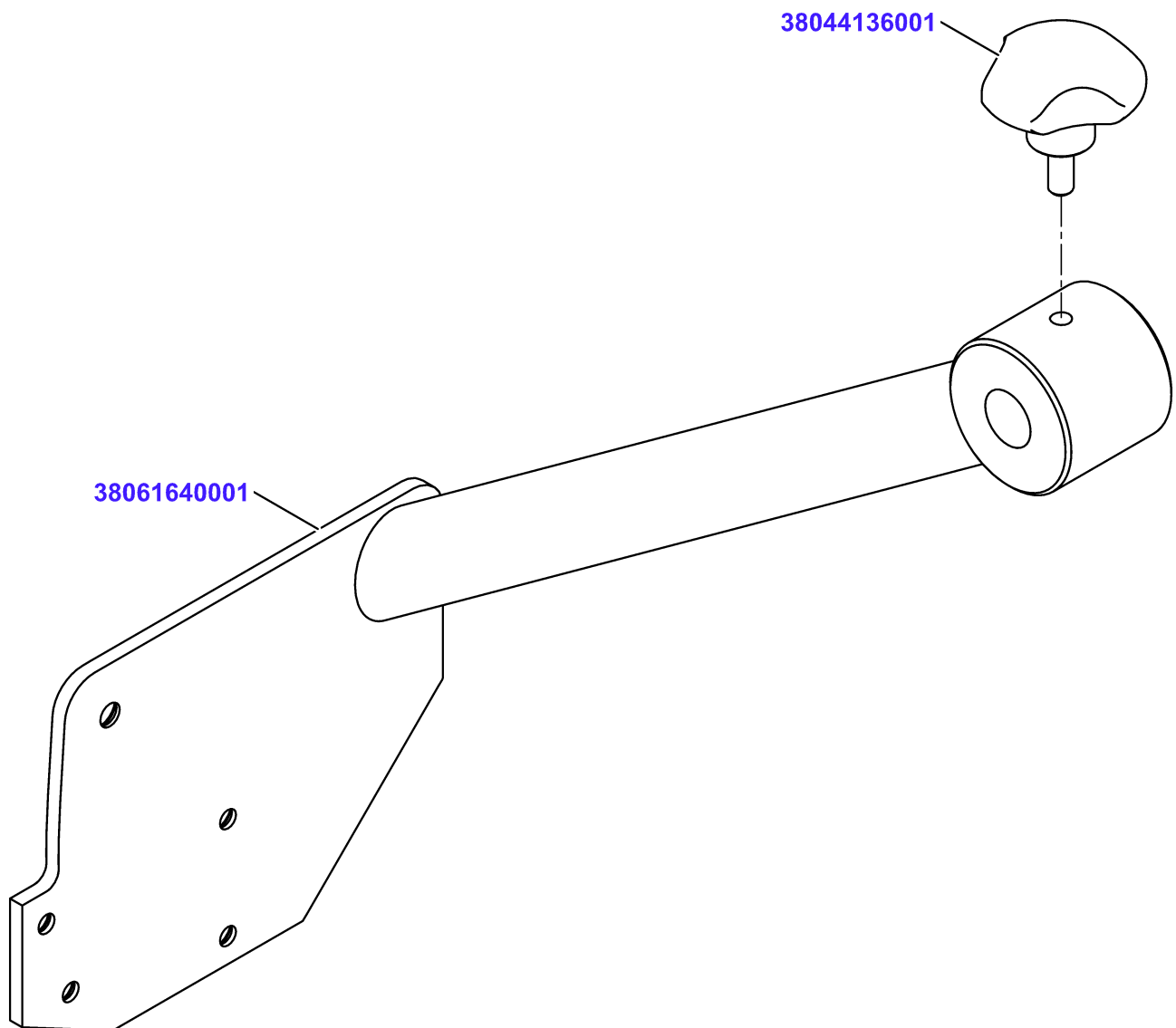
Carriage Plate 400 preass



Carriage Plate 400 preass

Material No.	Qty	Material description	available for order	Wear part	Recomm. sp. part	Metr. relevance
38099345001	1	Carriage Plate welded	✓			
38099376001	1	Handle	✓			
38054461000	1	Plate	✓			
38054302000	1	Gasket	✓		✓	
95944020001	10	Silicone Rubber Elastosil E41 90ml	✓			
57630620000	1	Countersunk screw DIN963 M6x12-A2-70	✓			
95972950002	0,001	Loctite 243 50 ml	✓			
56420160000	2	Cap nut DIN986-M6-A2	✓			
56765060000	2	Washer DIN9021-6-A2	✓			
57431120000	1	Hexagon screw DIN933 M6x12 A2-70	✓			
56739060000	1	Washer DIN125-A-6-A2	✓			

Product Supporter top NSF cpl

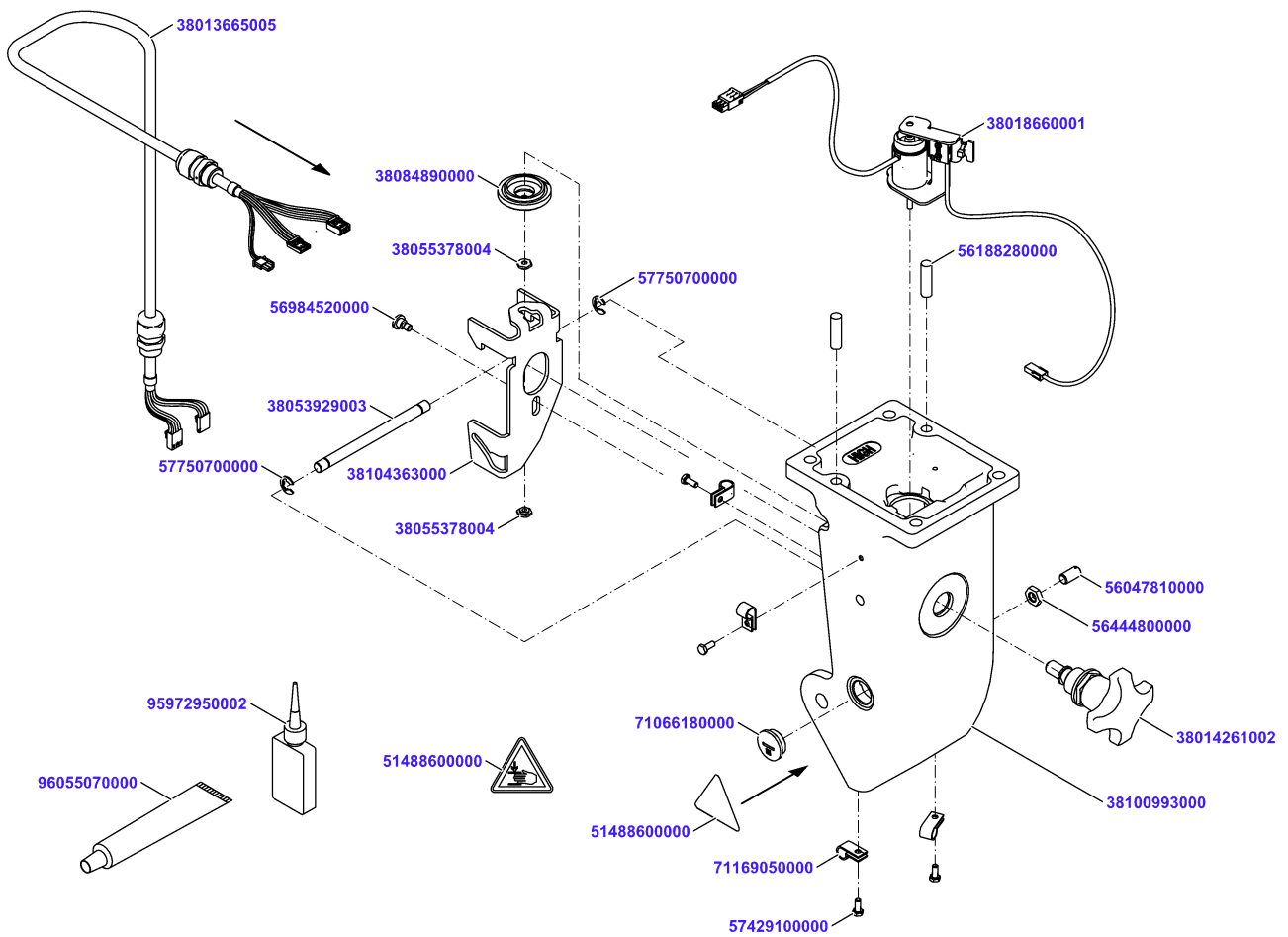


Product Supporter top NSF cpl

Material No.	Qty	Material description
38061640001	1	Mounting welded
38044136001	1	Handle with screw M6 x 14,75

available for order
Wear part
Recomm. sp. part
Metr. relevance

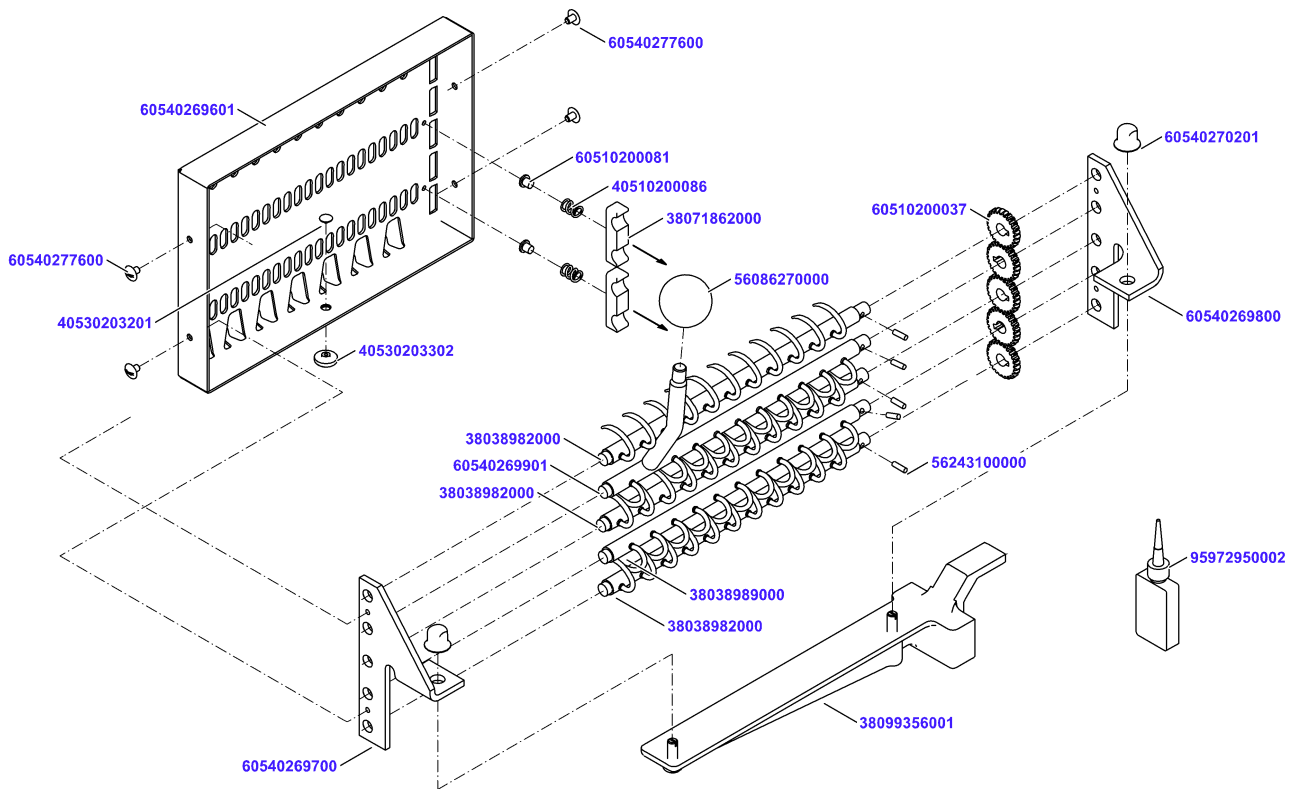
Carriage Foot high cpl.



Carriage Foot high cpl.

Material No.	Qty	Material description	available for order	Wear part	Recomm. sp. part	Metr. relevance
38100993000	1	Carriage Foot high hygienic mach	✓			
56188280000	2	Cylindrical pin EN 22338-8m6x28-A2	✓			
56047810000	1	Set screw DIN551 M8x16-PA 66	✓			
56444800000	1	Hexagon nut DIN439-M8-A2	✓			
38018660001	1	Magnet preass	✓	✓		
38084890000	1	Cap preass	✓			
38055378004	2	Hexagon nut	✓			
95972950002	0,001	Loctite 243 50 ml	✓			
38104363000	1	Interlock	✓			
96055070000	0,001	Grease PARALIQ GA 343	✓			
56984520000	1	Pan head screw DIN923 M5x4A2-70	✓			
71066180000	1	Blind plug BLK- M20	✓			
38014261002	1	Handle preass.	✓			
38053929003	1	Stop Bolt	✓			
57750700000	2	Retaining washer DIN6799-7	✓			
71169050000	4	Cable Clamp nylon 7,4mm NK-5N	✓			
38013665005	1	Ka Rd 12x24AWG 0,87m	✓			
57429100000	4	Hexagon screw DIN933 M4x10 A2-70	✓			
51488600000	1	Warning Plate Hand Injury 7.29K	✓			

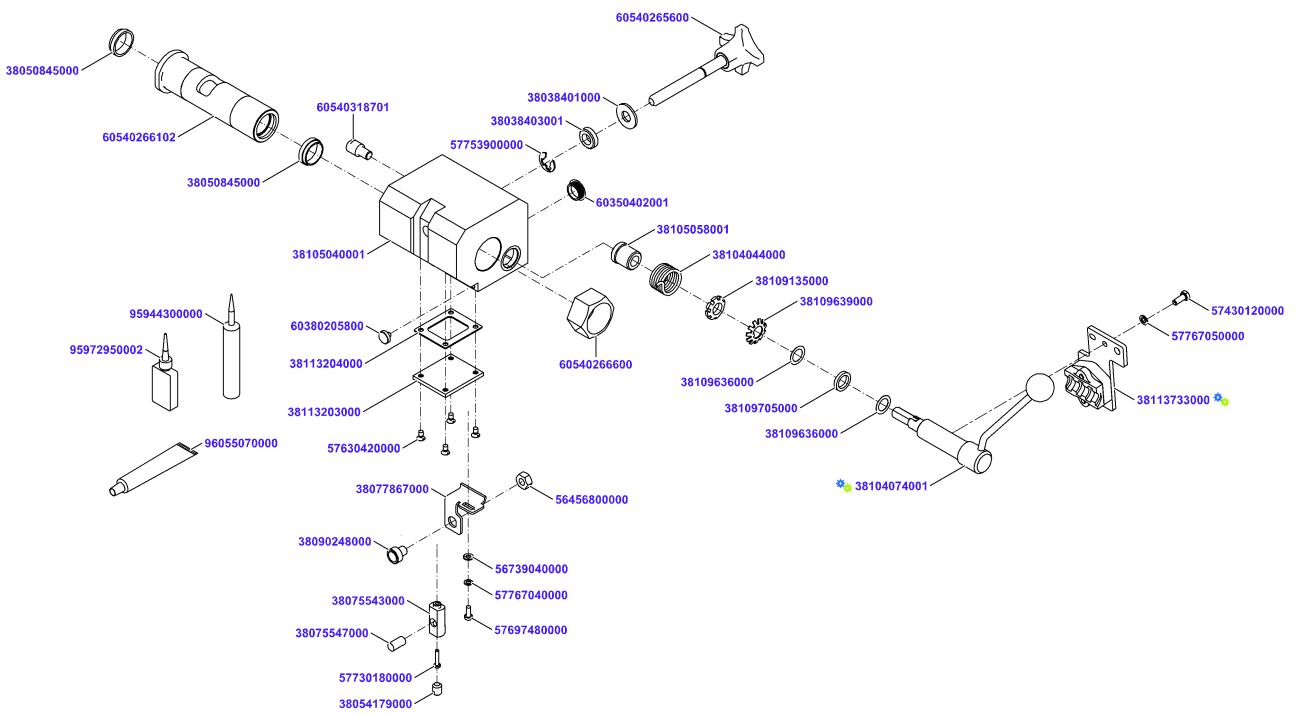
Product Holder cpl. VSI



Product Holder cpl. VSI

Material No.	Qty	Material description	available for order	Wear part	Recomm. sp. part	Metr. relevance
60540269601	1	product holder	✓			
60510200081	2	collar stud	✓			
60540269700	1	Side frame left	✓			
60540269800	1	Side frame right	✓			
38038982000	3	Gripper Shaft cpl.	✓			
38038989000	1	Gripper Shaft cpl.	✓			
60540269901	1	Gripper Shaft cpl	✓			
56086270000	1	Ball knob DIN319 M8x32 I	✓			
56243100000	5	Cylindrical pin EN 22338-3h11x10-A2	✓			
60510200037	5	Pinion	✓			
40510200086	2	Pressure spring	✓			
38071862000	2	brake pad	✓			
60540277600	4	self-tapping screw	✓			
38099356001	1	Holder preass.	✓			
60540270201	2	Cap nut M6	✓		✓	
95972950002	0,001	Loctite 243 50 ml	✓			
40530203201	1	push button	✓			
40530203302	1	sliding piece	✓	✓	✓	

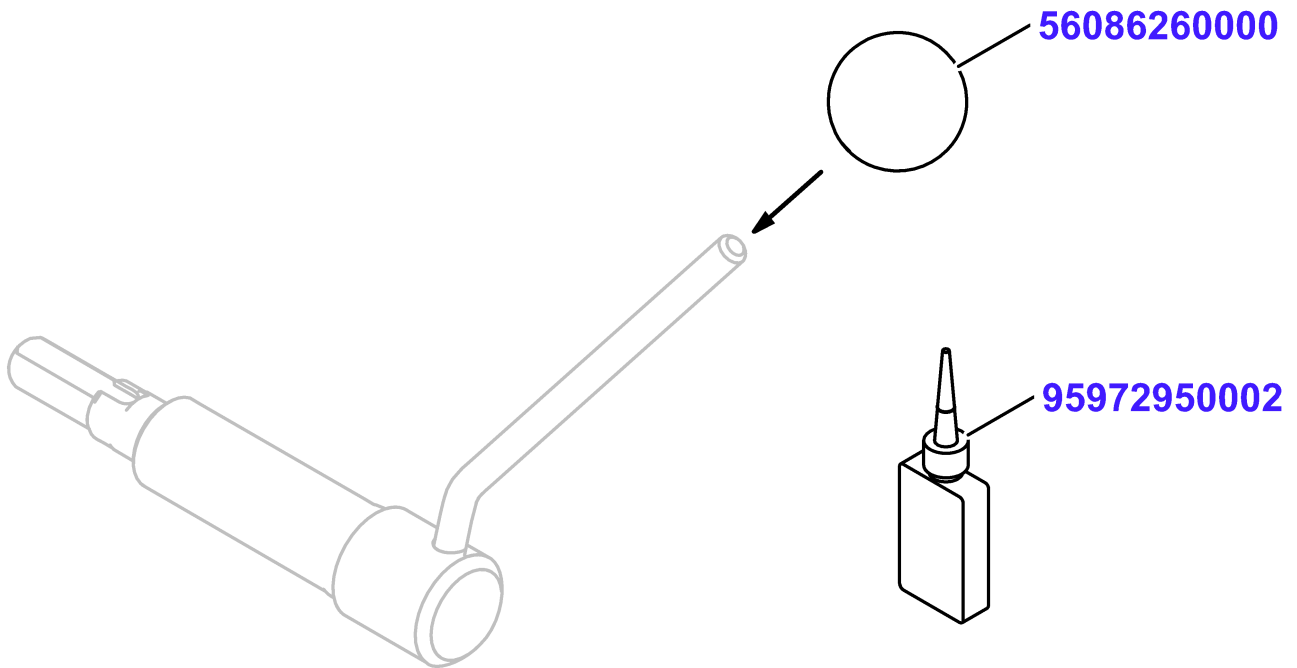
Product Holder Guide NSF cpl



Product Holder Guide NSF cpl

Material No.	Qty	Material description	available for order	Wear part	Recomm. sp. part	Metr. relevance
38105040001	1	Product Holder Guide	✓			
60540265600	1	locking lever mount.	✓			
38038401000	1	washer	✓			
38038403001	1	Bushing 19,1x10,7x5	✓			
57753900000	1	Retaining washer DIN6799-9	✓			
60540266102	1	Bushing complete	✓			
38050845000	2	Deflector Ring	✓			
60540266600	1	hex nut	✓			
38109705000	1	Shaft seal 12x18x3	✓			
38109636000	1	Shim ring DIN988-12x18x0,2	✓			
38104074001	1	Bolt NSF cpl	✓			
38109636000	1	Shim ring DIN988-12x18x0,2	✓			
38109639000	1	Safety plate DIN5406-MB1	✓			
38109135000	1	Grooved nut M12 x 0.5	✓			
38105058001	1	Bushing 19,5/18x10,2x21	✓			
38104044000	1	Torsion spring left	✓			
96055070000	0,005	Grease PARALIQ GA 343	✓			
38113733000	1	Holder preassembled	✓			
57767050000	1	Spring lock washer DIN128-A5-FSt	✓			
57430120000	1	Hexagon screw DIN933 M5x12 A2-70	✓			
60350402001	1	Protective plug	✓			
95944300000	0,005	Kitchen silicone ELASTO4710	✓			
38113203000	1	cover	✓			
38113204000	1	Seal 47x40x1	✓			
57630420000	4	Countersunk screw DIN963 M4x8-A2-70	✓			
38077867000	1	Magnet Base	✓			
38090248000	1	Magnet Vacodym 370 wz round 10x4 preass	✓			
56456800000	1	Hexagon nut DIN934-M8-A2	✓			
57697480000	1	Cylinder screw DIN84 M4x10-A2-70	✓			
56739040000	1	Washer DIN125-A 4.3-A2-70	✓			
57767040000	1	Spring lock washer DIN128-A4-FSt	✓			
38075543000	1	Mounting Pin	✓			
57730180000	1	Oval-head screw ISO14583 M3x16-A2-70-T10	✓			
38075547000	1	Parallel Pin 8x15	✓			
38054179000	1	Set screw DIN438 M8x10-A2-70	✓			
60380205800	1	SLIDE PIN	✓			
60540318701	1	stop pin	✓			
95972950002	0,001	Loctite 243 50 ml	✓			

Bolt NSF cpl

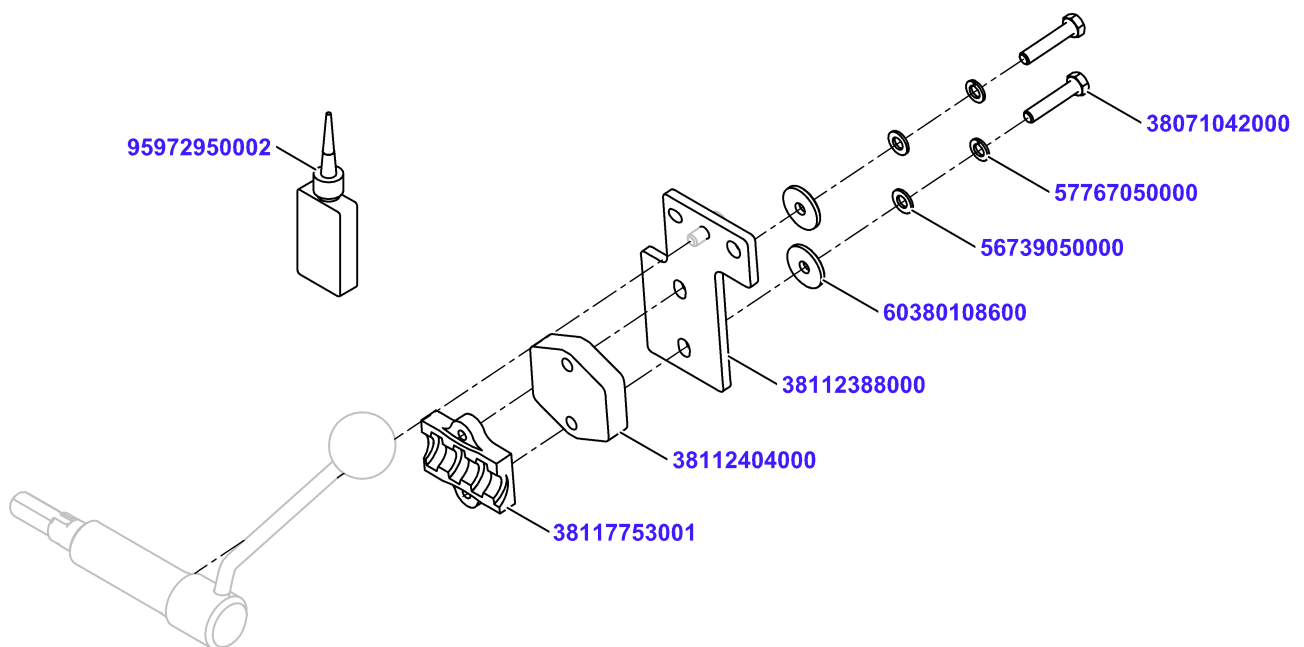


Bolt NSF cpl

Material No.	Qty	Material description
56086260000	1	Ball knob DIN319 M6x25 I
95972950002	0,001	Loctite 243 50 ml

available for order
Wear part
Recomm. sp. part
Metr. relevance

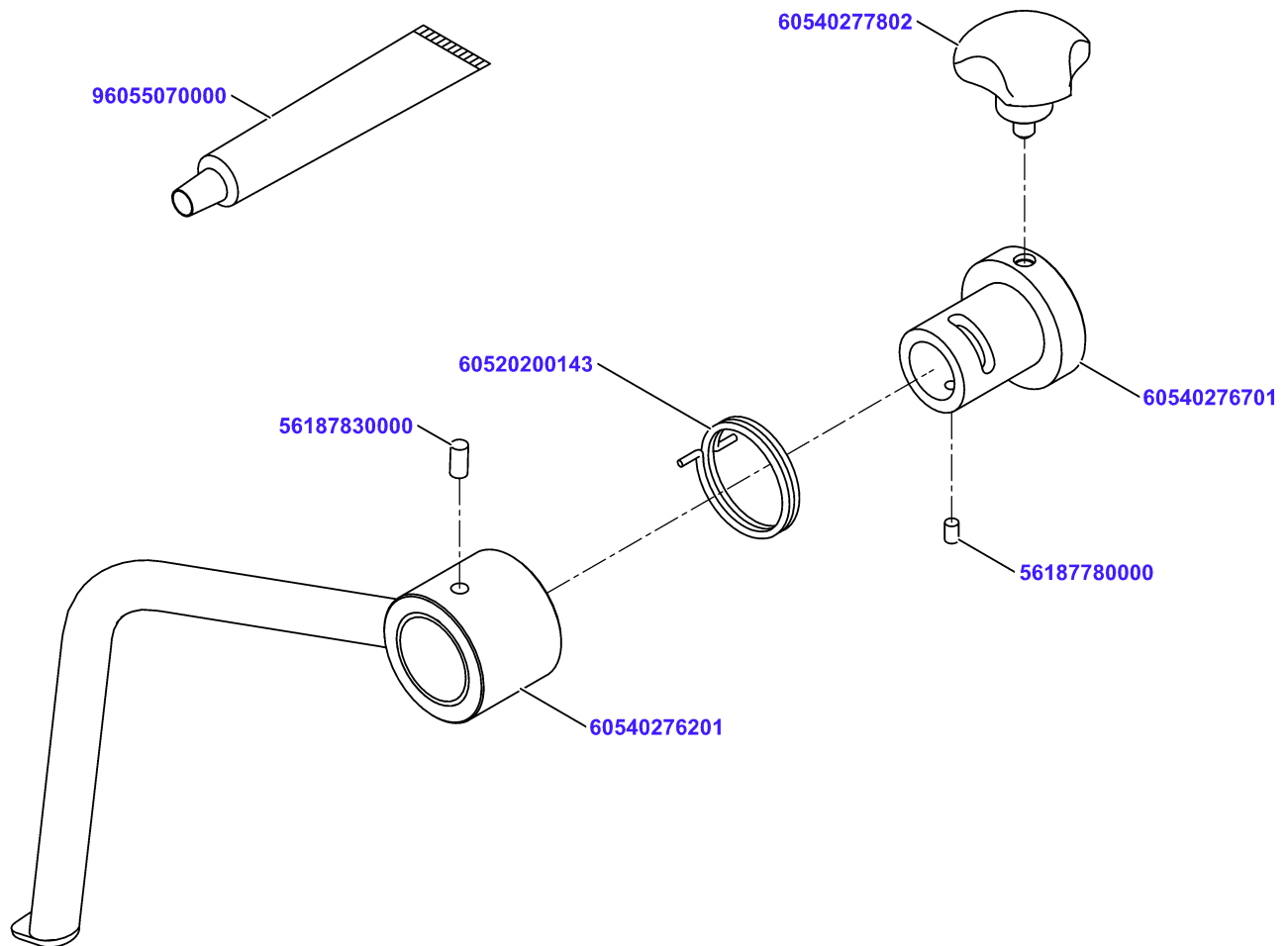
Holder preassembled



Holder preassembled

Material No.	Qty	Material description	available for order	Wear part	Recomm. sp. part	Metr. relevance
38112388000	1	Holder	✓			
38112404000	1	Spacer plate 40x40x10	✓			
38117753001	1	Nut Plate TR20X12P4	✓	✓	✓	
38071042000	2	Hexagon screw DIN933 M5x25 A2-70	✓			
60380108600	2	Washer	✓			
56739050000	2	Washer DIN125-A-5-A2	✓			
57767050000	2	Spring lock washer DIN128-A5-FSt	✓			
95972950002	0,001	Loctite 243 50 ml	✓			

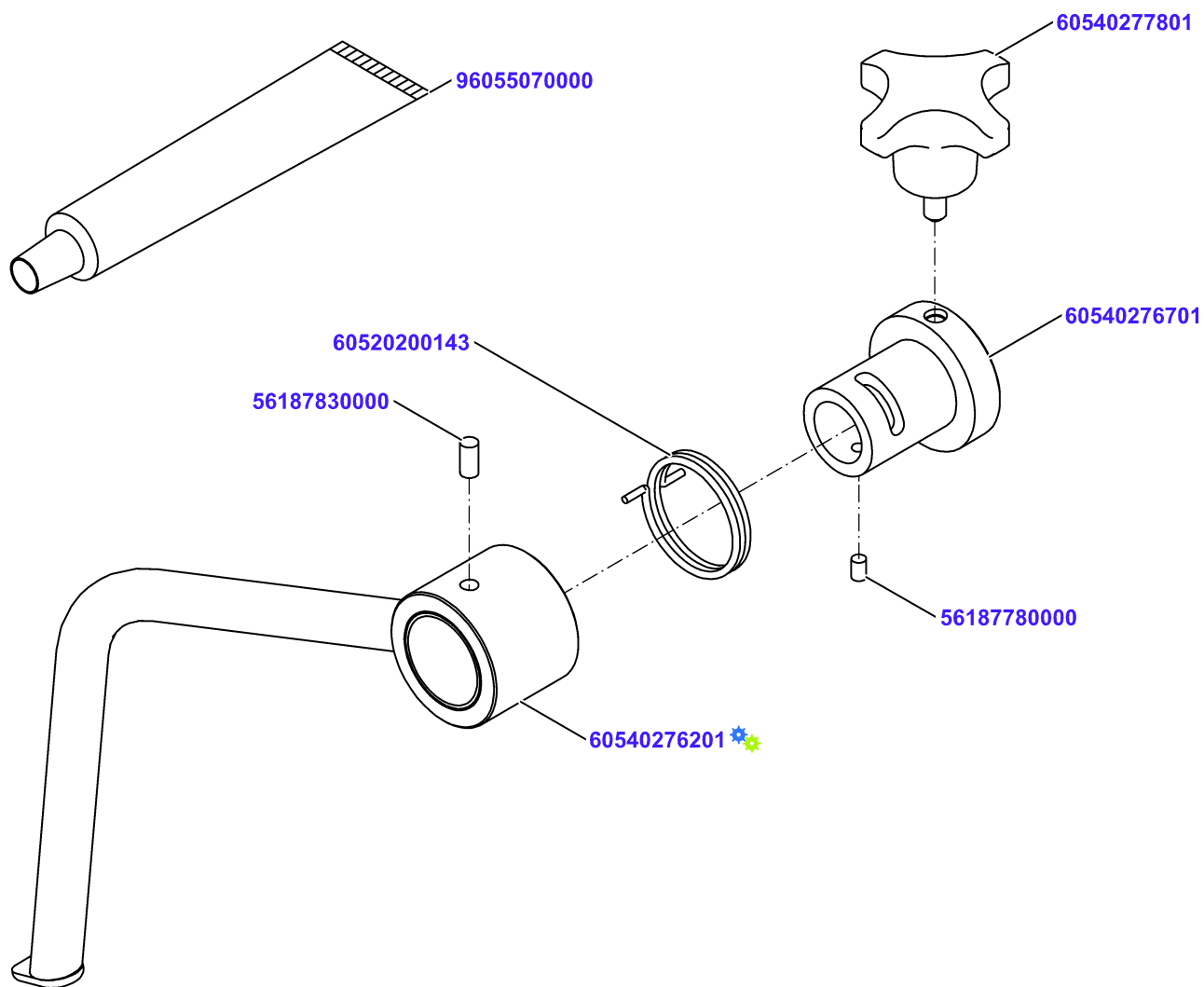
Holding Down Device ass.



Holding Down Device ass.

Material No.	Qty	Material description	available for order	Wear part	Recomm. sp. part	Metr. relevance
60540276201	1	Holding Down Device preass.				
56187830000	1	Cylindrical pin EN 22338-5m6x10-A2				
60540276701	1	hub				
60540277802	1	Handle with screw M6 x 13,55				
56187780000	1	Cylindrical pin EN 22338-4m6x6-A2				
60520200143	1	torsion spring				
96055070000	0,005	Grease PARALIQ GA 343				

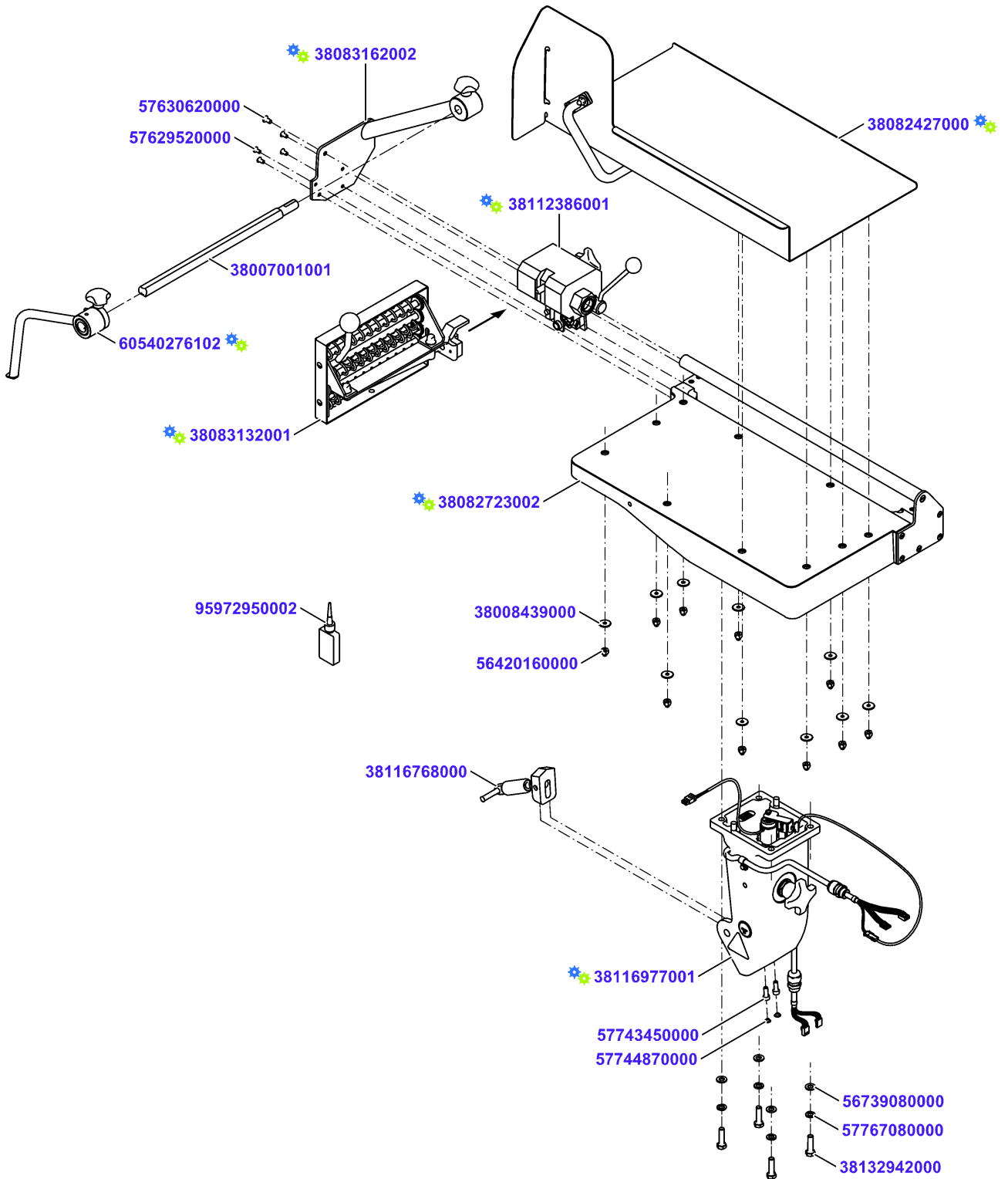
Holding Down Device ass.



Holding Down Device ass.

Material No.	Qty	Material description	available for order	Wear part	Recomm. sp. part	Metr. relevance
60540276201	1	Holding Down Device preass.				
56187830000	1	Cylindrical pin EN 22338-5m6x10-A2				
60540276701	1	hub				
56187780000	1	Cylindrical pin EN 22338-4m6x6-A2				
60520200143	1	torsion spring				
96055070000	0,005	Grease PARALIQ GA 343				

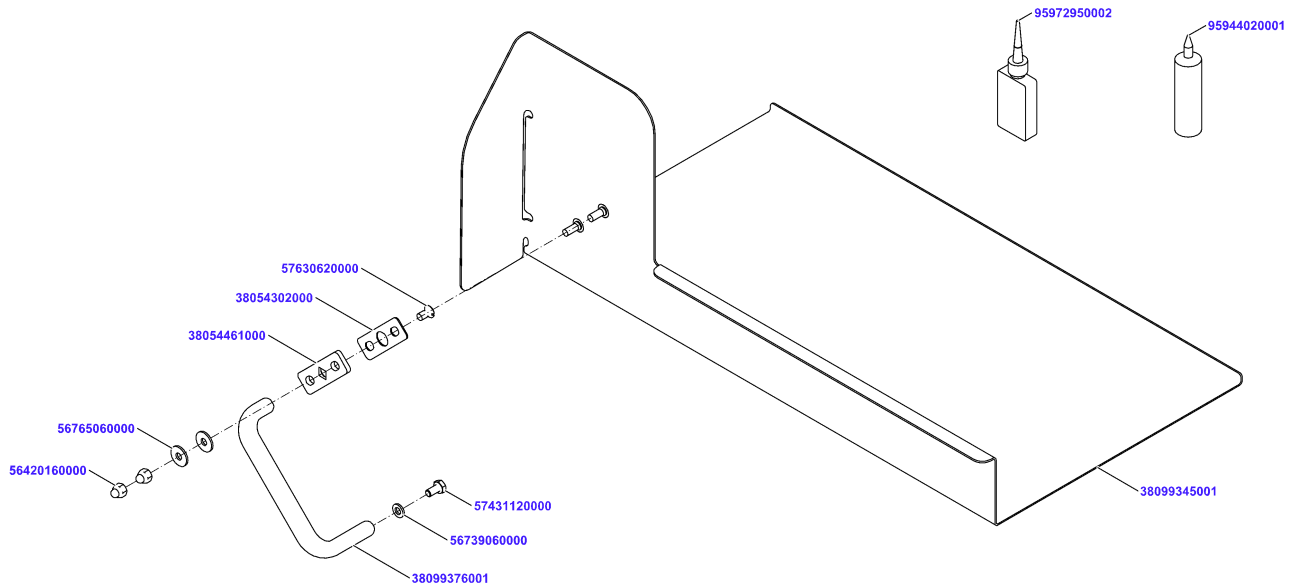
Carriage VSI 400 NSF



Carriage VSI 400 NSF

Material No.	Qty	Material description	available for order	Wear part	Recomm. sp. part	Metr. relevance
38082427000	1	Carriage Plate 400 preass	✓			
56420160000	10	Cap nut DIN986-M6-A2	✓			
38008439000	10	Sealing washer M6	✓		✓	
38082723002	1	Carriage 400 premounted				
38083162002	1	Product Supporter top NSF cpl				
57629520000	4	Countersunk screw DIN963 M5x10-A2-70	✓			
57630620000	1	Countersunk screw DIN963 M6x12-A2-70	✓			
38116977001	1	Carriage Foot high cpl.				
38132942000	4	Hexagon screw DIN 933 M8x28 A2-70	✓			
57767080000	4	Spring lock washer DIN128-A8-A2	✓			
38116768000	1	Gas pressure spring carriage 400 cpl	✓		✓	
57743450000	2	Cylinder screw DIN912 M6x16-A2-70	✓			
95972950002	0,001	Loctite 243 50 ml	✓			
57744870000	2	Protective plug 10x5,2x3,1-PE	✓		✓	
38083132001	1	Product Holder cpl. VSI				
38112386001	1	Product Holder Guide NSF cpl	✓			
38007001001	1	Axis 18x342	✓			
60540276102	1	Holding Down Device ass.	✓			

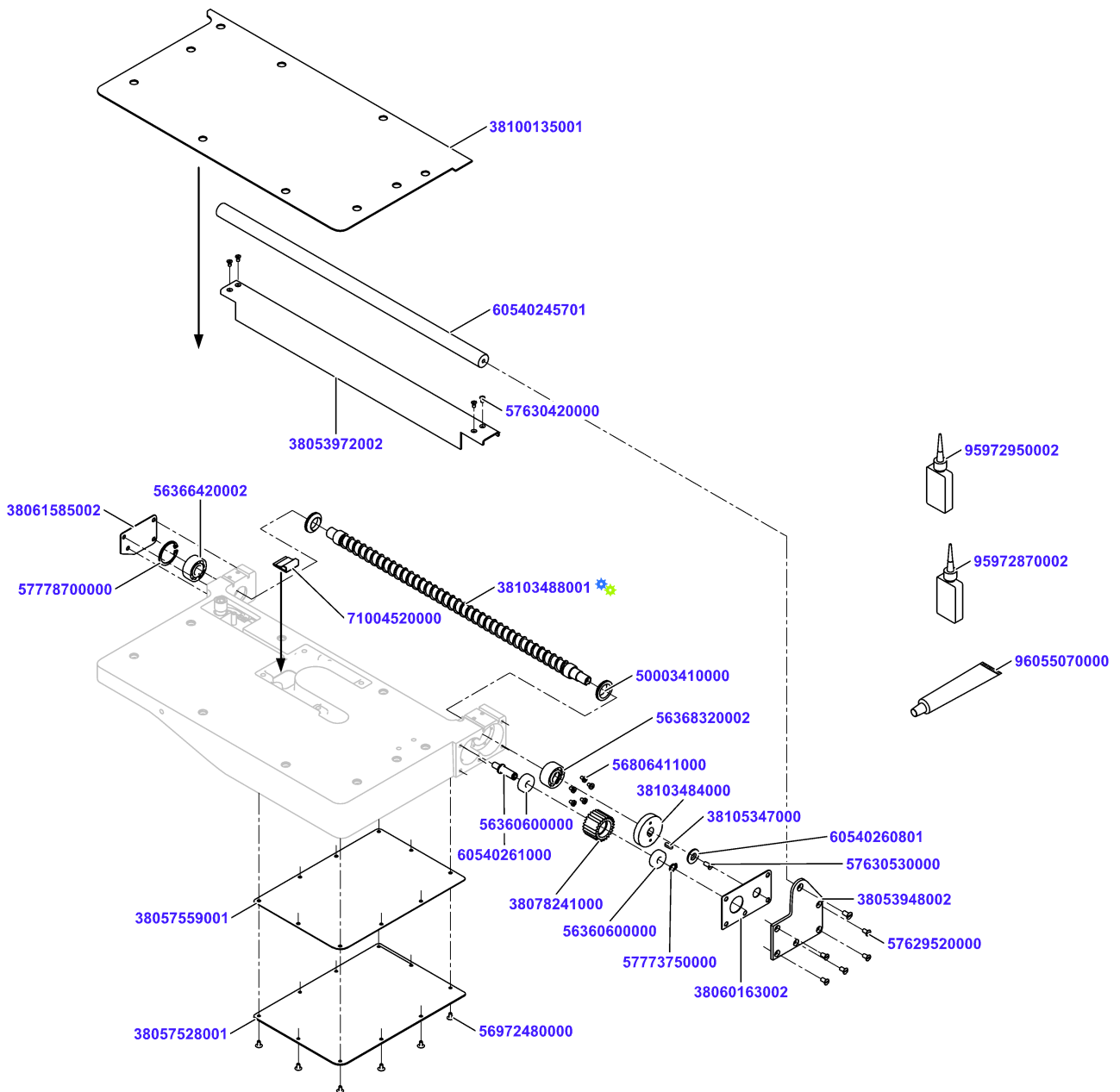
Carriage Plate 400 preass



Carriage Plate 400 preass

Material No.	Qty	Material description	available for order	Wear part	Recomm. sp. part	Metr. relevance
38099345001	1	Carriage Plate welded	✓			
38099376001	1	Handle	✓			
38054461000	1	Plate	✓			
38054302000	1	Gasket	✓		✓	
95944020001	10	Silicone Rubber Elastosil E41 90ml	✓			
57630620000	1	Countersunk screw DIN963 M6x12-A2-70	✓			
95972950002	0,001	Loctite 243 50 ml	✓			
56420160000	2	Cap nut DIN986-M6-A2	✓			
56765060000	2	Washer DIN9021-6-A2	✓			
57431120000	1	Hexagon screw DIN933 M6x12 A2-70	✓			
56739060000	1	Washer DIN125-A-6-A2	✓			

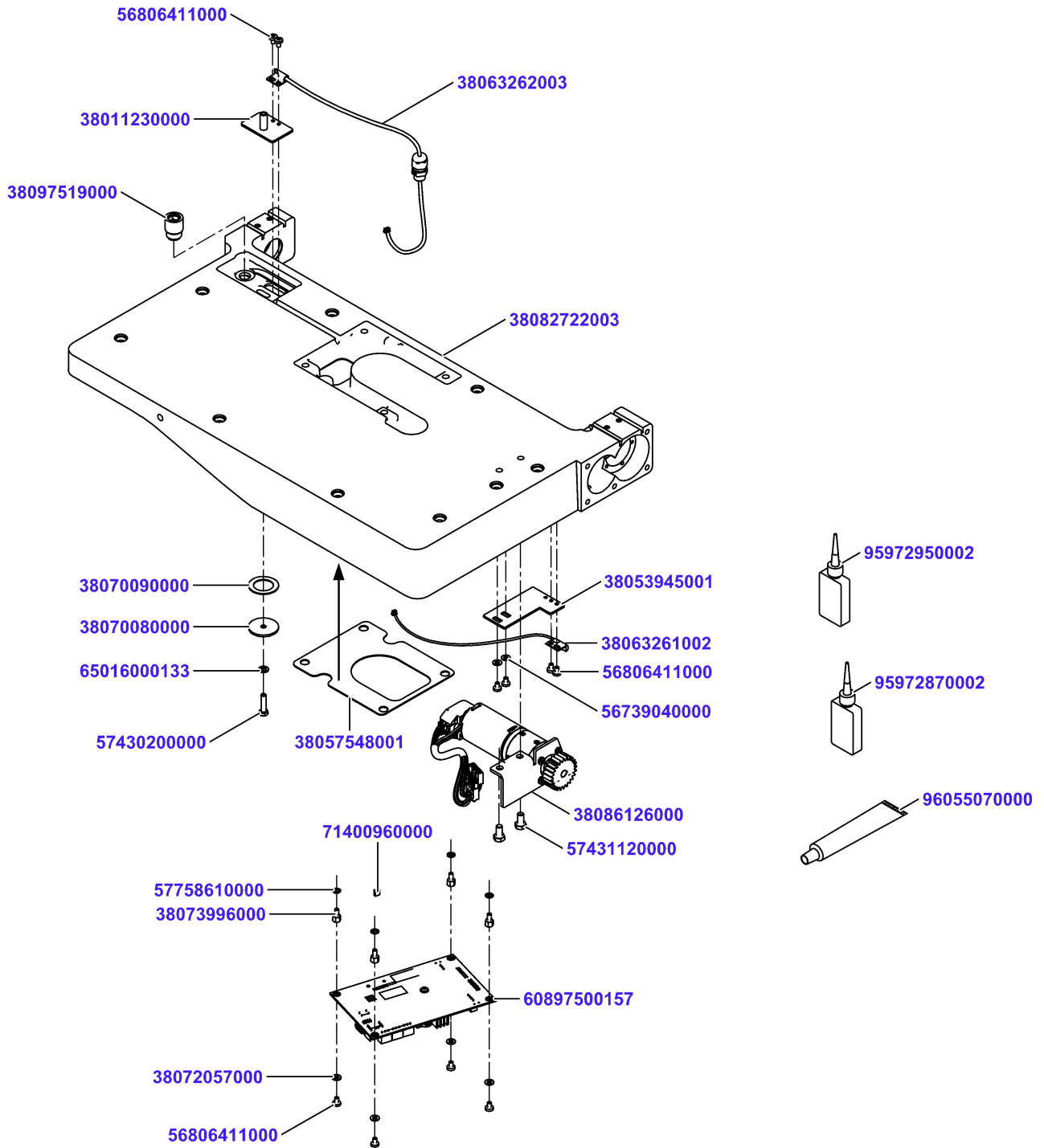
Carriage 400 premounted



Carriage 400 premounted

Material No.	Qty	Material description	available for order	Wear part	Recomm. sp. part	Metr. relevance
57778700000	1	Retaining ring DIN472-35x1,5	✓			
38103488001	1	Feedspindle 521xTR20x12 ass.	✓			
56806411000	5	Oval-head screw ISO14583 M4x6-A2-70-T20	✓			
95972950002	0,005	Loctite 243 50 ml	✓			
38103484000	1	Gear Wheel	✓			
38105347000	1	Parallel key DIN6885-A 5x3x14	✓			
60540260801	1	Washer	✓			
57630530000	1	Countersunk screw DIN963 M5x12-A2-70	✓			
95972950002	0,001	Loctite 243 50 ml	✓			
60540261000	1	bolt	✓			
38078241000	1	Gear Wheel	✓			
56360600000	2	Grooved ball bearing DIN625 10x26x8	✓			
57773750000	1	Retaining ring DIN471-10x1	✓			
38053972002	1	Guide Rail 400er	✓			
57630420000	4	Countersunk screw DIN963 M4x8-A2-70	✓			
56806411000	4	Oval-head screw ISO14583 M4x6-A2-70-T20	✓			
56806411000	2	Oval-head screw ISO14583 M4x6-A2-70-T20	✓			
71004520000	1	Flat Cabel Holder 3484-1000	✓			
95972870002	0,001	Loctite 638	✓			
56806411000	4	Oval-head screw ISO14583 M4x6-A2-70-T20	✓			
38053948002	1	Flange	✓			
38060163002	1	Sealing	✓		✓	
57629520000	5	Countersunk screw DIN963 M5x10-A2-70	✓			
38061585002	1	sealing	✓		✓	
60540245701	1	guide shaft	✓			
95972950002	0,001	Loctite 243 50 ml	✓			
38100135001	1	Flat Seal Carriage Plate 400	✓		✓	
38057528001	1	Cover 255,4x177,4x2	✓		✓	
38057559001	1	Seal Cover	✓		✓	
56972480000	10	Mushroom head screw M4x8-A2-70 Tuflok	✓			
50003410000	2	Wiper ring 30x20x7	✓			
56368320002	1	Angular bearing double-row 15x35x15,9	✓			
56366420002	1	Self-Aligning Ball Bearing 2202	✓			

Carriage 400 premounted










Carriage 400 premounted

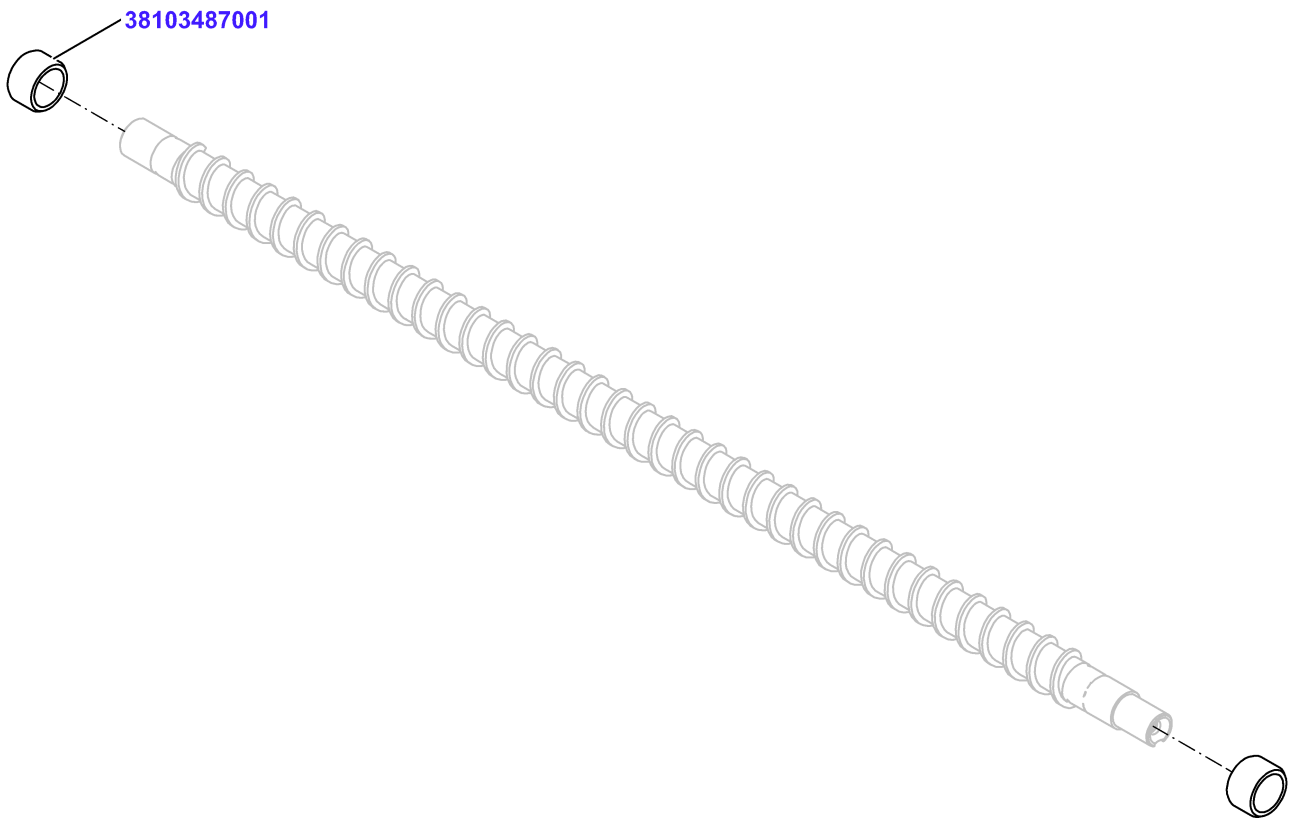
Material No.	Qty	Material description	available for order	Wear part	Recomm. sp. part	Metr. relevance
38082722003	1	Carriage Carrier 400 machined	✓			
56806411000	5	Oval-head screw ISO14583 M4x6-A2-70-T20	✓			
95972950002	0,005	Loctite 243 50 ml	✓			
95972950002	0,001	Loctite 243 50 ml	✓			
38053945001	1	Board	✓			
38063261002	1	Sensor product feeding 1 VSI	✓			
56806411000	4	Oval-head screw ISO14583 M4x6-A2-70-T20	✓			
56739040000	2	Washer DIN125-A 4.3-A2-70	✓			
38011230000	1	Board cpl	✓			
38063262003	1	Sensor product feeding 2 VSI	✓			
56806411000	2	Oval-head screw ISO14583 M4x6-A2-70-T20	✓			
38070080000	1	Washer	✓			
38070090000	1	Sealing	✓		✓	
57430200000	1	Hexagon screw DIN933 M5x20 A2-70	✓			
65016000133	1	Washer 5-PA	✓			
38097519000	1	Sleeve 18 x 10 x 24.25	✓			
95972870002	0,001	Loctite 638	✓			
38086126000	1	Motor Product Feeding BG42x15 cpl	✓			
57431120000	2	Hexagon screw DIN933 M6x12 A2-70	✓			
60897500157	1	PCBAP MC 3ph 2ch lv bus	✓			
71400960000	1	Short Circuit Bracket 3131 731000406	✓		✓	
57758610000	4	Toothed washer DIN6797-A 4,3-Fst	✓			
38073996000	4	Distance bolt SW7x6 M4-M4 In-Out	✓			
56806411000	4	Oval-head screw ISO14583 M4x6-A2-70-T20	✓			
38072057000	4	Washer DIN125-A-4-PA6	✓			
95972950002	0,001	Loctite 243 50 ml	✓			
38057548001	1	Seal	✓		✓	

Carriage 400 premounted

Carriage 400 premounted


Material No.	Qty	Material description	available for order	Wear part	Recomm. sp. part	Metr. relevance
96055080000	0,001	Kluebersynth UH1 64-62/25kg				
96055080000	0,001	Kluebersynth UH1 64-62/25kg				
96055080000	0,001	Kluebersynth UH1 64-62/25kg				
57630620000	1	Countersunk screw DIN963 M6x12-A2-70				
96055080000	0,001	Kluebersynth UH1 64-62/25kg				
96055080000	0,001	Kluebersynth UH1 64-62/25kg				
96055080000	0,001	Kluebersynth UH1 64-62/25kg				

Feedspindle 521xTR20x12 ass.

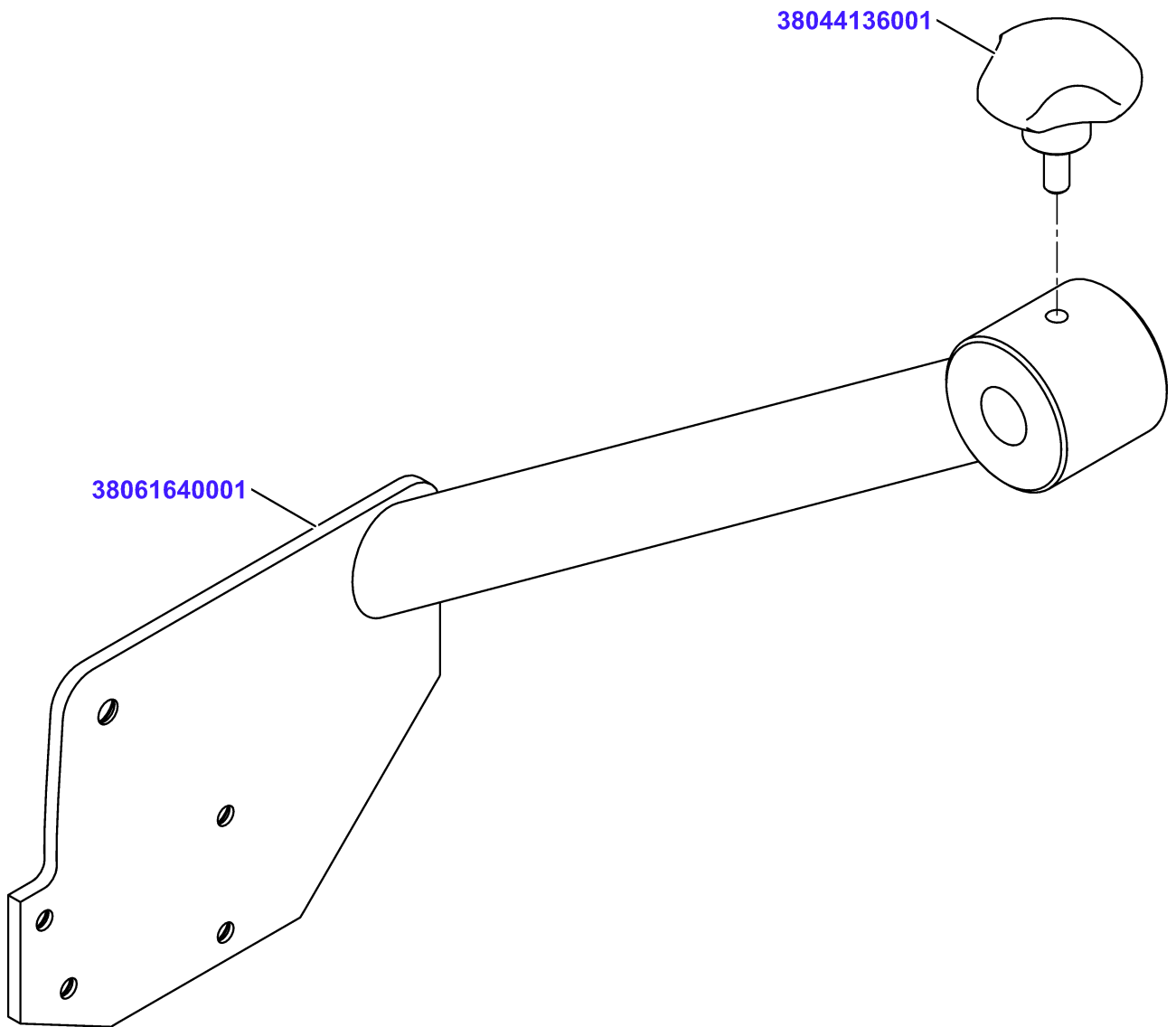


Feedspindle 521xTR20x12 ass.

Material No.	Qty	Material description
38103487001	2	Ring 12x20x15H7

	available for order
	Wear part
	Recomm. sp. part
	Metr. relevance

Product Supporter top NSF cpl

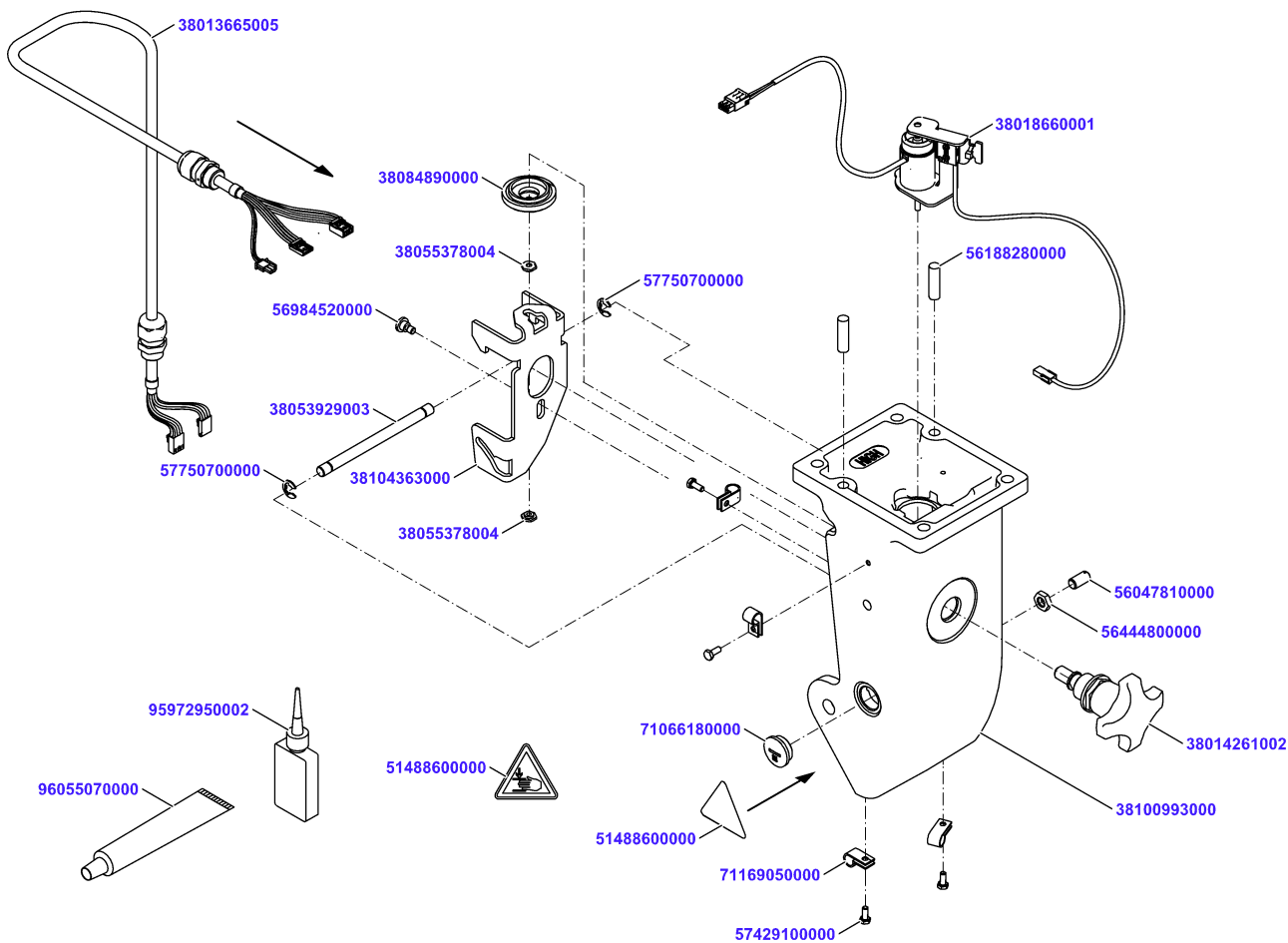


Product Supporter top NSF cpl

Material No.	Qty	Material description
38061640001	1	Mounting welded
38044136001	1	Handle with screw M6 x 14,75

available for order
Wear part
Recomm. sp. part
Metr. relevance

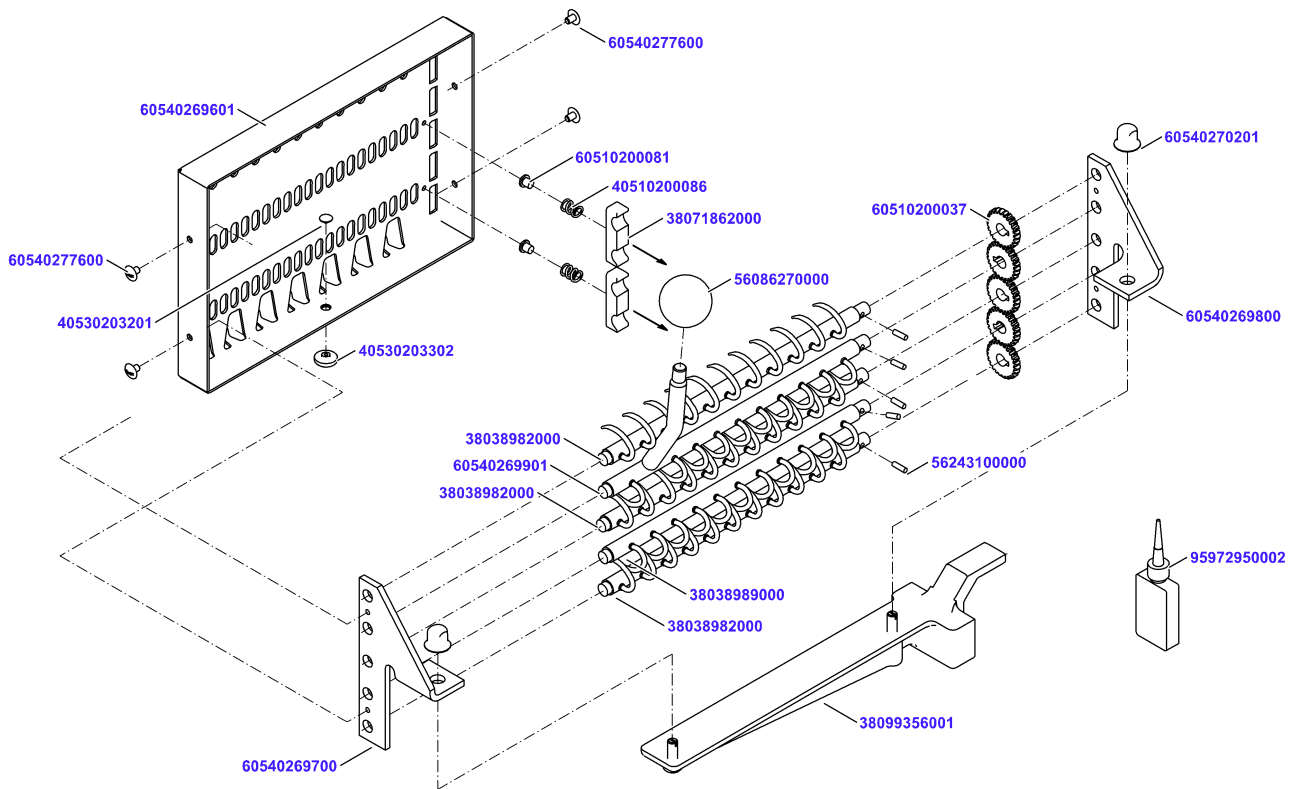
Carriage Foot high cpl.



Carriage Foot high cpl.

Material No.	Qty	Material description	available for order	Wear part	Recomm. sp. part	Metr. relevance
38100993000	1	Carriage Foot high hygienic mach	✓			
56188280000	2	Cylindrical pin EN 22338-8m6x28-A2	✓			
56047810000	1	Set screw DIN551 M8x16-PA 66	✓			
56444800000	1	Hexagon nut DIN439-M8-A2	✓			
38018660001	1	Magnet preass	✓	✓		
38084890000	1	Cap preass	✓			
38055378004	2	Hexagon nut	✓			
95972950002	0,001	Loctite 243 50 ml	✓			
38104363000	1	Interlock	✓			
96055070000	0,001	Grease PARALIQ GA 343	✓			
56984520000	1	Pan head screw DIN923 M5x4A2-70	✓			
71066180000	1	Blind plug BLK- M20	✓			
38014261002	1	Handle preass.	✓			
38053929003	1	Stop Bolt	✓			
57750700000	2	Retaining washer DIN6799-7	✓			
71169050000	4	Cable Clamp nylon 7,4mm NK-5N	✓			
38013665005	1	Ka Rd 12x24AWG 0,87m	✓			
57429100000	4	Hexagon screw DIN933 M4x10 A2-70	✓			
51488600000	1	Warning Plate Hand Injury 7.29K	✓			

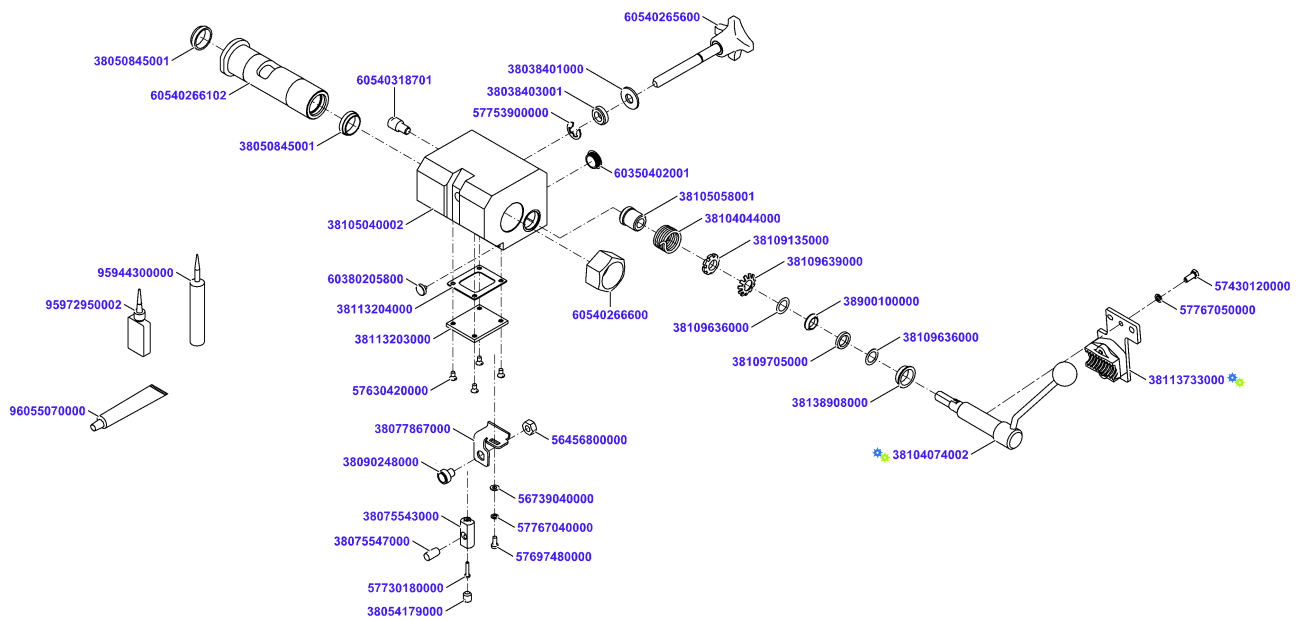
Product Holder cpl. VSI



Product Holder cpl. VSI

Material No.	Qty	Material description	available for order	Wear part	Recomm. sp. part	Metr. relevance
60540269601	1	product holder	✓			
60510200081	2	collar stud	✓			
60540269700	1	Side frame left	✓			
60540269800	1	Side frame right	✓			
38038982000	3	Gripper Shaft cpl.	✓			
38038989000	1	Gripper Shaft cpl.	✓			
60540269901	1	Gripper Shaft cpl	✓			
56086270000	1	Ball knob DIN319 M8x32 I	✓			
56243100000	5	Cylindrical pin EN 22338-3h11x10-A2	✓			
60510200037	5	Pinion	✓			
40510200086	2	Pressure spring	✓			
38071862000	2	brake pad	✓			
60540277600	4	self-tapping screw	✓			
38099356001	1	Holder preass.	✓			
60540270201	2	Cap nut M6	✓		✓	
95972950002	0,001	Loctite 243 50 ml	✓			
40530203201	1	push button	✓			
40530203302	1	sliding piece	✓	✓	✓	

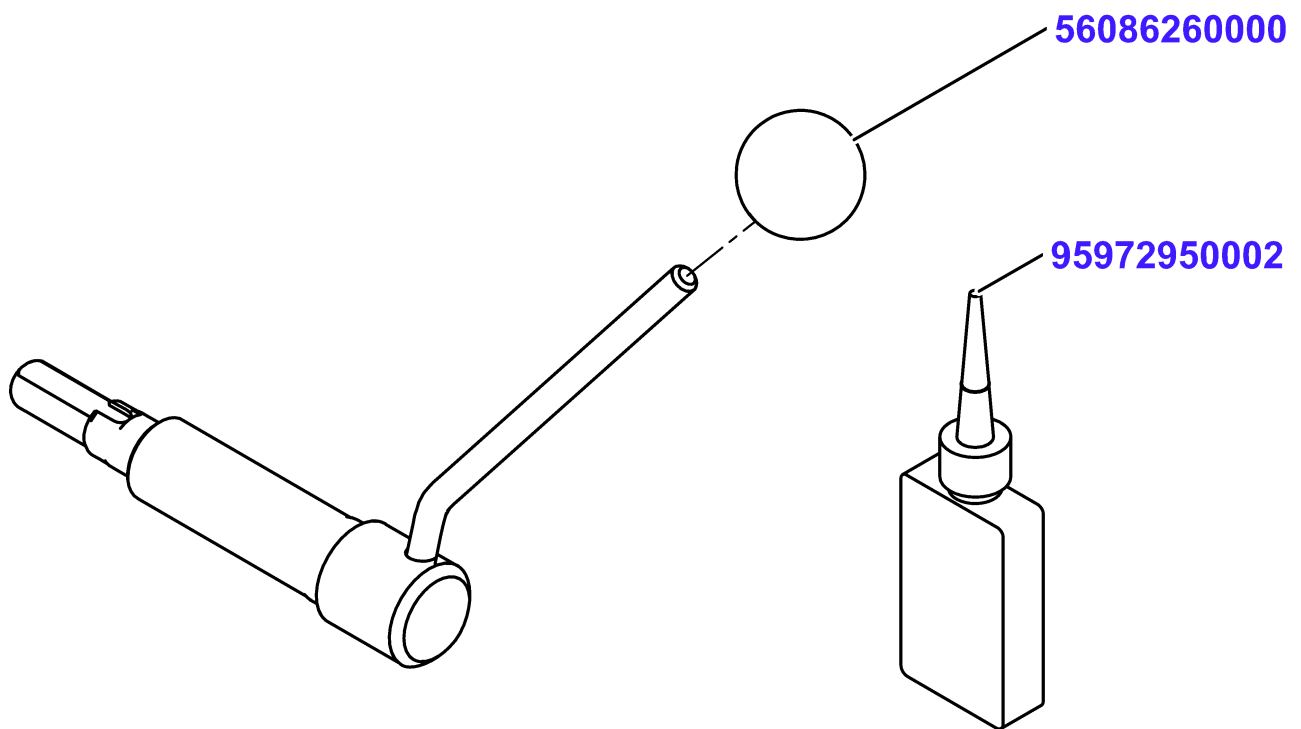
Product Holder Guide NSF cpl



Product Holder Guide NSF cpl

Material No.	Qty	Material description	available for order	Wear part	Recomm. sp. part	Metr. relevance
38105040002	1	Product Holder Guide NSF				
60540265600	1	locking lever mount.				
38038401000	1	washer				
38038403001	1	Bushing 19,1x10,7x5				
57753900000	1	Retaining washer DIN6799-9				
60540266102	1	Bushing complete				
38050845001	2	Deflector ring 25x20,2x7				
60540266600	1	hex nut				
38109705000	1	Shaft seal 12x18x3				
38109636000	1	Shim ring DIN988-12x18x0,2				
38104074002	1	Bolt NSF cpl				
38109636000	1	Shim ring DIN988-12x18x0,2				
38109639000	1	Safety plate DIN5406-MB1				
38109135000	1	Grooved nut M12 x 0.5				
38105058001	1	Bushing 19,5/18x10,2x21				
38104044000	1	Torsion spring left				
96055070000	0,005	Grease PARALIQ GA 343				
38113733000	1	Holder preassembled				
57767050000	1	Spring lock washer DIN128-A5-FSt				
57430120000	1	Hexagon screw DIN933 M5x12 A2-70				
60350402001	1	Protective plug				
95944300000	0,005	Kitchen silicone ELASTO4710				
38113203000	1	cover				
38113204000	1	Seal 47x40x1				
57630420000	4	Countersunk screw DIN963 M4x8-A2-70				
38077867000	1	Magnet Base				
38090248000	1	Magnet Vacodym 370 wz round 10x4 preass				
56456800000	1	Hexagon nut DIN934-M8-A2				
57697480000	1	Cylinder screw DIN84 M4x10-A2-70				
56739040000	1	Washer DIN125-A 4.3-A2-70				
57767040000	1	Spring lock washer DIN128-A4-FSt				
38075543000	1	Mounting Pin				
57730180000	1	Oval-head screw ISO14583 M3x16-A2-70-T10				
38075547000	1	Parallel Pin 8x15				
38054179000	1	Set screw DIN438 M8x10-A2-70				
60380205800	1	SLIDE PIN				
60540318701	1	stop pin				
95972950002	0,001	Loctite 243 50 ml				
38900100000	1	Plain bearing w. flange 12x18x14x4				
38138908000	1	Plain bearing w. flange 18x24x20x7				

Bolt NSF cpl

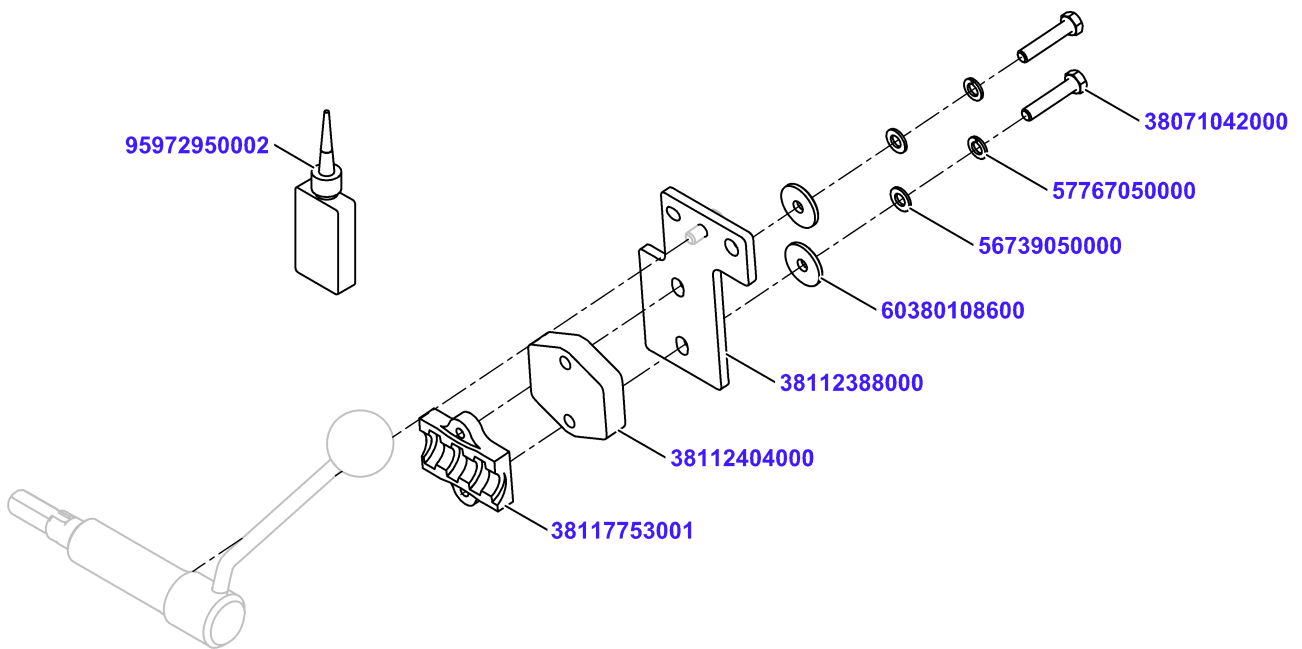


Bolt NSF cpl

Material No.	Qty	Material description
56086260000	1	Ball knob DIN319 M6x25 I
95972950002	0,001	Loctite 243 50 ml

available for order
Wear part
Recomm. sp. part
Metr. relevance

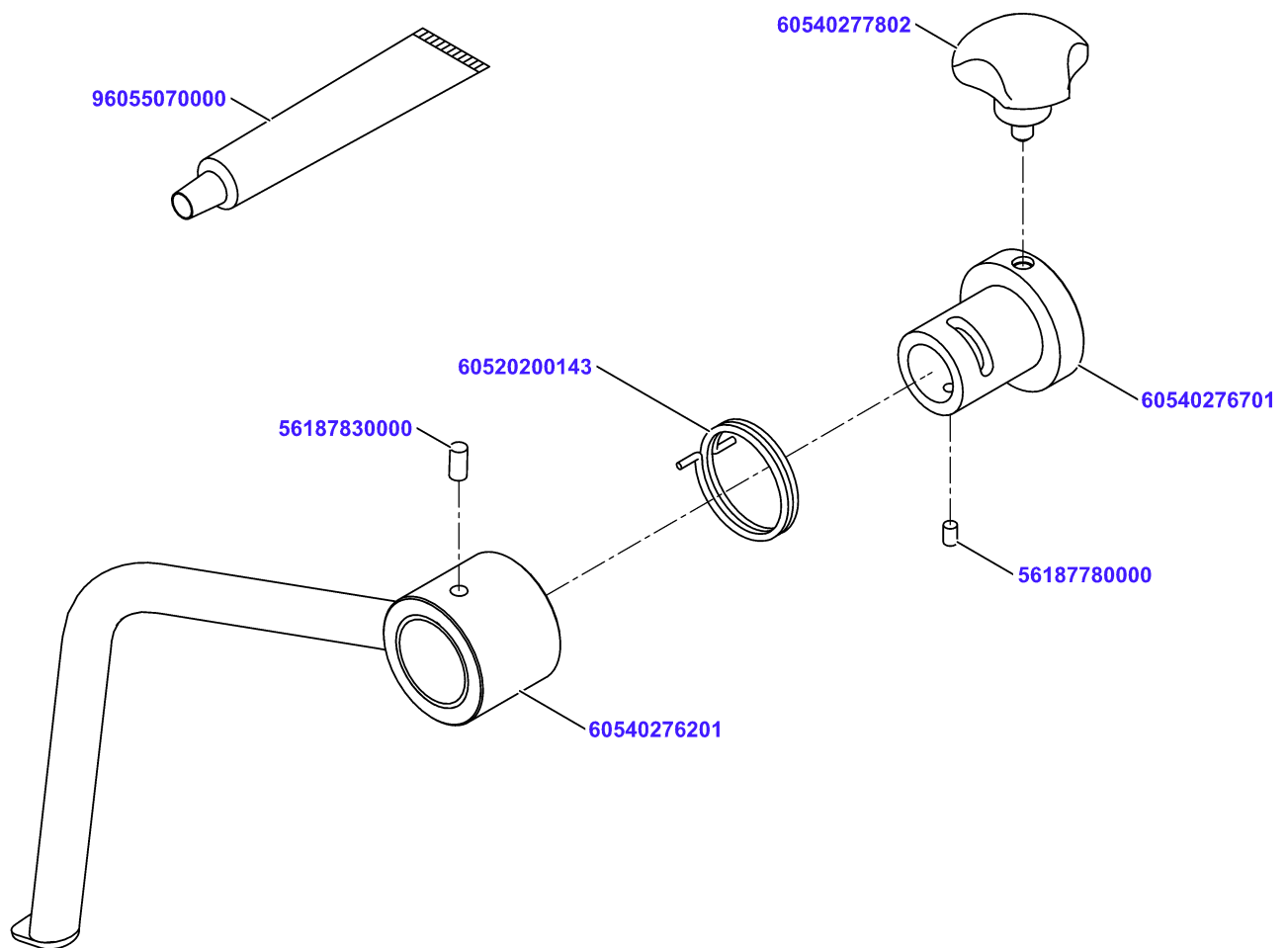
Holder preassembled



Holder preassembled

Material No.	Qty	Material description	available for order	Wear part	Recomm. sp. part	Metr. relevance
38112388000	1	Holder	✓			
38112404000	1	Spacer plate 40x40x10	✓			
38117753001	1	Nut Plate TR20X12P4	✓	✓	✓	
38071042000	2	Hexagon screw DIN933 M5x25 A2-70	✓			
60380108600	2	Washer	✓			
56739050000	2	Washer DIN125-A-5-A2	✓			
57767050000	2	Spring lock washer DIN128-A5-FSt	✓			
95972950002	0,001	Loctite 243 50 ml	✓			

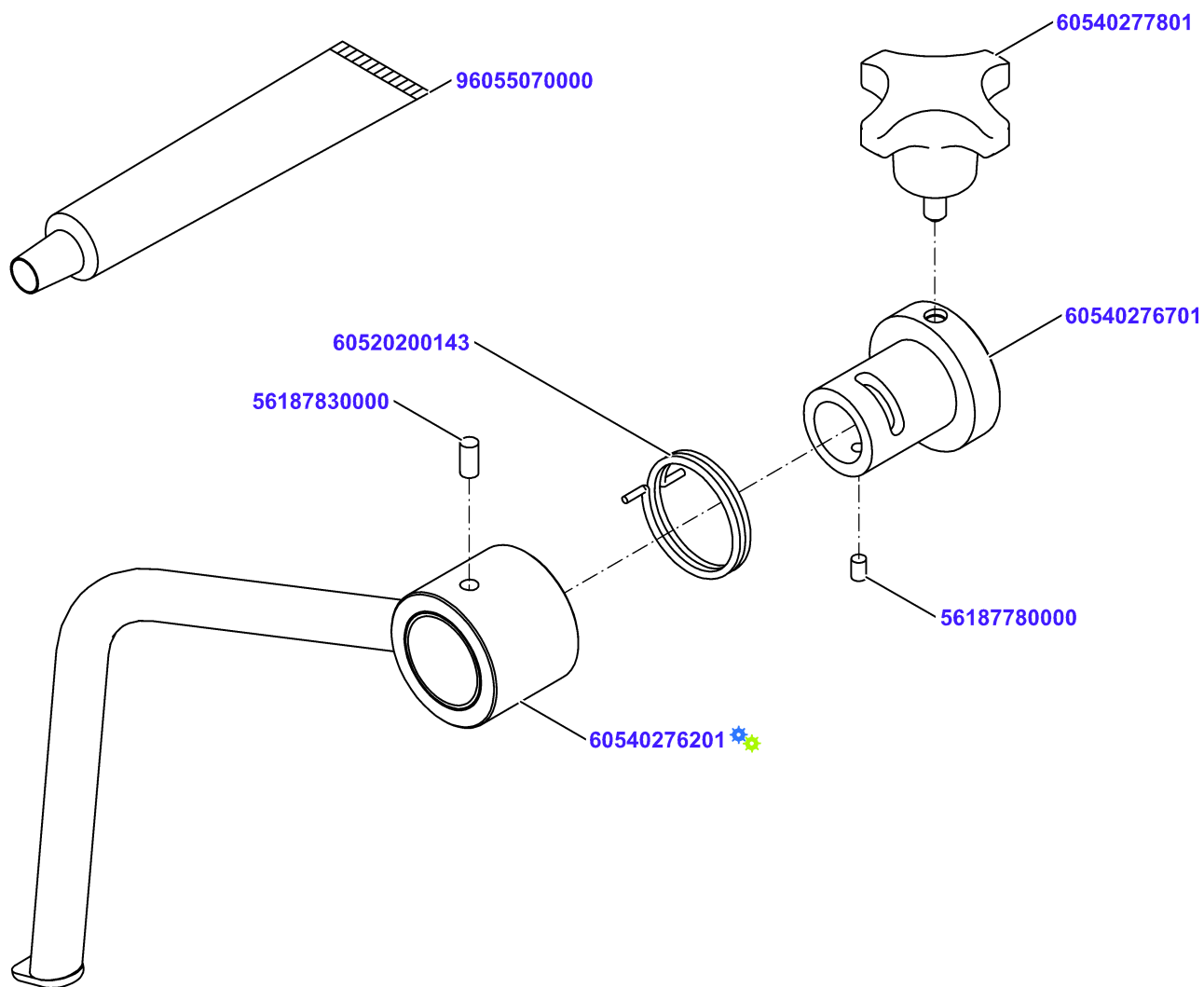
Holding Down Device ass.



Holding Down Device ass.

Material No.	Qty	Material description	available for order	Wear part	Recomm. sp. part	Metr. relevance
60540276201	1	Holding Down Device preass.				
56187830000	1	Cylindrical pin EN 22338-5m6x10-A2				
60540276701	1	hub				
60540277802	1	Handle with screw M6 x 13,55				
56187780000	1	Cylindrical pin EN 22338-4m6x6-A2				
60520200143	1	torsion spring				
96055070000	0,005	Grease PARALIQ GA 343				

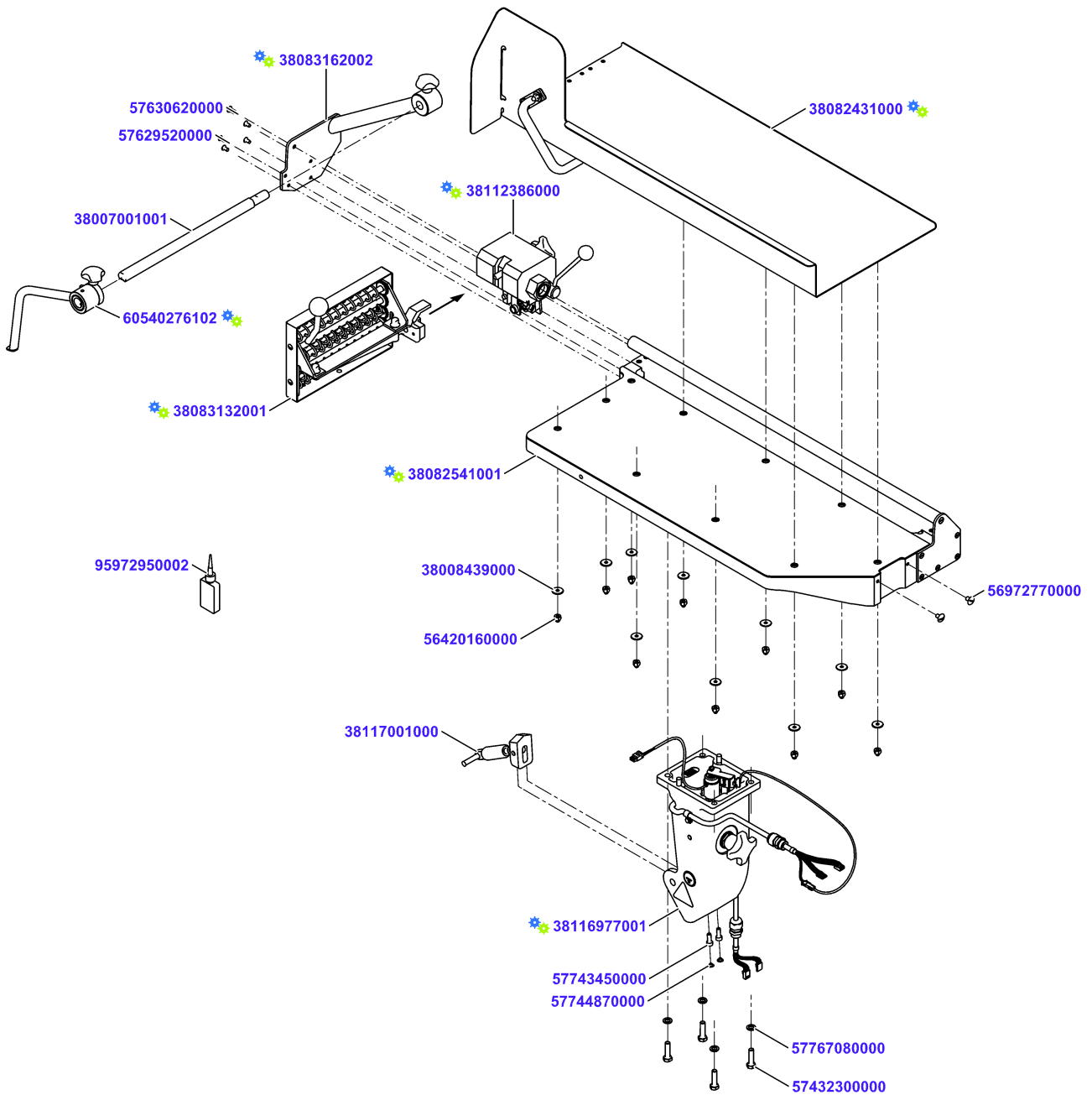
Holding Down Device ass.



Holding Down Device ass.

Material No.	Qty	Material description	available for order	Wear part	Recomm. sp. part	Metr. relevance
60540276201	1	Holding Down Device preass.				
56187830000	1	Cylindrical pin EN 22338-5m6x10-A2				
60540276701	1	hub				
56187780000	1	Cylindrical pin EN 22338-4m6x6-A2				
60520200143	1	torsion spring				
96055070000	0,005	Grease PARALIQ GA 343				

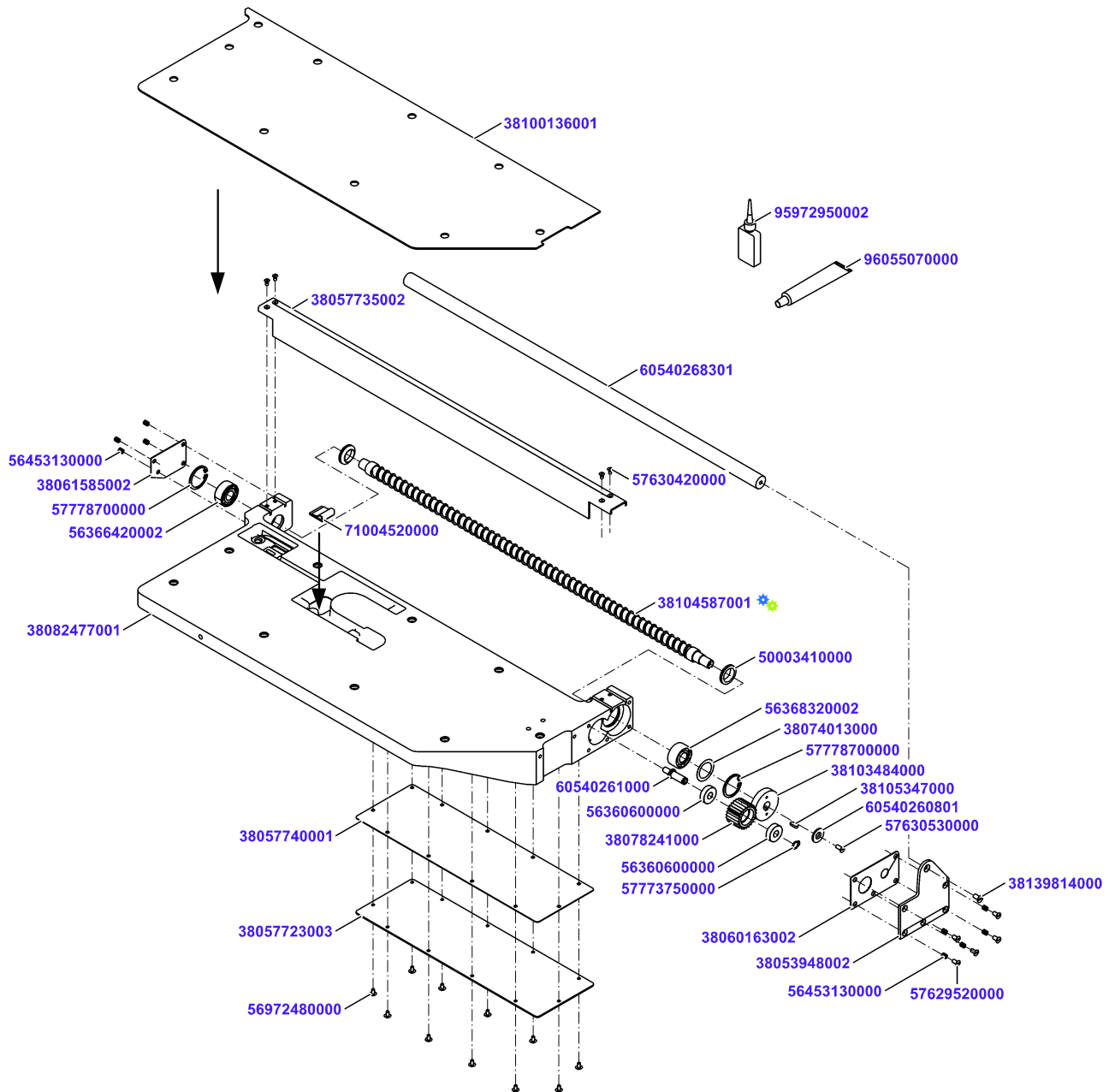
Carriage 600 NSF



Carriage 600 NSF

Material No.	Qty	Material description	available for order	Wear part	Recomm. sp. part	Metr. relevance
38082541001	1	Carriage 600 cpl.				
38082431000	1	Carriage Plate Template preass	✓			
56420160000	10	Cap nut DIN986-M6-A2	✓			
38008439000	10	Sealing washer M6	✓		✓	
56972770000	2	Mushroom head screw M6x10-A2-70	✓			
38083162002	1	Product Supporter top NSF cpl				
57629520000	4	Countersunk screw DIN963 M5x10-A2-70	✓			
95972950002	0,001	Loctite 243 50 ml	✓			
57630620000	1	Countersunk screw DIN963 M6x12-A2-70	✓			
38116977001	1	Carriage Foot high cpl.				
57432300000	4	Hexagon screw DIN933 M8x30 A2-70	✓			
57767080000	4	Spring lock washer DIN128-A8-A2	✓			
38117001000	1	Gas pressure spring carriage 600 cpl	✓		✓	
57743450000	2	Cylinder screw DIN912 M6x16-A2-70	✓			
57744870000	2	Protective plug 10x5,2x3,1-PE	✓		✓	
38083132001	1	Product Holder cpl. VSI				
38112386000	1	Product Holder Guide NSF cpl	✓			
38007001001	1	Axis 18x342	✓			
60540276102	1	Holding Down Device ass.	✓			

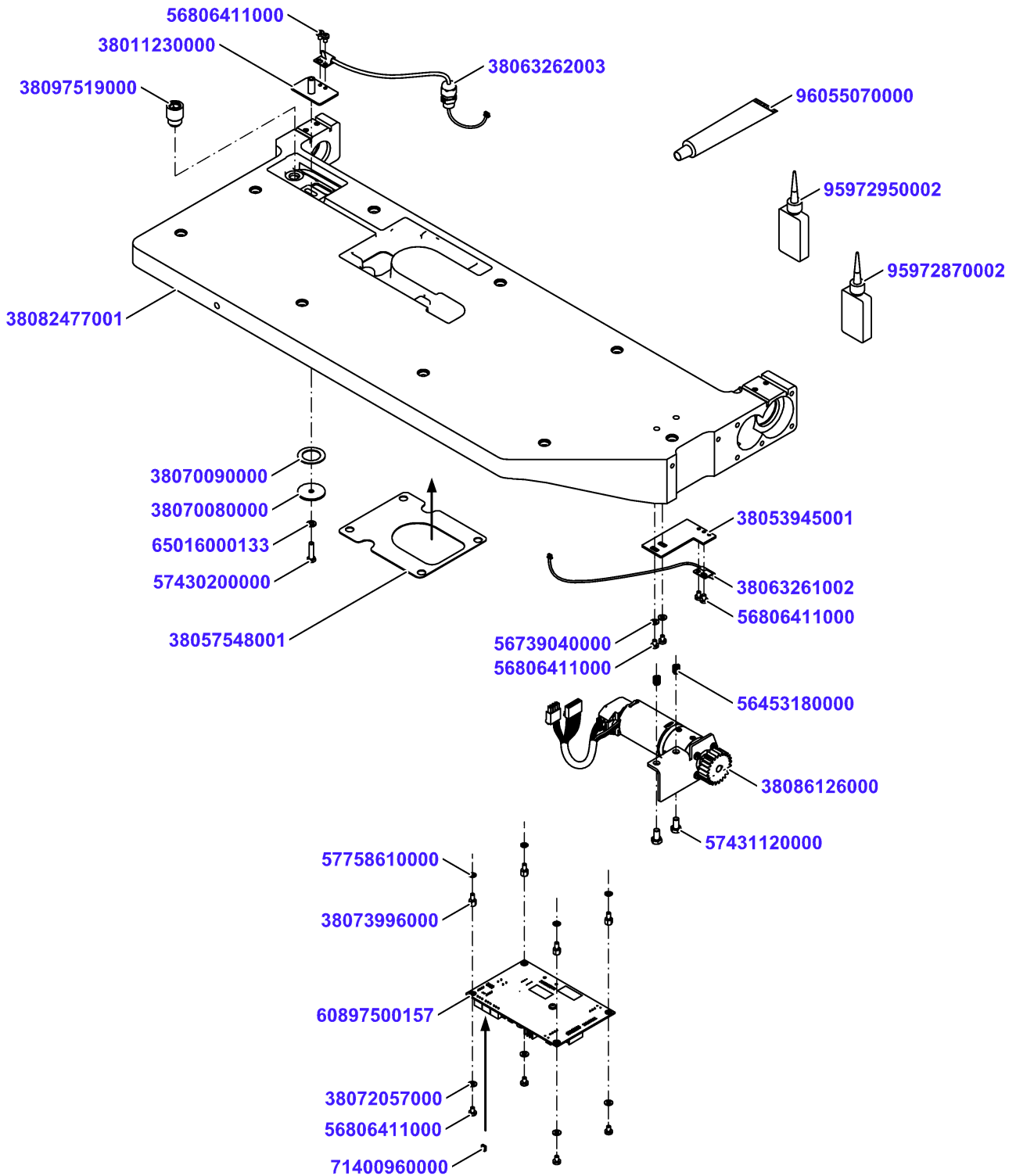
Carriage 600 cpl.



Carriage 600 cpl.

Material No.	Qty	Material description	available for order	Wear part	Recomm. sp. part	Metr. relevance
38082477001	1	Carriage 600 cast machined	✓			
56453130000	9	Thread insert M5x7,5-A2	✓			
56366420002	1	Self-Aligning Ball Bearing 2202	✓			
57778700000	1	Retaining ring DIN472-35x1,5	✓			
50003410000	1	Wiper ring 30x20x7	✓			
38104587001	1	Feedspindle 721xTR20X12 ass.	✓			
50003410000	1	Wiper ring 30x20x7	✓			
56368320002	1	Angular bearing double-row 15x35x15,9	✓			
57778700000	1	Retaining ring DIN472-35x1,5	✓			
38074013000	1	Shim ring DIN988-25x35x0,1	✓			
38103484000	1	Gear Wheel	✓			
96055070000	0,001	Grease PARALIQ GA 343	✓			
38105347000	1	Parallel key DIN6885-A 5x3x14	✓			
60540260801	1	Washer	✓			
57630530000	1	Countersunk screw DIN963 M5x12-A2-70	✓			
95972950002	0,001	Loctite 243 50 ml	✓			
60540261000	1	bolt	✓			
38078241000	1	Gear Wheel	✓			
56360600000	2	Grooved ball bearing DIN625 10x26x8	✓			
57773750000	1	Retaining ring DIN471-10x1	✓			
38057735002	1	Guide Rail 600er	✓			
57630420000	4	Countersunk screw DIN963 M4x8-A2-70	✓			
71004520000	1	Flat Cabel Holder 3484-1000	✓			
38053948002	1	Flange	✓			
38060163002	1	Sealing	✓		✓	
57629520000	5	Countersunk screw DIN963 M5x10-A2-70	✓			
38061585002	1	sealing	✓		✓	
60540268301	1	guide shaft	✓			
38139814000	1	Screw DIN963 M6x12-A2 - Precote 80-8	✓		✓	
38100136001	1	Flat Seal Carriage Plate 600	✓		✓	
38057723003	1	Cover 378x119,1x2	✓			
38057740001	1	Seal long	✓		✓	
56972480000	11	Mushroom head screw M4x8-A2-70 Tuflok	✓			

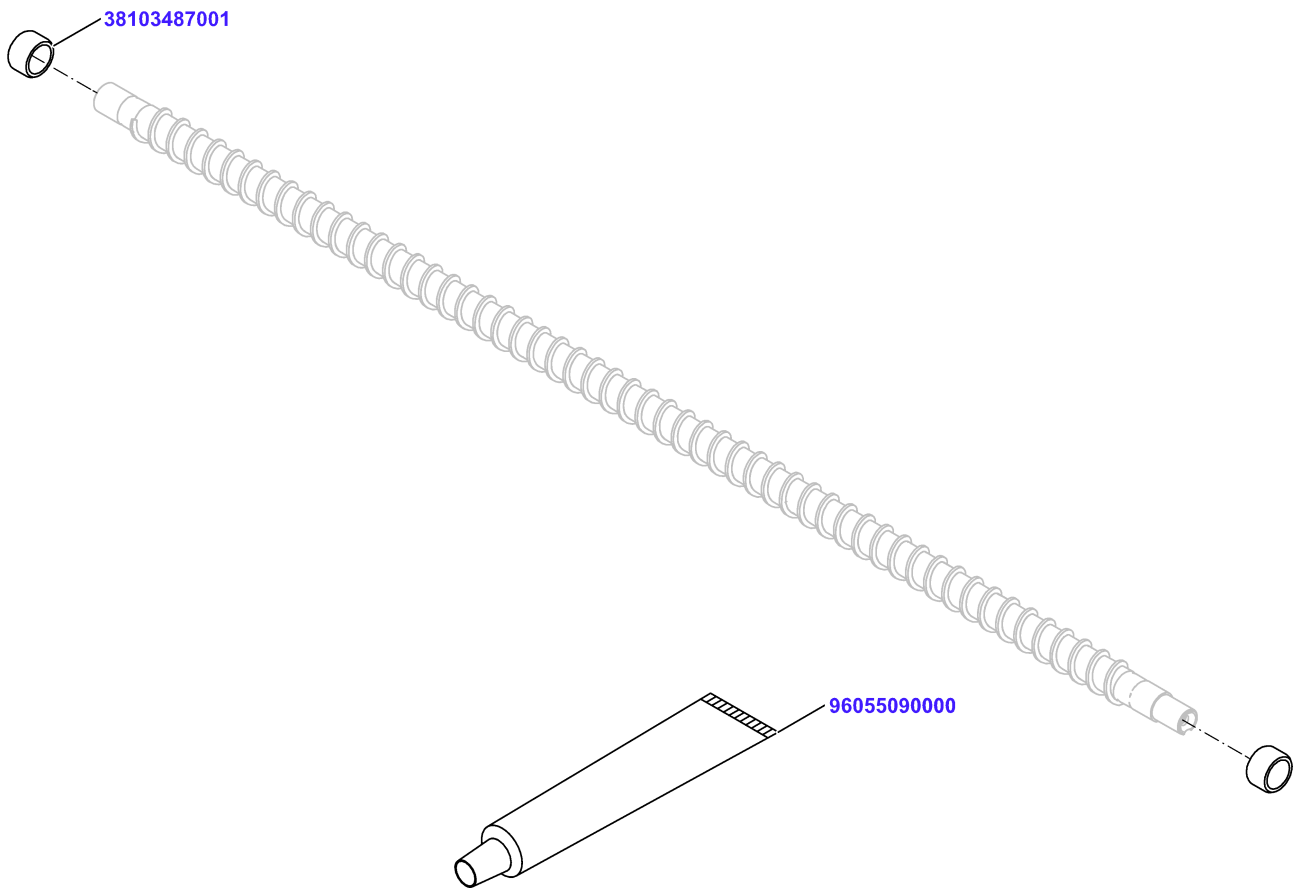
Carriage 600 cpl.



Carriage 600 cpl.



Material No.	Qty	Material description	available for order	Wear part	Recomm. sp. part	Metr. relevance
38082477001	1	Carriage 600 cast machined	✓			
56453180000	2	Threaded insert M6x9	✓			
96055070000	0,001	Grease PARALIQ GA 343	✓			
95972950002	0,001	Loctite 243 50 ml	✓			
38053945001	1	Board	✓			
38063261002	1	Sensor product feeding 1 VSI	✓			
56806411000	4	Oval-head screw ISO14583 M4x6-A2-70-T20	✓			
56739040000	2	Washer DIN125-A 4.3-A2-70	✓			
38011230000	1	Board cpl	✓			
38063262003	1	Sensor product feeding 2 VSI	✓			
56806411000	2	Oval-head screw ISO14583 M4x6-A2-70-T20	✓			
38070080000	1	Washer	✓			
38070090000	1	Sealing	✓		✓	
57430200000	1	Hexagon screw DIN933 M5x20 A2-70	✓			
65016000133	1	Washer 5-PA	✓			
38097519000	1	Sleeve 18 x 10 x 24.25	✓			
95972870002	0,001	Loctite 638	✓			
38086126000	1	Motor Product Feeding BG42x15 cpl	✓			
57431120000	2	Hexagon screw DIN933 M6x12 A2-70	✓			
60897500157	1	PCBAP MC 3ph 2ch lv bus	✓			
71400960000	1	Short Circuit Bracket 3131 731000406	✓		✓	
57758610000	4	Toothed washer DIN6797-A 4,3-Fst	✓			
38073996000	4	Distance bolt SW7x6 M4-M4 In-Out	✓			
56806411000	4	Oval-head screw ISO14583 M4x6-A2-70-T20	✓			
38072057000	4	Washer DIN125-A-4-PA6	✓			
38057548001	1	Seal	✓		✓	

Feedspindle 721xTR20X12 ass.

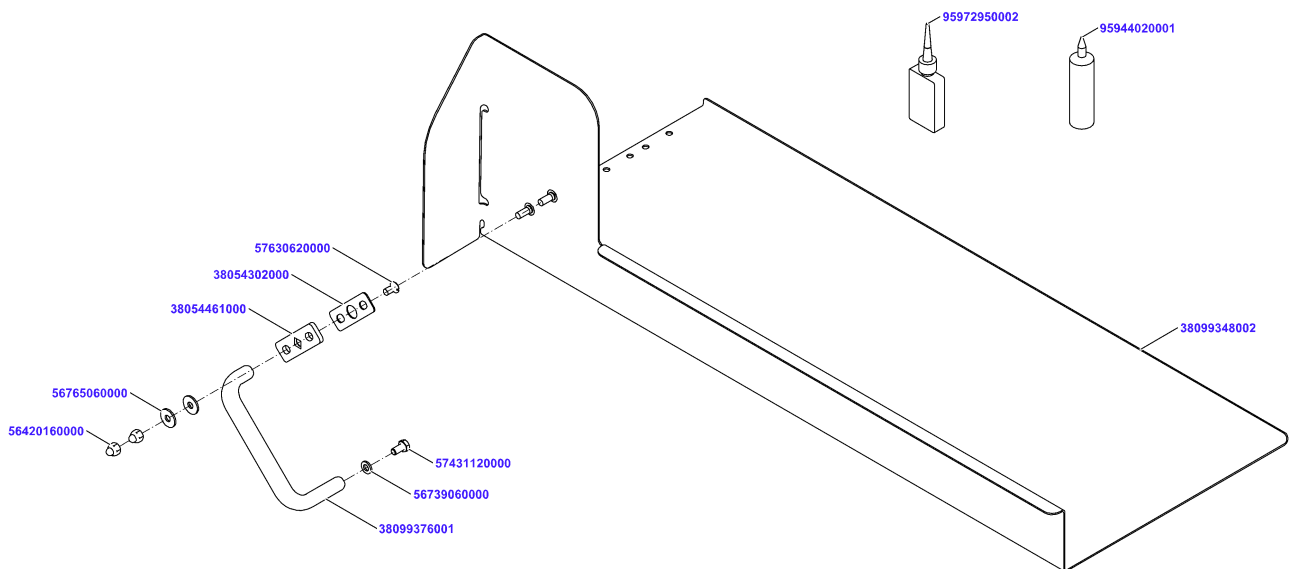


Feedspindle 721xTR20X12 ass.

Material No.	Qty	Material description
38103487001	2	Ring 12x20x15H7
96055090000	0,002	Assembly-paste Rivolta F.L.A. 100 ml

available for order	Wear part	Recomm. sp. part	Metr. relevance
			
			

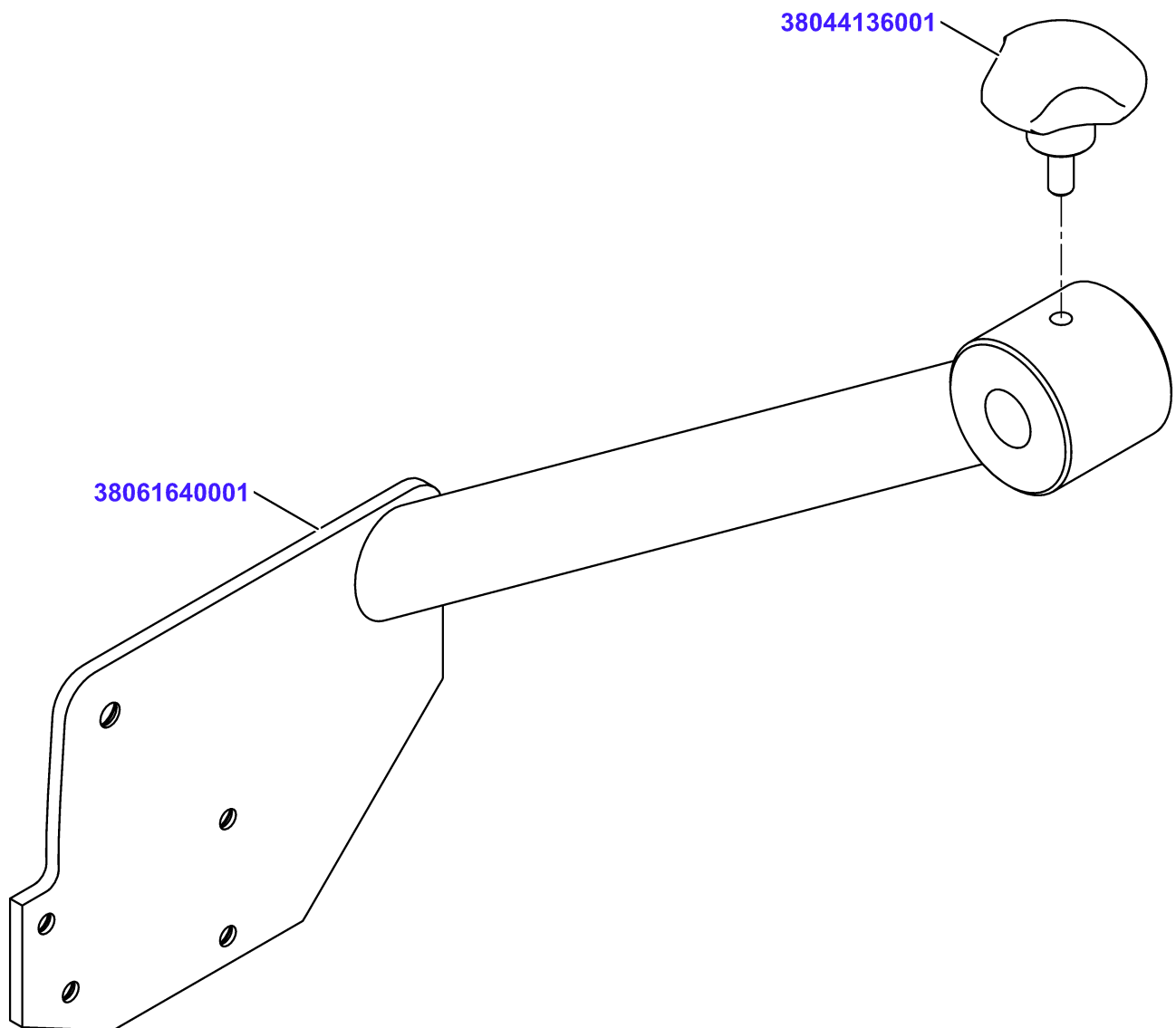
Carriage Plate Template preass



Carriage Plate Template preass

Material No.	Qty	Material description	available for order	Wear part	Recomm. sp. part	Metr. relevance
38099348002	1	Carriage Plate welded	✓			
38099376001	1	Handle	✓			
38054461000	1	Plate	✓			
38054302000	1	Gasket	✓		✓	
95944020001	10	Silicone Rubber Elastosil E41 90ml	✓			
57630620000	1	Countersunk screw DIN963 M6x12-A2-70	✓			
95972950002	0,001	Loctite 243 50 ml	✓			
56420160000	2	Cap nut DIN986-M6-A2	✓			
56765060000	2	Washer DIN9021-6-A2	✓			
57431120000	1	Hexagon screw DIN933 M6x12 A2-70	✓			
56739060000	1	Washer DIN125-A-6-A2	✓			

Product Supporter top NSF cpl

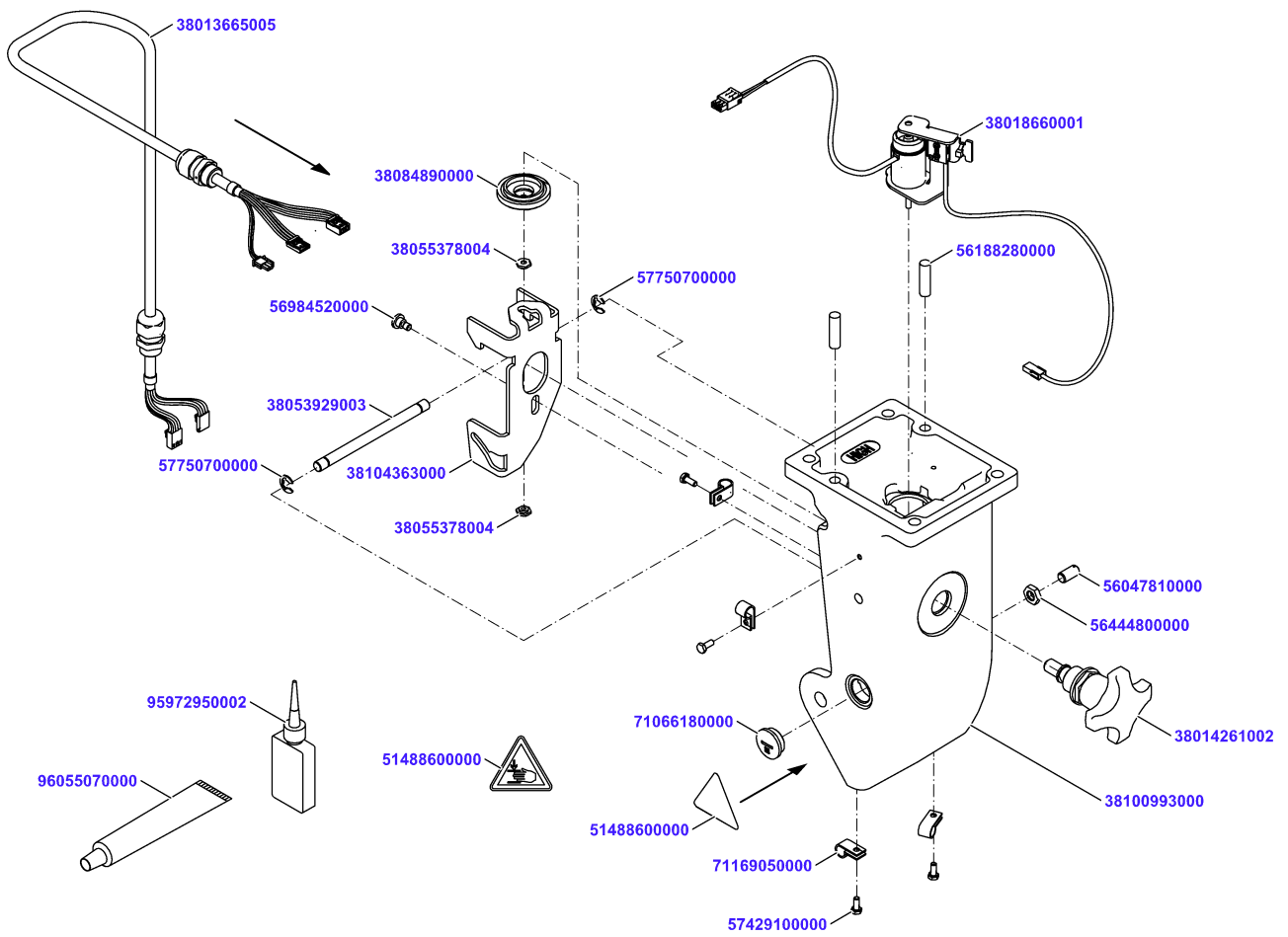


Product Supporter top NSF cpl

Material No.	Qty	Material description
38061640001	1	Mounting welded
38044136001	1	Handle with screw M6 x 14,75

available for order
Wear part
Recomm. sp. part
Metr. relevance

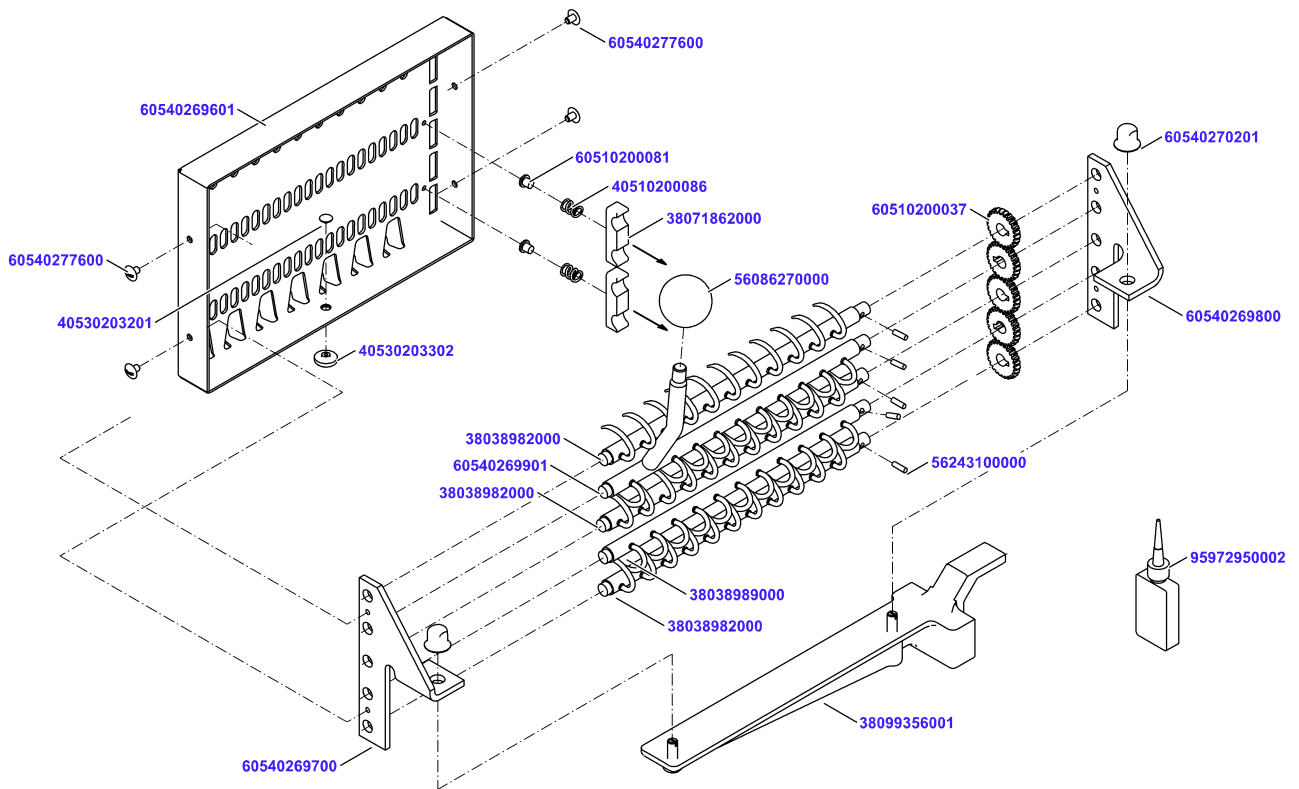
Carriage Foot high cpl.



Carriage Foot high cpl.

Material No.	Qty	Material description	available for order	Wear part	Recomm. sp. part	Metr. relevance
38100993000	1	Carriage Foot high hygienic mach	✓			
56188280000	2	Cylindrical pin EN 22338-8m6x28-A2	✓			
56047810000	1	Set screw DIN551 M8x16-PA 66	✓			
56444800000	1	Hexagon nut DIN439-M8-A2	✓			
38018660001	1	Magnet preass	✓	✓		
38084890000	1	Cap preass	✓			
38055378004	2	Hexagon nut	✓			
95972950002	0,001	Loctite 243 50 ml	✓			
38104363000	1	Interlock	✓			
96055070000	0,001	Grease PARALIQ GA 343	✓			
56984520000	1	Pan head screw DIN923 M5x4A2-70	✓			
71066180000	1	Blind plug BLK- M20	✓			
38014261002	1	Handle preass.	✓			
38053929003	1	Stop Bolt	✓			
57750700000	2	Retaining washer DIN6799-7	✓			
71169050000	4	Cable Clamp nylon 7,4mm NK-5N	✓			
38013665005	1	Ka Rd 12x24AWG 0,87m	✓			
57429100000	4	Hexagon screw DIN933 M4x10 A2-70	✓			
51488600000	1	Warning Plate Hand Injury 7.29K	✓			

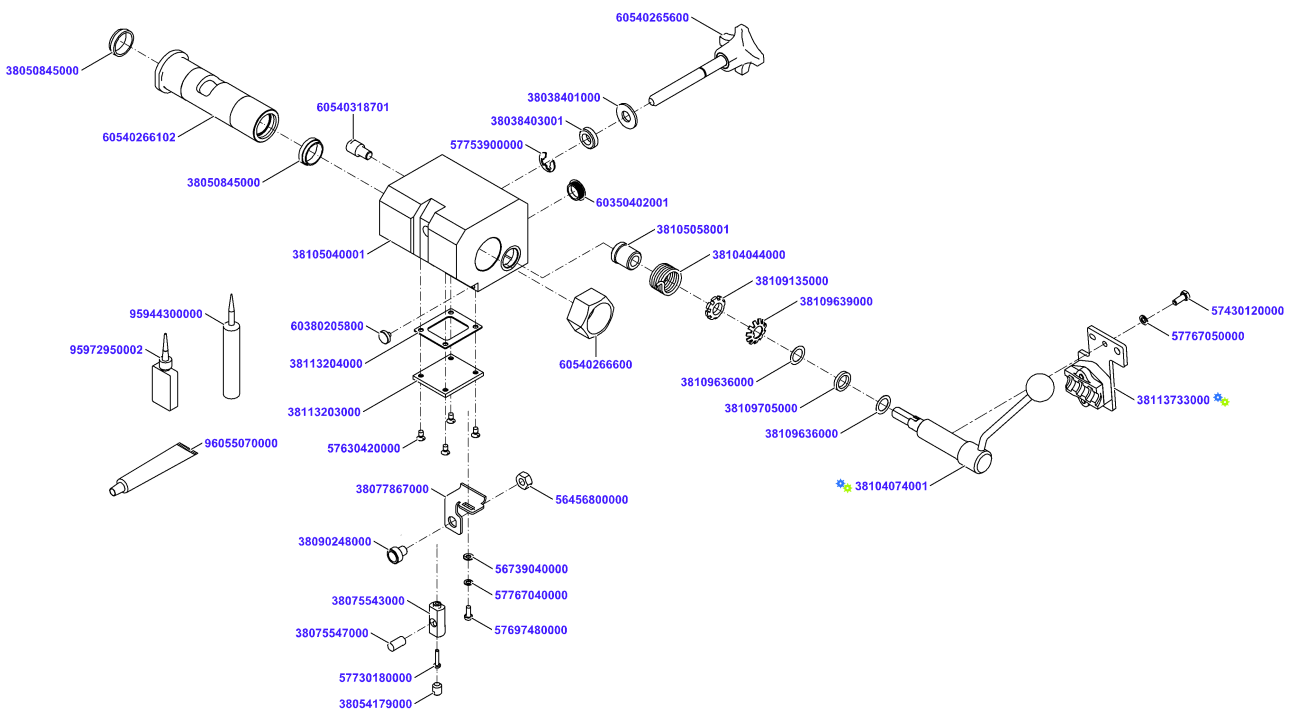
Product Holder cpl. VSI



Product Holder cpl. VSI

Material No.	Qty	Material description	available for order	Wear part	Recomm. sp. part	Metr. relevance
60540269601	1	product holder	✓			
60510200081	2	collar stud	✓			
60540269700	1	Side frame left	✓			
60540269800	1	Side frame right	✓			
38038982000	3	Gripper Shaft cpl.	✓			
38038989000	1	Gripper Shaft cpl.	✓			
60540269901	1	Gripper Shaft cpl	✓			
56086270000	1	Ball knob DIN319 M8x32 I	✓			
56243100000	5	Cylindrical pin EN 22338-3h11x10-A2	✓			
60510200037	5	Pinion	✓			
40510200086	2	Pressure spring	✓			
38071862000	2	brake pad	✓			
60540277600	4	self-tapping screw	✓			
38099356001	1	Holder preass.	✓			
60540270201	2	Cap nut M6	✓		✓	
95972950002	0,001	Loctite 243 50 ml	✓			
40530203201	1	push button	✓			
40530203302	1	sliding piece	✓	✓	✓	

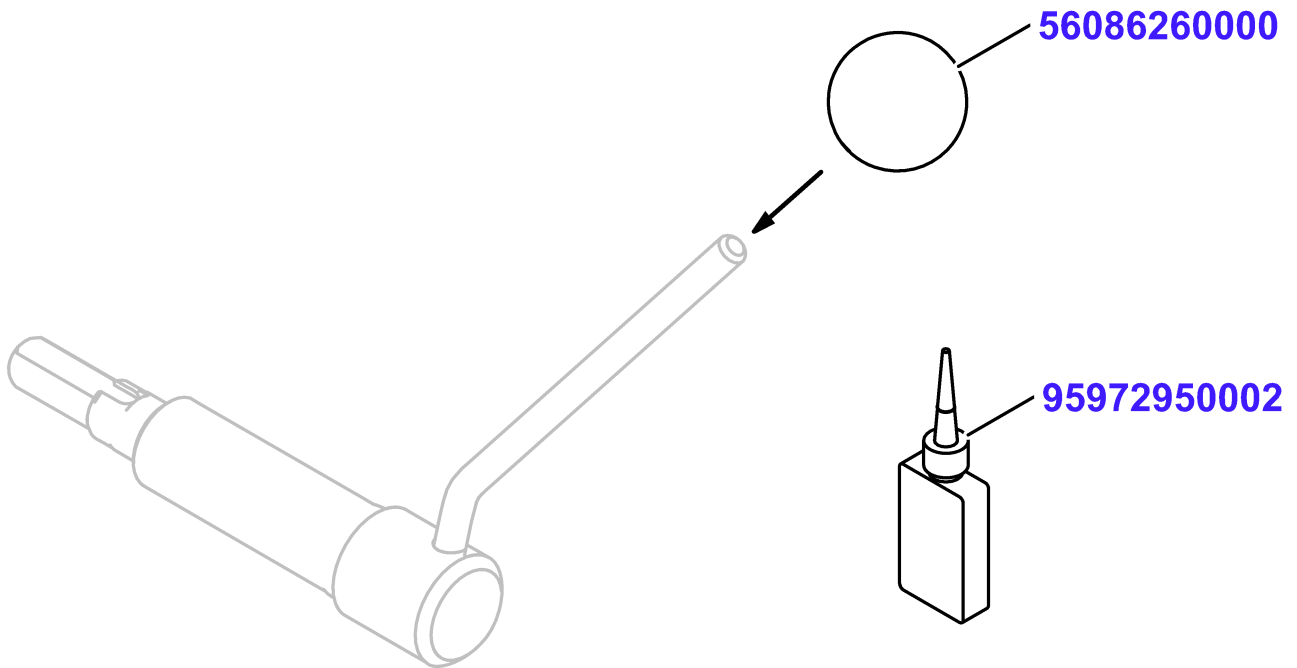
Product Holder Guide NSF cpl



Product Holder Guide NSF cpl

Material No.	Qty	Material description	available for order	Wear part	Recomm. sp. part	Metr. relevance
38105040001	1	Product Holder Guide	✓			
60540265600	1	locking lever mount.	✓			
38038401000	1	washer	✓			
38038403001	1	Bushing 19,1x10,7x5	✓			
57753900000	1	Retaining washer DIN6799-9	✓			
60540266102	1	Bushing complete	✓			
38050845000	2	Deflector Ring	✓			
60540266600	1	hex nut	✓			
38109705000	1	Shaft seal 12x18x3	✓			
38109636000	1	Shim ring DIN988-12x18x0,2	✓			
38104074001	1	Bolt NSF cpl	✓			
38109636000	1	Shim ring DIN988-12x18x0,2	✓			
38109639000	1	Safety plate DIN5406-MB1	✓			
38109135000	1	Grooved nut M12 x 0.5	✓			
38105058001	1	Bushing 19,5/18x10,2x21	✓			
38104044000	1	Torsion spring left	✓			
96055070000	0,005	Grease PARALIQ GA 343	✓			
38113733000	1	Holder preassembled	✓			
57767050000	1	Spring lock washer DIN128-A5-FSt	✓			
57430120000	1	Hexagon screw DIN933 M5x12 A2-70	✓			
60350402001	1	Protective plug	✓			
95944300000	0,005	Kitchen silicone ELASTO4710	✓			
38113203000	1	cover	✓			
38113204000	1	Seal 47x40x1	✓			
57630420000	4	Countersunk screw DIN963 M4x8-A2-70	✓			
38077867000	1	Magnet Base	✓			
38090248000	1	Magnet Vacodym 370 wz round 10x4 preass	✓			
56456800000	1	Hexagon nut DIN934-M8-A2	✓			
57697480000	1	Cylinder screw DIN84 M4x10-A2-70	✓			
56739040000	1	Washer DIN125-A 4.3-A2-70	✓			
57767040000	1	Spring lock washer DIN128-A4-FSt	✓			
38075543000	1	Mounting Pin	✓			
57730180000	1	Oval-head screw ISO14583 M3x16-A2-70-T10	✓			
38075547000	1	Parallel Pin 8x15	✓			
38054179000	1	Set screw DIN438 M8x10-A2-70	✓			
60380205800	1	SLIDE PIN	✓			
60540318701	1	stop pin	✓			
95972950002	0,001	Loctite 243 50 ml	✓			

Bolt NSF cpl

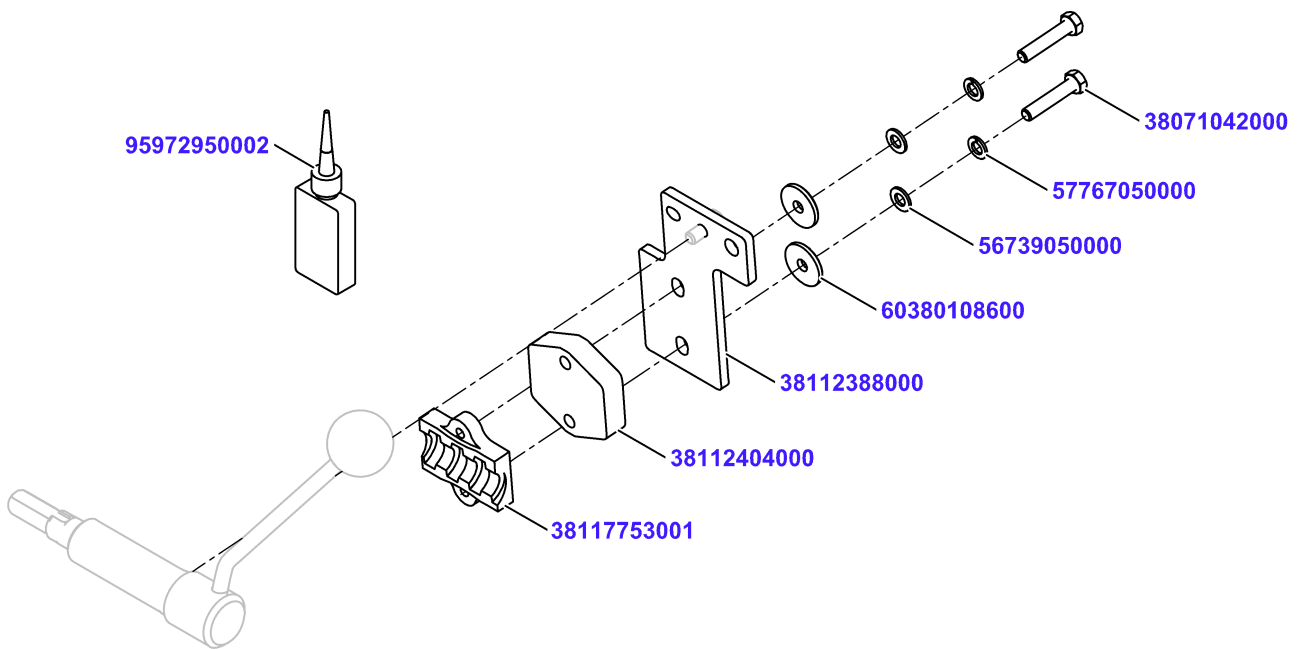


Bolt NSF cpl

Material No.	Qty	Material description
56086260000	1	Ball knob DIN319 M6x25 I
95972950002	0,001	Loctite 243 50 ml

available for order
Wear part
Recomm. sp. part
Metr. relevance

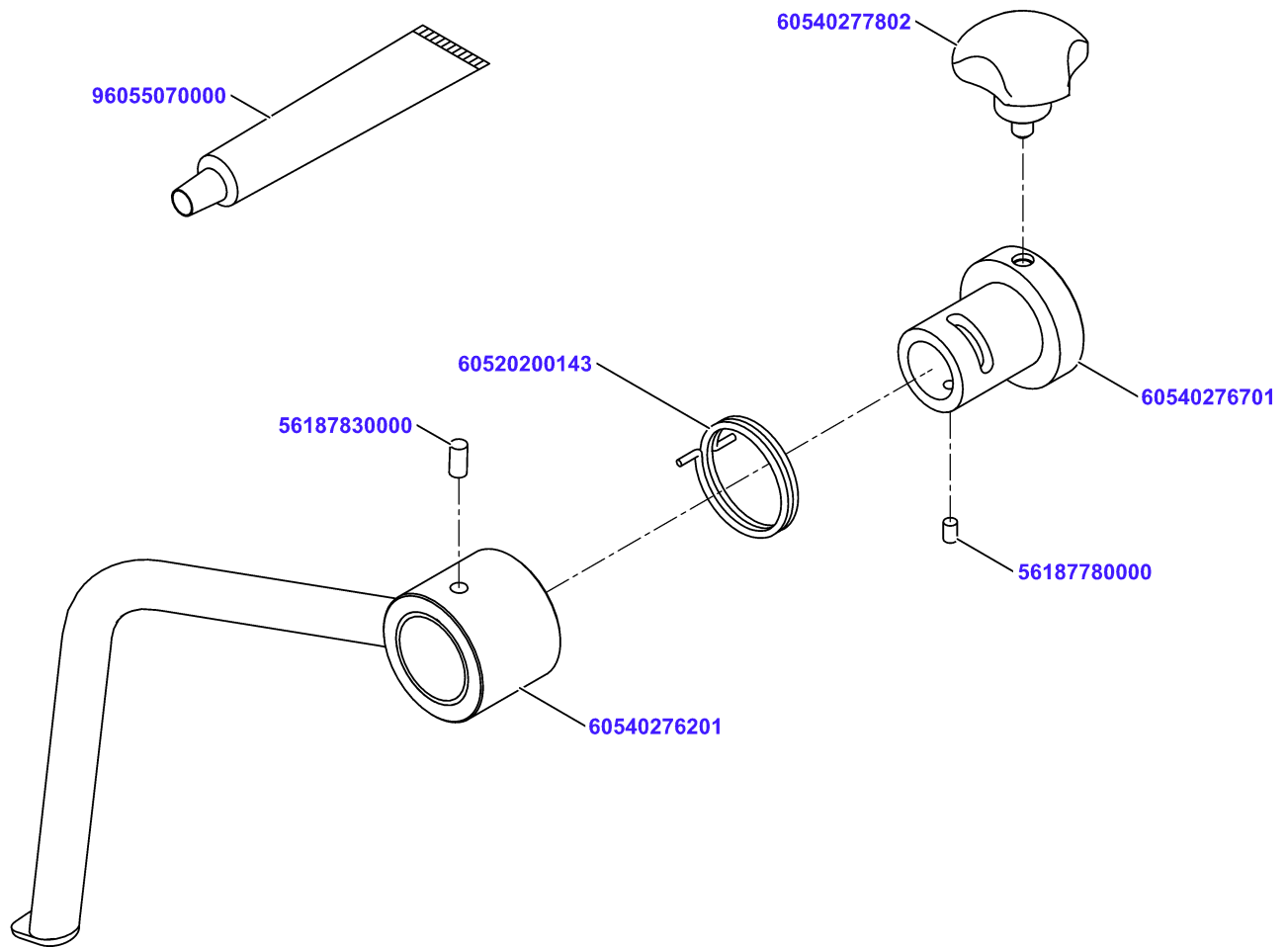
Holder preassembled



Holder preassembled

Material No.	Qty	Material description	available for order	Wear part	Recomm. sp. part	Metr. relevance
38112388000	1	Holder	✓			
38112404000	1	Spacer plate 40x40x10	✓			
38117753001	1	Nut Plate TR20X12P4	✓	✓	✓	
38071042000	2	Hexagon screw DIN933 M5x25 A2-70	✓			
60380108600	2	Washer	✓			
56739050000	2	Washer DIN125-A-5-A2	✓			
57767050000	2	Spring lock washer DIN128-A5-FSt	✓			
95972950002	0,001	Loctite 243 50 ml	✓			

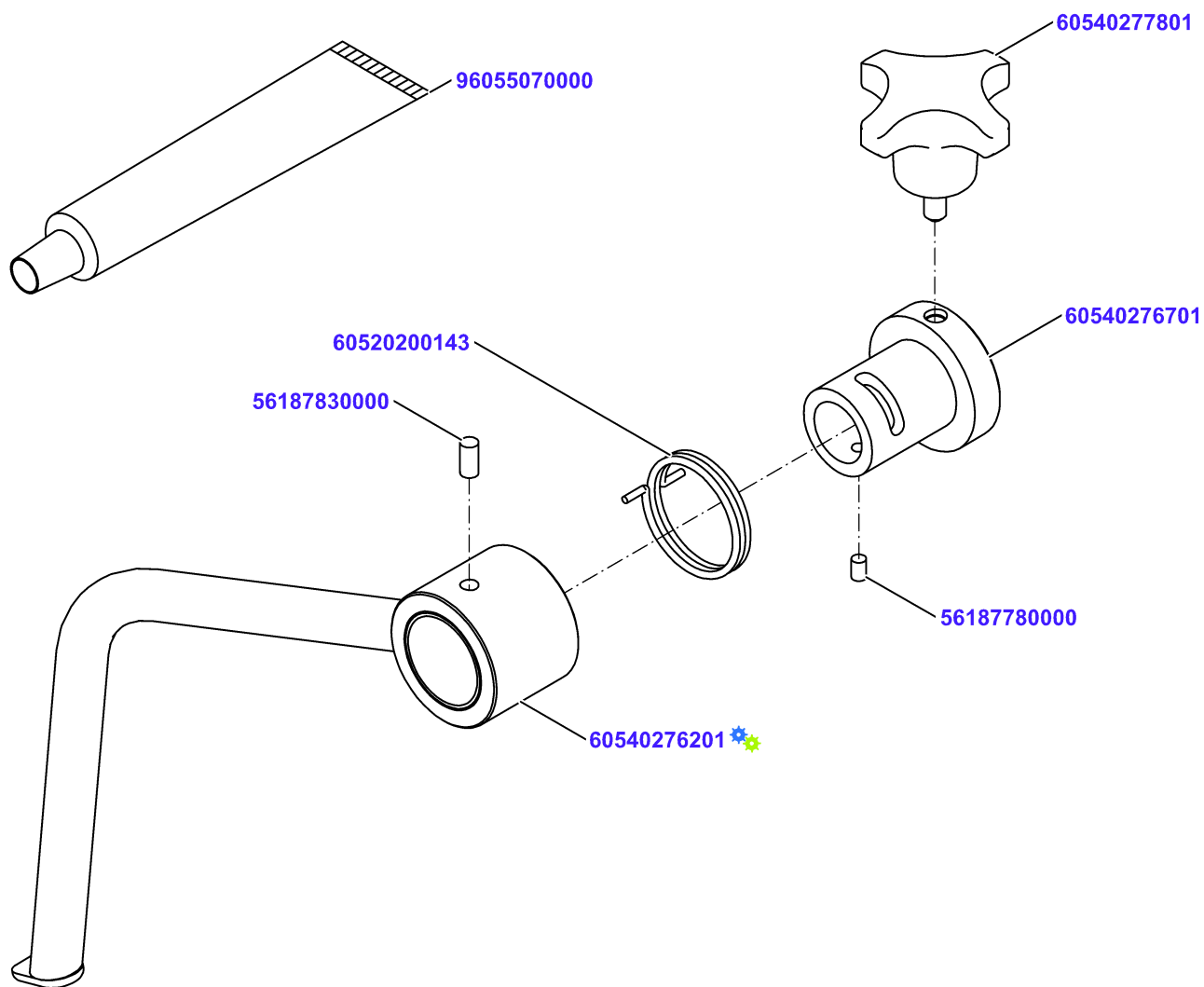
Holding Down Device ass.



Holding Down Device ass.

Material No.	Qty	Material description	available for order	Wear part	Recomm. sp. part	Metr. relevance
60540276201	1	Holding Down Device preass.				
56187830000	1	Cylindrical pin EN 22338-5m6x10-A2				
60540276701	1	hub				
60540277802	1	Handle with screw M6 x 13,55				
56187780000	1	Cylindrical pin EN 22338-4m6x6-A2				
60520200143	1	torsion spring				
96055070000	0,005	Grease PARALIQ GA 343				

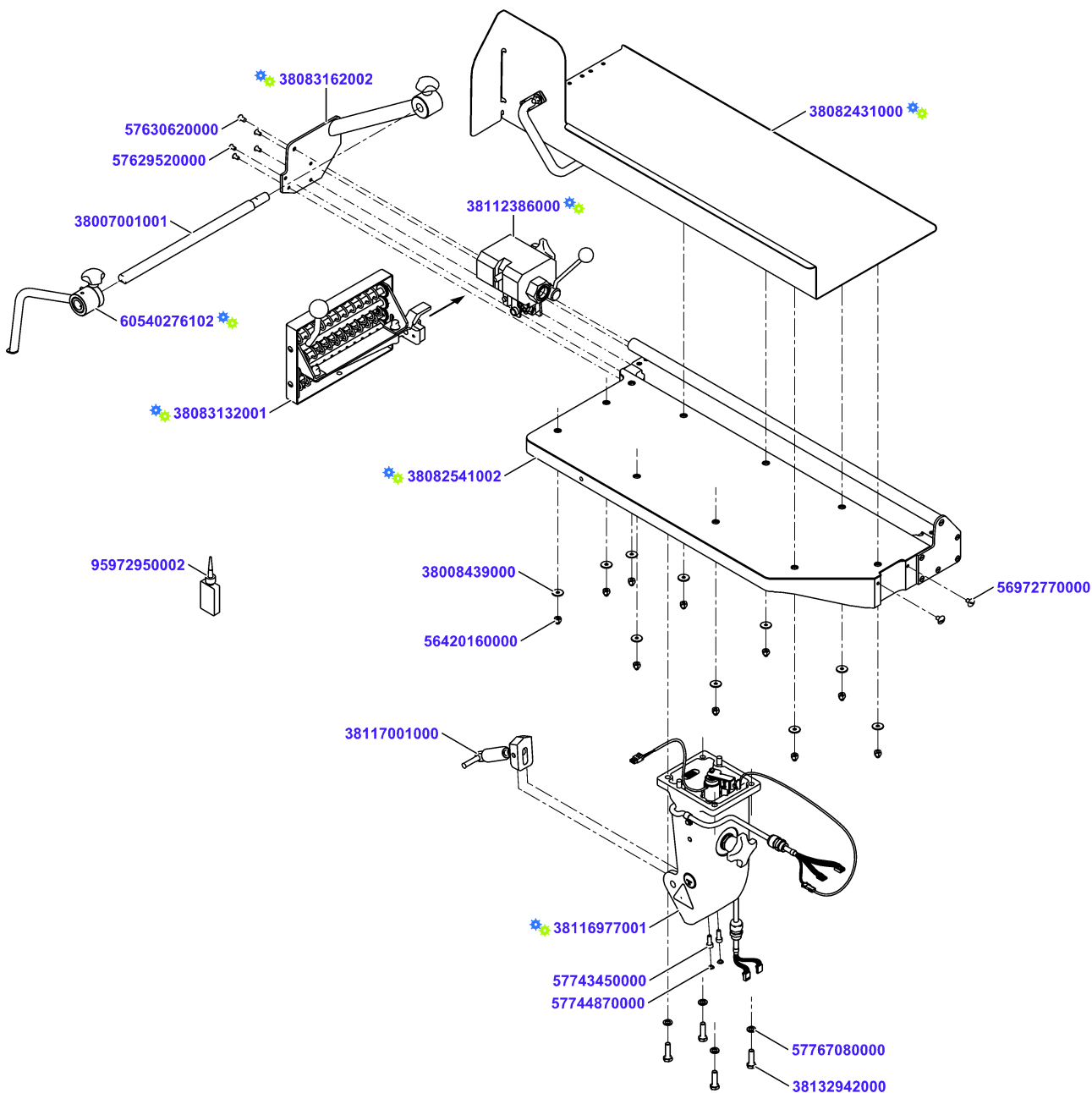
Holding Down Device ass.



Holding Down Device ass.

Material No.	Qty	Material description	available for order	Wear part	Recomm. sp. part	Metr. relevance
60540276201	1	Holding Down Device preass.				
56187830000	1	Cylindrical pin EN 22338-5m6x10-A2				
60540276701	1	hub				
56187780000	1	Cylindrical pin EN 22338-4m6x6-A2				
60520200143	1	torsion spring				
96055070000	0,005	Grease PARALIQ GA 343				

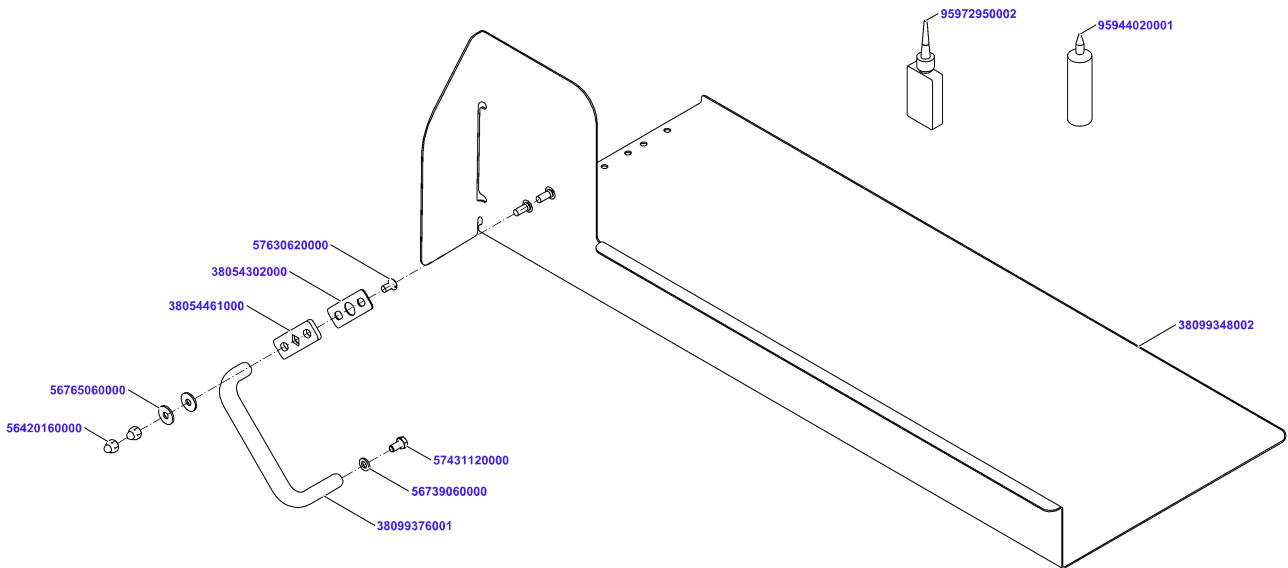
Carriage VSI 600 NSF



Carriage VSI 600 NSF

Material No.	Qty	Material description	available for order	Wear part	Recomm. sp. part	Metr. relevance
38082431000	1	Carriage Plate Template preass	✓			
56420160000	10	Cap nut DIN986-M6-A2	✓			
38008439000	10	Sealing washer M6	✓		✓	
56972770000	2	Mushroom head screw M6x10-A2-70	✓			
38082541002	1	Carriage 600 premounted	✓			
38083162002	1	Product Supporter top NSF cpl	✓			
57629520000	4	Countersunk screw DIN963 M5x10-A2-70	✓			
95972950002	0,001	Loctite 243 50 ml	✓			
57630620000	1	Countersunk screw DIN963 M6x12-A2-70	✓			
38116977001	1	Carriage Foot high cpl.	✓			
38132942000	4	Hexagon screw DIN 933 M8x28 A2-70	✓			
57767080000	4	Spring lock washer DIN128-A8-A2	✓			
38117001000	1	Gas pressure spring carriage 600 cpl	✓		✓	
57743450000	2	Cylinder screw DIN912 M6x16-A2-70	✓			
57744870000	2	Protective plug 10x5,2x3,1-PE	✓		✓	
38083132001	1	Product Holder cpl. VSI	✓			
38112386001	1	Product Holder Guide NSF cpl	✓			
38007001001	1	Axis 18x342	✓			
60540276102	1	Holding Down Device ass.	✓			

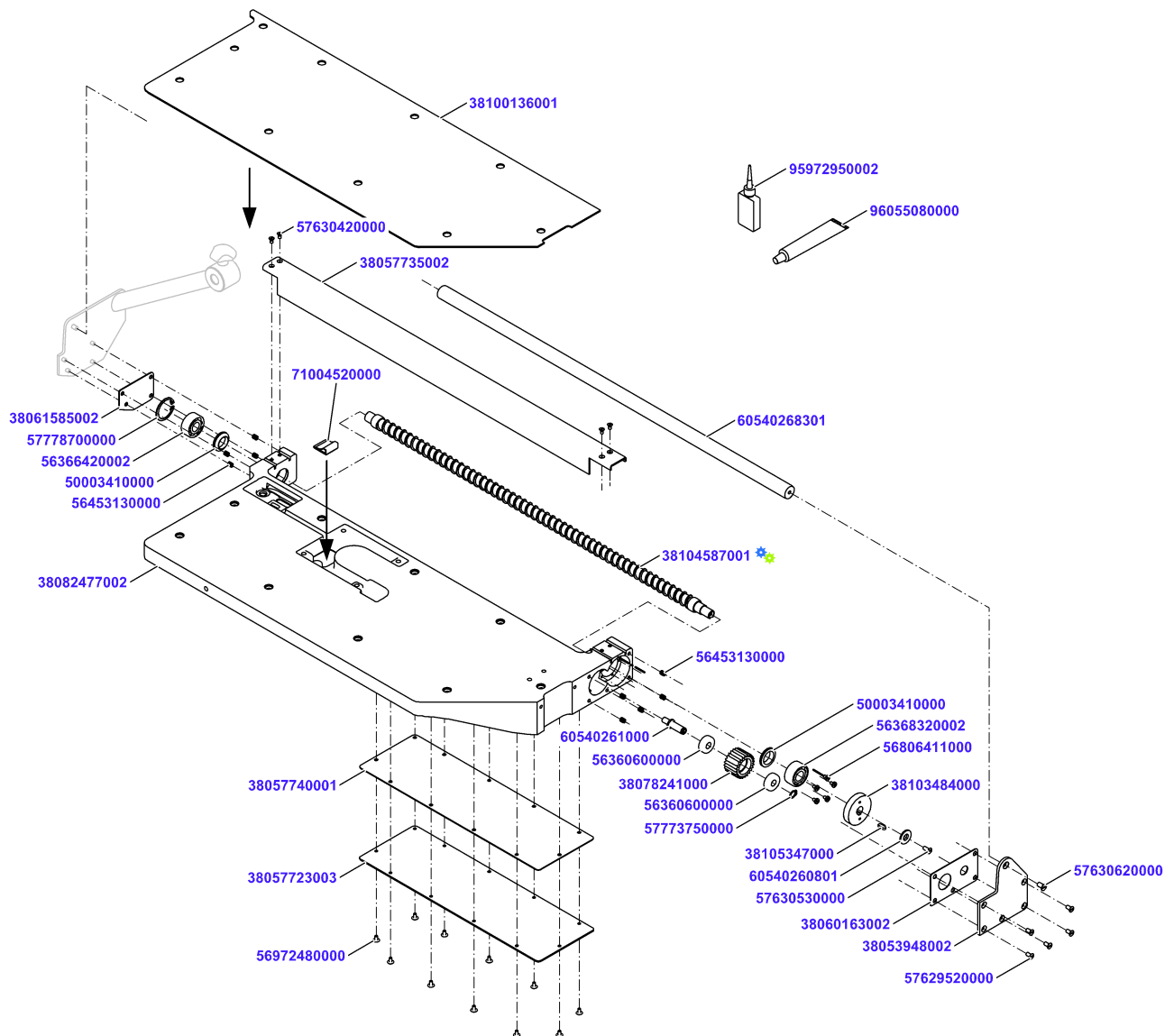
Carriage Plate Template preass



Carriage Plate Template preass

Material No.	Qty	Material description	available for order	Wear part	Recomm. sp. part	Metr. relevance
38099348002	1	Carriage Plate welded	✓			
38099376001	1	Handle	✓			
38054461000	1	Plate	✓			
38054302000	1	Gasket	✓		✓	
95944020001	10	Silicone Rubber Elastosil E41 90ml	✓			
57630620000	1	Countersunk screw DIN963 M6x12-A2-70	✓			
95972950002	0,001	Loctite 243 50 ml	✓			
56420160000	2	Cap nut DIN986-M6-A2	✓			
56765060000	2	Washer DIN9021-6-A2	✓			
57431120000	1	Hexagon screw DIN933 M6x12 A2-70	✓			
56739060000	1	Washer DIN125-A-6-A2	✓			

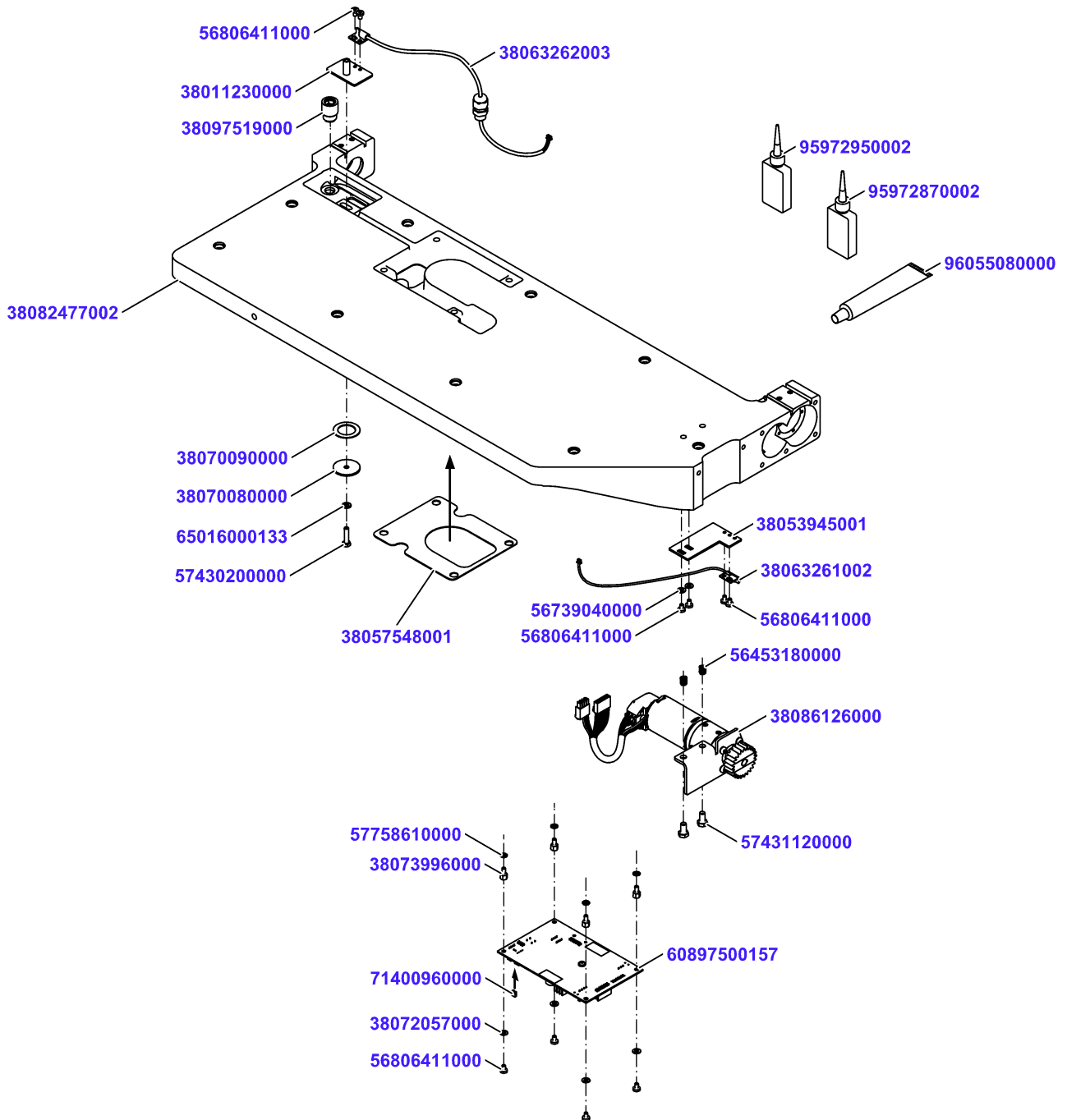
Carriage 600 premounted



Carriage 600 premounted

Material No.	Qty	Material description	available for order	Wear part	Recomm. sp. part	Metr. relevance
38082477002	1	Carriage Carrier 600 machined	✓			
56453130000	9	Thread insert M5x7,5-A2	✓			
57778700000	1	Retaining ring DIN472-35x1,5	✓			
38104587001	1	Feedspindle 721xTR20X12 ass.	✓			
96055080000	0,001	Kluebersynth UH1 64-62/25kg	✓			
56806411000	5	Oval-head screw ISO14583 M4x6-A2-70-T20	✓			
95972950002	0,005	Loctite 243 50 ml	✓			
38103484000	1	Gear Wheel	✓			
38105347000	1	Parallel key DIN6885-A 5x3x14	✓			
60540260801	1	Washer	✓			
57630530000	1	Countersunk screw DIN963 M5x12-A2-70	✓			
60540261000	1	bolt	✓			
38078241000	1	Gear Wheel	✓			
56360600000	2	Grooved ball bearing DIN625 10x26x8	✓			
57773750000	1	Retaining ring DIN471-10x1	✓			
38057735002	1	Guide Rail 600er	✓			
57630420000	4	Countersunk screw DIN963 M4x8-A2-70	✓			
56806411000	4	Oval-head screw ISO14583 M4x6-A2-70-T20	✓			
56806411000	2	Oval-head screw ISO14583 M4x6-A2-70-T20	✓			
71004520000	1	Flat Cabel Holder 3484-1000	✓			
56806411000	4	Oval-head screw ISO14583 M4x6-A2-70-T20	✓			
38053948002	1	Flange	✓			
38060163002	1	Sealing	✓		✓	
57629520000	5	Countersunk screw DIN963 M5x10-A2-70	✓			
38061585002	1	sealing	✓		✓	
60540268301	1	guide shaft	✓			
57630620000	1	Countersunk screw DIN963 M6x12-A2-70	✓			
38100136001	1	Flat Seal Carriage Plate 600	✓		✓	
38057723003	1	Cover 378x119,1x2	✓			
38057740001	1	Seal long	✓		✓	
56972480000	11	Mushroom head screw M4x8-A2-70 Tuflok	✓			
50003410000	2	Wiper ring 30x20x7	✓			
56368320002	1	Angular bearing double-row 15x35x15,9	✓			
56366420002	1	Self-Aligning Ball Bearing 2202	✓			

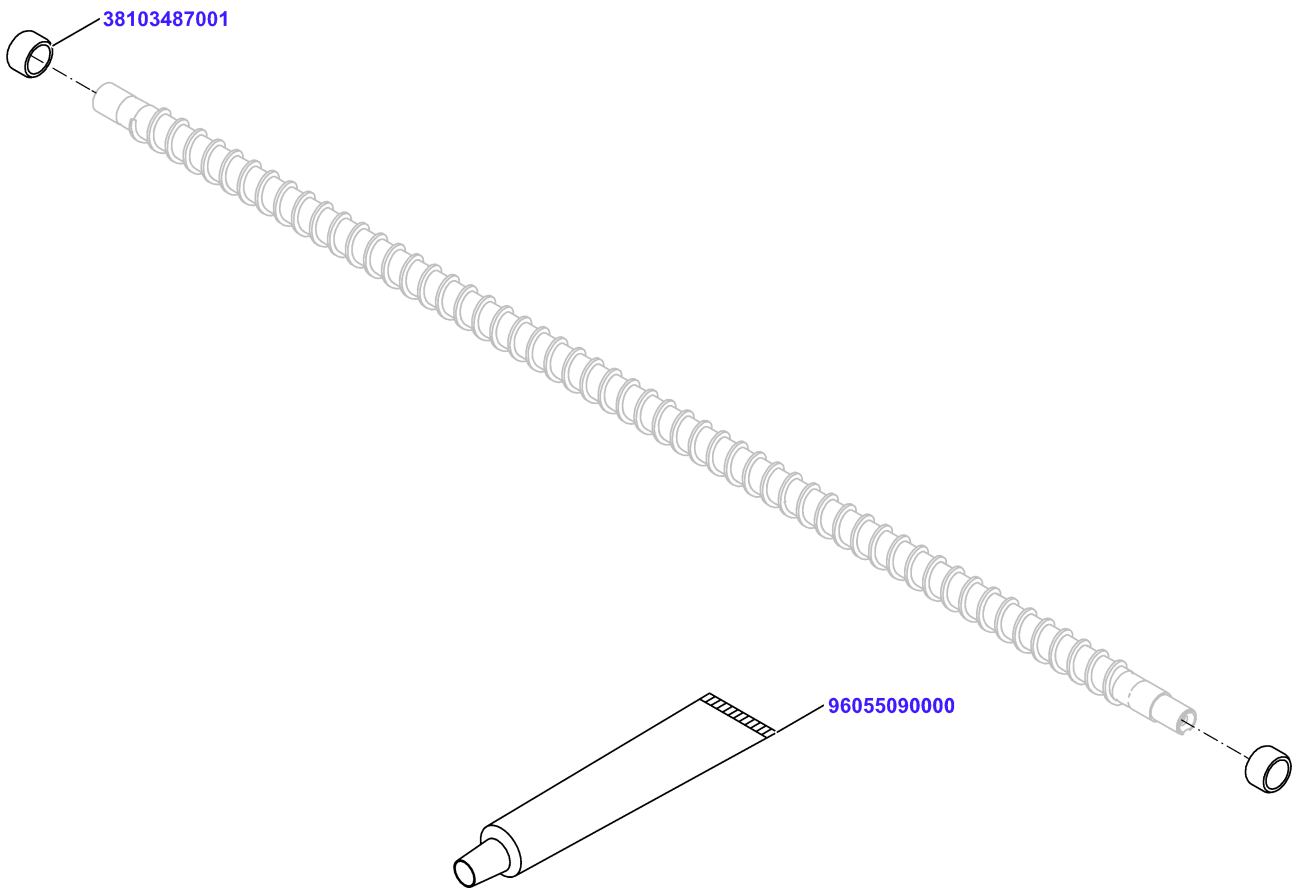
Carriage 600 premounted



Carriage 600 premounted

Material No.	Qty	Material description	available for order	Wear part	Recomm. sp. part	Metr. relevance
38082477002	1	Carriage Carrier 600 machined	✓			
56453180000	2	Threaded insert M6x9	✓			
96055080000	0,001	Kluebersynth UH1 64-62/25kg	✓			
56806411000	5	Oval-head screw ISO14583 M4x6-A2-70-T20	✓			
95972950002	0,005	Loctite 243 50 ml	✓			
38053945001	1	Board	✓			
38063261002	1	Sensor product feeding 1 VSI	✓			
56806411000	4	Oval-head screw ISO14583 M4x6-A2-70-T20	✓			
56739040000	2	Washer DIN125-A 4.3-A2-70	✓			
38011230000	1	Board cpl	✓			
38063262003	1	Sensor product feeding 2 VSI	✓			
56806411000	2	Oval-head screw ISO14583 M4x6-A2-70-T20	✓			
38070080000	1	Washer	✓		✓	
38070090000	1	Sealing	✓		✓	
57430200000	1	Hexagon screw DIN933 M5x20 A2-70	✓			
65016000133	1	Washer 5-PA	✓			
38097519000	1	Sleeve 18 x 10 x 24.25	✓			
95972870002	0,001	Loctite 638	✓			
38086126000	1	Motor Product Feeding BG42x15 cpl	✓			
57431120000	2	Hexagon screw DIN933 M6x12 A2-70	✓			
60897500157	1	PCBAP MC 3ph 2ch lv bus	✓			
71400960000	1	Short Circuit Bracket 3131 731000406	✓		✓	
57758610000	4	Toothed washer DIN6797-A 4,3-Fst	✓			
38073996000	4	Distance bolt SW7x6 M4-M4 In-Out	✓			
56806411000	4	Oval-head screw ISO14583 M4x6-A2-70-T20	✓			
38072057000	4	Washer DIN125-A-4-PA6	✓			
38057548001	1	Seal	✓		✓	

Feedspindle 721xTR20X12 ass.

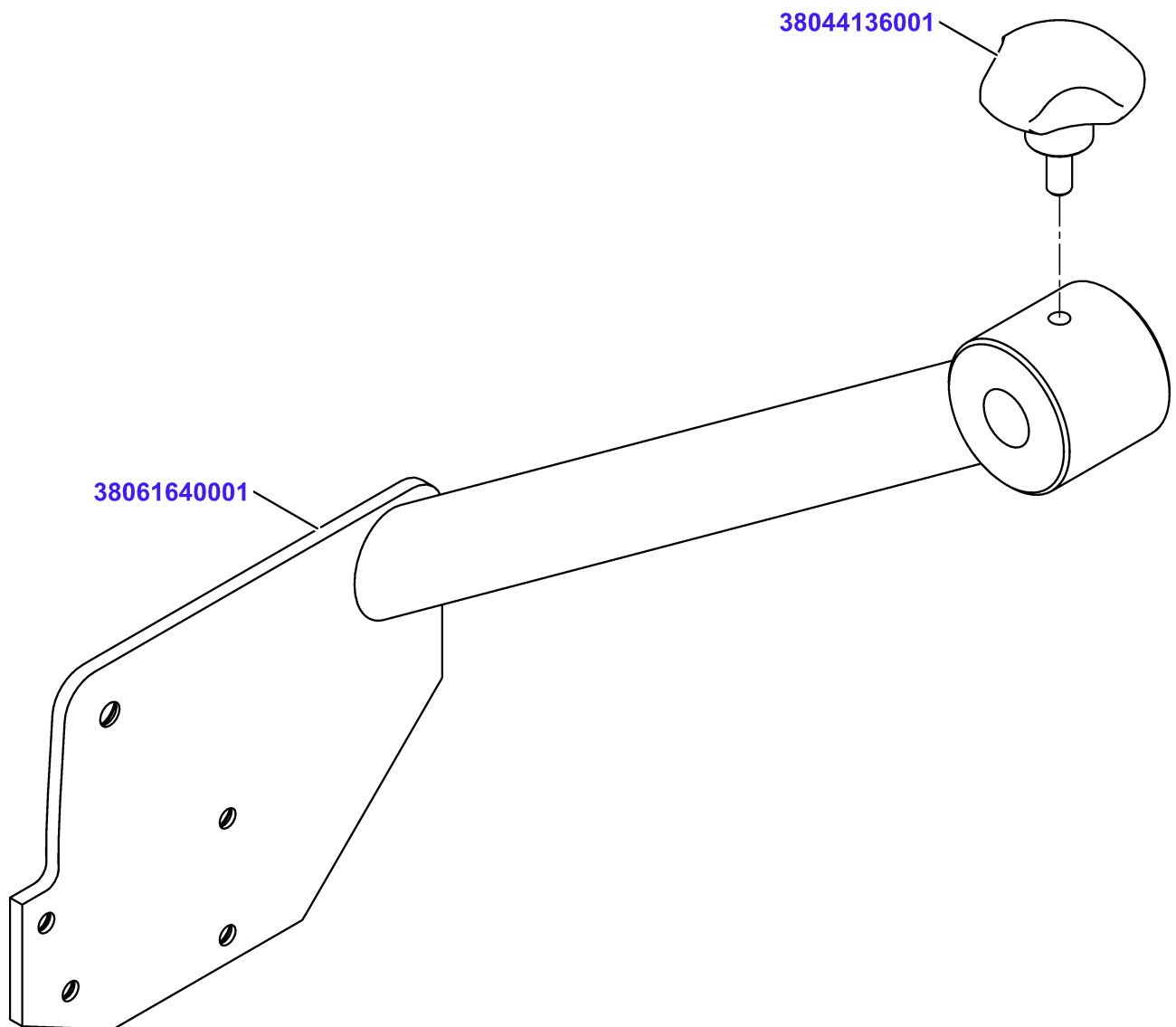


Feedspindle 721xTR20X12 ass.

Material No.	Qty	Material description
38103487001	2	Ring 12x20x15H7
96055090000	0,002	Assembly-paste Rivolta F.L.A. 100 ml

available for order
Wear part
Recomm. sp. part
Metr. relevance

Product Supporter top NSF cpl

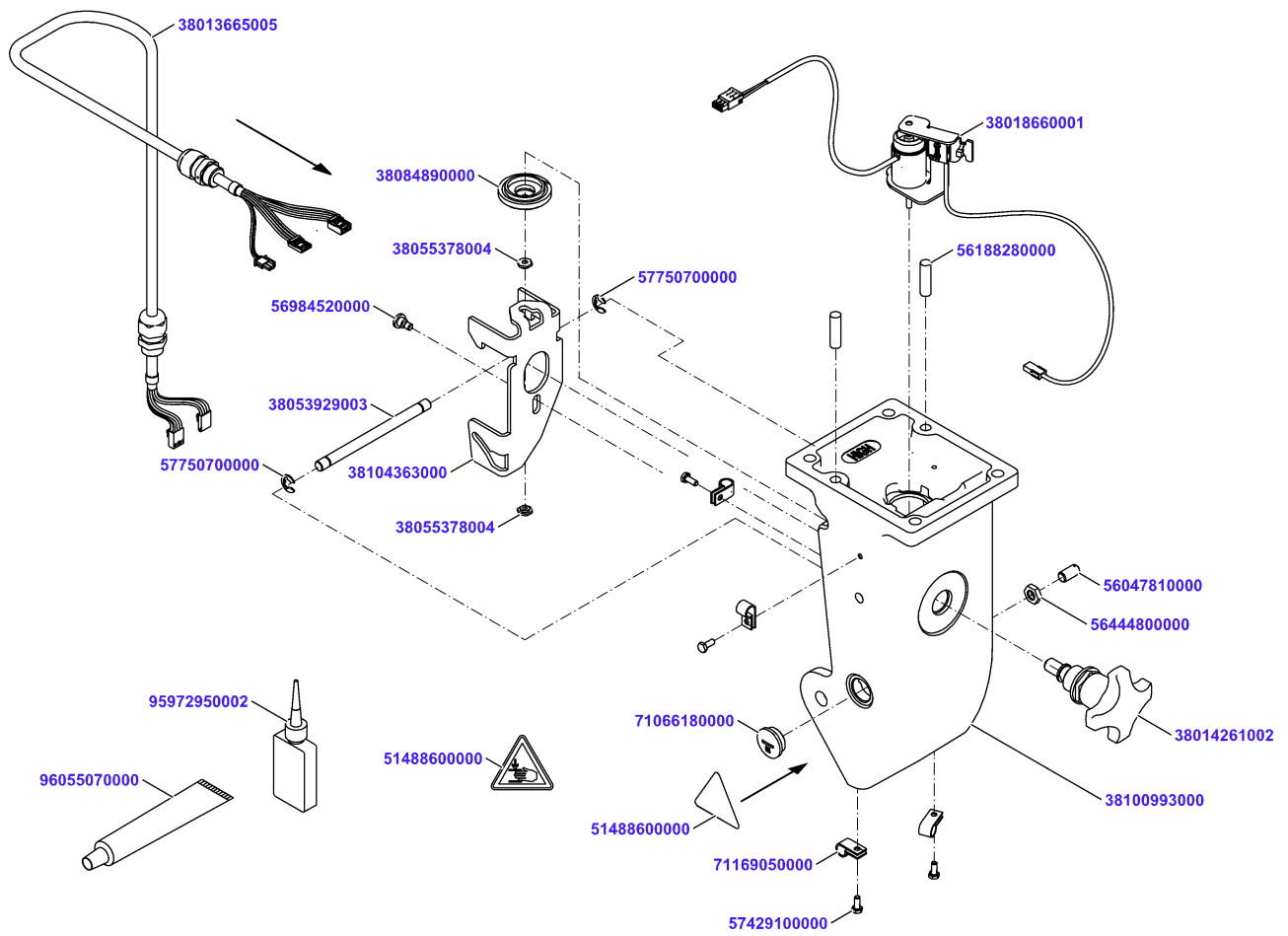


Product Supporter top NSF cpl

Material No.	Qty	Material description
38061640001	1	Mounting welded
38044136001	1	Handle with screw M6 x 14,75

available for order
Wear part
Recomm. sp. part
Metr. relevance

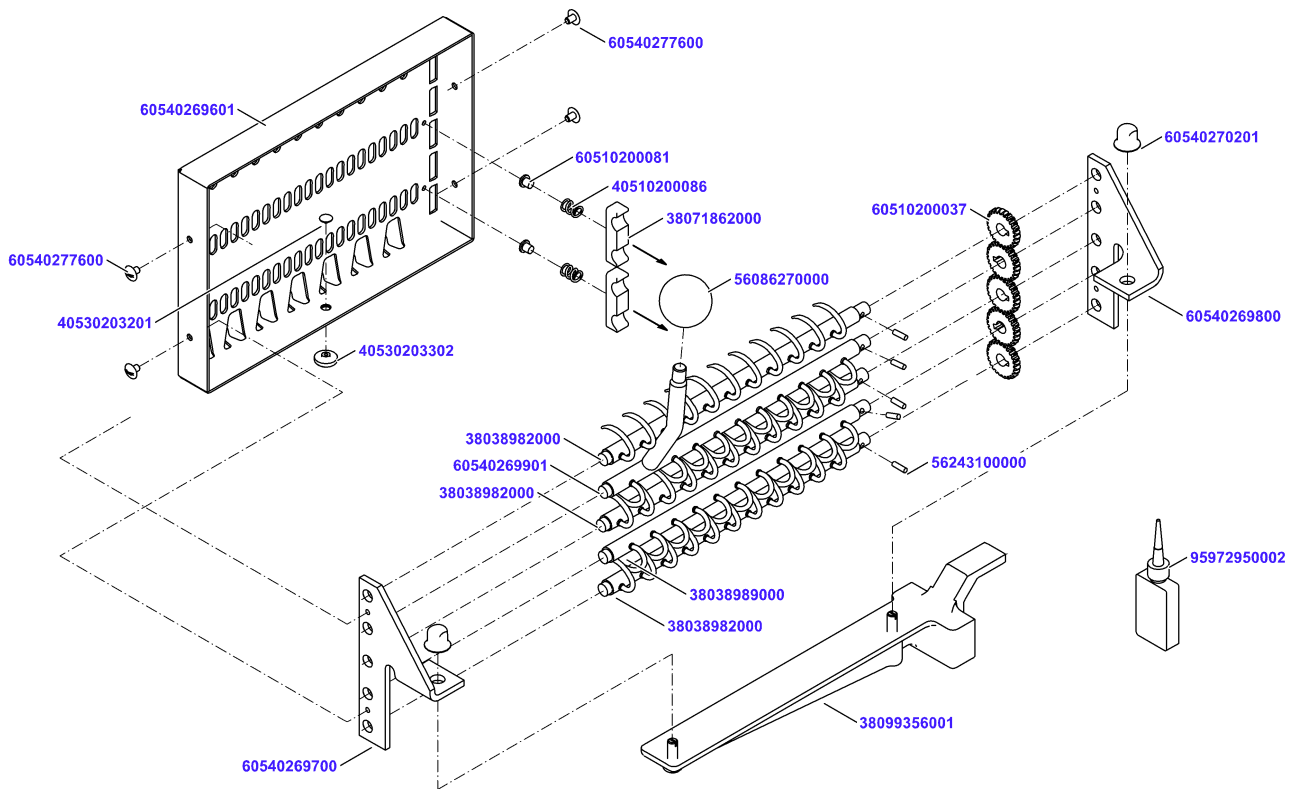
Carriage Foot high cpl.



Carriage Foot high cpl.

Material No.	Qty	Material description	available for order	Wear part	Recomm. sp. part	Metr. relevance
38100993000	1	Carriage Foot high hygienic mach	✓			
56188280000	2	Cylindrical pin EN 22338-8m6x28-A2	✓			
56047810000	1	Set screw DIN551 M8x16-PA 66	✓			
56444800000	1	Hexagon nut DIN439-M8-A2	✓			
38018660001	1	Magnet preass	✓	✓		
38084890000	1	Cap preass	✓			
38055378004	2	Hexagon nut	✓			
95972950002	0,001	Loctite 243 50 ml	✓			
38104363000	1	Interlock	✓			
96055070000	0,001	Grease PARALIQ GA 343	✓			
56984520000	1	Pan head screw DIN923 M5x4A2-70	✓			
71066180000	1	Blind plug BLK- M20	✓			
38014261002	1	Handle preass.	✓			
38053929003	1	Stop Bolt	✓			
57750700000	2	Retaining washer DIN6799-7	✓			
71169050000	4	Cable Clamp nylon 7,4mm NK-5N	✓			
38013665005	1	Ka Rd 12x24AWG 0,87m	✓			
57429100000	4	Hexagon screw DIN933 M4x10 A2-70	✓			
51488600000	1	Warning Plate Hand Injury 7.29K	✓			

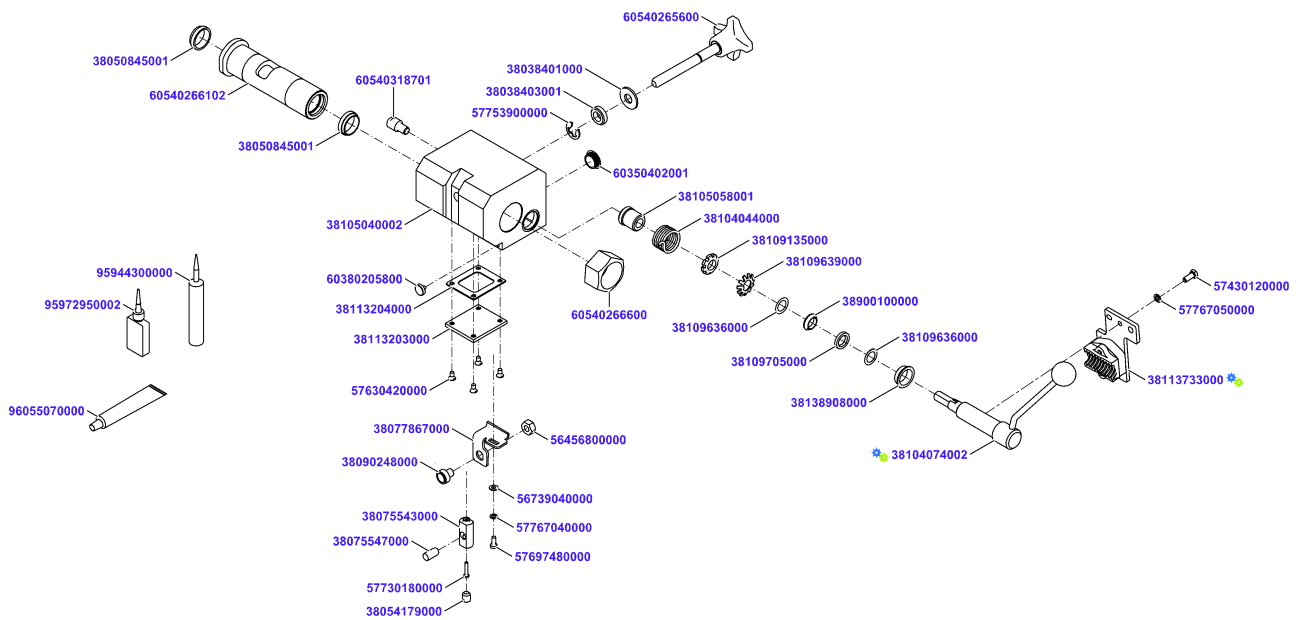
Product Holder cpl. VSI



Product Holder cpl. VSI

Material No.	Qty	Material description	available for order	Wear part	Recomm. sp. part	Metr. relevance
60540269601	1	product holder	✓			
60510200081	2	collar stud	✓			
60540269700	1	Side frame left	✓			
60540269800	1	Side frame right	✓			
38038982000	3	Gripper Shaft cpl.	✓			
38038989000	1	Gripper Shaft cpl.	✓			
60540269901	1	Gripper Shaft cpl	✓			
56086270000	1	Ball knob DIN319 M8x32 I	✓			
56243100000	5	Cylindrical pin EN 22338-3h11x10-A2	✓			
60510200037	5	Pinion	✓			
40510200086	2	Pressure spring	✓			
38071862000	2	brake pad	✓			
60540277600	4	self-tapping screw	✓			
38099356001	1	Holder preass.	✓			
60540270201	2	Cap nut M6	✓		✓	
95972950002	0,001	Loctite 243 50 ml	✓			
40530203201	1	push button	✓			
40530203302	1	sliding piece	✓		✓	

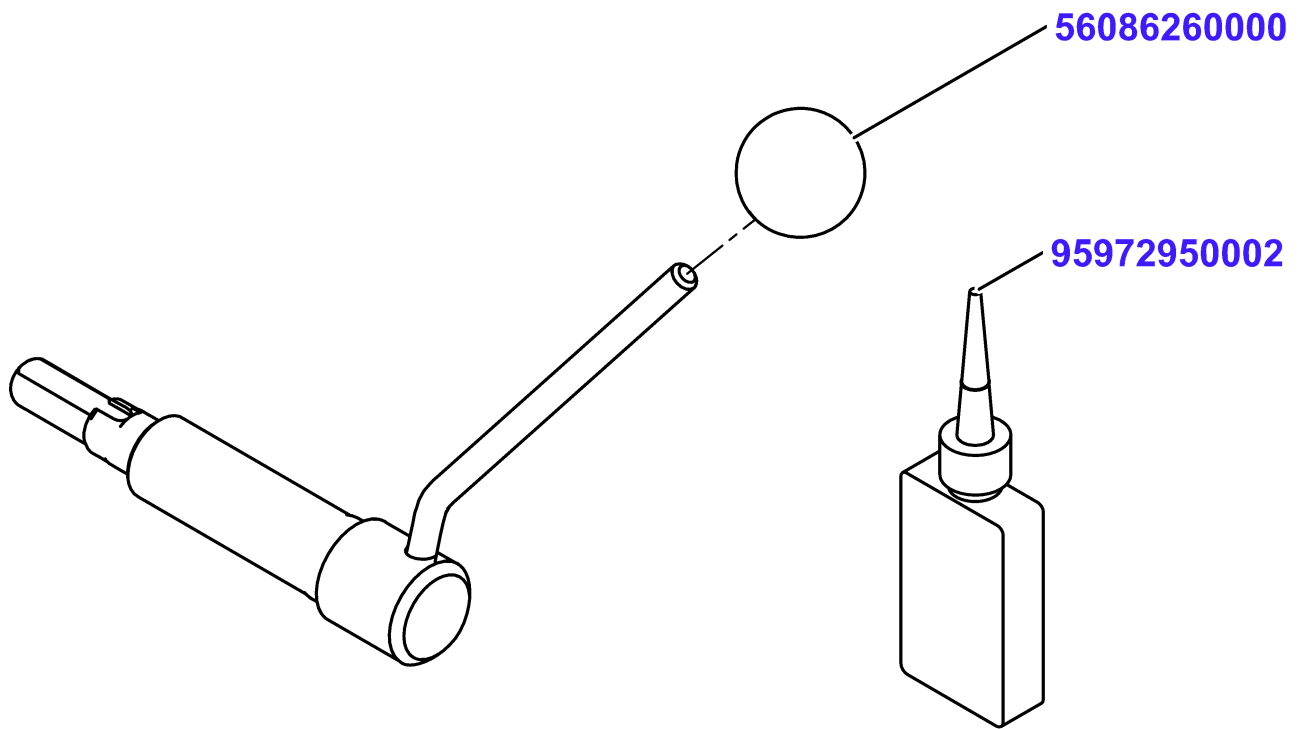
Product Holder Guide NSF cpl



Product Holder Guide NSF cpl

Material No.	Qty	Material description	available for order	Wear part	Recomm. sp. part	Metr. relevance
38105040002	1	Product Holder Guide NSF				
60540265600	1	locking lever mount.				
38038401000	1	washer				
38038403001	1	Bushing 19,1x10,7x5				
57753900000	1	Retaining washer DIN6799-9				
60540266102	1	Bushing complete				
38050845001	2	Deflector ring 25x20,2x7				
60540266600	1	hex nut				
38109705000	1	Shaft seal 12x18x3				
38109636000	1	Shim ring DIN988-12x18x0,2				
38104074002	1	Bolt NSF cpl				
38109636000	1	Shim ring DIN988-12x18x0,2				
38109639000	1	Safety plate DIN5406-MB1				
38109135000	1	Grooved nut M12 x 0.5				
38105058001	1	Bushing 19,5/18x10,2x21				
38104044000	1	Torsion spring left				
96055070000	0,005	Grease PARALIQ GA 343				
38113733000	1	Holder preassembled				
57767050000	1	Spring lock washer DIN128-A5-FSt				
57430120000	1	Hexagon screw DIN933 M5x12 A2-70				
60350402001	1	Protective plug				
95944300000	0,005	Kitchen silicone ELASTO4710				
38113203000	1	cover				
38113204000	1	Seal 47x40x1				
57630420000	4	Countersunk screw DIN963 M4x8-A2-70				
38077867000	1	Magnet Base				
38090248000	1	Magnet Vacodym 370 wz round 10x4 preass				
56456800000	1	Hexagon nut DIN934-M8-A2				
57697480000	1	Cylinder screw DIN84 M4x10-A2-70				
56739040000	1	Washer DIN125-A 4.3-A2-70				
57767040000	1	Spring lock washer DIN128-A4-FSt				
38075543000	1	Mounting Pin				
57730180000	1	Oval-head screw ISO14583 M3x16-A2-70-T10				
38075547000	1	Parallel Pin 8x15				
38054179000	1	Set screw DIN438 M8x10-A2-70				
60380205800	1	SLIDE PIN				
60540318701	1	stop pin				
95972950002	0,001	Loctite 243 50 ml				
38900100000	1	Plain bearing w. flange 12x18x14x4				
38138908000	1	Plain bearing w. flange 18x24x20x7				

Bolt NSF cpl

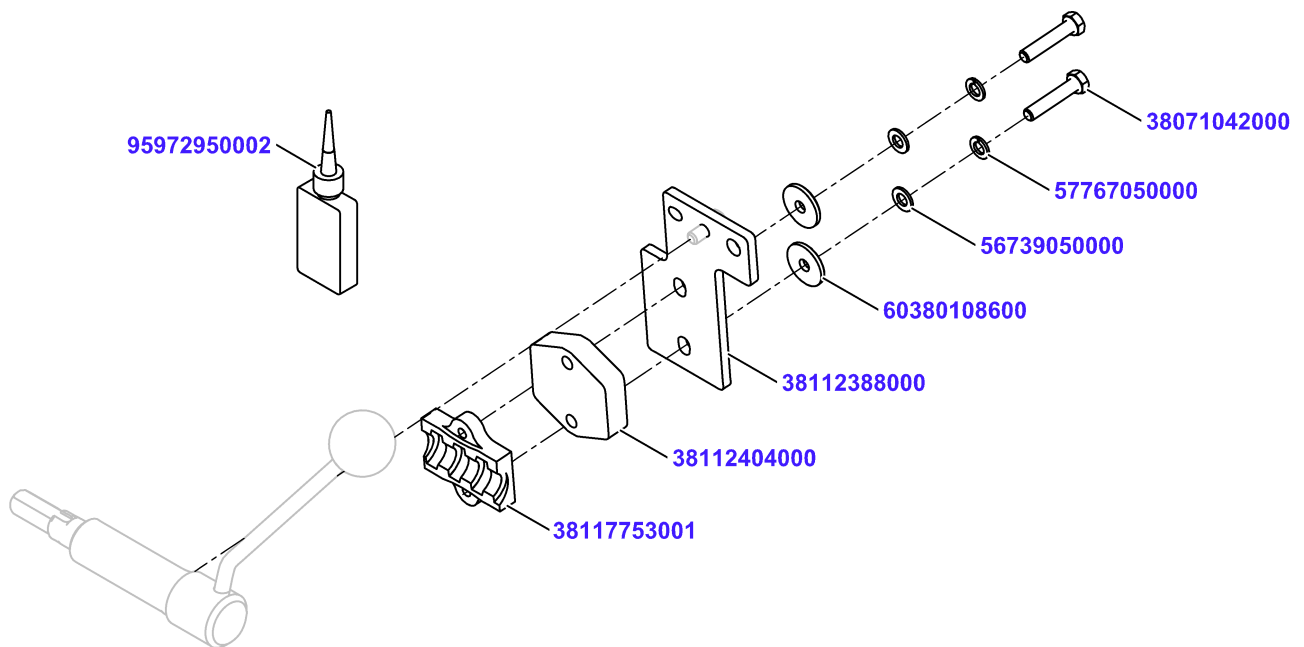


Bolt NSF cpl

Material No.	Qty	Material description
56086260000	1	Ball knob DIN319 M6x25 I
95972950002	0,001	Loctite 243 50 ml

available for order
Wear part
Recomm. sp. part
Metr. relevance

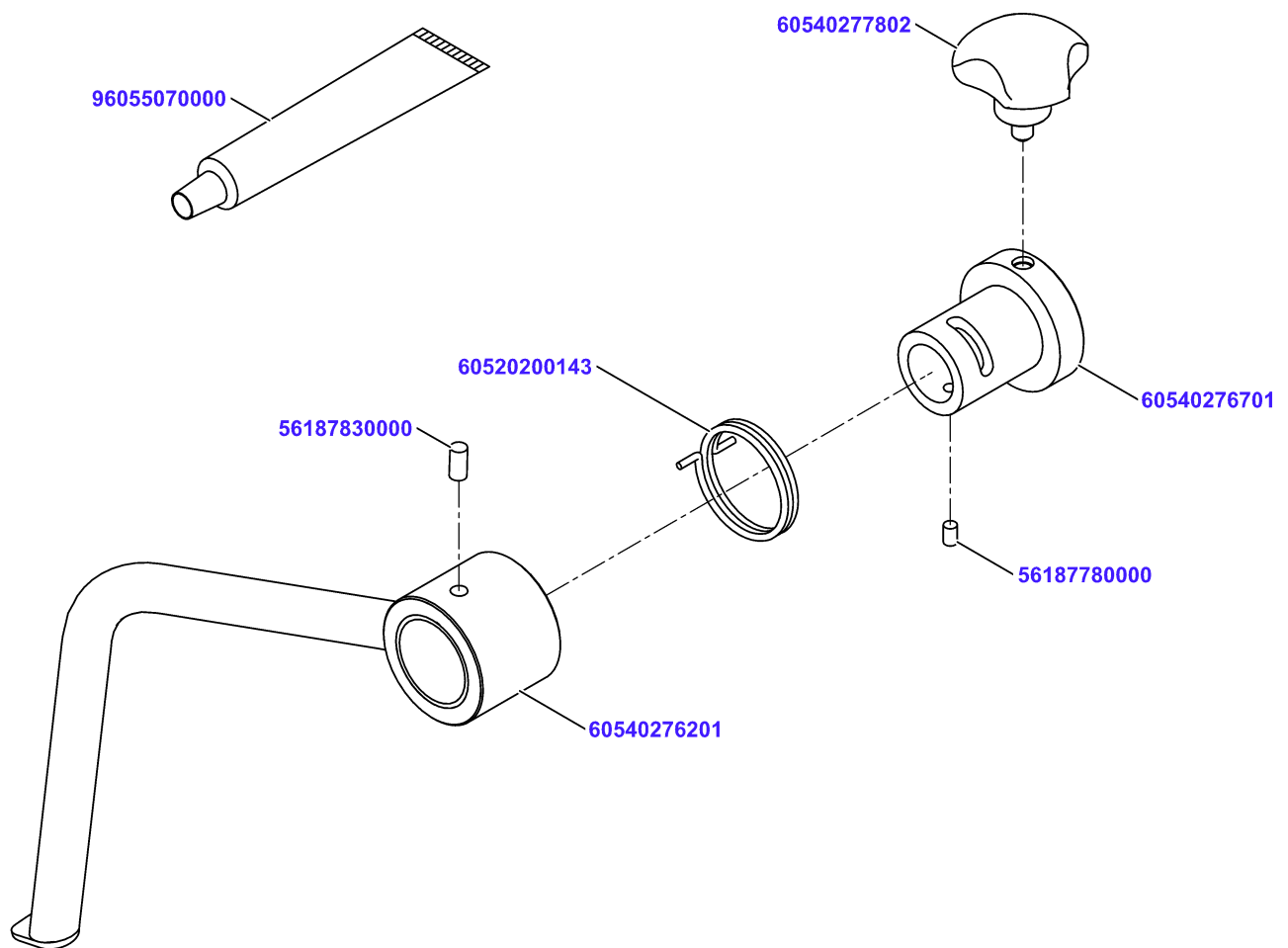
Holder preassembled










Holder preassembled

Material No.	Qty	Material description	available for order	Wear part	Recomm. sp. part	Metr. relevance
38112388000	1	Holder	✓			
38112404000	1	Spacer plate 40x40x10	✓			
38117753001	1	Nut Plate TR20X12P4	✓		✓	
38071042000	2	Hexagon screw DIN933 M5x25 A2-70	✓			
60380108600	2	Washer	✓			
56739050000	2	Washer DIN125-A-5-A2	✓			
57767050000	2	Spring lock washer DIN128-A5-FSt	✓			
95972950002	0,001	Loctite 243 50 ml	✓			

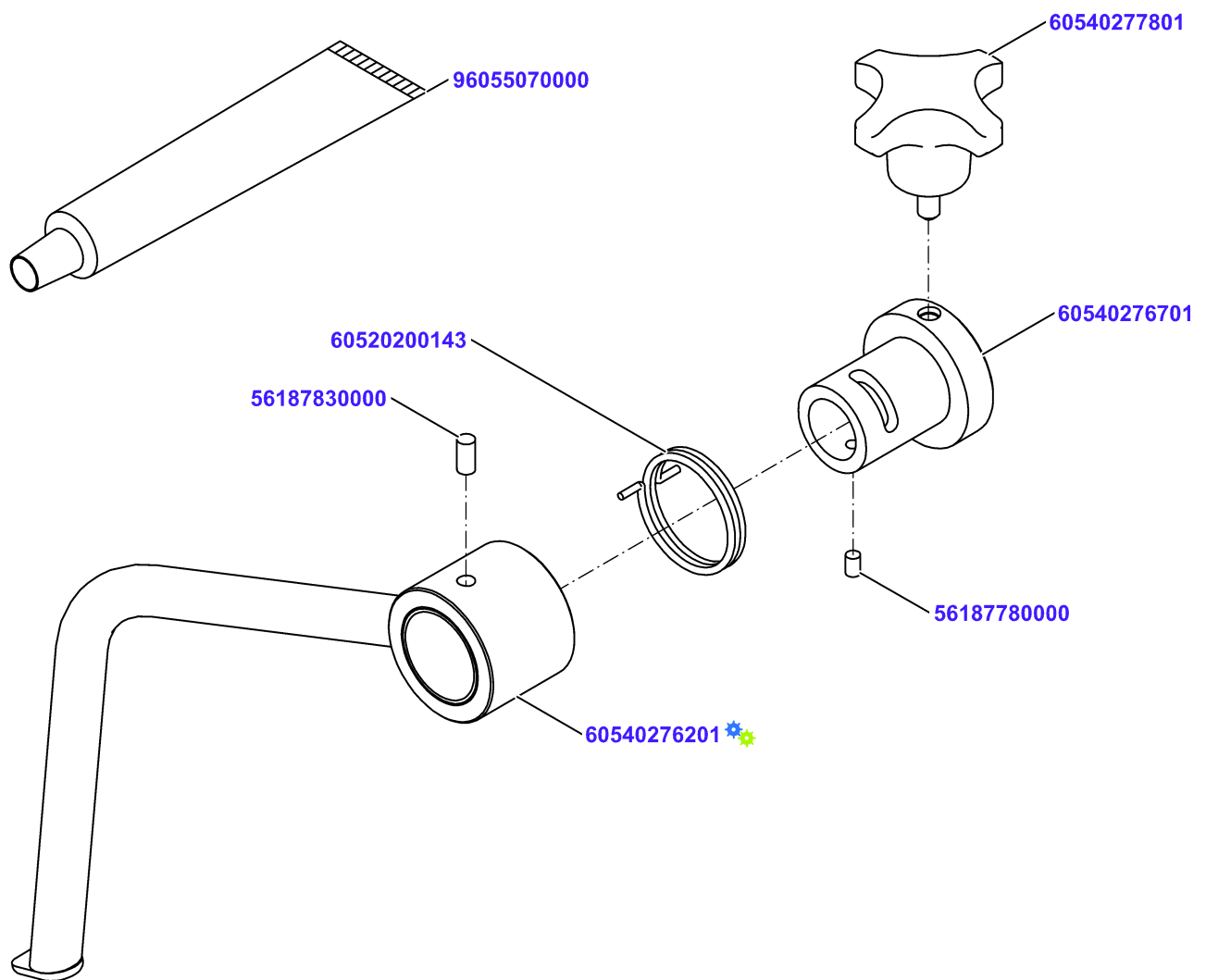
Holding Down Device ass.



Holding Down Device ass.

Material No.	Qty	Material description	available for order	Wear part	Recomm. sp. part	Metr. relevance
60540276201	1	Holding Down Device preass.				
56187830000	1	Cylindrical pin EN 22338-5m6x10-A2				
60540276701	1	hub				
60540277802	1	Handle with screw M6 x 13,55				
56187780000	1	Cylindrical pin EN 22338-4m6x6-A2				
60520200143	1	torsion spring				
96055070000	0,005	Grease PARALIQ GA 343				

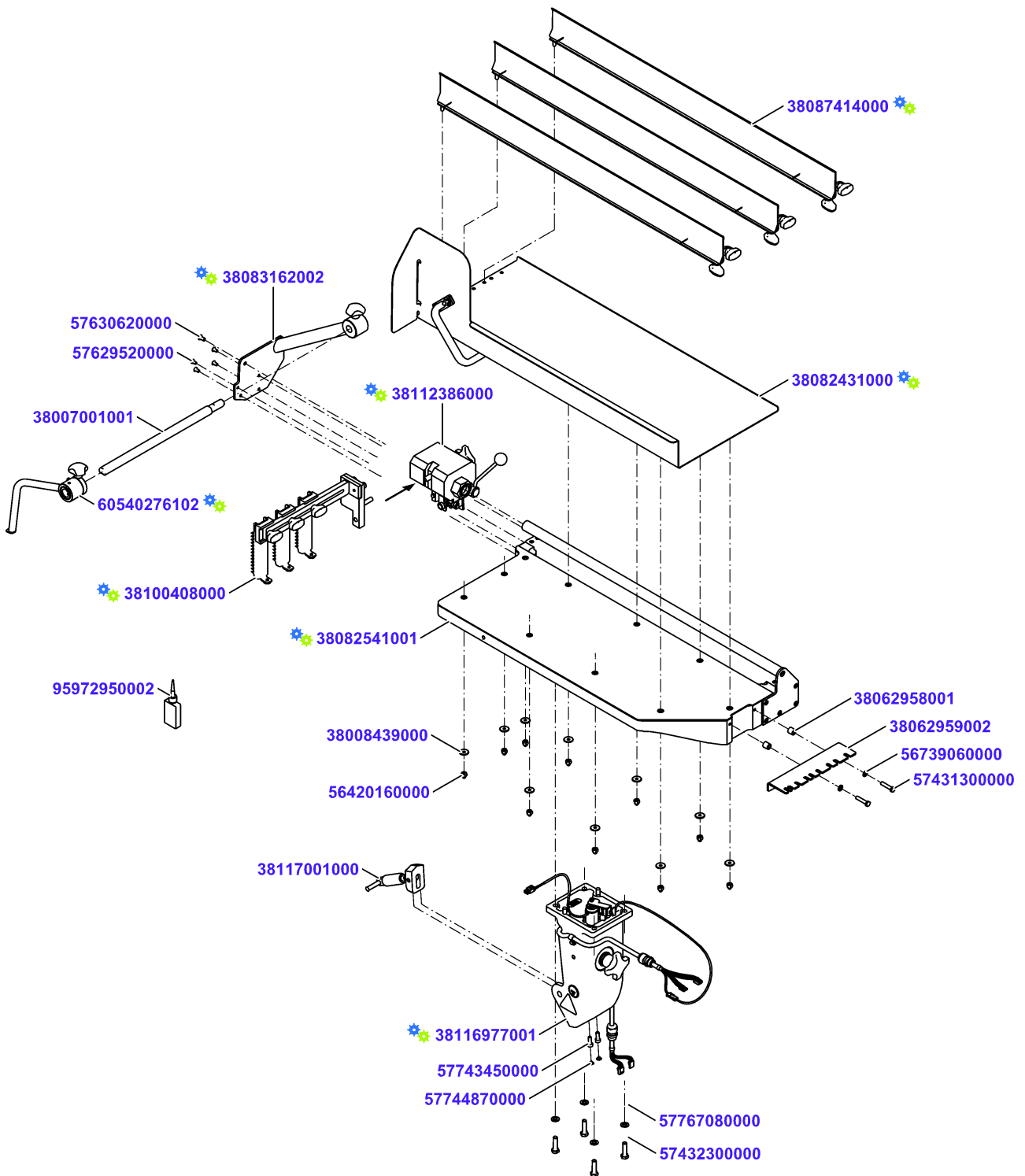
Holding Down Device ass.



Holding Down Device ass.

Material No.	Qty	Material description	available for order	Wear part	Recomm. sp. part	Metr. relevance
60540276201	1	Holding Down Device preass.				
56187830000	1	Cylindrical pin EN 22338-5m6x10-A2				
60540276701	1	hub				
56187780000	1	Cylindrical pin EN 22338-4m6x6-A2				
60520200143	1	torsion spring				
96055070000	0,005	Grease PARALIQ GA 343				

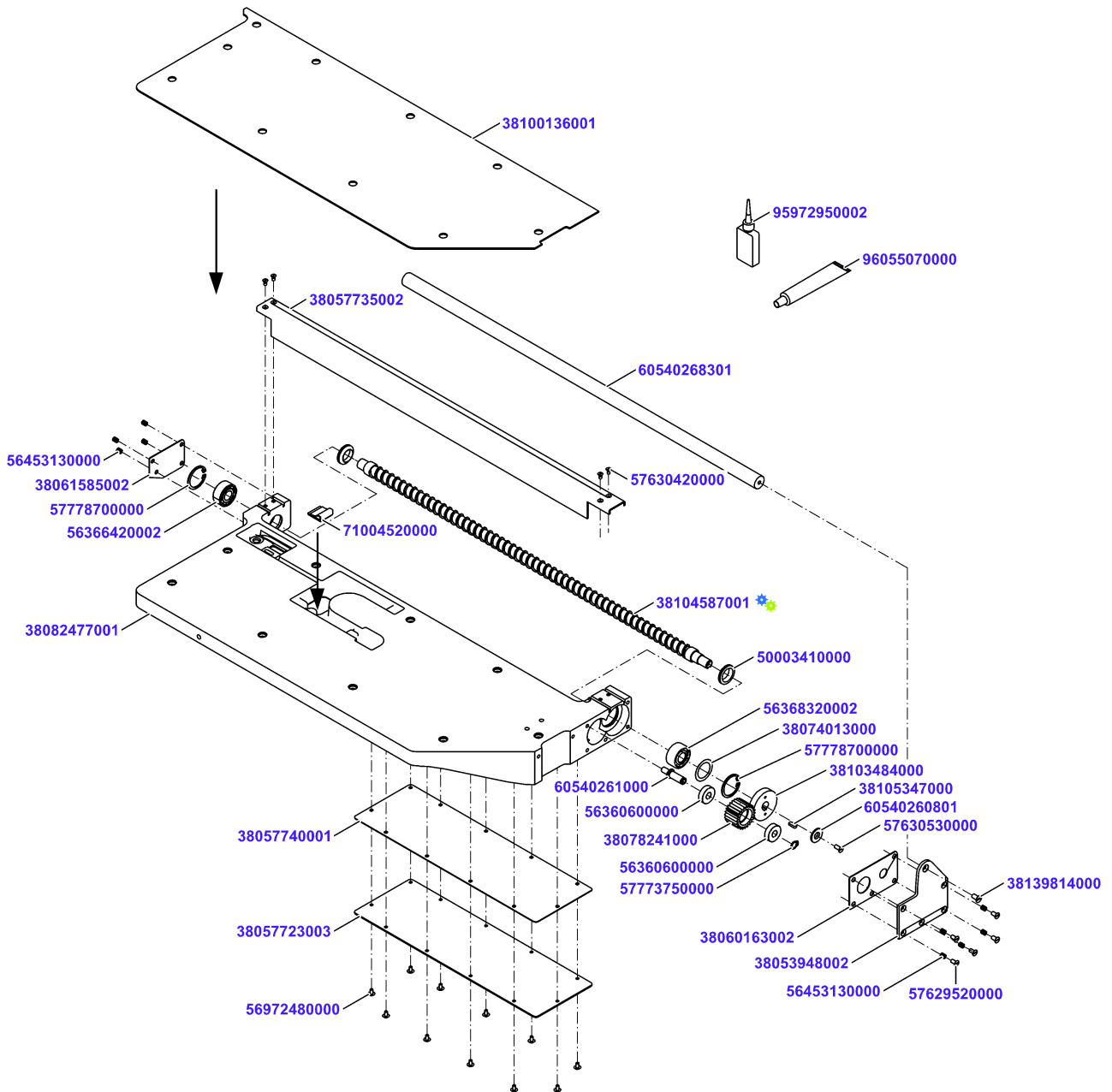
Carriage 600 template



Carriage 600 template

Material No.	Qty	Material description	available for order	Wear part	Recomm. sp. part	Metr. relevance
38082541001	1	Carriage 600 cpl.				
38082431000	1	Carriage Plate Template preass	✓			
56420160000	10	Cap nut DIN986-M6-A2	✓			
38008439000	10	Sealing washer M6	✓		✓	
38083162002	1	Product Supporter top NSF cpl				
57629520000	4	Countersunk screw DIN963 M5x10-A2-70	✓			
95972950002	0,001	Loctite 243 50 ml	✓			
57630620000	1	Countersunk screw DIN963 M6x12-A2-70	✓			
38116977001	1	Carriage Foot high cpl.				
57432300000	4	Hexagon screw DIN933 M8x30 A2-70	✓			
57767080000	4	Spring lock washer DIN128-A8-A2	✓			
38117001000	1	Gas pressure spring carriage 600 cpl	✓		✓	
57743450000	2	Cylinder screw DIN912 M6x16-A2-70	✓			
57744870000	2	Protective plug 10x5,2x3,1-PE	✓		✓	
38087414000	3	metal sheet insert cpl mach	✓			
38062959002	1	Angle	✓			
38062958001	2	Spacer	✓			
57431300000	2	Hexagon screw DIN933 M6x30 A2-70	✓			
56739060000	2	Washer DIN125-A-6-A2	✓			
38007001001	1	Axis 18x342	✓			
60540276102	1	Holding Down Device ass.	✓			
38100408000	1	Product Holder cpl. Carriage guide ruler	✓			
38112386000	1	Product Holder Guide NSF cpl	✓			

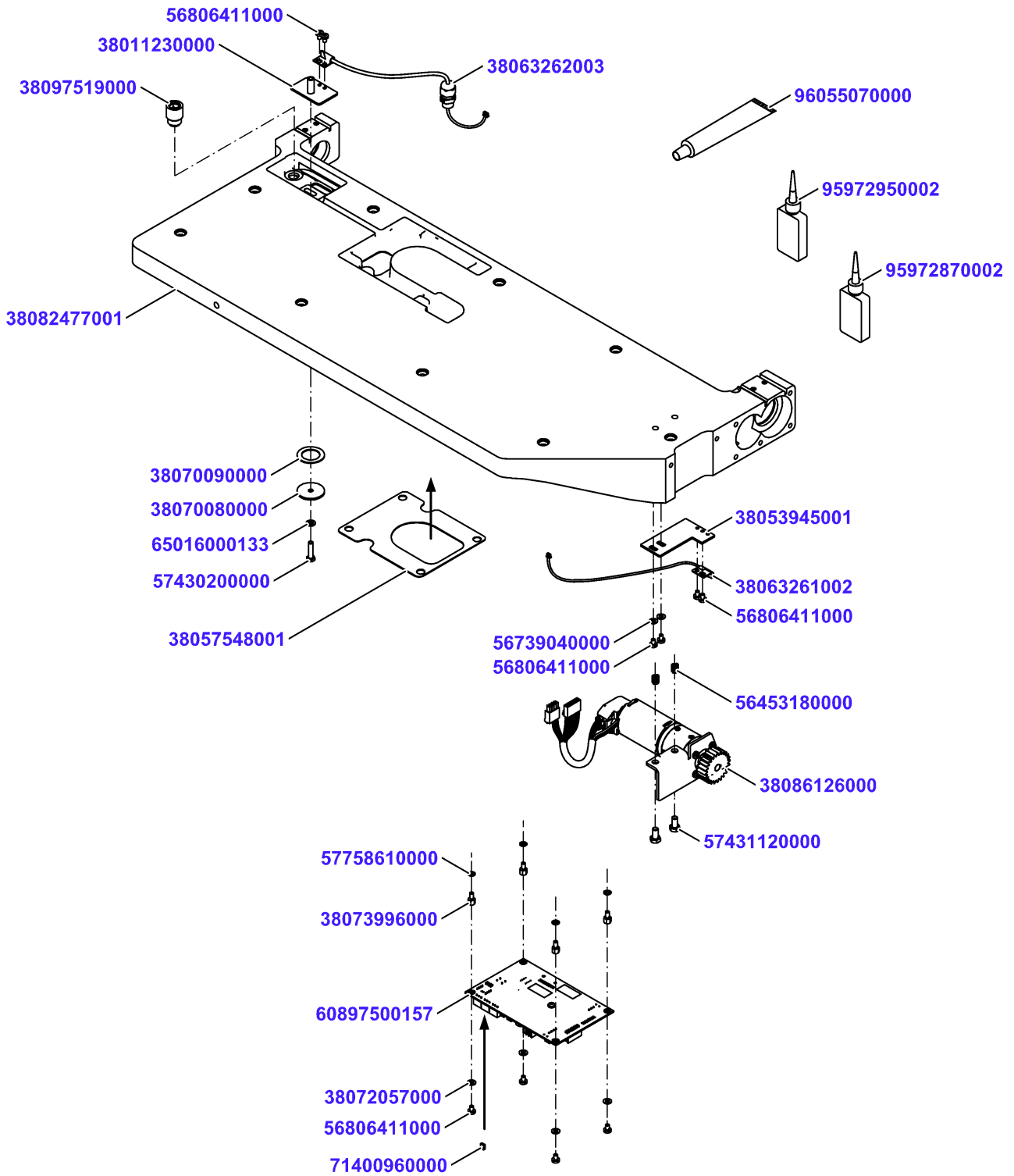
Carriage 600 cpl.



Carriage 600 cpl.

Material No.	Qty	Material description	available for order	Wear part	Recomm. sp. part	Metr. relevance
38082477001	1	Carriage 600 cast machined	✓			
56453130000	9	Thread insert M5x7,5-A2	✓			
56366420002	1	Self-Aligning Ball Bearing 2202	✓			
57778700000	1	Retaining ring DIN472-35x1,5	✓			
50003410000	1	Wiper ring 30x20x7	✓			
38104587001	1	Feedspindle 721xTR20X12 ass.	✓			
50003410000	1	Wiper ring 30x20x7	✓			
56368320002	1	Angular bearing double-row 15x35x15,9	✓			
57778700000	1	Retaining ring DIN472-35x1,5	✓			
38074013000	1	Shim ring DIN988-25x35x0,1	✓			
38103484000	1	Gear Wheel	✓			
96055070000	0,001	Grease PARALIQ GA 343	✓			
38105347000	1	Parallel key DIN6885-A 5x3x14	✓			
60540260801	1	Washer	✓			
57630530000	1	Countersunk screw DIN963 M5x12-A2-70	✓			
95972950002	0,001	Loctite 243 50 ml	✓			
60540261000	1	bolt	✓			
38078241000	1	Gear Wheel	✓			
56360600000	2	Grooved ball bearing DIN625 10x26x8	✓			
57773750000	1	Retaining ring DIN471-10x1	✓			
38057735002	1	Guide Rail 600er	✓			
57630420000	4	Countersunk screw DIN963 M4x8-A2-70	✓			
71004520000	1	Flat Cabel Holder 3484-1000	✓			
38053948002	1	Flange	✓			
38060163002	1	Sealing	✓		✓	
57629520000	5	Countersunk screw DIN963 M5x10-A2-70	✓			
38061585002	1	sealing	✓		✓	
60540268301	1	guide shaft	✓			
38139814000	1	Screw DIN963 M6x12-A2 - Precote 80-8	✓		✓	
38100136001	1	Flat Seal Carriage Plate 600	✓		✓	
38057723003	1	Cover 378x119,1x2	✓			
38057740001	1	Seal long	✓		✓	
56972480000	11	Mushroom head screw M4x8-A2-70 Tuflok	✓			

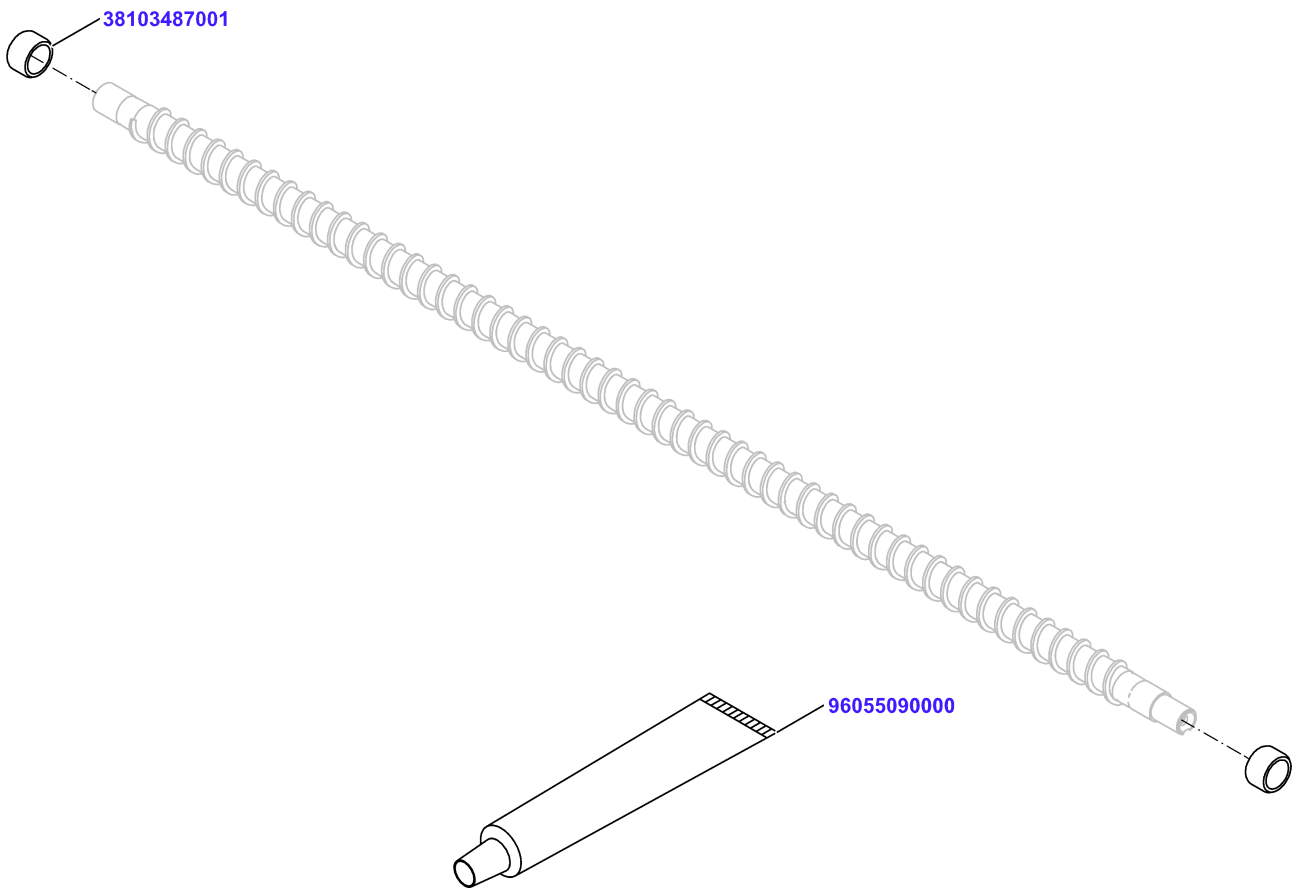
Carriage 600 cpl.



Carriage 600 cpl.

Material No.	Qty	Material description	available for order	Wear part	Recomm. sp. part	Metr. relevance
38082477001	1	Carriage 600 cast machined	✓			
56453180000	2	Threaded insert M6x9	✓			
96055070000	0,001	Grease PARALIQ GA 343	✓			
95972950002	0,001	Loctite 243 50 ml	✓			
38053945001	1	Board	✓			
38063261002	1	Sensor product feeding 1 VSI	✓			
56806411000	4	Oval-head screw ISO14583 M4x6-A2-70-T20	✓			
56739040000	2	Washer DIN125-A 4.3-A2-70	✓			
38011230000	1	Board cpl	✓			
38063262003	1	Sensor product feeding 2 VSI	✓			
56806411000	2	Oval-head screw ISO14583 M4x6-A2-70-T20	✓			
38070080000	1	Washer	✓			
38070090000	1	Sealing	✓		✓	
57430200000	1	Hexagon screw DIN933 M5x20 A2-70	✓			
65016000133	1	Washer 5-PA	✓			
38097519000	1	Sleeve 18 x 10 x 24.25	✓			
95972870002	0,001	Loctite 638	✓			
38086126000	1	Motor Product Feeding BG42x15 cpl	✓			
57431120000	2	Hexagon screw DIN933 M6x12 A2-70	✓			
60897500157	1	PCBAP MC 3ph 2ch lv bus	✓			
71400960000	1	Short Circuit Bracket 3131 731000406	✓		✓	
57758610000	4	Toothed washer DIN6797-A 4,3-Fst	✓			
38073996000	4	Distance bolt SW7x6 M4-M4 In-Out	✓			
56806411000	4	Oval-head screw ISO14583 M4x6-A2-70-T20	✓			
38072057000	4	Washer DIN125-A-4-PA6	✓			
38057548001	1	Seal	✓		✓	

Feedspindle 721xTR20X12 ass.

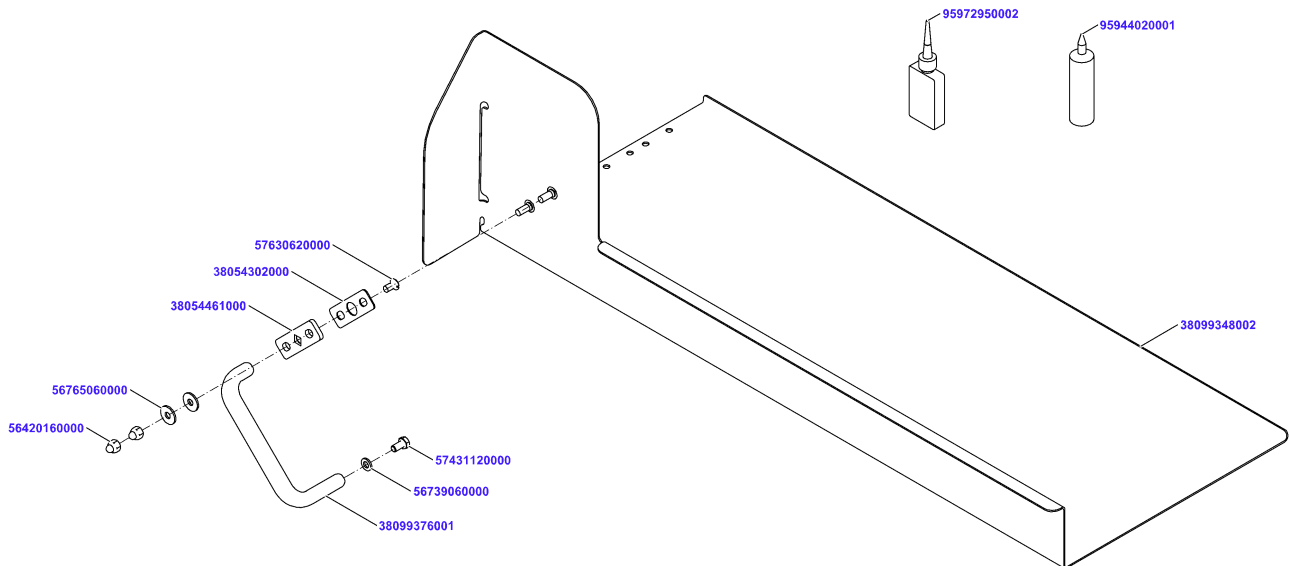


Feedspindle 721xTR20X12 ass.

Material No.	Qty	Material description
38103487001	2	Ring 12x20x15H7
96055090000	0,002	Assembly-paste Rivolta F.L.A. 100 ml

available for order
Wear part
Recomm. sp. part
Metr. relevance

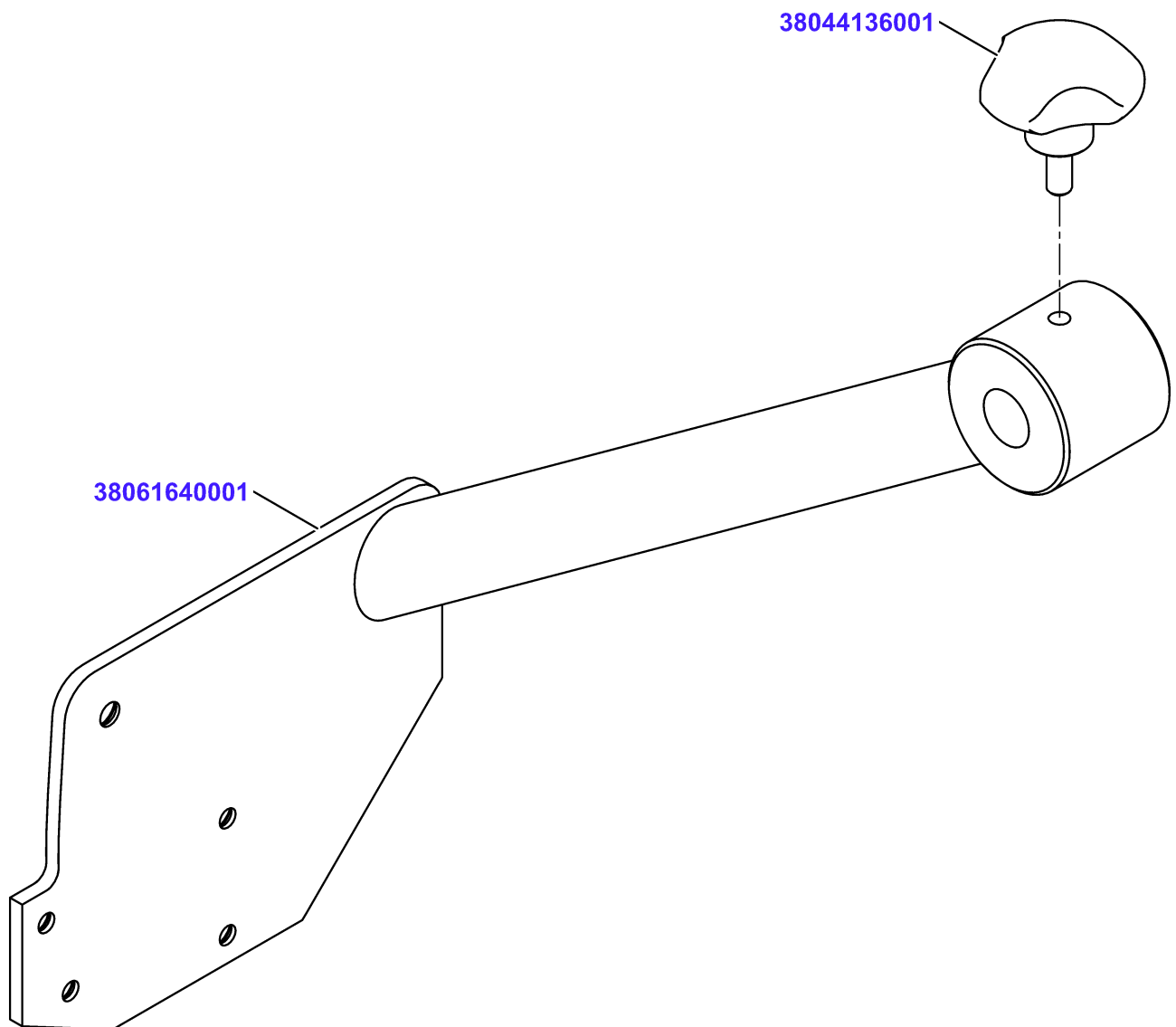
Carriage Plate Template preass



Carriage Plate Template preass

Material No.	Qty	Material description	available for order	Wear part	Recomm. sp. part	Metr. relevance
38099348002	1	Carriage Plate welded	✓			
38099376001	1	Handle	✓			
38054461000	1	Plate	✓			
38054302000	1	Gasket	✓		✓	
95944020001	10	Silicone Rubber Elastosil E41 90ml	✓			
57630620000	1	Countersunk screw DIN963 M6x12-A2-70	✓			
95972950002	0,001	Loctite 243 50 ml	✓			
56420160000	2	Cap nut DIN986-M6-A2	✓			
56765060000	2	Washer DIN9021-6-A2	✓			
57431120000	1	Hexagon screw DIN933 M6x12 A2-70	✓			
56739060000	1	Washer DIN125-A-6-A2	✓			

Product Supporter top NSF cpl

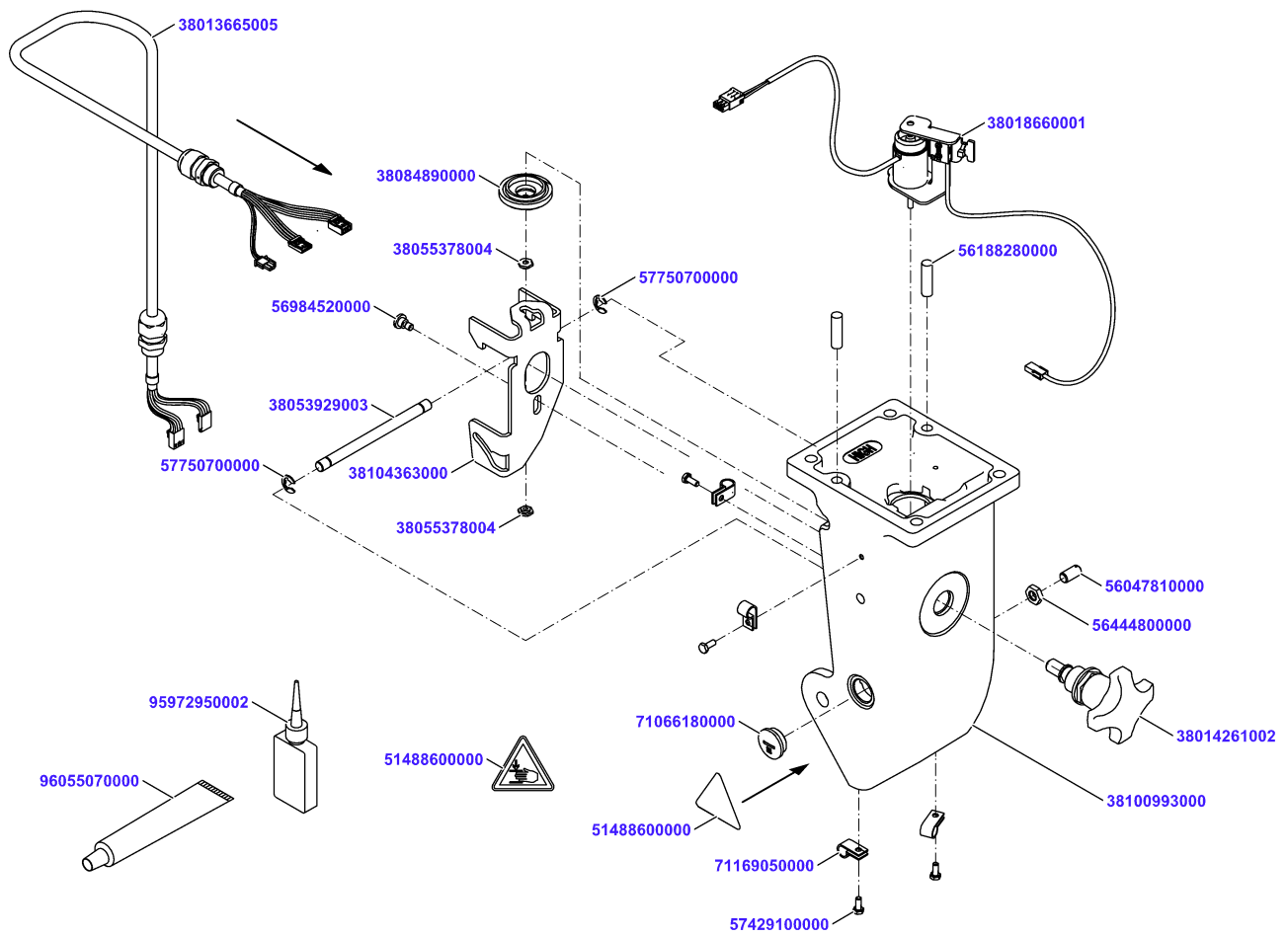


Product Supporter top NSF cpl

Material No.	Qty	Material description
38061640001	1	Mounting welded
38044136001	1	Handle with screw M6 x 14,75

available for order
Wear part
Recomm. sp. part
Metr. relevance

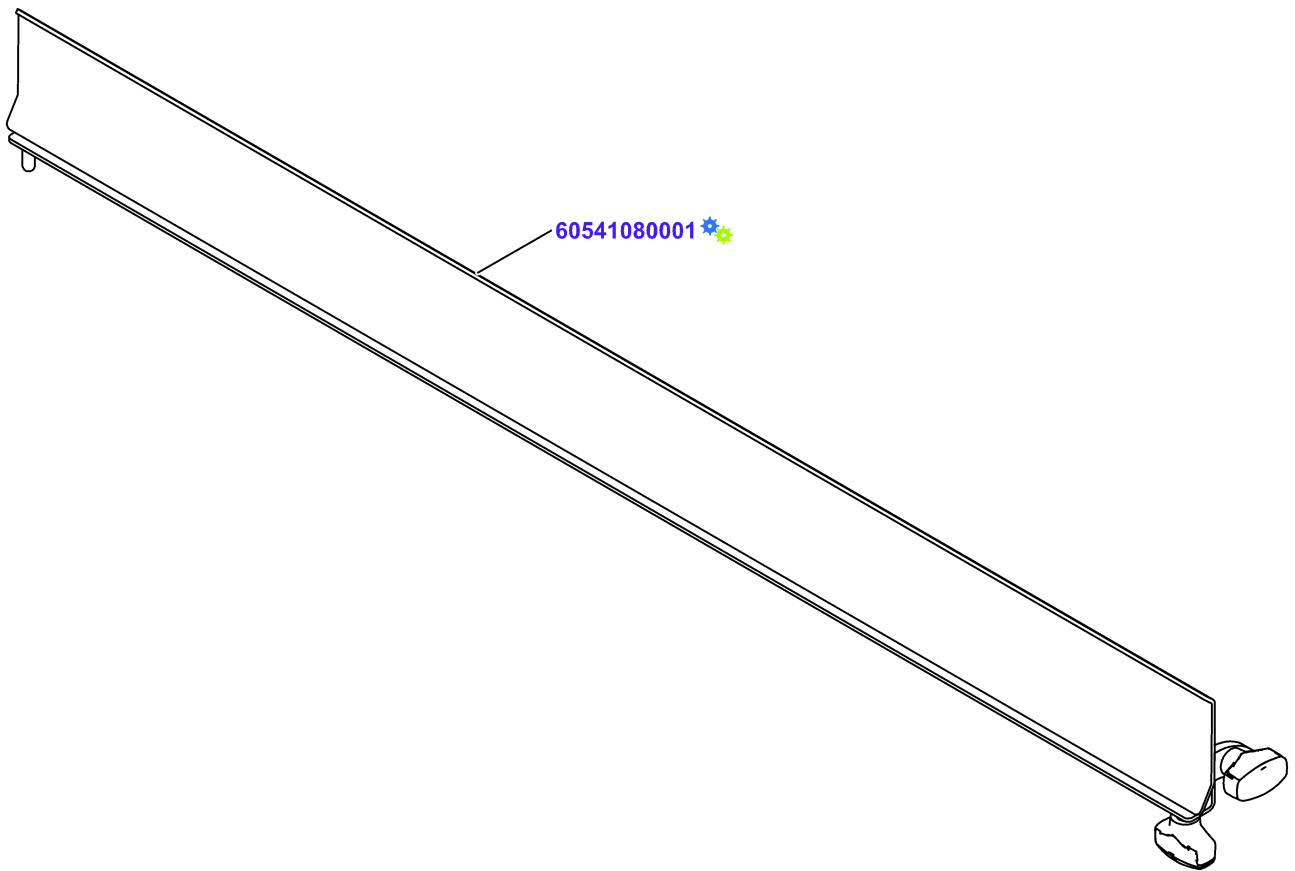
Carriage Foot high cpl.



Carriage Foot high cpl.

Material No.	Qty	Material description	available for order	Wear part	Recomm. sp. part	Metr. relevance
38100993000	1	Carriage Foot high hygienic mach				
56188280000	2	Cylindrical pin EN 22338-8m6x28-A2				
56047810000	1	Set screw DIN551 M8x16-PA 66				
56444800000	1	Hexagon nut DIN439-M8-A2				
38018660001	1	Magnet preass				
38084890000	1	Cap preass				
38055378004	2	Hexagon nut				
95972950002	0,001	Loctite 243 50 ml				
38104363000	1	Interlock				
96055070000	0,001	Grease PARALIQ GA 343				
56984520000	1	Pan head screw DIN923 M5x4A2-70				
71066180000	1	Blind plug BLK- M20				
38014261002	1	Handle preass.				
38053929003	1	Stop Bolt				
57750700000	2	Retaining washer DIN6799-7				
71169050000	4	Cable Clamp nylon 7,4mm NK-5N				
38013665005	1	Ka Rd 12x24AWG 0,87m				
57429100000	4	Hexagon screw DIN933 M4x10 A2-70				
51488600000	1	Warning Plate Hand Injury 7.29K				

metal sheet insert cpl mach



metal sheet insert cpl mach

Material No.	Qty	Material description
60541080001	1	Metal Sheet Insert cpl.

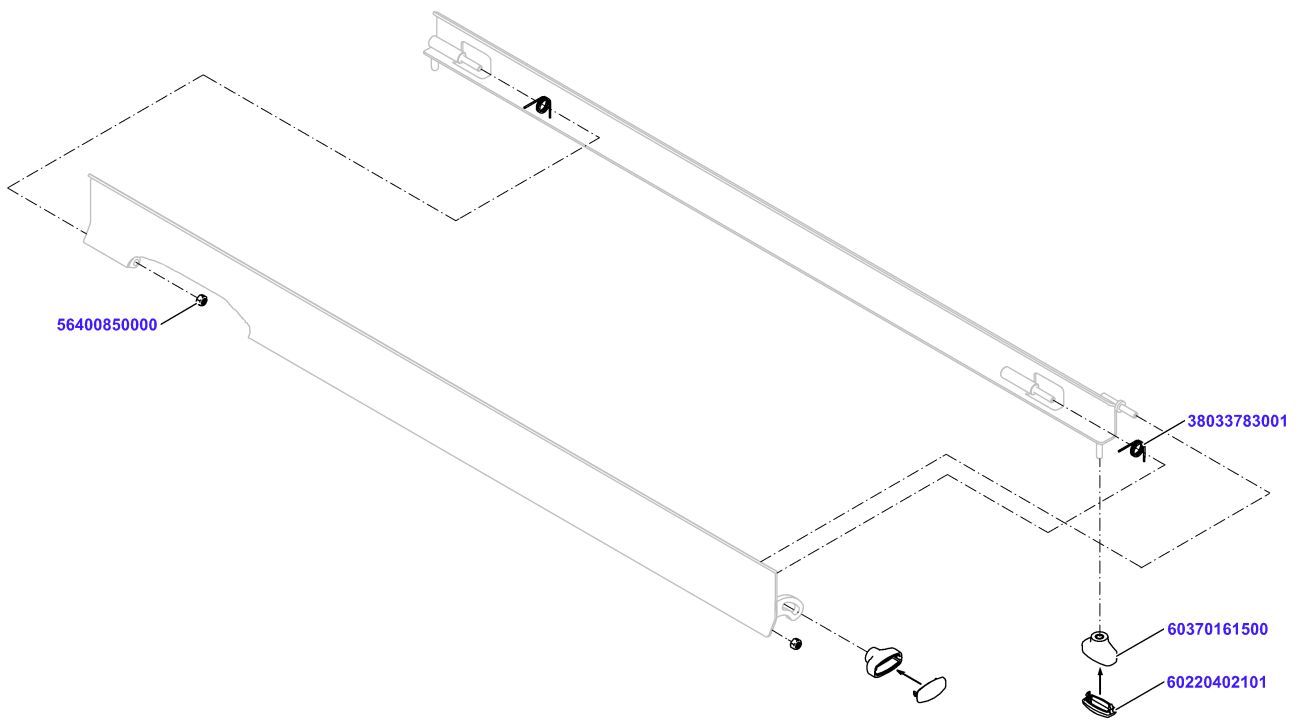
available for order

Wear part

Recomm. sp. part





Metr. relevance

Metal Sheet Insert cpl.

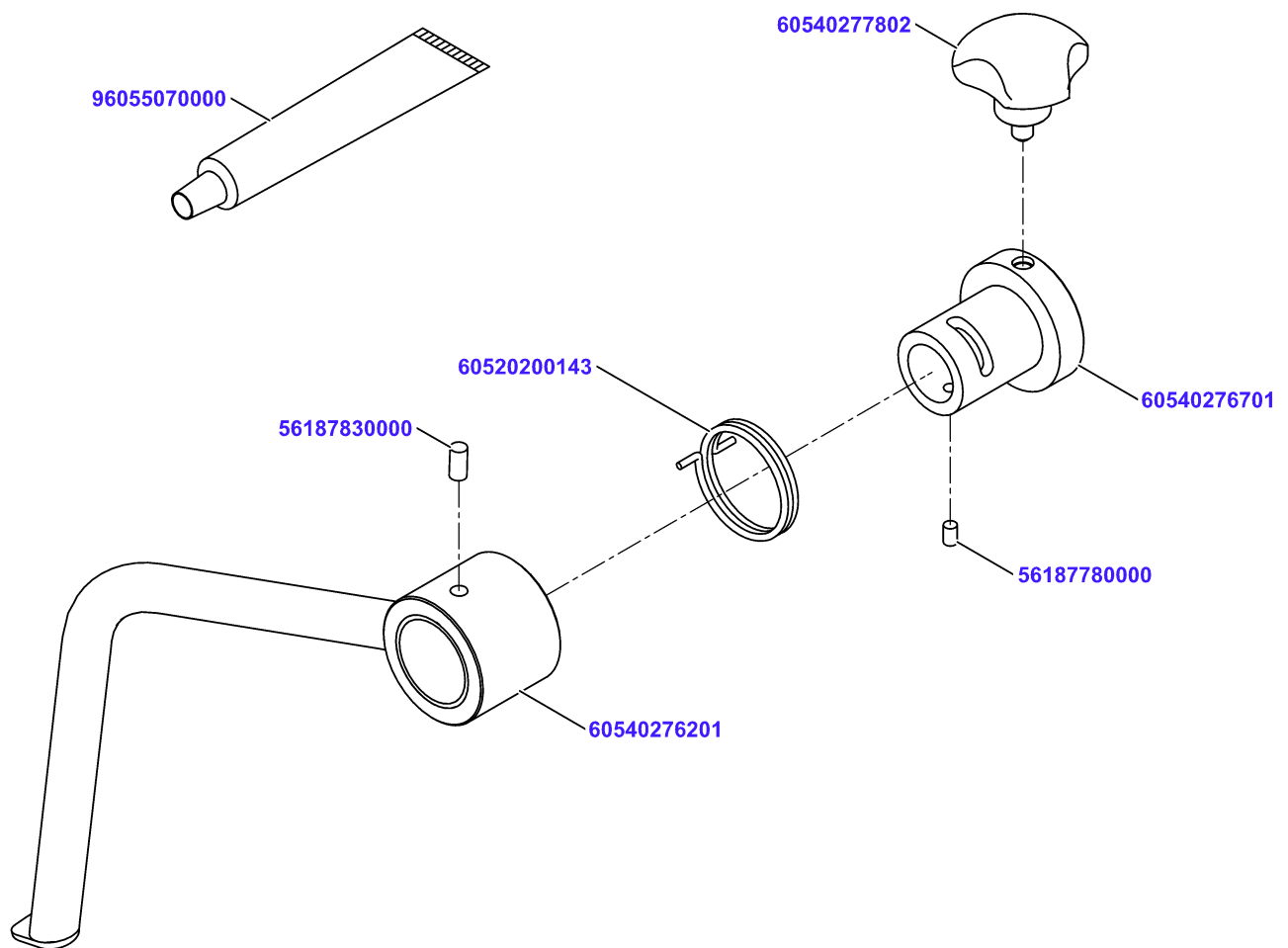


Metal Sheet Insert cpl.








Material No.	Qty	Material description
56400850000	2	Lock nut DIN985-M5-A2
60370161500	2	Clamp handle small M 5
60220402101	2	cover
38033783001	2	Torsion Spring 13,4x5,1x1,2x15/20

available for order	Wear part	Recomm. sp. part	Metr. relevance
			
			
			
			

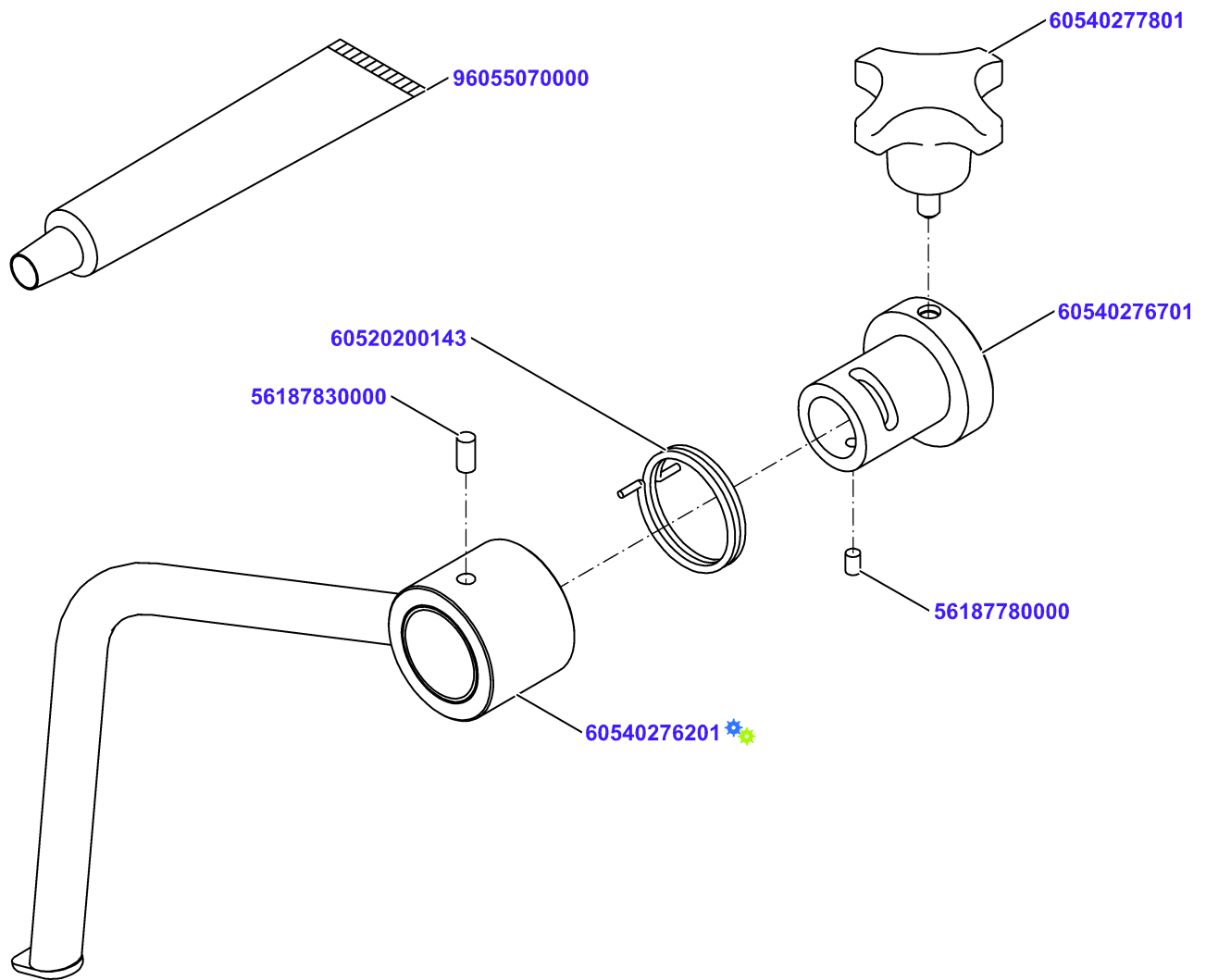
Holding Down Device ass.



Holding Down Device ass.

Material No.	Qty	Material description	available for order	Wear part	Recomm. sp. part	Metr. relevance
60540276201	1	Holding Down Device preass.				
56187830000	1	Cylindrical pin EN 22338-5m6x10-A2				
60540276701	1	hub				
60540277802	1	Handle with screw M6 x 13,55				
56187780000	1	Cylindrical pin EN 22338-4m6x6-A2				
60520200143	1	torsion spring				
96055070000	0,005	Grease PARALIQ GA 343				

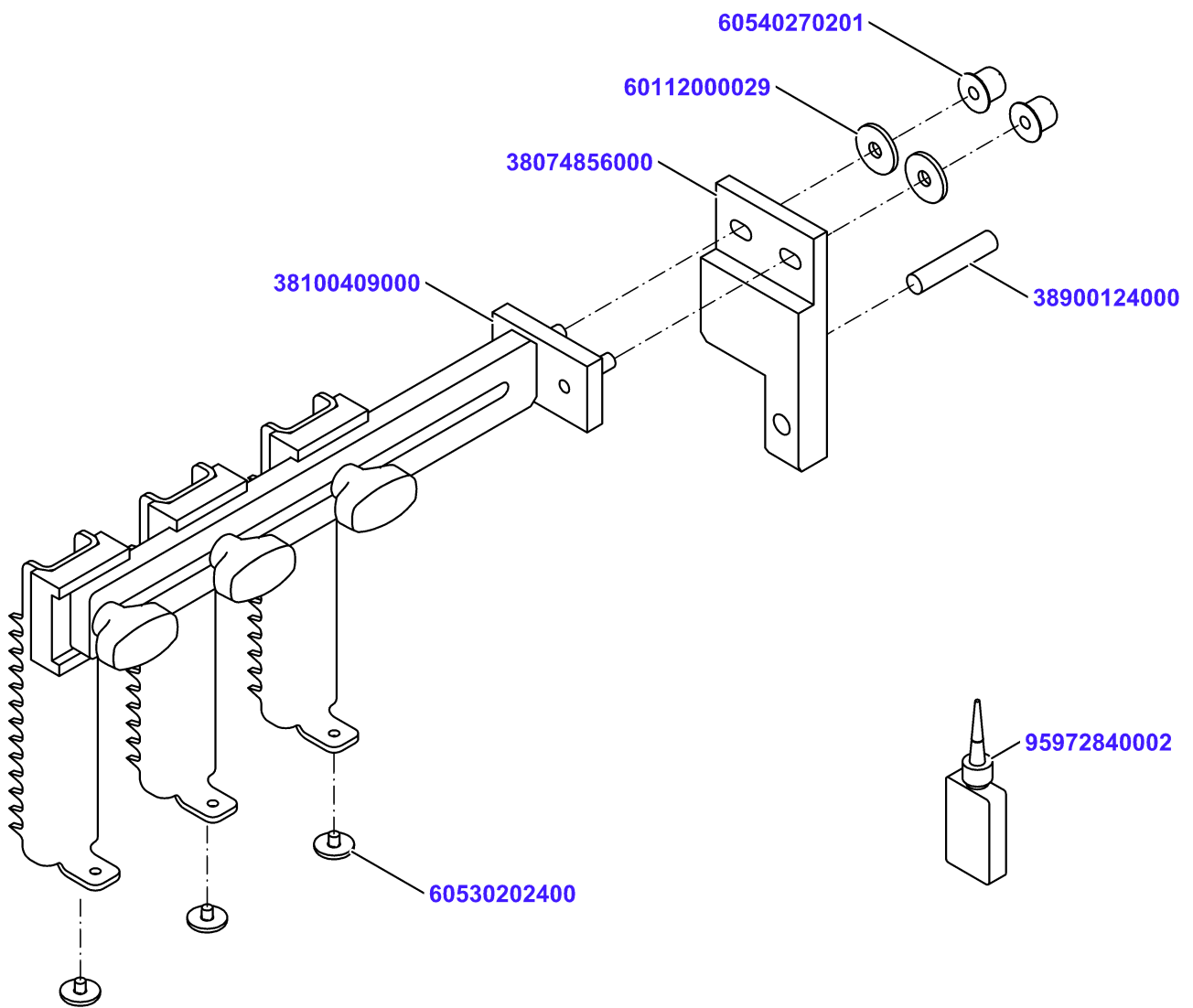
Holding Down Device ass.



Holding Down Device ass.

Material No.	Qty	Material description	available for order	Wear part	Recomm. sp. part	Metr. relevance
60540276201	1	Holding Down Device preass.				
56187830000	1	Cylindrical pin EN 22338-5m6x10-A2				
60540276701	1	hub				
56187780000	1	Cylindrical pin EN 22338-4m6x6-A2				
60520200143	1	torsion spring				
96055070000	0,005	Grease PARALIQ GA 343				

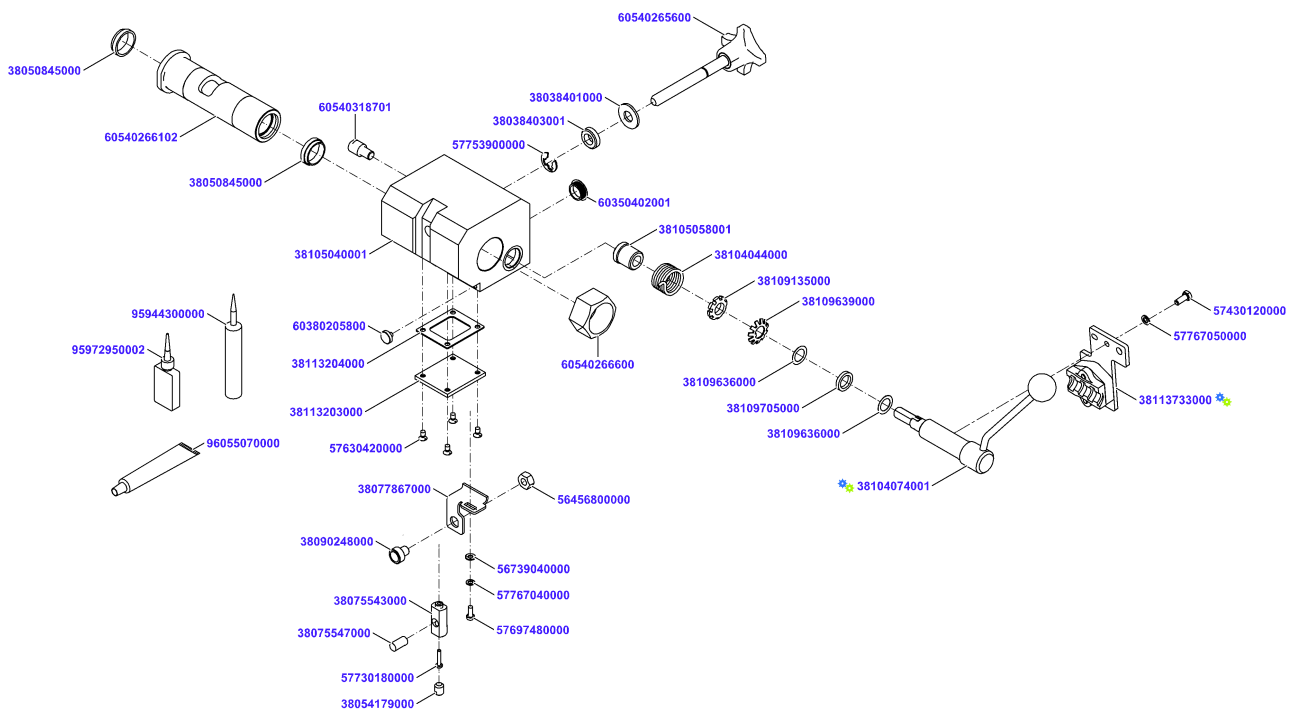
Product Holder cpl. Carriage guide ruler



Product Holder cpl. Carriage guide ruler

Material No.	Qty	Material description	available for order	Wear part	Recomm. sp. part	Metr. relevance
38100409000	1	Product Holder with guide feeder	✓			
60530202400	3	slider	✓			
38074856000	1	Feeder Adapter	✓			
60112000029	2	Washer	✓			
60540270201	2	Cap nut M6	✓		✓	
38900124000	1	Cylindrical pin EN 22338-8m6x40-A2	✓			
95972840002	0,001	Loctite 648 10ml.	✓			

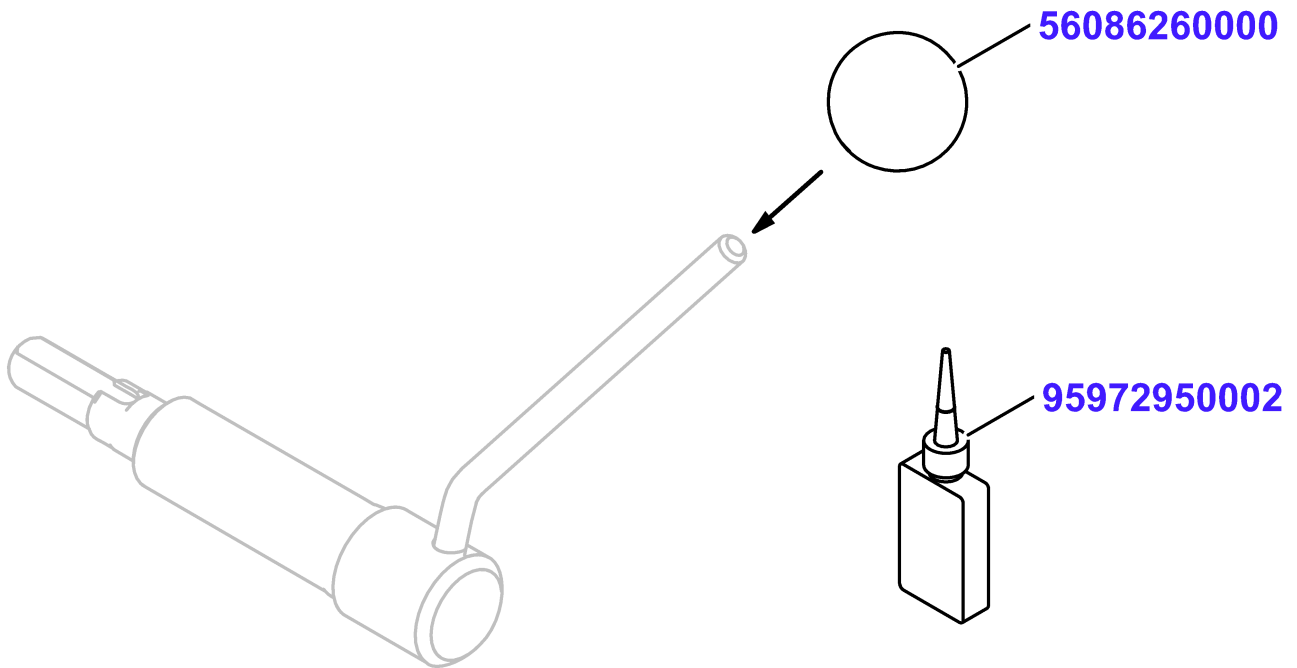
Product Holder Guide NSF cpl



Product Holder Guide NSF cpl

Material No.	Qty	Material description	available for order	Wear part	Recomm. sp. part	Metr. relevance
38105040001	1	Product Holder Guide	✓			
60540265600	1	locking lever mount.	✓			
38038401000	1	washer	✓			
38038403001	1	Bushing 19,1x10,7x5	✓			
57753900000	1	Retaining washer DIN6799-9	✓			
60540266102	1	Bushing complete	✓			
38050845000	2	Deflector Ring	✓			
60540266600	1	hex nut	✓			
38109705000	1	Shaft seal 12x18x3	✓			
38109636000	1	Shim ring DIN988-12x18x0,2	✓			
38104074001	1	Bolt NSF cpl	✓			
38109636000	1	Shim ring DIN988-12x18x0,2	✓			
38109639000	1	Safety plate DIN5406-MB1	✓			
38109135000	1	Grooved nut M12 x 0.5	✓			
38105058001	1	Bushing 19,5/18x10,2x21	✓			
38104044000	1	Torsion spring left	✓			
96055070000	0,005	Grease PARALIQ GA 343	✓			
38113733000	1	Holder preassembled	✓			
57767050000	1	Spring lock washer DIN128-A5-FSt	✓			
57430120000	1	Hexagon screw DIN933 M5x12 A2-70	✓			
60350402001	1	Protective plug	✓			
95944300000	0,005	Kitchen silicone ELASTO4710	✓			
38113203000	1	cover	✓			
38113204000	1	Seal 47x40x1	✓			
57630420000	4	Countersunk screw DIN963 M4x8-A2-70	✓			
38077867000	1	Magnet Base	✓			
38090248000	1	Magnet Vacodym 370 wz round 10x4 preass	✓			
56456800000	1	Hexagon nut DIN934-M8-A2	✓			
57697480000	1	Cylinder screw DIN84 M4x10-A2-70	✓			
56739040000	1	Washer DIN125-A 4.3-A2-70	✓			
57767040000	1	Spring lock washer DIN128-A4-FSt	✓			
38075543000	1	Mounting Pin	✓			
57730180000	1	Oval-head screw ISO14583 M3x16-A2-70-T10	✓			
38075547000	1	Parallel Pin 8x15	✓			
38054179000	1	Set screw DIN438 M8x10-A2-70	✓			
60380205800	1	SLIDE PIN	✓			
60540318701	1	stop pin	✓			
95972950002	0,001	Loctite 243 50 ml	✓			

Bolt NSF cpl

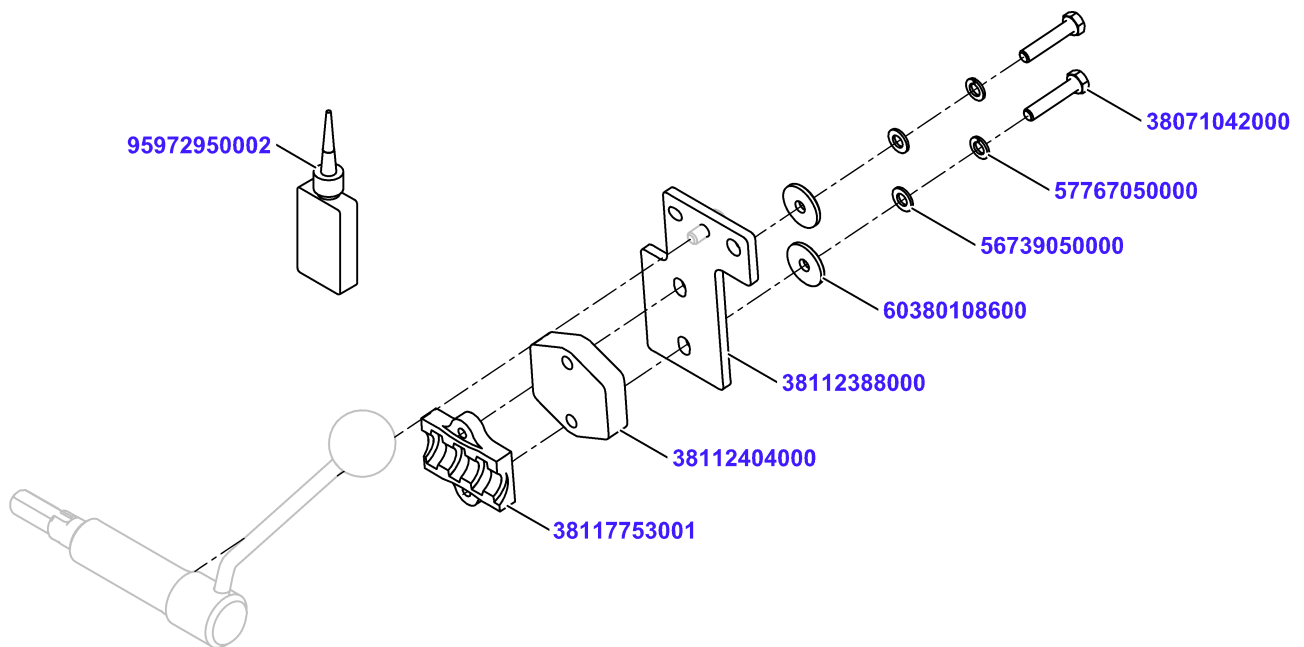


Bolt NSF cpl

Material No.	Qty	Material description
56086260000	1	Ball knob DIN319 M6x25 I
95972950002	0,001	Loctite 243 50 ml

available for order
Wear part
Recomm. sp. part
Metr. relevance

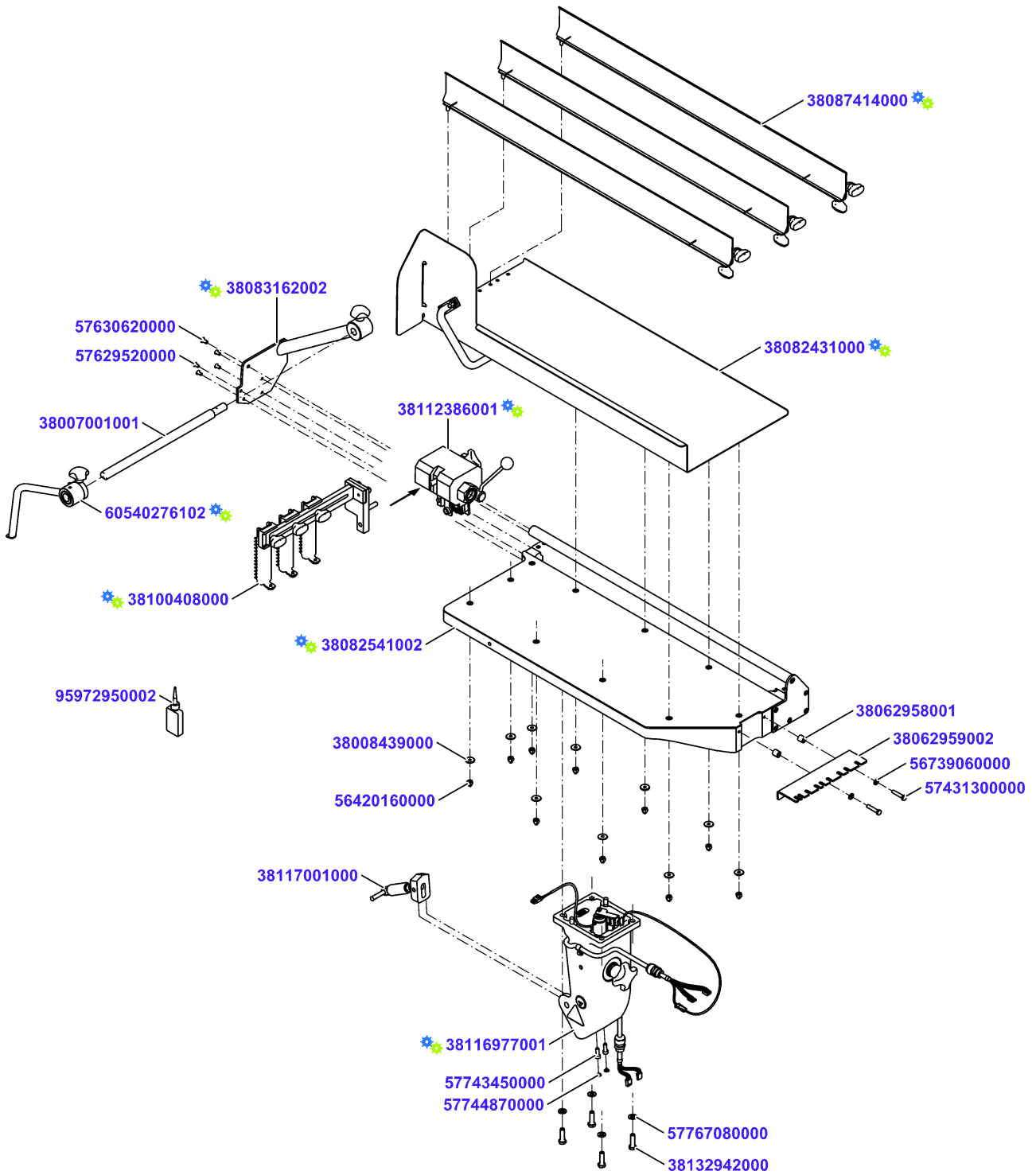
Holder preassembled



Holder preassembled

Material No.	Qty	Material description	available for order	Wear part	Recomm. sp. part	Metr. relevance
38112388000	1	Holder	✓			
38112404000	1	Spacer plate 40x40x10	✓			
38117753001	1	Nut Plate TR20X12P4	✓		✓	
38071042000	2	Hexagon screw DIN933 M5x25 A2-70	✓			
60380108600	2	Washer	✓			
56739050000	2	Washer DIN125-A-5-A2	✓			
57767050000	2	Spring lock washer DIN128-A5-FSt	✓			
95972950002	0,001	Loctite 243 50 ml	✓			

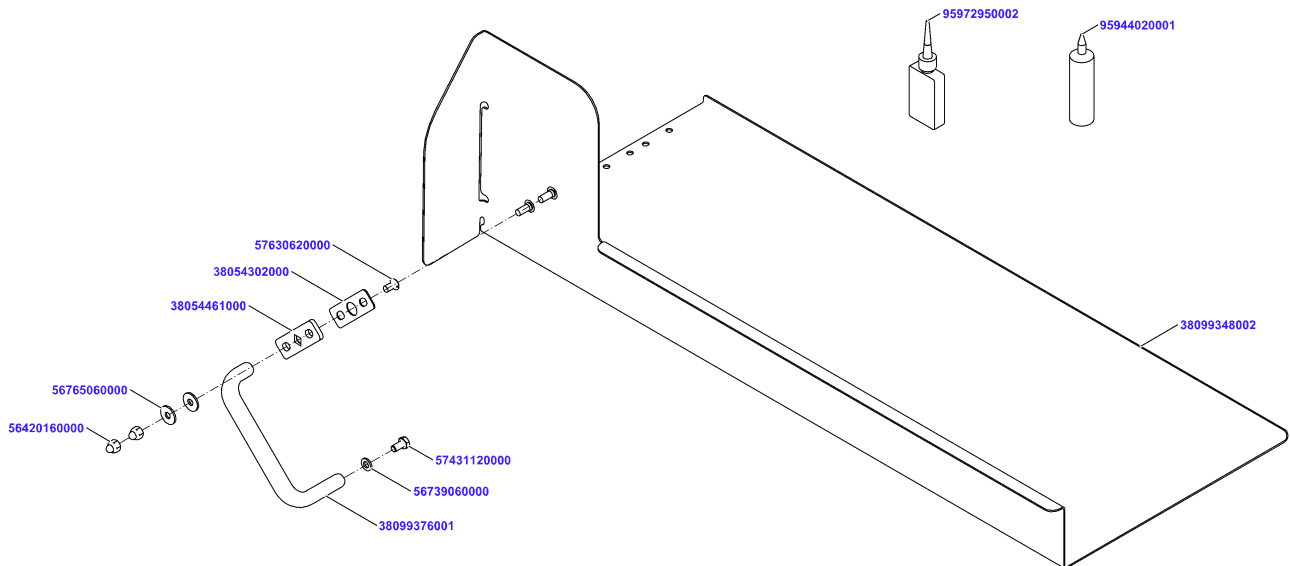
Carriage VSI 600 with guide ruler



Carriage VSI 600 with guide ruler

Material No.	Qty	Material description	available for order	Wear part	Recomm. sp. part	Metr. relevance
38082431000	1	Carriage Plate Template preass	✓			
56420160000	10	Cap nut DIN986-M6-A2	✓			
38008439000	10	Sealing washer M6	✓		✓	
38082541002	1	Carriage 600 premounted	✓			
38083162002	1	Product Supporter top NSF cpl	✓			
57629520000	4	Countersunk screw DIN963 M5x10-A2-70	✓			
95972950002	0,001	Loctite 243 50 ml	✓			
57630620000	1	Countersunk screw DIN963 M6x12-A2-70	✓			
38116977001	1	Carriage Foot high cpl.	✓			
38132942000	4	Hexagon screw DIN 933 M8x28 A2-70	✓			
57767080000	4	Spring lock washer DIN128-A8-A2	✓			
38117001000	1	Gas pressure spring carriage 600 cpl	✓		✓	
57743450000	2	Cylinder screw DIN912 M6x16-A2-70	✓		✓	
57744870000	2	Protective plug 10x5,2x3,1-PE	✓		✓	
38087414000	3	metal sheet insert cpl mach	✓			
38062959002	1	Angle	✓			
38062958001	2	Spacer	✓			
57431300000	2	Hexagon screw DIN933 M6x30 A2-70	✓			
56739060000	2	Washer DIN125-A-6-A2	✓			
38007001001	1	Axis 18x342	✓			
60540276102	1	Holding Down Device ass.	✓			
38100408000	1	Product Holder cpl. Carriage guide ruler	✓			
38112386001	1	Product Holder Guide NSF cpl	✓			

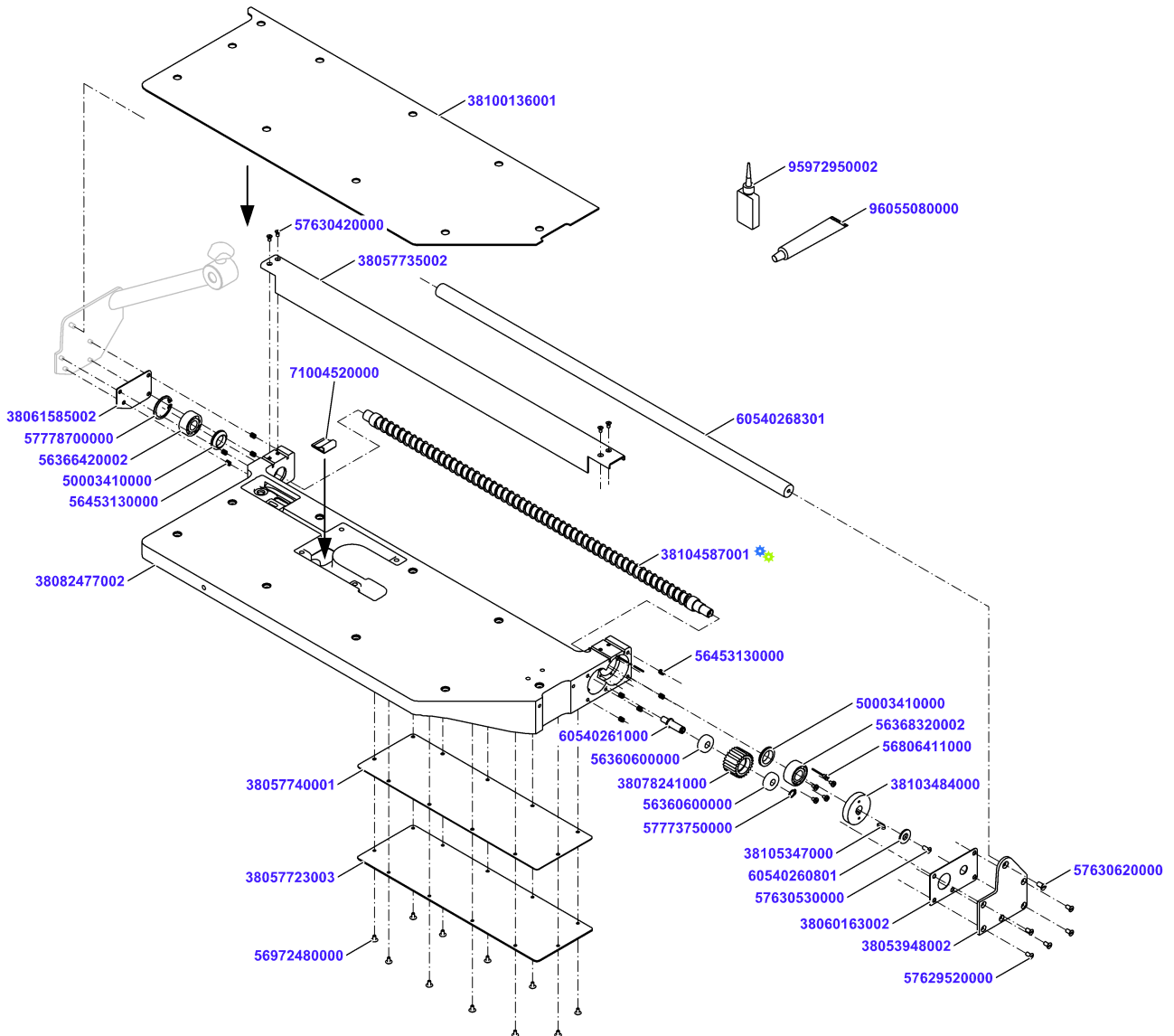
Carriage Plate Template press



Carriage Plate Template preass

Material No.	Qty	Material description	available for order	Wear part	Recomm. sp. part	Metr. relevance
38099348002	1	Carriage Plate welded	✓			
38099376001	1	Handle	✓			
38054461000	1	Plate	✓			
38054302000	1	Gasket	✓		✓	
95944020001	10	Silicone Rubber Elastosil E41 90ml	✓			
57630620000	1	Countersunk screw DIN963 M6x12-A2-70	✓			
95972950002	0,001	Loctite 243 50 ml	✓			
56420160000	2	Cap nut DIN986-M6-A2	✓			
56765060000	2	Washer DIN9021-6-A2	✓			
57431120000	1	Hexagon screw DIN933 M6x12 A2-70	✓			
56739060000	1	Washer DIN125-A-6-A2	✓			

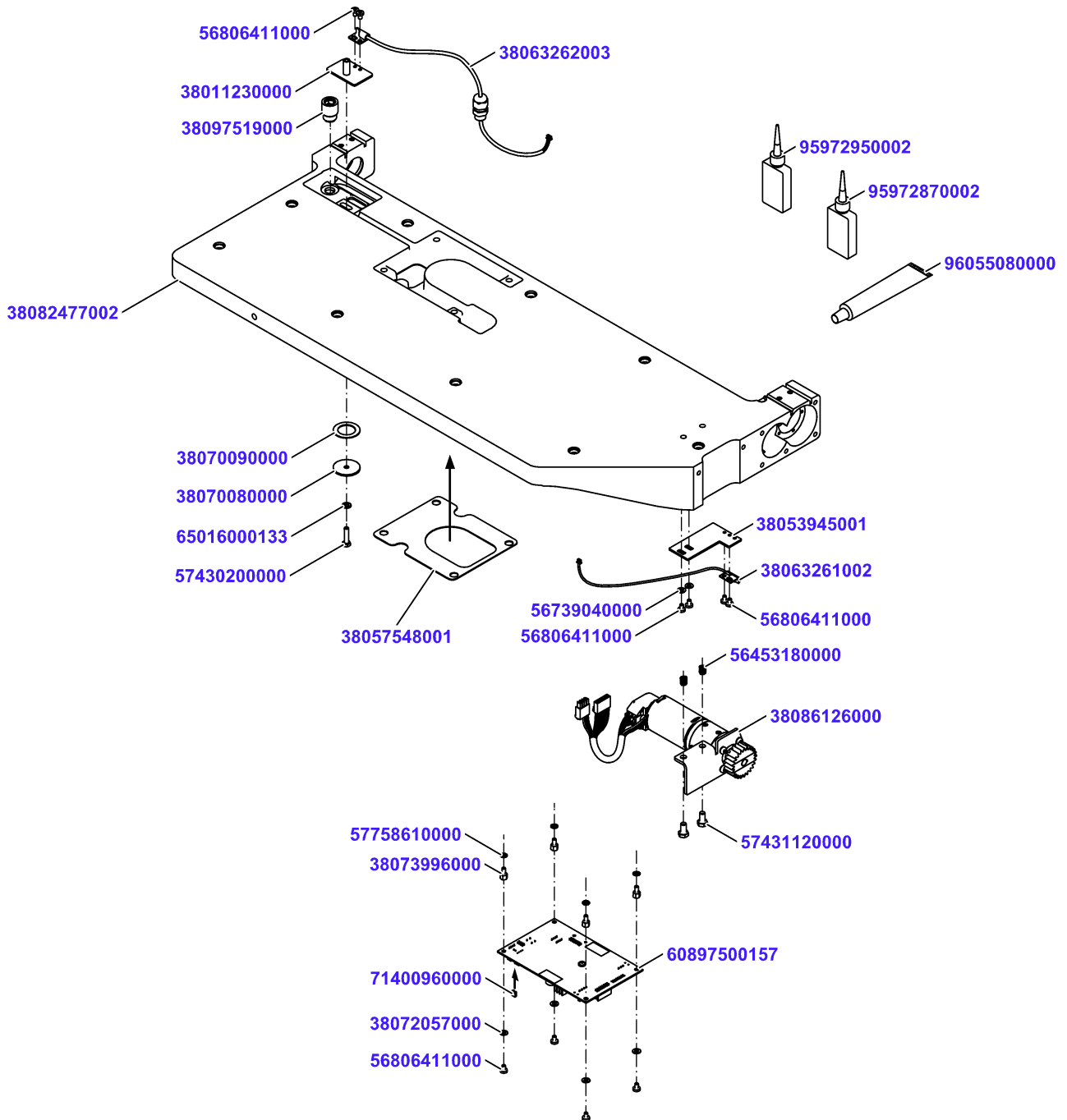
Carriage 600 premounted



Carriage 600 premounted

Material No.	Qty	Material description	available for order	Wear part	Recomm. sp. part	Metr. relevance
38082477002	1	Carriage Carrier 600 machined	✓			
56453130000	9	Thread insert M5x7,5-A2	✓			
57778700000	1	Retaining ring DIN472-35x1,5	✓			
38104587001	1	Feedspindle 721xTR20X12 ass.	✓			
96055080000	0,001	Kluebersynth UH1 64-62/25kg	✓			
56806411000	5	Oval-head screw ISO14583 M4x6-A2-70-T20	✓			
95972950002	0,005	Loctite 243 50 ml	✓			
38103484000	1	Gear Wheel	✓			
38105347000	1	Parallel key DIN6885-A 5x3x14	✓			
60540260801	1	Washer	✓			
57630530000	1	Countersunk screw DIN963 M5x12-A2-70	✓			
60540261000	1	bolt	✓			
38078241000	1	Gear Wheel	✓			
56360600000	2	Grooved ball bearing DIN625 10x26x8	✓			
57773750000	1	Retaining ring DIN471-10x1	✓			
38057735002	1	Guide Rail 600er	✓			
57630420000	4	Countersunk screw DIN963 M4x8-A2-70	✓			
56806411000	4	Oval-head screw ISO14583 M4x6-A2-70-T20	✓			
56806411000	2	Oval-head screw ISO14583 M4x6-A2-70-T20	✓			
71004520000	1	Flat Cabel Holder 3484-1000	✓			
56806411000	4	Oval-head screw ISO14583 M4x6-A2-70-T20	✓			
38053948002	1	Flange	✓			
38060163002	1	Sealing	✓		✓	
57629520000	5	Countersunk screw DIN963 M5x10-A2-70	✓			
38061585002	1	sealing	✓		✓	
60540268301	1	guide shaft	✓			
57630620000	1	Countersunk screw DIN963 M6x12-A2-70	✓			
38100136001	1	Flat Seal Carriage Plate 600	✓		✓	
38057723003	1	Cover 378x119,1x2	✓			
38057740001	1	Seal long	✓		✓	
56972480000	11	Mushroom head screw M4x8-A2-70 Tuflok	✓			
50003410000	2	Wiper ring 30x20x7	✓			
56368320002	1	Angular bearing double-row 15x35x15,9	✓			
56366420002	1	Self-Aligning Ball Bearing 2202	✓			

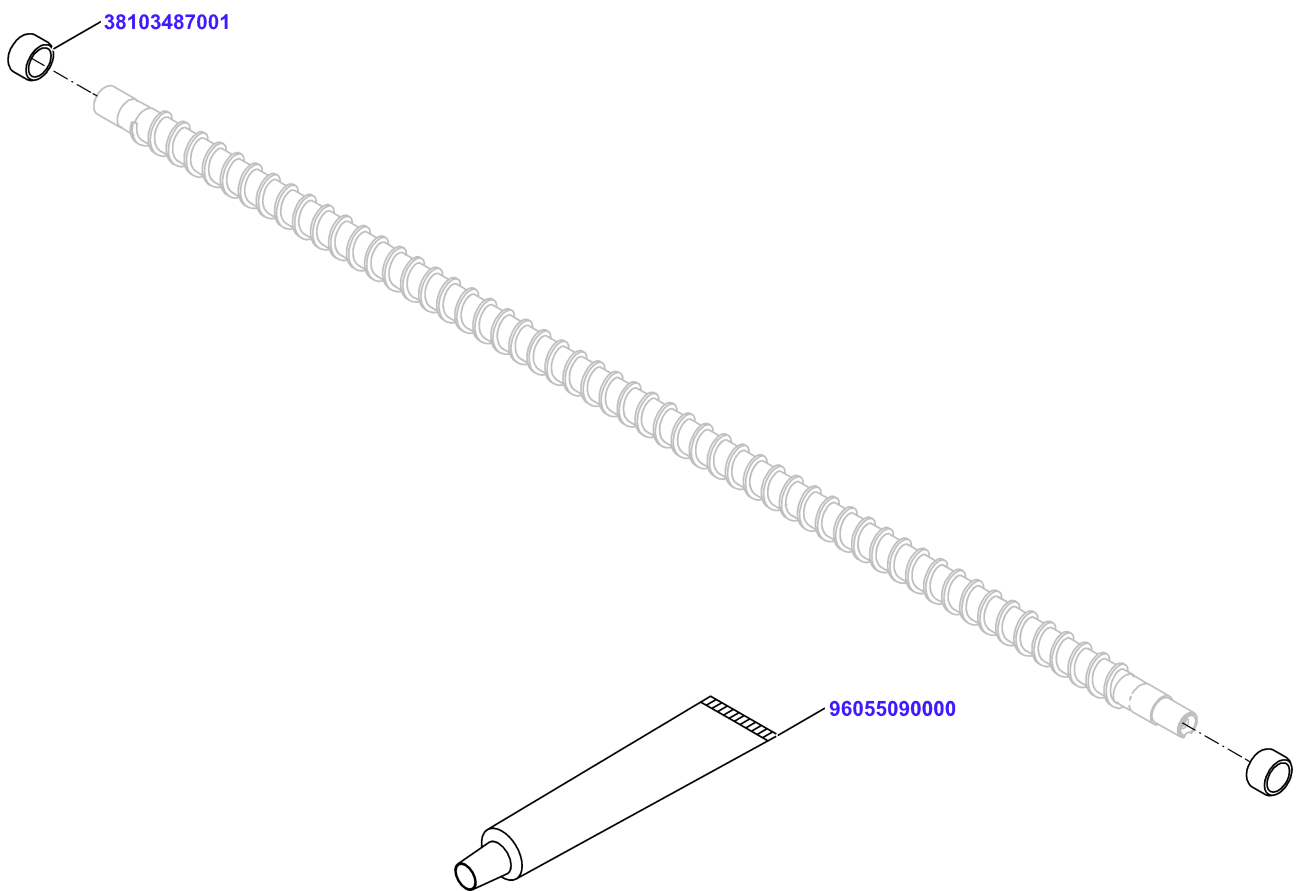
Carriage 600 premounted



Carriage 600 premounted

Material No.	Qty	Material description	available for order	Wear part	Recomm. sp. part	Metr. relevance
38082477002	1	Carriage Carrier 600 machined	✓			
56453180000	2	Threaded insert M6x9	✓			
96055080000	0,001	Kluebersynth UH1 64-62/25kg	✓			
56806411000	5	Oval-head screw ISO14583 M4x6-A2-70-T20	✓			
95972950002	0,005	Loctite 243 50 ml	✓			
38053945001	1	Board	✓			
38063261002	1	Sensor product feeding 1 VSI	✓			
56806411000	4	Oval-head screw ISO14583 M4x6-A2-70-T20	✓			
56739040000	2	Washer DIN125-A 4.3-A2-70	✓			
38011230000	1	Board cpl	✓			
38063262003	1	Sensor product feeding 2 VSI	✓			
56806411000	2	Oval-head screw ISO14583 M4x6-A2-70-T20	✓			
38070080000	1	Washer	✓		✓	
38070090000	1	Sealing	✓		✓	
57430200000	1	Hexagon screw DIN933 M5x20 A2-70	✓			
65016000133	1	Washer 5-PA	✓			
38097519000	1	Sleeve 18 x 10 x 24.25	✓			
95972870002	0,001	Loctite 638	✓			
38086126000	1	Motor Product Feeding BG42x15 cpl	✓			
57431120000	2	Hexagon screw DIN933 M6x12 A2-70	✓			
60897500157	1	PCBAP MC 3ph 2ch lv bus	✓			
71400960000	1	Short Circuit Bracket 3131 731000406	✓		✓	
57758610000	4	Toothed washer DIN6797-A 4,3-Fst	✓			
38073996000	4	Distance bolt SW7x6 M4-M4 In-Out	✓			
56806411000	4	Oval-head screw ISO14583 M4x6-A2-70-T20	✓			
38072057000	4	Washer DIN125-A-4-PA6	✓			
38057548001	1	Seal	✓		✓	

Feedspindle 721xTR20X12 ass.

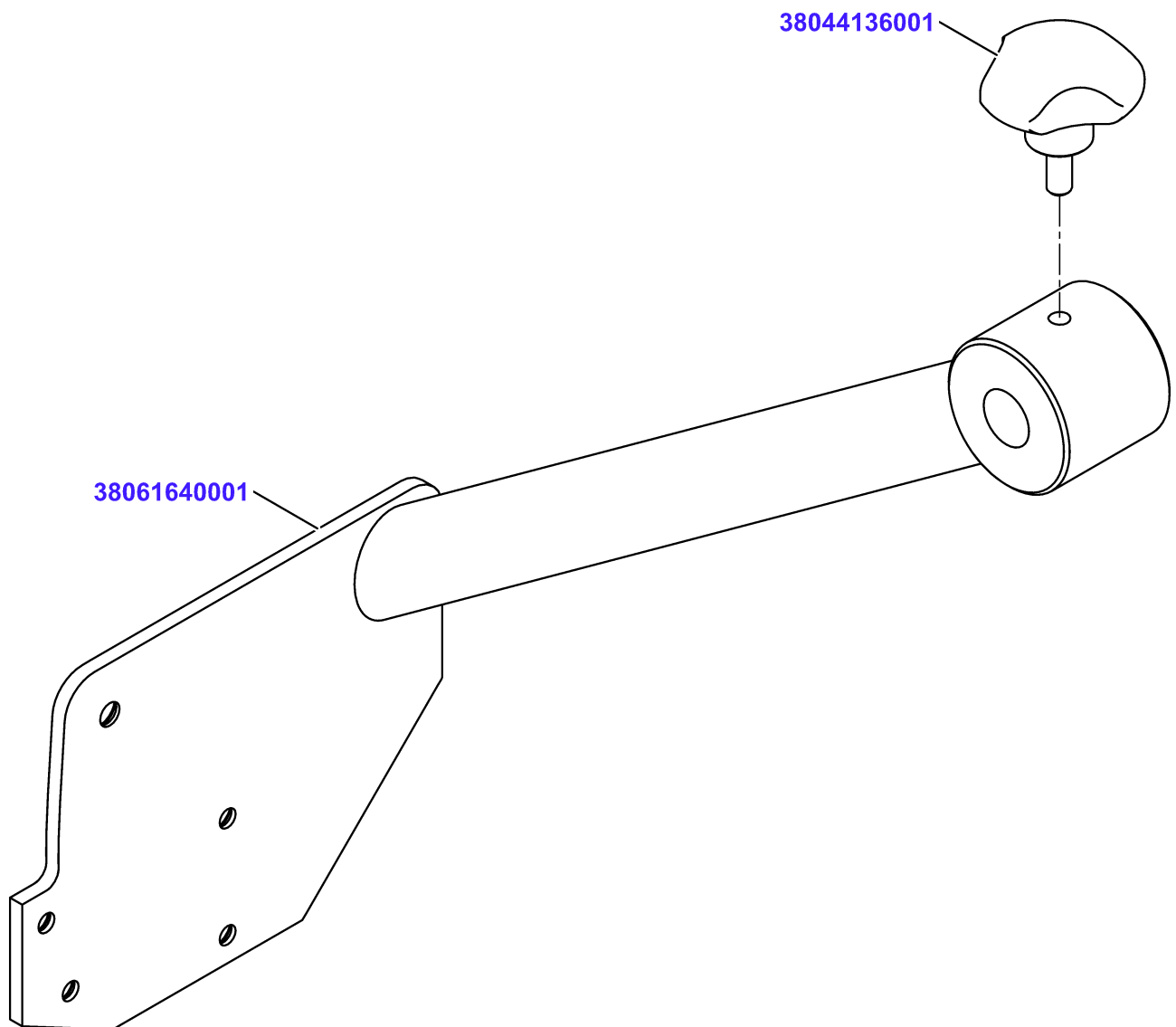


Feedspindle 721xTR20X12 ass.

Material No.	Qty	Material description
38103487001	2	Ring 12x20x15H7
96055090000	0,002	Assembly-paste Rivolta F.L.A. 100 ml

available for order
Wear part
Recomm. sp. part
Metr. relevance

Product Supporter top NSF cpl

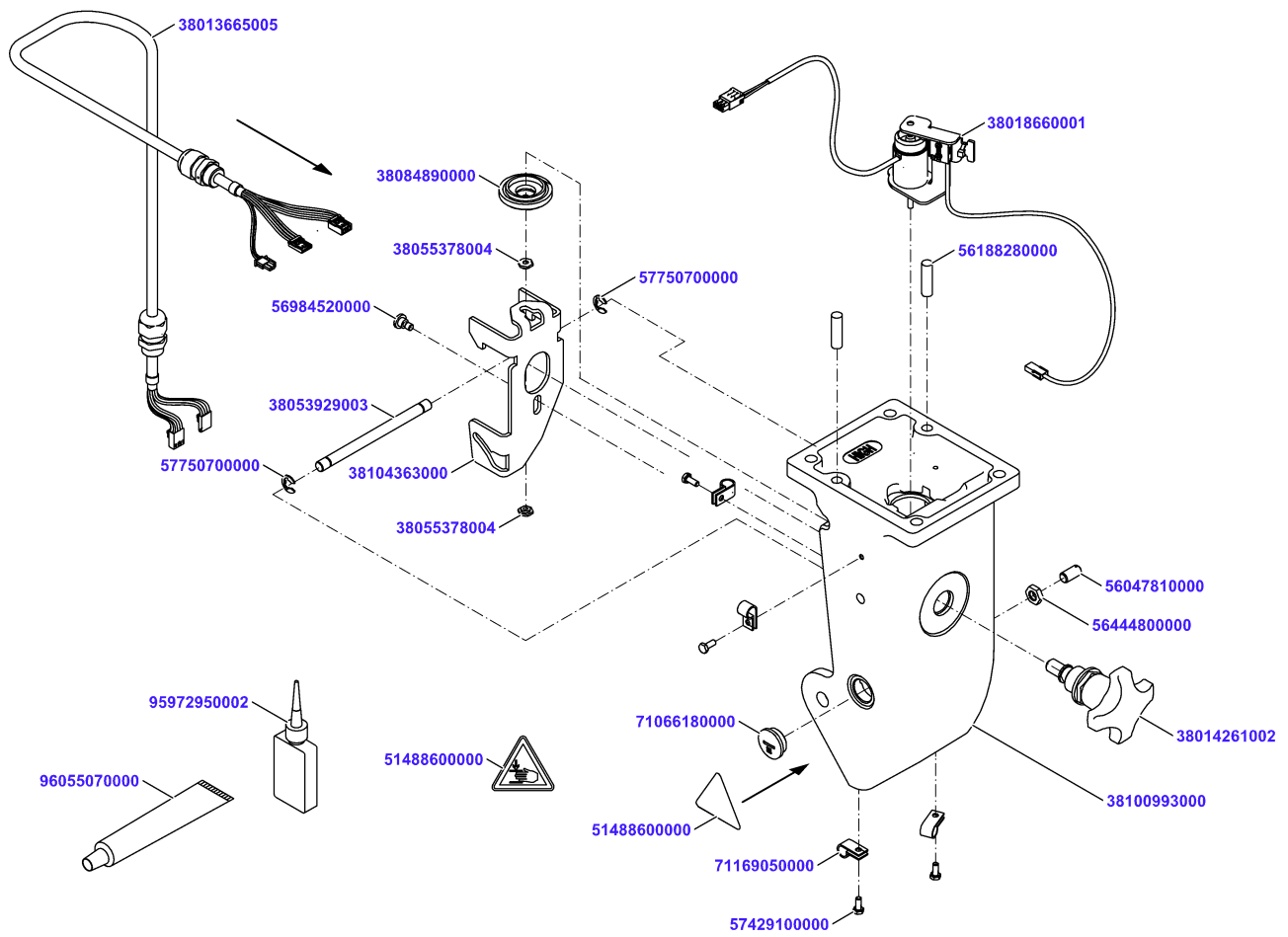


Product Supporter top NSF cpl

Material No.	Qty	Material description
38061640001	1	Mounting welded
38044136001	1	Handle with screw M6 x 14,75

available for order
Wear part
Recomm. sp. part
Metr. relevance

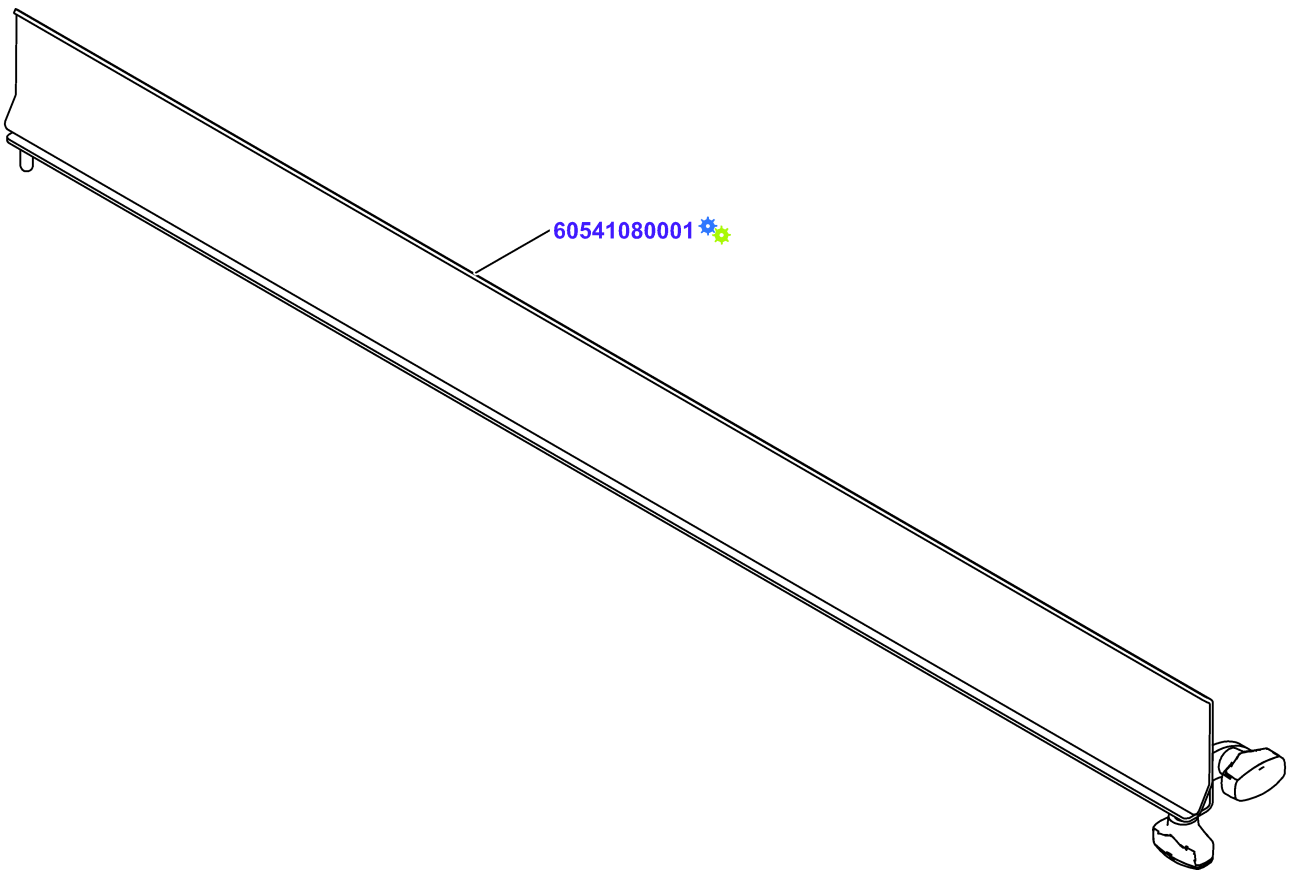
Carriage Foot high cpl.



Carriage Foot high cpl.

Material No.	Qty	Material description	available for order	Wear part	Recomm. sp. part	Metr. relevance
38100993000	1	Carriage Foot high hygienic mach	✓			
56188280000	2	Cylindrical pin EN 22338-8m6x28-A2	✓			
56047810000	1	Set screw DIN551 M8x16-PA 66	✓			
56444800000	1	Hexagon nut DIN439-M8-A2	✓			
38018660001	1	Magnet preass	✓	✓		
38084890000	1	Cap preass	✓			
38055378004	2	Hexagon nut	✓			
95972950002	0,001	Loctite 243 50 ml	✓			
38104363000	1	Interlock	✓			
96055070000	0,001	Grease PARALIQ GA 343	✓			
56984520000	1	Pan head screw DIN923 M5x4A2-70	✓			
71066180000	1	Blind plug BLK- M20	✓			
38014261002	1	Handle preass.	✓			
38053929003	1	Stop Bolt	✓			
57750700000	2	Retaining washer DIN6799-7	✓			
71169050000	4	Cable Clamp nylon 7,4mm NK-5N	✓			
38013665005	1	Ka Rd 12x24AWG 0,87m	✓			
57429100000	4	Hexagon screw DIN933 M4x10 A2-70	✓			
51488600000	1	Warning Plate Hand Injury 7.29K	✓			

metal sheet insert cpl mach



metal sheet insert cpl mach

Material No.	Qty	Material description
60541080001	1	Metal Sheet Insert cpl.

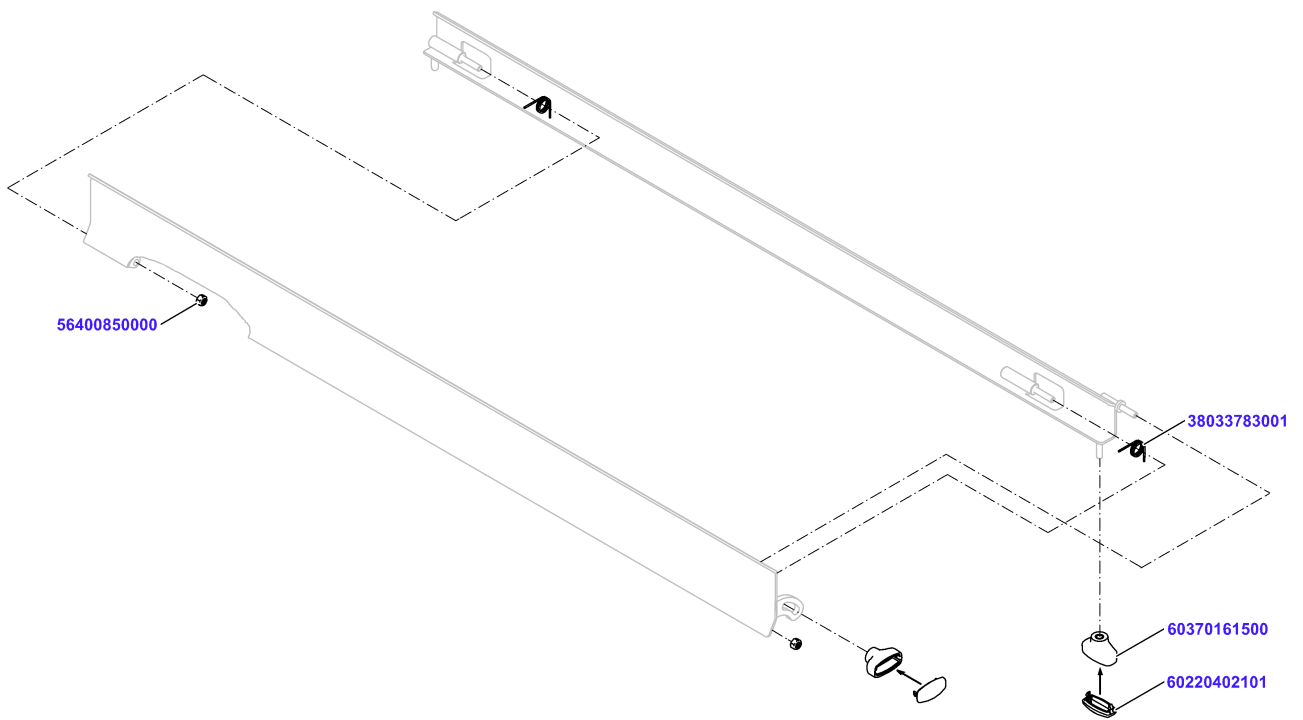
available for order

Wear part

Recomm. sp. part





Metr. relevance

Metal Sheet Insert cpl.

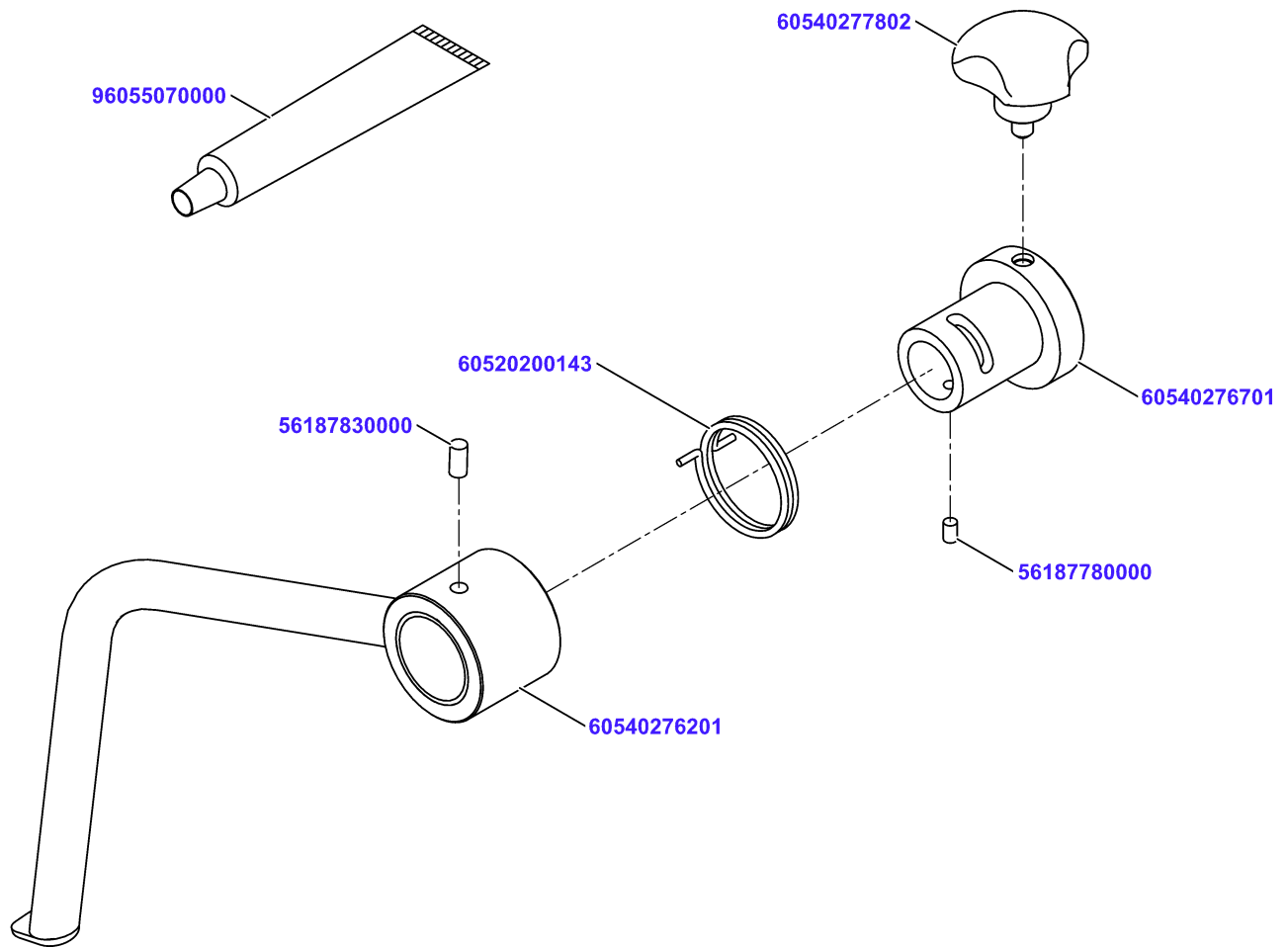


Metal Sheet Insert cpl.

Material No.	Qty	Material description
56400850000	2	Lock nut DIN985-M5-A2
60370161500	2	Clamp handle small M 5
60220402101	2	cover
38033783001	2	Torsion Spring 13,4x5,1x1,2x15/20

available for order	Wear part	Recomm. sp. part	Metr. relevance
			
			
			
			

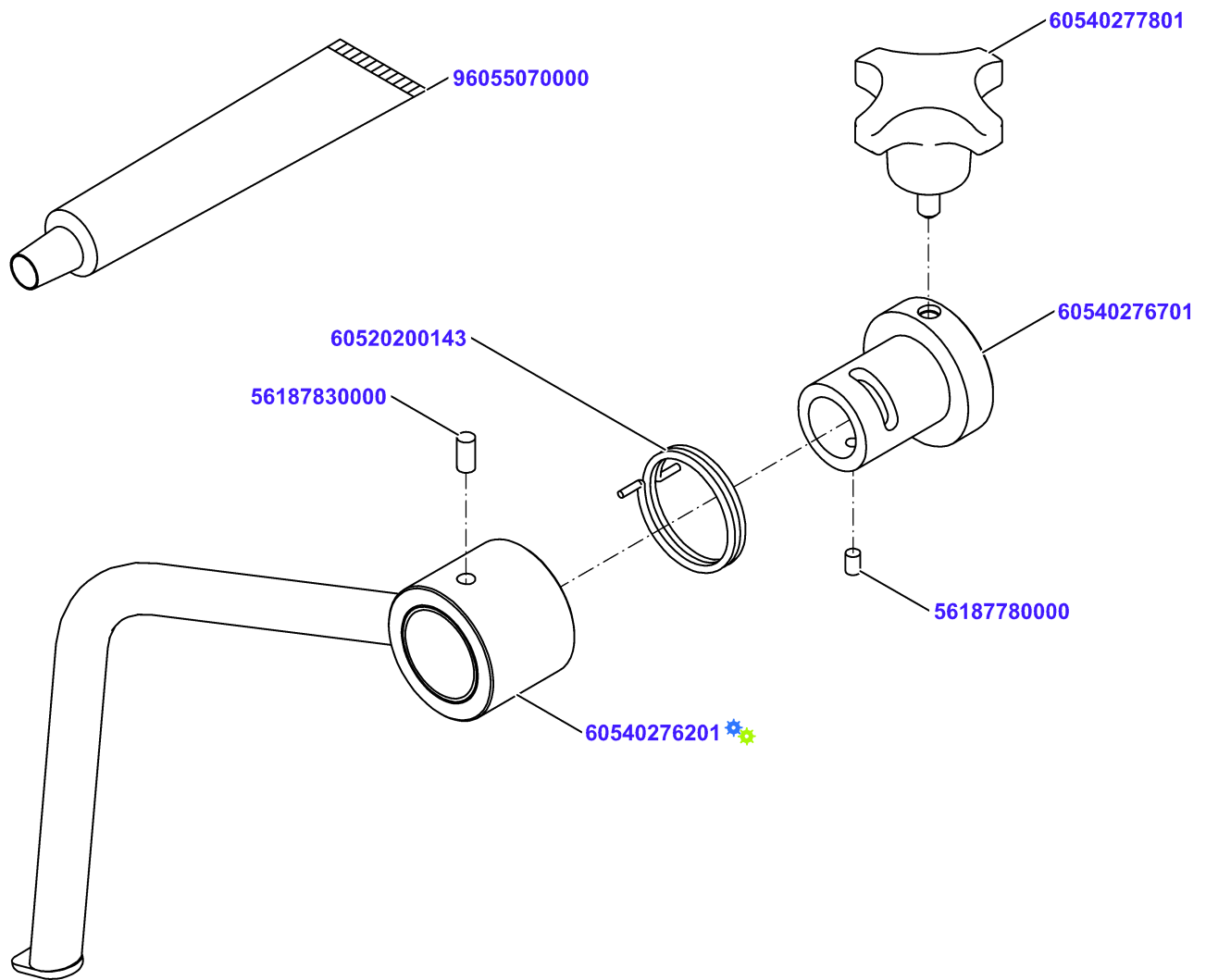
Holding Down Device ass.



Holding Down Device ass.

Material No.	Qty	Material description	available for order	Wear part	Recomm. sp. part	Metr. relevance
60540276201	1	Holding Down Device preass.	✓			
56187830000	1	Cylindrical pin EN 22338-5m6x10-A2	✓			
60540276701	1	hub	✓			
60540277802	1	Handle with screw M6 x 13,55	✓			
56187780000	1	Cylindrical pin EN 22338-4m6x6-A2	✓			
60520200143	1	torsion spring	✓			
96055070000	0,005	Grease PARALIQ GA 343	✓			

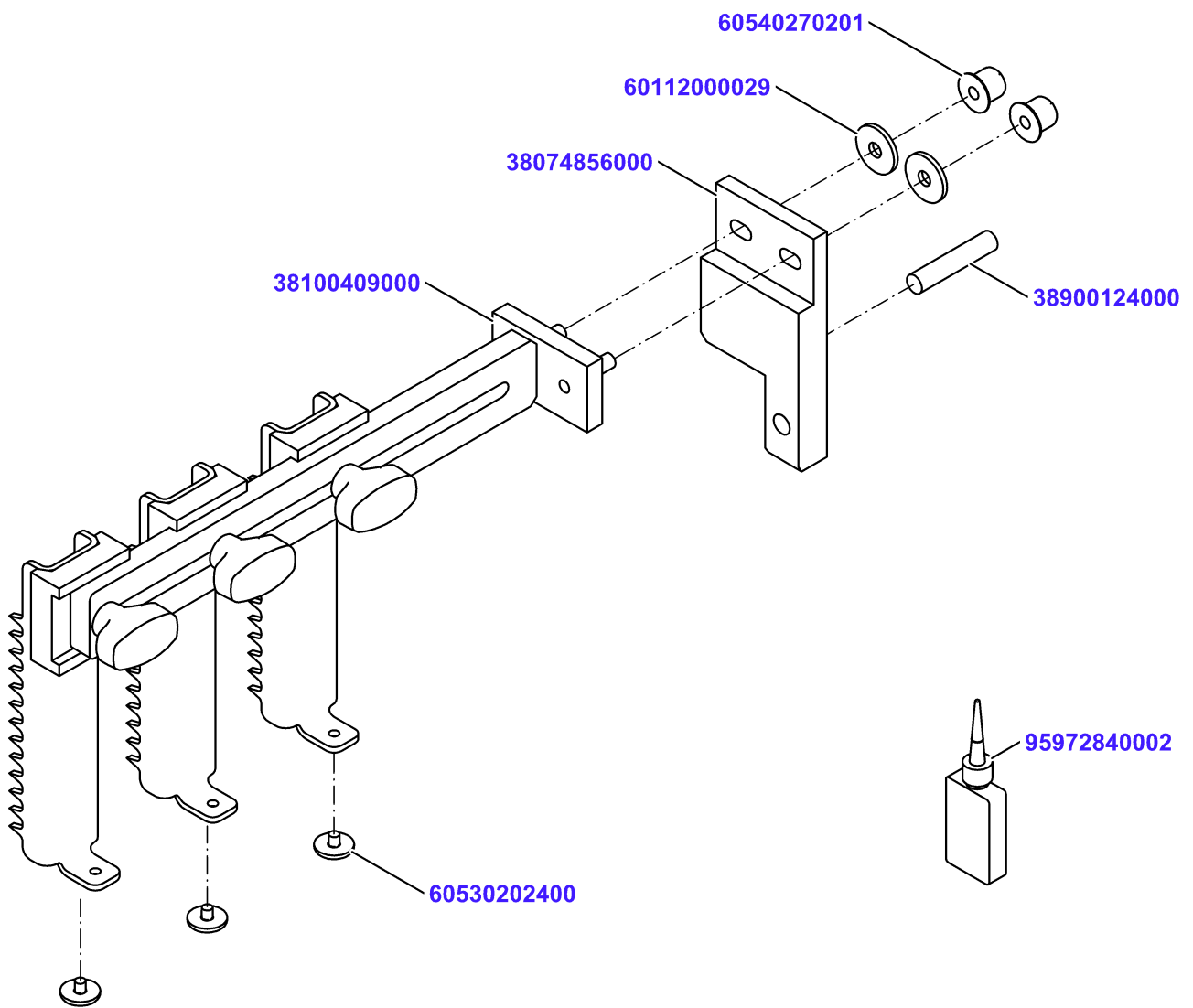
Holding Down Device ass.



Holding Down Device ass.

Material No.	Qty	Material description	available for order	Wear part	Recomm. sp. part	Metr. relevance
60540276201	1	Holding Down Device preass.				
56187830000	1	Cylindrical pin EN 22338-5m6x10-A2				
60540276701	1	hub				
56187780000	1	Cylindrical pin EN 22338-4m6x6-A2				
60520200143	1	torsion spring				
96055070000	0,005	Grease PARALIQ GA 343				

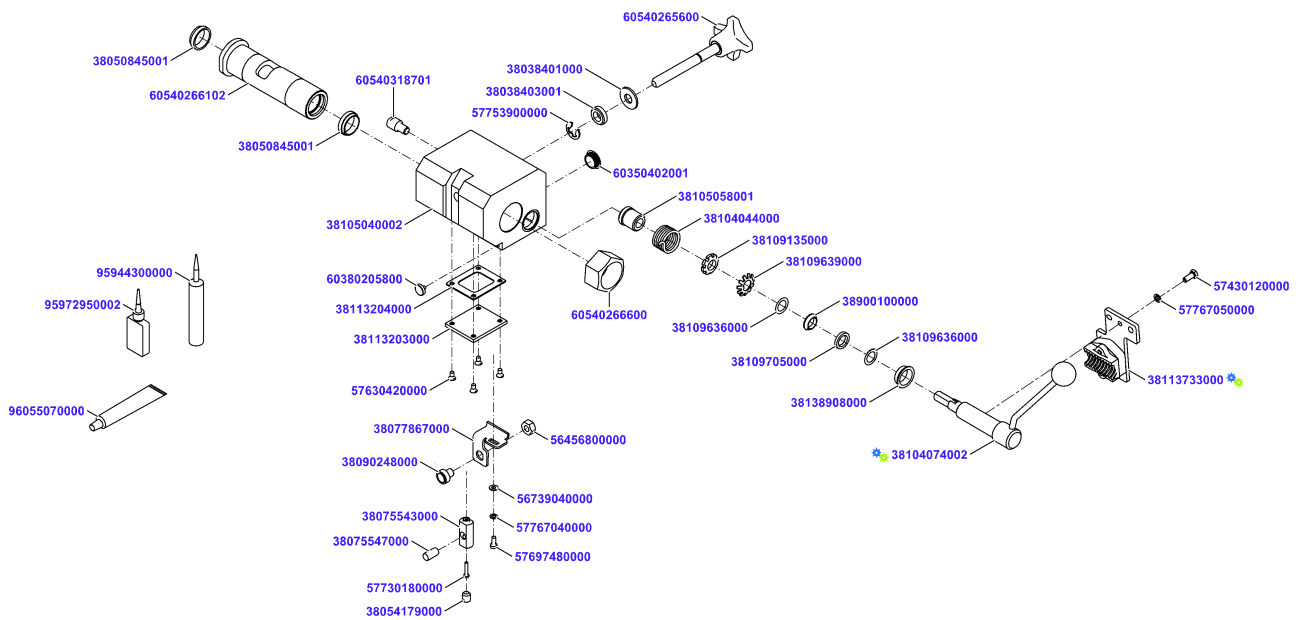
Product Holder cpl. Carriage guide ruler



Product Holder cpl. Carriage guide ruler

Material No.	Qty	Material description	available for order	Wear part	Recomm. sp. part	Metr. relevance
38100409000	1	Product Holder with guide feeder	✓			
60530202400	3	slider	✓			
38074856000	1	Feeder Adapter	✓			
60112000029	2	Washer	✓			
60540270201	2	Cap nut M6	✓		✓	
38900124000	1	Cylindrical pin EN 22338-8m6x40-A2	✓			
95972840002	0,001	Loctite 648 10ml.	✓			

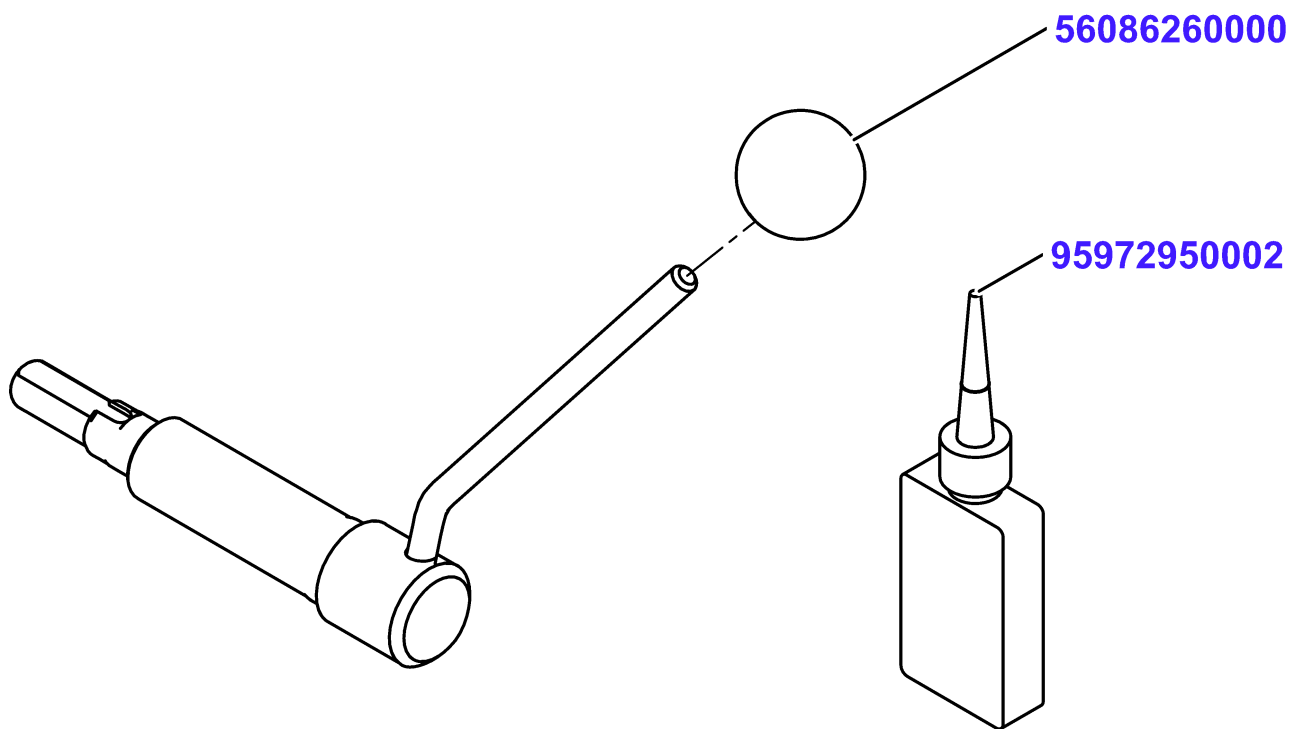
Product Holder Guide NSF cpl



Product Holder Guide NSF cpl

Material No.	Qty	Material description	available for order	Wear part	Recomm. sp. part	Metr. relevance
38105040002	1	Product Holder Guide NSF				
60540265600	1	locking lever mount.				
38038401000	1	washer				
38038403001	1	Bushing 19,1x10,7x5				
57753900000	1	Retaining washer DIN6799-9				
60540266102	1	Bushing complete				
38050845001	2	Deflector ring 25x20,2x7				
60540266600	1	hex nut				
38109705000	1	Shaft seal 12x18x3				
38109636000	1	Shim ring DIN988-12x18x0,2				
38104074002	1	Bolt NSF cpl				
38109636000	1	Shim ring DIN988-12x18x0,2				
38109639000	1	Safety plate DIN5406-MB1				
38109135000	1	Grooved nut M12 x 0.5				
38105058001	1	Bushing 19,5/18x10,2x21				
38104044000	1	Torsion spring left				
96055070000	0,005	Grease PARALIQ GA 343				
38113733000	1	Holder preassembled				
57767050000	1	Spring lock washer DIN128-A5-FSt				
57430120000	1	Hexagon screw DIN933 M5x12 A2-70				
60350402001	1	Protective plug				
95944300000	0,005	Kitchen silicone ELASTO4710				
38113203000	1	cover				
38113204000	1	Seal 47x40x1				
57630420000	4	Countersunk screw DIN963 M4x8-A2-70				
38077867000	1	Magnet Base				
38090248000	1	Magnet Vacodym 370 wz round 10x4 preass				
56456800000	1	Hexagon nut DIN934-M8-A2				
57697480000	1	Cylinder screw DIN84 M4x10-A2-70				
56739040000	1	Washer DIN125-A 4.3-A2-70				
57767040000	1	Spring lock washer DIN128-A4-FSt				
38075543000	1	Mounting Pin				
57730180000	1	Oval-head screw ISO14583 M3x16-A2-70-T10				
38075547000	1	Parallel Pin 8x15				
38054179000	1	Set screw DIN438 M8x10-A2-70				
60380205800	1	SLIDE PIN				
60540318701	1	stop pin				
95972950002	0,001	Loctite 243 50 ml				
38900100000	1	Plain bearing w. flange 12x18x14x4				
38138908000	1	Plain bearing w. flange 18x24x20x7				

Bolt NSF cpl

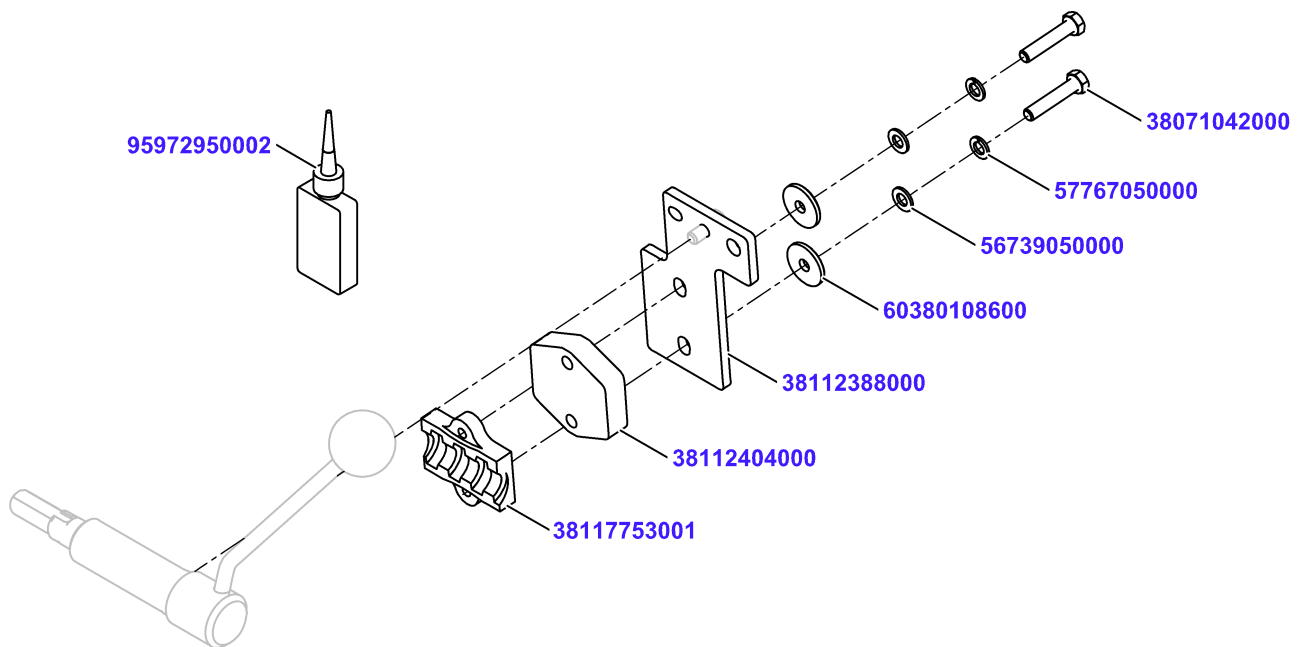


Bolt NSF cpl

Material No.	Qty	Material description
56086260000	1	Ball knob DIN319 M6x25 I
95972950002	0,001	Loctite 243 50 ml

available for order
Wear part
Recomm. sp. part
Metr. relevance

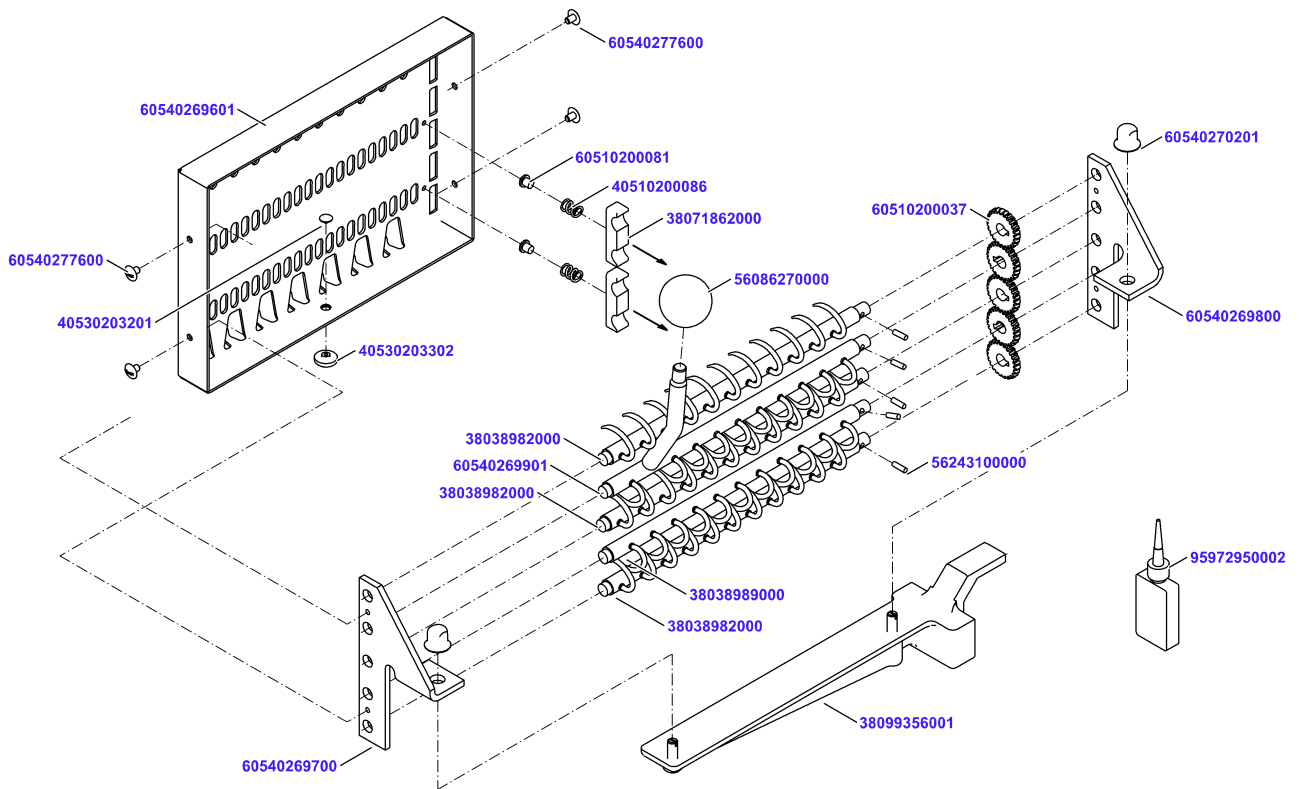
Holder preassembled



Holder preassembled

Material No.	Qty	Material description	available for order	Wear part	Recomm. sp. part	Metr. relevance
38112388000	1	Holder	✓			
38112404000	1	Spacer plate 40x40x10	✓			
38117753001	1	Nut Plate TR20X12P4	✓	✓	✓	
38071042000	2	Hexagon screw DIN933 M5x25 A2-70	✓			
60380108600	2	Washer	✓			
56739050000	2	Washer DIN125-A-5-A2	✓			
57767050000	2	Spring lock washer DIN128-A5-FSt	✓			
95972950002	0,001	Loctite 243 50 ml	✓			

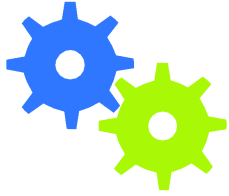
Product Holder cpl. VSI



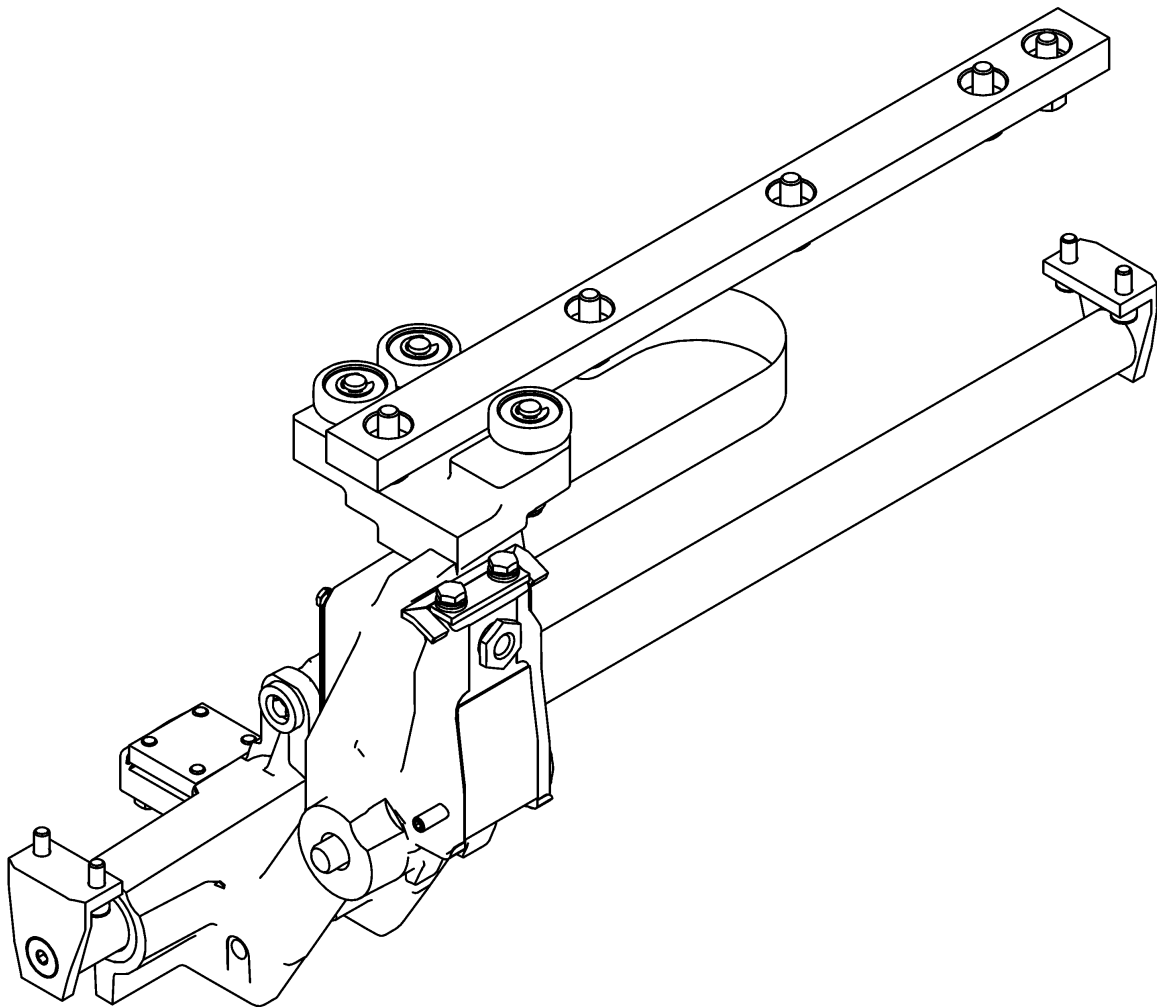
Product Holder cpl. VSI

Material No.	Qty	Material description	available for order	Wear part	Recomm. sp. part	Metr. relevance
60540269601	1	product holder	✓			
60510200081	2	collar stud	✓			
60540269700	1	Side frame left	✓			
60540269800	1	Side frame right	✓			
38038982000	3	Gripper Shaft cpl.	✓			
38038989000	1	Gripper Shaft cpl.	✓			
60540269901	1	Gripper Shaft cpl	✓			
56086270000	1	Ball knob DIN319 M8x32 I	✓			
56243100000	5	Cylindrical pin EN 22338-3h11x10-A2	✓			
60510200037	5	Pinion	✓			
40510200086	2	Pressure spring	✓			
38071862000	2	brake pad	✓			
60540277600	4	self-tapping screw	✓			
38099356001	1	Holder preass.	✓			
60540270201	2	Cap nut M6	✓		✓	
95972950002	0,001	Loctite 243 50 ml	✓			
40530203201	1	push button	✓			
40530203302	1	sliding piece	✓	✓	✓	

Carriage guide



38134310000



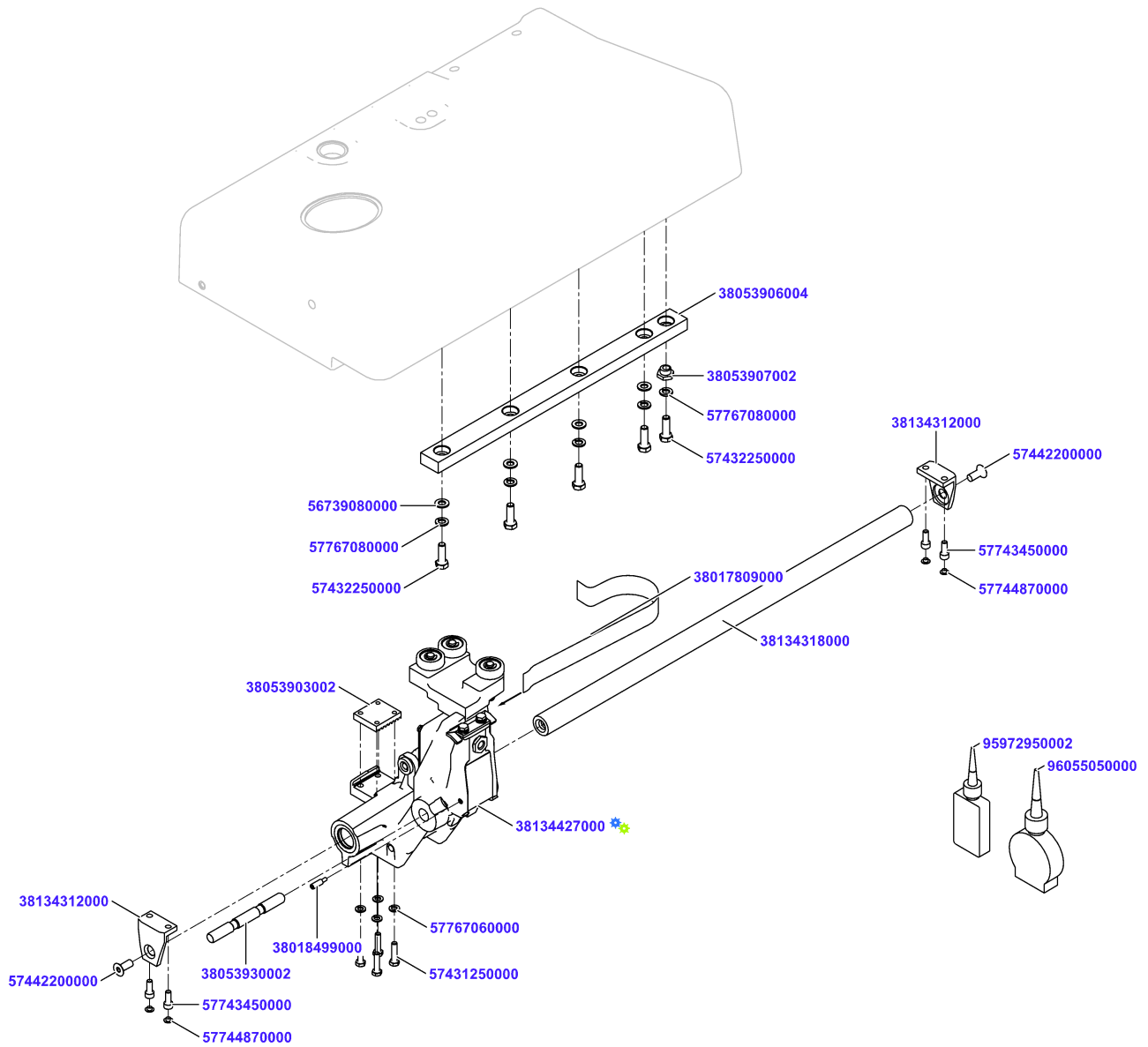
Carriage guide

Material No. **Qty** **Material description**

[38134310000](#) 1 Carriage guide cpl.

available for order
Wear part
Recomm. sp. part
Metr. relevance

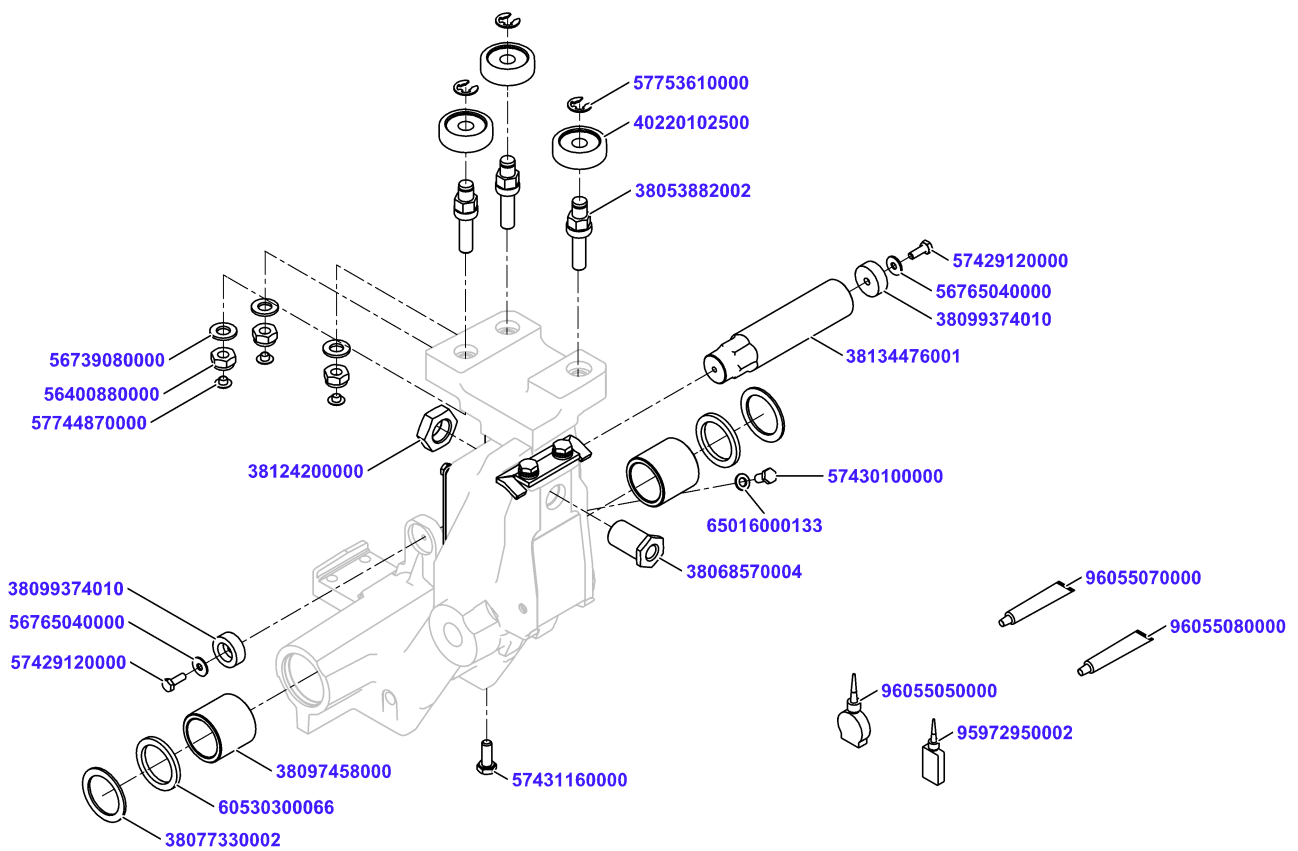
Carriage guide cpl.



Carriage guide cpl.

Material No.	Qty	Material description	available for order	Wear part	Recomm. sp. part	Metr. relevance
38053906004	1	Guide rail 28 x 15 x 400	✓			
57432250000	4	Hexagon screw DIN933 M8x25 A2-70	✓			
56739080000	4	Washer DIN125-A-8-A2	✓			
57767080000	4	Spring lock washer DIN128-A8-A2	✓			
38053907002	1	eccentric	✓			
57432250000	1	Hexagon screw DIN933 M8x25 A2-70	✓			
57767080000	1	Spring lock washer DIN128-A8-A2	✓			
38134427000	1	Carriage guide preass.	✓		✓	
38134318000	1	Carriage shaft 25x585,5	✓			
38134312000	2	Bearing block	✓			
57442200000	2	Countersunk screw DIN7991 M8x20-A2-70	✓			
95972950002	0,001	Loctite 243 50 ml	✓			
57743450000	4	Cylinder screw DIN912 M6x16-A2-70	✓			
95972950002	0,001	Loctite 243 50 ml	✓			
57744870000	4	Protective plug 10x5,2x3,1-PE	✓		✓	
96055050000	0,001	Lubricating Oil F.L.5 Oil UH1	✓			
38053903002	1	Clamping Plug	✓			
57431250000	4	Hexagon screw DIN933 M6x25 A2-70	✓			
57767060000	4	Spring lock washer DIN128-A6-FSt	✓			
38053930002	1	Shaft 12f7 x 115	✓			
95972950002	0,001	Loctite 243 50 ml	✓			
38018499000	1	Thread Bolt	✓			
95972950002	0,001	Loctite 243 50 ml	✓			
38017809000	1	Flexcable FFC 20pol 342mm	✓		✓	

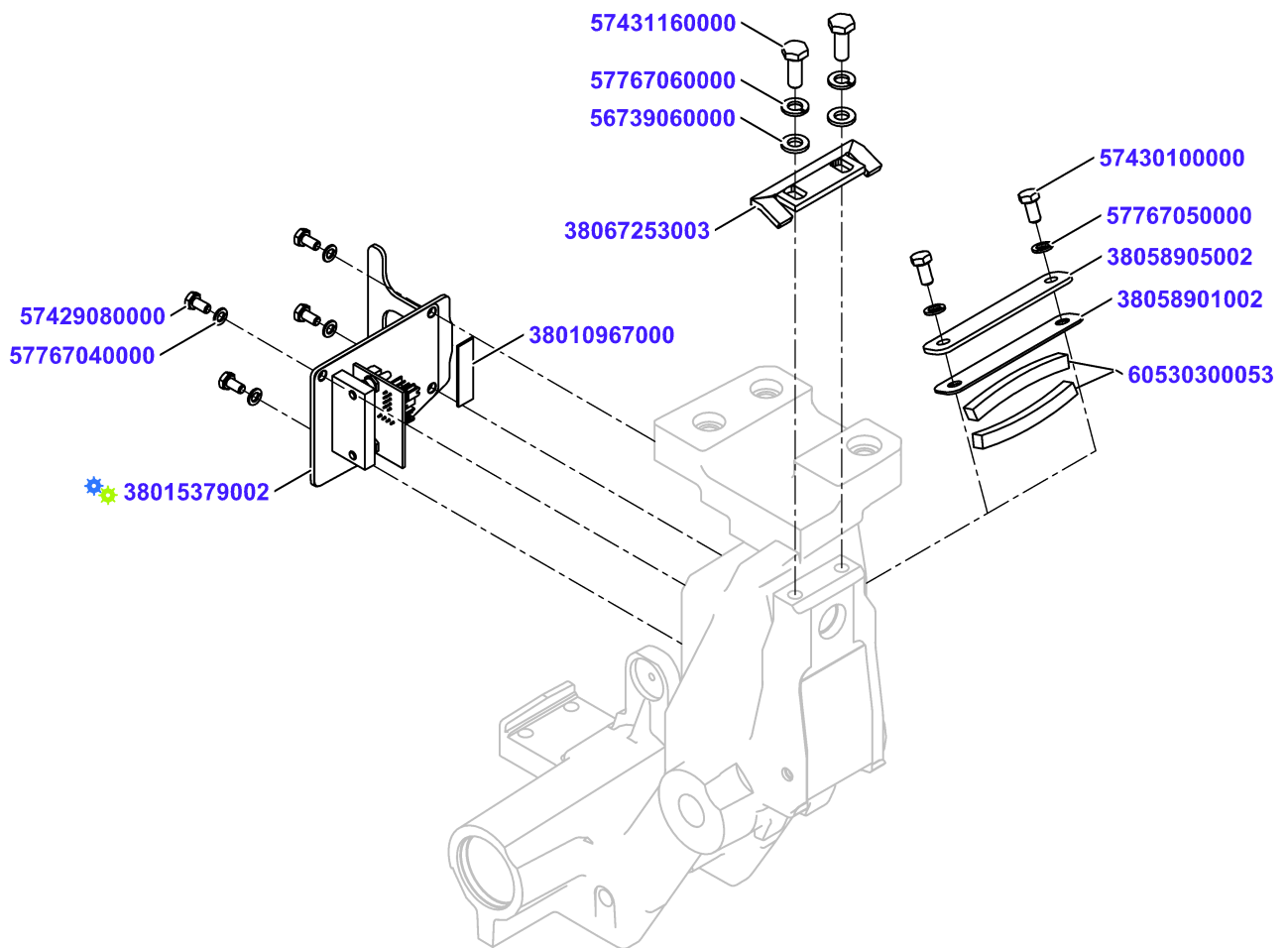
Carriage guide press.



Carriage guide press.

Material No.	Qty	Material description	available for order	Wear part	Recomm. sp. part	Metr. relevance
38097458000	2	Plain bearing 25x32x30	✓			
60530300066	2	felt ring	✓			
96055050000	0,001	Lubricating Oil F.L.5 Oil UH1	✓			
38077330002	2	Cover disk 35f8x26x1,5	✓			
38053882002	1	Eccentric Bolt 15f8 x 48	✓			
56739080000	3	Washer DIN125-A-8-A2	✓			
56400880000	3	Lock nut DIN985-M8-A2	✓			
95972950002	0,001	Loctite 243 50 ml	✓			
57744870000	3	Protective plug 10x5,2x3,1-PE	✓		✓	
40220102500	3	roller	✓	✓		
96055080000	0,001	Kluebersynth UH1 64-62/25kg	✓			
57753610000	3	Retaining washer DIN6799-7	✓			
57431160000	2	Hexagon screw DIN933 M6x16 A2-70	✓			
96055070000	0,001	Grease PARALIQ GA 343	✓			
38068570004	1	Hexagon Screw M16xM10x30	✓			
38124200000	1	Hexagon nut DIN 439 B M16x1.5-A2	✓			
96055050000	0,001	Lubricating Oil F.L.5 Oil UH1	✓			
57430100000	3	Hexagon screw DIN933 M5x10 A2-70	✓			
65016000133	1	Washer 5-PA	✓			
96055050000	0,001	Lubricating Oil F.L.5 Oil UH1	✓			
38099374010	2	Rubber Buffer	✓			
57429120000	1	Hexagon screw DIN933 M4x12 A-70	✓			
56765040000	1	Washer DIN9021-4-A2	✓			
95972950002	0,001	Loctite 243 50 ml	✓			
57429120000	1	Hexagon screw DIN933 M4x12 A-70	✓			
56765040000	1	Washer DIN9021-4-A2	✓			
95972950002	0,001	Loctite 243 50 ml	✓			
38134476001	1	Distance bolt	✓			
57431160000	1	Hexagon screw DIN933 M6x16 A2-70	✓			
95972950002	0,001	Loctite 243 50 ml	✓			

Carriage guide preass.




Carriage guide preass.

Material No.	Qty	Material description	available for order	Wear part	Recomm. sp. part	Metr. relevance
38015379002	1	Cover preass.	✓			
38010967000	1	Sealing	✓		✓	
57429080000	4	Hexagon screw DIN933 M4x8 A2-70	✓			
57767040000	4	Spring lock washer DIN128-A4-FSt	✓			
38067253003	1	Stop	✓			
57431160000	2	Hexagon screw DIN933 M6x16 A2-70	✓			
56739060000	2	Washer DIN125-A-6-A2	✓			
57767060000	2	Spring lock washer DIN128-A6-FSt	✓			
60530300053	2	lubricating felt	✓			
38058901002	1	Sealing	✓		✓	
38058905002	1	Cover	✓			
57430100000	3	Hexagon screw DIN933 M5x10 A2-70	✓			
57767050000	2	Spring lock washer DIN128-A5-FSt	✓			
57431160000	1	Hexagon screw DIN933 M6x16 A2-70	✓			

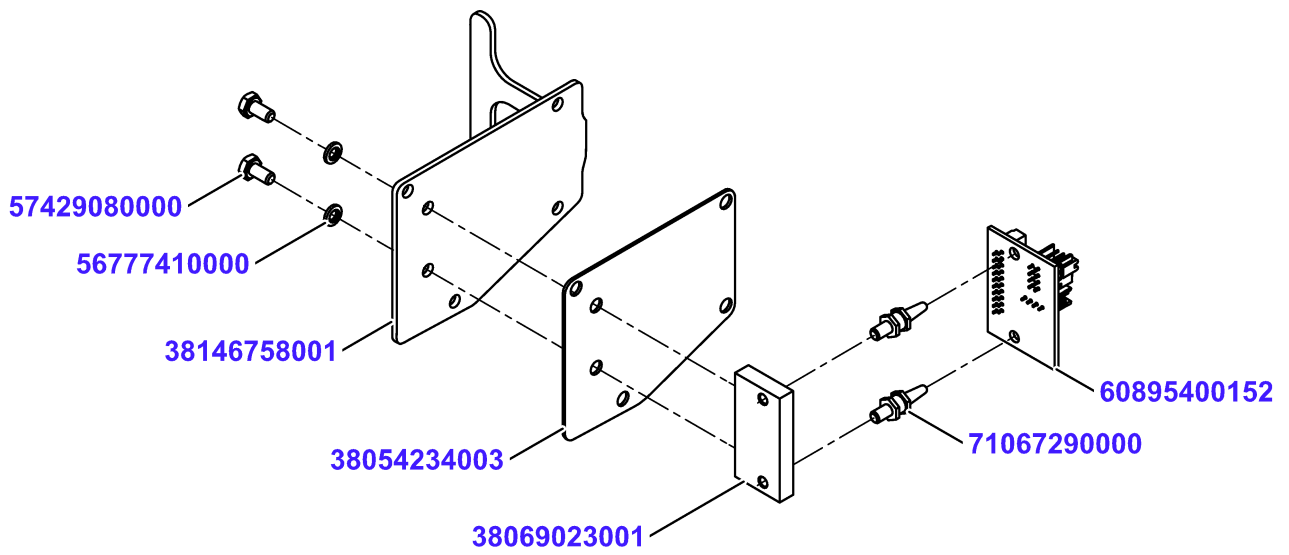
Carriage guide preass.

Carriage guide preass.

Material No.	Qty	Material description
38053881002	2	Bolt 14f8 x 48

	available for order
	Wear part
	Recomm. sp. part
	Metr. relevance

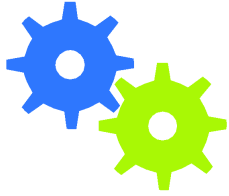
Cover preass.



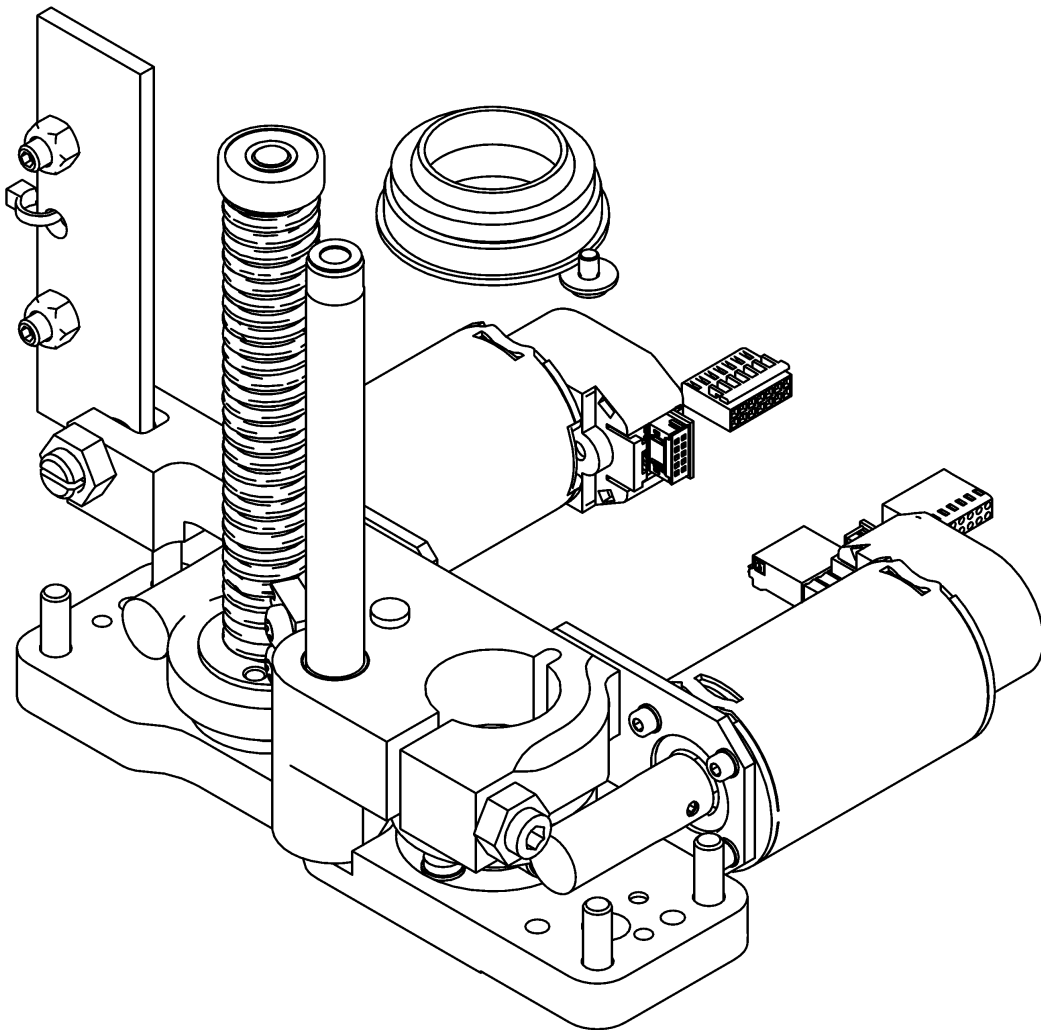
Cover preass.

Material No.	Qty	Material description	available for order	Wear part	Recomm. sp. part	Metr. relevance
38146758001	1	Cover bracket	✓			
38054234003	1	Sealing	✓		✓	
38069023001	1	Holding Block	✓			
57429080000	2	Hexagon screw DIN933 M4x8 A2-70	✓			
56777410000	2	Screw seal M4	✓		✓	
71067290000	2	Spacer 6.4 LPR 8520-M4	✓			
60895400152	1	PCBA Intermediate Board 1	✓			

table



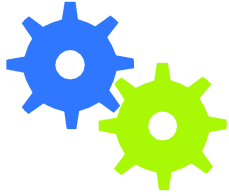
38058939003



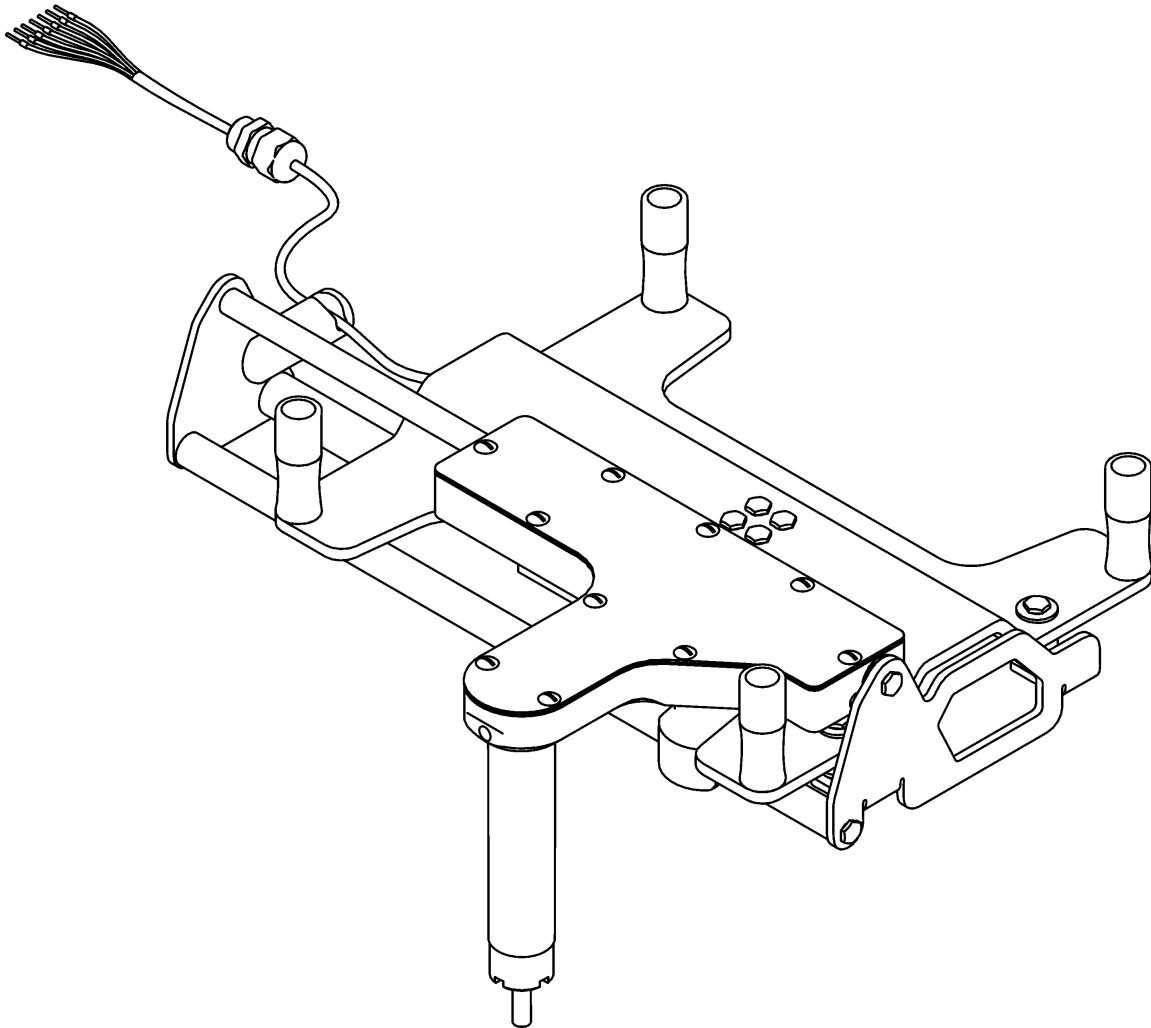
table

Material No.	Qty	Material description	available for order	Wear part	Recomm. sp. part	Metr. relevance
38058939003	1	Drive Table cpl				

table



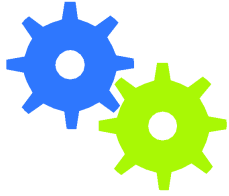
38138918002



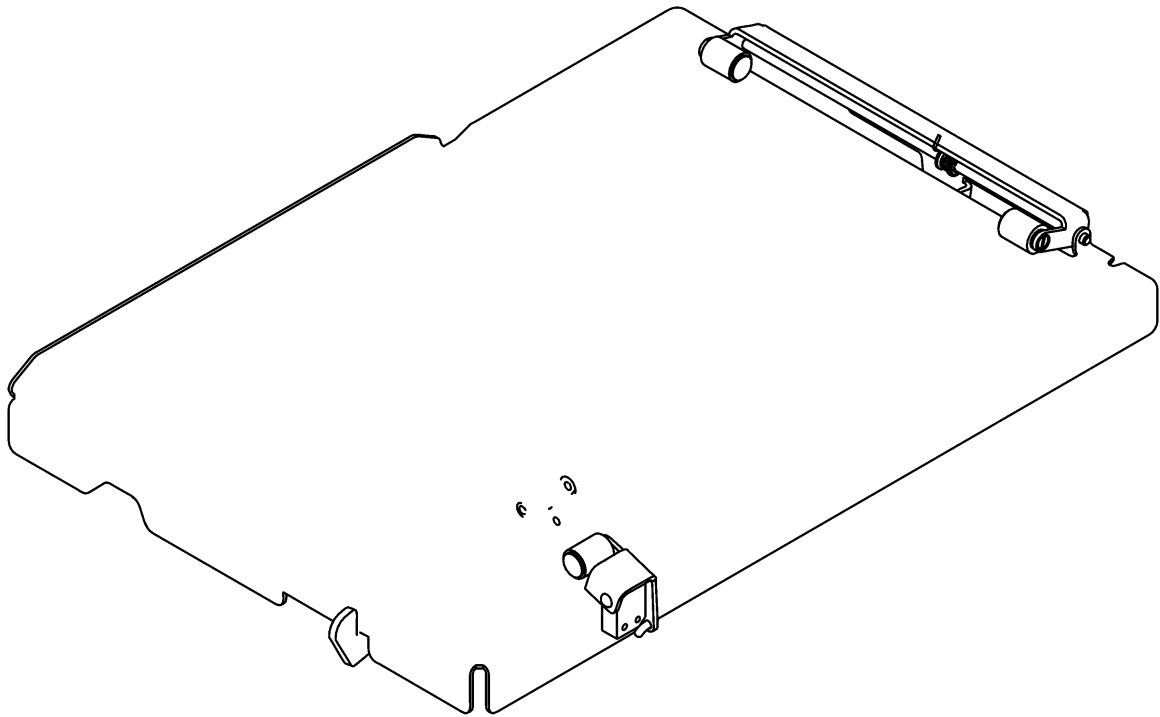
table

Material No.	Qty	Material description	available for order	Wear part	Recomm. sp. part	Metr. relevance
38138918002	1	Table mounting scale cpl				

table




38138991000

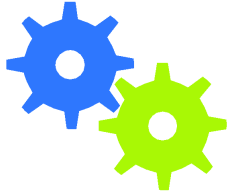


table

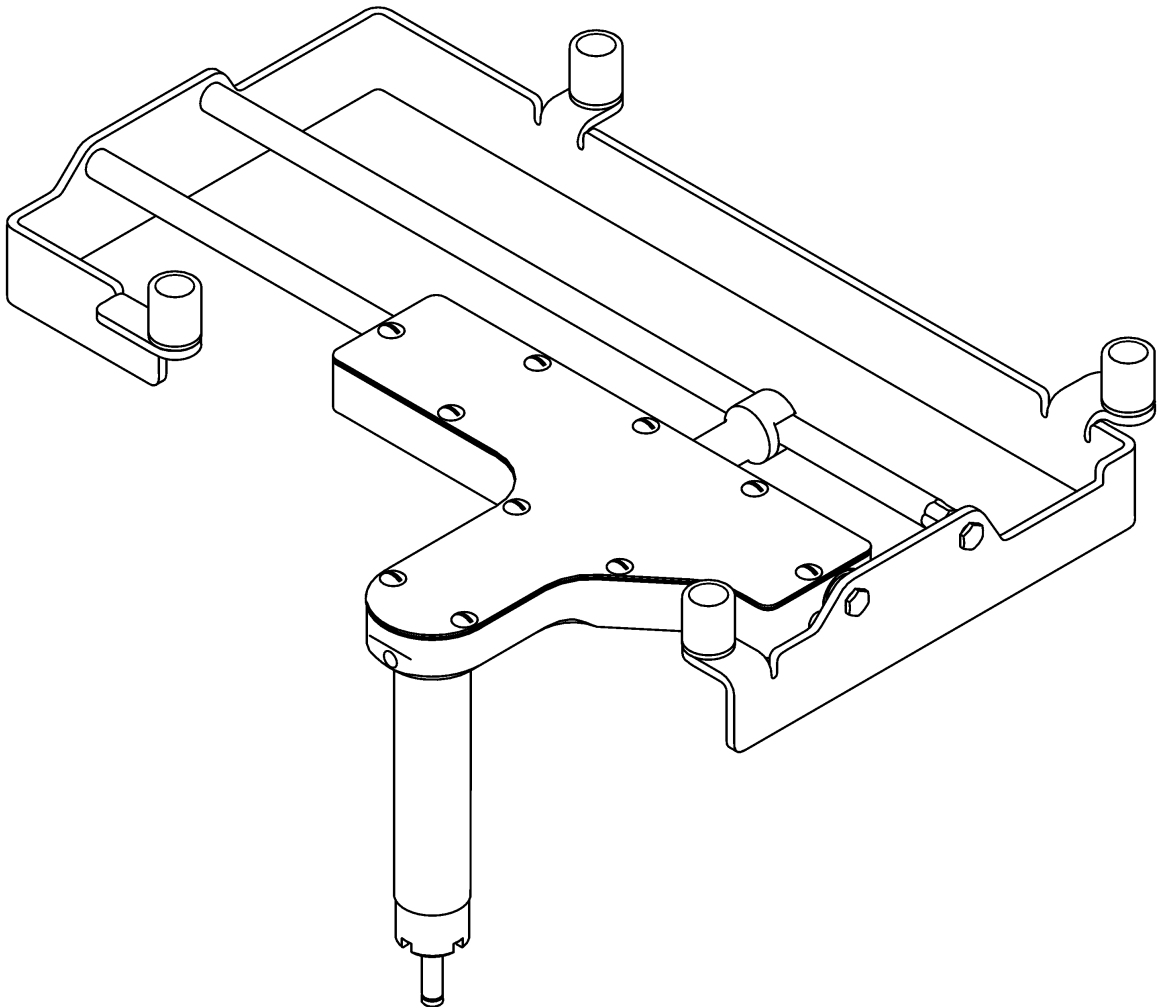
Material No.	Qty	Material description
38138991000	1	Depositing table cpl

	available for order	Wear part	Recomm. sp. part	Metr. relevance
---	---------------------	-----------	------------------	-----------------

table



38139852001

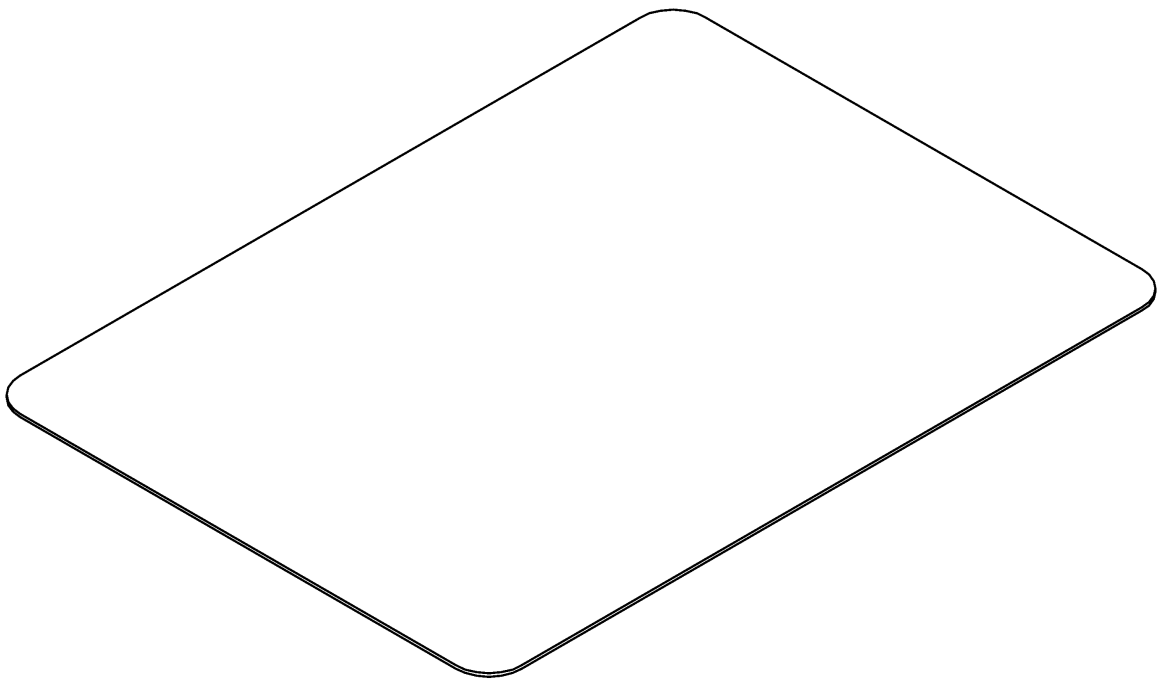


table

Material No.	Qty	Material description	available for order	Wear part	Recomm. sp. part	Metr. relevance
38139852001	1	Table mounting cpl				


table

60540400900

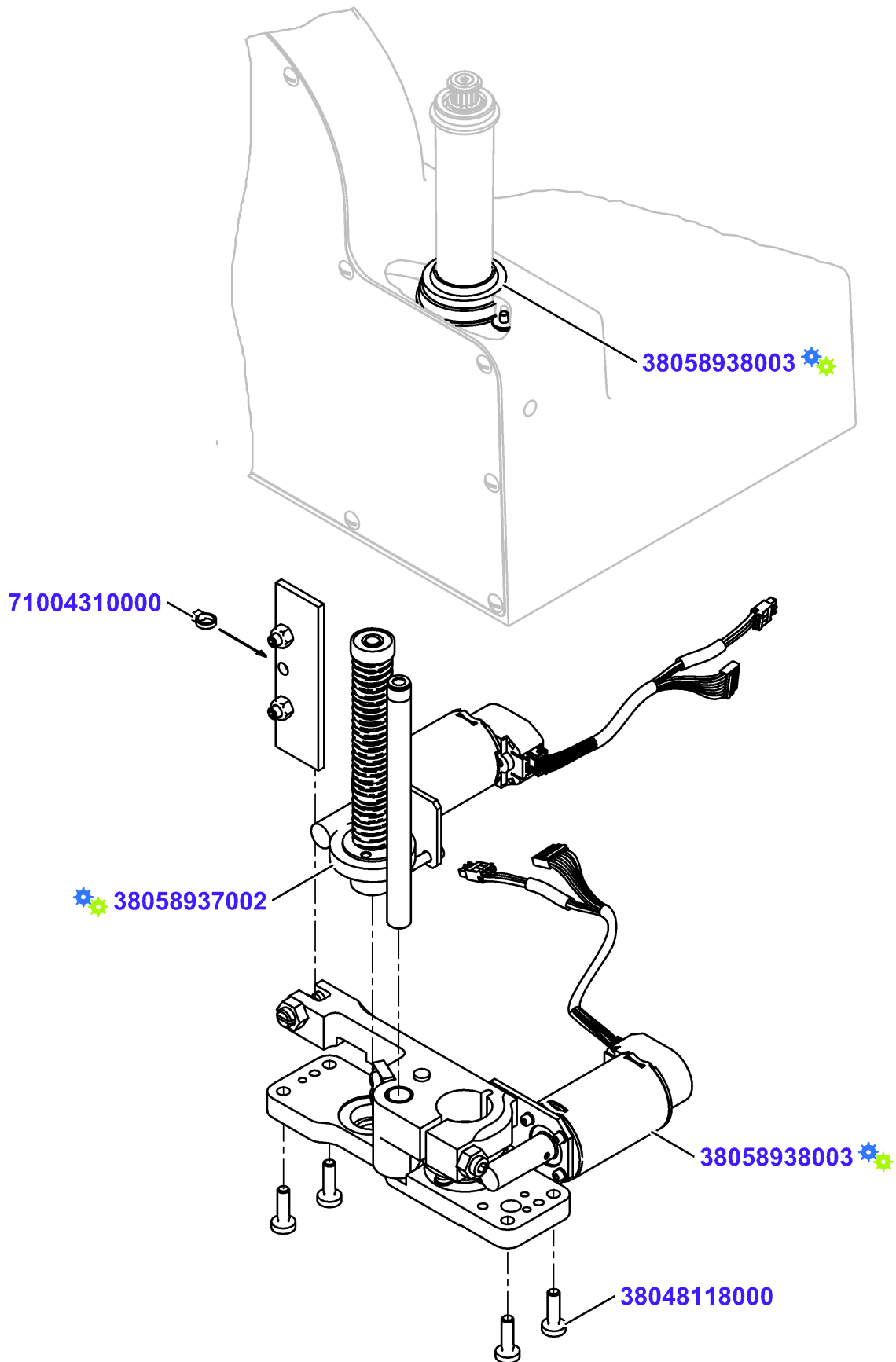


table

Material No.	Qty	Material description
60540400900	1	Depositing plate

	available for order	Wear part	Recomm. sp. part	Metr. relevance
---	---------------------	-----------	------------------	-----------------

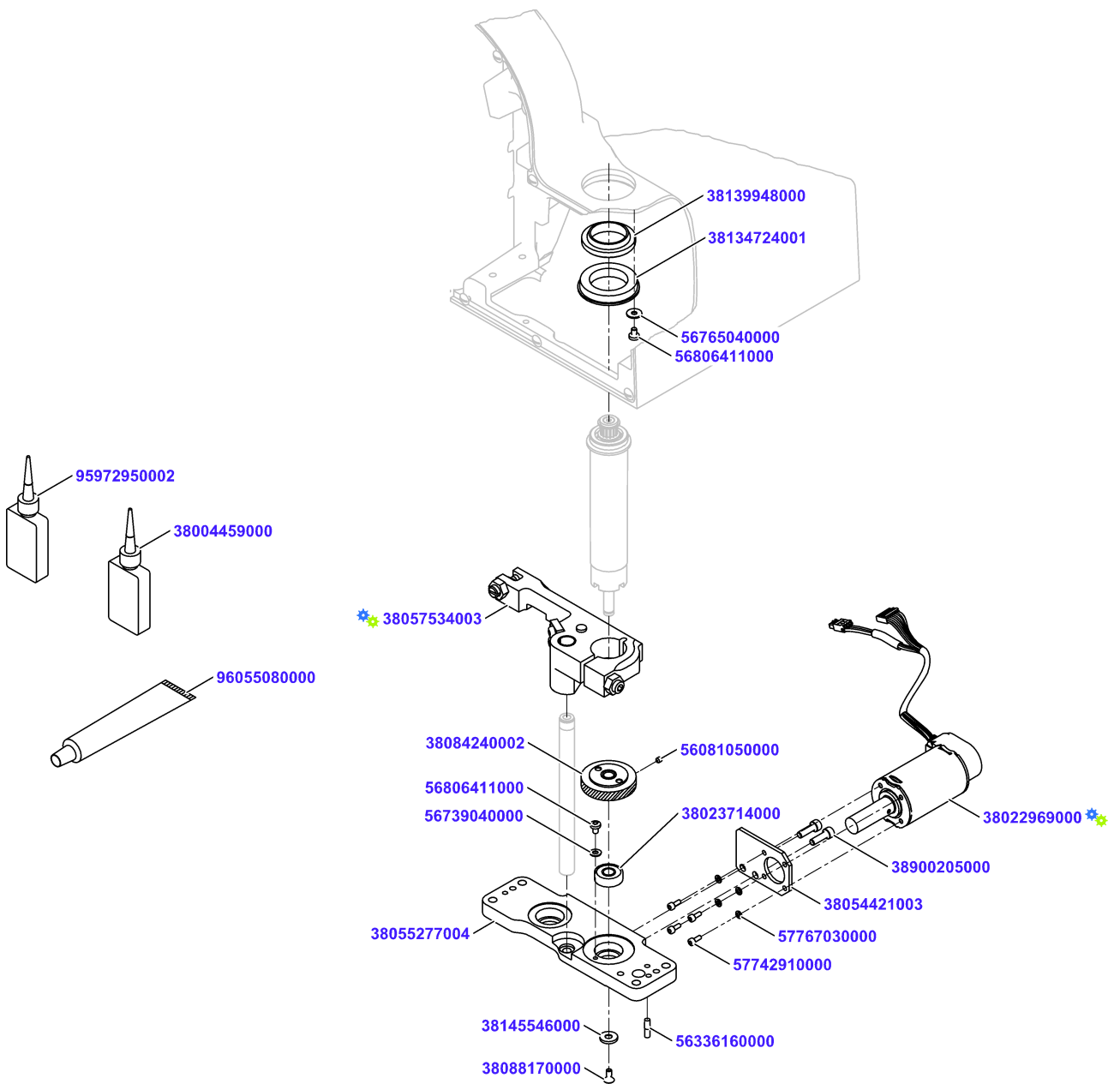
Drive Table cpl



Drive Table cpl

Material No.	Qty	Material description	available for order	Wear part	Recomm. sp. part	Metr. relevance
38058938003	1	Drive horizontal				
38058937002	1	Drive vertical				
38048118000	4	Oval-head screw ISO14583 M6x20-A2-70-T30	✓			
95972950002	0,001	Loctite 243 50 ml	✓			
71004310000	1	Cabel Tie T18R	✓			

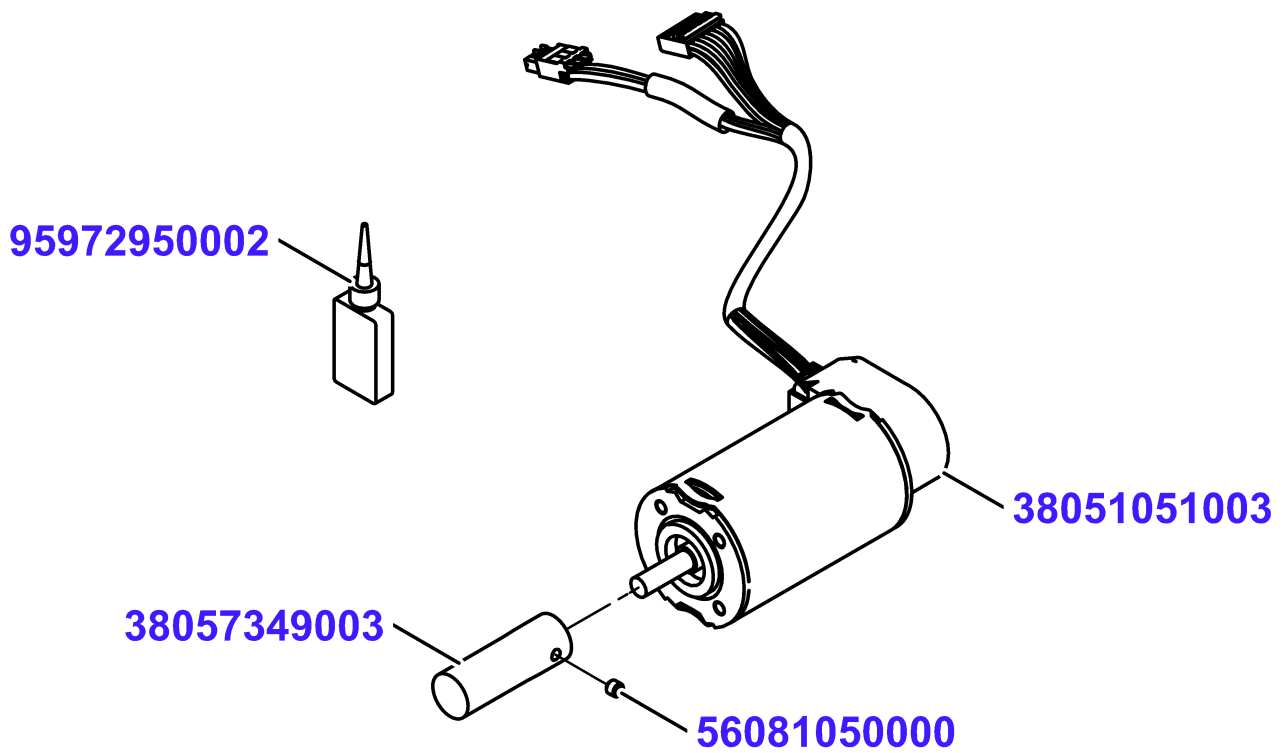
Drive horizontal







Drive horizontal

Material No.	Qty	Material description	available for order	Wear part	Recomm. sp. part	Metr. relevance
38022969000	1	Motor horizontal cpl	✓			
38054421003	1	Motor flange	✓			
57742910000	4	Cylinder screw DIN912 M3x8-A2-70	✓			
57767030000	4	Spring lock washer DIN128-A3-FSt	✓			
38900205000	2	Cylinder screw ISO14579 M5x16-A2-70	✓			
38055277004	1	Flange	✓			
56336160000	1	Grooved Pin DIN 1474-4x16 A2-70	✓			
38084240002	1	Helical Gear Wheel preass.	✓	✓	✓	
56081050000	1	Set screw DIN916 M4x4-A2-70	✓			
38023714000	1	Grooved ball bearing DIN625 8x22x7	✓			
56806411000	1	Oval-head screw ISO14583 M4x6-A2-70-T20	✓			
56739040000	1	Washer DIN125-A 4.3-A2-70	✓			
38057534003	1	Guidance preass.	✓			
38139948000	1	Wiper ring 29x42x5.2	✓			
96055080000	0,001	Kluebersynth UH1 64-62/25kg	✓			
38134724001	1	Supporting ring	✓			
38004459000	0,001	Loctite 648	✓			
56806411000	1	Oval-head screw ISO14583 M4x6-A2-70-T20	✓			
56765040000	1	Washer DIN9021-4-A2	✓			
95972950002	0,001	Loctite 243 50 ml	✓			
38145546000	1	Washer 14x5,5x2	✓			
38088170000	1	Countersunk screw ISO14581 M4x10-A2-50-*	✓			

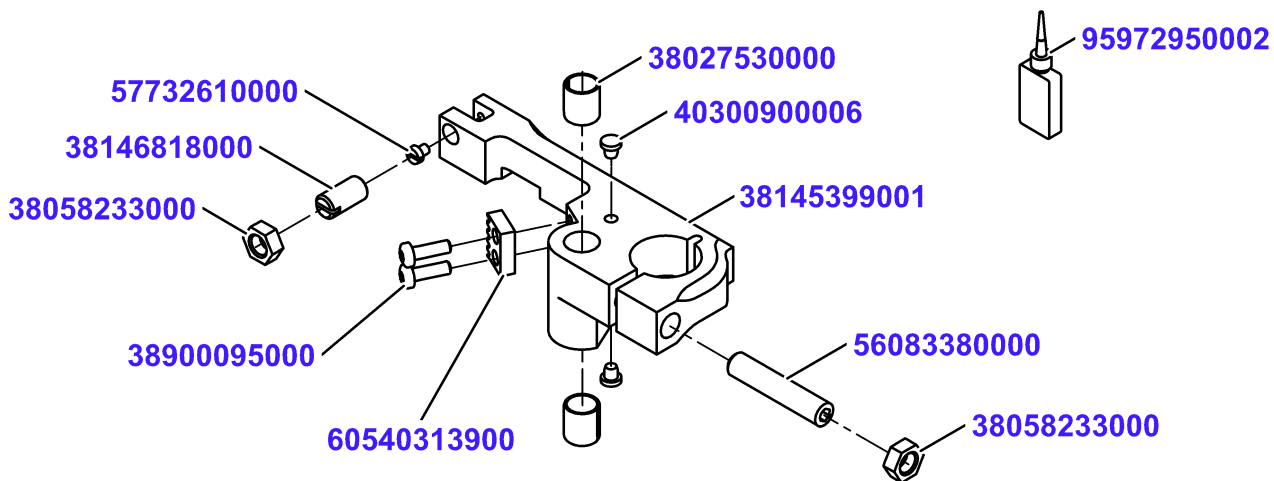
Motor horizontal cpl



Motor horizontal cpl

Material No.	Qty	Material description	available for order	Wear part	Recomm. sp. part	Metr. relevance
38051051003	1	Motor Table Horizontal BG42x15				
38057349003	1	Worm				
56081050000	1	Set screw DIN916 M4x4-A2-70				
95972950002	0,001	Loctite 243 50 ml				

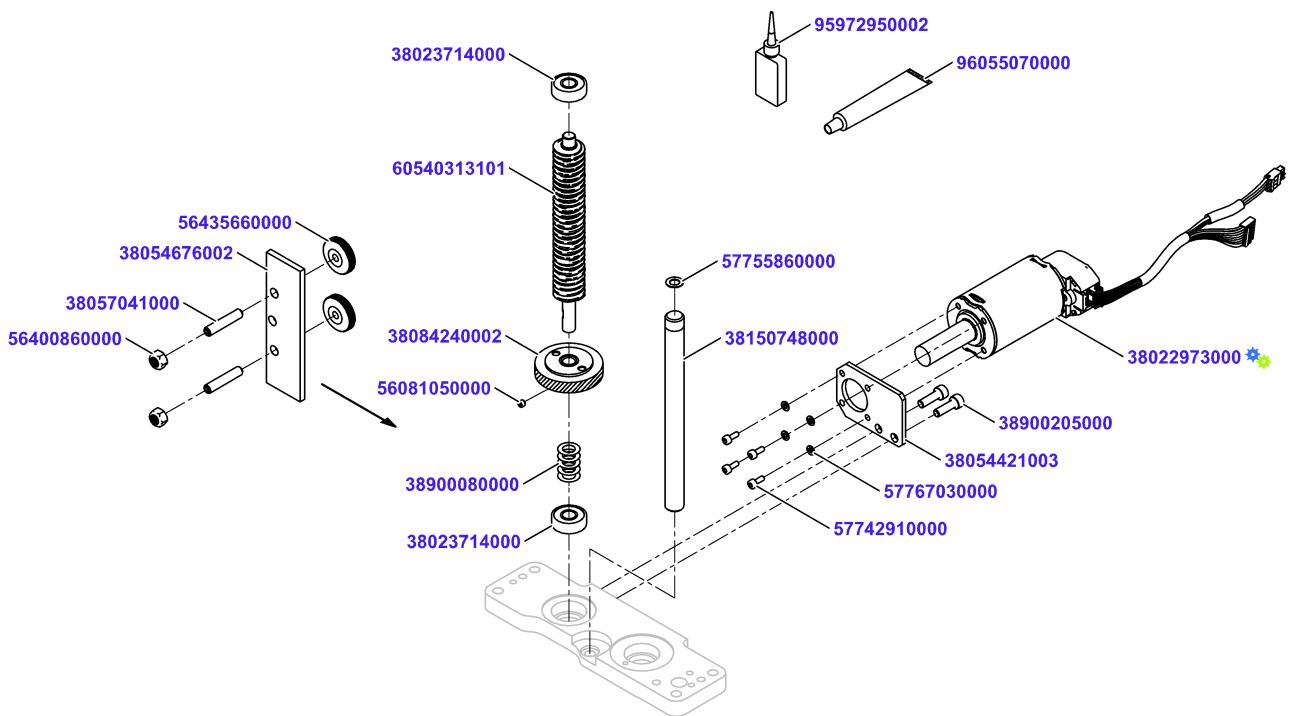
Guidance preass.



Guidance preass.

Material No.	Qty	Material description	available for order	Wear part	Recomm. sp. part	Metr. relevance
38145399001	1	Guide	✓			
38027530000	2	Plain bearing 12x14x15	✓			
40300900006	2	slide pin	✓	✓	✓	
60540313900	1	nut plate	✓			
38900095000	2	Oval-head screw ISO14583 M5x16-8.8-T25	✓			
95972950002	0,001	Loctite 243 50 ml	✓			
57732610000	1	Cylinder screw DIN84 M4x5	✓			
38146818000	1	Threaded bolt DIN551 M10x20-brass	✓			
38058233000	1	hexagon nut M10	✓			
56083380000	1	Set screw ISO4026 M10x50-A2-70	✓			
38058233000	1	hexagon nut M10	✓			

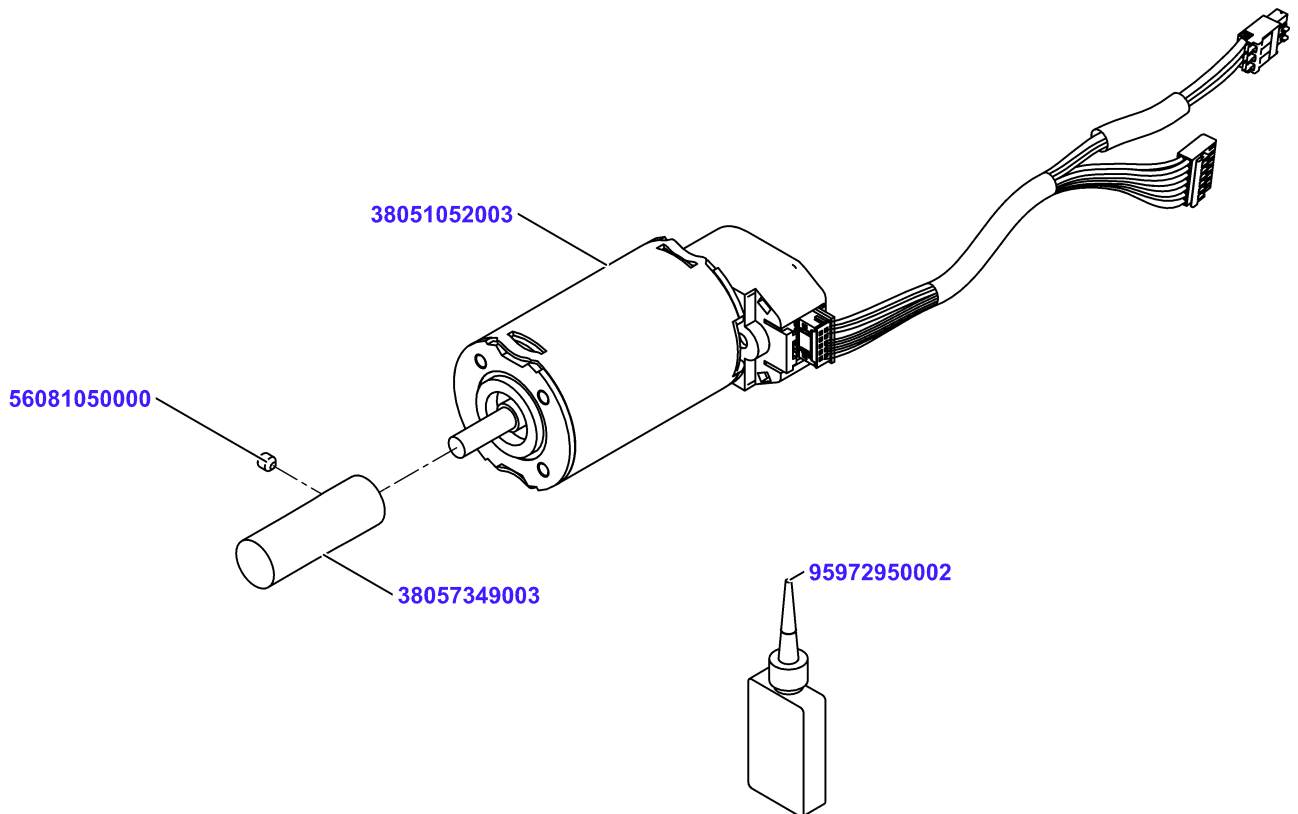
Drive vertical



Drive vertical

Material No.	Qty	Material description	available for order	Wear part	Recomm. sp. part	Metr. relevance
38022973000	1	Motor vertical cpl	✓			
38054421003	1	Motor flange	✓			
57742910000	4	Cylinder screw DIN912 M3x8-A2-70	✓			
57767030000	4	Spring lock washer DIN128-A3-FSt	✓			
38900205000	2	Cylinder screw ISO14579 M5x16-A2-70	✓			
38150748000	1	Guide shaft 147x12	✓			
57755860000	1	Spring washer DIN137-A 6,4	✓			
60540313101	1	Elevating Spindle 149xTR20x4	✓			
96055070000	0,001	Grease PARALIQ GA 343	✓			
38084240002	1	Helical Gear Wheel preass.	✓	✓	✓	
56081050000	1	Set screw DIN916 M4x4-A2-70	✓			
95972950002	0,001	Loctite 243 50 ml	✓			
38023714000	2	Grooved ball bearing DIN625 8x22x7	✓			
38900080000	5	Shim ring DIN988-8x14x0,1	✓			
38054676002	1	rail	✓			
38057041000	2	Set screw ISO4026 M6x30-A2-70	✓			
56435660000	2	Knurled nut DIN467-M6-A2	✓			
56400860000	2	Lock nut DIN985-M6-A2	✓			

Motor vertical cpl



Motor vertical cpl

Material No.	Qty	Material description	available for order	Wear part	Recomm. sp. part	Metr. relevance
38051052003	1	Motor Table Vertical BG42x15				
38057349003	1	Worm				
56081050000	1	Set screw DIN916 M4x4-A2-70				
95972950002	0,001	Loctite 243 50 ml				

Table mounting scale cpl

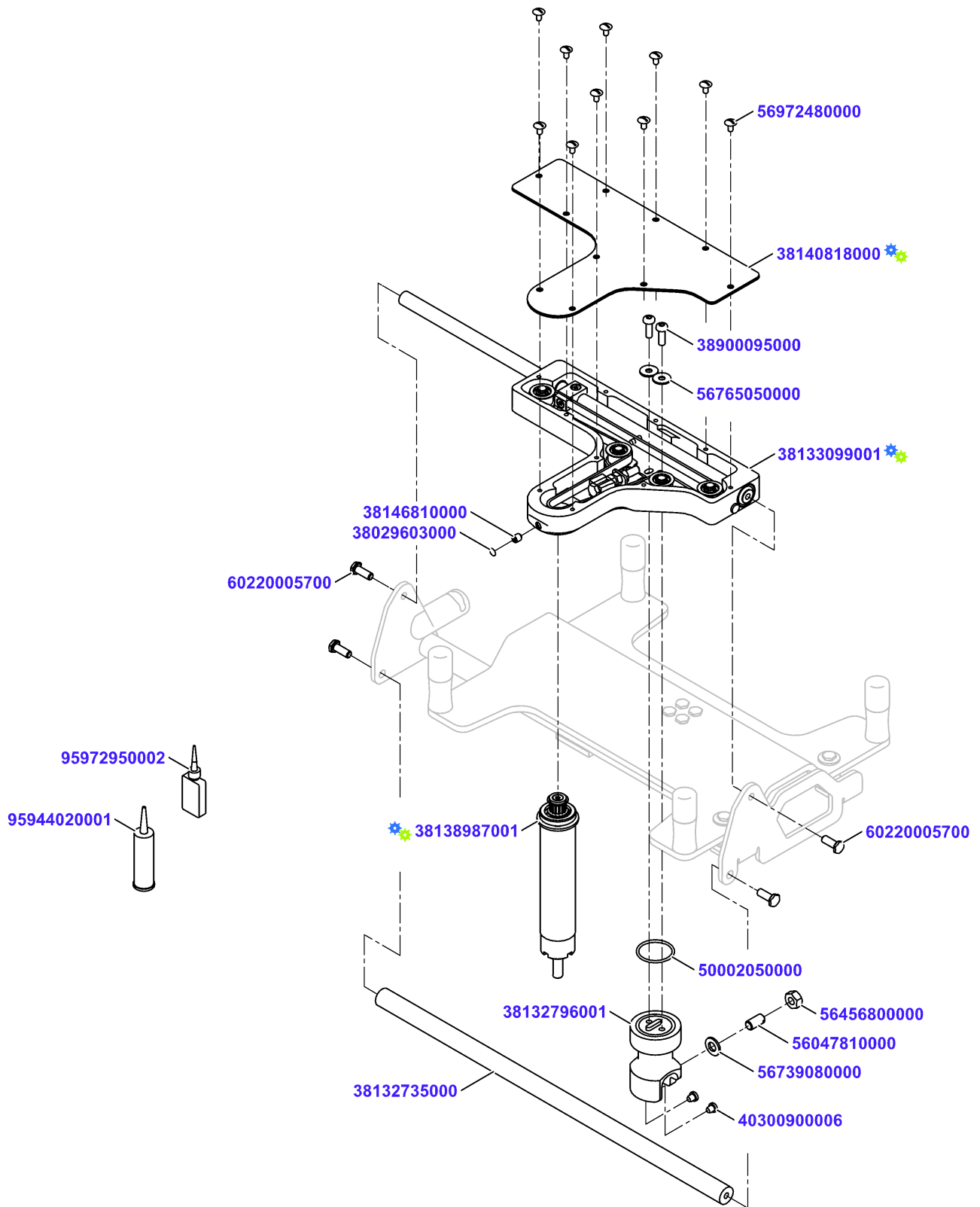


Table mounting scale cpl

Material No.	Qty	Material description	available for order	Wear part	Recomm. sp. part	Metr. relevance
38133099001	1	Mounting Scale preass				
38138987001	1	Lifting Tube cpl				
38132796001	1	Supporter				
40300900006	2	slide pin				
50002050000	1	O-ring DIN3771 27,5x2 NBR				
38900095000	2	Oval-head screw ISO14583 M5x16-8.8-T25				
56765050000	2	Washer DIN9021-5-A2				
95972950002	0,001	Loctite 243 50 ml				
56047810000	1	Set screw DIN551 M8x16-PA 66				
56739080000	1	Washer DIN125-A-8-A2				
56456800000	1	Hexagon nut DIN934-M8-A2				
60220005700	2	hexagon screw oval-head M 6x16				
38132735000	1	Axle 16x400				
60220005700	2	hexagon screw oval-head M 6x16				
56972480000	2	Mushroom head screw M4x8-A2-70 Tuflok				
95972950002	0,001	Loctite 243 50 ml				
60220005700	4	hexagon screw oval-head M 6x16				
60220005700	4	hexagon screw oval-head M 6x16				
60220005700	2	hexagon screw oval-head M 6x16				
38140818000	1	Cover preass.				
56972480000	10	Mushroom head screw M4x8-A2-70 Tuflok				
38146810000	1	Threaded bolt DIN914 M6x8-A2-70				
38029603000	1	Protective plug 7x3,2x1,3-PE				
95944020001	0,001	Silicone Rubber Elastosil E41 90ml				

Table mounting scale cpl

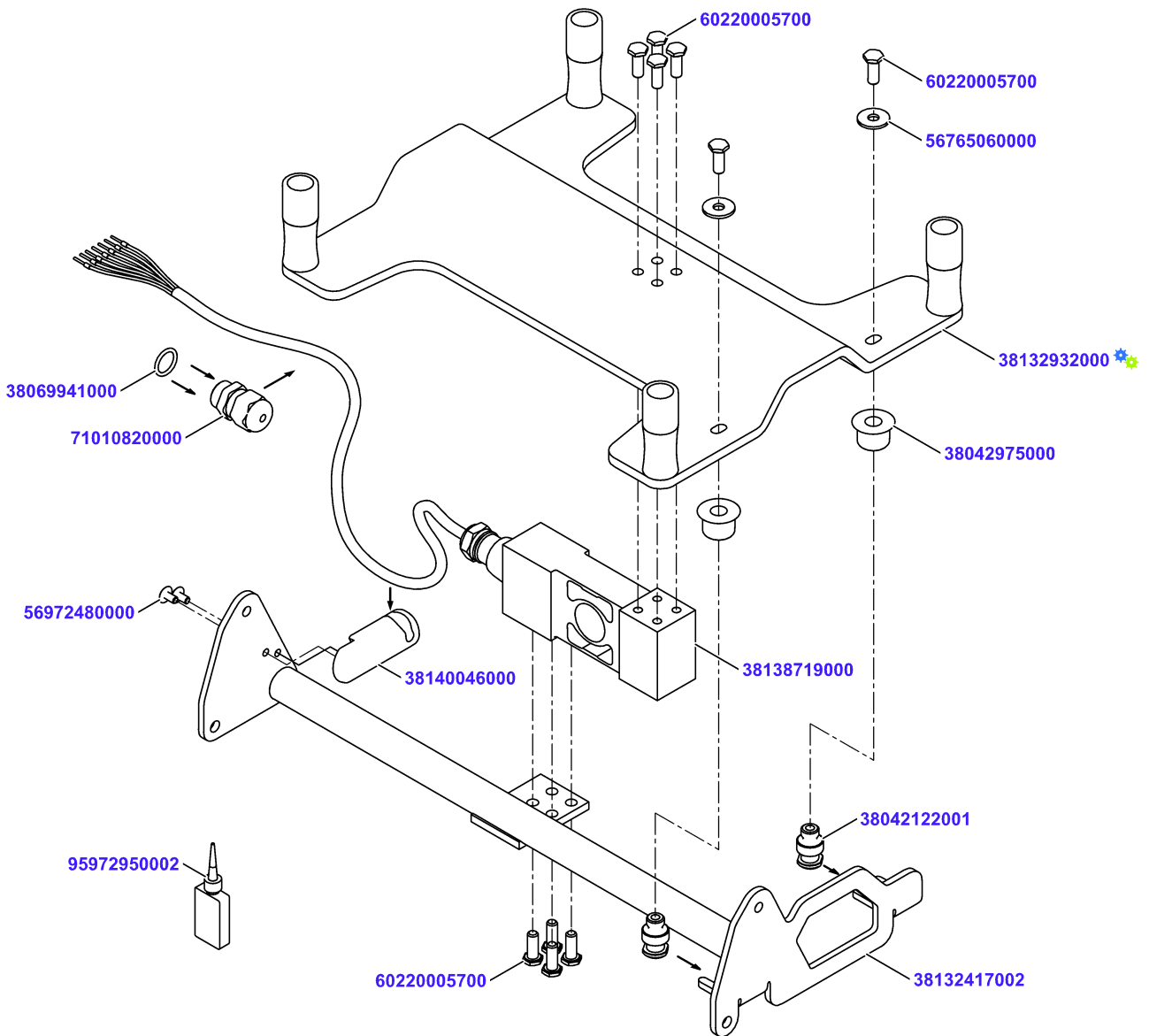


















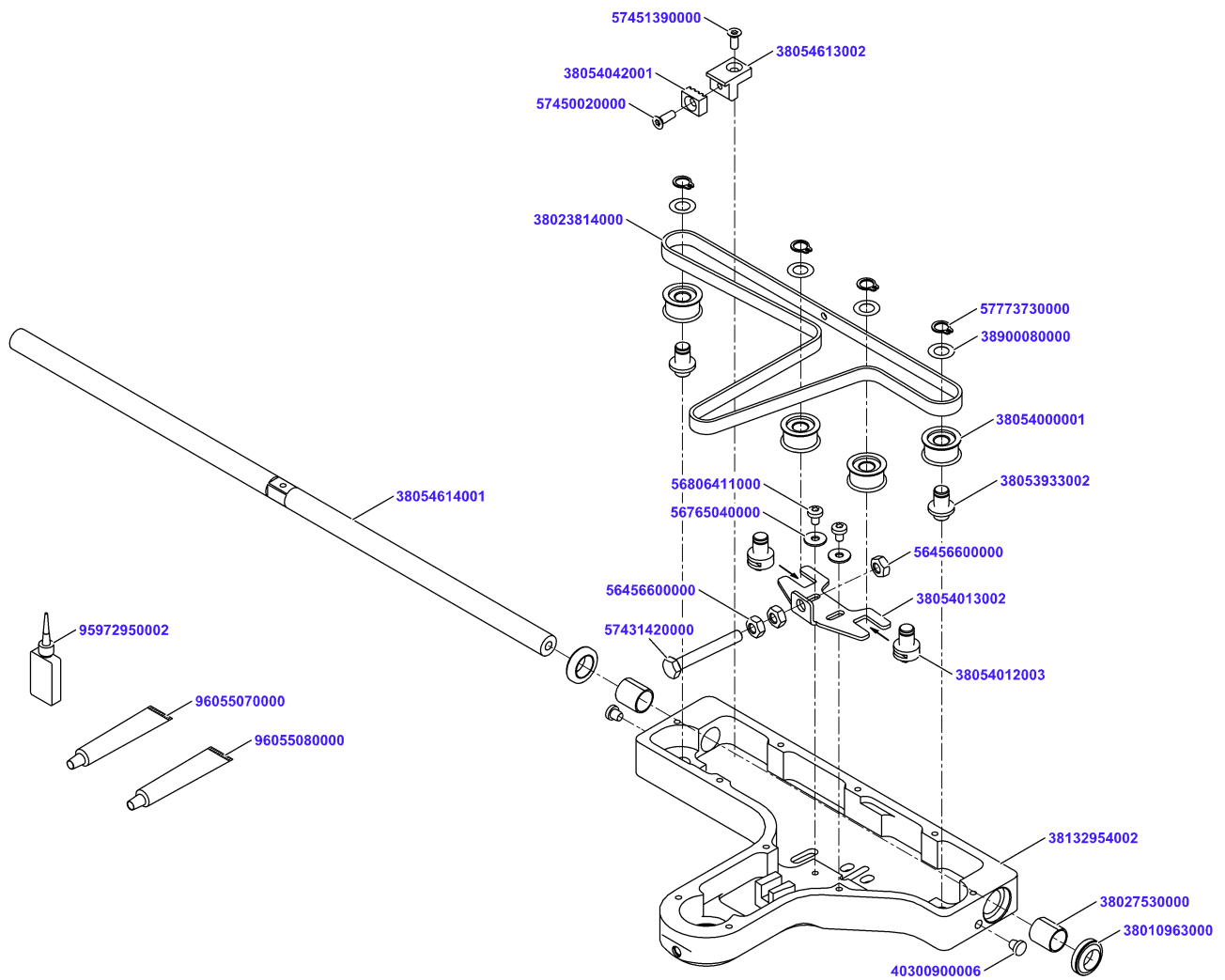


Table mounting scale cpl

Material No.	Qty	Material description	available for order	Wear part	Recomm. sp. part	Metr. relevance
95972950002	0,001	Loctite 243 50 ml				
38132417002	1	Bracket				
60220005700	2	hexagon screw oval-head M 6x16				
60220005700	2	hexagon screw oval-head M 6x16				
38140046000	1	Cable clip				
56972480000	2	Mushroom head screw M4x8-A2-70 Tuflok				
95972950002	0,001	Loctite 243 50 ml				
38138719000	1	weighing cell with cable 0,75m				
60220005700	4	hexagon screw oval-head M 6x16				
71010820000	1	Cable Gland M16 UL 53111010				
38069941000	1	O-ring 13x2 NBR				
38132932000	1	Carrier preass.				
60220005700	4	hexagon screw oval-head M 6x16				
38042975000	2	Bushing				
38042122001	2	Bolt				
60220005700	2	hexagon screw oval-head M 6x16				
56765060000	2	Washer DIN9021-6-A2				
56972480000	10	Mushroom head screw M4x8-A2-70 Tuflok				

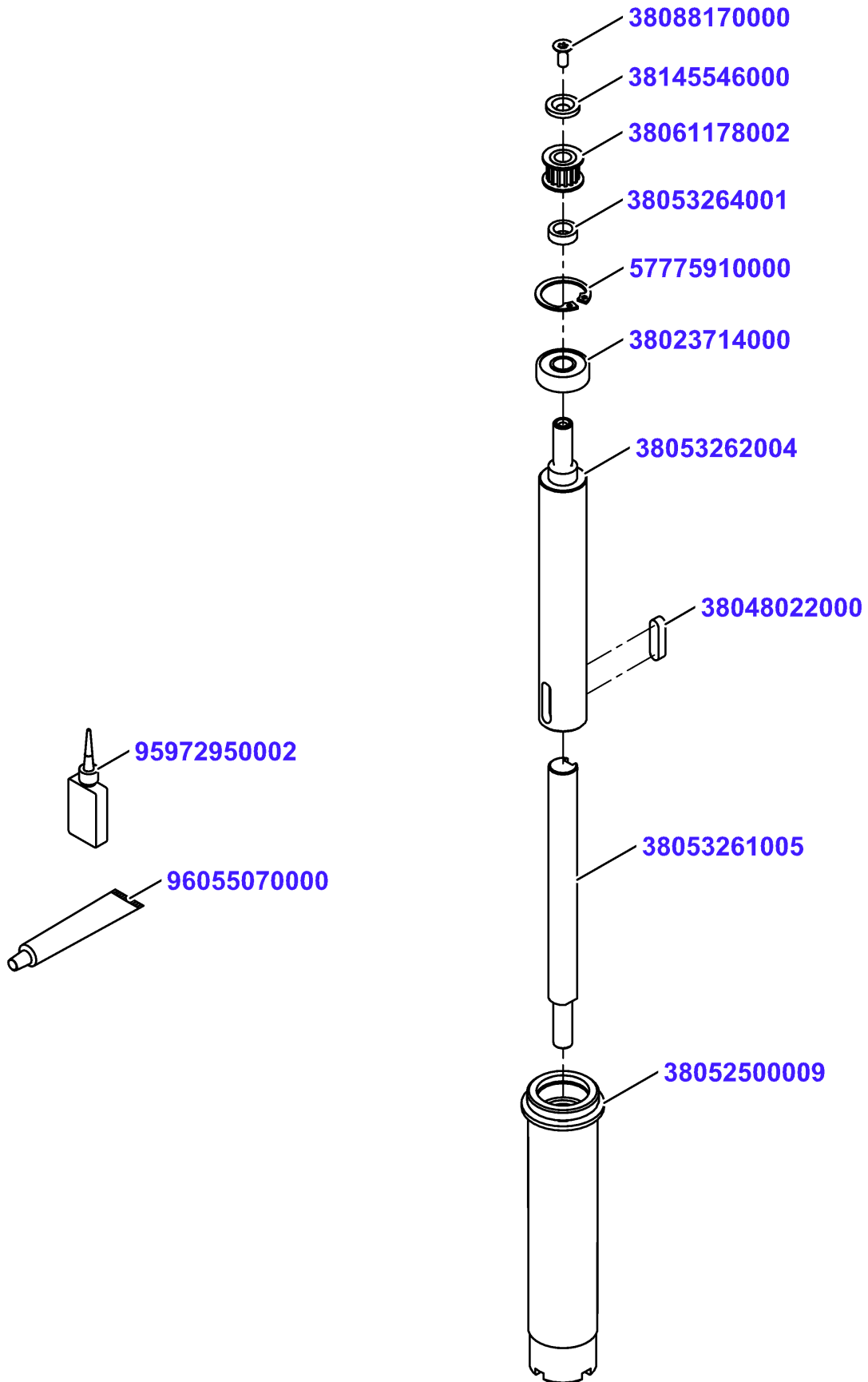
Mounting Scale preass














Mounting Scale preass

Material No.	Qty	Material description	available for order	Wear part	Recomm. sp. part	Metr. relevance
38132954002	1	Mounting scale	✓			
40300900006	2	slide pin	✓			
38027530000	2	Plain bearing 12x14x15	✓			
38010963000	2	Wiper ring 20x12x4	✓			
96055080000	0,001	Kluebersynth UH1 64-62/25kg	✓			
38053933002	2	Pin	✓			
38054000001	2	Tensioning roller 18 x 9 x 8H11	✓			
96055070000	0,001	Grease PARALIQ GA 343	✓			
38900080000	2	Shim ring DIN988-8x14x0,1	✓			
57773730000	2	Retaining ring DIN471-8x0,8	✓			
38054013002	1	tightening sheet metal	✓			
57431420000	1	Hexagon screw DIN933 M6x45 A2-70	✓			
56456600000	3	Hexagon nut DIN934-M6-A2	✓			
38054012003	2	Pin	✓			
38054000001	2	Tensioning roller 18 x 9 x 8H11	✓			
96055070000	0,001	Grease PARALIQ GA 343	✓			
38900080000	2	Shim ring DIN988-8x14x0,1	✓			
57773730000	2	Retaining ring DIN471-8x0,8	✓			
56806411000	2	Oval-head screw ISO14583 M4x6-A2-70-T20	✓			
56765040000	2	Washer DIN9021-4-A2	✓			
95972950002	0,001	Loctite 243 50 ml	✓			
38054614001	1	shaft	✓			
38054613002	1	clamp piece	✓			
57451390000	1	Countersunk screw DIN965 M4x10-A2-70-T20	✓			
95972950002	0,001	Loctite 243 50 ml	✓			
38054042001	1	Clamping plate	✓			
57450020000	1	Countersunk screw DIN965 M4x12-A2-70-T20	✓			
95972950002	0,001	Loctite 243 50 ml	✓			
38023814000	1	Belt pierced	✓			

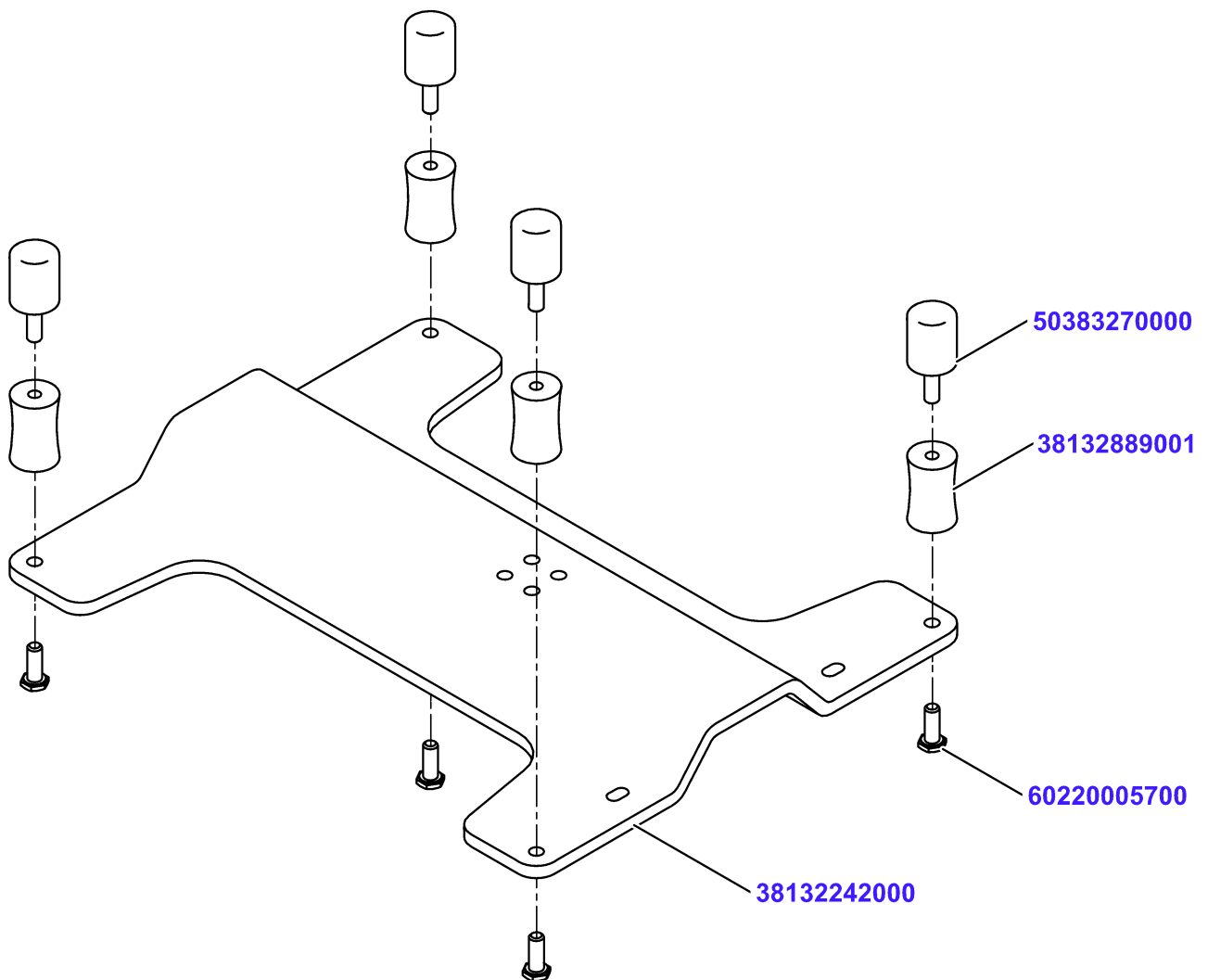
Lifting Tube cpl



Lifting Tube cpl

Material No.	Qty	Material description	available for order	Wear part	Recomm. sp. part	Metr. relevance
96055070000	0,001	Grease PARALIQ GA 343				
38023714000	1	Grooved ball bearing DIN625 8x22x7				
57775910000	1	Retaining ring DIN472-22x1				
38053262004	1	Guide 151x20				
38053264001	1	Spacer Ring				
38061178002	1	Belt Pulley S3M Z15 cpl				
38145546000	1	Washer 14x5,5x2				
38088170000	1	Countersunk screw ISO14581 M4x10-A2-50-*				
95972950002	0,001	Loctite 243 50 ml				
38053261005	1	Actuator 142x12f7				
38048022000	1	Parallel key DIN6885-A 5x4x20				

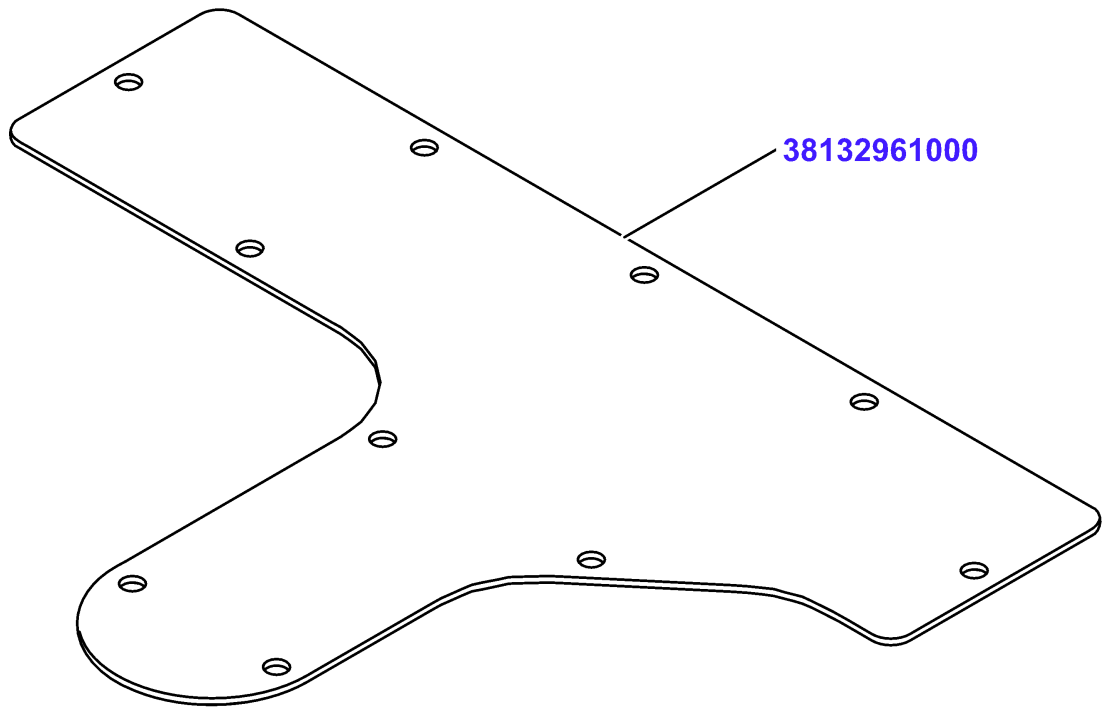
Carrier preass.



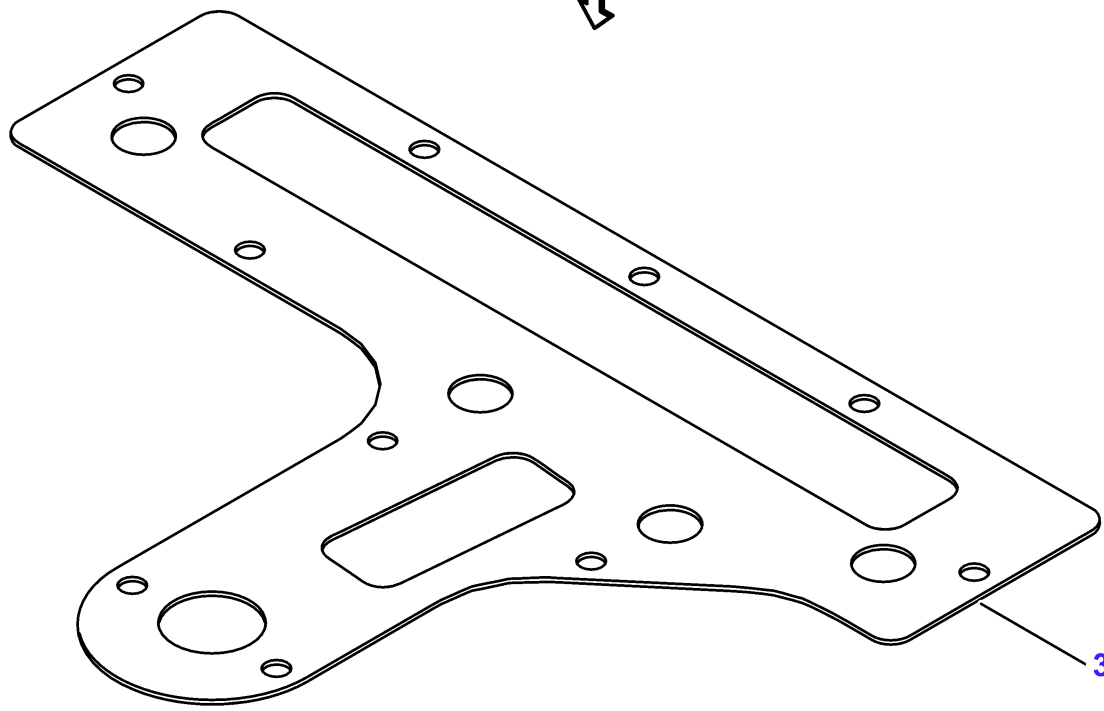
Carrier preass.

Material No.	Qty	Material description	available for order	Wear part	Recomm. sp. part	Metr. relevance
38132242000	1	Carrier				
38132889001	4	Spacer 20x31				
60220005700	4	hexagon screw oval-head M 6x16				
50383270000	4	Buffer 20xM6x23,5-A				

Cover preass.



38132961000



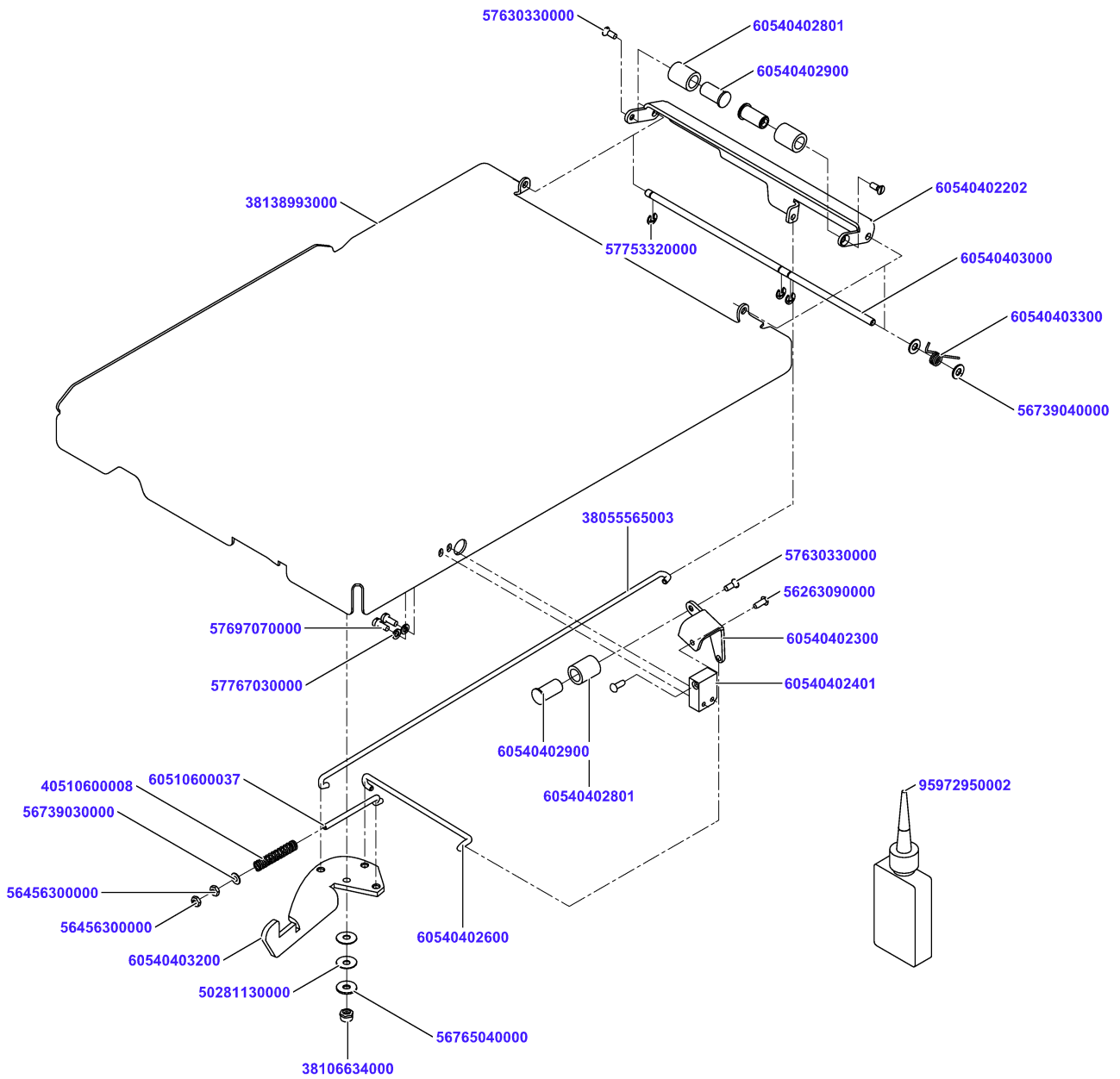
38132963000

Cover preass.

Material No.	Qty	Material description
38132961000	1	Cover 235x167x1,5
38132963000	1	Seal

available for order
Wear part
Recomm. sp. part
Metr. relevance

Depositing table cpl



Depositing table cpl

Material No.	Qty	Material description	available for order	Wear part	Recomm. sp. part	Metr. relevance
38138993000	1	depositing table welded	✓			
60540402401	1	block	✓			
57697070000	2	Cylinder screw DIN84 M3x8-A2-70	✓			
95972950002	0,001	Loctite 243 50 ml	✓			
57767030000	2	Spring lock washer DIN128-A3-FSt	✓			
60540402300	1	Paper holder short	✓			
60540402600	1	switch rod short	✓			
56263090000	2	Round Head Nail DIN 1476 3x8 A2-70	✓			
60540402900	1	mounting	✓			
57630330000	1	Countersunk screw DIN963 M3x8-A2-70	✓			
95972950002	0,001	Loctite 243 50 ml	✓			
60540402801	1	silicone tube	✓	✓		
60540402202	1	paper holder long	✓			
60540402900	2	mounting	✓			
57630330000	2	Countersunk screw DIN963 M3x8-A2-70	✓			
95972950002	0,001	Loctite 243 50 ml	✓			
60540402801	2	silicone tube	✓	✓		
60540403000	1	shaft	✓			
60540403300	1	leg spring	✓			
56739040000	2	Washer DIN125-A 4.3-A2-70	✓			
57753320000	2	Retaining washer DIN6799-3,2	✓		✓	
57753320000	1	Retaining washer DIN6799-3,2	✓		✓	
38055565003	1	Switch Rod long	✓			
60510600037	1	switch rod short	✓			
40510600008	1	pressure spring	✓			
56739030000	1	Washer DIN125-A-3-A2	✓			
56456300000	2	Hexagon nut DIN934-M3-A2	✓			
60540403200	1	Lever	✓			
50281130000	2	Disc spring 12x4,2x0,5	✓			
56765040000	1	Washer DIN9021-4-A2	✓			
38106634000	1	Lock nut ISO10511-M4-A4	✓			

Table mounting cpl

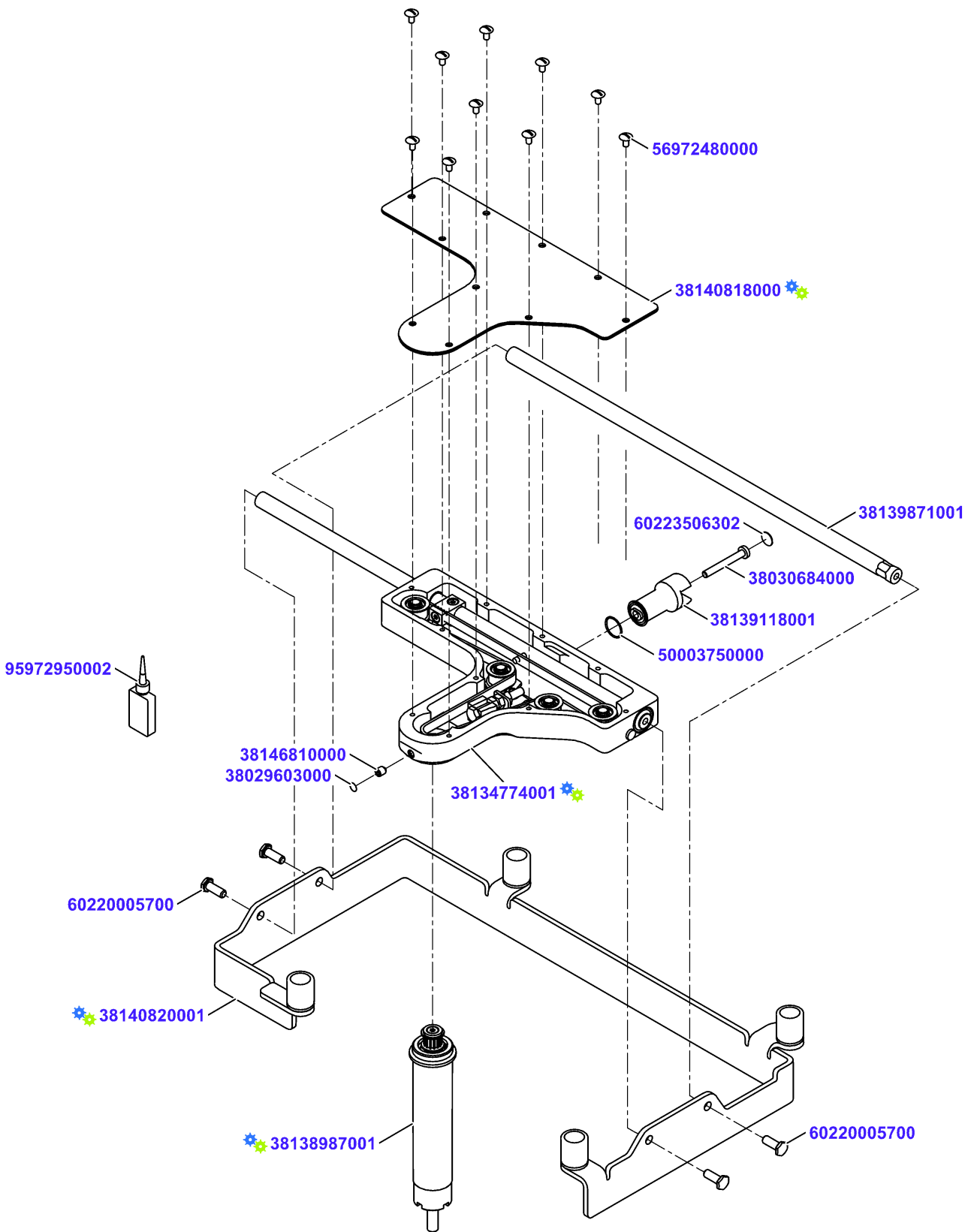
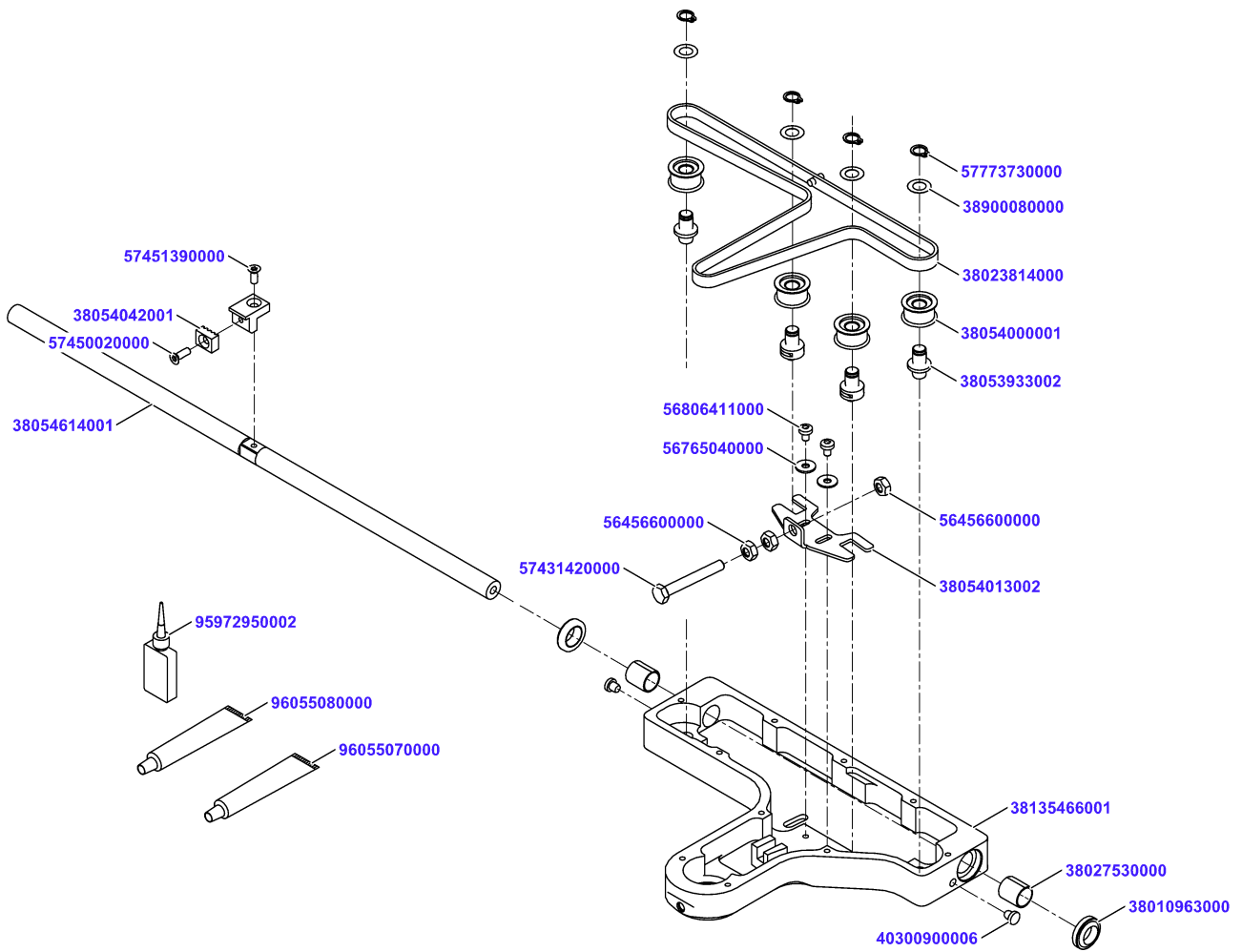


Table mounting cpl

Material No.	Qty	Material description	available for order	Wear part	Recomm. sp. part	Metr. relevance
38134774001	1	Mounting preass				
38138987001	1	Lifting Tube cpl				
38139118001	1	Guide	✓			
50003750000	1	O-ring DIN3771 15x1 NBR	✓			
38030684000	1	Oval-head screw ISO14583 M5x40-A2-70-T25	✓			
60223506302	1	cover 11x0,5	✓			
38140820001	1	Frame preass.	✓			
60220005700	2	hexagon screw oval-head M 6x16	✓			
38139871001	1	Axis 12x400	✓			
60220005700	2	hexagon screw oval-head M 6x16	✓			
38140818000	1	Cover preass.	✓			
56972480000	10	Mushroom head screw M4x8-A2-70 Tuflok	✓			
38146810000	1	Threaded bolt DIN914 M6x8-A2-70	✓			
38029603000	1	Protective plug 7x3,2x1,3-PE	✓		✓	

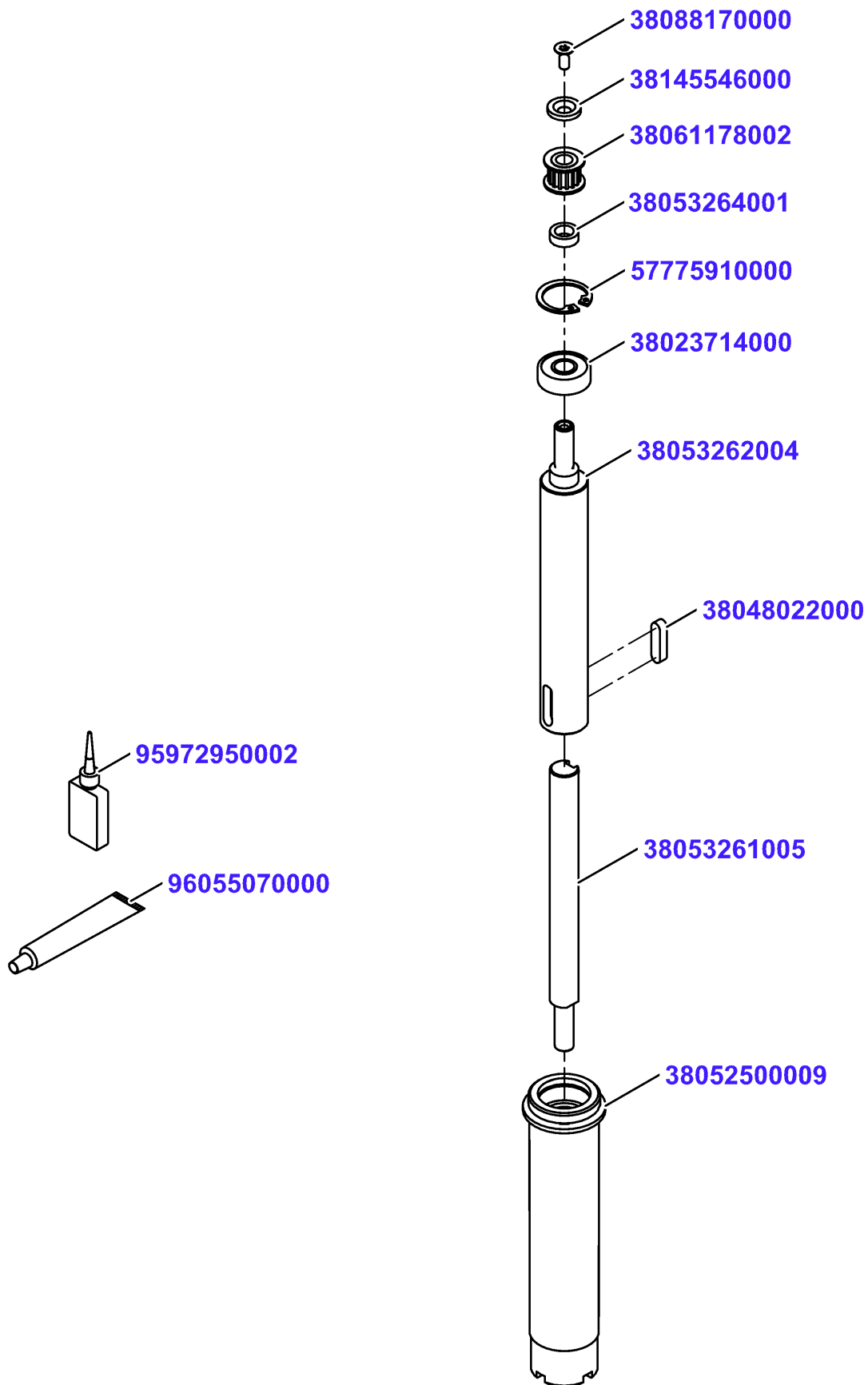
Mounting preass














Mounting preass

Material No.	Qty	Material description	available for order	Wear part	Recomm. sp. part	Metr. relevance
38135466001	1	Mounting no scale	✓			
40300900006	2	slide pin	✓			
38027530000	2	Plain bearing 12x14x15	✓			
38010963000	2	Wiper ring 20x12x4	✓			
96055080000	0,001	Kluebersynth UH1 64-62/25kg	✓			
38053933002	2	Pin	✓			
38054000001	2	Tensioning roller 18 x 9 x 8H11	✓			
96055070000	0,001	Grease PARALIQ GA 343	✓			
38900080000	2	Shim ring DIN988-8x14x0,1	✓			
57773730000	2	Retaining ring DIN471-8x0,8	✓			
38054013002	1	tightening sheet metal	✓			
57431420000	1	Hexagon screw DIN933 M6x45 A2-70	✓			
56456600000	3	Hexagon nut DIN934-M6-A2	✓			
38054012003	2	Pin	✓			
38054000001	2	Tensioning roller 18 x 9 x 8H11	✓			
38900080000	2	Shim ring DIN988-8x14x0,1	✓			
57773730000	2	Retaining ring DIN471-8x0,8	✓			
56806411000	2	Oval-head screw ISO14583 M4x6-A2-70-T20	✓			
56765040000	2	Washer DIN9021-4-A2	✓			
95972950002	0,001	Loctite 243 50 ml	✓			
38054614001	1	shaft	✓			
38054613002	1	clamp piece	✓			
57451390000	1	Countersunk screw DIN965 M4x10-A2-70-T20	✓			
38054042001	1	Clamping plate	✓			
57450020000	1	Countersunk screw DIN965 M4x12-A2-70-T20	✓			
38023814000	1	Belt pierced	✓			

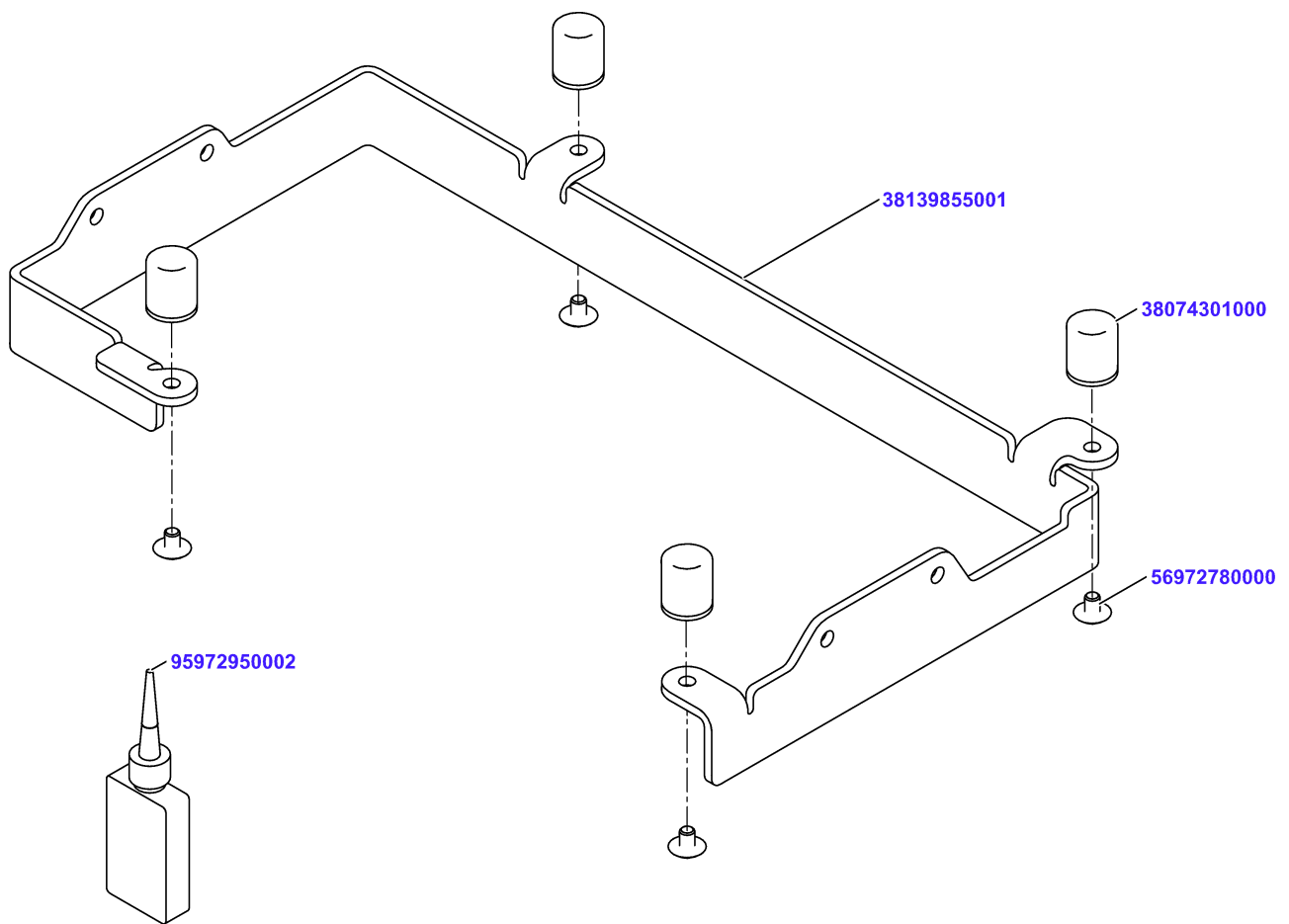
Lifting Tube cpl







Lifting Tube cpl

Material No.	Qty	Material description	available for order	Wear part	Recomm. sp. part	Metr. relevance
96055070000	0,001	Grease PARALIQ GA 343				
38023714000	1	Grooved ball bearing DIN625 8x22x7				
57775910000	1	Retaining ring DIN472-22x1				
38053262004	1	Guide 151x20				
38053264001	1	Spacer Ring				
38061178002	1	Belt Pulley S3M Z15 cpl				
38145546000	1	Washer 14x5,5x2				
38088170000	1	Countersunk screw ISO14581 M4x10-A2-50-*				
95972950002	0,001	Loctite 243 50 ml				
38053261005	1	Actuator 142x12f7				
38048022000	1	Parallel key DIN6885-A 5x4x20				

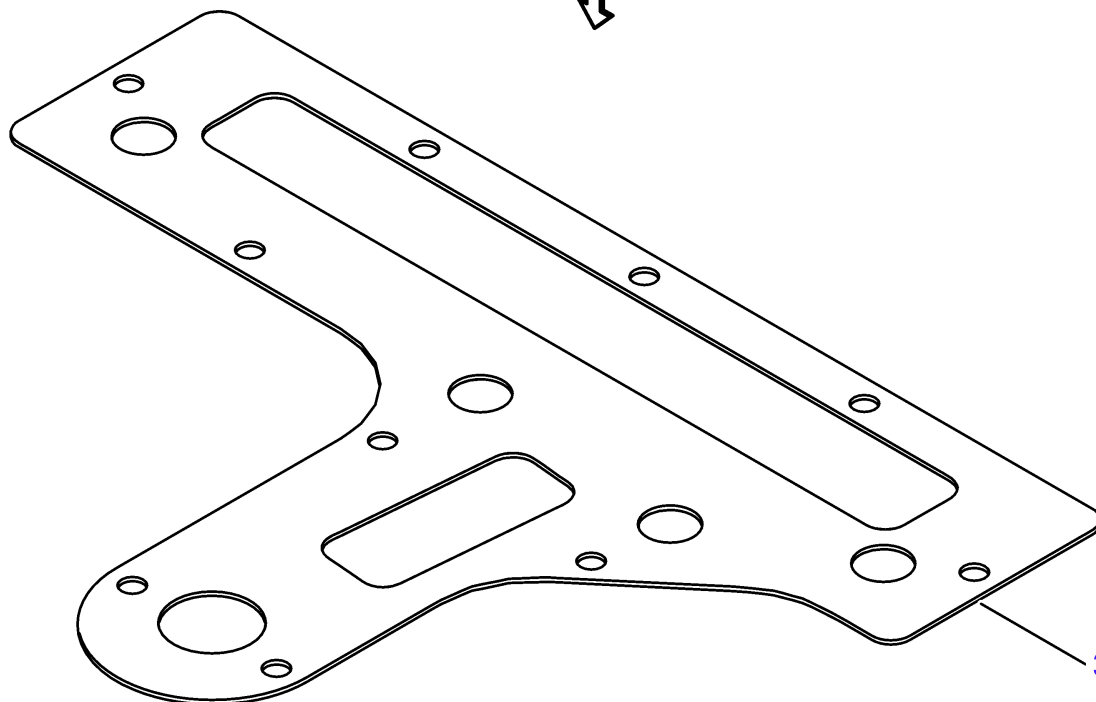
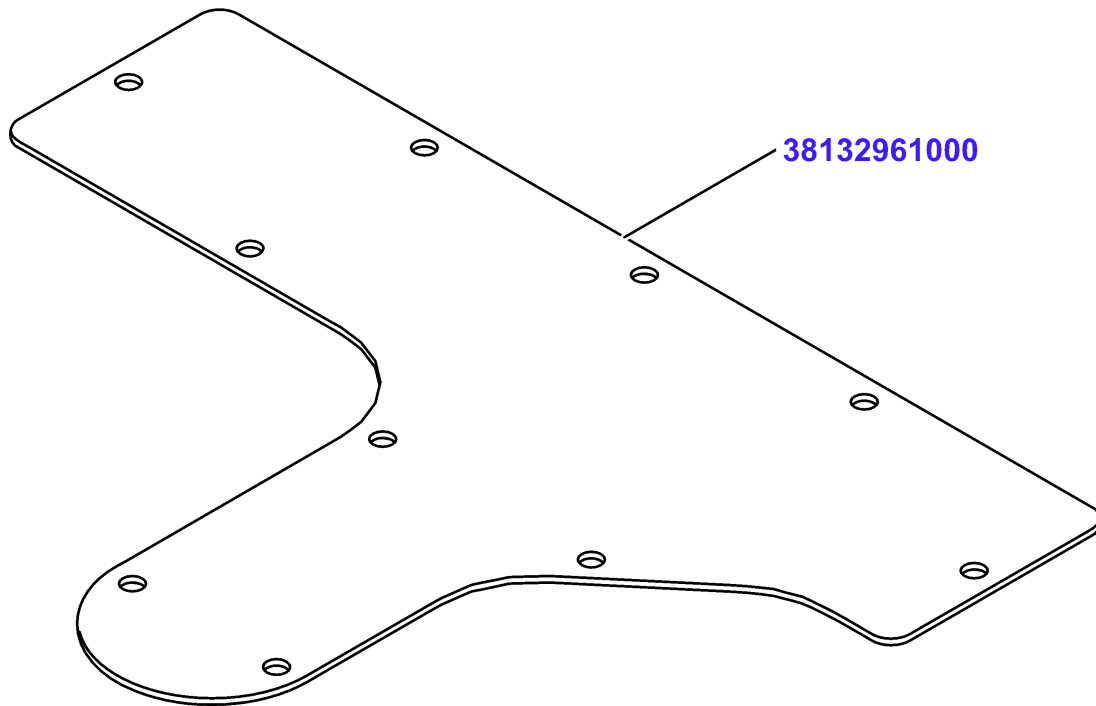
Frame preass.



Frame preass.

Material No.	Qty	Material description	available for order	Wear part	Recomm. sp. part	Metr. relevance
38139855001	1	Frame				
38074301000	4	Buffer 20xM6x23-I				
56972780000	4	Mushroom head screw M6x8-A2-70				
95972950002	0,001	Loctite 243 50 ml				

Cover preass.

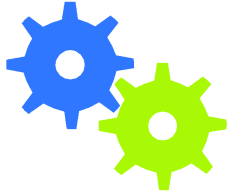


Cover preass.

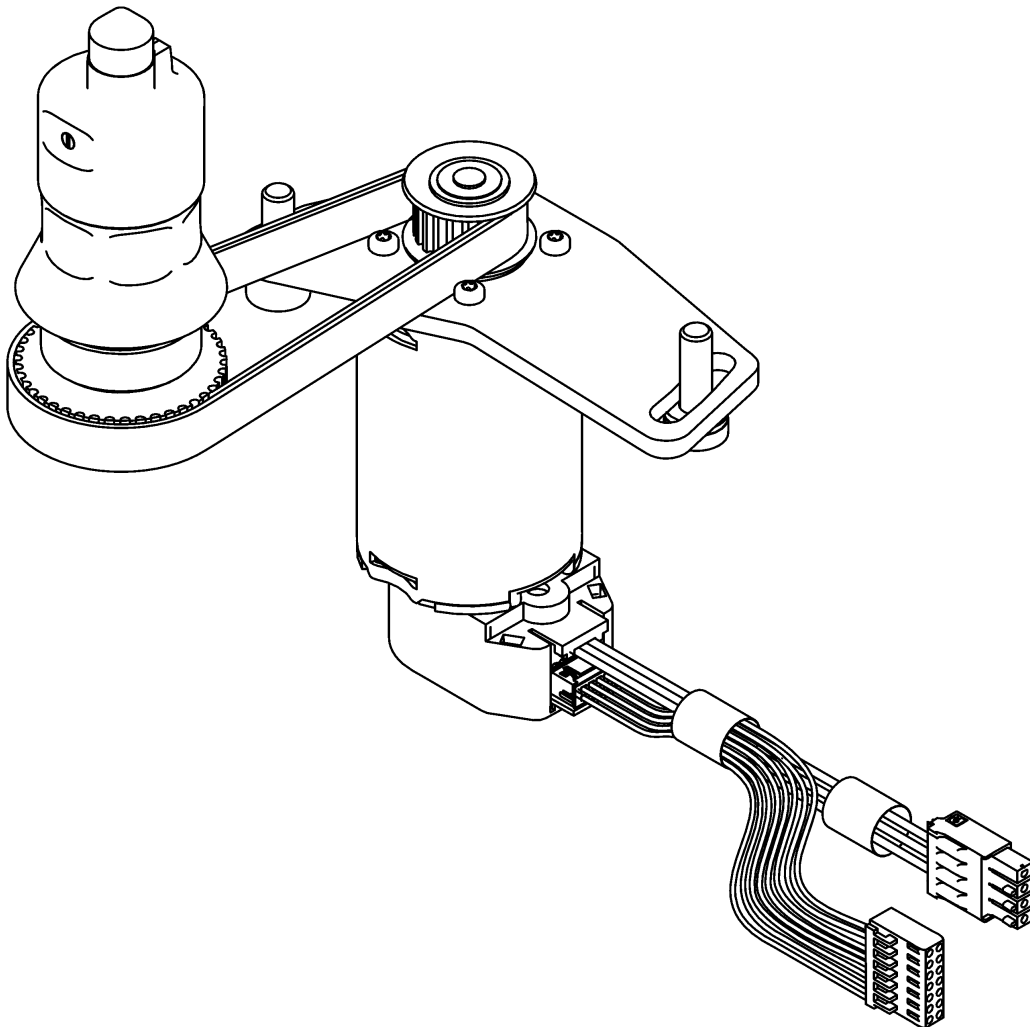
Material No.	Qty	Material description
38132961000	1	Cover 235x167x1,5
38132963000	1	Seal

available for order
Wear part
Recomm. sp. part
Metr. relevance

Chain frame drive



38140345000



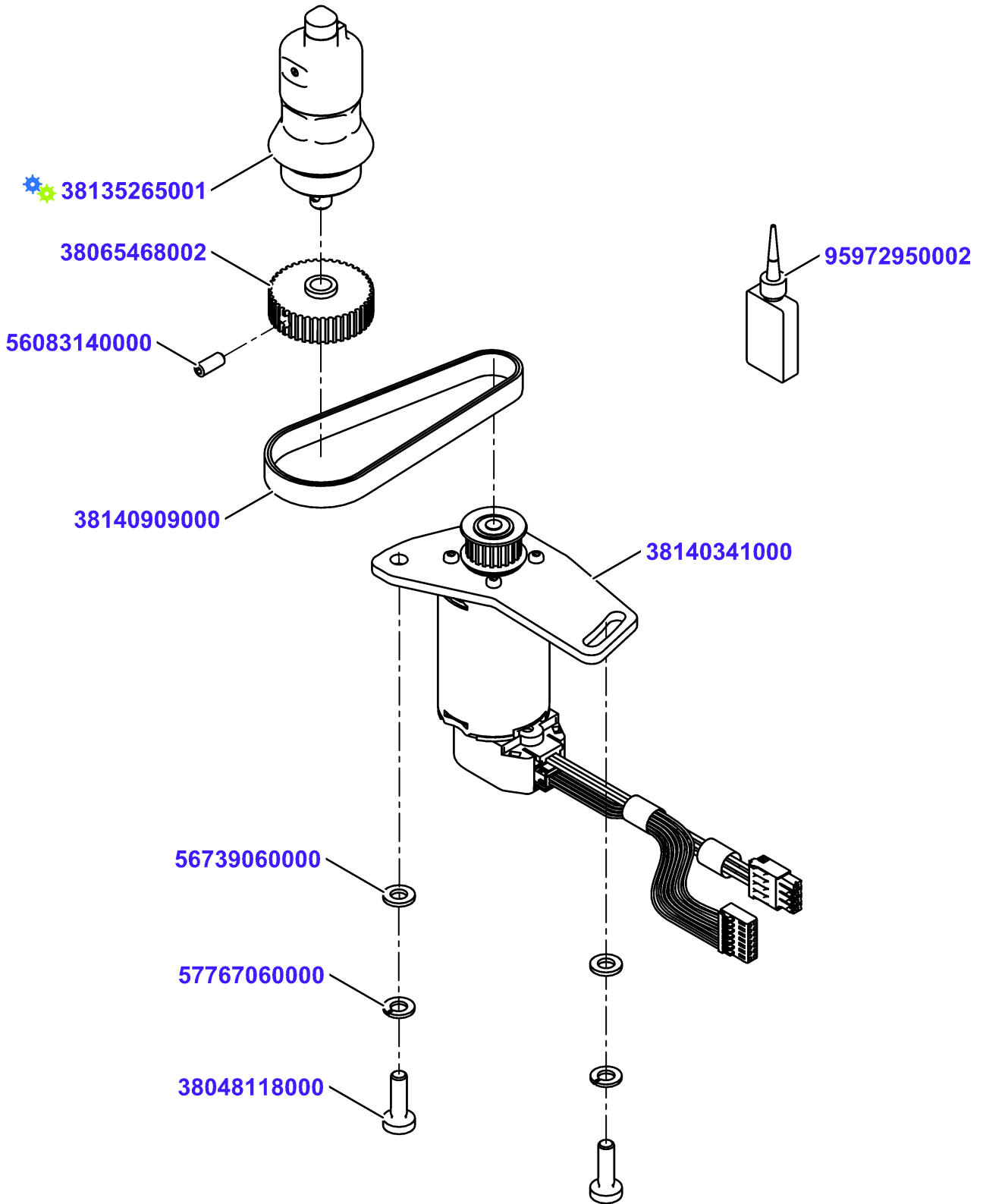
Chain frame drive

Material No.	Qty	Material description
--------------	-----	----------------------










38140345000	1	Drive Chainframe cpl
-----------------------------	---	----------------------

available for order
Wear part
Recomm. sp. part
Metr. relevance

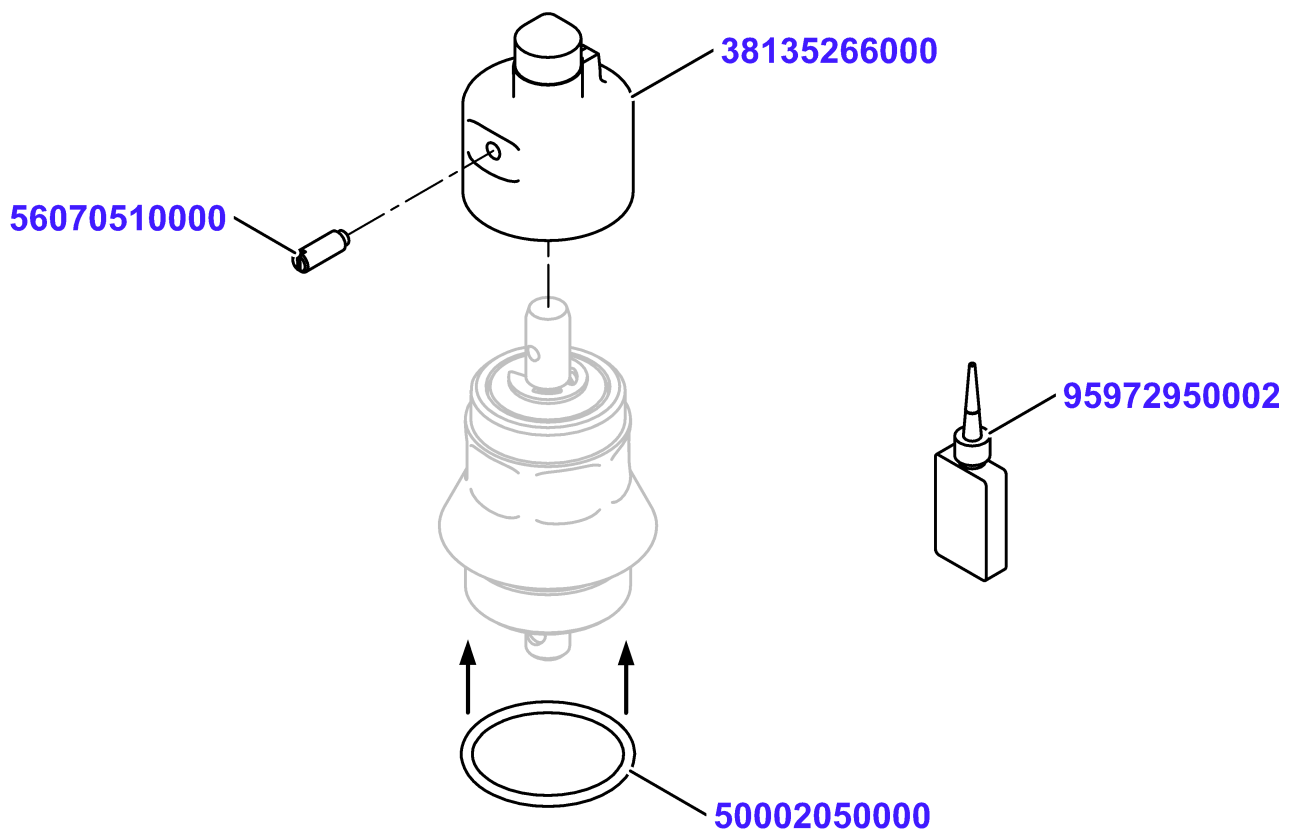
Drive Chainframe cpl



Drive Chainframe cpl

Material No.	Qty	Material description	available for order	Wear part	Recomm. sp. part	Metr. relevance
38140341000	1	Chaindrive preass				
38048118000	2	Oval-head screw ISO14583 M6x20-A2-70-T30				
56739060000	2	Washer DIN125-A-6-A2				
57767060000	2	Spring lock washer DIN128-A6-FSt				
38140909000	1	Toothed belt 9 HTD3x267				
38135265001	1	Chain Drive Shaft cpl				
95972950002	0,001	Loctite 243 50 ml				
56083140000	1	Set screw ISO4026 M5x12-A2-70				
38065468002	1	Belt Pulley Z 42 HTD 3M				

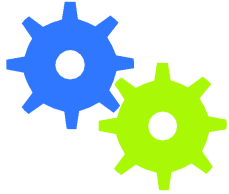
Chain Drive Shaft cpl



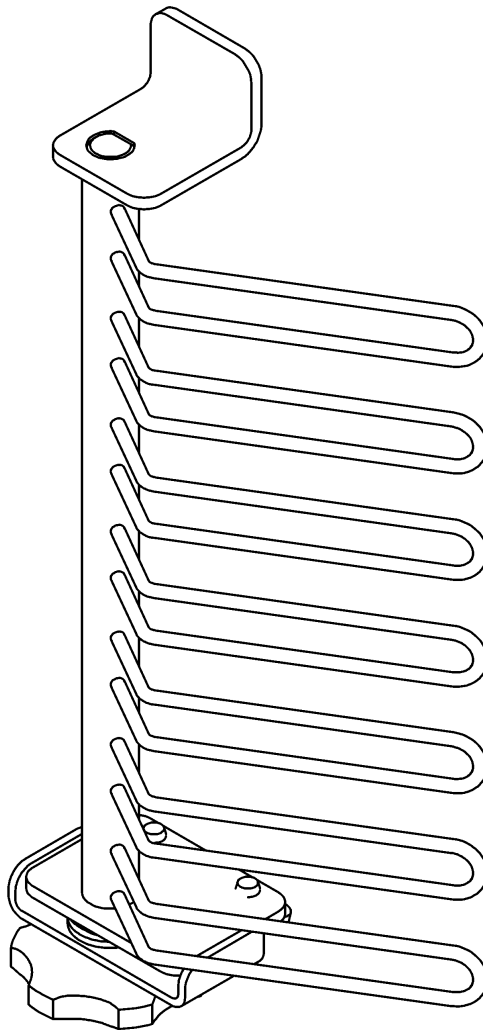
Chain Drive Shaft cpl

Material No.	Qty	Material description	available for order	Wear part	Recomm. sp. part	Metr. relevance
50002050000	1	O-ring DIN3771 27,5x2 NBR				
38135266000	1	Driving Pin				
56070510000	1	Set screw DIN926 M4x10-A2-70				
95972950002	0,001	Loctite 243 50 ml				

Chain frame + shaving deflector



38080991001



Chain frame + shaving deflector

Material No. **Qty** **Material description**

[38080991001](#) 1 Shaving Deflector

available for order

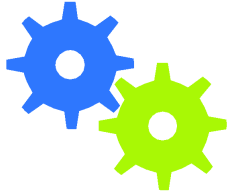
Wear part

Recomm. sp. part

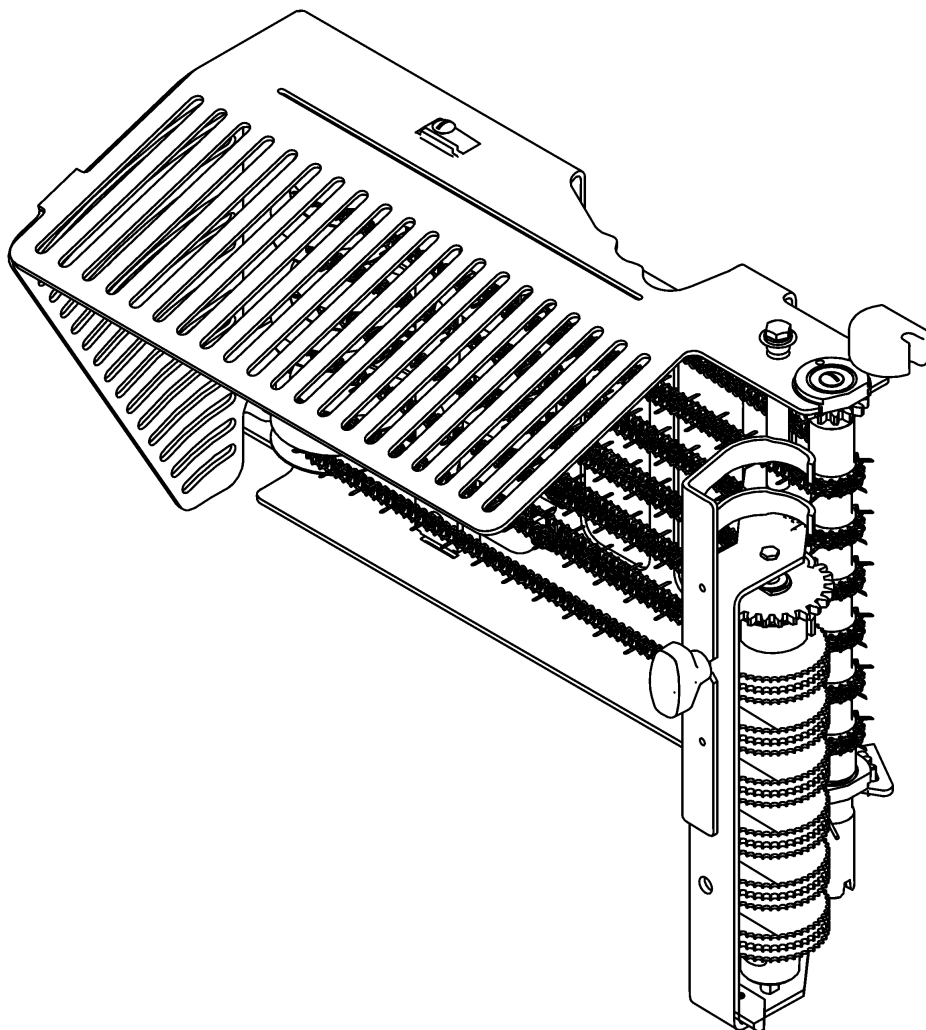
Metr. relevance



Chain frame + shaving deflector



38138652000



Chain frame + shaving deflector

Material No.	Qty	Material description
38138652000	1	Chainframe stainless steel cpl. VSI

available for order

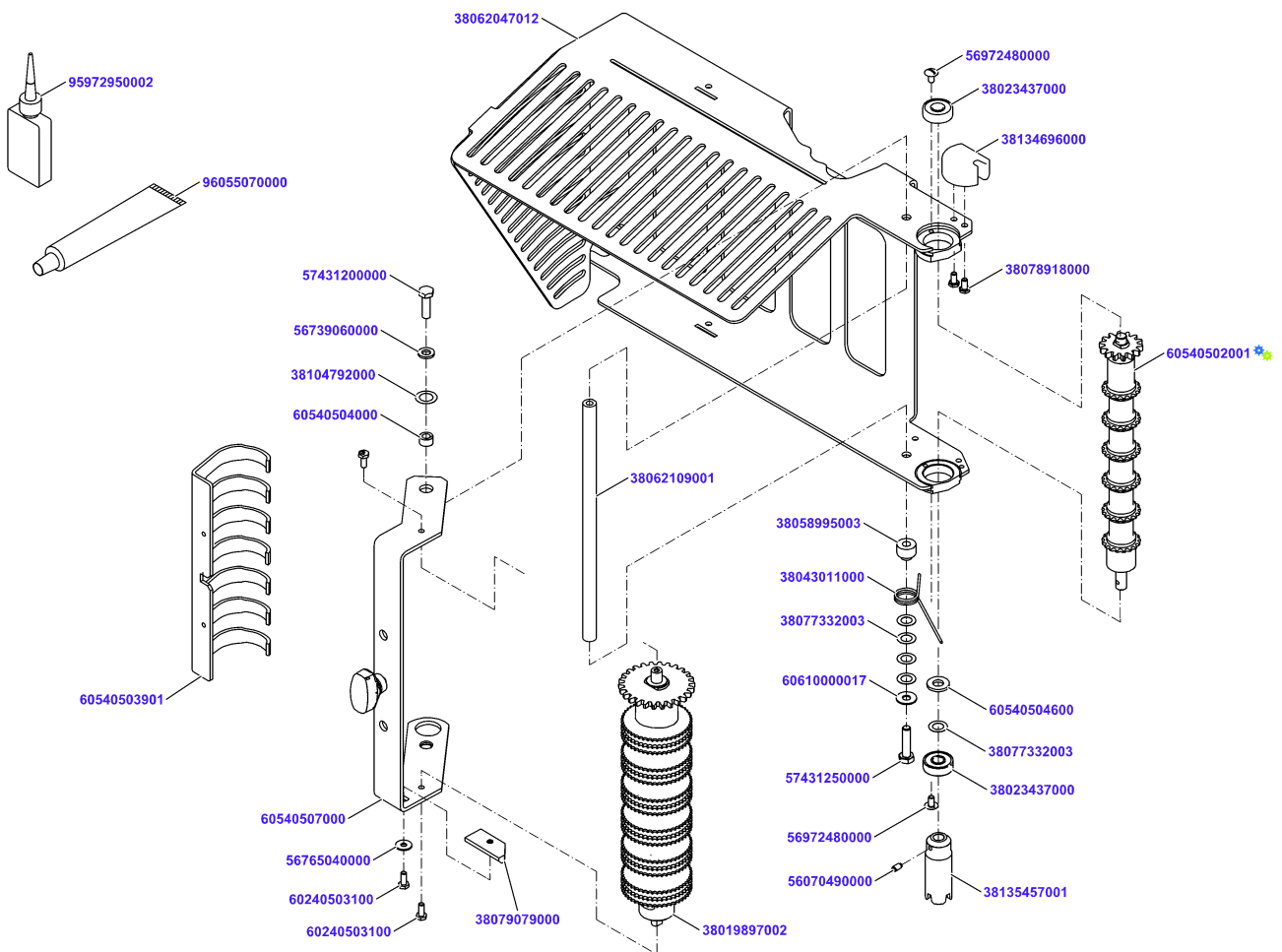
Wear part

Recomm. sp. part

Metr. relevance



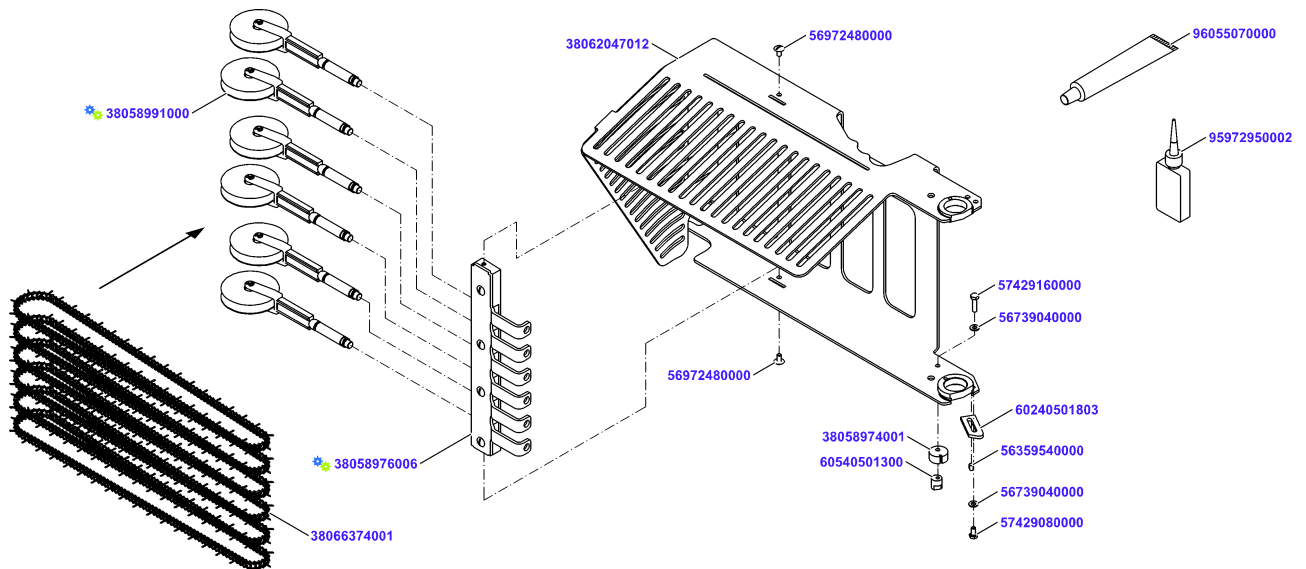
Chainframe stainless steel cpl. VSI



Chainframe stainless steel cpl. VSI

Material No.	Qty	Material description	available for order	Wear part	Recomm. sp. part	Metr. relevance
38062047012	1	Frame cpl. VSI	✓			
38023437000	2	Grooved Ball Bearing 608 2RSVA with Barr	✓			
95972950002	0,001	Loctite 243 50 ml	✓			
56972480000	2	Mushroom head screw M4x8-A2-70 Tuflok	✓			
60540502001	1	Plastic roller wheel cpl.	✓			
60540504600	1	cover plate	✓			
38077332003	1	Thrusted washer 13,8x8,2x0,18	✓			
56972480000	2	Mushroom head screw M4x8-A2-70 Tuflok	✓			
38135457001	1	Cam Sleeve preass.	✓		✓	
56070490000	1	Set screw DIN926 M4x6-A2-70	✓			
96055070000	0,001	Grease PARALIQ GA 343	✓			
38019897002	1	Plastic roller cpl	✓			
60540507000	1	bracket cpl.	✓			
60240503100	2	Hexagon screw DIN 933 M4x10-A2-70	✓			
38062109001	1	Distance Piece	✓			
60540504000	1	sleeve	✓			
38104792000	1	Shim ring DIN988-10x16x0,1	✓			
56739060000	1	Washer DIN125-A-6-A2	✓			
57431200000	1	Hexagon screw DIN933 M6x20 A2-70	✓			
38058995003	1	Bushing	✓			
38043011000	1	Torsion Spring	✓			
38077332003	4	Thrusted washer 13,8x8,2x0,18	✓			
60610000017	1	washer	✓			
57431250000	1	Hexagon screw DIN933 M6x25 A2-70	✓			
38079079000	1	Driver	✓			
60240503100	1	Hexagon screw DIN 933 M4x10-A2-70	✓			
56765040000	1	Washer DIN9021-4-A2	✓			
60540503901	1	guide cam	✓			
38134696000	1	Fixation 35x15	✓			
38078918000	2	Hexagon Screw M4x8 A2-70 rounded head	✓			

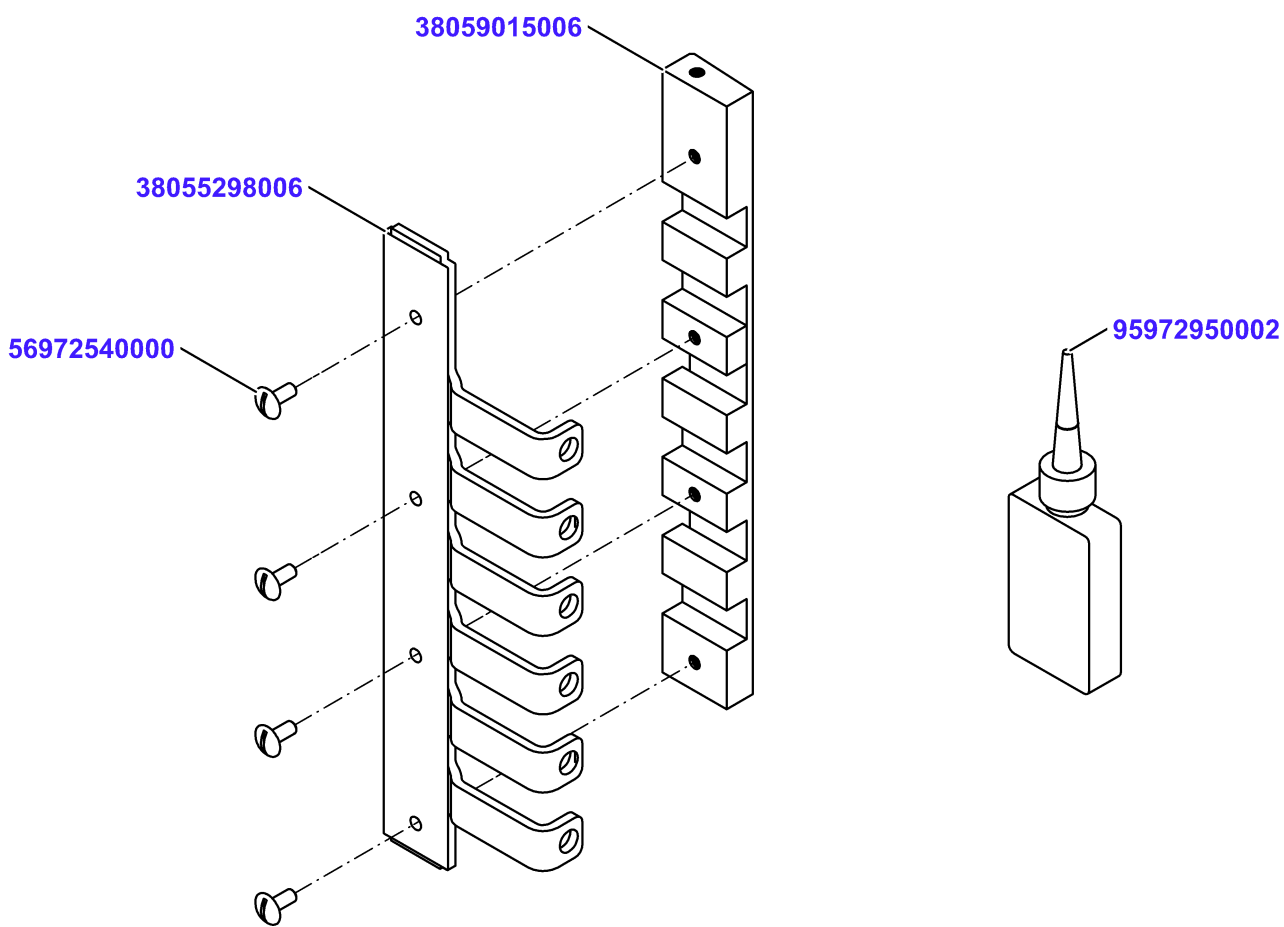
Chainframe stainless steel cpl. VSI







Chainframe stainless steel cpl. VSI

Material No.	Qty	Material description	available for order	Wear part	Recomm. sp. part	Metr. relevance
38062047012	1	Frame cpl. VSI	✓			
38058974001	1	Tappet	✓			
60540501300	1	stop	✓			
57429160000	1	Hexagon screw DIN933 M4x16 A2-70	✓			
56739040000	1	Washer DIN125-A 4.3-A2-70	✓			
95972950002	0,001	Loctite 243 50 ml	✓			
38058976006	1	Slider Mounting cpl	✓			
56972480000	2	Mushroom head screw M4x8-A2-70 Tuflok	✓			
56972480000	2	Mushroom head screw M4x8-A2-70 Tuflok	✓			
38058991000	6	Slider cpl	✓			
96055070000	0,001	Grease PARALIQ GA 343	✓			
38066374001	6	Chain	✓	✓	✓	
60240501803	1	Driver 35x14x3	✓			
56359540000	1	Grooved Pin DIN 1473-4x6-A2-70	✓			
57429080000	1	Hexagon screw DIN933 M4x8 A2-70	✓			
56739040000	1	Washer DIN125-A 4.3-A2-70	✓			

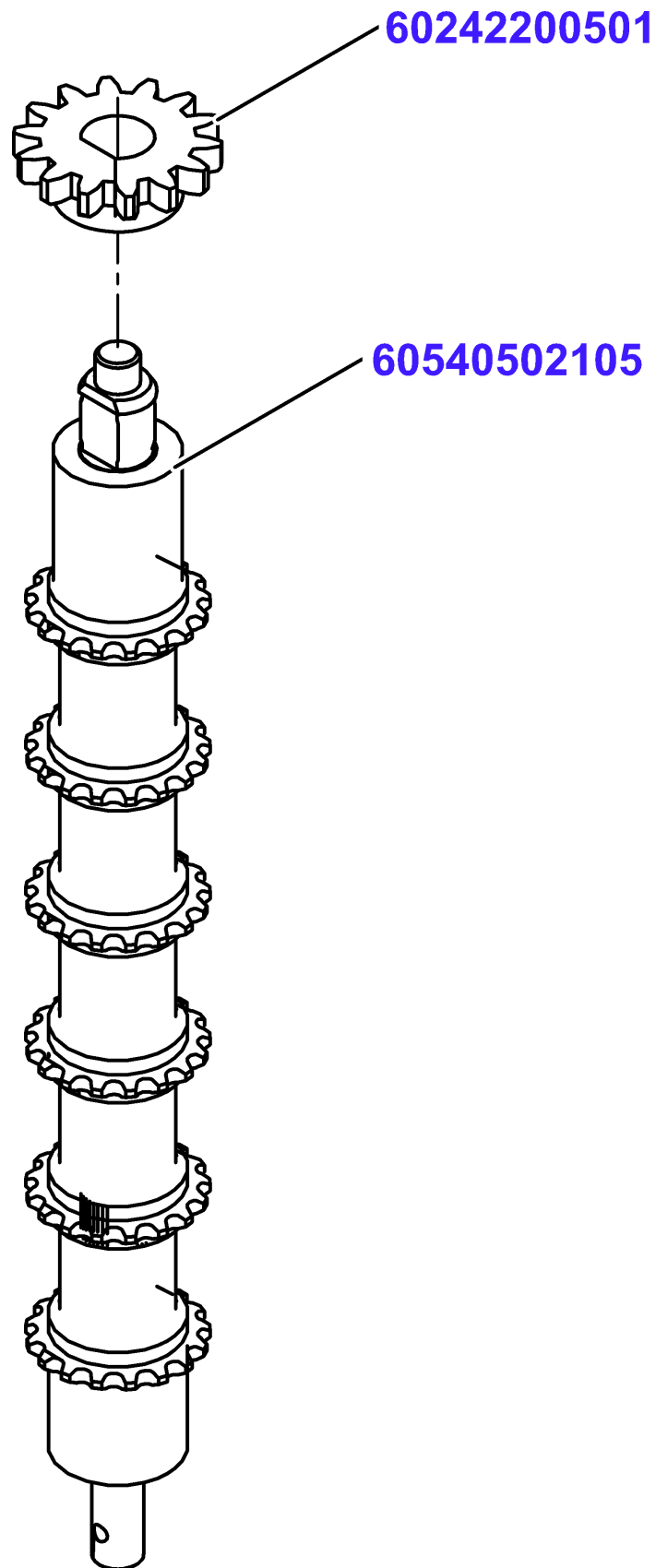
Slider Mounting cpl



Slider Mounting cpl

Material No.	Qty	Material description	available for order	Wear part	Recomm. sp. part	Metr. relevance
38059015006	1	Slider Mounting				
38055298006	1	Plate				
56972540000	4	Mushroom head screw M4x10-A2-70				
95972950002	0,001	Loctite 243 50 ml				

Plastic roller wheel cpl.

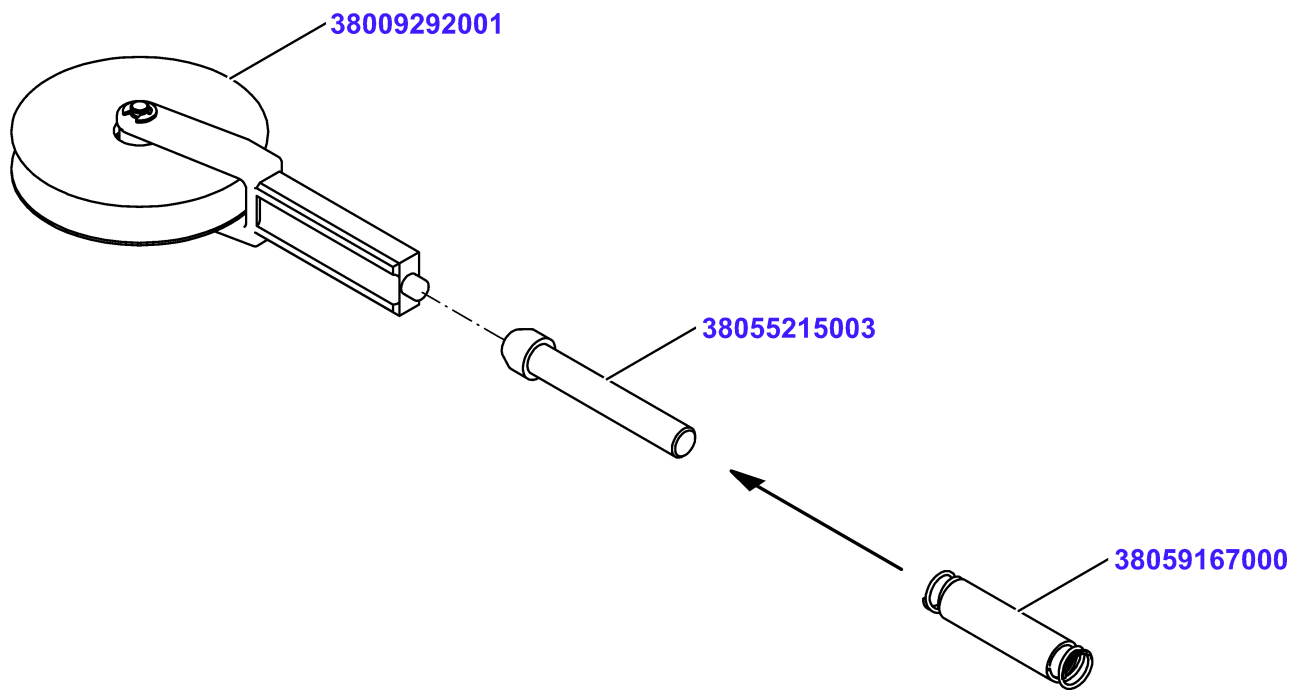


Plastic roller wheel cpl.

Material No.	Qty	Material description
60540502105	1	Drive roller chain frame
60242200501	1	gear wheel for drive roller

available for order
Wear part
Recomm. sp. part
Metr. relevance

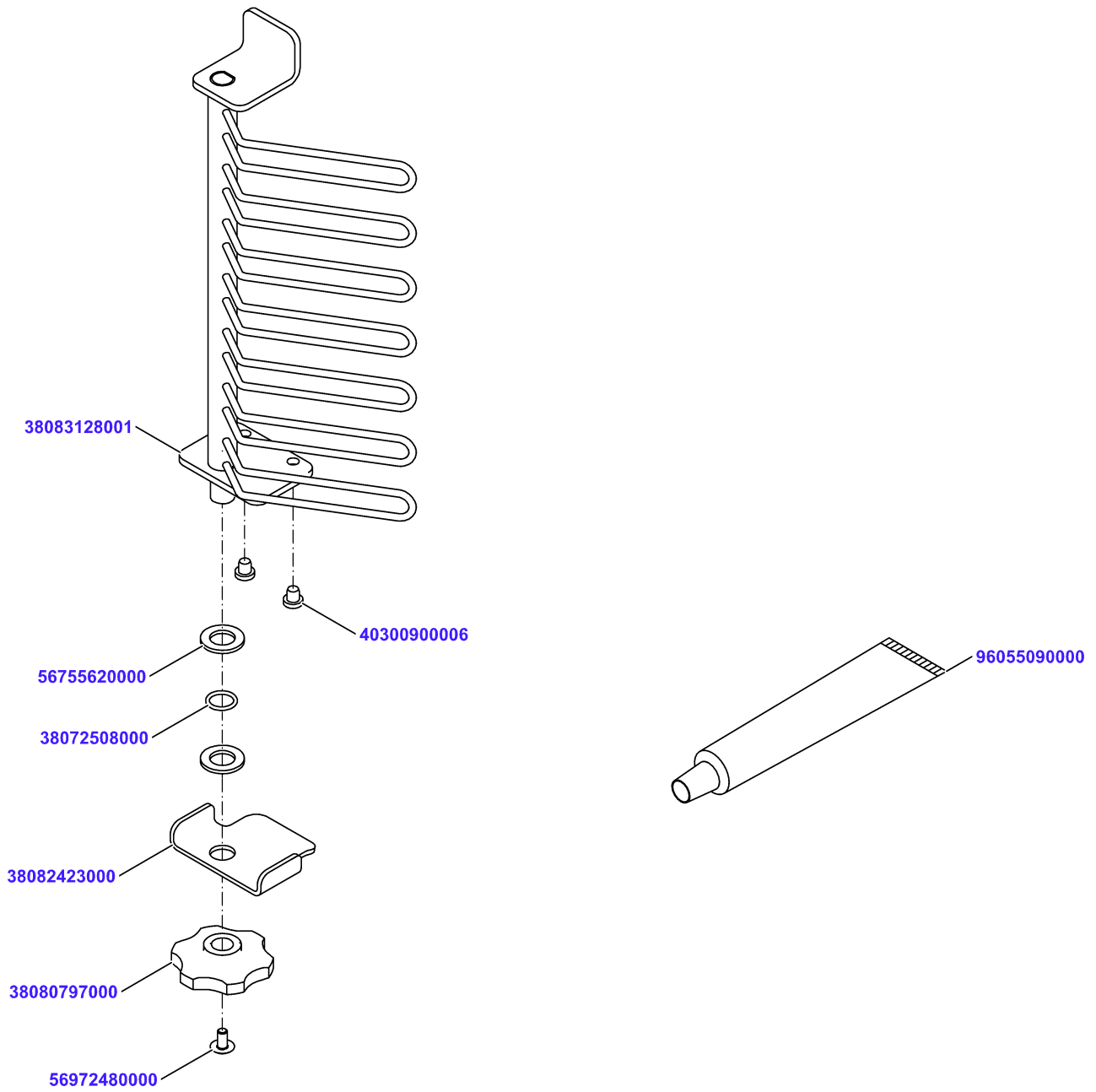
Slider cpl



Slider cpl

Material No.	Qty	Material description	available for order	Wear part	Recomm. sp. part	Metr. relevance
38009292001	1	Slider prem				
38055215003	1	Bolt				
38059167000	1	Comp. spring 9,5x7,7x43x13,49-0,86				

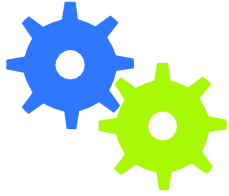
Shaving Deflector



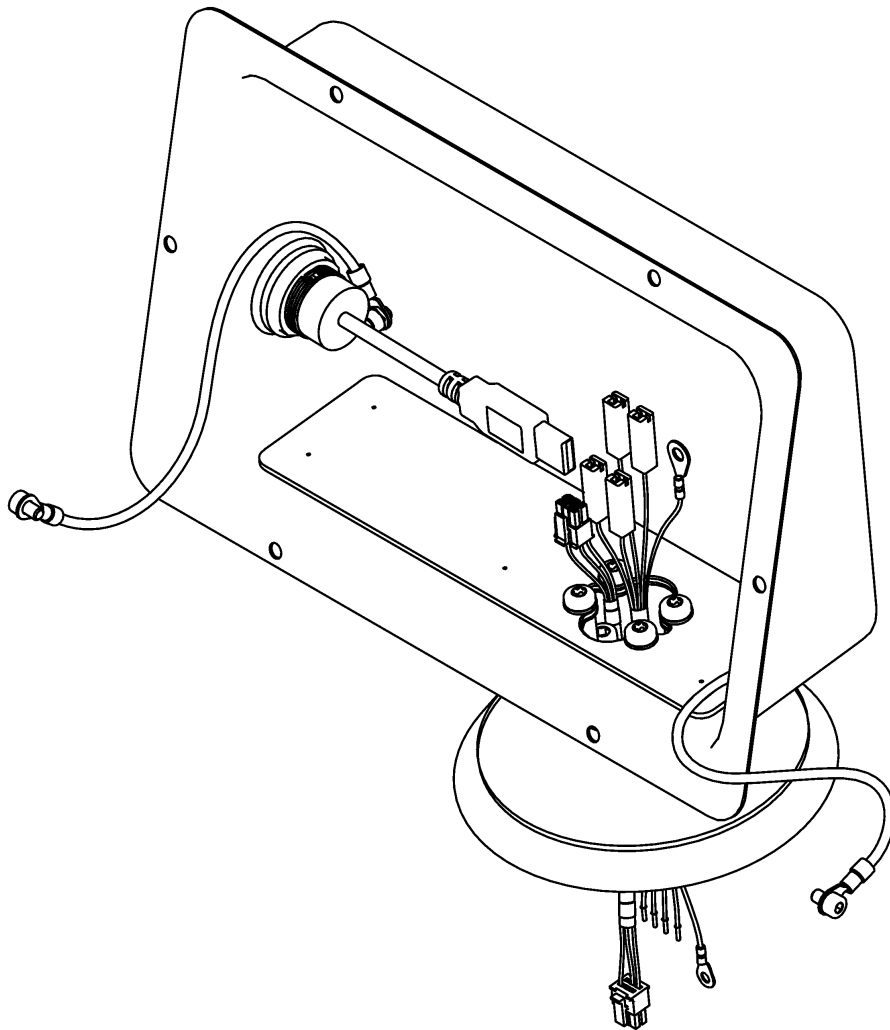
Shaving Deflector

Material No.	Qty	Material description	available for order	Wear part	Recomm. sp. part	Metr. relevance
38083128001	1	Shaft preassembled				
40300900006	2	slide pin				
38082423000	1	Clamping plate				
38072508000	1	O-ring 10x1,5 NBR				
56755620000	2	Washer DIN433-10-PA66				
38080797000	1	Star Knob				
96055090000	0,001	Assembly-paste Rivolta F.L.A. 100 ml				
56972480000	1	Mushroom head screw M4x8-A2-70 Tuflok				

Terminal



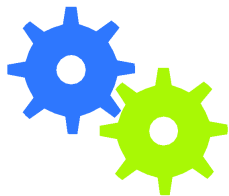
38057764007



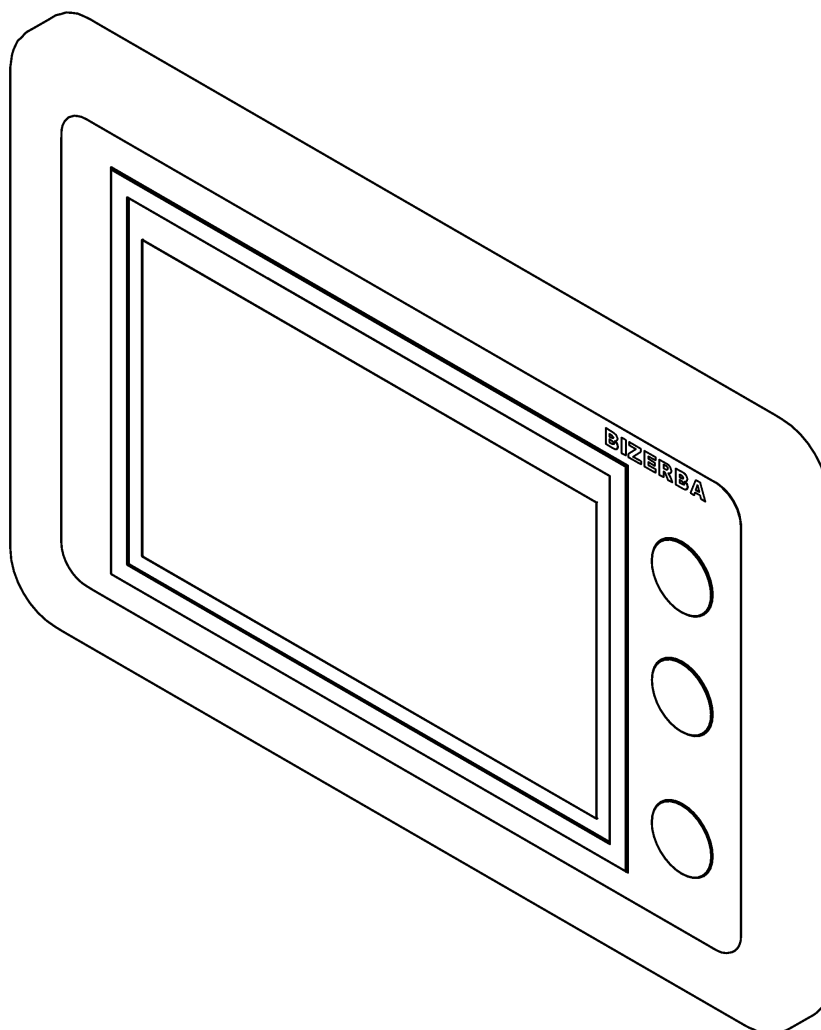
Terminal

Material No.	Qty	Material description	available for order	Wear part	Recomm. sp. part	Metr. relevance
38057764007	1	Terminal Mounting Kit top cpl.				

Terminal



38057765005



up to 11993764

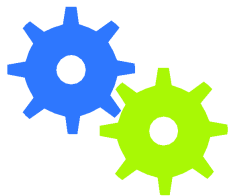
Terminal

Material No. **Qty** **Material description**

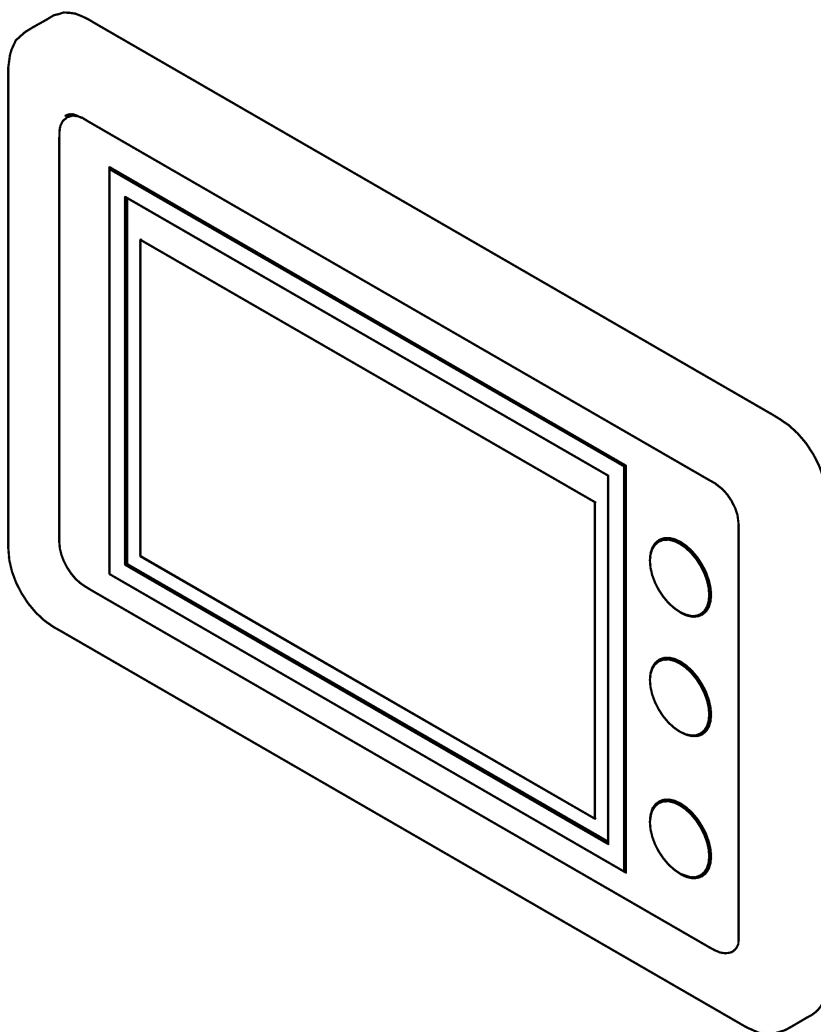
[38057765005](#) 1 Terminal Front cpl.

available for order
Wear part
Recomm. sp. part
Metr. relevance

Terminal



38057765006



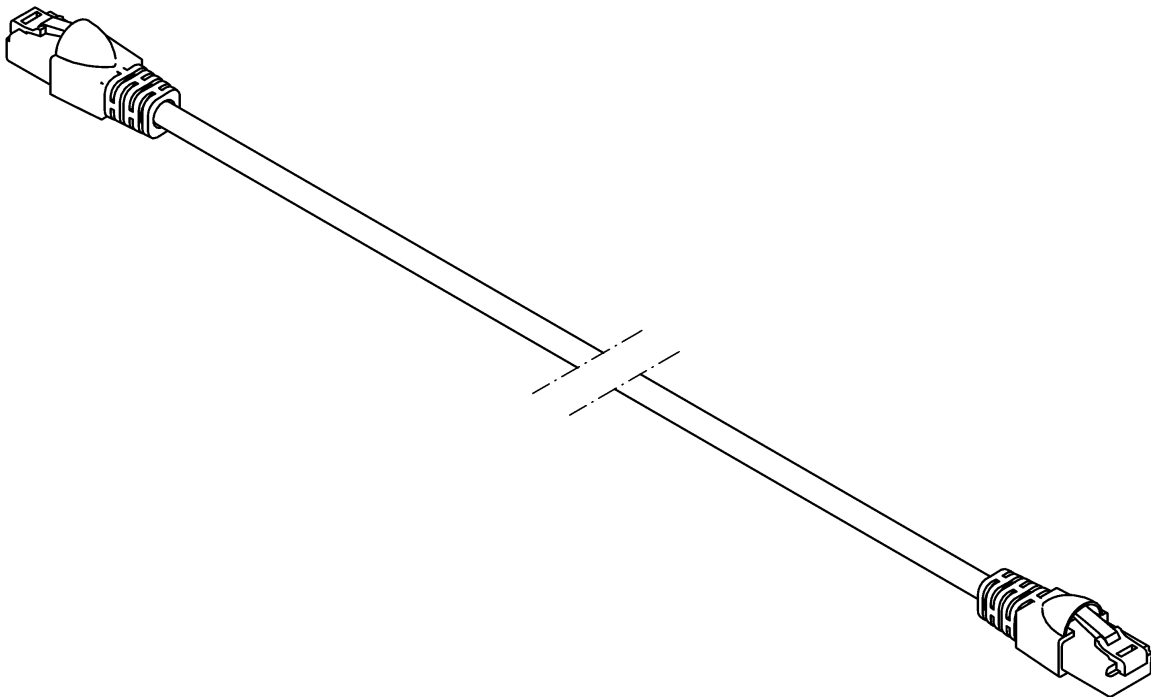
from 11993765

Terminal


Material No.	Qty	Material description	available for order	Wear part	Recomm. sp. part	Metr. relevance
38057765006	1	Terminal Front cpl. VSI				

Terminal

38067150000

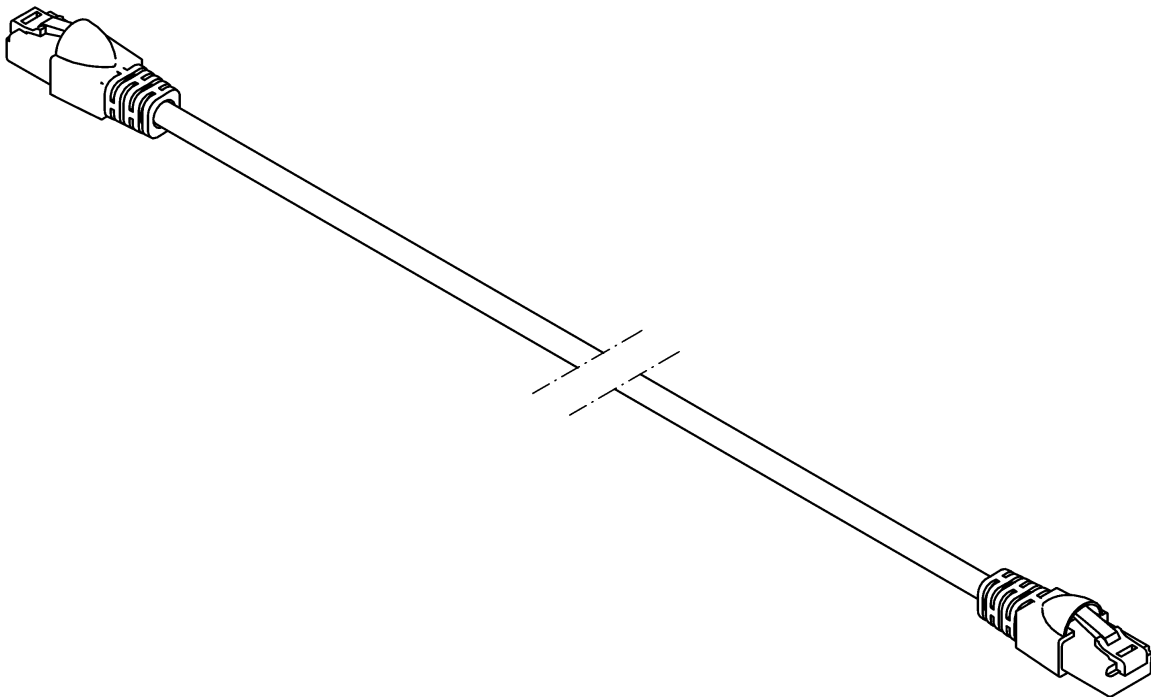


Terminal


Material No.	Qty	Material description	available for order	Wear part	Recomm. sp. part	Metr. relevance
38067150000	1	Patchcable 3,0m CAT6a AWG27 halogen-free				

Terminal

38067162000

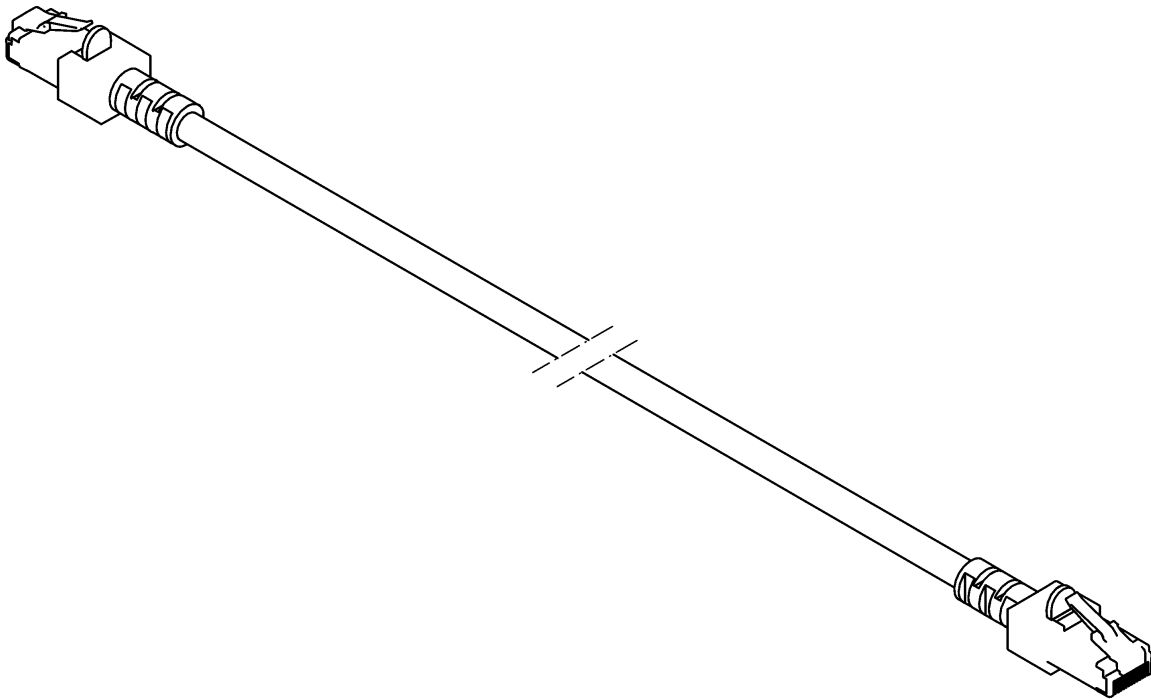


Terminal

Material No.	Qty	Material description	available for order	Wear part	Recomm. sp. part	Metr. relevance
38067162000	1	Patchcable 5,0m CAT6a AWG27 halogen-free				

Terminal

71473870000



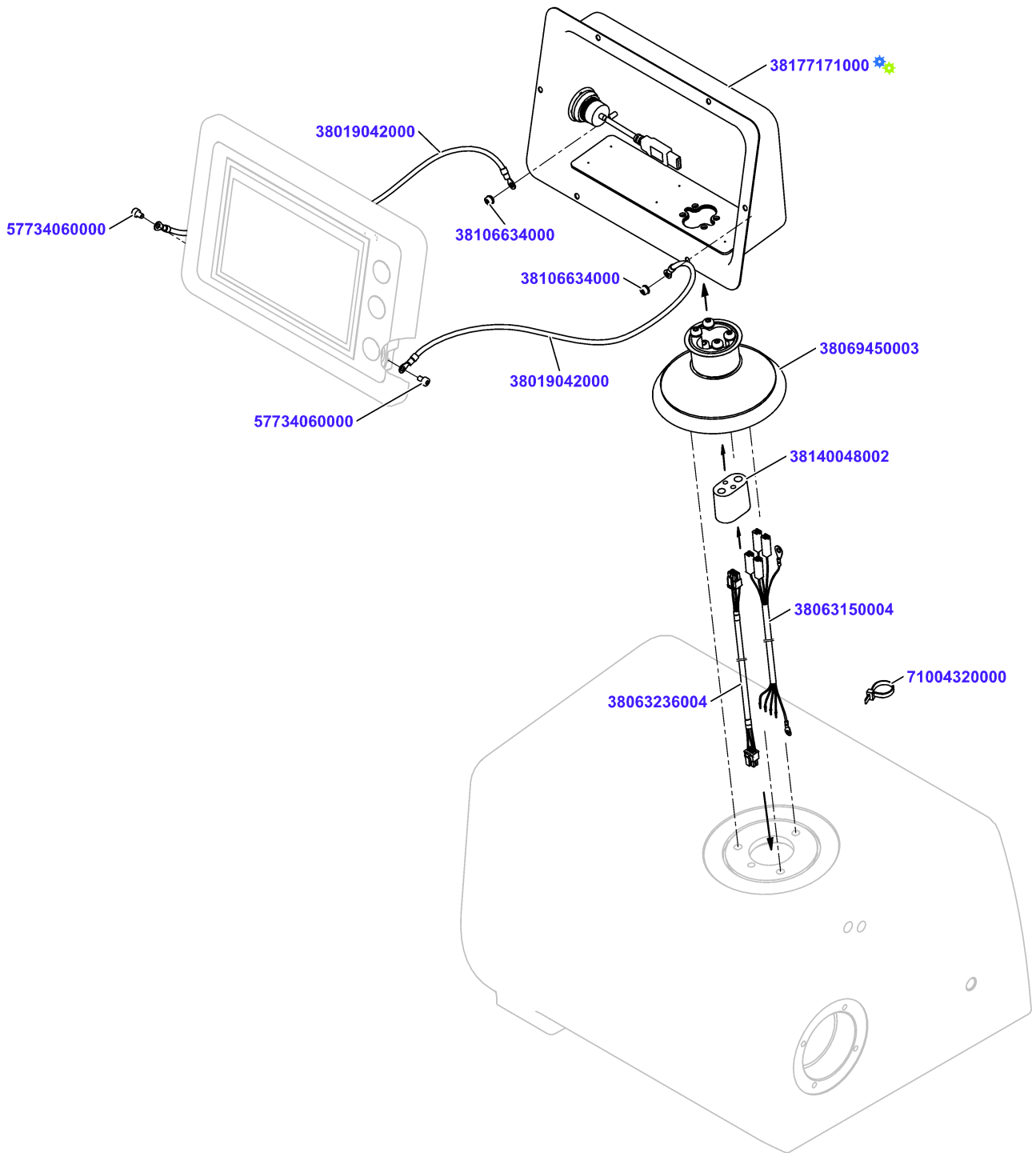
Terminal

Material No.	Qty	Material description
71473870000	1	Patch Cable 2M CAT5E 26AWG










available for order
Wear part
Recomm. sp. part
Metr. relevance



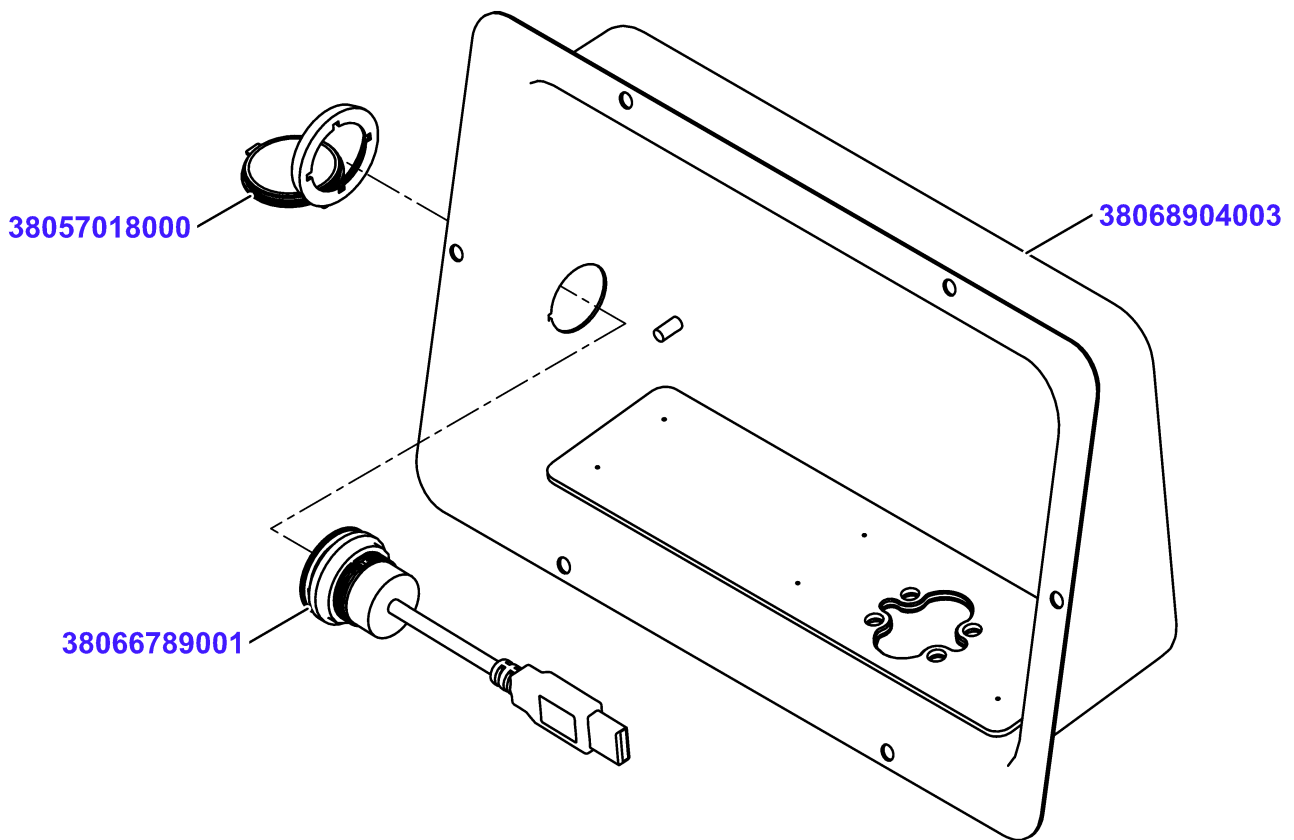
Terminal Mounting Kit top cpl.






Terminal Mounting Kit top cpl.

Material No.	Qty	Material description	available for order	Wear part	Recomm. sp. part	Metr. relevance
38177171000	1	Terminal Mounting Kit top preassy.				
38069450003	1	Mounting Kit top cpl				
57734060000	2	Cylinder screw DIN912 M4x6-8.8				
38106634000	2	Lock nut ISO10511-M4-A4				
38063236004	1	Ka Rd 3x2x0,25 1,35m				
38063150004	1	Ka Rd 5G0,5 1,65m				
71004320000	1	Cable Tie T40R				
38140048002	1	Plug for 18x33				
38019042000	2	Ka Li BK 0,200m				

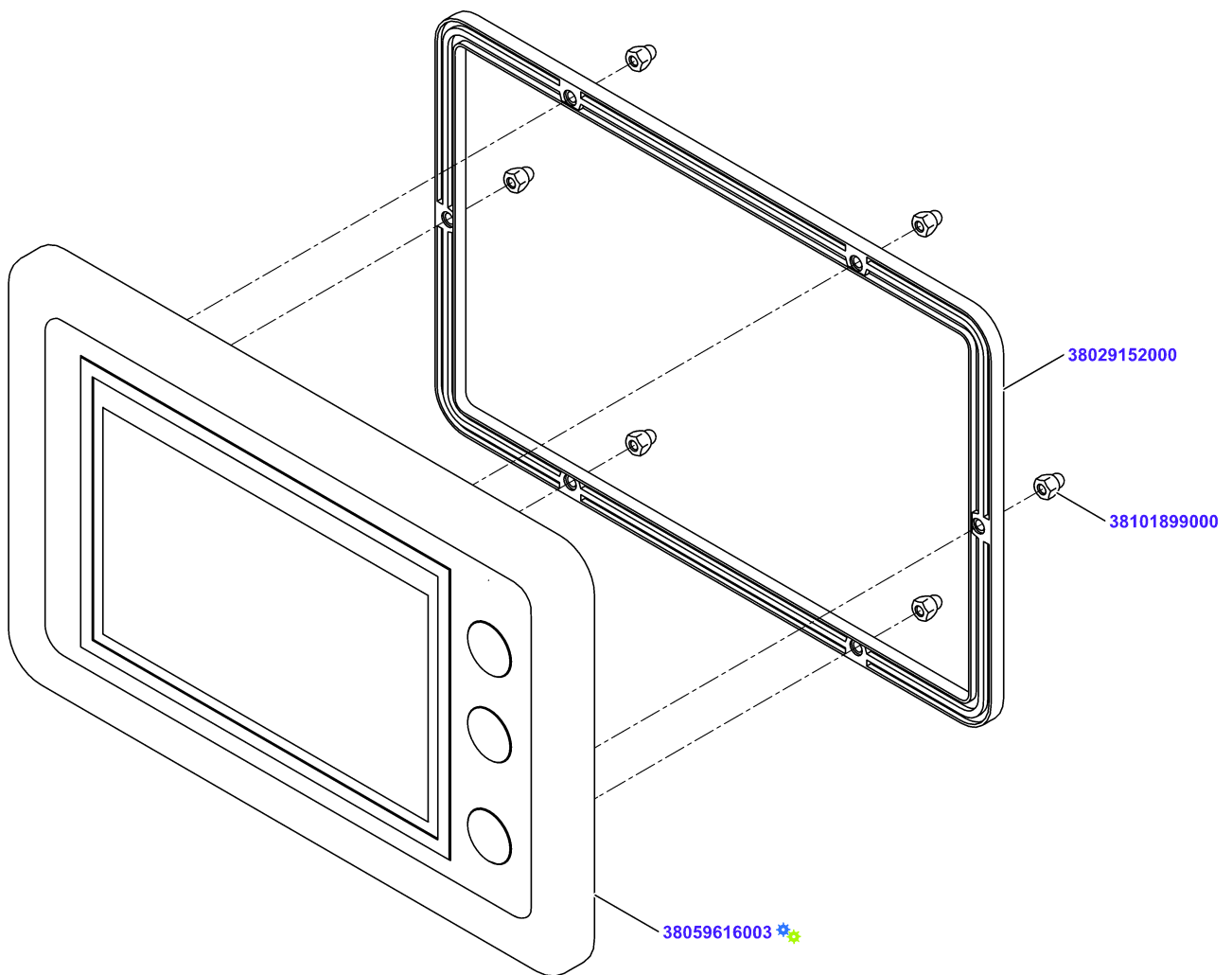
Terminal Mounting Kit top preassy.



Terminal Mounting Kit top preassy.

Material No.	Qty	Material description	available for order	Wear part	Recomm. sp. part	Metr. relevance
38068904003	1	Housing, display 260,4 x 161,3 x 80,3				
38066789001	1	USB-Socket RRJ USB 0.28m				
38057018000	1	Protective cap AK22RRSW				

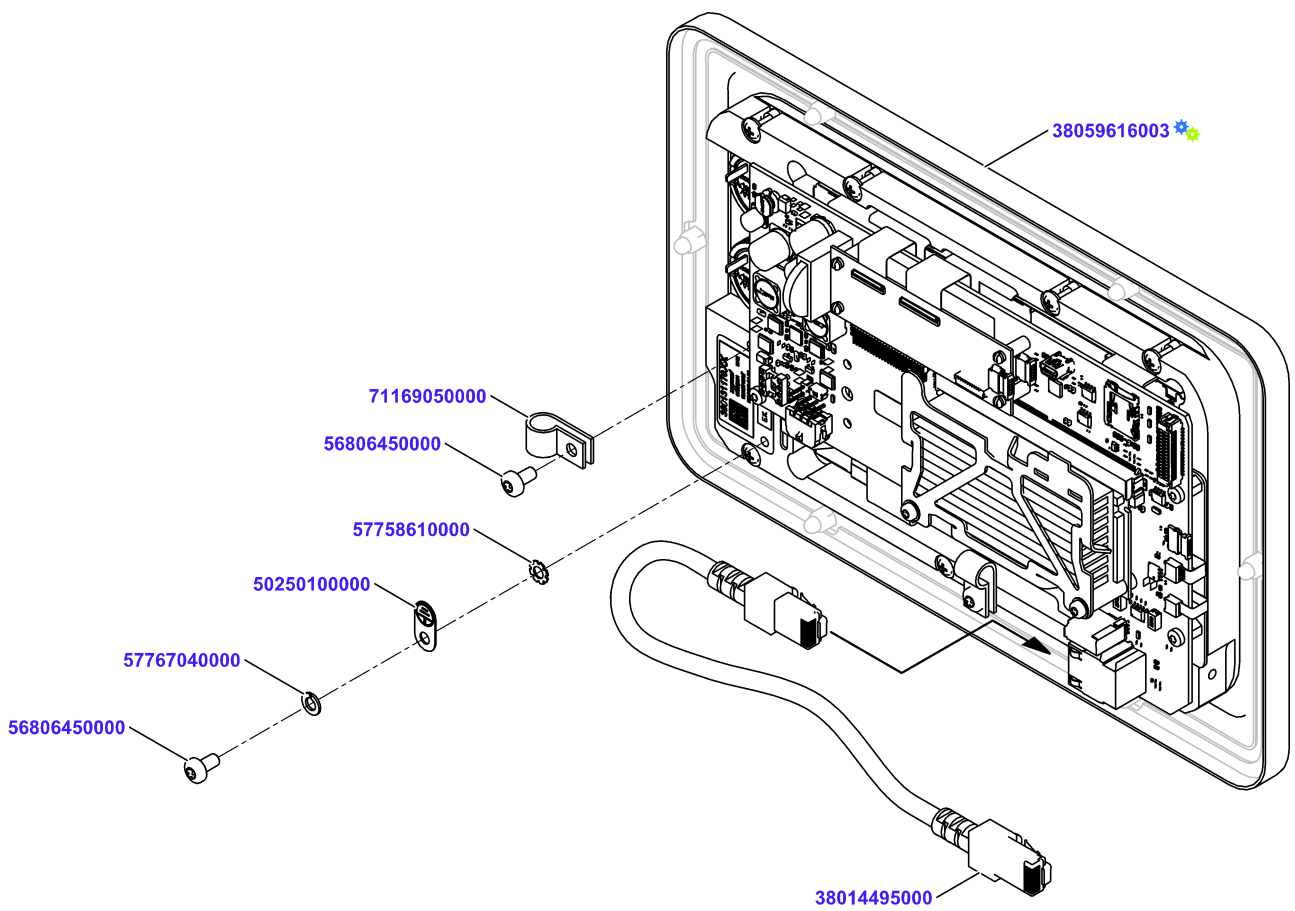
Terminal Front cpl.











Terminal Front cpl.

Material No.	Qty	Material description	available for order	Wear part	Recomm. sp. part	Metr. relevance
38059616003	1	Terminal Front and CPU				
38029152000	1	seal CT501				
38101899000	6	Cap nut DIN986-M4-A2				

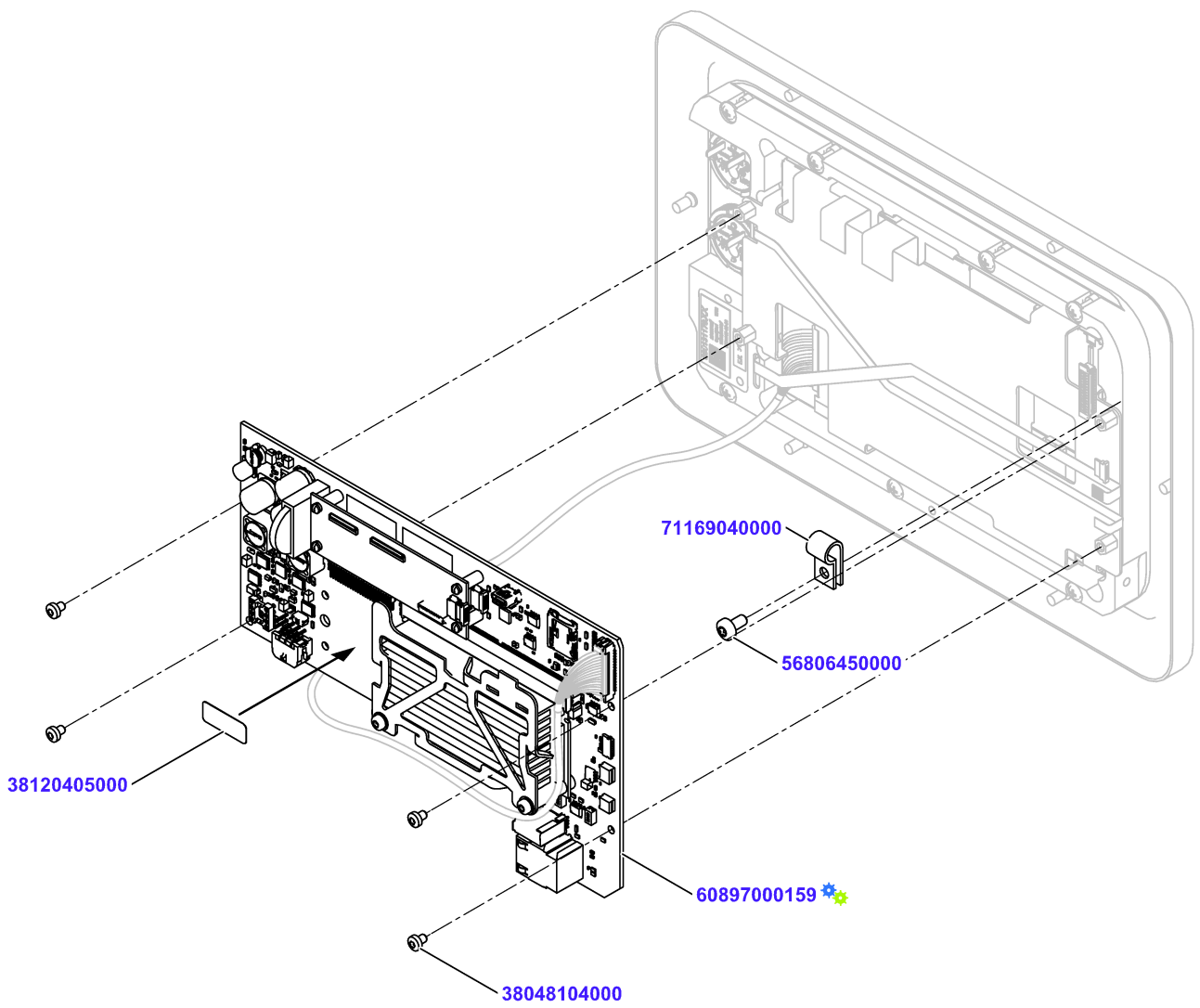
Terminal Front cpl.



Terminal Front cpl.

Material No.	Qty	Material description	available for order	Wear part	Recomm. sp. part	Metr. relevance
38059616003	1	Terminal Front and CPU				
71169050000	1	Cable Clamp nylon 7,4mm NK-5N				
56806450000	1	Oval-head screw ISO14583 M4x8-A2-70-T20				
50250100000	1	Grounding Plate 9x17/4.3 D				
56806450000	1	Oval-head screw ISO14583 M4x8-A2-70-T20				
57767040000	1	Spring lock washer DIN128-A4-FSt				
57758610000	1	Toothed washer DIN6797-A 4,3-Fst				
38014495000	1	Patchcable Cat 5e U-UTP UL 1,5m				

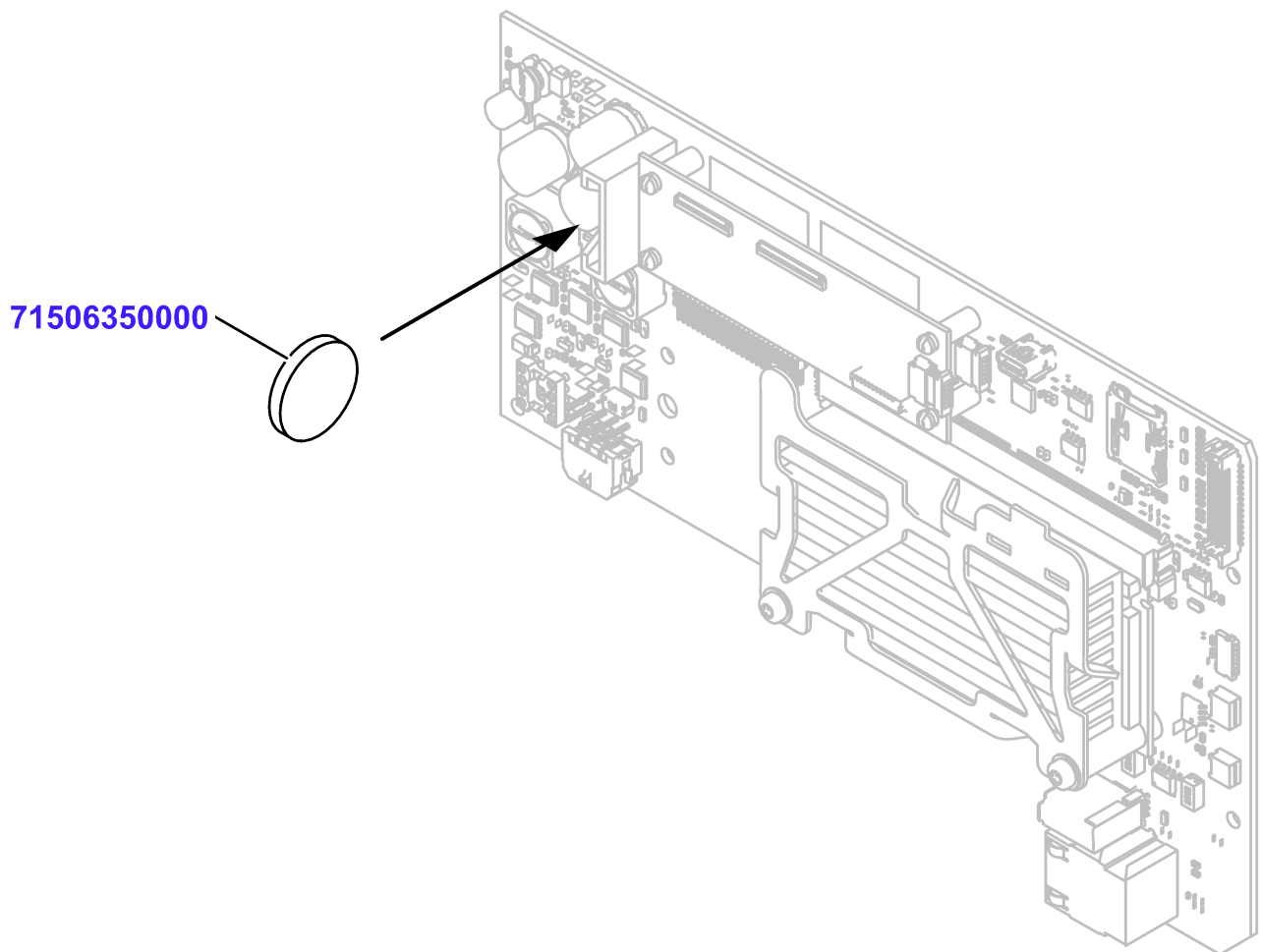
Terminal Front and CPU



Terminal Front and CPU

Material No.	Qty	Material description	available for order	Wear part	Recomm. sp. part	Metr. relevance
60897000159	1	Apalis carrierboard + iMX6 1GB Quad				
38120405000	1	Label Softw. License Win Compact 2013 GE	✓			
38048104000	4	Oval-head screw ISO14583 M3x4-A2-70-T10	✓			
56806450000	1	Oval-head screw ISO14583 M4x8-A2-70-T20	✓			
71169040000	1	Nylon-Clips NK-4N	✓			

Apalis carrierboard + iMX6 1GB Quad

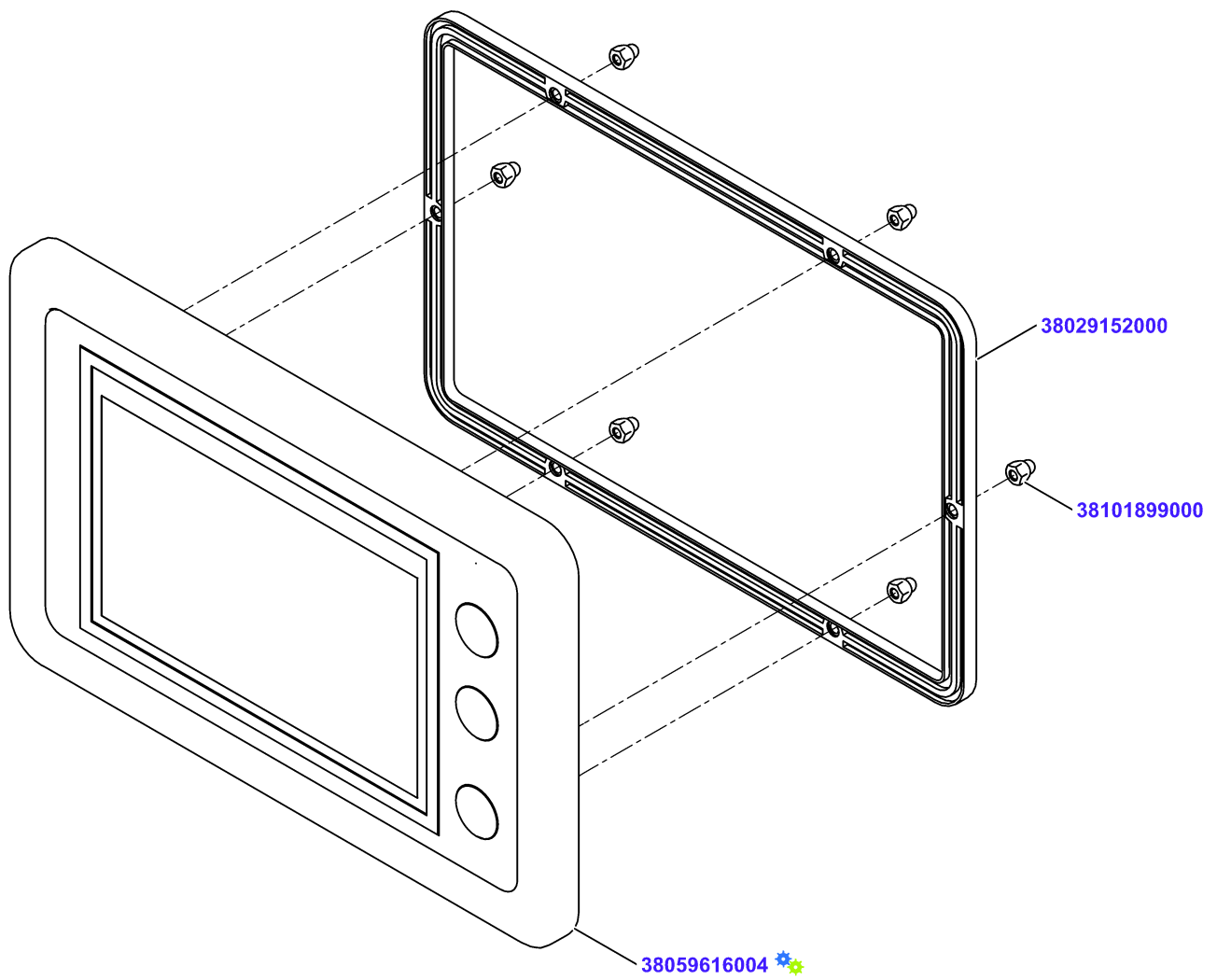


Apalis carrierboard + iMX6 1GB Quad

Material No.	Qty	Material description
71506350000	1	Battery Lithium Cell CR2032 UL

available for order
Wear part
Recomm. sp. part
Metr. relevance

Terminal Front cpl. VSI

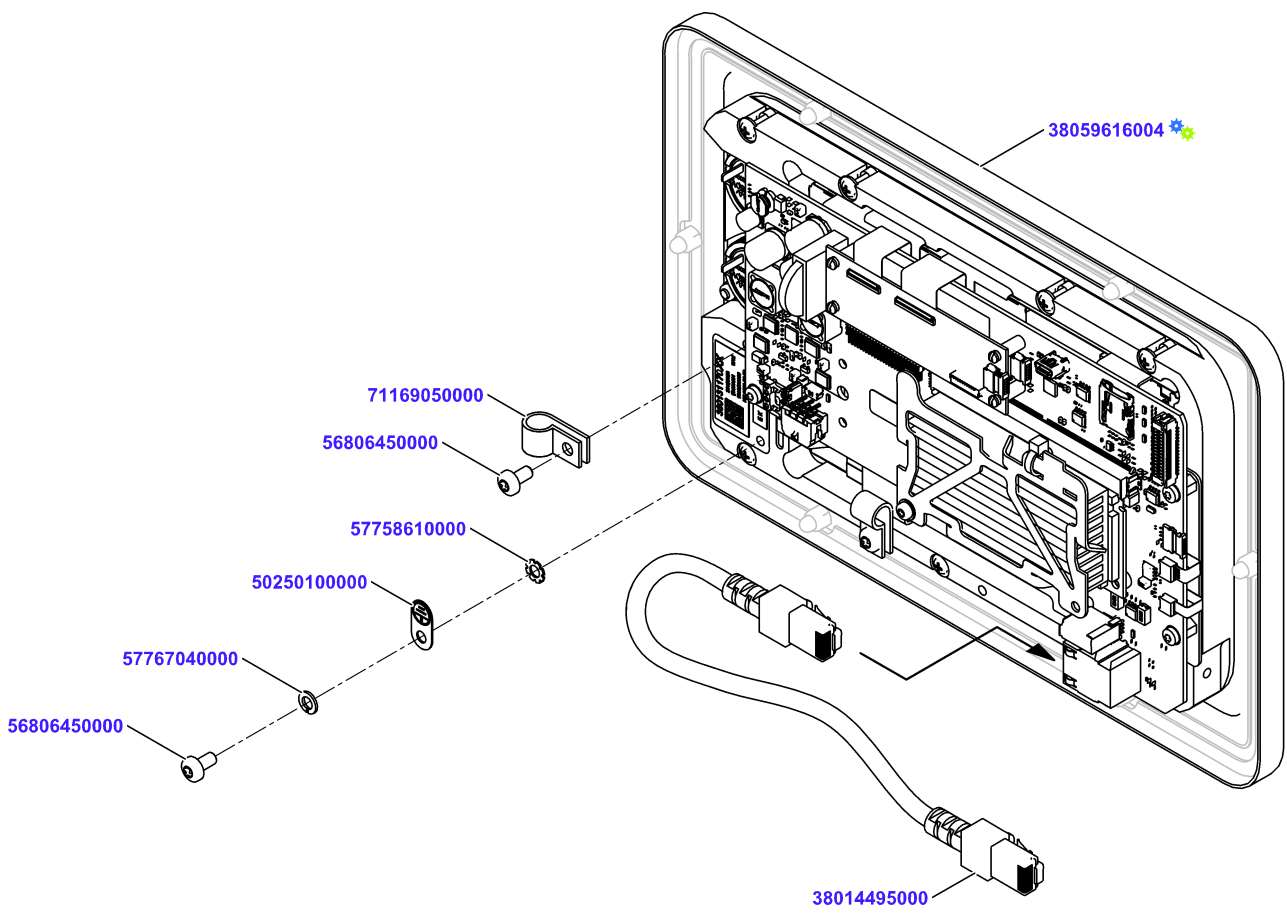


Terminal Front cpl. VSI

Material No.	Qty	Material description
38059616004	1	Terminal Front and CPU VSI

available for order
Wear part
Recomm. sp. part
Metr. relevance

Terminal Front cpl. VSI

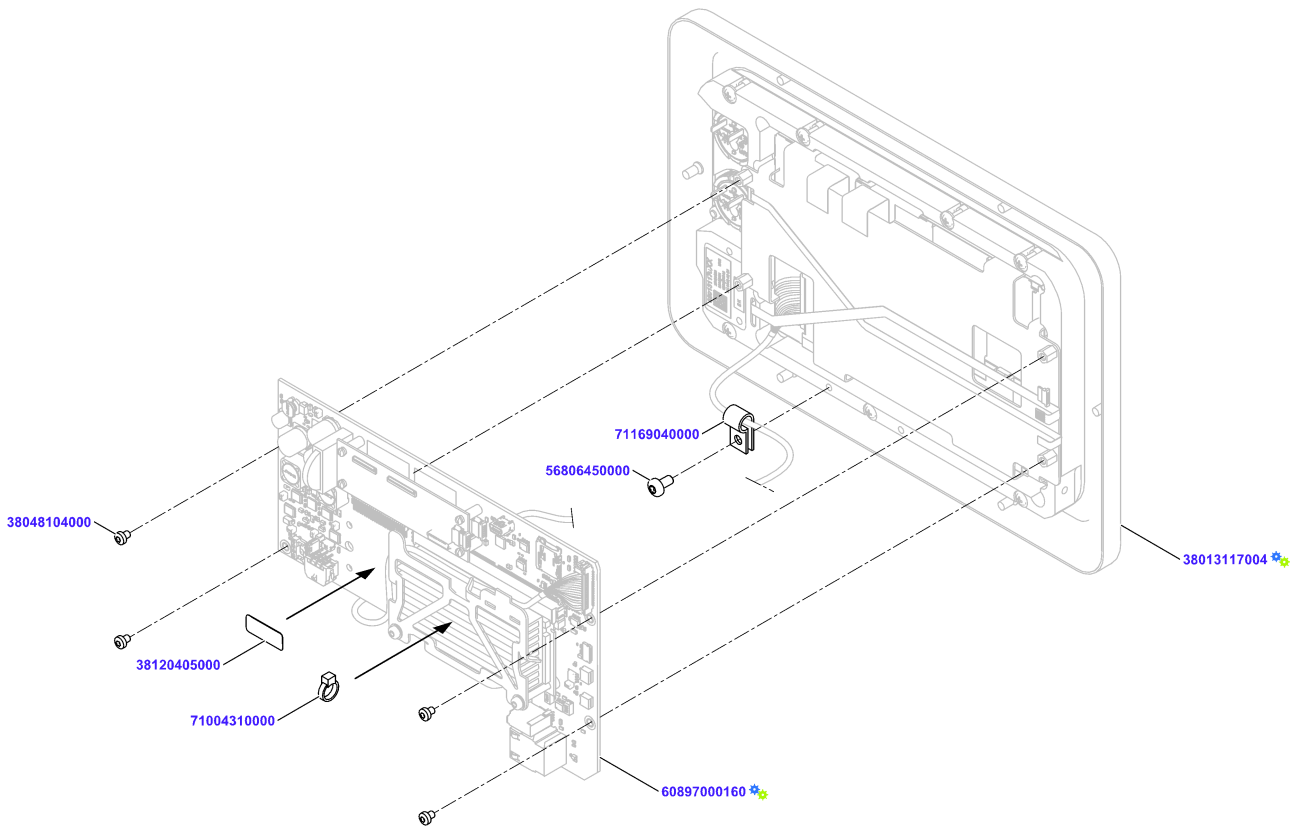


Terminal Front cpl. VSI

Material No.	Qty	Material description
38059616004	1	Terminal Front and CPU VSI

available for order
Wear part
Recomm. sp. part
Metr. relevance

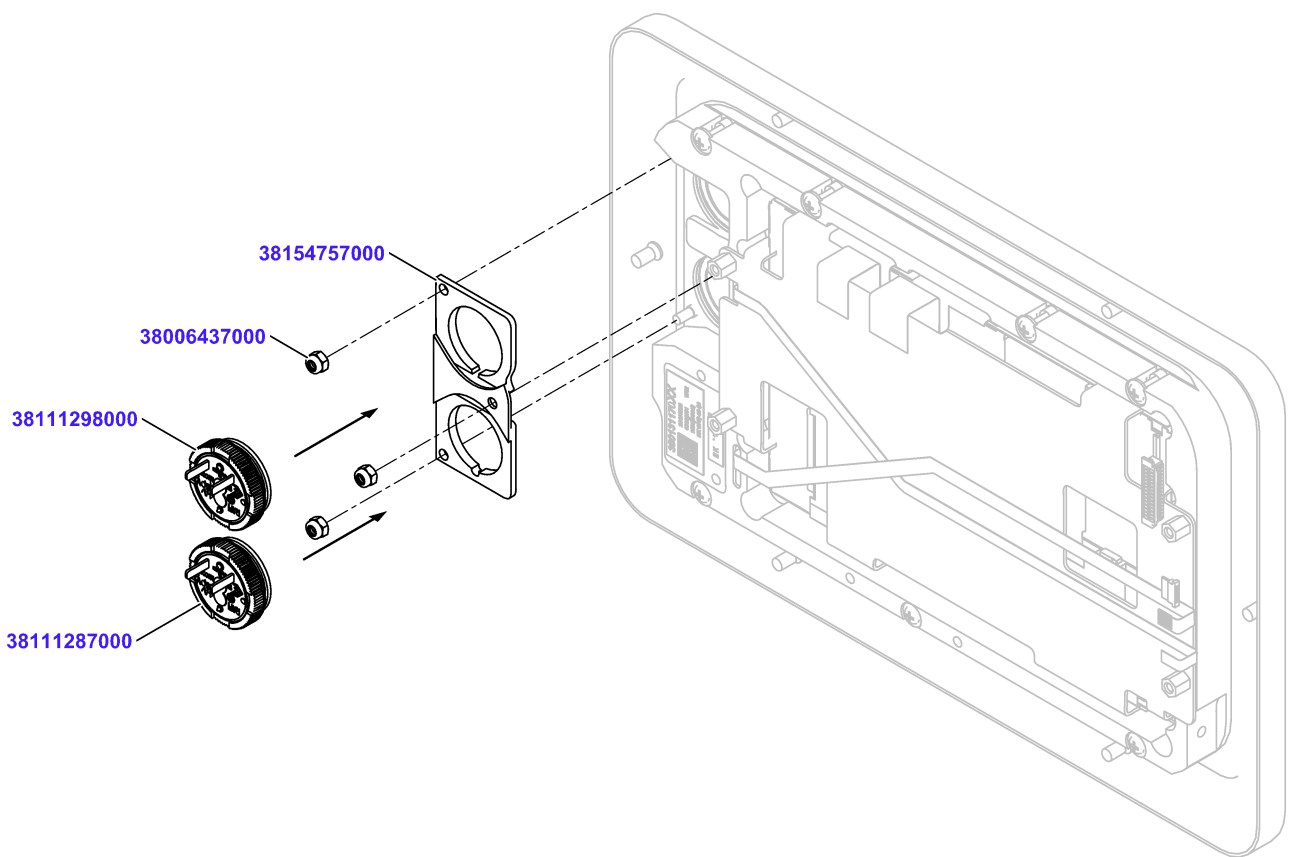
Terminal Front and CPU VSI







Terminal Front and CPU VSI

Material No.	Qty	Material description	available for order	Wear part	Recomm. sp. part	Metr. relevance
38013117004	1	Terminal Front preassembled VSI				
60897000160	1	Apalis carrierboard + iMX6 1GB Quad				
38120405000	1	Label Softw. License Win Compact 2013 GE	✓			
38048104000	4	Oval-head screw ISO14583 M3x4-A2-70-T10	✓			
71004310000	1	Cabel Tie T18R	✓			
71169040000	1	Nylon-Clips NK-4N	✓			
56806450000	1	Oval-head screw ISO14583 M4x8-A2-70-T20	✓			

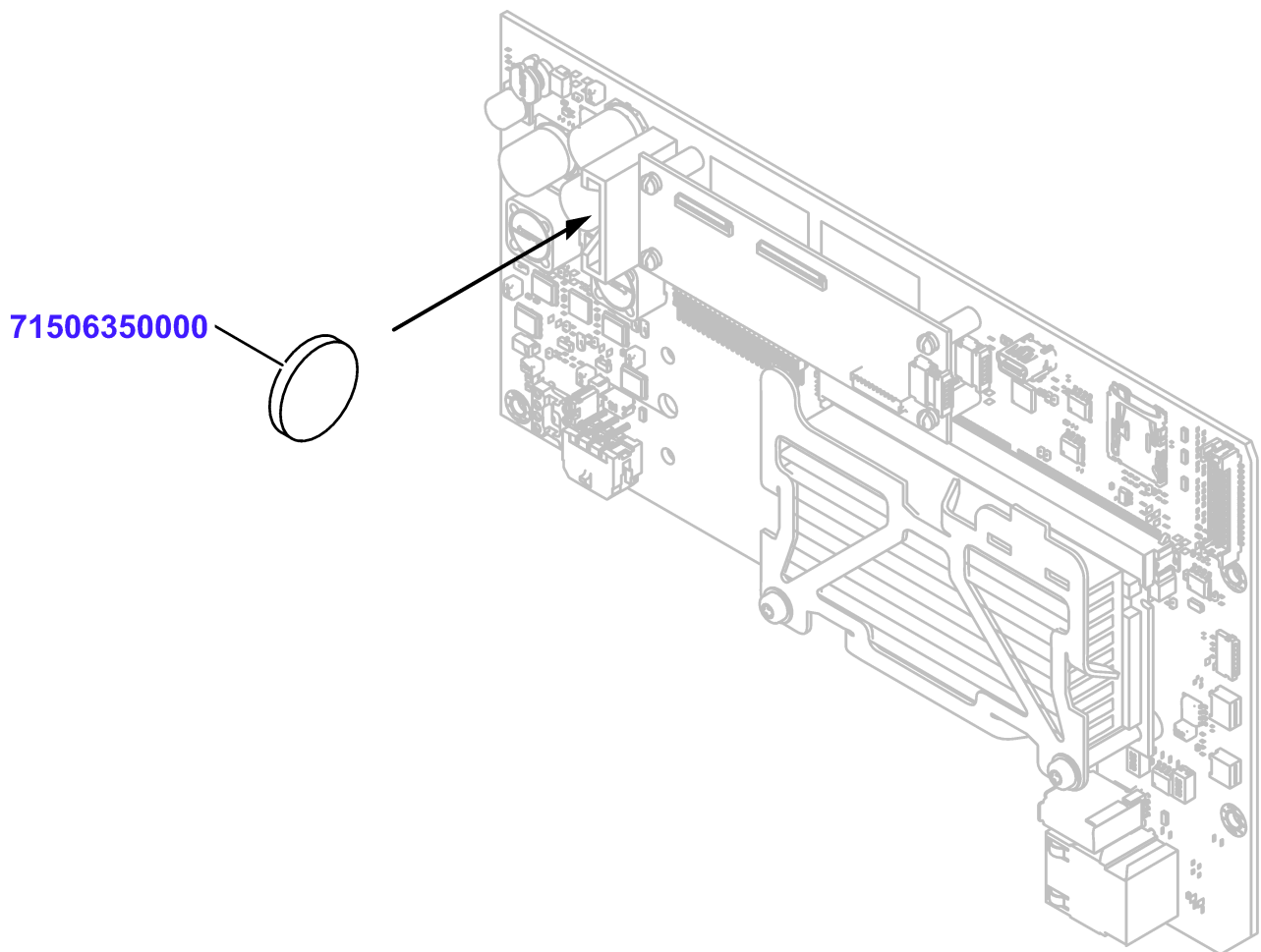
Terminal Front preassembled VSI



Terminal Front preassembled VSI




Material No.	Qty	Material description	available for order	Wear part	Recomm. sp. part	Metr. relevance
38111287000	1	Push button "Off"				
38111298000	1	Push button "On"				
38006437000	3	Lock nut DIN985-M3-A2				
38154757000	1	Pad HT 4344-101-00				

Apalis carrierboard + iMX6 1GB Quad

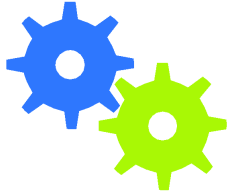


Apalis carrierboard + iMX6 1GB Quad

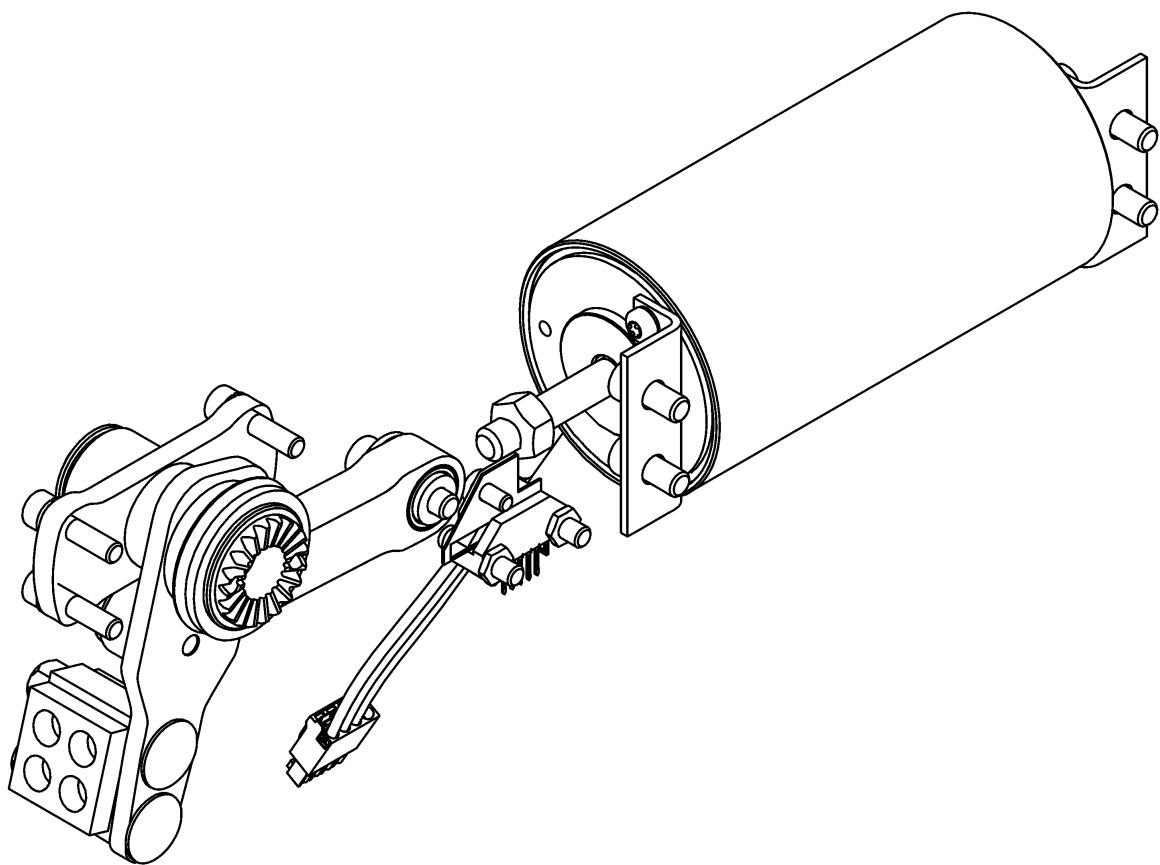
Material No.	Qty	Material description
71506350000	1	Battery Lithium Cell CR2032 UL

available for order	Wear part	Recomm. sp. part	Metr. relevance
			

Drive depositing arm



38064681005



as from 11697371

Drive depositing arm

Material No. **Qty** **Material description**

[38064681005](#) 1 Depositing Drive cpl

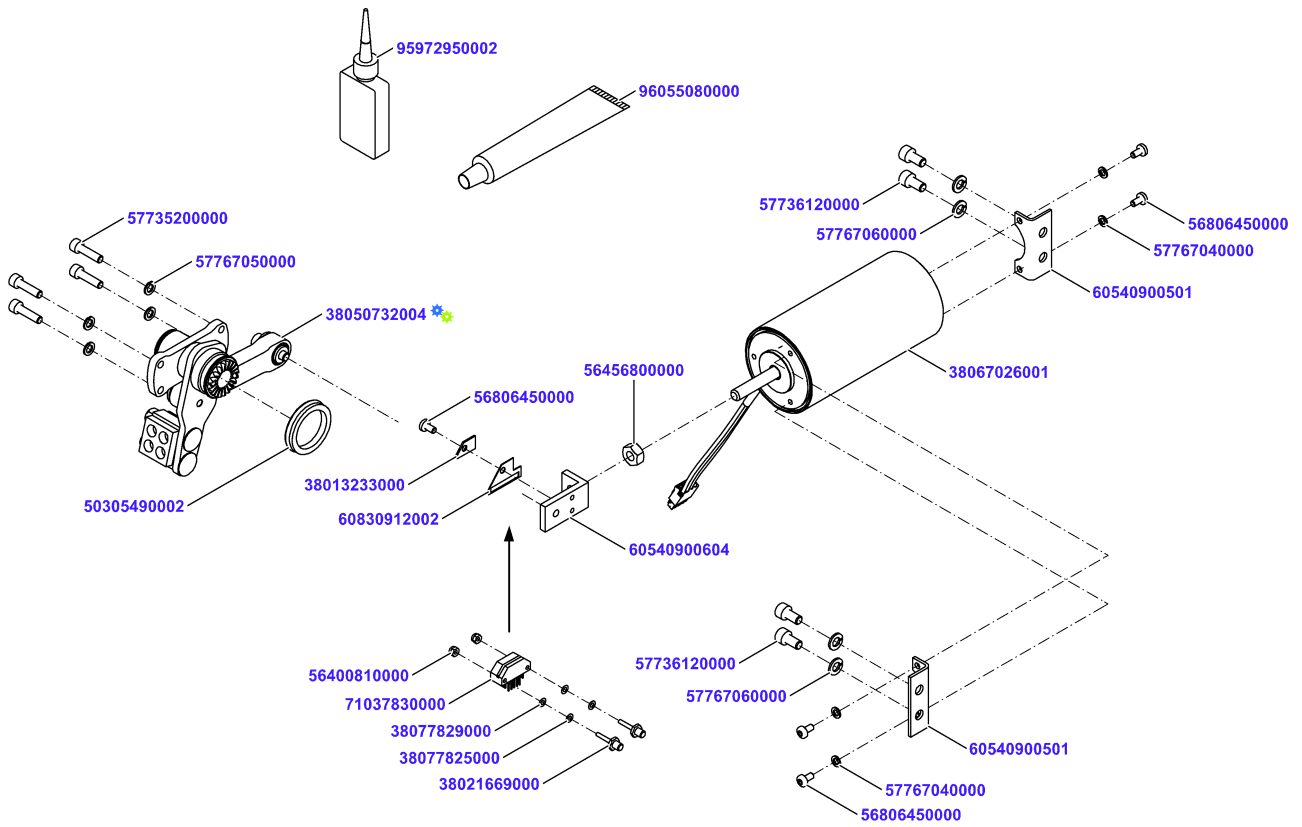
available for order

Wear part

Recomm. sp. part

Metr. relevance

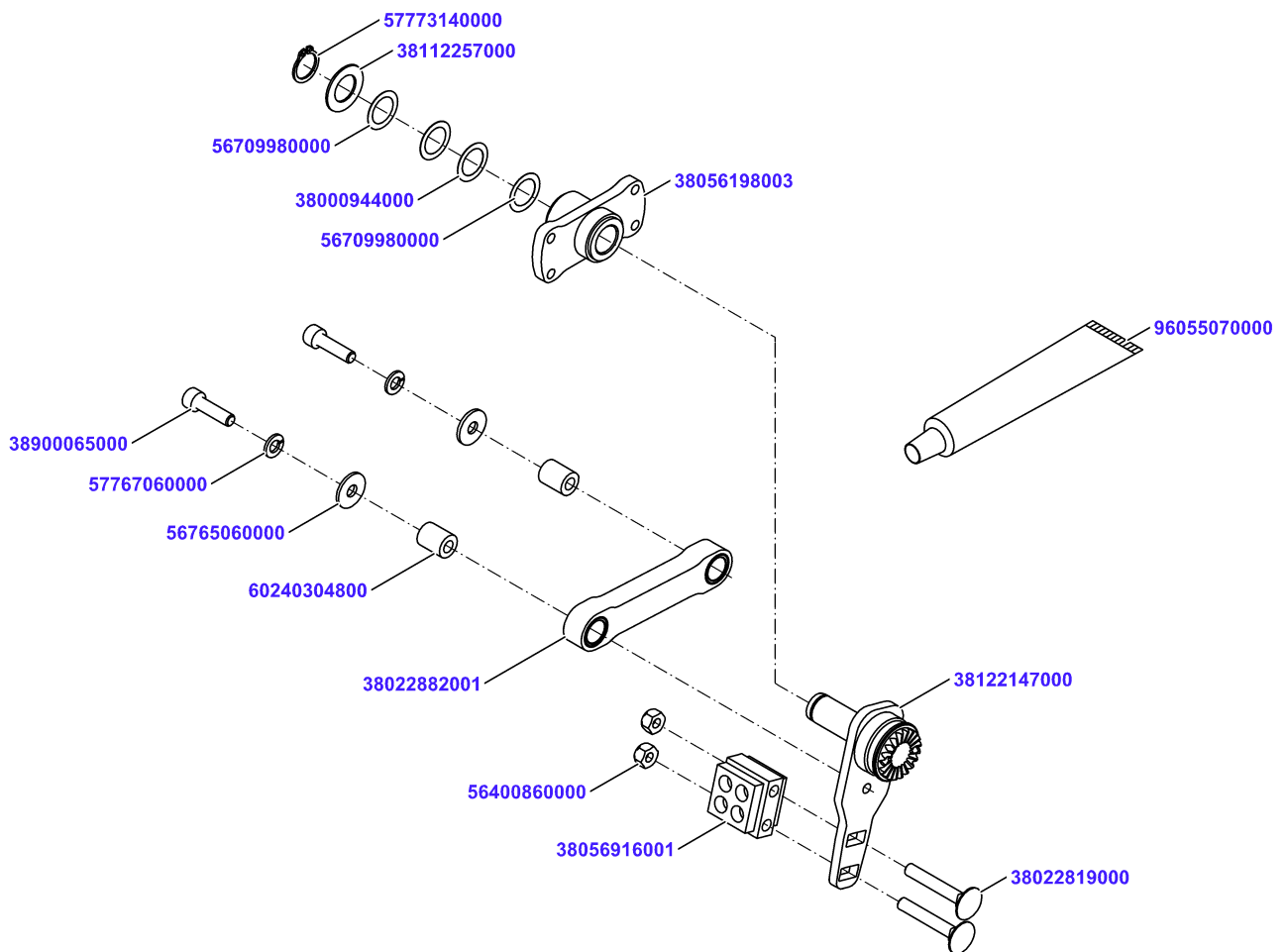
Depositing Drive cpl



Depositing Drive cpl

Material No.	Qty	Material description	available for order	Wear part	Recomm. sp. part	Metr. relevance
38067026001	1	Depositing Magnet	✓			
60540900501	2	holding bracket	✓			
56806450000	4	Oval-head screw ISO14583 M4x8-A2-70-T20	✓			
57767040000	4	Spring lock washer DIN128-A4-FSt	✓			
57736120000	4	Cylinder screw DIN912 M6x12-8.8	✓			
57767060000	4	Spring lock washer DIN128-A6-FSt	✓			
56456800000	1	Hexagon nut DIN934-M8-A2	✓			
60540900604	1	Angle	✓			
38050732004	1	Depositing Arm Lever cpl.	✓			
57735200000	4	Cylinder screw DIN912 M5x20-8.8	✓			
57767050000	4	Spring lock washer DIN128-A5-FSt	✓			
71037830000	1	Linear Increment Encoder HEDS 9200-300	✓		✓	
38021669000	2	Threaded flange bolt	✓			
95972950002	0,001	Loctite 243 50 ml	✓			
56400810000	2	Lock nut DIN985-M2,5-St	✓			
38077829000	2	Shim ring DIN988-3x6x0,1	✓			
38077825000	2	Shim ring DIN988-3x6x0,2	✓			
60830912002	1	Codestrip 4x26	✓		✓	
56806450000	1	Oval-head screw ISO14583 M4x8-A2-70-T20	✓			
38013233000	1	Support	✓			
50305490002	1	V-Sealing Ring 25x33x7,5 coated	✓			
96055080000	0,001	Kluebersynth UH1 64-62/25kg	✓			

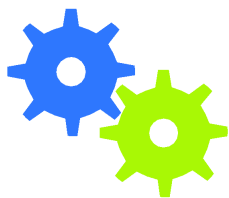
Depositing Arm Lever cpl.



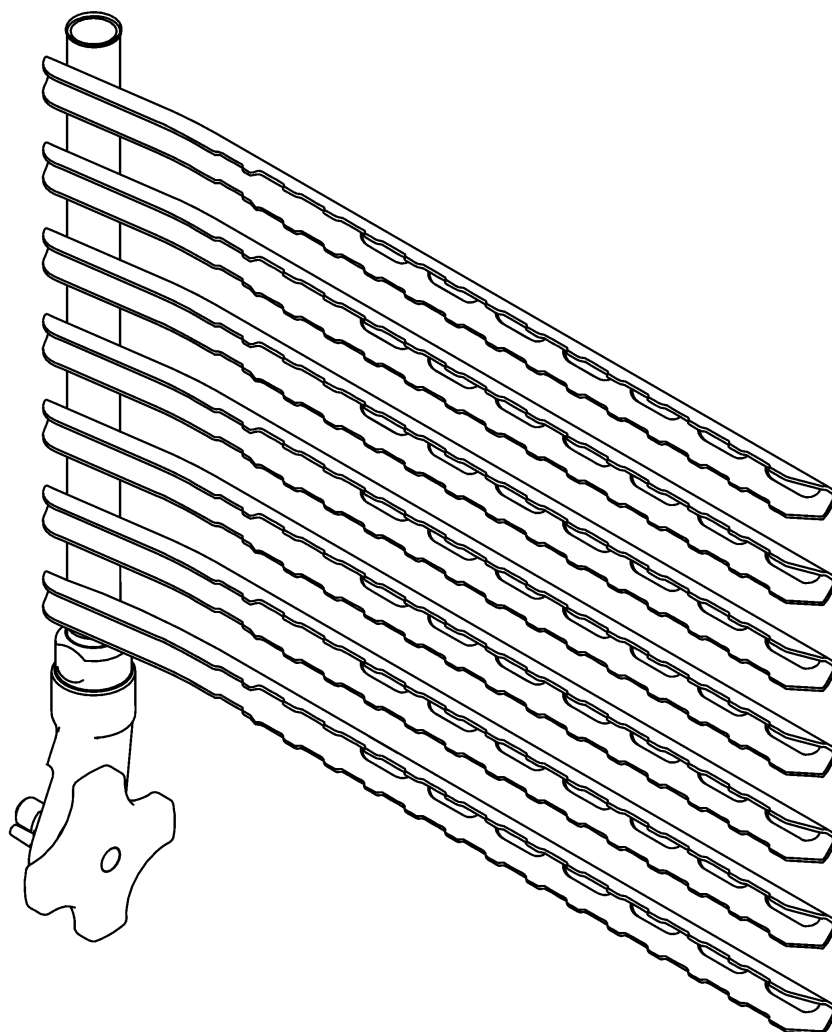
Depositing Arm Lever cpl.

Material No.	Qty	Material description	available for order	Wear part	Recomm. sp. part	Metr. relevance
38122147000	1	Depositing Arm Lever soldered	✓			
38056198003	1	Bearing Bushing preass	✓	✓	✓	
96055070000	0,001	Grease PARALIQ GA 343	✓			
57773140000	1	Retaining ring DIN471-14x1	✓			
56709980000	2	Shim ring DIN988-14x20x0,1	✓			
38000944000	2	Shim ring DIN988-14x20x0,15	✓			
38112257000	1	Washer 14.15x24x1	✓			
38056916001	1	stop cpl	✓	✓	✓	
38022819000	2	Mushroom head bolt DIN603 M6x40-A2-70	✓			
56400860000	2	Lock nut DIN985-M6-A2	✓			
38022882001	1	Connecting Rod preass	✓	✓	✓	
60240304800	2	Bushing 6,2 x 12f7 x 15	✓	✓	✓	
38900065000	2	Cylinder screw DIN912 M6x22-A2-70	✓			
57767060000	2	Spring lock washer DIN128-A6-FSt	✓			
56765060000	2	Washer DIN9021-6-A2	✓			

Depositing arm



38056697005



as from 11697371

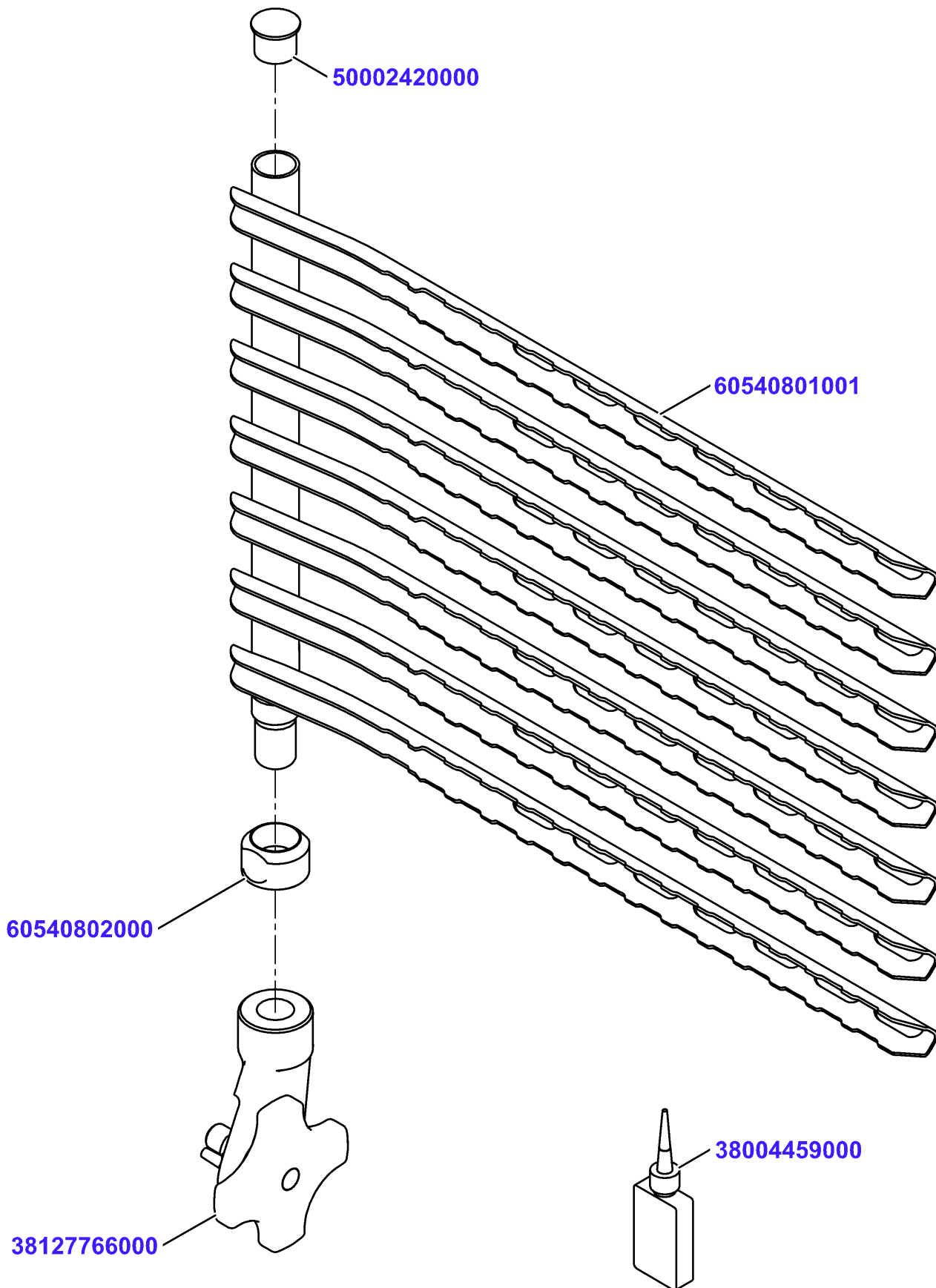
Depositing arm

Material No. **Qty** **Material description**

[38056697005](#) 1 Depositing arm cpl

available for order
Wear part
Recomm. sp. part
Metr. relevance

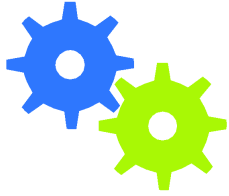
Depositing arm cpl



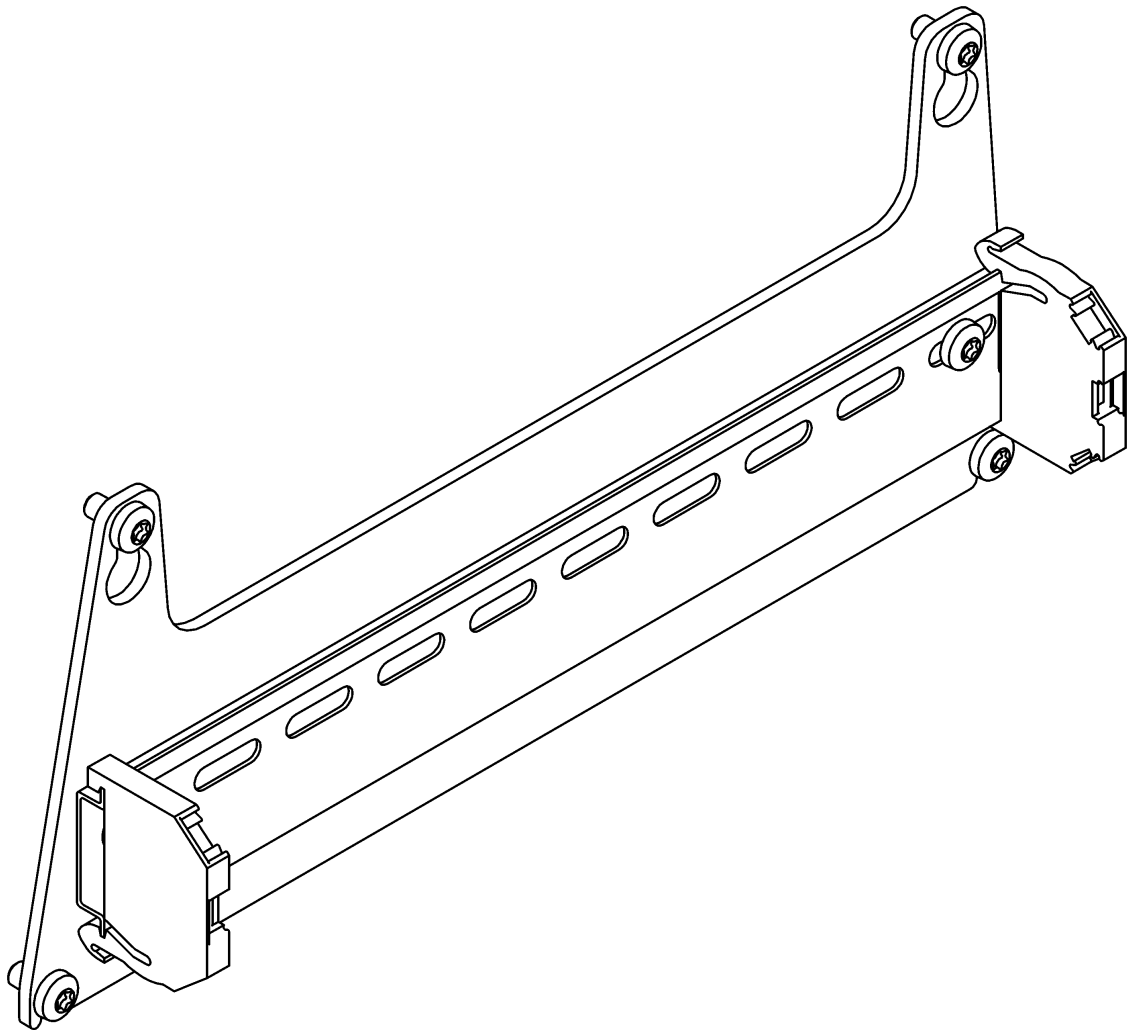
Depositing arm cpl

Material No.	Qty	Material description	available for order	Wear part	Recomm. sp. part	Metr. relevance
38127766000	1	Depositing Angle cpl.				
60540801001	1	depositing arm standard welded				
50002420000	1	Protective plug 14,5x12,4x9,5-PE				
60540802000	1	locknut				
38004459000	0,001	Loctite 648				

Electronics



38008889001



Electronics

Material No. **Qty** **Material description**

[38008889001](#) 1 Mounting Plate cpl

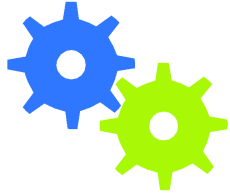
available for order

Wear part

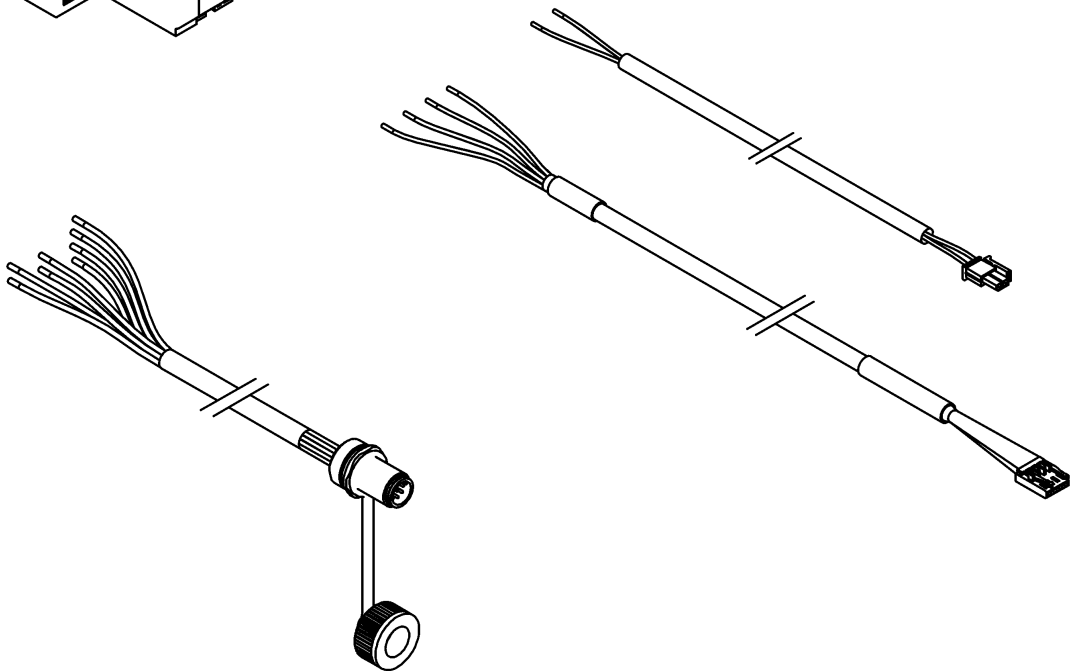
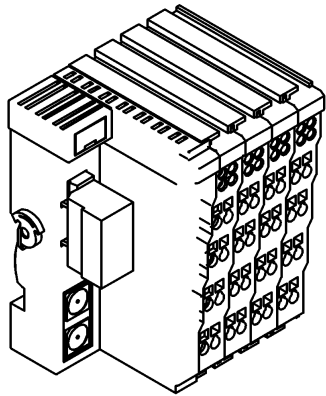
Recomm. sp. part

Metr. relevance

Electronics



38079967000



Electronics

Material No. **Qty** **Material description**

[38079967000](#) 1 Option I/O-Module

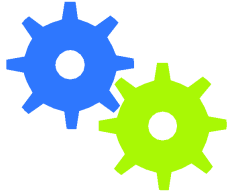
available for order

Wear part

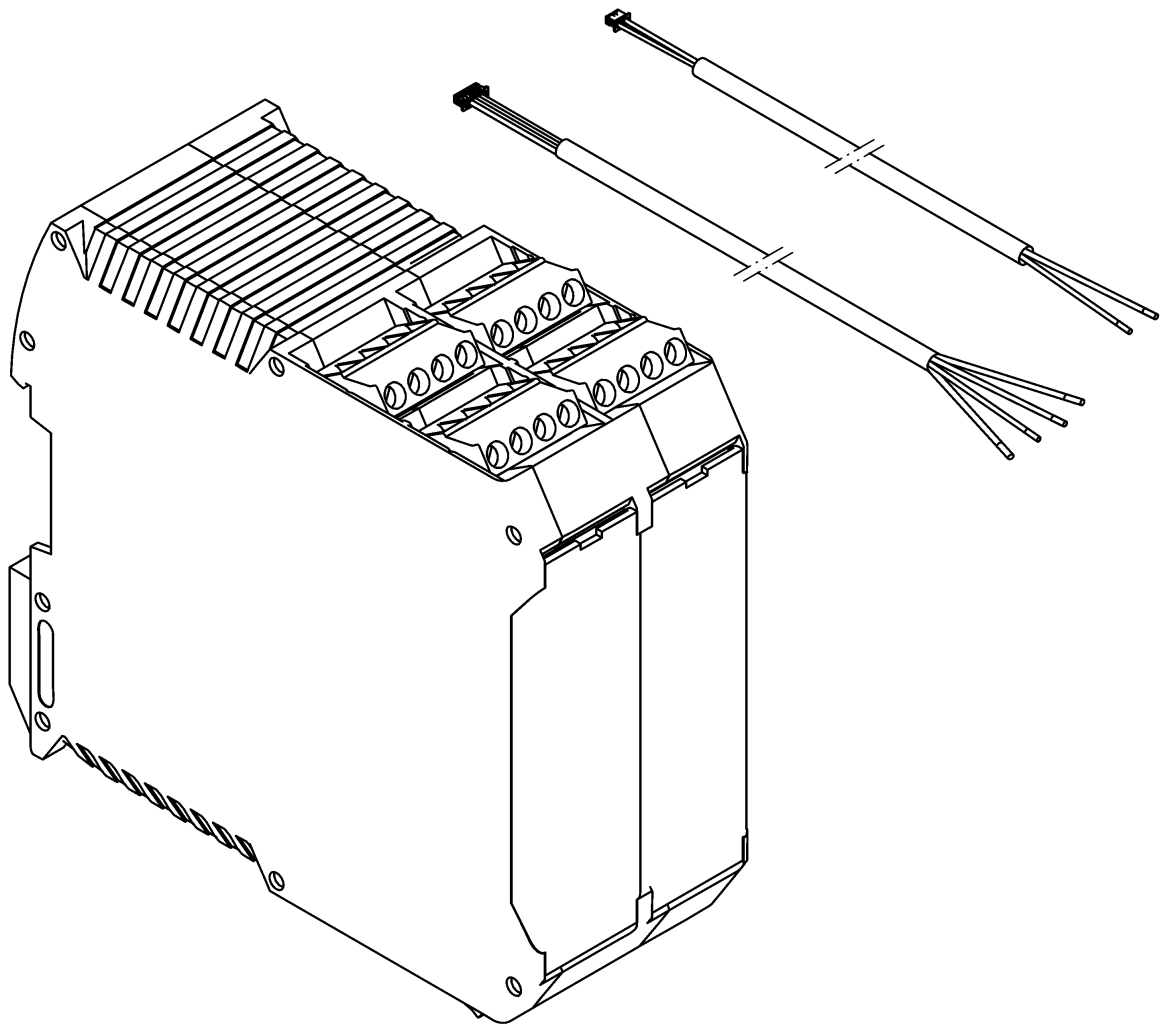
Recomm. sp. part

Metr. relevance

Electronics



38084720001

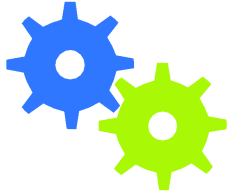


Electronics

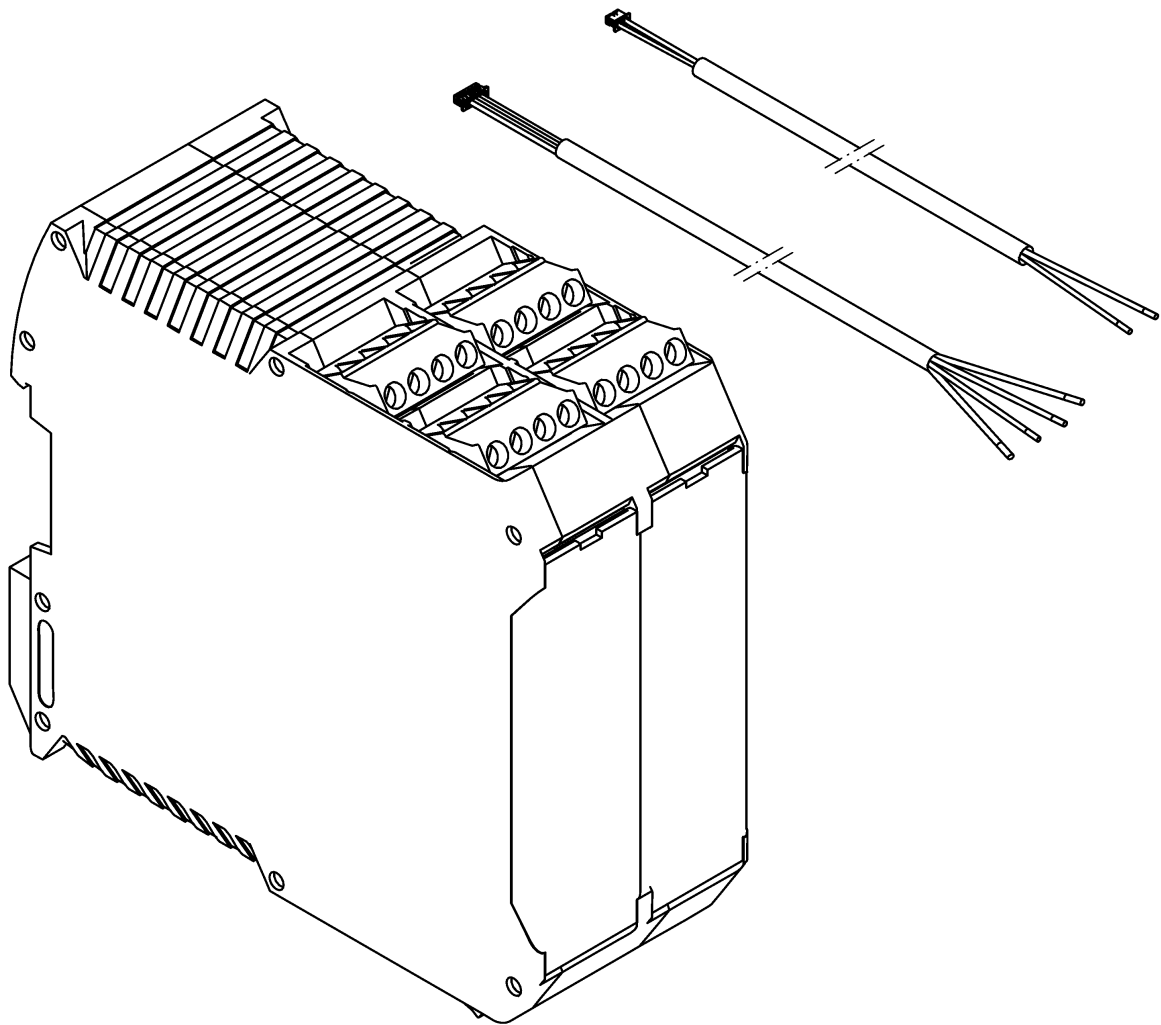
available for order
Wear part
Recomm. sp. part
Metr. relevance

Material No.	Qty	Material description
38084720001	1	Option Scale Terminal top cpl

Electronics



38084720002



Electronics

Material No.	Qty	Material description
38084720002	1	Option Scale Terminal top cpl

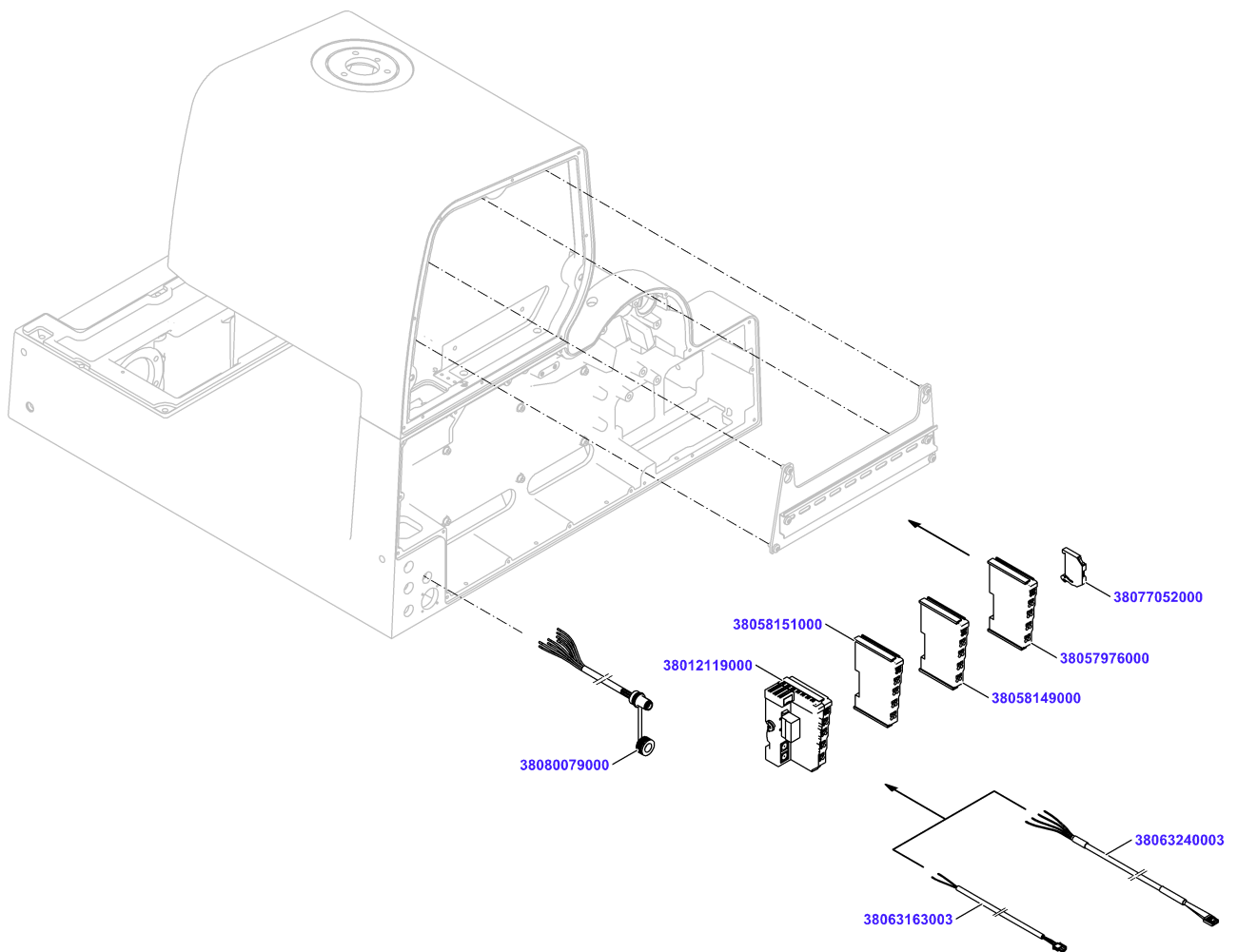
available for order

Wear part

Recomm. sp. part

Metr. relevance

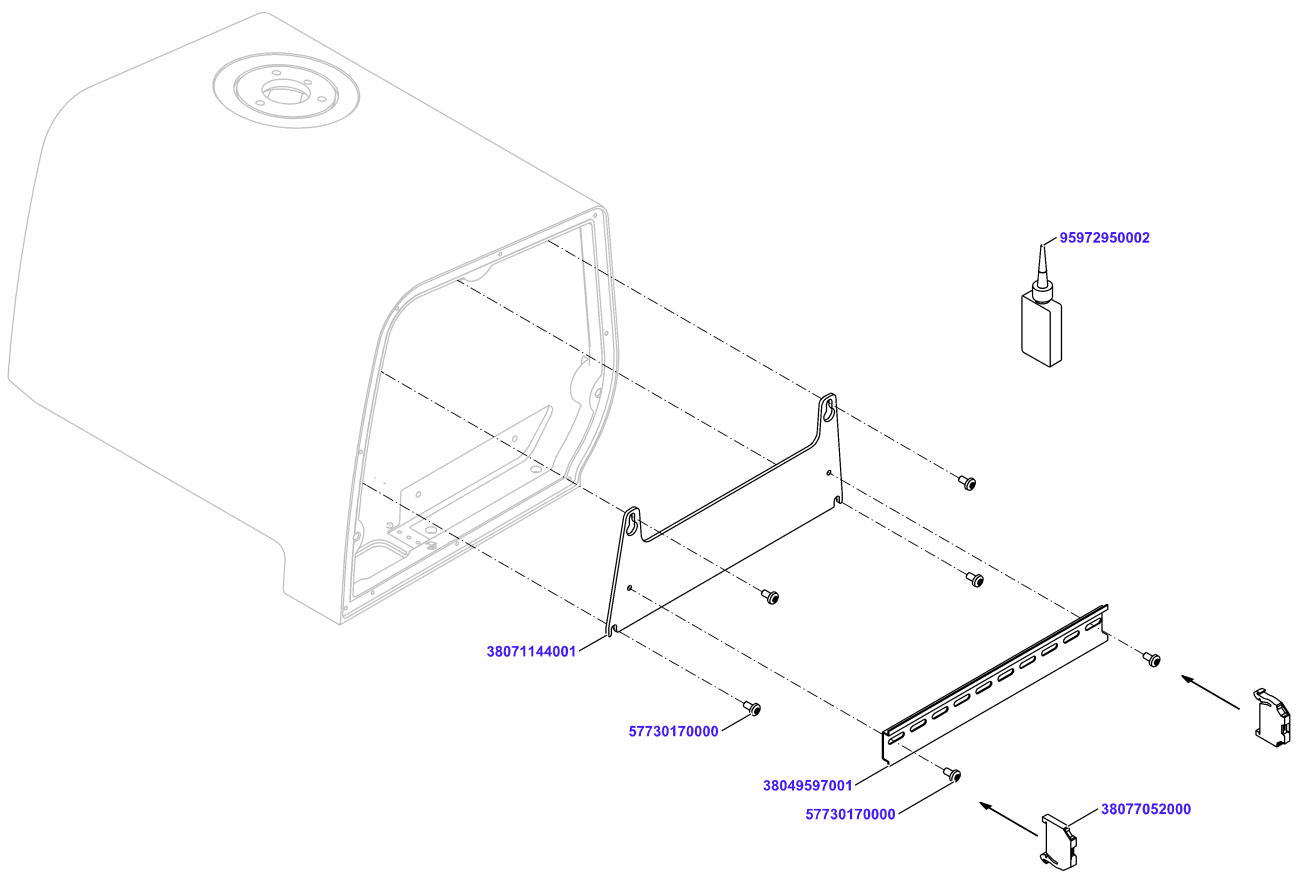
Option I/O-Module



Option I/O-Module

Material No.	Qty	Material description	available for order	Wear part	Recomm. sp. part	Metr. relevance
38012119000	1	CANopen-Compact-Bus-Coupler BK5150	✓		✓	
38058151000	1	2-Channel Digital Input Terminals 24VDC	✓		✓	
38058149000	1	2-Channel Digital Output Terminal 24VDC	✓		✓	
38057976000	1	K-Bus Termination Fitting KL9010	✓		✓	
38077052000	1	Screwless End Clamp	✓			
38063240003	1	Ka Rd 2x2x24AWG 0,15m	✓			
38063163003	1	Ka Rd 4x0,14 1,30m	✓			
38080079000	1	I/O M12 Connector	✓			

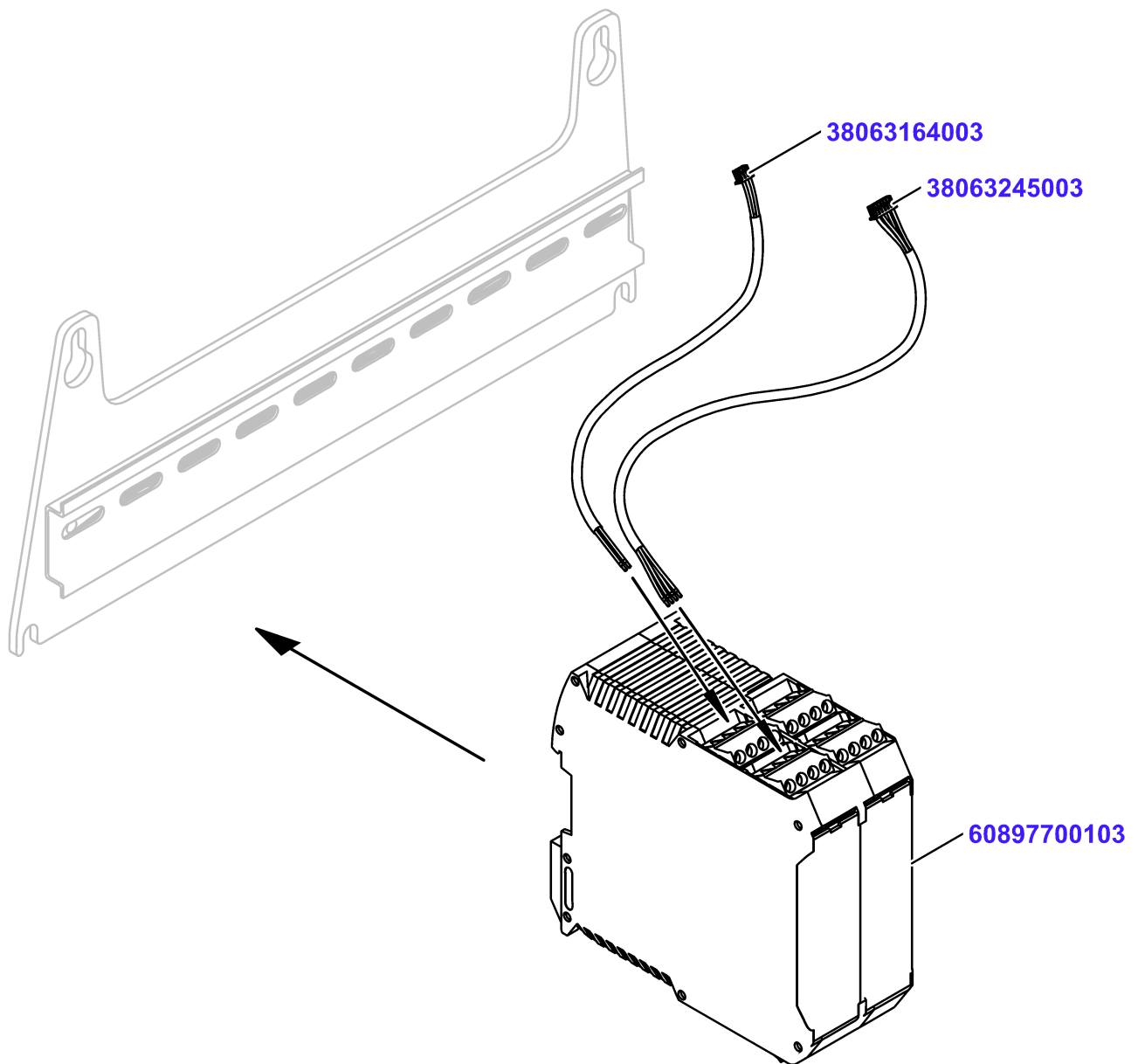
Mounting Plate cpl




Mounting Plate cpl

Material No.	Qty	Material description	available for order	Wear part	Recomm. sp. part	Metr. relevance
38071144001	1	Mounting Plate				
38049597001	1	Top Hat Rail L250				
57730170000	2	Oval-head screw ISO14583 M5x10-A2-70-T25				
95972950002	0,001	Loctite 243 50 ml				
38077052000	2	Screwless End Clamp				
57730170000	4	Oval-head screw ISO14583 M5x10-A2-70-T25				

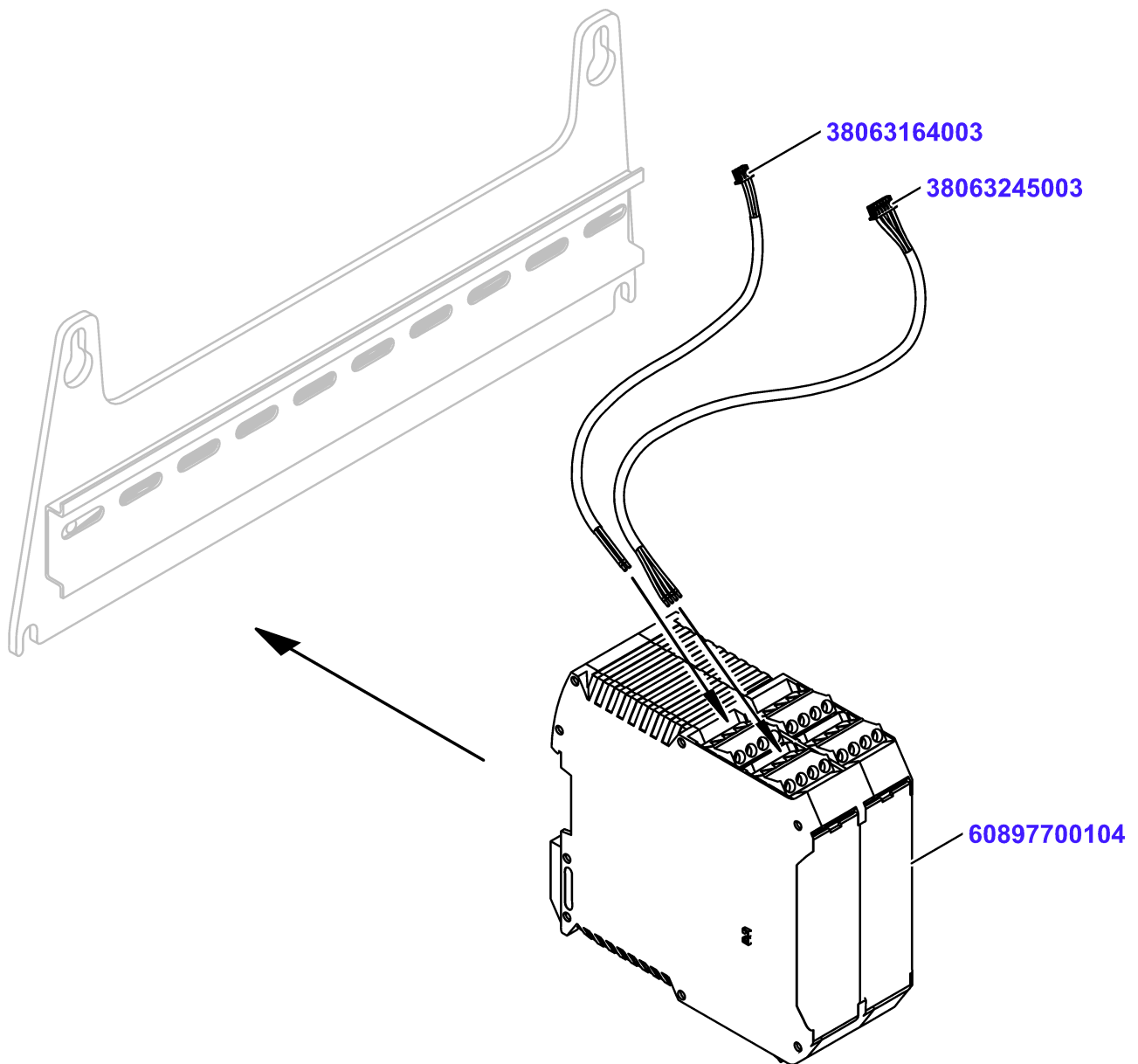
Option Scale Terminal top cpl



Option Scale Terminal top cpl

Material No.	Qty	Material description	available for order	Wear part	Recomm. sp. part	Metr. relevance
60897700103	1	Weighing module Food				
38063164003	1	Ka Rd 4x0,14 1,15m				
38063245003	1	Ka Rd 4x0,14qmm 0,70m				

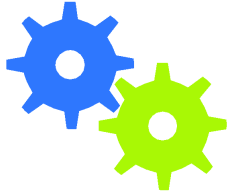
Option Scale Terminal top cpl



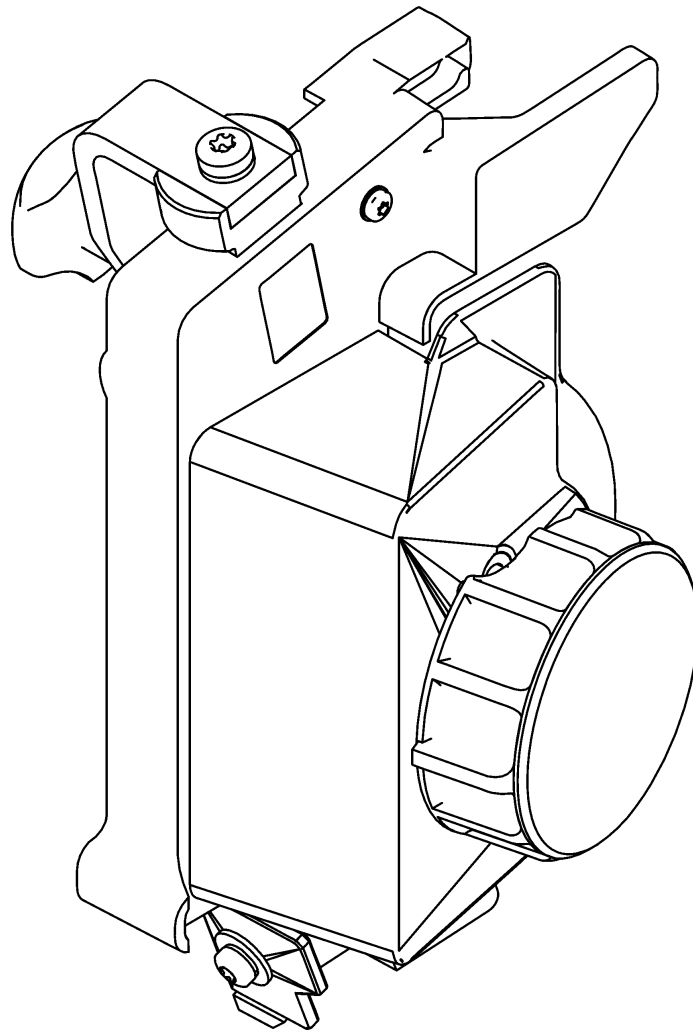
Option Scale Terminal top cpl

Material No.	Qty	Material description	available for order	Wear part	Recomm. sp. part	Metr. relevance
60897700104	1	Weighing module Food	✓			
38063164003	1	Ka Rd 4x0,14 1,15m	✓			
38063245003	1	Ka Rd 4x0,14qmm 0,70m	✓			

grinding device



38132268000



grinding device

Material No.	Qty	Material description
38132268000	1	Grinder VSI F 330 cpl.

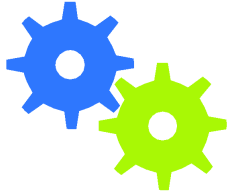
available for order

Wear part

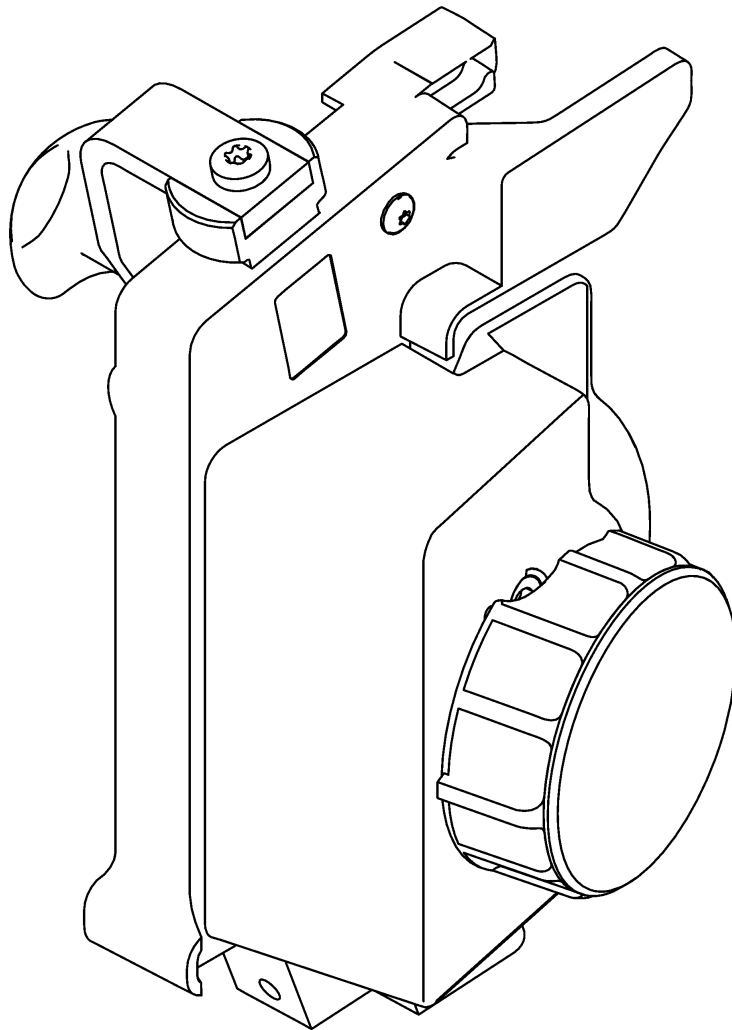
Recomm. sp. part

Metr. relevance

grinding device



38132268001



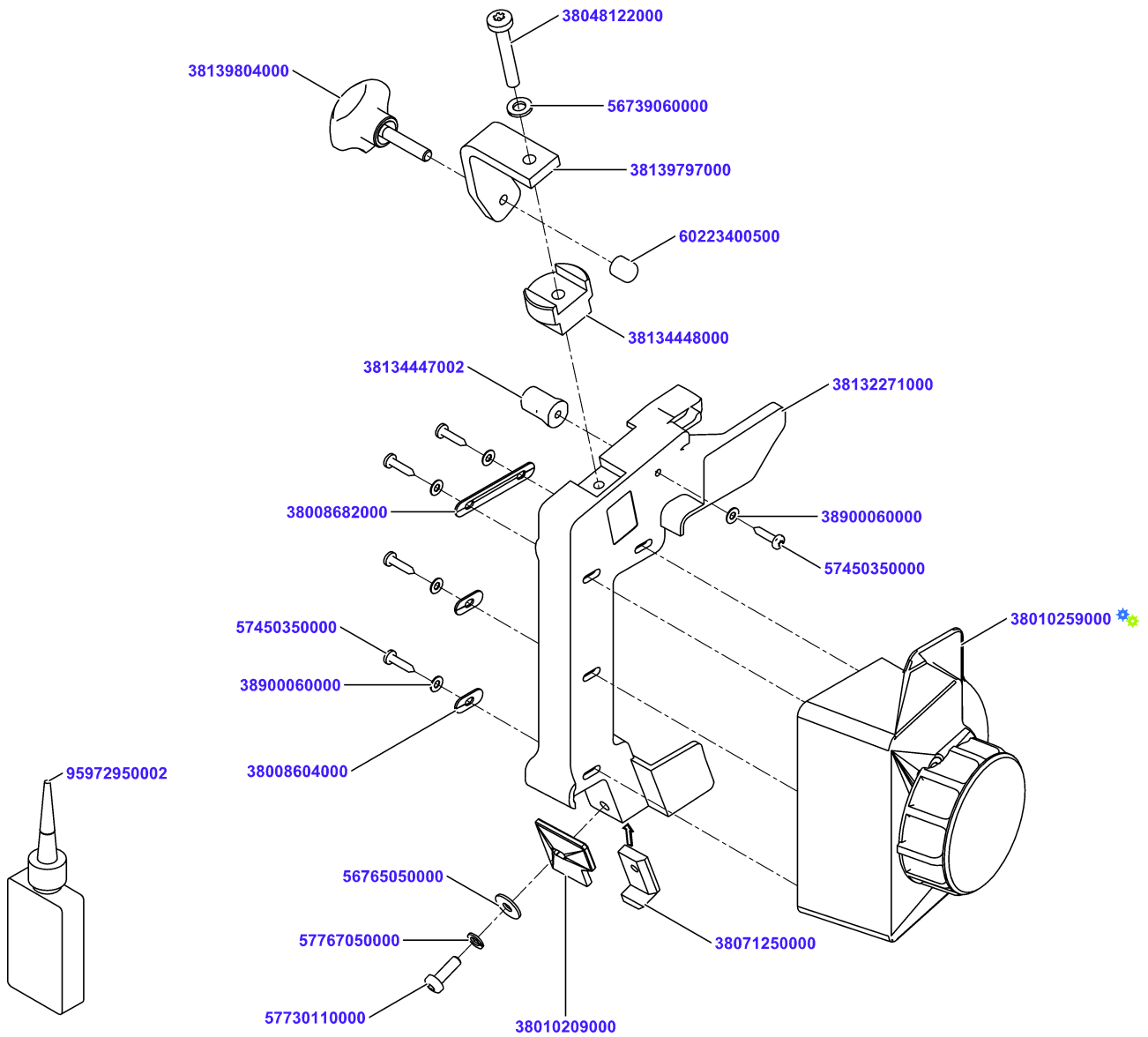
grinding device

Material No. **Qty** **Material description**

[38132268001](#) 1 Grinder VSI 330 cpl.

available for order
Wear part
Recomm. sp. part
Metr. relevance

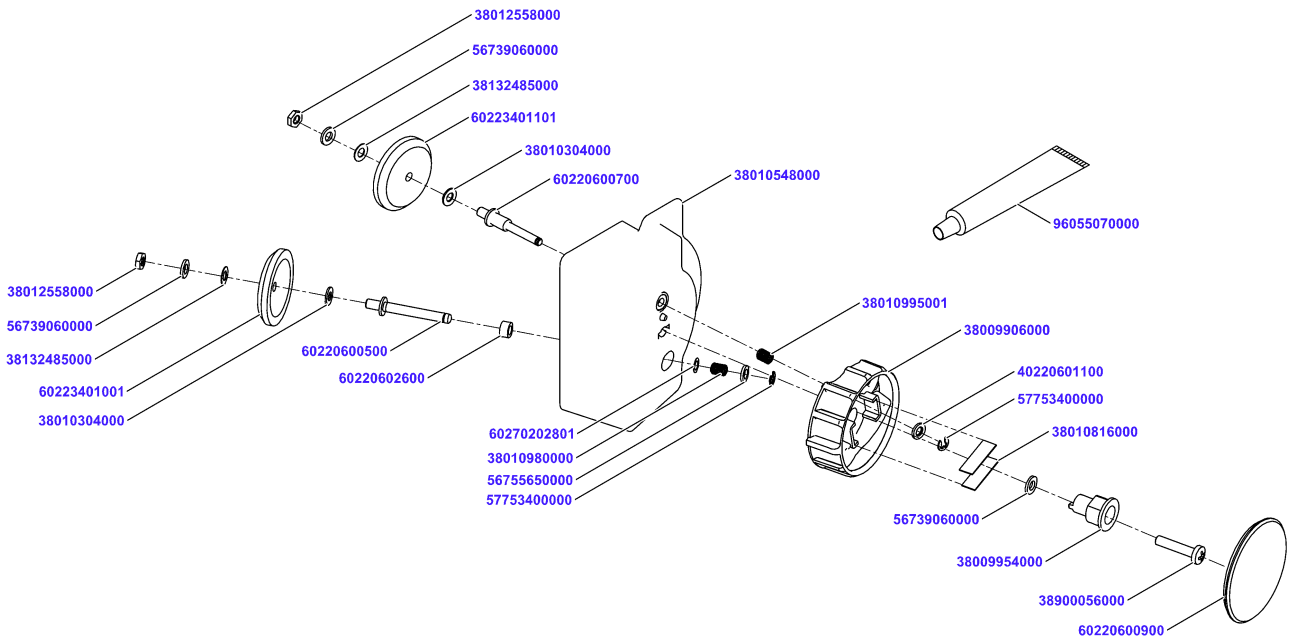
Grinder VSI F 330 cpl.



Grinder VSI F 330 cpl.

Material No.	Qty	Material description	available for order	Wear part	Recomm. sp. part	Metr. relevance
38010259000	1	UVV Sharpener preass. GSP	✓			
38132271000	1	Adapter Grinder VSI 330	✓			
38134447002	1	Adapter fixing	✓			
57450350000	1	Self-tap screw ISO7049-C3,5x16 A2-50-T15	✓			
38900060000	1	Washer DIN125-A-3,5-A2	✓			
38008604000	2	Cover disc 18x8	✓			
38008682000	1	cover disc long	✓			
57450350000	4	Self-tap screw ISO7049-C3,5x16 A2-50-T15	✓			
38900060000	4	Washer DIN125-A-3,5-A2	✓			
38139797000	1	Clamp piece	✓			
38134448000	1	Adapter clamping	✓			
38048122000	1	Oval-head screw ISO14583 M6x40-A2-70-T30	✓			
56739060000	1	Washer DIN125-A-6-A2	✓			
95972950002	0,001	Loctite 243 50 ml	✓			
38139804000	1	Steel star handle, cpl.	✓			
60223400500	1	Cap M6x10	✓			
38010209000	1	Stop - Verwendung entfallen	✓			
38071250000	1	Nut	✓			
57730110000	1	Oval-head screw ISO14583 M5x16-A2-70-T25	✓			
56765050000	1	Washer DIN9021-5-A2	✓			
57767050000	1	Spring lock washer DIN128-A5-FSt	✓			

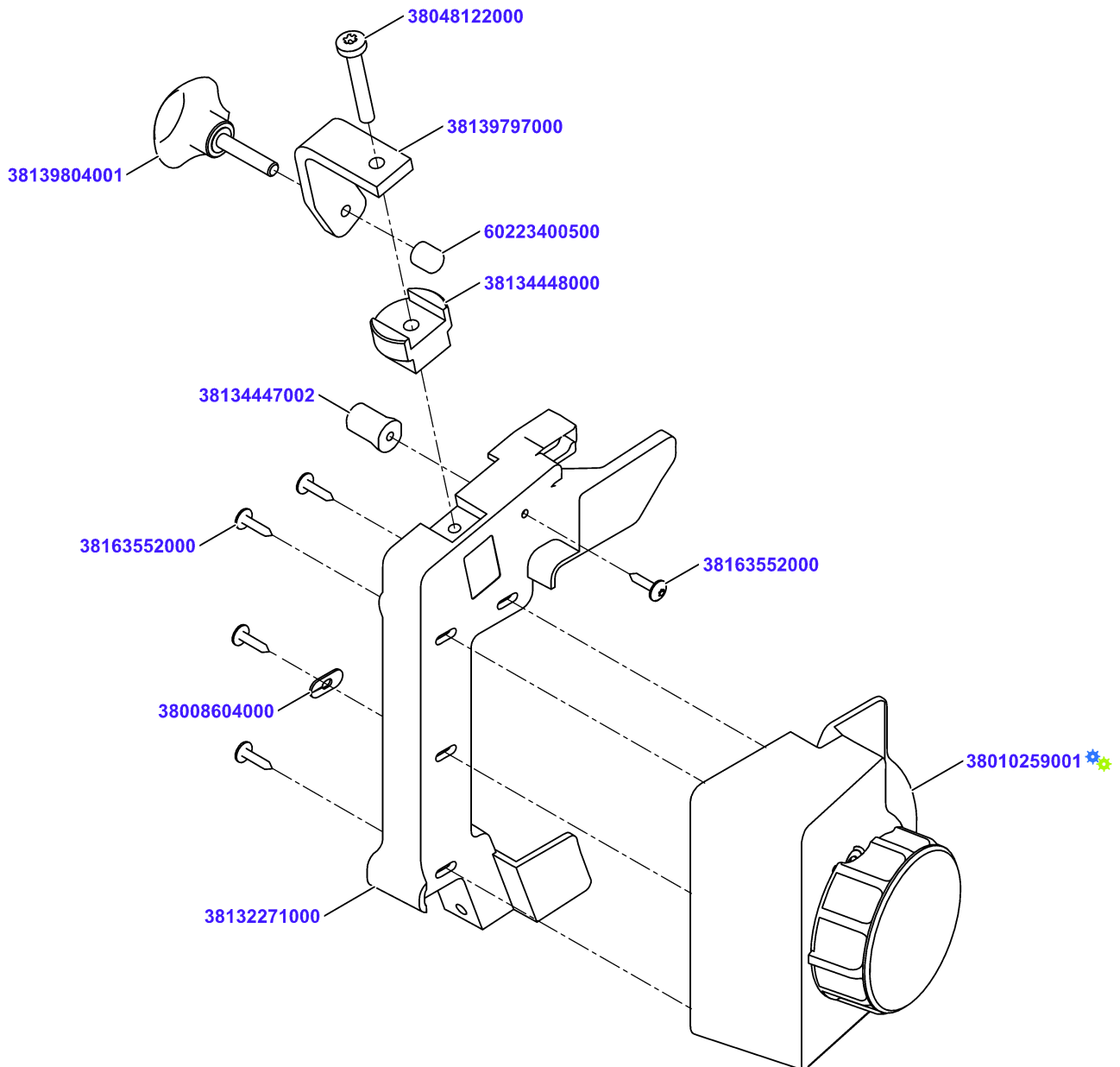
UVV Sharpener preass. GSP













UVV Sharpener preass. GSP

Material No.	Qty	Material description	available for order	Wear part	Recomm. sp. part	Metr. relevance
38010548000	1	Housing	✓			
60220600500	1	Shaft 12x58	✓			
38010980000	1	pressure spring	✓			
56755650000	1	Washer DIN433-6-A2	✓			
57753400000	1	Retaining washer DIN6799-4	✓			
38009954000	1	bearing bolt	✓			
38009906000	1	handwheel	✓			
38900056000	1	Oval-head screw DIN7985 M6x30-A2-70	✓			
56739060000	1	Washer DIN125-A-6-A2	✓			
60220602600	1	Spacer sleeve 10x6,1x5,5	✓			
60220600700	1	Shaft 12x54,5	✓			
38010995001	1	pressure spring	✓			
60270202801	1	Washer	✓			
40220601100	1	Locking washer 11x5,4x1,5	✓			
57753400000	1	Retaining washer DIN6799-4	✓			
38010816000	2	Flat spring 29,5x10x0,6	✓			
60220600900	1	Cover 71x5.5	✓			
38132485000	2	Washer 6,3x12x0,5	✓			
60223401001	1	Sharpening disc	✓	✓		
60223401101	1	Honing Disc	✓	✓		
38010304000	2	Washer	✓			
56739060000	2	Washer DIN125-A-6-A2	✓			
38012558000	2	Hexagon nut DIN439-M6-A2	✓			
96055070000	0,001	Grease PARALIQ GA 343	✓			

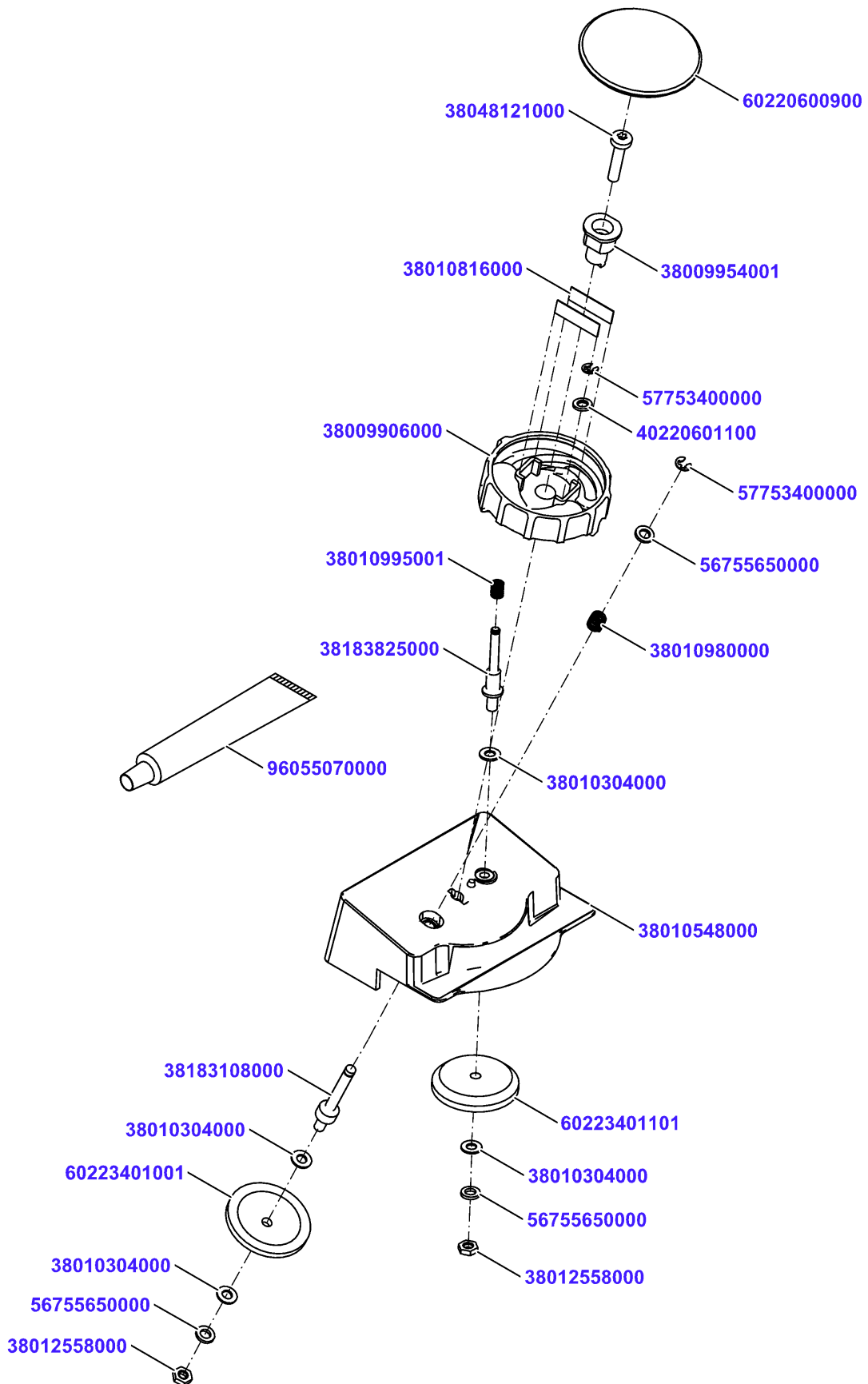
Grinder VSI 330 cpl.



Grinder VSI 330 cpl.

Material No.	Qty	Material description	available for order	Wear part	Recomm. sp. part	Metr. relevance
38010259001	1	Sharpener preassembled UVV VSP/GSP/VSI				
38132271000	1	Adapter Grinder VSI 330				
38134447002	1	Adapter fixing				
38008604000	1	Cover disc 18x8				
38163552000	5	Screw simil. DIN 968 A2 C3,5 x 16 TX15				
38139797000	1	Clamp piece				
38134448000	1	Adapter clamping				
38048122000	1	Oval-head screw ISO14583 M6x40-A2-70-T30				
38139804001	1	Star knob GN 5342 M6 E				
60223400500	1	Cap M6x10				

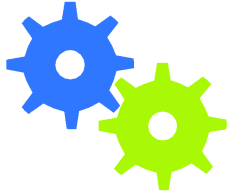
Sharpener preassembled UVV VSP/GSP/VS1



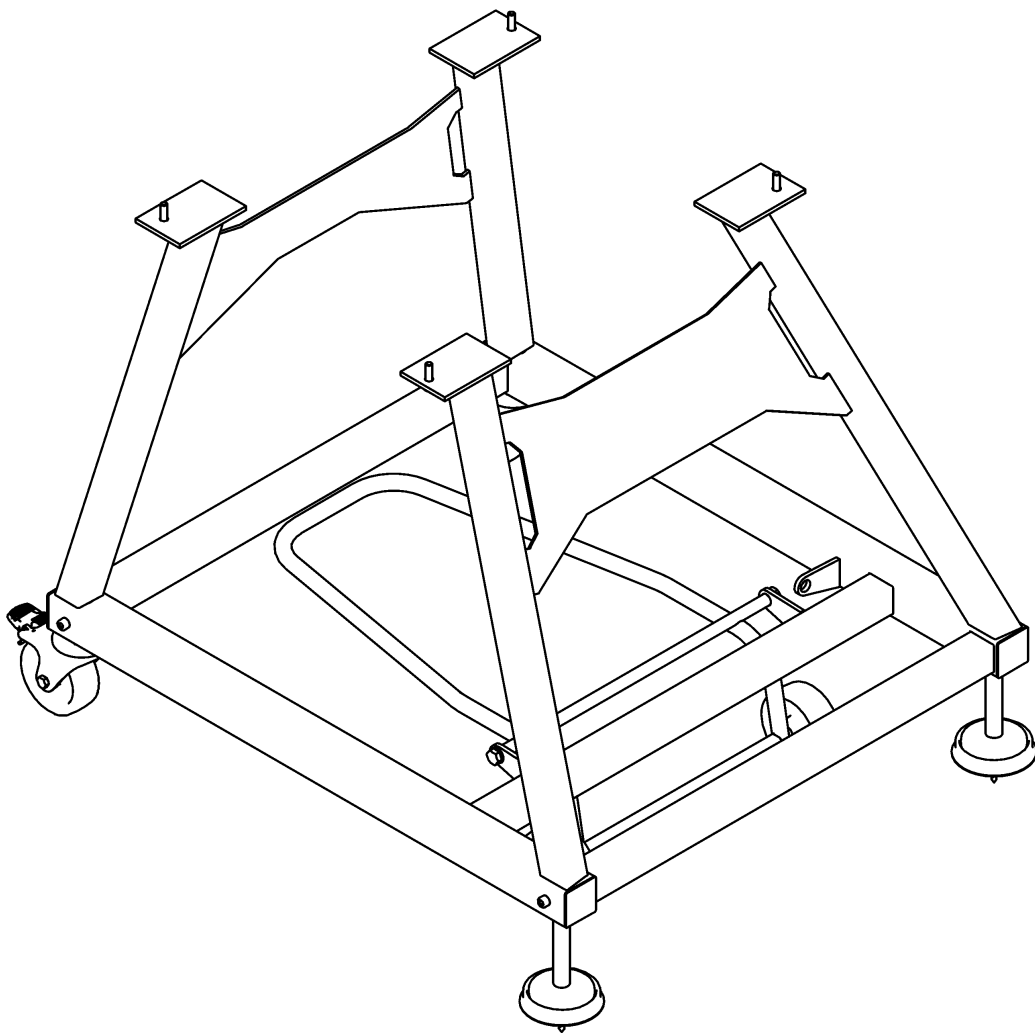
Sharpener preassembled UVV VSP/GSP/VSI

Material No.	Qty	Material description	available for order	Wear part	Recomm. sp. part	Metr. relevance
38010548000	1	Housing	✓			
38183108000	1	Shaft 12x59,5	✓			
38010980000	1	pressure spring	✓			
56755650000	1	Washer DIN433-6-A2	✓			
38009954001	1	Bearing bolt KU - 22x27,7	✓			
38009906000	1	handwheel	✓			
38048121000	1	Oval-head screw ISO14583 M6x30-A2-70-T30	✓			
38183825000	1	Shaft 12x56	✓			
38010995001	1	pressure spring	✓			
40220601100	1	Locking washer 11x5,4x1,5	✓			
57753400000	2	Retaining washer DIN6799-4	✓			
38010816000	2	Flat spring 29,5x10x0,6	✓			
60220600900	1	Cover 71x5.5	✓			
38010304000	2	Washer	✓			
60223401001	1	Sharpening disc	✓	✓		
60223401101	1	Honing Disc	✓	✓		
38010304000	2	Washer	✓			
56755650000	2	Washer DIN433-6-A2	✓			
38012558000	2	Hexagon nut DIN439-M6-A2	✓			
96055070000	0,005	Grease PARALIQ GA 343	✓			

Bench



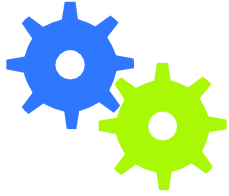
38003999001



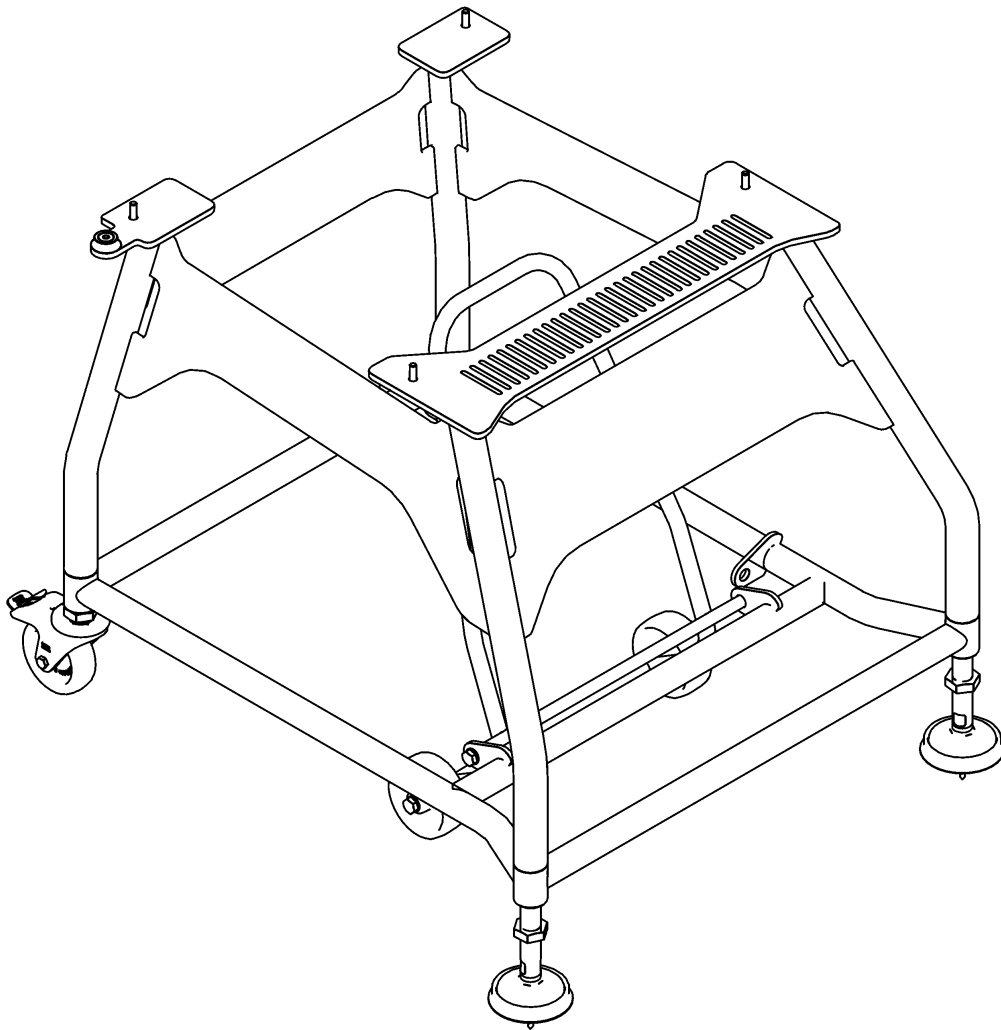
Bench

Material No.	Qty	Material description	available for order	Wear part	Recomm. sp. part	Metr. relevance
38003999001	1	Stand mobile VSI cpl				

Bench



38082643004



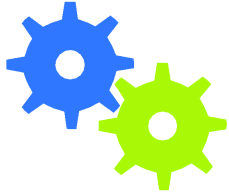
Bench

Material No. **Qty** **Material description**

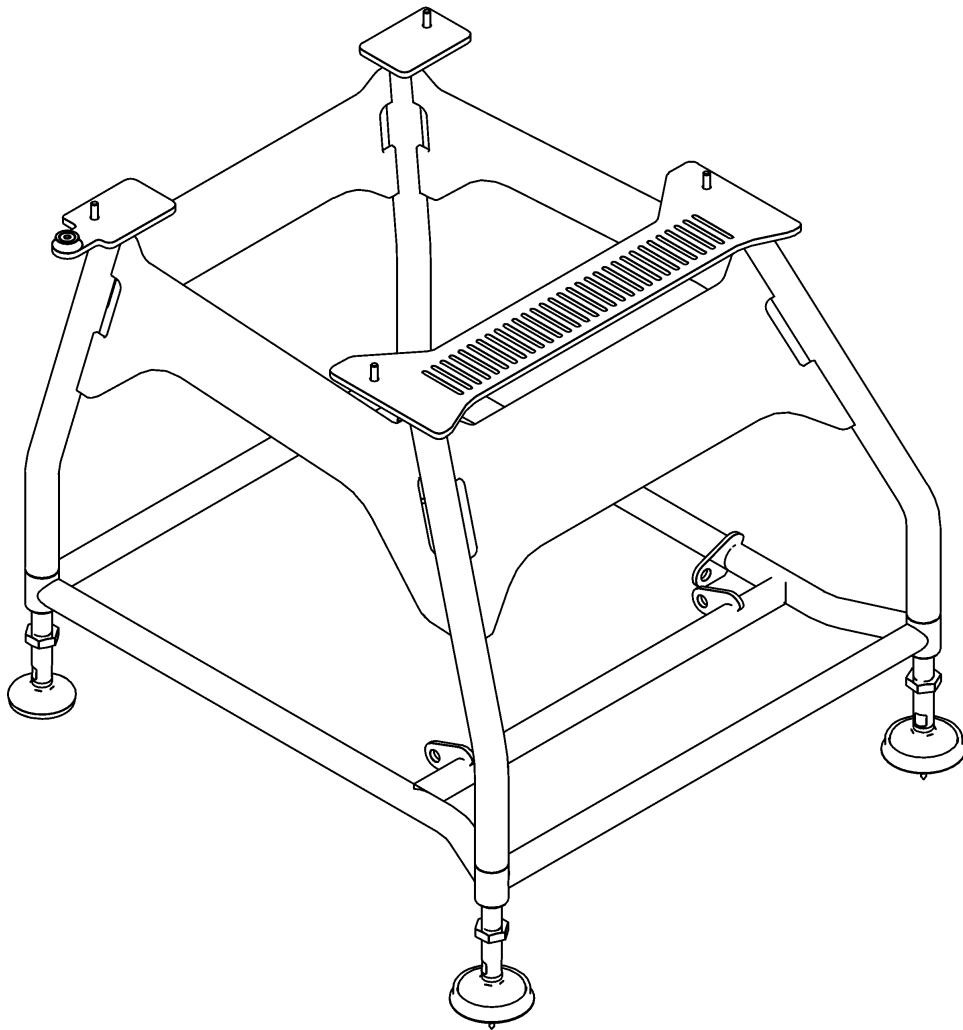
[38082643004](#) 1 Stand mobile cpl

available for order
Wear part
Recomm. sp. part
Metr. relevance

Bench



38083207002



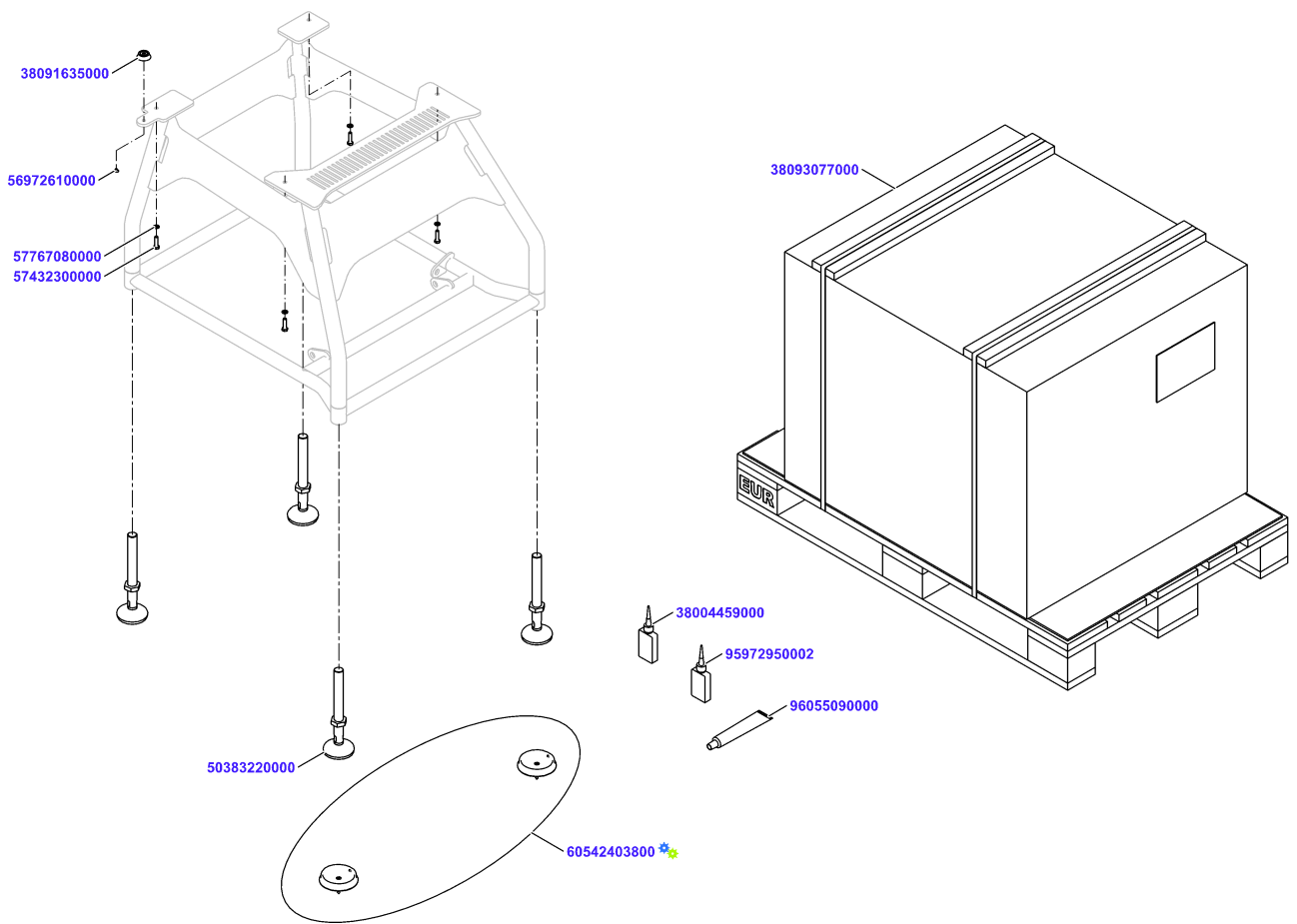
Bench

Material No. **Qty** **Material description**













[38083207002](#) 1 Stand stationary cpl

available for order
Wear part
Recomm. sp. part
Metr. relevance

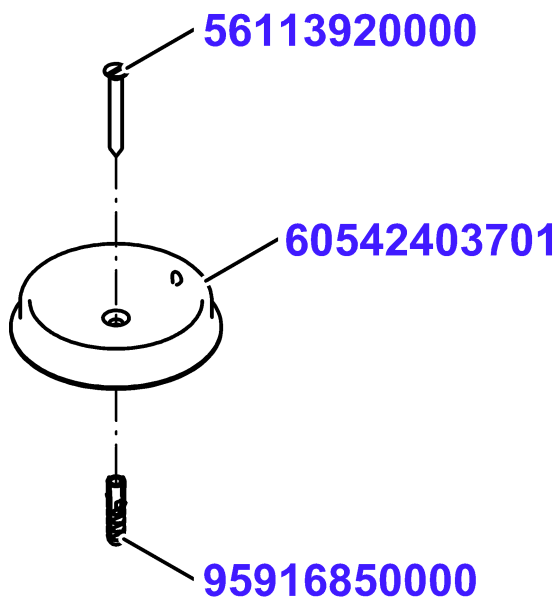
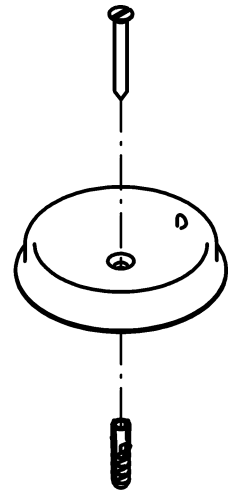
Stand stationary cpl






Stand stationary cpl

Material No.	Qty	Material description	available for order	Wear part	Recomm. sp. part	Metr. relevance
38082662004	1	Stand welded				
38080235000	4	Thread Bushing M30 x 40 x M24				
38004459000	0,004	Loctite 648				
50383220000	4	Pivot foot 80x254-M24x222-10°				
96055090000	0,004	Assembly-paste Rivolta F.L.A. 100 ml				
57432300000	4	Hexagon screw DIN933 M8x30 A2-70				
57767080000	4	Spring lock washer DIN128-A8-A2				
38091635000	1	Spirit Level preass				
56972610000	1	Mushroom head screw M5x6-A2-70				
95972950002	0,001	Loctite 243 50 ml				
60542403800	1	ACCESSORY KIT FOR BENCH FIXATION				
38093077000	1	Packaging Stand stationary VSI cpl				

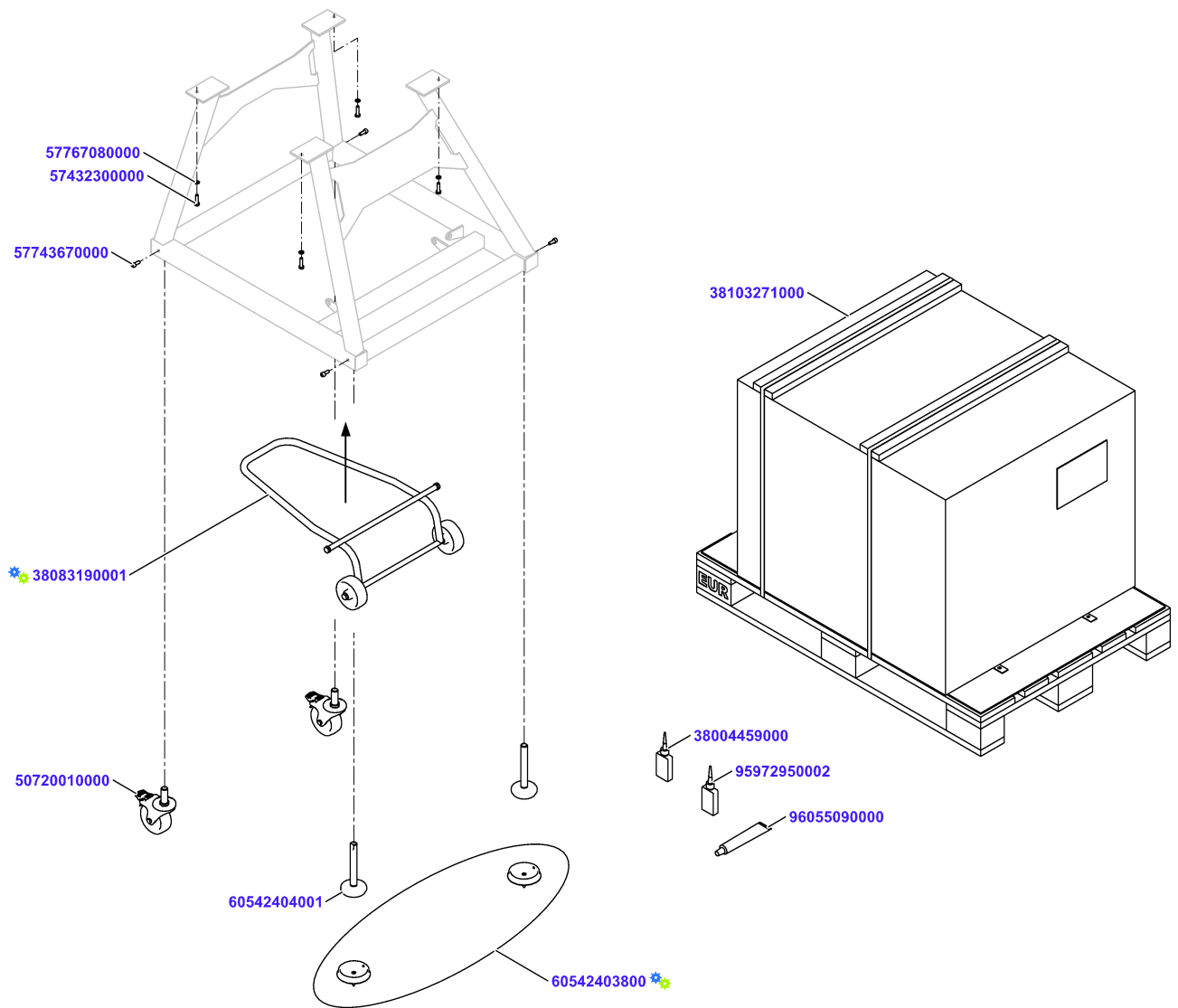
ACCESSORY KIT FOR BENCH FIXATION



ACCESSORY KIT FOR BENCH FIXATION

Material No.	Qty	Material description	available for order	Wear part	Recomm. sp. part	Metr. relevance
60542403701	2	mounting				
95916850000	2	Dowel 6x10x35				
56113920000	2	Wood screw DIN97-6x50-4.6				

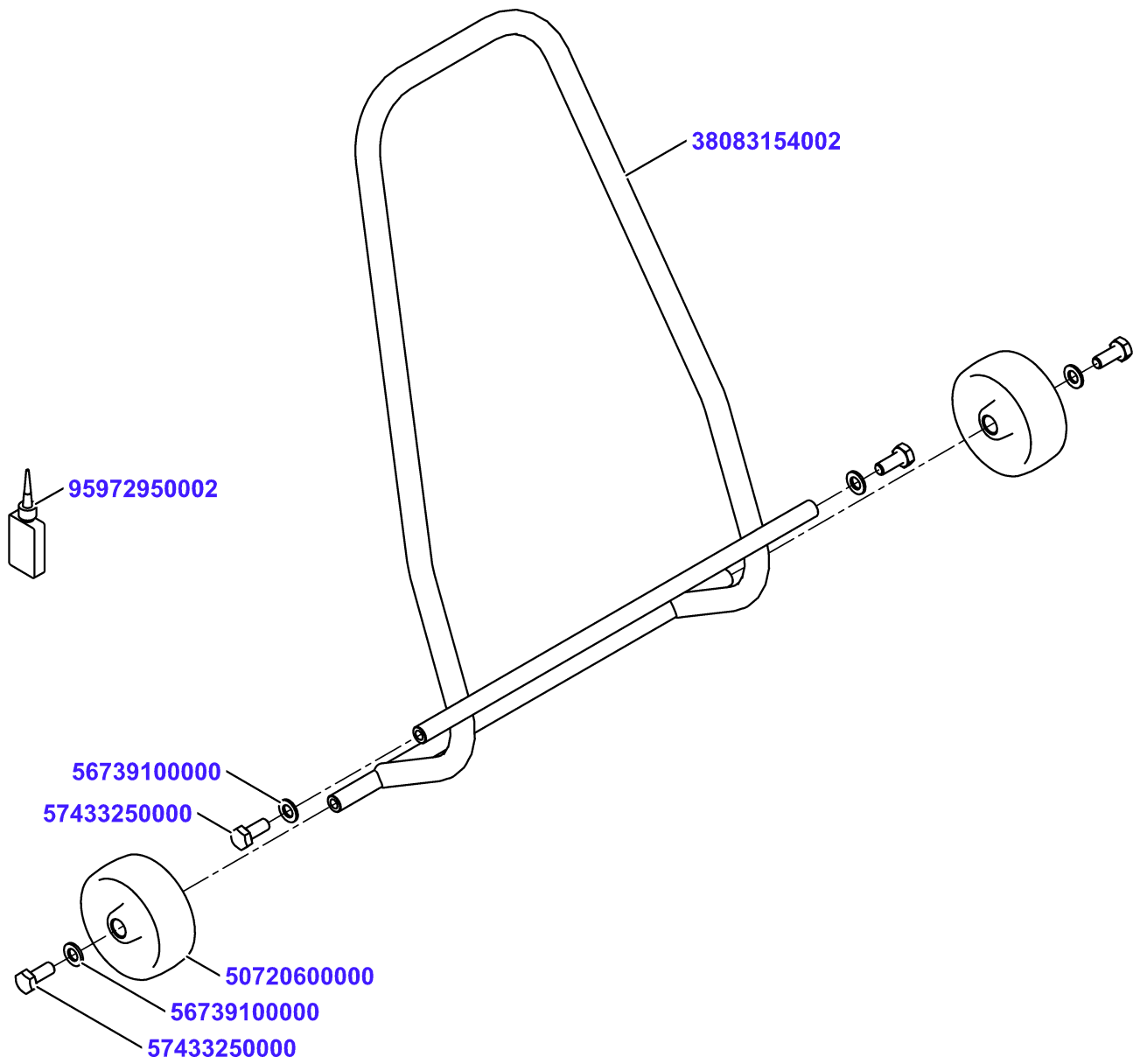
Stand mobile VSI cpl



Stand mobile VSI cpl

Material No.	Qty	Material description	available for order	Wear part	Recomm. sp. part	Metr. relevance
60542404001	2	Supporting Foot 173 x 20	✓			
57743670000	4	Cylinder screw DIN912 M8x20-A2-70	✓			
50720010000	2	Castor With Pivot LEXZ-POT H 100 G-FI-WE	✓			
38083190001	1	Lever cpl.	✓			
57432300000	4	Hexagon screw DIN933 M8x30 A2-70	✓			
96055090000	0,001	Assembly-paste Rivolta F.L.A. 100 ml	✓			
57767080000	4	Spring lock washer DIN128-A8-A2	✓			
60542403800	1	ACCESSORY KIT FOR BENCH FIXATION	✓			
38103271000	1	Packaging Stand mobile VSI cpl	✓			

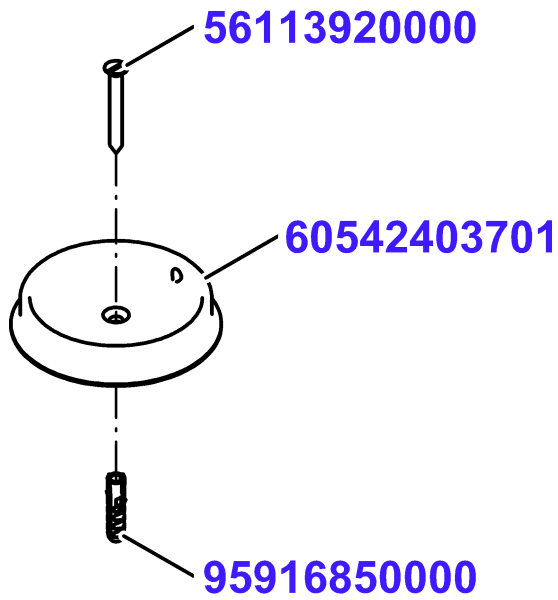
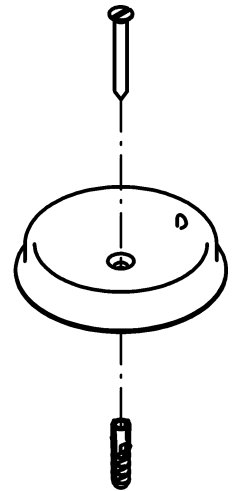
Lever cpl.






Lever cpl.

Material No.	Qty	Material description	available for order	Wear part	Recomm. sp. part	Metr. relevance
38083154002	1	Lever				
50720600000	2	Wheel 100x15x37-160				
56739100000	2	Washer DIN125-A-10-A2				
57433250000	2	Hexagon screw DIN933 M10x25 A2-70				
56739100000	2	Washer DIN125-A-10-A2				
57433250000	2	Hexagon screw DIN933 M10x25 A2-70				
95972950002	0,001	Loctite 243 50 ml				

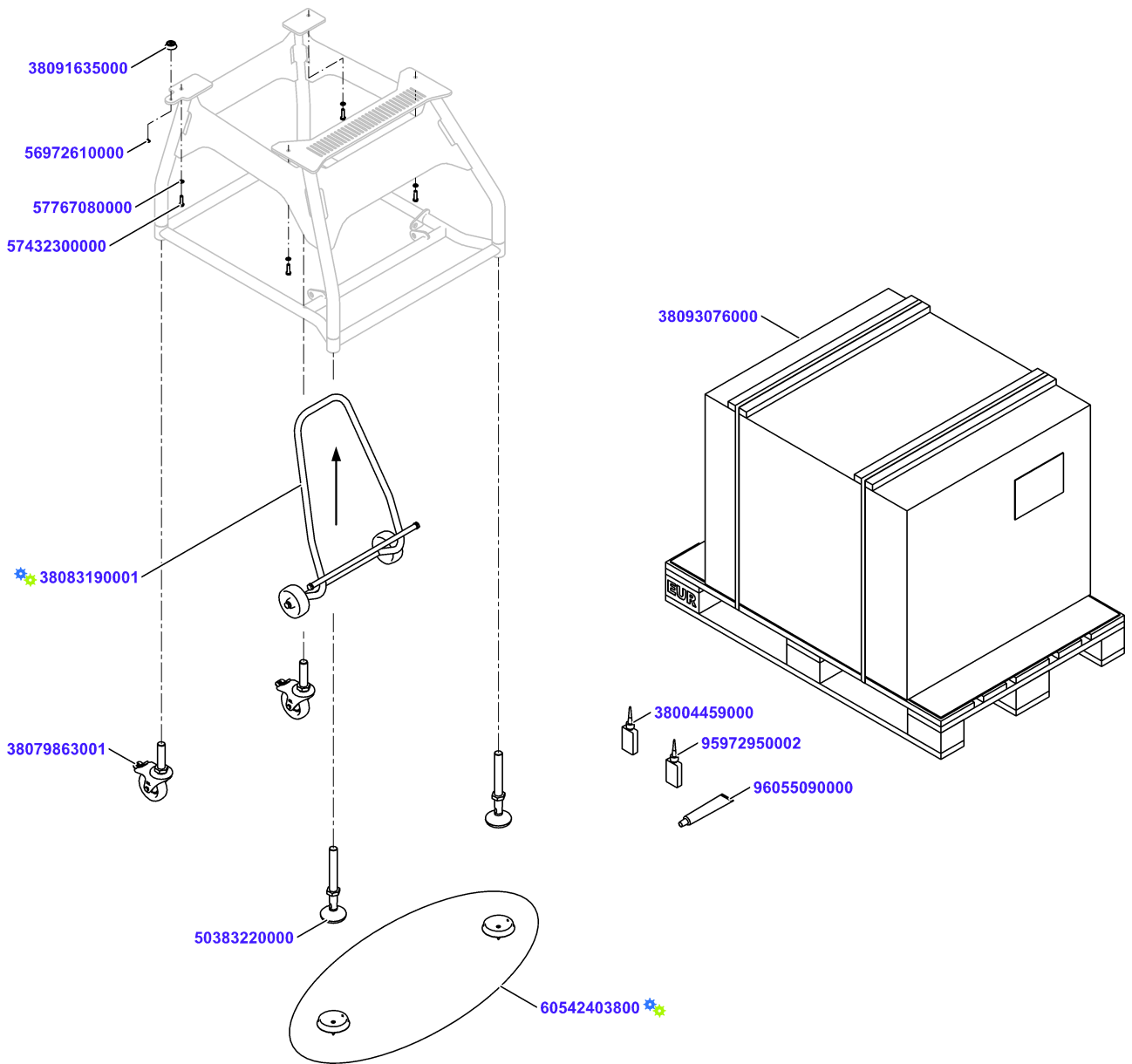
ACCESSORY KIT FOR BENCH FIXATION

















ACCESSORY KIT FOR BENCH FIXATION

Material No.	Qty	Material description	available for order	Wear part	Recomm. sp. part	Metr. relevance
60542403701	2	mounting				
95916850000	2	Dowel 6x10x35				
56113920000	2	Wood screw DIN97-6x50-4.6				

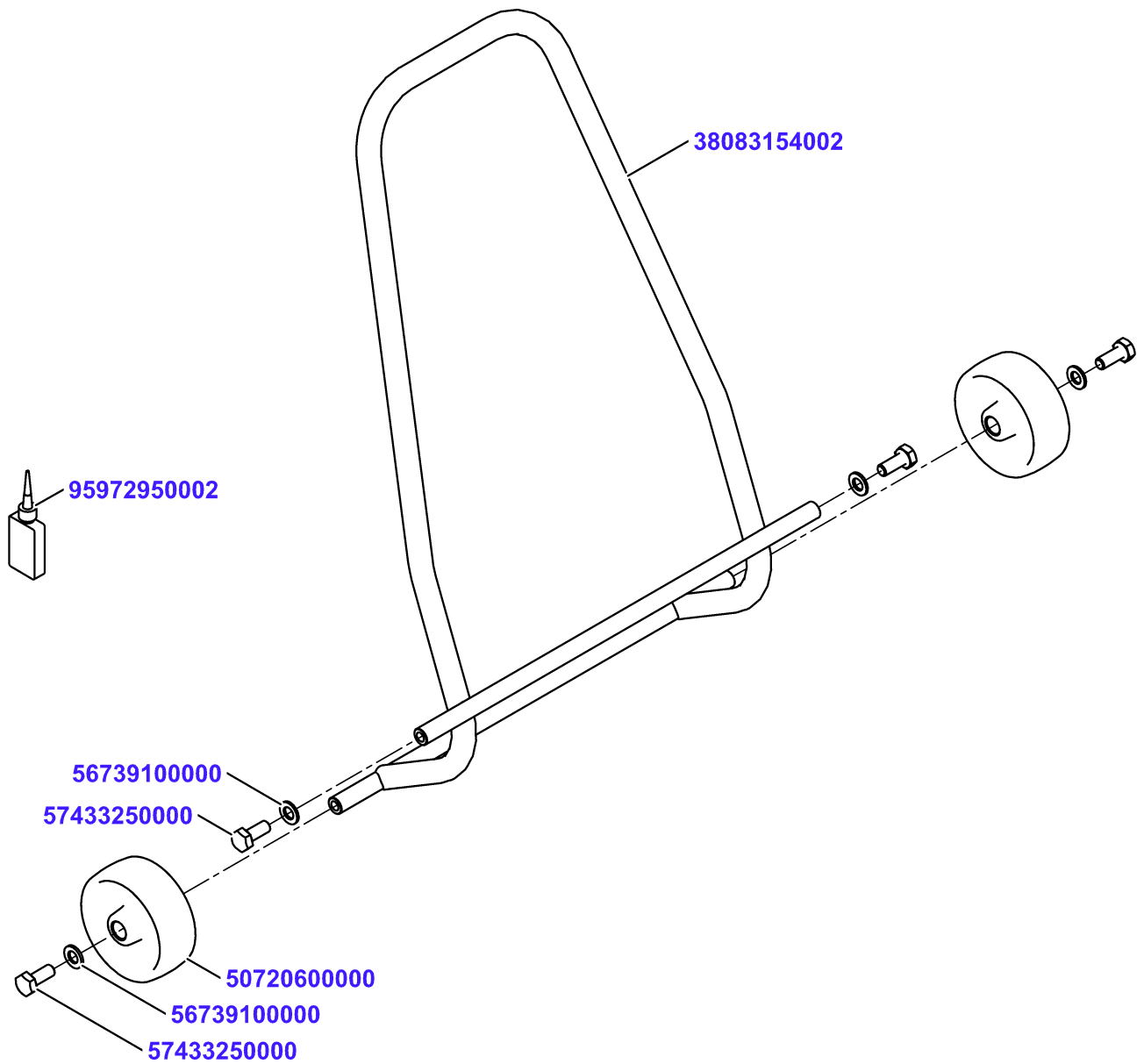
Stand mobile cpl










Stand mobile cpl

Material No.	Qty	Material description	available for order	Wear part	Recomm. sp. part	Metr. relevance
38082662004	1	Stand welded				
38080235000	4	Thread Bushing M30 x 40 x M24				
38004459000	0,004	Loctite 648				
50383220000	2	Pivot foot 80x254-M24x222-10°				
96055090000	0,002	Assembly-paste Rivolta F.L.A. 100 ml				
38079863001	2	Castor cpl				
38083190001	1	Lever cpl.				
57432300000	4	Hexagon screw DIN933 M8x30 A2-70				
57767080000	4	Spring lock washer DIN128-A8-A2				
38091635000	1	Spirit Level preass				
56972610000	1	Mushroom head screw M5x6-A2-70				
95972950002	0,001	Loctite 243 50 ml				
60542403800	1	ACCESSORY KIT FOR BENCH FIXATION				
38093076000	1	Packaging Stand mobile VSI cpl				

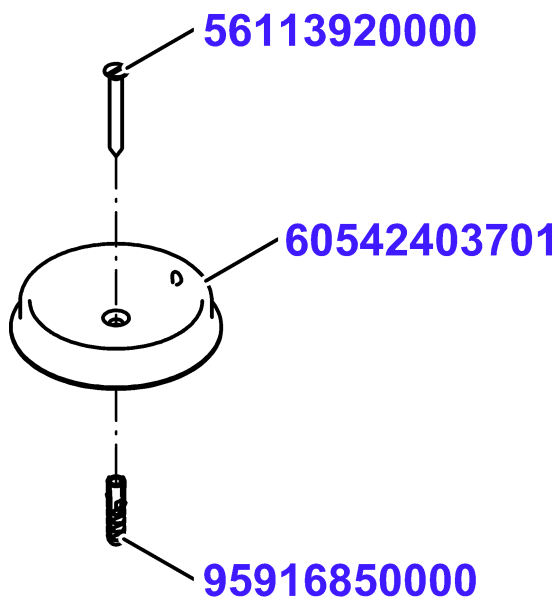
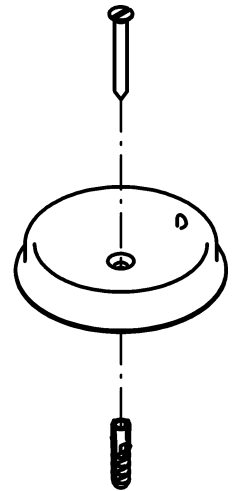
Lever cpl.






Lever cpl.

Material No.	Qty	Material description	available for order	Wear part	Recomm. sp. part	Metr. relevance
38083154002	1	Lever				
50720600000	2	Wheel 100x15x37-160				
56739100000	2	Washer DIN125-A-10-A2				
57433250000	2	Hexagon screw DIN933 M10x25 A2-70				
56739100000	2	Washer DIN125-A-10-A2				
57433250000	2	Hexagon screw DIN933 M10x25 A2-70				
95972950002	0,001	Loctite 243 50 ml				

ACCESSORY KIT FOR BENCH FIXATION

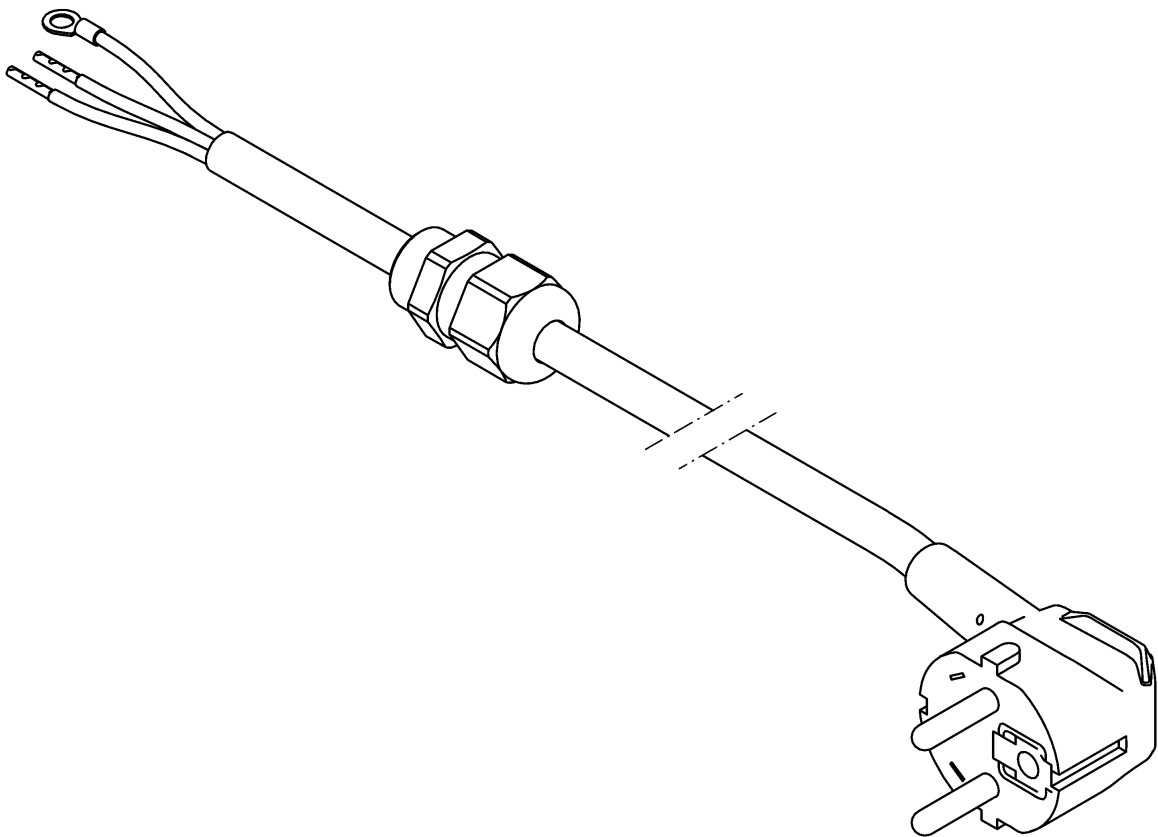


ACCESSORY KIT FOR BENCH FIXATION


Material No.	Qty	Material description	available for order	Wear part	Recomm. sp. part	Metr. relevance
60542403701	2	mounting				
95916850000	2	Dowel 6x10x35				
56113920000	2	Wood screw DIN97-6x50-4.6				

Power connections

38084852000

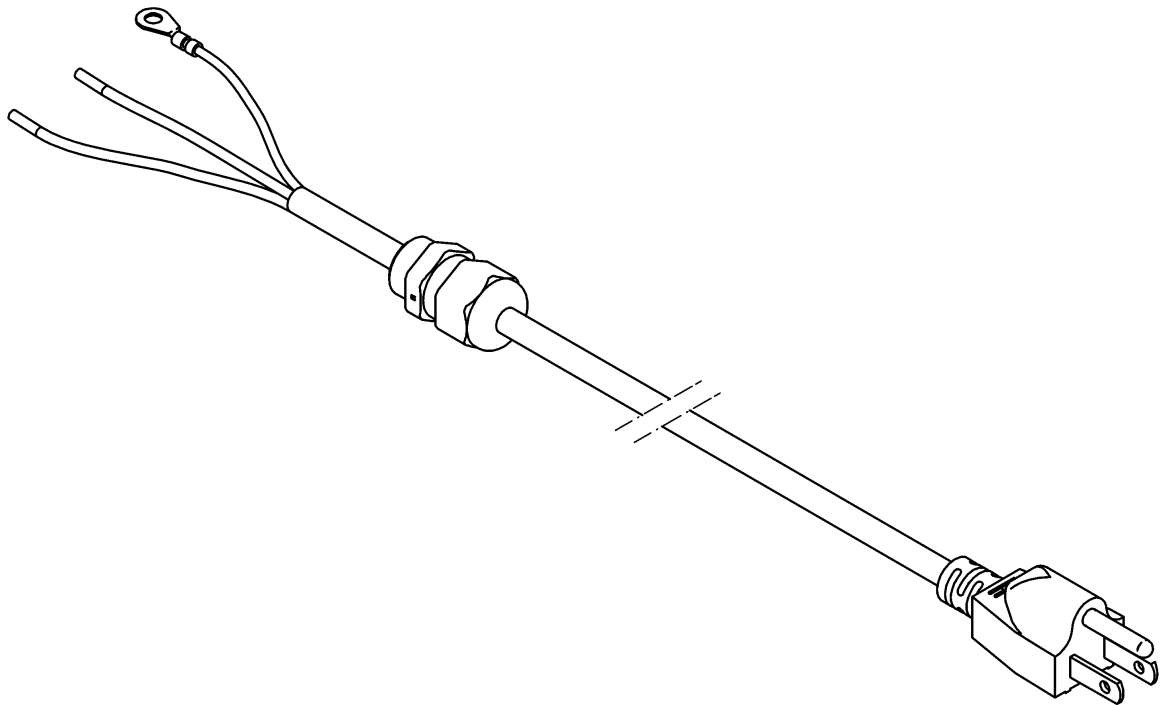


Power connections

Material No.	Qty	Material description	available for order	Wear part	Recomm. sp. part	Metr. relevance
38084852000	1	Power Connection Cable AC EURO L2,5m cpl				

Power connections

38084853000



Power connections

Material No.	Qty	Material description
38084853000	1	Power Conn. Cable USA CAN cpl

available for order

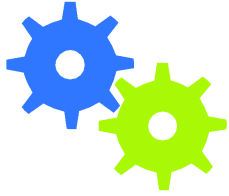
Wear part

Recomm. sp. part

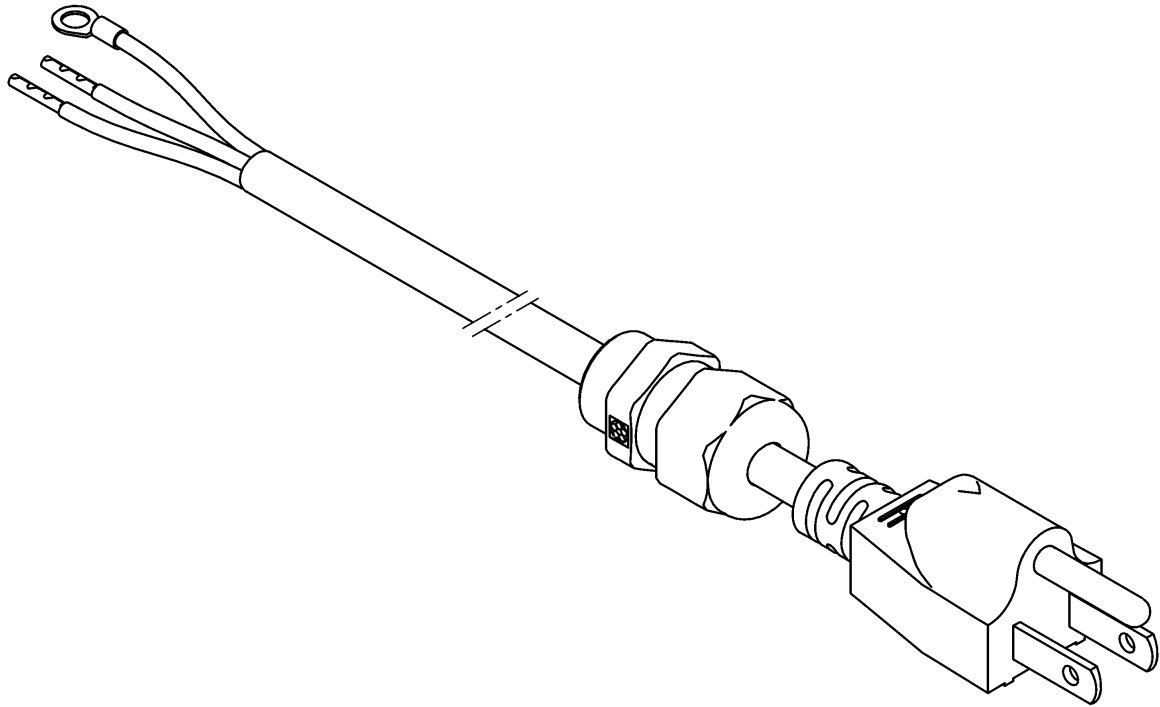
Metr. relevance



Power connections



38084853001

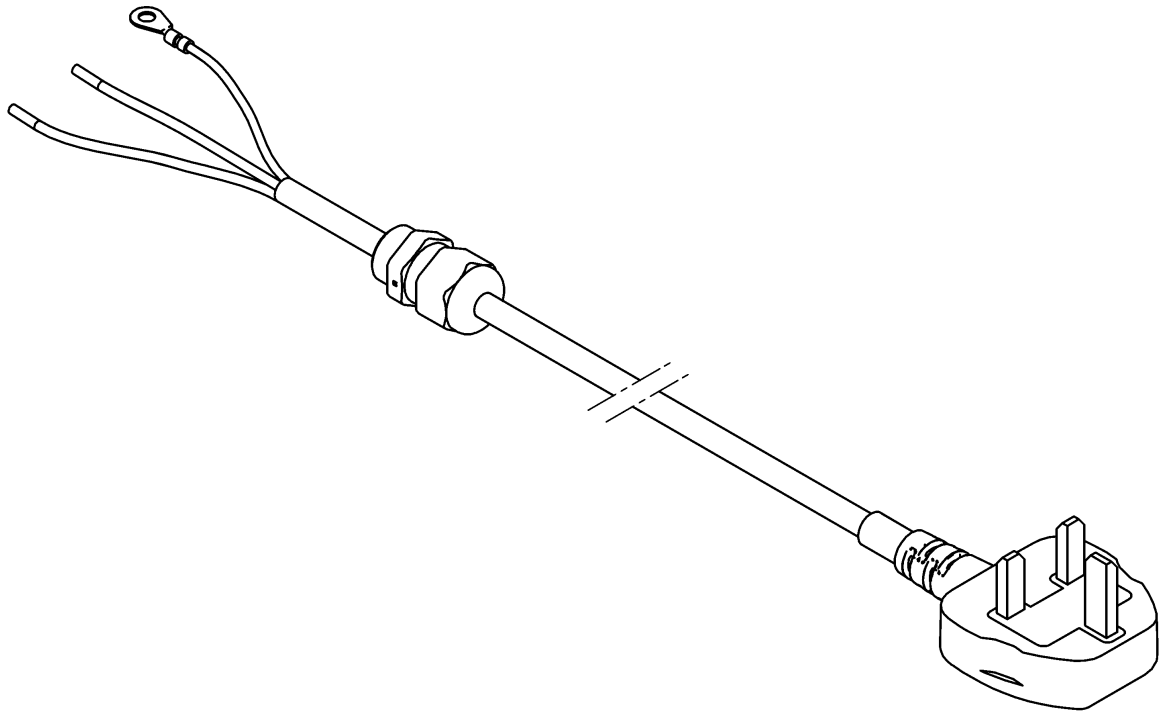


Power connections

Material No.	Qty	Material description	available for order	Wear part	Recomm. sp. part	Metr. relevance
38084853001	1	Power Connection Cable USA CAN cpl.				

Power connections

38091889000



Power connections

Material No.	Qty	Material description
38091889000	1	Power Connection Cable UK cpl.

available for order

Wear part

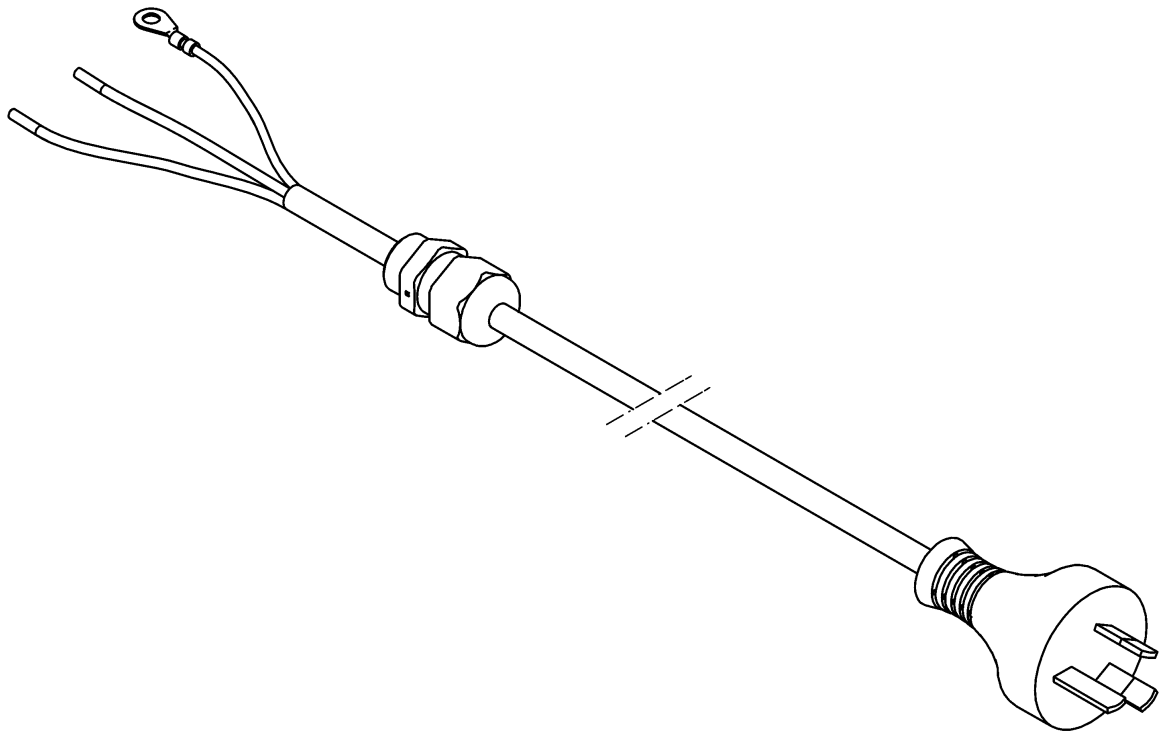
Recomm. sp. part

Metr. relevance



Power connections

38091890000



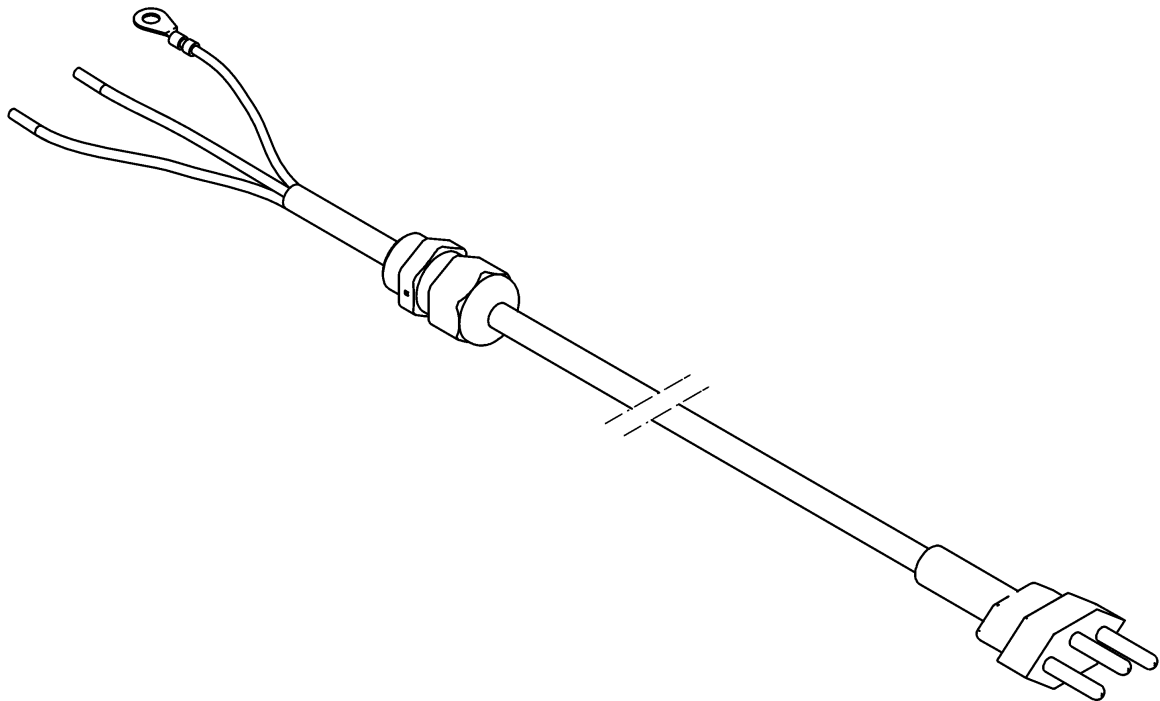
Power connections

available for order
Wear part
Recomm. sp. part
Metr. relevance

Material No.	Qty	Material description
38091890000	1	Power Connection Cable AU cpl.


Power connections

38091891000



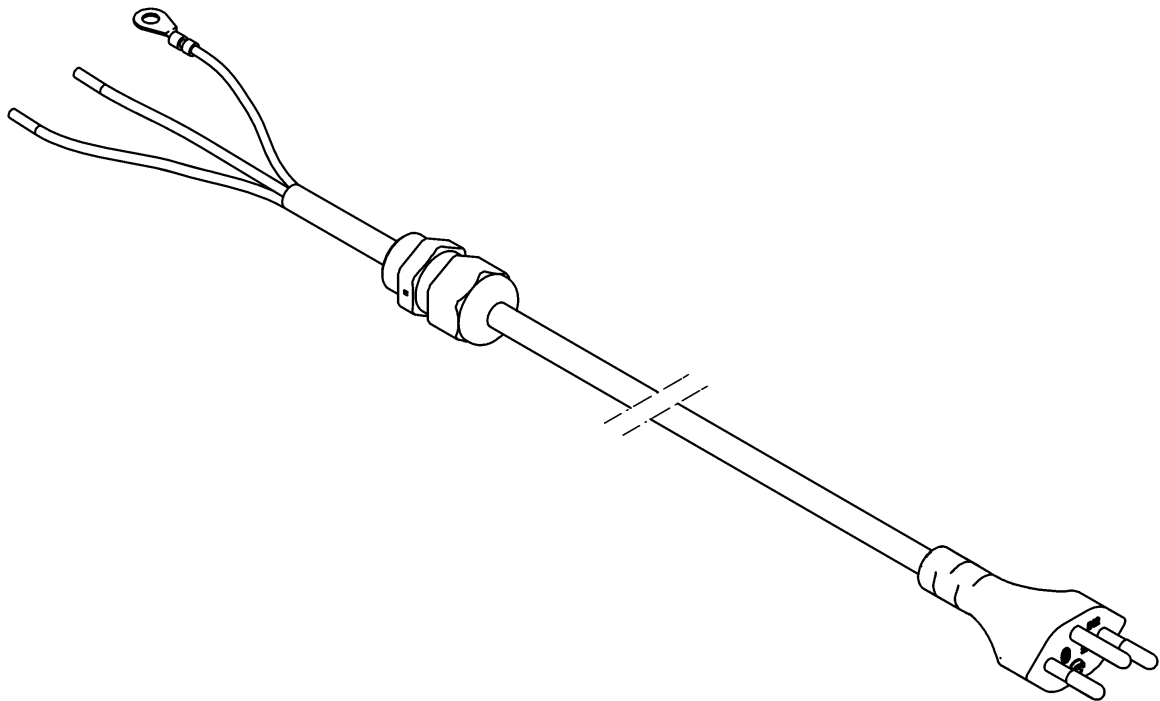
Power connections

Material No.	Qty	Material description
38091891000	1	Power Connection Cable BR cpl.

	available for order	Wear part	Recomm. sp. part	Metr. relevance
---	---------------------	-----------	------------------	-----------------

Power connections

38098326000



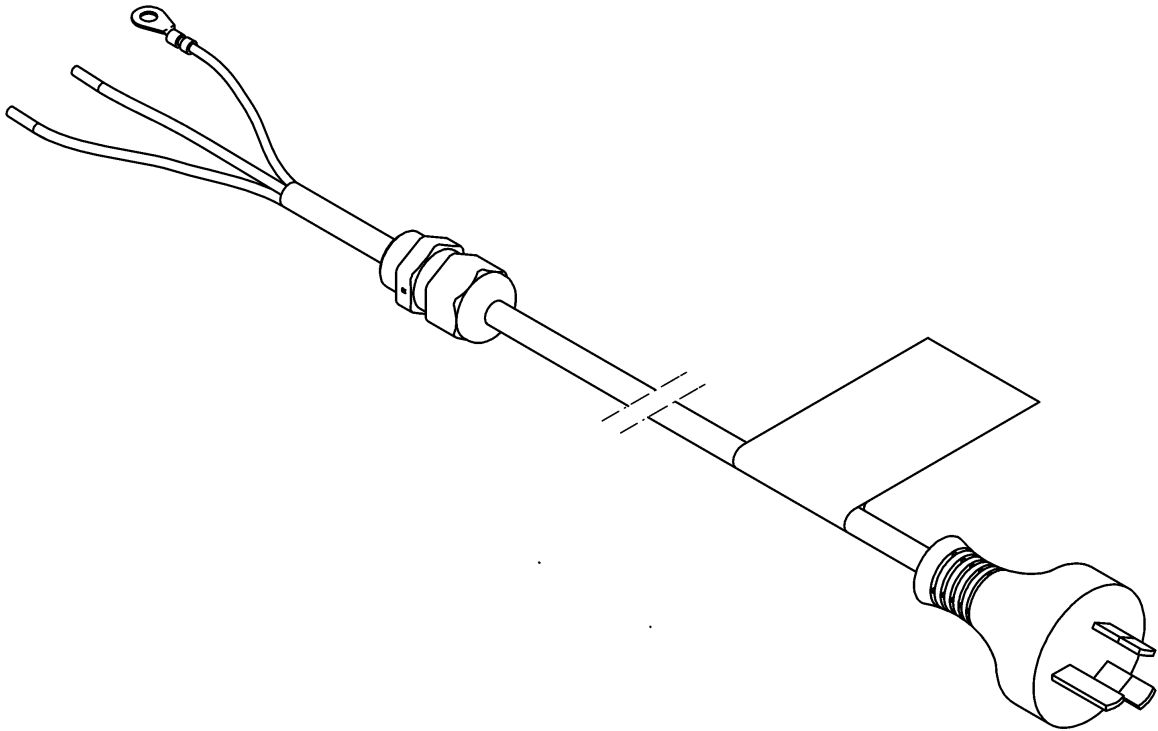
Power connections

available for order
Wear part
Recomm. sp. part
Metr. relevance

Material No.	Qty	Material description
38098326000	1	Power Connection Cable CH cpl.

Power connections

38098327000



Power connections

Material No.	Qty	Material description
38098327000	1	Power Connection Cable AR cpl.

available for order

Wear part

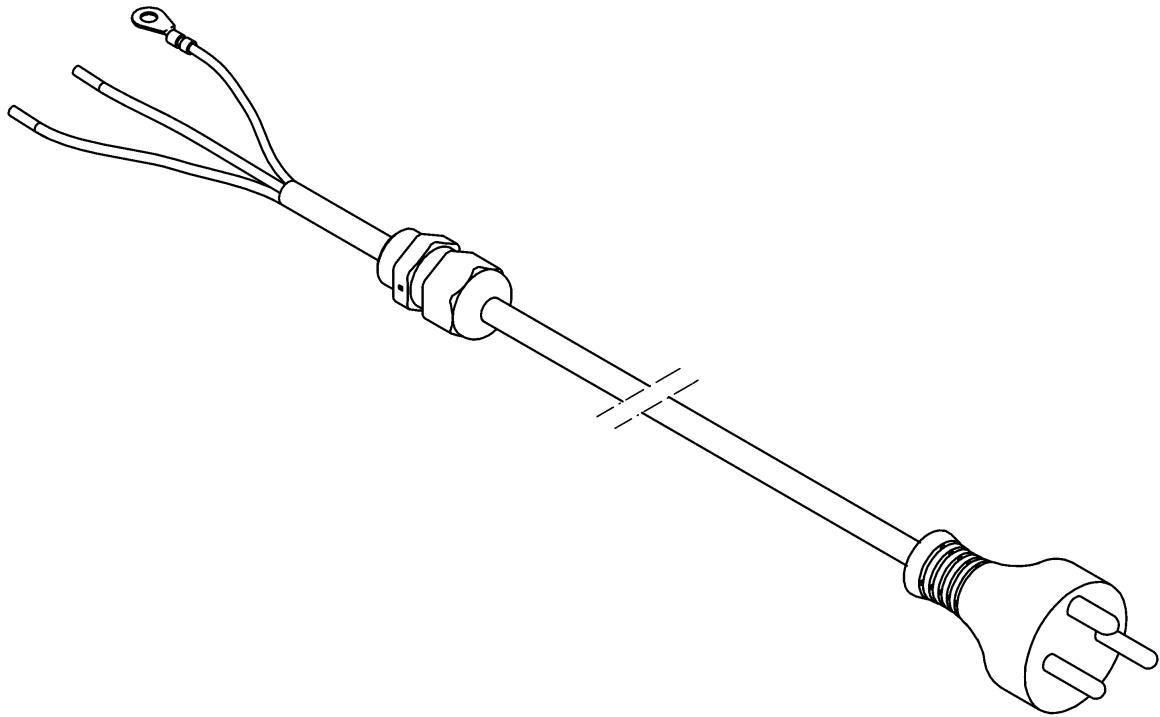
Recomm. sp. part

Metr. relevance



Power connections

38106851000

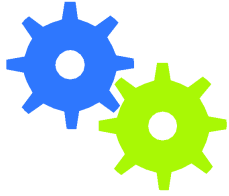


Power connections

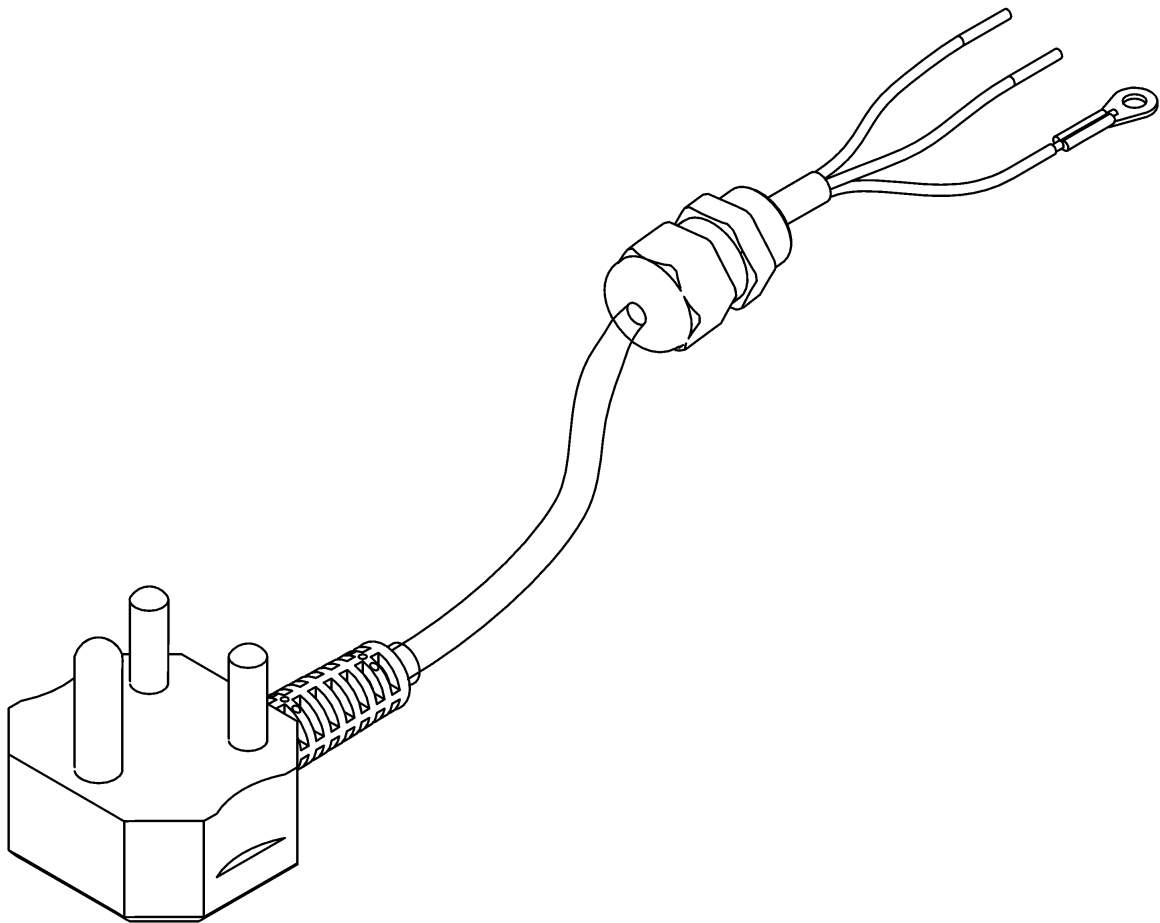
available for order
Wear part
Recomm. sp. part
Metr. relevance

Material No.	Qty	Material description
38106851000	1	Power Connection Cable DK cpl

Power connections



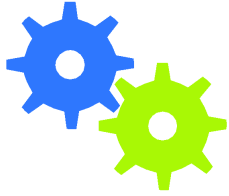
38151086000



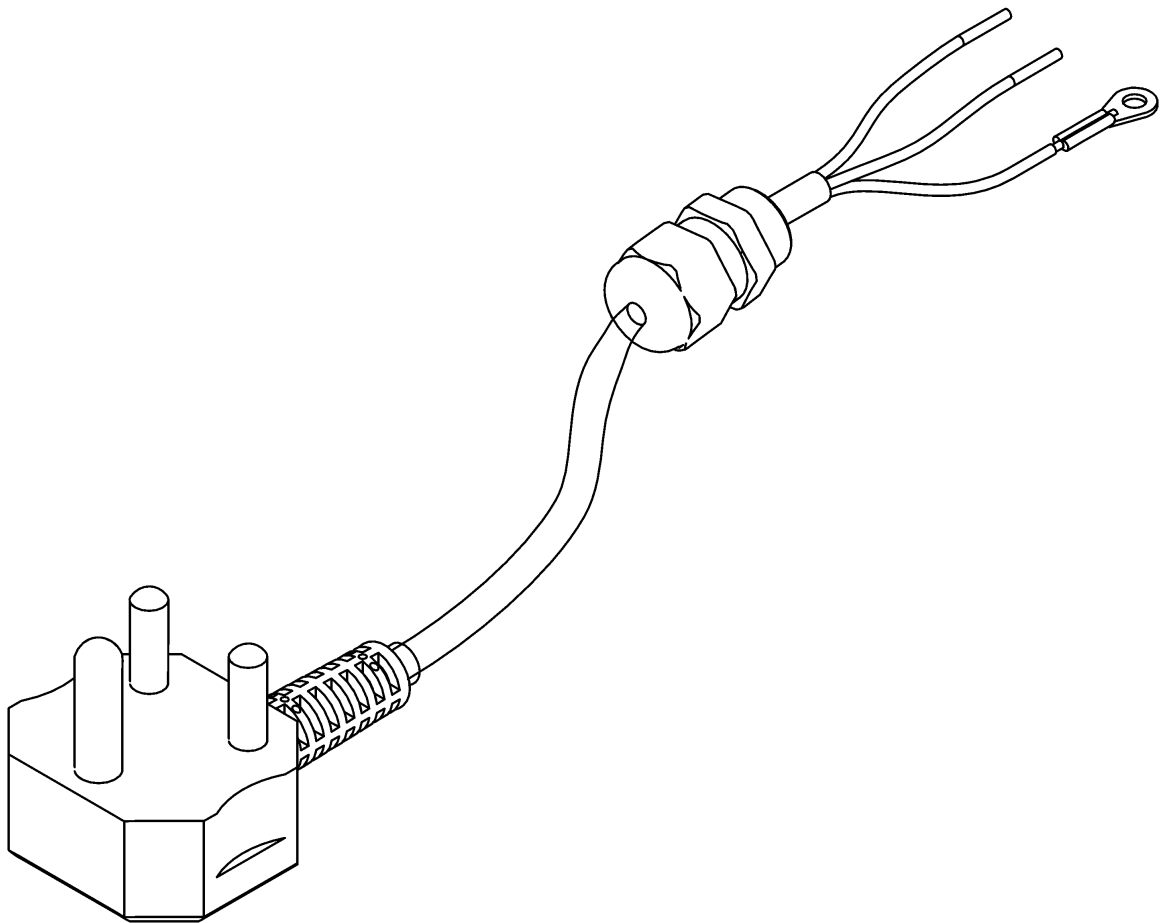
Power connections

Material No.	Qty	Material description	available for order	Wear part	Recomm. sp. part	Metr. relevance
38151086000	1	Power Connection Cable IN cpl.				

Power connections



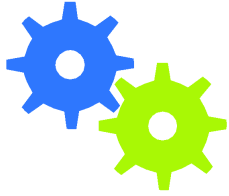
38152676000



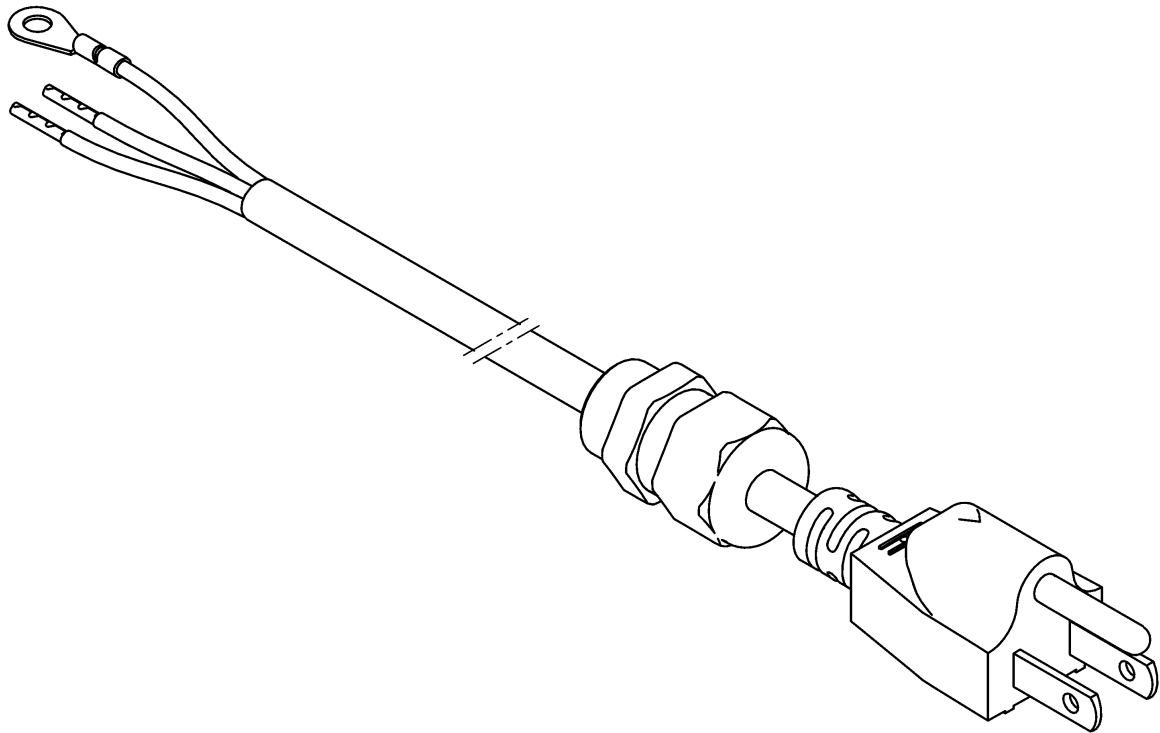
Power connections

Material No.	Qty	Material description	available for order	Wear part	Recomm. sp. part	Metr. relevance
38152676000	1	Power Connection Cable ZA cpl. Type M				

Power connections



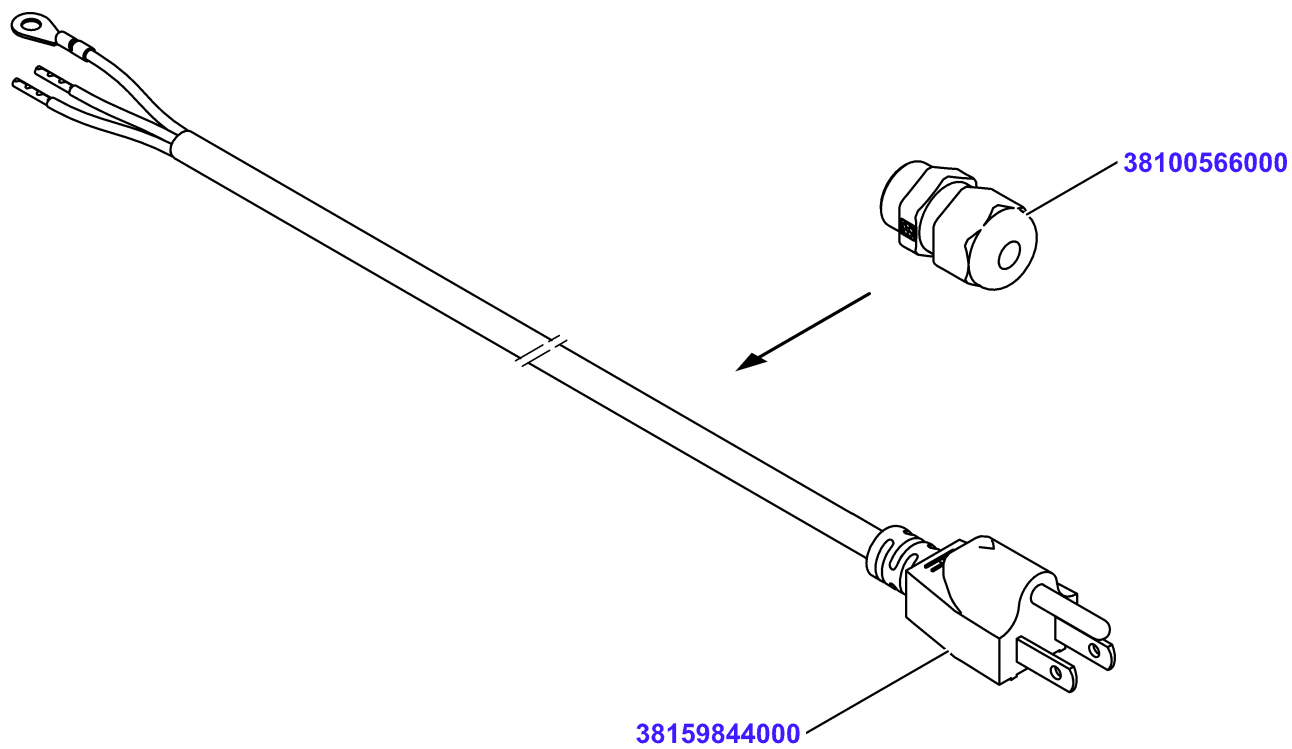
38177210000



Power connections

Material No.	Qty	Material description	available for order	Wear part	Recomm. sp. part	Metr. relevance
38177210000	1	PowerCable USA CAN cpl high-strength VSI				

Power Connection Cable USA CAN cpl.

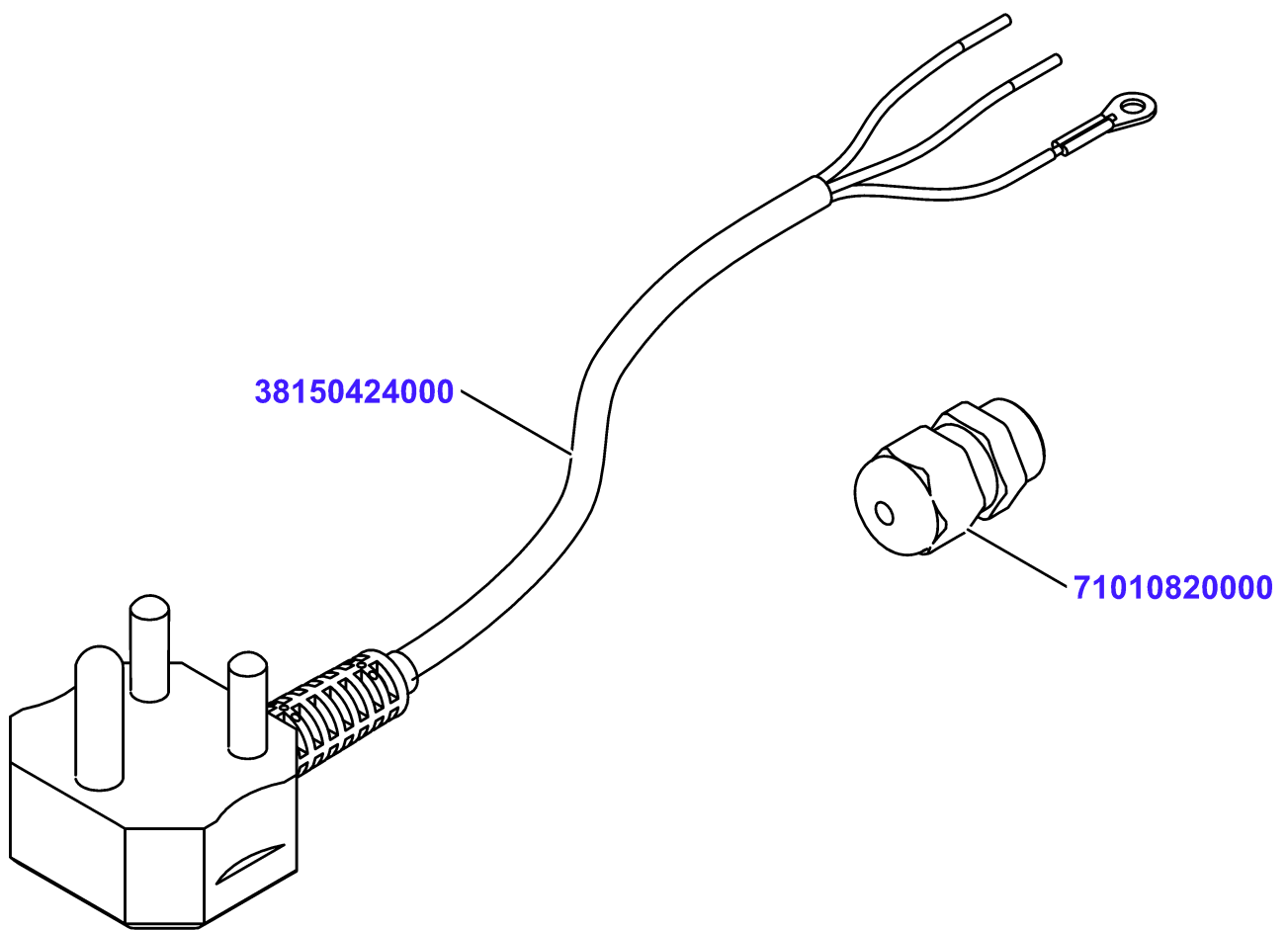


Power Connection Cable USA CAN cpl.

Material No.	Qty	Material description
38159844000	1	Power Cable Plugtype B 3xAWG18 BK 2,5m
38100566000	1	Cable gland Skintop ST-M M16x1,5 black

available for order
Wear part
Recomm. sp. part
Metr. relevance

Power Connection Cable ZA cpl. Type M

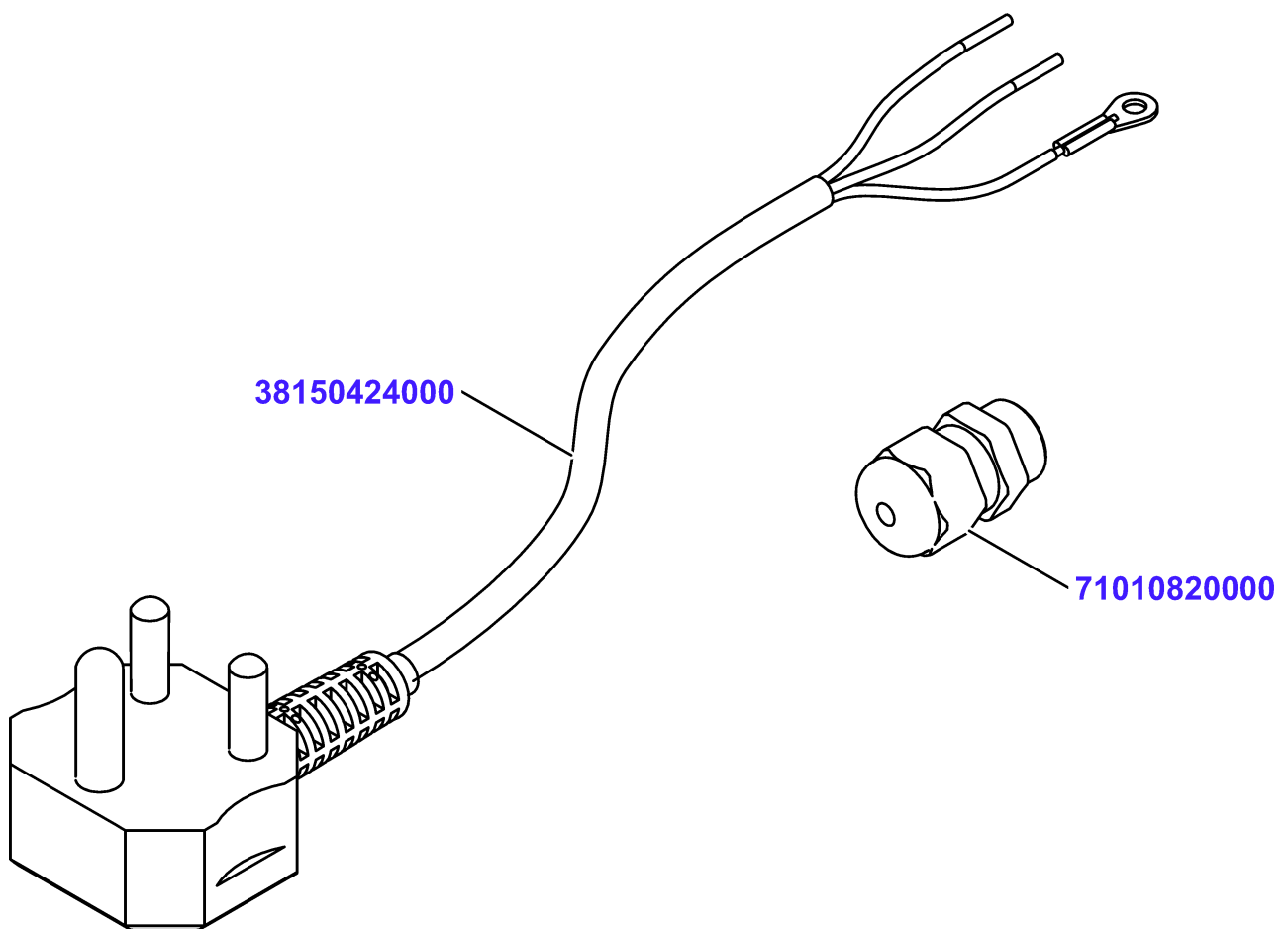


Power Connection Cable ZA cpl. Type M

Material No.	Qty	Material description
38150424000	1	Ca Rd 3G1,00 2,5m Typ M
71010820000	1	Cable Gland M16 UL 53111010

available for order
Wear part
Recomm. sp. part
Metr. relevance

Power Connection Cable IN cpl.

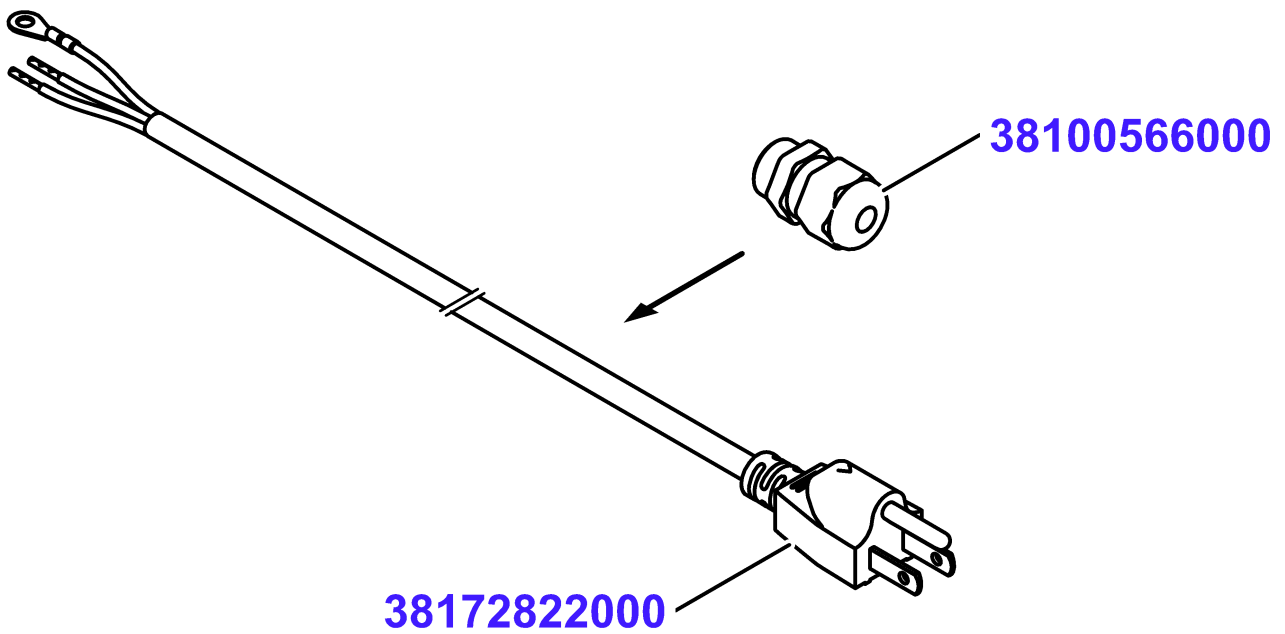


Power Connection Cable IN cpl.

Material No.	Qty	Material description
38150424000	1	Ca Rd 3G1,00 2,5m Typ M
71010820000	1	Cable Gland M16 UL 53111010

available for order
Wear part
Recomm. sp. part
Metr. relevance

PowerCable USA CAN cpl high-strength VSI



PowerCable USA CAN cpl high-strength VSI

Material No.	Qty	Material description
38172822000	1	Power Cable Plugtype B 3xAWG18 YE 2,5m
38100566000	1	Cable gland Skintop ST-M M16x1,5 black

available for order
Wear part
Recomm. sp. part
Metr. relevance

Identification plates

38086202002

BIZERBA	VSI330 XXX
XXX	
Nr./No. XXX	XXX
XXX	
Bizerba SE & Co.KG Wilhelm-Kraut-Str.65 72336 Balingen Germany	
XXX	XXX

Identification plates

Material No. **Qty** **Material description**

[38086202002](#) 1 Name Plate VSI

available for order
Wear part
Recomm. sp. part
Metr. relevance

Identification plates

38100642003

BIZERBA _____ XXXXXX

Fatiador _____ Ano X-XXXX

Nr. / No. XXXXXXXX _____ IPx5

X XX XXXXXXXXXXXX XX XXXXX _____

**Bizerba SE & Co.KG
Wilhelm-Kraut-Str.65
72336 Balingen
FABRICADO NA ALEMANHA**



Bizerba do Brasil Ltda.
Alameda Caiapós 717-Tamboré
06460-110 Barueri-SP
Brasil
CNPJ 04.409.332/0001-85
Número registro no CREA-SP: 2038471
Peso da máquina 137kg
Capacidade carregamento máximo 20,0 kg

Identification plates

Material No. **Qty** **Material description**

available for order
Wear part
Recomm. sp. part
Metr. relevance

Identification plates

Identification plates

Material No.	Qty	Material description
38100643003	2	Nameplate VSI F T BRA

available for order

Wear part

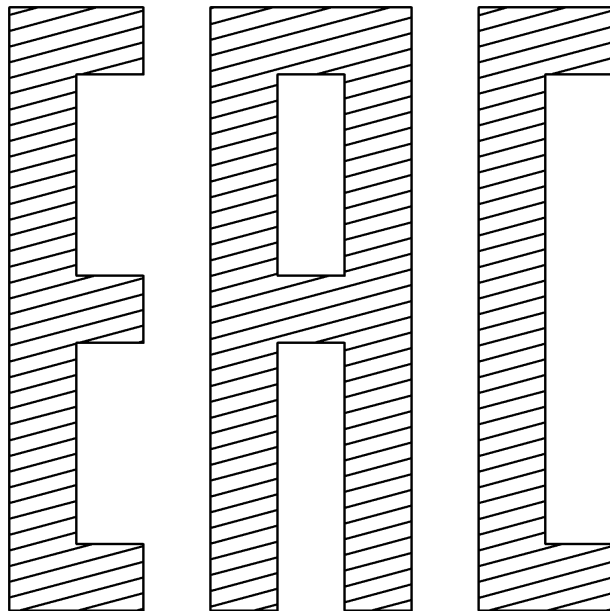
Recomm. sp. part

Metr. relevance



Plates

38014393001



Plates

Material No.	Qty	Material description
38014393001	1	Plate EAC mark

available for order

Wear part

Recomm. sp. part

Metr. relevance




Plates

38014989000

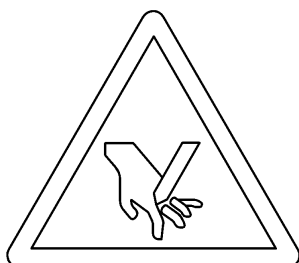


Plates

Material No.	Qty	Material description	available for order	Wear part	Recomm. sp. part	Metr. relevance
38014989000	1	Sticker "See instruction manual"				

Plates

38017656000



WARNING

Authorized personnel only
 Read operating instructions
 to avoid serious injuries
 Moving parts can
 crush and cut
 Disconnect from supply
 circuit before cleaning
 or servicing


AVERTISSEMENT **CUIDADO**

Personnel autorisé seulement
 Lire le mode d'emploi afin
 d'éviter des blessures graves
 Les mécanismes en mouvement
 peuvent écraser et couper
 Débrancher du secteur
 avant d'effectuer le
 nettoyage ou l'entretien

Solo personal autorizado
 Lea cuidadosamente las instrucc
 de manejo para evitar serios da
 Las partes móviles pueden
 machucar y cortar
 Desconecte la fuente de energ
 eléctrica antes de realizar la
 limpieza o trabajos de servicio

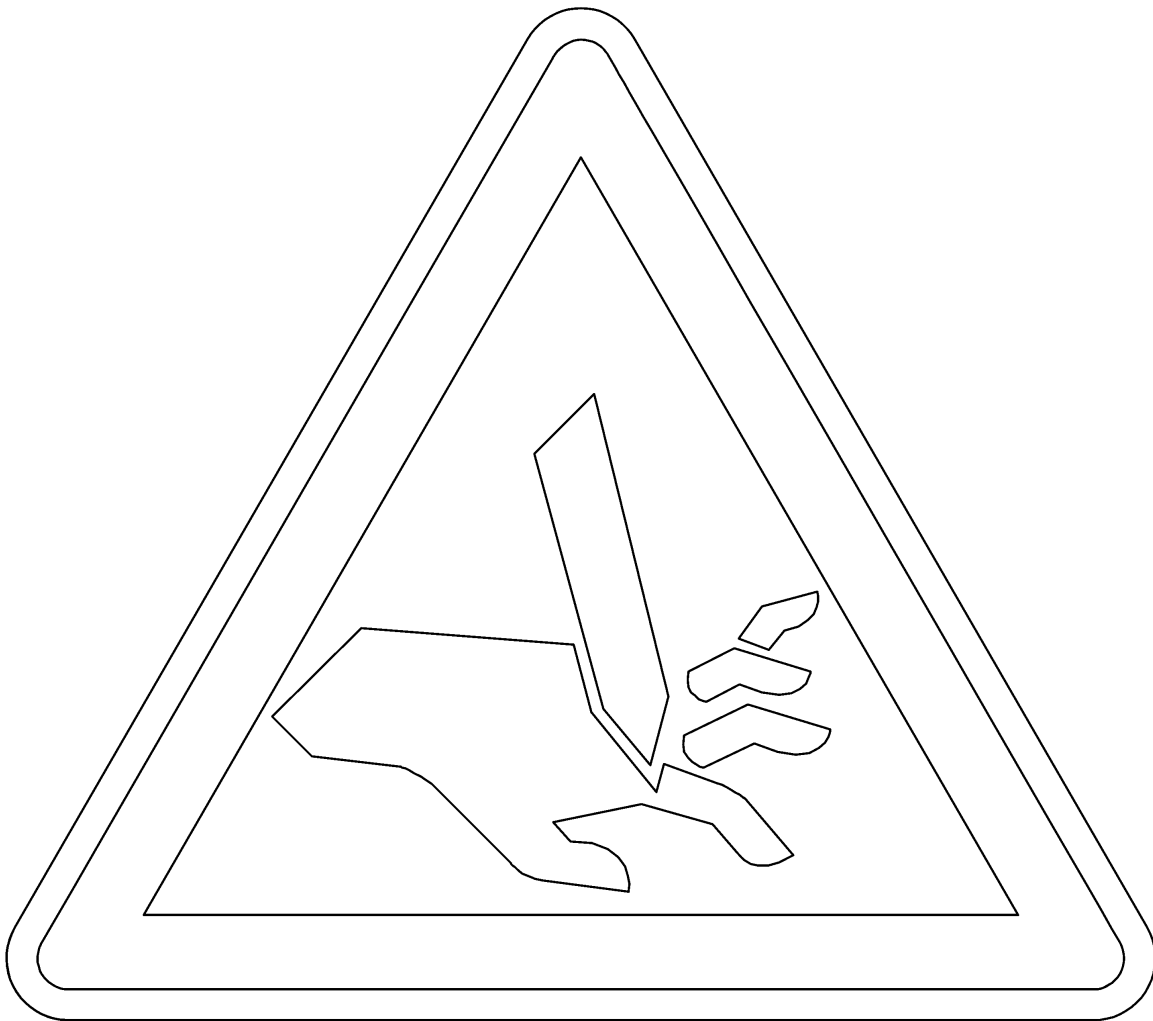
Plates

Material No.	Qty	Material description
38017656000	1	Warning plate


	available for order	Wear part	Recomm. sp. part	Metr. relevance
---	---------------------	-----------	------------------	-----------------

Plates

38074016000

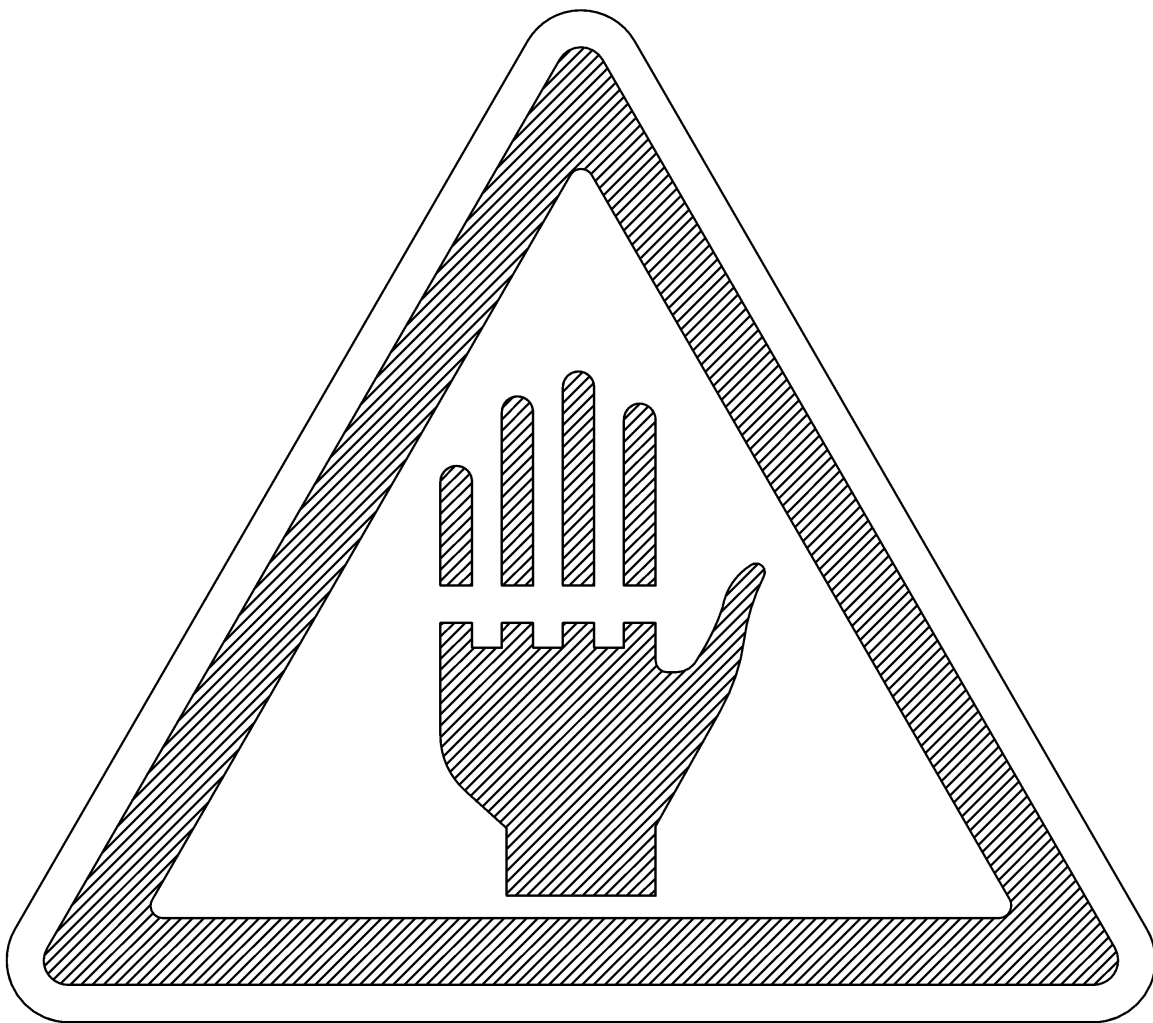


Plates


Material No.	Qty	Material description	available for order	Wear part	Recomm. sp. part	Metr. relevance
38074016000	1	Warning Label Danger of Cuts SL50mm				

Plates

38075271000



Plates


Material No.	Qty	Material description	available for order	Wear part	Recomm. sp. part	Metr. relevance
38075271000	1	guide sign risk to cut BRA				

Plates

38079377000



Plates

Material No.	Qty	Material description	available for order	Wear part	Recomm. sp. part	Metr. relevance
38079377000	1	Warning Label max Product weight				


Plates

38100974000



Plates

Material No.	Qty	Material description
38100974000	1	GS-Label Dim.2 NV 18011 / VSI

	available for order
	Wear part
	Recomm. sp. part
	Metr. relevance


Plates

38155536000

38155536000

Made in Germany

Plates


Material No.	Qty	Material description	available for order	Wear part	Recomm. sp. part	Metr. relevance
38155536000	1	Plate Made in Germany 60x10				

Plates

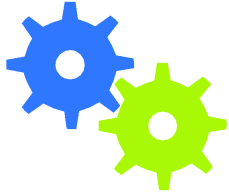
38175831000



Plates

Material No.	Qty	Material description	available for order	Wear part	Recomm. sp. part	Metr. relevance
38175831000	1	GS-Label Dim.2 NV 21123 /VSI F, VSI F T				

Plates




38178095000

d= 1g

Max 2kg

Plates

Material No.	Qty	Material description	available for order	Wear part	Recomm. sp. part	Metr. relevance
38178095000	1	Sticker identification scale 1g 2kg				

Plates

51488600000

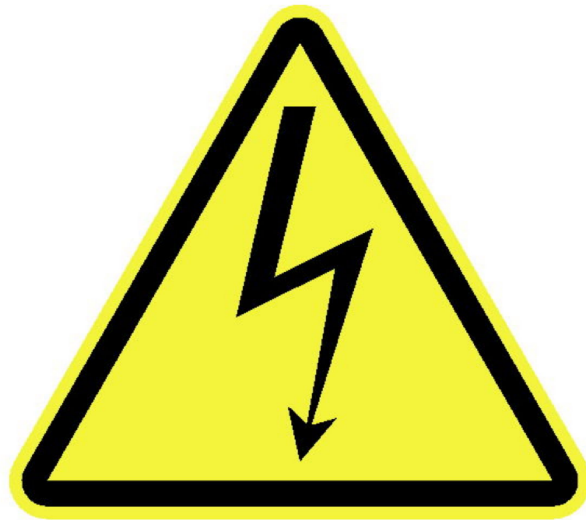


Plates


Material No.	Qty	Material description	available for order	Wear part	Recomm. sp. part	Metr. relevance
51488600000	1	Warning Plate Hand Injury 7.29K				

Plates

51977600000



Plates

Material No.	Qty	Material description	available for order	Wear part	Recomm. sp. part	Metr. relevance
51977600000	1	Warning plate with danger arrow 50				

Plates


60804801200

SHARPEN AND LUBE DAILY

1. clean and dry blade
2. set sharpener to 1 for 30 seconds
3. then position 2 for 3 seconds


damage from neglect not covered under warranty

Plates


Material No.	Qty	Material description	available for order	Wear part	Recomm. sp. part	Metr. relevance
60804801200	1	Reference plate "Sharpen and lube daily"				

Plates

94009990000

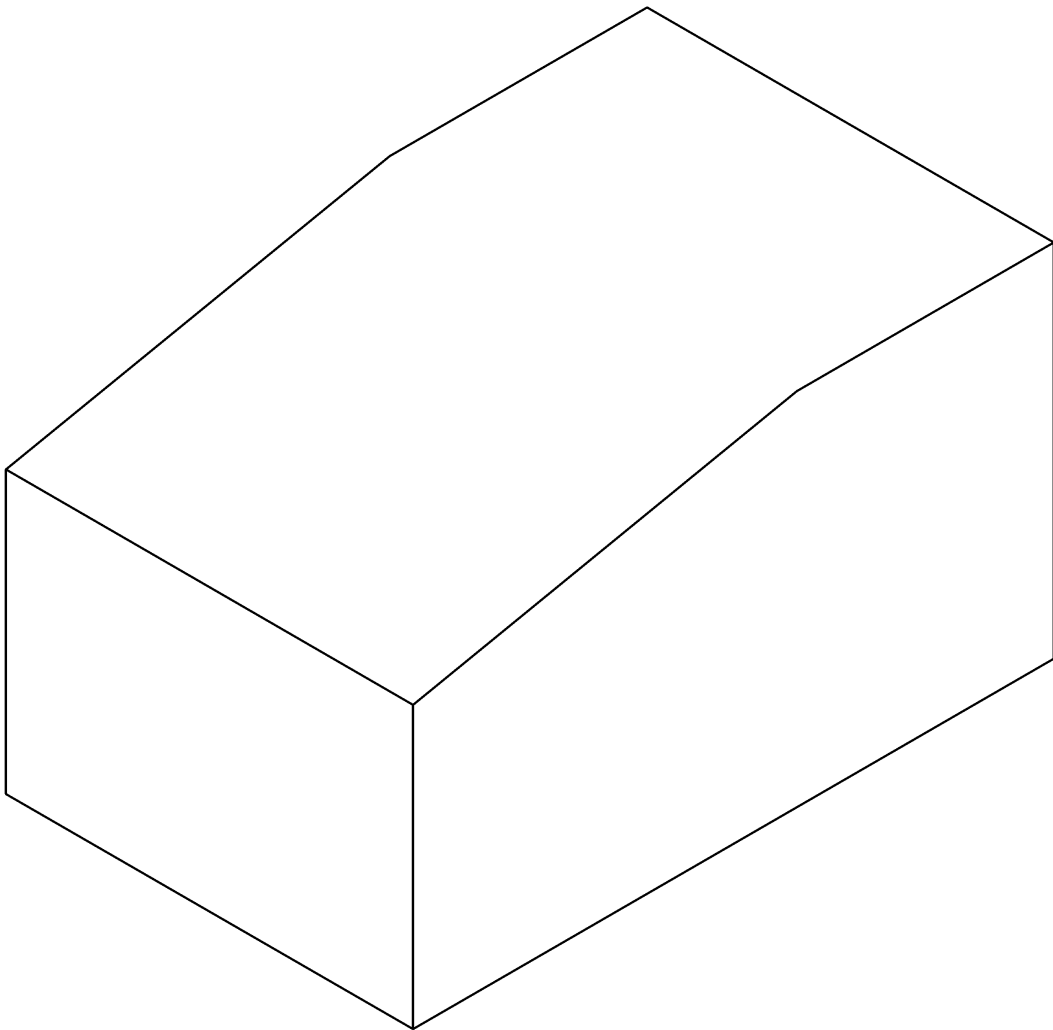
 **Bizerba Hotline**
T 07433 12-1300

Plates

Material No.	Qty	Material description	available for order	Wear part	Recomm. sp. part	Metr. relevance
94009990000	1	Machine sticker Hotline 1020 (70x30)				


Accessories

38083015000

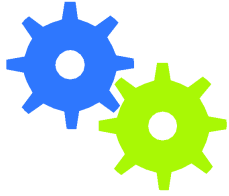


Accessories

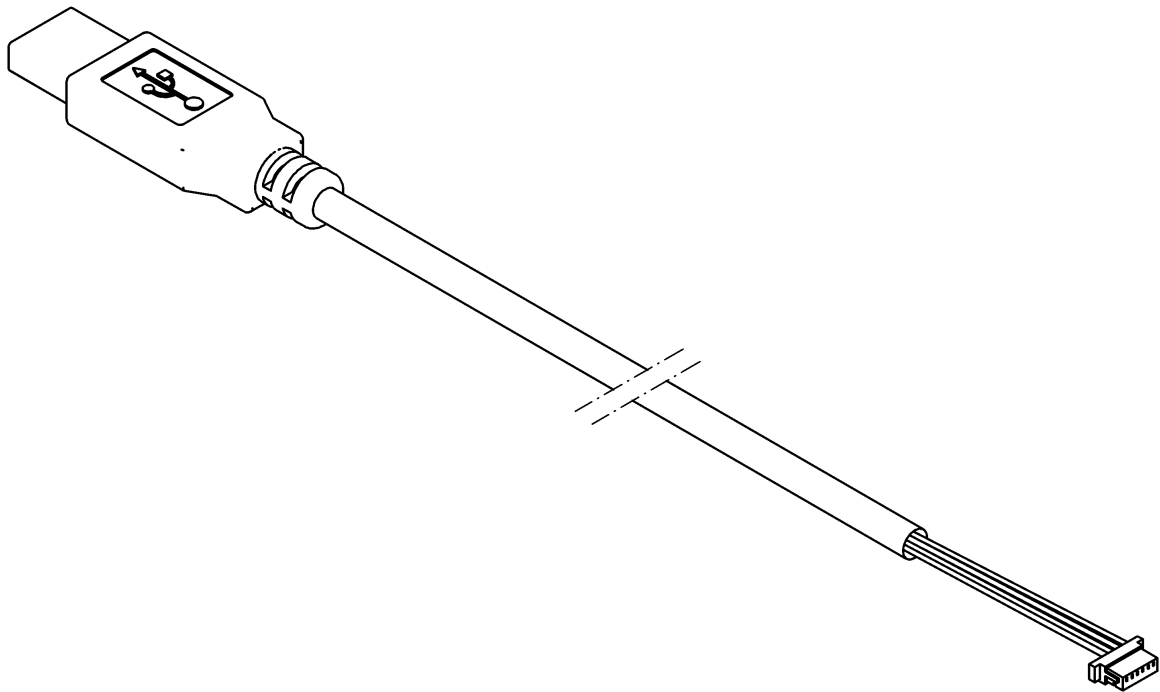
Material No.	Qty	Material description
38083015000	1	Protective Hood VSI

	available for order
	Wear part
	Recomm. sp. part
	Metr. relevance

Accessories



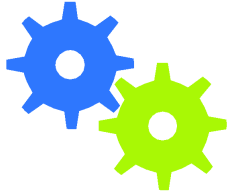
38086259000



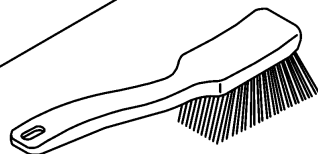
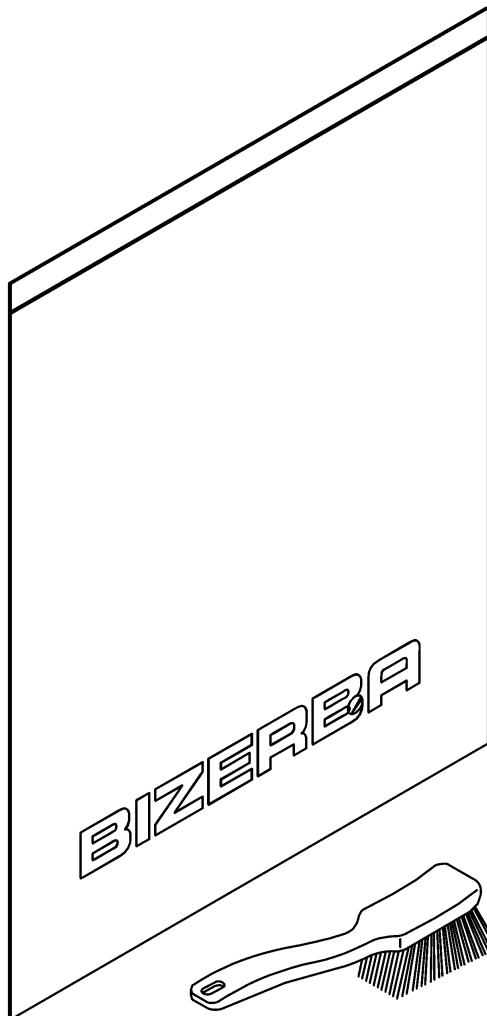
Accessories

Material No.	Qty	Material description	available for order	Wear part	Recomm. sp. part	Metr. relevance
38086259000	1	VSI calibration touch controller				

Accessories



38201391000

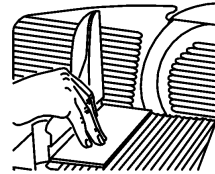


BIZERBA

Vor dem Schleifen Messer abwischen und Schnittstärke „8“ einstellen. Diesen Papierfz auf den Schlitzen legen und einen Streifen abschneiden, um Messerface restos von Fett zu säubern.


Clean the knife before sharpening and adjust slice thickness to „8“. Put this paperfelt on the carriage and cut a strip in order to thoroughly clean the knife-edge.

Avant d'affûter, essuyer le couteau et régler sur l'épaisseur de tranche «8». Poserie carton sur le chariot et en couper une bande de façon à débarrasser le biseau de toute trace de graisse.

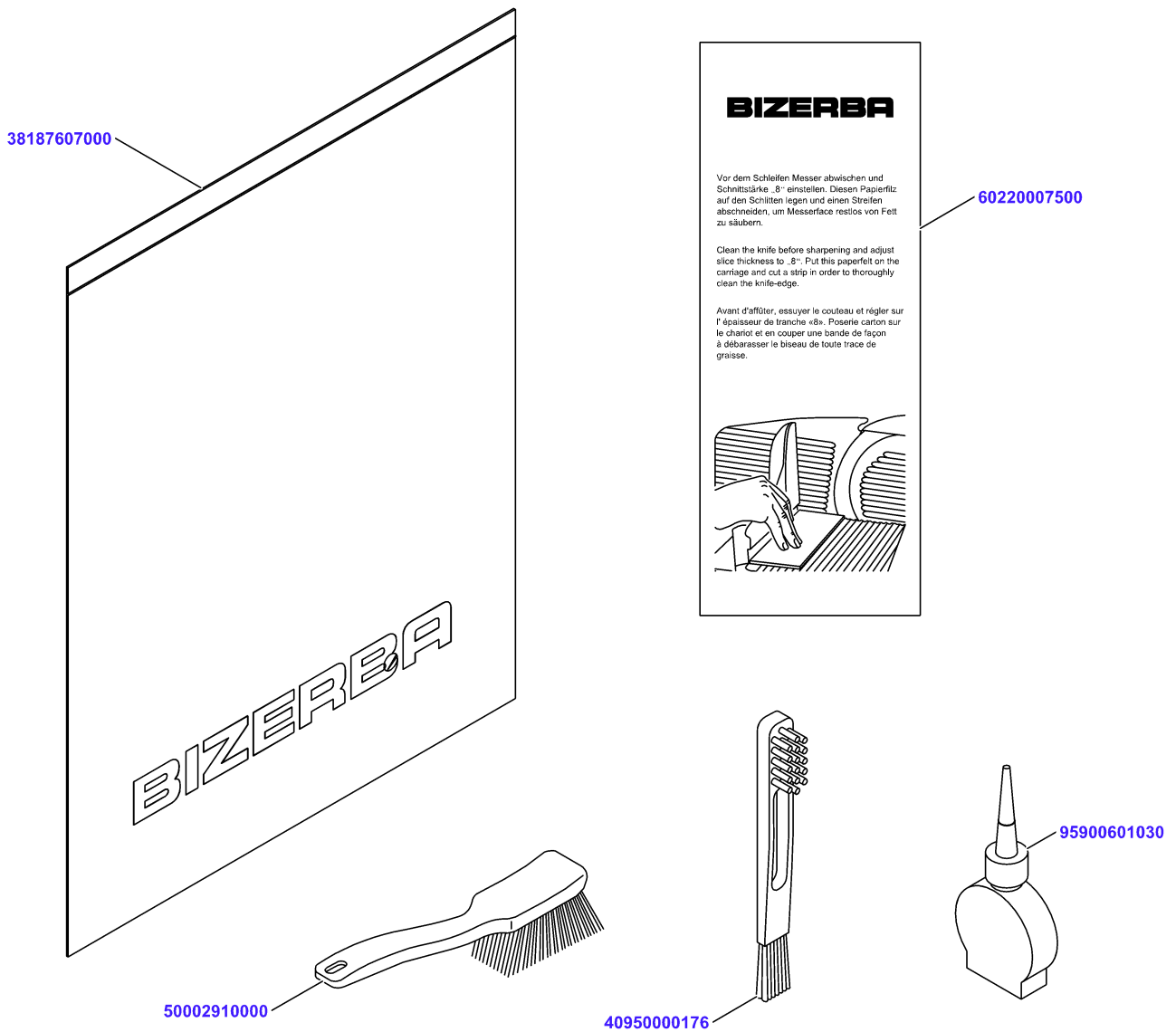


Accessories

Material No.	Qty	Material description
38201391000	1	Accessories Kit for automatic Slicer

	available for order
	Wear part
	Recomm. sp. part
	Metr. relevance

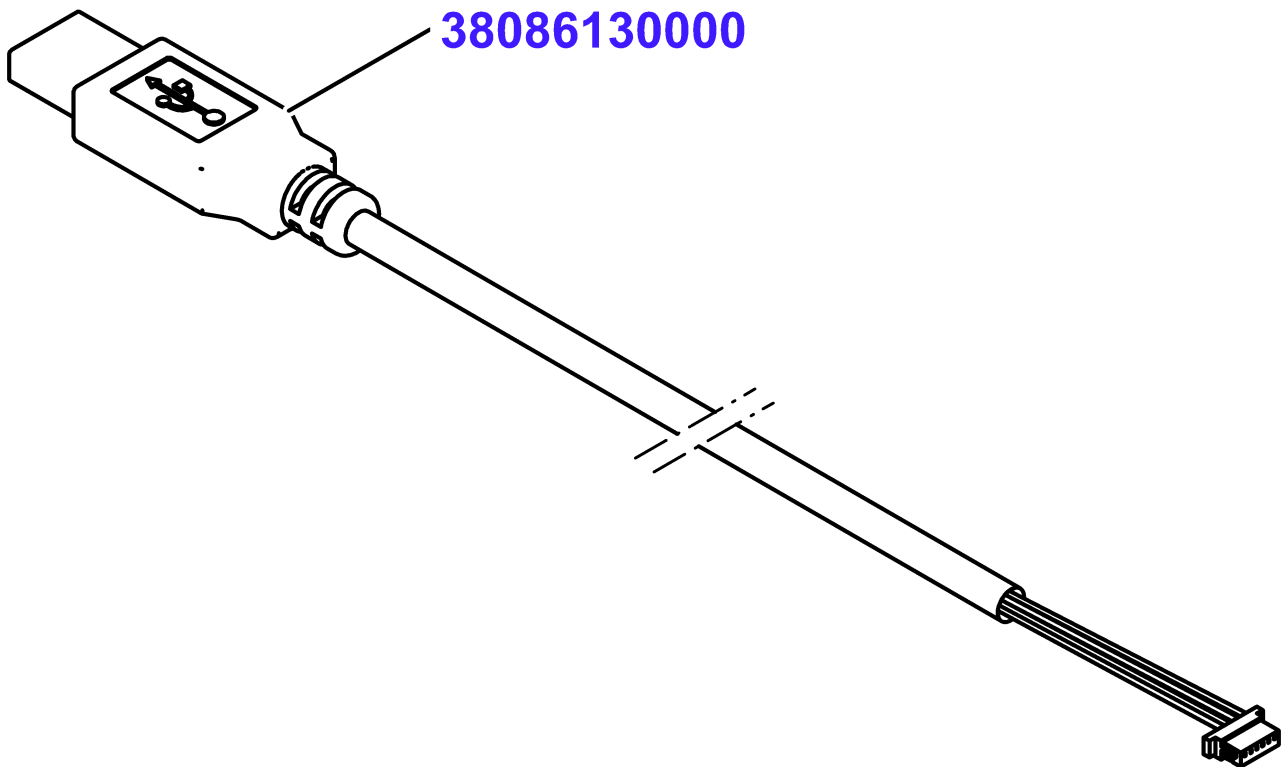
Accessories Kit for automatic Slicer



Accessories Kit for automatic Slicer


Material No.	Qty	Material description	available for order	Wear part	Recomm. sp. part	Metr. relevance
38187607000	1	Protective bag 400x300				
95900601030	1	Machinery oil H1 30ml				
40950000176	1	Brush 160x16				
60220007500	1	Paper Felt				
50002910000	1	Hand Brush 6-Row 110X290X30				

VSI calibration touch controller



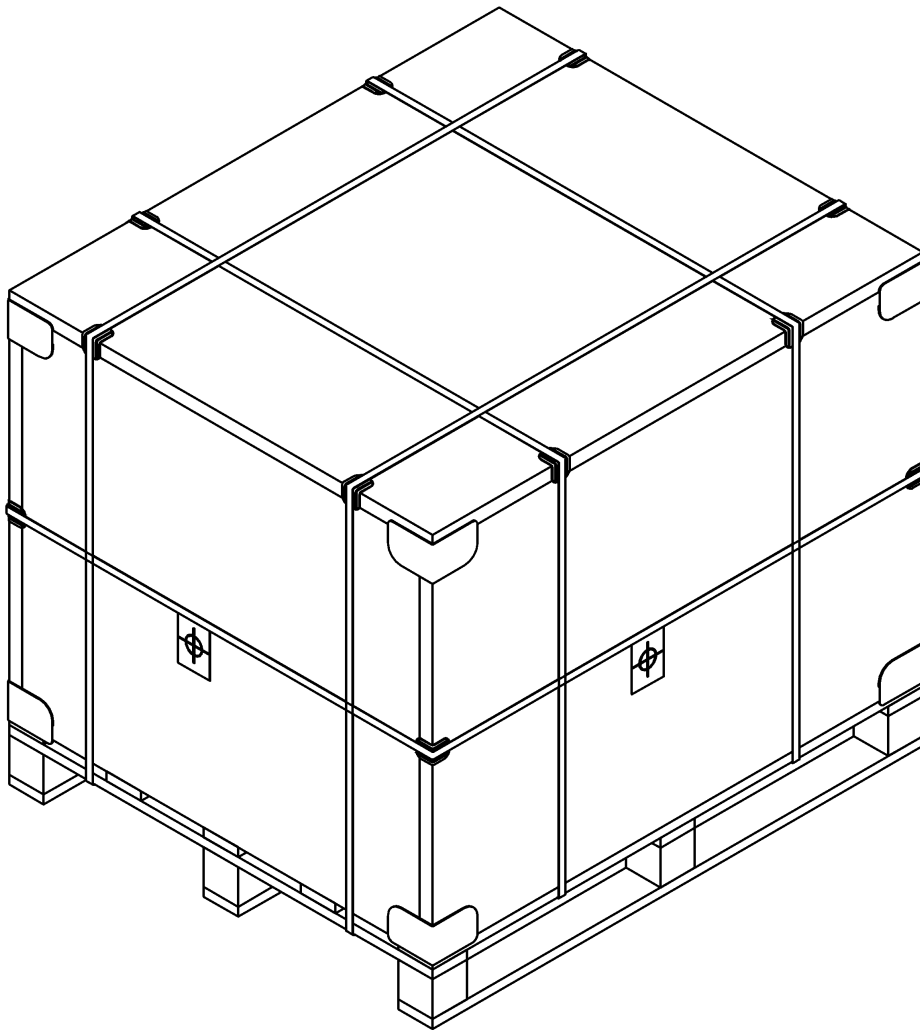
VSI calibration touch controller

Material No.	Qty	Material description
38086130000	1	Ka Rd 4xAWG28 0,25m

	available for order
	Wear part
	Recomm. sp. part
	Metr. relevance


Packaging

38019528002



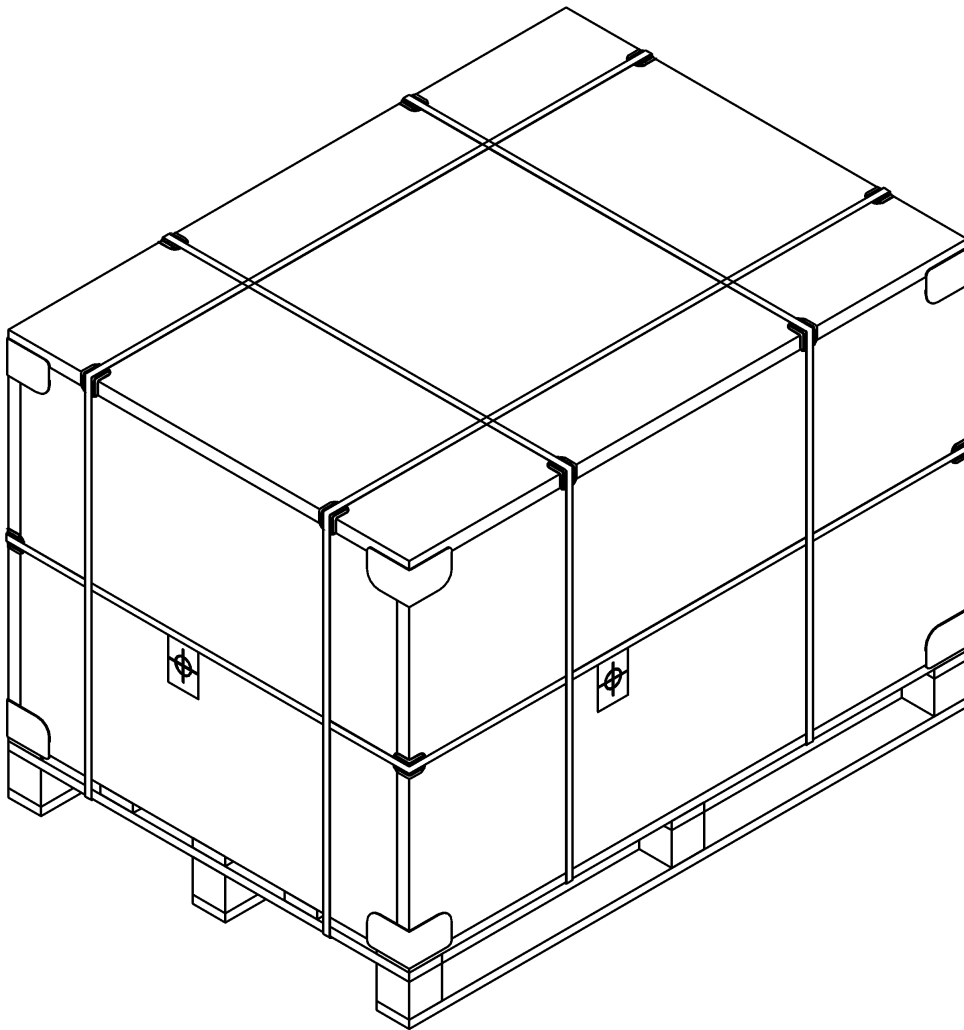
Packaging

Material No.	Qty	Material description
38019528002	1	Packing VSI short

	available for order
	Wear part
	Recomm. sp. part
	Metr. relevance


Packaging

38019533002



Packaging

Material No.	Qty	Material description
38019533002	1	Packing VSI long

	available for order
	Wear part
	Recomm. sp. part
	Metr. relevance

Index

Material No.	Material description	Page
38000471000	Cover Motor Tower	71, 93
38000944000	Shim ring DIN988-14x20x0,15	599
38001641000	Ka Li BK 1qmm 0,080m	19, 23, 27, 31
38002106000	Shoring bolt	133
38003999001	Stand mobile VSI cpl	633
38004459000	Loctite 648	201, 203, 205, 211, 213, 267, 273, 277, 295, 301, 305, 505, 603, 639, 649
38006437000	Lock nut DIN985-M3-A2	591
38006643000	Plain bearing 10x12x12	277, 305
38007001001	Axis 18x342	311, 339, 367, 393, 419, 449
38007390001	Holder welded	267, 295
38007397000	Cantilever welded	267, 295
38007856002	Latch 17x50,5x30,4	191, 193
38007880000	washer	191, 193
38007882000	thrust washer	191, 193
38007909001	Fixing bolt	201
38008010001	Plate 41x26x8	127
38008439000	Sealing washer M6	255, 283, 311, 339, 367, 393, 419, 449
38008604000	Cover disc 18x8	625, 629
38008682000	cover disc long	625
38008889001	Mounting Plate cpl	605
38009292001	Slider prem	557
38009448003	Distance Bolt 10/12x65,5 M12x1-M5	199
38009593001	Axis	213
38009906000	handwheel	627, 631
38009954000	bearing bolt	627
38009954001	Bearing bolt KU - 22x27,7	631
38010209000	Stop - Verwendung entfallen	625
38010259000	UVV Sharpener preass. GSP	625
38010259001	Sharpener preassembled UVV VSP/GSP/VSI	629
38010304000	Washer	627, 631
38010548000	Housing	627, 631
38010783000	pressure washer	213
38010816000	Flat spring 29,5x10x0,6	627, 631
38010963000	Wiper ring 20x12x4	519, 531
38010967000	Sealing	63, 87, 487
38010980000	pressure spring	627, 631
38010995001	pressure spring	627, 631
38011230000	Board cpl	259, 289, 315, 345, 371, 399, 423, 455
38011932000	adjusting ring 18mm	213
38011966001	Distance bolt 10x60 M6-M6 In-Out	57, 81
38012119000	CANopen-Compact-Bus-Coupler BK5150	613
38012534004	Bearing bracket cpl	209
38012558000	Hexagon nut DIN439-M6-A2	627, 631
38012566003	Motoric Slicing Thickness Adjustment	211
38013117004	Terminal Front preassembled VSI	589

Index

Material No.	Material description	Page
38013120001	switch gauge cleaning assembly	219
38013121001	switch gauge sharpen assembly	219
38013233000	Support	597
38013665005	Ka Rd 12x24AWG 0,87m	269, 297, 325, 353, 379, 405, 431, 461
38014190000	Retaining washer S6-A2	65, 89
38014261002	Handle preass.	269, 297, 325, 353, 379, 405, 431, 461
38014393001	Plate EAC mark	693
38014495000	Patchcable Cat 5e U-UTP UL 1,5m	579
38014989000	Sticker "See instruction manual"	695
38015379002	Cover preass.	487
38015827000	Contactora 100V 1C	27
38015882000	Product Holder Guide	271, 299
38015887001	Side Cover left	271, 273, 299, 301
38015888001	Side Cover right	271, 273, 299, 301
38016222002	Bar	273, 301
38016484000	Cradle Clip C3	19, 23, 27, 31, 57, 81, 99
38016488000	Retaining Ring R3	19, 23, 27, 31, 57, 81, 99
38016956002	Beam with studs	219
38017656000	Warning plate	697
38017809000	Flexcable FFC 20pol 342mm	483
38018276000	Shim ring DIN988-30x42x0,2	131
38018499000	Thread Bolt	483
38018660001	Magnet preass	269, 297, 325, 353, 379, 405, 431, 461
38019042000	Ka Li BK 0,200m	573
38019528002	Packing VSI short	731
38019533002	Packing VSI long	733
38019687000	Location bolt HD 16x10,9 K	201
38019763000	Comp. spring 28x24,8x68,5x11,65-0,89	213
38019897002	Plastic roller cpl	549
38021201000	Wing screw M6x10-1.4308	267, 295
38021669000	Threaded flange bolt	597
38022819000	Mushroom head bolt DIN603 M6x40-A2-70	599
38022882001	Connecting Rod preass	599
38022925005	Bearing bracket preass	213
38022965003	Power Supply 220-240V cpl	11
38022969000	Motor horizontal cpl	505
38022973000	Motor vertical cpl	511
38023142003	Power Supply 100-120V cpl	13
38023437000	Grooved Ball Bearing 608 2RSVA with Barr	549
38023683000	Thermal Pad 38x52x0,2 pink	21, 25, 29, 33
38023711001	Toothed Belt STS 200 HP S5M 1000 NG	137, 227, 231
38023714000	Grooved ball bearing DIN625 8x22x7	505, 511, 521, 533
38023814000	Belt pierced	519, 531
38025716000	stop pin	179, 183
38025717003	Blade Removing Bolt preassembled	179, 183
38026188000	Plain bearing 18x20x15	277, 305

Index

Material No.	Material description	Page
38027530000	Plain bearing 12x14x15	509, 519, 531
38028810000	adjusting bolt	205
38029152000	seal CT501	577
38029603000	Protective plug 7x3,2x1,3-PE	515, 529
38030419000	thrust washer	65, 89
38030684000	Oval-head screw ISO14583 M5x40-A2-70-T25	529
38031197001	Thread Bolt M4	55, 67, 69, 79, 91
38032111003	Lever	219
38033279003	Fixing Block	215
38033783001	Torsion Spring 13,4x5,1x1,2x15/20	435, 465
38034181000	Driver premounted	215
38036025000	Motor VS 12 DRS 100V/50HZ thermal prot.	135
38036193002	Cylinder screw DIN912 M10x30-A2-70	209
38038401000	washer	329, 357, 383, 409, 443, 473
38038403001	Bushing 19,1x10,7x5	329, 357, 383, 409, 443, 473
38038982000	Gripper Shaft cpl.	279, 307, 327, 355, 381, 407, 479
38038989000	Gripper Shaft cpl.	279, 307, 327, 355, 381, 407, 479
38038997000	Gripper Shaft cpl.	279, 307
38042122001	Bolt	517
38042975000	Bushing	517
38043011000	Torsion Spring	549
38044136001	Handle with screw M6 x 14,75	323, 351, 377, 403, 429, 459
38044231000	Protection Cap Flangehousing	57, 81
38045862000	Toothed washer DIN6797-A 6,4-A2	67, 69, 91
38047246000	Protective plug 15x8x6,9-PE	103, 125, 127
38047482001	Holder cpl.	19, 23, 27
38048022000	Parallel key DIN6885-A 5x4x20	521, 533
38048104000	Oval-head screw ISO14583 M3x4-A2-70-T10	581, 589
38048118000	Oval-head screw ISO14583 M6x20-A2-70-T30	503, 541
38048121000	Oval-head screw ISO14583 M6x30-A2-70-T30	631
38048122000	Oval-head screw ISO14583 M6x40-A2-70-T30	625, 629
38048258000	Cylinder screw ISO14579 M8x20-A2-70-T45	53, 77
38049335000	Thermal Pad	21, 25, 29, 33
38049597001	Top Hat Rail L250	615
38050013007	Bearing Pedestal	135
38050314000	Support motortower cpl	53, 77
38050679005	Motor Long Carriage BG75x75	137, 227, 231
38050732004	Depositing Arm Lever cpl.	597
38050845000	Deflector Ring	271, 299, 329, 383, 443
38050845001	Deflector ring 25x20,2x7	357, 409, 473
38051051003	Motor Table Horizontal BG42x15	507
38051052003	Motor Table Vertical BG42x15	513
38053261005	Actuator 142x12f7	521, 533
38053262004	Guide 151x20	521, 533
38053264001	Spacer Ring	521, 533
38053881002	Bolt 14f8 x 48	489

Index

Material No.	Material description	Page
38053882002	Eccentric Bolt 15f8 x 48	485
38053903002	Clamping Plug	483
38053906004	Guide rail 28 x 15 x 400	483
38053907002	eccentric	483
38053929003	Stop Bolt	269, 297, 325, 353, 379, 405, 431, 461
38053930002	Shaft 12f7 x 115	483
38053933002	Pin	519, 531
38053945001	Board	259, 289, 315, 345, 371, 399, 423, 455
38053947001	Mounting with Shaft	267, 295
38053948002	Flange	257, 287, 313, 343, 369, 397, 421, 453
38053972002	Guide Rail 400er	257, 287, 313, 343
38054000001	Tensioning roller 18 x 9 x 8H11	519, 531
38054012003	Pin	519, 531
38054013002	tightening sheet metal	519, 531
38054042001	Clamping plate	519, 531
38054087002	Mounting Bracket	65, 89
38054089002	cover inside	63, 87
38054098002	Seal	63, 87
38054179000	Set screw DIN438 M8x10-A2-70	273, 301, 329, 357, 383, 409, 443, 473
38054234003	Sealing	491
38054302000	Gasket	265, 285, 321, 341, 375, 395, 427, 451
38054363001	Guide roller cpl	227
38054363002	Guide roller cpl	137, 231
38054421003	Motor flange	505, 511
38054461000	Plate	265, 285, 321, 341, 375, 395, 427, 451
38054613002	clamp piece	519, 531
38054614001	shaft	519, 531
38054676002	rail	511
38055215003	Bolt	557
38055277004	Flange	505
38055298006	Plate	553
38055378004	Hexagon nut	269, 297, 325, 353, 379, 405, 431, 461
38055565003	Switch Rod long	527
38056198003	Bearing Bushing preass	599
38056697005	Depositing arm cpl	601
38056916001	stop cpl	599
38057018000	Protective cap AK22RRSW	575
38057041000	Set screw ISO4026 M6x30-A2-70	211, 511
38057349003	Worm	507, 513
38057360002	Bolt cpl	273, 301
38057374000	Hexagon nut ISO7042-M10-St	209
38057528001	Cover 255,4x177,4x2	257, 287, 313, 343
38057534003	Guidance preass.	505

Index

Material No.	Material description	Page
38057548001	Seal	259, 289, 315, 345, 371, 399, 423, 455
38057559001	Seal Cover	257, 287, 313, 343
38057598000	Ka Li GN/YE AWG18 0,22m	55, 79
38057643002	Plate	125, 127
38057723003	Cover 378x119,1x2	369, 397, 421, 453
38057735002	Guide Rail 600er	369, 397, 421, 453
38057740001	Seal long	369, 397, 421, 453
38057747001	threaded pin M12x1	213
38057764007	Terminal Mounting Kit top cpl.	561
38057765005	Terminal Front cpl.	563
38057765006	Terminal Front cpl. VSI	565
38057976000	K-Bus Termination Fitting KL9010	613
38058121002	Bolt 15 x 25	137, 227, 231
38058149000	2-Channel Digital Output Terminal 24VDC	613
38058151000	2-Channel Digital Input Terminals 24VDC	613
38058233000	hexagon nut M10	509
38058289002	Sealing	59, 83
38058901002	Sealing	487
38058905002	Cover	487
38058937002	Drive vertical	503
38058938003	Drive horizontal	503
38058939003	Drive Table cpl	493
38058974001	Tappet	551
38058976006	Slider Mounting cpl	551
38058991000	Slider cpl	551
38058995003	Bushing	549
38059010003	Catching Bolt	57, 81
38059015006	Slider Mounting	553
38059167000	Comp. spring 9,5x7,7x43x13,49-0,86	557
38059616003	Terminal Front and CPU	577, 579
38059616004	Terminal Front and CPU VSI	585, 587
38059871001	Gasket	139, 229, 233
38060032001	Sealing	61, 85
38060110003	Setup preass.	115
38060116002	Cover Drivehousing prem	55, 79
38060163002	Sealing	257, 287, 313, 343, 369, 397, 421, 453
38060260002	Frame with Installation Bars	121
38060298004	Cover 472x557	123
38060313005	Cover prem.	121
38060321002	Sealing	123
38060561000	Screw seal M6	115
38061178002	Belt Pulley S3M Z15 cpl	521, 533
38061363001	Cover Motor Tower prem	67, 69, 91
38061364002	Sealing	71, 93
38061502003	Holder	273, 301
38061585002	sealing	257, 287, 313, 343, 369, 397, 421, 453

Index

Material No.	Material description	Page
38061640001	Mounting welded	323, 351, 377, 403, 429, 459
38061810001	Screw Nut	273, 301
38062047012	Frame cpl. VSI	549, 551
38062109001	Distance Piece	549
38062958001	Spacer	419, 449
38062959002	Angle	419, 449
38063150004	Ka Rd 5G0,5 1,65m	573
38063163003	Ka Rd 4x0,14 1,30m	613
38063164003	Ka Rd 4x0,14 1,15m	617, 619
38063176002	Ka Rd 4x0,14 0,66m	75, 97
38063180003	Ka Rd 4x0,14 1,05m	75, 97
38063189004	Ca Rd 2x0,75 0,29m	75, 97
38063227003	Ka Rd 8x2x0,14 0,50m	75, 97
38063233002	Ka Rd 2x0,75 0,77m	75, 97
38063236004	Ka Rd 3x2x0,25 1,35m	573
38063237004	Ka Rd 2x2x24AWG 0,87m	75, 97
38063238003	Ka Rd 2x2x24AWG 0,29m	75, 97
38063240003	Ka Rd 2x2x24AWG 0,15m	613
38063245003	Ka Rd 4x0,14qmm 0,70m	617, 619
38063248003	Ka Rd 2x0,34 1,05m	75, 97
38063249007	Ka Rd 2x2xAWG26 0,38m	75, 97
38063261002	Sensor product feeding 1 VSI	259, 289, 315, 345, 371, 399, 423, 455
38063262003	Sensor product feeding 2 VSI	259, 289, 315, 345, 371, 399, 423, 455
38063351002	Screw	209
38064354002	Gauge plate base preass	209
38064470008	Gauge plate drive VSI cpl	207
38064488002	Connector ribbon cable	63, 87
38064575002	Carry Handles Set VSI	41
38064629002	Motor cpl	131
38064681005	Depositing Drive cpl	595
38065411000	Clamp cpl	135
38065468002	Belt Pulley Z 42 HTD 3M	541
38066055001	tube	65, 89
38066374001	Chain	551
38066532000	Cable set standard	53, 77
38066789001	USB-Socket RRJ USB 0.28m	575
38066866001	Tappet	131
38067026001	Depositing Magnet	597
38067150000	Patchcable 3,0m CAT6a AWG27 halogen-free	567
38067162000	Patchcable 5,0m CAT6a AWG27 halogen-free	569
38067253003	Stop	487
38067775000	Blade 330 C Slayer	143
38067777001	Blade 330 C Slayer Service	145
38067989000	O-ring 58,42x2,62 NBR	133
38068508001	Adaption bolt	213
38068570004	Hexagon Screw M16xM10x30	485

Index

Material No.	Material description	Page
38068904003	Housing, display 260,4 x 161,3 x 80,3	575
38069023001	Holding Block	491
38069426002	flange	137, 227, 231
38069427002	Traverse	137, 227, 231
38069450003	Mounting Kit top cpl	573
38069941000	O-ring 13x2 NBR	517
38069969000	Ca Stw BK AWG18 0,160m	19, 23, 27
38070066001	Cover	57, 81
38070080000	Washer	259, 289, 315, 345, 371, 399, 423, 455
38070090000	Sealing	259, 289, 315, 345, 371, 399, 423, 455
38070559002	Handle preass	105
38070606000	Cover prem	57, 81
38070612003	Beam preass	211
38070669001	lever	219
38070671002	Support rail	211
38070904002	Spacer	211
38071042000	Hexagon screw DIN933 M5x25 A2-70	273, 301, 333, 361, 387, 413, 447, 477
38071078000	bar	277, 305
38071104001	Bottom Plate with Installation Bars	117
38071144001	Mounting Plate	615
38071145001	Protection Plate	67, 69, 91
38071250000	Nut	625
38071339002	Handle long preass	105
38071862000	brake pad	279, 307, 327, 355, 381, 407, 479
38072057000	Washer DIN125-A-4-PA6	259, 289, 315, 345, 371, 399, 423, 455
38072286002	Sealing	117, 121
38072508000	O-ring 10x1,5 NBR	559
38073996000	Distance bolt SW7x6 M4-M4 In-Out	259, 289, 315, 345, 371, 399, 423, 455
38074013000	Shim ring DIN988-25x35x0,1	257, 313, 369, 421
38074016000	Warning Label Danger of Cuts SL50mm	699
38074167000	Contacto 220-240V/40-450Hz B7-30-10	19
38074236000	Contacto 110-127V/40-450Hz B7-30-10	23
38074301000	Buffer 20xM6x23-I	535
38074338000	Thermistor NTC 5 Ohm 20% 6,7W 9,5A	19, 23, 27
38074804000	Ca Rd 2x0,5qmm 0,45m	19, 23, 27
38074804001	Ca Rd 2x0,75qmm 0,45m	31
38074856000	Feeder Adapter	441, 471
38075057000	Hexagon Screw DIN 933 M6x45-A2-70	213
38075271000	guide sign risk to cut BRA	701
38075543000	Mounting Pin	273, 301, 329, 357, 383, 409, 443, 473
38075547000	Parallel Pin 8x15	273, 301, 329, 357, 383, 409, 443, 473
38075827000	Clip Ferrite 4,5-8mm	19, 23, 27

Index

Material No.	Material description	Page
38077052000	Screwless End Clamp	19, 23, 27, 613, 615
38077279000	Disk	199
38077330002	Cover disk 35f8x26x1,5	485
38077332003	Thrusted washer 13,8x8,2x0,18	125, 127, 199, 549
38077348000	Disk	199
38077825000	Shim ring DIN988-3x6x0,2	597
38077829000	Shim ring DIN988-3x6x0,1	597
38077837000	Brake Pulley	199
38077867000	Magnet Base	273, 301, 329, 357, 383, 409, 443, 473
38078017000	Knurled Nut M10	209
38078110000	Washer	209
38078138000	Set screw ISO4026 M10x60	209
38078241000	Gear Wheel	257, 287, 313, 343, 369, 397, 421, 453
38078714000	Ca Rd 2x0,75qmm 0,38m	19, 23, 27
38078918000	Hexagon Screw M4x8 A2-70 rounded head	549
38079008001	Screw Plug Machine Housing cpl	43
38079079000	Driver	549
38079377000	Warning Label max Product weight	703
38079863001	Castor cpl	649
38079967000	Option I/O-Module	607
38080079000	I/O M12 Connector	613
38080235000	Thread Bushing M30 x 40 x M24	639, 649
38080336000	Blade 330 Cr Chiaravalli Service	147
38080797000	Star Knob	559
38080991001	Shaving Deflector	545
38082171000	Fastening Clip 3mm closed metal	55, 79
38082384000	Carriage Plate 400 preass	255, 283
38082423000	Clamping plate	559
38082427000	Carriage Plate 400 preass	311, 339
38082431000	Carriage Plate Template preass	367, 393, 419, 449
38082477001	Carriage 600 cast machined	369, 371, 421, 423
38082477002	Carriage Carrier 600 machined	397, 399, 453, 455
38082541001	Carriage 600 cpl.	367, 419
38082541002	Carriage 600 premounted	393, 449
38082643004	Stand mobile cpl	635
38082662004	Stand welded	639, 649
38082722002	Carriage 400 Cast machined	257, 313
38082722003	Carriage Carrier 400 machined	289, 345
38082723001	Carriage 400 cpl	255, 311
38082723002	Carriage 400 premounted	283, 339
38082937000	Lever compl for the Product Holder	271, 299
38082945001	Product Holder folding upwards preass.	255, 283
38082955000	Product Supporter horizontal cpl	255, 283
38083015000	Protective Hood VSI	721
38083128001	Shaft preassembled	559
38083132001	Product Holder cpl. VSI	237, 311, 339, 367, 393

Index

Material No.	Material description	Page
38083154002	Lever	645, 651
38083162002	Product Supporter top NSF cpl	311, 339, 367, 393, 419, 449
38083190001	Lever cpl.	643, 649
38083207002	Stand stationary cpl	637
38083256000	Protective plug 17,1x16,2x8-PE	199
38083947000	Distance bolt SW7x45 M4-M4 In-Out	19, 23, 27, 31
38084240002	Helical Gear Wheel preass.	505, 511
38084720001	Option Scale Terminal top cpl	609
38084720002	Option Scale Terminal top cpl	611
38084852000	Power Connection Cable AC EURO L2,5m cpl	655
38084853000	Power Conn. Cable USA CAN cpl	657
38084853001	Power Connection Cable USA CAN cpl.	659
38084890000	Cap preass	269, 297, 325, 353, 379, 405, 431, 461
38086126000	Motor Product Feeding BG42x15 cpl	259, 289, 315, 345, 371, 399, 423, 455
38086130000	Ka Rd 4xAWG28 0,25m	729
38086177000	Covering Cap Set Carry Handles	45
38086202002	Name Plate VSI	687
38086259000	VSI calibration touch controller	723
38087414000	metal sheet insert cpl mach	419, 449
38087470000	Ka Li GN/YE AWG18 0,5m	115, 119
38087604000	Connector Metal Bayonett RJ45 Ethernet	57, 81
38088170000	Countersunk screw ISO14581 M4x10-A2-50-*	505, 521, 533
38088223000	Fastening Socket 9mm	67, 69, 91
38090248000	Magnet Vacodym 370 wz round 10x4 preass	273, 301, 329, 357, 383, 409, 443, 473
38091635000	Spirit Level preass	639, 649
38091672003	Power Supply 100V cpl	15
38091889000	Power Connection Cable UK cpl.	661
38091890000	Power Connection Cable AU cpl.	663
38091891000	Power Connection Cable BR cpl.	665
38092188000	Blade 330 Groove Cr G&B - Service	149
38093076000	Packaging Stand mobile VSI cpl	649
38093077000	Packaging Stand stationary VSI cpl	639
38093767000	Wave Washer 36x25,2x3	277, 305
38095246000	Cable Fixing cpl.	47
38097458000	Plain bearing 25x32x30	485
38097519000	Sleeve 18 x 10 x 24.25	259, 289, 315, 345, 371, 399, 423, 455
38098326000	Power Connection Cable CH cpl.	667
38098327000	Power Connection Cable AR cpl.	669
38099340001	Carriage Plate welded	265, 285
38099345001	Carriage Plate welded	321, 341
38099348002	Carriage Plate welded	375, 395, 427, 451
38099356001	Holder preass.	327, 355, 381, 407, 479
38099371000	Bearing rail preass.	277, 305
38099374010	Rubber Buffer	485
38099376001	Handle	265, 285, 321, 341, 375, 395

Index

Material No.	Material description	Page
38099376001	Handle	427, 451
38100135001	Flat Seal Carriage Plate 400	257, 287, 313, 343
38100136001	Flat Seal Carriage Plate 600	369, 397, 421, 453
38100408000	Product Holder cpl. Carriage guide ruler	419, 449
38100409000	Product Holder with guide feeder	441, 471
38100566000	Cable gland Skintop ST-M M16x1,5 black	679, 685
38100643003	Nameplate VSI F T BRA	691
38100974000	GS-Label Dim.2 NV 18011 / VSI	705
38100991000	Carriage Foot low hygienic mach	269, 297
38100993000	Carriage Foot high hygienic mach	325, 353, 379, 405, 431, 461
38101899000	Cap nut DIN986-M4-A2	179, 183, 577
38103271000	Packaging Stand mobile VSI cpl	643
38103321003	Blade Removal Device preassembled	175, 181
38103323001	Safety Disk 331,5x3	179, 183
38103348003	Blade removal device 330 V2A	177
38103372001	Cover	185
38103484000	Gear Wheel	257, 287, 313, 343, 369, 397, 421, 453
38103487000	Ring	263, 319
38103487001	Ring 12x20x15H7	293, 349, 373, 401, 425, 457
38103488000	feed spindle ass.	257, 313
38103488001	Feedspindle 521xTR20x12 ass.	287, 343
38104044000	Torsion spring left	329, 357, 383, 409, 443, 473
38104074001	Bolt NSF cpl	329, 383, 443
38104074002	Bolt NSF cpl	357, 409, 473
38104363000	Interlock	269, 297, 325, 353, 379, 405, 431, 461
38104587001	Feedspindle 721xTR20x12 ass.	369, 397, 421, 453
38104792000	Shim ring DIN988-10x16x0,1	549
38105040001	Product Holder Guide	329, 383, 443
38105040002	Product Holder Guide NSF	357, 409, 473
38105058001	Bushing 19,5/18x10,2x21	329, 357, 383, 409, 443, 473
38105330003	Ring plate	179, 183
38105347000	Parallel key DIN6885-A 5x3x14	257, 287, 313, 343, 369, 397, 421, 453
38105535000	Toothed belt 10 5x410	137, 227, 231
38105667001	Blade 330 1.4034 HCov 2M6 Slayer	151
38105849000	Cap nut-M6 -1.4404	63, 87, 227
38106157000	Sealing Gauge Plate with Stiffening Ring	209
38106534000	Seal ring 18x14x2	201
38106634000	Lock nut ISO10511-M4-A4	191, 193, 527, 573
38106851000	Power Connection Cable DK cpl	671
38106901000	Cover preassembled	181
38106905000	Centering Pin	185
38106967000	Distance Plate	179, 183
38107971000	Blade 330 Cr HCov 2M6 Chiaravalli	153
38107980000	Messer 330 HCov 2M6 Slayer Service	155
38109135000	Grooved nut M12 x 0.5	329, 357, 383, 409, 443, 473
38109636000	Shim ring DIN988-12x18x0,2	329, 357, 383, 409, 443, 473

Index

Material No.	Material description	Page
38109639000	Safety plate DIN5406-MB1	329, 357, 383, 409, 443, 473
38109705000	Shaft seal 12x18x3	329, 357, 383, 409, 443, 473
38110921001	Blade Bearing one-piece cpl.	131
38111007000	Blade Drive one-piece VSI cpl.	129
38111119000	Blade 330 1.4034 HCov 2M6 Slayer Service	157
38111166000	Blade 330 1.4034 HCov Slayer	159
38111167000	Blade 330 1.4034 HCov Slayer Service	161
38111287000	Push button "Off"	591
38111298000	Push button "On"	591
38112254002	Setup w. Service Cover preass.	119
38112257000	Washer 14.15x24x1	599
38112386000	Product Holder Guide NSF cpl	311, 367, 419
38112386001	Product Holder Guide NSF cpl	339, 393, 449
38112388000	Holder	333, 361, 387, 413, 447, 477
38112404000	Spacer plate 40x40x10	273, 301, 333, 361, 387, 413, 447, 477
38113203000	cover	329, 357, 383, 409, 443, 473
38113204000	Seal 47x40x1	329, 357, 383, 409, 443, 473
38113733000	Holder preassembled	329, 357, 383, 409, 443, 473
38114774000	Prog.+PCBA VSI Power Supply 230V + therm	19
38114778000	Prog.+PCBA VSI Power Supply 120V + therm	23, 27
38116739001	Carriage Foot low cpl.	255, 283
38116768000	Gas pressure spring carriage 400 cpl	255, 283, 311, 339
38116888001	Carriage 400 with Peaks	239
38116888002	Clamping Carriage VSI 400	241
38116977001	Carriage Foot high cpl.	311, 339, 367, 393, 419, 449
38116978001	Carriage 400 NSF	243
38116978002	Carriage VSI 400 NSF	245
38117001000	Gas pressure spring carriage 600 cpl	367, 393, 419, 449
38117002002	Carriage 600 NSF	247
38117002003	Carriage VSI 600 NSF	249
38117005001	Carriage 600 template	251
38117005002	Carriage VSI 600 with guide ruler	253
38117753001	Nut Plate TR20X12P4	273, 301, 333, 361, 387, 413, 447, 477
38117826000	Threaded bolt DIN 913-M8x80-A2	131
38118039000	Dummy plug hygienic BL-M M16x1,5 V4A	67, 69
38120405000	Label Softw. License Win Compact 2013 GE	581, 589
38122147000	Depositing Arm Lever soldered	599
38124200000	Hexagon nut DIN 439 B M16x1.5-A2	485
38127766000	Depositing Angle cpl.	603
38128953000	Plate 91x80x12x2	39
38129020000	Power Contactor preass.	31
38132202000	Lever with pin	277, 305
38132242000	Carrier	523
38132246000	Product supporter	203
38132247000	Product supporter cpl	201
38132268000	Grinder VSI F 330 cpl.	621

Index

Material No.	Material description	Page
38132268001	Grinder VSI 330 cpl.	623
38132271000	Adapter Grinder VSI 330	625, 629
38132417002	Bracket	517
38132485000	Washer 6,3x12x0,5	627
38132735000	Axle 16x400	515
38132796001	Supporter	515
38132889001	Spacer 20x31	523
38132932000	Carrier preass.	517
38132942000	Hexagon screw DIN 933 M8x28 A2-70	283, 339, 393, 449
38132954002	Mounting scale	519
38132961000	Cover 235x167x1,5	525, 537
38132963000	Seal	525, 537
38133055001	Blade Guard Ring preass	199
38133099001	Mounting Scale preass	515
38133194000	Blade Guard Ring cpl	195
38133418001	Adjusting sleeve	201
38134061000	Gauge plate	221
38134272000	Carriage drive cpl	225
38134272001	Carriage drive VSI cpl.	129, 225
38134273000	Bearing housing cpl	227
38134273001	Bearing housing cpl	137, 231
38134310000	Carriage guide cpl.	481
38134312000	Bearing block	483
38134318000	Carriage shaft 25x585,5	483
38134427000	Carriage guide preass.	483
38134447002	Adapter fixing	625, 629
38134448000	Adapter clamping	625, 629
38134476001	Distance bolt	485
38134696000	Fixation 35x15	549
38134724001	Supporting ring	505
38134745000	Mounting preass	201
38134774001	Mounting preass	529
38134781000	Deflector preass	197
38134782001	Deflector 330 machined	205
38135265001	Chain Drive Shaft cpl	541
38135266000	Driving Pin	543
38135457001	Cam Sleeve preass.	549
38135466001	Mounting no scale	531
38138313001	Locking bolt	201
38138315000	Blade Guard Ring	201
38138652000	Chainframe stainless steel cpl. VSI	547
38138719000	weighing cell with cable 0,75m	517
38138908000	Plain bearing w. flange 18x24x20x7	357, 409, 473
38138918002	Table mounting scale cpl	495
38138987001	Lifting Tube cpl	515, 529
38138991000	Depositing table cpl	497
38138993000	depositing table welded	527
38139118001	Guide	529

Index

Material No.	Material description	Page
38139178000	Blade Cover preass	191
38139179000	Blade cover cpl.	187
38139205001	Housing Dt	49
38139206001	Housing W Dt	51
38139232000	Motor Tower W Dt cpl	77
38139233000	Motor Tower Dt cpl	53
38139797000	Clamp piece	625, 629
38139804000	Steel star handle, cpl.	625
38139804001	Star knob GN 5342 M6 E	629
38139814000	Screw DIN963 M6x12-A2 - Precote 80-8	181, 369, 421
38139852001	Table mounting cpl	499
38139855001	Frame	535
38139871001	Axis 12x400	529
38139948000	Wiper ring 29x42x5.2	505
38140046000	Cable clip	517
38140048002	Plug for 18x33	573
38140148000	Blade 330 Cr 2M6 Slayer Service	163
38140322001	Drive Housing Dt cpl	53, 77
38140340001	Machine Housing cpl.	53, 77
38140341000	Chaindrive preass	541
38140345000	Drive Chainframe cpl	539
38140818000	Cover preass.	515, 529
38140820001	Frame preass.	529
38140909000	Toothed belt 9 HTD3x267	541
38140910000	Blade cover cpl. C	189
38140911000	Blade Cover preass C	193
38140919000	Seal ring 14x8x5.1	201
38140932000	Gauge plate C	223
38144364000	Plate Kit	107
38144365000	Plate Kit light	109
38144367000	Set up VSI cpl.	111
38144368000	Setup VSI w. Service Cover cpl	113
38145399001	Guide	509
38145546000	Washer 14x5,5x2	505, 521, 533
38146758001	Cover bracket	491
38146810000	Threaded bolt DIN914 M6x8-A2-70	515, 529
38146818000	Threaded bolt DIN551 M10x20-brass	509
38147263000	Contactora 100-250 AC/DC 4 kW	39
38150424000	Ca Rd 3G1,00 2,5m Typ M	681, 683
38150748000	Guide shaft 147x12	511
38151086000	Power Connection Cable IN cpl.	673
38152676000	Power Connection Cable ZA cpl. Type M	675
38154757000	Pad HT 4344-101-00	591
38155536000	Plate Made in Germany 60x10	707
38159844000	Power Cable Plugtype B 3xAWG18 BK 2,5m	679
38163552000	Screw simil. DIN 968 A2 C3,5 x 16 TX15	629
38165868000	Hygienic Cap Nut M6 with Precote 30-8	137, 231
38169040000	Power Supply 100-240V cpl	17

Index

Material No.	Material description	Page
38169094000	Prog.+Power Supply 100-240V+Wärmepad	31
38170551000	Blade 330 Cr HCov Slayer	165
38170552000	Blade 330 Cr HCov Slayer Service	167
38171086000	Security block - Drive roller	141, 235
38171107000	Security block - Guide roller	139, 233
38172822000	Power Cable Plugtype B 3xAWG18 YE 2,5m	685
38175831000	GS-Label Dim.2 NV 21123 /VSI F, VSI F T	709
38177171000	Terminal Mounting Kit top preassy.	573
38177210000	PowerCable USA CAN cpl high-strength VSI	677
38178095000	Sticker identification scale 1g 2kg	711
38183108000	Shaft 12x59,5	631
38183825000	Shaft 12x56	631
38187607000	Protective bag 400x300	727
38201391000	Accessories Kit for automatic Slicer	725
38900044000	Shim ring DIN988-6x12x0,5	219
38900056000	Oval-head screw DIN7985 M6x30-A2-70	627
38900060000	Washer DIN125-A-3,5-A2	625
38900065000	Cylinder screw DIN912 M6x22-A2-70	599
38900080000	Shim ring DIN988-8x14x0,1	511, 519, 531
38900095000	Oval-head screw ISO14583 M5x16-8.8-T25	509, 515
38900100000	Plain bearing w. flange 12x18x14x4	357, 409, 473
38900124000	Cylindrical pin EN 22338-8m6x40-A2	441, 471
38900186000	Cylindrical pin DIN7-4m6x28-A2	267, 295
38900192000	Set screw ISO4026 M3x3-A2-70	215
38900205000	Cylinder screw ISO14579 M5x16-A2-70	505, 511
40110201002	Washer 40x18,15x1 - POM	277, 305
40110201009	Washer 18x27x1	277, 305
40220000202	Plug Black 16x6,5x12,2 Knurled	191, 193
40220102500	roller	485
40220601100	Locking washer 11x5,4x1,5	627, 631
40223507600	Blade 330 Cr HCov G&B	169
40300900006	slide pin	509, 515, 519, 531, 559
40510200086	Pressure spring	279, 307, 327, 355, 381, 407, 479
40510200211	tension spring	277, 305
40510400159	pressure spring	267, 295
40510600008	pressure spring	527
40530203201	push button	281, 309, 327, 355, 381, 407, 479
40530203302	sliding piece	327, 355, 381, 407, 479
40530203400	buffer	267, 295
40950000176	Brush 160x16	727
46121300020	PRESSURE SPRING 6121300020	267, 295
50002050000	O-ring DIN3771 27,5x2 NBR	515, 543
50002420000	Protective plug 14,5x12,4x9,5-PE	603
50002910000	Hand Brush 6-Row 110X290X30	727
50003040000	Protective plug 11x5x6-PE	205
50003410000	Wiper ring 30x20x7	257, 287, 313, 343, 369, 397, 421, 453

Index

Material No.	Material description	Page
50003640000	O-ring DIN3771 6x1,5 NBR	101, 119
50003750000	O-ring DIN3771 15x1 NBR	529
50005040000	Plain bearing w. flange 6x12x8x4	135
50009771000	V-ribbed belt 10 PJ 457	131
50010310000	Bizerba Lettering L255 H30	73, 95
50250100000	Grounding Plate 9x17/4.3 D	63, 87, 117, 123, 579
50281130000	Disc spring 12x4,2x0,5	527
50305490002	V-Sealing Ring 25x33x7,5 coated	597
50373961000	Disc magnet 10x6	201
50383220000	Pivot foot 80x254-M24x222-10°	639, 649
50383270000	Buffer 20xM6x23,5-A	523
50720010000	Castor With Pivot LEXZ-POT H 100 G-FI-WE	643
50720600000	Wheel 100x15x37-160	645, 651
50828480000	Protective Plug 11.12249 PE-LD	199
51488600000	Warning Plate Hand Injury 7.29K	269, 297, 325, 353, 379, 405, 431, 461, 713
51977600000	Warning plate with danger arrow 50	67, 69, 91, 715
56036120000	Set screw DIN551 M6x12-14H	277, 305
56047810000	Set screw DIN551 M8x16-PA 66	269, 297, 325, 353, 379, 405, 431, 461, 515
56070490000	Set screw DIN926 M4x6-A2-70	549
56070510000	Set screw DIN926 M4x10-A2-70	543
56081050000	Set screw DIN916 M4x4-A2-70	505, 507, 511, 513
56081060000	Set screw DIN916 M6x8-A2-70	217
56082290000	Set screw DIN438 M5x10-A2-70	273, 301
56083110000	Set screw ISO4026 M4x4-A2-70	215
56083140000	Set screw ISO4026 M5x12-A2-70	541
56083380000	Set screw ISO4026 M10x50-A2-70	509
56083970000	Set screw DIN916 M6x8-45H	213
56083980000	Set screw DIN916 M6x12-A2-70	201
56086260000	Ball knob DIN319 M6x25 I	275, 303, 331, 359, 385, 411, 445, 475
56086270000	Ball knob DIN319 M8x32 I	279, 307, 327, 355, 381, 407, 479
56113920000	Wood screw DIN97-6x50-4.6	641, 647, 653
56164130000	Cylindrical pin EN 22338-4m6x12-A2	125
56187710000	Cylindrical pin EN 22338-4m6x8-A2	271, 273, 299, 301
56187780000	Cylindrical pin EN 22338-4m6x6-A2	335, 337, 363, 365, 389, 391, 415, 417, 437, 439, 467, 469
56187830000	Cylindrical pin EN 22338-5m6x10-A2	271, 299, 335, 337, 363, 365, 389, 391, 415, 417, 437, 439, 467, 469
56187850000	Cylindrical pin EN 22338-5m6x16-A2	271, 299
56188280000	Cylindrical pin EN 22338-8m6x28-A2	269, 297, 325, 353, 379, 405, 431, 461
56243100000	Cylindrical pin EN 22338-3h11x10-A2	279, 307, 327, 355, 381, 407, 479
56263090000	Round Head Nail DIN 1476 3x8 A2-70	527
56265100000	Round-Head Nail DIN 1476-4x10-A2-70	277, 305
56285180000	Grooved Pin DIN 1469-C5x14-6.8	277, 305

Index

Material No.	Material description	Page
56336160000	Grooved Pin DIN 1474-4x16 A2-70	505
56359540000	Grooved Pin DIN 1473-4x6-A2-70	551
56360600000	Grooved ball bearing DIN625 10x26x8	257, 287, 313, 343, 369, 397, 421, 453
56366420002	Self-Aligning Ball Bearing 2202	257, 287, 313, 343, 369, 397, 421, 453
56368320002	Angular bearing double-row 15x35x15,9	257, 287, 313, 343, 369, 397, 421, 453
56386060000	Ball DIN5401 6-1.4034	267, 295
56400810000	Lock nut DIN985-M2,5-St	597
56400850000	Lock nut DIN985-M5-A2	435, 465
56400860000	Lock nut DIN985-M6-A2	135, 199, 211, 213, 511, 599
56400880000	Lock nut DIN985-M8-A2	131, 213, 485
56420160000	Cap nut DIN986-M6-A2	185, 255, 265, 283, 285, 311, 321, 339, 341, 367, 375, 393, 395, 419, 427, 449, 451
56435660000	Knurled nut DIN467-M6-A2	211, 213, 511
56444600000	Hexagon nut DIN439-M6-A2	65, 89, 101, 179, 183, 215
56444800000	Hexagon nut DIN439-M8-A2	269, 297, 325, 353, 379, 405, 431, 461
56453130000	Thread insert M5x7,5-A2	257, 313, 369, 397, 421, 453
56453180000	Threaded insert M6x9	259, 315, 371, 399, 423, 455
56453260000	Threaded insert M10x10	57, 81
56453380000	Threaded insert M10x15	57, 63, 81, 87
56455430000	Hexagon nut DIN934-M4-PA 66	65, 89
56456300000	Hexagon nut DIN934-M3-A2	527
56456400000	Hexagon nut DIN934-M4-A2	39, 117, 123
56456600000	Hexagon nut DIN934-M6-A2	179, 183, 211, 519, 531
56456800000	Hexagon nut DIN934-M8-A2	273, 277, 301, 305, 329, 357, 383, 409, 443, 473, 515, 597
56472220000	Hexagon nut DIN439-M12x1-A2	199
56472590000	Hexagon nut DIN439-M8x1-A2	215
56472600000	Hexagon nut DIN439-M10x1-A2-70	271, 299
56709980000	Shim ring DIN988-14x20x0,1	599
56739030000	Washer DIN125-A-3-A2	527
56739040000	Washer DIN125-A 4.3-A2-70	55, 63, 67, 69, 79, 87, 91, 117, 123, 199, 259, 267, 273, 289, 295, 301, 315, 329, 345, 357, 371, 383, 399, 409, 423, 443, 455, 473, 505, 527, 551
56739050000	Washer DIN125-A-5-A2	273, 301, 333, 361, 387, 413, 447, 477
56739060000	Washer DIN125-A-6-A2	131, 135, 199, 211, 265, 277, 285, 305, 321, 341, 375, 395, 419, 427, 449, 451, 487, 541, 549, 625, 627
56739080000	Washer DIN125-A-8-A2	53, 77, 131, 211, 255, 271, 299, 483, 485, 515
56739100000	Washer DIN125-A-10-A2	209, 645, 651
56739130000	Washer DIN125-A-12-A2	199
56755620000	Washer DIN433-10-PA66	559

Index

Material No.	Material description	Page
56755650000	Washer DIN433-6-A2	627, 631
56765040000	Washer DIN9021-4-A2	485, 505, 519, 527, 531, 549
56765050000	Washer DIN9021-5-A2	19, 23, 27, 31, 515, 625
56765060000	Washer DIN9021-6-A2	137, 227, 231, 265, 285, 321, 341, 375, 395, 427, 451, 517, 599
56767060000	Washer DIN7349-6-St	199
56777410000	Screw seal M4	117, 123, 491
56806411000	Oval-head screw ISO14583 M4x6-A2-70-T20	219, 259, 287, 289, 315, 343, 345, 371, 397, 399, 423, 453, 455, 505, 519, 531
56806450000	Oval-head screw ISO14583 M4x8-A2-70-T20	19, 23, 27, 31, 55, 57, 67, 69, 79, 81, 91, 579, 581, 589, 597
56806461000	Oval-head screw ISO14583 M4x16-A2-70-T20	19, 23, 27, 215
56806540000	Oval-head screw DIN7985 M5x12-A2-70	115, 119
56972480000	Mushroom head screw M4x8-A2-70 Tuflok	57, 81, 257, 287, 313, 343, 369, 397, 421, 453, 515, 517, 529, 549, 551, 559
56972500000	Mushroom head screw M4x12-A2-70	55, 67, 69, 79, 91, 179, 183
56972540000	Mushroom head screw M4x10-A2-70	179, 183, 553
56972610000	Mushroom head screw M5x6-A2-70	63, 87, 639, 649
56972770000	Mushroom head screw M6x10-A2-70	101, 115, 119, 367, 393
56972780000	Mushroom head screw M6x8-A2-70	535
56984520000	Pan head screw DIN923 M5x4A2-70	269, 297, 325, 353, 379, 405, 431, 461
57429080000	Hexagon screw DIN933 M4x8 A2-70	57, 81, 487, 491, 551
57429100000	Hexagon screw DIN933 M4x10 A2-70	269, 297, 325, 353, 379, 405, 431, 461
57429120000	Hexagon screw DIN933 M4x12 A-70	139, 233, 485
57429160000	Hexagon screw DIN933 M4x16 A2-70	117, 123, 551
57429200000	Hexagon screw DIN933 M4x20 A2-70	273, 301
57429350000	Hexagon screw DIN933 M4x35 A2-70	141, 235
57430100000	Hexagon screw DIN933 M5x10 A2-70	121, 485, 487
57430120000	Hexagon screw DIN933 M5x12 A2-70	201, 329, 357, 383, 409, 443, 473
57430200000	Hexagon screw DIN933 M5x20 A2-70	259, 289, 315, 345, 371, 399, 423, 455
57431120000	Hexagon screw DIN933 M6x12 A2-70	259, 265, 285, 289, 315, 321, 341, 345, 371, 375, 395, 399, 423, 427, 451, 455
57431160000	Hexagon screw DIN933 M6x16 A2-70	485, 487
57431200000	Hexagon screw DIN933 M6x20 A2-70	549
57431250000	Hexagon screw DIN933 M6x25 A2-70	483, 549
57431300000	Hexagon screw DIN933 M6x30 A2-70	419, 449
57431420000	Hexagon screw DIN933 M6x45 A2-70	65, 89, 211, 519, 531
57432250000	Hexagon screw DIN933 M8x25 A2-70	483
57432300000	Hexagon screw DIN933 M8x30 A2-70	255, 311, 367, 419, 639, 643, 649
57433250000	Hexagon screw DIN933 M10x25 A2-70	645, 651
57442080000	Countersunk screw DIN7991 M4x12-A2-70	215

Index

Material No.	Material description	Page
57442120000	Countersunk screw DIN7991 M6x12-A2-70	137, 227, 231
57442170000	Countersunk screw DIN7991 M6x20-A2-70	125, 127, 137, 227, 231
57442200000	Countersunk screw DIN7991 M8x20-A2-70	483
57450020000	Countersunk screw DIN965 M4x12-A2-70-T20	39, 519, 531
57450350000	Self-tap screw ISO7049-C3,5x16 A2-50-T15	625
57451370000	Oval-head screw ISO14583 M4x12-A2-70-T20	55, 67, 69, 79, 91
57451390000	Countersunk screw DIN965 M4x10-A2-70-T20	519, 531
57629520000	Countersunk screw DIN963 M5x10-A2-70	255, 257, 283, 287, 311, 313, 339, 343, 367, 369, 393, 397, 419, 421, 449, 453
57630330000	Countersunk screw DIN963 M3x8-A2-70	527
57630420000	Countersunk screw DIN963 M4x8-A2-70	257, 287, 313, 329, 343, 357, 369, 383, 397, 409, 421, 443, 453, 473
57630430000	Countersunk screw DIN963 M4x10-A2-70	179, 183, 267, 295
57630440000	Countersunk screw DIN963 M4x12-A2-70	277, 305
57630530000	Countersunk screw DIN963 M5x12-A2-70	191, 193, 257, 287, 313, 343, 369, 397, 421, 453
57630620000	Countersunk screw DIN963 M6x12-A2-70	131, 255, 257, 265, 283, 285, 291, 311, 313, 321, 339, 341, 347, 367, 375, 393, 395, 397, 419, 427, 449, 451, 453
57697070000	Cylinder screw DIN84 M3x8-A2-70	57, 81, 527
57697470000	Cylinder screw DIN84 M4x8-A2-70	277, 305
57697480000	Cylinder screw DIN84 M4x10-A2-70	273, 301, 329, 357, 383, 409, 443, 473
57730070000	Oval-head screw ISO14583 M4x10-A2-70-T20	55, 63, 79, 87
57730110000	Oval-head screw ISO14583 M5x16-A2-70-T25	625
57730170000	Oval-head screw ISO14583 M5x10-A2-70-T25	19, 23, 27, 31, 99, 615
57730180000	Oval-head screw ISO14583 M3x16-A2-70-T10	219, 273, 301, 329, 357, 383, 409, 443, 473
57732610000	Cylinder screw DIN84 M4x5	509
57732650000	Cylinder screw DIN84 M4x16	65, 89
57734060000	Cylinder screw DIN912 M4x6-8.8	573
57735200000	Cylinder screw DIN912 M5x20-8.8	597
57736120000	Cylinder screw DIN912 M6x12-8.8	597
57742910000	Cylinder screw DIN912 M3x8-A2-70	505, 511
57743020000	Cylinder screw DIN912 M4x8-A2-70	67, 69, 91
57743040000	Cylinder screw DIN912 M4x12-A2-70	199
57743280000	Cylinder screw DIN912 M5x20-A2-70	199, 201
57743430000	Cylinder screw DIN 912-M6x20-A2-70	53, 77
57743440000	Cylinder screw DIN912 M6x25-A2-70	137, 227, 231
57743450000	Cylinder screw DIN912 M6x16-A2-70	67, 69, 91, 137, 227, 231, 255, 283, 311, 339, 367, 393, 419, 449, 483
57743460000	Cylinder screw DIN912 M6x30-A2-70	131
57743461000	Cylinder screw DIN912 M6x35-A2-70	199, 209, 213
57743470000	Cylinder screw DIN912 M6x40-A2-70	137, 227, 231
57743490000	Cylinder screw DIN912 M6x50-A2-70	135
57743540000	Cylinder screw DIN912 M6x80-A2-70	135
57743670000	Cylinder screw DIN912 M8x20-A2-70	211, 643

Index

Material No.	Material description	Page
57743680000	Cylinder screw DIN912 M8x25-A2-70	131
57743700000	Cylinder screw DIN912 M8x30-A2-70	211
57744870000	Protective plug 10x5,2x3,1-PE	53, 77, 125, 127, 255, 283, 311, 339, 367, 393, 419, 449, 483, 485
57747389000	Cylinder screw DIN7984 M8x20-A2-70	125, 127
57750600000	Retaining washer DIN6799-6	271, 299
57750700000	Retaining washer DIN6799-7	269, 297, 325, 353, 379, 405, 431, 461
57753320000	Retaining washer DIN6799-3,2	527
57753400000	Retaining washer DIN6799-4	627, 631
57753610000	Retaining washer DIN6799-7	485
57753900000	Retaining washer DIN6799-9	329, 357, 383, 409, 443, 473
57755860000	Spring washer DIN137-A 6,4	511
57758610000	Toothed washer DIN6797-A 4,3-Fst	55, 63, 67, 69, 79, 87, 91, 117, 123, 259, 289, 315, 345, 371, 399, 423, 455, 579
57767030000	Spring lock washer DIN128-A3-FSt	219, 505, 511, 527
57767040000	Spring lock washer DIN128-A4-FSt	55, 63, 67, 69, 79, 87, 91, 117, 123, 219, 273, 301, 329, 357, 383, 409, 443, 473, 487, 579, 597
57767050000	Spring lock washer DIN128-A5-FSt	199, 201, 273, 301, 329, 333, 357, 361, 383, 387, 409, 413, 443, 447, 473, 477, 487, 597, 625
57767060000	Spring lock washer DIN128-A6-FSt	53, 77, 131, 137, 185, 199, 209, 211, 227, 231, 483, 487, 541, 597, 599
57767080000	Spring lock washer DIN128-A8-A2	131, 211, 255, 283, 311, 339, 367, 393, 419, 449, 483, 639, 643, 649
57773140000	Retaining ring DIN471-14x1	599
57773710000	Retaining ring DIN471-6x0,7	209
57773730000	Retaining ring DIN471-8x0,8	519, 531
57773750000	Retaining ring DIN471-10x1	257, 287, 313, 343, 369, 397, 421, 453
57775910000	Retaining ring DIN472-22x1	521, 533
57778700000	Retaining ring DIN472-35x1,5	257, 287, 313, 343, 369, 397, 421, 453
57806110000	Clamping pin ISO8750-4x24-A2	213
60112000029	Washer	441, 471
60220005700	hexagon screw oval-head M 6x16	267, 295, 515, 517, 523, 529
60220007500	Paper Felt	727
60220110100	threaded pin	213
60220402101	cover	435, 465
60220600500	Shaft 12x58	627
60220600700	Shaft 12x54,5	627
60220600900	Cover 71x5.5	627, 631
60220602600	Spacer sleeve 10x6,1x5,5	627
60223400500	Cap M6x10	625, 629
60223401001	Sharpening disc	627, 631

Index

Material No.	Material description	Page
60223401101	Honing Disc	627, 631
60223505802	Bearing Bolt	205
60223506302	cover 11x0,5	201, 529
60240304800	Bushing 6,2 x 12f7 x 15	599
60240501803	Driver 35x14x3	551
60240503100	Hexagon screw DIN 933 M4x10-A2-70	215, 549
60242200501	gear wheel for drive roller	555
60260207302	Control Gear	271, 299
60260310001	strap	55, 79
60270103500	pin	201
60270111302	Washer	199
60270202801	Washer	627
60274601001	Bolt PA - 4, 1x4,5	201
60350402001	Protective plug	329, 357, 383, 409, 443, 473
60370103901	spacer ring	131
60370104101	Belt pulley PolyV 98,4	131
60370104212	Sealing ring blade 108x84x40	133
60370104302	Hexagon nut M25x1,5 SW30	131
60370104911	Sealing	199
60370106201	supporting plate	215
60370107502	spacer	209
60370115300	Spacer ring	211
60370146800	cap rail	19, 23, 27
60370161500	Clamp handle small M 5	435, 465
60380108600	Washer	273, 301, 333, 361, 387, 413, 447, 477
60380205800	SLIDE PIN	273, 301, 329, 357, 383, 409, 443, 473
60510200037	Pinion	279, 307, 327, 355, 381, 407, 479
60510200056	Pan head screw M6x7,1x7	277, 305
60510200081	collar stud	279, 307, 327, 355, 381, 407, 479
60510200112	lock nut	277, 305
60510200113	washer 20 (1mm)	277, 305
60510200132	Washer	277, 305
60510200133	Washer 1 mm	277, 305
60510200134	washer 0,5mm	277, 305
60510600037	switch rod short	527
60520200143	torsion spring	335, 337, 363, 365, 389, 391, 415, 417, 437, 439, 467, 469
60530101500	Blade 330 Cr Slayer	171
60530106000	Blade 330 Cr 2xM6 G&B	173
60530200062	mounting link	277, 305
60530200067	collar nut	277, 305
60530200094	cover plate	277, 305
60530200500	supporting angle	267, 295
60530202300	PIN	271, 299
60530202400	slider	441, 471

Index

Material No.	Material description	Page
60530204400	Product holder ass.	255, 283
60530206800	locking handle assembled	271, 299
60530207000	side frame	279, 307
60530207100	Hexagon Screw M4x6 A2-70 Hygiene	279, 307
60530207200	product holder housing preass.	279, 307
60530208200	cap nut	271, 299
60530300053	lubricating felt	487
60530300066	felt ring	485
60540101700	nut	203
60540101800	cover	203
60540245701	guide shaft	257, 287, 313, 343
60540245900	Handhold 91x28 M16x1 - PA6 black	277, 305
60540246101	lever ass.	277, 305
60540246401	locking device, welded	277, 305
60540246601	Torsion spring left	271, 273, 299, 301
60540246701	Torsion spring right	271, 299
60540246801	Shaft	271, 299
60540246900	pan head screw	277, 305
60540247000	washer	271, 299
60540247101	spacer bushing	271, 299
60540247300	Star knob M8x18,5	277, 305
60540247400	counter bearing	271, 299
60540247500	counter bearing	271, 299
60540247600	washer	271, 299
60540248400	product supporting plate ass.	255, 283
60540248500	product supporting plate welded	281, 309
60540248700	glide piece	281, 309
60540250700	actuator	273, 301
60540251700	spring	267, 295
60540251900	Lever welde. compl.	267, 295
60540252200	hub preass.	267, 295
60540252801	take up device preassembled	267, 295
60540253400	tightening disk	267, 295
60540260801	Washer	257, 287, 313, 343, 369, 397, 421, 453
60540261000	bolt	257, 287, 313, 343, 369, 397, 421, 453
60540265600	locking lever mount.	329, 357, 383, 409, 443, 473
60540266102	Bushing complete	271, 299, 329, 357, 383, 409, 443, 473
60540266600	hex nut	271, 299, 329, 357, 383, 409, 443, 473
60540268301	guide shaft	369, 397, 421, 453
60540269601	product holder	327, 355, 381, 407, 479
60540269700	Side frame left	327, 355, 381, 407, 479
60540269800	Side frame right	327, 355, 381, 407, 479
60540269901	Gripper Shaft cpl	327, 355, 381, 407, 479
60540270201	Cap nut M6	327, 355, 381, 407, 441, 471, 479

Index

Material No.	Material description	Page
60540276102	Holding Down Device ass.	311, 339, 367, 393, 419, 449
60540276201	Holding Down Device preass.	335, 337, 363, 365, 389, 391, 415, 417, 437, 439, 467, 469
60540276701	hub	335, 337, 363, 365, 389, 391, 415, 417, 437, 439, 467, 469
60540277600	self-tapping screw	327, 355, 381, 407, 479
60540277802	Handle with screw M6 x 13,55	335, 363, 389, 415, 437, 467
60540313101	Elevating Spindle 149xTR20x4	511
60540313900	nut plate	509
60540318701	stop pin	329, 357, 383, 409, 443, 473
60540400900	Depositing plate	501
60540402202	paper holder long	527
60540402300	Paper holder short	527
60540402401	block	527
60540402600	switch rod short	527
60540402801	silicone tube	527
60540402900	mounting	527
60540403000	shaft	527
60540403200	Lever	527
60540403300	leg spring	527
60540501300	stop	551
60540502001	Plastic roller wheel cpl.	549
60540502105	Drive roller chain frame	555
60540503901	guide cam	549
60540504000	sleeve	549
60540504600	cover plate	549
60540507000	bracket cpl.	549
60540801001	depositing arm standard welded	603
60540802000	locknut	603
60540900501	holding bracket	597
60540900604	Angle	597
60541080001	Metal Sheet Insert cpl.	433, 463
60542403701	mounting	641, 647, 653
60542403800	ACCESSORY KIT FOR BENCH FIXATION	639, 643, 649
60542404001	Supporting Foot 173 x 20	643
60610000017	washer	549
60800108400	bracket handle	191
60800114700	set screw	199
60800116900	Bizerba character font	63, 87
60800198400	Bracket handle C 100 x 32 x 10	193
60804801200	Reference plate "Sharpen and lube daily"	717
60810107611	Sealing	199
60830912002	Codestrip 4x26	597
60895100160	PCBA PowerSupply VSI	35
60895400152	PCBA Intermediate Board 1	491
60895600150	PCBA Intermediate Board 2	65, 89
60897000159	Apalis carrierboard + iMX6 1GB Quad	581
60897000160	Apalis carrierboard + iMX6 1GB Quad	589

Index

Material No.	Material description	Page
60897100160	PCBAP Power Supply VSI	33
60897200155	PCBAP MC 3ph 6ch lv bus	55, 79
60897300156	PCBAP MC 3ph 2ch hv bus	91
60897300157	PCBAP MC 3ph 2ch hv bus	67
60897500157	PCBAP MC 3ph 2ch lv bus	261, 289, 317, 345, 371, 399, 423, 455
60897700103	Weighing module Food	617
60897700104	Weighing module Food	619
65016000132	Washer DIN125-A-8-PA6	179, 183
65016000133	Washer 5-PA	259, 289, 315, 345, 371, 399, 423, 455, 485
71004310000	Cabel Tie T18R	19, 23, 27, 503, 589
71004320000	Cable Tie T40R	67, 69, 91, 573
71004520000	Flat Cabel Holder 3484-1000	257, 287, 313, 343, 369, 397, 421, 453
71010820000	Cable Gland M16 UL 53111010	517, 681, 683
71037830000	Linear Increment Encoder HEDS 9200-300	597
71066170000	Blind plug BLK- M16	57, 81
71066180000	Blind plug BLK- M20	269, 297, 325, 353, 379, 405, 431, 461
71067290000	Spacer 6.4 LPR 8520-M4	491
71080560000	Flat Plug 6.3 DIN4634	117, 123
71087550000	Terminal Block 3pol 2,5qmm 280-641	19, 23, 27
71087650000	Intermediate Plate 280-313	19, 23, 27
71169040000	Nylon-Clips NK-4N	581, 589
71169050000	Cable Clamp nylon 7,4mm NK-5N	269, 297, 325, 353, 379, 405, 431, 461, 579
71169100000	Cable Clamp nylon 14mm NK-10N	55, 79
71400960000	Short Circuit Bracket 3131 731000406	259, 289, 315, 345, 371, 399, 423, 455
71451600000	Fuse T6.3	19
71451870000	FUSE 8,0T UL 215008.P	23, 27, 37
71473870000	Patch Cable 2M CAT5E 26AWG	571
71506350000	Battery Lithium Cell CR2032 UL	583, 593
94009990000	Machine sticker Hotline 1020 (70x30)	719
95900601030	Machinery oil H1 30ml	727
95916850000	Dowel 6x10x35	641, 647, 653
95944020001	Silicone Rubber Elastosil E41 90ml	265, 285, 321, 341, 375, 395, 427, 451, 515
95944300000	Kitchen silicone ELASTO4710	329, 357, 383, 409, 443, 473
95972840002	Loctite 648 10ml.	179, 183, 441, 471
95972870002	Loctite 638	125, 201, 259, 287, 289, 315, 343, 345, 371, 399, 423, 455
95972950002	Loctite 243 50 ml	19, 23, 27, 31, 53, 57, 63, 67, 69, 77, 81, 87, 91, 99, 121, 125, 127, 131, 137, 139, 141, 191, 193, 199, 201, 205, 209, 215, 227, 231, 233, 235, 255, 257, 259, 265, 267, 269, 271, 273, 275, 277, 279, 283, 285, 287, 289, 295, 297, 299, 301

Index

Material No.	Material description	Page
95972950002	Loctite 243 50 ml	303, 305, 307, 311, 313, 315, 321, 325, 327, 329, 331, 333, 339, 341, 343, 345, 353, 355, 357, 359, 361, 367, 369, 371, 375, 379, 381, 383, 385, 387, 393, 395, 397, 399, 405, 407, 409, 411, 413, 419, 421, 423, 427, 431, 443, 445, 447, 449, 451, 453, 455, 461, 473, 475, 477, 479, 483, 485, 503, 505, 507, 509, 511, 513, 515, 517, 519, 521, 527, 531, 533, 535, 541, 543, 549, 551, 553, 597, 615, 625, 639, 645, 649, 651
95972960002	Loctite 7649 500ml	125, 199, 201, 205, 211, 213
96055050000	Lubricating Oil F.L.5 Oil UH1	271, 299, 483, 485
96055070000	Grease PARALIQ GA 343	211, 213, 219, 257, 259, 267, 269, 271, 277, 295, 297, 299, 305, 313, 315, 325, 329, 335, 337, 353, 357, 363, 365, 369, 371, 379, 383, 389, 391, 405, 409, 415, 417, 421, 423, 431, 437, 439, 443, 461, 467, 469, 473, 485, 511, 519, 521, 531, 533, 549, 551, 599, 627, 631
96055080000	Kluebersynth UH1 64-62/25kg	133, 141, 201, 209, 235, 291, 347, 397, 399, 453, 455, 485, 505, 519, 531, 597
96055090000	Assembly-paste Rivolta F.L.A. 100 ml	373, 401, 425, 457, 559, 639, 643, 649