

Slicer

SE 12 D



SE 12 D/0



**SE 12 D/18 Low
SE 12 D/18 High**

4



SE 12 D/25 High

Slicer

SE 12 D

| Content of drawings | Page of drawing |
|--|-----------------|
| Lifting lever SE 12 D | 1 |
| Carriage | |
| Overview | 3 |
| Inclination 0°, (horizontal) | 4 |
| Inclination 18°, Low, inclined slicer | 7 |
| Inclination 18°, Low - High - Clamping carriage | 10 |
| Inclination 25°, High Alu RW and USA Grivory RW | 16 |
| Inclination 25°, High, Alu welded, USA and CAN | 18 |
| Retrofitting set, one-part 25° aluminium carriage | 21 |
| Retrofitting set rear wall Lexan to Alu | 22 |
| Cables | 23 |
| Built-in motor | 24 |
| Blade guard ring | |
| Carriage inclination 0°, blade cover centrally fastened | 25 |
| Carriage inclination 18°, Low and High, blade cover centrally fastened | 26 |
| Carriage inclination 0°, blade cover decentrally fastened | 27 |
| Carriage inclination 18°, Low and High, blade cover decentrally fastened | 28 |
| Gauge plate | 29 |
| Signs | 30 |
| Accessories and operating instructions | 32 |
| Accessories for elevated installation | 33 |
| Sharpener | 34 |
| Remnant holder | 36 |
| Tomato guide remnant holder plate | 37 |
| Product fixation | |
| Tomato ruler | 38 |
| Ruler, complete | 39 |
| Retrofitting set, product fixation (Carriage 18° and 25°) | 40 |
| Vegetable chute and pusher | 41 |

Content of drawings

Page of drawing

Basic parts

| | |
|--|----|
| Blade bearing pre-mo. SE 12 and accessories (for centrally fastened blade cover) . . . | 43 |
| Blade bearing pre-mounted and accessories (for decentrally fastened blade cover) | 45 |
| Support for blade guard ring and deflector plastic | 47 |
| Motor fastening and belt tension | 48 |
| Rotary knob and bearing bracket | 49 |
| Carriage guide, rail, angle and locking device | 50 |
| Carriage guide complete, standard | 51 |
| Carriage guide complete, SIKO | 54 |
| Bearing bracket, pre-mounted | 58 |
| Housing, pre-mounted | |
| with switching manual/automatic, up to device-no. 10361573 | 59 |
| without switching manual/automatic, from device-no. 10361574 | 60 |
| for blade deactivation SE 12-D 120 (USA), up to device-no. 1908161 | 61 |
| SIKO-version | 62 |
| Baseplate assembled (with switching), capacitor and accessories | 63 |
| Baseplate (without switching), capacitor and accessories | 65 |
| CPU, LPB mains board, strands, sensor and accessories | 66 |
| Carriage drive SE 12D with accessories, running rail, supporting legs | |
| Standard-version | 67 |
| SIKO-version | 68 |
| Carriage drive SE 12D | |
| without thermal insulation, motor fastening without bushes (standard and SIKO) | 69 |
| without thermal insulation, motor fastening with bushes | 70 |
| with thermal insulation, motor fastening with bushes (standard and SIKO) | 71 |
| Blade cover pre-mounted (SE12), up to device-no. 10498129 | 72 |
| Blade cover complete, from device-no. 10498130 | 73 |
| Deflector plastic (with integrated support) | 74 |
| Blade deactivation (USA) | 75 |
| Transformer, pre-mounted (ITA) | 76 |
| Repair kit blade shaft USA | 77 |
| Last page of drawings | 78 |

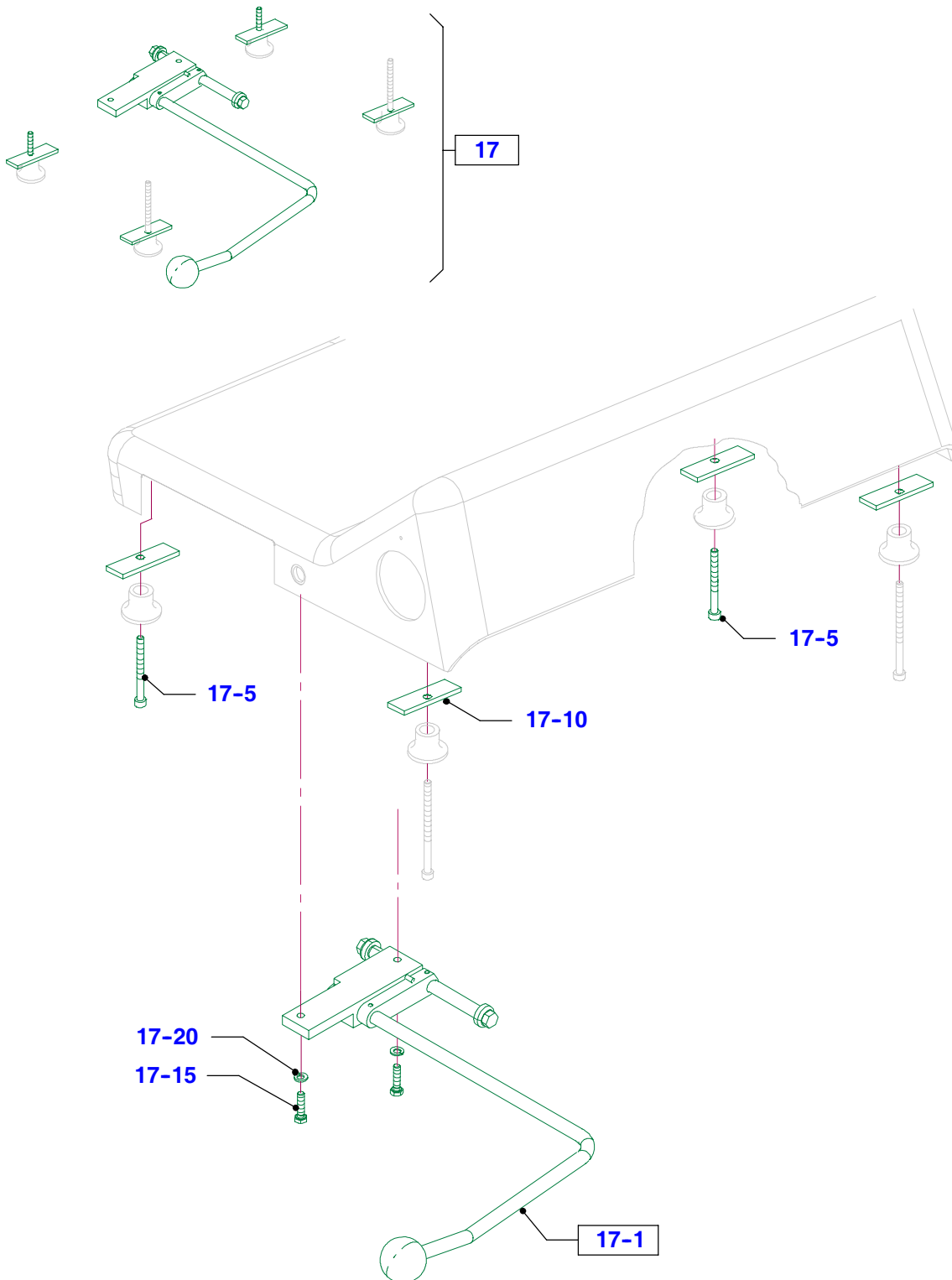
12-2 Rimmed drawing position numbers mark the assemblies of spare parts. The spare parts, which may be ordered, are marked in a detailed way elsewhere in the spare parts list.

The spare parts marked with „Q” are important for the verification, i. e. at the assembly of these parts the verification seal is destroyed. These parts can be purchased only at authorized Bizerba representations.

On the image and text section spear and wear parts are highlighted with (V).

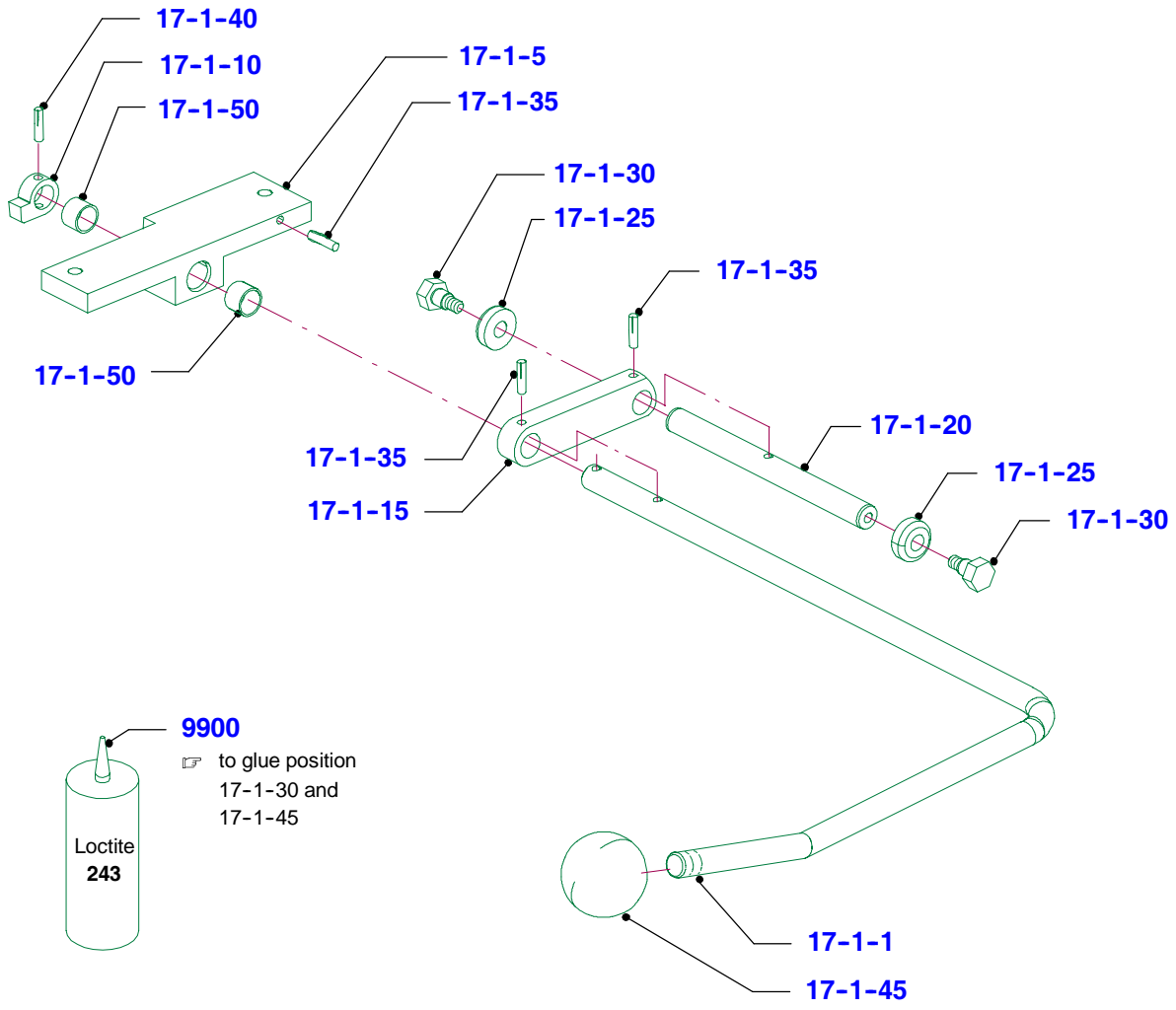
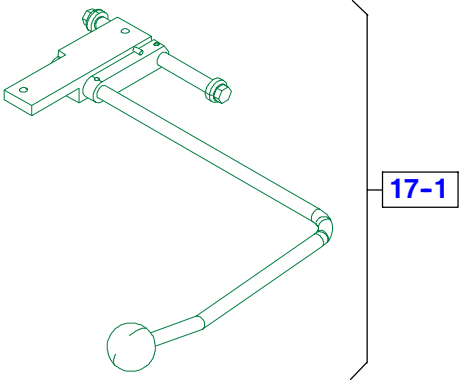
The content of the parts number list is located before the text pages in the rear part of the spare parts list.

Lifting lever SE 12 D



Lifting lever SE 12 D

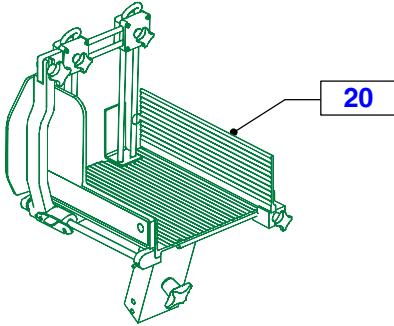
Lifting device pre-mounted



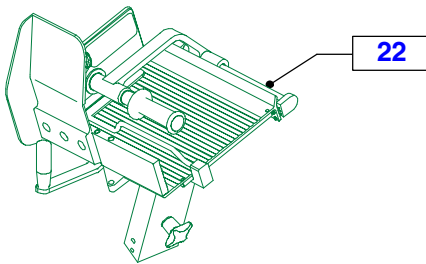
Carriage

Overview

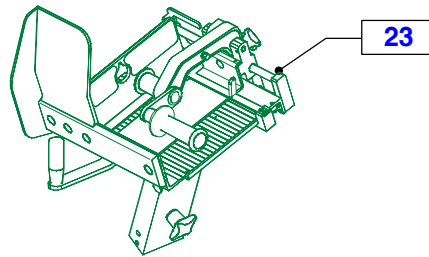
Carriage inclination 0° (horizontal)



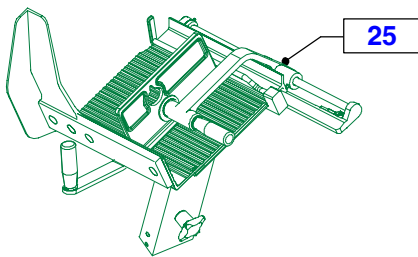
Carriage inclination 18°, Low - inclined slicer



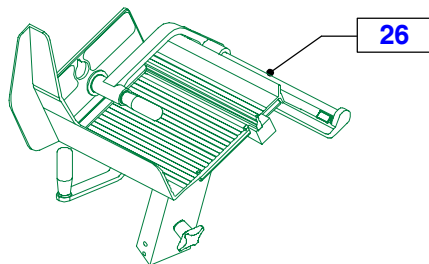
Carriage inclination 18°, Low, High - clamping carriage, with version alu one-part (with rear wall)



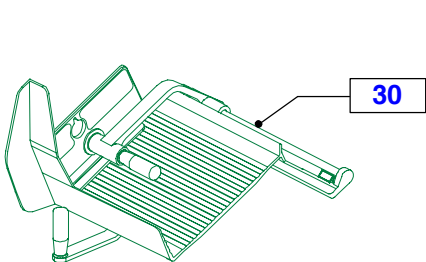
Carriage inclination 25° - High
- alu RW
- USA Grivory RW



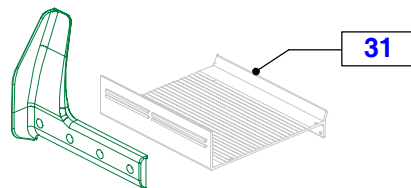
Carriage inclination 25° - High
- alu welded USA
- alu welded CAN



Retrofitting set, one-part 25°-alu carriage

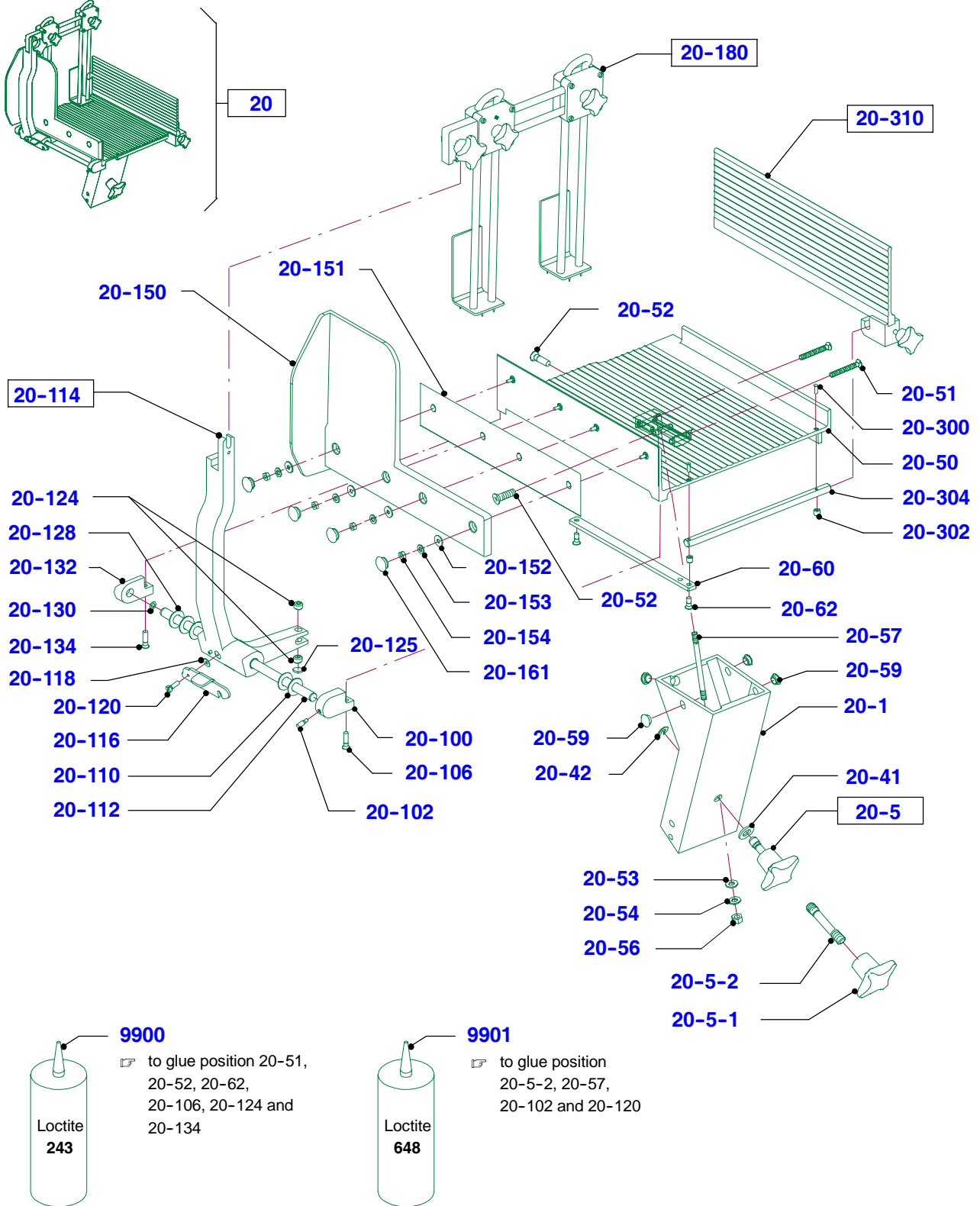


Retrofitting set rear wall Lexan to alu



Carriage

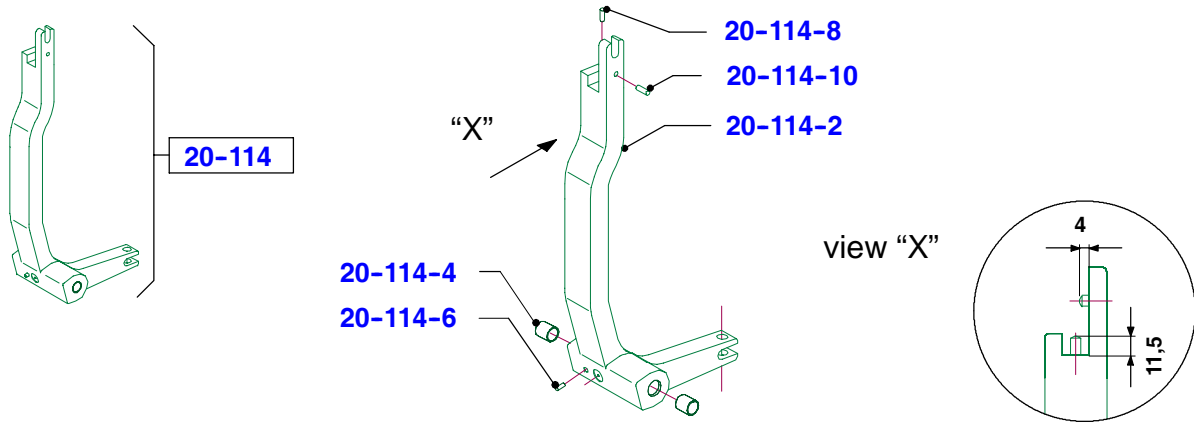
Carriage inclination 0° (horizontal)



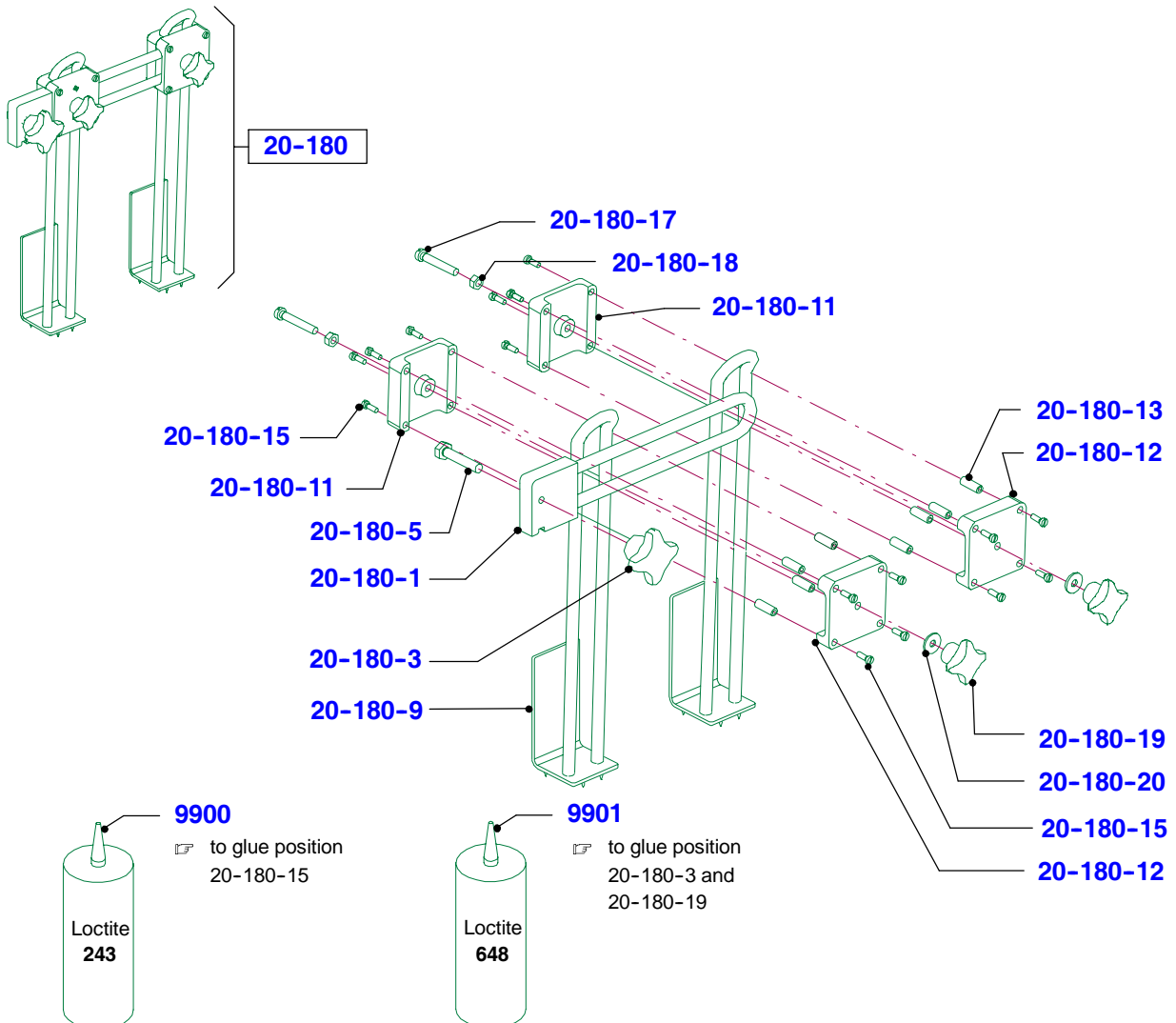
Carriage

Carriage inclination 0° (horizontal)

Guide pre-mounted



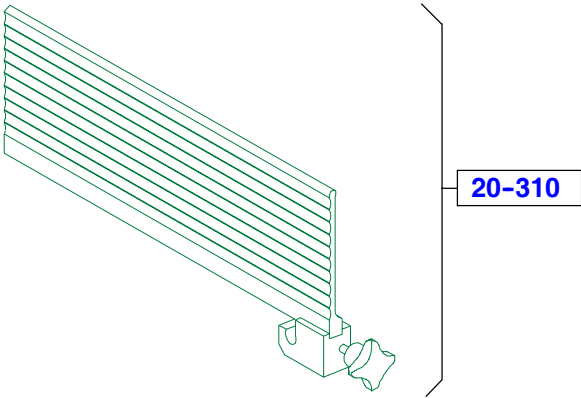
Product holder complete



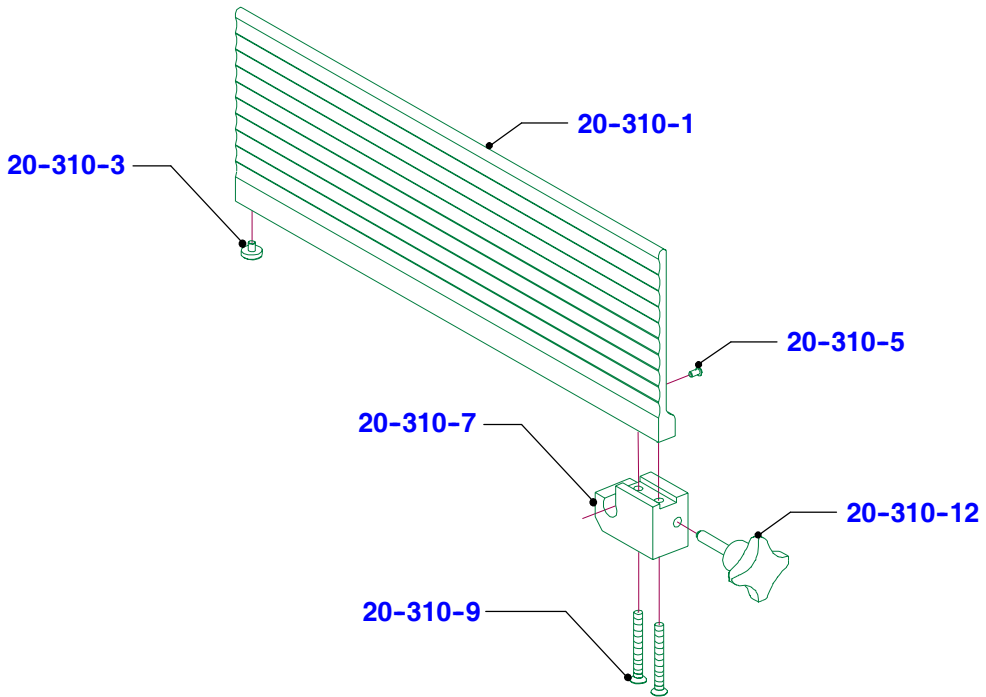
Carriage

Carriage inclination 0° (horizontal)

Ruler pre-mounted

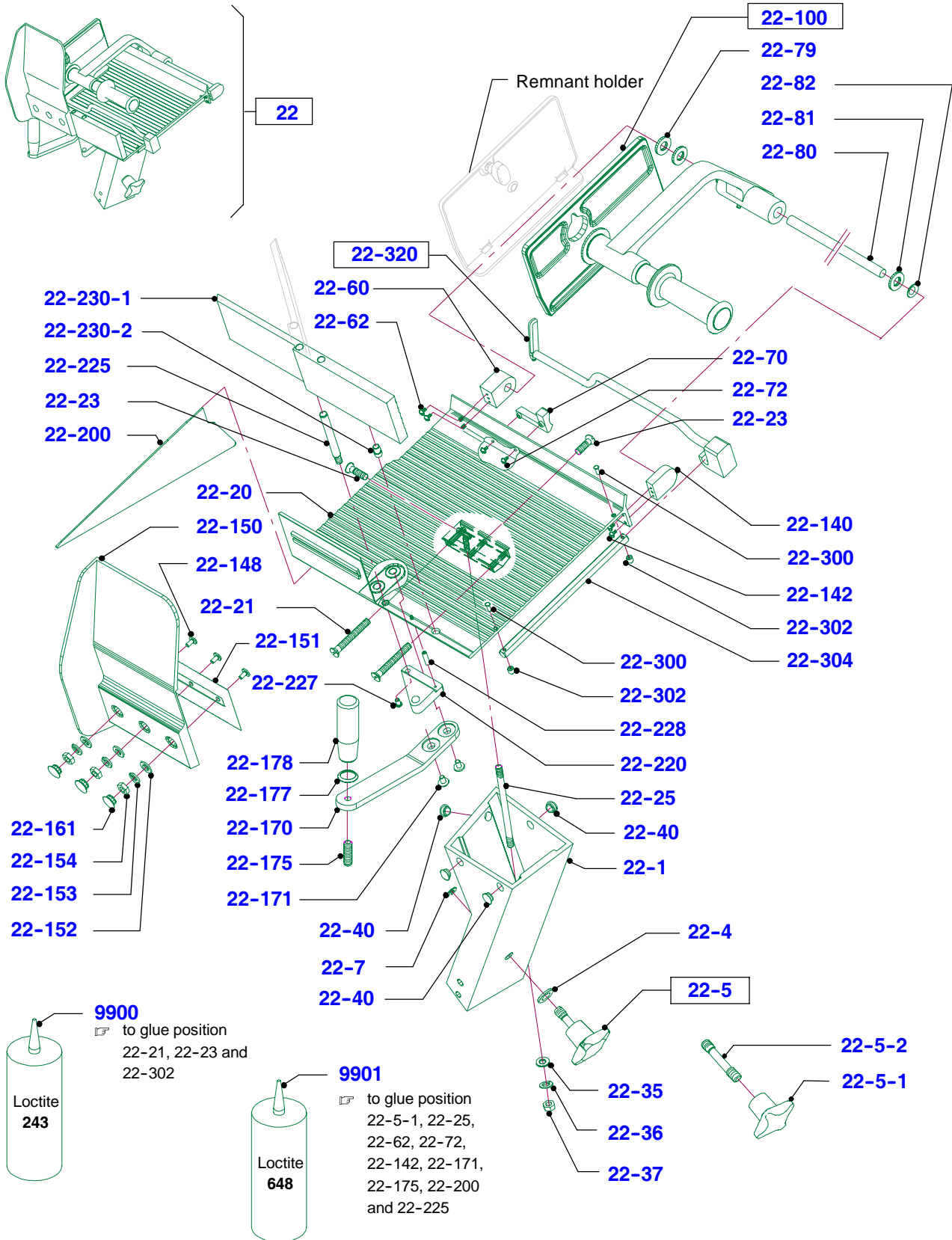


4



Carriage

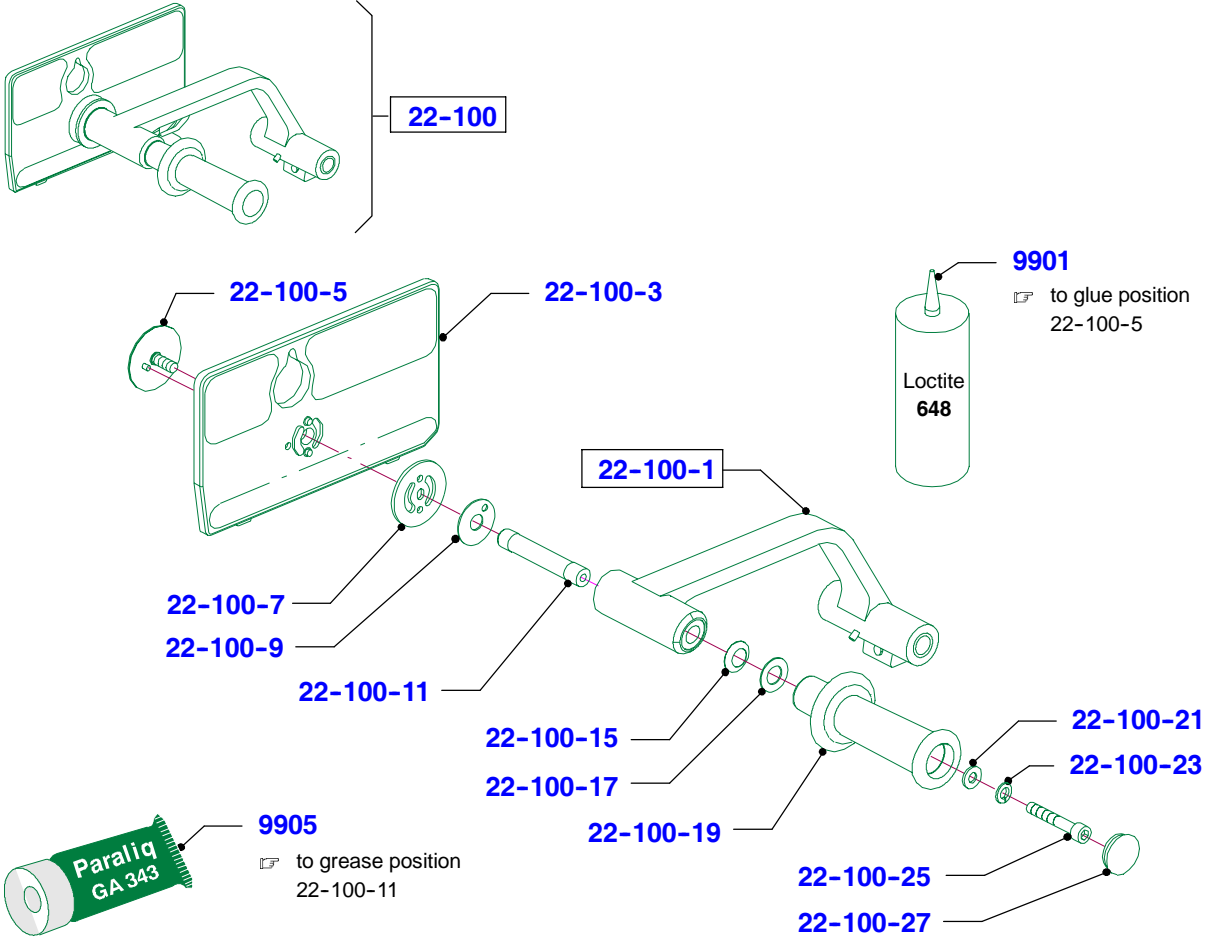
Carriage inclination 18°, Low - inclined slicer



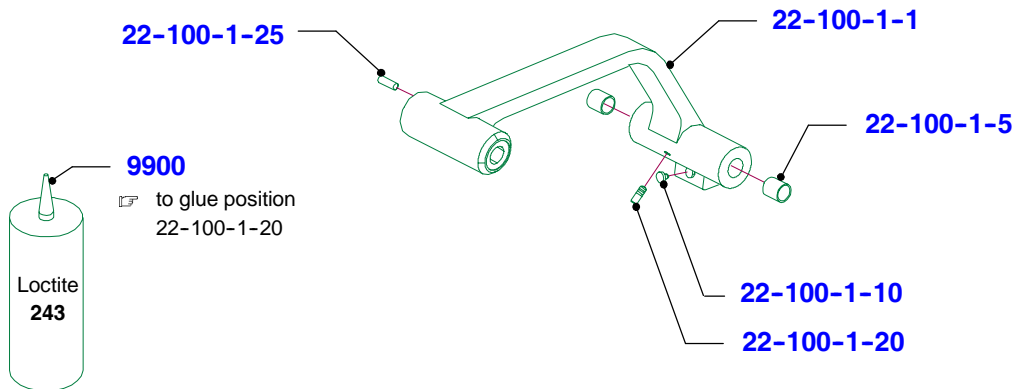
Carriage

Carriage inclination 18°, Low - inclined slicer

Slider guard + lever



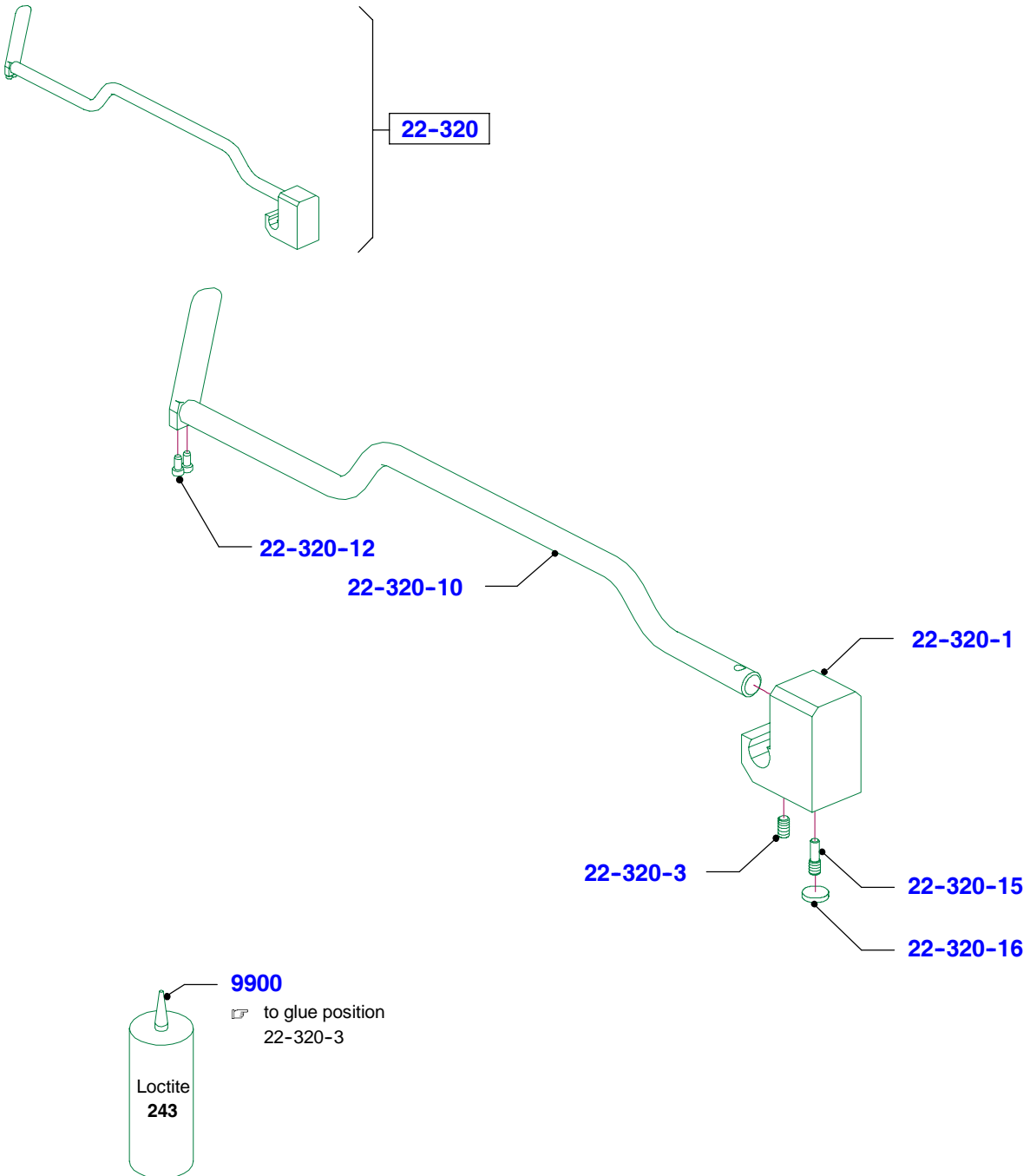
Level, pre-mounted, inclined slicer 18°



Carriage

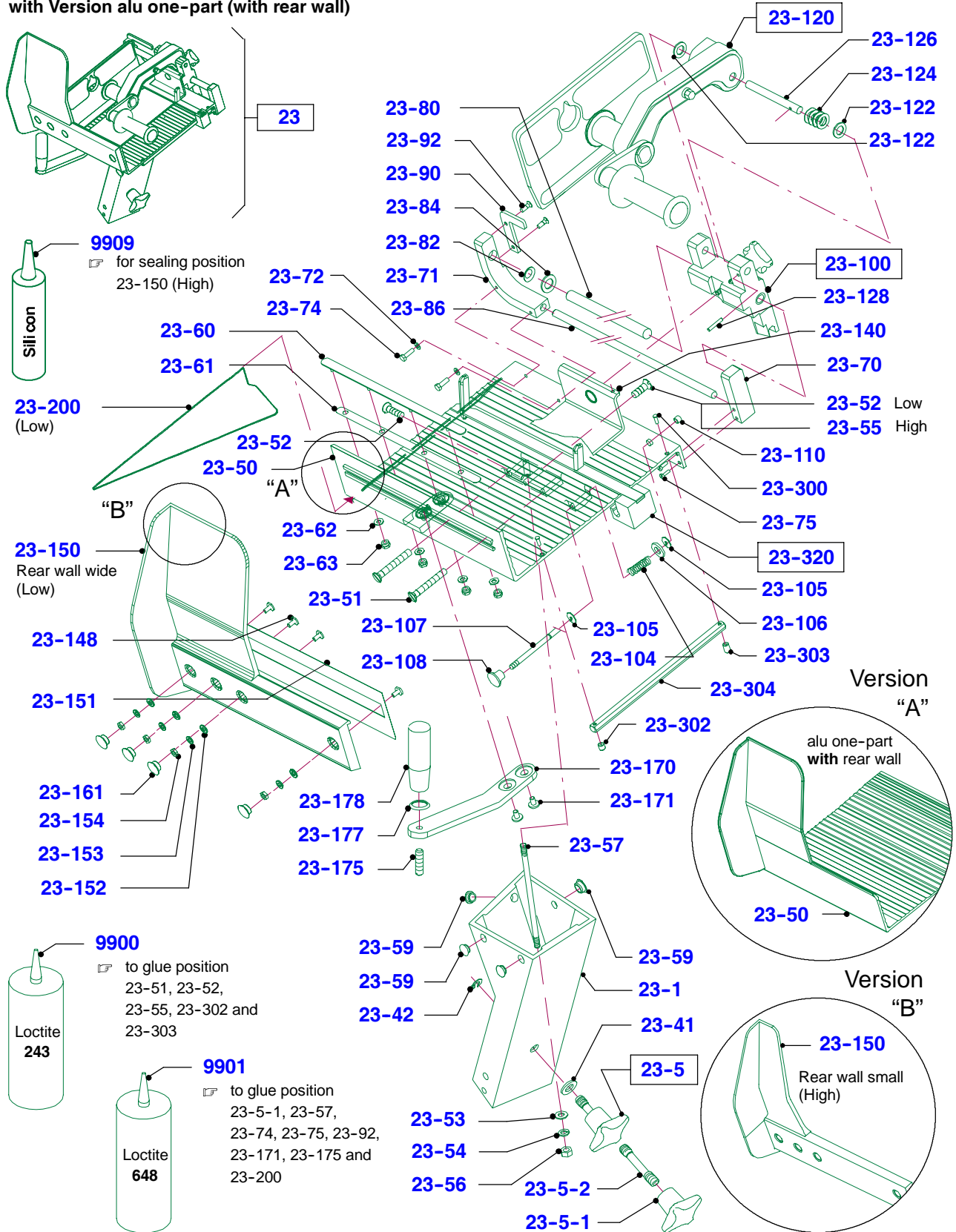
Carriage inclination 18°, Low - inclined slicer

Salami guide



Carriage

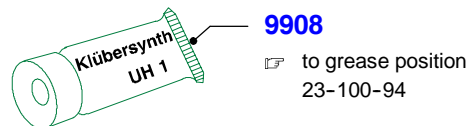
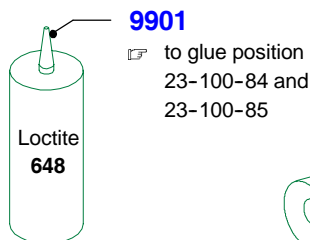
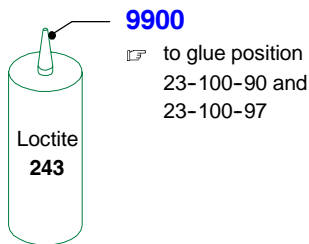
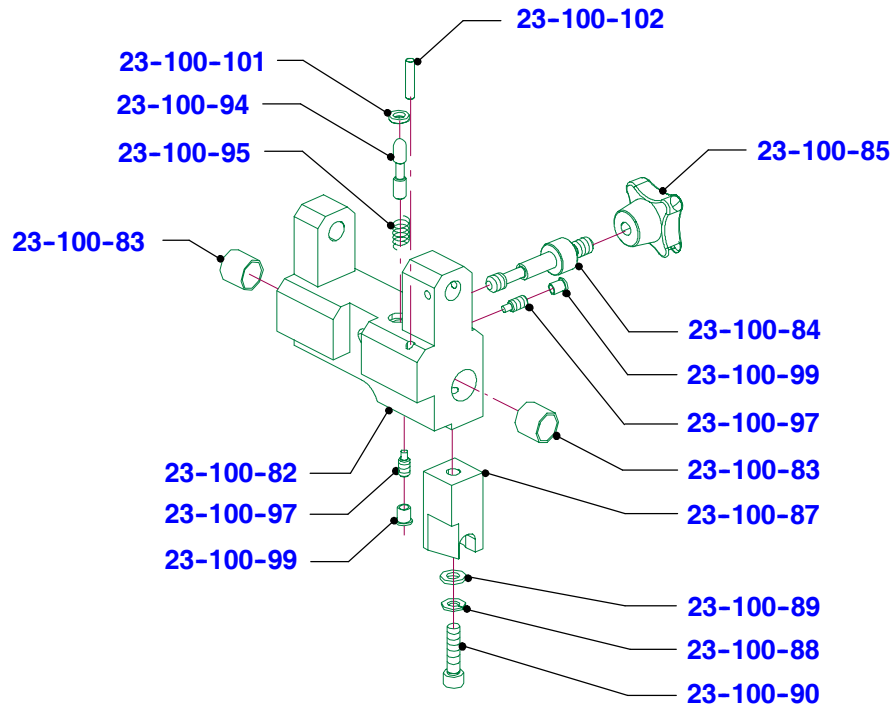
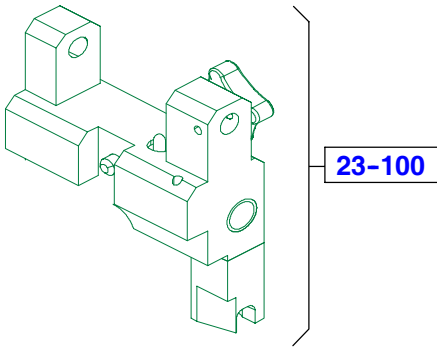
Carriage inclination 18°, Low, High - clamping carriage with Version alu one-part (with rear wall)



Carriage

Carriage inclination 18°, Low, High - clamping carriage

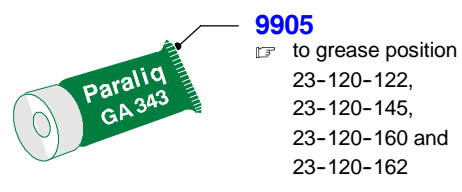
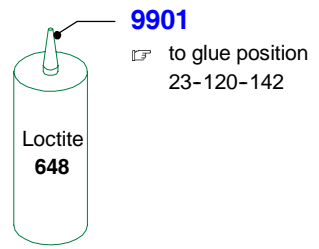
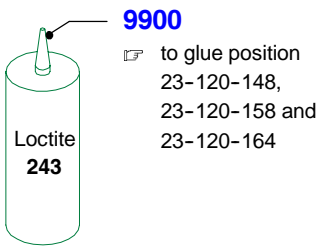
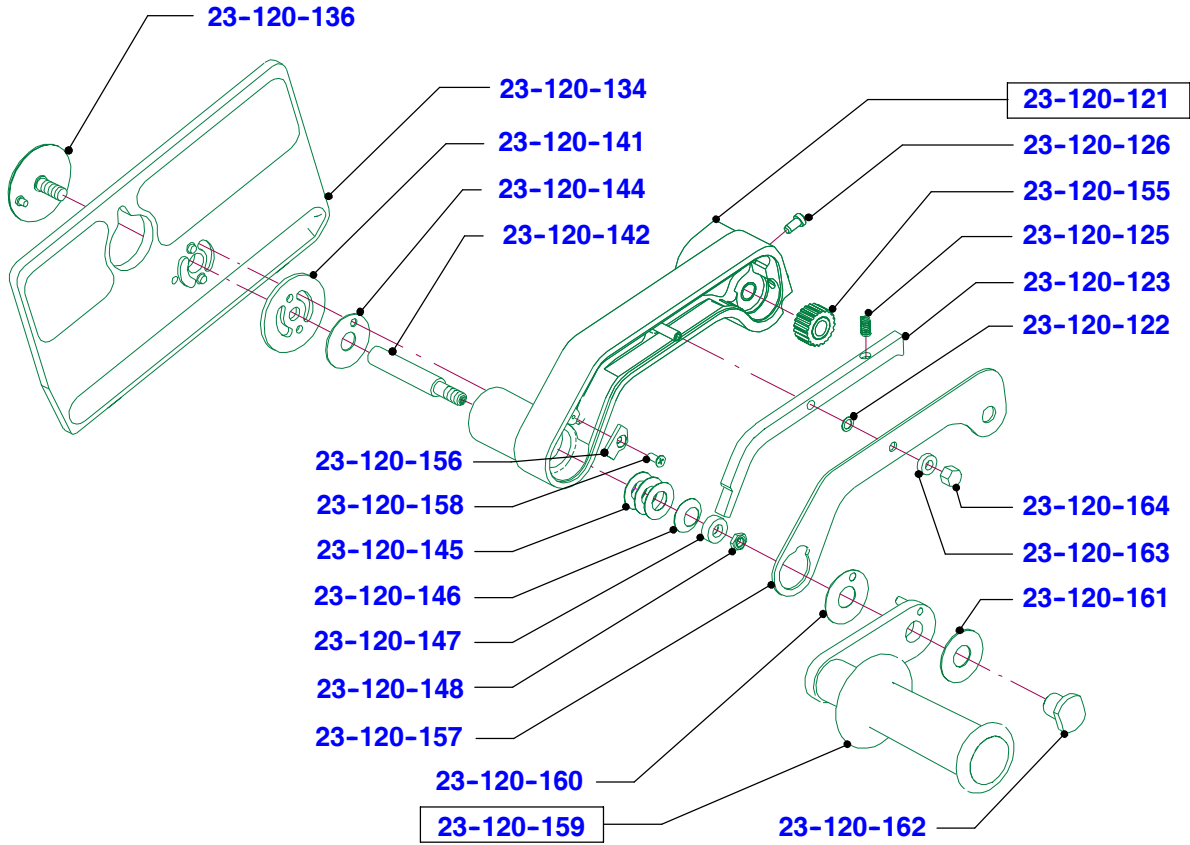
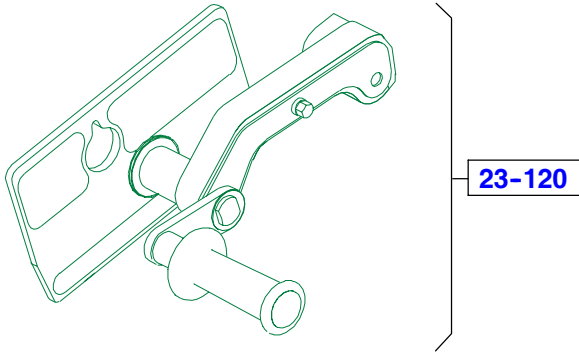
Guide, pre-mounted



Carriage

Carriage inclination 18°, Low, High - clamping carriage

Slider guard + lever

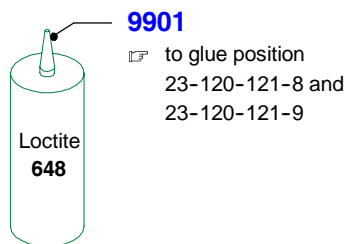
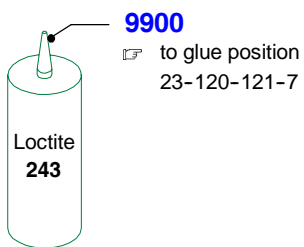
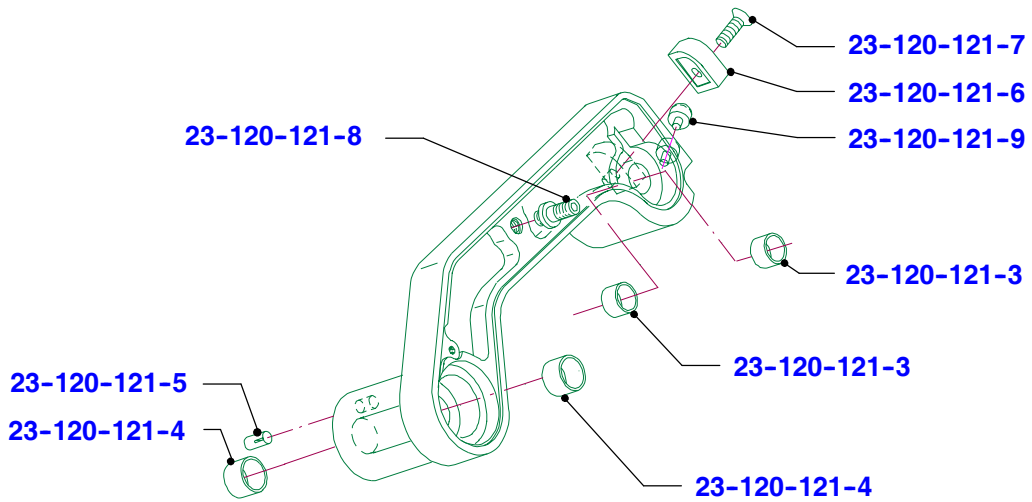
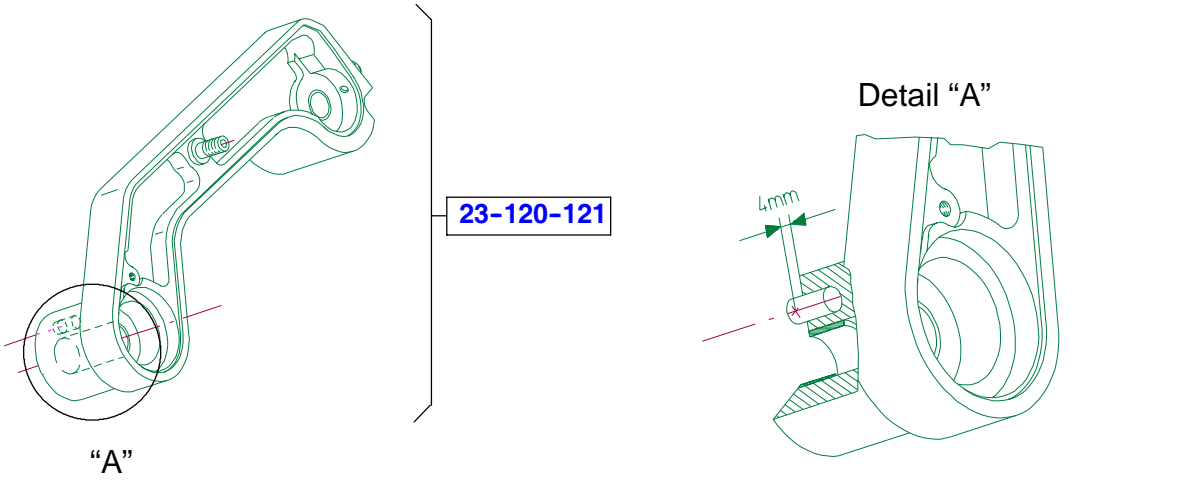


4

Carriage

Carriage inclination 18°, Low, High - clamping carriage

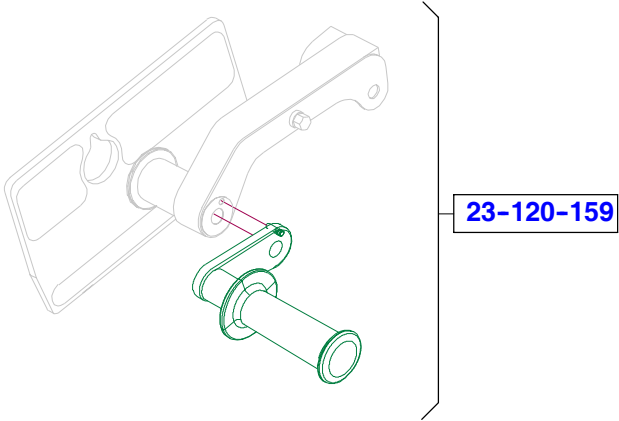
Level, pre-mounted



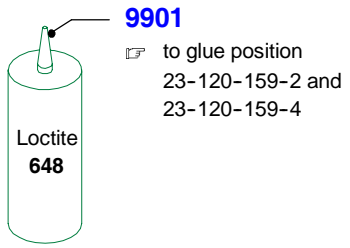
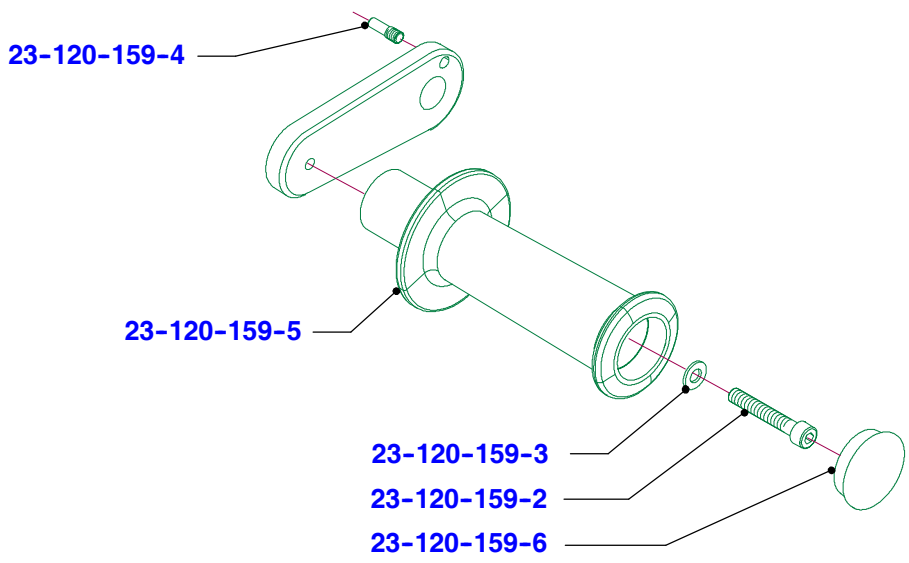
Carriage

Carriage inclination 18°, Low, High - clamping carriage

Level extension, mounted



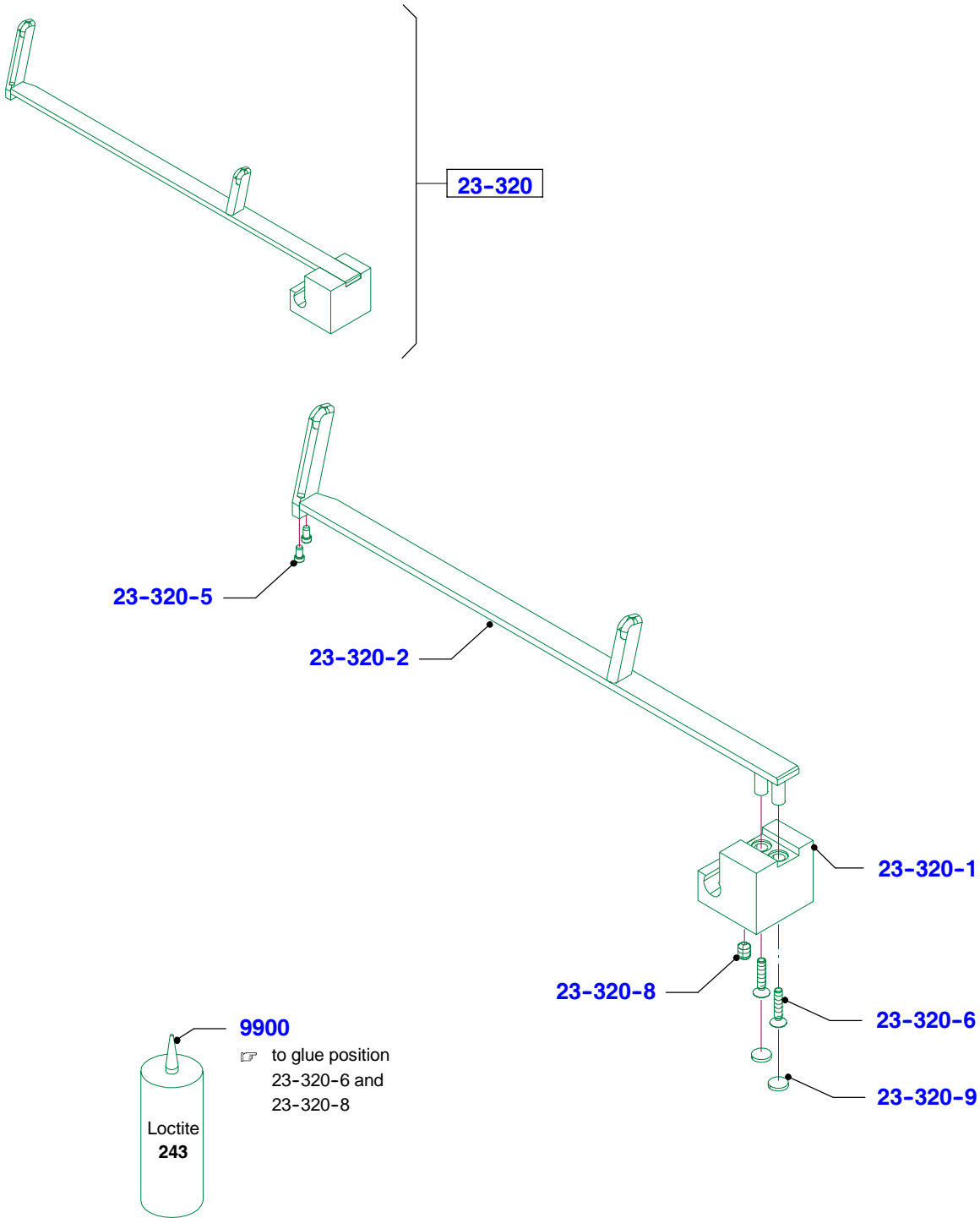
4



Carriage

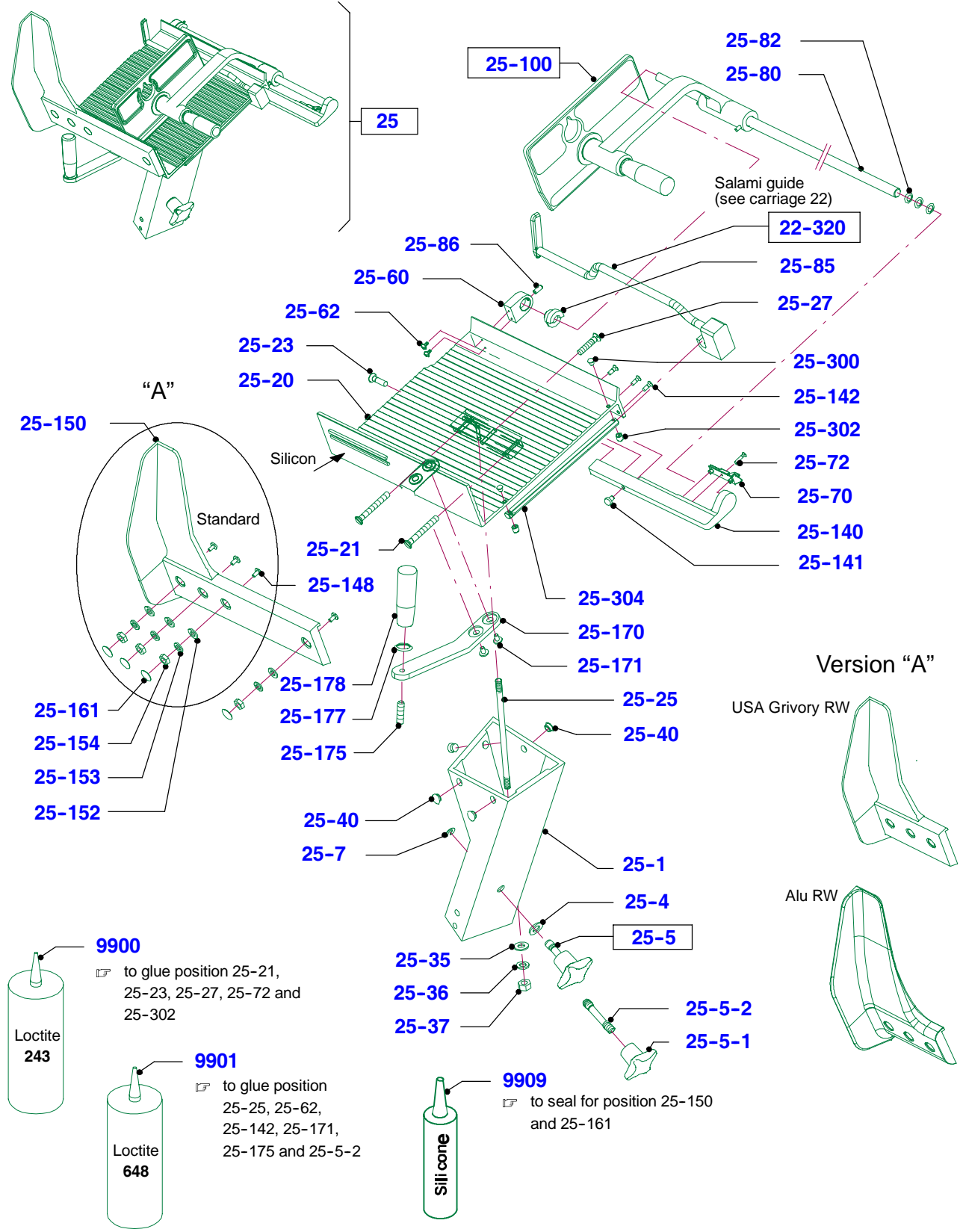
Carriage inclination 18°, Low, High - clamping carriage

Product fixation, mounted



Carriage

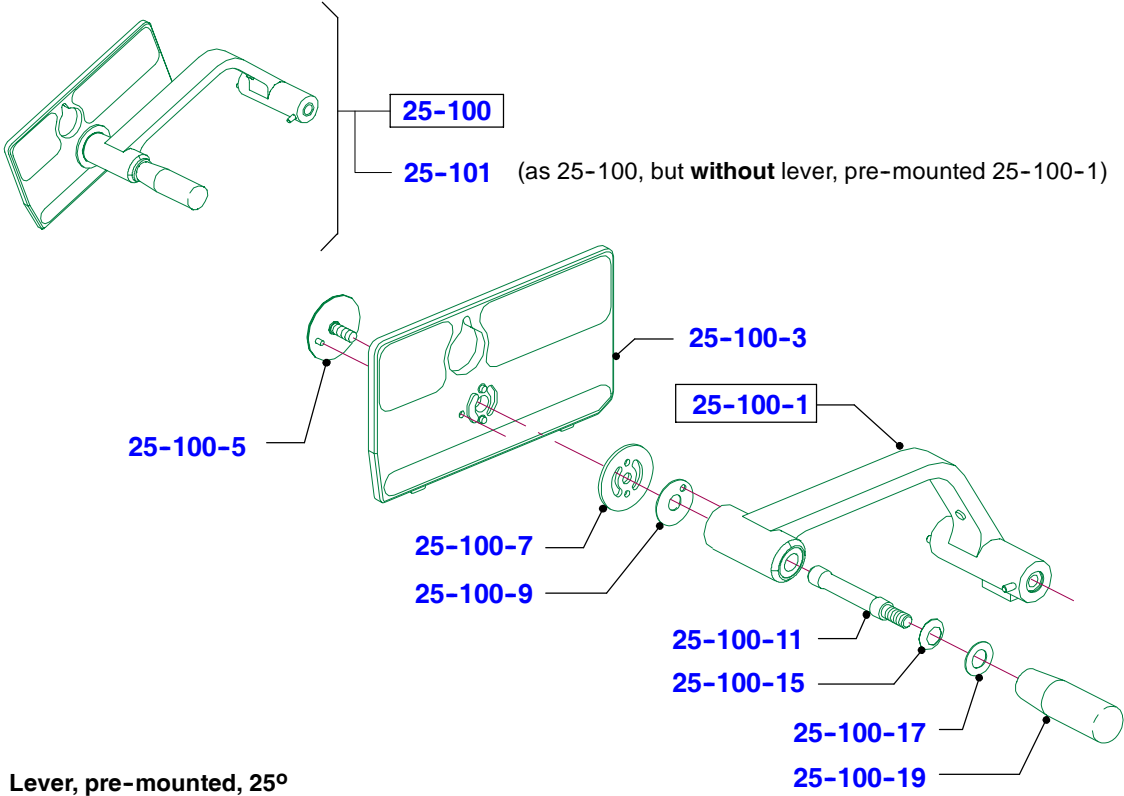
Carriage inclination 25°, High, Alu RW and USA Grivory RW



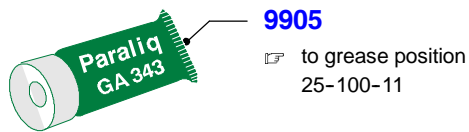
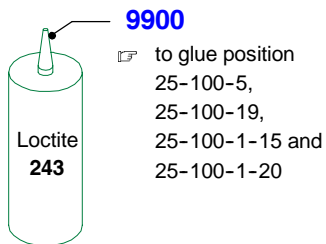
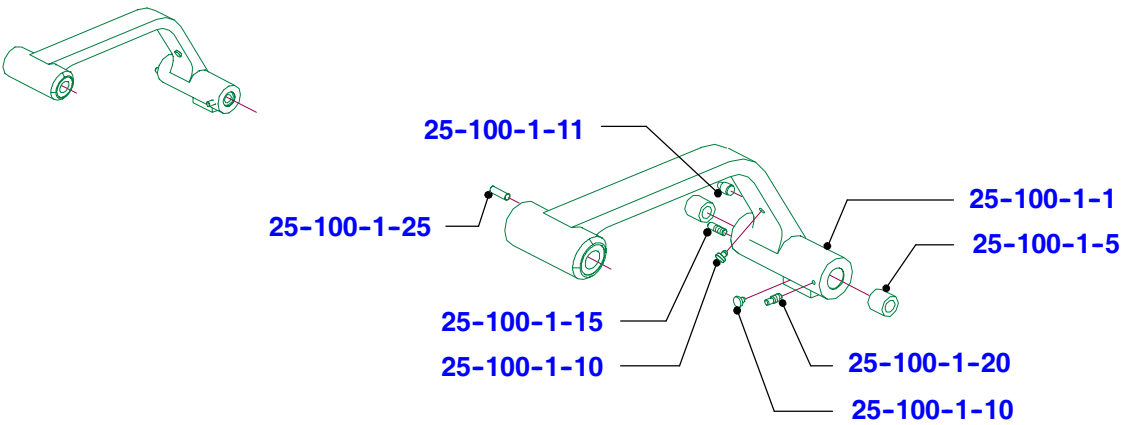
Carriage

Carriage inclination 25°, High, Alu RW and USA Grivory RW

Slider guard + lever

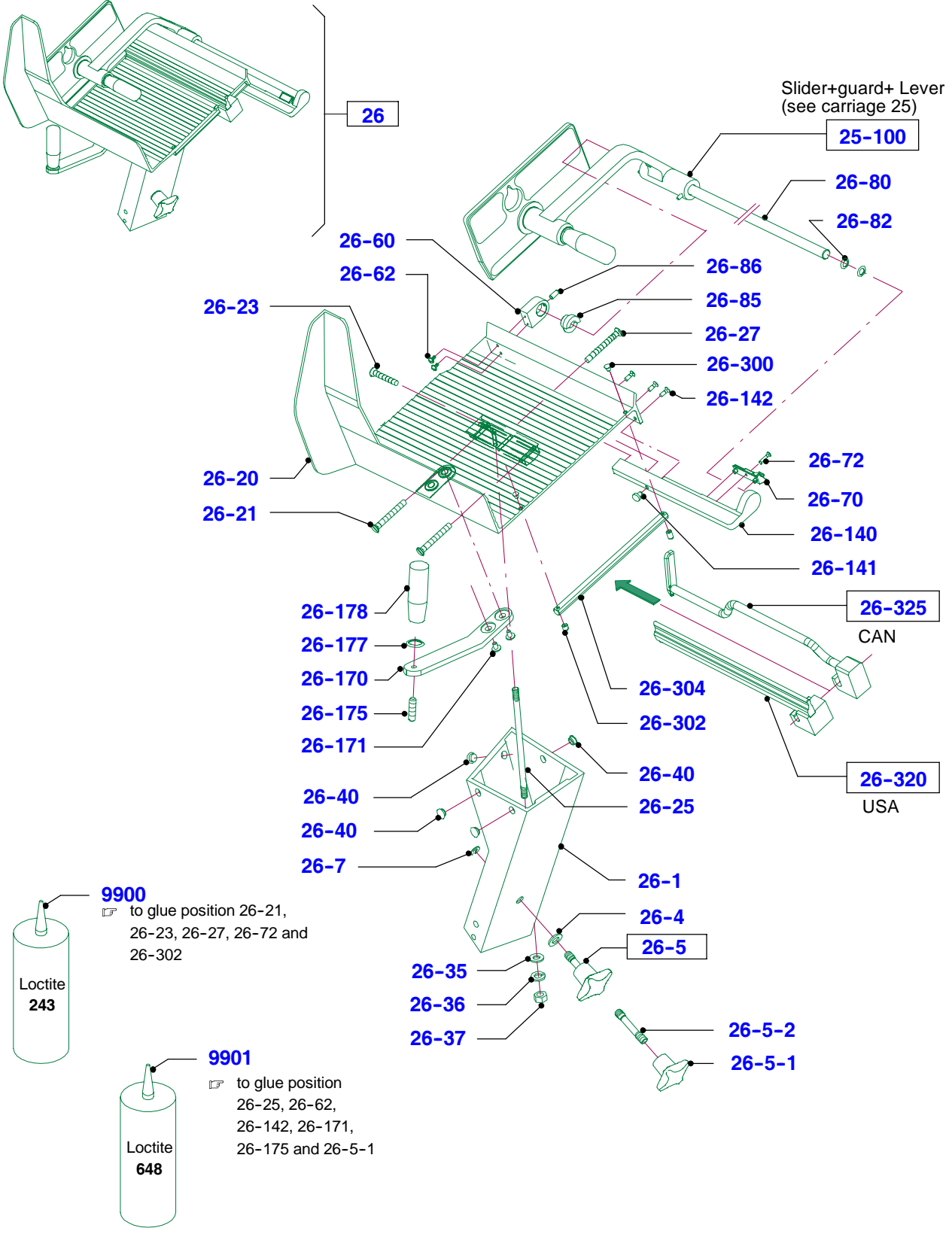


Lever, pre-mounted, 25°



Carriage

Carriage inclination 25°, High, Alu welded, USA and CAN

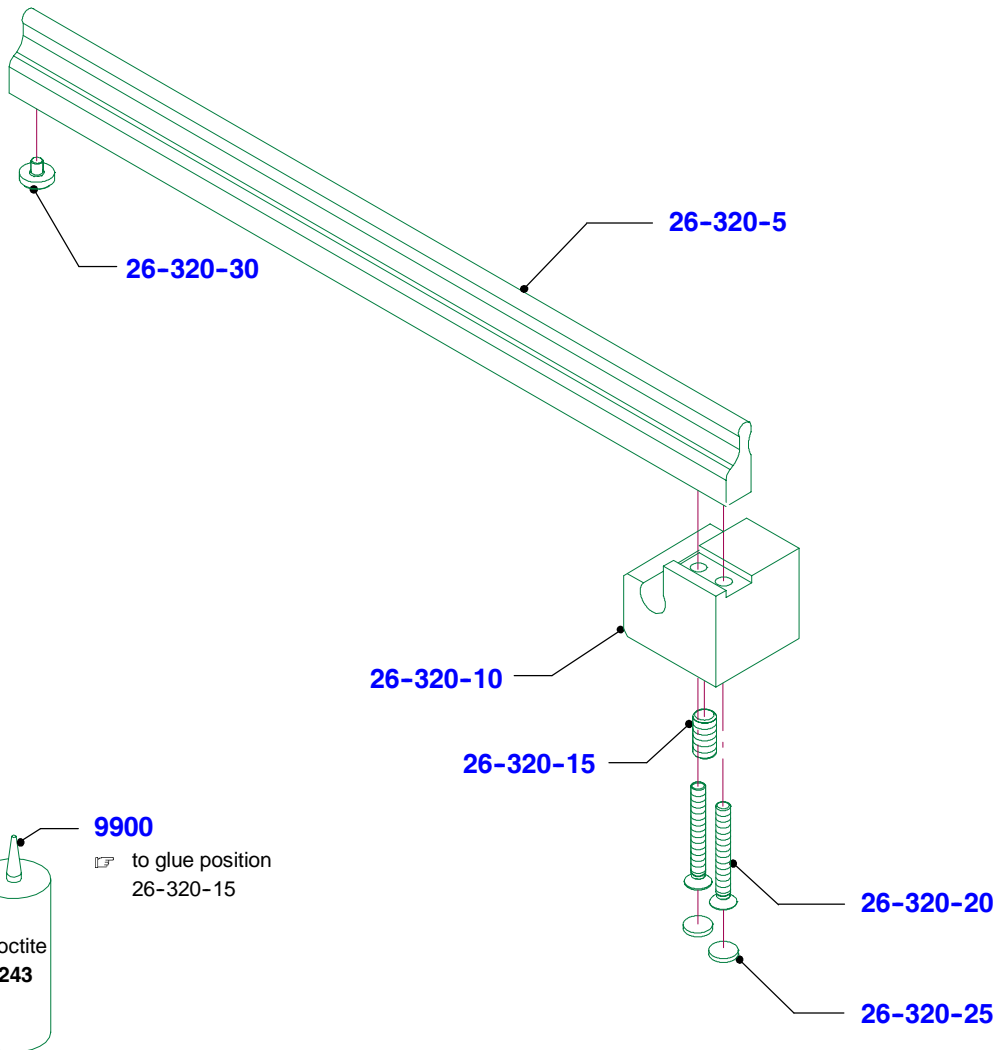
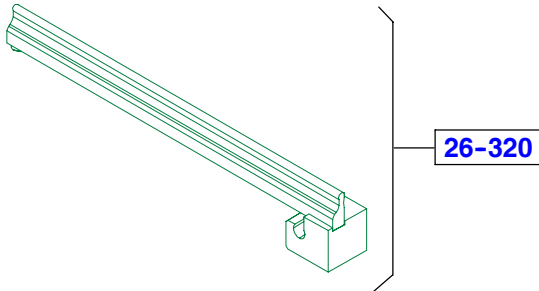


4

Carriage

Carriage inclination 25°, High, Alu welded, USA

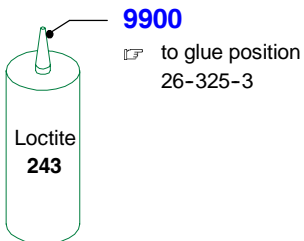
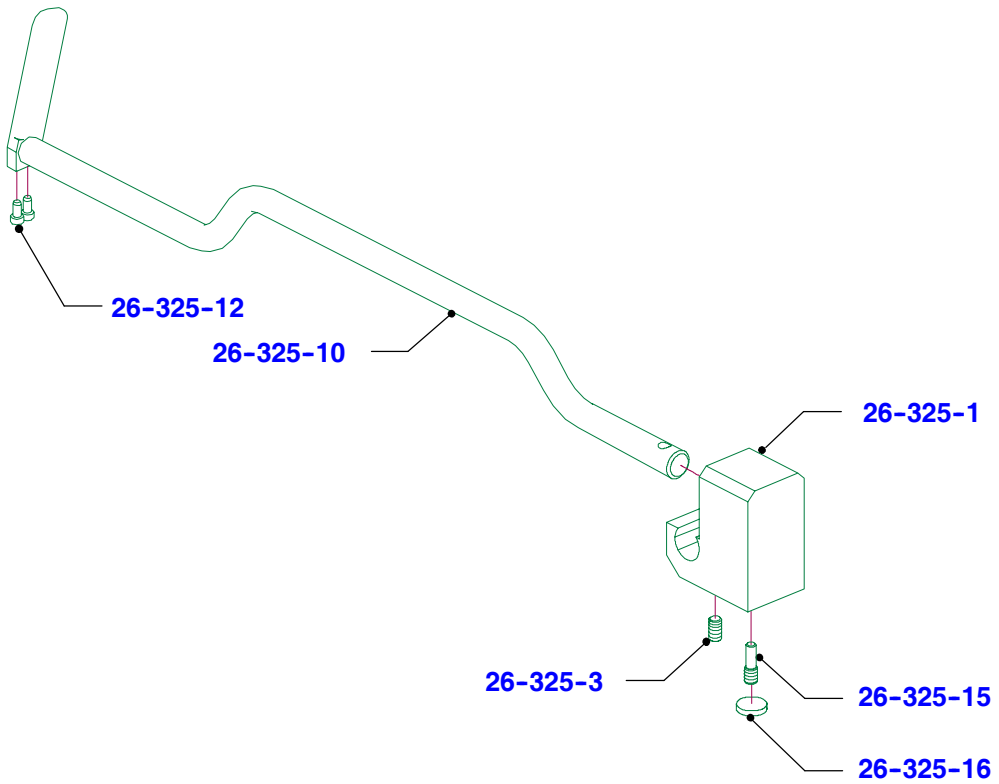
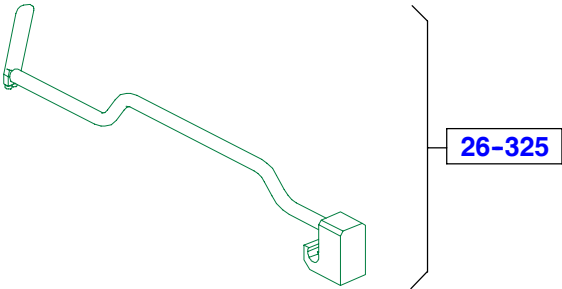
Slider with ruler



Carriage

Carriage inclination 25°, High, Alu welded, CAN

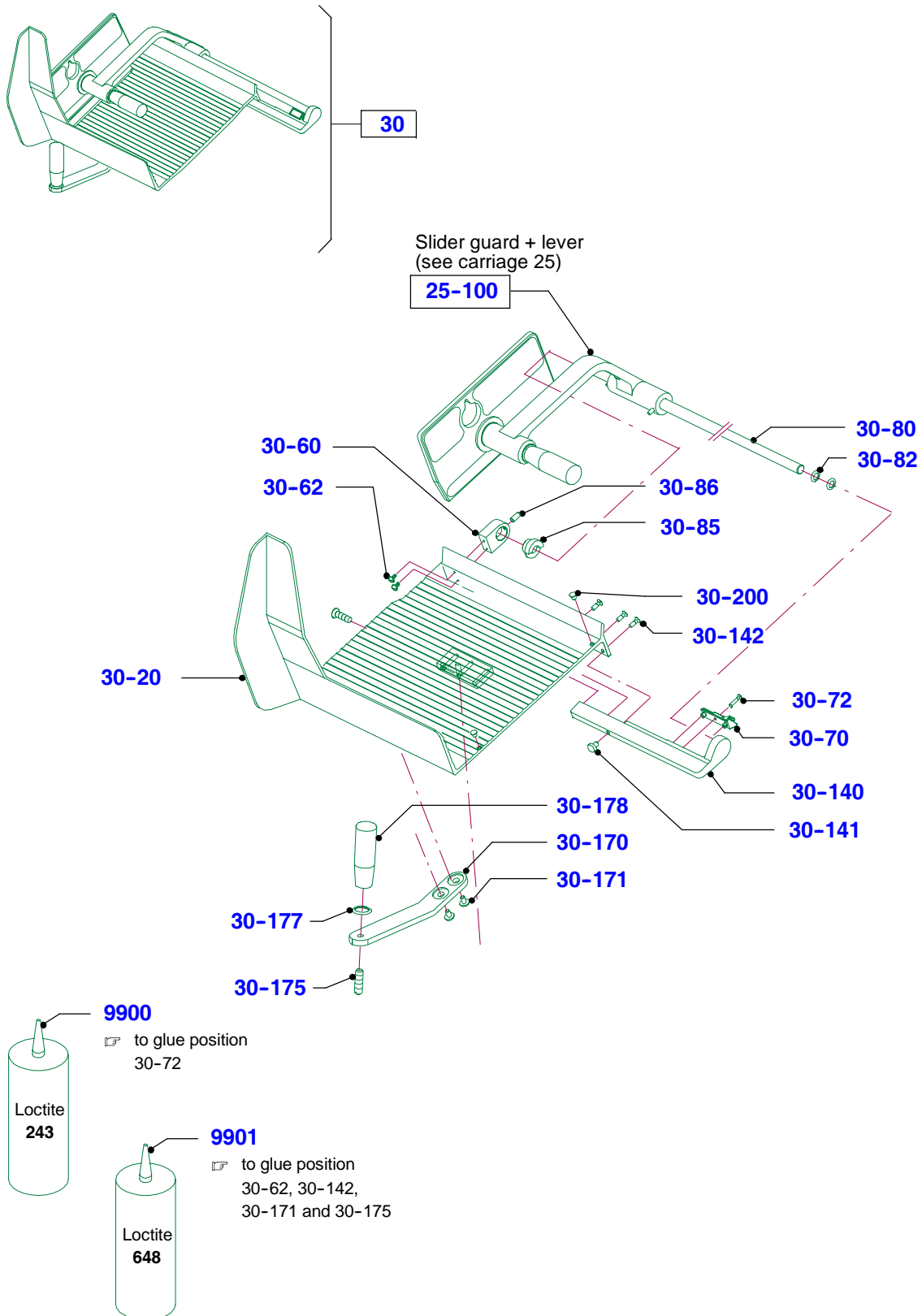
Salami guide



4

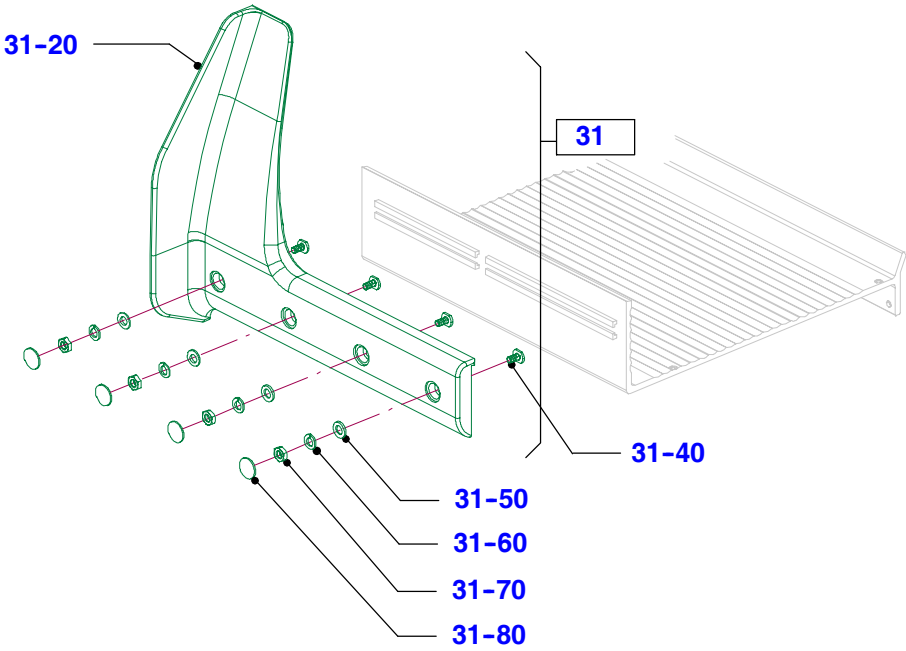
Carriage

Retrofitting set one-part 25° - Alu carriage

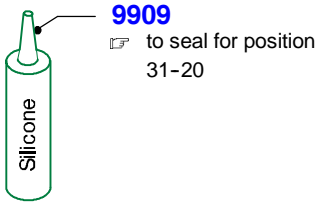


Carriage

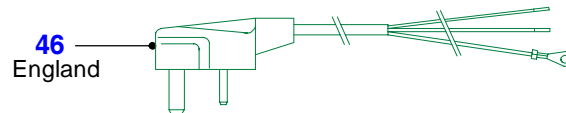
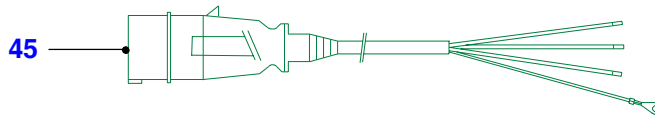
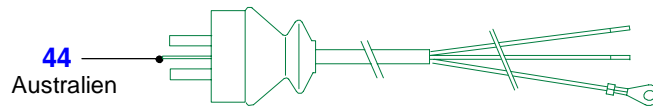
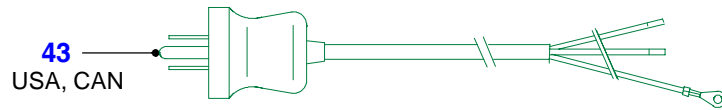
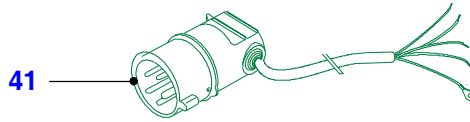
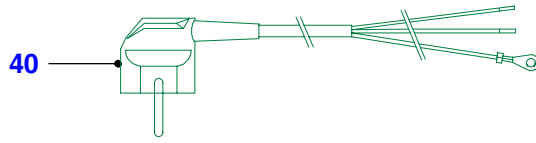
Retrofitting set rear wall Lexan to Alu



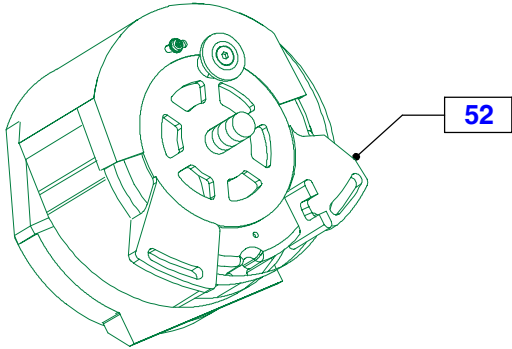
4



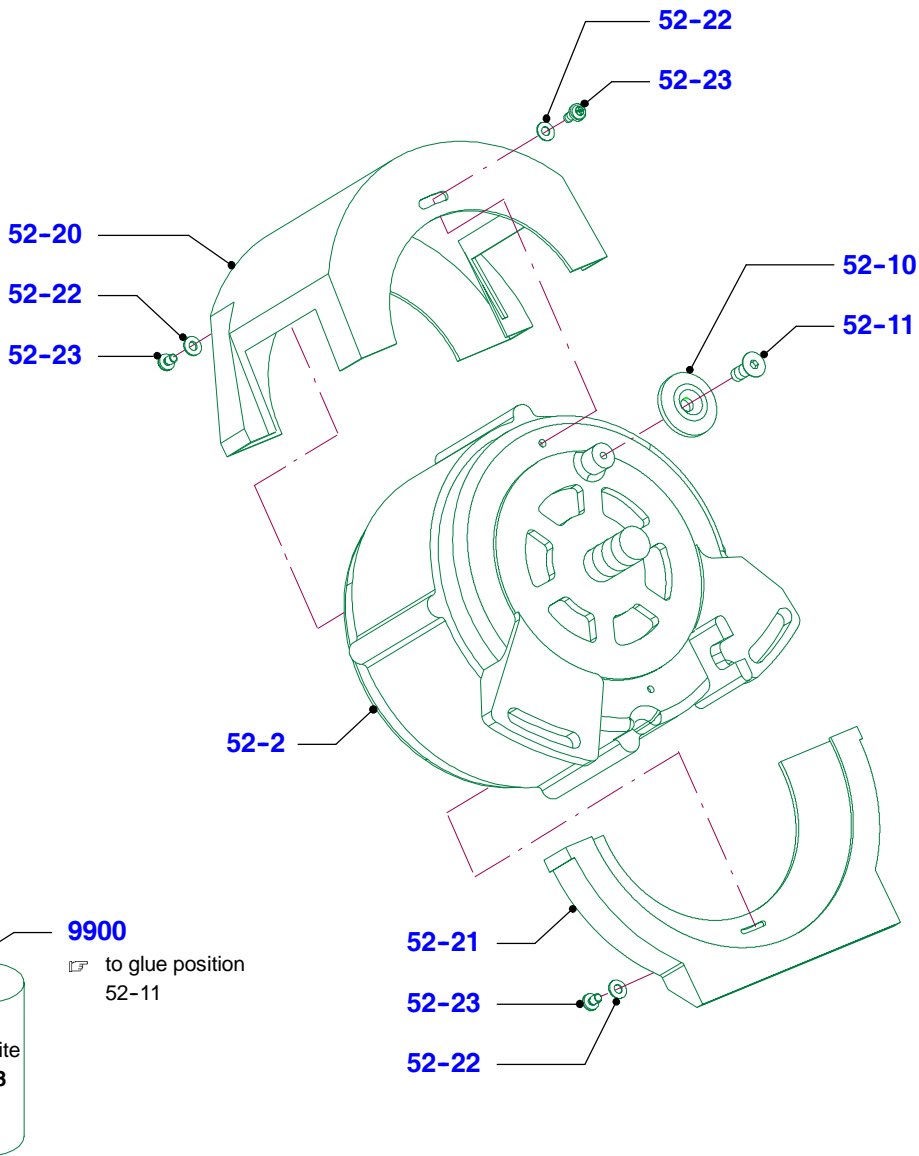
Cables



Built-in motor

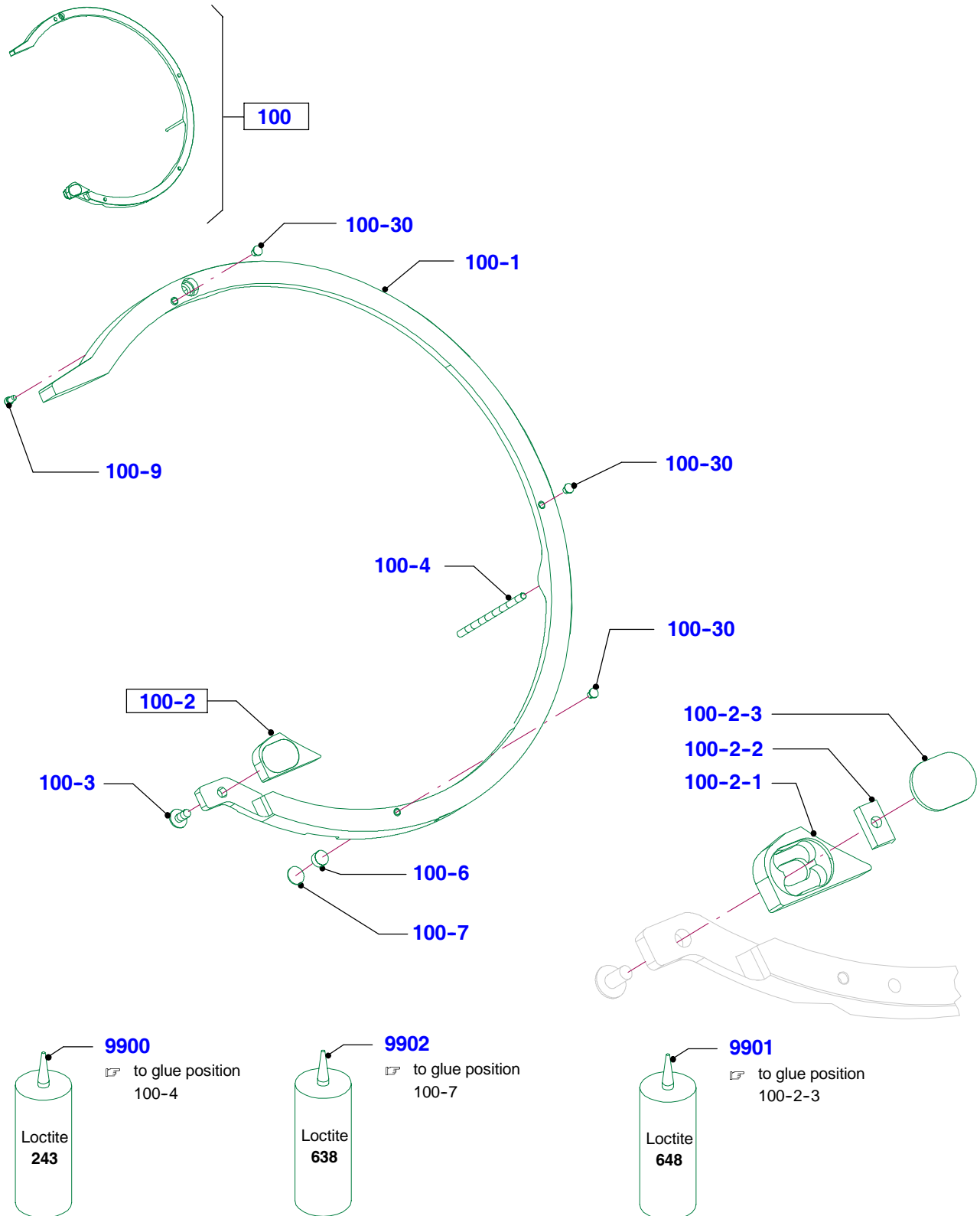


4



Blade guard ring

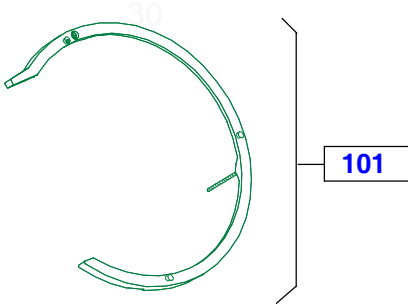
Carriage inclination 0°,
with product supporter, blade cover **centrally** fastened, up to device-no. 10498129



Blade guard ring

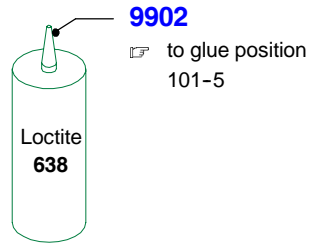
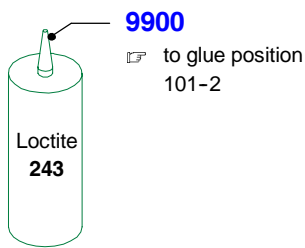
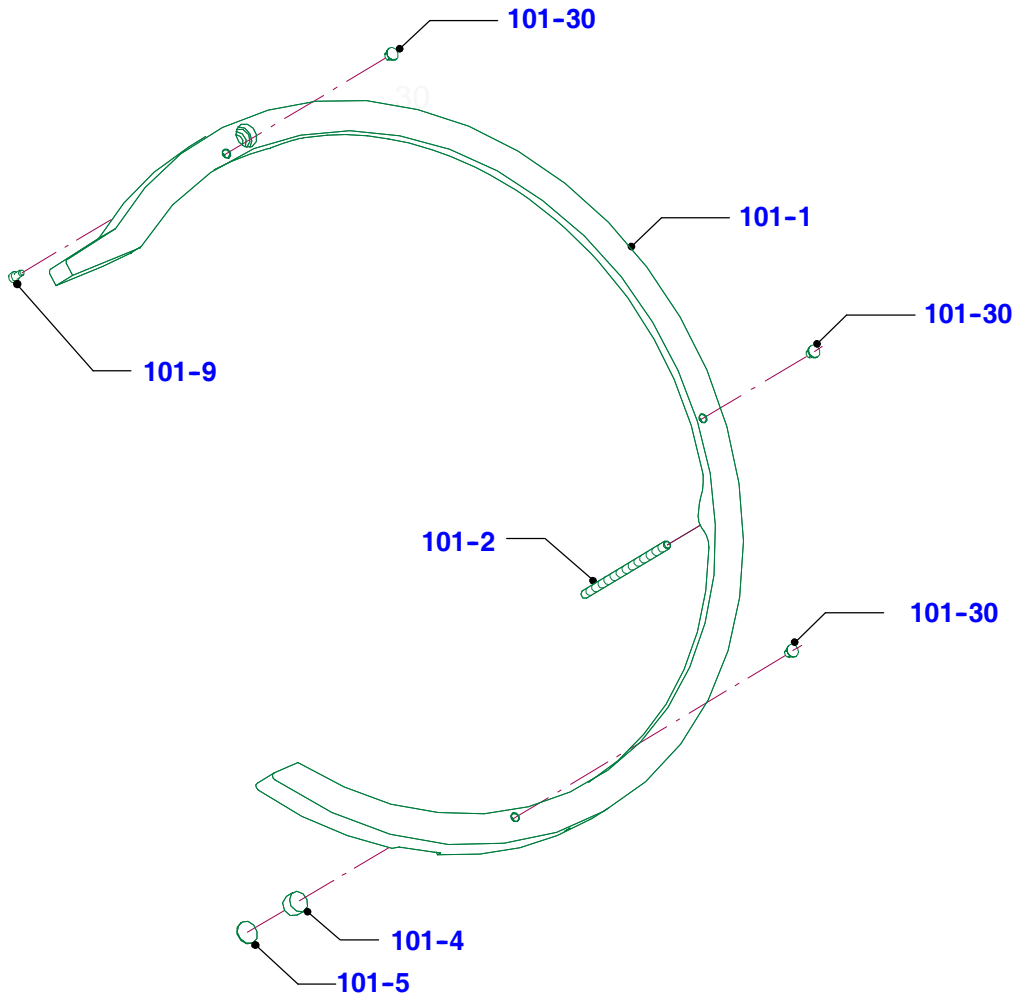
Carriage inclination 18°, Low and High

Blade cover **centrally** fastened, up to device-no. 10498129



Schutzring hochverbleih18°?

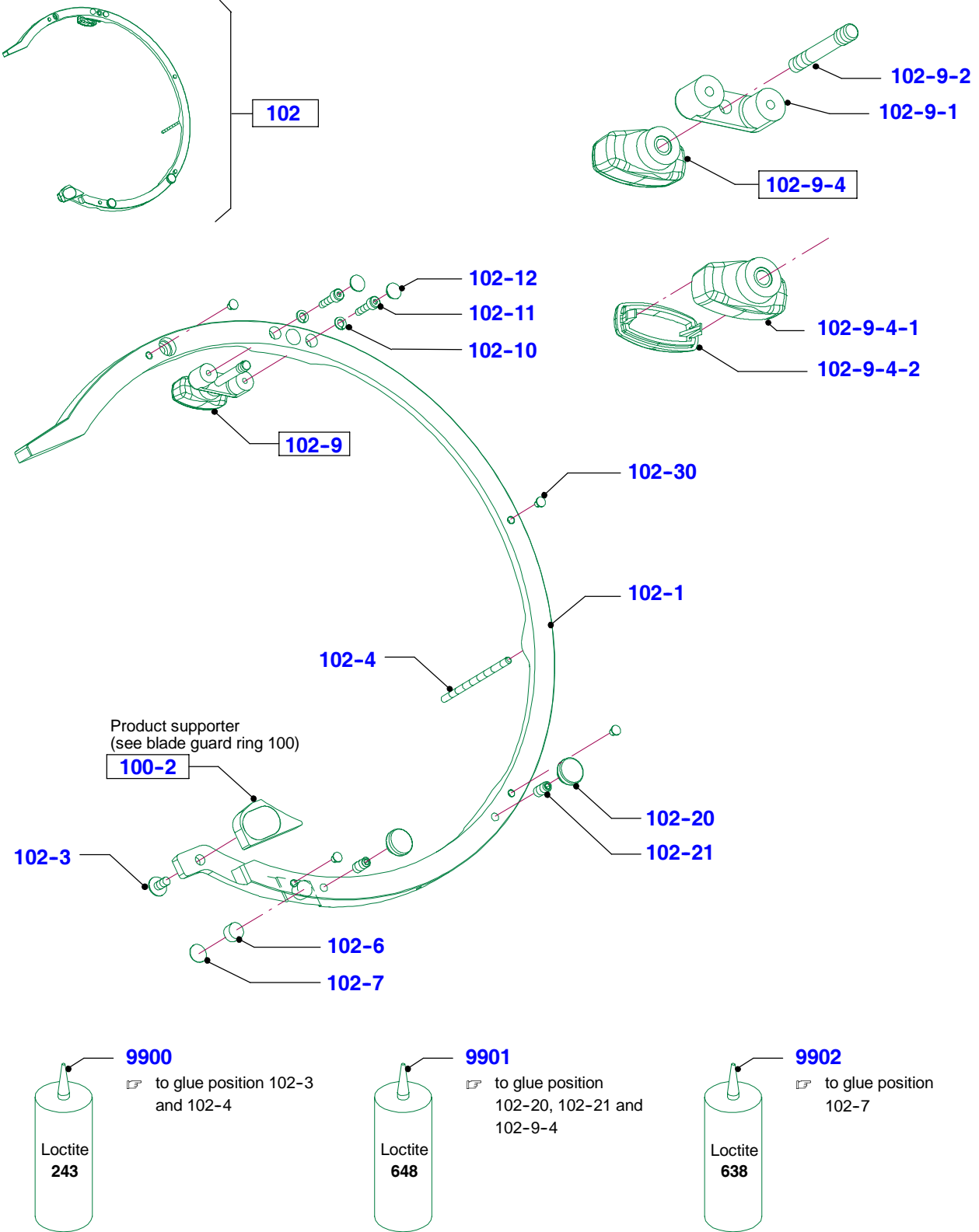
4



Blade guard ring

Carriage inclination 0°,

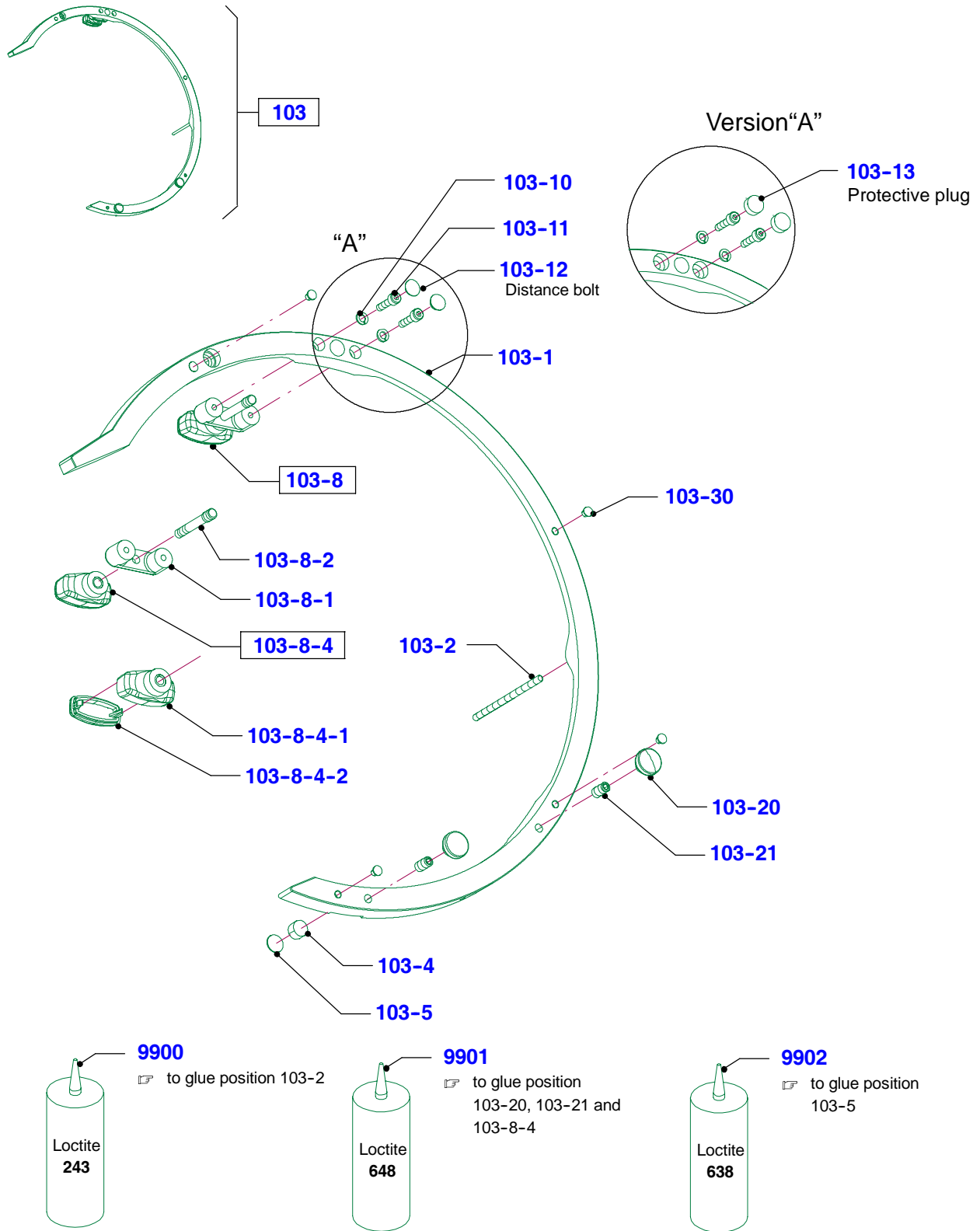
with product supporter, blade cover *decentrally* fastened, from device-no. 10498130



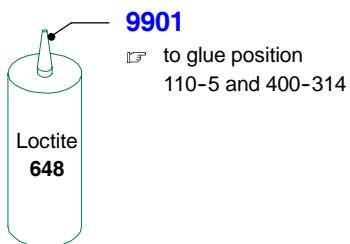
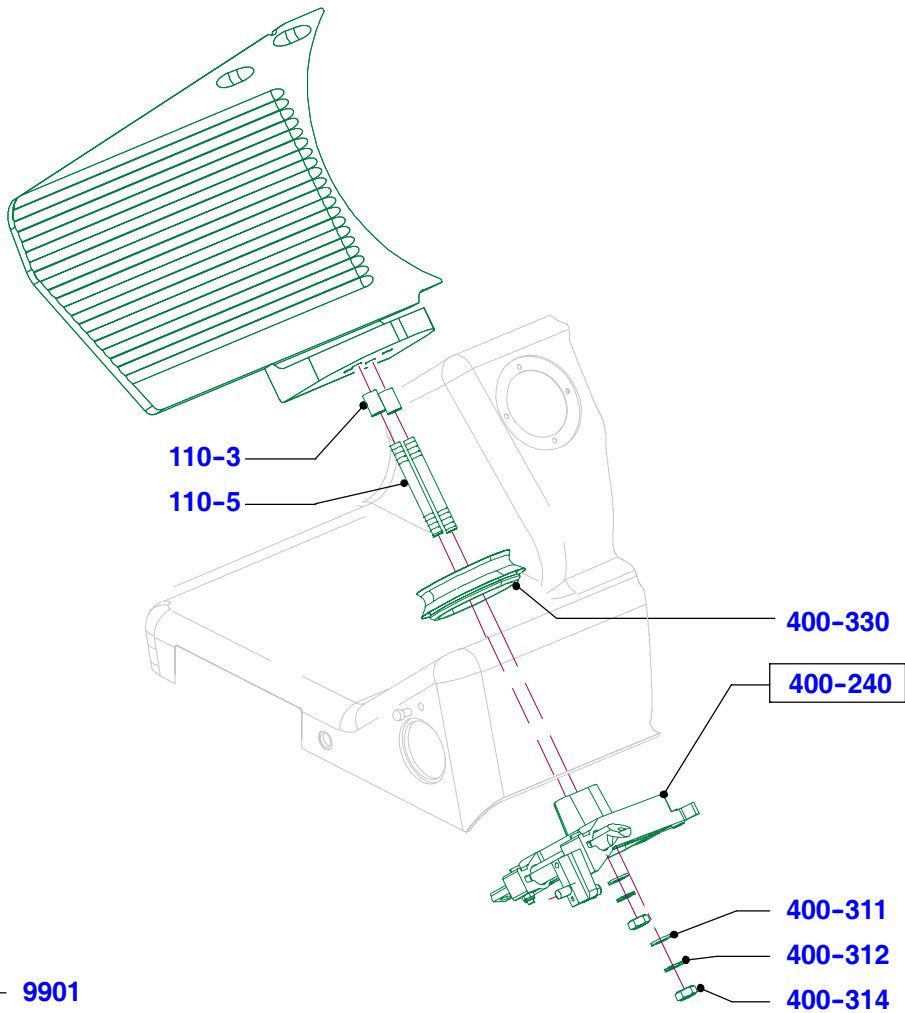
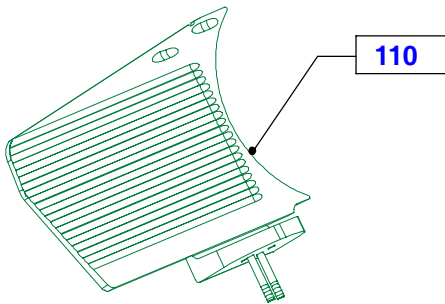
Blade guard ring

Carriage inclination 18°, Low and High

without product supporter, blade cover **decentrally** fastened, from device-no. 10498130

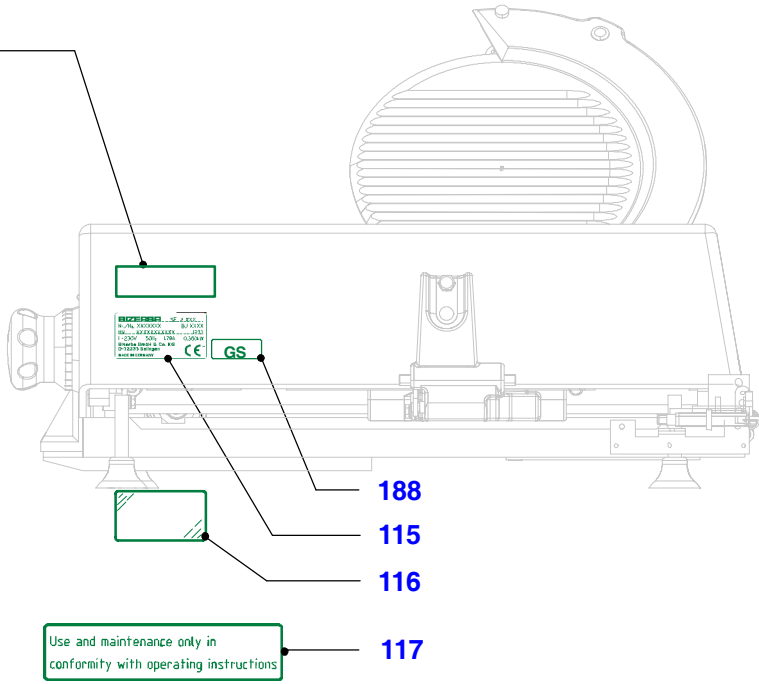


Gauge plate



Signs

- DEU **200**
- ENG **201**
- FRAN **202**
- ITA **203**
- ESP **204**
- PRT **205**
- DNK **206**
- FLA **207**
- SWE **208**
- NDL **209**
- RUSS **210**
- GRIE **211**
- TSCHE **212**
- UNGAR **213**
- POL **214**
- SERBO-KROAT **215**



138 →

WARNING INSTRUCTIONS

To all customers, supervisors and operators of Bizerba equipment

Your safety is our concern.

- Use machine only for its intended purpose.
- Before initiation and operation make sure electrical specifications on electrical signs with your domestic network.
- Power supply, voltage and proper grounding to be checked by qualified and certified electrical staff. Faulty connection could cause fatal injury and result in machine damage.
- Installation, taking of spare parts, instruction and training of operators and staff to be applied not only by Bizerba User but also personnel authorized by Bizerba O&M.
- Only adult, trained, qualified and authorized personnel is allowed to operate, clean, fix, use and maintain machine and to transport. Bizerba instruct manual personnel in strict accordance with our operating instructions.
- Improper use could cause serious injuries and machine damage.
- Inspection and testing to be repeated frequently.
- Safety and protective devices (such as) not to be removed or altered under any circumstances. Technical modifications are not permitted.
- Use only original Bizerba spare accessories and lubricants.
- Do not install or operate machine if damaged during transport. Call Bizerba service immediately.
- Unplug machine prior to any servicing, maintenance, cleaning, sanding, and inspection.
- Machine never to be operated without supervisor.
- Always follow safety and wear the instructions as mentioned on warning signs and if not, have to be replaced immediately.

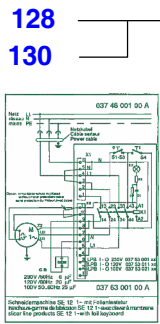
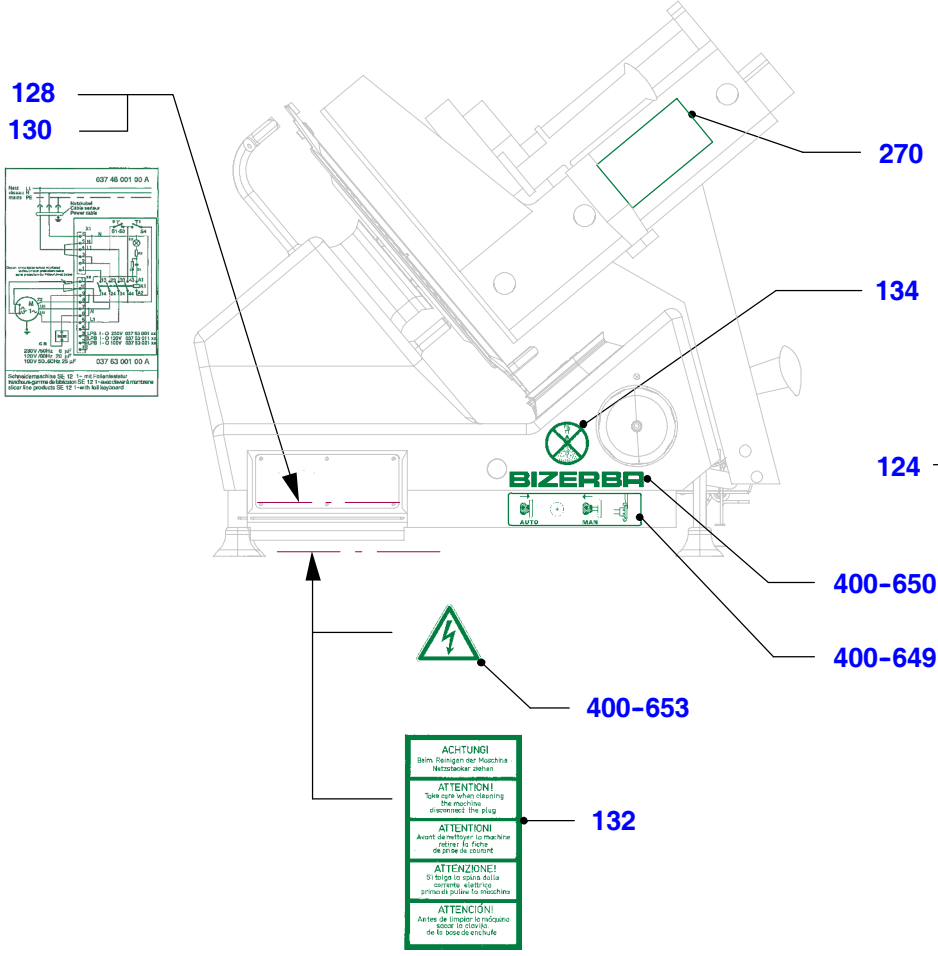
For repaired will active, without our staff. Responsibility will always remain with the user.

BIZERBA USA, Inc.
21, 26, Jay Road
Plainville, New Jersey 08864
Bizerba 1785 81011
Rev 02/2010 (P&O)

M&P 4/10

137 →

4



SHARPEN AND LUBE DAILY

- clean and dry blade
- set chamfer to 1 for 30 seconds
- then position 2 for 3 seconds

Damage from neglect not covered under warranty

UNIVEX

RE 12 D

BIZERBA



ACHTUNG!
Beim Einlegen der Maschine Netzstecker ziehen

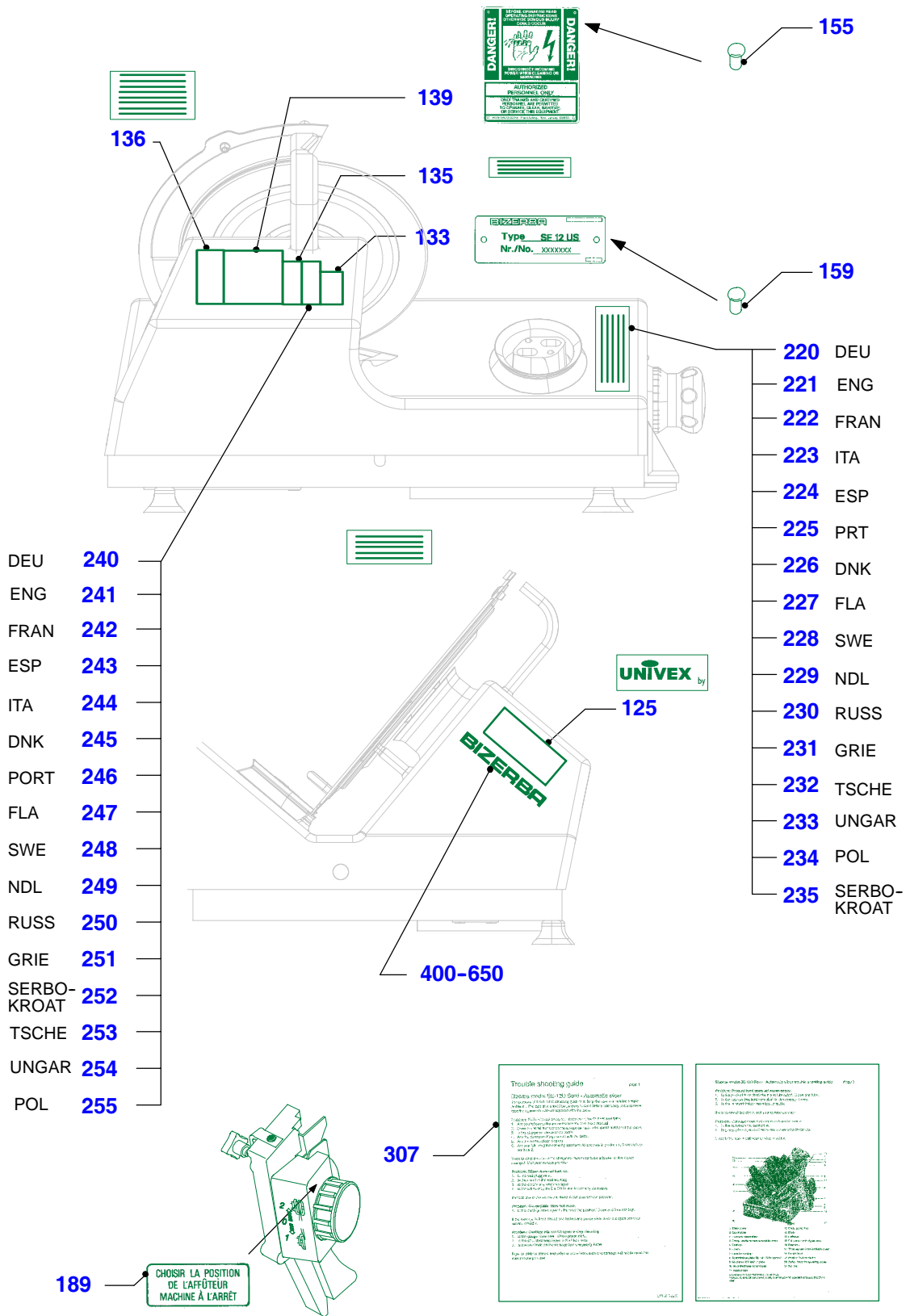
ATTENTION!
Tirez sur le cordon de la machine, enlever le plug

ATTENZIONE!
Accort di metterlo in macchina senza il cavo di alimentazione

ATENCIÓN!
Si tiene la parte de la máquina, desenchufar el enchufe

ATTENZIONE!
Antes de iniciar el trabajo, sacar la clavija de la base de enchufe

Signs



Accessories and operating instructions

Accessories



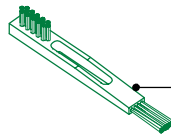
140-1



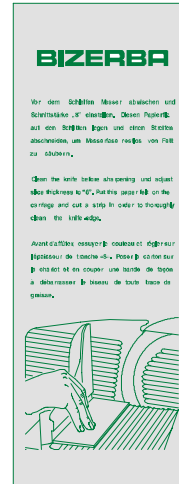
140-4



140-2



140-3



140-5

4

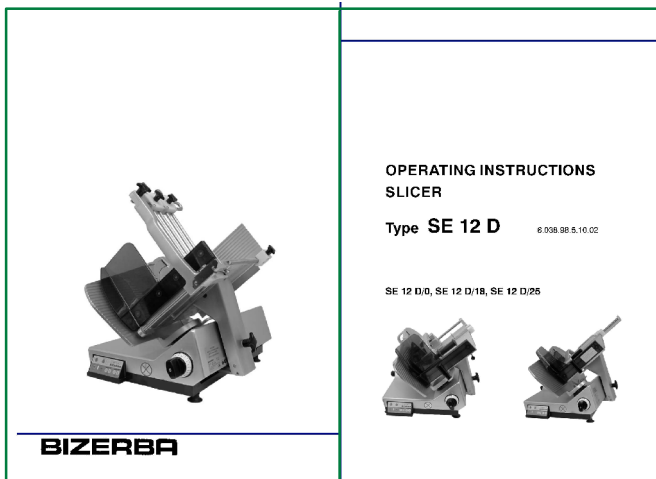
For NSF-version

Cover for hexagon screws in the machine



156
SW 5

Operating instructions



170

171

172

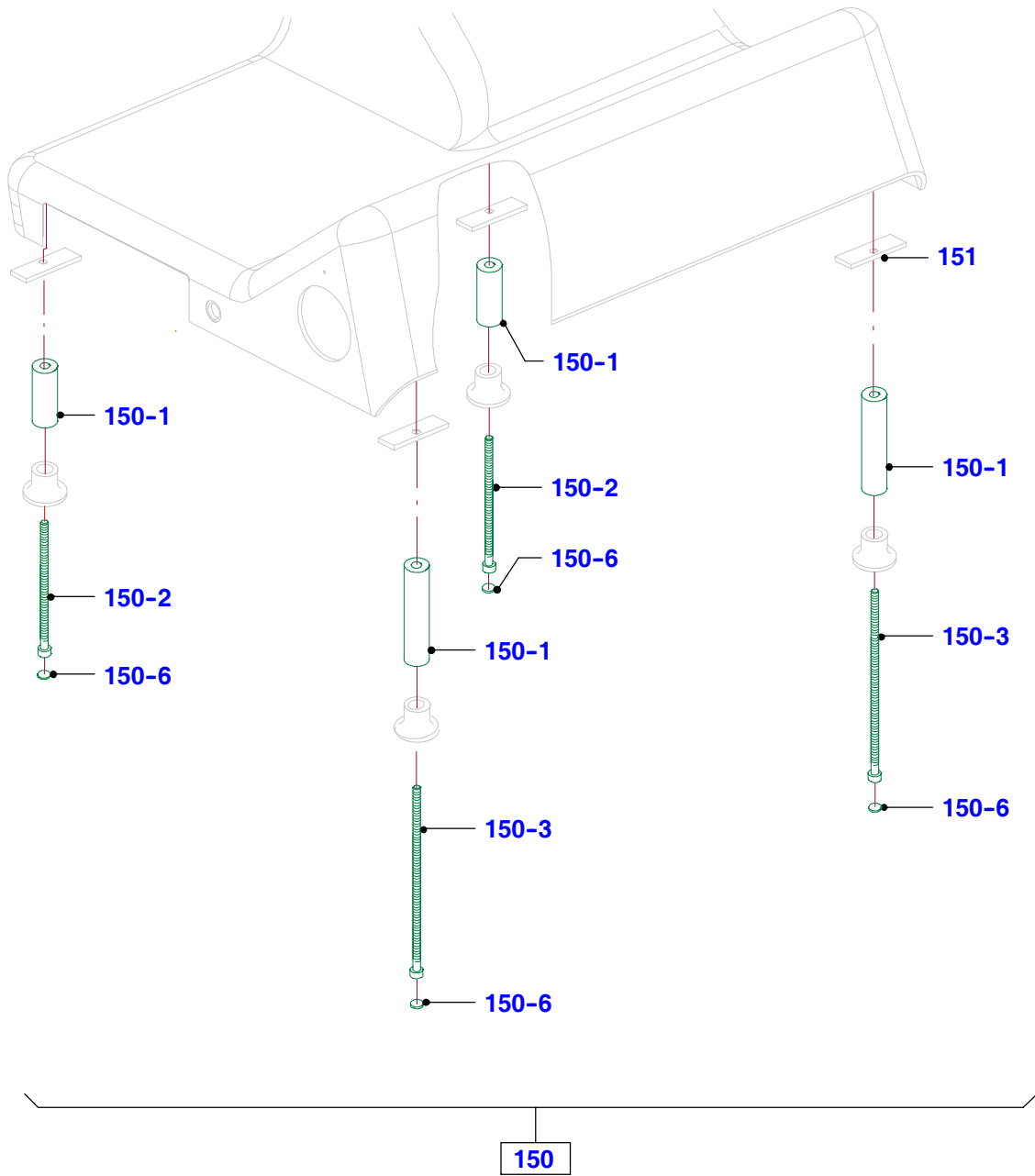
173

174 ESP

175 DNK

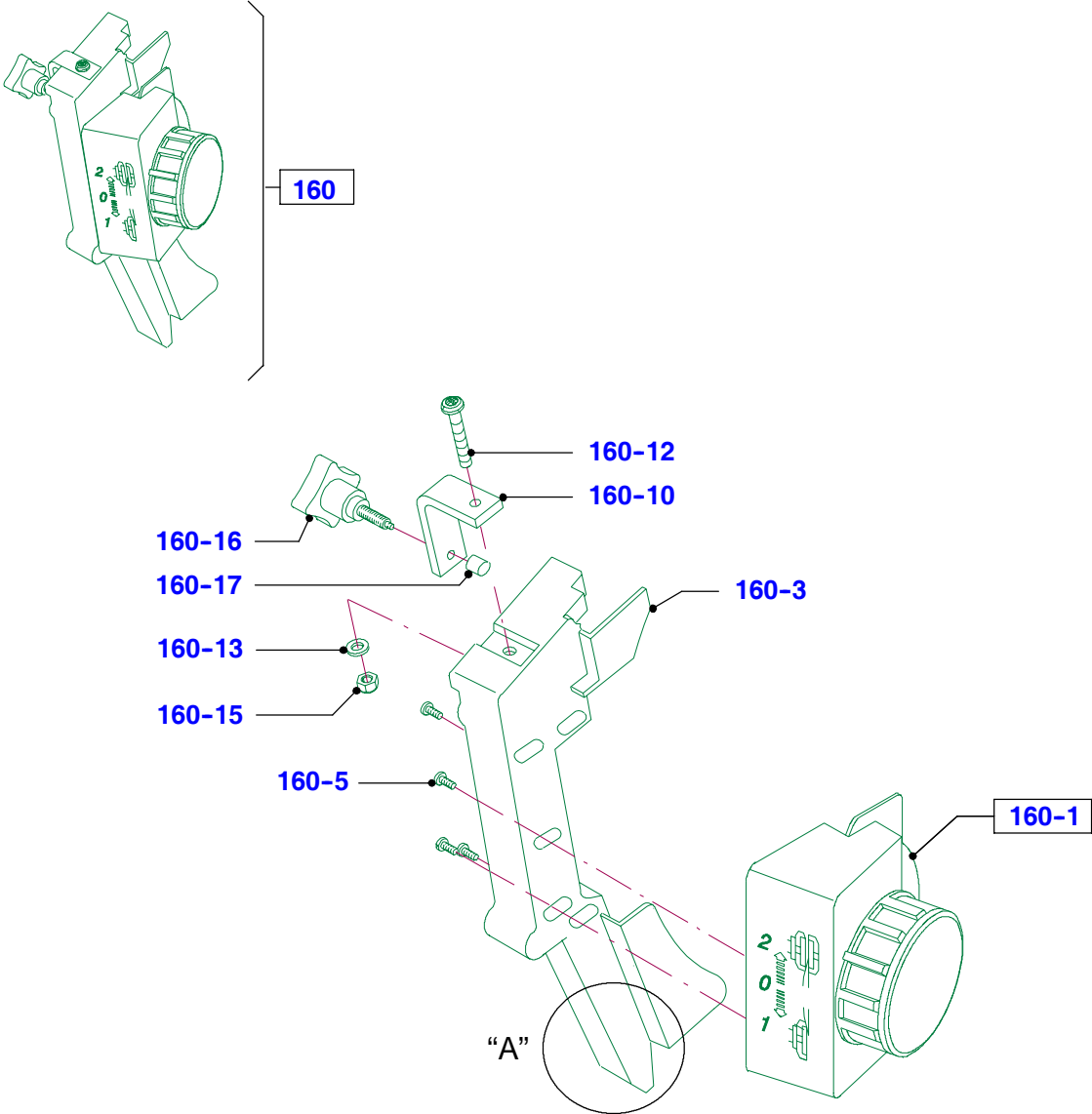
176 PRT

Accessories for elevated installation

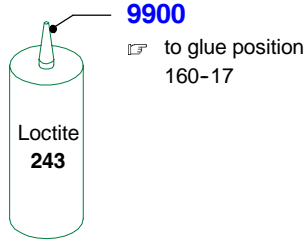
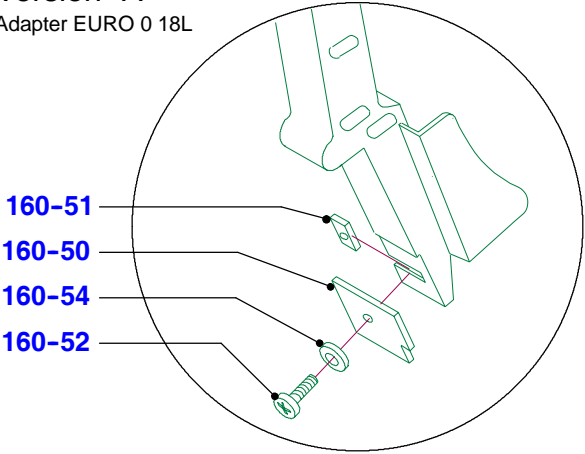


4

Sharpener



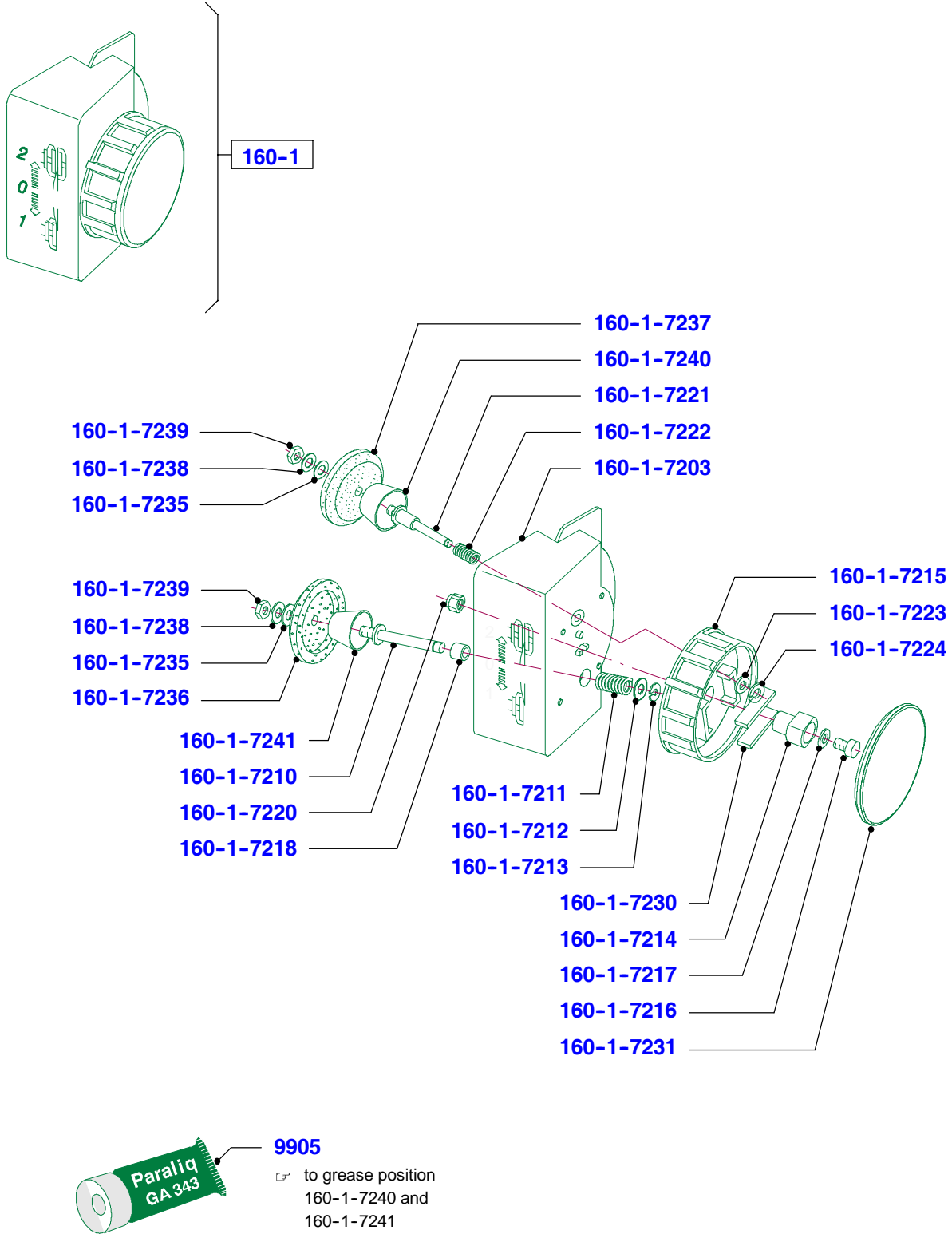
Version "A"
Adapter EURO 0 18L



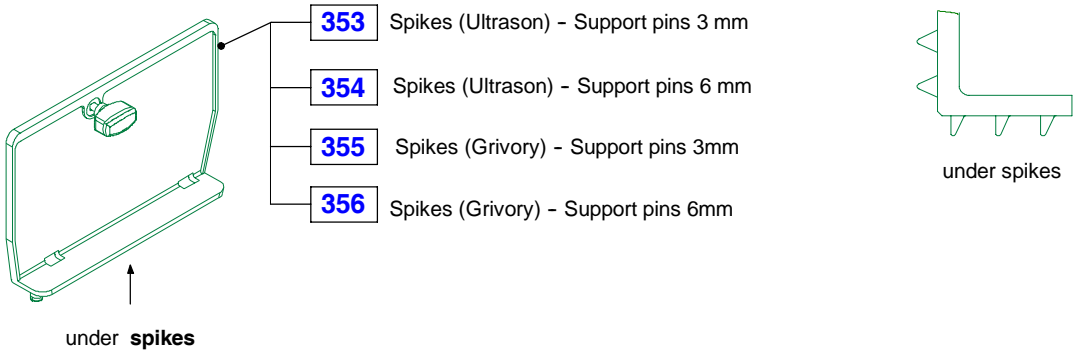
4

Sharpener

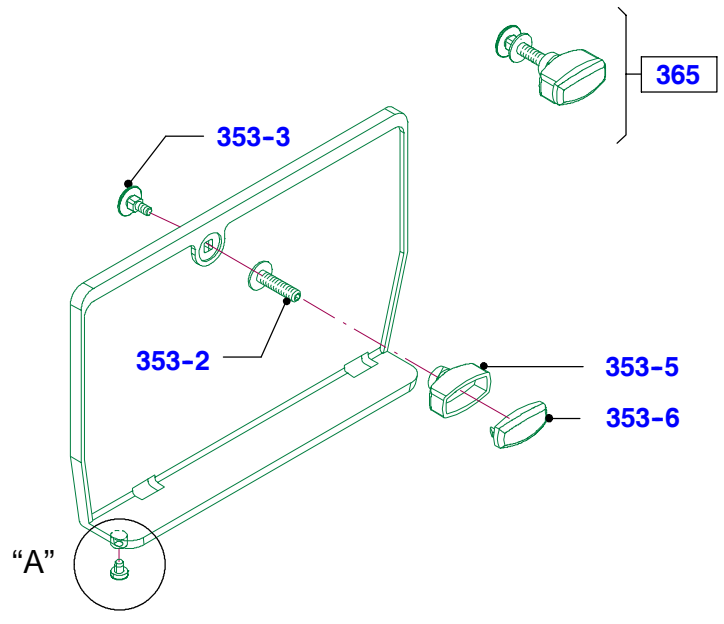
Sharpener, pre-mounted UVV



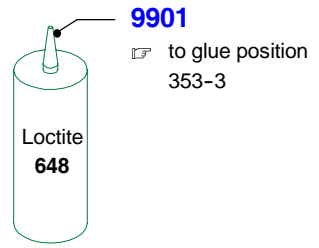
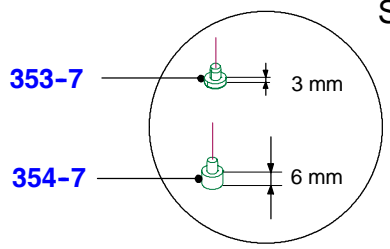
Remnant holder



4

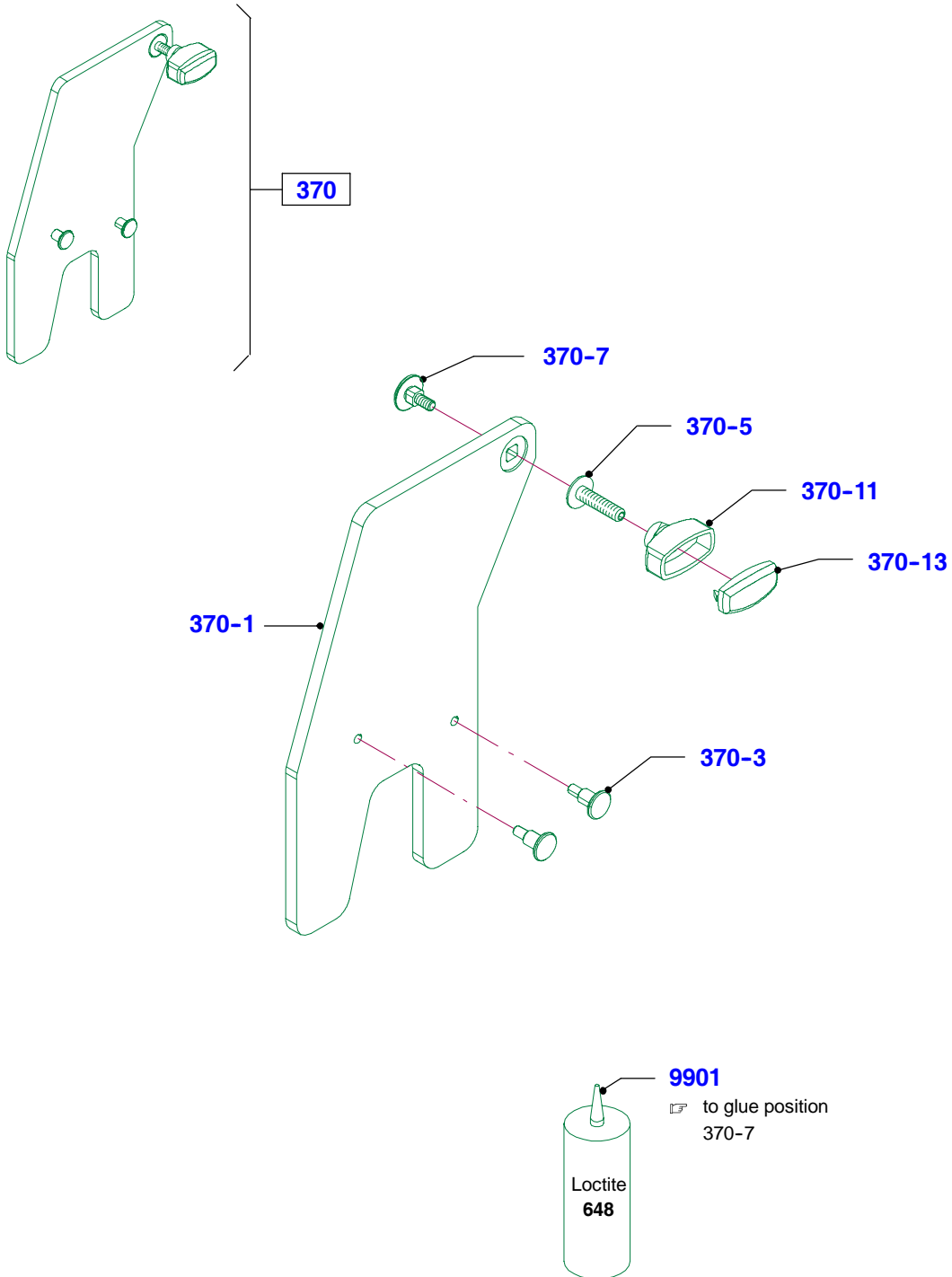


Version "A" Support pins



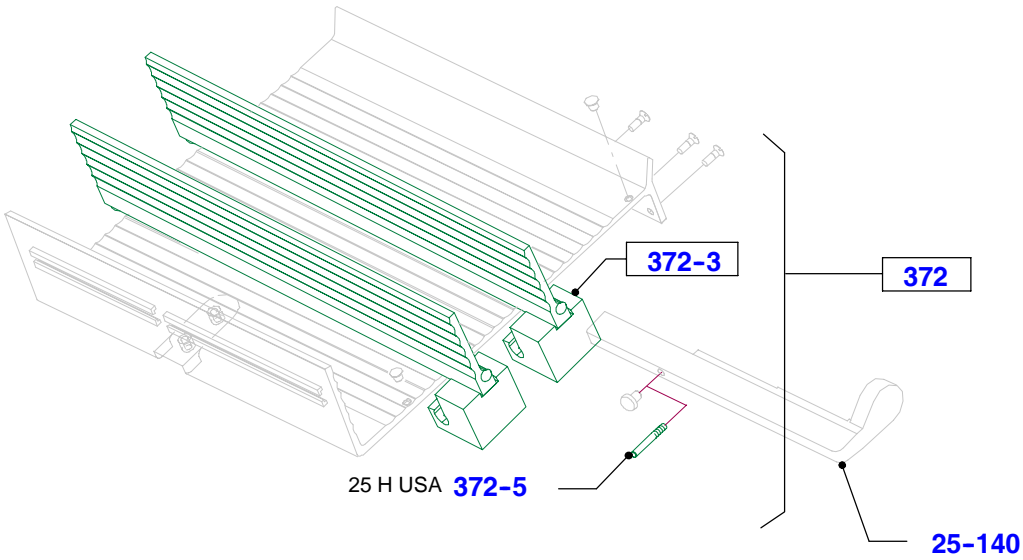
Remnant holder

Tomato guide remnant holder plate



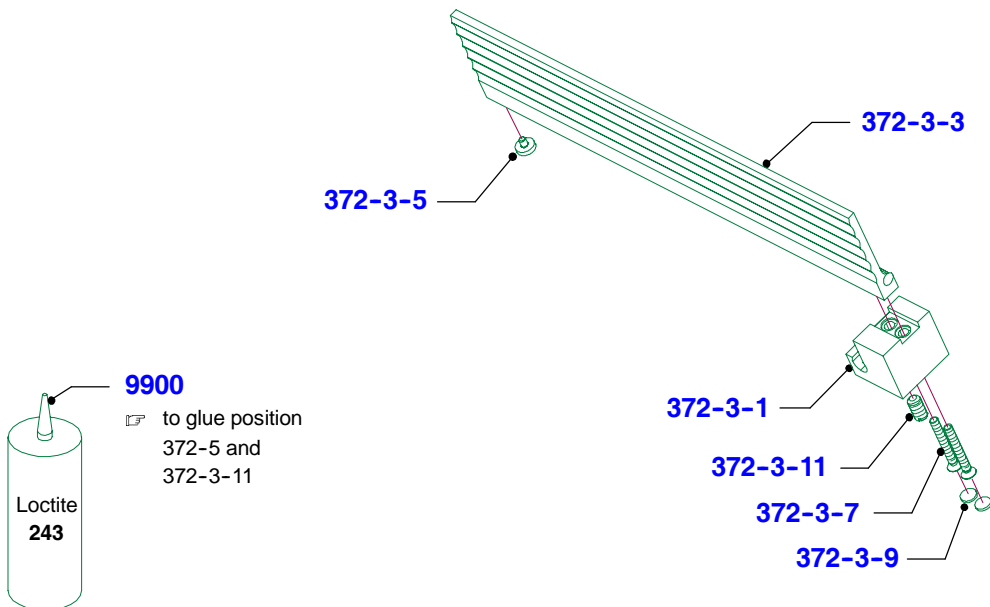
Product fixation

Tomato ruler



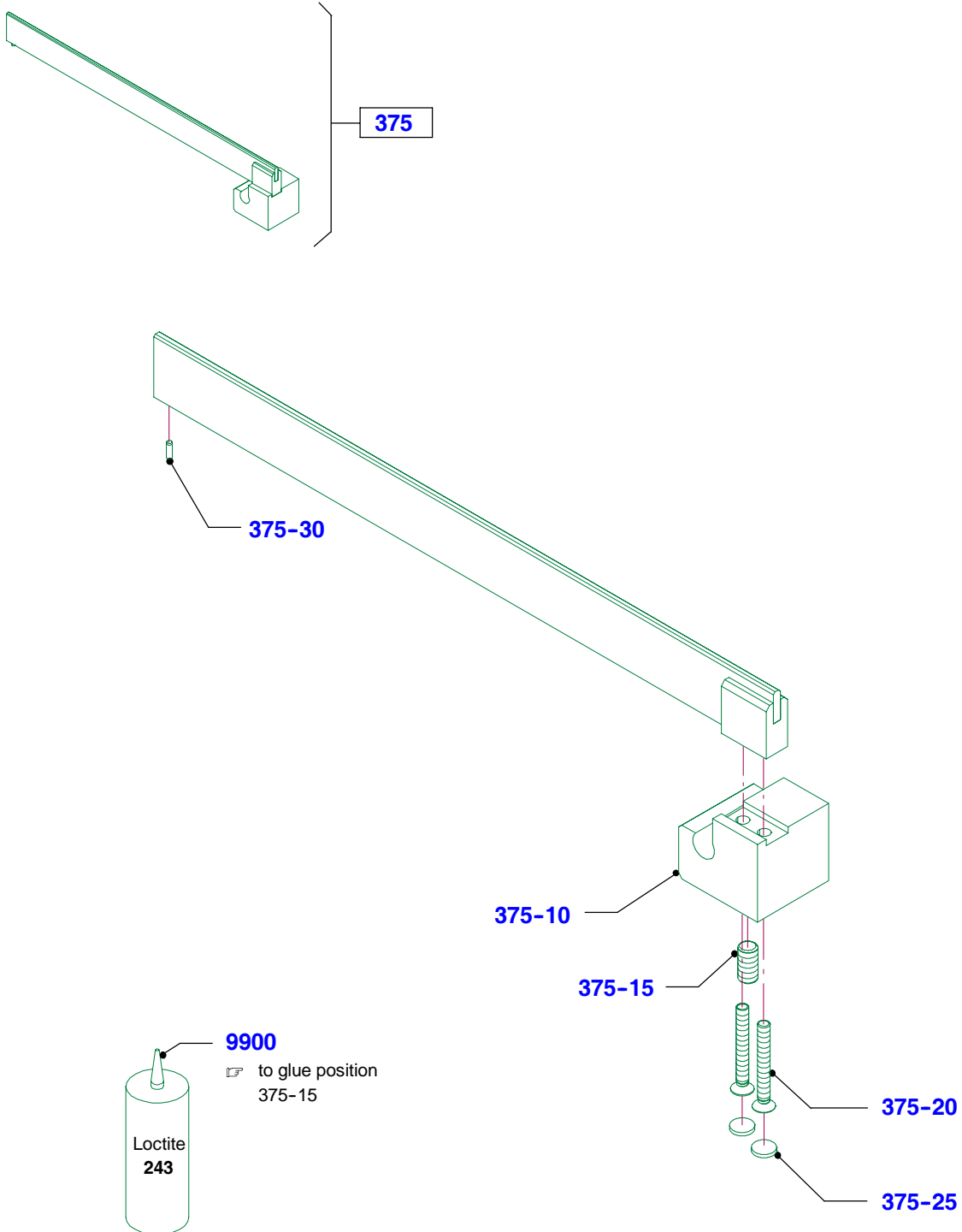
4

Slider with ruler



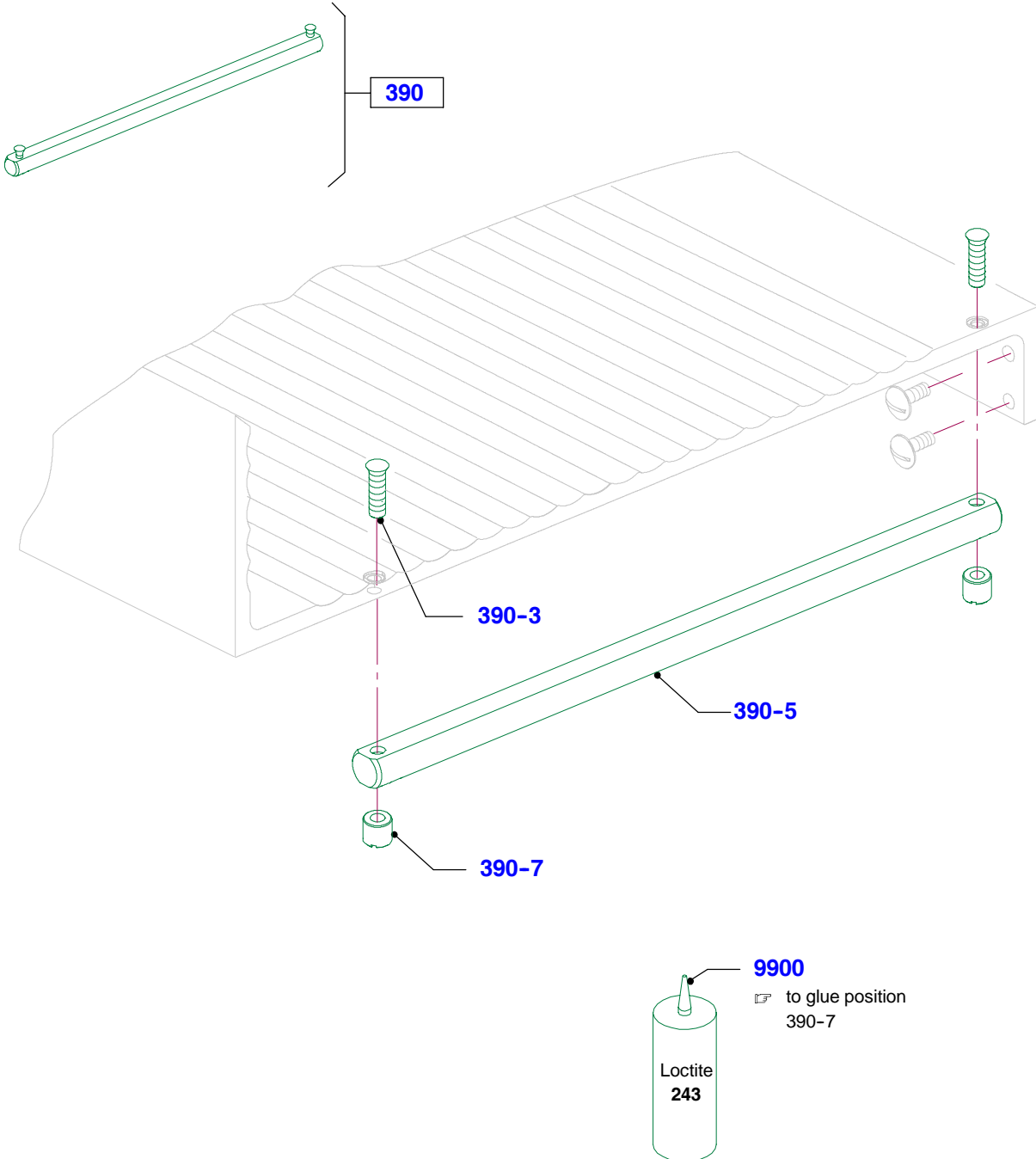
Product fixation

Ruler complete



Product fixation

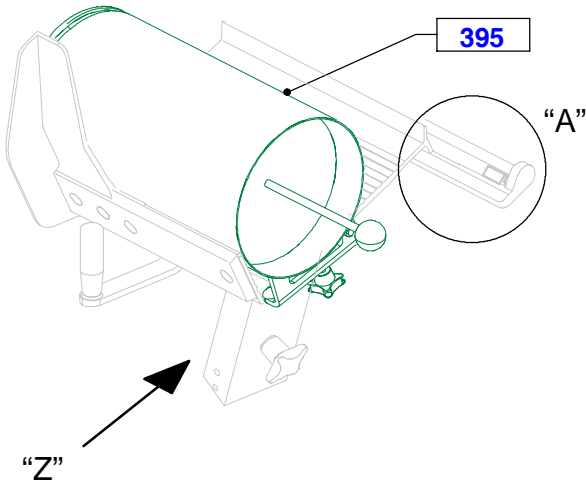
Retrofitting set - product fixation (Carriage 18° and 25°)



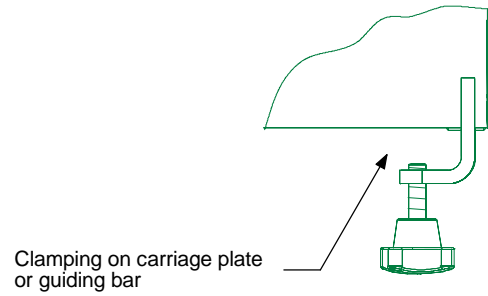
4

Product fixation

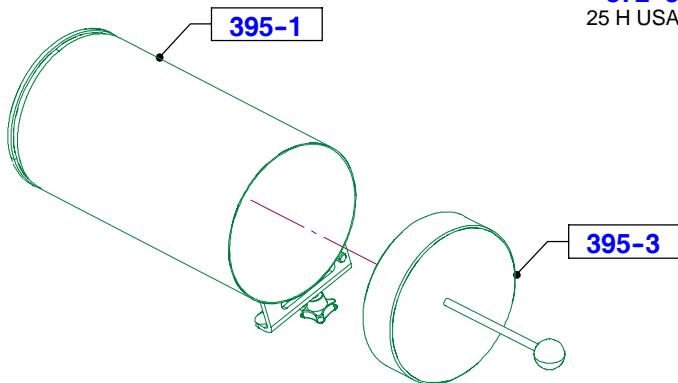
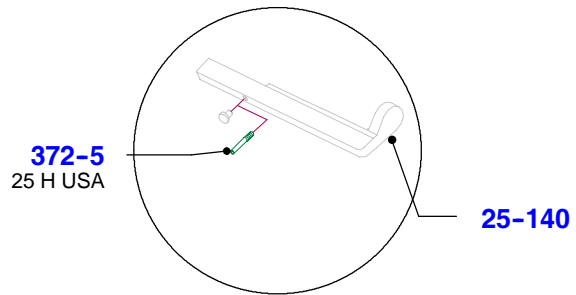
Vegetable chute and pusher



View "Z"

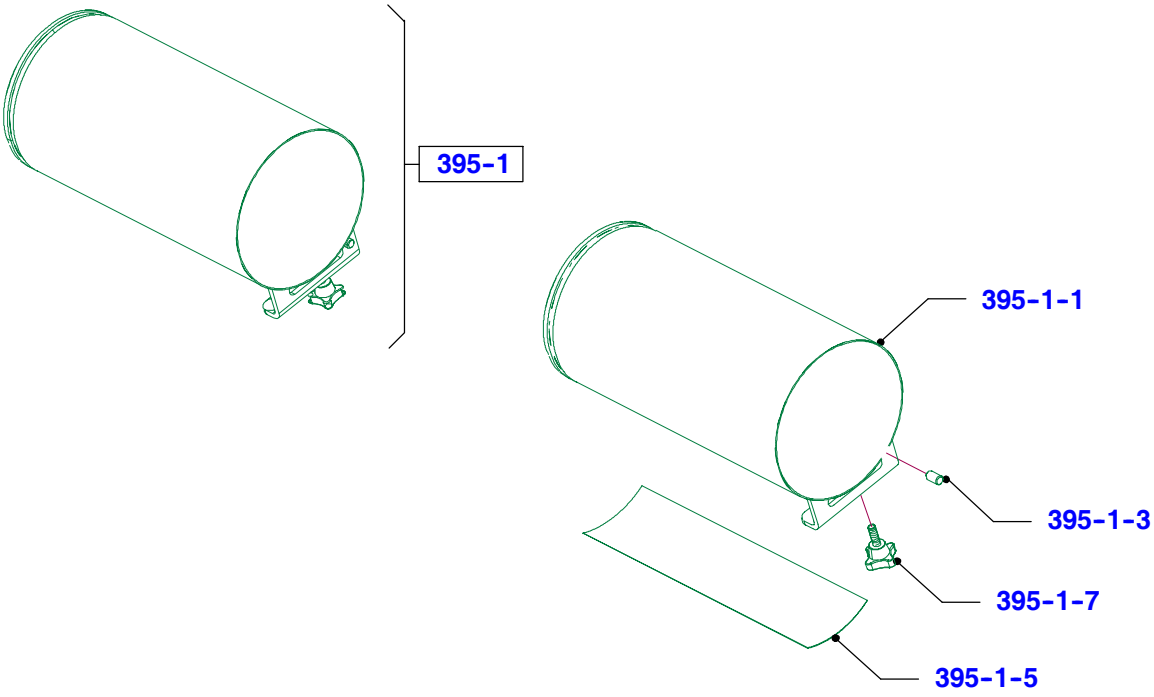


Detail "A"



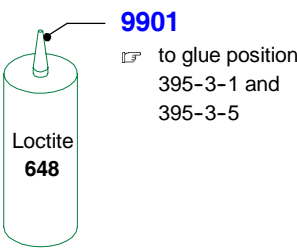
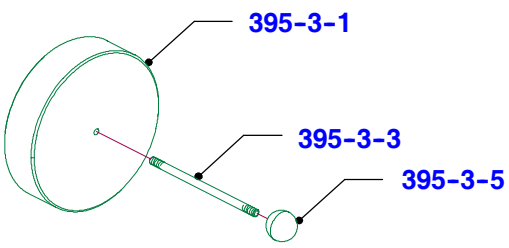
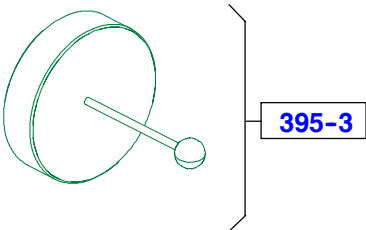
Product fixation

Vegetable chute



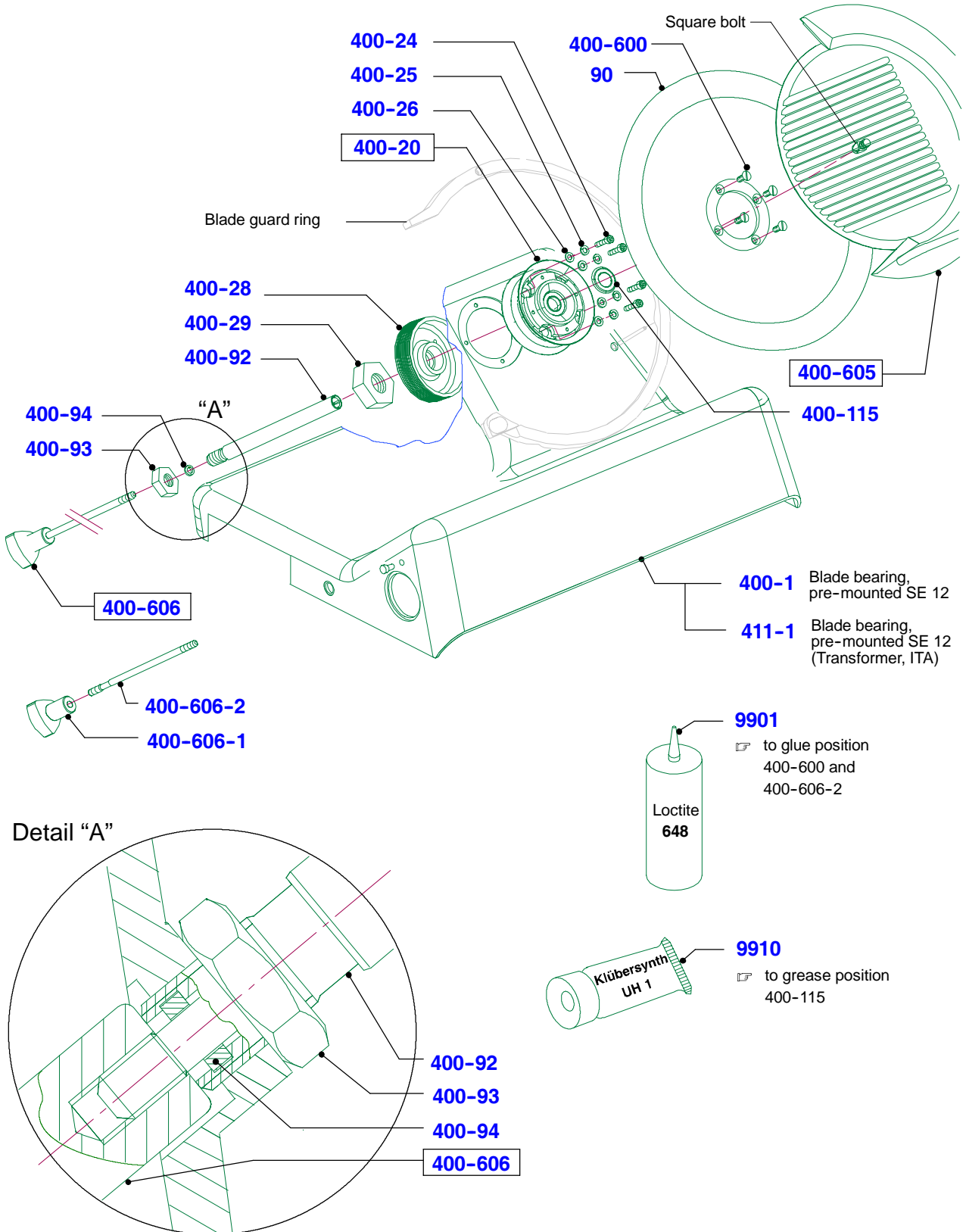
4

Pusher



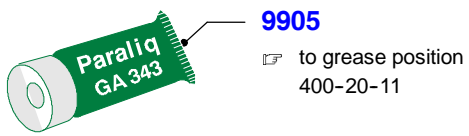
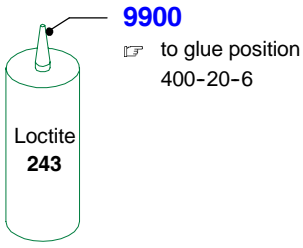
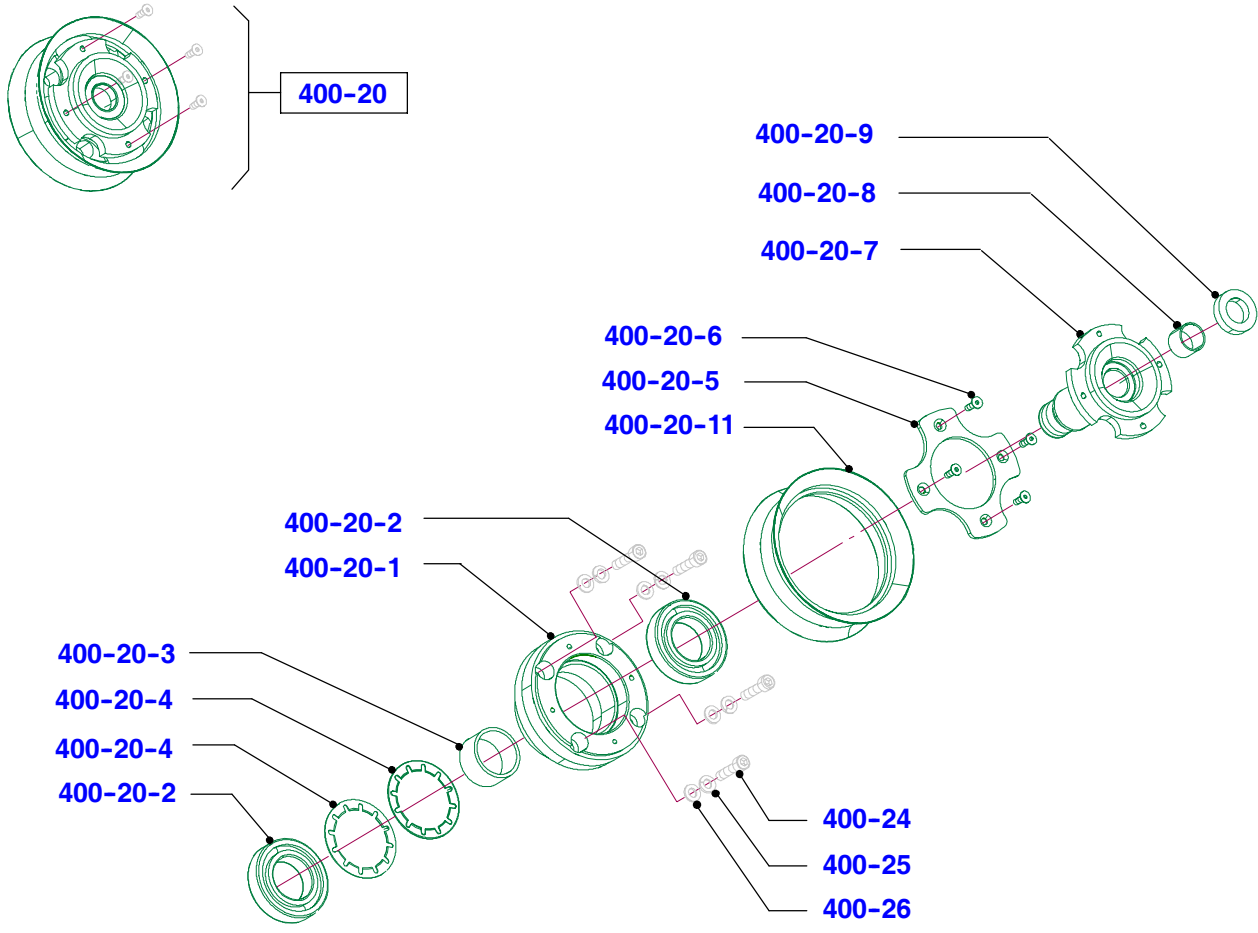
Basic parts

Blade bearing pre mounted SE 12 and accessories, for centrally fastened blade cover, up to device-no. 10498129



Basic parts

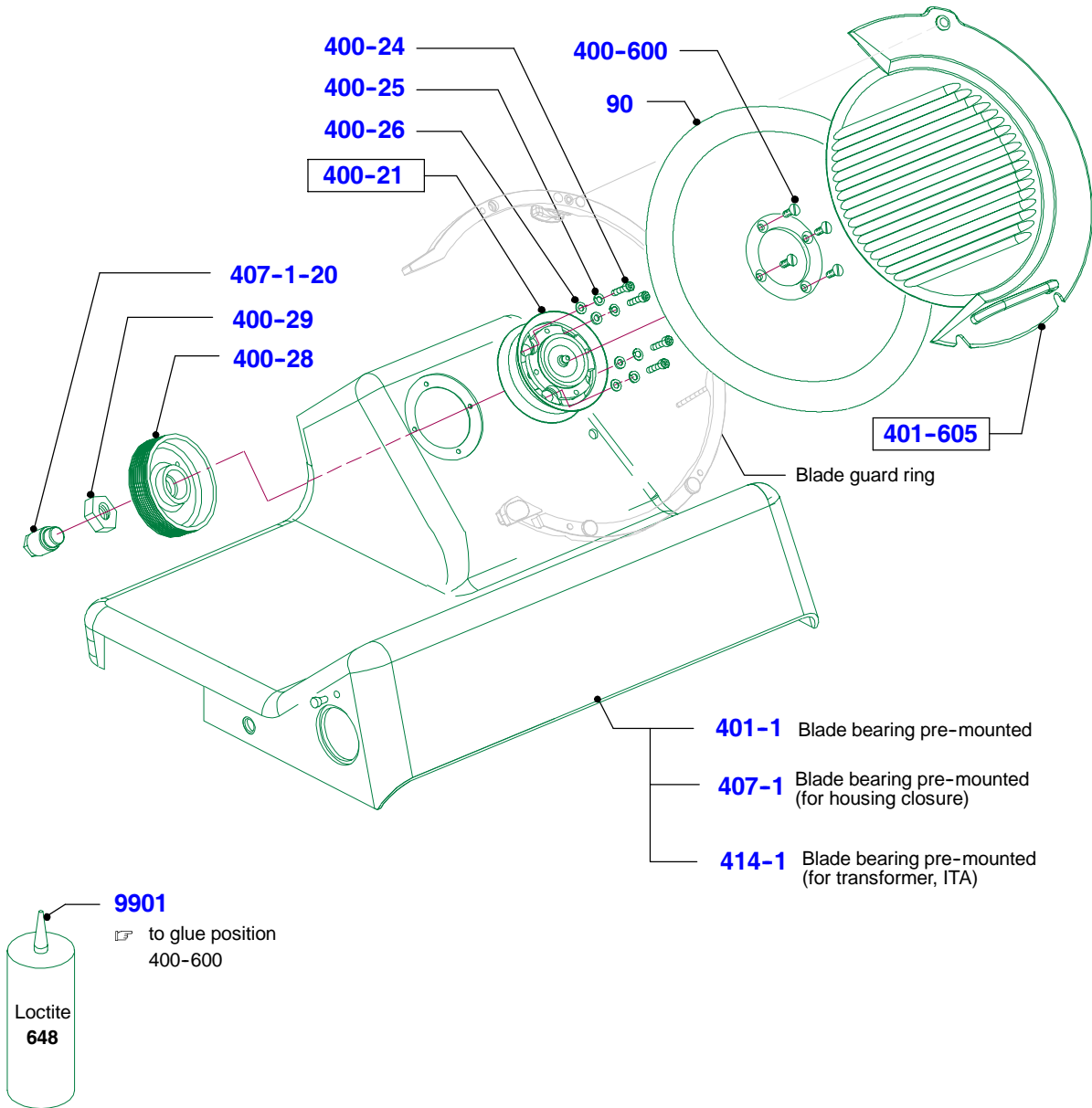
Blade bearing pre mounted SE 12, for centrally fastened blade cover,
up to device-no. 10498129



4

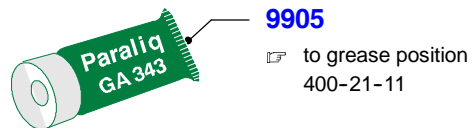
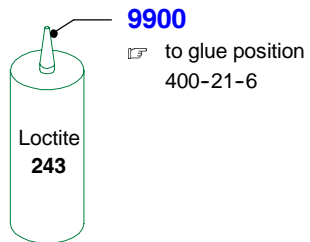
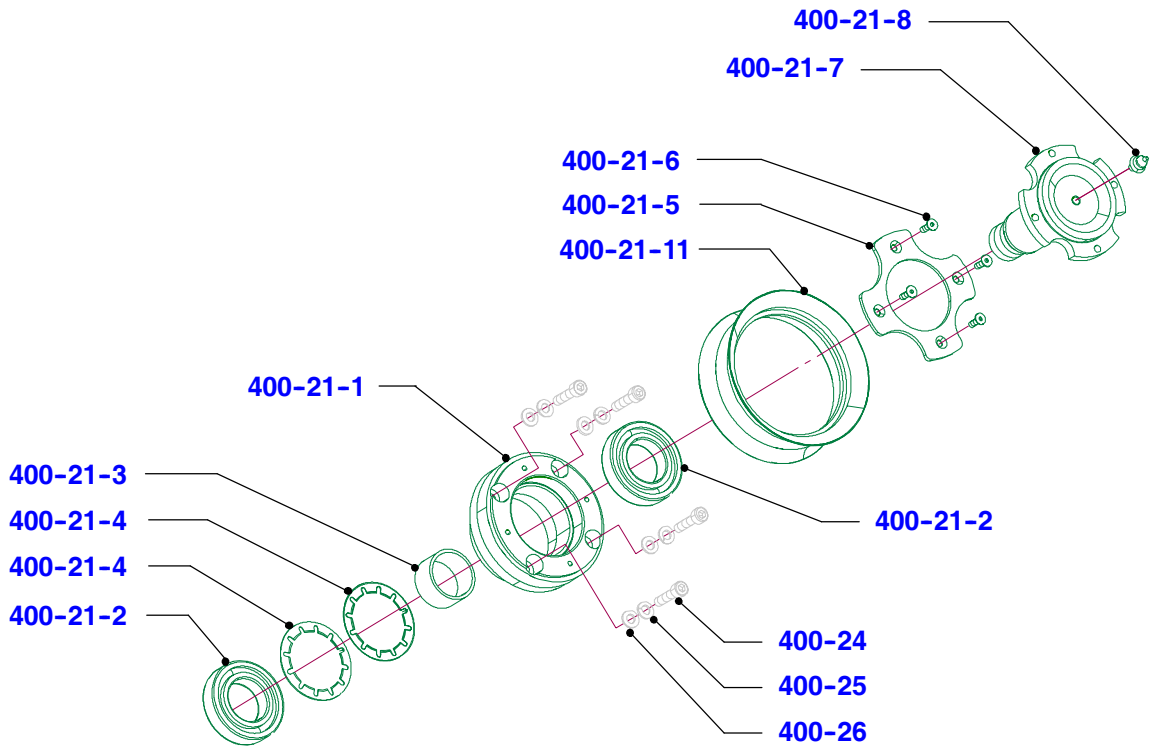
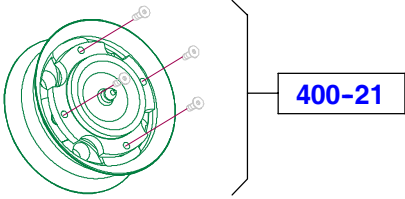
Basic parts

Blade bearing pre mounted and accessories, for decentrally fastened blade cover from device-no. 10498130



Basic parts

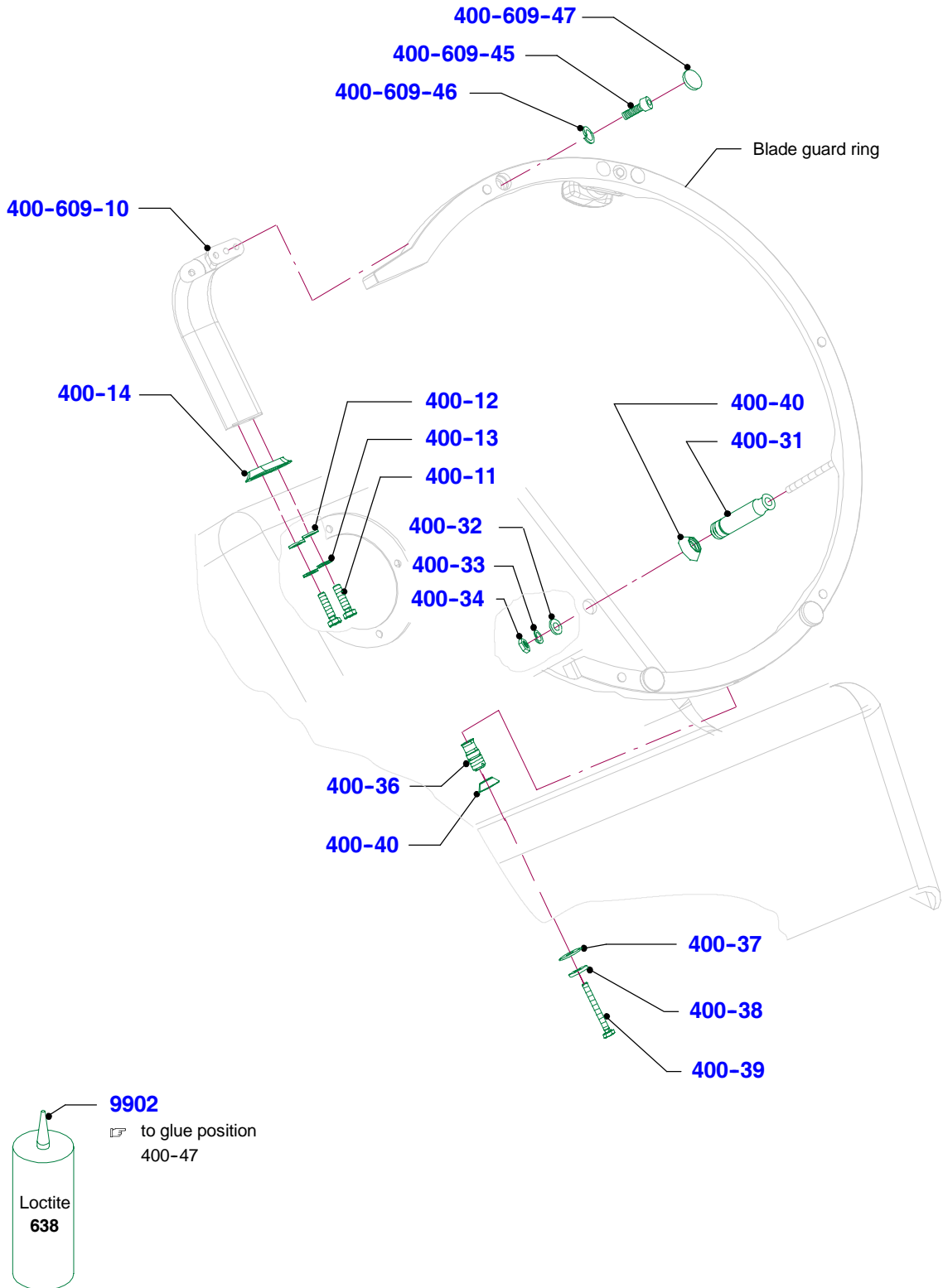
Blade bearing pre mounted, for **decentrally** fastened blade cover from device-no. 10498130



4

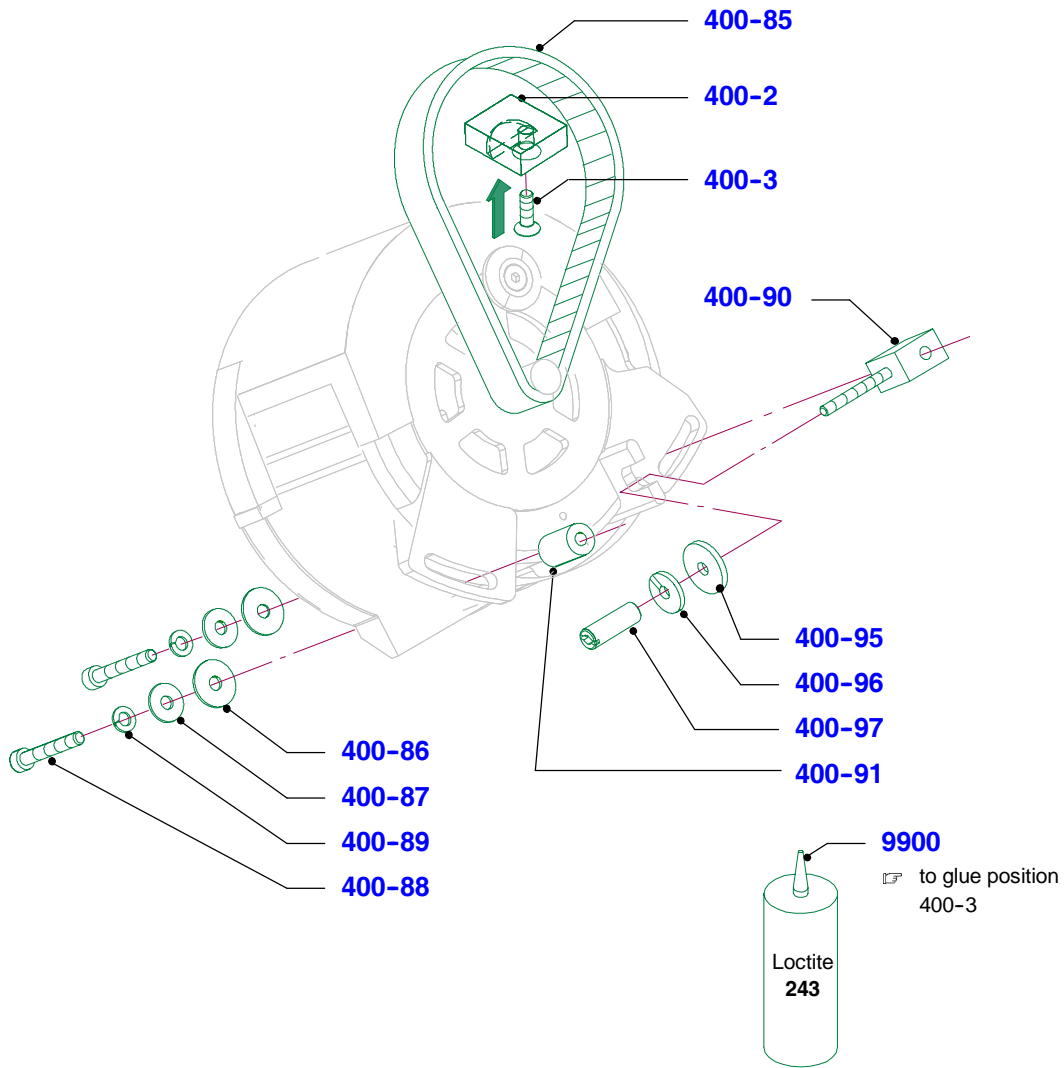
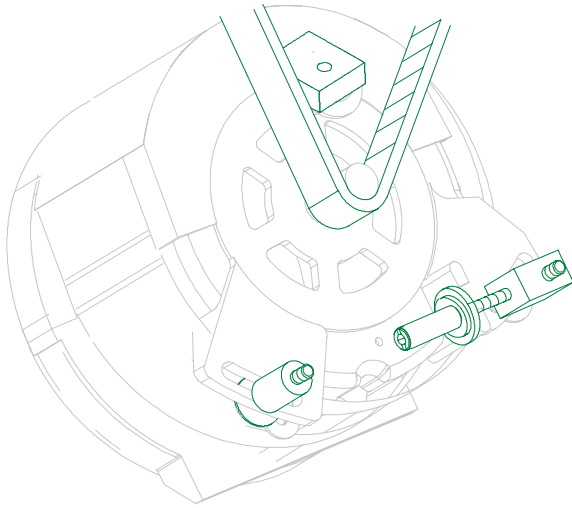
Basic parts

Support for blade guard ring and deflector plastic



Basic parts

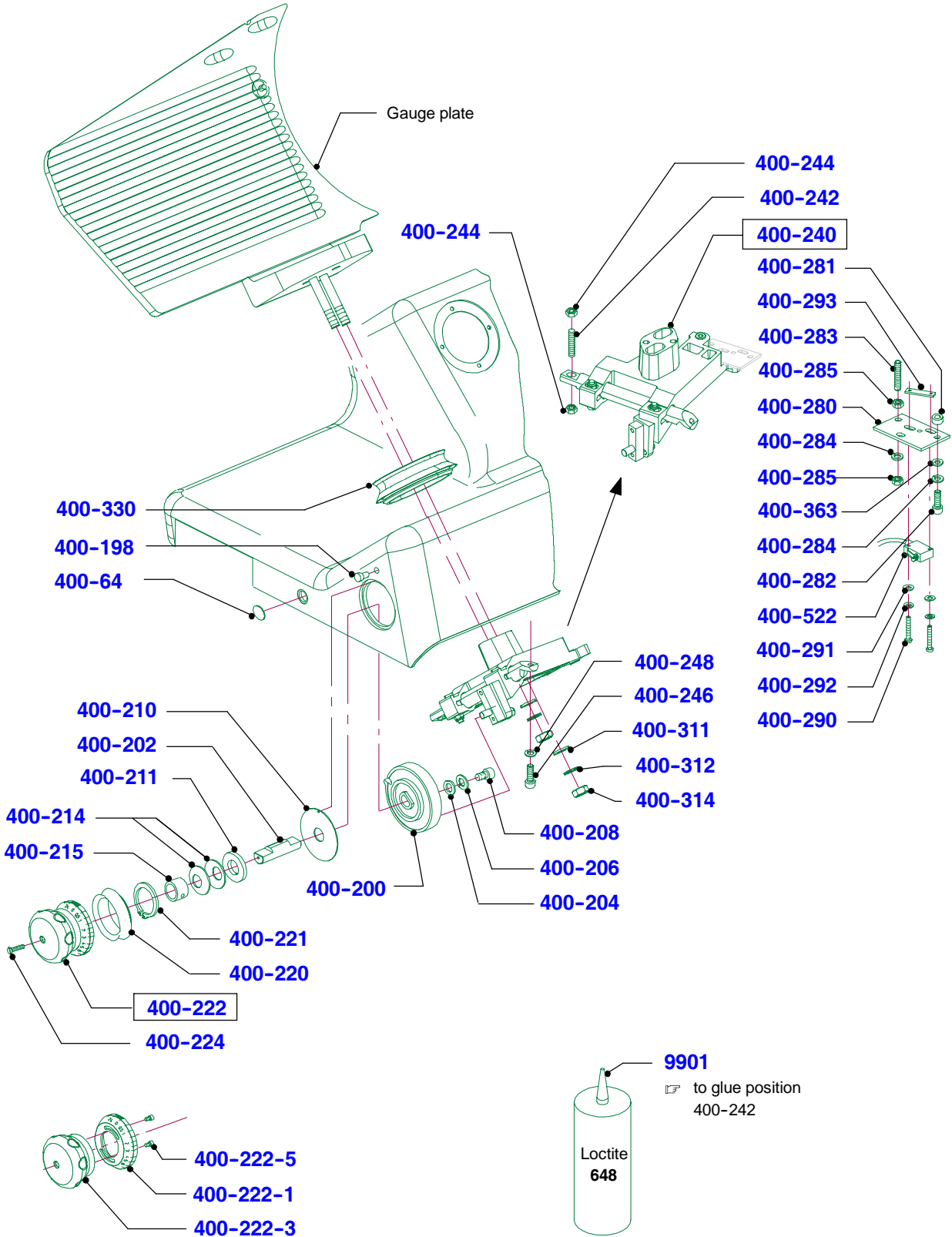
Motor fastening and belt tension



4

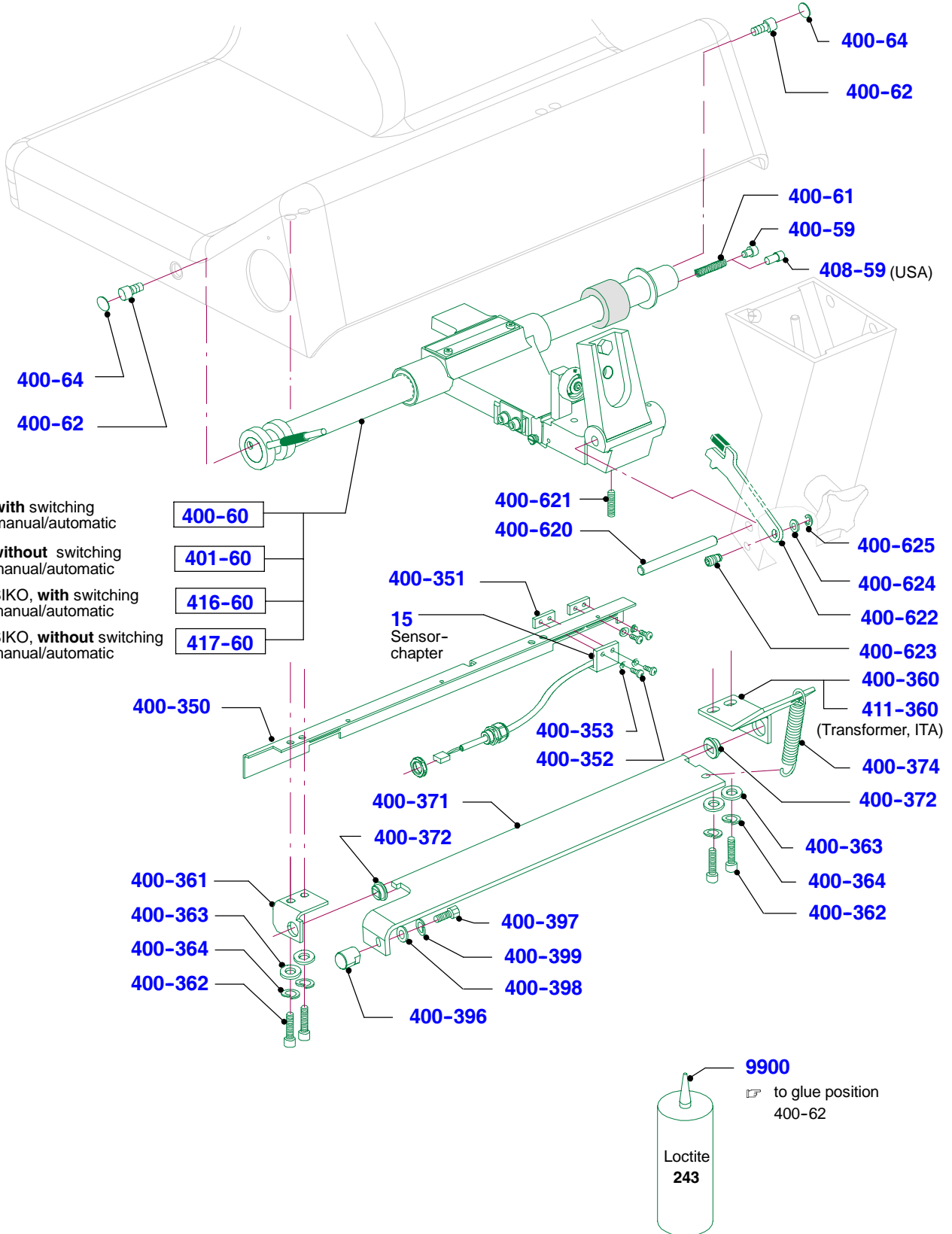
Basic parts

Rotary knob and bearing bracket



Basic parts

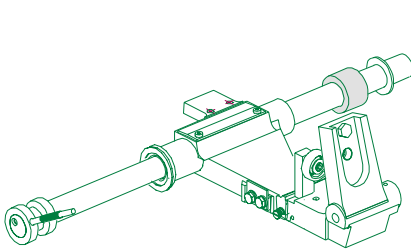
Carriage guide, rail, angle and locking device



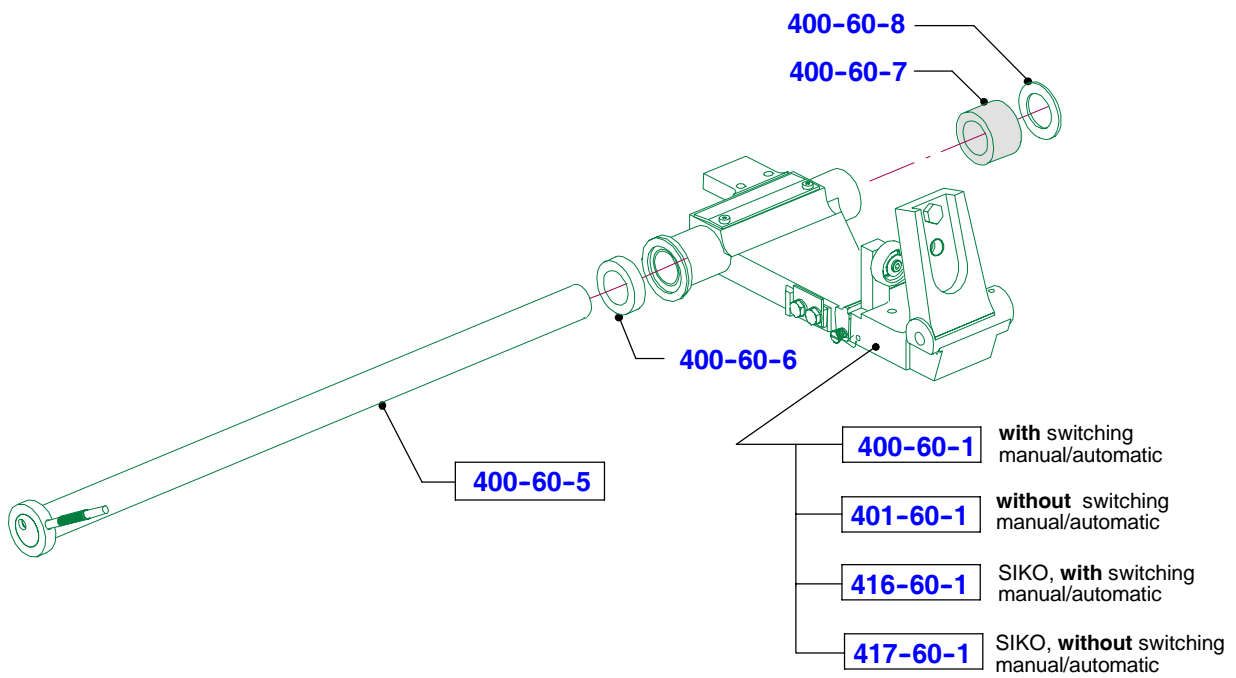
4

Basic parts

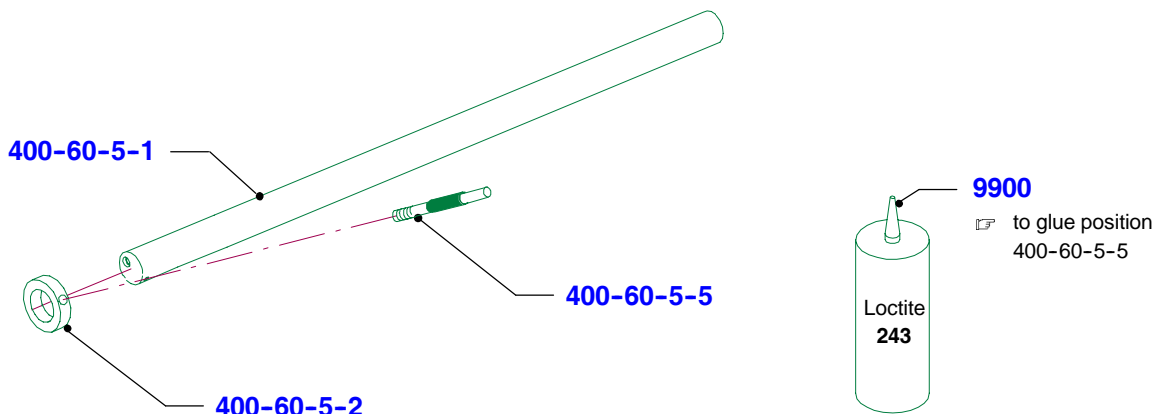
Carriage guide complete, standard



- 400-60** with switching manual/automatic
- 401-60** without switching manual/automatic
- 416-60** SIKO, with switching manual/automatic
- 417-60** SIKO, without switching manual/automatic

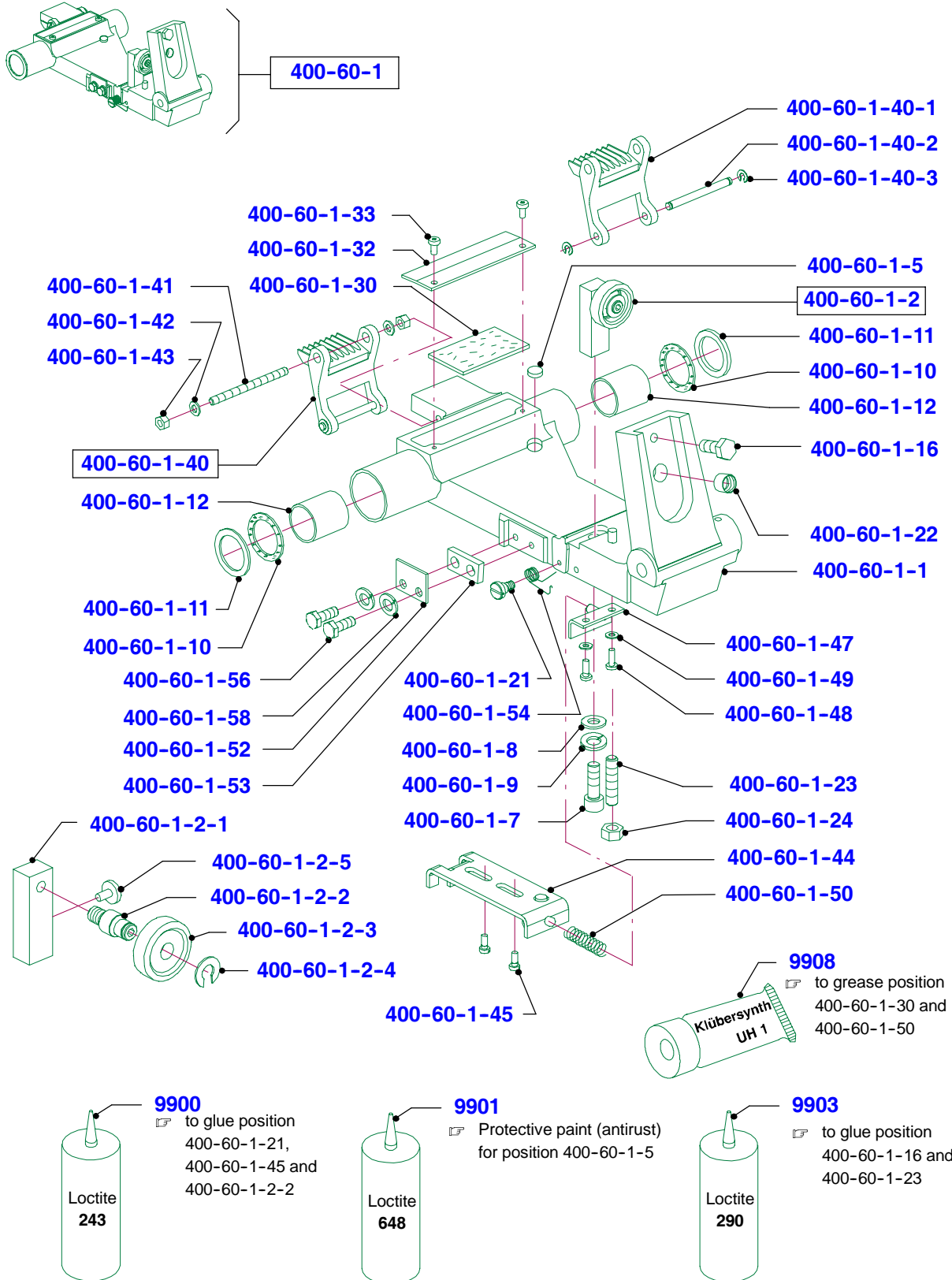


Carriage shaft pre-mounted



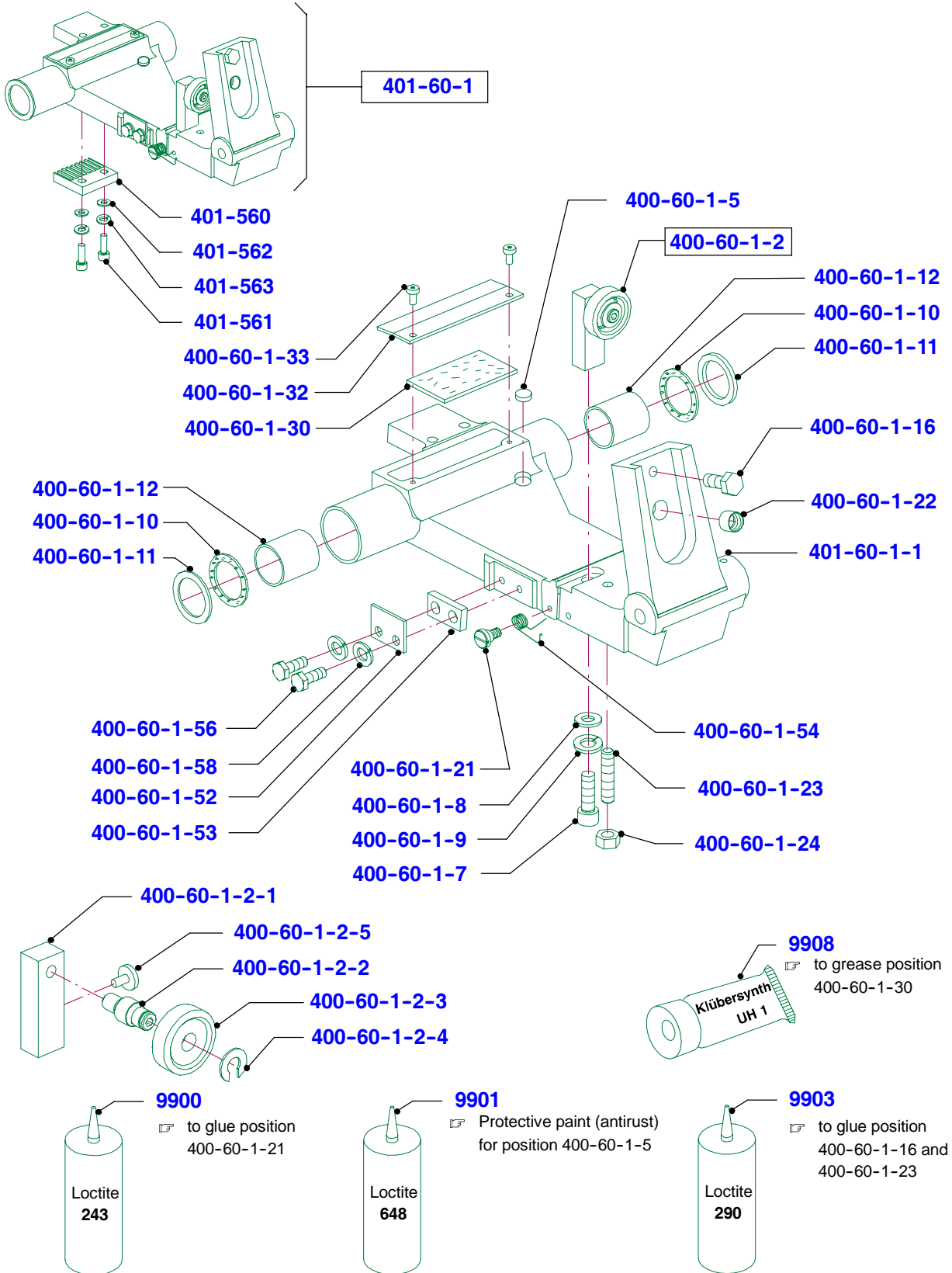
Basic parts

Carriage guide pre-mounted (with switching manual/automatic)
up to device-no. 10361573



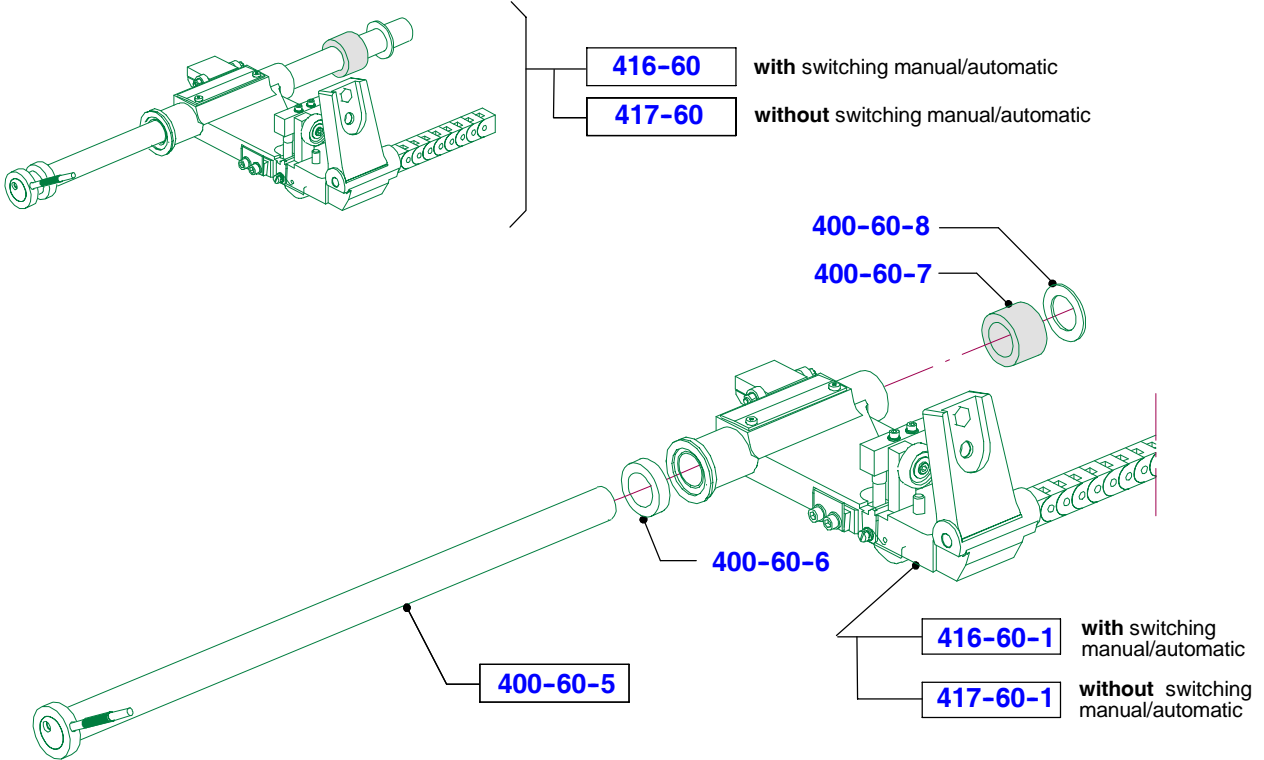
Basic parts

Carriage guide pre-mounted (without switching manual/automatic)
from device-no. 10361574



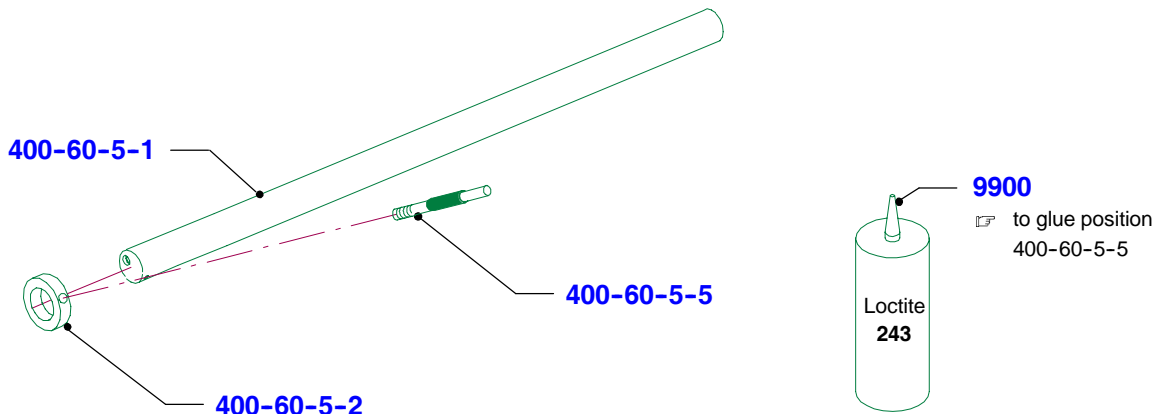
Basic parts

Carriage guide complete, SIKO



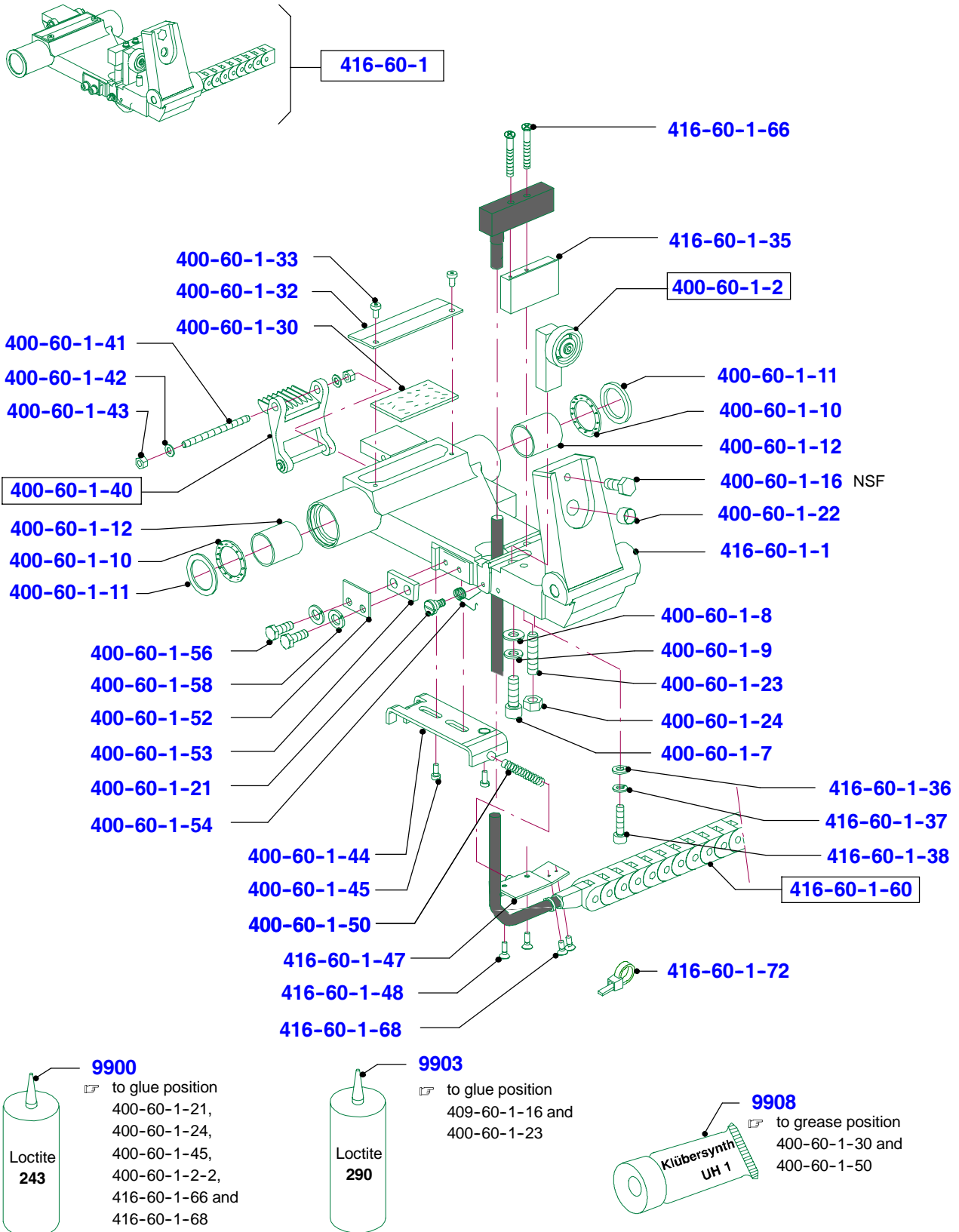
4

Carriage shaft pre-mounted



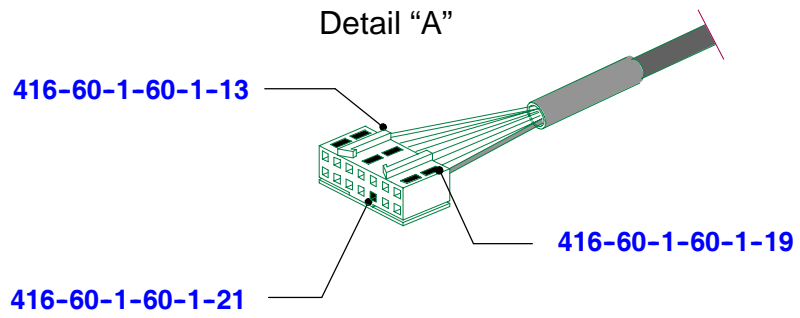
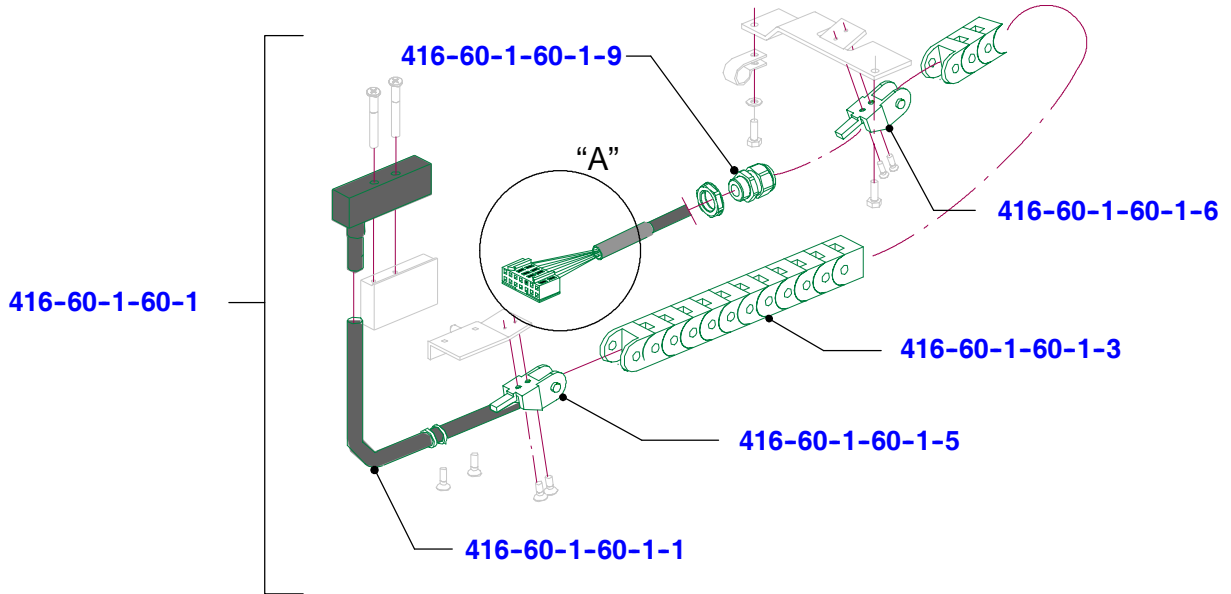
Basic parts

Carriage guide pre-mounted, SIKO (with switching manual/automatic)



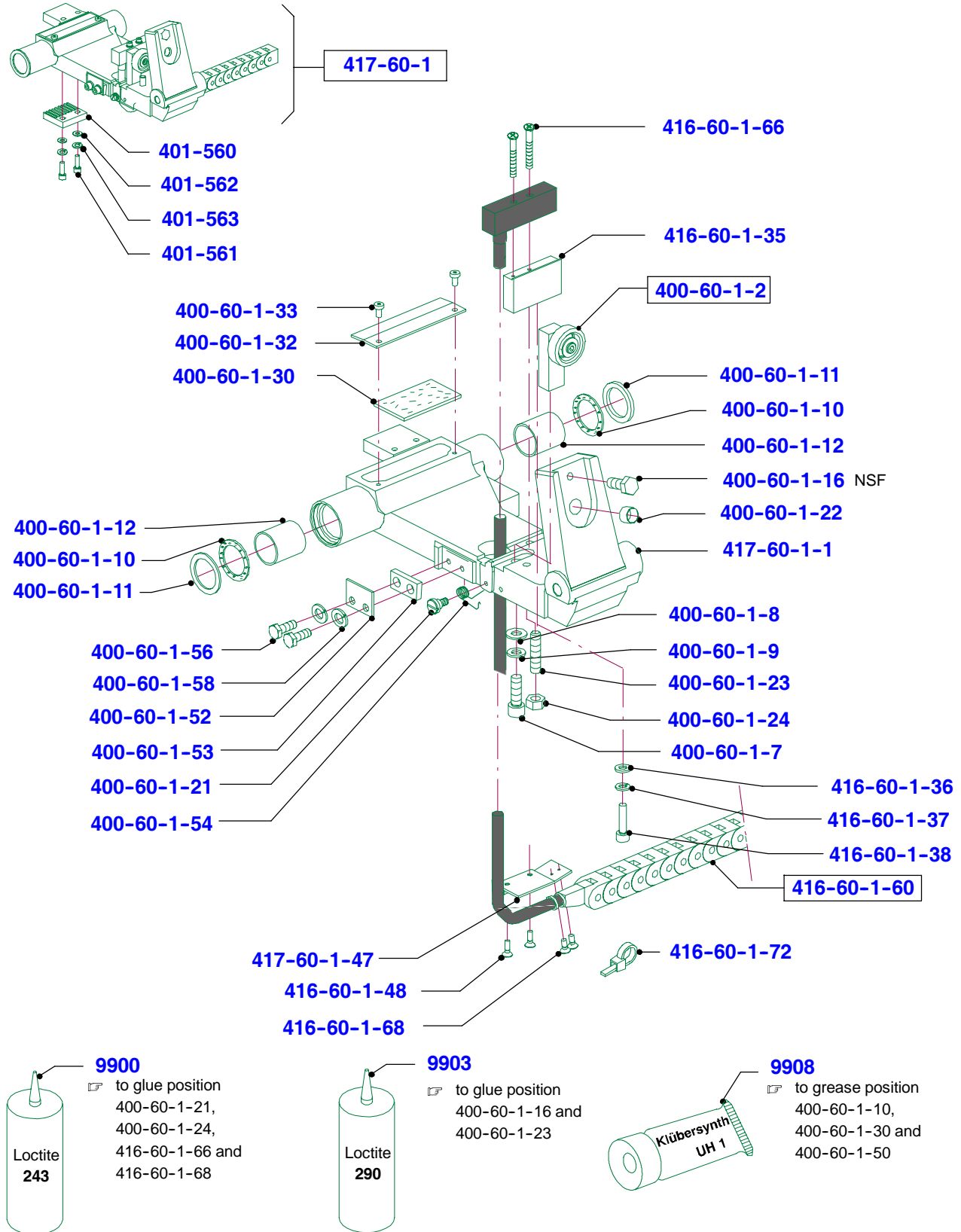
Basic parts

Towing cable SIKO SE12D 120V



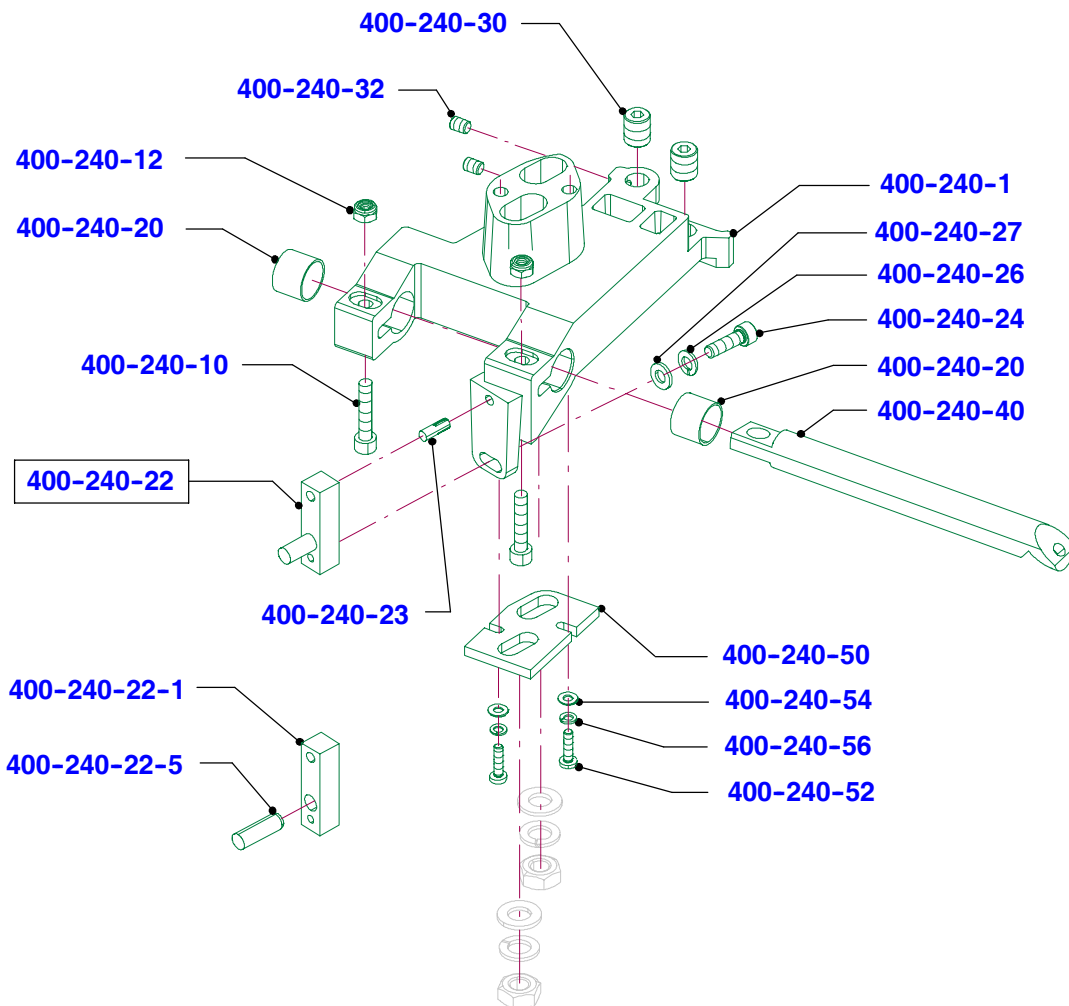
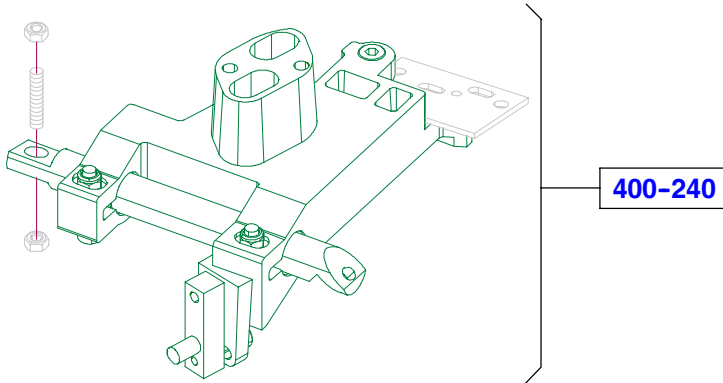
Basic parts

Carriage guide pre-mounted, SIKO (without switching manual/automatic)



Basic parts

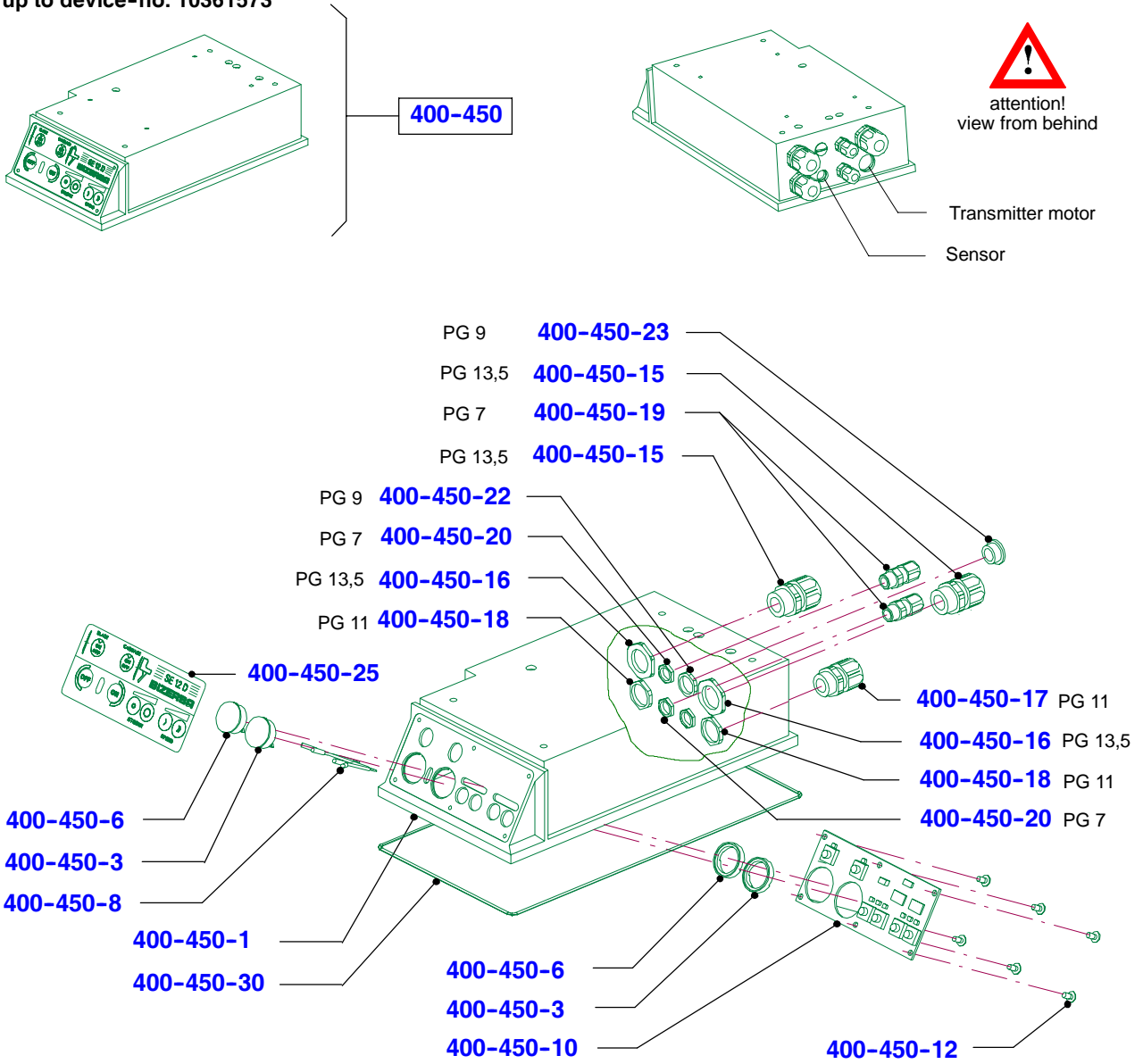
Bearing bracket, pre-mounted



4

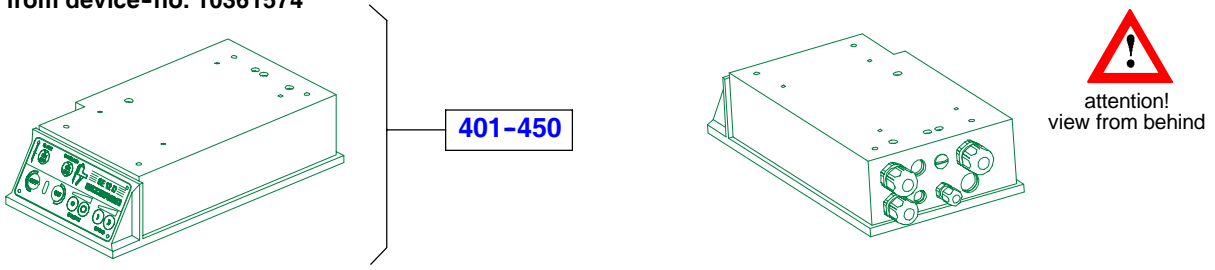
Basic parts

Housing pre-mounted (with switching manual/automatic)
up to device-no. 10361573



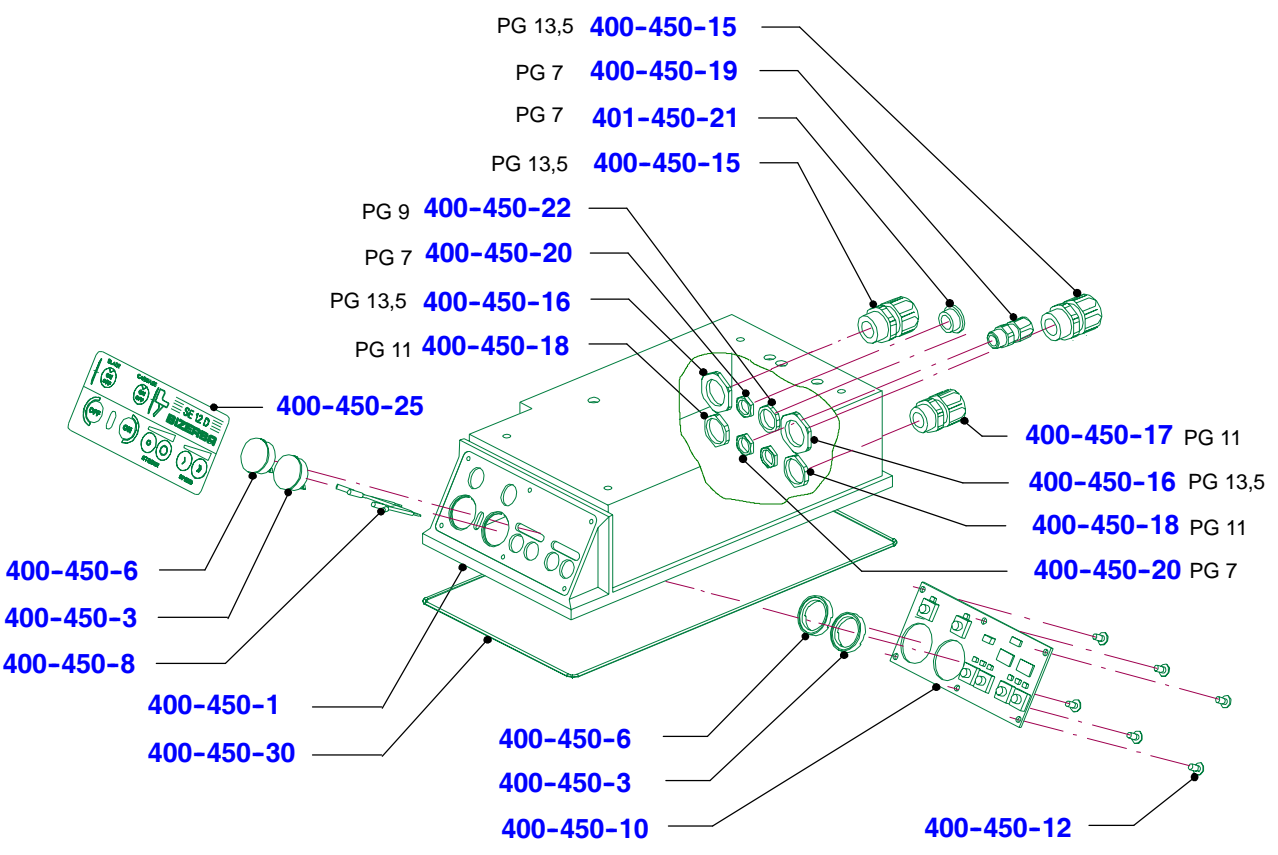
Basic parts

Housing pre-mounted (without switching manual/automatic)
from device-no. 10361574



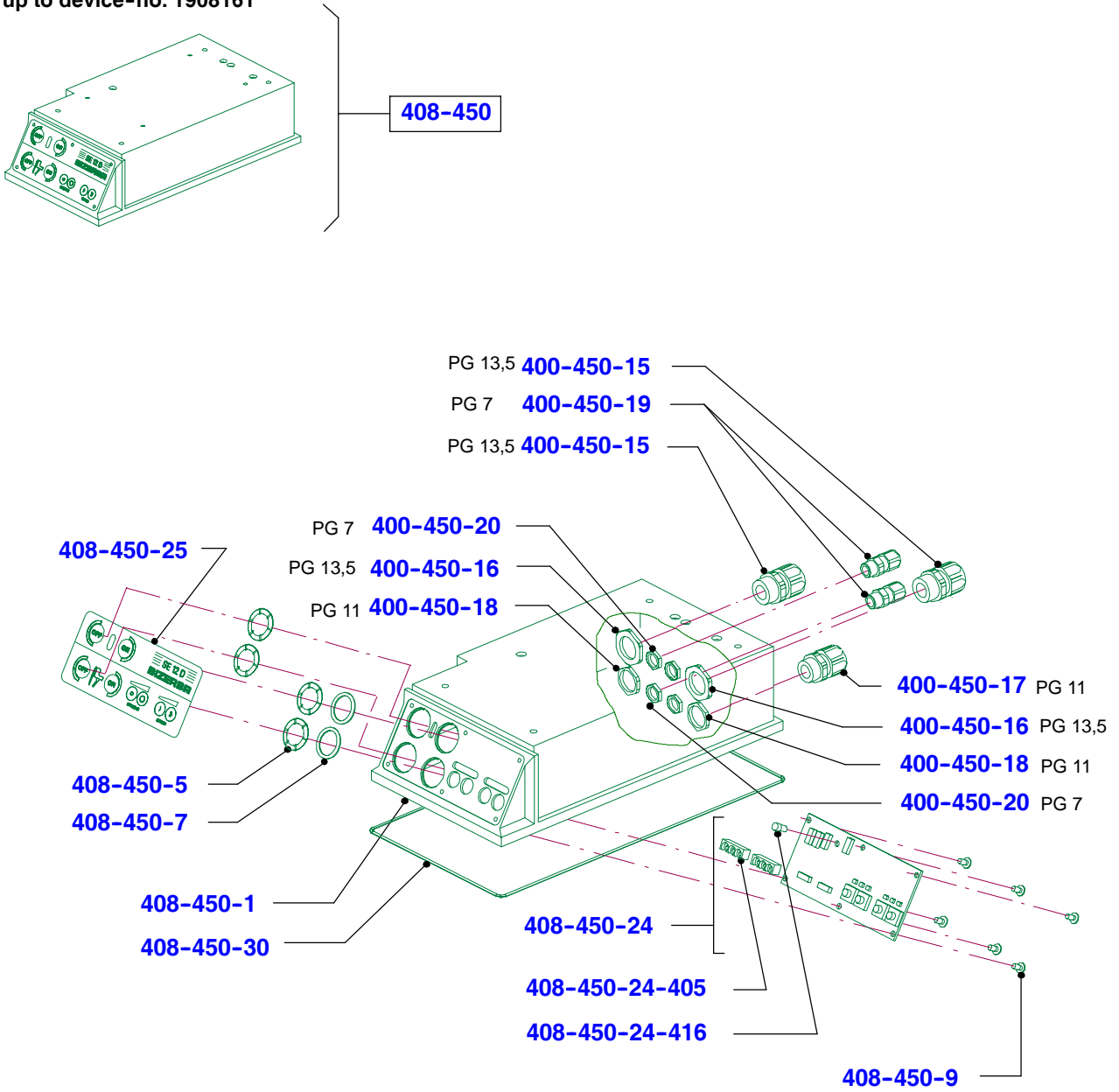
401-450

4



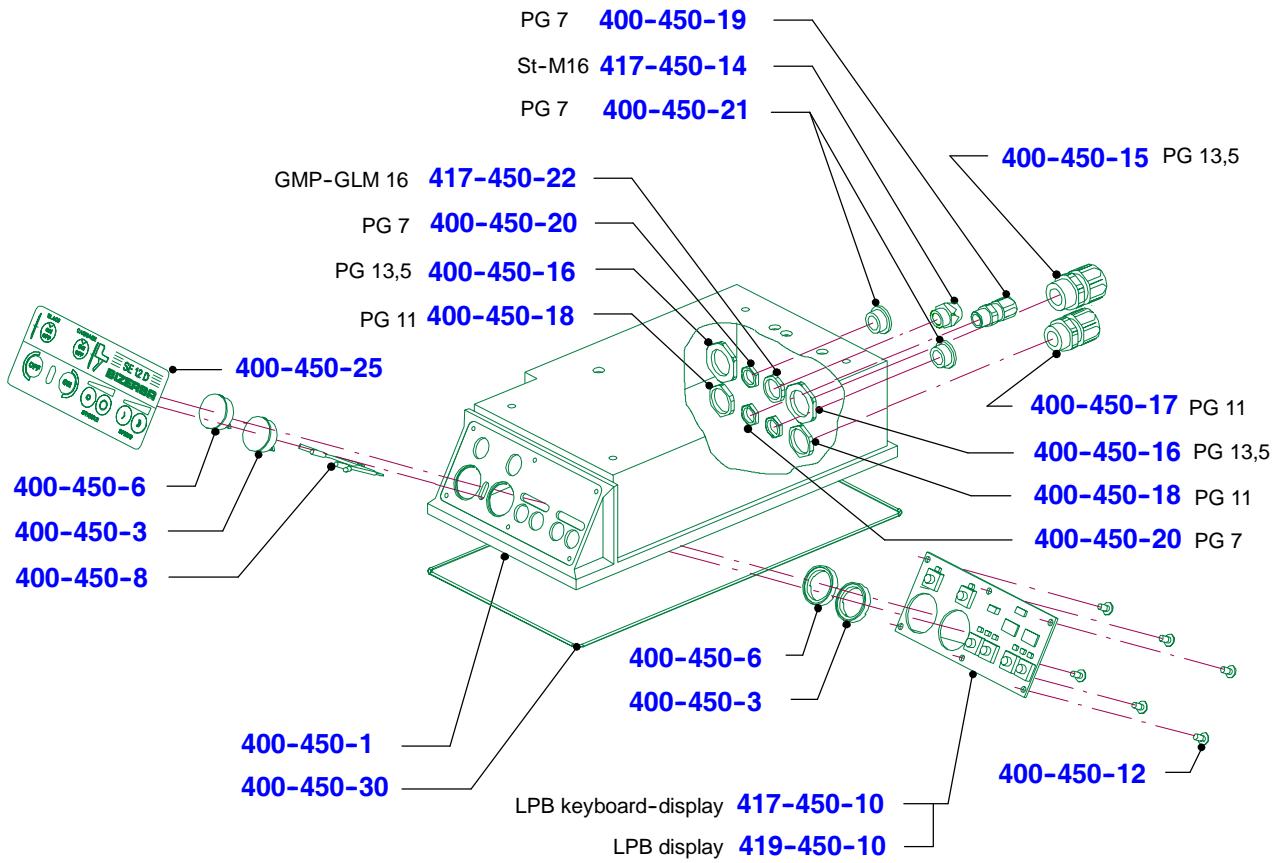
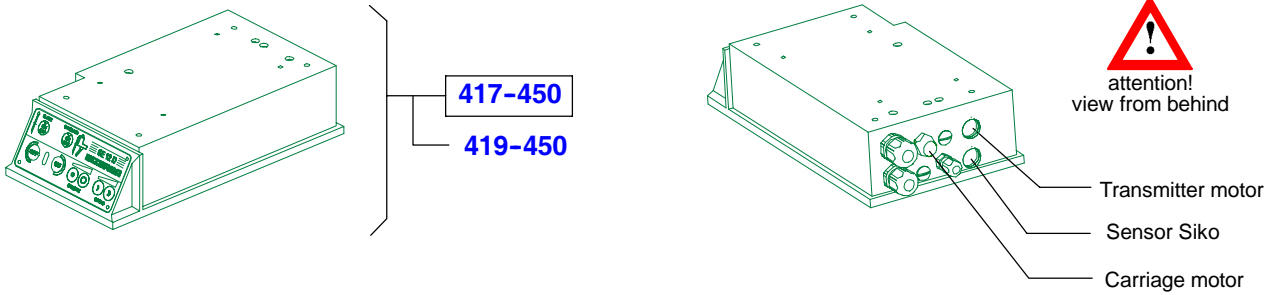
Basic parts

Housing pre-mounted + blade deactivation SE 12 - D 120 (USA)
up to device-no. 1908161



Basic parts

Housing pre-mounted - SIKO (without switching manual/automatic)

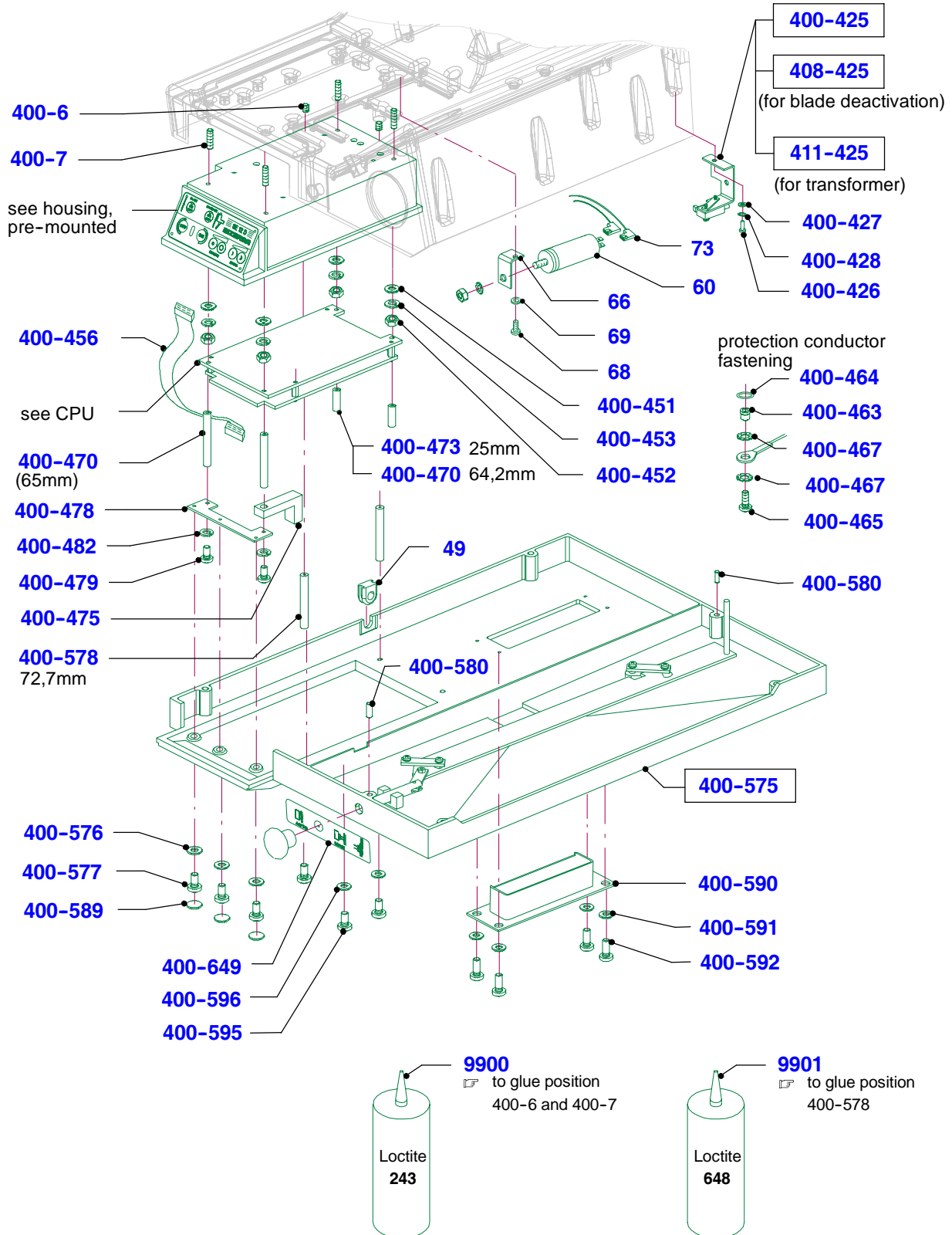


Basic parts

Baseplate mounted, (with switching manual/automatic), capacitor and accessories

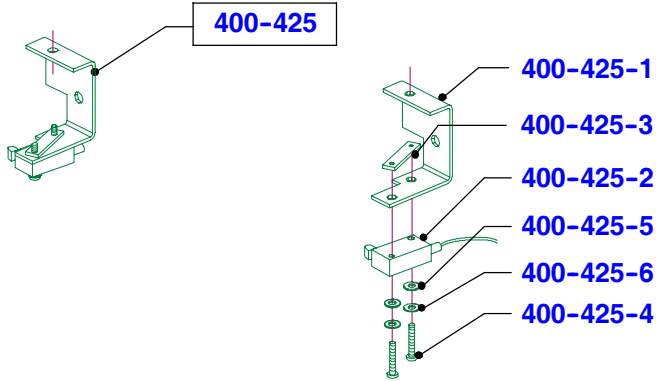
-up to device-no. 10361573

-up to device-no. 1908161 at blade deactivation, USA

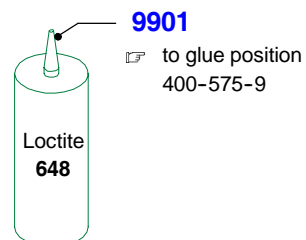
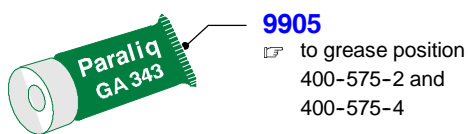
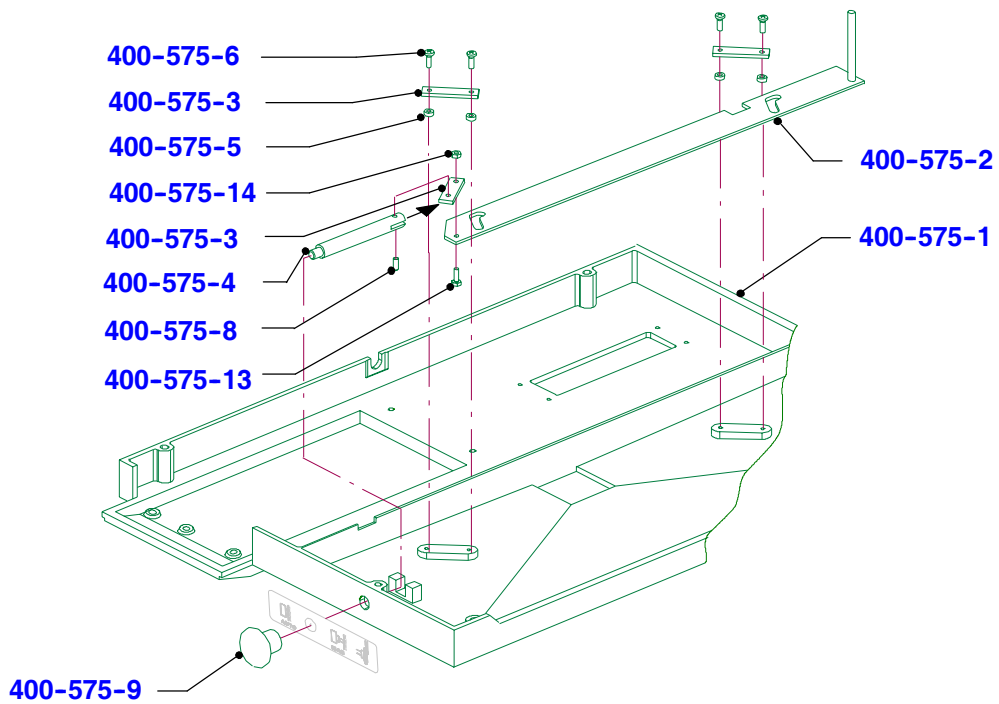


Basic parts

Switch angle mounted

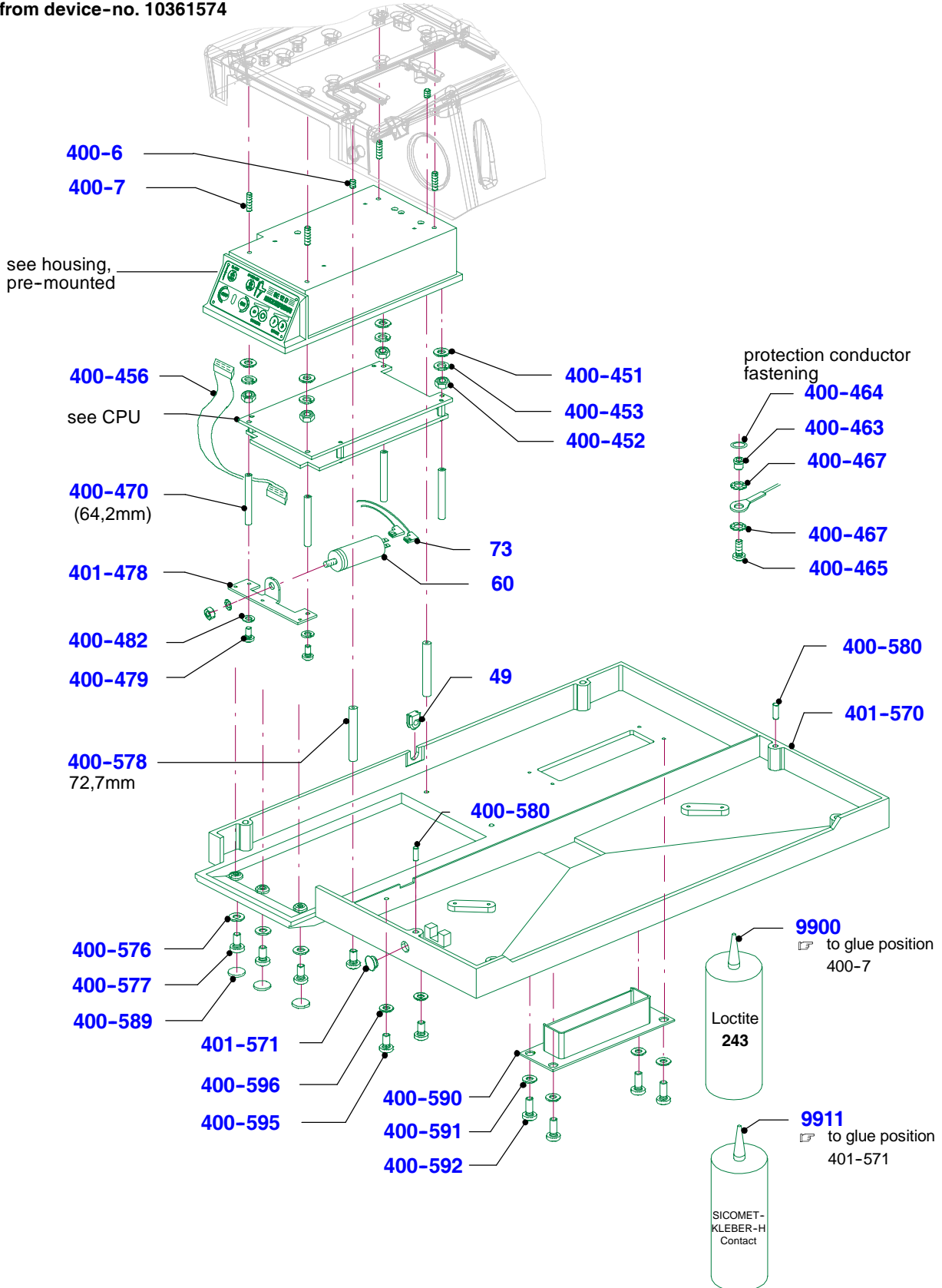


Baseplate mounted (with switching manual/automatic)



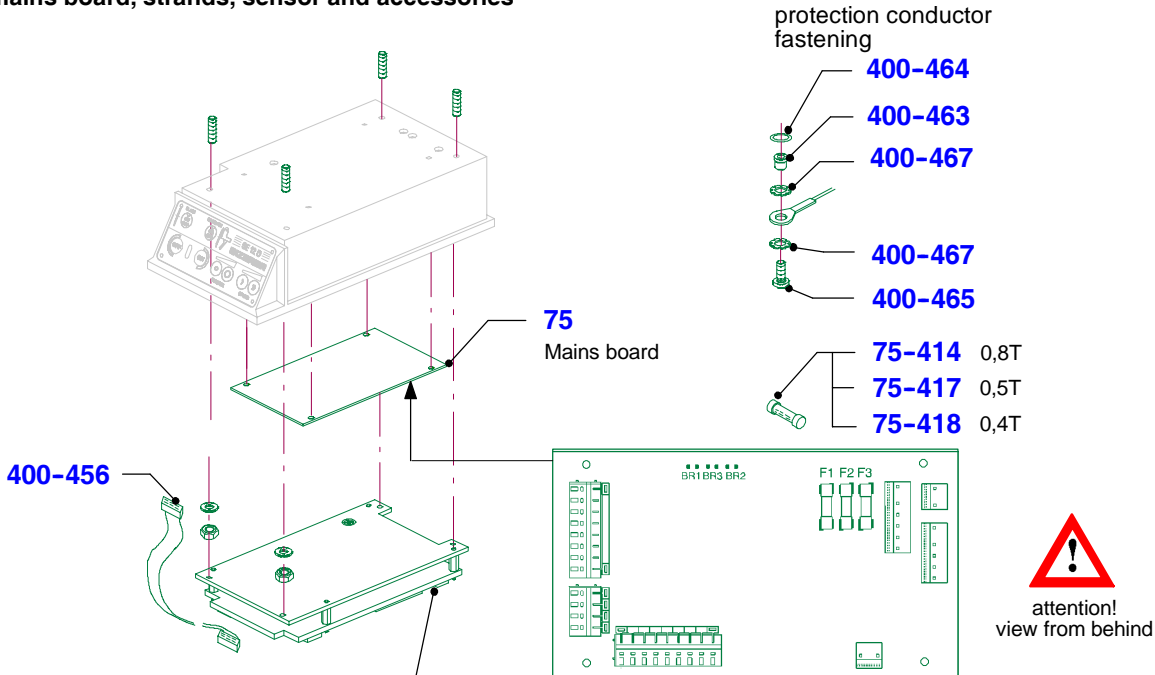
Basic parts

Baseplate (without switching manual/automatic), capacitor and accessories
from device-no. 10361574

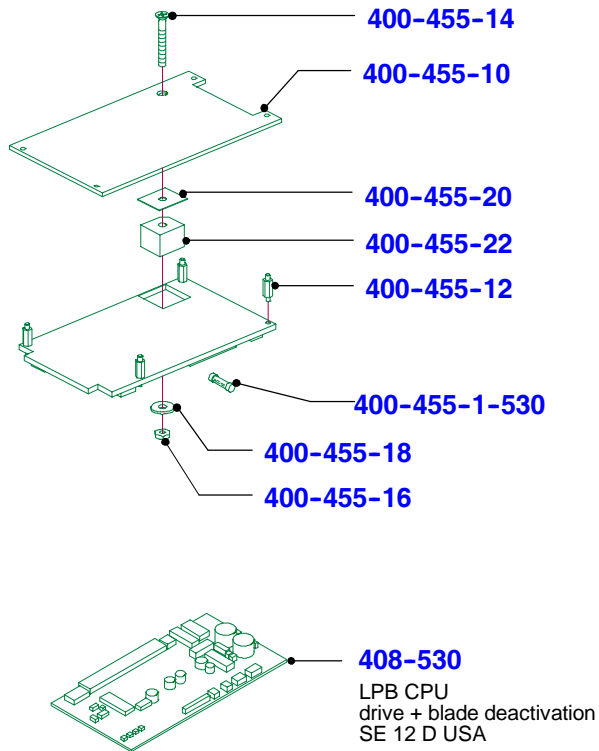
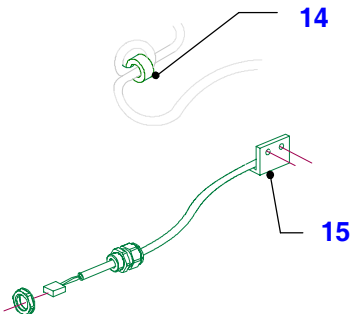
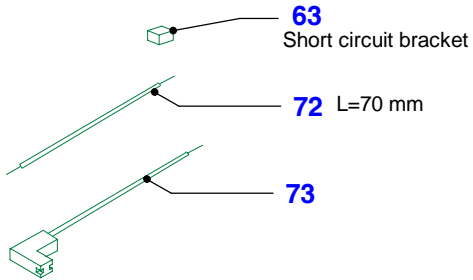


Basic parts

CPU, mains board, strands, sensor and accessories



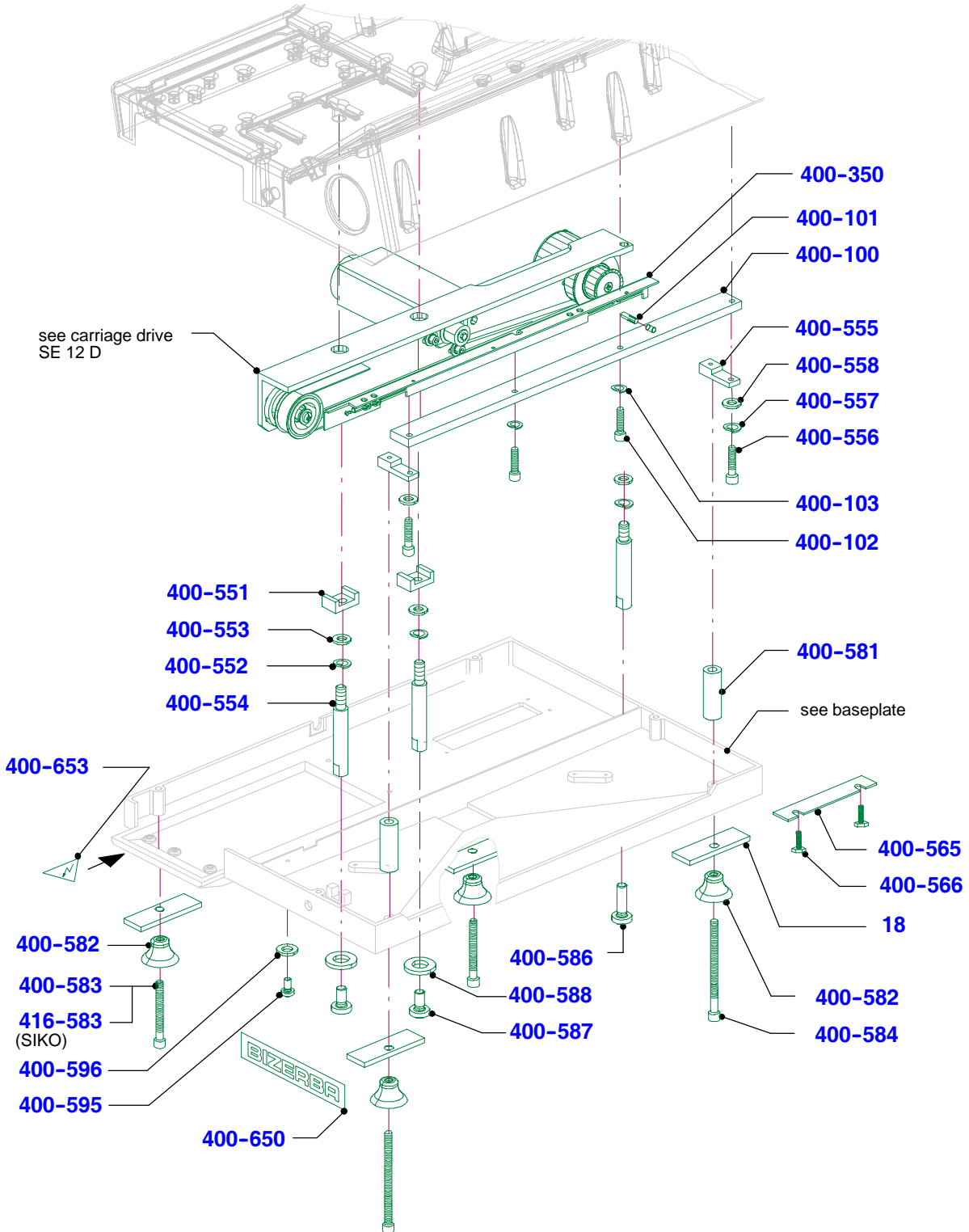
- Standard 400-455
- rotary current without zero conductor 411-455
- rotary current without zero conductor (SIKO) 416-455



4

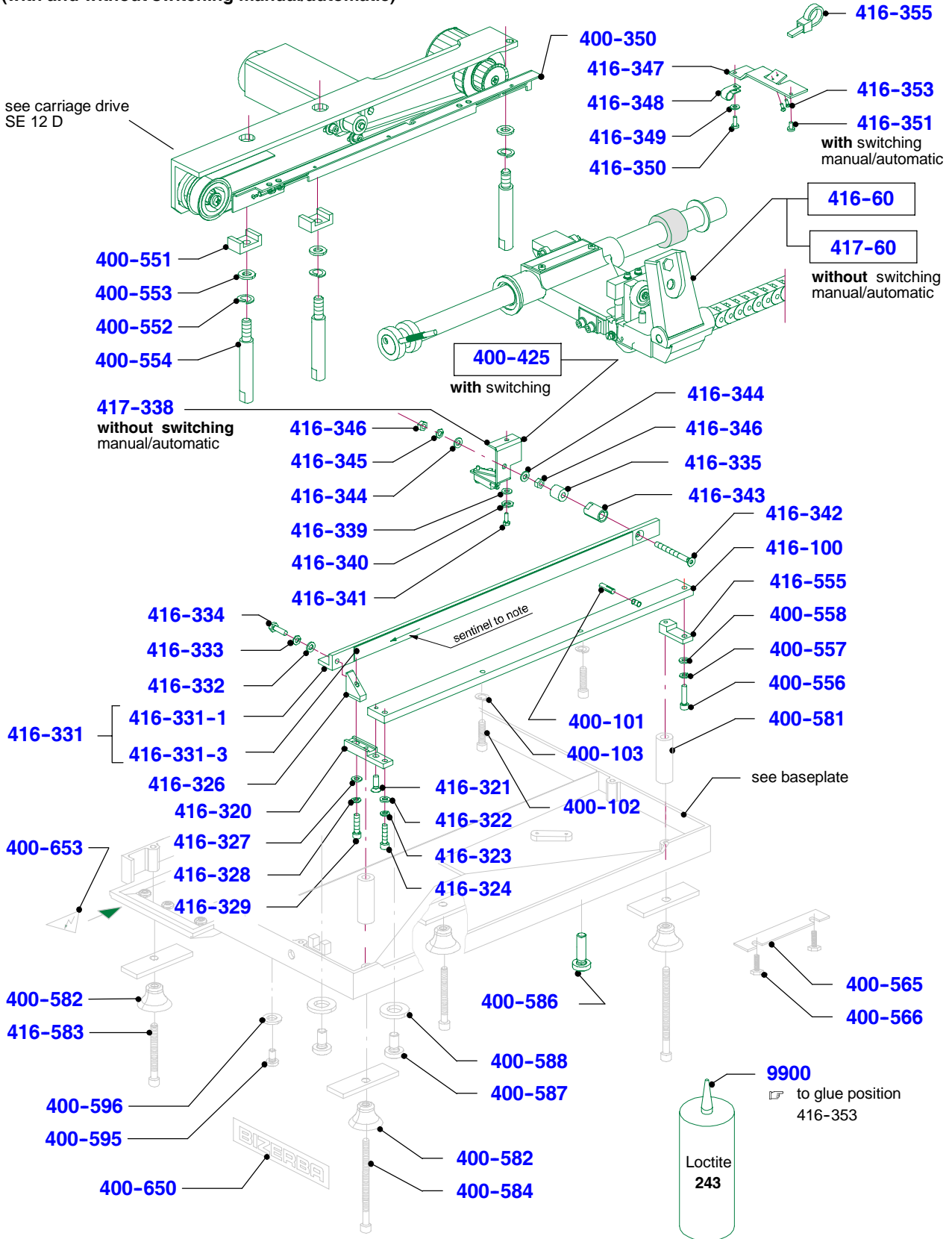
Basic parts

Carriage drive SE12D with accessories, guide rail, supporting legs - standard



Basic parts

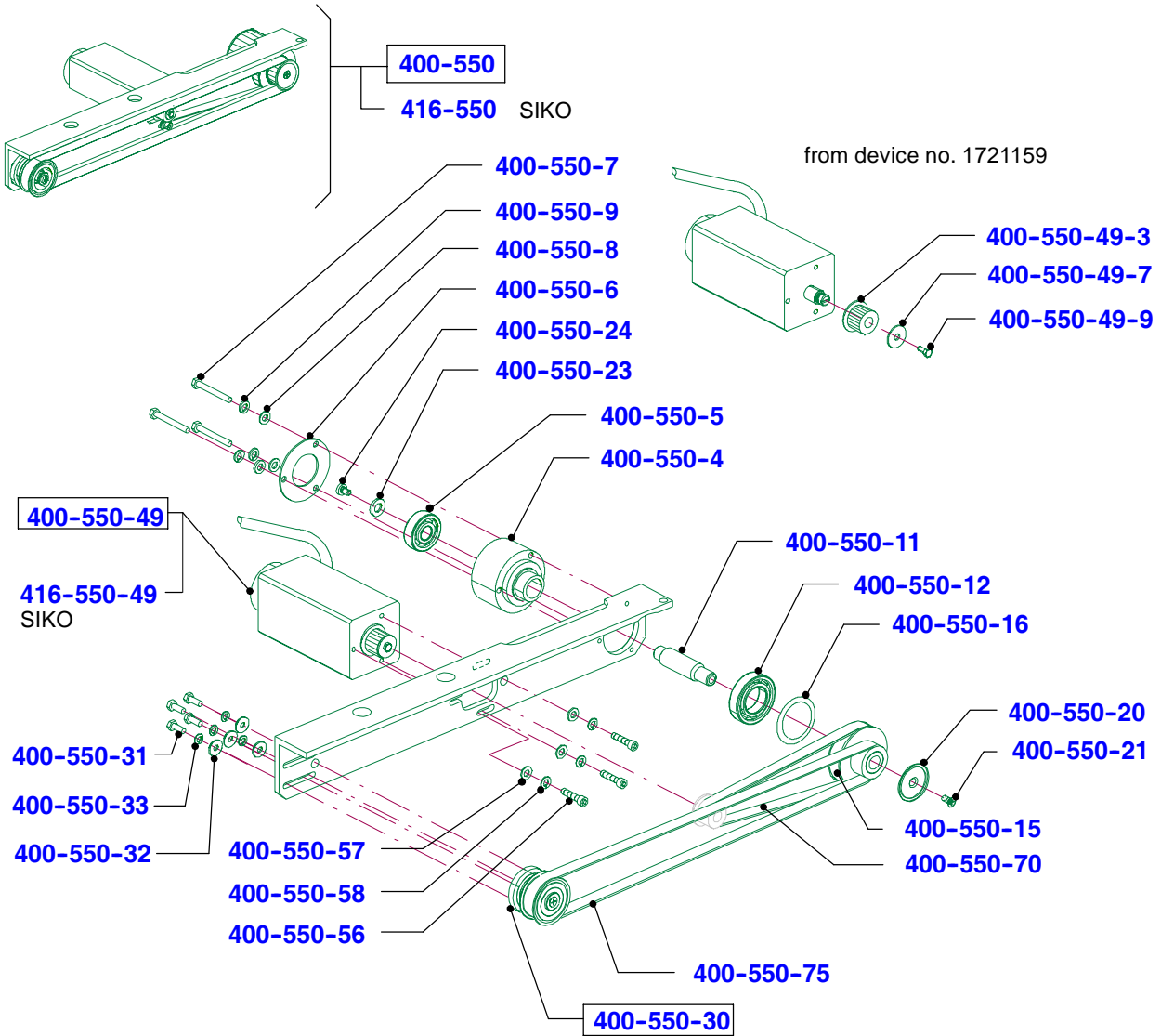
Carriage drive SE12D with accessories, guide rail, supporting legs - SIKO
(with and without switching manual/automatic)



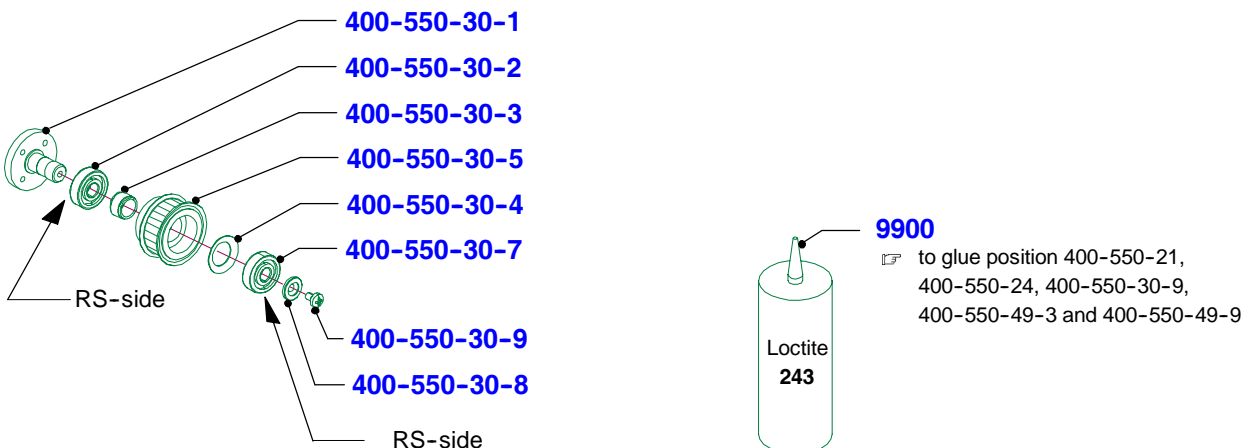
4

Basic parts

Carriage drive SE 12D (without thermal insulation, motor fastening **without** bushes)

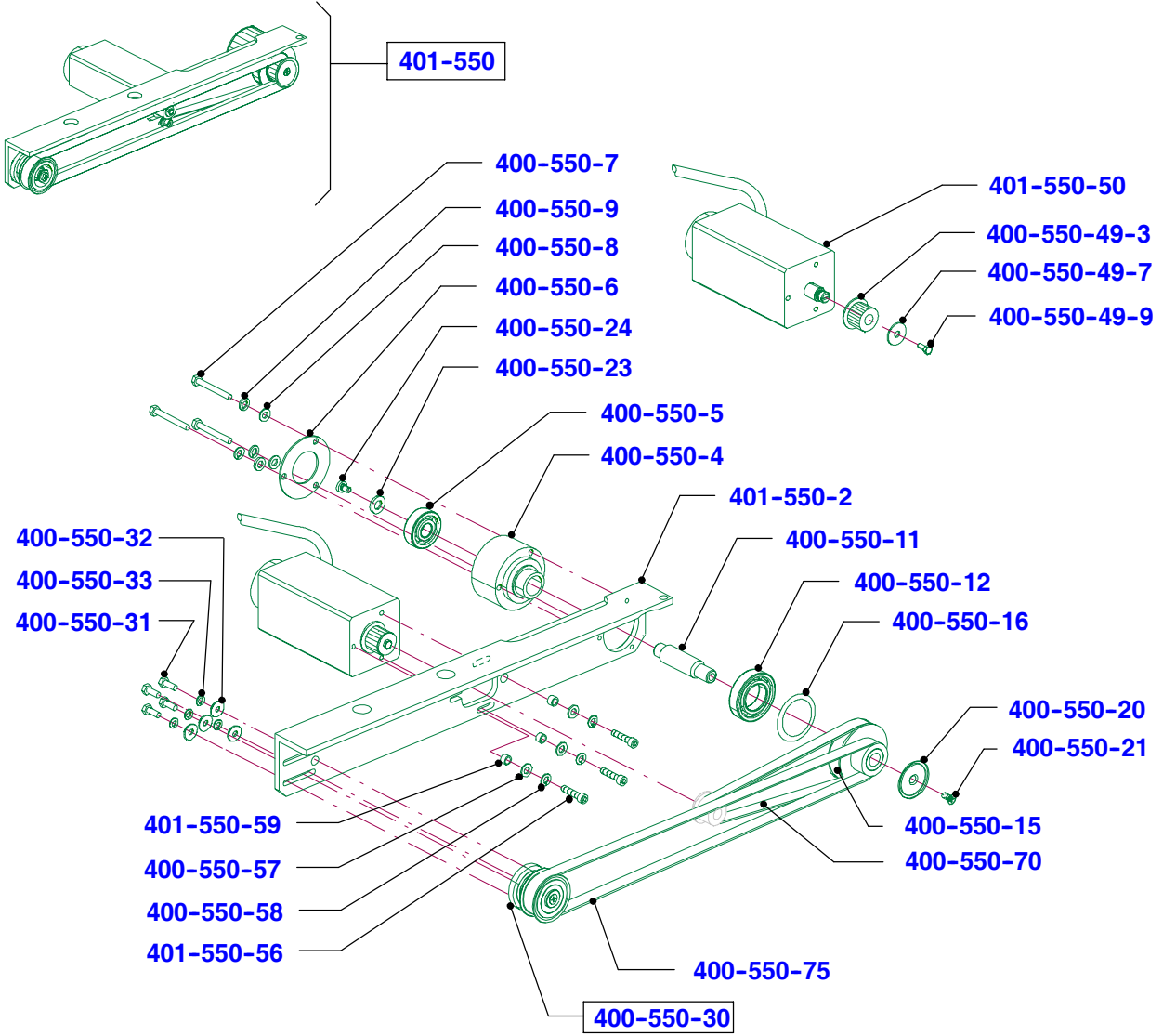


Bearing complete HTD 5M

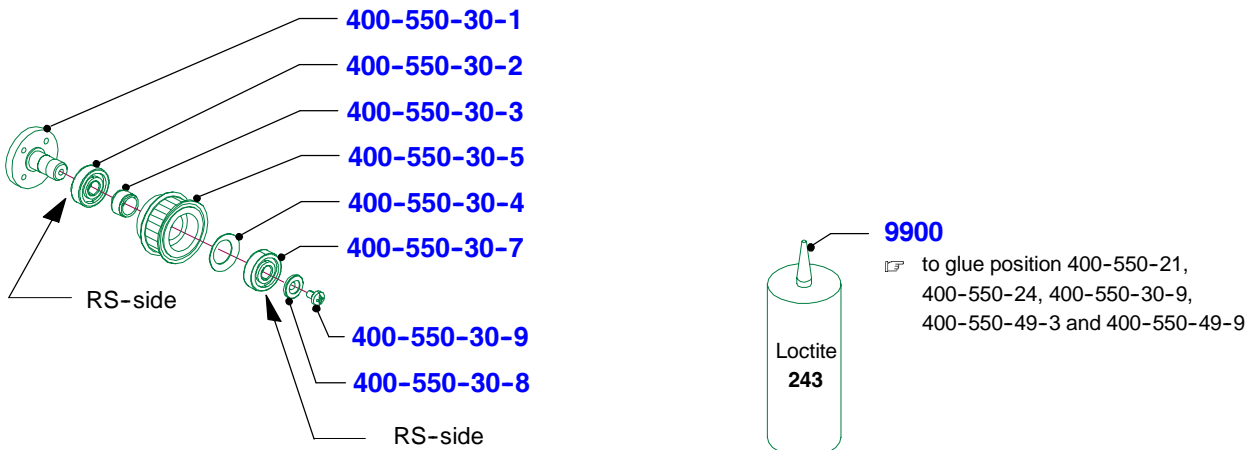


Basic parts

Carriage drive SE 12D (without thermal insulation, motor fastening **with** bushes)

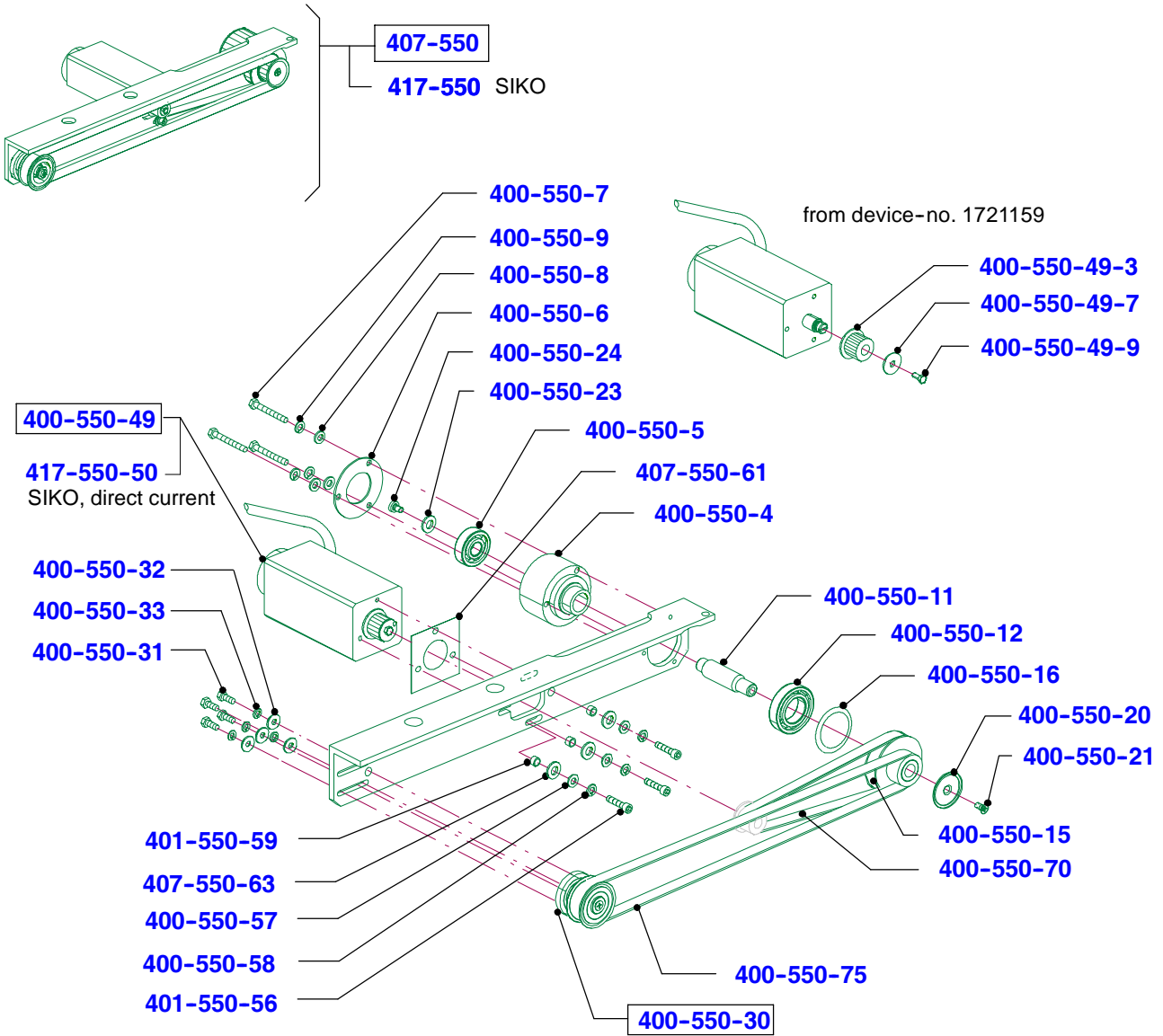


Bearing complete HTD 5M

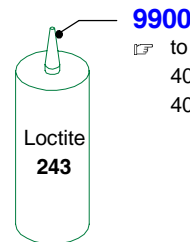
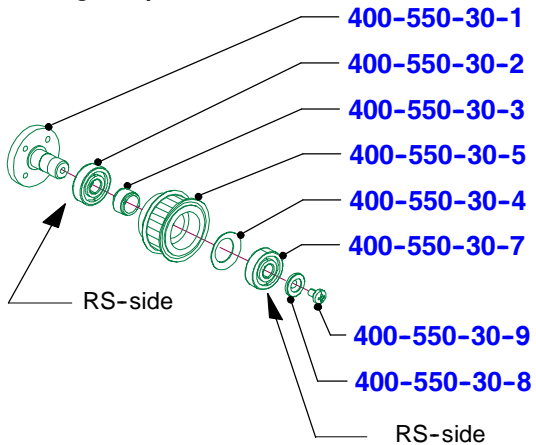


Basic parts

Carriage drive SE 12D (with thermal insulation, motor fastening with bushes)



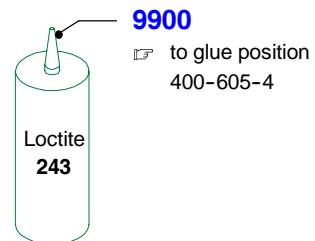
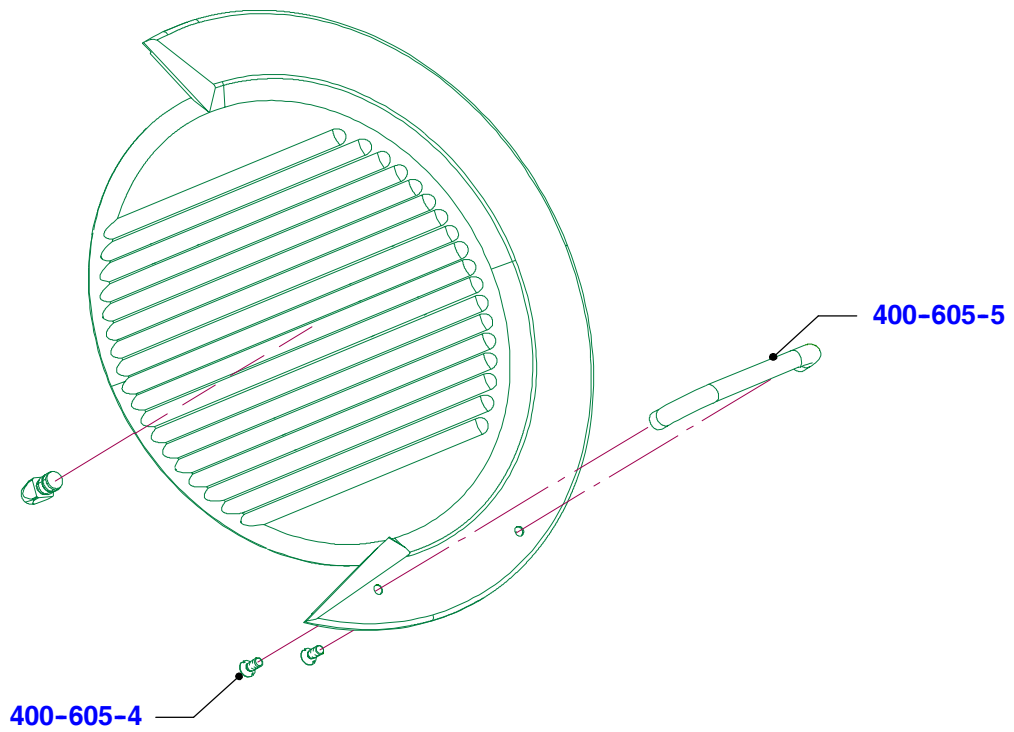
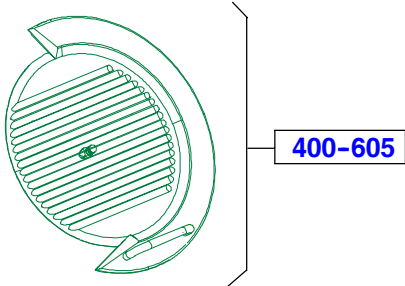
Bearing complete HTD 5M



to glue position 400-550-21,
400-550-24, 400-550-30-9,
400-550-49-3 and 400-550-49-9

Basic parts

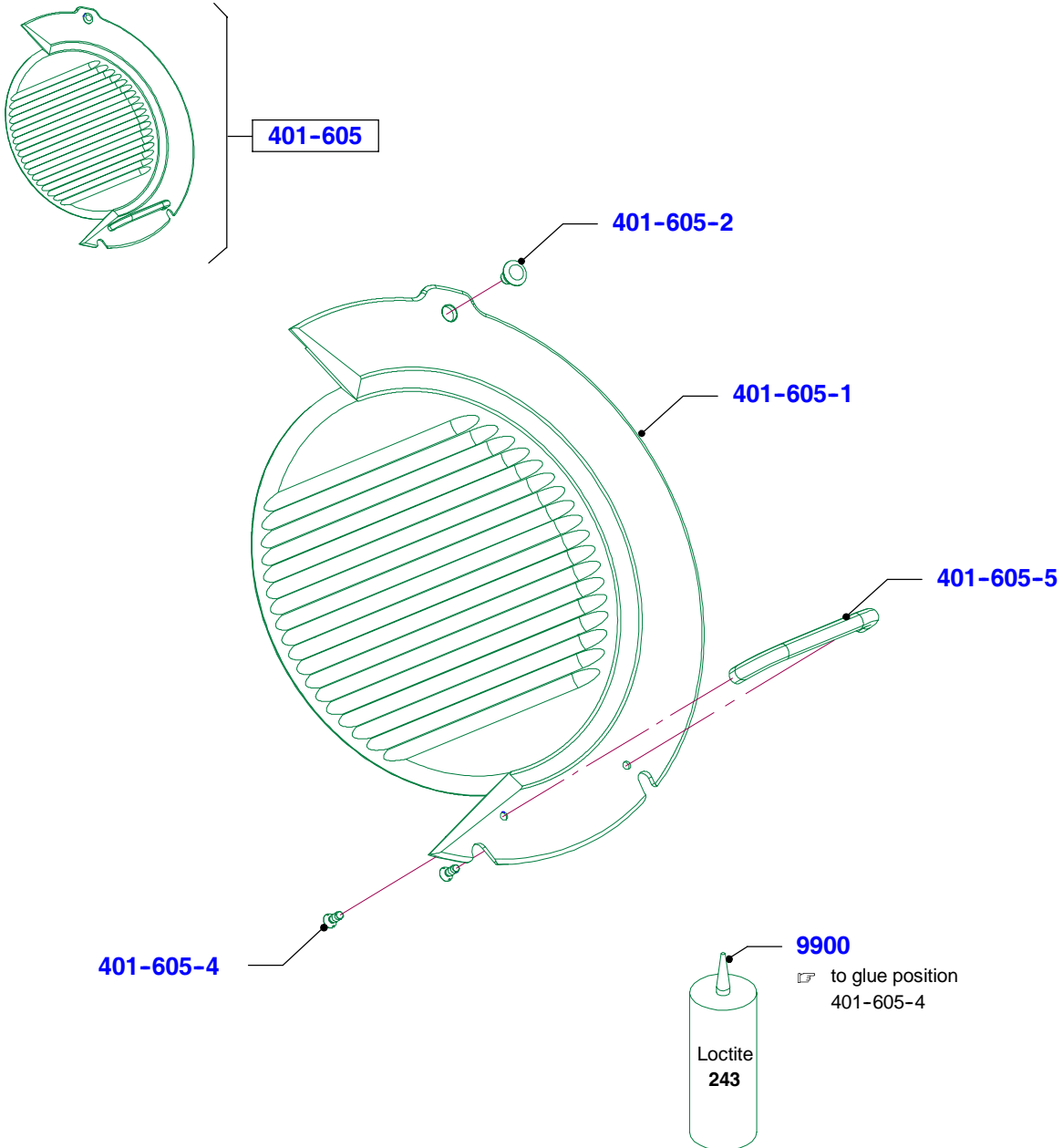
Blade cover pre-mounted (SE 12), central fastening
up to device-no. 10498129



4

Basic parts

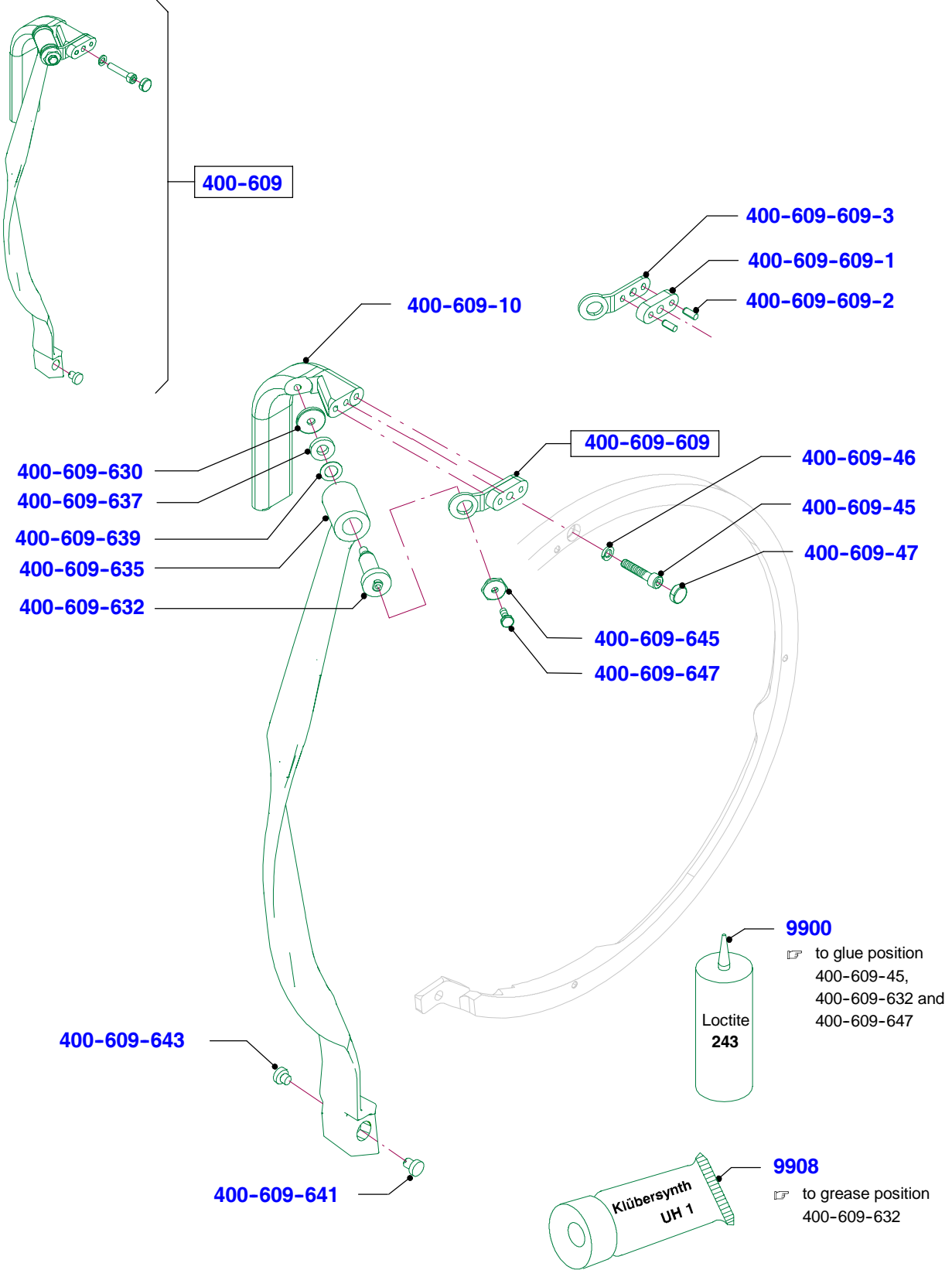
Blade cover complete, decentral fastening
from device-no. 10498130



4

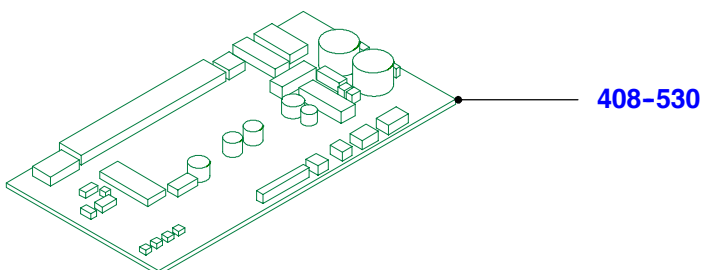
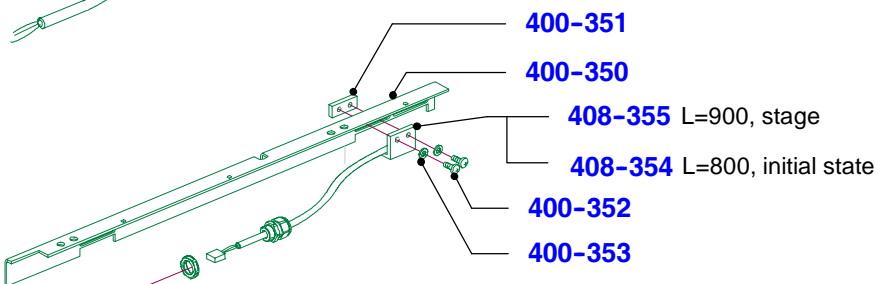
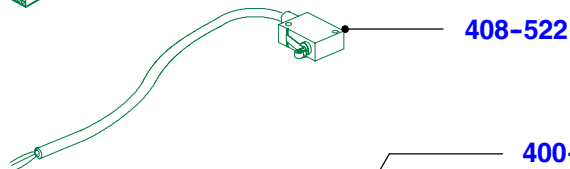
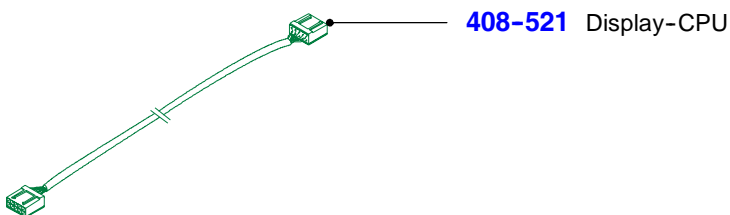
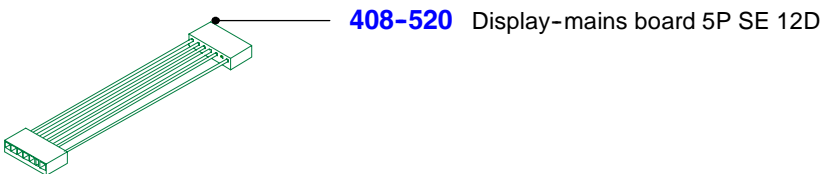
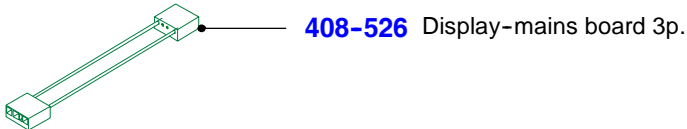
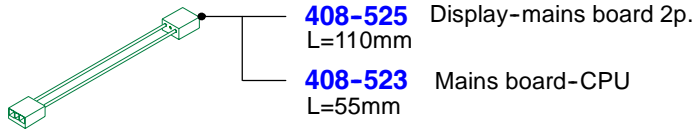
Basic parts

Deflector plastic (with integrated support)

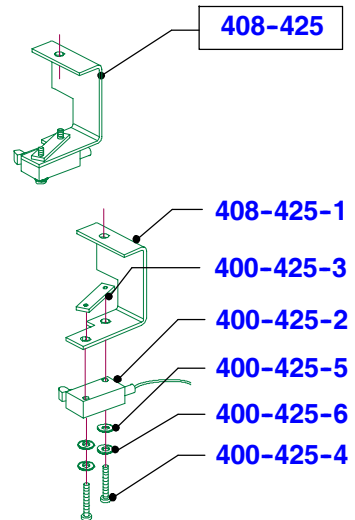


Basic parts

Blade deactivation (USA)

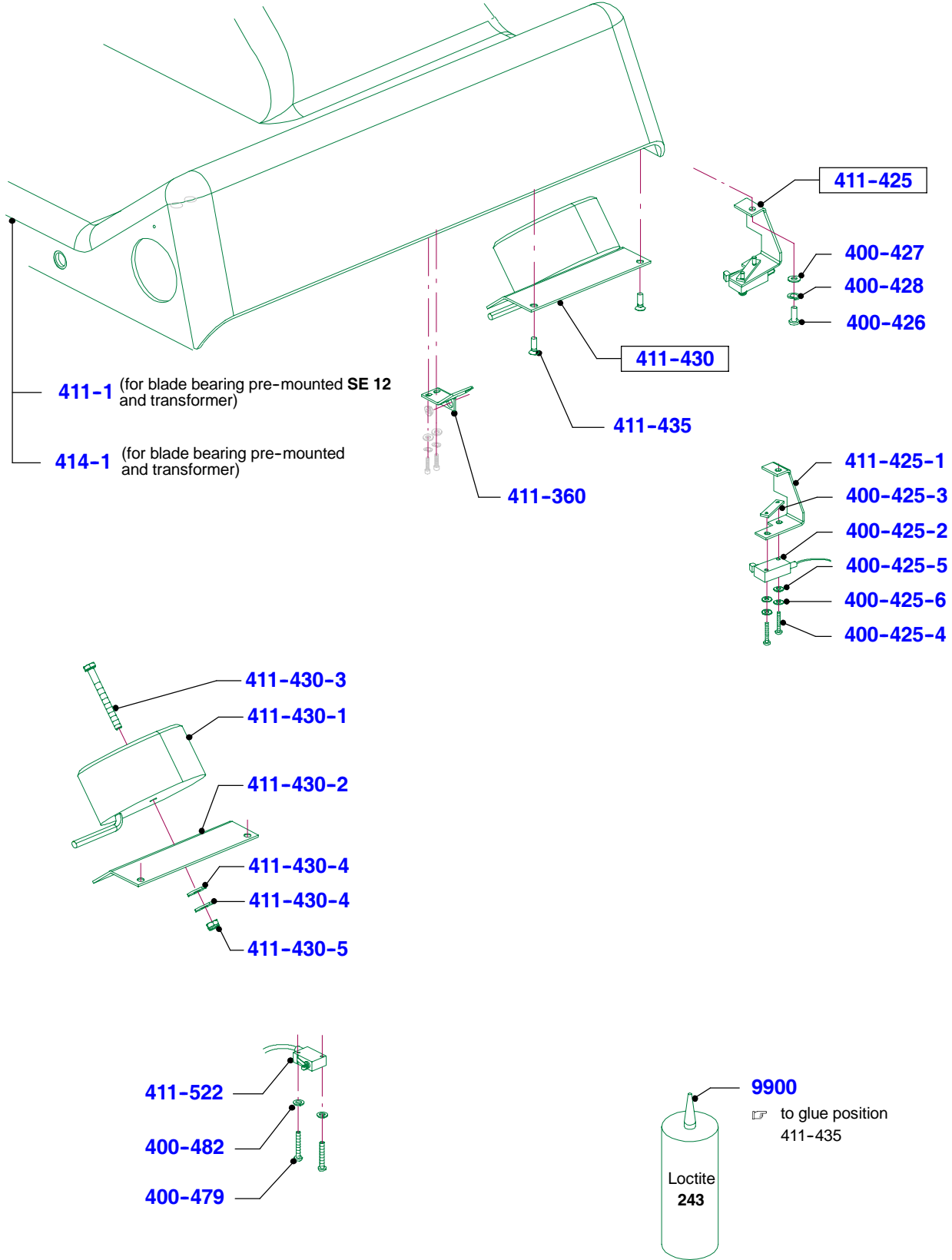


Switch angle, mounted



Basic parts

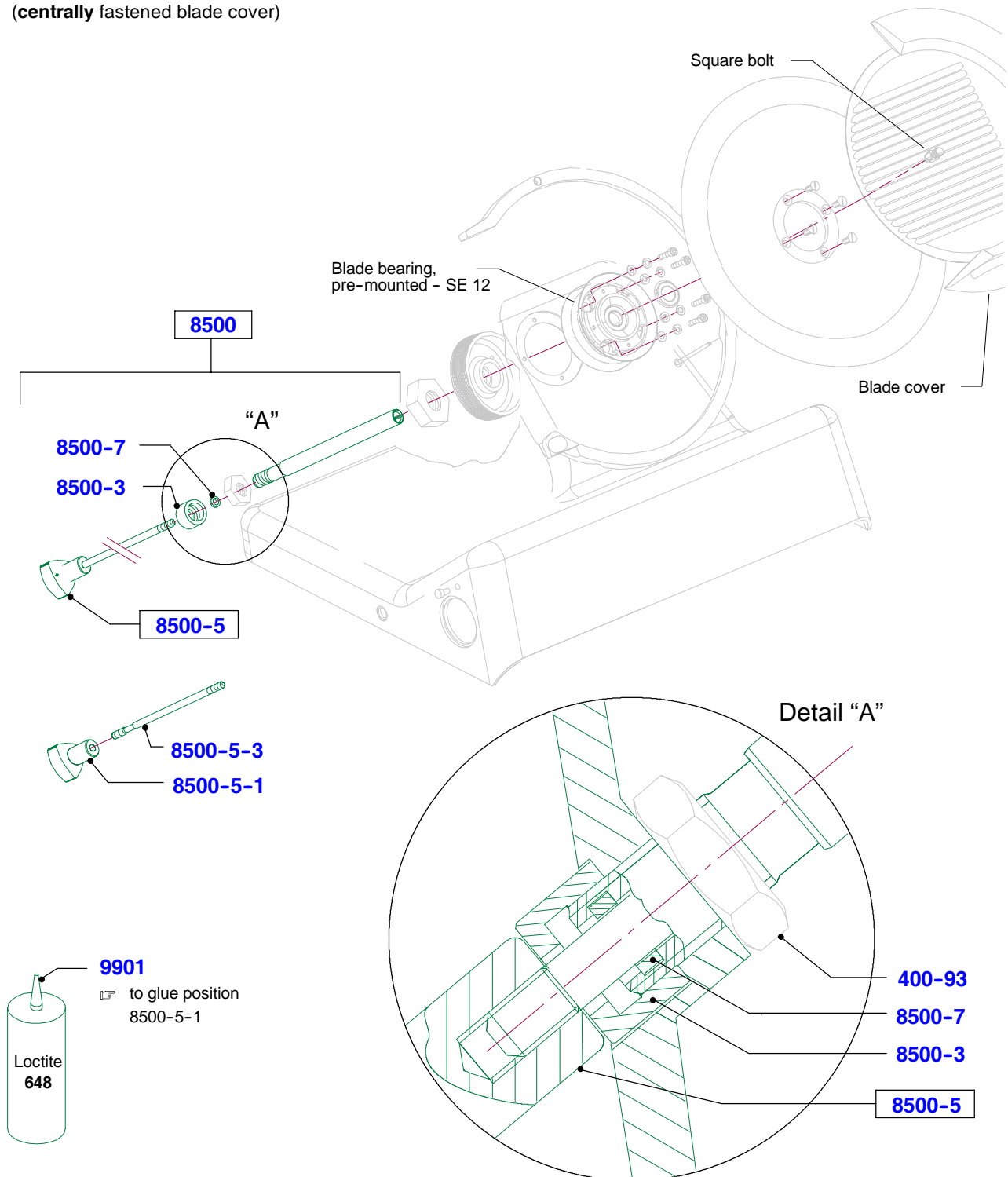
Transformer, pre-mounted (ITA)



4

Repair kit blade shaft USA

Only for blade bearing, pre-mounted SE 12
(centrally fastened blade cover)



| | | | |
|------------------------------|----------------|--|------------------------------------|
| Page of drawing 78 | SE 12 D | Spare parts list No. 038.98.3.1005 | Series (code No.) 90.092 |
|------------------------------|----------------|--|------------------------------------|

Slicer

SE 12 D

| Text content | Text page |
|--|------------------|
| Lifting lever SE 12 D | 1 |
| Carriage | |
| Inclination 0° (horizontal) | 1 |
| Inclination 18°, Low - Inclined slicer | 2 |
| Inclination 18°, Low, High - Clamping carriage | 4 |
| Inclination 25°, High, Alu RW and USA Grivory RW | 7 |
| Inclination 25°, High, Alu welded, USA and CAN | 8 |
| Retrofitting set one-part 25°-Aluminium carriage | 9 |
| Retrofitting set rear wall Lexan to Alu | 10 |
| Cables | 10 |
| Built-in motor | 10 |
| Capacitor and strands | 10 |
| Mains board | 10 |
| Blade and blade guard ring | 11 |
| Gauge plate | 12 |
| Signs | 12 |
| Accessories, accessories for elevated installation | 13 |
| Sharpener | 13 |
| Operating instructions, reference plates, warning labels | 14 |
| Instructions, Reference plates | 15 |
| Remnant holder | 16 |
| Product fixation | 16 |

Text content

Text page

Basic parts - Standard

| | |
|--|-------|
| Blade bearing, pre-mounted SE 12, for centrally fastened blade cover | 17 |
| Blade bearing, pre-mounted, for decentrally fastened blade cover | 17 |
| Carriage guide complete (for devices with switching manual/automatic) | 18 |
| Rotary knob | 19 |
| Bearing bracket pre-mounted | 19 |
| Housing pre-mounted | |
| with switching manual/automatic, up to device-no. 10361573 | 21 |
| without switching manual/automatic, from device-no. 10361574 | 24 |
| with blade deactivation SE 12 - D 120 (USA) | 25 |
| SIKO, without switching manual/automatic | 27 |
| Carriage drive SE-12D | |
| without thermische insulation, motor fastening w/o bushes, standard and SIKO . | 21+27 |
| without thermische insulation, motor fastening with bushes | 24 |
| with thermischer insulation, motor fastening with bushes, standard and SIKO .. | 24+27 |
| Baseplate mounted, with switching manual/automatic | 23 |
| Baseplate, without switching manual/automatic | 24 |
| Blade cover pre-mounted SE 12, up to devices-no. 10498129 | 23 |
| Blade cover pre-mounted, from devices-no. 10498130 | 24 |
| Deflector plastic | 23 |
| Blade deactivation (USA) | 25 |
| Version for transformer (ITA) | 25 |
| SIKO with switching manual/automatic | 26 |
| SIKO without switching manual/automatic | 27 |
| Blade shaft repair kit | 27 |
| Screw sealing, gluten and lubricative | 28 |
| Last text page | 28 |

The spare parts marked with „Q” are important for the verification, i. e. at the assembly of these parts the verification seal is destroyed. These parts can be purchased only at authorized Bizerba representations.

On the image and text section spear and wear parts are highlighted with (V).

| | | | |
|------------------------------------|--|----------------|-----------------------|
| Series (code No.) 90.092 | Spare parts list No. 038.98.3.1005 | SE 12 D | Text page 1 |
|------------------------------------|--|----------------|-----------------------|

| Number in drawing | Order number | Piece | Designation | from status onwards |
|-------------------|--------------|-------|---------------------------------------|---------------------|
| 14 | 71037810000 | 001 | FERRITE SLEEVE 74270053 | |
| 15 | 60386100702 | 001 | SENSOR COMPL. CUT. SE12D | |
| 17 | 60384000001 | 001 | LIFTING LEVER SE12D | |
| 17-1 | 60374000800 | 001 | LIFTING DEVICE PRE-ASSEMBLED | |
| 17-1-1 | 60374000500 | 001 | ARM | |
| 17-1-5 | 60374000300 | 001 | LIFT FOOT BLOCK | |
| 17-1-10 | 60374000200 | 001 | LIFTING DEVICE STOPPER | |
| 17-1-15 | 60374000100 | 001 | LIFT FOOT | |
| 17-1-20 | 60374000600 | 001 | SHAFT | |
| 17-1-25 | 60224000400 | 002 | ROLLER | |
| 17-1-30 | 60510100053 | 002 | HEXAGON SETSCREW M 6X7X9 | |
| 17-1-35 | 56359570000 | 003 | GROOVED PIN DIN 1473-4X18-A2 | |
| 17-1-40 | 56359380000 | 001 | GROOVED PIN DIN 1473-4X20-A2 | |
| 17-1-45 | 56086280000 | 001 | BALL KNOB DIN 319-C 40 M12 | |
| 17-1-50 | 50001250000 | 002 | BUSH 12X14X10 | |
| 17-5 | 57743520000 | 002 | SOCKET HEAD SCREW DIN 912-M6X70-A2-70 | |
| 17-10 | 60380303600 | 004 | SHIM | |
| 17-15 | 57431250000 | 002 | HEXAGON SCREW DIN 933-M6X25-A2-70 | |
| 17-20 | 57767060000 | 002 | SPR. LOCK WASHER DIN 126-A6-FST | |
| 18 | 60380303600 | 004 | SHIM | |
| 20 | | 001 | CARRIAGE HORIZONTAL BW | |
| 20-1 | 60370200201 | 001 | CARRIAGE FOOT 0 DEGREE | |
| 20-5 | 60800204600 | 001 | STAR KNOB WITH BOLT | |
| 20-5-1 | 56087070000 | 001 | STAR KNOB DIN 6335-K 63 M12-CUZN | |
| 20-5-2 | 60220400500 | 001 | THREADED BOLT | |
| 20-41 | 56768100000 | 001 | WASHER DIN 125-A 13-PA66 | |
| 20-42 | 57753800000 | 001 | RETAINING WASHER DIN 6799-8-1.4122 | |
| 20-50 | 60380200401 | 001 | CARRIAGE PLATE 0 DEGREE | |
| 20-51 | 57440490000 | 002 | COUNTERS.SCR. DIN 7991-M8X60-8.8 | |
| 20-52 | 57440460000 | 002 | COUNTERS.SCR. ISO 10642-M8X25-8.8 | |
| 20-53 | 56765070000 | 001 | WASHER DIN 9021-8,4-A2-70 | |
| 20-54 | 57767080000 | 001 | SPR. LOCK WASHER DIN 128-A8-FST | |
| 20-56 | 56456800000 | 001 | HEXAGON NUT DIN 934-M8-X5CRN118-10 | |
| 20-57 | 60370200400 | 001 | THREADED ROD | |
| 20-59 | 40220000201 | 004 | PROTECTIVE PLUG 12.2 KNURLED | |
| 20-60 | 60380201500 | 001 | GUIDE RAIL | |
| 20-62 | 57630620000 | 002 | COUNTERS.SCR. DIN 963-M6X12-A2-70 | |
| 20-100 | 60380202200 | 001 | BEARING PEDESTAL TOP | |
| 20-102 | 60380202000 | 001 | BOLT | |
| 20-106 | 57630640000 | 001 | COUNTERS.SCR. DIN 963-M6X20-A2-70 | |
| 20-110 | 60270200500 | 002 | SHOCK ABSORBER | |
| 20-112 | 60380202600 | 001 | GUIDING SHAFT | |
| 20-114 | 60380201102 | 001 | GUIDE PRE-ASSEMBL. | |
| 20-114-2 | 60380201002 | 001 | GUIDE | |
| 20-114-4 | 50001160000 | 002 | BUSH MB 1215 | |
| 20-114-6 | 56336120000 | 001 | GROOVED PIN DIN 1474-4X12 A2-70 | |

Bitte unbedingt 11-stellige **Bestell-Nr.** angeben • Please always indicate 11 digit **Order No.** • Absolutement nécessaire d'indiquer **No. de commande** (11 chiffres) • Favorisca specificarci sempre il **N. di ordine** a 11 cifre • Es imprescindible que citen el **No. de pedido** (11 guarismos)

| | | | |
|-----------------------|----------------|--|------------------------------------|
| Text page 2 | SE 12 D | Spare parts list No. 038.98.3.1005 | Series (code No.) 90.092 |
|-----------------------|----------------|--|------------------------------------|

| Number in drawing | Order number | Piece | Designation | from status onwards |
|-------------------|--------------|-------|--|---------------------|
| 20-114-8 | 56170200000 | 001 | PARALLEL PIN DIN 7-6M6X20-ST | |
| 20-114-10 | 56187970000 | 001 | PARALLEL PIN DIN 7-6M6X10-A2 | |
| 20-116 | 60380202900 | 001 | LOCKING LEVER | |
| 20-118 | 56765040000 | 001 | WASHER DIN 9021-4,3-A2-70 | |
| 20-120 | 56972500000 | 001 | MUSHROOM HEAD SCREW M4X12-A2-70-TUFLOK | |
| 20-124 | 60380203200 | 002 | THREADED PIN | |
| 20-125 | 57744870000 | 001 | COVERING CAP RIBE SW5 | |
| 20-128 | 60270200500 | 004 | SHOCK ABSORBER | |
| 20-130 | 50001510000 | 003 | DISC SPRING DIN 151 11X6.2X0.3 | |
| 20-132 | 60380202300 | 001 | BEARING PEDESTAL BOTTOM | |
| 20-134 | 57630640000 | 001 | COUNTERS.SCR. DIN 963-M6X20-A2-70 | |
| 20-150 | 60353602702 | 001 | BACKWARD COVER | |
| 20-151 | 60353602800 | 001 | ADHESIVE FOIL | |
| 20-152 | 56739040000 | 004 | WASHER DIN 125-A 4,3-A2-70 | |
| 20-153 | 57767040000 | 004 | SPR. LOCK WASHER DIN 128-A4-FST | |
| 20-154 | 56456400000 | 004 | HEXAGON NUT DIN 934-M4-A2-70 | |
| 20-161 | 60370402200 | 004 | PROTECTIVE PLUG | |
| 20-180 | 60380205702 | 001 | PRODUCT HOLDER COMPL. | |
| 20-180-1 | 60380205603 | 001 | GUIDE WELDED | |
| 20-180-3 | 56087080000 | 001 | STAR KNOB DIN 6335-K 50 M8 | |
| 20-180-5 | 57432400000 | 001 | HEXAGON SCREW DIN 933-M8X40-A2-70 | |
| 20-180-9 | 60380204200 | 002 | REMNANT HOLDER | |
| 20-180-11 | 60380205900 | 002 | GUIDE | |
| 20-180-12 | 60380206000 | 002 | GUIDE | |
| 20-180-13 | 60380204100 | 008 | INSERT NUT | |
| 20-180-15 | 56972500000 | 016 | MUSHROOM HEAD SCREW M4X12-A2-70-TUFLOK | |
| 20-180-17 | 56972800000 | 002 | MUSHROOM HEAD SCREW M6X40-A2-70 | |
| 20-180-18 | 56456600000 | 002 | HEXAGON NUT DIN 934-M6-A2-70 | |
| 20-180-19 | 56087030000 | 002 | STAR KNOB DIN 6335-K 40 M6-CUZN | |
| 20-180-20 | 56765060000 | 002 | WASHER DIN 9021-6,4-A2-70 | |
| 20-300 | 56008200000 | 002 | SELF CLINCHING STUD FHS-M4-12-A2-70 | |
| 20-302 | 60274600400 | 002 | ROUND NUT | |
| 20-304 | 60380201800 | 001 | GUIDE BAR | |
| 20-310 | 60380200700 | 001 | RULER PRE-ASSEMBLED | |
| 20-310-1 | 60380200600 | 001 | RULER | |
| 20-310-3 | 60380205800 | 001 | SLIDE PIN | |
| 20-310-5 | 56269330000 | 001 | ROUND-HEAD NAIL DIN 1476-3X6-PC | |
| 20-310-7 | 60380201700 | 001 | SLIDER | |
| 20-310-9 | 57451590000 | 002 | COUNTERS.SCR. DIN 965-M5X40-A2-70 | |
| 20-310-12 | 60380201300 | 001 | STAR KNOB COMPL. | |
| 22 | | 001 | CARRIAGE CEN 18 INCLINED | |
| 22-1 | 60370300201 | 001 | CARRIAGE FOOT 18L | |
| 22-4 | 56768100000 | 001 | WASHER DIN 125-A 13-PA66 | |
| 22-5 | 60800204600 | 001 | STAR KNOB WITH BOLT | |
| 22-5-1 | 56087070000 | 001 | STAR KNOB DIN 6335-K 63 M12-CUZN | |
| 22-5-2 | 60220400500 | 001 | THREADED BOLT | |
| 22-7 | 57753800000 | 001 | RETAINING WASHER DIN 6799-8-1.4122 | |
| 22-20 | 60372403600 | 001 | CARRIAGE PLATE PRE-MOUNT. | |

Bitte unbedingt 11-stellige **Bestell-Nr.** angeben • Please always indicate 11 digit **Order No.** • Absolutement nécessaire d'indiquer **No. de commande** (11 chiffres) • Favorisca specificarci sempre il **N. di ordine** a 11 cifre • Es imprescindible que citen el **No. de pedido** (11 guarismos)

| | | | |
|------------------------------------|--|----------------|-----------------------|
| Series (code No.) 90.092 | Spare parts list No. 038.98.3.1005 | SE 12 D | Text page 3 |
|------------------------------------|--|----------------|-----------------------|

| Number in drawing | Order number | Piece | Designation | from status onwards |
|-------------------|--------------|-------|---------------------------------------|------------------------|
| 22-21 | 57440490000 | 002 | COUNTERS.SCR. DIN 7991-M8X60-8.8 | |
| 22-23 | 57440460000 | 002 | COUNTERS.SCR. ISO 10642-M8X25-8.8 | |
| 22-25 | 60370300400 | 001 | THREADED ROD 18L | |
| 22-35 | 56765070000 | 001 | WASHER DIN 9021-8,4-A2-70 | |
| 22-36 | 57767080000 | 001 | SPR. LOCK WASHER DIN 128-A8-FST | |
| 22-37 | 56456800000 | 001 | HEXAGON NUT DIN 934-M8-X5CRNI18-10 | |
| 22-40 | 40220000201 | 004 | PROTECTIVE PLUG 12.2 KNURLED | |
| 22-60 | 60370200600 | 001 | BEARING PEDESTAL | |
| 22-62 | 56972510000 | 002 | MUSHROOM HEAD SCREW M4X12-A2-70 | |
| 22-70 | 60370201100 | 001 | STOP | |
| 22-72 | 56972490000 | 002 | MUSHROOM HEAD SCREW M4X8-A2-70 | |
| 22-79 | 60270200500 | 002 | SHOCK ABSORBER | |
| 22-80 | 60370300900 | 001 | GUIDING SHAFT | |
| 22-81 | 60270200500 | 001 | SHOCK ABSORBER | |
| 22-82 | 50001510000 | 003 | DISC SPRING DIN 151 11X6.2X0.3 | |
| 22-100 | | 001 | SLIDER GUARD + LEVER | |
| 22-100-1 | | 001 | LEVER; PRE-MOUNT DIAG. C:18DEGREE | |
| 22-100-1-1 | 60372401400 | 001 | LEVER DIAGONAL CUT 18 DEGREES | |
| 22-100-1-5 | 50001160000 | 002 | BUSH MB 1215 | |
| 22-100-1-10 | 40300900005 | 001 | BOLT | |
| 22-100-1-20 | 60370401500 | 001 | BOLT | |
| 22-100-1-25 | 56337160000 | 001 | GROOVED PIN DIN 1474-5X16 A2-70 | |
| 22-100-3 | 60370203203 | 001 | GUARD PLATE | |
| 22-100-5 | 60270201802 | 001 | WASHER WITH BOLT | |
| 22-100-7 | 60220401600 | 001 | LOCK WASHER | |
| 22-100-9 | 60220403800 | 001 | WASHER | |
| 22-100-11 | 60370202000 | 001 | SHAFT | |
| 22-100-15 | 50001540000 | 001 | DISC SPRING 23,7X14,3X0,3 | |
| 22-100-17 | 60352302300 | 001 | THRUST WASHER | |
| 22-100-19 | 60353801402 | 001 | HANDLE | |
| 22-100-21 | 56739080000 | 001 | WASHER DIN 125-A 8,4-A2-70 | |
| 22-100-23 | 57767080000 | 001 | SPR. LOCK WASHER DIN 128-A8-FST | |
| 22-100-25 | 57743740000 | 001 | SOCKET HEAD SCREW DIN 912-M8X50-A2-70 | |
| 22-100-27 | 60220000802 | 001 | PROTECTIVE PLUG 27;2 KNURLED | |
| 22-140 | 60370200800 | 001 | BEARING PEDESTAL | |
| 22-142 | 56972510000 | 002 | MUSHROOM HEAD SCREW M4X12-A2-70 | |
| 22-148 | 60370401900 | 003 | SCREW | |
| 22-150 | 60372302100 | 001 | REAR WALL INCLINED CARR. | |
| 22-151 | 60372302200 | 001 | ADHESIVE FOIL | |
| 22-152 | 56739050000 | 003 | WASHER DIN 125-A 5,3 -A2-70 | |
| 22-153 | 57767050000 | 003 | SPR. LOCK WASHER DIN 128-A5-FST | |
| 22-154 | 56444500000 | 003 | HEXAGON NUT DIN 439-BM5-A2-70 | |
| 22-161 | 60370402200 | 003 | PROTECTIVE PLUG | |
| 22-170 | 60370403500 | 001 | BAR | |
| 22-171 | 56972780000 | 002 | MUSHROOM HEAD SCREW M6X8-A2-70 | |
| 22-175 | 56046530000 | 001 | SETSCREW DIN 551-M10X35-A2-70 | |
| 22-177 | 60370203400 | 001 | SEALING | |
| 22-178 | 60370303700 | 001 | HANDHOLD 28X90 M10 | |
| 22-200 | 60380402400 | 001 | PROTECTIVE PLATE | |
| 22-220 | 60372300400 | 001 | SUPPORTING PLATE | |
| 22-225 | 60372305300 | 001 | TRUNNION | |
| 22-227 | 50002310000 | 001 | PROTECTIVE PLUG TL-4-044 | |
| 22-228 | 56359300000 | 001 | GROOVED PIN DIN 1473-3X12-A2 | |

Bitte unbedingt 11-stellige **Bestell-Nr.** angeben • Please always indicate 11 digit **Order No.** • Absolutement nécessaire d'indiquer **No. de commande** (11 chiffres) • Favorisca specificarci sempre il **N. di ordine** a 11 cifre • Es imprescindible que citen el **No. de pedido** (11 guarismos)

| | | | |
|-----------------------|----------------|--|------------------------------------|
| Text page 4 | SE 12 D | Spare parts list No. 038.98.3.1005 | Series (code No.) 90.092 |
|-----------------------|----------------|--|------------------------------------|

| Number in drawing | Order number | Piece | Designation | from status onwards |
|-------------------|--------------|-------|---|------------------------|
| 22-230 | | 001 | DIAGONAL CUT PLATE CPL. | |
| 22-230-1 | 60372305100 | 001 | DIAGONAL CUT PLATE | |
| 22-230-2 | 60800305200 | 001 | LOCKING BOLT | |
| 22-300 | 56008200000 | 002 | SELF CLINCHING STUD FHS-M4-12-A2-70 | |
| 22-302 | 60274600400 | 002 | ROUND NUT | |
| 22-304 | 60370202400 | 001 | GUIDE BAR | |
| 22-320 | | 001 | SALAMI GUIDE | |
| 22-320-1 | 60381801000 | 001 | SLIDER | |
| 22-320-3 | 56047610000 | 001 | SETSCREW DIN 551-M6X8-PA | |
| 22-320-10 | 60381800701 | 001 | RULER, SOLDERED | |
| 22-320-12 | 60380402200 | 002 | SLIDE PIN | |
| 22-320-15 | 56070570000 | 001 | SETSCREW DIN 926-M6X7,5X11,5-A2-70 | |
| 22-320-16 | 56777100000 | 001 | SEALING WASHER DIN 470-10-AL | |
| 23 | | 001 | CLAMPING CARRIAGE CEN 18L | |
| | | 001 | CLAMPING CARRIAGE CEN 18L ALU ONE-PART WELDED | |
| | | 001 | CLAMPING CARRIAGE 18H | |
| 23-1 | 60370300201 | 001 | CARRIAGE FOOT 18L | |
| | 60380800201 | 001 | FOOT 18H | |
| 23-5 | 60800204600 | 001 | STAR KNOB WITH BOLT | |
| 23-5-1 | 56087070000 | 001 | STAR KNOB DIN 6335-K 63 M12-CUZN | |
| 23-5-2 | 60220400500 | 001 | THREADED BOLT | |
| 23-41 | 56768100000 | 001 | WASHER DIN 125-A 13-PA66 | |
| 23-42 | 57753800000 | 001 | RETAINING WASHER DIN 6799-8-1.4122 | |
| 23-50 | 60380803601 | 001 | CARRIAGE PLATE, PREASSEMBLED 18H | |
| | 60380400201 | 001 | CARRIAGE PLATE 18L | |
| | 60380620100 | 001 | CARRIAGE PLATE WELD. (ALU ONE-PART) | |
| 23-51 | 57440490000 | 002 | COUNTERS.SCR. DIN 7991-M8X60-8.8 | |
| 23-52 | 57440460000 | 002 | COUNTERS.SCR. ISO 10642-M8X25-8.8 | |
| 23-53 | 56765070000 | 001 | WASHER DIN 9021-8,4-A2-70 | |
| 23-54 | 57767080000 | 001 | SPR. LOCK WASHER DIN 128-A8-FST | |
| 23-55 | 57440470000 | 001 | COUNTERS.SCR. DIN 7991-M8X40-8.8 | |
| 23-56 | 56456800000 | 001 | HEXAGON NUT DIN 934-M8-X5CRNI18-10 | |
| 23-57 | 60380800400 | 001 | THREADED ROD 18H | |
| | 60370300400 | 001 | THREADED ROD 18L | |
| 23-59 | 40220000201 | 004 | PROTECTIVE PLUG 12.2 KNURLED | |
| 23-60 | 60354300800 | 001 | SLIDING BAR | |
| 23-61 | 60354301000 | 001 | ADHESIVE FOIL | |
| 23-62 | 56739040000 | 004 | WASHER DIN 125-A 4,3-A2-70 | |
| 23-63 | 56400890000 | 004 | LOCKNUT DIN 985-M4-A2-70 | |
| 23-70 | 60380400800 | 001 | BEARING, BEHIND | |
| 23-71 | 60380400600 | 001 | BEARING, FRONT | |
| 23-72 | 57767050000 | 002 | SPR. LOCK WASHER DIN 128-A5-FST | |
| 23-74 | 57430160000 | 002 | HEXAGON SCREW DIN 933-M5X16-A2 | |
| 23-75 | 56972510000 | 002 | MUSHROOM HEAD SCREW M4X12-A2-70 | |
| 23-80 | 60354301500 | 001 | GUIDE SHAFT | |

Bitte unbedingt 11-stellige **Bestell-Nr.** angeben • Please always indicate 11 digit **Order No.** • Absolutement nécessaire d'indiquer **No. de commande** (11 chiffres) • Favorisca specificarci sempre il **N. di ordine** a 11 cifre • Es imprescindible que citen el **No. de pedido** (11 guarismos)

| | | | |
|------------------------------------|--|----------------|-----------------------|
| Series (code No.) 90.092 | Spare parts list No. 038.98.3.1005 | SE 12 D | Text page 5 |
|------------------------------------|--|----------------|-----------------------|

| Number in drawing | Order number | Piece | Designation | from status onwards |
|-------------------|--------------|-------|---------------------------------------|------------------------|
| 23-82 | 50001510000 | 003 | DISC SPRING DIN 151 11X6.2X0.3 | |
| 23-84 | 60353601700 | 001 | SHOCK ABSORBER | |
| 23-86 | 60380400900 | 001 | GUIDING SHAFT | |
| 23-90 | 60380501100 | 001 | STOP 18H | |
| | 60380401100 | 001 | STOP 18L | |
| 23-92 | 57630540000 | 002 | COUNTERS.SCR. DIN 963-M5X16-A2-70 | |
| 23-100 | 60380401200 | 001 | GUIDE PREASSEMBLED | |
| 23-100-82 | 60380401400 | 001 | GUIDE | |
| 23-100-83 | 50001170000 | 002 | BUSH MB 1415 | |
| 23-100-84 | 60380401600 | 001 | THREADED BOLT | |
| 23-100-85 | 56087080000 | 001 | STAR KNOB DIN 6335-K 50 M8 | |
| 23-100-87 | 60380401500 | 001 | ARM | |
| 23-100-88 | 57767060000 | 001 | SPR. LOCK WASHER DIN 126-A6-FST | |
| 23-100-89 | 56739060000 | 002 | WASHER DIN 125-A 6,4-A2-70 | |
| 23-100-90 | 57743440000 | 001 | SOCKET HEAD SCREW DIN 912-M6X25-A2-70 | |
| 23-100-94 | 60380401700 | 001 | SPRING BOLT | |
| 23-100-95 | 40110201104 | 001 | PRESSURE SPRING 0110201104 | |
| 23-100-97 | 56070470000 | 002 | SETSCREW DIN 926-M4X4X2,5 | |
| 23-100-99 | 40110102102 | 002 | BOLT 7X 1 | |
| 23-100-101 | 56395310000 | 001 | SHAFT SEAL INA G6X10X2 | |
| 23-100-102 | 56187740000 | 001 | PARALLEL PIN DIN 7-4M6X20-A2 | |
| 23-104 | 50275110000 | 001 | PRESSURE SPRING VD-124 | |
| 23-105 | 57753500000 | 002 | RETAINING WASHER DIN 6799-5-1.4122 | |
| 23-106 | 56739060000 | 001 | WASHER DIN 125-A 6,4-A2-70 | |
| 23-107 | 38002070000 | 001 | PULL ROD WELDED | |
| 23-108 | 56087170000 | 001 | MUSHR.-SH. HANDLE GN 76-21-M6-D | |
| 23-110 | 50001240000 | 001 | BUSH MB 0606 DU | |
| 23-120 | 60353800703 | 001 | GUARD PLATE +LEVER ALSO SE12D | |
| | 60380601100 | 001 | SLIDER GUARD+LEVELR SE 12 D GRIVORY | |
| 23-120-121 | 60353603301 | 001 | LEVER PREASSEMBLED | |
| 23-120-121-3 | 38006643000 | 002 | BUSH MB 1012 | |
| 23-120-121-4 | 50001160000 | 002 | BUSH MB 1215 | |
| 23-120-121-5 | 56337160000 | 001 | GROOVED PIN DIN 1474-5X16 A2-70 | |
| 23-120-121-6 | 60260206700 | 001 | STOP | |
| 23-120-121-7 | 57630630000 | 001 | COUNTERS.SCR. DIN 963-M6X16-A2-70 | |
| 23-120-121-8 | 60260206803 | 001 | BEARING BOLT | |
| 23-120-121-9 | 60353603500 | 001 | BUTTON | |
| 23-120-122 | 00110500002 | 001 | WASHER 6.2X0.5 | |
| 23-120-123 | 60260207003 | 001 | SWITCH LEVER | |
| 23-120-125 | 40182400005 | 001 | PRESSURE SPRING 0182400005 | |
| 23-120-126 | 60220003700 | 001 | STOP PIN | |
| 23-120-134 | 60353801703 | 001 | GUARD PLATE | |
| | 60380601200 | 001 | GUARD PLATE (GRIVORY) | |
| 23-120-136 | 60270201802 | 001 | WASHER WITH BOLT | |
| 23-120-141 | 60220401600 | 001 | LOCK WASHER | |
| 23-120-142 | 60260207100 | 001 | SHAFT | |
| 23-120-144 | 60220403800 | 001 | WASHER | |

Bitte unbedingt 11-stellige **Bestell-Nr.** angeben • Please always indicate 11 digit **Order No.** • Absolutement nécessaire d'indiquer **No. de commande** (11 chiffres) • Favorisca specificarci sempre il **N. di ordine** a 11 cifre • Es imprescindible que citen el **No. de pedido** (11 guarismos)

| | | | |
|-----------------------|----------------|--|------------------------------------|
| Text page 6 | SE 12 D | Spare parts list No. 038.98.3.1005 | Series (code No.) 90.092 |
|-----------------------|----------------|--|------------------------------------|

| Number in drawing | Order number | Piece | Designation | from status onwards |
|-------------------|--------------|-------|---------------------------------------|------------------------|
| 23-120-145 | 00110000074 | 003 | WASHER | |
| 23-120-146 | 50001690000 | 001 | DISC SPRING 21,8X12,3X0,25 | |
| 23-120-147 | 60260207200 | 001 | CUP DISK | |
| 23-120-148 | 56444800000 | 001 | HEXAGON NUT DIN 439-BM8-A2-70 | |
| 23-120-155 | 60260207301 | 001 | GEAR WHEEL | |
| 23-120-156 | 60260212500 | 001 | STOP | |
| 23-120-157 | 60260207502 | 001 | COVER | |
| 23-120-158 | 57451200000 | 001 | COUNTERS.SCR. DIN 965-M4X10-A2-70 | |
| 23-120-159 | 60353801201 | 001 | LEVER EXTENSION ASSEMBLED | |
| 23-120-159-2 | 57743740000 | 001 | SOCKET HEAD SCREW DIN 912-M8X50-A2-70 | |
| 23-120-159-3 | 56739080000 | 002 | WASHER DIN 125-A 8,4-A2-70 | |
| 23-120-159-4 | 60260212400 | 001 | STOP PIN | |
| 23-120-159-5 | 60353801402 | 001 | HANDLE | |
| 23-120-159-6 | 60220000802 | 001 | PROTECTIVE PLUG 27;2 KNURLED | |
| 23-120-160 | 60260211900 | 001 | THRUST WASHER | |
| 23-120-161 | 60260212300 | 001 | THRUST WASHER | |
| 23-120-162 | 60260207800 | 001 | DIVOT NUT | |
| 23-120-163 | 57750010000 | 001 | DISK SR1947 6,2 | |
| 23-120-164 | 56413060000 | 001 | HEXAGON CAP NUT DIN 917 M6 A2-70 | |
| 23-122 | 60220001100 | 002 | THRUST WASHER | |
| 23-124 | 60260212200 | 006 | WASHER | |
| 23-126 | 60353602300 | 001 | SHAFT | |
| 23-128 | 56322570000 | 001 | GROOVED TAPER P. DIN 1471-4X24-A2-70 | |
| 23-140 | 60364302600 | 001 | SUPPORTING PLATE COMPL. | |
| 23-148 | 60370401900 | 004 | SCREW | |
| 23-150 | 60370302100 | 001 | REAR WALL WIDE | |
| | 60370404400 | 001 | REAR WALL 4-HOLES SMALL CUS. SERV. | |
| 23-151 | 60370402001 | 001 | FOIL | |
| 23-152 | 56739050000 | 004 | WASHER DIN 125-A 5,3 -A2-70 | |
| 23-153 | 57767050000 | 004 | SPR. LOCK WASHER DIN 128-A5-FST | |
| 23-154 | 56444500000 | 004 | HEXAGON NUT DIN 439-BM5-A2-70 | |
| 23-161 | 60370402200 | 004 | PROTECTIVE PLUG | |
| 23-170 | 60370403500 | 001 | BAR | |
| 23-171 | 56972780000 | 002 | MUSHROOM HEAD SCREW M6X8-A2-70 | |
| 23-175 | 56046530000 | 001 | SETSCREW DIN 551-M10X35-A2-70 | |
| 23-177 | 60370203400 | 001 | SEALING | |
| 23-178 | 60370303700 | 001 | HANDHOLD 28X90 M10 | |
| 23-200 | 60380402400 | 001 | PROTECTIVE PLATE | |
| 23-300 | 56008200000 | 002 | SELF CLINCHING STUD FHS-M4-12-A2-70 | |
| 23-302 | 60274600400 | 001 | ROUND NUT | |
| 23-303 | 60274600500 | 001 | ROUND NUT | |
| 23-304 | 60370202400 | 001 | GUIDE BAR | |
| 23-320 | 60380402001 | 001 | PRODUCT FIXATION DEVICE ASSEMBLED | |
| 23-320-1 | 60380402101 | 001 | SLIDER | |
| 23-320-2 | 60380402301 | 001 | PRODUCT FIXATION DEVICE | |
| 23-320-5 | 60380402200 | 002 | SLIDE PIN | |
| 23-320-6 | 56836380000 | 002 | COUNTERS.SCR. DIN 966-M4X20-A2-70 | |
| 23-320-8 | 56047610000 | 001 | SETSCREW DIN 551-M6X8-PA | |
| 23-320-9 | 56777100000 | 002 | SEALING WASHER DIN 470-10-AL | |

Bitte unbedingt 11-stellige **Bestell-Nr.** angeben • Please always indicate 11 digit **Order No.** • Absolutement nécessaire d'indiquer **No. de commande** (11 chiffres) • Favorisca specificarci sempre il **N. di ordine** a 11 cifre • Es imprescindible que citen el **No. de pedido** (11 guarismos)

| | | | |
|------------------------------------|--|----------------|-----------------------|
| Series (code No.) 90.092 | Spare parts list No. 038.98.3.1005 | SE 12 D | Text page 7 |
|------------------------------------|--|----------------|-----------------------|

| Number in drawing | Order number | Piece | Designation | from status onwards |
|-------------------|--------------|-------|--|---------------------|
| 25 | | 001 | CARRIAGE 25 H (STANDARD) | |
| | | 001 | CARRIAGE 25 H (ALU RW) | |
| | | 001 | CARRIAGE 25 H (USA GRIVORY RW) | |
| 25-1 | 60370500201 | 001 | CARRIAGE FOOT 25H | |
| 25-4 | 56768100000 | 001 | WASHER DIN 125-A 13-PA66 | |
| 25-5 | 60800204600 | 001 | STAR KNOB WITH BOLT | |
| 25-5-1 | 56087070000 | 001 | STAR KNOB DIN 6335-K 63 M12-CUZN | |
| 25-5-2 | 60220400500 | 001 | THREADED BOLT | |
| 25-7 | 57753800000 | 001 | RETAINING WASHER DIN 6799-8-1.4122 | |
| 25-20 | 60381500200 | 001 | CARRIAGE PLATE (FOR ALU RW AND GRIVORY) | |
| | 60381800201 | 001 | CARRIAGE PLATE PRE-ASSEMBLED 25H (STANDARD) | |
| 25-21 | 57440490000 | 002 | COUNTERS.SCR. DIN 7991-M8X60-8.8 | |
| 25-23 | 57440460000 | 001 | COUNTERS.SCR. ISO 10642-M8X25-8.8 | |
| 25-25 | 60370500400 | 001 | THREADED ROD 25H | |
| 25-27 | 57440470000 | 001 | COUNTERS.SCR. DIN 7991-M8X40-8.8 | |
| 25-35 | 56765070000 | 001 | WASHER DIN 9021-8,4-A2-70 | |
| 25-36 | 57767080000 | 001 | SPR. LOCK WASHER DIN 128-A8-FST | |
| 25-37 | 56456800000 | 001 | HEXAGON NUT DIN 934-M8-X5CRNI18-10 | |
| 25-40 | 40220000201 | 004 | PROTECTIVE PLUG 12.2 KNURLED | |
| 25-60 | 60370400600 | 001 | PLASTIC BLOCK FOR BEARING | |
| 25-62 | 56972510000 | 002 | MUSHROOM HEAD SCREW M4X12-A2-70 | |
| 25-70 | 60370500601 | 001 | ARRESTER | |
| 25-72 | 57630440000 | 001 | COUNTERS.SCR. DIN 963-M4X12-A2-70 | |
| 25-80 | 60381800400 | 001 | GUIDE SHAFT | |
| 25-82 | 50001510000 | 003 | DISC SPRING DIN 151 11X6.2X0.3 | |
| 25-85 | 60370403400 | 001 | BUSHING | |
| 25-86 | 56327290000 | 001 | GROOVED PIN DIN EN 28745-4X8-A2-70 | |
| 25-100 | | 001 | SLIDER GUARD + LEVER (USA GRIVORY RW AND ALU RW) | |
| | 60370403101 | 001 | SLIDER GUARD DEVICE + LEVER (STANDARD) | |
| 25-100-1 | 60370401200 | 001 | LEVER, PREASSEMBLED | |
| 25-100-1-1 | 60370401401 | 001 | LEVER 25 DEGREE | |
| 25-100-1-5 | 50001170000 | 002 | BUSH MB 1415 | |
| 25-100-1-10 | 40300900005 | 002 | BOLT | |
| 25-100-1-11 | 60370402900 | 001 | BOLT | |
| 25-100-1-15 | 60370403300 | 001 | BOLT M 5 | |
| 25-100-1-20 | 60370403800 | 001 | PIN | |
| 25-100-1-25 | 56337160000 | 001 | GROOVED PIN DIN 1474-5X16 A2-70 | |
| 25-100-3 | 60370203203 | 001 | GUARD PLATE | |
| | 60370413200 | 001 | SLIDER PROTECTING DEVICE (GRIVORY) | |
| 25-100-5 | 60270201802 | 001 | WASHER WITH BOLT | |
| 25-100-7 | 60220401600 | 001 | LOCK WASHER | |
| 25-100-9 | 60220403800 | 001 | WASHER | |
| 25-100-11 | 60370403000 | 001 | BOLT | |
| 25-100-15 | 50001540000 | 001 | DISC SPRING 23,7X14,3X0,3 | |
| 25-100-17 | 60352302300 | 001 | THRUST WASHER | |
| 25-100-19 | 60370303700 | 001 | HANDHOLD 28X90 M10 | |

Bitte unbedingt 11-stellige **Bestell-Nr.** angeben • Please always indicate 11 digit **Order No.** • Absolument nécessaire d'indiquer **No. de commande** (11 chiffres) • Favorisca specificarci sempre il **N. di ordine** a 11 cifre • Es imprescindible que citen el **No. de pedido** (11 guarismos)

| | | | |
|-----------------------|----------------|--|------------------------------------|
| Text page 8 | SE 12 D | Spare parts list No. 038.98.3.1005 | Series (code No.) 90.092 |
|-----------------------|----------------|--|------------------------------------|

| Number in drawing | Order number | Piece | Designation | from status onwards |
|-------------------|--------------|-------|---|------------------------|
| 25-101 | 60370403200 | 001 | SLIDER PROTECT. DEVICE PRE-M. CUS.SERVICE | |
| 25-140 | 60381800504 | 001 | CARRIER | |
| 25-141 | 50002310000 | 001 | PROTECTIVE PLUG TL-4-044 | |
| 25-142 | 57630540000 | 003 | COUNTERS.SCR. DIN 963-M5X16-A2-70 | |
| 25-148 | 60370401900 | 004 | SCREW | |
| 25-150 | 60370404400 | 001 | REAR WALL 4-HOLES SMALL CUS.SERVICE | |
| | 60370404801 | 001 | REAR WALL 3HOLES SMALL 150 GRIVORY | |
| | 60370404600 | 001 | REAR WALL ALUMINIUM | |
| 25-152 | 56739050000 | 004 | WASHER DIN 125-A 5,3 -A2-70 | |
| 25-153 | 57767050000 | 004 | SPR. LOCK WASHER DIN 128-A5-FST | |
| 25-154 | 56444500000 | 004 | HEXAGON NUT DIN 439-BM5-A2-70 | |
| 25-161 | 60370402200 | 004 | PROTECTIVE PLUG (STANDARD) | |
| | 60370412201 | 003 | PROTECTING PLUG 14,2 MM (FOR GRIVORY) | |
| | 56777190000 | 003 | SEALING WASHER DIN 470-18-A2 (FOR ALU RW) | |
| 25-170 | 60370403500 | 001 | BAR | |
| 25-171 | 56972780000 | 002 | MUSHROOM HEAD SCREW M6X8-A2-70 | |
| 25-175 | 56046530000 | 001 | SETSCREW DIN 551-M10X35-A2-70 | |
| 25-177 | 60370203400 | 001 | SEALING | |
| 25-178 | 60370303700 | 001 | HANDHOLD 28X90 M10 | |
| 25-300 | 56008200000 | 002 | SELF CLINCHING STUD FHS-M4-12-A2-70 | |
| 25-302 | 60274600400 | 002 | ROUND NUT | |
| 25-304 | 60370202400 | 001 | GUIDE BAR | |
| 26 | | 001 | CARRIAGE ALU WELDED CAN 25H | |
| | | 001 | CARRIAGE ALU WELDED USA 25H | |
| 26-1 | 60370500201 | 001 | CARRIAGE FOOT 25H | |
| 26-4 | 56768100000 | 001 | WASHER DIN 125-A 13-PA66 | |
| 26-5 | 60800204600 | 001 | STAR KNOB WITH BOLT | |
| 26-5-1 | 56087070000 | 001 | STAR KNOB DIN 6335-K 63 M12-CUZN | |
| 26-5-2 | 60220400500 | 001 | THREADED BOLT | |
| 26-7 | 57753800000 | 001 | RETAINING WASHER DIN 6799-8-1.4122 | |
| 26-20 | 60381510100 | 001 | CARRIAGE PLATE WELD. CPL. | |
| 26-21 | 57440490000 | 002 | COUNTERS.SCR. DIN 7991-M8X60-8.8 | |
| 26-23 | 57440460000 | 001 | COUNTERS.SCR. ISO 10642-M8X25-8.8 | |
| 26-25 | 60370500400 | 001 | THREADED ROD 25H | |
| 26-27 | 57440470000 | 001 | COUNTERS.SCR. DIN 7991-M8X40-8.8 | |
| 26-35 | 56765070000 | 001 | WASHER DIN 9021-8,4-A2-70 | |
| 26-36 | 57767080000 | 001 | SPR. LOCK WASHER DIN 128-A8-FST | |
| 26-37 | 56456800000 | 001 | HEXAGON NUT DIN 934-M8-X5CRN118-10 | |
| 26-40 | 40220000201 | 004 | PROTECTIVE PLUG 12.2 KNURLED | |
| 26-60 | 60370400600 | 001 | PLASTIC BLOCK FOR BEARING | |
| 26-62 | 56972510000 | 002 | MUSHROOM HEAD SCREW M4X12-A2-70 | |
| 26-70 | 60370500601 | 001 | ARRESTER | |
| 26-72 | 57630440000 | 001 | COUNTERS.SCR. DIN 963-M4X12-A2-70 | |
| 26-80 | 60381800400 | 001 | GUIDE SHAFT | |
| 26-82 | 50001510000 | 003 | DISC SPRING DIN 151 11X6.2X0.3 | |
| 26-85 | 60370403400 | 001 | BUSHING | |
| 26-86 | 56327290000 | 001 | GROOCD PIN DIN EN 28745-4X8-A2-70 | |

Bitte unbedingt 11-stellige **Bestell-Nr.** angeben • Please always indicate 11 digit **Order No.** • Absolutement nécessaire d'indiquer **No. de commande**
(11 chiffres) • Favorisca specificarci sempre il **N. di ordine** a 11 cifre • Es imprescindible que citen el **No. de pedido** (11 guarismos)

| | | | |
|------------------------------------|--|----------------|-----------------------|
| Series (code No.) 90.092 | Spare parts list No. 038.98.3.1005 | SE 12 D | Text page 9 |
|------------------------------------|--|----------------|-----------------------|

| Number in drawing | Order number | Piece | Designation | from status onwards |
|-------------------|--------------|-------|---|------------------------|
| 26-140 | 60381800504 | 001 | CARRIER | |
| 26-141 | 50002310000 | 001 | PROTECTIVE PLUG TL-4-044 | |
| 26-142 | 57630540000 | 003 | COUNTERS.SCR. DIN 963-M5X16-A2-70 | |
| 26-170 | 60370403500 | 001 | BAR | |
| 26-171 | 56972780000 | 002 | MUSHROOM HEAD SCREW M6X8-A2-70 | |
| 26-175 | 56046530000 | 001 | SETSCREW DIN 551-M10X35-A2-70 | |
| 26-177 | 60370203400 | 001 | SEALING | |
| 26-178 | 60370303700 | 001 | HANDHOLD 28X90 M10 | |
| 26-300 | 56008200000 | 002 | SELF CLINCHING STUD FHS-M4-12-A2-70 | |
| 26-302 | 60274600400 | 002 | ROUND NUT | |
| 26-304 | 60370202400 | 001 | GUIDE BAR | |
| 26-320 | | 001 | SLIDER WITH RULER | |
| 26-320-5 | 60381802101 | 001 | RULER | |
| 26-320-10 | 60370502400 | 001 | SLIDER | |
| 26-320-15 | 56047810000 | 001 | SETSCREW DIN 551-M8X16-PA | |
| 26-320-20 | 57451590000 | 002 | COUNTERS.SCR. DIN 965-M5X40-A2-70 | |
| 26-320-25 | 56777100000 | 002 | SEALING WASHER DIN 470-10-AL | |
| 26-320-30 | 60380205800 | 001 | SLIDE PIN | |
| 26-325 | 60381800601 | 001 | SALAMI GUIDE | |
| 26-325-1 | 60381801000 | 001 | SLIDER | |
| 26-325-3 | 56047610000 | 001 | SETSCREW DIN 551-M6X8-PA | |
| 26-325-10 | 60381800701 | 001 | RULER, SOLDERED | |
| 26-325-12 | 60380402200 | 002 | SLIDE PIN | |
| 26-325-15 | 56070570000 | 001 | SETSCREW DIN 926-M6X7,5X11,5-A2-70 | |
| 26-325-16 | 56777100000 | 001 | SEALING WASHER DIN 470-10-AL | |
| 30 | | 001 | RETROFIT. SET ONE-PART 25□ ALU CARRIAGE | |
| 30-20 | 60371520100 | 001 | CARRUAGE PLATE WELD. CPL. REIBRUEHR | |
| 30-60 | 60370400600 | 001 | PLASTIC BLOCK FOR BEARING | |
| 30-62 | 56972510000 | 002 | MUSHROOM HEAD SCREW M4X12-A2-70 | |
| 30-70 | 60370500601 | 001 | ARRESTER | |
| 30-72 | 57630440000 | 001 | COUNTERS.SCR. DIN 963-M4X12-A2-70 | |
| 30-80 | 60381800400 | 001 | GUIDE SHAFT | |
| 30-82 | 50001510000 | 003 | DISC SPRING DIN 151 11X6.2X0.3 | |
| 30-85 | 60370403400 | 001 | BUSHING | |
| 30-86 | 56327290000 | 001 | GROOCD PIN DIN EN 28745-4X8-A2-70 | |
| 30-140 | 60381800504 | 001 | CARRIER | |
| 30-141 | 50002310000 | 001 | PROTECTIVE PLUG TL-4-044 | |
| 30-142 | 57630540000 | 003 | COUNTERS.SCR. DIN 963-M5X16-A2-70 | |
| 30-170 | 60370403500 | 001 | BAR | |
| 30-171 | 56972780000 | 002 | MUSHROOM HEAD SCREW M6X8-A2-70 | |
| 30-175 | 56046530000 | 001 | SETSCREW DIN 551-M10X35-A2-70 | |
| 30-177 | 60370203400 | 001 | SEALING | |
| 30-178 | 60370303700 | 001 | HANDHOLD 28X90 M10 | |
| 30-200 | 60274601000 | 002 | BOLT | |

| | | | |
|------------------------|----------------|--|------------------------------------|
| Text page 10 | SE 12 D | Spare parts list No. 038.98.3.1005 | Series (code No.) 90.092 |
|------------------------|----------------|--|------------------------------------|

| Number in drawing | Order number | Piece | Designation | from status onwards |
|-------------------|--------------|-------|---|------------------------|
| 31 | 60374605002 | 001 | RETROFITTING SET REAR WALL LEXAN TO ALU | |
| 31-20 | 60370405100 | 001 | REAR WALL | |
| 31-40 | 60370401900 | 004 | SCREW | |
| 31-50 | 56739050000 | 004 | WASHER DIN 125-A 5,3 -A2-70 | |
| 31-60 | 57767050000 | 004 | SPR. LOCK WASHER DIN 128-A5-FST | |
| 31-70 | 56444500000 | 004 | HEXAGON NUT DIN 439-BM5-A2-70 | |
| 31-80 | 56777190000 | 004 | SEALING WASHER DIN 470-18-A2 | |
| 40 | 60736200100 | 001 | ARMOURED MAINS CABLE AC EURO L = 2.5M | |
| 41 | 60476200102 | 001 | POWER LEAD CEKON CURVED CONNECTOR | |
| 43 | 40300057700 | 001 | POWER CONNECTING CABLE | |
| 44 | 40110047400 | 001 | POWER LEAD EXPORT, AUSTRALIA | |
| 45 | 60806200100 | 001 | MAINS CABLE 3-PH.CURRENT 4POL. CEE 2.5MM | |
| 46 | 40110047600 | 001 | POWER LEAD GB | |
| 49 | 60380315801 | 001 | RUBBER BUSH W. DRILL. HOLES | |
| 52 | | 001 | BLADE MOTOR CPL. A.C. 120V 60HZ W. THERMO | |
| | | 001 | BLADE MOTOR CPL. A.C. 230V 50HZ W. THERMO | |
| | | 001 | BLADE MOTOR CPL. A.C. 1.5/4-A40R | |
| | | 001 | BLADE MOTOR 3-PHASE CURRENT 230/400V 50HZ W. THERMO | |
| | | 001 | BLADE MOTOR 3-PHASE CURRENT 1.5/4-A40R | |
| | | 001 | BLADE MOTOR 3-PHASE CURRENT SRF 1.5/4-A40R | |
| 52-2 | 52022660000 | 001 | BLADE MOTOR A.C. 120V 60HZ W. THERMO | |
| | 52022640000 | 001 | BLADE MOTOR A.C. 230V 50HZ W. THERMO | |
| | 52022670000 | 001 | MOTOR A.C. 1.5/4-A40R | |
| | 52022610000 | 001 | MOTOR 3-PHASE CURRENT 230/400V 50HZ W. THERMO | |
| | 52022620000 | 001 | MOTOR 3-PHASE CURRENT 1.5/4-A40R | |
| | 52022630000 | 001 | MOTOR 3-PHASE CURRENT SRF 1.5/4-A40R | |
| 52-10 | 60370107201 | 001 | WASHER | |
| 52-11 | 57442160000 | 001 | COUNTERS.SCR. DIN 7991-M6X16-A2-70 | |
| 52-20 | 60220104602 | 001 | EXHAUST AIR HOOD, AT THE TOP | |
| 52-21 | 40220104701 | 001 | EXHAUST AIR HOOD, AT BOTTOM | |
| 52-22 | 56739040000 | 003 | WASHER DIN 125-A 4,3-A2-70 | |
| 52-23 | 56805410000 | 003 | OVAL-HEAD SCREW DIN 7985-M4X6-5.8 | |
| 60 | 71092230000 | 001 | CAPACITOR 5MF400V MP | |
| | 71092130000 | 001 | CAPACITOR 6 MF 400 VDB | |
| | 76090090000 | 001 | CAPACITOR 20 MF 220 VDB USA/CAN | |
| 63 (V) | 71401730000 | 002 | SHORT CIRCUIT BRACKET 3131 493000408 | |
| 66 | 60370113800 | 001 | HOLDING ANGLE PLATE | |
| 68 | 56818470000 | 001 | SELF-TAPP.SCREW DIN 7500-CM4X16-T20-ST | |
| 69 | 57758610000 | 001 | TOOTHED WASHER DIN 6797-A 4,3-FST | |
| 72 | 60266100600 | 001 | STRAND POWER PACK MODULE VS8 | |
| 73 | 60226101601 | 002 | STRAND K1-CB SE8 | |
| 75 | 60385201120 | 001 | LPB MAINS BOARD 120V SE12-D | |
| 75-414 | 71452470000 | 001 | FUSE ELEMENT 0.8 T UL NO. 19198 | |
| 75-417 | 71452190000 | 001 | G-FUSE CARTRIDGE 0,5 T UL NO 19198 | |
| 75-418 | 71452130000 | 001 | FUSE ELEMENT 0.4 T UL NO. 19198 | |

Bitte unbedingt 11-stellige **Bestell-Nr.** angeben • Please always indicate 11 digit **Order No.** • Absolutement nécessaire d'indiquer **No. de commande** (11 chiffres) • Favorisca specificarci sempre il **N. di ordine** a 11 cifre • Es imprescindible que citen el **No. de pedido** (11 guarismos)

| | | | |
|------------------------------------|--|----------------|------------------------|
| Series (code No.) 90.092 | Spare parts list No. 038.98.3.1005 | SE 12 D | Text page 11 |
|------------------------------------|--|----------------|------------------------|

| Number in drawing | Order number | Piece | Designation | from status onwards |
|-------------------|--------------|-------|---|---------------------|
| 90 | 60530101500 | 001 | BLADE 330 MM DIAMETER | |
| 100 | 60380102800 | 001 | GUARD RING PRE-MOUNT. 0 (WITH SLIDE PIN) | |
| | | 001 | GUARD RING PRE-MOUNT. 0 (WITHOUT SLIDE PIN) | |
| 100-1 | 60380102902 | 001 | GUARD RING 0 | |
| 100-2 | 60370107800 | 001 | PRODUCT SUPPORTER COMPL. | |
| 100-2-1 | 60370107900 | 001 | PRODUCT SUPPORTER | |
| 100-2-2 | 60540101700 | 001 | NUT | |
| 100-2-3 | 60540101800 | 001 | COVER | |
| 100-3 | 56972600000 | 001 | MUSHROOM HEAD SCREW M5X10-A2-70 | |
| 100-4 | 56032750000 | 001 | SETSCREW DIN 551-M4X75-14H | |
| 100-6 | 50373961000 | 001 | DISK MAGNET 10X6 N42 | |
| 100-7 | 60223506301 | 001 | COVER | |
| 100-9 | 60380402200 | 001 | SLIDE PIN | |
| 100-30 | 60274601000 | 003 | BOLT | |
| 101 | | 001 | GUARD RING PREASS. 18L, WITH SLIDE PIN | |
| | | 001 | GUARD RING PREASS. 18L, WITHOUT SLIDE PIN | |
| | | 001 | GUARD RING PREASS. 18H, WITH SLIDE PIN | |
| | | 001 | GUARD RING PREASS., 18H WITHOUT SLIDE PIN | |
| 101-1 | 60380103302 | 001 | GUARD RING 18L | |
| | 60380103901 | 001 | GUARD RING 18H | |
| 101-2 | 56032750000 | 001 | SETSCREW DIN 551-M4X75-14H | |
| 101-4 | 50373961000 | 001 | DISK MAGNET 10X6 N42 | |
| 101-5 | 60223506301 | 001 | COVER | |
| 101-9 | 60380402200 | 001 | SLIDE PIN | |
| 101-30 | 60274601000 | 003 | BOLT | |
| 102 | | 001 | GUARD RING PRE-MOUNTED 0, WITH MAGNET | |
| 102-1 | 60380170900 | 001 | BLADE GUARD RING 0 | |
| 102-3 | 56972600000 | 001 | MUSHROOM HEAD SCREW M5X10-A2-70 | |
| 102-4 | 56032750000 | 001 | SETSCREW DIN 551-M4X75-14H | |
| 102-6 | 50373961000 | 001 | DISK MAGNET 10X6 N42 | |
| 102-7 | 60223506301 | 001 | COVER | |
| 102-9 | | 001 | FASTENERS PRE-MOUNT. | |
| 102-9-1 | 60370161001 | 001 | DISTANCE PIECE | |
| 102-9-2 | 60370161100 | 001 | PIN | |
| 102-9-4 | 60370161900 | 001 | LOCKING HANDLE SMALL M5 PRE-ASSEMBLED | |
| 102-9-4-1 | 60370161500 | 001 | CLAMP HANDLE SMALL M 5 | |
| 102-9-4-2 | 60220402101 | 001 | COVER | |
| 102-10 | 57767040000 | 002 | SPR. LOCK WASHER DIN 128-A4-FST | |
| 102-11 | 57743080000 | 002 | SOCKET HEAD SCREW DIN 912-M4X16-A2-70 | |
| 102-12 | 60370161401 | 002 | DISTANCE BOLT | |
| 102-20 | 60370161300 | 002 | LOCATION BOLT | |

| | | | |
|------------------------|----------------|--|------------------------------------|
| Text page 12 | SE 12 D | Spare parts list No. 038.98.3.1005 | Series (code No.) 90.092 |
|------------------------|----------------|--|------------------------------------|

| Number in drawing | Order number | Piece | Designation | from status onwards |
|-------------------|---|-------------------|--|------------------------|
| 102-21 | 56083590000 56083980000 | 002 002 | THREADED PIN M6X12 SETSCREW DIN 916-M6X12-A2-70 | |
| 102-30 | 60274601000 | 004 | BOLT | |
| 103 | | 001 001 001 | BLADE GUARD RING PRE-MOUNTED 18H BLADE GUARD RING PRE-MOUNTED 18H GUARD RING PRE-MOUNTED 18L | |
| 103-1 | 60380160900 60380160901 60380180900 | 001 001 001 | BLADE GUARD RING 18H (FOR PROTECTIVE PLUG) BLADE GUARD RING 18H (FOR DISTANCE BOLT) GUARD RING 18L | |
| 103-2 | 56032750000 | 001 | SETSCREW DIN 551-M4X75-14H | |
| 103-4 | 50373961000 | 001 | DISK MAGNET 10X6 N42 | |
| 103-5 | 60223506301 | 001 | COVER | |
| 103-8 | | 001 | FASTENERS PRE-MOUNT. | |
| 103-8-1 | 60370161001 | 001 | DISTANCE PIECE | |
| 103-8-2 | 60370161100 | 001 | PIN | |
| 103-8-4 | 60370161900 | 001 | LOCKING HANDLE SMALL M5 PRE-ASSEMBLED | |
| 103-8-4-1 | 60370161500 | 001 | CLAMP HANDLE SMALL M 5 | |
| 103-8-4-2 | 60220402101 | 001 | COVER | |
| 103-10 | 57767040000 | 002 | SPR. LOCK WASHER DIN 128-A4-FST | |
| 103-11 | 57743080000 | 002 | SOCKET HEAD SCREW DIN 912-M4X16-A2-70 | |
| 103-12 | 60370161401 | 002 | DISTANCE BOLT | |
| 103-13 | 50828480000 | 002 | PROTECTIVE PLUG 11.12249 PE-LD | |
| 103-20 | 60370161300 | 002 | LOCATION BOLT | |
| 103-21 | 56064220000 56083590000 | 002 002 | SETSCREW DIN 553-M6X16-A2-70 THREADED PIN M6X12 | |
| 103-30 | 60274601000 | 004 | BOLT | |
| 110 | 60370115900 60370115800 60370116000 | 001 001 001 | GAUGE PLATE PRE-MOUNTED. 0 GAUGE PLATE MOUNTED 18L /25L GAUGE PLATE PRE-MOUNTED 18H/25H | |
| 110-3 | 56453380000 | 002 | THREADED INSERT STANDARD M10X15 | |
| 110-5 | 60370110801 | 002 | THREADED PIN | |
| 115 | 60544802701 | 001 | SPECIFICATION PLATE NEUTRAL | |
| 116 | 60374805100 60374805200 | 001 001 | PROTECTION FOIL PROTECTION FOIL | |
| 117 | 47509000401 | 001 | REFERENCE PLATE ENG | |
| 124 | 60384802300 | 001 | PLATE UNIVEX SE 12 D | |
| 125 | 60374801800 | 001 | PLATE UNIVEX | |

Bitte unbedingt 11-stellige **Bestell-Nr.** angeben • Please always indicate 11 digit **Order No.** • Absolutement nécessaire d'indiquer **No. de commande** (11 chiffres) • Favorisca specificarci sempre il **N. di ordine** a 11 cifre • Es imprescindible que citen el **No. de pedido** (11 guarismos)

| | | | |
|------------------------------------|--|----------------|------------------------|
| Series (code No.) 90.092 | Spare parts list No. 038.98.3.1005 | SE 12 D | Text page 13 |
|------------------------------------|--|----------------|------------------------|

| Number in drawing | Order number | Piece | Designation | from status onwards |
|-------------------|--------------|-------|---|---------------------|
| 128 | 60384810201 | 001 | ADHESIVE CIRCUIT DIAG. TURNABL. SE-12D/DSP | |
| | 60384820200 | 001 | ADHESIVE CIRCUIT DIAG. TURNABL. O.N. SE-12D/DSP | |
| | 60384841101 | 001 | ADHESIVE CIRCUIT TURNABL. SE-12D | |
| | 60384850100 | 001 | ADHESIVE CIRCUIT TURNABL. O.N. SE-12D | |
| | 60384850101 | 001 | ADHESIVE CIRCUIT TURNABL. O.N. SE-12D | |
| 130 | 60384800120 | 001 | ADHESIVE CIRCUIT DIAG. AC+MES SE-12D | |
| | 60384810101 | 001 | ADHESIVE CIRCUIT DIAG. AC SE-12D/DSP | |
| | 60384830100 | 001 | ADHESIVE CIRCUIT DIAG. AC SIKO SE-12D/DSP | |
| | 60384830101 | 001 | ADHESIVE CIRCUIT DIAG. SIKO SE-12D 120V | |
| | 60384830102 | 001 | ADHESIVE CIRCUIT DIAG. SIKO 120V/220V SE-12D | |
| | 60384840101 | 001 | ADHESIVE CIRCUIT AC SE-12D | |
| | 60384860100 | 001 | ADHESIVE CIRCUIT AC SIKO SE-12D | |
| 132 | 51975600000 | 001 | REFERENCE PLATE | |
| 133 | 60384802700 | 001 | IDENTIFICATION PLATE SE 12 D US | |
| 134 | 60544808100 | 001 | REFERENCE PLATE "DO NOT CLEAN WITH HOSE" | |
| 135 | 47501006101 | 001 | REFERENCE PLATE FRA MIN. INSTALLATION HIGHT | |
| 136 | 47509010400 | 001 | REFERENCE PLATE FRA | |
| 137 | 67501163700 | 001 | REFERENCE PLATE WARNING INSTRUCTIONS USA/CAN | |
| 138 | 71004310000 | 001 | CABLE TIE T 18 R (LENGTH = 100MM) | |
| 139 | 67501214700 | 001 | WARNING PLATE USA | |
| 140 | | 001 | ACCESSORIES | |
| 140-1 | 40220003400 | 001 | PROTECTIVE BAG | |
| 140-2 | 60220007800 | 001 | SERVICE OIL BY BIZERBA 30 ML | |
| 140-3 | 40950000176 | 001 | BRUSH WITH WIPER | |
| 140-4 | 50002840000 | 001 | POLISHING CLOTH | |
| 140-5 | 60220007500 | 001 | PAPER FELT | |
| 150 | 60384701000 | 001 | ACCESSORIES FOR ELEVATED INSTALLATION | |
| 150-1 | 60350005100 | 004 | DISTANCE COLLAR L52 | |
| 150-2 | 57743550000 | 002 | SOCKET HEAD SCREW DIN 912-M6X120-A2-70 | |
| 150-3 | 57743590000 | 002 | SOCKET HEAD SCREW DIN 912-M6X150-A2-70 | |
| 150-6 | 60350102100 | 004 | COVER PLATE | |
| 151 | 60380303600 | 004 | SHIM | |
| 153 | 60370115200 | 001 | BOLT NSF | |
| 155 | 56255060000 | 004 | ROUND-HEAD NAIL DIN 1476-3X6-AL | |
| 156 | 57744870000 | 007 | COVERING CAP RIBE SW5 | |
| 159 | 56255060000 | 002 | ROUND-HEAD NAIL DIN 1476-3X6-AL | |
| 160 | 60370600100 | 001 | SHARPENER COMPL. EURO | |
| | 60370800100 | 001 | SHARPENER COMPL. 18H 25H | |
| 160-1 | 60220600100 | 001 | SHARPENER PREASSEMBLED | |
| 160-1-7203 | 60220600202 | 001 | HOUSING | |
| 160-1-7210 | 60220600500 | 001 | SHAFT | |
| 160-1-7211 | 40110500001 | 001 | PRESSURE SPRING 0110500001 | |
| 160-1-7212 | 56755650000 | 001 | WASHER DIN 433-6,4-A2-70 | |
| 160-1-7213 | 57750400000 | 001 | RETAINING WASHER DIN 6799 4 | |
| 160-1-7214 | 60220600600 | 001 | BEARING BOLT | |
| 160-1-7215 | 40220600800 | 001 | HANDWHEEL | |

| | | | |
|------------------------|----------------|--|------------------------------------|
| Text page 14 | SE 12 D | Spare parts list No. 038.98.3.1005 | Series (code No.) 90.092 |
|------------------------|----------------|--|------------------------------------|

| Number in drawing | Order number | Piece | Designation | from status onwards |
|-------------------|--------------|-------|--------------------------------------|------------------------|
| 160-1-7216 | 56805720000 | 001 | OVAL-HEAD SCREW DIN 7985-M6X30-5.8 | |
| 160-1-7217 | 56739060000 | 001 | WASHER DIN 125-A 6,4-A2-70 | |
| 160-1-7218 | 60220602600 | 001 | SPACER BUSHING | |
| 160-1-7220 | 56400860000 | 001 | LOCKNUT DIN 985-M6-A2-70 | |
| 160-1-7221 | 60220600700 | 001 | SHAFT | |
| 160-1-7222 | 40220601000 | 001 | PRESSURE SPRING 0.8X 6.3 X19 | |
| 160-1-7223 | 40220601100 | 001 | WASHER | |
| 160-1-7224 | 57750400000 | 001 | RETAINING WASHER DIN 6799 4 | |
| 160-1-7230 | 40220601200 | 002 | LEAF SPRING | |
| 160-1-7231 | 60220600900 | 001 | COVER | |
| 160-1-7235 (V) | 40110500008 | 002 | WASHER 6.3 | |
| 160-1-7236 (V) | 60223401000 | 001 | SHARPENING DISK | |
| 160-1-7237 (V) | 60223401100 | 001 | HONING STONE | |
| 160-1-7238 | 56728640000 | 002 | WASHER DIN 125-A 6,4-AL | |
| 160-1-7239 | 56448600000 | 002 | HEXAGON NUT DIN 439-BM6-LH-AL | |
| 160-1-7240 | 60220602201 | 001 | COVER | |
| 160-1-7241 | 60220602301 | 001 | COVER | |
| 160-3 | 60370600201 | 001 | ADAPTER 0 18L | |
| | 60370800200 | 001 | ADAPTER USA 18H 25H | |
| 160-5 | 57463000000 | 005 | TAPPING SCREW DIN 7981-F3,5X16 Z1-ST | |
| 160-10 | 60370600302 | 001 | CLAMPING PIECE | |
| 160-12 | 56807410000 | 001 | OVAL-HEAD HEAD SC. 10 LONG M 6X40 | |
| 160-13 | 56728640000 | 002 | WASHER DIN 125-A 6,4-AL | |
| 160-15 | 56400860000 | 001 | LOCKNUT DIN 985-M6-A2-70 | |
| 160-16 | 60370600701 | 001 | STAR KNOB COMPL | |
| 160-17 | 60223400500 | 001 | CAP | |
| 160-50 | 60370600400 | 001 | STOP | |
| 160-51 | 60370600501 | 001 | NUT PLATE | |
| 160-52 | 56805680000 | 001 | OVAL-HEAD SCREW DIN 7985-M6X12-5.8 | |
| 160-54 | 56739060000 | 001 | WASHER DIN 125-A 6,4-A2-70 | |
| 170 | 60389850002 | 001 | OPERATING INSTRUCTIONS SE 12D GER | |
| 171 | 60389851002 | 001 | OPERATING INSTRUCTIONS SE 12D ENG | |
| 172 | 60389852002 | 001 | OPERATING INSTRUCTIONS SE 12D FRAN | |
| 173 | 60389853002 | 001 | OPERATING INSTRUCTIONS SE 12D ITA | |
| 174 | 60389854000 | 001 | OPERATING INSTRUCTIONS SE 12D ESP | |
| 175 | 60389856001 | 001 | OPERATING INSTRUCTIONS SE 12D DNK | |
| 176 | 60389857001 | 001 | OPERATING INSTRUCTIONS SE 12D PRT | |
| 188 | 71089580000 | 001 | GS-CHARACTER GR. 2 97014 SE12D | |
| 189 | 51908600000 | 001 | REFERENCE PLATE,FRA | |
| 200 | 47501149401 | 001 | WARNING LABEL MOVING CARRIAGE GER | |
| 201 | 47501145901 | 001 | WARNING LABEL MOVING CARRIAGE ENG | |
| 202 | 47501149301 | 001 | WARNING LABEL MOVING CARRIAGE FRANZ | |
| 203 | 47509040500 | 001 | WARNING LABEL MOVING CARRIAGE ITA | |
| 204 | 47509040600 | 001 | WARNING LABEL MOVING CARRIAGE ESP | |
| 205 | 47509040700 | 001 | WARNING LABEL MOVING CARRIAGE PORT | |
| 206 | 47509040800 | 001 | WARNING LABEL MOVING CARRIAGE DNK | |

Bitte unbedingt 11-stellige **Bestell-Nr.** angeben • Please always indicate 11 digit **Order No.** • Absolutement nécessaire d'indiquer **No. de commande**
(11 chiffres) • Favorisca specificarci sempre il **N. di ordine** a 11 cifre • Es imprescindible que citen el **No. de pedido** (11 guarismos)

| | | | |
|------------------------------------|--|----------------|------------------------|
| Series (code No.) 90.092 | Spare parts list No. 038.98.3.1005 | SE 12 D | Text page 15 |
|------------------------------------|--|----------------|------------------------|

| Number in drawing | Order number | Piece | Designation | from status onwards |
|-------------------|--------------|-------|--|------------------------|
| 207 | 47509040900 | 001 | WARNING LABEL MOVING CARRIAGE FLA | |
| 208 | 47509041000 | 001 | WARNING LABEL MOVING CARRIAGE SWE | |
| 209 | 47509041100 | 001 | WARNING LABEL MOVING CARRIAGE NDL | |
| 210 | 47509041200 | 001 | WARNING LABEL MOVING CARRIAGE RUSS | |
| 211 | 47509041300 | 001 | WARNING LABEL MOVING CARRIAGE GREEK | |
| 212 | 47509041400 | 001 | WARNING LABEL MOVING CARRIAGE CZECH | |
| 213 | 47509041500 | 001 | WARNING LABEL MOVING CARRIAGE HUN | |
| 214 | 47509041600 | 001 | WARNING LABEL MOVING CARRIAGE POL | |
| 215 | 47509041700 | 001 | WARNING LABEL MOVING CARRIAGE SERBOCROAT | |
| 220 | 47509050500 | 001 | WARNING LABEL SHARPENING GER | |
| 221 | 47509050600 | 001 | WARNING LABEL SHARPENING ENG | |
| 222 | 47509050700 | 001 | WARNING LABEL SHARPENING FRA | |
| 223 | 47509050800 | 001 | WARNING LABEL SHARPENING ITA | |
| 224 | 47509050900 | 001 | WARNING LABEL SHARPENING ESP | |
| 225 | 47509051000 | 001 | WARNING LABEL SHARPENING PORT | |
| 226 | 47509051100 | 001 | WARNING LABEL SHARPENING DNK | |
| 227 | 47509051200 | 001 | WARNING LABEL SHARPENING FLA | |
| 228 | 47509051300 | 001 | WARNING LABEL SHARPENING SWE | |
| 229 | 47509051400 | 001 | WARNING LABEL SHARPENING NDL | |
| 230 | 47509051500 | 001 | WARNING LABEL SHARPENING RUSS | |
| 231 | 47509051600 | 001 | WARNING LABEL SHARPENING GREEK | |
| 232 | 47509051700 | 001 | WARNING LABEL SHARPENING CZECH | |
| 233 | 47509051800 | 001 | WARNING LABEL SHARPENING HUN | |
| 234 | 47509051900 | 001 | WARNING LABEL SHARPENING POL | |
| 235 | 47509052000 | 001 | WARNING LABEL SHARPENING SERBOCROAT | |
| 240 | 47509000301 | 001 | REFERENCE PLATE GER | |
| 241 | 47509000401 | 001 | REFERENCE PLATE ENG | |
| 242 | 47509000501 | 001 | REFERENCE PLATE FRA | |
| 243 | 47509000601 | 001 | REFERENCE PLATE ESP | |
| 244 | 47509000701 | 001 | REFERENCE PLATE ITA | |
| 245 | 47509001301 | 001 | REFERENCE PLATE DNK | |
| 246 | 47509010201 | 001 | REFERENCE PLATE PORT | |
| 247 | 47509010301 | 001 | REFERENCE PLATE FLEM | |
| 248 | 47509020500 | 001 | REFERENCE PLATE SWE | |
| 249 | 47509020600 | 001 | REFERENCE PLATE NDL | |
| 250 | 47509020700 | 001 | REFERENCE PLATE RUSS | |
| 251 | 47509020800 | 001 | REFERENCE PLATE GREE | |
| 252 | 47509020900 | 001 | REFERENCE PLATE SERBOCROAT | |
| 253 | 47509021000 | 001 | REFERENCE PLATE CZECH | |
| 254 | 47509021100 | 001 | REFERENCE PLATE HUN | |
| 255 | 47509021200 | 001 | REFERENCE PLATE POL | |
| 270 | 60804801200 | 001 | REFERENCE PLATE SHARP+LUBE | |
| 307 | 60384802400 | 001 | INSTRUCTIONS SE12/D | |
| 311 | 71179090000 | 001 | REDUCTION H PG 9-PG 7 DIN 46320 | |
| 312 | 71066090000 | 001 | LOCKING N PG 9 DIN 46320 | |

| | | | |
|------------------------|----------------|--|------------------------------------|
| Text page 16 | SE 12 D | Spare parts list No. 038.98.3.1005 | Series (code No.) 90.092 |
|------------------------|----------------|--|------------------------------------|

| Number in drawing | Order number | Piece | Designation | from status onwards |
|-------------------|--------------|-------|--|------------------------|
| 353 | 60354301703 | 001 | REMNANT HOLDER PRE-MOUN. (ULTRAS. SUPPO. PIN 3MM) | |
| 353-2 | 60220405901 | 001 | THREATED BOLT | |
| 353-3 | 60220405801 | 001 | PAN HEAD SCREW M 4X12,5 | |
| 353-5 | 60220402001 | 001 | CLAMP HANDLE, SMALL | |
| 353-6 | 60220402101 | 001 | COVER | |
| 353-7 | 40110201403 | 001 | SUPPORTING PIN (3 MM) | |
| 354 | 60364301703 | 001 | REMNANT HOLDER COMPL. (ULTRAS. SUPPO. PIN 6MM) | |
| 354-7 | 60364301800 | 001 | SUPPORTING PIN (6MM) | |
| 355 | 60370411700 | 001 | REMNANT HOLDER PRE-MOUNT. (GRIVORY, SUPP. PIN 3MM) | |
| 356 | 60380411700 | 001 | REMNANT HOLDER PRE-MOUNT. (GRIVORY, SUPP. PIN 6MM) | |
| 365 | 60220406801 | 001 | CLAMP HANDLE, COMPL. | |
| 370 | 60370502800 | 001 | TOMATO GUIDE REMN. HOLD.PLATE | |
| 370-1 | 60370502900 | 001 | REMNANT HOLDER PLATE | |
| 370-3 | 60370503000 | 002 | FIXING BOLT | |
| 370-5 | 60220405901 | 001 | THREATED BOLT | |
| 370-7 | 60220405801 | 001 | PAN HEAD SCREW M 4X12,5 | |
| 370-11 | 60220402001 | 001 | CLAMP HANDLE, SMALL | |
| 370-13 | 60220402101 | 001 | COVER | |
| 372 | 60374600300 | 001 | TOMATO GUIDE (PER SET=2) | |
| 372-3 | 60370502600 | 002 | SLIDER WITH RULER | |
| 372-3-1 | 60370502400 | 001 | SLIDER | |
| 372-3-3 | 60370502300 | 001 | RULER | |
| 372-3-5 | 60380205800 | 001 | SLIDE PIN | |
| 372-3-7 | 57451590000 | 002 | COUNTERS.SCR. DIN 965-M5X40-A2-70 | |
| 372-3-9 | 56777100000 | 002 | SEALING WASHER DIN 470-10-AL | |
| 372-3-11 | 56047810000 | 001 | SETSCREW DIN 551-M8X16-PA | |
| 372-5 | 60381801400 | 001 | THREADED BOLT | |
| 375 | | 001 | RULER CPL. | |
| 375-10 | 60370502400 | 001 | SLIDER | |
| 375-15 | 56047810000 | 001 | SETSCREW DIN 551-M8X16-PA | |
| 375-20 | 57451590000 | 002 | COUNTERS.SCR. DIN 965-M5X40-A2-70 | |
| 375-25 | 56777100000 | 002 | SEALING WASHER DIN 470-10-AL | |
| 375-30 | 60381802400 | 001 | SLIDING BOLT | |
| 390 | 60374600400 | 001 | RETROFIT.KIT PROD.FIX. | |
| 390-3 | 56008200000 | 002 | SELF CLINCHING STUD FHS-M4-12-A2-70 | |
| 390-5 | 60370202400 | 001 | GUIDE BAR | |
| 390-7 | 60274600400 | 002 | ROUND NUT | |
| 395 | 60374601200 | 001 | VEGETABLE CHUTE AND PUSHER | |
| 395-1 | 60370503300 | 001 | VEGETABLE CHUTE | |
| 395-1-1 | 60370503400 | 001 | TUBE WELDED | |
| 395-1-3 | 60370502500 | 001 | PIN | |
| 395-1-5 | 29774530000 | 000 | ADHESIVE TAPE NO.959 GR 80BR.X0.3 | |
| 395-1-7 | 60370502700 | 001 | STAR KNOB (VEG CHUTE) | |

Bitte unbedingt 11-stellige **Bestell-Nr.** angeben • Please always indicate 11 digit **Order No.** • Absolutement nécessaire d'indiquer **No. de commande** (11 chiffres) • Favorisca specificarci sempre il **N. di ordine** a 11 cifre • Es imprescindible que citen el **No. de pedido** (11 guarismos)

| | | | |
|------------------------------------|--|----------------|------------------------|
| Series (code No.) 90.092 | Spare parts list No. 038.98.3.1005 | SE 12 D | Text page 17 |
|------------------------------------|--|----------------|------------------------|

| Number in drawing | Order number | Piece | Designation | from status onwards |
|-------------------|--------------|-------|--|---------------------|
| 395-3 | 60370501800 | 001 | PUSHER | |
| 395-3-1 | 60370501900 | 001 | WASHER | |
| 395-3-3 | 60370502000 | 001 | THREADED ROD | |
| 395-3-5 | 56086270000 | 001 | BALL KNOB DIN 319-C 32 M8 | |
| 400 | | 001 | BASIC PARTS STANDARD | |
| 400-1 | 60380100204 | 001 | MACHINE HOUSING | |
| 400-2 | 60370103001 | 001 | COLLET 3 | |
| 400-3 | 57442170000 | 001 | COUNTERS.SCR. DIN 7991-M6X20-A2-70 | |
| 400-6 | 56083390000 | 002 | SETSCREW DIN 913-M4X16-A2-70 | |
| 400-7 | 56032250000 | 004 | SETSCREW DIN 551-M4X25-14H | |
| 400-11 | 57345200000 | 002 | HEXAGON SCREW DIN 933-M5X20-8.8 | |
| 400-12 | 56739050000 | 002 | WASHER DIN 125-A 5,3 -A2-70 | |
| 400-13 | 57758500000 | 002 | TOOTHED WASHER DIN 6797-A 5,3-FST | |
| 400-14 | 60370103200 | 001 | SEALING | |
| 400-20 | 60370103301 | 001 | BLADE BEARING, PRE-M. SE12 (UP TO DEVICE-NO. 10498129) | |
| 400-20-1 | 60370112600 | 001 | HOUSING | |
| 400-20-2 | 56362680000 | 002 | GROOVED BALL BEARING DIN 625 6006-2R | |
| 400-20-3 | 60370103901 | 001 | SPACER RING | |
| 400-20-4 | 50282370000 | 002 | DISC SPRING 54,5X40,5X0,45 | |
| 400-20-5 | 60370103601 | 001 | MOUNTING RING | |
| 400-20-6 | 57442080000 | 004 | COUNTERS.SCR. DIN 7991-M4X12-A2-70 | |
| 400-20-7 | 60370103801 | 001 | BLADE SHAFT | |
| 400-20-8 | 50005050000 | 001 | BUSH 18,2X20X15 | |
| 400-20-9 | 50003190000 | 001 | SHAFT SEAL B1SL 18X30X7-NBR/NIRO | |
| 400-20-11 | 60370104200 | 001 | SEALING RING | |
| 400-21 | | 001 | BLADE BEARING PRE-MOUNTED (FROM DEVICE-NO. 10498130) | |
| 400-21-1 | 60370112600 | 001 | HOUSING | |
| 400-21-2 | 56362680000 | 002 | GROOVED BALL BEARING DIN 625 6006-2R | |
| 400-21-3 | 60370103901 | 001 | SPACER RING | |
| 400-21-4 | 50282370000 | 002 | DISC SPRING 54,5X40,5X0,45 | |
| 400-21-5 | 60370103601 | 001 | MOUNTING RING | |
| 400-21-6 | 57442080000 | 004 | COUNTERS.SCR. DIN 7991-M4X12-A2-70 | |
| 400-21-7 | 60370161700 | 001 | CUTTER SPINDLE | |
| 400-21-8 | 38002106000 | 001 | SHORING BOLT | |
| 400-21-11 | 60370104200 | 001 | SEALING RING | |
| 400-24 | 57743440000 | 004 | SOCKET HEAD SCREW DIN 912-M6X25-A2-70 | |
| 400-25 | 57767060000 | 004 | SPR. LOCK WASHER DIN 126-A6-FST | |
| 400-26 | 56739060000 | 004 | WASHER DIN 125-A 6,4-A2-70 | |
| 400-28 | 60370104100 | 001 | BELT PULLEY | |
| 400-29 | 60370104301 | 001 | HEXAGONAL NUT | |
| 400-31 | 60370104700 | 001 | SPACER SLEEVE, LONG | |
| 400-32 | 56765050000 | 001 | WASHER DIN 9021-5,3-A2-70 | |
| 400-33 | 57767040000 | 001 | SPR. LOCK WASHER DIN 128-A4-FST | |
| 400-34 | 56456400000 | 001 | HEXAGON NUT DIN 934-M4-A2-70 | |
| 400-36 | 60370104800 | 001 | SPASER SLEEVE, SHORT | |
| 400-37 | 56765050000 | 001 | WASHER DIN 9021-5,3-A2-70 | |
| 400-38 | 57767040000 | 001 | SPR. LOCK WASHER DIN 128-A4-FST | |
| 400-39 | 57429350000 | 001 | HEXAGON SCREW DIN 933-M4X35-A2-70 | |
| 400-40 | 60370104900 | 002 | SEALING | |
| 400-59 | 60180300028 | 001 | BOLT 8X5 | |

Bitte unbedingt 11-stellige **Bestell-Nr.** angeben • Please always indicate 11 digit **Order No.** • Absolutement nécessaire d'indiquer **No. de commande** (11 chiffres) • Favorisca specificarci sempre il **N. di ordine** a 11 cifre • Es imprescindible que citen el **No. de pedido** (11 guarismos)

| | | | |
|------------------------|----------------|--|------------------------------------|
| Text page 18 | SE 12 D | Spare parts list No. 038.98.3.1005 | Series (code No.) 90.092 |
|------------------------|----------------|--|------------------------------------|

| Number in drawing | Order number | Piece | Designation | from status onwards |
|-------------------|--------------|-------|--|------------------------|
| 400-60 | 60380100301 | 001 | CARRIAGE GUIDE COMPL. (FOR DEV. WITH SWITCH. MAN/AUTO) | |
| 400-60-1 | 60380100403 | 001 | CARRIAGE GUIDE PRE-ASSEMBLED | |
| 400-60-1-1 | 60380100603 | 001 | CARRIAGE GUIDE | |
| 400-60-1-2 | 60370100700 | 001 | ROLLER MOUNTING, PREASSEMBLED | |
| 400-60-1-2-1 | 60370100801 | 001 | ROLLER BEARING | |
| 400-60-1-2-2 | 60370100900 | 001 | BEARING BOLT | |
| 400-60-1-2-3 (V) | 40220102500 | 001 | BALL BEARING | |
| 400-60-1-2-4 | 57750800000 | 001 | RETAINING WASHER DIN 6799 8 | |
| 400-60-1-2-5 | 50383650000 | 001 | BUFFER WITH PIN F.NR.3184 | |
| 400-60-1-5 (V) | 60540271900 | 001 | MAGNET VACODYM370WZ, ROUND 10X4 | |
| 400-60-1-7 | 57737250001 | 001 | CHEESE-HEAD SCREW M 8X25 | |
| 400-60-1-8 | 56739080000 | 001 | WASHER DIN 125-A 8,4-A2-70 | |
| 400-60-1-9 | 57767080000 | 001 | SPR. LOCK WASHER DIN 128-A8-FST | |
| 400-60-1-10 | 60530300066 | 002 | FELT RING 25.5 | |
| 400-60-1-11 | 60530300067 | 002 | WASHER 26 | |
| 400-60-1-12 | 50001020000 | 002 | BUSH 2530 DU 25X28X30 | |
| 400-60-1-16 | 57432200000 | 001 | HEXAGON SCREW DIN 933-M8X20-A2-70 | |
| | 60370115200 | 001 | BOLT NSF | |
| 400-60-1-21 | 56980720000 | 001 | OVAL-HEAD SCREW DIN 923-M5X4-5.8 | |
| 400-60-1-22 | 56453290000 | 001 | THREADED INSERT HELI-COIL M12X9 | |
| 400-60-1-23 | 56044800000 | 001 | SETSCREW DIN 551-M8X35-MS | |
| 400-60-1-24 | 56456800000 | 001 | HEXAGON NUT DIN 934-M8-X5CRNI18-10 | |
| 400-60-1-30 | 60370112800 | 001 | FELT STRIP | |
| 400-60-1-32 | 60370102301 | 001 | COVER | |
| 400-60-1-33 | 56818430000 | 002 | SELF-TAPP.SCREW DIN 7500-CM4X8-T20-ST | |
| 400-60-1-40 | 60380107102 | 001 | CLAMPING LEVER PREASSEMBLED | |
| 400-60-1-40-1 | 60380106001 | 001 | CLAMPING LEVER | |
| 400-60-1-40-2 | 60380106400 | 001 | SHAFT | |
| 400-60-1-40-3 | 57753400000 | 002 | RETAINING WASHER DIN 6799-4-1.4122 | |
| 400-60-1-41 | 60380105700 | 001 | THREADED ROD | |
| 400-60-1-42 | 56739050000 | 002 | WASHER DIN 125-A 5,3 -A2-70 | |
| 400-60-1-43 | 56400850000 | 002 | LOCKNUT DIN 985-M5-A2-70 | |
| 400-60-1-44 | 60380106101 | 001 | LOCKING DEVICE COMPL. | |
| 400-60-1-45 | 56980530000 | 002 | OVAL-HEAD SCREW DIN 923-M4X3,2-5.8 | |
| 400-60-1-47 | 60380106600 | 001 | ANGLE PLATE PREASSEMBLED | |
| 400-60-1-48 | 56818440000 | 002 | SELF-TAPP.SCREW DIN 7500-CM4X12-T20-ST | |
| 400-60-1-49 | 56739040000 | 002 | WASHER DIN 125-A 4,3-A2-70 | |
| 400-60-1-50 | 50275070000 | 001 | PRESSURE SPRING D-143L | |
| 400-60-1-52 | 60370102901 | 001 | INSERT | |
| 400-60-1-53 | 60370102801 | 001 | STOP | |
| 400-60-1-54 | 60370102700 | 001 | TORSION SPRING | |
| 400-60-1-56 | 57347160000 | 002 | HEXAGON SCREW DIN 933-M6X16-8.8 | |
| 400-60-1-58 | 57767060000 | 002 | SPR. LOCK WASHER DIN 126-A6-FST | |
| 400-60-5 | 60370102001 | 001 | CARRIAGE SHAFT, PREASSEMBLED | |
| 400-60-5-1 | 60370102102 | 001 | CARRIAGE SHAFT | |
| 400-60-5-2 | 60370102600 | 001 | STOP RING | |
| 400-60-5-5 | 60370113200 | 001 | LEVER, PREASSEMBLED | |

Bitte unbedingt 11-stellige **Bestell-Nr.** angeben • Please always indicate 11 digit **Order No.** • Absolutement nécessaire d'indiquer **No. de commande** (11 chiffres) • Favorisca specificarci sempre il **N. di ordine** a 11 cifre • Es imprescindible que citen el **No. de pedido** (11 guarismos)

| | | | |
|------------------------------------|--|----------------|------------------------|
| Series (code No.) 90.092 | Spare parts list No. 038.98.3.1005 | SE 12 D | Text page 19 |
|------------------------------------|--|----------------|------------------------|

| Number in drawing | Order number | Piece | Designation | from status onwards |
|-------------------|--------------|-------|---------------------------------------|------------------------|
| 400-60-6 | 60370102400 | 001 | SHOCK ABSORBER | |
| 400-60-7 | 60370102500 | 001 | SHOCK ABSORBER SLEEVE | |
| 400-60-8 | 60370107000 | 001 | BUFFER DISK | |
| 400-61 | 50275150000 | 001 | PRESSURE SPRING D-180T | |
| 400-62 | 60370101900 | 002 | SCREW | |
| 400-64 | 56777190000 | 002 | SEALING WASHER DIN 470-18-A2 | |
| 400-85 | 50009811000 | 001 | V-RIBBED BELT PJ10-406 | |
| 400-86 | 40110000099 | 002 | WASHER | |
| 400-87 | 56765060000 | 002 | WASHER DIN 9021-6,4-A2-70 | |
| 400-88 | 57736450000 | 002 | CHEESE-HEAD SCREW M 6X45 | |
| 400-89 | 57767060000 | 002 | SPR. LOCK WASHER DIN 126-A6-FST | |
| 400-90 | 60370107301 | 001 | SPACER PREASS. | |
| 400-91 | 60370107502 | 001 | SPACER | |
| 400-92 | 60370104401 | 001 | BLADE SHAFT | |
| 400-93 | 60370118201 | 001 | HEXAGON NUT | |
| 400-94 | 60370109600 | 001 | BRAKE PULLEY | |
| 400-95 | 60220200601 | 001 | WASHER | |
| 400-96 | 57767060000 | 001 | SPR. LOCK WASHER DIN 126-A6-FST | |
| 400-97 | 60370109701 | 001 | CLAMPING NUT | |
| 400-100 | 60370107100 | 001 | GUIDE RAIL | |
| 400-101 | 56338240000 | 001 | GROOVED PIN DIN 1474-6X24 A2-70 | |
| 400-102 | 57743440000 | 002 | SOCKET HEAD SCREW DIN 912-M6X25-A2-70 | |
| 400-103 | 57767060000 | 002 | SPR. LOCK WASHER DIN 126-A6-FST | |
| 400-115 | 60370119000 | 001 | SERIAL CONNECTION ELEMENT COMPL. | |
| 400-198 | 56269330000 | 001 | ROUND-HEAD NAIL DIN 1476-3X6-PC | |
| 400-200 | 60370105601 | 001 | PLASTIC WHEEL | |
| 400-202 | 60370105700 | 001 | ROTARY KNOB SHAFT | |
| 400-204 | 56739050000 | 001 | WASHER DIN 125-A 5,3 -A2-70 | |
| 400-206 | 57767050000 | 001 | SPR. LOCK WASHER DIN 128-A5-FST | |
| 400-208 | 57747210000 | 001 | SOCKET HEAD SCREW DIN 7984-M5X12-8.8 | |
| 400-210 | 60370105801 | 001 | WASHER | |
| 400-211 | 40110201009 | 001 | WASHER | |
| 400-214 | 00110000095 | 002 | DISK SPRING | |
| 400-215 | 57920040000 | 001 | ADJUSTING RING DIN 705-A18-ST | |
| 400-220 | 60270101300 | 001 | CHART SEALING RING | |
| 400-221 | 57775550000 | 001 | RETAINING RING DIN 472-55X2 | |
| 400-222 | 60370119401 | 001 | ROTARY KNOB COMPL. | |
| 400-222-1 | 60223501702 | 001 | SCALE | |
| 400-222-3 | 60370119501 | 001 | ROTARY KNOB | |
| 400-222-5 | 57464230000 | 002 | PLASTIC SCREW WN1451-K40X16-T20-10.9 | |
| 400-224 | 56922570000 | 001 | RAISED COUN. SCREW DIN 964-M5X25-A2 | |
| 400-240 | 60380101701 | 001 | BEARING BRACKET, PRE-MOUNTED | |
| 400-240-1 | 60371101600 | 001 | BEARING ARM | |
| 400-240-10 | 57736300000 | 002 | SOCKET HEAD SCREW DIN 912-M6X30-8.8 | |
| 400-240-12 | 56400860000 | 002 | LOCKNUT DIN 985-M6-A2-70 | |
| 400-240-20 | 50001190000 | 002 | BUSH MB 1815 DU | |
| 400-240-22 | 60370111500 | 001 | LEVER, PRE-ASSEMBLED | |
| 400-240-22-1 | 60370111600 | 001 | ARM | |
| 400-240-22-5 | 56150360000 | 001 | PARALLEL PIN DIN 28734-8M6X26-ST | |
| 400-240-23 | 56337160000 | 001 | GROOVED PIN DIN 1474-5X16 A2-70 | |
| 400-240-24 | 57736200000 | 001 | SOCKET HEAD SCREW DIN 912-M6X20-8.8 | |

Bitte unbedingt 11-stellige **Bestell-Nr.** angeben • Please always indicate 11 digit **Order No.** • Absolutement nécessaire d'indiquer **No. de commande** (11 chiffres) • Favorisca specificarci sempre il **N. di ordine** a 11 cifre • Es imprescindible que citen el **No. de pedido** (11 guarismos)

| | | | |
|------------------------|----------------|--|------------------------------------|
| Text page 20 | SE 12 D | Spare parts list No. 038.98.3.1005 | Series (code No.) 90.092 |
|------------------------|----------------|--|------------------------------------|

| Number in drawing | Order number | Piece | Designation | from status onwards |
|-------------------|--------------|-------|--|------------------------|
| 400-240-26 | 57767060000 | 001 | SPR. LOCK WASHER DIN 126-A6-FST | |
| 400-240-27 | 56739060000 | 001 | WASHER DIN 125-A 6,4-A2-70 | |
| 400-240-30 | 60220110100 | 002 | THREADED PIN | |
| 400-240-32 | 56083970000 | 002 | SETSCREW DIN 916-M6X8-45H | |
| 400-240-40 | 60370105900 | 001 | SHAFT | |
| 400-240-50 | 60370106201 | 001 | WASHER | |
| 400-240-52 | 56818470000 | 002 | SELF-TAPP.SCREW DIN 7500-CM4X16-T20-ST | |
| 400-240-54 | 56739040000 | 002 | WASHER DIN 125-A 4,3-A2-70 | |
| 400-240-56 | 57767040000 | 002 | SPR. LOCK WASHER DIN 128-A4-FST | |
| 400-242 | 56083380000 | 001 | THREADED PIN M 10X50 | |
| 400-244 | 56444820000 | 002 | HEXAGON NUT DIN 439-BM10-A2-70 | |
| 400-246 | 57743430000 | 001 | SOCKET HEAD SCREW DIN 912-M6X20-A2-70 | |
| 400-248 | 57767060000 | 001 | SPR. LOCK WASHER DIN 126-A6-FST | |
| 400-280 | 60370106100 | 001 | SUPPORTING RAIL | |
| 400-281 | 60370115300 | 001 | SPACER | |
| 400-282 | 57736200000 | 001 | SOCKET HEAD SCREW DIN 912-M6X20-8.8 | |
| 400-283 | 56083180000 | 001 | SETSCREW DIN 913-M6X35-A2-70 | |
| 400-284 | 57767060000 | 002 | SPR. LOCK WASHER DIN 126-A6-FST | |
| 400-285 | 56456600000 | 002 | HEXAGON NUT DIN 934-M6-A2-70 | |
| 400-290 | 56805380000 | 002 | OVAL-HEAD SCREW DIN 7985-M3X20-4.8 | |
| 400-291 | 56739030000 | 002 | WASHER DIN 125-A 3,2-A2-70 | |
| 400-292 | 57767030000 | 002 | SPR. LOCK WASHER DIN 128-A3-FST | |
| 400-293 | 60380101500 | 001 | NUT PLATE | |
| 400-311 | 56739100000 | 002 | WASHER DIN 125-A 10,5-A2-70 | |
| 400-312 | 57767100000 | 002 | SPR. LOCK WASHER DIN 128-A10-FST | |
| 400-314 | 56456820000 | 002 | HEXAGON NUT DIN 934-M10-A2-70 | |
| 400-330 | 60370106300 | 001 | SEALING GAUGE PLATE | |
| 400-350 | 60384102100 | 001 | SENSOR SUPPORT | |
| 400-351 | 60380315100 | 001 | NUT PLATE | |
| 400-352 | 56805410000 | 002 | OVAL-HEAD SCREW DIN 7985-M4X6-5.8 | |
| 400-353 | 56739040000 | 002 | WASHER DIN 125-A 4,3-A2-70 | |
| 400-360 | 60370106401 | 001 | ANGLE | |
| 400-361 | 60370106501 | 001 | ANGLE | |
| 400-362 | 57736160000 | 004 | SOCKET HEAD SCREW DIN 912-M6X16-8.8 | |
| 400-363 | 56739060000 | 004 | WASHER DIN 125-A 6,4-A2-70 | |
| 400-364 | 57767060000 | 004 | SPR. LOCK WASHER DIN 126-A6-FST | |
| 400-371 | 60370106601 | 001 | RAIL | |
| 400-372 | 60370106700 | 002 | BUSHING | |
| 400-374 | 50998960000 | 001 | TENSION SPRING RZ-100FX | |
| 400-396 | 60370106900 | 001 | DISTANCE WASHER | |
| 400-397 | 57347160000 | 001 | HEXAGON SCREW DIN 933-M6X16-8.8 | |
| 400-398 | 56739060000 | 001 | WASHER DIN 125-A 6,4-A2-70 | |
| 400-399 | 57767060000 | 001 | SPR. LOCK WASHER DIN 126-A6-FST | |
| 400-425 | | 001 | SWITCH ANGLE MOUNTED | |
| 400-425-1 | 60384106901 | 001 | SWITCH ANGLE | |
| 400-425-2 | 60386100900 | 001 | SAFETY SWITCH S 870 + L 600 03L1R034 | |
| 400-425-3 | 60380101500 | 001 | NUT PLATE | |
| 400-425-4 | 56805380000 | 002 | OVAL-HEAD SCREW DIN 7985-M3X20-4.8 | |
| 400-425-5 | 56739030000 | 002 | WASHER DIN 125-A 3,2-A2-70 | |
| 400-425-6 | 57767030000 | 002 | SPR. LOCK WASHER DIN 128-A3-FST | |
| 400-426 | 56818440000 | 001 | SELF-TAPP.SCREW DIN 7500-CM4X12-T20-ST | |
| 400-427 | 56739040000 | 001 | WASHER DIN 125-A 4,3-A2-70 | |
| 400-428 | 57767040000 | 001 | SPR. LOCK WASHER DIN 128-A4-FST | |

Bitte unbedingt 11-stellige **Bestell-Nr.** angeben • Please always indicate 11 digit **Order No.** • Absolutement nécessaire d'indiquer **No. de commande** (11 chiffres) • Favorisca specificarci sempre il **N. di ordine** a 11 cifre • Es imprescindible que citen el **No. de pedido** (11 guarismos)

| | | | |
|------------------------------------|--|----------------|------------------------|
| Series (code No.) 90.092 | Spare parts list No. 038.98.3.1005 | SE 12 D | Text page 21 |
|------------------------------------|--|----------------|------------------------|

| Number in drawing | Order number | Piece | Designation | from status onwards |
|-------------------|--------------|-------|---|------------------------|
| 400-450 | | 001 | HOUSING PRE-MOUNT. (UP TO DEVICE-NO. 10361573) | |
| 400-450-1 | 60380315604 | 001 | HOUSING | |
| 400-450-3 | 71027230000 | 001 | MAIN KEY ON | |
| 400-450-6 | 71027210000 | 001 | MAIN KEY OFF | |
| 400-450-8 | 60386102001 | 001 | CABLE CPU-ON/OFF SE12 D | |
| 400-450-10 | 60385110102 | 001 | LPB DISPLAY SE12-D/DSP | |
| 400-450-12 | 57465130000 | 006 | PLASTIC SCREW WN 1452-K40X8-T20-10.9 | |
| 400-450-15 | 71010630000 | 002 | CABLE GLAND ST13.5 UL53015030 | |
| 400-450-16 | 71161130000 | 002 | NUT M PG 13.5 | |
| 400-450-17 | 71011620000 | 001 | SCREW COUPLING ST11 UL53015020 | |
| 400-450-18 | 71161110000 | 002 | NUT M PG 11 | |
| 400-450-19 | 71010650000 | 002 | CABLE GLAND PG7 UL53015000 | |
| 400-450-20 | 71161070000 | 003 | NUT PG 7 DIN 46320 | |
| 400-450-22 | 71161090000 | 001 | NUT M PG 9 DIN 46320 | |
| 400-450-23 | 71066090000 | 001 | LOCKING N PG 9 DIN 46320 | |
| 400-450-25 | 60386400402 | 001 | DECO FOIL | |
| 400-450-30 | 60380313900 | 001 | SILICON TUBE 900 MM | |
| 400-451 | 56739040000 | 004 | WASHER DIN 125-A 4,3-A2-70 | |
| 400-452 | 56456400000 | 004 | HEXAGON NUT DIN 934-M4-A2-70 | |
| 400-453 | 57767040000 | 004 | SPR. LOCK WASHER DIN 128-A4-FST | |
| 400-455 | 60387010123 | 001 | PROGR.+ LPB SE12D/DSP (STANDARD) | |
| 400-455-1-530 (V) | 71451530000 | 001 | FUSE ELEMENT 4.0 H NO. 19181 | |
| 400-455-10 | 60380316602 | 001 | CARRIER SHEET | |
| 400-455-12 | 71067270000 | 004 | SPACER 15.9 LPR 8523 N | |
| 400-455-14 | 57451340000 | 001 | COUNTERS.SCR. DIN 965-M4X35-A2-70 | |
| 400-455-16 | 56456400000 | 001 | HEXAGON NUT DIN 934-M4-A2-70 | |
| 400-455-18 | 56765040000 | 001 | WASHER DIN 9021-4,3-A2-70 | |
| 400-455-20 | 60386405001 | 001 | THERMAL LEADING FILM POWER MODUL | |
| 400-455-22 | 71512010000 | 001 | POWER MODUL 17A 02NEB066V3 | |
| 400-456 | 60386102100 | 001 | RED RIBBON CABLE | |
| 400-460 | 60386102200 | 001 | STRAND SL L= 300 SE12-D | |
| 400-463 | 60380314801 | 004 | BUSHING | |
| 400-464 | 50001940000 | 004 | O-SEAL 6X3 | |
| 400-465 | 56818470000 | 004 | SELF-TAPP.SCREW DIN 7500-CM4X16-T20-ST | |
| 400-467 | 57758610000 | 008 | TOOTHED WASHER DIN 6797-A 4,3-FST | |
| 400-470 | 60380316700 | 002 | SUPPORTING BOLT (65MM) | |
| | 60380316701 | 004 | SUPPORTING BOLT (64,2MM) | |
| 400-473 | 60380317100 | 002 | FIXING BOLT (25MM) | |
| 400-475 | 60380317500 | 001 | ANGLE | |
| 400-478 | 60380315400 | 001 | BASE PLATE | |
| 400-479 | 56805750000 | 002 | OVAL-HEAD SCREW DIN 7985-M4X12-T20-5.8 | |
| 400-482 | 57767040000 | 002 | SPR. LOCK WASHER DIN 128-A4-FST | |
| 400-522 | 60386100301 | 001 | SWITCH S870+L500 03L1R032 | |
| 400-550 | | 001 | CARRIAGE DRIVE SE-12D (W/O THERM. INSUL., W/O BUSHES) | |
| 400-550-4 | 60380307001 | 001 | BEARING PEDESTAL | |
| 400-550-5 | 56362670000 | 001 | GROOVED BALL BEARING DIN 625 6302-RSZ | |
| 400-550-6 | 60380302900 | 001 | WASHER | |
| 400-550-7 | 57264250000 | 003 | HEXAGON SCREW DIN 931-M6X50-A2-70 | |
| 400-550-8 | 56739060000 | 003 | WASHER DIN 125-A 6,4-A2-70 | |

Bitte unbedingt 11-stellige **Bestell-Nr.** angeben • Please always indicate 11 digit **Order No.** • Absolutement nécessaire d'indiquer **No. de commande** (11 chiffres) • Favorisca specificarci sempre il **N. di ordine** a 11 cifre • Es imprescindible que citen el **No. de pedido** (11 guarismos)

| | | | |
|------------------------|----------------|--|------------------------------------|
| Text page 22 | SE 12 D | Spare parts list No. 038.98.3.1005 | Series (code No.) 90.092 |
|------------------------|----------------|--|------------------------------------|

| Number in drawing | Order number | Piece | Designation | from status onwards |
|-------------------|--------------|-------|---------------------------------------|------------------------|
| 400-550-9 | 57767060000 | 003 | SPR. LOCK WASHER DIN 126-A6-FST | |
| 400-550-11 | 60380307101 | 001 | SHAFT 6006 RSZ | |
| 400-550-12 | 56362680000 | 001 | GROOVED BALL BEARING DIN 625 6006-2R | |
| 400-550-15 | 60380306201 | 001 | BELT PULLEY 2 COMPL. HTD 5M | |
| 400-550-16 | 50282370000 | 001 | DISC SPRING 54,5X40,5X0,45 | |
| 400-550-20 | 60380302402 | 001 | DISK | |
| 400-550-21 | 57451630000 | 001 | COUNTERS.SCR. DIN 965-M6X10-A2-70 | |
| 400-550-23 | 60112000029 | 001 | WASHER 6.2 | |
| 400-550-24 | 56806640000 | 001 | OVAL-HEAD SCREW DIN 7985-M6X10-A2-70 | |
| 400-550-30 | 60380306401 | 001 | BEARING, COMPL. HTD 5M | |
| 400-550-30-1 | 60380303001 | 001 | SHAFT | |
| 400-550-30-2 | 56362640000 | 001 | GROOVED BALL BEARING DIN 625 6002-RSZ | |
| 400-550-30-3 | 60380303102 | 001 | BUSH | |
| 400-550-30-4 | 50001680000 | 001 | DISC SPRING 31,7X20,4X0,3 | |
| 400-550-30-5 | 60380306701 | 001 | BELT PULLEY 3 COMPLETE HTD 5M | |
| 400-550-30-7 | 56362640000 | 001 | GROOVED BALL BEARING DIN 625 6002-RSZ | |
| 400-550-30-8 | 56765060000 | 001 | WASHER DIN 9021-6,4-A2-70 | |
| 400-550-30-9 | 56806640000 | 001 | OVAL-HEAD SCREW DIN 7985-M6X10-A2-70 | |
| 400-550-31 | 57431160000 | 004 | HEXAGON SCREW DIN 933-M6X16-A2-70 | |
| 400-550-32 | 56765060000 | 004 | WASHER DIN 9021-6,4-A2-70 | |
| 400-550-33 | 57767060000 | 004 | SPR. LOCK WASHER DIN 126-A6-FST | |
| 400-550-49 | 60380304401 | 001 | CARRIAGE MOTOR SE12 D | |
| 400-550-49-3 | 60380306501 | 001 | BELT PULLEY 1 COMPLETE HTD 5M | |
| 400-550-49-7 | 60223506600 | 001 | WASHER | |
| 400-550-49-9 | 57429100000 | 001 | HEXAGON SCREW DIN 933-M4X10-A2-70 | |
| 400-550-56 | 57743430000 | 003 | SOCKET HEAD SCREW DIN 912-M6X20-A2-70 | |
| 400-550-57 | 56765060000 | 003 | WASHER DIN 9021-6,4-A2-70 | |
| 400-550-58 | 57767060000 | 003 | SPR. LOCK WASHER DIN 126-A6-FST | |
| 400-550-70 | 50009531000 | 001 | TOOTHED BELT HTD 550-5M-16 | |
| 400-550-75 | 50009532000 | 001 | TOOTHED BELT HTD 1050-5M-16 | |
| 400-551 | 60380303502 | 002 | PLATE | |
| 400-552 | 57767080000 | 003 | SPR. LOCK WASHER DIN 128-A8-FST | |
| 400-553 | 60800105000 | 001 | WASHER 8,2 X 13,8 X 0,8 | |
| | 00610300005 | 001 | WASHER 8.2 (USA) | |
| 400-554 | 60380311200 | 003 | BOLT (L=79MM) | |
| | 60380311201 | 002 | BOLT (L=80,2MM) | |
| | 60380312301 | 001 | BOLT (L=81,2MM) | |
| 400-555 | 60380312201 | 002 | BASE PLATE | |
| 400-556 | 57736300000 | 002 | SOCKET HEAD SCREW DIN 912-M6X30-8.8 | |
| | 57743440000 | 002 | SOCKET HEAD SCREW DIN 912-M6X25-A2-70 | |
| 400-557 | 57767060000 | 002 | SPR. LOCK WASHER DIN 126-A6-FST | |
| 400-558 | 56739060000 | 002 | WASHER DIN 125-A 6,4-A2-70 | |
| 400-565 | 60380102301 | 001 | FISH PLATE | |
| 400-566 | 57429060000 | 002 | HEXAGON SCREW DIN 933-M4X6-A2-70 | |

Bitte unbedingt 11-stellige **Bestell-Nr.** angeben • Please always indicate 11 digit **Order No.** • Absolutement nécessaire d'indiquer **No. de commande** (11 chiffres) • Favorisca specificarci sempre il **N. di ordine** a 11 cifre • Es imprescindible que citen el **No. de pedido** (11 guarismos)

| | | | |
|------------------------------------|--|----------------|------------------------|
| Series (code No.) 90.092 | Spare parts list No. 038.98.3.1005 | SE 12 D | Text page 23 |
|------------------------------------|--|----------------|------------------------|

| Number in drawing | Order number | Piece | Designation | from status onwards |
|-------------------|--------------|-------|--|------------------------|
| 400-575 | | 001 | BASEPLATE MOUNTED (WITH SWITCHING MAN/AUTO) | |
| 400-575-1 | 60380315701 | 001 | BOTTOM PLATE | |
| 400-575-2 | 60380312700 | 001 | COUPLING BAR PREASSEMBLED | |
| 400-575-3 | 60380313000 | 003 | FISH PLATE | |
| 400-575-4 | 60380313100 | 001 | SWITCH ROD | |
| 400-575-5 | 60380313200 | 004 | GUIDE RING | |
| 400-575-6 | 57464230000 | 004 | PLASTIC SCREW WN1451-K40X16-T20-10.9 | |
| 400-575-8 | 56359360000 | 001 | GROOVED PIN DIN 1473-4X10-A2 | |
| 400-575-9 | 56087121000 | 001 | MUSHR.-SH. HANDLE GN 77-35-M8 | |
| 400-575-13 | 57429120000 | 001 | HEXAGON SCREW DIN 933-M4X12-A-70 | |
| 400-575-14 | 56400890000 | 001 | LOCKNUT DIN 985-M4-A2-70 | |
| 400-576 | 56739040000 | 003 | WASHER DIN 125-A 4,3-A2-70 | |
| 400-577 | 56805430000 | 003 | OVAL-HEAD SCREW DIN 7985-M4X10-5.8 | |
| 400-578 | 60380314501 | 002 | SPACER | |
| 400-580 | 56187990000 | 002 | PARALLEL PIN DIN 7-6M6X16-A2 | |
| 400-581 | 60380311501 | 002 | SPACER | |
| 400-582 | 60610000400 | 004 | RUBBER FOOT | |
| 400-583 | 57743510000 | 002 | SOCKET HEAD SCREW DIN 912-M6X60-A2-70 | |
| 400-584 | 57743530000 | 002 | SOCKET HEAD SCREW DIN 912-M6X90-A2-70 | |
| 400-586 | 56806700000 | 001 | OVAL-HEAD SCREW DIN 7985-M6X25-A2-70 | |
| 400-587 | 56806650000 | 002 | OVAL-HEAD SCREW DIN 7985-M6X12-A2-70 | |
| 400-588 | 56739060000 | 003 | WASHER DIN 125-A 6,4-A2-70 | |
| 400-589 | 60140000601 | 003 | WASHER 10.9X2 | |
| 400-590 | 60380313700 | 001 | VENTILATING COMPARTMENT | |
| 400-591 | 56765040000 | 004 | WASHER DIN 9021-4,3-A2-70 | |
| 400-592 | 57465080000 | 004 | PLASTIC SCREW WN 1452-K40X12-T20-10.9 | |
| 400-595 | 56806430000 | 003 | OVAL-HEAD SCREW DIN 7985-M4X10-A2-70 | |
| 400-596 | 56739040000 | 003 | WASHER DIN 125-A 4,3-A2-70 | |
| 400-600 | 57630620000 | 004 | COUNTERS.SCR. DIN 963-M6X12-A2-70 | |
| 400-605 | 60370116900 | 001 | BLADE COVER, PREA. SE 12 (UP TO DEVICE-NO. 10498129) | |
| 400-605-4 | 57630530000 | 002 | COUNTERS.SCR. DIN 963-M5X12-A2-70 | |
| 400-605-5 | 60800108400 | 001 | BRACKET HANDLE 100XM5 | |
| 400-606 | 60370112501 | 001 | THREE-SQUARE KNOB, PREASSEMBLED | |
| 400-606-1 | 60370108301 | 001 | THREE-SQUARE HANDLE | |
| 400-606-2 | 60370108500 | 001 | THREADED BOLT | |
| 400-609 | 60384600100 | 001 | CONVERSION DEFLECTOR PLASTIC | |
| 400-609-10 | 60380107802 | 001 | SUPPORTER | |
| 400-609-45 | 57735250000 | 001 | SOCKET HEAD SCREW DIN 912-M5X25-8.8 | |
| 400-609-46 | 57767050000 | 001 | SPR. LOCK WASHER DIN 128-A5-FST | |
| 400-609-47 | 50828480000 | 001 | PROTECTIVE PLUG 11.12249 PE-LD | |
| 400-609-609 | 60380108301 | 001 | INTERMEDIATE PIECE PRE-MOUNT | |
| 400-609-609-1 | 60380108401 | 001 | ADAPTOR | |
| 400-609-609-2 | 56359360000 | 002 | GROOVED PIN DIN 1473-4X10-A2 | |
| 400-609-609-3 | 60380108502 | 001 | SUPPORT BRACKET | |
| 400-609-630 | 60380108600 | 001 | WASHER | |
| 400-609-632 | 60380107901 | 001 | BEARING BOLT | |
| 400-609-635 | 60380107600 | 001 | DEFLECTOR | |
| 400-609-637 | 60223506500 | 001 | BRAKE PULLEY | |
| 400-609-639 | 60610300019 | 002 | THRUST WASHER | |
| 400-609-641 | 60540102400 | 001 | ADJUSTING BOLT | |

Bitte unbedingt 11-stellige **Bestell-Nr.** angeben • Please always indicate 11 digit **Order No.** • Absolutement nécessaire d'indiquer **No. de commande** (11 chiffres) • Favorisca specificarci sempre il **N. di ordine** a 11 cifre • Es imprescindible que citen el **No. de pedido** (11 guarismos)

| | | | |
|------------------------|----------------|--|------------------------------------|
| Text page 24 | SE 12 D | Spare parts list No. 038.98.3.1005 | Series (code No.) 90.092 |
|------------------------|----------------|--|------------------------------------|

| Number in drawing | Order number | Piece | Designation | from status onwards |
|-------------------|--------------|-------|---|------------------------|
| 400-609-643 | 50003040000 | 001 | DECORATIVE PIN MESSRS. INDEN NO4115 WHIT | |
| 400-609-645 | 60380108002 | 001 | EXCENTRIC WASHER | |
| 400-609-647 | 60240503100 | 001 | HEXAGON SCREW DIN 933 M4X10-A2-70 | |
| 400-620 | 60370108700 | 001 | SHAFT | |
| 400-621 | 56083980000 | 001 | SETSCREW DIN 916-M6X12-A2-70 | |
| 400-622 | 60370108900 | 001 | LOCKING SLIDER, COMPL. | |
| 400-623 | 60370110700 | 001 | BEARING BOLT | |
| 400-624 | 60800105000 | 001 | WASHER 8,2 X 13,8 X 0,8 | |
| 400-625 | 57750600001 | 001 | RETAINING WASHER DIN 6799 6 | |
| 400-649 | 60384800500 | 001 | PLATE TYPE OF DRIVE | |
| 400-650 | 60800116900 | 002 | BIZERBA CHARACTER FONT | |
| 400-653 | 51977600000 | 001 | WARNING PLATE WITH DANGER ARROW | |
| 401 | | 001 | BASIC PARTS (DEVICE WITHOUT SWITCHING MAN/AUTO) | |
| 401-1 | 60380100205 | 001 | MACHINE HOUSING (FOR BLADE BEARING PRE-MOUNTED) | |
| 401-60 | | 001 | CARRIAGE GUIDE CPL. (DEVICE W/O SWITCHING MAN/AUTO) | |
| 401-60-1 | | 001 | CARRIAGE GUIDE PREASS. | |
| 401-60-1-1 | 60380100604 | 001 | CARRIAGE GUIDE | |
| 401-450 | 60380314107 | 001 | HOUSING PREASS. (FROM DEVICE-NO. 10361574) | |
| 401-450-21 | 71066070000 | 001 | CABLE GLAND N PG 7 DIN 46320 | |
| 401-478 | 60380315402 | 001 | MOUNTING PLATE | |
| 401-550 | | 001 | CARRIAGE DRIVE SE12D (W/O THERM. INSUL., WITH BUSHES) | |
| 401-550-2 | 60380303903 | 001 | CARRIER | |
| 401-550-50 | 52004099000 | 001 | MOTOR UE 321 TH617 A | |
| 401-550-59 | 50005070000 | 003 | BUSH JSM0608-06 6X8X6 | |
| 401-560 | 60384112500 | 001 | CLAMPING PLUG | |
| 401-561 | 57743440000 | 002 | SOCKET HEAD SCREW DIN 912-M6X25-A2-70 | |
| 401-562 | 56739060000 | 002 | WASHER DIN 125-A 6,4-A2-70 | |
| 401-563 | 57767060000 | 002 | SPR. LOCK WASHER DIN 126-A6-FST | |
| 401-570 | 60380315701 | 001 | BOTTOM PLATE | |
| 401-571 | 40220000201 | 001 | PROTECTIVE PLUG 12.2 KNURLED | |
| 401-605 | 60370160202 | 001 | BLADE COVER CPL. (FROM DEVICE-NO. 10498130) | |
| 401-605-1 | 60370160402 | 001 | BLADE COVER | |
| 401-605-2 | 60370160501 | 001 | THREADED BUSHING | |
| 401-605-4 | 57630530000 | 002 | COUNTERS.SCR. DIN 963-M5X12-A2-70 | |
| 401-605-5 | 60800108400 | 001 | BRACKET HANDLE 100XM5 | |
| 407 | | 001 | BASIC PARTS (DECENTRALLY FASTENING BLAD COVER) | |
| 407-1 | 60380162000 | 001 | MACHINE HOUSING | |
| 407-1-20 | 60370160100 | 001 | HUSING LOCKING UNIT | |
| 407-550 | | 001 | CARRIAGE DRIVE SE12D (WITH THERM.INSUL., WITH BUSH.) | |
| 407-550-56 | 57743440003 | 003 | SOCKET HEAD SCREW DIN 912-M6X25-A2-70 | |
| 407-550-61 | 60384112601 | 001 | INSULATING PLATE | |
| 407-550-63 | 56764070000 | 003 | WASHER DIN 9021-6,4-PA66 | |

Bitte unbedingt 11-stellige **Bestell-Nr.** angeben • Please always indicate 11 digit **Order No.** • Absolutement nécessaire d'indiquer **No. de commande**
(11 chiffres) • Favorisca specificarci sempre il **N. di ordine** a 11 cifre • Es imprescindible que citen el **No. de pedido** (11 guarismos)

| | | | |
|------------------------------------|--|----------------|------------------------|
| Series (code No.) 90.092 | Spare parts list No. 038.98.3.1005 | SE 12 D | Text page 25 |
|------------------------------------|--|----------------|------------------------|

| Number in drawing | Order number | Piece | Designation | from status onwards |
|-------------------|--------------|-------|--|---------------------|
| 408 | | 001 | BASIC PARTS + BLATE DEACTIVATION (USA) | |
| 408-59 | 60810100700 | 001 | LOCKING PIN | |
| 408-354 | 60386100602 | 001 | SENSOR COMPLETE INITIAL STATE SE 12D | |
| 408-355 | 60386100702 | 001 | SENSOR COMPL. CUT. SE12D | |
| 408-425 | 60380106801 | 001 | SWITCH ANGLE MOUNTED | |
| 408-425-1 | 60380106901 | 001 | CONTACTOR ANGLE | |
| 408-450 | | 001 | HOUSING PRE-MOUNT. + BLADE DEACTIVATION | |
| 408-450-1 | 60380315601 | 001 | COVER, UP TO 1908161 | |
| 408-450-5 | 60666401100 | 004 | THRUST WASHER | |
| 408-450-7 | 50003680000 | 002 | O-SEAL 20X1,0 | |
| 408-450-9 | 57465080000 | 006 | PLASTIC SCREW WN 1452-K40X12-T20-10.9 | |
| 408-450-24 | 60385100121 | 001 | LPB KEYBOARD DISPLAY SE12-D | |
| 408-450-24-405 | 60386402001 | 002 | SPACER | |
| 408-450-24-416 | 71119000000 | 001 | GLOW LAMP 24V 1200110000 | |
| 408-450-25 | 60386400401 | 001 | DECO FOIL SE 12 D | |
| 408-450-30 | 29286020000 | 000 | SILICON TUBE 2X0,5MM | |
| 408-520 | 60386100101 | 001 | CABLE DISPLAY-MAINS BOARD 5P SE 12-D | |
| 408-521 | 60386100201 | 001 | CABLE DISPLAY-CPU SE 12-D | |
| 408-522 | 60386101200 | 001 | SWITCH S870+L500 03LXXXXX | |
| 408-523 | 60386100401 | 001 | CABLE 4 MAINS BOARD-CPU SE 12-D | |
| 408-524 | 60386100501 | 001 | CABLE 5 MAINS BOARD-CPU SE 12-D | |
| 408-525 | 60386100800 | 001 | CABLE DISPLAY-MAINS BOARD 2P SE 12-D | |
| 408-526 | 60386101300 | 001 | CABLE DISPLAY-MAINS BOARD SE 12-D | |
| 408-530 | 60385001109 | 001 | LPB CPU DRIVE+BLADE SE12-D USA | |
| 411 | | 001 | BASIC PARTS (BLADE BEARING SE 12,TRANSFORMER, ITA) | |
| 411-1 | 60383100200 | 001 | MACHINE HOUSING (BLADE BEARING SE 12,TRANSFORMER) | |
| 411-360 | 60383106401 | 001 | ANGLE | |
| 411-425 | | 001 | SWITCH ANGLE MOUNTED | |
| 411-425-1 | 60383106901 | 001 | SWITCH ANGLE | |
| 411-430 | | 001 | TRANSFORMER PRE-MOUNTED | |
| 411-430-1 | 60386001001 | 001 | TRANSFORMER RK 400V/230V SE12-D-ITA | |
| 411-430-2 | 60383107500 | 001 | MOUNTING PANEL | |
| 411-430-3 | 57236600000 | 001 | HEXAGON SCREW DIN 931-M6X60-8.8 | |
| 411-430-4 | 56765060000 | 002 | WASHER DIN 9021-6,4-A2-70 | |
| 411-430-5 | 56400860000 | 001 | LOCKNUT DIN 985-M6-A2-70 | |
| 411-435 | 57451520000 | 002 | COUNTERS.SCR. DIN 965-M5X10-A2-70 | |
| 411-455 | 60387020114 | 001 | PROGR.+LP-B SE12-D/ DSP DR.O.N | |
| 411-522 | 60386100900 | 001 | SAFETY SWITCH S 870 + L 600 03L1R034 | |
| 414 | | 001 | BASICPARTS (BLADE BEARING, WITH TRANSFORMER) | |
| 414-1 | 60383100201 | 001 | MACHINE HOUSING (BLADE BEARING, WITH TRANSFORMER) | |

| | | | |
|------------------------|----------------|--|------------------------------------|
| Text page 26 | SE 12 D | Spare parts list No. 038.98.3.1005 | Series (code No.) 90.092 |
|------------------------|----------------|--|------------------------------------|

| Number in drawing | Order number | Piece | Designation | from status onwards |
|-------------------|--------------|-------|---|------------------------|
| 416 | | 001 | BASIC PARTS (SIKO WITH SWITCHING MAN/AUTO) | |
| 416-60 | | 001 | CARRIAGE GUIDE COMPL. COMPL.(SIKO WITH SWITCHING M/A) | |
| 416-60-1 | | 001 | CARRIAGE GUIDE PRE-MOUNTED (SIKO WITH SWITCHING M/A) | |
| 416-60-1-1 | 60384100600 | 001 | CARRIAGE GUIDE | |
| 416-60-1-35 | 60384108400 | 001 | SENSOR TAKE-UP UNIT | |
| 416-60-1-36 | 56739060000 | 001 | WASHER DIN 125-A 6,4-A2-70 | |
| 416-60-1-37 | 57767060000 | 001 | SPR. LOCK WASHER DIN 126-A6-FST | |
| 416-60-1-38 | 57743440000 | 001 | SOCKET HEAD SCREW DIN 912-M6X25-A2-70 | |
| 416-60-1-47 | 60384106600 | 001 | ANGLE PRE-ASSEMBLED | |
| 416-60-1-48 | 57451290000 | 002 | COUNTERS.SCR. DIN 965-M4X10-T20-4.8 | |
| 416-60-1-60 | 60386111101 | 001 | TOWING CABLE SENS. SIKO SE12-D 120V | |
| 416-60-1-60-1 | | 001 | TOWING CABLE SIKO SE12-D 120V | |
| 416-60-1-60-1-1 | 71070190000 | 001 | CHAIN FLEX CABLE CF2 CF2.01.12 | |
| 416-60-1-60-1-3 | 71228760000 | 001 | ENERG. CHAIN 08 08100380 | |
| 416-60-1-60-1-5 | 71228820000 | 001 | CONNECTION PART WITH BOLT 080.10.2PZ | |
| 416-60-1-60-1-6 | 71228810000 | 001 | CONNECTION PART WITH HOLE 080.10.1PZ | |
| 416-60-1-60-1-9 | 71011620000 | 001 | SCREW COUPLING ST11 UL53015020 | |
| 416-60-1-60-1-13 | 71400420000 | 001 | STOP BRACKET 926477-1 | |
| 416-60-1-60-1-19 | 71400440000 | 013 | CONTACT BUSHING 1 POLE 2-167301-4 | |
| 416-60-1-60-1-21 | 71400470000 | 001 | ENCODING PIN 926519-2 | |
| 416-60-1-66 | 57451250000 | 002 | COUNTERS.SCR. DIN 956-M4X30-A2-70 | |
| 416-60-1-68 | 57451090000 | 002 | COUNTERS.SCR. DIN 965-M3X8-T10-4.8 | |
| 416-60-1-72 | 71004310000 | 002 | CABLE TIE T 18 R LENGTH = 100MM | |
| 416-100 | 60384107100 | 001 | GUIDE RAIL (SIKO) | |
| 416-320 | 60384112300 | 001 | FOOT PLATE WITH SLOT | |
| | 60384112301 | 001 | FOOT PLATE WITH SLOT | |
| 416-321 | 57442160000 | 001 | COUNTERS.SCR. DIN 7991-M6X16-A2-70 | |
| 416-322 | 56739060000 | 001 | WASHER DIN 125-A 6,4-A2-70 | |
| 416-323 | 57767060000 | 001 | SPR. LOCK WASHER DIN 126-A6-FST | |
| 416-324 | 57736300000 | 001 | CHEESE-HEAD SCREW M 6X30 | |
| 416-326 | 60384108500 | 001 | SUPPORT | |
| 416-327 | 56739060000 | 001 | WASHER DIN 125-A 6,4-A2-70 | |
| 416-328 | 57767060000 | 001 | SPR. LOCK WASHER DIN 126-A6-FST | |
| 416-329 | 57743440000 | 001 | SOCKET HEAD SCREW DIN 912-M6X25-A2-70 | |
| 416-331 | 60384108601 | 001 | CONVEYOR SUPPORTING UNIT PRE-ASSEMB. | |
| 416-331-1 | 60384108701 | 001 | CONVEYOR SUPPORTING UNIT | |
| 416-331-3 | 60384108800 | 001 | MAGNET BAND | |
| 416-332 | 56739060000 | 001 | WASHER DIN 125-A 6,4-A2-70 | |
| 416-333 | 57767060000 | 001 | SPR. LOCK WASHER DIN 126-A6-FST | |
| 416-334 | 57431250000 | 001 | HEXAGON SCREW DIN 933-M6X25-A2-70 | |
| 416-335 | 60384109200 | 001 | SPASER RING | |
| 416-339 | 56739040000 | 001 | WASHER DIN 125-A 4,3-A2-70 | |
| 416-340 | 57767040000 | 001 | SPR. LOCK WASHER DIN 128-A4-FST | |
| 416-341 | 56818440000 | 001 | SELF-TAPP.SCREW DIN 7500-CM4X12-T20-ST | |
| 416-342 | 57450600000 | 001 | COUNTERS.SCR. DIN 965-M6X50-A2-70 | |
| 416-343 | 60384109101 | 001 | THREADED SLEEVE | |
| 416-344 | 56739060000 | 002 | WASHER DIN 125-A 6,4-A2-70 | |
| 416-345 | 57767060000 | 001 | SPR. LOCK WASHER DIN 126-A6-FST | |

Bitte unbedingt 11-stellige **Bestell-Nr.** angeben • Please always indicate 11 digit **Order No.** • Absolutement nécessaire d'indiquer **No. de commande** (11 chiffres) • Favorisca specificarci sempre il **N. di ordine** a 11 cifre • Es imprescindible que citen el **No. de pedido** (11 guarismos)

| | | | |
|------------------------------------|--|----------------|------------------------|
| Series (code No.) 90.092 | Spare parts list No. 038.98.3.1005 | SE 12 D | Text page 27 |
|------------------------------------|--|----------------|------------------------|

| Number in drawing | Order number | Piece | Designation | from status onwards |
|-------------------|--------------|-------|--|---------------------|
| 416-346 | 56456600000 | 002 | HEXAGON NUT DIN 934-M6-A2-70 | |
| 416-347 | 60384109000 | 001 | BASE PLATE | |
| | 60384109001 | 001 | BASE PLATE | |
| 416-348 | 71169060000 | 001 | FIXTURE CLIP HP-6N | |
| 416-349 | 56739040000 | 001 | WASHER DIN 125-A 4,3-A2-70 | |
| 416-350 | 56818440000 | 001 | SELF-TAPP.SCREW DIN 7500-CM4X12-T20-ST | |
| 416-351 | 56818430000 | 001 | SELF-TAPP.SCREW DIN 7500-CM4X8-T20-ST | |
| 416-353 | 57451090000 | 002 | COUNTERS.SCR. DIN 965-M3X8-T10-4.8 | |
| 416-355 | 71004310000 | 002 | CABLE TIE T 18 R LENGTH = 100MM | |
| 416-455 | 60387030103 | 001 | PROGR.+LPB SIKO SE12D/ 120V | |
| 416-550 | | 001 | CARRIAGE DRIVE SE12D-SIKO | |
| 416-550-49 | 60384114400 | 001 | CARRIAGE MOTOR SIKO COMPL. | |
| 416-555 | 60384112200 | 001 | FOOT PLATE | |
| | 60384112201 | 001 | FOOT PLATE | |
| 416-583 | 57743520000 | 002 | SOCKET HEAD SCREW DIN 912-M6X70-A2-70 | |
| 417 | | 001 | BASIC PARTS (SIKO W/O SWITCHING MAN/AUTO) | |
| 417-60 | | 001 | CARRIAGE GUIDE COMPL. (SIKO W/O SWITCHING MAN/AUTO) | |
| 417-60-1 | | 001 | CARRIAGE GUIDE PRE-MO. (SIKO W/O SWITCHING MAN/AUTO) | |
| 417-60-1-1 | 60384100601 | 001 | CARRIAGE GUIDE | |
| 417-60-1-47 | 60384106700 | 001 | ANGLE | |
| 417-338 | 60384106900 | 001 | SWITCH ANGLE | |
| | 60384106901 | 001 | SWITCH ANGLE | |
| 417-450 | | 001 | HOUSING PRE-MOUNTED (SIKO W/O SWITCHING MAN/AUTO) | |
| 417-450-10 | 60385111102 | 001 | LPB KEYB.DISPL. UL | |
| 417-450-14 | 71010820000 | 001 | CABLE GLAND M16 UL 53111010 | |
| 417-450-22 | 71161170000 | 001 | NUT GMP-GL M16 | |
| 417-550 | | 001 | CARRIAGE DRIVE SE 12D SIKO | |
| 417-550-50 | 52004081000 | 001 | MOTOR UE 321 TH/583 DIRECT CURRENT | |
| 419 | | 001 | BASIC PARTS (SIKO, WITHOUT SWITCHING MAN/AUTO) | |
| 419-450 | | 001 | HOUSING PRE-MOUNTED (SIKO, WITHOUT SWITCHING) | |
| 419-450-10 | 60385110102 | 001 | LPB DISPLAY SE12-D/DSP | |
| 8500 | 60374602000 | 001 | BLADE SHAFT REPAIR KIT | |
| 8500-3 | 60374602200 | 001 | LOCK NUT REPAIR KIT USA | |
| 8500-5 | 60374602300 | 001 | THREE-SQUARE HANDLE PRE-ASSEMBL.REP.KIT | |
| 8500-5-1 | 60370108301 | 001 | THREE-SQUARE HANDLE | |
| 8500-5-3 | 60374602400 | 001 | THREADED ROD REP: KIT | |
| 8500-7 | 60370109600 | 001 | BRAKE PULLEY | |

| | | | |
|------------------------|----------------|--|------------------------------------|
| Text page 28 | SE 12 D | Spare parts list No. 038.98.3.1005 | Series (code No.) 90.092 |
|------------------------|----------------|--|------------------------------------|

| Number in drawing | Order number | Piece | Designation | from status onwards |
|-------------------|--------------|-------|---|------------------------|
| 9900 | 95972940000 | 001 | SCREW SEALING ADHESIVE LOCTITE 243 10M | |
| 9901 | 95972840000 | 001 | SCREW SEALING ADHESIVE LOCTITE 648 10M | |
| 9902 | 95972870000 | 001 | SCREW SEALING ADHESIVE 50ML LOCTIT.638 | |
| 9903 | 95972990000 | 001 | SCREW SEALING ADHESIVE LOCTITE 290 50ML | |
| 9904 | 95943800000 | 001 | PATTEX GLUE TUBE / 125 GR | |
| 9905 (V) | 96055070000 | 001 | GREASE PARALIQ GA 343 | |
| 9907 | 94008900058 | 001 | KLUEBERSYNTH UH1 64-62/25G (BIZERBA) | |
| 9908 (V) | 96055080000 | 001 | KLUEBERSYNTH UH1 64-62/25KG | |
| 9909 | 95944300000 | 001 | KITCHEN SILICONE BY KNAUF ELASTO4710 | |
| 9910 | 94008900058 | 001 | KLUEBERSYNTH UH1 64-62/25G (BIZERBA) | |
| 9911 | 95972710000 | 001 | SICOMET ADHESIVE H CONTACT | |