

Spare parts list
S111

BIZERBA



320_0000 20181121

Bizerba SE & Co. KG

Business Services

STS-T, Didactics & Documentation

Wilhelm-Kraut-Straße 65

72336 Balingen

T +49 7433 12-0

F +49 7433 12-2696

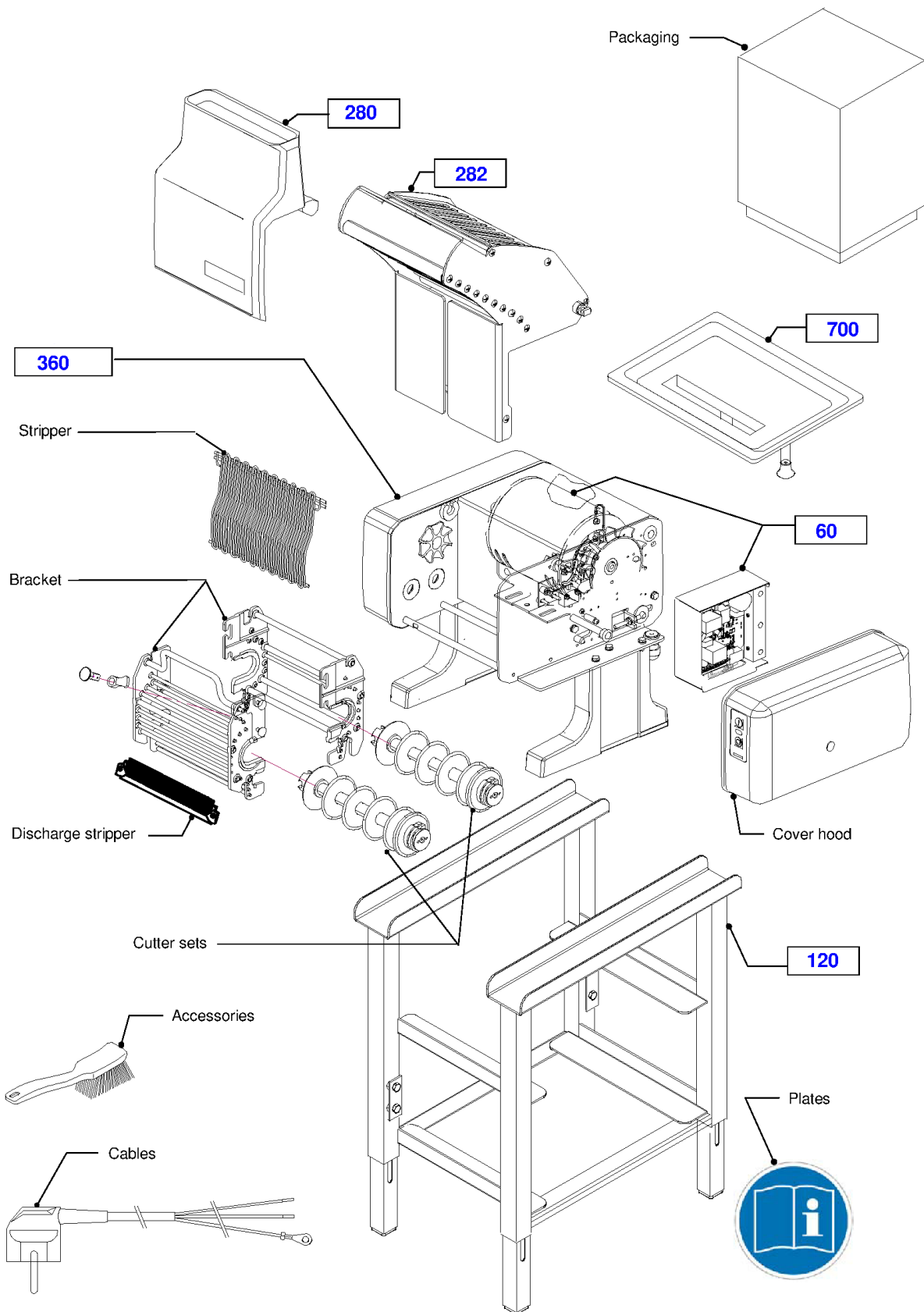
service@bizerba.com

www.bizerba.com

Contents

4	Machine overview
	Voltage variation
6	Motor and PCBA KNIFE CONTROL
8	PCBAP Knife Control 230V
10	PCBA Knife Control 230V
12	Electronic accessories - old generation
14	Cover hood, (from 2010)
16	Cover hood, up to 2009 (Generation 1 and 2)
18	Cables
20	Bench S111/S121
22	Protective hood
24	Infeed chute steaker
	Basic parts S121
26	Overview
28	Drive
30	Motor fastening
32	Electronic accessories
34	Gear unit
40	Switch plate preassembled
42	Plates
44	Accessories - Hand brush, gastro standardized tray, pusher, adhesive, lubricant
46	Packaging - S111, infeed chute, feed pan
48	Feed pan
50	Bracket and fastening parts
	Cutter sets
52	Overview
54	S 011 Meat tenderizer (Steaker)
56	S 012 Knitting (meat tenderizer and meat fasten)
58	S 021 Insert strip cutter
76	Stripper
78	Discharge stripper

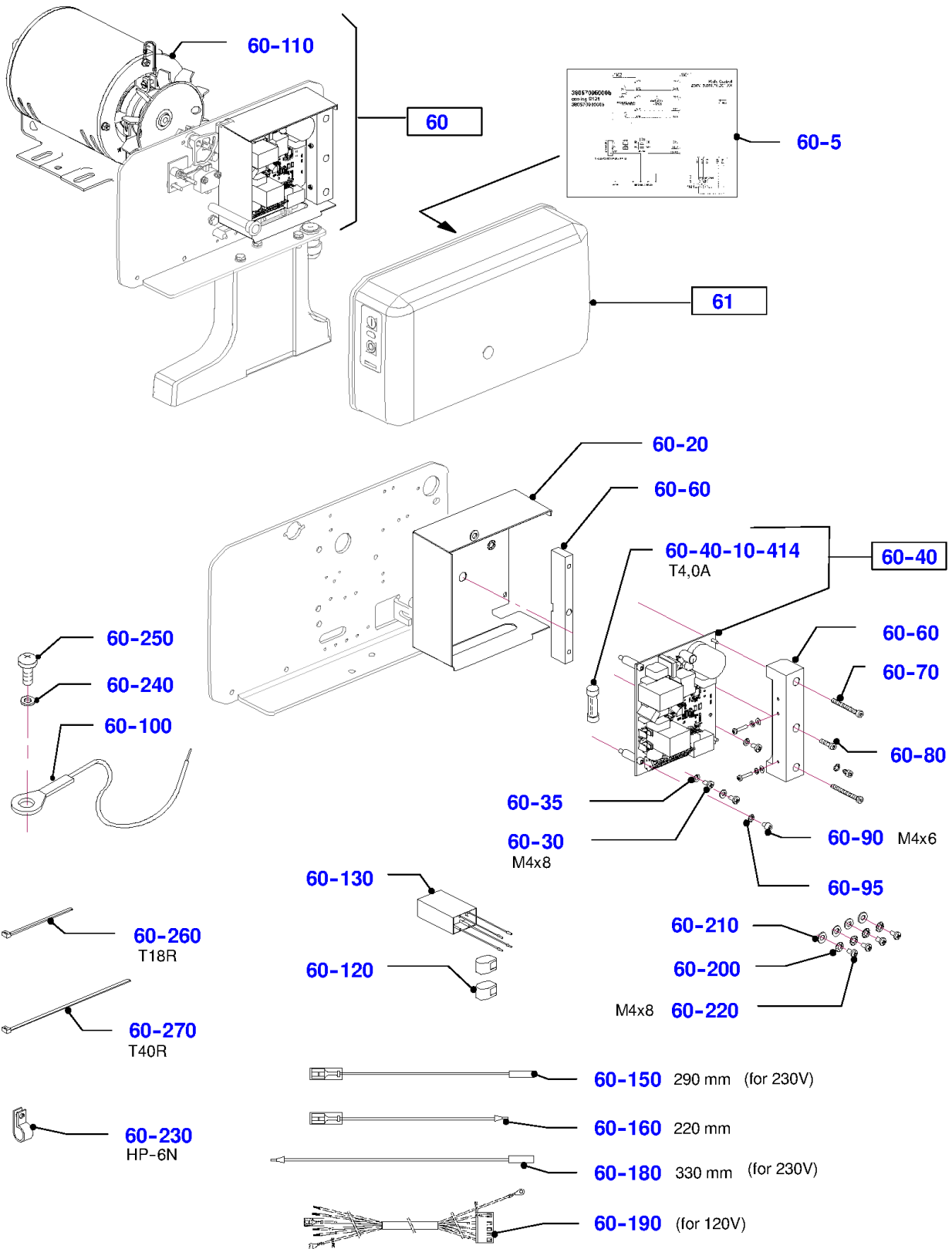
Machine overview



Machine overview

Item	Material No.	Qty	Material description	available for order	ear part	acomm. sp. part	etr. relevance
60		001	VOLTAGE VARIATION S 111 220- 240V/50- 60HZ VOLTAGE VARIATION S 111 100- 120V/50- 60HZ				
120	60560802001	001	BENCH COMPLETE S111/S121	✓			
280	60730008800	001	PROTECTIVE HOOD W. LOGO LEXAN 164H	✓			
280	60730008900	001	PROTECTIVE HOOD W. LOGO LEXAN 164R (CLEAR)	✓			
282	60734528300	001	INFEED CHUTE STEAKER	✓			
360	60734536100	001	BASIC PARTS S121	✓			
700	60730003400	001	FEED PAN COMPL. 2/3 GR.	✓			

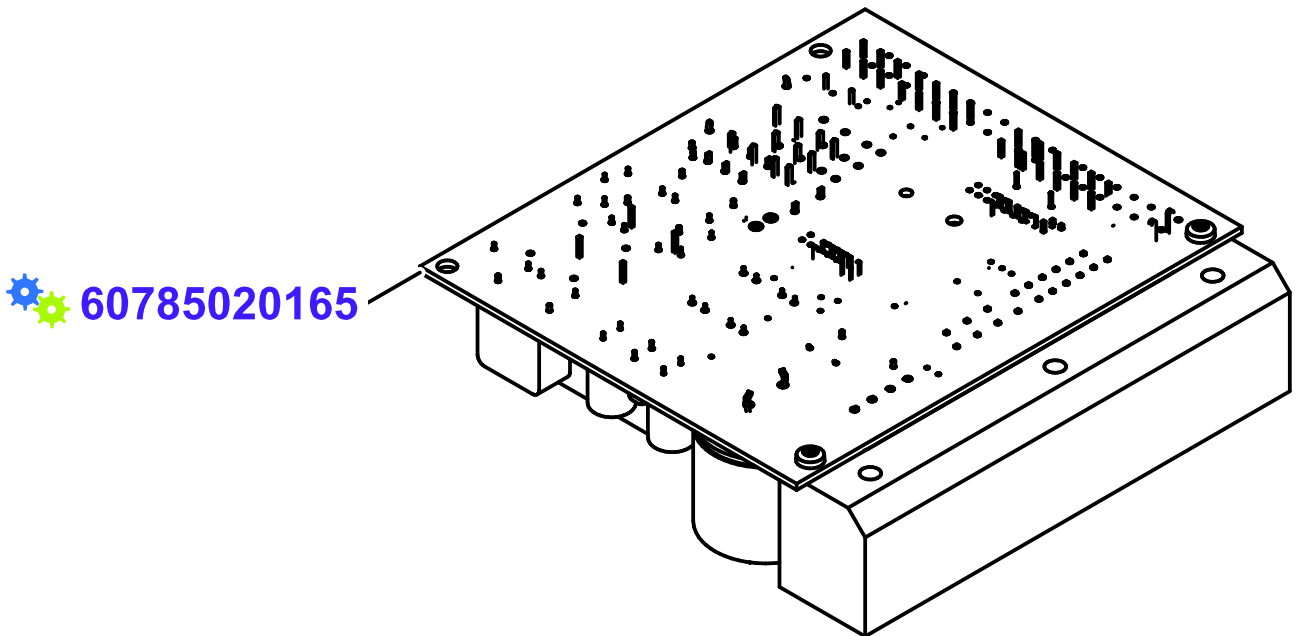
Motor and PCBA KNIFE CONTROL



Motor and PCBA KNIFE CONTROL

Item	Material No.	Qty	Material description	available for order	ear part	acomm. sp. part	etr. relevance
60		001	VOLTAGE VARIATION S 111 220- 240V/50- 60HZ VOLTAGE VARIATION S 111 100- 120V/50- 60HZ				
60-5	38091423001	001	LABEL CABLING S111 220- 240V	✓			
60-5	38091421001	001	LABEL CABLING S111 100V/120V	✓			
60-5	60734801002	001	ADH.CIR.DIAGR. AC 230V S111 EURO	✓			
60-5	60734801102	001	ADH.CIR.DIAGR. AC LED S111 120V UL/CS	✓			
60-5	60734802100	001	ADH.CIR.DIAGR. AC LED S111 100V/50Z JAP	✓			
60-20	38073517001	001	COVER KNIFE CONTROL MOUNTED	✓			
60-30	56806450000	002	Oval-head screw ISO14583 M4x8-A2-70-T20	✓			
60-35	57767040000	002	Spring lock washer DIN128-A4-FSt	✓			
60-40	60787020165	001	PCBAP Knife Control 230V	✓			
60-40	60787040165	001	PCBAP KNIFE CONTROL 120V STEAKER	✓			
60-40-10-414	71451530000	001	Fuse Element T 4.0A	✓		✓	
60-60	38055119005	001	HEAT SINK	✓			
60-70	57734180000	002	SOCKET HEAD SCREW DIN 912- M4X40- 8.8	✓			
60-80	57743080000	001	Cylinder screw DIN912 M4x16-A2-70	✓			
60-90	57734060000	002	Cylinder screw DIN912 M4x6-8.8	✓			
60-95	57758610000	002	Crown gear DIN6797-A 4,3-Fst	✓			
60-100	38057601000	001	KA LI GN/YE AWG18 0,10M	✓			
60-110	38094627000	001	MOTOR 100V 50HZ 3,7A 370W 3PH	✓			
60-110	38019730000	001	MOTOR 120V/AC	✓			
60-110	38020704000	001	MOTOR 220V- 240V/50HZ AC	✓			
60-110	52041140000	001	MOTOR A.C. D29P GM 219500	✓			
60-110	52041150000	001	MOTOR A.C. D29P GM 219500	✓			
60-120	38041290000	002	CONNECTION CLAMP 2- FOLD	✓			
60-130	38058534000	001	SUPPRESSOR CHOKE 2X3,3MH BG	✓			
60-150	38098256000	001	CA CO BK AWG18 0,44M	✓			
60-160	38057610001	001	KA LI BK AWG18 0,22M	✓			
60-180	38057622000	004	KA LI BK AWG18 0,33M	✓			
60-190	38093234000	001	CA RD 7G1,0 0,50M	✓			
60-200	57758610000	004	Crown gear DIN6797-A 4,3-Fst	✓			
60-210	56739040000	004	Unterlegscheibe ISO7089-4-A2	✓			
60-220	56806450000	004	Oval-head screw ISO14583 M4x8-A2-70-T20	✓			
60-230	71169060000	001	fixture clip HP-6N	✓			
60-240	56739040000	001	Unterlegscheibe ISO7089-4-A2	✓			
60-250	56806450000	001	Oval-head screw ISO14583 M4x8-A2-70-T20	✓			
60-260	71004310000	004	Cabel Tie T18R	✓			
60-270	71004320000	003	Cable Tie T40R	✓			
61	60736401102	001	COVER HOOD PRE- ASSEMBLED 230V	✓			
61	60736421101	001	COVER HOOD PRE- MOUNT. 120V	✓			

PCBAP Knife Control 230V



PCBAP Knife Control 230V

Material No.	Qty	Material description
60785020165	1	PCBA Knife Control 230V

available for order

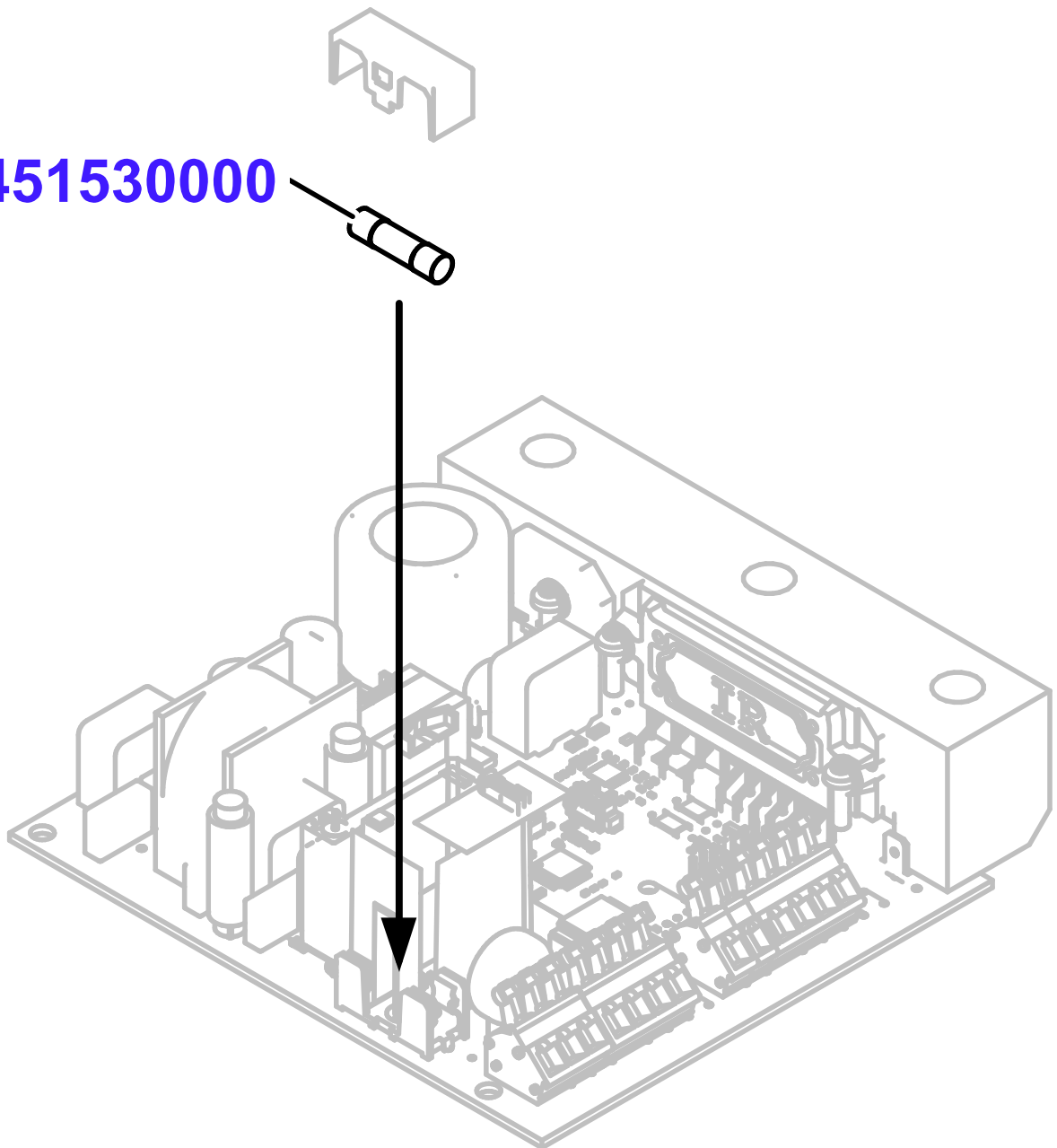
ear part

acomm. sp. part

etr. relevance

PCBA Knife Control 230V

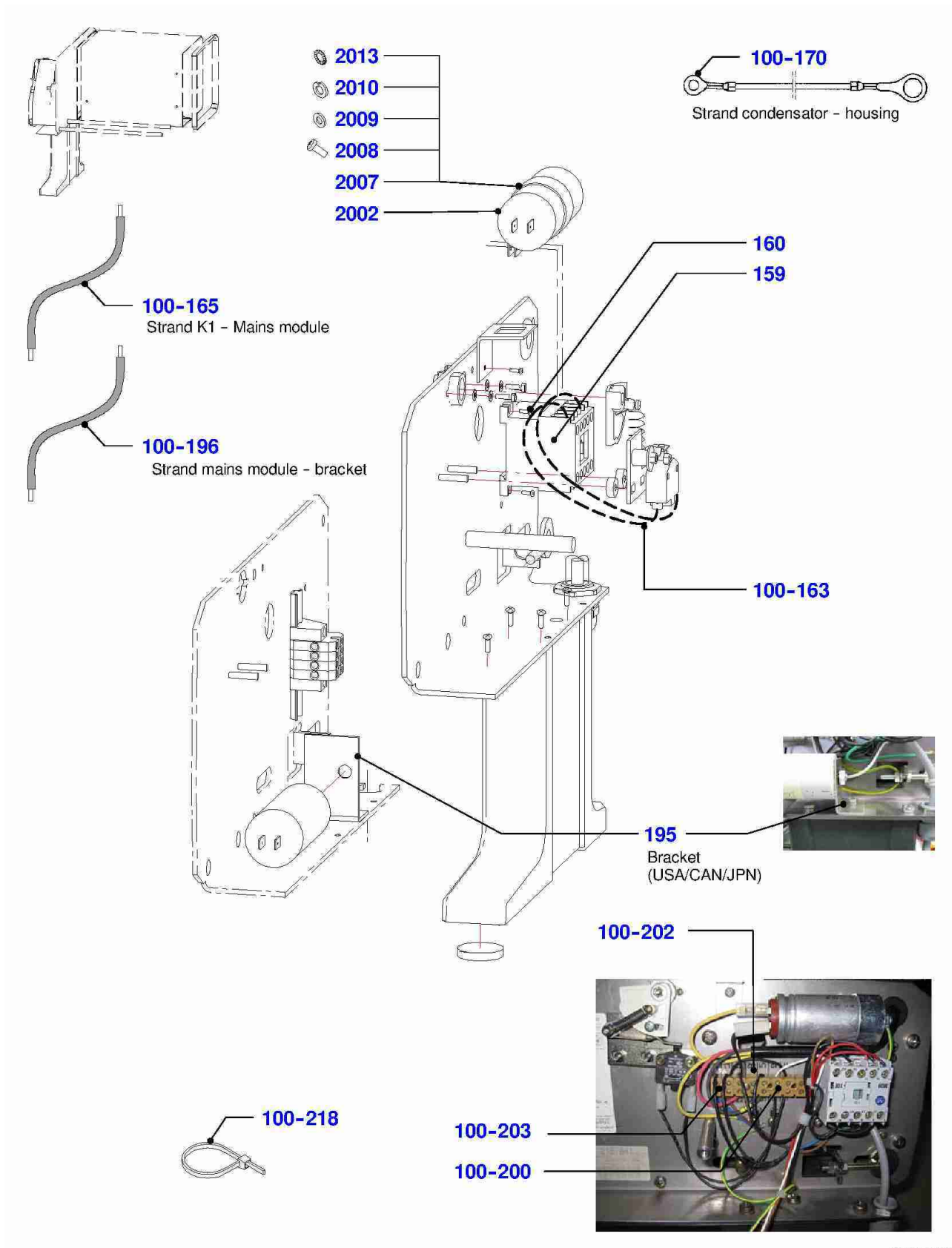
71451530000



PCBA Knife Control 230V

Material No.	Qty	Material description	available for order	ear part	ecomm. sp. part	etr. relevance
71451530000	1	Fuse Element T 4.0A	✓		✓	

Electronic accessories - old generation



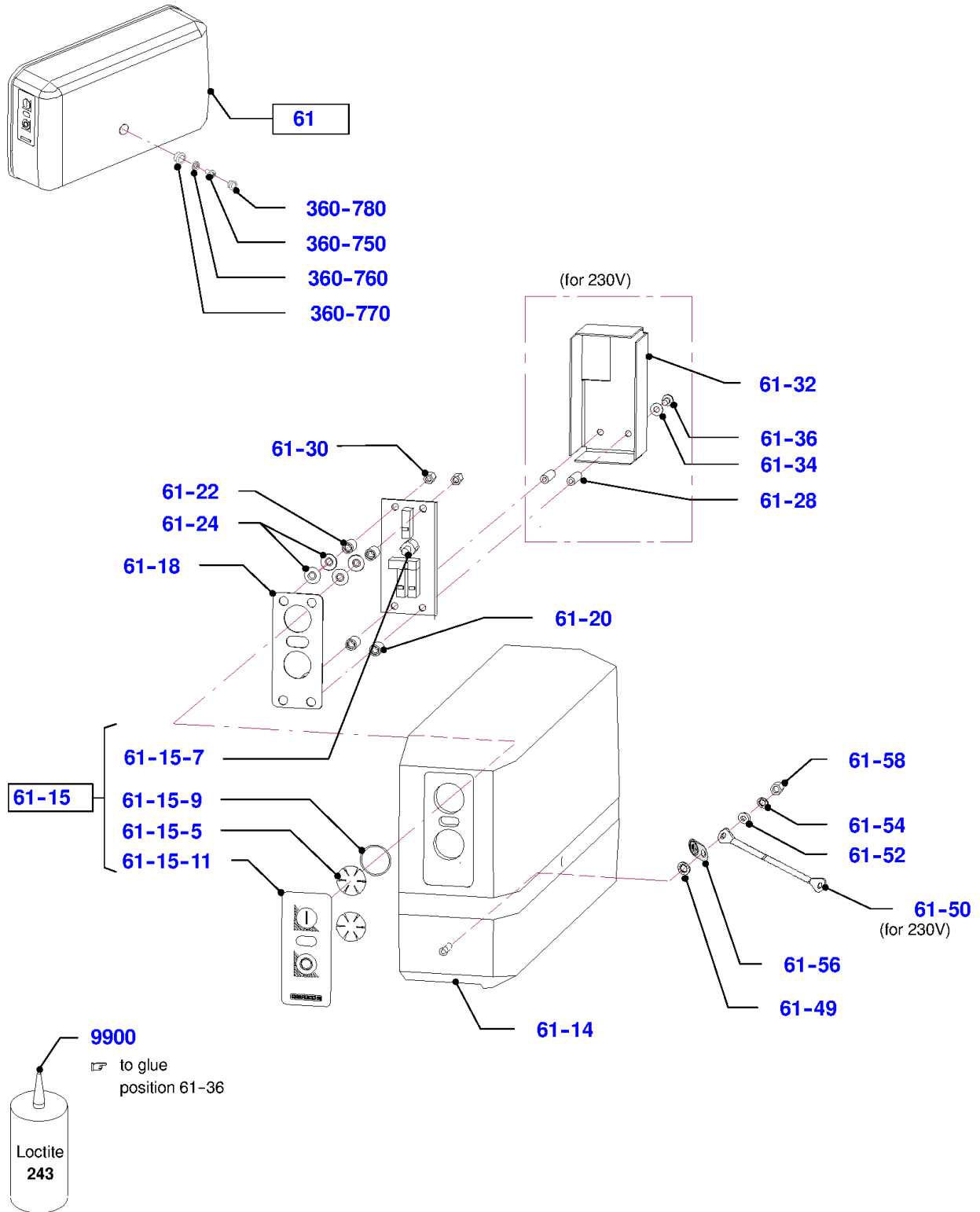
320_0066 20181121

Electronic accessories - old generation

Item	Material No.	Qty	Material description	available for order	ear part	acomm. sp. part	etr. relevance
100-163	60736190100	002	KA LI BK AWG18 1015 0,200M	✓			
100-165	60226101300	004	STRAND K1- POWER PACK MODULE SE8	✓			
100-170	60736100400	001	STRAND CAPACITOR- HOUSING S- 111	✓			
100-196	60266100600	003	STRAND POWER PACK MODULE VS8	✓			
100-200	71130260000	001	Terminal Strip MK 3/8	✓			
100-202	60220109700	001	INSULATING PLATE	✓			
100-203	56806310000	002	Oval-head screw DIN7985 M3x16-A2-70	✓			
100-218	71004310000	002	Cabel Tie T18R	✓			
159	38015827000	001	Contacto 100V 1C	✓			
159	38018805000	001	CONTACTOR 120V 1C	✓			
159	71145320000	001	CONTACTOR CA4- 9- 10/240V, 50/60(100- M09NK	✓		✓	
159	71145330000	001	CONTACT.CA4- 9- 10/220V,50/60(100- M09NKF3)	✓		✓	
160	56805430000	002	OVAL- HEAD SCREW DIN 7985- M4X10- 5.8	✓			
195	60730008600	001	ANGLE PLATE (USA/CAN/JPN)	✓			
2002	71092210000	001	CAPACITOR MP 30MF 250V	✓			
2002	76090010000	001	CAPACITOR MP 220/240V 10MF 400V	✓			
2007	71228720000	001	FASTENING CLIP 312003 D = 35MM	✓			
2008	56806450000	002	Oval-head screw ISO14583 M4x8-A2-70-T20	✓			
2009	56739040000	002	Unterlegscheibe ISO7089-4-A2	✓			
2010	57767040000	002	Spring lock washer DIN128-A4-FSt	✓			
2013	57758610000	002	Crown gear DIN6797-A 4,3-Fst	✓			

Cover hood, (from 2010)

Cover hood, pre-assembled (from 2010)



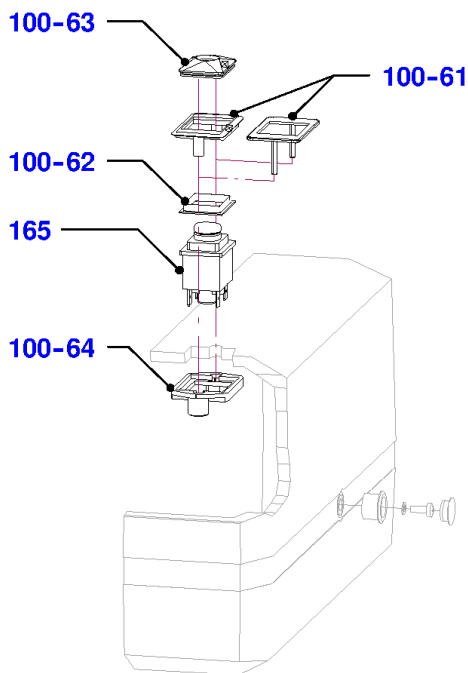
Cover hood, (from 2010)

Item	Material No.	Qty	Material description	available for order	ear part	acomm. sp. part	etr. relevance
61	60736401102	001	COVER HOOD PRE- ASSEMBLED 230V	✓			
61	60736421101	001	COVER HOOD PRE- MOUNT. 120V	✓			
61-14	60730010603	001	PROTECTIVE HOOD RH	✓			
61-15	60736400200	001	ON/OFF SWITCH RAFI 230V	✓		✓	
61-15	60735301100	001	PRINTED BOARD S111 I/O LED BEGIN SERIAL	✓		✓	
61-15-5	60666401100	002	THRUST WASHER	✓			
61-15-7	71119000000	001	GLOW LAMP 24V 1200110000	✓		✓	
61-15-9	50003680000	001	O- SEAL 20X1.0	✓		✓	
61-15-11	60660200100	001	DECO FOIL VERTICAL	✓		✓	
61-18	60730009600	001	PLATE	✓			
61-20	60660011700	002	SPACER SLEEVE	✓			
61-22	60660011801	002	SPACER SLEEVE	✓			
61-24	50281080000	004	DISC SPRING DIN 2093- 12X4,2X0,6	✓			
61-28	60380204100	002	THREADED BUSHING M4X20	✓			
61-30	56400890000	002	Lock nut DIN985-M4-A2	✓			
61-32	60730009700	001	CONTACT PROTECTION DEVICE (ONLY FOR 230 V)	✓			
61-34	57758610000	002	Crown gear DIN6797-A 4,3-Fst	✓			
61-36	56806450000	002	Oval-head screw ISO14583 M4x8-A2-70-T20	✓			
61-49	57758600000	001	Crown gear DIN6797-A 6,4-Fst	✓			
61-50	60736100700	001	STRAND GROUND: WIRE S111 (ONLY FOR 230 V)	✓			
61-52	56739040000	004	Unterlegscheibe ISO7089-4-A2	✓			
61-54	57758610000	004	Crown gear DIN6797-A 4,3-Fst	✓			
61-56	50250100000	002	Grounding Plate 9x17/4.3 D	✓			
61-58	56456400000	001	Hexagon nut DIN934-M4-A2	✓			
360-750	56806430000	002	Oval-head screw DIN7985 M4x10-A2-70	✓			
360-760	57767040000	002	Spring lock washer DIN128-A4-FSt	✓			
360-770	60730007201	002	CAP	✓			
360-780	40220000201	002	Protective plug 16x12,2x5,2-PC	✓			
9900	95972940000	001	SCREW SEALING LOCTITE 242 10ML	✓			

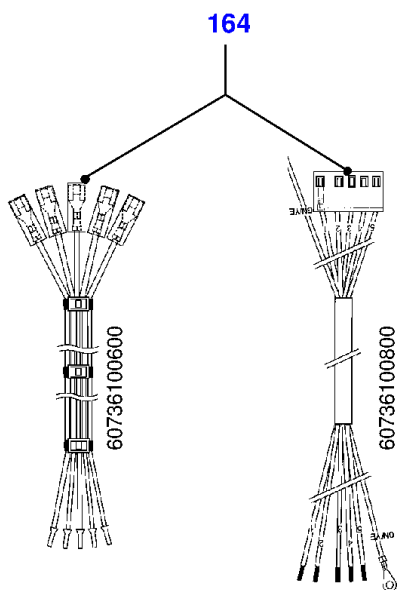
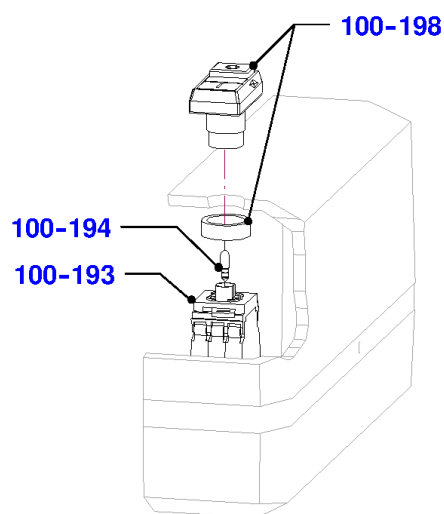
Cover hood, up to 2009 (Generation 1 and 2)

Cover hood (up to 2009) - Generation 1 and 2 are complet no longer available

1. Generation



2. Generation

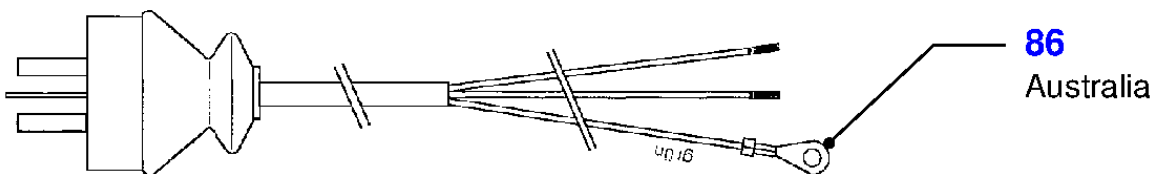
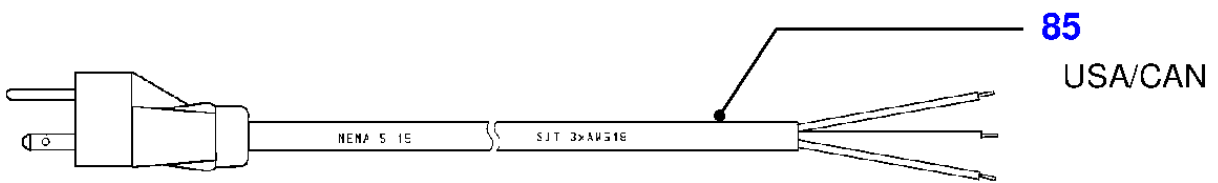
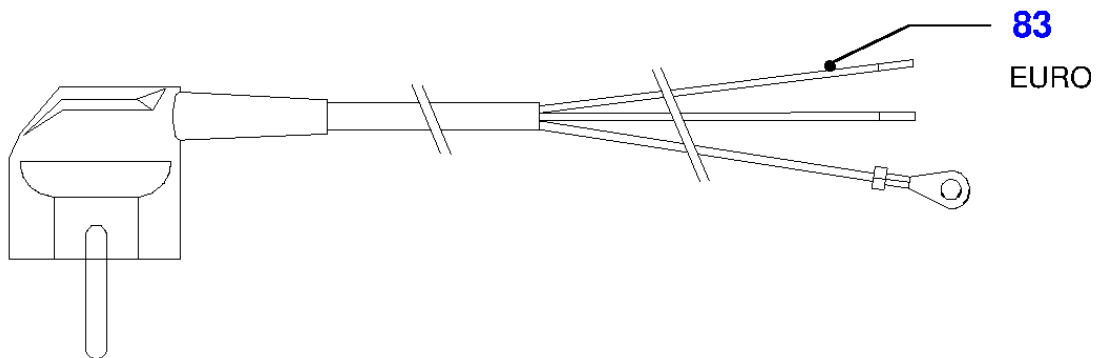
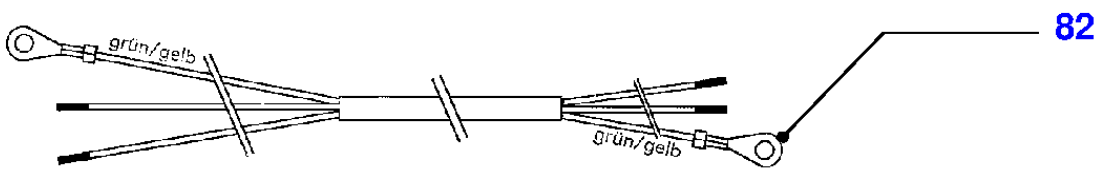
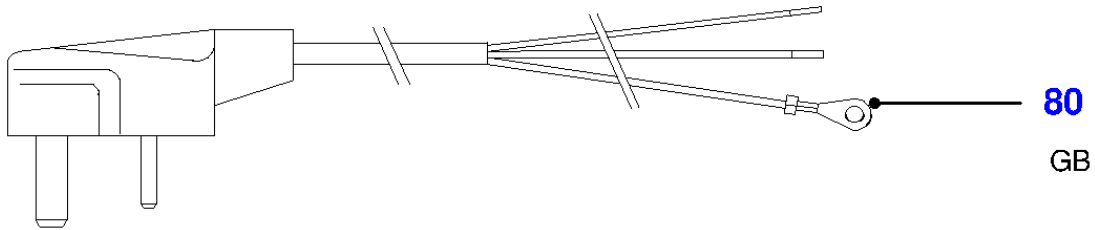


Cover hoods of the 1. or 2. generation are no longer available. Please convert to latest version (see Pos. 61)!

Cover hood, up to 2009 (Generation 1 and 2)

Item	Material No.	Qty	Material description	available for order	ear part	acomm. sp. part	etr. relevance
100-61	60730009100	001	COVER	✓			
100-62	60140102801	001	PLUGGABLE FRAME	✓			
100-63	40140101300	001	MEMBRANE	✓		✓	
100-64	60730006500	001	FASTENING FRAME	✓			
100-193	71199380000	001	SWITCH ELEMENT, PLUGGAB. (S111)	✓		✓	
100-194	71117100000	001	GLOW LAMP 3SX1 701 220V BX9S	✓		✓	
100-198	71199410000	001	SWITCH	✓		✓	
164	60736100600	001	CABLE I/O SWITCH AC S111	✓			
164	60736100800	001	CA. I/O SWI.AC S 111 (WITH PLUG)	✓			
165	71026990000	001	PRESSURE SWITCH 250V 16A	✓		✓	

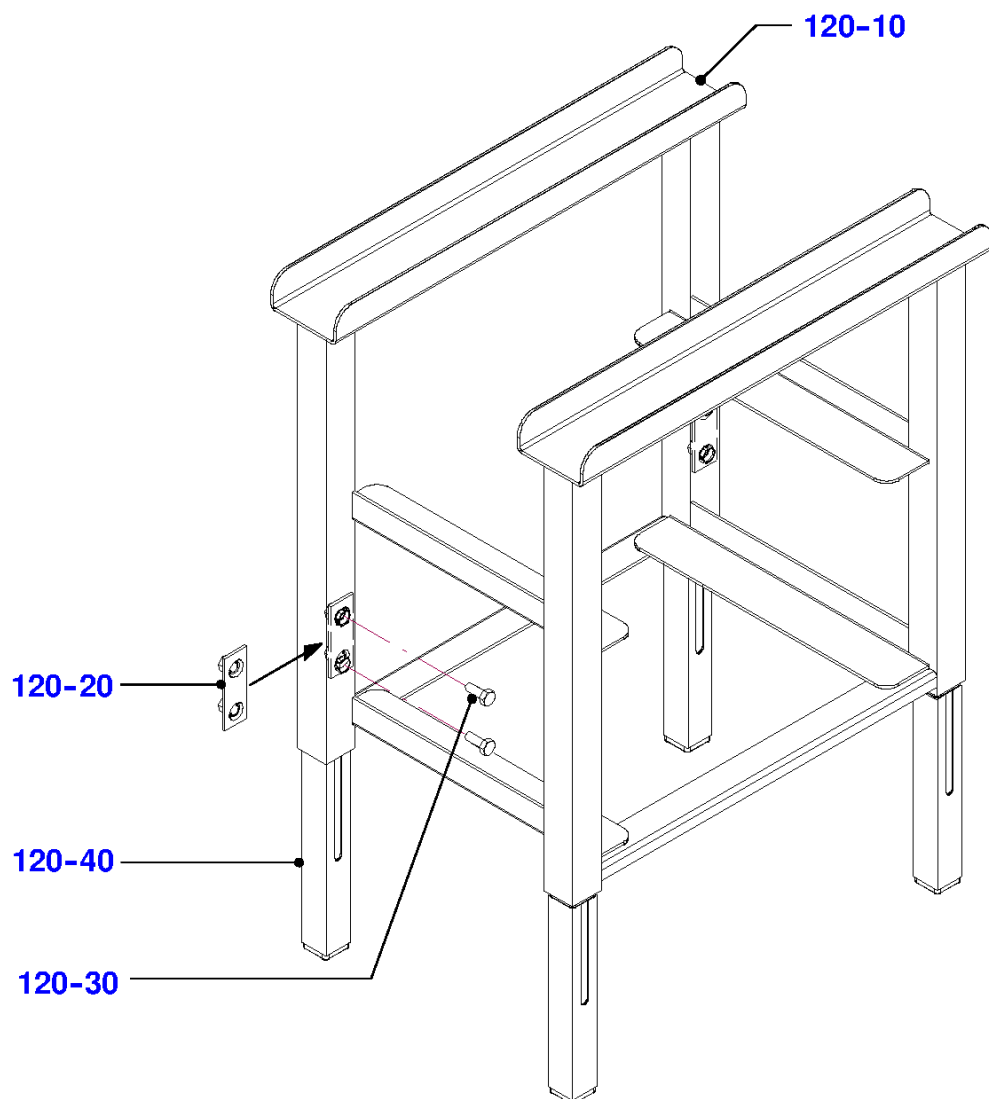
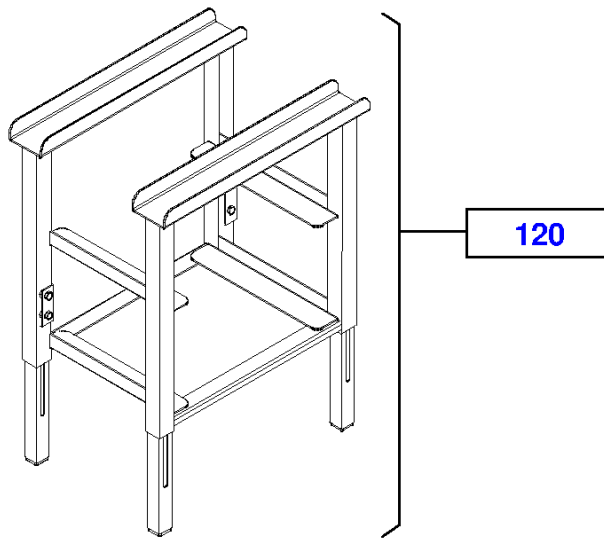
Cables



Cables

Item	Material No.	Qty	Material description	available for order	ear part	acomm. sp. part	etr. relevance
80	40110047600	001	POWER LEAD GB	✓			
82	00110038600	001	MAINS CABLE WITHOUT PLAG	✓			
83	38092715000	001	ARMOURED MAINS CABLE AC EURO L2.5M	✓			
85	40300057700	001	POWER CONNECTING CABLE USA,CAN	✓			
86	40110047400	001	POWER LEAD EXPORT	✓			

Bench S111/S121

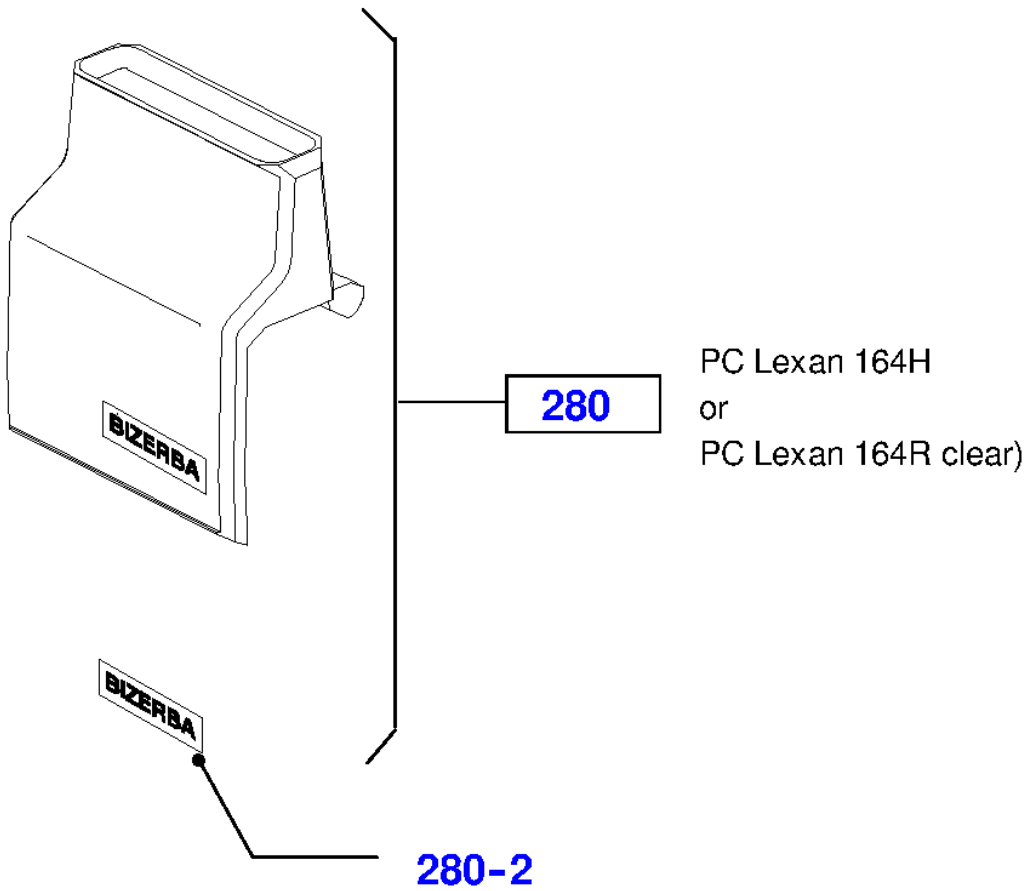
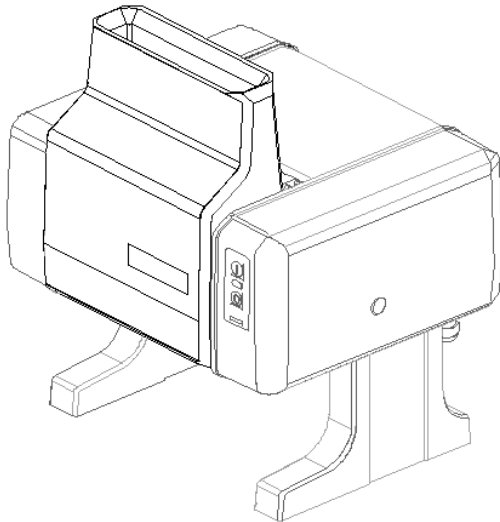


Bench S111/S121

Item	Material No.	Qty	Material description	available for order	ear part	acomm. sp. part	etr. relevance
120	60560802001	001	BENCH COMPLETE S111/S121	✓			
120-10	60560802101	001	BENCH WELDED	✓			
120-20	60560802300	004	WINGNUT PLATE	✓			
120-30	57432300000	008	Hexagon screw DIN933 M8x30 A2-70	✓			
120-40	60560802200	004	ADJUSTABLE FOOT	✓			

Protective hood

Protective hood with logo

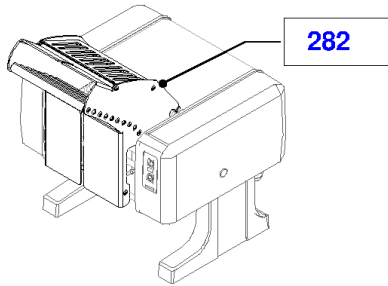


Protective hood

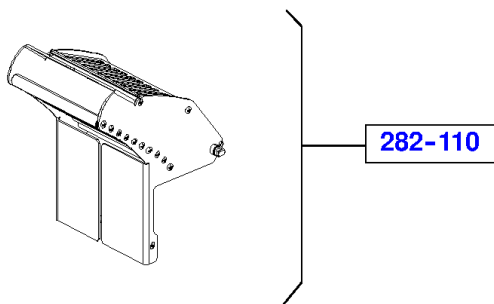
Item	Material No.	Qty	Material description	available for order	ear part	acomm. sp. part	etr. relevance
280	60730008800	001	PROTECTIVE HOOD W. LOGO LEXAN 164H	✓			
280	60730008900	001	PROTECTIVE HOOD W. LOGO LEXAN 164R (CLEAR)	✓			
280-2	67501171201	001	BIZERBA NAMEPLATE L87 H18	✓			

Infeed chute steaker

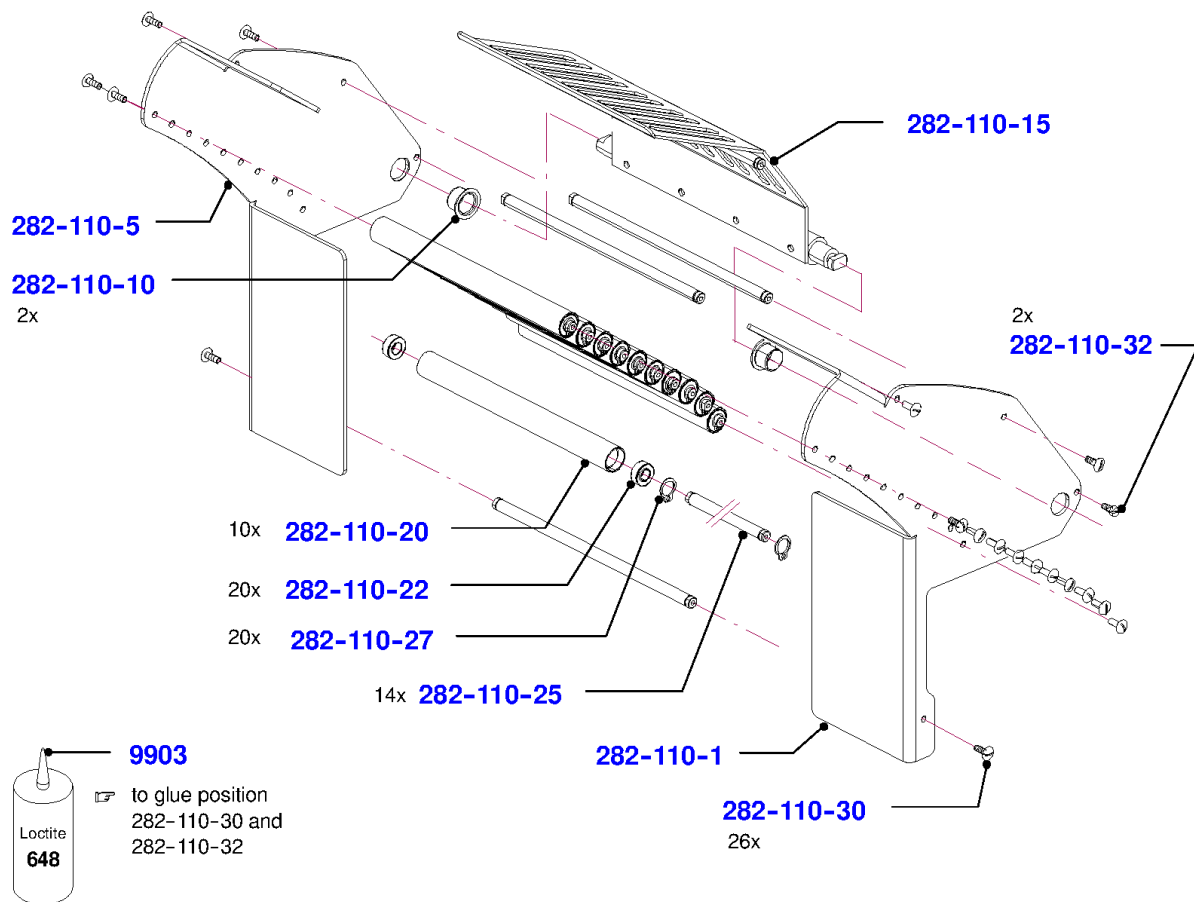
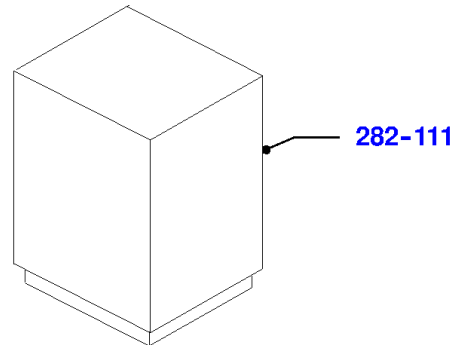
Infeed chute steaker



Infeed chute, cpl.



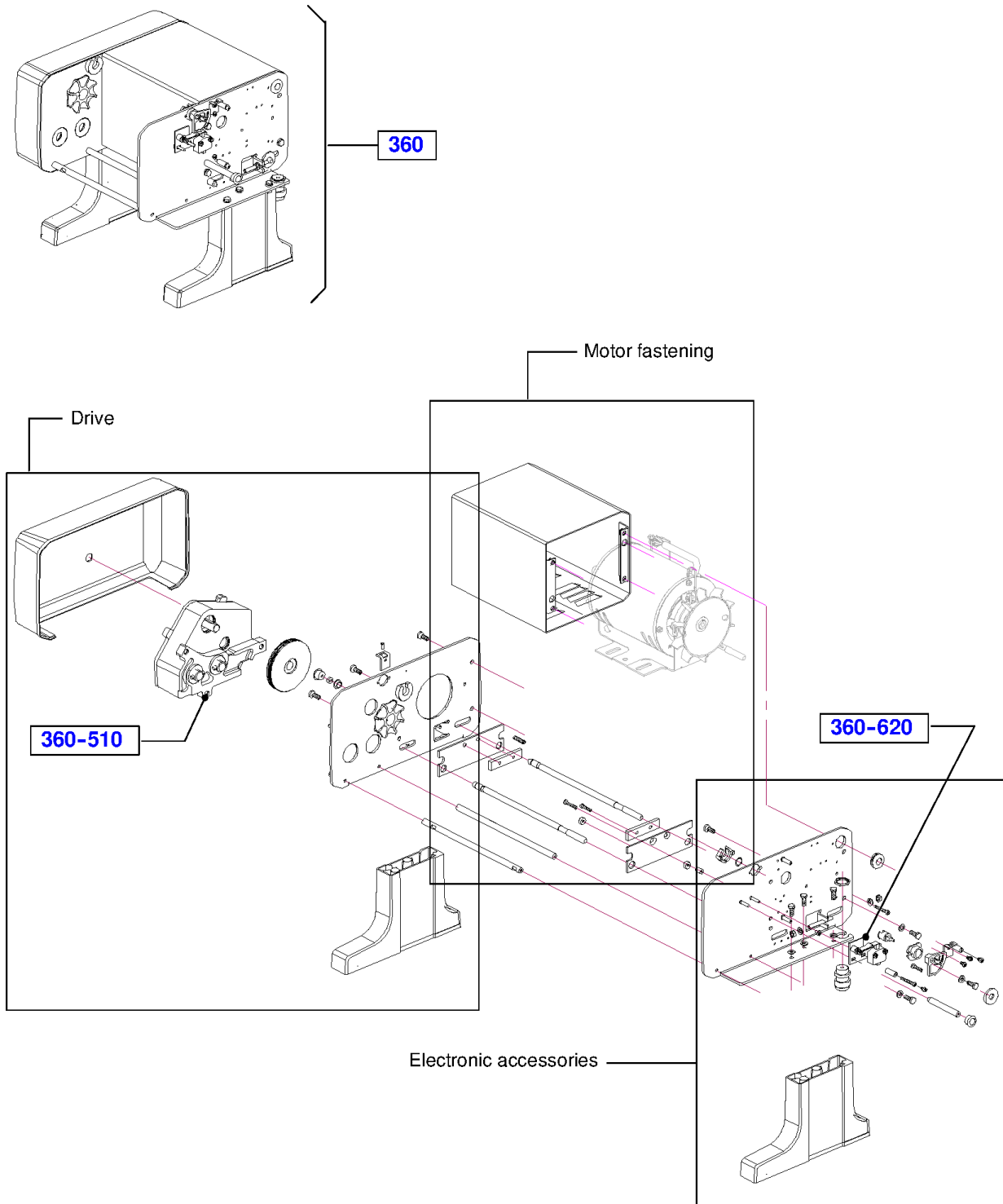
Packaging S111 infeed chute



Infeed chute steaker

Item	Material No.	Qty	Material description	available for order	ear part	acomm. sp. part	etr. relevance
282	60734528300	001	INFEED CHUTE STEAKER	✓			
282-110	60560800501	001	INTAKE CHUTE CPL:	✓			
282-110-1	60560801401	001	SIDE PART RH	✓			
282-110-5	60560801501	001	SIDE PART LH	✓			
282-110-10	50005320000	002	Flange Bush JFM 14x16x12	✓			
282-110-15	60560800601	001	INTERLOCKING COVER WELD.	✓			
282-110-20	60560801000	010	ROLLER	✓			
282-110-22	38016273000	020	GRO. BALL BEARING SS688- 2Z GPR J G508 CP	✓			
282-110-25	60560801200	014	SHAFT	✓			
282-110-27	57773830000	020	RETAINING RING DIN 471- 8X0,8	✓			
282-110-30	56972510000	026	Mushroom head screw M4x12-A2-70	✓			
282-110-32	57697480000	002	Cylinder screw DIN84 M4x10-A2-70	✓			
282-111	60734900500	001	PACKAGING S111 INFEED CHUTE	✓			
9903	95972840000	001	SCREW SEALING ADHESIVE LOCTITE 648 10ML	✓			

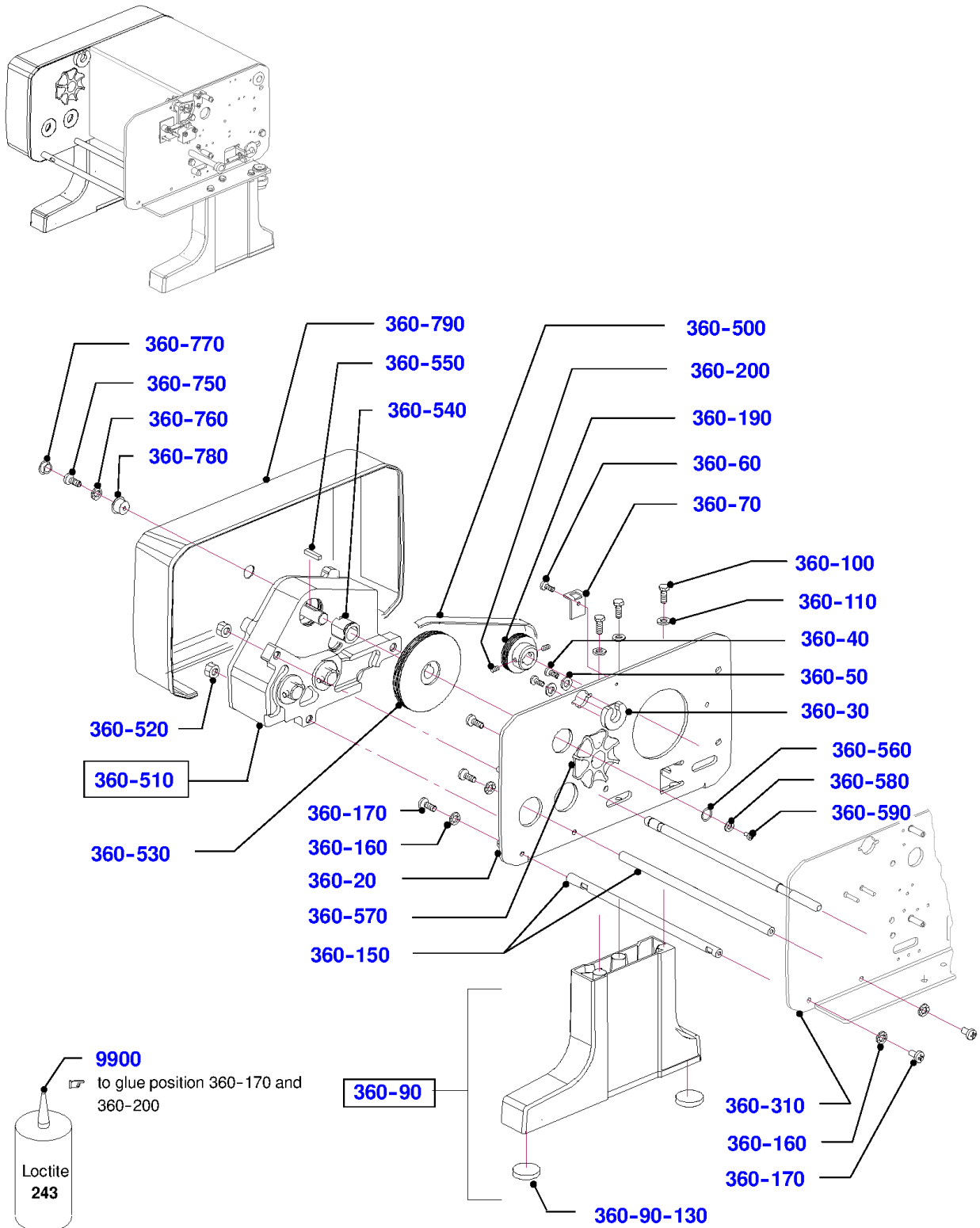
Overview



Overview

Item	Material No.	Qty	Material description	available for order	ear part	acomm. sp. part	etr. relevance
360	60734536100	001	BASIC PARTS S121	✓			
360-510	60730100000	001	GEAR UNIT COMPLETE	✓			
360-620	60730003700	001	SWITCH PLATE PREASSEMBLED	✓			

Drive

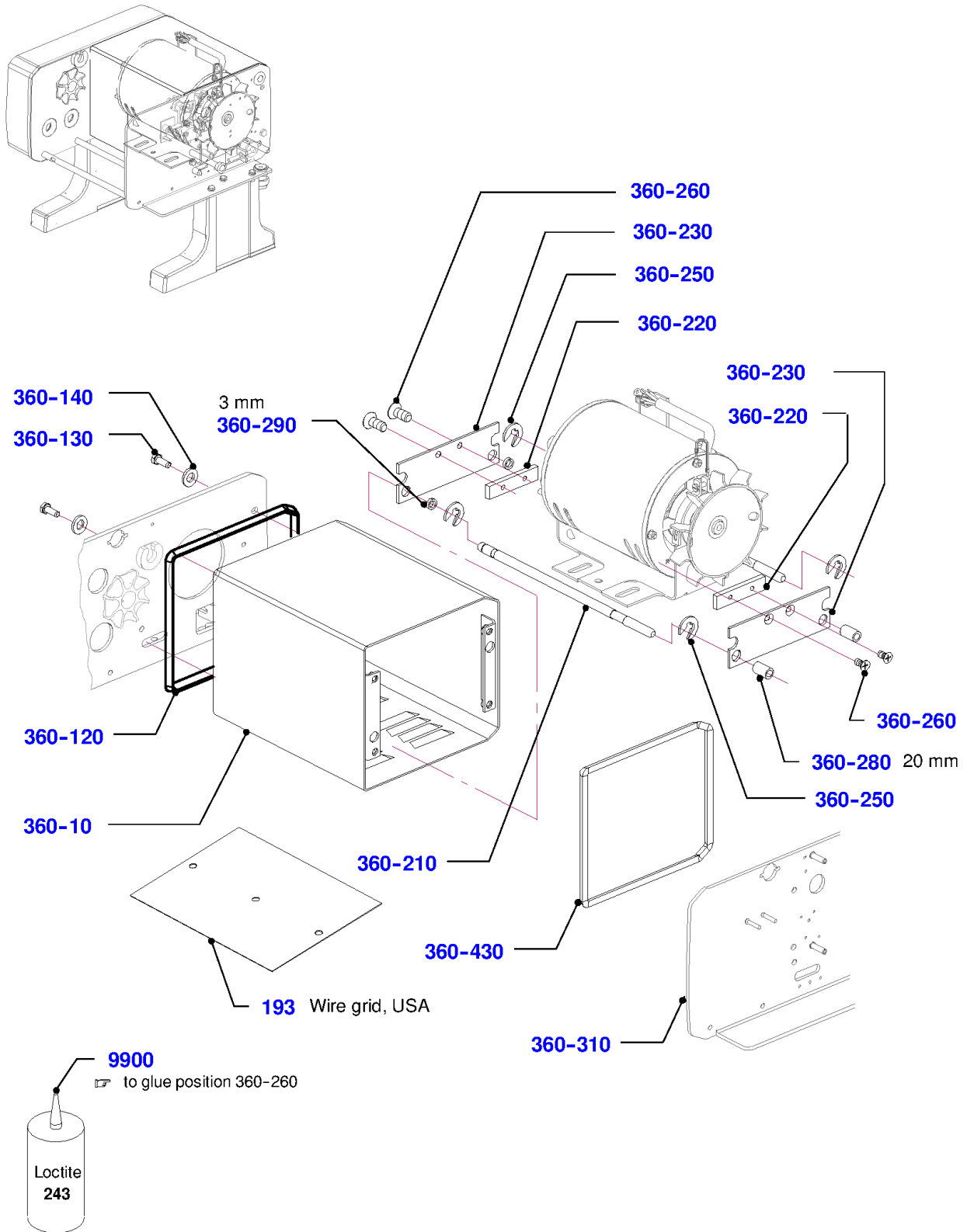


320_0021 20181123

Drive

Item	Material No.	Qty	Material description	available for order	ear part	acomm. sp. part	etr. relevance
360-20	60730010303	001	SIDE WALL LH	✓			
360-30	60730004200	001	BEARING BUSHING LEFT	✓			
360-40	57464180000	002	Plastic screw 3x10-A2 -T10	✓			
360-50	56739030000	002	Unterlegscheibe ISO7089-3-A2	✓			
360-60	56806450000	001	Oval-head screw ISO14583 M4x8-A2-70-T20	✓			
360-70	60730007400	001	FASTENING ANGLE PLATE	✓			
360-90	60730005800	001	FOOT COMPL.	✓			
360-90-130	60730002401	002	GUARD PLATE	✓			
360-100	57431160000	003	Hexagon screw DIN933 M6x16 A2-70	✓			
360-110	56739060000	003	Unterlegscheibe ISO7089-6-A2	✓			
360-150	60730001100	002	ROD	✓			
360-160	57758500000	004	Crown gear DIN6797-A 5,3-Fst	✓			
360-170	57730170000	004	Oval-head screw ISO14583 M5x10-A2-70-T25	✓			
360-190	60730000601	001	BELT PULLEY	✓			
360-200	56083970000	002	Set screw DIN916 M6x8-45H	✓			
360-310	60730011104	001	SIDE WALL RH PREASSY.	✓			
360-500	38069451000	001	V- RIBBED BELT 4PJ508	✓			
360-510	60730100000	001	GEAR UNIT COMPLETE	✓			
360-520	56456600000	003	Hexagon nut DIN934-M6-A2	✓			
360-530	60730006001	001	BELT PULLEY	✓			
360-540	60730005700	001	CLAMPING SLEEVE	✓			
360-550	60730005900	001	WEDGE	✓			
360-560	50002070000	001	O- SEAL 14.1X1.6	✓			
360-570	60730005400	001	HANDWHEEL	✓			
360-580	60730005300	001	CENTERING DISK	✓			
360-590	56836340000	001	COUNTER SUNK SCREW DIN 966- M4X12- A2- 70	✓			
360-750	56806430000	002	Oval-head screw DIN7985 M4x10-A2-70	✓			
360-760	57767040000	002	Spring lock washer DIN128-A4-FSt	✓			
360-770	60730007201	002	CAP	✓			
360-780	40220000201	002	Protective plug 16x12,2x5,2-PC	✓			
360-790	60730010701	001	PROTECTIVE HOOD LH	✓			
9900	95972940000	001	SCREW SEALING LOCTITE 242 10ML	✓			

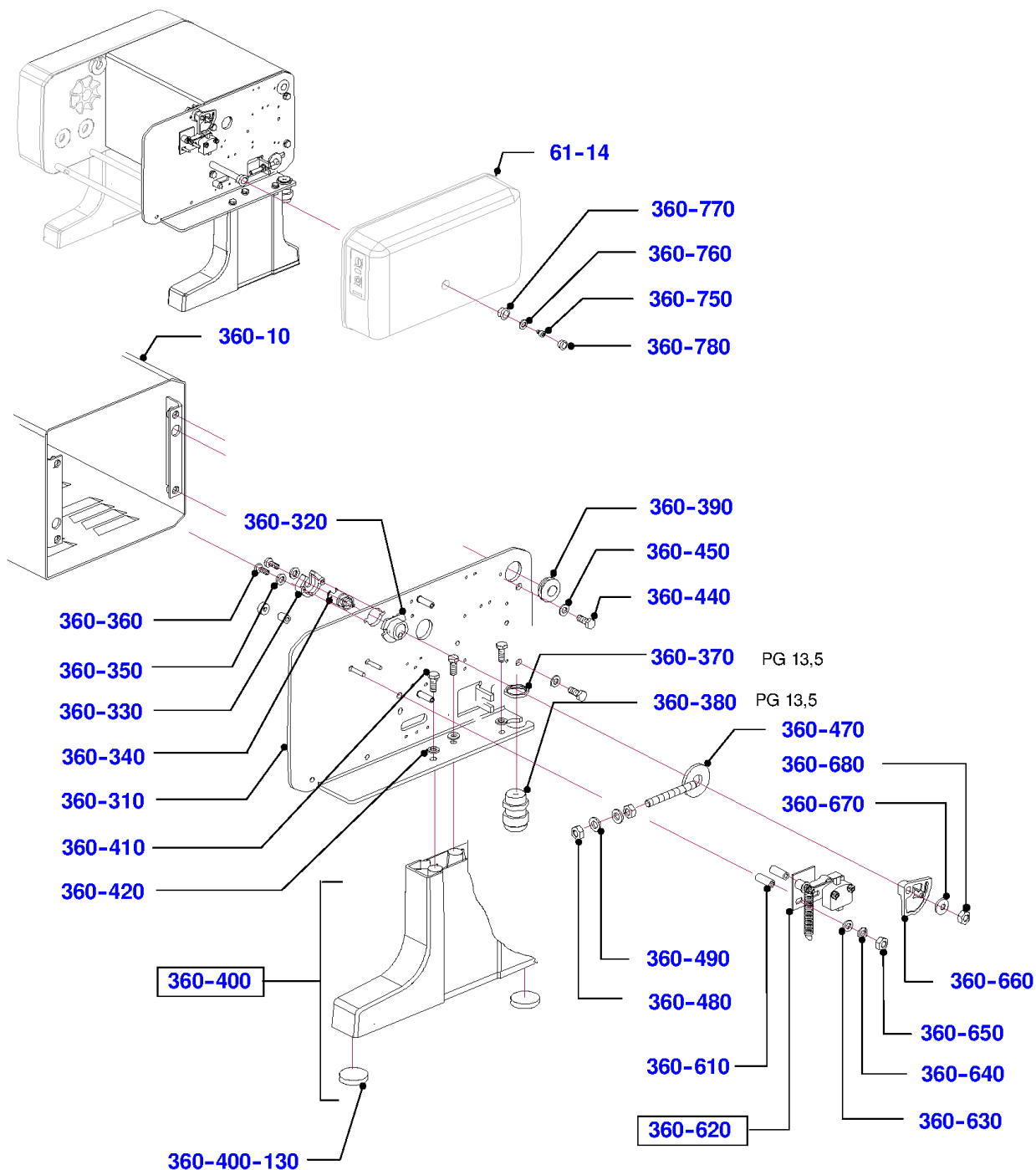
Motor fastening



Motor fastening

Item	Material No.	Qty	Material description	available for order	ear part	acomm. sp. part	etr. relevance
193	60730010200	001	WIRE GRID (USA)	✓			
360-10	60730010500	001	MACHINE HOUSING ASSY.	✓			
360-120	60730008101	001	SILICON PROFILE	✓			
360-130	57431160000	004	Hexagon screw DIN933 M6x16 A2-70	✓			
360-140	56739060000	004	Unterlegscheibe ISO7089-6-A2	✓			
360-210	60730001203	002	SHAFT	✓			
360-220	60730001601	002	NUT PLATE	✓			
360-230	60730001003	002	MOTOR PLATE	✓			
360-250	57750900000	006	RETAINING WASHER DIN 6799 9	✓			
360-260	57451640000	004	COUNTERSINK SCREW DIN 965- M6X12 STAINLESS STEEL	✓			
360-280	60730009801	002	SILICONE TUBE L=20MM (RIGHT)	✓			
360-290	60730009900	002	SILICONE TUBE L=3MM	✓			
360-310	60730011104	001	SIDE WALL RH PREASSY.	✓			
360-430	60730008101	001	SILICON PROFILE	✓			
9900	95972940000	001	SCREW SEALING LOCTITE 242 10ML	✓			

Electronic accessories



320_0024 20181121

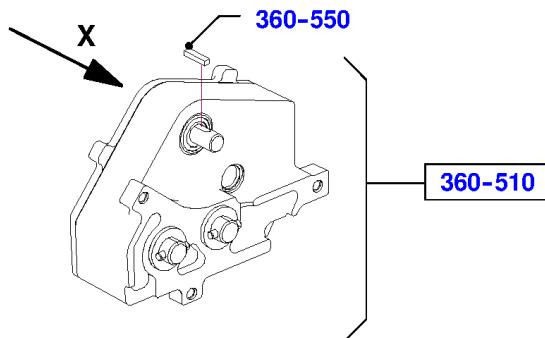
Electronic accessories

Item	Material No.	Qty	Material description	available for order	ear part	acomm. sp. part	etr. relevance
61-14	60730010603	001	PROTECTIVE HOOD RH	✓			
360-10	60730010500	001	MACHINE HOUSING ASSY.	✓			
360-310	60730011104	001	SIDE WALL RH PREASSY.	✓			
360-320	60730006700	001	BUSHING (NO BEARINGS)	✓			
360-330	60730006800	001	COVER	✓			
360-340	60730004301	001	BOLT	✓			
360-350	56739030000	002	Unterlegscheibe ISO7089-3-A2	✓			
360-360	57464180000	002	Plastic screw 3x10-A2 -T10	✓			
360-370	71161130000	001	NUT M PG 13.5	✓			
360-380	71010630000	001	CABLE GLAND PG13.5 PA6	✓			
360-390	71051120000	001	Lead-Through Sleeve 02520058010	✓			
360-400	60730005800	001	FOOT COMPL.	✓			
360-400-130	60730002401	002	GUARD PLATE	✓			
360-410	57431160000	003	Hexagon screw DIN933 M6x16 A2-70	✓			
360-420	56739060000	003	Unterlegscheibe ISO7089-6-A2	✓			
360-440	57431160000	004	Hexagon screw DIN933 M6x16 A2-70	✓			
360-450	56739060000	004	Unterlegscheibe ISO7089-6-A2	✓			
360-470	60730004501	002	TENSIONER	✓			
360-480	56456600000	004	Hexagon nut DIN934-M6-A2	✓			
360-490	56739060000	004	Unterlegscheibe ISO7089-6-A2	✓			
360-610	60730004700	002	SPACER RING	✓			
360-620	60730003700	001	SWITCH PLATE PREASSEMBLED	✓			
360-630	56739040000	004	Unterlegscheibe ISO7089-4-A2	✓			
360-640	57767040000	004	Spring lock washer DIN128-A4-FSt	✓			
360-650	56456400000	002	Hexagon nut DIN934-M4-A2	✓			
360-660	60730009500	001	SEGMENTAL DISK PREASSEMBLED	✓			
360-670	56765040000	001	Unterlegscheibe DIN9021-4-A2	✓			
360-680	56456400000	001	Hexagon nut DIN934-M4-A2	✓			
360-750	56806430000	002	Oval-head screw DIN7985 M4x10-A2-70	✓			
360-760	57767040000	002	Spring lock washer DIN128-A4-FSt	✓			
360-770	60730007201	002	CAP	✓			
360-780	40220000201	002	Protective plug 16x12,2x5,2-PC	✓			

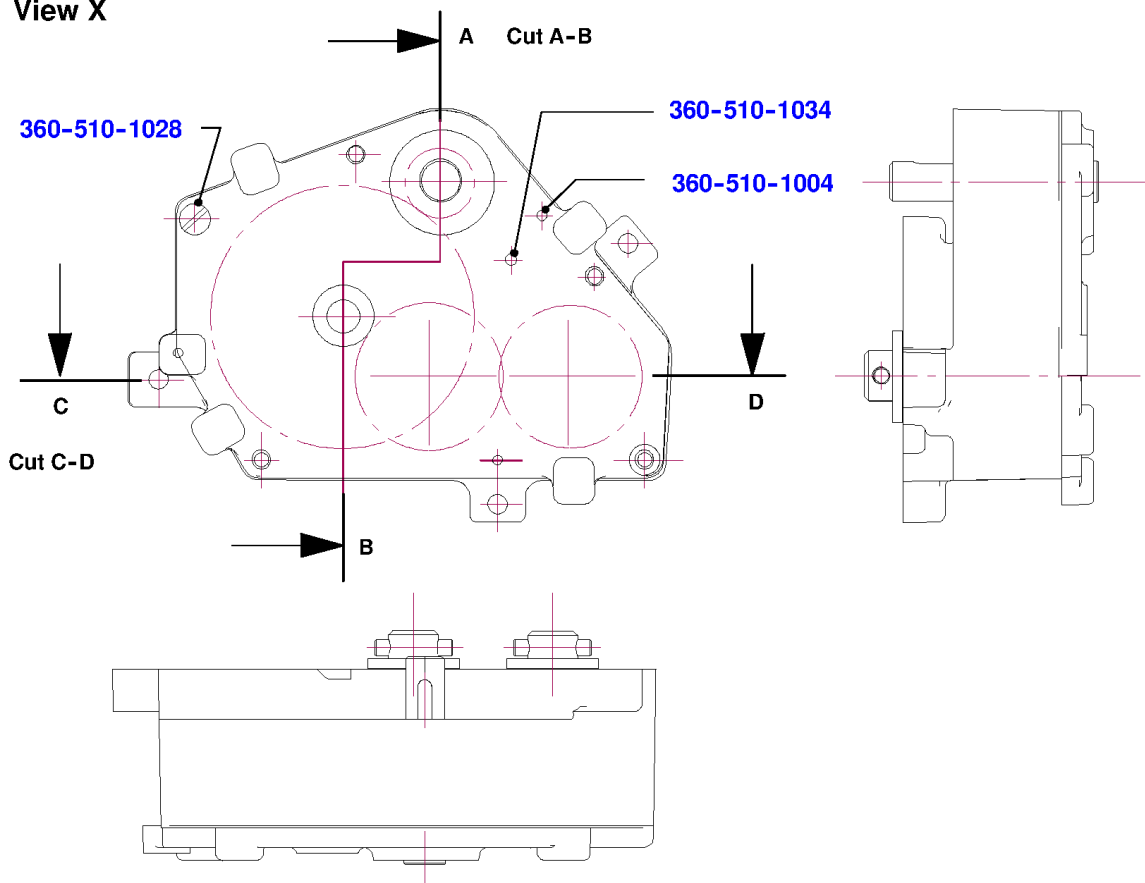
Gear unit

Gear unit complete

Gear unit complete



View X



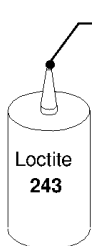
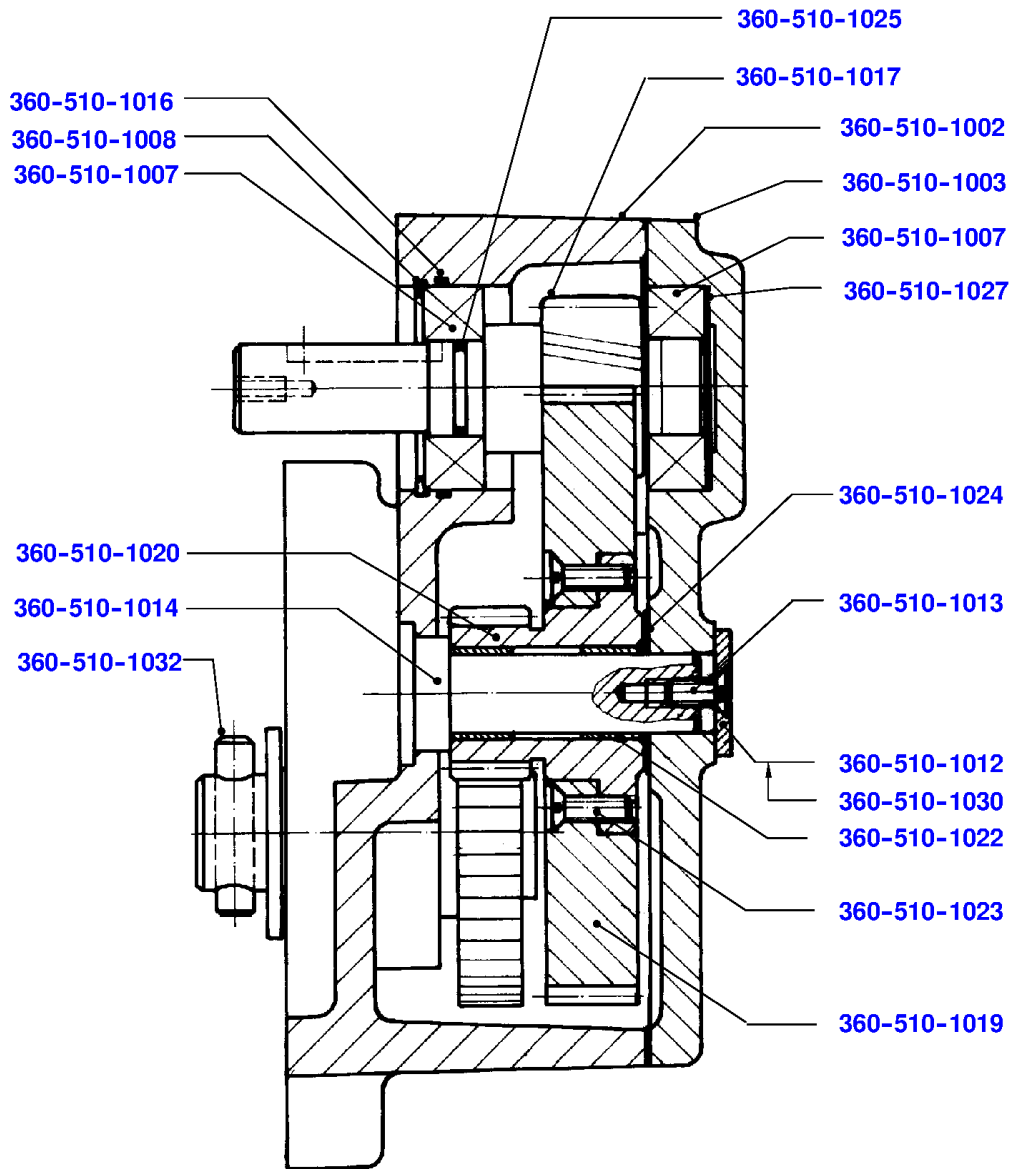
Gear unit

Item	Material No.	Qty	Material description	available for order	ear part	acomm. sp. part	etr. relevance
360-510	60730100000	001	GEAR UNIT COMPLETE	✓			
360-510-1004	56185350000	002	PARALLEL PIN DIN 7 M6 6X10- ST	✓			
360-510-1028	57747340000	005	SOCKET HEAD SCREW DIN 7984- M6X16- 8.8	✓			
360-510-1034	50005990000	001	FILTER PLUG 80M 4X6	✓			
360-550	60730005900	001	WEDGE	✓			
9900	95972940000	001	SCREW SEALING LOCTITE 242 10ML	✓			

Gear unit

Gear unit complete - Cut A-B

Gear unit complete - Cut A-B



9900

to glue position 360-510-1013, 360-510-1023, 360-510-1032 and 360-510-1014



360-510-1029



360-510-1030

for sealing position 360-510-1012 and 360-510-1003

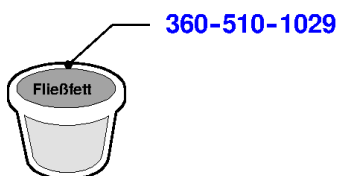
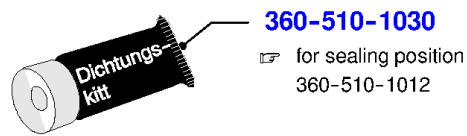
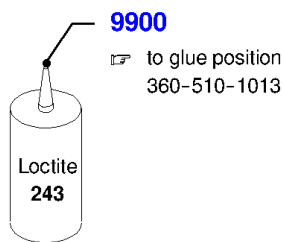
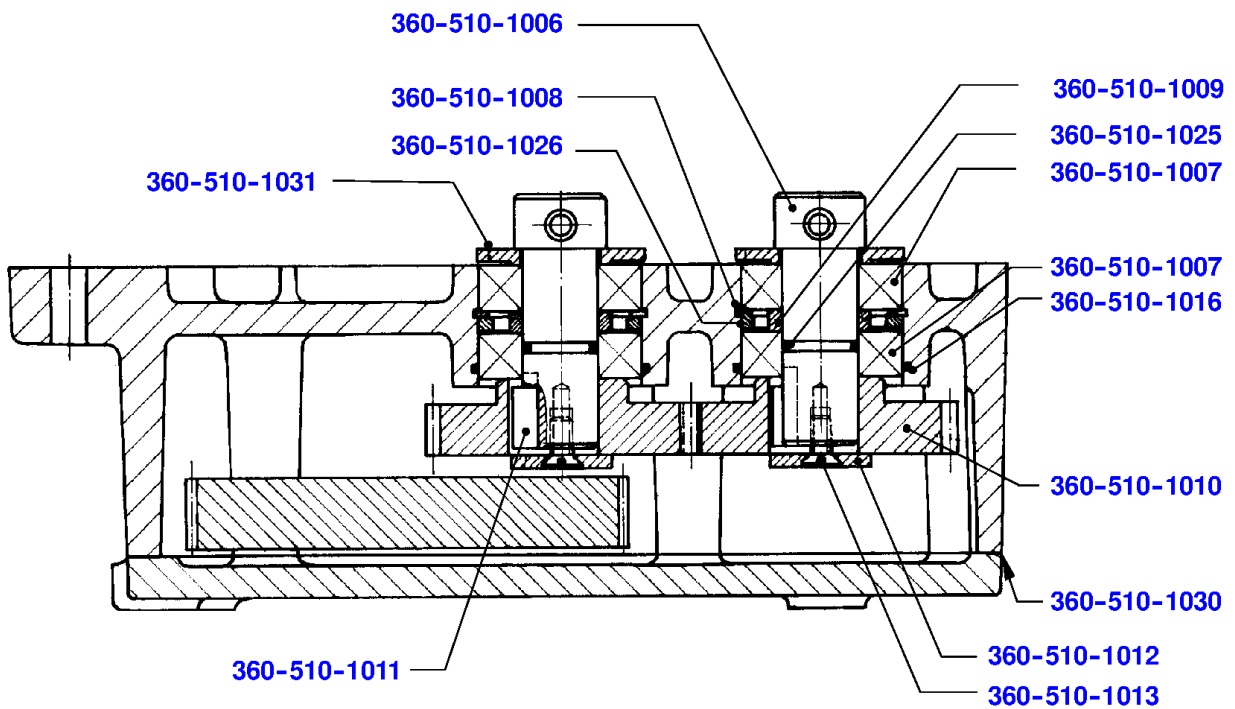
Gear unit

Item	Material No.	Qty	Material description	available for order	gear part	recomm. sp. part	intr. relevance
360-510-1002	60730100100	001	GEAR UNIT HOUSING RE- WORKED	✓			
360-510-1003	60730100200	001	GEAR COVER	✓			
360-510-1007	56360920000	006	GROOVED BALL BEARING DIN 625 6002- 2RS	✓			
360-510-1008	57775320000	003	Retaining ring DIN472-32x1,2	✓			
360-510-1012	60730005300	003	CENTERING DISK	✓			
360-510-1013	57451190000	003	COUNTERSUNK SCREW DIN 965- M4X10- 4.8	✓			
360-510-1014	60730101300	001	SHAFT	✓			
360-510-1016	50003550000	003	O- SEAL 32X1,5	✓			
360-510-1017	60730100702	001	PINION	✓			
360-510-1019	60730100401	001	HELICAL GEAR WHEEL Z60 M1,5	✓			
360-510-1020	60730100600	001	TOOTHED WHEEL SPUR- TOOTHED	✓			
360-510-1022	38037468000	002	Plain bearing 12x14x10	✓			
360-510-1023	56836340000	004	COUNTER SUNK SCREW DIN 966- M4X12- A2- 70	✓			
360-510-1024	38047077000	005	WASHER	✓			
360-510-1025	50002170000	003	O-Seal 12x1,5	✓			
360-510-1027	50001680000	001	DISC SPRING 31.7X20.4X0.35	✓			
360-510-1029	96000830000	000	FLUID GREASE F.L.G 3- 1/H1	✓			
360-510-1030	95944130000	000	Putty Epple 22 100ml	✓			
360-510-1032	60730102200	002	PIN	✓			
9900	95972940000	001	SCREW SEALING LOCTITE 242 10ML	✓			

Gear unit

Gear unit complete - Cut C-D

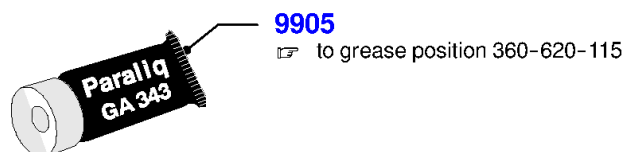
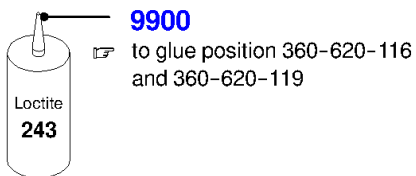
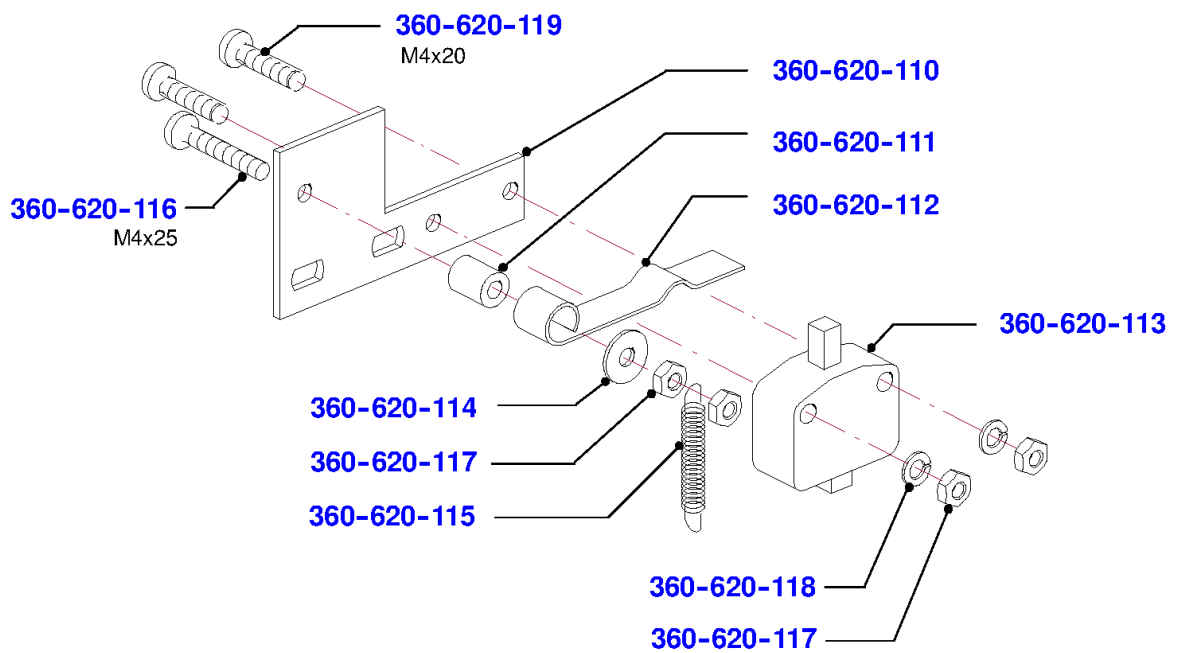
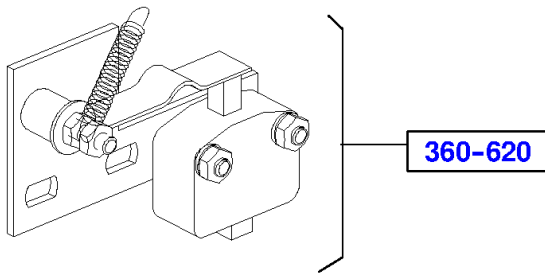
Gear unit complete - Cut C-D



Gear unit

Item	Material No.	Qty	Material description	available for order	gear part	acomm. sp. part	etr. relevance
360-510-1006	60730101700	002	DRIVE SHAFT	✓			
360-510-1007	56360920000	006	GROOVED BALL BEARING DIN 625 6002- 2RS	✓			
360-510-1008	57775320000	003	Retaining ring DIN472-32x1,2	✓			
360-510-1009	60730101100	002	INTERMEDIATE RING	✓			
360-510-1010	60730100801	002	SPUR GEAR	✓			
360-510-1011	60730101900	002	KEY	✓			
360-510-1012	60730005300	003	CENTERING DISK	✓			
360-510-1013	57451190000	003	COUNTERSUNK SCREW DIN 965- M4X10- 4.8	✓			
360-510-1016	50003550000	003	O- SEAL 32X1,5	✓			
360-510-1025	50002170000	003	O-Seal 12x1,5	✓			
360-510-1026	60730102100	002	DISTANCE WASHER	✓			
360-510-1029	96000830000	000	FLUID GREASE F.L.G 3- 1/H1	✓			
360-510-1030	95944130000	000	Putty Epple 22 100ml	✓			
360-510-1031	60730102000	002	SPACER	✓			
9900	95972940000	001	SCREW SEALING LOCTITE 242 10ML	✓			

Switch plate preassembled



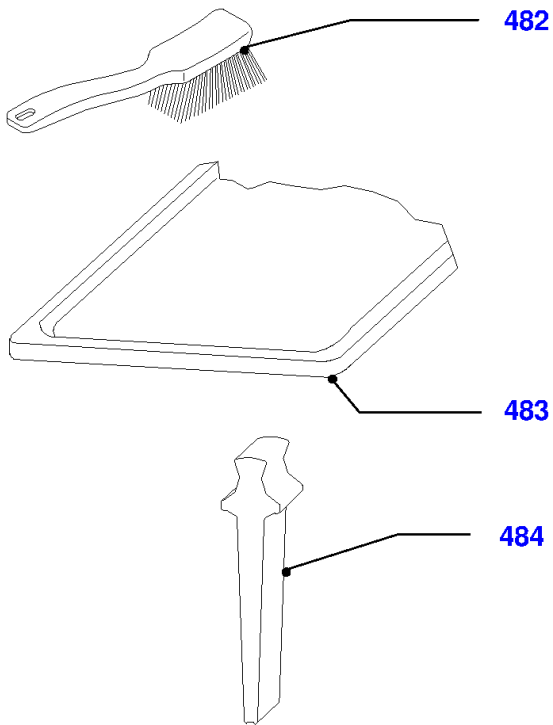
Switch plate preassembled

Item	Material No.	Qty	Material description	available for order	ear part	acomm. sp. part	etr. relevance
360-620	60730003700	001	SWITCH PLATE PREASSEMBLED	✓			
360-620-110	60730004901	001	SWITCH PLATE	✓			
360-620-111	60730005101	001	SPACER BUSHING	✓			
360-620-112	60730005001	001	SWITCH SPRING	✓			
360-620-113	71026960000	001	PRESSURE SWITCH SW UL	✓		✓	
360-620-114	56765040000	001	Unterlegscheibe DIN9021-4-A2	✓			
360-620-115	50998670000	001	TENSION SPRING 0,8X7X26,4	✓			
360-620-116	57451360000	001	Oval-head screw ISO14583 M4x25-A2-70-T20	✓			
360-620-117	56456400000	004	Hexagon nut DIN934-M4-A2	✓			
360-620-118	57767040000	002	Spring lock washer DIN128-A4-FSt	✓			
360-620-119	56805470001	002	OVAL- HEAD SCREW M 4X20	✓			
9900	95972940000	001	SCREW SEALING LOCTITE 242 10ML	✓			
9905	95972670002	100	Loctite 7091 1000ml	✓			

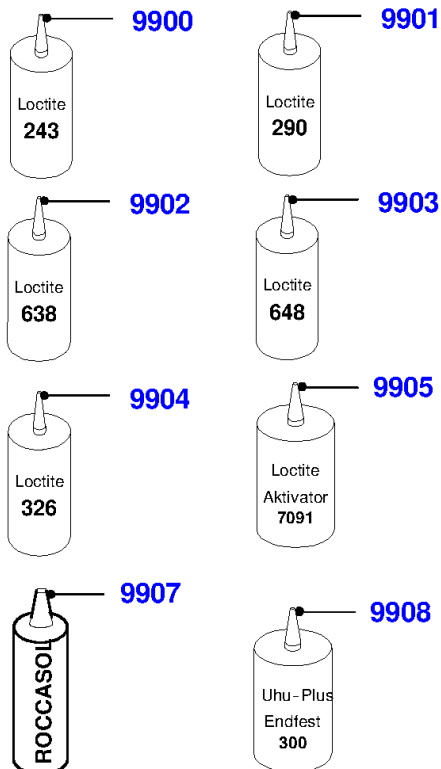
Plates

Item	Material No.	Qty	Material description	available for order	ear part	acomm. sp. part	etr. relevance
60-5	38091423001	001	LABEL CABLING S111 220- 240V	✓			
60-5	38091421001	001	LABEL CABLING S111 100V/120V	✓			
60-5	60734801002	001	ADH.CIR.DIAGR. AC 230V S111 EURO	✓			
60-5	60734801102	001	ADH.CIR.DIAGR. AC LED S111 120V UL/CS	✓			
60-5	60734802100	001	ADH.CIR.DIAGR. AC LED S111 100V/50Z JAP	✓			
141	67501214700	001	warning plate USA	✓			
145	56255060000	004	ROUND- HEAD NAIL DIN 1476- 3X6- AL	✓			
173	60544802703	001	RATING PLATE NEUTRAL 74X37	✓			
174	60734800301	001	NAMEPLATE S111 US	✓			
174	60734800501	001	NAMEPLATE S111 CAN	✓			
175	67509001603	001	NAMEPLATE S 111 PLUS CE	✓			
175	67509001703	001	NAMEPLATE S 111 PLUS 220V 60HZ	✓			
175	67509006503	001	NAMEPLATE S 111 PLUS 240V 50HZ	✓			
176	60734800502	001	NAMEPLATE S 111 120V 60HZ	✓			
188	47509010301	001	REFERENCE PLATE FLEM	✓			
188	47509020700	001	REFERENCE PLATE RUSS	✓			
188	47509020800	001	REFERENCE PLATE GREE	✓			
188	47509021000	001	REFERENCE PLATE CZECH	✓			
188	47509020900	001	REFERENCE PLATE SERBOCROAT	✓			
188	47509021100	001	REFERENCE PLATE HUN	✓			
188	47509000701	001	REFERENCE PLATE ITA	✓			
188	47509000601	001	REFERENCE PLATE ESP	✓			
188	47509010201	001	REFERENCE PLATE PORT	✓			
188	47509001301	001	REFERENCE PLATE DNK	✓			
188	47509020500	001	REFERENCE PLATE SWE	✓			
188	47509020600	001	REFERENCE PLATE NDL	✓			
188	47509000301	001	REFERENCE PLATE GER	✓			
188	47509000401	001	REFERENCE PLATE ENG	✓			
188	47509000501	001	REFERENCE PLATE FRA	✓			
280-2	67501171201	001	BIZERBA NAMEPLATE L87 H18	✓			
480	38014989000	001	Label "See instruction manual"	✓			
485	60730009400	001	OPERATING NOTE S 111 / S 121 USA/FRA	✓			
486	38017656000	001	Warning plate	✓			

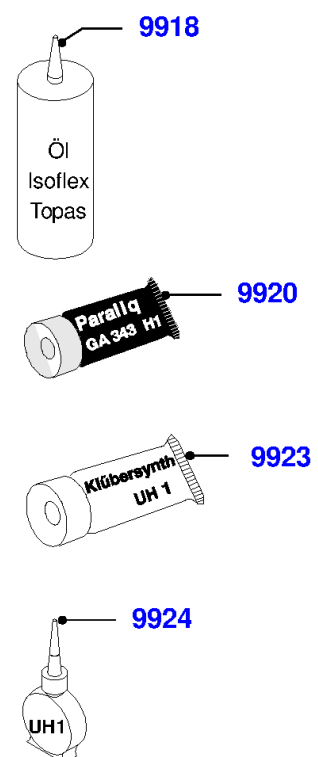
Accessories - Hand brush, gastro standardized tray, pusher, adhesive, lubricant



Adhesive



Lubricant

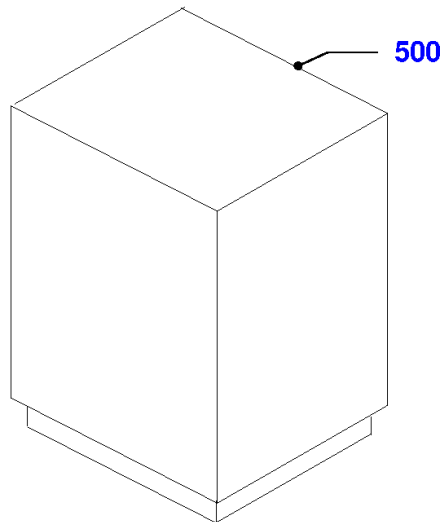


Accessories - Hand brush, gastro standardized tray, pusher, adhesive, lubricant

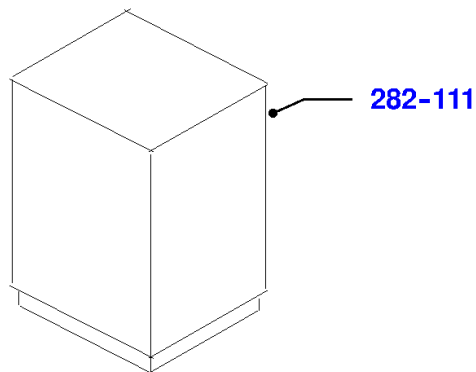
Item	Material No.	Qty	Material description	available for order	ear part	acomm. sp. part	etr. relevance
482	50002910000	001	Hand Brush 6-Row 110X290X30	✓			
483	50725420000	001	GASTRO STANDARDIZED TRAY	✓			
484	60730008200	001	PUSHER	✓			
9900	95972940000	001	SCREW SEALING LOCTITE 242 10ML	✓			
9901	95972990002	050	Loctite 290	✓			
9902	95973900000	010	LOCTITE 638 10ML 142619	✓			
9903	95972840000	001	SCREW SEALING ADHESIVE LOCTITE 648 10ML	✓			
9904	95972660002	050	Loctite 326 50ml	✓			
9905	95972670002	100	Loctite 7091 1000ml	✓			
9907	95972810002	001	Roccasol 220 SI / 310ml	✓			
9908	95943850002	001	UHU- PLUS ENDFEST 300	✓			
9918	96055040001	001	GREASE ISOFLEX TOPAS NB 5051	✓			
9920	94008900059	001	GREASE PARALIQ GA343 H1 25ML	✓			
9923	96055080000	025	Kluebersynth UH1 64-62/25kg	✓			
9924	96055050000	001	Lubricating Oil F.L.5 Oil UH1	✓			

Packaging - S111, infeed chute, feed pan

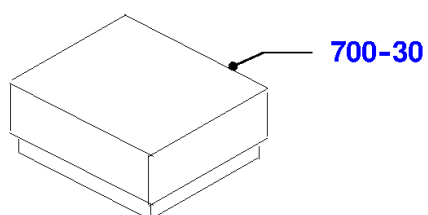
Packaging S111



Packaging S111 infeed chute



Packaging feed pan

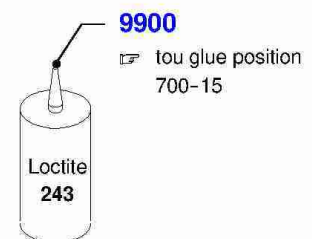
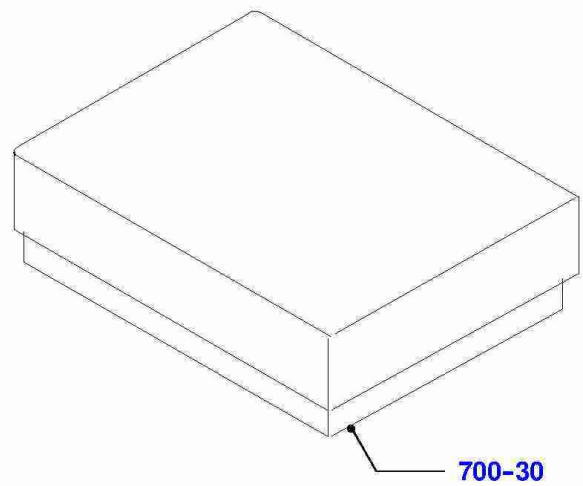
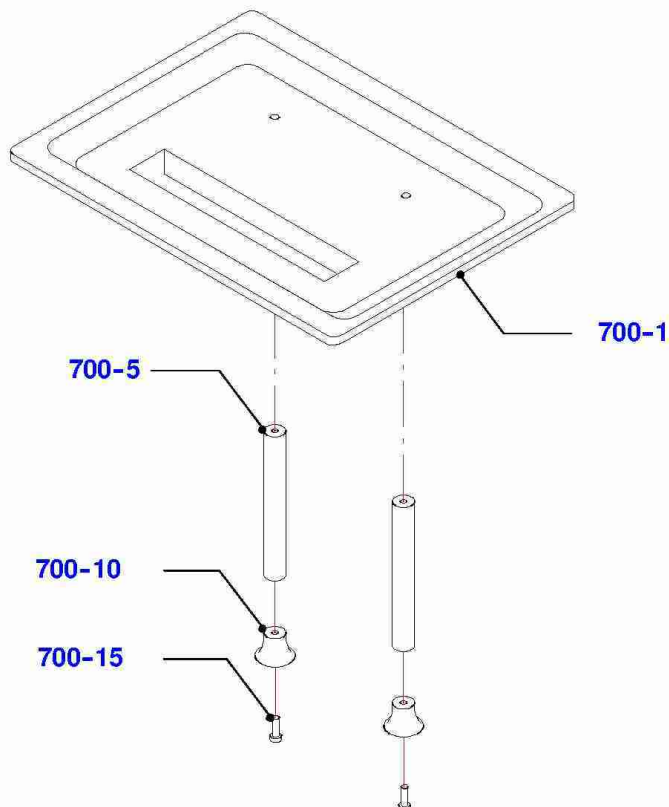
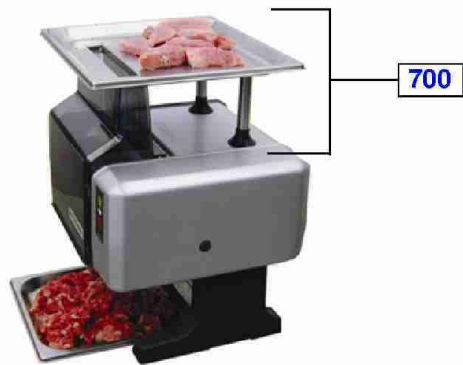


Packaging - S111, infeed chute, feed pan

Item	Material No.	Qty	Material description	available for order	ear part	acomm. sp. part	etr. relevance
282-111	60734900500	001	PACKAGING S111 INFEED CHUTE	✓			
500	60734900100	001	PACKAGING S- 111	✓			
700-30	60734901000	001	PACKAGING S- 111 FEED PAN	✓			

Feed pan

Feed pan compl. 2/3 Gr.

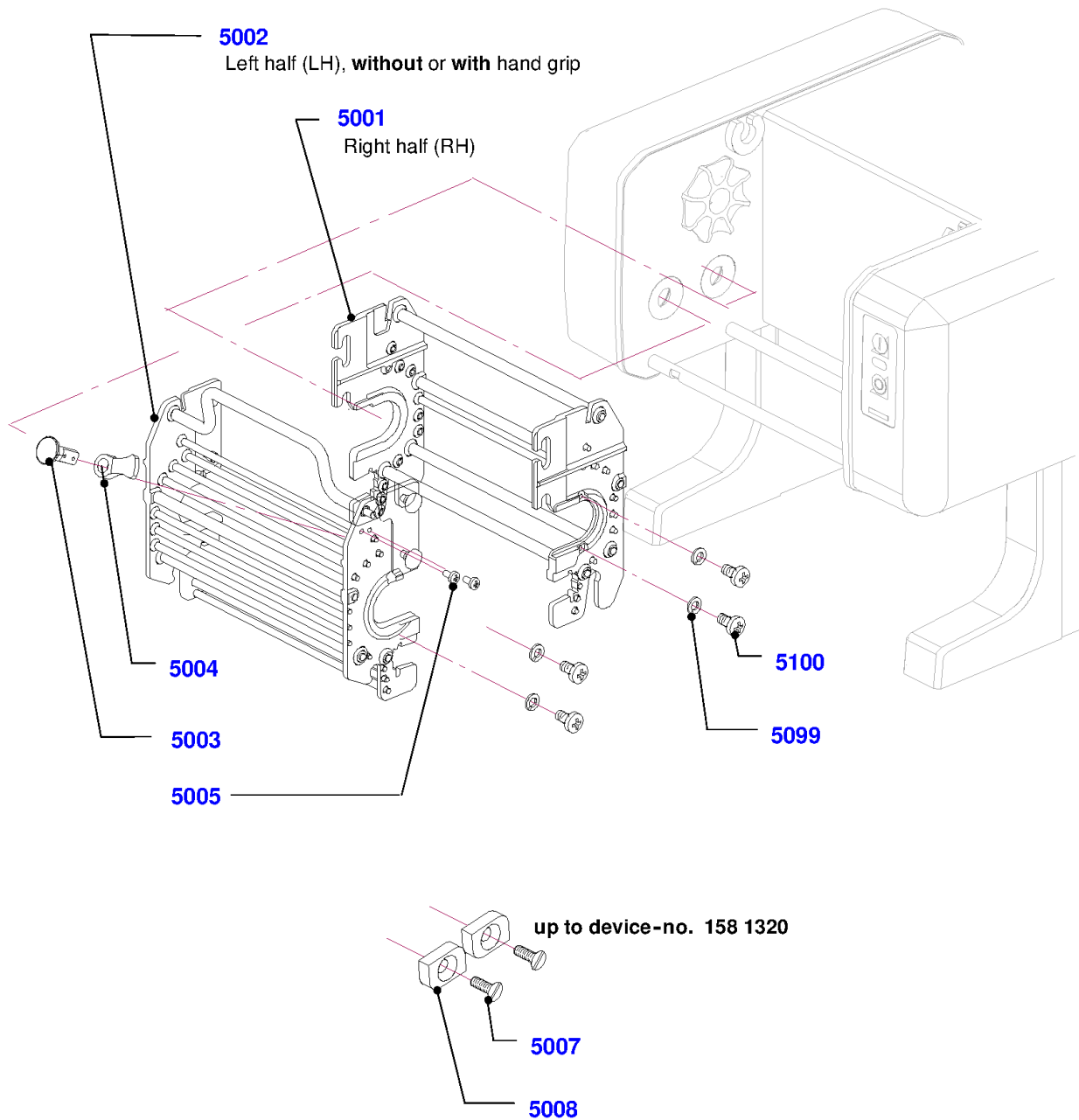


320_0040 20161121

Feed pan

Item	Material No.	Qty	Material description	available for order	ear part	acomm. sp. part	etr. relevance
700	60730003400	001	FEED PAN COMPL. 2/3 GR.	✓			
700-1	60730003500	001	TRAY 2/3 SIZES	✓			
700-5	60730003600	002	FOOT	✓			
700-10	60610000400	002	rubber foot	✓		✓	
700-15	57743440000	002	Cylinder screw DIN912 M6x25-A2-70	✓			
700-30	60734901000	001	PACKAGING S- 111 FEED PAN	✓			
9900	95972940000	001	SCREW SEALING LOCTITE 242 10ML	✓			

Bracket and fastening parts



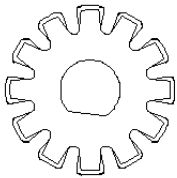
Plates (pos. 5008) and
countersunk screw (pos. 5007)
are no longer needed!

320_0042 20181121

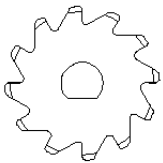
Bracket and fastening parts

Item	Material No.	Qty	Material description	available for order	ear part	acomm. sp. part	etr. relevance
5001	60730510901	001	BRACKET - RIGHT (FROM DEVICE- NO. 158 1321)	✓			
5002	60730511001	001	BRACKET LEFT (FROM DEVICE- NO. 158 1321)	✓			
5002	60730521000	001	BRACKET LEFT WITH HAND GRIP	✓			
5003	60730504101	001	BOLT	✓			
5004	60730504200	001	LOCKING DEVICE (FOR ALL INSERTS)	✓			
5005	56929120000	002	Pan head screw DIN85 M3x12-A2-70	✓			
5007	56923080000	002	COUNTER SUNK SCREW DIN 964- M4X8- A2- 70 (UP TO DEVICE- NO. 158 1320)	✓			
5008	60730506900	002	PLATE (UP TO DEVICE- NO. 158 1320)	✓			
5099	57767040000	004	Spring lock washer DIN128-A4-FSt	✓			
5100	56806410000	004	Oval-head screw DIN7985 M4x6-A2-70	✓			

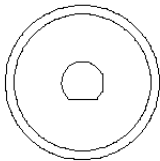
Overview



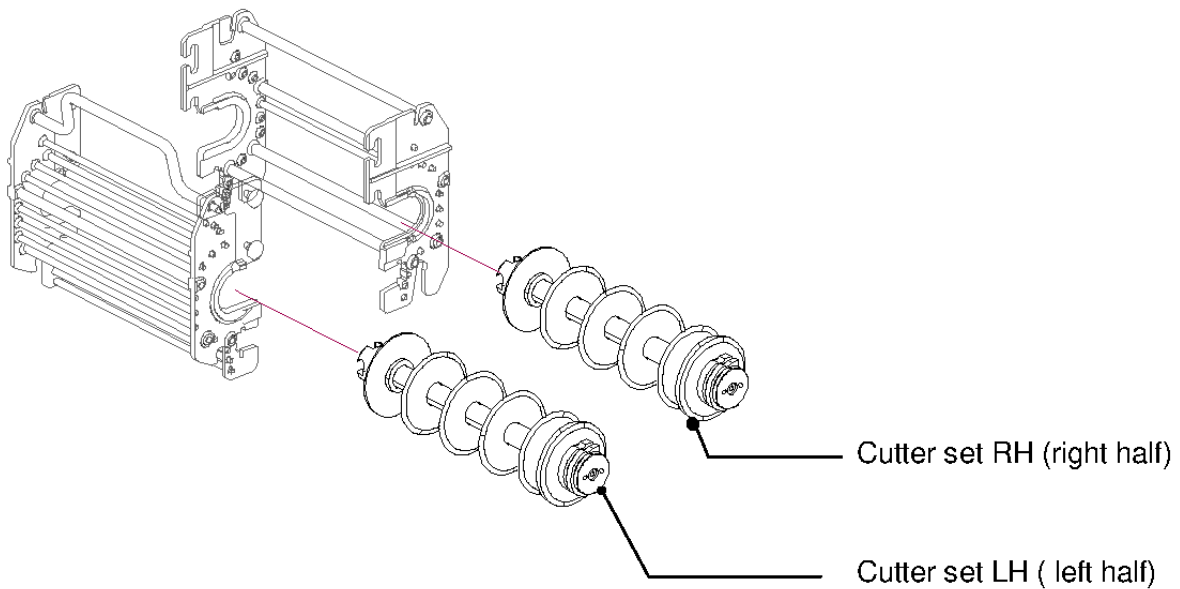
S011 Meat tendrizer (Steaker)



S012 Knitting (meat tendrizer and meat fasten)



S021 Insert strip cutter



320_0044 20181121

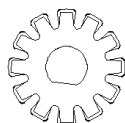
Overview

Item **Material No.** **Qty** **Material description**

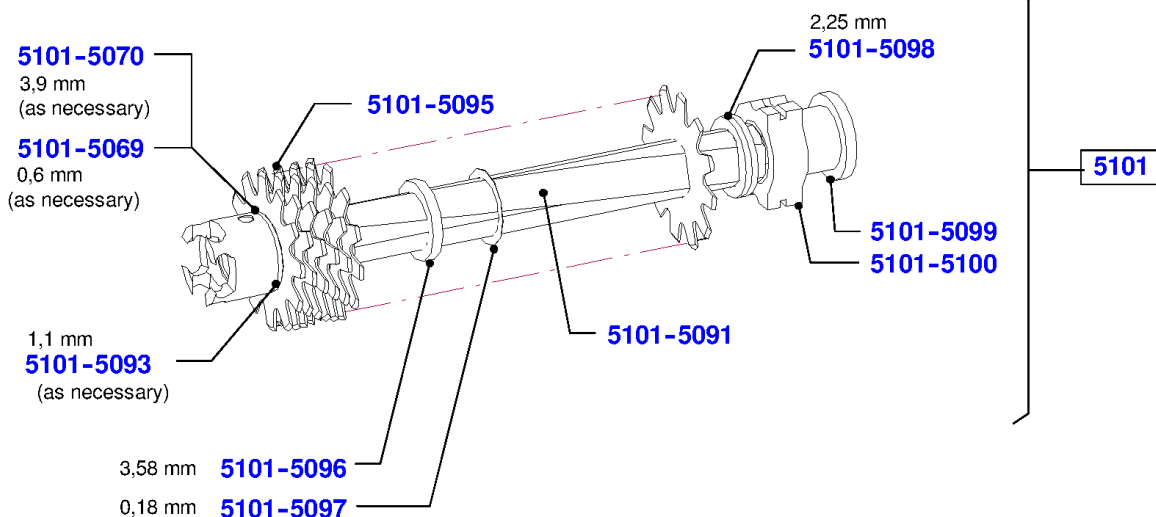
available for order
ear part
acomm. sp. part
etr. relevance

S 011 Meat tenderizer (Steaker)

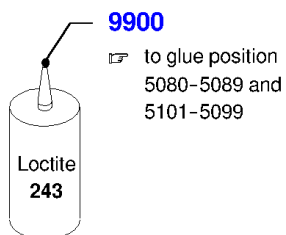
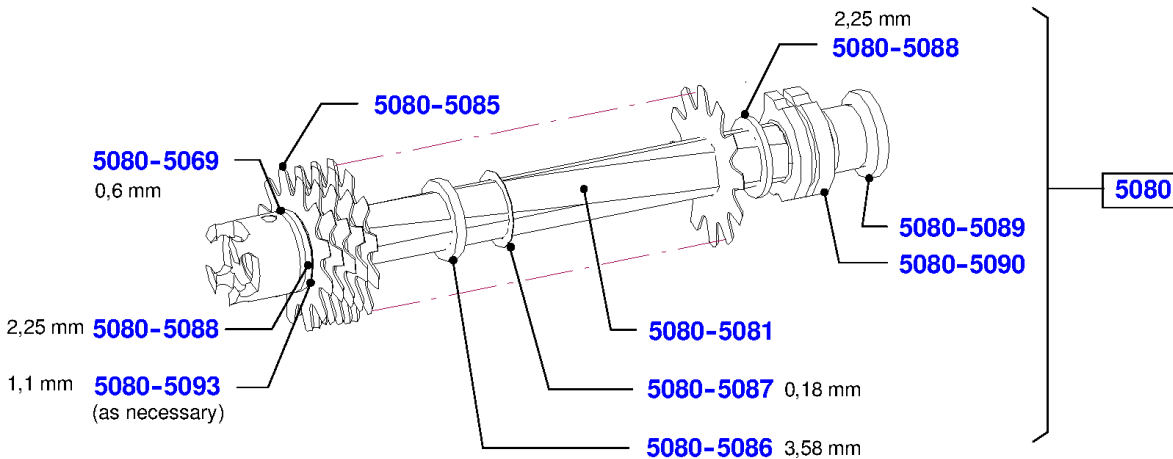
S011 Meat tenderizer (Steaker)



Blade roller RH S011 (right half)



Blade roller LH S011 (left half)

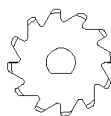


S 011 Meat tenderizer (Steaker)

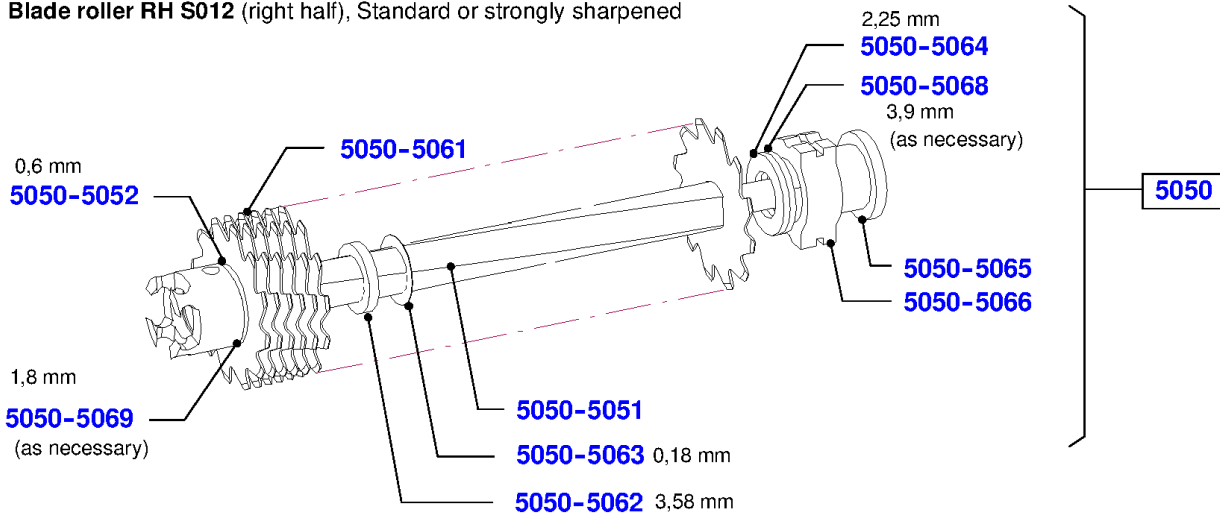
Item	Material No.	Qty	Material description	available for order	ear part	acomm. sp. part	etr. relevance
5080		001	BLADE ROLLER LEFT S 011 (MEAT TENDERIZER)				
5080-5069	60730504300	001	SPACER RING 0,6	✓			
5080-5081	60730505400	001	BLADE SHAFT LEFT/COMPL.	✓			
5080-5085	60700601004	041	BLADE DISK FOR TENDERIZER	✓			
5080-5086	38076974000	040	SPACER 3,58	✓			
5080-5087	60700601009	018	WASHER THICKNESS 0.18	✓			
5080-5088	60730701800	002	SPACER RING 2,25	✓			
5080-5089	60730500900	001	TWO- HOLE NUT	✓			
5080-5090	60730500501	001	PLASTIC RING	✓			
5080-5093	60730503300	001	SPACER RING 1,1	✓			
5101		001	BLADE ROLLER RH S 011 (MEAT TENDERIZER)				
5101-5069	60730504300	001	SPACER RING 0,6	✓			
5101-5070	60730509500	001	SPACER RING 3,9	✓			
5101-5091	60730505200	001	BLADE SHAFT RIGHT/COMPL.	✓			
5101-5093	60730503300	001	SPACER RING 1,1	✓			
5101-5095	60700601004	041	BLADE DISK FOR TENDERIZER	✓			
5101-5096	38076974000	040	SPACER 3,58	✓			
5101-5097	60700601009	020	WASHER THICKNESS 0.18	✓			
5101-5098	60730701800	002	SPACER RING 2,25	✓			
5101-5099	60730500101	001	TWO- HOLE NUT	✓			
5101-5100	60730500501	001	PLASTIC RING	✓			
9900	95972940000	001	SCREW SEALING LOCTITE 242 10ML	✓			

S 012 Knitting (meat tenderizer and meat fasten)

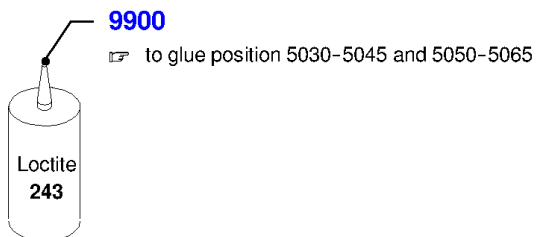
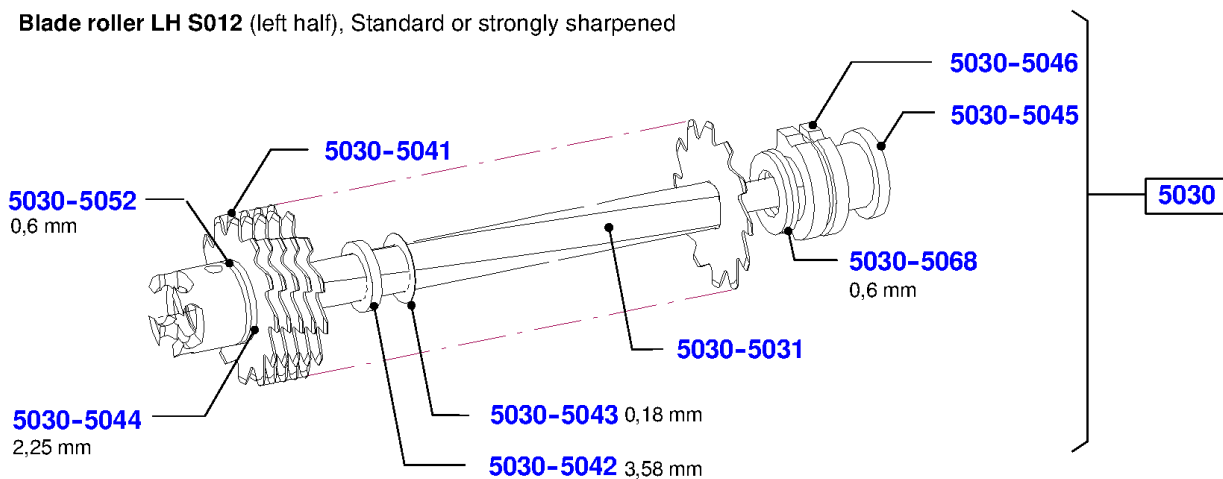
S012 Knitting-insert (Meat tenderizer and meat fasten)



Blade roller RH S012 (right half), Standard or strongly sharpened



Blade roller LH S012 (left half), Standard or strongly sharpened



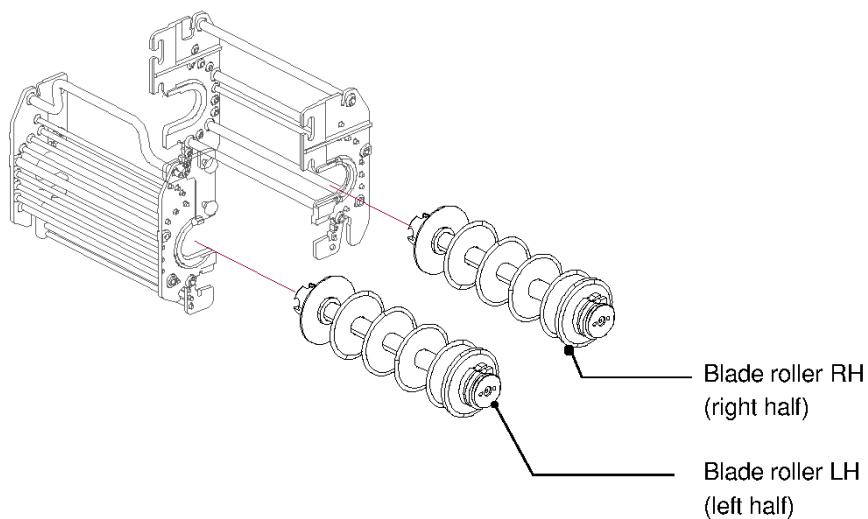
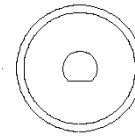
S 012 Knitting (meat tenderizer and meat fasten)

Item	Material No.	Qty	Material description	available for order	ear part	acomm. sp. part	etr. relevance
5030		001	BLADE ROLLER LEFT S 012 (KNITTING) BLADE ROLLER LEFT S 012 (KNITTING, STRONGLY SHAR				
5030-5031	60730504800	001	BLADE SHAFT LH COMPL.	✓			
5030-5041	60730501001	041	BLADE DISC S012 (KNITTING)	✓			
5030-5041	60730502700	041	BLADE DISK SO12 (KNITTING, STRONGLY SHARPENED)	✓			
5030-5042	60730500201	040	SPACER	✓			
5030-5043	60730500800	015	SPACER 0,18	✓			
5030-5044	60730502800	002	SPACER RING 2,25	✓			
5030-5045	60730500900	001	TWO- HOLE NUT	✓			
5030-5046	60730500501	001	PLASTIC RING	✓			
5030-5052	60730702600	001	SPACER RING 0,6	✓			
5030-5068	60730702600	001	SPACER RING 0,6	✓			
5050		001	BLADE ROLLER RH S 012 (KNITTING) BLADE ROLLER RH S 012 (KNITTING, STRONGLY SHARPE				
5050-5051	60730504701	001	BLADE SHAFT RH CPL.	✓			
5050-5052	60730702600	001	SPACER RING 0,6	✓			
5050-5061	60730501001	041	BLADE DISC S012 (KNITTING)	✓			
5050-5061	60730502700	041	BLADE DISK SO12 (KNITTING, STRONGLY SHARPENED)	✓			
5050-5062	60730500201	040	SPACER	✓			
5050-5063	60730500800	015	SPACER 0,18	✓			
5050-5064	60730502800	002	SPACER RING 2,25	✓			
5050-5065	60730500101	001	TWO- HOLE NUT	✓			
5050-5066	60730500501	001	PLASTIC RING	✓			
5050-5068	60730701000	001	SHIM 3,9	✓			
5050-5069	60730503500	001	SPACER RING 1,8	✓			
9900	95972940000	001	SCREW SEALING LOCTITE 242 10ML	✓			

S 021 Insert strip cutter

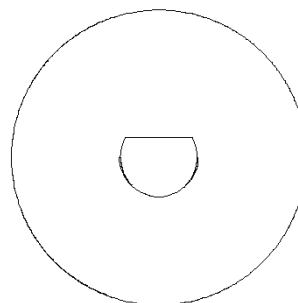
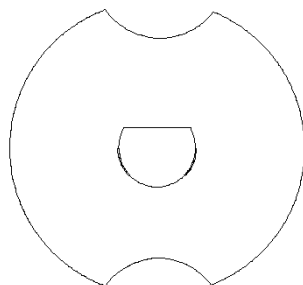
S021 Insert strip cutter

- 4 mm - insert
- 6 mm - insert
- 8 mm - insert
- 10 mm - insert
- 12 mm - insert
- 16 mm - insert
- 20 mm - insert
- 30 mm - insert



For the left blade roller the blade washer are available **with or without recess**.
(only by strip 4, 6 and 8 mm)

The right blade roller always **without recess**



S 021 Insert strip cutter

Item	Material No.	Qty	Material description
------	--------------	-----	----------------------

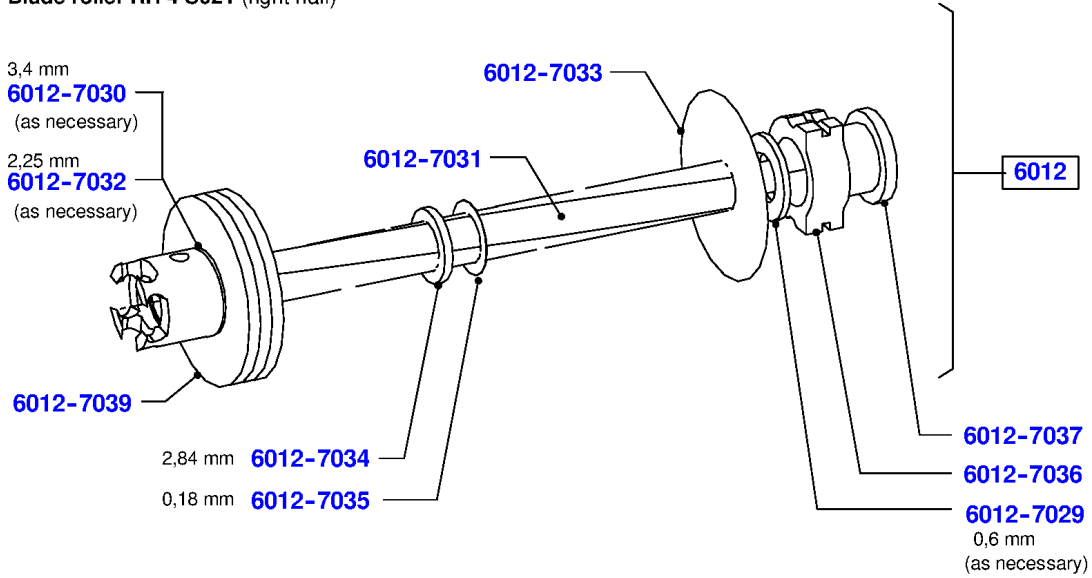
available for order
ear part
acomm. sp. part
etr. relevance

S 021 Insert strip cutter

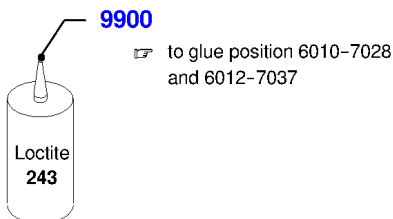
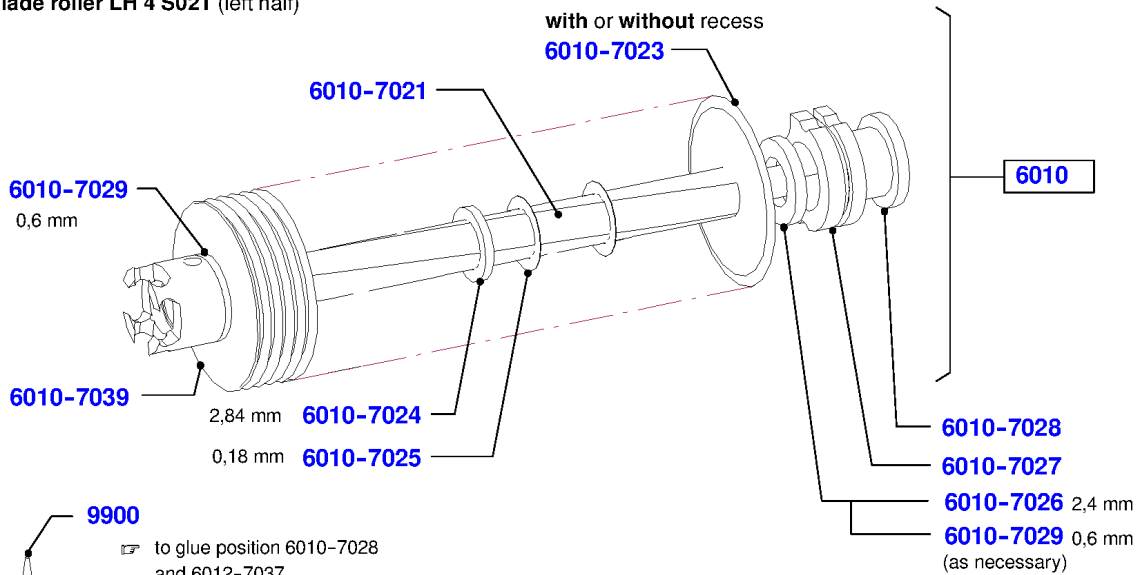
S021 - Blade roller with 4 mm insert

S021 - Blade roller with 4 mm insert

Blade roller RH 4 S021 (right half)



Blade roller LH 4 S021 (left half)



S 021 Insert strip cutter

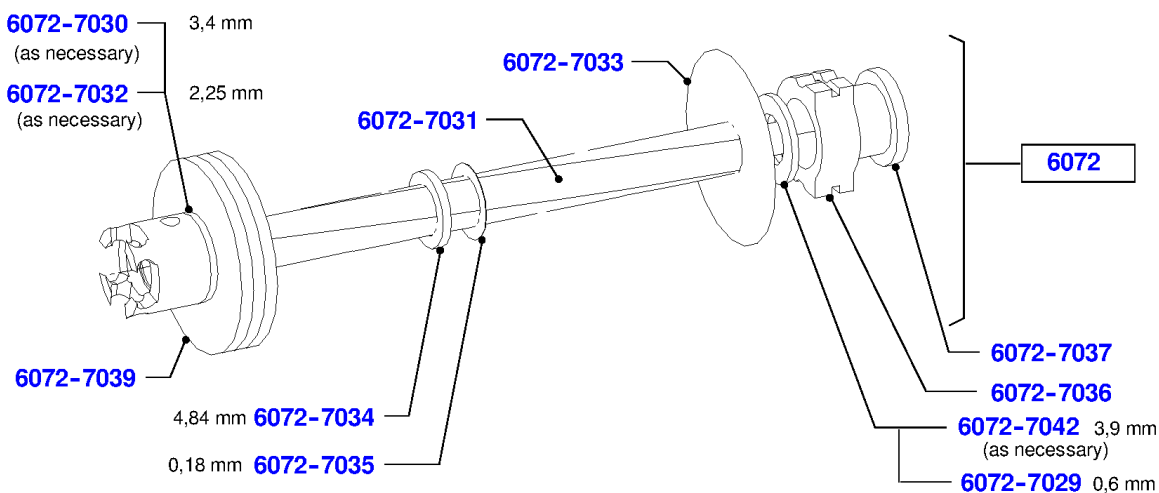
Item	Material No.	Qty	Material description	available for order	ear part	acomm. sp. part	etr. relevance
6010		001	BLADE ROLLER LEFT LH S021 4MM (BLADE WITH RECESS) BLADE ROLLER LEFT LH S021 4MM (BLADE WITHOUT RECESS)				
6010-7021	60730504800	001	BLADE SHAFT LH COMPL.	✓			
6010-7023	60730702201	045	BLADE DISK WITH RECESS	✓			
6010-7023	60730702300	045	BLADE DISK WITHOUT RECESS	✓			
6010-7024	60730702401	045	SPACER 2,84	✓			
6010-7025	60730500800	010	SPACER 0,18	✓			
6010-7026	60730602300	001	SPACER 2,4	✓			
6010-7027	60730500501	001	PLASTIC RING	✓			
6010-7028	60730500900	001	TWO- HOLE NUT	✓			
6010-7029	60730702600	002	SPACER RING 0,6	✓			
6010-7039	60730702700	001	WASHER	✓			
6012		001	BLADE ROLLER RH S021 4MM				
6012-7029	60730702600	001	SPACER RING 0,6	✓			
6012-7030	60730701200	001	SPACER RING 3,4	✓			
6012-7031	60730504701	001	BLADE SHAFT RH CPL.	✓			
6012-7032	60730502800	001	SPACER RING 2,25	✓			
6012-7033	60730702300	045	BLADE DISK WITHOUT RECESS	✓			
6012-7034	60730702401	045	SPACER 2,84	✓			
6012-7035	60730500800	010	SPACER 0,18	✓			
6012-7036	60730500501	001	PLASTIC RING	✓			
6012-7037	60730500101	001	TWO- HOLE NUT	✓			
6012-7039	60730702700	001	WASHER	✓			
9900	95972940000	001	SCREW SEALING LOCTITE 242 10ML	✓			

S 021 Insert strip cutter

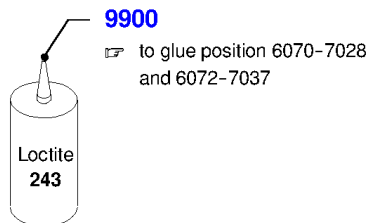
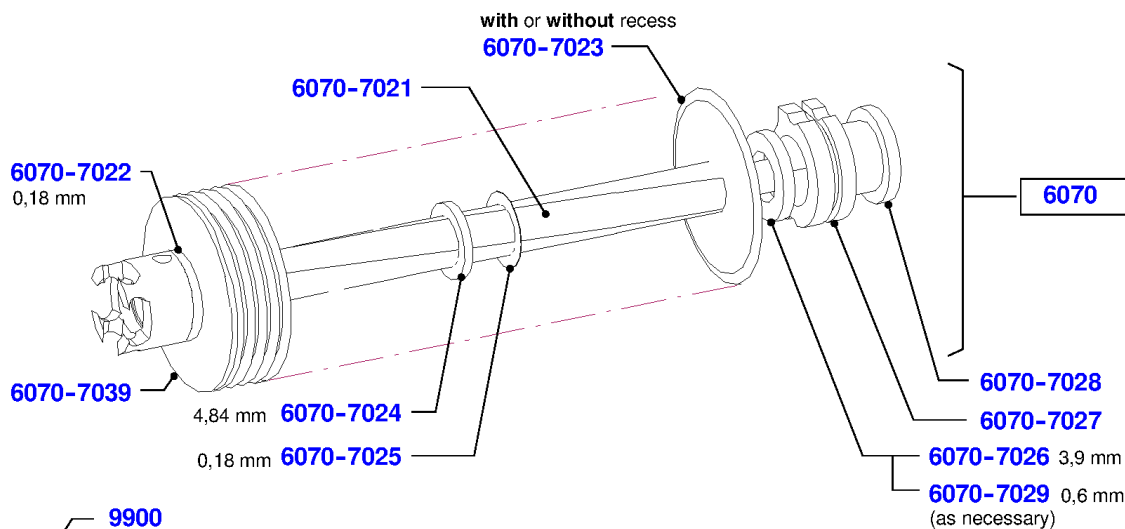
S021 - Blade roller with 6 mm insert

S021 - Blade roller with 6 mm insert

Blade roller RH 6 S021 (right half)



Blade roller LH 6 S021 (left half)



S 021 Insert strip cutter

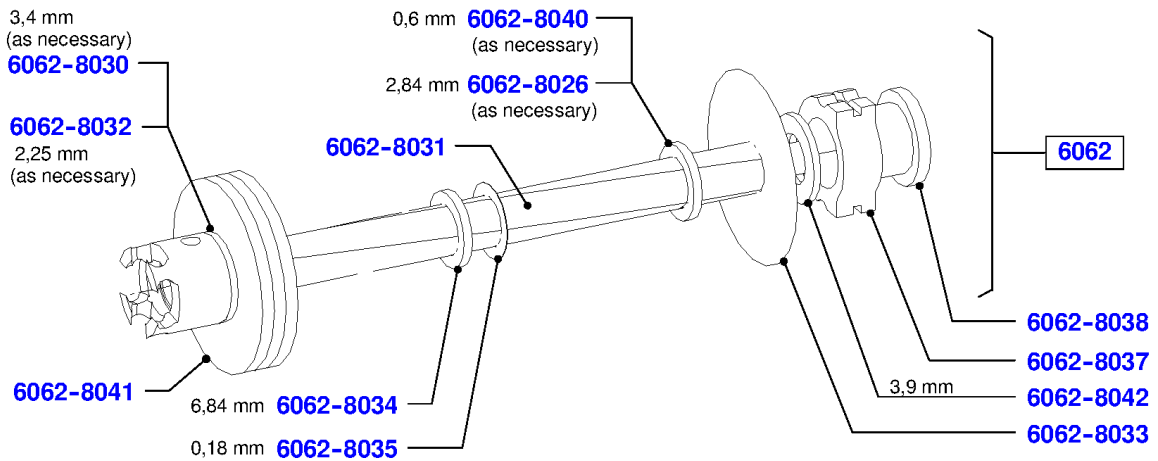
Item	Material No.	Qty	Material description	available for order	ear part	acomm. sp. part	etr. relevance
6070		001	BLADE ROLLER LH S021 6MM				
6070-7021	60730504800	001	BLADE SHAFT LH COMPL.	✓			
6070-7022	60730500800	003	SPACER 0,18	✓			
6070-7023	60730702201	045	BLADE DISK WITH RECESS	✓			
6070-7023	60730702300	030	BLADE DISK WITHOUT RECESS	✓			
6070-7024	60730902501	030	SPACER 4,84	✓			
6070-7025	60730500800	010	SPACER 0,18	✓			
6070-7026	60730701000	001	SHIM 3,9	✓			
6070-7027	60730500501	001	PLASTIC RING	✓			
6070-7028	60730500900	001	TWO- HOLE NUT	✓			
6070-7029	60730702600	001	SPACER RING 0,6	✓			
6070-7039	60730702700	001	WASHER	✓			
6072		001	BLADE ROLLER RH S021 6MM				
6072-7029	60730702600	001	SPACER RING 0,6	✓			
6072-7030	60730701200	001	SPACER RING 3,4	✓			
6072-7031	60730504701	001	BLADE SHAFT RH CPL.	✓			
6072-7032	60730502800	001	SPACER RING 2,25	✓			
6072-7033	60730702300	030	BLADE DISK WITHOUT RECESS	✓			
6072-7034	60730902501	030	SPACER 4,84	✓			
6072-7035	60730500800	010	SPACER 0,18	✓			
6072-7036	60730500501	001	PLASTIC RING	✓			
6072-7037	60730500101	001	TWO- HOLE NUT	✓			
6072-7039	60730702700	001	WASHER	✓			
6072-7042	60730701000	001	SHIM 3,9	✓			
9900	95972940000	001	SCREW SEALING LOCTITE 242 10ML	✓			

S 021 Insert strip cutter

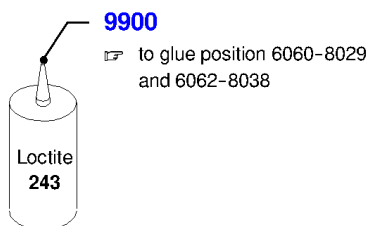
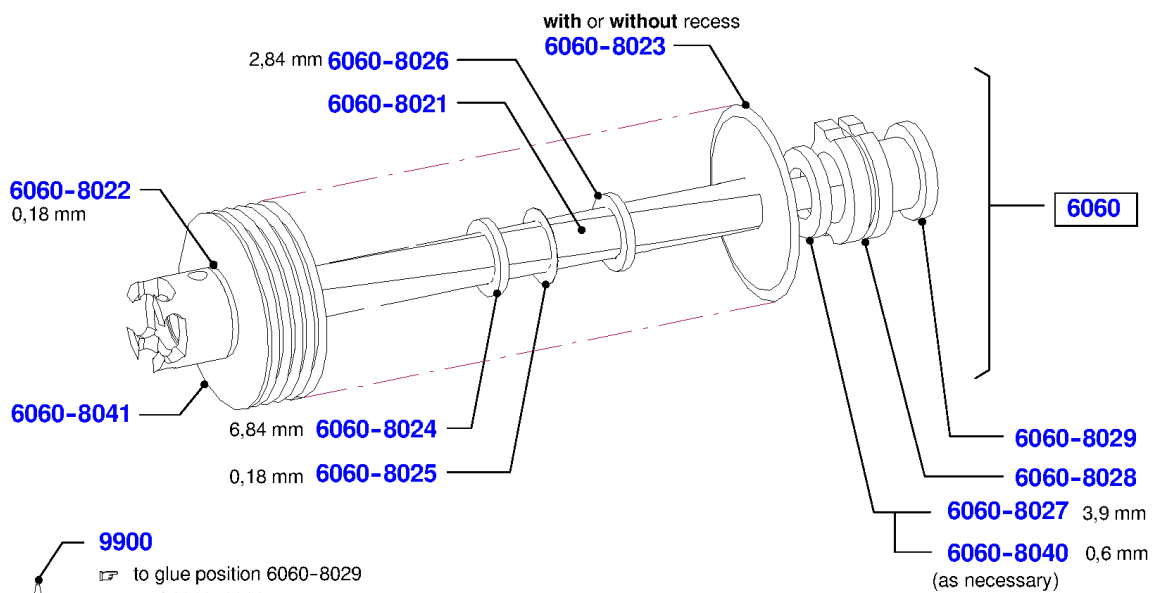
S021 - Blade roller with 8 mm insert

S021 - Blade roller with 8 mm insert

Blade roller RH 8 S021 (right half)



Blade roller LH 8 S021 (left half)



S 021 Insert strip cutter

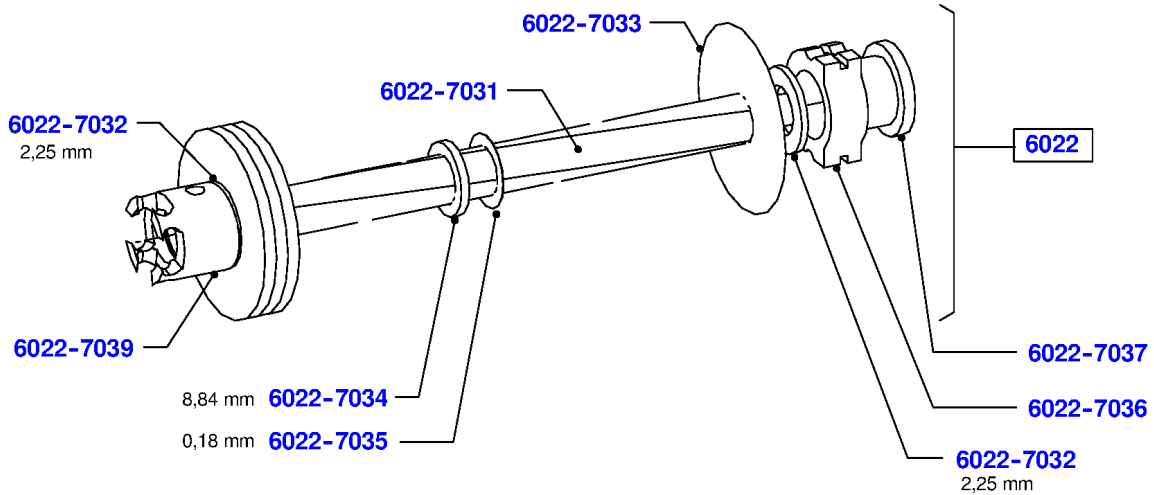
Item	Material No.	Qty	Material description	available for order	ear part	acomm. sp. part	etr. relevance
6060		001	BLADE ROLLER LH S021 8MM				
6060-8021	60730504800	001	BLADE SHAFT LH COMPL.	✓			
6060-8022	60730500800	001	SPACER 0,18	✓			
6060-8023	60730702201	045	BLADE DISK WITH RECESS	✓			
6060-8023	60730702300	023	BLADE DISK WITHOUT RECESS	✓			
6060-8024	60730702501	022	SPACER 6,84	✓			
6060-8025	60730500800	008	SPACER 0,18	✓			
6060-8026	60730702401	001	SPACER 2,84	✓			
6060-8027	60730701000	001	SHIM 3,9	✓			
6060-8028	60730500501	001	PLASTIC RING	✓			
6060-8029	60730500900	001	TWO- HOLE NUT	✓			
6060-8040	60730702600	001	SPACER RING 0,6	✓			
6060-8041	60730702700	001	WASHER	✓			
6062		001	BLADE ROLLER RH S021 8MM				
6062-8026	60730702401	001	SPACER 2,84	✓			
6062-8030	60730701200	001	SPACER RING 3,4	✓			
6062-8031	60730504701	001	BLADE SHAFT RH CPL.	✓			
6062-8032	60730502800	001	SPACER RING 2,25	✓			
6062-8033	60730702300	023	BLADE DISK WITHOUT RECESS	✓			
6062-8034	60730702501	022	SPACER 6,84	✓			
6062-8035	60730500800	008	SPACER 0,18	✓			
6062-8037	60730500501	001	PLASTIC RING	✓			
6062-8038	60730500101	001	TWO- HOLE NUT	✓			
6062-8040	60730702600	001	SPACER RING 0,6	✓			
6062-8041	60730702700	001	WASHER	✓			
6062-8042	60730701000	001	SHIM 3,9	✓			
9900	95972940000	001	SCREW SEALING LOCTITE 242 10ML	✓			

S 021 Insert strip cutter

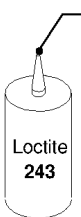
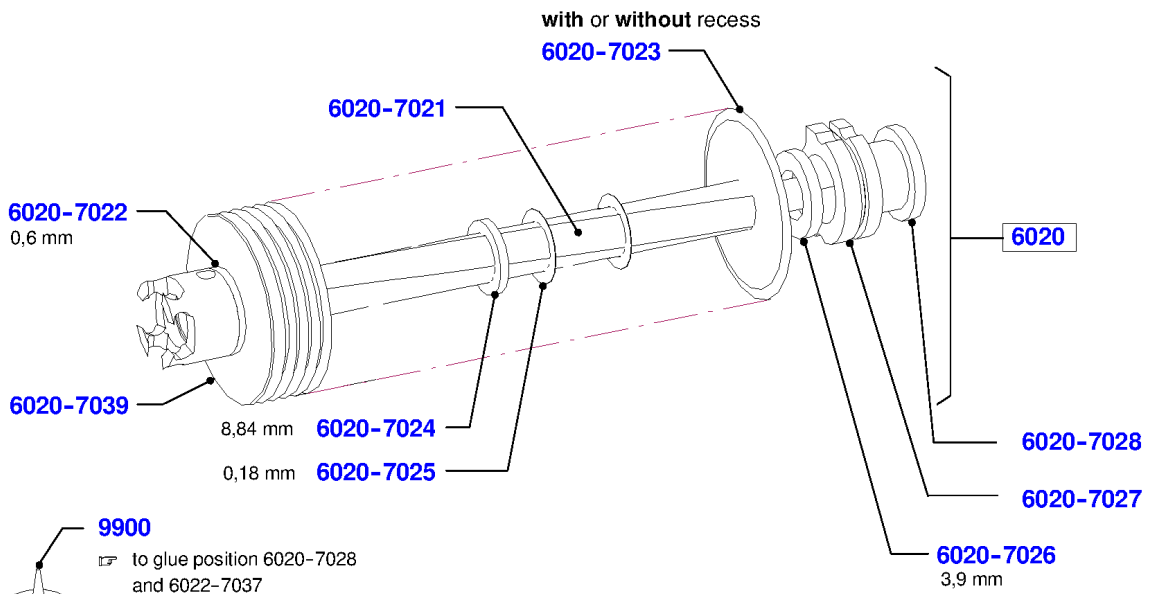
S021 - Blade roller with 10 mm insert

S021 - Blade roller with 10 mm insert

Blade roller RH 10 S021 (right half)



Blade roller LH 10 S021 (left half)



S 021 Insert strip cutter

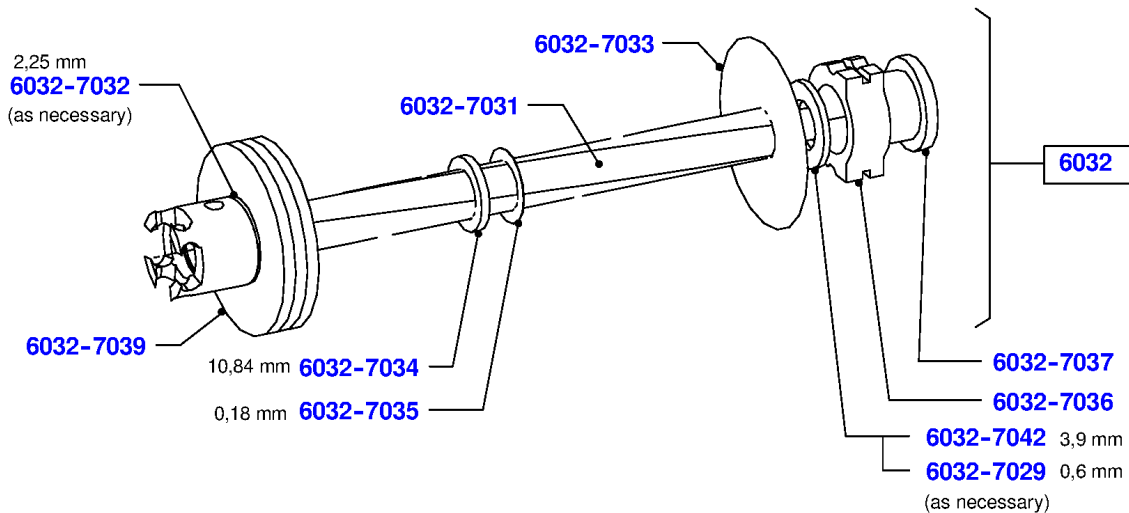
Item	Material No.	Qty	Material description	available for order	ear part	acomm. sp. part	etr. relevance
6020		001	BLADE STRIPPER LH S021 10MM				
6020-7021	60730504800	001	BLADE SHAFT LH COMPL.	✓			
6020-7022	60730702600	001	SPACER RING 0,6	✓			
6020-7023	60730702201	045	BLADE DISK WITH RECESS	✓			
6020-7023	60730702300	018	BLADE DISK WITHOUT RECESS	✓			
6020-7024	60731002500	018	SPACER RING 8,84	✓			
6020-7025	60730500800	006	SPACER 0,18	✓			
6020-7026	60730701000	001	SHIM 3,9	✓			
6020-7027	60730500501	001	PLASTIC RING	✓			
6020-7028	60730500900	001	TWO- HOLE NUT	✓			
6020-7039	60730702700	001	WASHER	✓			
6022		001	BLADE ROLLER RH S021 10MM				
6022-7031	60730504701	001	BLADE SHAFT RH CPL.	✓			
6022-7032	60730502800	002	SPACER RING 2,25	✓			
6022-7033	60730702300	018	BLADE DISK WITHOUT RECESS	✓			
6022-7034	60731002500	018	SPACER RING 8,84	✓			
6022-7035	60730500800	006	SPACER 0,18	✓			
6022-7036	60730500501	001	PLASTIC RING	✓			
6022-7037	60730500101	001	TWO- HOLE NUT	✓			
6022-7039	60730702700	001	WASHER	✓			
9900	95972940000	001	SCREW SEALING LOCTITE 242 10ML	✓			

S 021 Insert strip cutter

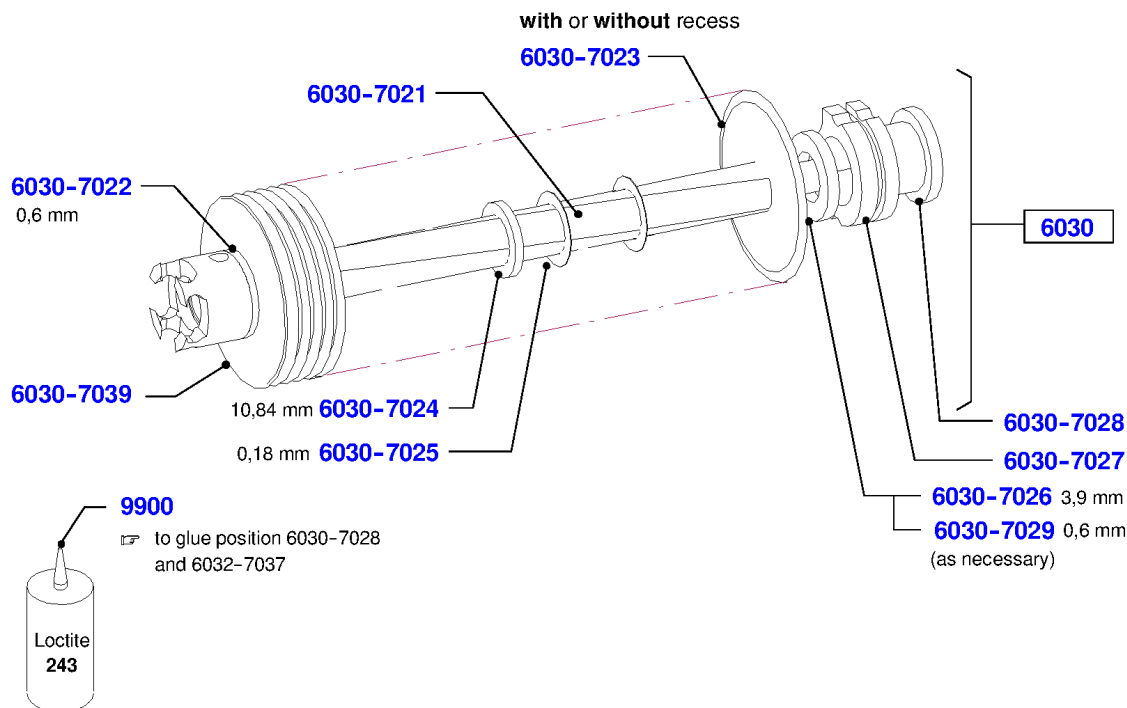
S021 - Blade roller with 12 mm insert

S021 - Blade roller with 12 mm insert

Blade roller RH 12 S021 (right half)



Blade roller LH 12 S021 (left half)



S 021 Insert strip cutter

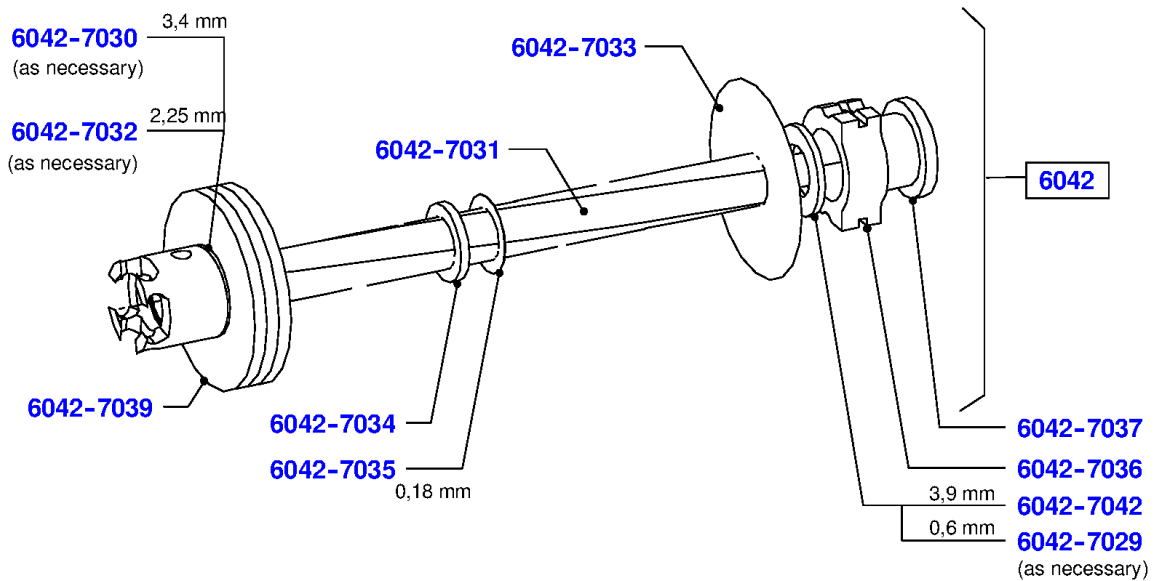
Item	Material No.	Qty	Material description	available for order	ear part	acomm. sp. part	etr. relevance
6030		001	BLADE ROLLER LH S021 12MM				
6030-7021	60730504800	001	BLADE SHAFT LH COMPL.	✓			
6030-7022	60730702600	001	SPACER RING 0,6	✓			
6030-7023	60730702201	045	BLADE DISK WITH RECESS	✓			
6030-7023	60730702300	015	BLADE DISK WITHOUT RECESS	✓			
6030-7024	60731202500	015	SPACER RING 10,84	✓			
6030-7025	60730500800	005	SPACER 0,18	✓			
6030-7026	60730701000	001	SHIM 3,9	✓			
6030-7027	60730500501	001	PLASTIC RING	✓			
6030-7028	60730500900	001	TWO- HOLE NUT	✓			
6030-7029	60730702600	001	SPACER RING 0,6	✓			
6030-7039	60730702700	001	WASHER	✓			
6032		001	BLADE ROLLER RH S021 12MM				
6032-7029	60730702600	001	SPACER RING 0,6	✓			
6032-7031	60730504701	001	BLADE SHAFT RH CPL.	✓			
6032-7032	60730502800	001	SPACER RING 2,25	✓			
6032-7033	60730702300	015	BLADE DISK WITHOUT RECESS	✓			
6032-7034	60731202500	015	SPACER RING 10,84	✓			
6032-7035	60730500800	005	SPACER 0,18	✓			
6032-7036	60730500501	001	PLASTIC RING	✓			
6032-7037	60730500101	001	TWO- HOLE NUT	✓			
6032-7039	60730702700	001	WASHER	✓			
6032-7042	60730701000	001	SHIM 3,9	✓			
9900	95972940000	001	SCREW SEALING LOCTITE 242 10ML	✓			

S 021 Insert strip cutter

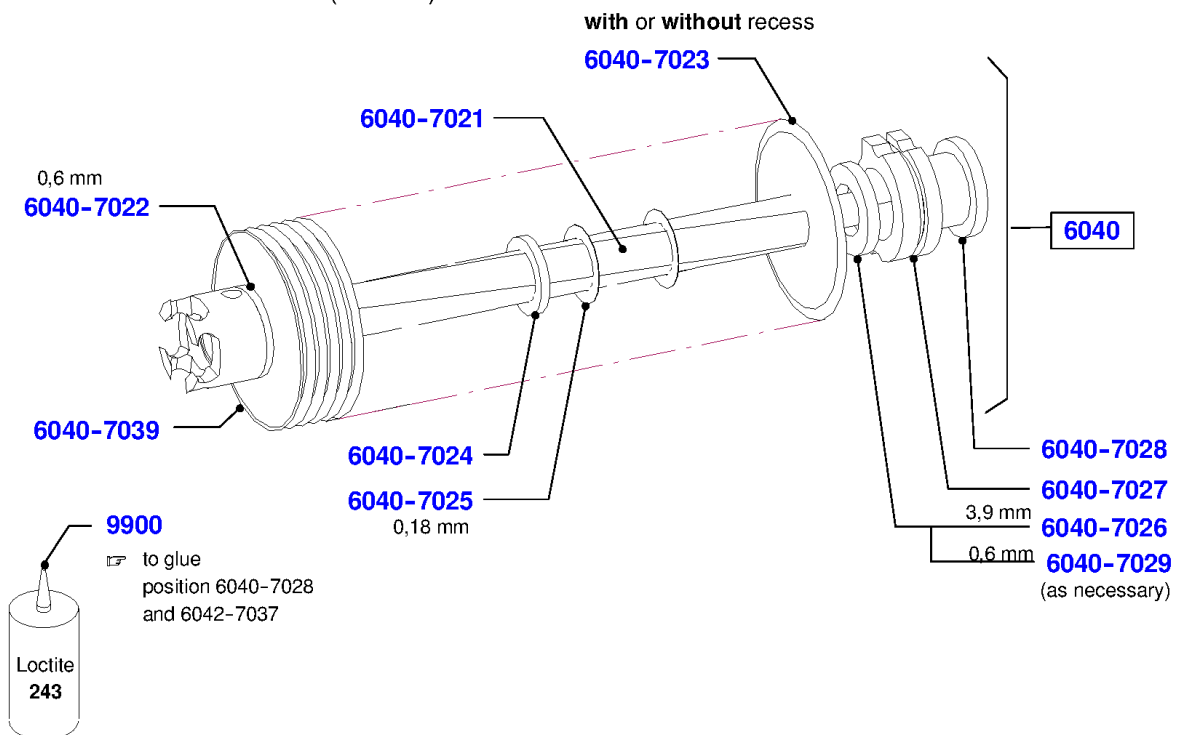
S021 - Blade roller with 16 mm insert

S021 - Blade roller with 16 mm insert

Blade roller RH 16 S021 (right half)



Blade roller LH 16 S021 (left half)



S 021 Insert strip cutter

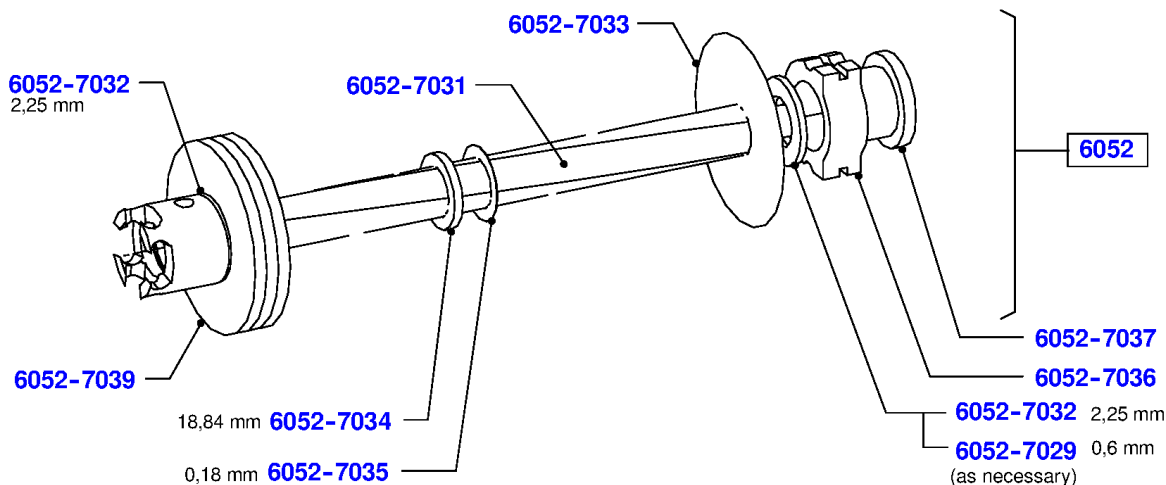
Item	Material No.	Qty	Material description	available for order	ear part	acomm. sp. part	etr. relevance
6040		001	BLADE ROLLER LH S 021 16MM				
6040-7021	60730504800	001	BLADE SHAFT LH COMPL.	✓			
6040-7022	60730702600	001	SPACER RING 0,6	✓			
6040-7023	60730702201	045	BLADE DISK WITH RECESS	✓			
6040-7023	60730702300	022	BLADE DISK WITHOUT RECESS	✓			
6040-7024	60731602500	011	SPACER RING	✓			
6040-7025	60730500800	007	SPACER 0,18	✓			
6040-7026	60730701000	001	SHIM 3,9	✓			
6040-7027	60730500501	001	PLASTIC RING	✓			
6040-7028	60730500900	001	TWO- HOLE NUT	✓			
6040-7029	60730702600	002	SPACER RING 0,6	✓			
6040-7039	60730702700	001	WASHER	✓			
6042		001	BLADE ROLLER RH S 021 16MM				
6042-7029	60730702600	001	SPACER RING 0,6	✓			
6042-7030	60730701200	001	SPACER RING 3,4	✓			
6042-7031	60730504701	001	BLADE SHAFT RH CPL.	✓			
6042-7032	60730502800	001	SPACER RING 2,25	✓			
6042-7033	60730702300	022	BLADE DISK WITHOUT RECESS	✓			
6042-7034	60731602500	011	SPACER RING	✓			
6042-7035	60730500800	007	SPACER 0,18	✓			
6042-7036	60730500501	001	PLASTIC RING	✓			
6042-7037	60730500101	001	TWO- HOLE NUT	✓			
6042-7039	60730702700	001	WASHER	✓			
6042-7042	60730701000	001	SHIM 3,9	✓			
9900	95972940000	001	SCREW SEALING LOCTITE 242 10ML	✓			

S 021 Insert strip cutter

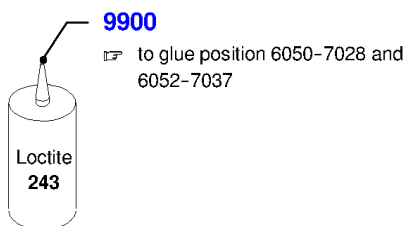
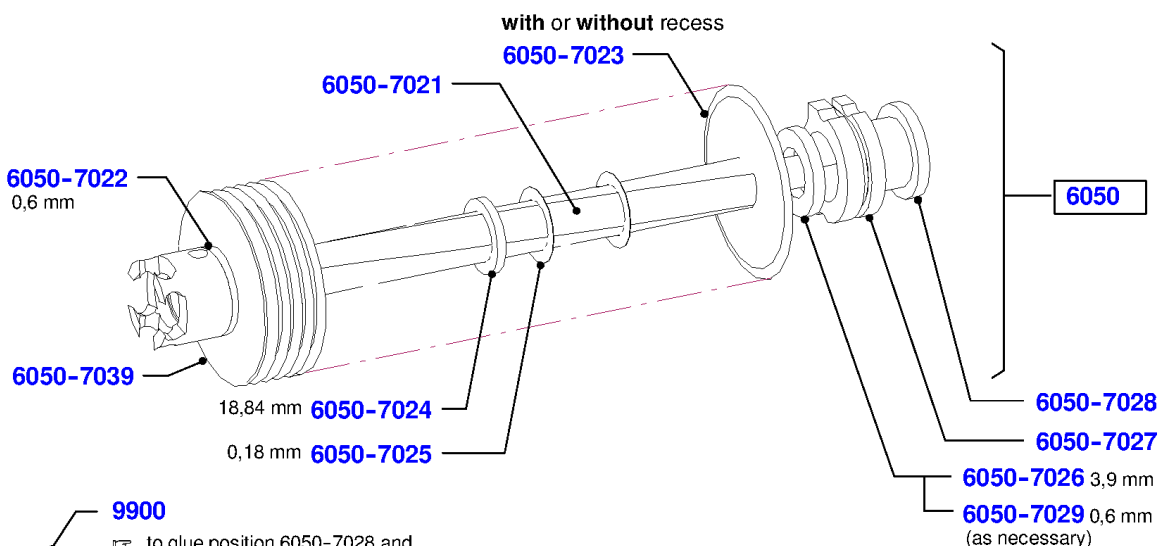
S021 - Blade roller with 20 mm insert

S021 - Blade roller with 20 mm insert

Blade roller RH 20 S021 (right half)



Blade roller LH 20 S021 (left half)



S 021 Insert strip cutter

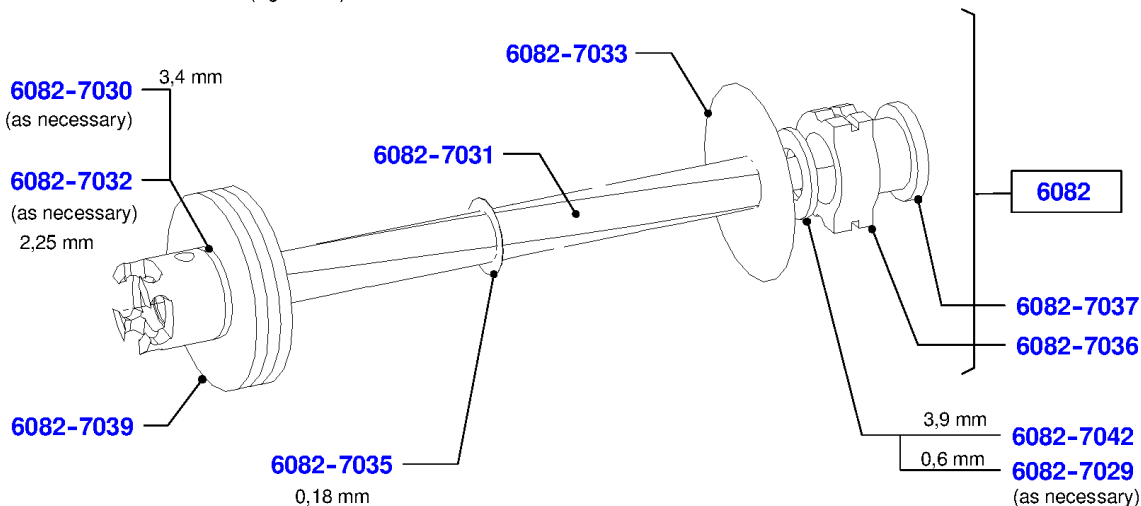
Item	Material No.	Qty	Material description	available for order	ear part	acomm. sp. part	etr. relevance
6050		001	BLADE ROLLER LH S021 20MM				
6050-7021	60730504800	001	BLADE SHAFT LH COMPL.	✓			
6050-7022	60730702600	001	SPACER RING 0,6	✓			
6050-7023	60730702201	045	BLADE DISK WITH RECESS	✓			
6050-7023	60730702300	009	BLADE DISK WITHOUT RECESS	✓			
6050-7024	60732002500	009	SPACER RING 18,84	✓			
6050-7025	60730500800	003	SPACER 0,18	✓			
6050-7026	60730701000	001	SHIM 3,9	✓			
6050-7027	60730500501	001	PLASTIC RING	✓			
6050-7028	60730500900	001	TWO- HOLE NUT	✓			
6050-7029	60730702600	001	SPACER RING 0,6	✓			
6050-7039	60730702700	001	WASHER	✓			
6052		001	BLADE ROLLER RH S021 20MM				
6052-7029	60730702600	001	SPACER RING 0,6	✓			
6052-7031	60730504701	001	BLADE SHAFT RH CPL.	✓			
6052-7032	60730502800	002	SPACER RING 2,25	✓			
6052-7033	60730702300	009	BLADE DISK WITHOUT RECESS	✓			
6052-7034	60732002500	009	SPACER RING 18,84	✓			
6052-7035	60730500800	003	SPACER 0,18	✓			
6052-7036	60730500501	001	PLASTIC RING	✓			
6052-7037	60730500101	001	TWO- HOLE NUT	✓			
6052-7039	60730702700	001	WASHER	✓			
9900	95972940000	001	SCREW SEALING LOCTITE 242 10ML	✓			

S 021 Insert strip cutter

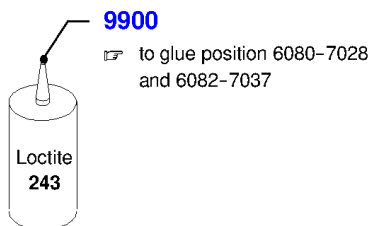
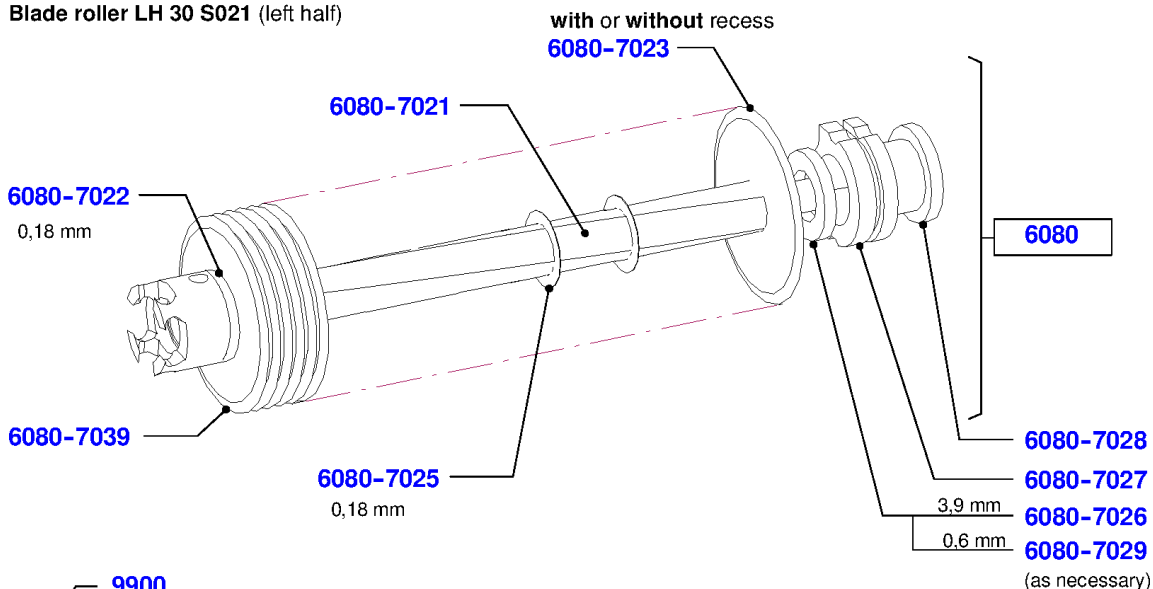
S021 - Blade roller with 30 mm insert

S021 - Blade roller with 30 mm insert

Blade roller RH 30 S021 (right half)



Blade roller LH 30 S021 (left half)

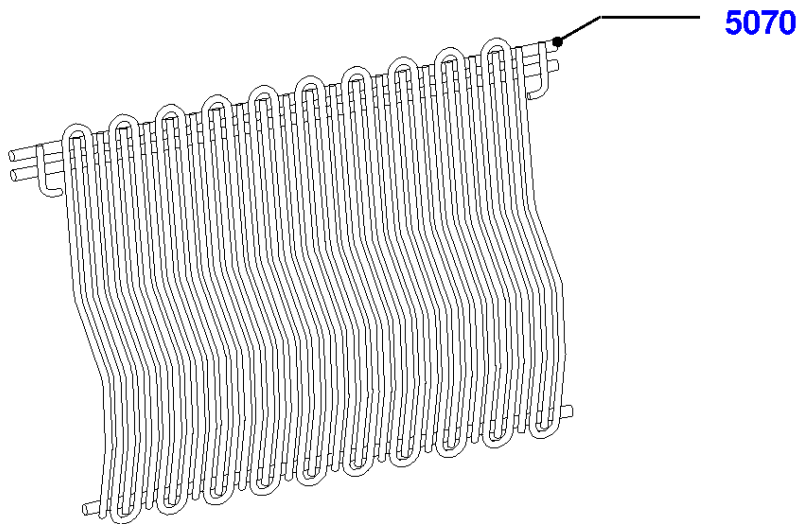


S 021 Insert strip cutter

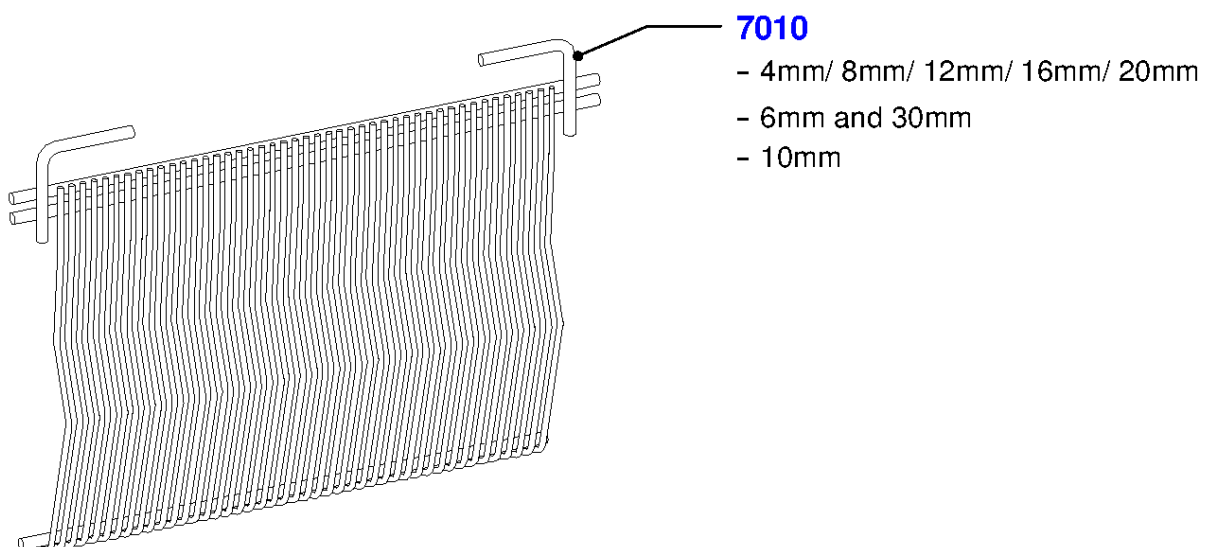
Item	Material No.	Qty	Material description	available for order	ear part	acomm. sp. part	etr. relevance
6080		001	BLADE ROLLER LH S 021 30MM				
6080-7021	60730504800	001	BLADE SHAFT LH COMPL.	✓			
6080-7022	60730500800	003	SPACER 0,18	✓			
6080-7023	60730702201	045	BLADE DISK WITH RECESS	✓			
6080-7023	60730702300	015	BLADE DISK WITHOUT RECESS	✓			
6080-7025	60730500800	005	SPACER 0,18	✓			
6080-7026	60730701000	001	SHIM 3,9	✓			
6080-7027	60730500501	001	PLASTIC RING	✓			
6080-7028	60730500900	001	TWO- HOLE NUT	✓			
6080-7029	60730702600	001	SPACER RING 0,6	✓			
6080-7039	60730702700	001	WASHER	✓			
6082		001	BLADE ROLLER RH S 021 30MM				
6082-7029	60730702600	001	SPACER RING 0,6	✓			
6082-7030	60730701200	001	SPACER RING 3,4	✓			
6082-7031	60730504701	001	BLADE SHAFT RH CPL.	✓			
6082-7032	60730502800	001	SPACER RING 2,25	✓			
6082-7033	60730702300	015	BLADE DISK WITHOUT RECESS	✓			
6082-7035	60730500800	005	SPACER 0,18	✓			
6082-7036	60730500501	001	PLASTIC RING	✓			
6082-7037	60730500101	001	TWO- HOLE NUT	✓			
6082-7039	60730702700	001	WASHER	✓			
6082-7042	60730701000	001	SHIM 3,9	✓			
9900	95972940000	001	SCREW SEALING LOCTITE 242 10ML	✓			

Stripper

Stripper for **S011** (Meat tenderizer) and **S012** (Knitting)



Stripper for **S021** (Strip cutter)

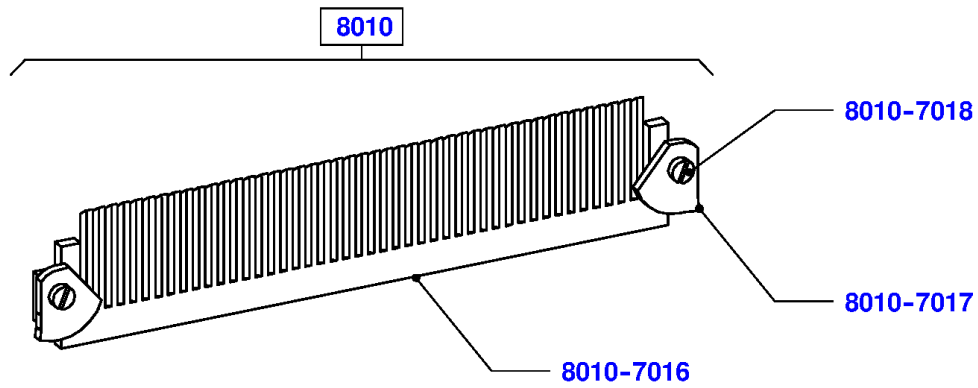


Stripper

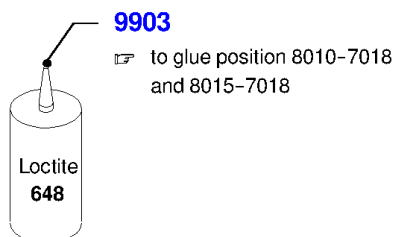
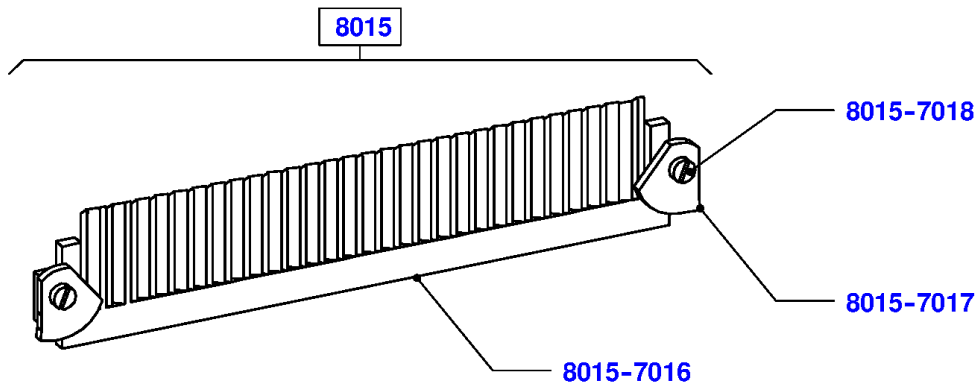
Item	Material No.	Qty	Material description	available for order	ear part	acomm. sp. part	etr. relevance
5070	60730505500	002	STRIPPER (SERIES)	✓			
5070	60730502901	002	STRIPPER (FOR THICK PRODUCTS)	✓			
7010	60730705501	001	STRIPPER (4MM/8MM/12MM/16MM/20MM)	✓			
7010	60730905502	001	STRIPPER (6 MM/30MM)	✓			
7010	60731005500	001	STRIPPER USA (10 MM)	✓			

Discharge stripper

Discharge stripper preassembled for S021 (4 and 8 mm) for strip cutter



Discharge stripper preassembled S021 (6 mm) for strip cutter



Discharge stripper

Item	Material No.	Qty	Material description	available for order	ear part	acomm. sp. part	etr. relevance
8010	60730701501	001	DISCHARGE STRIPPER PREAS. (UP TO DEVICE- NO. 1581320)	✓			
8010	60730708700	001	DISCHARGE STRIPPER PREAS. (FROM DEVICE- NO. 1581321)	✓			
8010-7016	60730701603	001	DISCHARGE STRIPPER (UP TO DEVICE- NO. 1581320)	✓			
8010-7016	60730708600	001	DISCHARGE STRIPPER 4MM (FROM DEVICE- NO. 1581321)	✓			
8010-7017	60730701401	002	FISH PLATE (UP TO DEVICE- NO. 1581320)	✓			
8010-7017	60730708800	002	FISH PLATE	✓			
8010-7018	56984430000	002	PAN HEAD SCREW DIN 923- M4X3- A2- 70 (UP TO DEVICE- NO. 1581320)	✓			
8010-7018	60730702900	002	SETSCREW	✓			
8015	60730908700	001	DISCHARGE STRIPPER PREASSEMBLED 6 MM (FROM DEVICE- NO. 1581321)	✓			
8015-7016	60730908601	001	STRIPPE	✓			
8015-7017	60730708800	002	FISH PLATE	✓			
8015-7018	60730702900	002	SETSCREW	✓			
9903	95972840000	001	SCREW SEALING ADHESIVE LOCTITE 648 10ML	✓			

Index

Material No.	Material description	Page
	BLADE ROLLER LEFT LH S021 4MM (BLADE WITH RECESS)	61
	BLADE ROLLER LEFT LH S021 4MM (BLADE WITHOUT RECESS)	
	BLADE ROLLER LEFT S 011 (MEAT TENDERIZER)	55
	BLADE ROLLER LEFT S 012 (KNITTING) BLADE ROLLER LEFT S 012 (KNITTING, STRONGLY SHAR	57
	BLADE ROLLER LH S 021 16MM	71
	BLADE ROLLER LH S 021 30MM	75
	BLADE ROLLER LH S021 6MM	63
	BLADE ROLLER LH S021 8MM	65
	BLADE ROLLER LH S021 12MM	69
	BLADE ROLLER LH S021 20MM	73
	BLADE ROLLER RH S 011 (MEAT TENDERIZER)	55
	BLADE ROLLER RH S 012 (KNITTING) BLADE ROLLER RH S 012 (KNITTING, STRONGLY SHARPE	57
	BLADE ROLLER RH S 021 16MM	71
	BLADE ROLLER RH S 021 30MM	75
	BLADE ROLLER RH S021 4MM	61
	BLADE ROLLER RH S021 8MM	65
	BLADE ROLLER RH S021 10MM	67
	BLADE ROLLER RH S021 12MM	69
	BLADE ROLLER RH S021 20MM	73
	BLADE ROLLER RH S021 6MM	63
	BLADE STRIPPER LH S021 10MM	67
	VOLTAGE VARIATION S 111 220- 240V/50- 60HZ VOLTAGE VARIATION S 111 100- 120V/50- 60HZ	5
	VOLTAGE VARIATION S 111 220- 240V/50- 60HZ VOLTAGE VARIATION S 111 100- 120V/50- 60HZ	7
00110038600	MAINS CABLE WITHOUT PLAG	19
38014989000	Label "See instruction manual"	43
38015827000	Contactora 100V 1C	13
38016273000	GRO. BALL BEARING SS688- 2Z GPR J G508 CP	25
38017656000	Warning plate	43
38018805000	CONTACTOR 120V 1C	13
38019730000	MOTOR 120V/AC	7
38020704000	MOTOR 220V- 240V/50HZ AC	7
38037468000	Plain bearing 12x14x10	37
38041290000	CONNECTION CLAMP 2- FOLD	7
38047077000	WASHER	37
38055119005	HEAT SINK	7
38057601000	KA LI GN/YE AWG18 0,10M	7
38057610001	KA LI BK AWG18 0,22M	7
38057622000	KA LI BK AWG18 0,33M	7
38058534000	SUPPRESSOR CHOKE 2X3,3MH BG	7
38069451000	V- RIBBED BELT 4PJ508	29
38073517001	COVER KNIFE CONTROL MOUNTED	7
38076974000	SPACER 3,58	55
38091421001	LABEL CABLING S111 100V/120V	7, 43
38091423001	LABEL CABLING S111 220- 240V	7, 43
38092715000	ARMOURED MAINS CABLE AC EURO L2.5M	19

Index

Material No.	Material description	Page
38093234000	CA RD 7G1,0 0,50M	7
38094627000	MOTOR 100V 50HZ 3,7A 370W 3PH	7
38098256000	CA CO BK AWG18 0,44M	7
40110047400	POWER LEAD EXPORT	19
40110047600	POWER LEAD GB	19
40140101300	MEMBRANE	17
40220000201	Protective plug 16x12,2x5,2-PC	15, 29, 33
40300057700	POWER CONNECTING CABLE USA,CAN	19
47509000301	REFERENCE PLATE GER	43
47509000401	REFERENCE PLATE ENG	43
47509000501	REFERENCE PLATE FRA	43
47509000601	REFERENCE PLATE ESP	43
47509000701	REFERENCE PLATE ITA	43
47509001301	REFERENCE PLATE DNK	43
47509010201	REFERENCE PLATE PORT	43
47509010301	REFERENCE PLATE FLEM	43
47509020500	REFERENCE PLATE SWE	43
47509020600	REFERENCE PLATE NDL	43
47509020700	REFERENCE PLATE RUSS	43
47509020800	REFERENCE PLATE GREE	43
47509020900	REFERENCE PLATE SERBOCROAT	43
47509021000	REFERENCE PLATE CZECH	43
47509021100	REFERENCE PLATE HUN	43
50001680000	DISC SPRING 31.7X20.4X0.35	37
50002070000	O- SEAL 14.1X1.6	29
50002170000	O-Seal 12x1,5	37, 39
50002910000	Hand Brush 6-Row 110X290X30	45
50003550000	O- SEAL 32X1,5	37, 39
50003680000	O- SEAL 20X1.0	15
50005320000	Flange Bush JFM 14x16x12	25
50005990000	FILTER PLUG 80M 4X6	35
50250100000	Grounding Plate 9x17/4.3 D	15
50281080000	DISC SPRING DIN 2093- 12X4,2X0,6	15
50725420000	GASTRO STANDARDIZED TRAY	45
50998670000	TENSION SPRING 0,8X7X26,4	41
52041140000	MOTOR A.C. D29P GM 219500	7
52041150000	MOTOR A.C. D29P GM 219500	7
56083970000	Set screw DIN916 M6x8-45H	29
56185350000	PARALLEL PIN DIN 7 M6 6X10- ST	35
56255060000	ROUND- HEAD NAIL DIN 1476- 3X6- AL	43
56360920000	GROOVED BALL BEARING DIN 625 6002- 2RS	37, 39
56400890000	Lock nut DIN985-M4-A2	15
56456400000	Hexagon nut DIN934-M4-A2	15, 33, 41
56456600000	Hexagon nut DIN934-M6-A2	29, 33
56739030000	Unterlegscheibe ISO7089-3-A2	29, 33
56739040000	Unterlegscheibe ISO7089-4-A2	7, 13, 15, 33
56739060000	Unterlegscheibe ISO7089-6-A2	29, 31, 33
56765040000	Unterlegscheibe DIN9021-4-A2	33, 41

Index

Material No.	Material description	Page
56805430000	OVAL- HEAD SCREW DIN 7985- M4X10- 5.8	13
56805470001	OVAL- HEAD SCREW M 4X20	41
56806310000	Oval-head screw DIN7985 M3x16-A2-70	13
56806410000	Oval-head screw DIN7985 M4x6-A2-70	51
56806430000	Oval-head screw DIN7985 M4x10-A2-70	15, 29, 33
56806450000	Oval-head screw ISO14583 M4x8-A2-70-T20	7, 13, 15, 29
56836340000	COUNTER SUNK SCREW DIN 966- M4X12- A2- 70	29, 37
56923080000	COUNTER SUNK SCREW DIN 964- M4X8- A2- 70 (UP TO DEVICE- NO. 158 1320)	51
56929120000	Pan head screw DIN85 M3x12-A2-70	51
56972510000	Mushroom head screw M4x12-A2-70	25
56984430000	PAN HEAD SCREW DIN 923- M4X3- A2- 70 (UP TO DEVICE- NO. 1581320)	79
57431160000	Hexagon screw DIN933 M6x16 A2-70	29, 31, 33
57432300000	Hexagon screw DIN933 M8x30 A2-70	21
57451190000	COUNTERSUNK SCREW DIN 965- M4X10- 4.8	37, 39
57451360000	Oval-head screw ISO14583 M4x25-A2-70-T20	41
57451640000	COUNTERSINK SCREW DIN 965- M6X12 STAINLESS STEEL	31
57464180000	Plastic screw 3x10-A2 -T10	29, 33
57697480000	Cylinder screw DIN84 M4x10-A2-70	25
57730170000	Oval-head screw ISO14583 M5x10-A2-70-T25	29
57734060000	Cylinder screw DIN912 M4x6-8.8	7
57734180000	SOCKET HEAD SCREW DIN 912- M4X40- 8.8	7
57743080000	Cylinder screw DIN912 M4x16-A2-70	7
57743440000	Cylinder screw DIN912 M6x25-A2-70	49
57747340000	SOCKET HEAD SCREW DIN 7984- M6X16- 8.8	35
57750900000	RETAINING WASHER DIN 6799 9	31
57758500000	Crown gear DIN6797-A 5,3-Fst	29
57758600000	Crown gear DIN6797-A 6,4-Fst	15
57758610000	Crown gear DIN6797-A 4,3-Fst	7, 13, 15
57767040000	Spring lock washer DIN128-A4-FSt	7, 13, 15, 29, 33, 41, 51
57773830000	RETAINING RING DIN 471- 8X0,8	25
57775320000	Retaining ring DIN472-32x1,2	37, 39
60140102801	PLUGGABLE FRAME	17
60220109700	INSULATING PLATE	13
60226101300	STRAND K1- POWER PACK MODULE SE8	13
60266100600	STRAND POWER PACK MODULE VS8	13
60380204100	THREADED BUSHING M4X20	15
60544802703	RATING PLATE NEUTRAL 74X37	43
60560800501	INTAKE CHUTE CPL:	25
60560800601	INTERLOCKING COVER WELD.	25
60560801000	ROLLER	25
60560801200	SHAFT	25
60560801401	SIDE PART RH	25
60560801501	SIDE PART LH	25
60560802001	BENCH COMPLETE S111/S121	5, 21
60560802101	BENCH WELDED	21
60560802200	ADJUSTABLE FOOT	21

Index

Material No.	Material description	Page
60560802300	WINGNUT PLATE	21
60610000400	rubber foot	49
60660011700	SPACER SLEEVE	15
60660011801	SPACER SLEEVE	15
60660200100	DECO FOIL VERTICAL	15
60666401100	THRUST WASHER	15
60700601004	BLADE DISK FOR TENDERIZER	55
60700601009	WASHER THICKNESS 0.18	55
60730000601	BELT PULLEY	29
60730001003	MOTOR PLATE	31
60730001100	ROD	29
60730001203	SHAFT	31
60730001601	NUT PLATE	31
60730002401	GUARD PLATE	29, 33
60730003400	FEED PAN COMPL. 2/3 GR.	5, 49
60730003500	TRAY 2/3 SIZES	49
60730003600	FOOT	49
60730003700	SWITCH PLATE PREASSEMBLED	27, 33, 41
60730004200	BEARING BUSHING LEFT	29
60730004301	BOLT	33
60730004501	TENSIONER	33
60730004700	SPACER RING	33
60730004901	SWITCH PLATE	41
60730005001	SWITCH SPRING	41
60730005101	SPACER BUSHING	41
60730005300	CENTERING DISK	29, 37, 39
60730005400	HANDWHEEL	29
60730005700	CLAMPING SLEEVE	29
60730005800	FOOT COMPL.	29, 33
60730005900	WEDGE	29, 35
60730006001	BELT PULLEY	29
60730006500	FASTENING FRAME	17
60730006700	BUSHING (NO BEARINGS)	33
60730006800	COVER	33
60730007201	CAP	15, 29, 33
60730007400	FASTENING ANGLE PLATE	29
60730008101	SILICON PROFILE	31
60730008200	PUSHER	45
60730008600	ANGLE PLATE (USA/CAN/JPN)	13
60730008800	PROTECTIVE HOOD W. LOGO LEXAN 164H	5, 23
60730008900	PROTECTIVE HOOD W. LOGO LEXAN 164R (CLEAR)	5, 23
60730009100	COVER	17
60730009400	OPERATING NOTE S 111 / S 121 USA/FRA	43
60730009500	SEGMENTAL DISK PREASSEMBLED	33
60730009600	PLATE	15
60730009700	CONTACT PROTECTION DEVICE (ONLY FOR 230 V)	15
60730009801	SILICONE TUBE L=20MM (RIGHT)	31
60730009900	SILICONE TUBE L=3MM	31

Index

Material No.	Material description	Page
60730010200	WIRE GRID (USA)	31
60730010303	SIDE WALL LH	29
60730010500	MACHINE HOUSING ASSY.	31, 33
60730010603	PROTECTIVE HOOD RH	15, 33
60730010701	PROTECTIVE HOOD LH	29
60730011104	SIDE WALL RH PREASSY.	29, 31, 33
60730100000	GEAR UNIT COMPLETE	27, 29, 35
60730100100	GEAR UNIT HOUSING RE- WORKED	37
60730100200	GEAR COVER	37
60730100401	HELICAL GEAR WHEEL Z60 M1,5	37
60730100600	TOOTHED WHEEL SPUR- TOOTHED	37
60730100702	PINION	37
60730100801	SPUR GEAR	39
60730101100	INTERMEDIATE RING	39
60730101300	SHAFT	37
60730101700	DRIVE SHAFT	39
60730101900	KEY	39
60730102000	SPACER	39
60730102100	DISTANCE WASHER	39
60730102200	PIN	37
60730500101	TWO- HOLE NUT	55, 57, 61, 63, 65, 67, 69, 71, 73, 75
60730500201	SPACER	57
60730500501	PLASTIC RING	55, 57, 61, 63, 65, 67, 69, 71, 73, 75
60730500800	SPACER 0,18	57, 61, 63, 65, 67, 69, 71, 73, 75
60730500900	TWO- HOLE NUT	55, 57, 61, 63, 65, 67, 69, 71, 73, 75
60730501001	BLADE DISC S012 (KNITTING)	57
60730502700	BLADE DISK SO12 (KNITTING, STRONGLY SHARPENED)	57
60730502800	SPACER RING 2,25	57, 61, 63, 65, 67, 69, 71, 73, 75
60730502901	STRIPPER (FOR THICK PRODUCTS)	77
60730503300	SPACER RING 1,1	55
60730503500	SPACER RING 1,8	57
60730504101	BOLT	51
60730504200	LOCKING DEVICE (FOR ALL INSERTS)	51
60730504300	SPACER RING 0,6	55
60730504701	BLADE SHAFT RH CPL.	57, 61, 63, 65, 67, 69, 71, 73, 75
60730504800	BLADE SHAFT LH COMPL.	57, 61, 63, 65, 67, 69, 71, 73, 75
60730505200	BLADE SHAFT RIGHT/COMPL.	55
60730505400	BLADE SHAFT LEFT/COMPL.	55
60730505500	STRIPPER (SERIES)	77
60730506900	PLATE (UP TO DEVICE- NO. 158 1320)	51
60730509500	SPACER RING 3,9	55
60730510901	BRACKET - RIGHT (FROM DEVICE- NO. 158 1321)	51
60730511001	BRACKET LEFT (FROM DEVICE- NO. 158 1321)	51

Index

Material No.	Material description	Page
60730521000	BRACKET LEFT WITH HAND GRIP	51
60730602300	SPACER 2,4	61
60730701000	SHIM 3,9	57, 63, 65, 67, 69, 71, 73, 75
60730701200	SPACER RING 3,4	61, 63, 65, 71, 75
60730701401	FISH PLATE (UP TO DEVICE- NO. 1581320)	79
60730701501	DISCHARGE STRIPPER PREAS. (UP TO DEVICE- NO. 1581320)	79
60730701603	DISCHARGE STRIPPER (UP TO DEVICE- NO. 1581320)	79
60730701800	SPACER RING 2,25	55
60730702201	BLADE DISK WITH RECESS	61, 63, 65, 67, 69, 71, 73, 75
60730702300	BLADE DISK WITHOUT RECESS	61, 63, 65, 67, 69, 71, 73, 75
60730702401	SPACER 2,84	61, 65
60730702501	SPACER 6,84	65
60730702600	SPACER RING 0,6	57, 61, 63, 65, 67, 69, 71, 73, 75
60730702700	WASHER	61, 63, 65, 67, 69, 71, 73, 75
60730702900	SETSCREW	79
60730705501	STRIPPER (4MM/8MM/12MM/16MM/20MM)	77
60730708600	DISCHARGE STRIPPER 4MM (FROM DEVICE- NO. 1581321)	79
60730708700	DISCHARGE STRIPPER PREAS. (FROM DEVICE- NO. 1581321)	79
60730708800	FISH PLATE	79
60730902501	SPACER 4,84	63
60730905502	STRIPPER (6 MM/30MM)	77
60730908601	STRIPPE	79
60730908700	DISCHARGE STRIPPER PREASSEMBLED 6 MM (FROM DEVICE- NO. 1581321)	79
60731002500	SPACER RING 8,84	67
60731005500	STRIPPER USA (10 MM)	77
60731202500	SPACER RING 10,84	69
60731602500	SPACER RING	71
60732002500	SPACER RING 18,84	73
60734528300	INFEED CHUTE STEAKER	5, 25
60734536100	BASIC PARTS S121	5, 27
60734800301	NAMEPLATE S111 US	43
60734800501	NAMEPLATE S111 CAN	43
60734800502	NAMEPLATE S 111 120V 60HZ	43
60734801002	ADH.CIR.DIAGR. AC 230V S111 EURO	7, 43
60734801102	ADH.CIR.DIAGR. AC LED S111 120V UL/CS	7, 43
60734802100	ADH.CIR.DIAGR. AC LED S111 100V/50Z JAP	7, 43
60734900100	PACKAGING S- 111	47
60734900500	PACKAGING S111 INFEED CHUTE	25, 47
60734901000	PACKAGING S- 111 FEED PAN	47, 49
60735301100	PRINTED BOARD S111 I/O LED BEGIN SERIAL	15
60736100400	STRAND CAPACITOR- HOUSING S- 111	13
60736100600	CABLE I/O SWITCH AC S111	17
60736100700	STRAND GROUND: WIRE S111 (ONLY FOR 230 V)	15
60736100800	CA. I/O SWI.AC S 111 (WITH PLUG)	17
60736190100	KA LI BK AWG18 1015 0,200M	13
60736400200	ON/OFF SWITCH RAFI 230V	15

Index

Material No.	Material description	Page
60736401102	COVER HOOD PRE- ASSEMBLED 230V	7, 15
60736421101	COVER HOOD PRE- MOUNT. 120V	7, 15
60785020165	PCBA Knife Control 230V	9
60787020165	PCBAP Knife Control 230V	7
60787040165	PCBAP KNIFE CONTROL 120V STEAKER	7
67501171201	BIZERBA NAMEPLATE L87 H18	23, 43
67501214700	warning plate USA	43
67509001603	NAMEPLATE S 111 PLUS CE	43
67509001703	NAMEPLATE S 111 PLUS 220V 60HZ	43
67509006503	NAMEPLATE S 111 PLUS 240V 50HZ	43
71004310000	Cabel Tie T18R	7, 13
71004320000	Cable Tie T40R	7
71010630000	CABLE GLAND PG13.5 PA6	33
71026960000	PRESSURE SWITCH SW UL	41
71026990000	PRESSURE SWITCH 250V 16A	17
71051120000	Lead-Through Sleeve 02520058010	33
71092210000	CAPACITOR MP 30MF 250V	13
71117100000	GLOW LAMP 3SX1 701 220V BX9S	17
71119000000	GLOW LAMP 24V 1200110000	15
71130260000	Terminal Strip MK 3/8	13
71145320000	CONTACTOR CA4- 9- 10/240V, 50/60(100- M09NK	13
71145330000	CONTACT.CA4- 9- 10/220V,50/60(100- M09NKF3)	13
71161130000	NUT M PG 13.5	33
71169060000	fixture clip HP-6N	7
71199380000	SWITCH ELEMENT, PLUGGAB. (S111)	17
71199410000	SWITCH	17
71228720000	FASTENING CLIP 312003 D = 35MM	13
71451530000	Fuse Element T 4.0A	7, 11
76090010000	CAPACITOR MP 220/240V 10MF 400V	13
94008900059	GREASE PARALIQ GA343 H1 25ML	45
95943850002	UHU- PLUS ENDFEST 300	45
95944130000	Putty Epple 22 100ml	37, 39
95972660002	Loctite 326 50ml	45
95972670002	Loctite 7091 1000ml	41, 45
95972810002	Roccasol 220 SI / 310ml	45
95972840000	SCREW SEALING ADHESIVE LOCTITE 648 10ML	25, 45, 79
95972940000	SCREW SEALING LOCTITE 242 10ML	15, 29, 31, 35, 37, 39, 41, 45, 49, 55, 57, 61, 63, 65, 67, 69, 71, 73, 75
95972990002	Loctite 290	45
95973900000	LOCTITE 638 10ML 142619	45
96000830000	FLUID GREASE F.L.G 3- 1/H1	37, 39
96055040001	GREASE ISOFLEX TOPAS NB 5051	45
96055050000	Lubricating Oil F.L.5 Oil UH1	45
96055080000	Kluebersynth UH1 64-62/25kg	45