



Residential Gas Replacement Parts List

PV Series Ultra Low NOx Models



Models Covered:
URG1PV40S*19
URG2PV40T*19
URG1PV50S*19
URG2PV50T*19
URG2PV50H*19
URG2PV75H*19

Includes Hydrojet®
Total Performance System

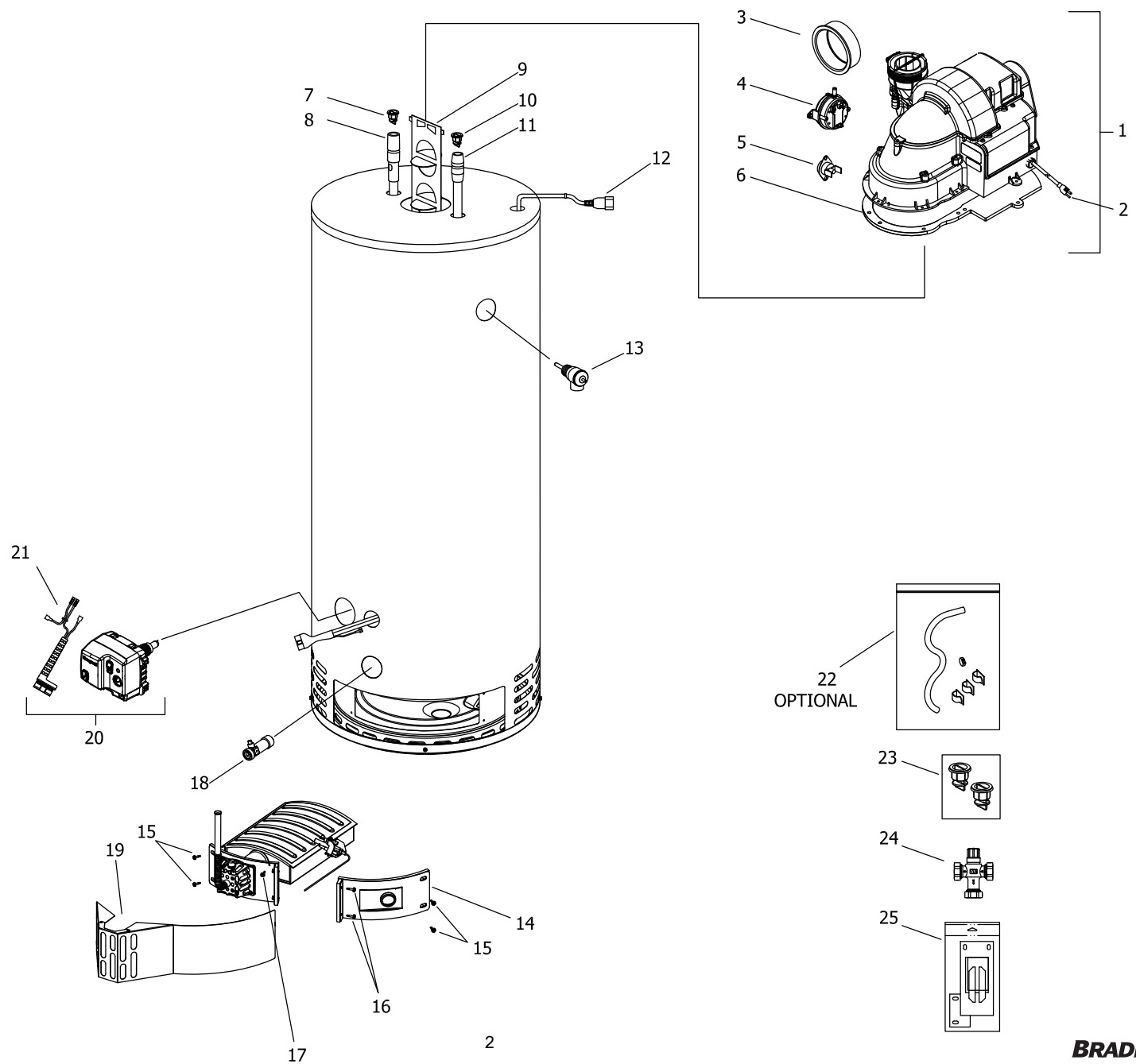
Effective: January, 2023
ECO 8248-3

**NOTE: BOTH MODEL AND SERIAL
NUMBERS ARE REQUIRED FOR
ORDERING REPLACEMENT PARTS**

Dimensions and specifications
subject to change without notice.

WARNING
CANCER AND REPRODUCTIVE HARM
WWW.P65WARNINGS.CA.GOV

As required by the state of California Proposition 65.



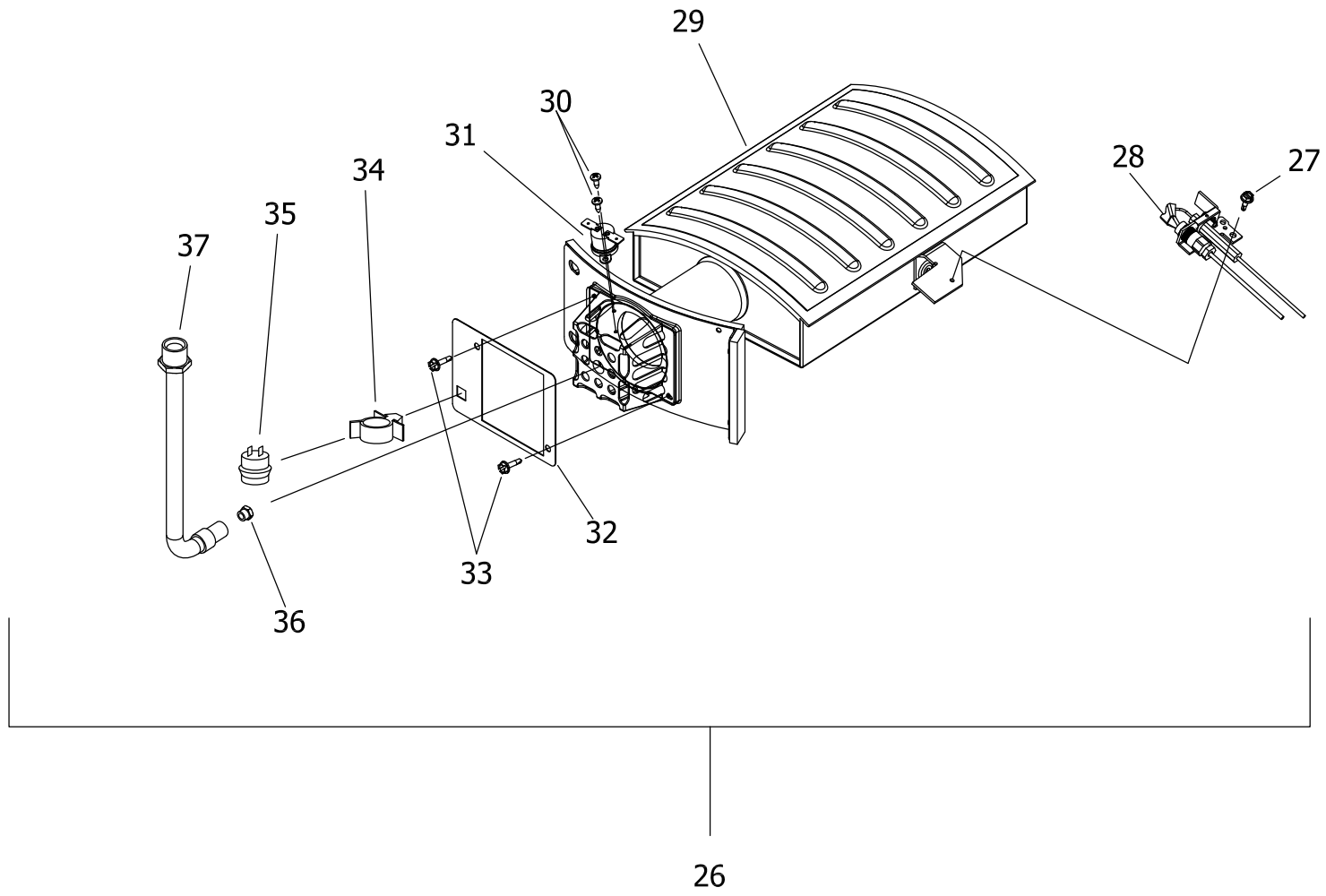
Item Description	Model	Model	Model	Model
	URG1PV40S*N19	URG1PV50S*N19	URG2PV40T*N19	URG2PV50T*N19
1 Blower Complete	415-53662-00	415-53662-00	415-53662-00	415-53662-00
2 Blower Power Cord 8 Feet	239-44466-00	239-44466-00	239-44466-00	239-44466-00
Blower Power Cord 10 Feet	239-45990-00	239-45990-00	239-45990-00	239-45990-00
3 Gasket Adapter Rubber PVC	415-53864-00	415-53864-00	415-53864-00	415-53864-00
4 Pressure Switch	415-45867-05	415-45867-05	415-45867-05	415-45867-05
5 Blower Temperature Switch	415-53692-00	415-53692-00	415-53692-00	415-53692-00
6 Blower Gasket	415-53693-00	415-53693-00	415-53693-00	415-53693-00
7 Heat Trap Insert (Outlet)	415-45167-00	415-45167-00	415-45167-00	415-45167-00
8 Hot Water Outlet Anode (Magnesium)▲ #	415-47776-19	415-47776-19	415-47776-19	415-47776-19
Hot Water Outlet Anode (Aluminum)▲#	415-32999-42	415-32999-42	415-32999-42	415-32999-42
Hot Water Outlet Anode (A420 Aluminum)▲ #	415-49560-08	415-49560-08	415-49560-10	415-49560-10
9 Flue Baffle	243-53013-00	243-53013-00	243-53012-00	243-53012-00
10 Heat Trap Insert (Inlet)	415-51556-00	415-51556-00	415-45167-00	415-45167-00
11 Cold Water Inlet Dip Tube (PEX)▲▲	229-53466-02	415-51230-25	229-53466-01	---
Cold Water Inlet Dip Tube (Polysulfone)▲▲	---	---	---	415-45092-06
12 Blower Harness	239-53966-01	239-53966-01	239-53966-02	239-53966-02
13 T&P Relief Valve	415-40594-02	415-40594-02	415-40594-02	415-40594-02
14 Right Side Inner Door Complete	239-48216-20	239-48216-20	239-48216-18	239-48216-18
15 Screw-#10-12 x 3/4 HWH	239-44113-00	239-44113-00	239-44113-00	239-44113-00
16 Screw #8-18 x 3/4 HWH SLOT	239-44195-00	239-44195-00	239-44195-00	239-44195-00
17 Screw #8 X 3/4 HEX HD	239-81253-00	239-81253-00	239-81253-00	239-81253-00
18 Brass Drain Valve	415-42351-02	415-42351-02	415-42351-02	415-42351-02
19 Outer Door	239-46209-00	239-46209-00	239-46209-00	239-46209-00
20 Gas Valve Direct Replacement (Natural Gas)	239-49823-01	239-49823-01	239-49823-02	239-49823-02
21 Flammable Vapor Sensor Harness	239-50066-00	239-50066-00	239-50066-00	239-50066-00
22 Condensate Hose Kit (Optional)	415-45875-00	415-45875-00	415-45875-00	415-45875-00
23 Kit-Heat Trap Insert	239-51572-00	239-51572-00	265-45420-00	265-45420-00
24 ASSE Approved Mixing Valve (Optional)	239-51778-00	239-51778-00	239-51778-00	239-51778-00
25 Inner Door Gasket Kit (Ultra Low NOx)	239-51576-00	239-51576-00	239-51576-00	239-51576-00

* Applies to all warranties

Anode may need to be cut to length, see page 6

▲ Order with item 7

▲▲ Order with item 10

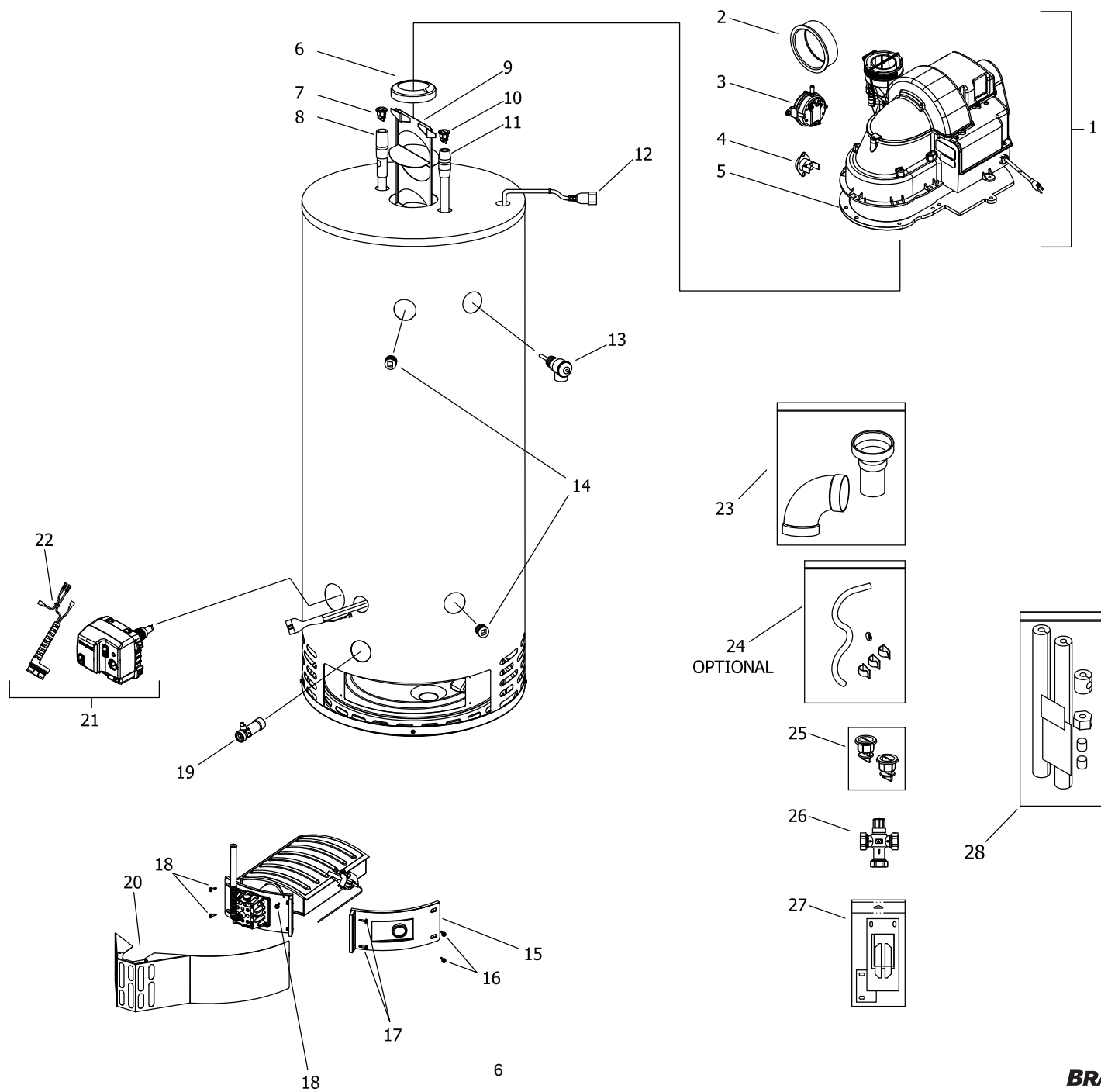


Item Description	Model	Model	Model	Model
	URG1PV40S*N19	URG1PV50S*N19	URG2PV40T*N19	URG2PV50T*N19
26 Natural Gas (N) Main Burner Assembly ***	265-48329-01-37	265-48329-02-37	265-48329-05-37	265-48329-01-37
27 Screw #8-18 x 1/2 HWH	239-32761-00	239-32761-00	239-32761-00	239-32761-00
28 Pilot Assembly**	265-48175-04	265-48175-04	265-48175-04	265-48175-04
Pilot Assembly w/ inner door gasket kit	265-51574-00	265-51574-00	265-51574-00	265-51574-00
29 Burner**	228-48383-18	228-48383-20	228-48383-16	228-48383-18
30 Screw #6-20 x 3/8 PHCR	239-43967-00	239-43967-00	239-43967-00	239-43967-00
31 Thermal Switch	415-43676-03	415-43676-03	415-43676-03	415-43676-03
32 FVIR Sensor Plate	239-48341-00	239-48341-00	239-48341-00	239-48341-00
33 Screw #8-18 x 3/4 HWH SLOT	239-44195-00	239-44195-00	239-44195-00	239-44195-00
34 Flammable Vapor Sensor Clip	239-45648-00	239-45648-00	239-45648-00	239-45648-00
35 Flammable Vapor Sensor	415-45560-00	415-45560-00	415-45560-00	415-45560-00
36 Nat. Gas (N) Main Burner Orifice 0 Ft. to 10,100 Ft. **	234-18194-37	234-18194-37	234-18194-37	234-18194-37
37 Flexible Gas Feedline**	233-46930-01	233-46930-01	233-46930-01	233-46930-01

* Applies to all warranties

** Inner door gasket kit recommended

*** Ordering a complete burner assembly may increase delivery time. Please order the specific component required for the quickest delivery.



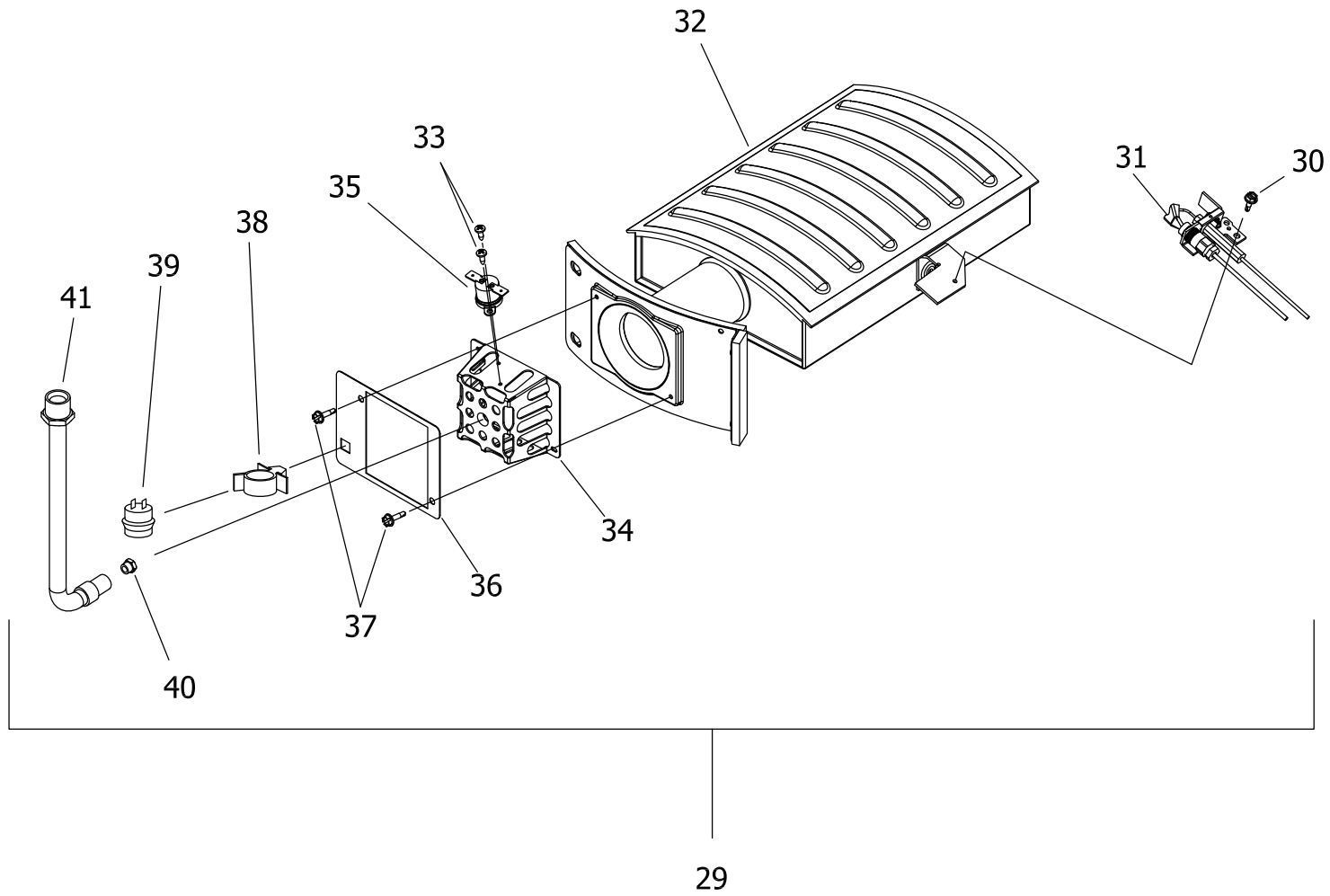
Item	Description	Model	Model
		URG2PV50H*N19	ULG2PV50H56*N19
1	Blower Complete	415-54694-00	415-54694-00
2	Gasket Adapter Rubber PVC	415-53864-00	415-53864-00
3	Pressure Switch	415-45867-06	415-45867-06
4	Blower Temperature Switch	415-53995-00	415-53995-00
5	Blower Gasket	415-53693-00	415-53693-00
6	Flue Reducer	239-53963-00	239-53963-00
7	Heat Trap Insert (Outlet)	415-45167-00	415-45167-00
8	Hot Water Outlet Anode (Magnesium)▲ #	415-47776-19	415-47776-19
	Hot Water Outlet Anode (Aluminum)▲#	415-32999-42	415-32999-42
	Hot Water Outlet Anode (A420 Aluminum)▲ #	415-49560-10	415-49560-10
9	Flue Baffle	239-45373-00	239-45373-00
10	Heat Trap Insert (Inlet)	415-51556-00	415-45167-00
11	Cold Water Inlet Dip Tube (PEX)▲▲	415-51230-20	---
	Cold Water Inlet Dip Tube (Polysulfone)▲▲	---	229-45092-08
12	Blower Harness	239-53966-02	239-53966-02
13	T&P Relief Valve	415-40594-02	415-40594-02
14	3/4" NPT Pipe Plug	239-11638-00	239-11638-00
15	Right Side Inner Door Complete	239-48216-18	239-48216-18
16	Screw-#10-12 x 3/4 HWH	239-52581-00	239-52581-00
17	Screw #8-18 x 3/4 HWH SLOT	239-44195-00	239-44195-00
18	Screw #8 X 3/4 HEX HD	239-81253-00	239-81253-00
19	Brass Drain Valve	415-42351-02	415-42351-02
20	Outer Door	239-46209-00	239-46209-00
21	Gas Valve Natural Gas	239-49823-02	239-49823-04
22	Flammable Vapor Sensor Harness	239-50066-00	239-50066-00
23	3" Exhaust Adaptor w/Vent Terminal	239-54316-00	239-54316-00
24	Condensate Hose Kit (Optional)	415-45875-00	415-45875-00
25	Kit-Heat Trap Insert	265-51572-00	265-45420-00
26	ASSE Approved Mixing Valve (Optional)	239-51778-00	239-51778-00
27	Kit-Inner Door Gasket (Ultra Low NOx)	239-51576-00	239-51576-00
28	Kit-Insulation	239-48949-00	239-48949-00

* Applies to all warranties

Anode may need to be cut to length

▲ Order with item 8

▲▲ Order with item 11

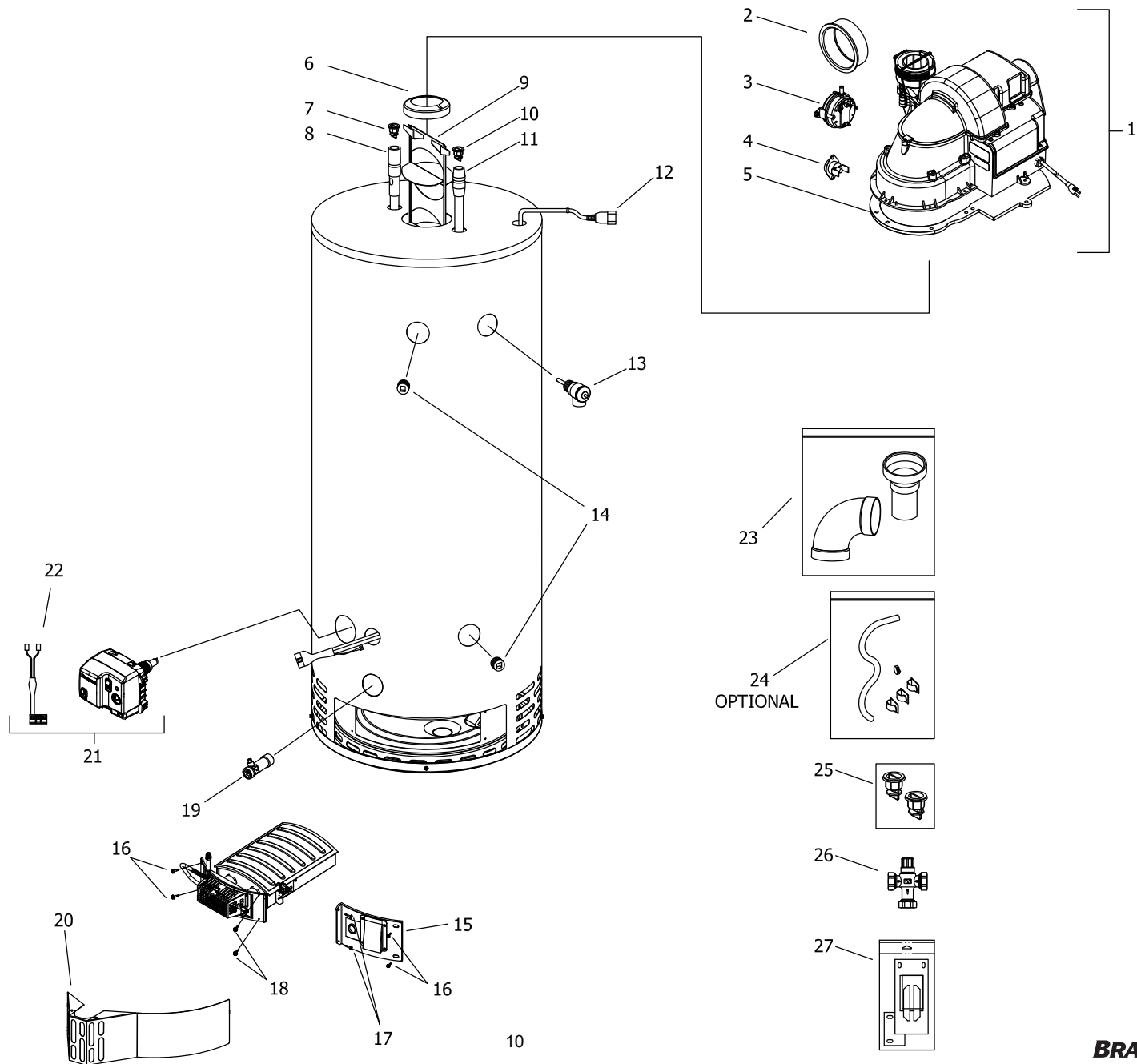


Item Description	Model	Model
	URG2PV50H*N19	ULG2PV50H56*N19
29 Burner Assembly***	265-48329-03-32	265-48329-03-32
30 Screw #8-18 x 1/2 HWH	239-32761-00	239-32761-00
31 Pilot Assembly**	233-48175-04	233-48175-04
Pilot Assembly w/ Inner Door Gasket Kit	265-51574-00	265-51574-00
32 Burner**	228-48383-19	228-48383-19
33 Screw #6-20 x 3/8 PHCR	239-43967-00	239-43967-00
34 Manifold Mount	239-46201-00	239-46201-00
35 Thermal Switch	415-43676-03	415-43676-03
36 FVIR Sensor Plate	239-48341-00	239-48341-00
37 Screw #8-18 x 3/4 HWH	239-44195-00	239-44195-00
38 Flammable Vapor Sensor Clip	239-45648-00	239-45648-00
39 Flammable Vapor Sensor	415-45560-00	415-45560-00
40 Nat. Gas (N) Main Burner Orifice 0 Ft. to 10,100 Ft. **	234-18194-32	234-18194-32
41 Flexible Gas Feedline	233-46930-01	233-46930-01

* Applies to all warranties

** Inner door gasket kit recommended

*** Ordering a complete burner assembly may increase delivery time. Please order the specific component required for the quickest delivery.



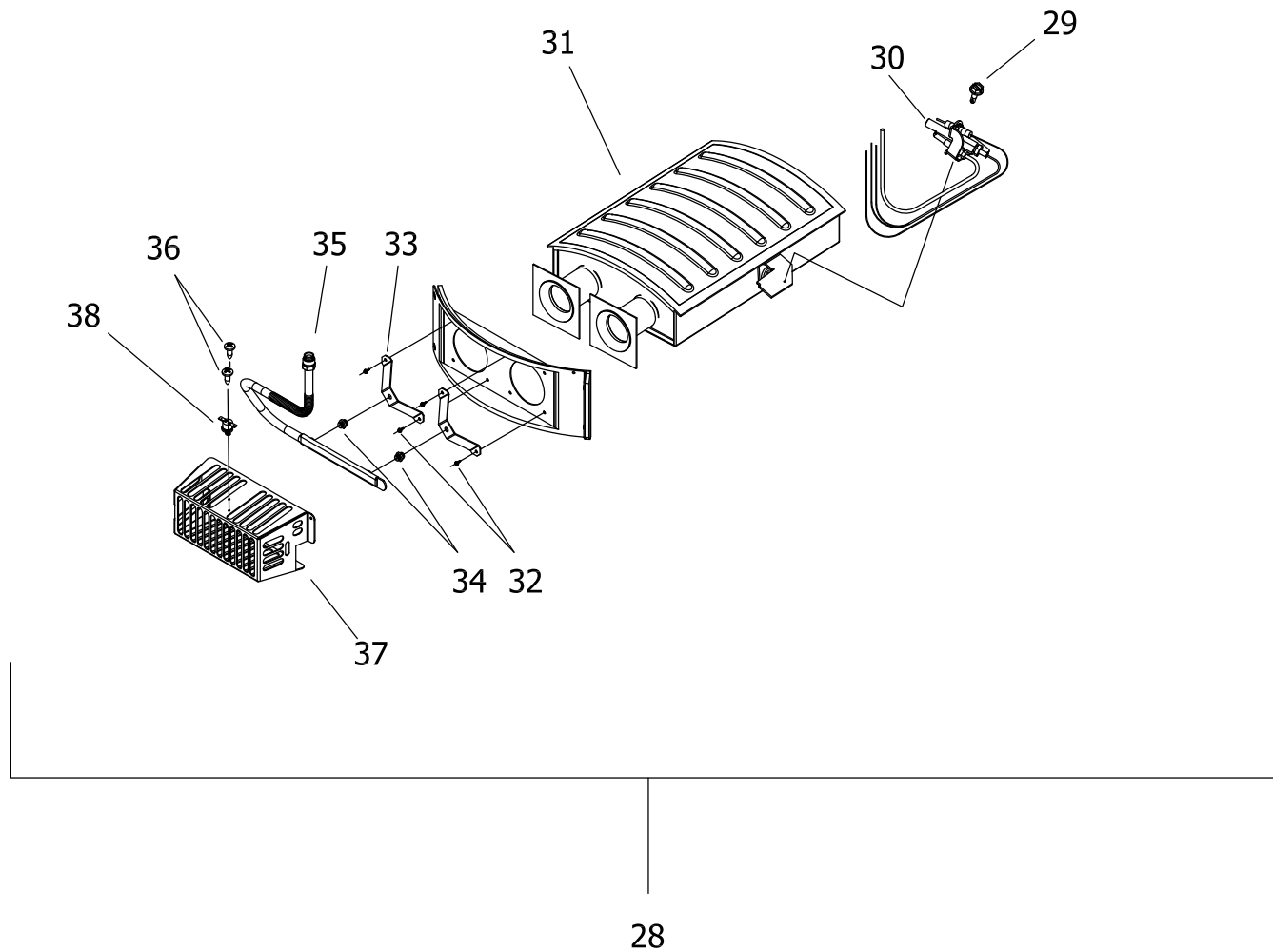
Item Description	Model	Model
	URG2PV75H*N19	ULG2PV75H76*N19
1 Blower Complete	415-53964-00	415-53964-00
2 Gasket Adapter Rubber PVC	415-53864-00	415-53864-00
3 Pressure Switch	415-45867-07	415-45867-07
4 Blower Temperature Switch	415-53995-00	415-53995-00
5 Blower Gasket	415-53693-00	415-53693-00
6 Flue Reducer	243-42572-00	243-42572-00
7 Heat Trap Insert (Outlet)	415-45167-00	415-45167-00
8 Hot Water Outlet Anode (Magnesium)▲ #	415-47776-19	415-47776-19
Hot Water Outlet Anode (Aluminum)▲#	415-32999-42	415-32999-42
Hot Water Outlet Anode (A420 Aluminum)▲ #	415-49560-10	415-49560-10
9 Flue Baffle	239-45373-00	239-45373-00
10 Heat Trap Insert (Inlet)	415-51556-00	415-51556-00
11 Cold Water Inlet Dip Tube (PEX)▲▲	415-51230-20	415-51230-29
12 Blower Harness	239-53966-02	239-53966-02
13 T&P Relief Valve	415-40594-02	415-40594-02
14 3/4" NPT Pipe Plug	239-11638-00	239-11638-00
15 Right Side Inner Door Complete	239-49804-22	239-49804-22
16 Screw-#10-12 x 3/4 HWH	239-52581-00	239-52581-00
17 Screw #8-18 x 3/4 HWH SLOT	239-44195-00	239-44195-00
18 Screw #8 X 3/4 HEX HD	239-81253-00	239-81253-00
19 Brass Drain Valve	415-42351-02	415-42351-02
20 Outer Door	239-49092-00	239-49092-00
21 Gas Valve Natural Gas	239-49823-02	239-49823-04
22 Simulated Resistive Device Harness with Leads	239-50408-00	239-50408-00
23 3" Exhaust Adaptor w/Vent Terminal	239-54316-00	239-54316-00
24 Condensate Hose Kit (Optional)	415-45875-00	415-45875-00
25 Kit-Heat Trap Insert	265-51572-00	265-51572-00
26 ASSE Approved Mixing Valve (Optional)	239-51778-00	239-51778-00
27 Kit-Inner Door Gasket (Ultra Low NOx)	239-49987-00	239-49987-00

* Applies to all warranties

Anode may need to be cut to length

▲ Order with item 7

▲▲ Order with item 10



Item Description	Model	Model
	URG2PV75H*N19	ULG2PV75H76*N19
28 Burner Assembly***	243-49930-01	265-49930-01-37
29 Screw #8-18 x 1/2 HWH	239-32761-00	239-32761-00
30 Pilot Assembly**	233-50195-01	233-50195-01
31 Burner**	228-50193-22	228-50193-22
32 Screw #8-18 x 3/4 HWH	239-44195-00	239-44195-00
33 Orifice Bracket	239-49090-00	239-49090-00
34 Nat. Gas (N) Main Burner Orifice 0 Ft. to 10,100 Ft. **	234-41034-37	234-41034-37
35 Flexible Gas Feedline	233-49091-00	233-49091-00
36 Screw #8-18 x 3/4 HWH	239-43967-00	239-43967-00
37 Manifold Cover	239-49832-00	239-49832-00
38 Thermal Switch	415-43676-03	415-43676-03

* Applies to all warranties

** Inner door gasket kit recommended

*** Ordering a complete burner assembly may increase delivery time. Please order the specific component required for the quickest delivery.

Reference Chart of Anode Length by Model

Model	Hex Head Anode Cut Length (End to end)	
	Inches	Millimeters
URG1PV40S*N19	34	864
URG1PV50S*N19	35	889
URG2PV40T*N19	42	1067
URG2PV50T*N19	44	1118
URG2PV50h*N19	47.63	1210
ULG2PV50H56*N19	47.63	1210
URG2PV75H*N19	47.63	1210
ULG2PV75H76*N19	47.63	1210



United States

Sales 800-523-2931

Technical Support 800-334-3393

Email techserv@bradfordwhite.com

Warranty 800-531-2111

Email warranty@bradfordwhite.com

Service Parts 800-538-2020

Email parts@bradfordwhite.com

Canada

Sales & Technical Support 866-690-0961 905-203-0600

Fax 905-636-0666

Warranty bwccwarranty@bradfordwhite.com

Technical Support bwccotech@bradfordwhite.com

Service Parts orders@bradfordwhitecanada.com

Orders ca.orders@bradfordwhite.com

For U.S. and Canada field service,
contact your professional installer or
local Bradford White sales representative.

International

General Contact international@bradfordwhite.com