



RESIDENTIAL GAS REPLACEMENT PARTS LIST

Manufactured Home Direct Vent “RG2DVMH” Models



Models Covered:
RG2DVMH30T*(N,X)
RG2DVMH40T*(N,X)
*Denotes warranty year

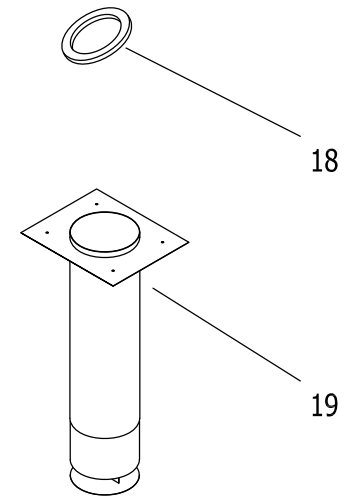
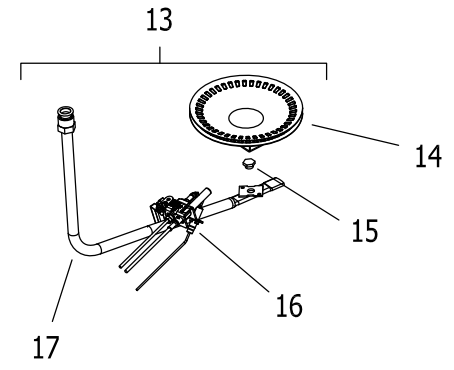
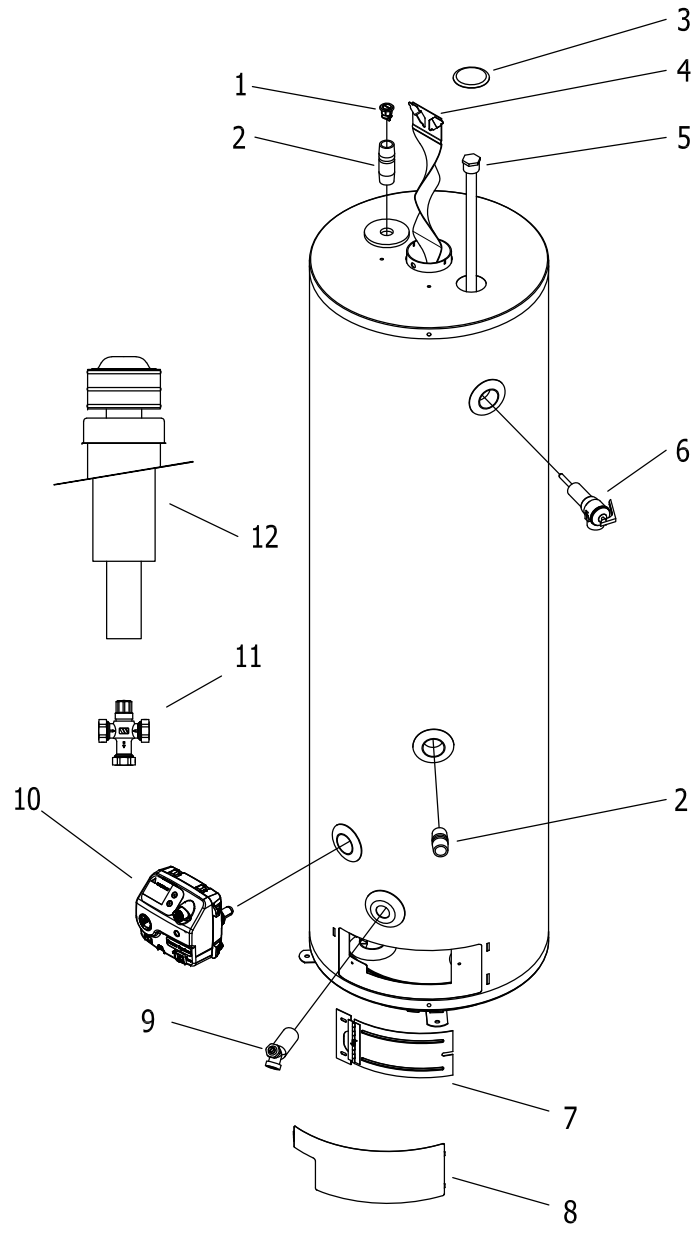
Effective: April, 2026
ECO 8937

**NOTE: BOTH MODEL AND SERIAL
NUMBERS ARE REQUIRED FOR
ORDERING REPLACEMENT PARTS**

Dimensions and specifications
subject to change without notice.

WARNING
CANCER AND REPRODUCTIVE HARM
WWW.P65WARNINGS.CA.GOV

As required by the state of California Proposition 65.



Item	Description	Model	Model
		RG2DVMH30T*(N,X)	RG2DVMH40T*(N,X)
1	Heat Trap Insert (Outlet)	415-45167-00	415-45167-00
2	Nipple Outlet 3/4 NPT X 3	415-50053-03	415-50053-03
3	Hole Closure	239-31547-02	239-31547-02
4	Flue Baffle	243-37307-00	243-37307-00
5	Hot Water Outlet Hex Segmented Anode (Magnesium)	415-55483-00	415-55483-00
	Hot Water Outlet Hex Segmented Anode (Aluminum)	415-55485-00	415-55485-00
	Hot Water Outlet Hex Segmented Anode (A420 Aluminum)	415-55487-00	415-55487-00
6	T&P Valve	415-40594-02	415-40594-02
7	Inner Door Assembly	243-42658-00	243-42658-00
8	Outer Door	221-41061-00	221-41061-00
9	Brass Drain Valve (No Handle)	415-48070-02	415-48070-02
10	LP & Nat Gas Thermostat (Resideo)***	415-53666-01	415-53666-01
11	ASSE Approved Mixing Valve (Optional)	239-51778-00	239-51778-00
12	Roof Jack 12" (Fixed)	415-37022-01	415-37022-01
	Roof Jack 18-32" (Adjustable)	415-37022-02	415-37022-02
	Roof Jack 32-60" (Adjustable)	415-37022-03	415-37022-03
	Roof Jack 48-95" (Adjustable)	415-37022-04	415-37022-04
13	Nat Gas Burner Assembly Complete***	265-54478-01-40	265-54478-02-40
	LP Gas Burner Assembly Complete***	265-54478-03-52	265-54478-04-52
14	Gas Burner	228-41174-00	228-41174-00
15	Nat Gas Main Burner Orifice 0 Ft. to 2,000 Ft.	234-37171-40	234-37171-40
	Nat Gas High Altitude Orifice 2,001 Ft. to 7,000 Ft. (-475 model suffixes)	234-37171-43	234-37171-43
	LP Gas Main Burner Orifice 0 Ft. to 2,000 Ft.	234-37171-52	234-37171-52
	LP Gas High Altitude Orifice 2,001 Ft. to 7,000 Ft. (-475 model suffixes)	234-37171-53	234-37171-53
16	Nat Gas Pilot Assembly	415-55370-01	415-55370-01
	LP Gas Pilot Assembly	415-48078-05	415-48078-05
17	Gas Feedline	233-41819-04	233-41819-05
18	Air Intake Kit Gasket	265-41135-00	265-41135-00
19	Telescoping Air Intake Kit	265-41142-00	265-41142-00
20	LP to Nat Gas Conversion Kit	243-54475-06	243-54475-06
	LP to Nat Gas Conversion Kit for 2,001 Ft. to 7,000 Ft. (-475 model suffixes)	243-54476-06	243-54476-06
	Nat to LP Gas Conversion Kit	243-54475-05	243-54475-05
	Nat to LP Gas Conversion Kit for 2,001 Ft. to 7,000 Ft. (-475 model suffixes)	243-54476-05	243-54476-05

* Applies to all warranties

*** Ordering a complete assembly may increase delivery time.

Please order the specific component required for the quickest delivery.



United States

Sales 1-800-523-2931
Technical Support 1-800-334-3393
Email techsupport@bradfordwhite.com
Warranty 1-800-531-2111
Email warranty@bradfordwhite.com
Service Parts 1-800-532-4020
Email parts@bradfordwhite.com

Canada

Sales 1-866-690-0961 1-905-203-0600
Fax 905-636-0666
Technical Support 1-800-334-3393
Email techsupport@bradfordwhite.com
Warranty 1-800-531-2111
Email warranty@bradfordwhite.com
Service Parts and Orders ca.orders@bradfordwhite.com

For U.S. and Canada field service, contact your professional installer or local Bradford White sales representative.

International

General Contact international@bradfordwhite.com