



BRADFORD WHITE[®]
W A T E R H E A T E R S

**RESIDENTIAL HEAT PUMP WATER HEATER WITH
ELECTRIC BACK UP
REPLACEMENT PARTS LIST**

Models Covered:
RE2HP50*-1NCTT
RE2HP65*-1NCTT
RE2HP80*-1NCTT
***Denotes warranty year**



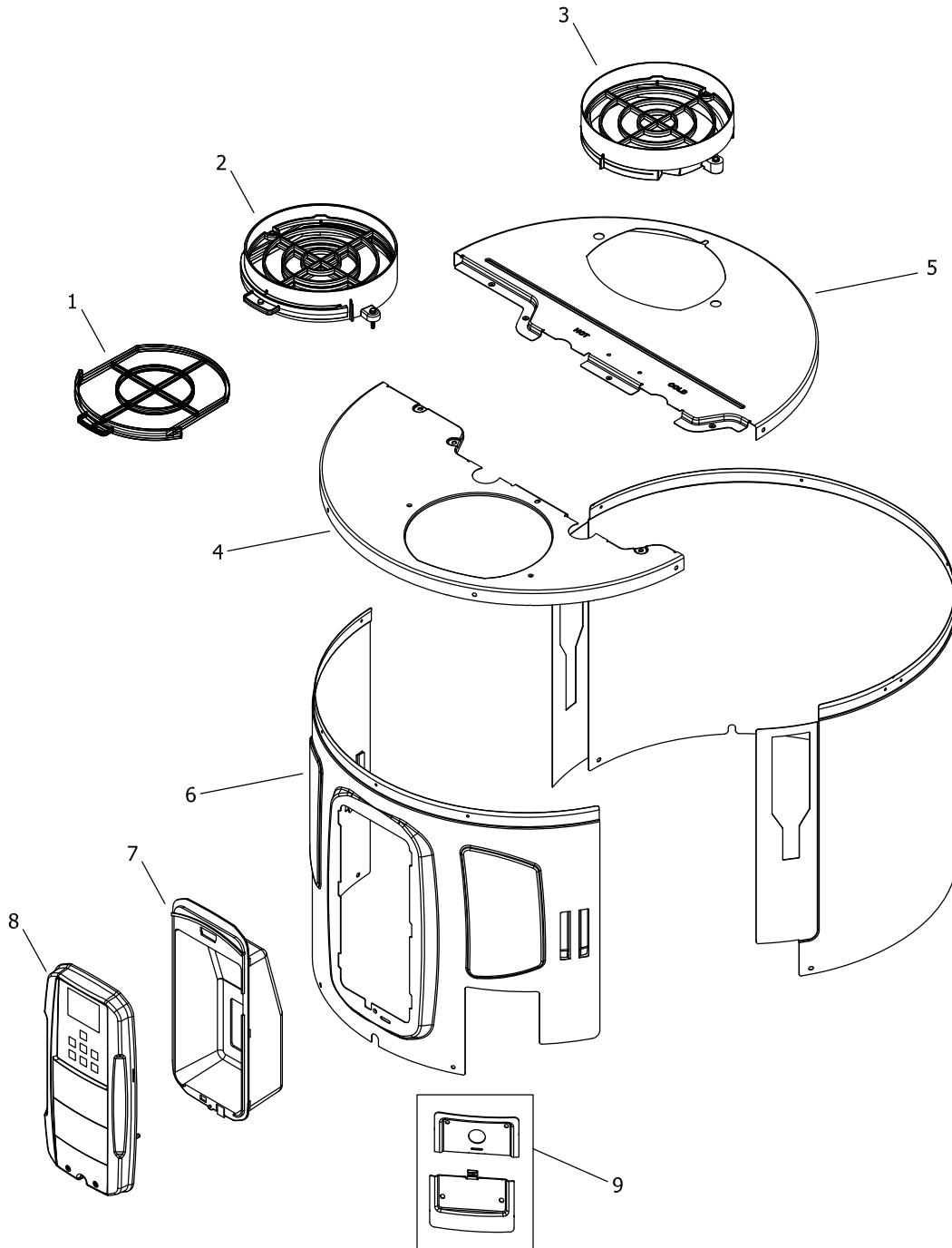
Effective: May, 2025
ECO 8535

**NOTE: BOTH MODEL AND SERIAL
NUMBERS ARE REQUIRED FOR
ORDERING REPLACEMENT PARTS**

Dimensions and specifications
subject to change without notice.

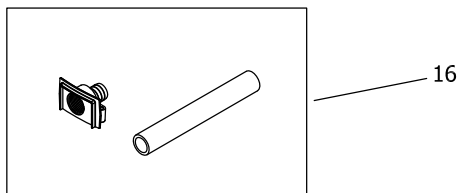
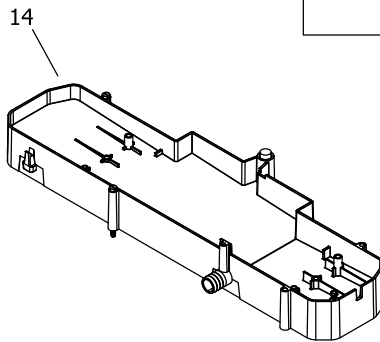
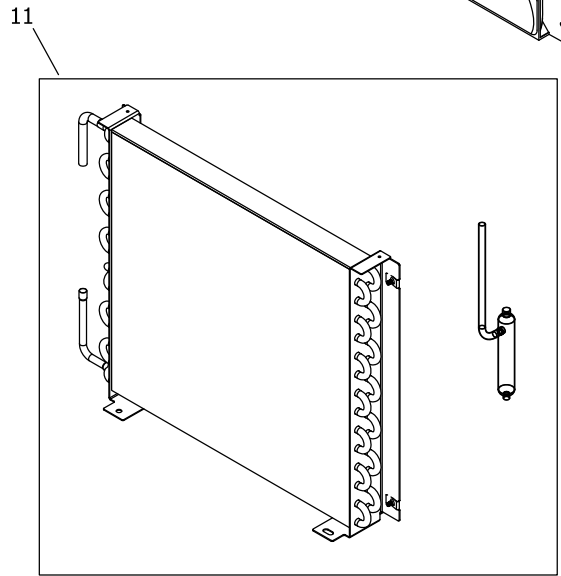
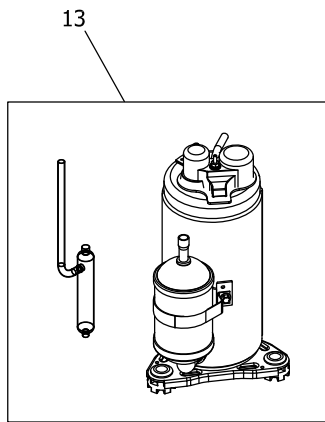
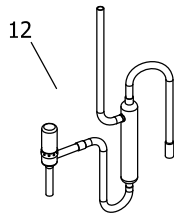
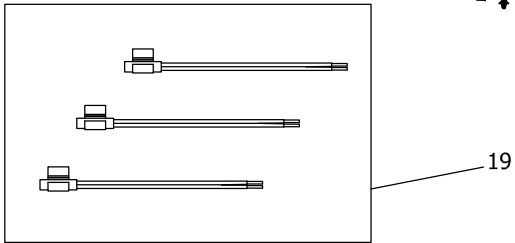
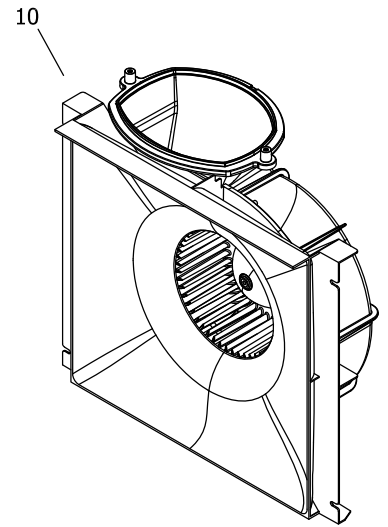
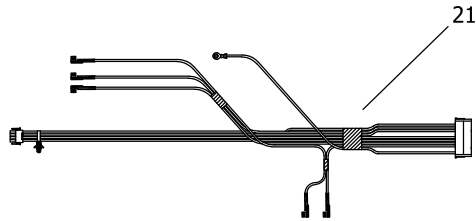
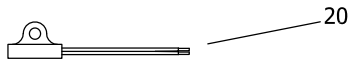
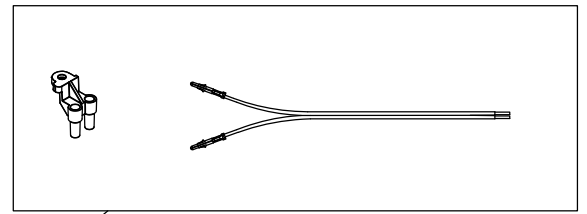
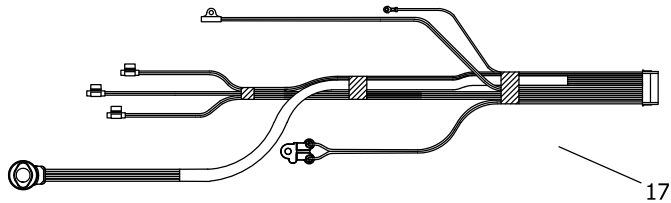
WARNING
CANCER AND REPRODUCTIVE HARM
WWW.P65WARNINGS.CA.GOV

As required by the state of California Proposition 65.



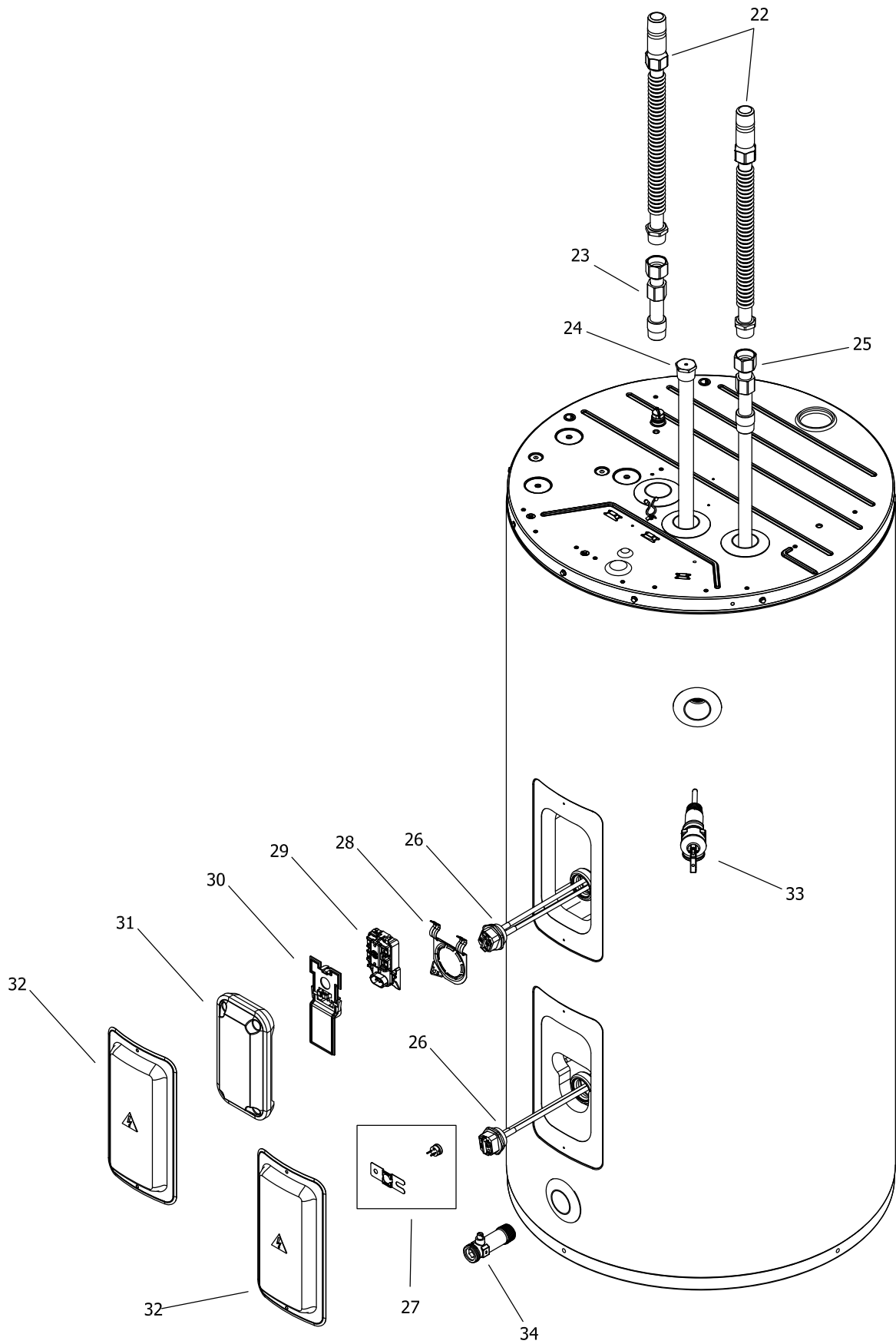
Item Description	Model RE2HP50S*	Model RE2HP65T*	Model RE2HP80T*
1 AIR FILTER	415-55232-00	415-55232-00	415-55232-00
2 FRONT DUCT	415-55513-00	415-55513-00	415-55513-00
3 REAR DUCT ADAPTOR	415-55491-00	415-55491-00	415-55491-00
4 COVER-FRONT	415-55218-00	415-55428-00	415-55428-00
5 COVER-REAR	415-55193-00	415-55429-00	415-55429-00
6 SHROUD	415-55201-00	415-55420-00	415-55420-00
7 HOUSING CONTROL BACK	415-55211-00	415-55211-00	415-55211-00
8 ASSEMBLY CONTROL AND DISPLAY	415-55204-00	415-55204-00	415-55204-00
9 COVER-ACCESS J-BOX	415-55940-00	415-55940-00	415-55940-00

*Applies to all warranties



Item Description	Model RE2HP50S*	Model RE2HP65T*	Model RE2HP80T*
10 ASSEMBLY FUNNEL AND FAN	415-55161-00	415-55161-00	415-55161-00
11 EVAPORATOR	415-55415-00	415-55415-00	415-55415-00
12 EEV VALVE ASSEMBLY	415-55155-00	415-55155-00	415-55155-00
13 COMPRESSOR ASSEMBLY - 240V	415-55137-00	415-55137-00	415-55137-00
14 CONDENSATE PAN	415-55173-00	415-55173-00	415-55173-00
15 CAPACITOR RUN-240V (SVC)	415-55186-00	415-55186-00	415-55186-00
16 CONDESATE TUBE & DRAIN	415-55714-00	415-55715-00	415-55715-00
17 HARNESS WIRING DC POST FOAM	415-55051-00	415-55051-00	415-55051-00
18 CONDENSATE OVERFLOW	415-55732-00	415-55732-00	415-55732-00
19 SENSOR ASSEMBLY	415-55733-00	415-55733-00	415-55733-00
20 AMBIENT SENSOR HARNESS	265-55582-00	265-55582-00	265-55582-00
21 HARNESS-COMPRESSOR/FAN/RUN	415-55181-00	415-55181-00	415-55181-00

*Applies to all warranties



Item Description	Model RE2HP50S*	Model RE2HP65T*	Model RE2HP80T*
22 ASSY-HOSE INLET AND OUTLET	415-55683-00	415-55683-00	415-55683-00
23 OUTLET ADAPTER-3/4"	415-55432-00	415-55432-00	415-55432-00
24 ANODE	415-55483-00	415-55483-00	415-55483-00
25 DIP TUBE KITS	415-55130-00	415-55132-00	415-55130-00
26 ELEMENT	415-52186-00	415-52186-00	415-52186-00
27 ASSY-SENSOR T1 & BRACKET (SVC)	415-55216-00	415-55216-00	415-55216-00
28 BRACKET-TSTAT RES/COMM ELEC SHORT	415-50689-00	415-50689-00	415-50689-00
29 THERMOSTAT RESIDENTIAL	415-55165-00	415-55165-00	415-55165-00
30 COVER-THERMOSTAT PROTECTOR	239-54112-00	239-54112-00	239-54112-00
31 INSULATION-ELEMENT COVER EPS	226-55190-00	226-55190-00	226-55190-00
32 COVER-ELEMENT UPPER	415-52160-00	415-52160-00	415-52160-00
33 TEMPERATURE AND PRESSURE RELEASE VALVE (T&P)	415-40594-02	415-40594-02	415-40594-02
34 DRAIN VALVE	415-48070-02	415-48070-02	415-48070-02

*Applies to all warranties



United States

Sales 1-800-523-2931
Technical Support 1-800-334-3393
Email techsupport@bradfordwhite.com
Warranty 1-800-531-2111
Email warranty@bradfordwhite.com
Service Parts 1-800-538-2020
Email parts@bradfordwhite.com

Canada

Sales 1-866-690-0961 1-905-203-0600
Fax 905-636-0666
Warranty 1-800-531-2111
Email warranty@bradfordwhite.com
Technical Support 1-800-334-3393
Email techsupport@bradfordwhite.com
Service Parts and Orders ca.orders@bradfordwhite.com

For U.S. and Canada field service, contact your professional installer or local Bradford White sales representative.

International

General Contact international@bradfordwhite.com