



RESIDENTIAL & LIGHT DUTY COMMERCIAL GAS REPLACEMENT PARTS LIST

Power Direct Vent Models (“PDV” Series)



Models Covered:
RG2PDV(40,50)S*
RG2PDV(50,75)H*
LG2PDV(50,75)H*

Includes Hydrojet® Total
Performance System

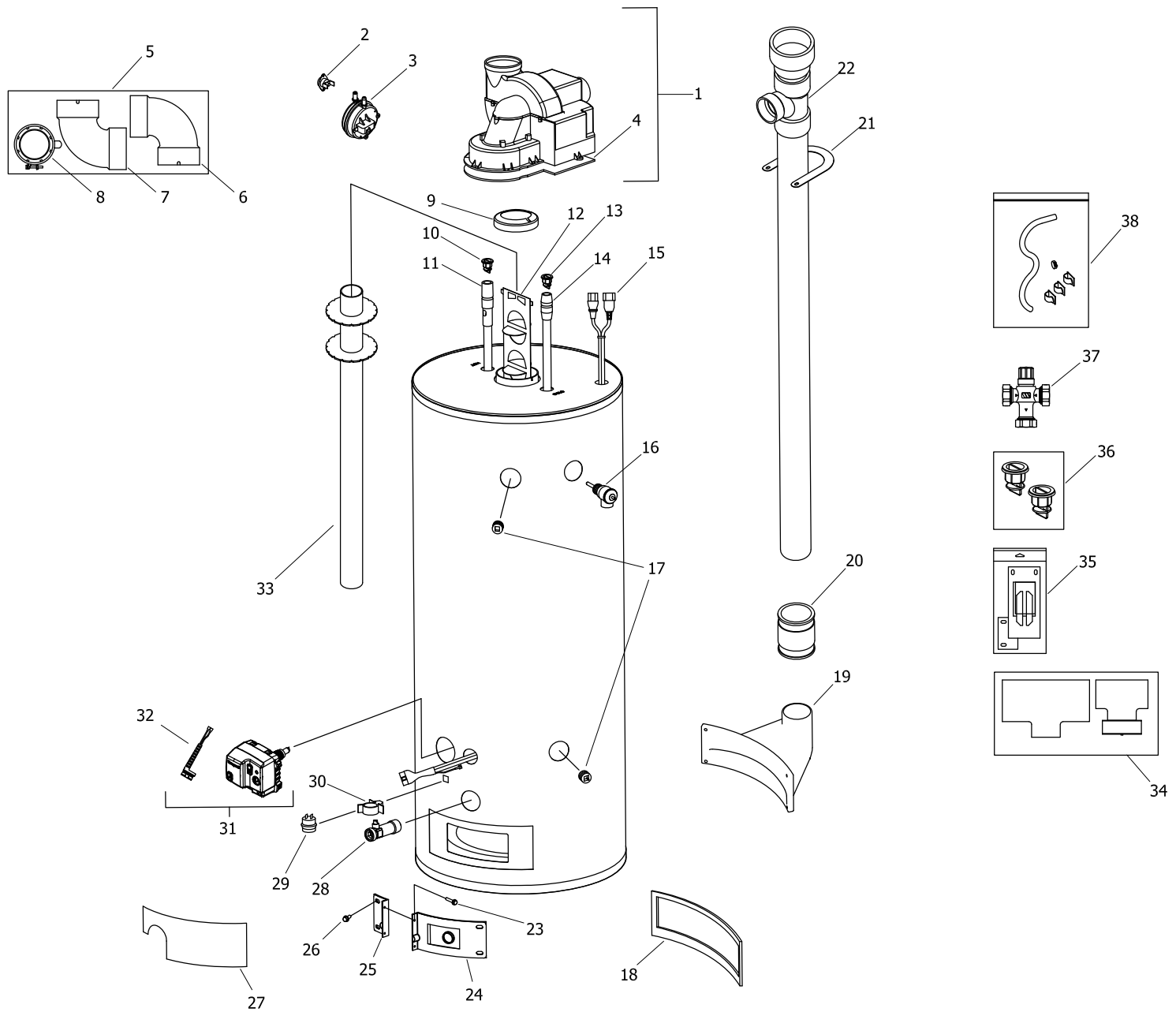
Effective: October, 2024
ECO 8780

**NOTE: BOTH MODEL AND SERIAL
NUMBERS ARE REQUIRED FOR
ORDERING REPLACEMENT PARTS**

Dimensions and specifications
subject to change without notice.



As required by the state of California Proposition 65.



| Item | Description | Model | Model | Model | Model | Model | Model |
|------|--|--------------|--------------|--------------|--------------|--------------|--------------|
| | | RG2PDV40S* | RG2PDV50S* | RG2PDV50H* | LG2PDV50H* | RG2PDV75H* | LG2PDV75H* |
| 1 | Blower Assembly (Normal Alt.) 0 Ft. to 2,000 Ft. | 415-47386-00 | 415-47386-00 | 415-47387-00 | 415-47387-00 | 415-47387-00 | 415-47387-00 |
| | Blower Assembly (-475 model suffixes) 2,100 Ft. to 7,000 Ft. | 239-48527-00 | 239-48527-00 | 239-48528-00 | 239-48528-00 | 239-48528-00 | 239-48528-00 |
| 2 | Blower Temperature Switch | 415-48752-00 | 415-48752-00 | 415-48752-00 | 415-48752-00 | 415-48752-00 | 415-48752-00 |
| 3 | Pressure Switch Exhaust (Normal Alt.) 0 Ft. to 2,000 Ft. | 415-48058-01 | 415-48058-01 | 415-48058-01 | 415-48058-01 | 415-48058-01 | 415-48058-01 |
| | Pressure Switch Exhaust (-475 model suffixes) 2,100 Ft. to 7,000 Ft. | 415-48058-02 | 415-48058-02 | 415-48058-02 | 415-48058-02 | 415-48058-02 | 415-48058-02 |
| 4 | Blower Gasket | 239-45866-00 | 239-45866-00 | 239-45866-00 | 239-45866-00 | 239-45866-00 | 239-45866-00 |
| 5 | Vent Adapter with Vent Terminal | 239-47992-00 | 239-47992-00 | 239-48781-00 | 239-48781-00 | 239-48781-00 | 239-48781-00 |
| 6 | Intake Vent Terminal Elbow | 239-39831-00 | 239-39831-00 | 415-40579-00 | 415-40579-00 | 415-40579-00 | 415-40579-00 |
| 7 | Exhaust Vent Terminal Elbow | 239-39831-00 | 239-39831-00 | 415-40579-00 | 415-40579-00 | 415-40579-00 | 415-40579-00 |
| 8 | Exhaust Adapter | 239-45709-00 | 239-45709-00 | 239-45639-00 | 239-45639-00 | 239-45639-00 | 239-45639-00 |
| 9 | Flue Reducer | --- | --- | 243-42572-00 | 243-42572-00 | --- | --- |
| 10 | Heat Trap Insert (Outlet) | 415-45167-00 | 415-45167-00 | 415-45167-00 | 415-45167-00 | 415-45167-00 | 415-45167-00 |
| 11 | Hot Water Outlet Anode (Magnesium) ▲# | 415-55482-00 | 415-55482-00 | 415-55482-00 | 415-55482-00 | 415-55482-00 | 415-55482-00 |
| | Hot Water Outlet Anode (Aluminum) ▲# | 415-55484-00 | 415-55484-00 | 415-55484-00 | 415-55484-00 | 415-55484-00 | 415-55484-00 |
| | Hot Water Outlet Anode (A420 Aluminum) ▲# | 415-55486-00 | 415-55486-00 | 415-55486-00 | 415-55486-00 | 415-55486-00 | 415-55486-00 |
| 12 | Flue Baffle | 239-45372-00 | 239-45372-00 | 239-45373-00 | 239-45373-00 | --- | --- |
| 13 | Heat Trap Insert (Inlet) | 415-51556-00 | 415-51556-00 | 415-51556-00 | 415-51556-00 | 415-45167-00 | 415-45167-00 |
| 14 | Cold Water Inlet Diptube (Polysulfone) ▲▲ | --- | --- | --- | --- | 229-45092-09 | 229-45092-09 |
| | Cold Water Inlet Diptube (PEX) ▲▲ | 229-53466-02 | 415-51230-20 | 229-51230-26 | 415-51230-29 | --- | --- |
| 15 | Blower Harness | 239-45617-03 | 239-45617-03 | 239-45617-02 | 239-45617-02 | 239-45617-02 | 239-45617-02 |
| 16 | T&P Relief Valve | 415-40594-02 | 415-40594-02 | 415-40594-02 | 415-40594-02 | 415-40594-02 | 415-40594-02 |
| 17 | 3/4 NPT Plug | --- | --- | 239-11638-00 | 239-11638-00 | 239-11638-00 | 239-11638-00 |
| 18 | Air Intake Boot Gasket | 239-47832-00 | 239-47832-00 | 239-47832-00 | 239-47832-00 | 239-47832-00 | 239-47832-00 |
| 19 | Air Intake Boot | 239-47514-18 | 239-47514-20 | 239-47514-18 | 239-47514-18 | 239-47514-22 | 239-47514-22 |
| 20 | Coupling-2 X 2 | 239-47850-00 | 239-47850-00 | 239-47850-00 | 239-47850-00 | 239-47850-00 | 239-47850-00 |
| 21 | Bracket-Vertical intake | 239-47671-02 | 239-47671-02 | 239-47671-01 | 239-47671-01 | 239-47671-01 | 239-47671-01 |
| 22 | Tee and vent pipe Assembly | 239-51391-02 | 239-51391-02 | 239-51391-04 | 239-51391-04 | 239-51391-03 | 239-51391-03 |
| 23 | Screw-#8-18 x 3/4 HWH | 239-44195-00 | 239-44195-00 | 239-44195-00 | 239-44195-00 | 239-44195-00 | 239-44195-00 |
| 24 | Right Side Inner Door | 239-45642-18 | 239-45642-20 | 239-45642-18 | 239-45642-18 | 239-47504-22 | 239-47504-22 |
| 25 | Left Side Inner Door | 239-43968-18 | 239-43968-20 | 239-43968-18 | 239-43968-18 | 239-43968-20 | 239-43968-20 |
| 26 | Screw-#10-12 x 3/4 HWH | 239-44113-00 | 239-44113-00 | 239-44113-00 | 239-44113-00 | 239-44113-00 | 239-44113-00 |
| 27 | Outer Door | 239-43962-00 | 239-43962-00 | 239-43962-00 | 239-43962-00 | 239-43962-00 | 239-43962-00 |
| 28 | Brass Drain Valve | 415-42351-02 | 415-42351-02 | 415-42351-02 | 415-42351-02 | 415-42351-02 | 415-42351-02 |
| 29 | Flammable Vapor Sensor | 415-45560-00 | 415-45560-00 | 415-45560-00 | 415-45560-00 | 415-45560-00 | 415-45560-00 |
| 30 | Flammable Vapor Sensor Clip | 239-45648-00 | 239-45648-00 | 239-45648-00 | 239-45648-00 | 239-45648-00 | 239-45648-00 |
| 31 | Gas Valve (Natural Gas) | 415-48795-02 | 415-48795-02 | 415-48795-02 | 415-48795-04 | 415-48795-02 | 415-48795-04 |
| | Gas Valve (LP Gas) | 415-48796-02 | 415-48796-02 | 415-48796-02 | 415-48796-04 | 415-48796-02 | 415-48796-04 |
| 32 | Flammable Vapor Sensor Harness | 239-49791-00 | 239-49791-00 | 239-49791-00 | 239-49791-00 | 239-49791-00 | 239-49791-00 |
| 33 | Flue Core | --- | --- | --- | --- | 239-47658-00 | 239-47658-00 |
| 34 | Air Inlet Relief Device | 239-48391-00 | 239-48391-00 | 239-48392-00 | 239-48392-00 | 239-48392-00 | 239-48392-00 |
| 35 | Inner Door Gasket Kit | 239-44078-00 | 239-44078-00 | 239-44078-00 | 239-44078-00 | 239-47792-00 | 239-47792-00 |
| 36 | Heat Trap Insert Kit (Inlet & Outlet) | 265-51572-00 | 265-51572-00 | 265-51572-00 | 265-51572-00 | 265-45420-00 | 265-45420-00 |
| 37 | ASSE Approved Mixing Valve (Optional) | 239-51778-00 | 239-51778-00 | 239-51778-00 | 239-51778-00 | 239-51778-00 | 239-51778-00 |
| 38 | Condensate Hose Kit (Optional) | 415-45875-00 | 415-45875-00 | 415-45875-00 | 415-45875-00 | 415-45875-00 | 415-45875-00 |

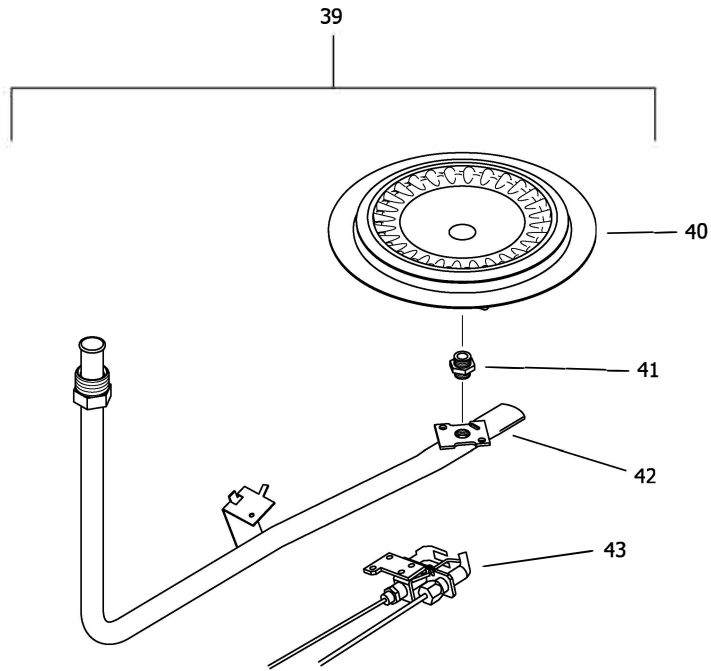
*Applies to all warranties

Please order the specific component required for the quickest delivery.

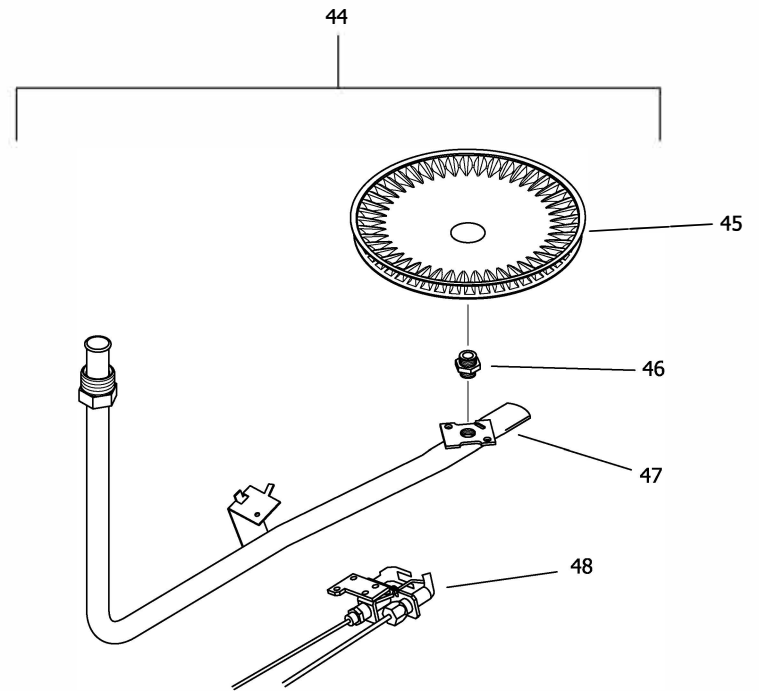
▲ Order with item 10

Anode may need to be cut to length; see end of this parts list for further information.

▲▲ Order with item 13



NATURAL GAS BURNER ASSEMBLY



LP GAS BURNER ASSEMBLY

| Item Description | Model RG2PDV40S* | Model RG2PDV50S* | Model RG2PDV50H* | Model LG2PDV50H* | Model RG2PDV75H* | Model LG2PDV75H* |
|---|---------------------|---------------------|---------------------|---------------------|---------------------|---------------------|
| NAT Gas Burner Assembly | | | | | | |
| 39 Nat. Gas Burner Assembly Complete*** | 265-47785-02-32 | 265-47785-03-32 | 265-47784-02-28 | 265-47784-02-28 | 265-51383-01-20 | 265-51383-01-20 |
| 40 Nat. Gas Burner** | 228-47000-00 | 228-47000-00 | 228-42506-00 | 228-42506-00 | 228-42506-00 | 228-42506-00 |
| 41 Nat. Gas Main Burner Orifice 0 Ft. to 2,000 Ft.** | 234-41034-32 | 234-41034-32 | 234-41034-28 | 234-41034-28 | 234-41034-20 | 234-41034-20 |
| Nat. Gas High Altitude Orifice 2,100 Ft. to 7000 Ft. (-475 model suffixes) ** | 234-41034-36 | 234-41034-36 | 234-41034-30 | 234-41034-30 | 234-41034-26 | 234-41034-26 |
| Nat. Gas High Altitude Orifice Kit 2,100 Ft. to 10,000 Ft. | 265-51380-06-40 | 265-51380-06-40 | 265-51380-06-31 | 265-51380-06-31 | 265-51380-02-29 | 265-51380-02-29 |
| 42 Nat. Gas Feedline | 233-47374-02 | 233-47374-03 | 243-47784-02 | 233-47374-02 | 233-47374-04 | 233-47374-04 |
| 43 Nat. Gas Pilot Assembly** | 415-45653-05 | 415-45653-05 | 415-45653-05 | 415-45653-05 | 415-45653-05 | 415-45653-05 |
| LP Gas Burner Assembly | | | | | | |
| 44 LP Gas Burner Assembly Complete*** | 265-47917-02-49 | 265-47917-03-49 | 265-47376-01-44 | 265-47376-01-44 | 265-47376-03-39 | 265-47376-03-39 |
| 45 LP Gas Burner** | 228-46964-00 | 228-46964-00 | 228-47000-00 | 228-47000-00 | 228-47000-00 | 228-42506-00 |
| 46 LP Gas Main Burner Orifice 0 Ft. to 2,000 Ft.** | 234-47064-49 | 234-47064-49 | 234-47064-44 | 234-47064-44 | 234-47064-39 | 234-47064-39 |
| LP Gas High Altitude Orifice 2,100 Ft. to 7,000 Ft. (-475 model suffixes) ** | 234-47064-51 | 234-47064-51 | 234-47064-47 | 234-47064-47 | 234-47064-43 | 234-47064-43 |
| LP Gas High Altitude Orifice Kit Over 7,000 Ft. to 10,000 Ft. | 265-51433-05-52 | 265-51433-05-52 | 265-51433-05-49 | 265-51433-05-49 | 265-51433-01-44 | 265-51433-01-44 |
| 47 LP Gas Feedline | 233-47672-02 | 233-47672-03 | 233-47672-02 | 233-47672-02 | 233-47672-04 | 233-47672-04 |
| 48 LP Gas Pilot Assembly** | 415-45653-04 | 415-45653-04 | 415-45653-04 | 415-45653-04 | 415-45653-04 | 415-45653-04 |
| LP to Natural Gas Conversion Kit Norm Alt. 0 Ft. to 2,000 Ft. | 265-46493-94 | 265-46493-95 | 265-46493-49 | 265-46493-112 | 265-46493-113 | 265-46493-115 |
| LP to Natural Gas Conversion Kit (High Alt.) 2,100 Ft. to 7,000 Ft. | 265-46493-110 | 265-46493-111 | 265-46493-57 | 265-46493-60 | 265-46493-114 | 265-46493-116 |

*Applies to all warranties

**Inner door gasket kit (item# 35) recommended

***Ordering a complete burner assembly may increase delivery time.

Please order the specific component required for the quickest delivery.



United States

Sales 1-800-523-2931
Technical Support 1-800-334-3393
Email techsupport@bradfordwhite.com
Warranty 1-800-531-2111
Email warranty@bradfordwhite.com
Service Parts 1-800-538-2020
Email parts@bradfordwhite.com

Canada

Sales 1-866-690-0961 1-905-203-0600
Fax 905-636-0666
Warranty 1-800-531-2111
Email warranty@bradfordwhite.com
Technical Support 1-800-334-3393
Email techsupport@bradfordwhite.com
Service Parts and Orders ca.orders@bradfordwhite.com

For U.S. and Canada field service, contact your professional installer or local Bradford White sales representative.

International

General Contact international@bradfordwhite.com