



Light Duty Commercial Electric Replacement Parts List

Light Duty Energy Saver Upright and Lowboy Models



Models Covered:
LE3(30,40,50)S*
LE1(20)L*
LE2(30,40,50)LN*
LE2(55,65,80)T*
LE2120T*

*Denotes warranty year

Includes Hydrojet®
Total Performance System

Effective: October, 2024
ECO 8780

**NOTE: BOTH MODEL AND SERIAL
NUMBERS ARE REQUIRED FOR
ORDERING REPLACEMENT PARTS**

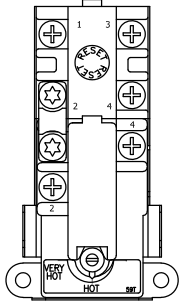
Dimensions and specifications
subject to change without notice.

WARNING
CANCER AND REPRODUCTIVE HARM
WWW.P65WARNINGS.CA.GOV

As required by the state of California Proposition 65.

TOP LOCATION

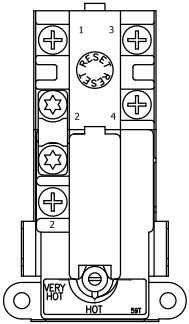
- Double element water heater.



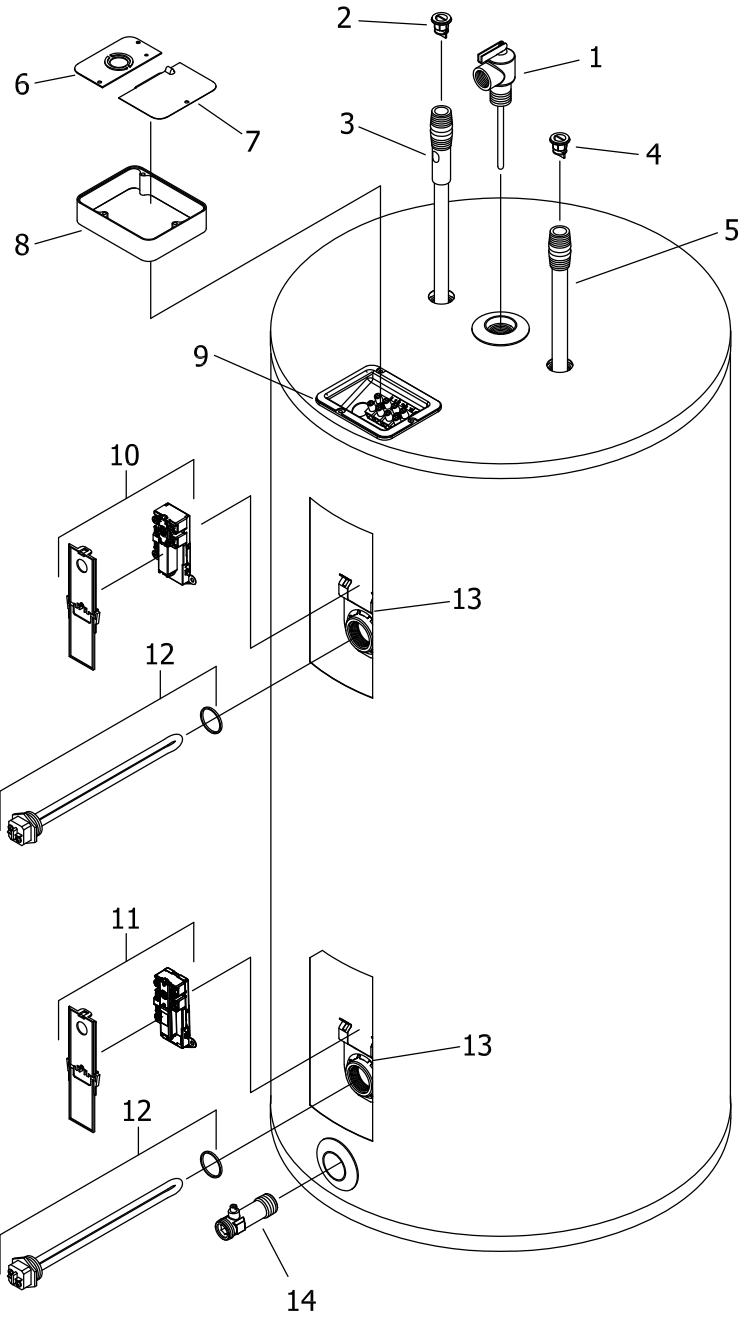
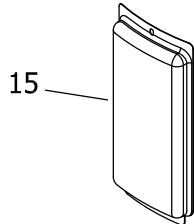
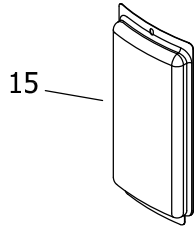
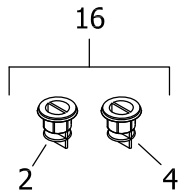
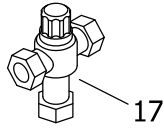
59T66T

BOTTOM LOCATION

- Single element water heater.
- Double element water heater.



59T66T



Item	Description	Model	Model	Model
		LE230S	LE240S	LE250S
1	T&P Relief Valve	415-40594-02	415-40594-02	415-40594-02
2	Heat Trap Insert (Outlet)	415-45167-00	415-45167-00	415-45167-00
3	Hot Water Outlet Anode Magnesium ♦#	415-55482-00	415-55482-00	415-55482-00
	Aluminum ♦#	415-55484-00	415-55484-00	415-55484-00
	A420 (Aluminum) ♦#	415-55486-00	415-55486-00	415-55486-00
4	Heat Trap Insert (Inlet)	415-51556-00	415-51556-00	415-51556-00
5	Cold Water Inlet Tube Pex ♦♦	415-51230-21	415-51230-21	415-51230-21
6	Cover Conduit/Ground	239-39451-00	239-39451-00	239-39451-00
7	Cover Junction box	243-39452-00	243-39452-00	243-39452-00
8	Junction Box Extender	239-40587-00	239-40587-00	239-40587-00
9	J-Box w/ Terminal Block	265-47380-00	265-47380-00	265-47380-00
10	Upper Thermostat with High Limit (59T66T) & Protector ▲▲ ∩	415-51046-00	415-51046-00	415-51046-00
	Upper and Lower Thermostat (59T66T) & Protector ▲ Φ ∩∩	415-54615-00	415-54615-00	415-54615-00
11	Lower Thermostat (59T66T) & Protector ▲▲ ∩	415-50691-00	415-50691-00	415-50691-00
	Lower Thermostat (59T66T) & Protector ▲ Φ ∩∩	415-54452-00	415-54452-00	415-54452-00
12	Heating Element 240V 4500W with Gasket*	415-48642-00	415-48642-00	415-48642-00
13	Thermostat Mounting Bracket	415-50689-00	415-50689-00	415-50689-00
14	Brass Drain Valve	415-42351-02	415-42351-02	415-42351-02
15	Access Cover	243-36618-02	243-36618-02	243-36618-02
16	Heat Trap Insert Kit	265-51572-00	265-51572-00	265-51572-00
17	ASSE Approved Mixing Valve	239-51778-00	239-51778-00	239-51778-00

♦ Order with item 2.

♦♦ Order with item 4.

▲ Thermostat protector provided in kit with thermostat.

▲▲ Thermostat protector and mounting bracket (Item# 13) provided in kit with thermostat.

Φ Mounting bracket (Item #13) not provided in kit with thermostat.

* For other voltage and wattage combinations, refer to voltage & wattage conversion kits on page 12.

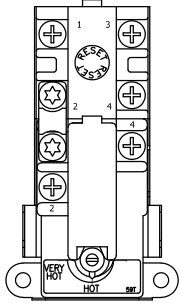
Anode may need to be cut to length, please see page 13 for reference chart of anode length by model.

∩ Design certified for products with serial numbers PRIOR to TD43243484.

∩∩ Design certified for products with serial numbers AFTER and including TD43243484.

TOP LOCATION

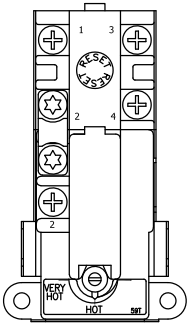
- Double element water heater.



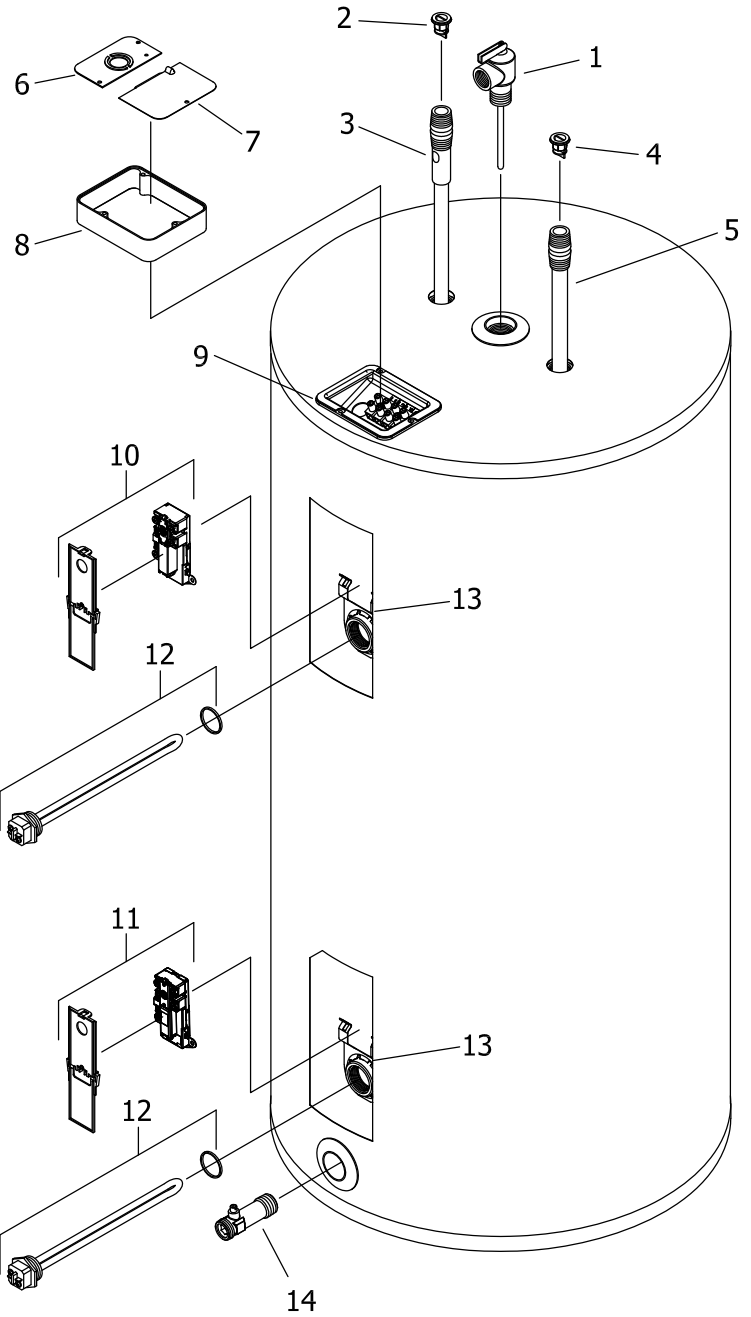
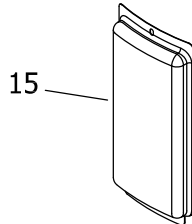
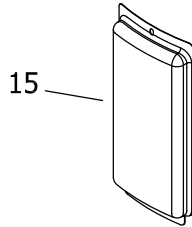
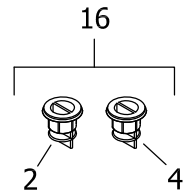
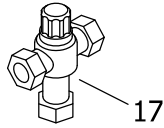
59T66T

BOTTOM LOCATION

- Single element water heater.
- Double element water heater.



59T66T



Item	Description	Model	Model	Model
		LE330S	LE340S	LE350S
1	T&P Relief Valve	415-40594-02	415-40594-02	415-40594-02
2	Heat Trap Insert (Outlet)	415-45167-00	415-45167-00	415-45167-00
3	Hot Water Outlet Anode Magnesium ♦#	415-55482-00	415-55482-00	415-55482-00
	Aluminum ♦#	415-55484-00	415-55484-00	415-55484-00
	A420 (Aluminum) ♦#	415-55486-00	415-55486-00	415-55486-00
4	Heat Trap Insert (Inlet)	415-51556-00	415-51556-00	415-51556-00
5	Cold Water Inlet Tube Pex ♦♦	415-51230-21	415-51230-21	415-51230-21
6	Cover Conduit/Ground	239-39451-00	239-39451-00	239-39451-00
7	Cover Junction box	243-39452-00	243-39452-00	243-39452-00
8	Junction Box Extender	239-40587-00	239-40587-00	239-40587-00
9	J-Box w/ Terminal Block	265-47380-00	265-47380-00	265-47380-00
10	Upper and Lower Thermostat (59T66T) & Protector ▲ Φ	415-54615-00	415-54615-00	415-54615-00
11	Lower Thermostat (59T66T) & Protector ▲ Φ	415-54452-00	415-54452-00	415-54452-00
12	Heating Element 240V 4500W with Gasket*	415-48642-00	415-48642-00	415-48642-00
13	Thermostat Mounting Bracket	415-50689-00	415-50689-00	415-50689-00
14	Brass Drain Valve	415-42351-04	415-42351-04	415-42351-04
15	Access Cover	243-36618-02	243-36618-02	243-36618-02
16	Heat Trap Insert Kit	265-51572-00	265-51572-00	265-51572-00
17	ASSE Approved Mixing Valve	239-51778-00	239-51778-00	239-51778-00

♦ Order with item 2.

♦♦ Order with item 4.

▲ Thermostat protector provided in kit with thermostat.

▲▲ Thermostat protector and mounting bracket (Item# 13) provided in kit with thermostat.

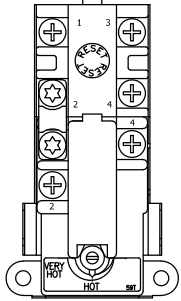
Φ Mounting bracket (Item #13) not provided in kit with thermostat.

* For other voltage and wattage combinations, refer to voltage & wattage conversion kits on page 12.

Anode may need to be cut to length, please see page 13 for reference chart of anode length by model.

TOP LOCATION

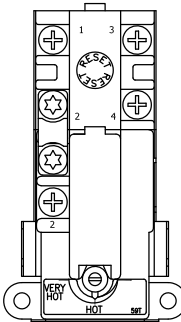
- Double element water heater.



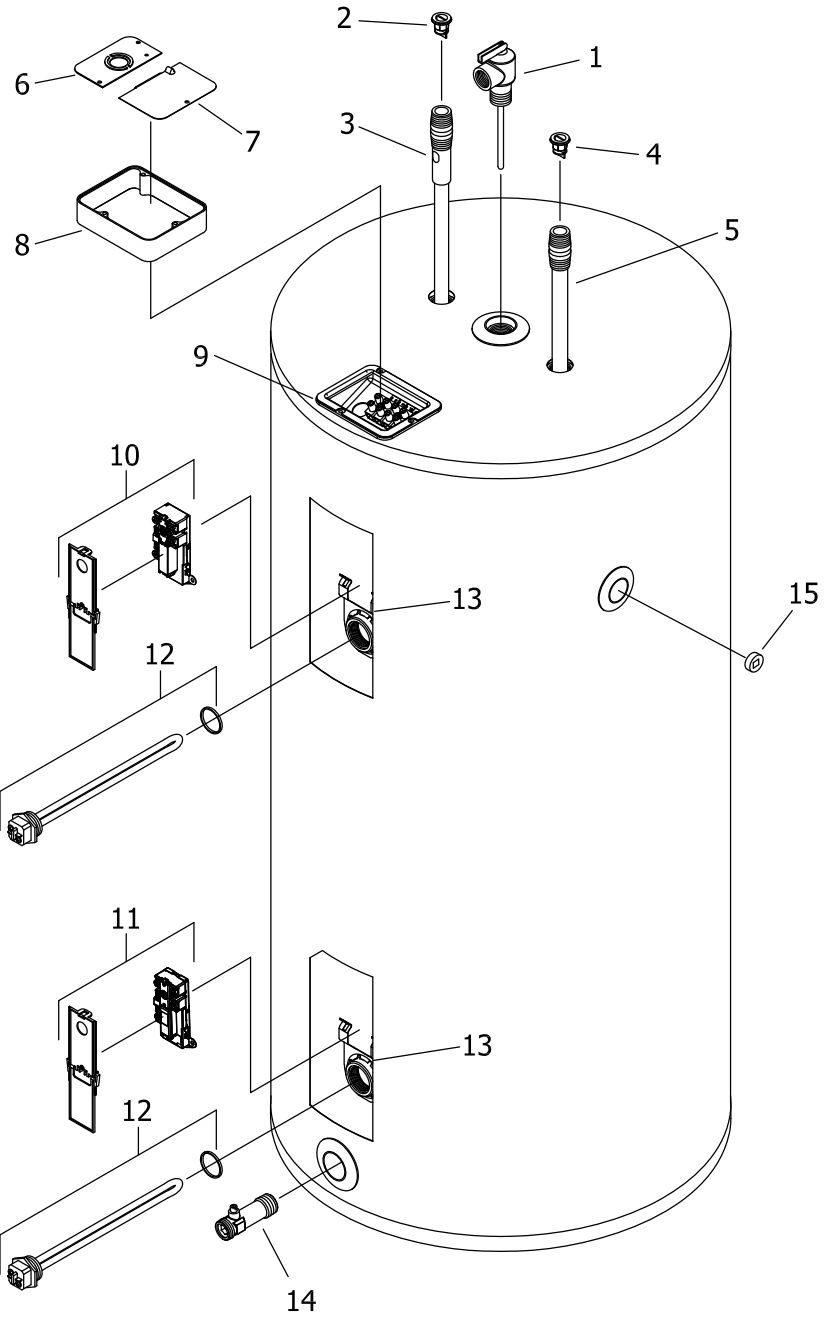
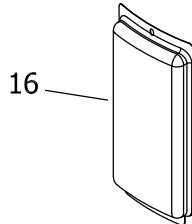
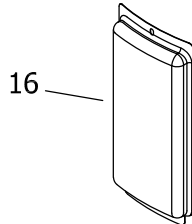
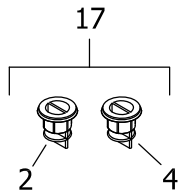
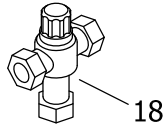
59T66T

BOTTOM LOCATION

- Single element water heater.
- Double element water heater.



59T66T



Item	Description	Model LE120L	Model LE130L	Model LE140L	Model LE150L
1	T&P Relief Valve	415-40594-02	415-40594-02	415-40594-02	415-40594-02
2	Heat Trap Insert (Outlet)	415-45167-00	415-45167-00	415-45167-00	415-45167-00
3	Hot Water Outlet Anode Magnesium ♦#	415-55482-00	415-55482-00	415-55482-00	415-55482-00
	Aluminum ♦#	415-55484-00	415-55484-00	415-55484-00	415-55484-00
	A420(Aluminum) ♦#	415-55486-00	415-55486-00	415-55486-00	415-55486-00
4	Heat Trap Insert (Inlet)	415-51556-00	415-51556-00	415-51556-00	415-51556-00
5	Cold Water Inlet Tube PEX ♦♦	415-51230-01	229-51718-04	415-51230-27	415-51230-27
6	Cover Conduit/Ground	239-39451-00	239-39451-00	239-39451-00	239-39451-00
7	Cover Junction box	243-39452-00	243-39452-00	243-39452-00	243-39452-00
8	Junction Box Extender	239-40587-00	239-40587-00	239-40587-00	239-40587-00
9	J-Box w/ Terminal Block	265-47380-00	265-47380-00	265-47380-00	265-47380-00
10	Upper Thermostat with High Limit (59T66T) & Protector ▲▲ ∩	415-51046-00	415-51046-00	415-51046-00	415-51046-00
	Upper and Lower Thermostat (59T66T) & Protector ▲ Φ ∩∩	415-54615-00	415-54615-00	415-54615-00	415-54615-00
11	Lower Thermostat (59T66T) & Protector ▲▲ ∩	415-50691-00	415-50691-00	415-50691-00	415-50691-00
	Lower Thermostat (59T66T) & Protector ▲ Φ ∩∩	415-54452-00	415-54452-00	415-54452-00	415-54452-00
12	Heating Element 240V 4500W with Gasket*	415-48642-00	415-48642-00	415-48642-00	415-48642-00
13	Thermostat Mounting Bracket	415-50689-00	415-50689-00	415-50689-00	415-50689-00
14	Brass Drain Valve	415-42351-02	415-42351-02	415-42351-02	415-42351-02
15	Plug-3/4" NPT	239-11638-00	239-11638-00	239-11638-00	239-11638-00
16	Access Cover	243-36618-02	243-36618-02	243-36618-02	243-36618-02
17	Heat Trap Insert Kit	265-51572-00	265-51572-00	265-51572-00	265-51572-00
18	ASSE Approved Mixing Valve	239-51778-00	239-51778-00	239-51778-00	239-51778-00

♦ Order with item 2.

♦♦ Order with item 4.

▲ Thermostat protector provided in kit with thermostat.

▲▲ Thermostat protector and mounting bracket (Item# 13) provided in kit with thermostat.

Φ Mounting bracket (Item #13) not provided in kit with thermostat.

* For other voltage and wattage combinations, refer to voltage & wattage conversion kits on page 12.

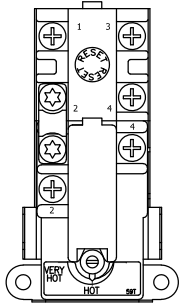
Anode may need to be cut to length, please see page 13 for reference chart of anode length by model.

∩ Design certified for products with serial numbers PRIOR to TD43243484.

∩∩ Design certified for products with serial numbers AFTER and including TD43243484.

TOP LOCATION

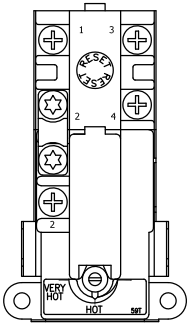
- Double element water heater.



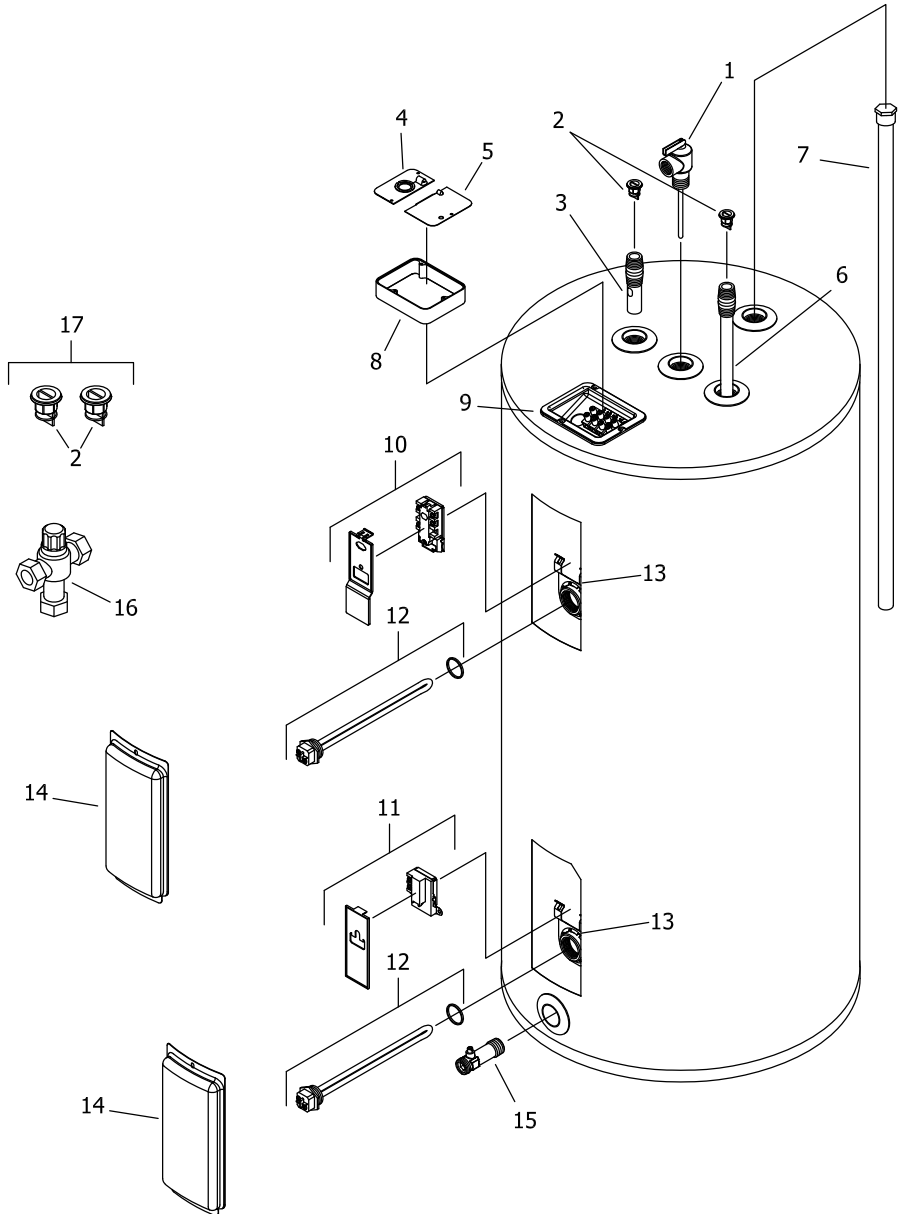
59T66T

BOTTOM LOCATION

- Single element water heater.
- Double element water heater.



59T66T



Item	Description	Model	Model	Model
		LE230LN	LE240LN	LE250LN
1	T&P Relief Valve	415-40594-04	415-40594-04	415-40594-04
2	Heat Trap Insert	415-51556-00	415-51556-00	415-51556-00
3	Hot Water Outlet Device♦	229-51995-00	229-51858-00	229-51858-00
4	Cover Conduit/Ground	239-39451-00	239-39451-00	239-39451-00
5	Cover Junction Box	243-39452-00	243-39452-00	243-39452-00
6	Cold Water Inlet Tube PEX ♦	229-51718-03	229-52007-01	229-51718-02
7	Hex Head Anode Magnesium #	415-55483-00	415-55483-00	415-55483-00
	Aluminum #	415-55485-00	415-55485-00	415-55485-00
	A420 (Aluminum)#	415-55487-00	415-55487-00	415-55487-00
8	Junction Box Extender	239-40587-00	239-40587-00	239-40587-00
9	J-Box w/ Terminal Block	265-47380-00	265-47380-00	265-47380-00
10	Upper Thermostat with High Limit (59T66T) & Protector ▲▲ ∩	415-51046-00	415-51046-00	415-51046-00
	Upper and Lower Thermostat (59T66T) & Protector ▲ Φ ∩∩	415-54615-00	415-54615-00	415-54615-00
11	Lower Thermostat (59T66T) & Protector ▲▲ ∩	415-50691-00	415-50691-00	415-50691-00
	Lower Thermostat (59T66T) & Protector ▲ Φ ∩∩	415-54452-00	415-54452-00	415-54452-00
12	Heating Element 240V 4500W with Gasket*	415-48642-00	415-48642-00	415-48642-00
13	Thermostat Mounting Bracket	415-50689-00	415-50689-00	415-50689-00
14	Access Cover	243-36618-02	243-36618-02	243-36618-02
15	Brass Drain Valve	415-42351-04	415-42351-04	415-42351-02
16	ASSE Approved Mixing Valve	239-51778-00	239-51778-00	239-51778-00
17	Heat Trap Insert Kit (PEX)	265-51875-00	265-51875-00	265-51875-00

♦ Order with item 2.

▲ Thermostat protector provided in kit with thermostat.

▲▲ Thermostat protector and mounting bracket (Item# 13) provided in kit with thermostat.

Φ Mounting bracket (Item #13) not provided in kit with thermostat.

* For other voltage and wattage combinations, refer to voltage & wattage conversion kits on page 12.

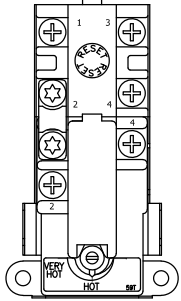
Anode may need to be cut to length, please see page 13 for reference chart of anode length by model.

∩ Design certified for products with serial numbers PRIOR to TD43243484.

∩∩ Design certified for products with serial numbers AFTER and including TD43243484.

TOP LOCATION

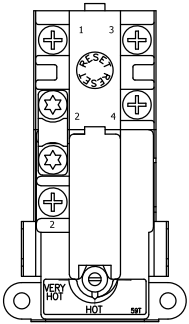
- Double element water heater.



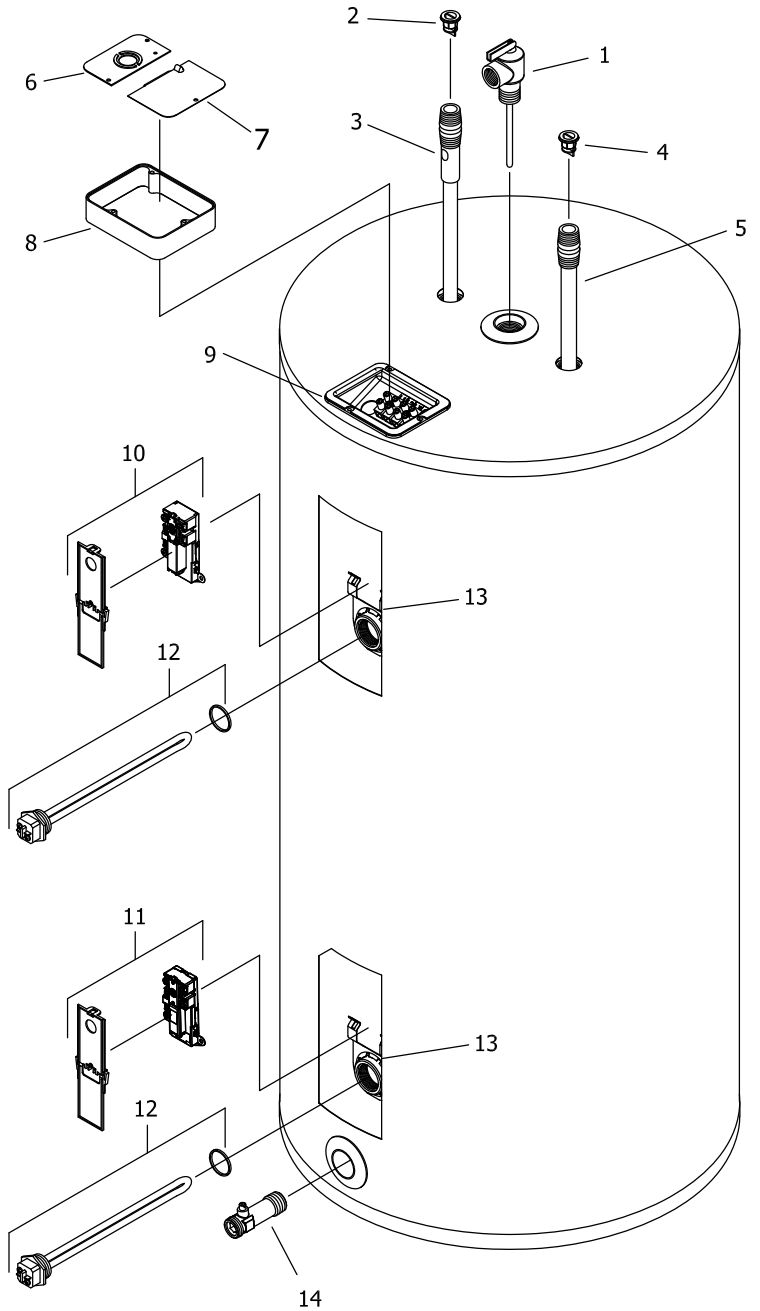
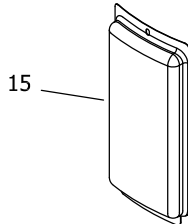
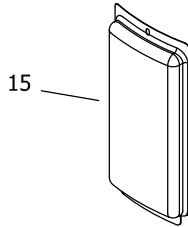
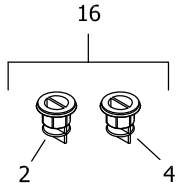
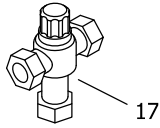
59T66T

BOTTOM LOCATION

- Single element water heater.
- Double element water heater.



59T66T

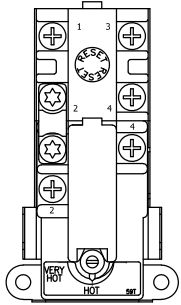


Item	Description	Model	Model	Model
		LE265T	LE280T	LE2120T
1	T&P Relief Valve	415-40594-02	415-40594-02	415-40594-02
2	Heat Trap Insert (Outlet)	415-45167-00	415-45167-00	415-45167-00
3	Hot Water Outlet Anode Magnesium ♦ #	415-55482-00	415-55482-00	415-47780-01
	Aluminum ♦ #	415-55484-00	415-55484-00	415-45036-01
	A420 (Aluminum)#	415-55486-00	415-55486-00	---
4	Heat Trap Insert (Inlet)	415-51556-00	415-51556-00	415-51556-00
5	Cold Water Inlet Tube PEX ♦♦	415-51230-22	229-51230-33	---
	Cold Water Inlet Tube Polysulfone ♦♦	---	---	229-45032-01
6	Cover Conduit/Ground	239-39451-00	239-39451-00	239-39451-00
7	Cover Junction Box	243-39452-00	243-39452-00	243-39452-00
8	Junction Box Extender	239-40587-00	239-40587-00	239-40587-00
9	J-Box w/ Terminal Block	265-47380-00	265-47380-00	265-47380-00
10	Upper Thermostat with High Limit (59T66T) & Protector ▲▲ ∩	415-51046-00	415-51046-00	415-51046-00
	Upper and Lower Thermostat (59T66T) & Protector ▲ Φ ∩∩	415-54615-00	415-54615-00	415-54615-00
11	Lower Thermostat (59T66T) & Protector ▲▲ ∩	415-50691-00	415-50691-00	415-50691-00
	Lower Thermostat (59T66T) & Protector ▲ Φ ∩∩	415-54452-00	415-54452-00	415-54452-00
12	Heating Element 240V 4500W with Gasket*	415-48642-00	415-48642-00	415-48642-00
13	Thermostat Mounting Bracket	415-50689-00	415-50689-00	415-50689-00
14	Brass Drain Valve	415-42351-02	415-42351-02	415-42351-02
15	Access Cover	243-36618-02	243-36618-02	243-36618-02
16	Heat Trap Insert Kit (PEX)	265-51572-00	265-51572-00	265-51572-00
17	ASSE Approved Mixing Valve	239-51778-00	239-51778-00	239-51778-00

- ♦ Order with item 2.
- ♦♦ Order with item 4.
- ▲ Thermostat protector provided in kit with thermostat.
- ▲▲ Thermostat protector and mounting bracket (Item #13) provided in kit with thermostat.
- Φ Mounting bracket (Item #13) not provided in kit with thermostat.
- * For other voltage and wattage combinations, refer to voltage & wattage conversion kits on page 12.
- # Anode may need to be cut to length, please see page 13 for reference chart of anode length by model.
- ∩ Design certified for products with serial numbers PRIOR to TD43243484.
- ∩∩ Design certified for products with serial numbers AFTER and including TD43243484.

TOP LOCATION

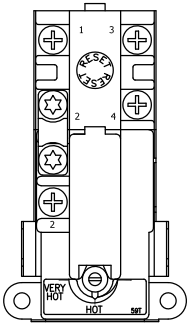
- Double element water heater.



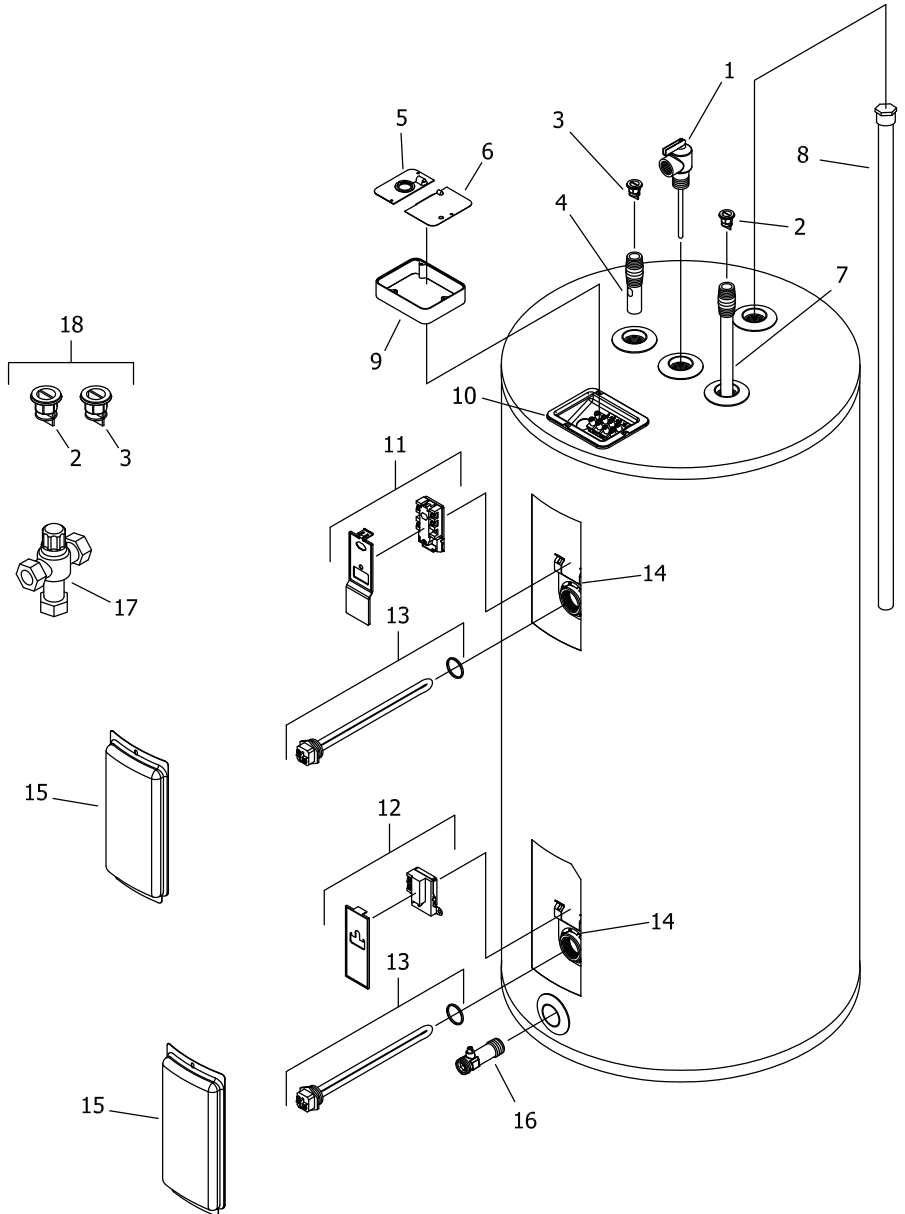
59T66T

BOTTOM LOCATION

- Single element water heater.
- Double element water heater.



59T66T



Item	Description	Model
		LE255T
1	T&P Relief Valve	415-40594-04
2	Heat Trap Insert (Inlet)	415-51556-00
3	Heat Trap Insert (Outlet)	415-45167-00
4	Hot Water Outlet Device♦	229-50053-06
5	Cover Conduit/Ground	239-39451-00
6	Cover Junction Box	243-39452-00
7	Cold Water Inlet Tube PEX ♦♦	229-51718-05
8	Hex Head Anode Magnesium #	415-55483-00
	Aluminum #	415-55485-00
	A420 (Aluminum)#	415-55487-00
9	Junction Box Extender	239-40587-00
10	J-Box w/ Terminal Block	265-47380-00
11	Upper and Lower Thermostat (59T66T) & Protector ▲	415-54615-00
12	Lower Thermostat (59T66T) & Protector ▲	415-54452-00
13	Heating Element 240V 4500W with Gasket*	415-48642-00
14	Thermostat Mounting Bracket	415-50689-00
15	Access Cover	243-36618-02
16	Brass Drain Valve	415-42351-04
17	ASSE Approved Mixing Valve	239-51778-00
18	Heat Trap Insert Kit (PEX)	265-51572-00

♦ Order with item 3.

♦♦ Order with item 2.

▲ Thermostat protector provided in kit with thermostat.

* For other voltage and wattage combinations, refer to voltage & wattage conversion kits on page 12.

Anode may need to be cut to length, please see page 13 for reference chart of anode length by model.

Voltage & Wattage Conversion Kits

Element Wattage	Non-Simultaneous	Simultaneous Max Wattage	Voltage			
			120	208	240	277
1000	1000	2000	N/A	415-54506-13	N/A	N/A
1500	1500	3000	415-54506-01	415-54506-05	415-54506-13	415-54506-16
2000	2000	4000	415-54506-02*	415-54506-06	415-54506-05	415-54506-17
2500	2500	5000	415-54506-03*	415-54506-07	415-54506-06	415-54506-18
3000	3000	6000	415-54506-04*	415-54506-08	415-54506-14	415-54506-19
3500	3500	7000	N/A	415-54506-09	415-54506-07	N/A
4000	4000	8000	N/A	415-54506-49	415-54506-08	415-54506-20
			N/A	N/A	N/A	N/A
4500	4500	9000	N/A	415-54506-11	415-54506-09	415-54506-51
			N/A	415-54506-48*	N/A	N/A
5000	5000	10000	N/A	415-54506-50	415-54506-15	415-54506-52
5500	5500	11000	N/A	415-54506-65*	415-54506-49	415-54506-61
			N/A	415-54506-67	N/A	N/A
6000	6000	12000	N/A	415-54506-66*	415-54506-68	415-54506-53
			N/A	N/A	415-54506-48*	N/A
6100	6100	12200	N/A	N/A	415-54506-69	415-54506-70

Element Wattage	Non-Simultaneous	Simultaneous Max Wattage	Voltage		
			380	415	480
1000	1000	2000	N/A	N/A	N/A
1500	1500	3000	415-46409-24	415-46409-41	415-54506-32
2000	2000	4000	415-46409-43	415-46409-24	415-54506-33
2500	2500	5000	415-46409-25	415-46409-43	415-54506-34
3000	3000	6000	415-46409-26	415-46409-25	415-54506-35
3500	3500	7000	415-46409-54	415-46409-26	N/A
			415-46409-56	415-46409-54	415-54506-36
4000	4000	8000	N/A	N/A	N/A
			415-46409-57	415-46409-55	415-54506-59
4500	4500	9000	N/A	N/A	N/A
			415-46409-58	415-46409-56	415-54506-38
5000	5000	10000	415-46409-63	415-46409-57	415-54506-62
			N/A	N/A	N/A
5500	5500	11000	415-46409-64	415-46409-58	415-54506-60
			N/A	N/A	N/A
6100	6100	12200	N/A	N/A	415-54506-71

* These kits contain only one element for single element water heaters only.



United States

Sales 1-800-523-2931
Technical Support 1-800-334-3393
Email techsupport@bradfordwhite.com
Warranty 1-800-531-2111
Email warranty@bradfordwhite.com
Service Parts 1-800-538-2020
Email parts@bradfordwhite.com

Canada

Sales 1-866-690-0961 1-905-203-0600
Fax 905-636-0666
Warranty 1-800-531-2111
Email warranty@bradfordwhite.com
Technical Support 1-800-334-3393
Email techsupport@bradfordwhite.com
Service Parts and Orders ca.orders@bradfordwhite.com

For U.S. and Canada field service, contact your professional installer or local Bradford White sales representative.

International

General Contact international@bradfordwhite.com