



ICON E™ RESIDENTIAL ELECTRIC REPLACEMENT PARTS LIST

Upright and Lowboy Models



Models Covered:

ERE(240, 250)S

ERE(340, 350)S

ERE(250, 255)T

ERE340T

ERE240L

ERE(240, 250)LN

ERE340R

Effective: February, 2026

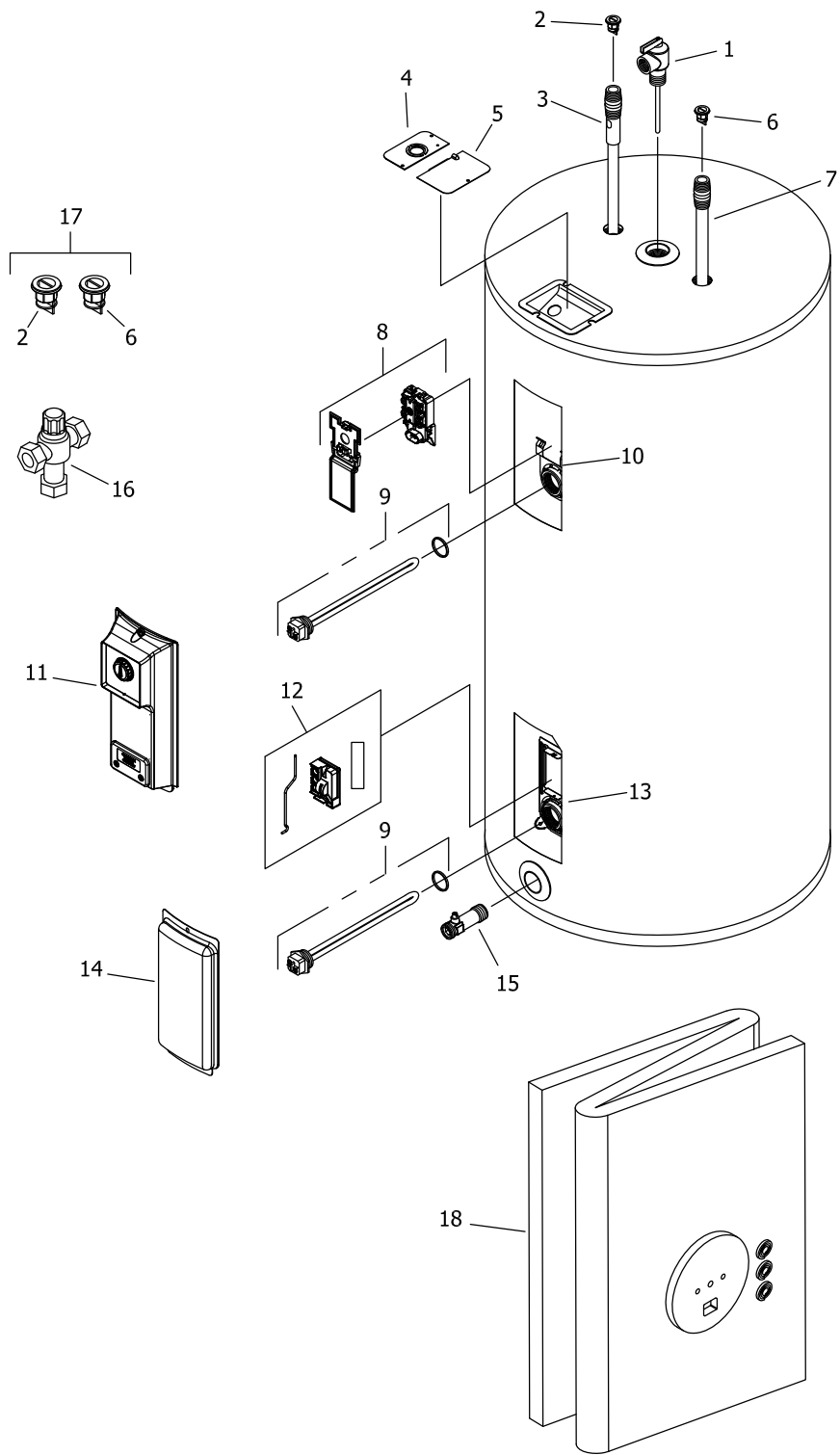
ECO 8914

**NOTE: BOTH MODEL AND SERIAL
NUMBERS ARE REQUIRED FOR
ORDERING REPLACEMENT PARTS**

Dimensions and specifications
subject to change without notice.



As required by the state of California Proposition 65.



| Item | Description | Model | Model |
|------|-----------------------------------------------------|------------------------------|------------------------------|
| | | ERE240S%-CTA | ERE250S%-CTA |
| 1 | T&P Relief Valve | 415-40594-02 | 415-40594-02 |
| 2 | Heat Trap Insert (Outlet) | 239-45167-00 | 239-45167-00 |
| 3 | Hot Water Outlet Segmented Anode (Magnesium) ♦# | 415-55482-00 | 415-55482-00 |
| | Hot Water Outlet Segmented Anode (Aluminum) ♦# | 415-55484-00 | 415-55484-00 |
| | Hot Water Outlet Segmented Anode (A420 Aluminum) ♦# | 415-55486-00 | 415-55486-00 |
| 4 | Cover Conduit/Ground w/ Ground Screw | 239-55386-00 | 239-55386-00 |
| 5 | Cover Junction Box | 221-39452-00 | 221-39452-00 |
| 6 | Heat Trap Insert (Inlet) | 415-51556-00 | 415-51556-00 |
| 7 | Cold Water Inlet Tube PEX ♦♦ | 229-51230-21 | 229-51230-21 |
| 8 | High Limit w/ Protector | 415-55587-00 | 415-55587-00 |
| 9 | Heating Element 240V 4500W w/ Gasket μ | 415-48642-00 | 415-48642-00 |
| 10 | Thermostat Mounting Bracket | 415-50689-00 | 415-50689-00 |
| 11 | Control Module | 415-54579-01 | 415-54579-01 |
| 12 | Power Switch Module (PSM) Kit | 415-54581-00 | 415-54581-00 |
| 13 | PSM Mounting Bracket | 415-54077-00 | 415-54077-00 |
| 14 | Access Cover | 221-36618-02 | 221-36618-02 |
| 15 | Drain Valve | 415-51684-01 | 415-51684-01 |
| 16 | ASSE Approved Mixing Valve | 239-51778-00 | 239-51778-00 |
| 17 | Kit-Heat Trap Insert (PEX) | 265-51572-00 | 265-51572-00 |
| 18 | Blanket Kit | 239-56192-00 | 239-56193-00 |

♦ Order with item 2.

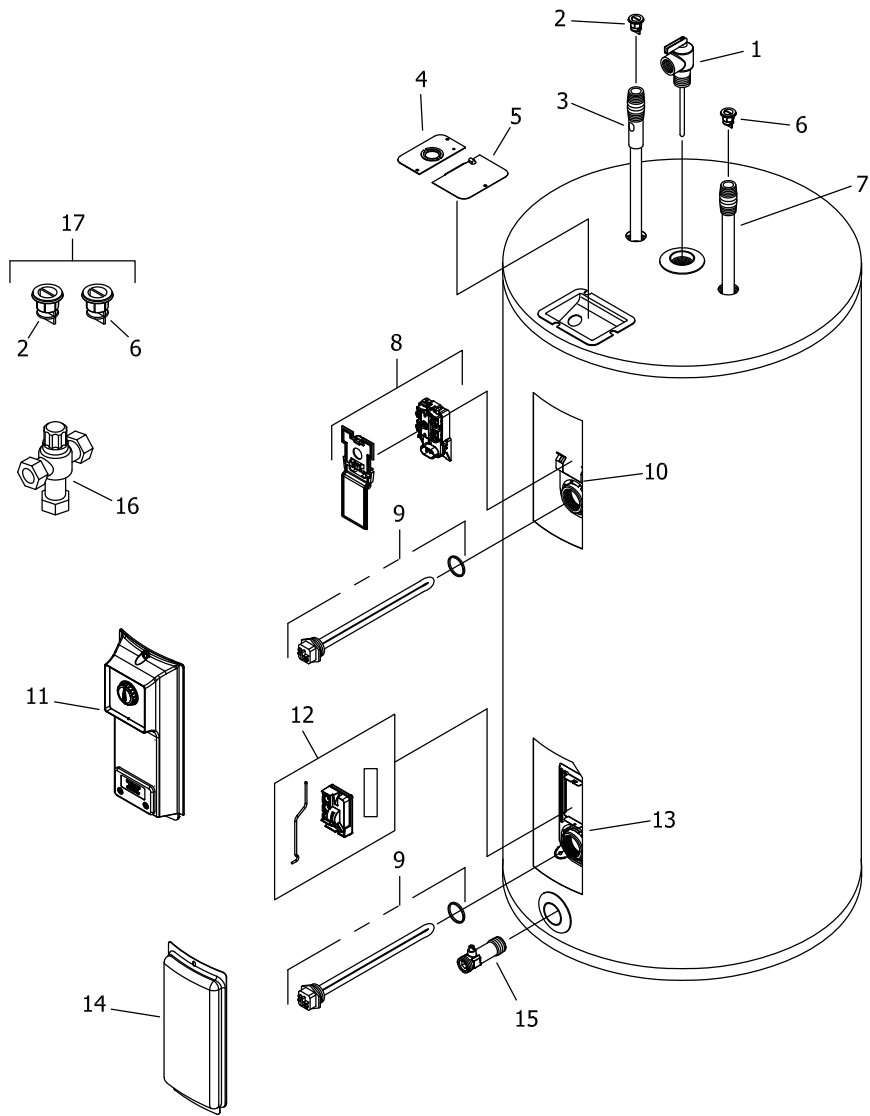
♦♦ Order with item 6.

▲ Thermostat protector provided with thermostat. The thermostat mounting bracket is also provided with the thermostat.

μ For other voltage and wattage combinations, refer to heating elements on page 16 & 17.

■ Upper and lower thermostats are packaged together.

Segmented anode may need to be cut to length.



| Item | Description | Model | Model | Model |
|------|-----------------------------------------------------|------------------------------|------------------------------|------------------------------|
| | | ERE340S%-CTA | ERE350S%-CTA | ERE340R%-CTA |
| 1 | T&P Relief Valve | 415-40594-02 | 415-40594-02 | 415-40594-02 |
| 2 | Heat Trap Insert (Outlet) | 415-45167-00 | 415-45167-00 | 415-45167-00 |
| 3 | Hot Water Outlet Segmented Anode (Magnesium) ♦# | 415-55482-00 | 415-55482-00 | 415-55482-00 |
| | Hot Water Outlet Segmented Anode (Aluminum) ♦# | 415-55484-00 | 415-55484-00 | 415-55484-00 |
| | Hot Water Outlet Segmented Anode (A420 Aluminum) ♦# | 415-55486-00 | 415-55486-00 | 415-55486-00 |
| 4 | Cover Conduit/Ground w/ Ground Screw | 239-55386-00 | 239-55386-00 | 239-55386-00 |
| 5 | Cover Junction Box | 221-39452-00 | 221-39452-00 | 221-39452-00 |
| 6 | Heat Trap Insert (Inlet) | 415-51556-00 | 415-51556-00 | 415-51556-00 |
| 7 | Cold Water Inlet Tube PEX ♦♦ | 229-51230-21 | 229-51230-34 | 415-55712-00 |
| 8 | High Limit w/ Protector | 415-55587-00 | 415-55587-00 | 415-55587-00 |
| 9 | Heating Element 240V 4500W w/ Gasket μ | 415-48642-00 | 415-48642-00 | 415-48642-00 |
| 10 | Thermostat Mounting Bracket | 415-50689-00 | 415-50689-00 | 415-50689-00 |
| 11 | Control Module | 415-54579-01 | 415-54579-01 | 415-54579-01 |
| 12 | Power Switch Module (PSM) Kit | 415-54581-00 | 415-54581-00 | 415-54581-00 |
| 13 | PSM Mounting Bracket | 415-54077-00 | 415-54077-00 | 415-54077-00 |
| 14 | Access Cover | 221-36618-02 | 221-36618-02 | 221-36618-02 |
| 15 | Drain Valve | 415-51684-02 | 415-51684-02 | 415-51684-02 |
| 16 | ASSE Approved Mixing Valve | 239-51778-00 | 239-51778-00 | 239-51778-00 |
| 17 | Kit-Heat Trap Insert (PEX) | 265-51572-00 | 265-51572-00 | 265-51572-00 |

♦ Order with item 2.

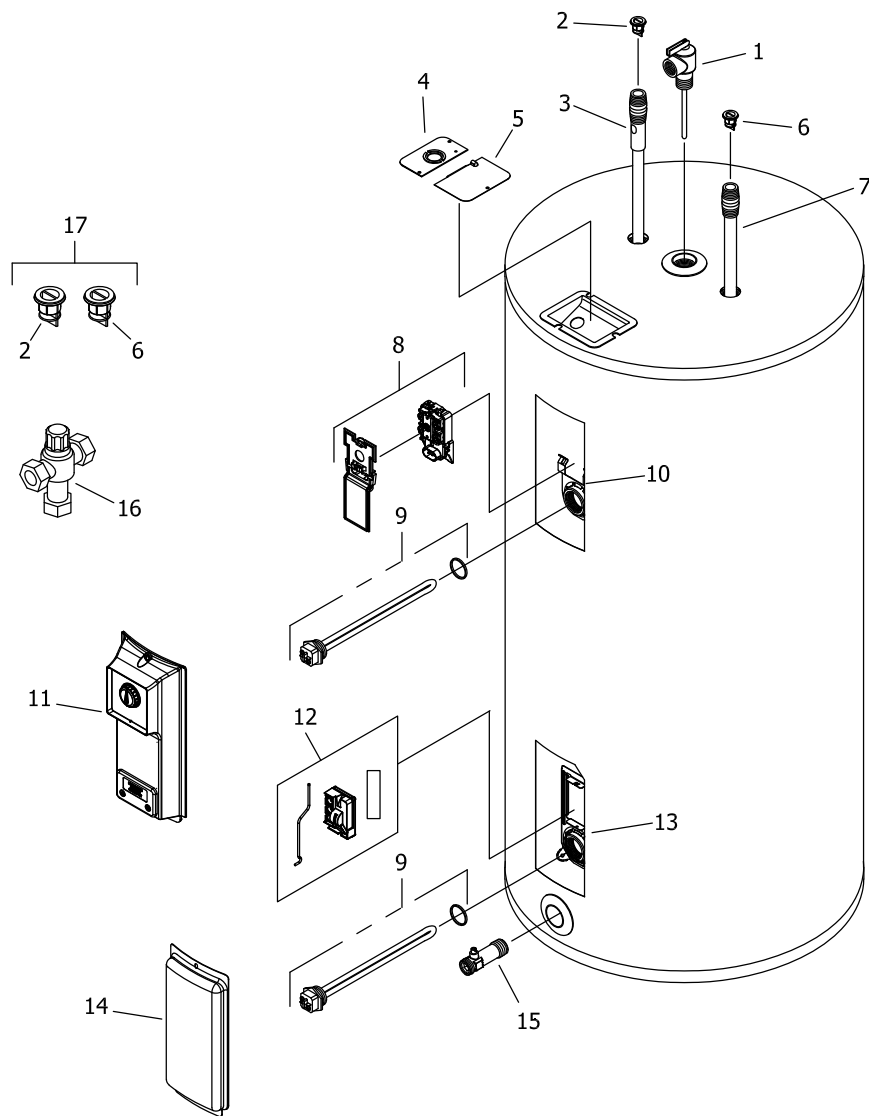
♦♦ Order with item 6.

▲ Thermostat protector provided with thermostat. The thermostat mounting bracket is also provided with the thermostat.

μ For other voltage and wattage combinations, refer to heating elements on page 16 & 17.

■ Upper and lower thermostats are packaged together.

Segmented anode may need to be cut to length.



| Item | Description | Model |
|------|-----------------------------------------------------|------------------------------|
| 1 | T&P Relief Valve | ERE340T%-CTA 415-40594-02 |
| 2 | Heat Trap Insert (Outlet) | 415-45167-00 |
| 3 | Hot Water Outlet Segmented Anode (Magnesium) ♦# | 415-55482-00 |
| | Hot Water Outlet Segmented Anode (Aluminum) ♦# | 415-55484-00 |
| | Hot Water Outlet Segmented Anode (A420 Aluminum) ♦# | 415-55486-00 |
| 4 | Cover Conduit/Ground w/ Ground Screw | 239-55386-00 |
| 5 | Cover Junction Box | 221-39452-00 |
| 6 | Heat Trap Insert (Inlet) | 415-51556-00 |
| 7 | Cold Water Inlet Tube PEX ♦♦ | 229-51230-35 |
| 8 | High Limit w/ Protector | 415-55587-00 |
| 9 | Heating Element 240V 4500W w/ Gasket μ (qty 2) | 415-48642-00 |
| 10 | Thermostat Mounting Bracket | 415-50689-00 |
| 11 | Control Module | 415-54579-01 |
| 12 | Power Switch Module (PSM) Kit | 415-54581-00 |
| 13 | PSM Mounting Bracket | 415-54077-00 |
| 14 | Access Cover | 221-36618-02 |
| 15 | Brass Drain Valve | 415-51684-02 |
| 16 | ASSE Approved Mixing Valve | 239-51778-00 |
| 17 | Kit-Heat Trap Insert (PEX) | 265-51572-00 |

♦ Order with item 2.

♦♦ Order with item 6.

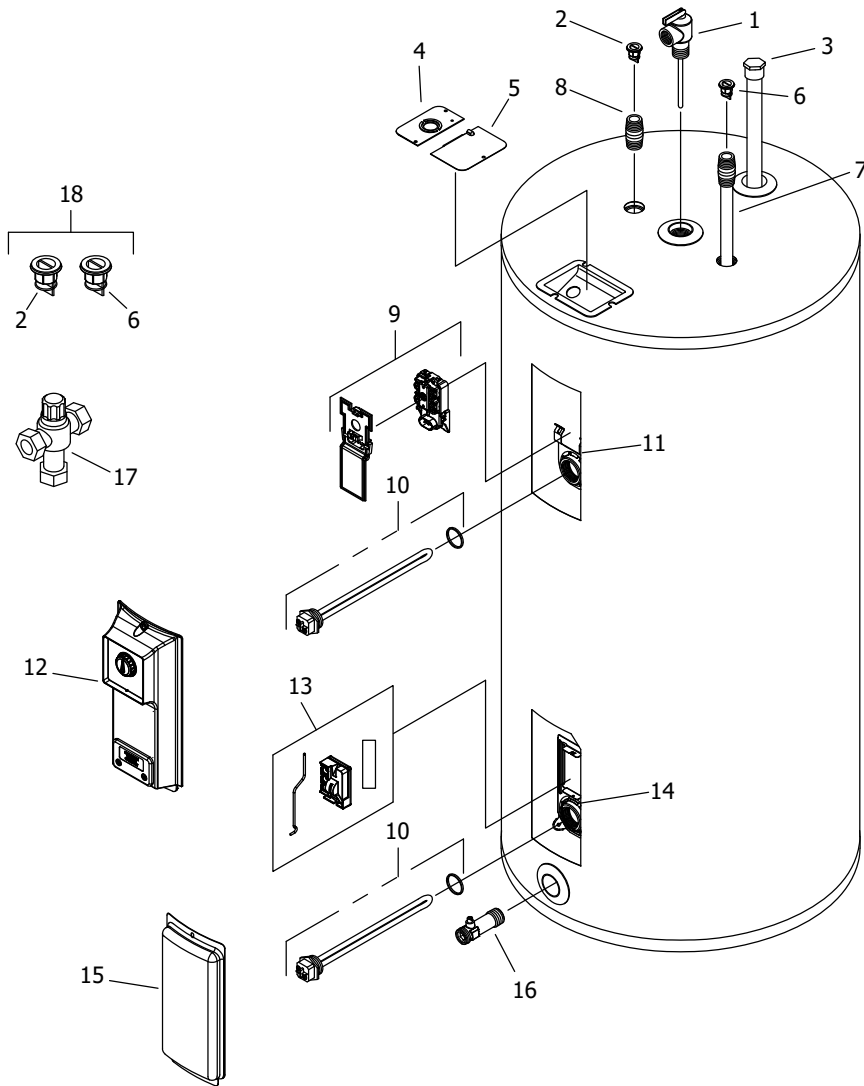
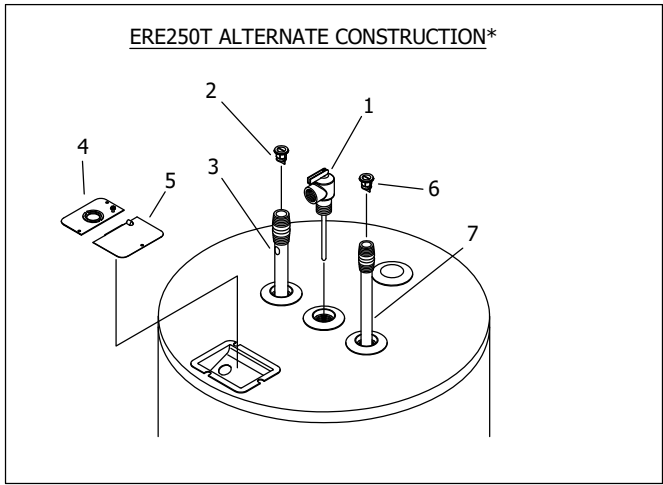
▲ Thermostat protector provided with thermostat. The thermostat mounting bracket is also provided with the thermostat.

μ For other voltage and wattage combinations, refer to heating elements on page 16 & 17.

■ Upper and lower thermostats are packaged together.

Segmented anode may need to be cut to length.

ERE250T ALTERNATE CONSTRUCTION*



| Item | Description | Model | Model |
|------|----------------------------------------------------|--------------|-------------------------|
| | | ERE250T%-CTA | ERE250T%-CTA Alternate* |
| 1 | T&P Relief Valve | 415-40594-02 | 415-40594-02 |
| 2 | Heat Trap Insert (Outlet) | 415-45167-00 | 415-45167-00 |
| 3 | Hex head Sacrificial Segmented Anode (Aluminum) ♦# | 415-55485-00 | 415-55484-00 |
| 4 | Cover Conduit/Ground w/ Ground Screw | 239-55386-00 | 239-55386-00 |
| 5 | Cover Junction Box | 221-39452-00 | 221-39452-00 |
| 6 | Heat Trap Insert (Inlet) | 415-51556-00 | 415-51556-00 |
| 7 | Cold Water Inlet Tube PEX ♦♦ | 229-51718-05 | 229-51718-05 |
| 8 | Nipple outlet | 229-50053-06 | 229-50053-06 |
| 9 | High Limit w/ Protector | 415-55587-00 | 415-55587-00 |
| 10 | Heating Element 240V 4500W w/ Gasket μ (qty 2) | 415-48642-00 | 415-48642-00 |
| 11 | Thermostat Mounting Bracket | 415-50689-00 | 415-50689-00 |
| 12 | Control Module | 415-54579-01 | 415-54579-01 |
| 13 | Power Switch Module (PSM) Kit | 415-54581-00 | 415-54581-00 |
| 14 | PSM Mounting Bracket | 415-54077-00 | 415-54077-00 |
| 15 | Access Cover | 221-36618-02 | 221-36618-02 |
| 16 | Brass Drain Valve | 415-51684-01 | 415-51684-01 |
| 17 | ASSE Approved Mixing Valve | 239-51778-00 | 239-51778-00 |
| 18 | Kit-Heat Trap Insert (PEX) | 265-51572-00 | 265-51572-00 |

♦ Order with item 2.

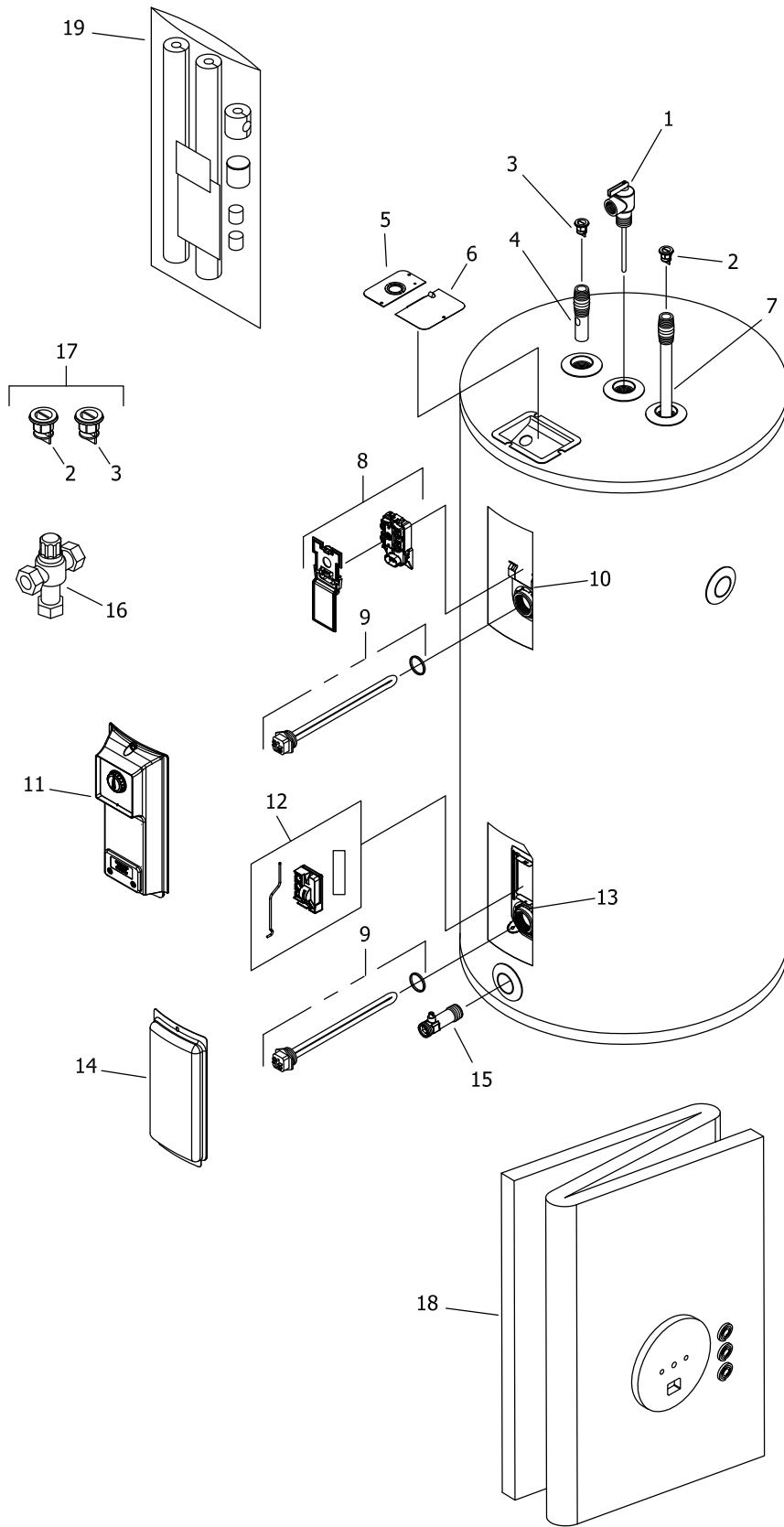
♦♦ Order with item 6.

▲ Thermostat protector provided with thermostat. The thermostat mounting bracket is also provided with the thermostat.

μ For other voltage and wattage combinations, refer to heating elements on page 16 & 17.

■ Upper and lower thermostats are packaged together.

Segmented anode may need to be cut to length.



| Item | Description | Model |
|------|-----------------------------------------------------|------------------------------|
| | | ERE240L%-CTA |
| 1 | T&P Relief Valve | 415-40594-02 |
| 2 | Heat Trap Insert (Inlet) | 415-51556-00 |
| 3 | Heat Trap Insert (Outlet) | 415-45167-00 |
| 4 | Hot Water Outlet Segmented Anode (Magnesium) ♦# | 415-55482-00 |
| | Hot Water Outlet Segmented Anode (Aluminum) ♦# | 415-55484-00 |
| | Hot Water Outlet Segmented Anode (A420 Aluminum) ♦# | 415-55486-00 |
| 5 | Cover Conduit/Ground w/ Ground Screw | 239-55386-00 |
| 6 | Cover Junction Box | 221-39452-00 |
| 7 | Cold Water Inlet Tube Pex ♦♦ | 229-51230-27 |
| 8 | High Limit w/ Protector | 415-55587-00 |
| 9 | Heating Element 240V 4500W w/ Gasket (qty 2) | 415-48642-00 |
| 10 | Thermostat Mounting Bracket | 415-50689-00 |
| 11 | Control Module | 415-54579-01 |
| 12 | Power Switch Module (PSM) Kit | 415-54581-00 |
| 13 | PSM Mounting Bracket | 415-54077-00 |
| 14 | Access Cover | 221-36618-02 |
| 15 | Drain Valve | 415-51684-01 |
| 16 | ASSE Approved Mixing Valve | 239-51778-00 |
| 17 | Kit-Heat Trap Insert (PEX) | 265-51572-00 |
| 18 | Blanket Kit | 239-54891-00 |
| 19 | Insulation Kit | 239-48949-00 |

♦ Order with item 2.

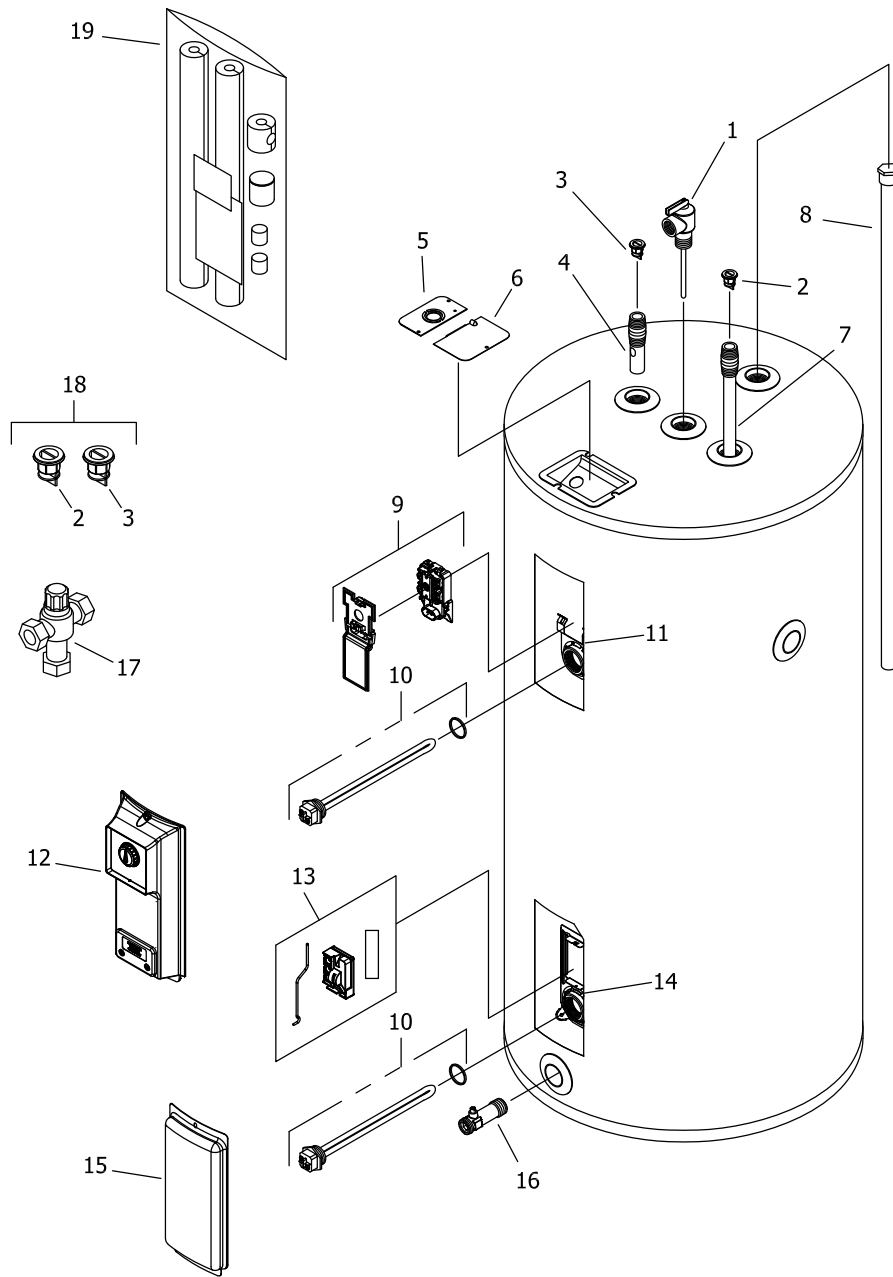
♦♦ Order with item 6.

▲ Thermostat protector provided with thermostat. The thermostat mounting bracket is also provided with the thermostat.

μ For other voltage and wattage combinations, refer to heating elements on page 16 & 17.

■ Upper and lower thermostats are packaged together.

Segmented anode may need to be cut to length.



| Item | Description | Model | Model | Model |
|------|--------------------------------------------------------|---------------|-----------------|--------------|
| | | ERE240LN%-CTA | ERE250L(N)%-CTA | ERE255T%-CTA |
| 1 | T&P Relief Valve | 415-40594-02 | 415-40594-02 | 415-40594-04 |
| 2 | Heat Trap Insert (Inlet) | 415-51556-00 | 415-51556-00 | 415-51556-00 |
| 3 | Heat Trap Insert (Outlet) | 415-51556-00 | 415-51556-00 | 415-45167-00 |
| 4 | Hot Water Outlet Device ♦ | 229-51858-00 | 229-51858-00 | 415-50053-06 |
| 5 | Cover Conduit/Ground w/ Ground Screw | 239-55386-00 | 239-55386-00 | 239-55386-00 |
| 6 | Cover Junction Box | 221-39452-00 | 221-39452-00 | 221-39452-00 |
| 7 | Cold Water Inlet Tube PEX ♦ | 229-52007-01 | 229-51718-02 | 229-51718-05 |
| 8 | Hex head Sacrificial Segmented Anode (Magnesium) # | 415-55483-00 | 415-55483-00 | 415-55483-00 |
| | Hex head Sacrificial Segmented Anode (Aluminum) # | 415-55485-00 | 415-55485-00 | 415-55485-00 |
| | Hex head Sacrificial Segmented Anode (A420 Aluminum) # | 415-55487-00 | 415-55487-00 | 415-55487-00 |
| 9 | High Limit w/ Protector | 415-55587-00 | 415-55587-00 | 415-55587-00 |
| 10 | Heating Element 240V 4500W w/ Gasket μ (qty 2) | 415-48642-00 | 415-48642-00 | 415-48642-00 |
| 11 | Thermostat Mounting Bracket | 415-50689-00 | 415-50689-00 | 415-50689-00 |
| 12 | Control Module | 415-54579-01 | 415-54579-01 | 415-54579-01 |
| 13 | Power Switch Module (PSM) Kit | 415-54581-00 | 415-54581-00 | 415-54581-00 |
| 14 | PSM Mounting bracket | 415-54077-00 | 415-54077-00 | 415-54077-00 |
| 15 | Access Cover | 221-36618-02 | 221-36618-02 | 221-36618-02 |
| 16 | Brass Drain Valve | 415-51684-02 | 415-51684-01 | 415-51684-02 |
| 17 | ASSE Approved Mixing Valve | 239-51778-00 | 239-51778-00 | 239-51778-00 |
| 18 | Kit-Heat Trap Insert (PEX) | 265-51875-00 | 265-51875-00 | 265-51572-00 |
| 19 | Insulation Kit | 239-48949-00 | 239-48949-00 | --- |

♦ Order with item 2.

▲ Thermostat protector provided with thermostat. The thermostat mounting bracket is also provided with the thermostat.

μ For other voltage and wattage combinations, refer to heating elements on page 16 & 17.

■ Upper and lower thermostats are packaged together.

Segmented anode may need to be cut to length.

**Heating Elements (Copper) for:
iCONE Residential Series (ERE)**

| Wattage | 120 Volt | 208 Volt | 240 Volt |
|------------------|--------------|--------------|--------------|
| 1000W ▲ | 415-42540-01 | 415-42544-01 | 415-42546-01 |
| 1250W ▲ | N/A | N/A | 415-42544-13 |
| 1500W ▲ | 415-42540-02 | 415-42544-03 | 415-42544-01 |
| 1500W (LWD)▲ | 415-42540-03 | N/A | 415-42544-02 |
| 2000W ▲ | 415-42540-04 | 415-42544-04 | 415-42544-03 |
| 2500W ▲ | 415-42540-05 | 415-42544-06 | 415-42544-04 |
| 3000W ▲ | 415-42540-07 | 415-42544-14 | 415-42544-05 |
| 3500W ▲▲ | N/A | 415-42544-08 | 415-42544-06 |
| 3800W ▲▲ | N/A | N/A | 415-42546-10 |
| 4000W ▲▲ | N/A | 415-42544-16 | 415-42544-14 |
| 4500W ▲▲ | N/A | 415-42544-12 | 415-42544-08 |
| 4500W (LWD) ▲▲ | N/A | N/A | N/A |
| 5000W ▲▲ | N/A | N/A | 415-42544-10 |
| 5500W ▲▲ | N/A | N/A | 415-42544-16 |
| 6000W ▲▲ | N/A | N/A | 415-42544-12 |
| Element gasket ^ | 223-34019-00 | 223-34019-00 | 223-34019-00 |
| Element plug | 223-34020-00 | 223-34020-00 | 223-34020-00 |

(LWD) = Low Watt Density

▲ For 12" Diameter tanks and above.

▲▲ For 14" Diameter tanks and above.

* For 16" Diameter tanks and above.

** For 18" Diameter tanks and above.

^ Element gaskets included with elements.

**Heating Elements (Incoloy) for:
iCONE Residential Series (ERE)**

| Wattage | 120 Volt | 208 Volt | 240 Volt |
|------------------|------------------------------|------------------------------|------------------------------|
| 1000W ▲ | N/A | N/A | 415-42547-10 |
| 1250W ▲ | N/A | N/A | N/A |
| 1500W ▲ | 415-42541-02 | 415-42545-02 | 415-42545-13 |
| 1500W (LWD)▲ | N/A | N/A | N/A |
| 2000W ▲ | N/A | 415-42545-14 | 415-42545-02 |
| 2500W ▲ | N/A | 415-42545-11 | 415-42545-14 |
| 3000W ▲ | N/A | 415-42545-12 | 415-42545-15 |
| 3500W ▲▲ | N/A | 415-41985-10 | 415-42545-11 |
| 3800W ▲▲ | N/A | N/A | 415-42547-15 |
| 4000W ▲▲ | N/A | 415-42545-17 | 415-42545-12 |
| 4500W ▲▲ | N/A | 415-42545-19 | 415-51328-07 |
| 4500W (LWD) ▲▲ | N/A | N/A | N/A |
| 5000W ▲▲ | N/A | 415-42543-04 | 415-42545-18 |
| 5500W ▲▲ | N/A | 415-42543-05 | 415-42545-17 |
| 6000W ▲▲ | N/A | 415-42543-06 | 415-42545-19 |
| Element gasket ^ | 223-34019-00 | 223-34019-00 | 223-34019-00 |
| Element plug | 223-34020-00 | 223-34020-00 | 223-34020-00 |

(LWD) = Low Watt Density

Element wrench ***

[415-35897-12](#)

Adapt-a-flange kit ***

265-36968-12

*** For use with residential, LD, E32, and MII series heating elements only. Not for use with commercial "A" series heating elements.

▲ For 12" Diameter tanks and above.

▲▲ For 14" Diameter tanks and above.

* For 16" Diameter tanks and above.

** For 18" Diameter tanks and above.

^ Element gaskets included with elements.



United States

Sales 1-800-523-2931
Technical Support 1-888-443-4394
Email techsupport@bradfordwhite.com
Warranty 1-800-531-2111
Email warranty@bradfordwhite.com
Service Parts 1-800-538-2020
Email parts@bradfordwhite.com

Canada

Sales 1-866-690-0961 1-905-203-0600
Fax 905-636-0666
Warranty 1-800-531-2111
Email warranty@bradfordwhite.com
Technical Support 1-888-443-4394
Email techsupport@bradfordwhite.com
Service Parts and Orders ca.orders@bradfordwhite.com

For U.S. and Canada field service, contact your professional installer or local Bradford White sales representative.

International

General Contact international@bradfordwhite.com