



The Choice of Experience

CATALOG OF
REPLACEMENT PARTS

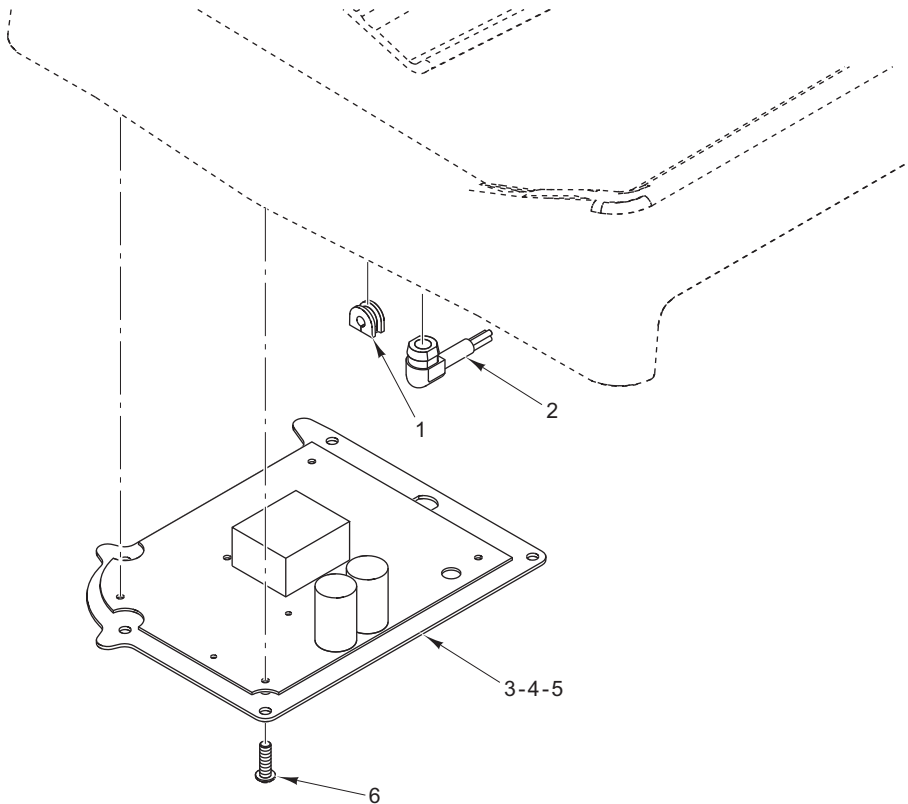


MODEL
X13 SLICER

EFFECTIVE MAY 2009

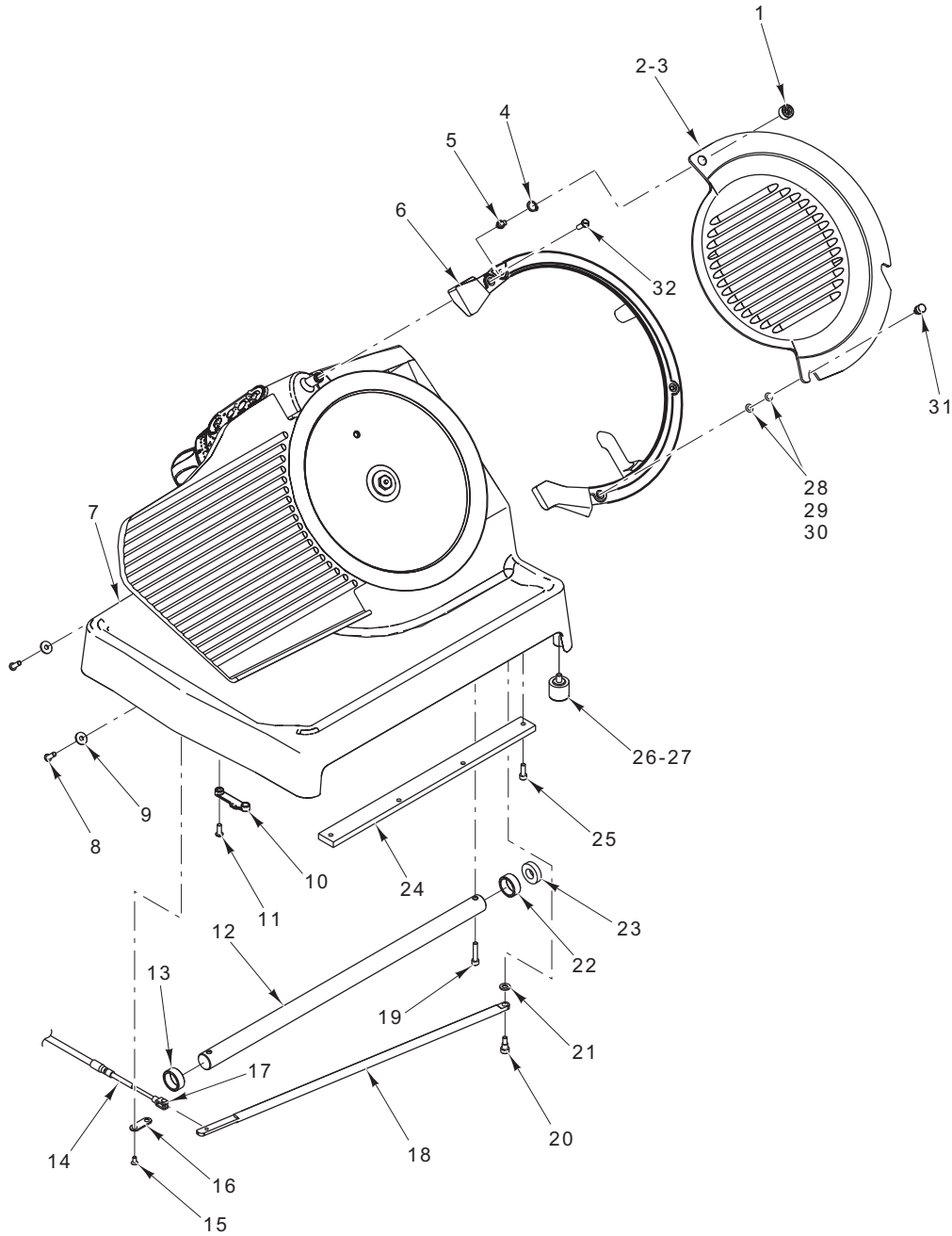
Table of Contents

3	ELECTRICAL COMPONENTS
5	RING GUARD AND CENTER PLATE
7	ARM ASSEMBLY
9	GAUGE PLATE ASSEMBLY
10	PRODUCT TABLE
11	KNIFE AND MOTOR ASSEMBLY
13	AUTODRIVE ASSEMBLY
15	KNIFE SHARPENER UNIT
16	KICKSTAND ASSEMBLY



ELECTRICAL COMPONENTS

ILLUS.	PART NO.	NAME OF PART	AMT.
PL-58977			
1	01-403875-00234	Grommet – Electric Enclosure	1
2	01-404175-00719	Cord – Power (120 V.)	1
3	01-404875-00046	PCB Assy. – Main Board (Automatic) (120 V.) (Incls. Items 2 & 5).....	1
4	01-404875-00047	PCB Assy. (Manual) (Incls. Items 2 & 5).....	1
5	01-402675-00752	Circuit Breaker (12 Amp., 120 V.)	1
6	01-402175-02854	Cap Screw M5 x 10mm Button Socket Hd.	3
	01-404175-00730	Harness – Timer	1

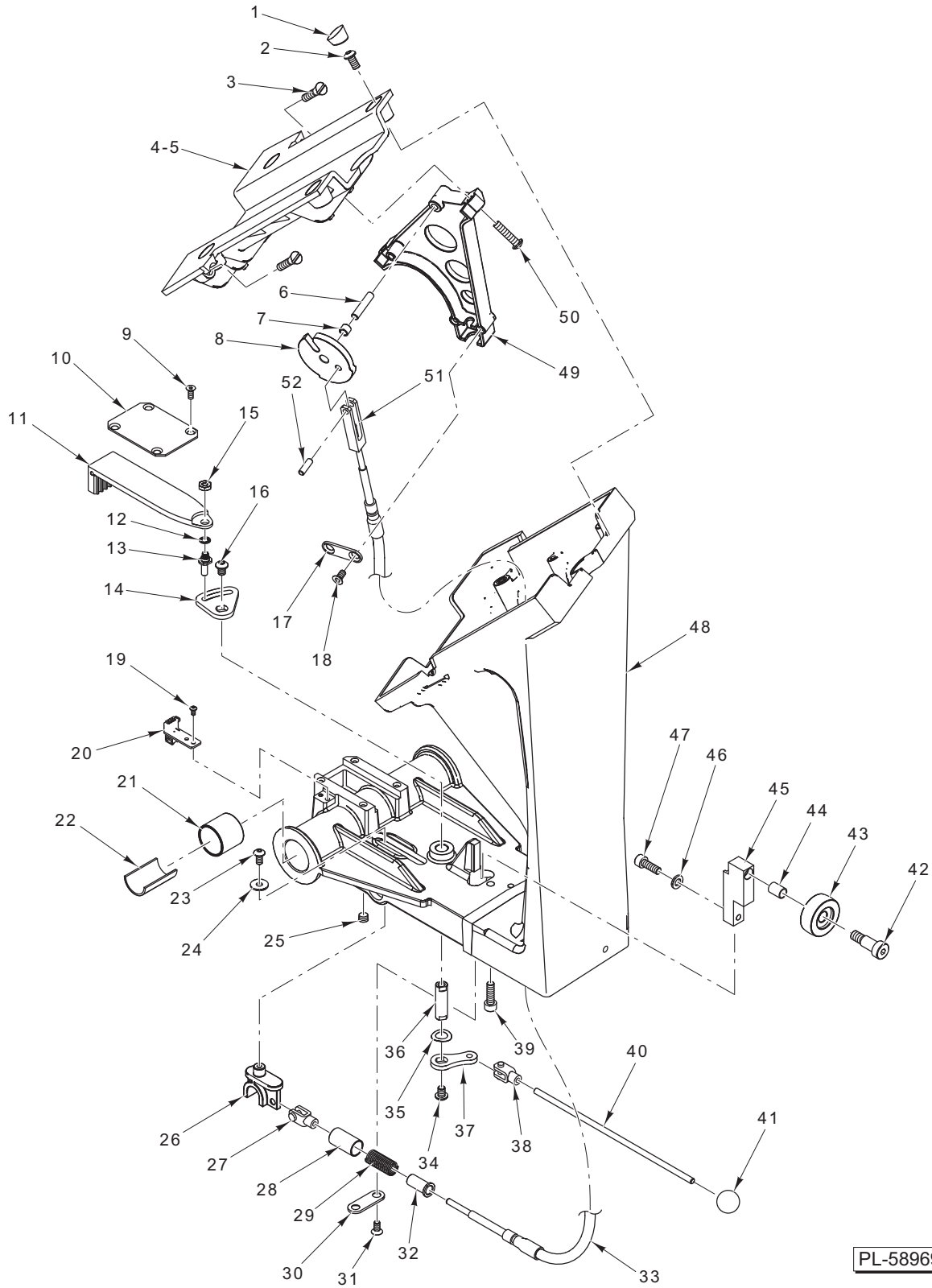


PL-58968

RING GUARD AND CENTER PLATE

RING GUARD AND CENTER PLATE

ILLUS.	PART NO.	NAME OF PART	AMT.
	PL-58968		
1	01-403375-01392	Knob	1
2	01-404675-01144	Center Plate Assy. (Incls. Items 1, 3, & 4).....	1
3	01-403775-00499	Center Plate – Solid.....	1
4	01-402275-00608	Ring – Retaining	1
5	01-403375-01391	Stud – Post	1
6	01-403775-00497	Ring Guard	1
7	01-403875-00171	Base.....	1
8	01-402175-02867	Screw M6 x 18mm Button Socket Hd. (For Ring Guard).....	2
9	01-402275-00586	Washer.....	2
10	01-403875-00183	Guide – Interlock Slide Bar	1
11	01-402175-02866	Cap Screw M6 x 16mm Button Socket Hd. (SST).....	2
12	01-403375-01306	Rail – Round	1
13	01-403275-00233	Bumper – Transport Rail.....	1
14	01-402375-00175	Cable – Interlock Base Assy.	1
15	01-402175-02934	Cap Screw Flat Socket Hd.....	2
16	01-403375-01286	Clamp – Interlock Assy.....	1
17	01-402375-00184	Clevis – Stock	1
18	01-403375-01275	Slide – Bar Interlock.....	1
19	01-402175-02861	Screw M6 x 6mm Button Socket Hd.	2
20	01-402175-00503	Shoulder Bolt	1
21	01-402275-00588	Washer.....	1
22	01-403275-00243	Bumper – Rubber	1
23	01-402275-00629	Washer – Bumper	1
24	01-403375-01278	Rail – Square	1
25	01-402175-02743	Cap Screw M6 x 14mm	4
26	01-403875-00239	Foot.....	4
27	01-403875-00249	Foot (Suction)	4
28	01-403275-00237	Shim (1.0mm)	AR
29	01-403275-00238	Shim (0.5mm)	AR
30	01-403275-00241	Shim (0.3mm)	AR
31	01-403375-01388	Shoulder Stud.....	2
32	01-402175-00529	Screw Flat Hd.	1

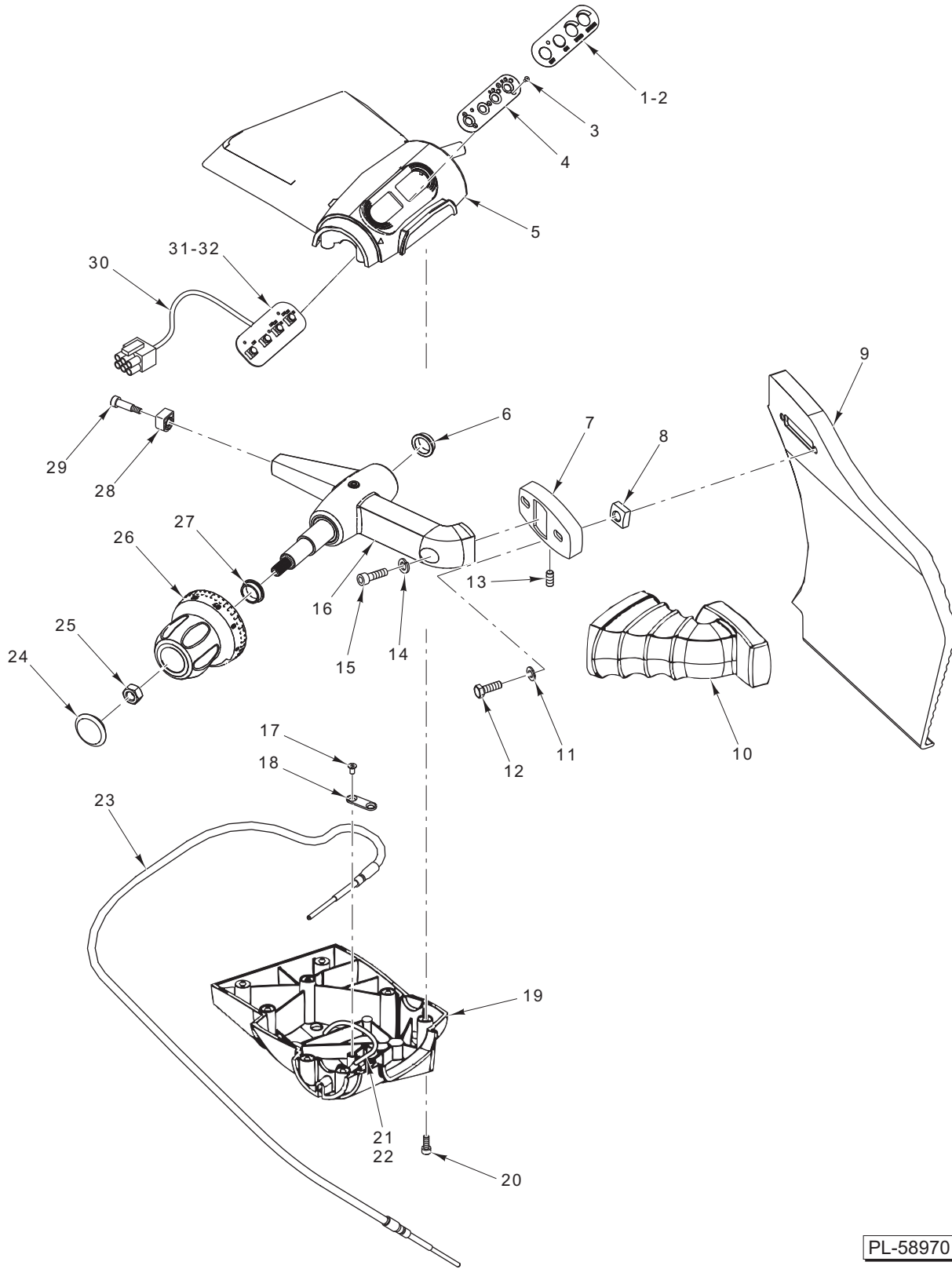


PL-58969

ARM ASSEMBLY

ARM ASSEMBLY

ILLUS.	PART NO.	NAME OF PART	AMT.
	PL-58969		
1	01-403875-00235	Plug – Top Plate.....	4
2	01-402175-02864	Cap Screw Socket Button Hd.....	4
3	01-402175-00524	Screw Table Adjustment.....	2
4	01-403875-00233	Top Plate (With Interlock).....	1
5	01-403875-00250	Top Plate (Without Interlock).....	1
6	01-402275-00582	Pin – Dowel.....	1
7	01-402275-00614	Bushing.....	1
8	01-404575-01037	Actuator Assy. – Interlock (Incls. Item 7).....	1
9	01-402175-02923	Cap Screw Flat Socket Hd.....	4
10	01-403475-01023	Plate – Autodrive Clutch.....	1
11	01-404575-01033	Clip Assy. – Autodrive Belt.....	1
12	01-402275-03047	Lockwasher #10 Internal.....	1
13	01-403375-01390	Pin – Eccentric.....	1
14	01-403475-01021	Cam – Autodrive Clutch.....	1
15	01-402175-00082	Nut – Hex.....	1
16	01-402175-02862	Cap Screw Socket Button Hd.....	1
17	01-403375-01286	Clamp – Interlock Assy.....	1
18	01-402175-00520	Self-Tapping Screw Button Socket Hd.....	2
19	01-402175-02831	Cap Screw Socket Button Hd.....	2
20	01-402675-00920	PCB Assy. – Arm Flex Cable.....	1
21	01-402275-00521	Bushing.....	2
22	01-403275-00242	Wick – Oil.....	1
23	01-402175-00520	Self-Tapping Screw Button Socket Hd.....	1
24	01-402275-00589	Washer.....	1
25	01-402175-00541	Plug – Pipe.....	1
26	01-403875-00195	Slider – Interlock Bar.....	1
27	01-402375-00184	Clevis – Stock.....	1
28	01-403875-00498	Spring Cup.....	1
29	01-403275-00236	Spring – Compressed.....	1
30	01-403375-01286	Clamp – Interlock Assy.....	1
31	01-402175-02934	Cap Screw Flat Socket Hd.....	1
32	01-403875-00499	Spring Shoulder.....	1
33	01-402375-00168	Cable – Interlock Arm.....	1
34	01-402175-02862	Cap Screw Socket Button Hd.....	1
35	01-402275-00592	Disc – Spring.....	1
36	01-403375-01376	Shaft – Clutch Pivot.....	1
37	01-403475-01022	Crank – Autodrive Clutch.....	1
38	01-402375-00184	Clevis – Stock.....	1
39	01-402175-00510	Screw Socket Nylon Hd.....	1
40	01-403375-01373	Rod – Clutch Engage.....	1
41	01-402275-00580	Knob – Clutch Engage.....	1
42	01-402175-00502	Shoulder Bolt.....	1
43	01-402375-00167	Roller – Transport.....	1
44	01-403375-01378	Spacer – Shaft.....	1
45	01-403375-01280	Mount – Transport Roller.....	1
46	01-402275-00587	Washer.....	1
47	01-402175-02745	Cap Screw Socket Hd.....	1
48	01-404375-00226	Arm – Transport (Incls. Item 21).....	1
49	01-403875-00240	Arm – Top Plate Brace.....	1
50	01-402175-00520	Self-Tapping Screw Button Socket Hd.....	2
51	01-403375-01282	Clevis – Table Interlock.....	1
52	01-402275-00232	Pin – Dowel.....	1
	01-404675-01127	Top Plate Assy. (With Interlocks) (Incls. Items 3, 4, 6, 7, 8, 17, 18, 33, & 49 thru 52).....	1

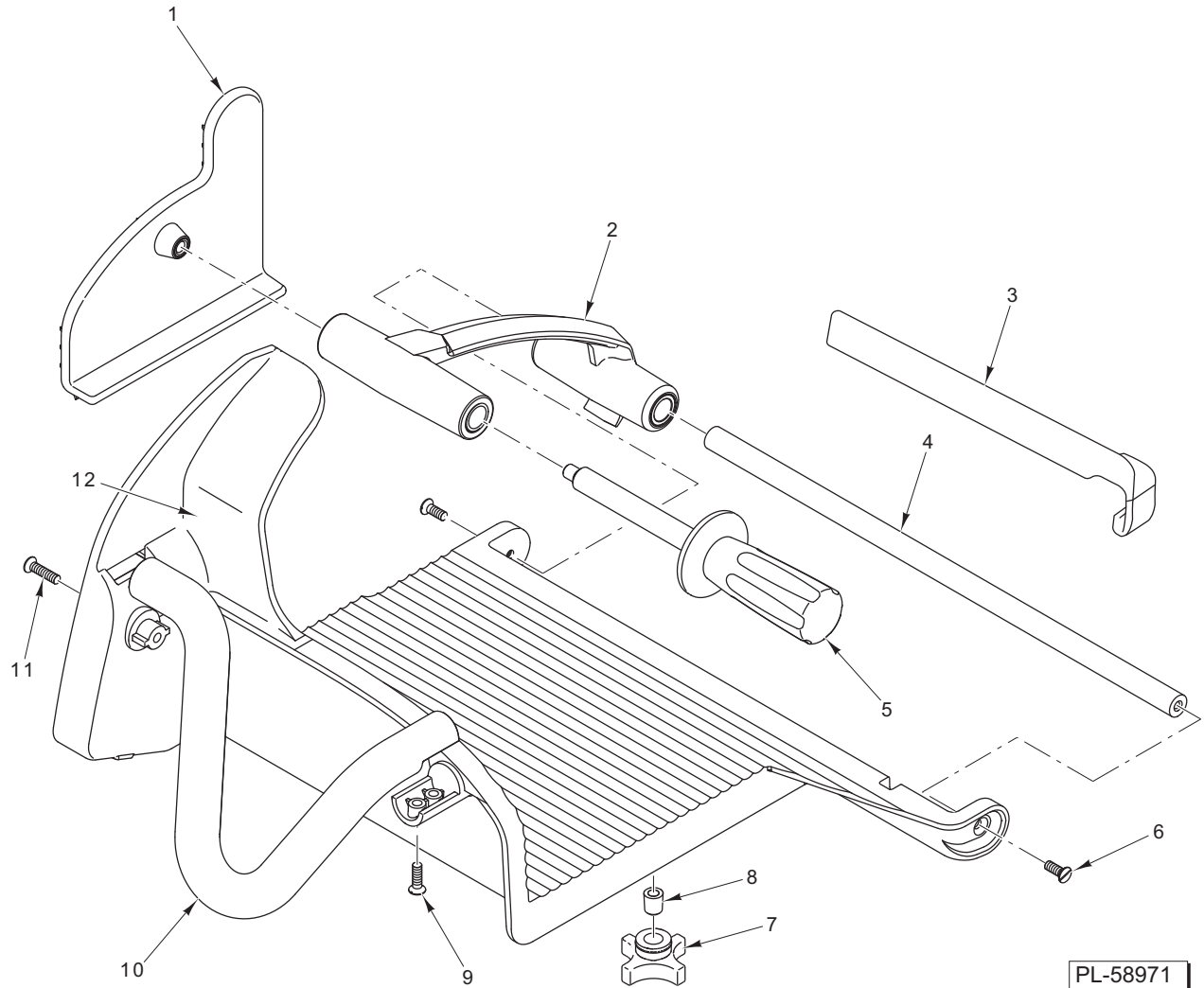


PL-58970

GAUGE PLATE ASSEMBLY

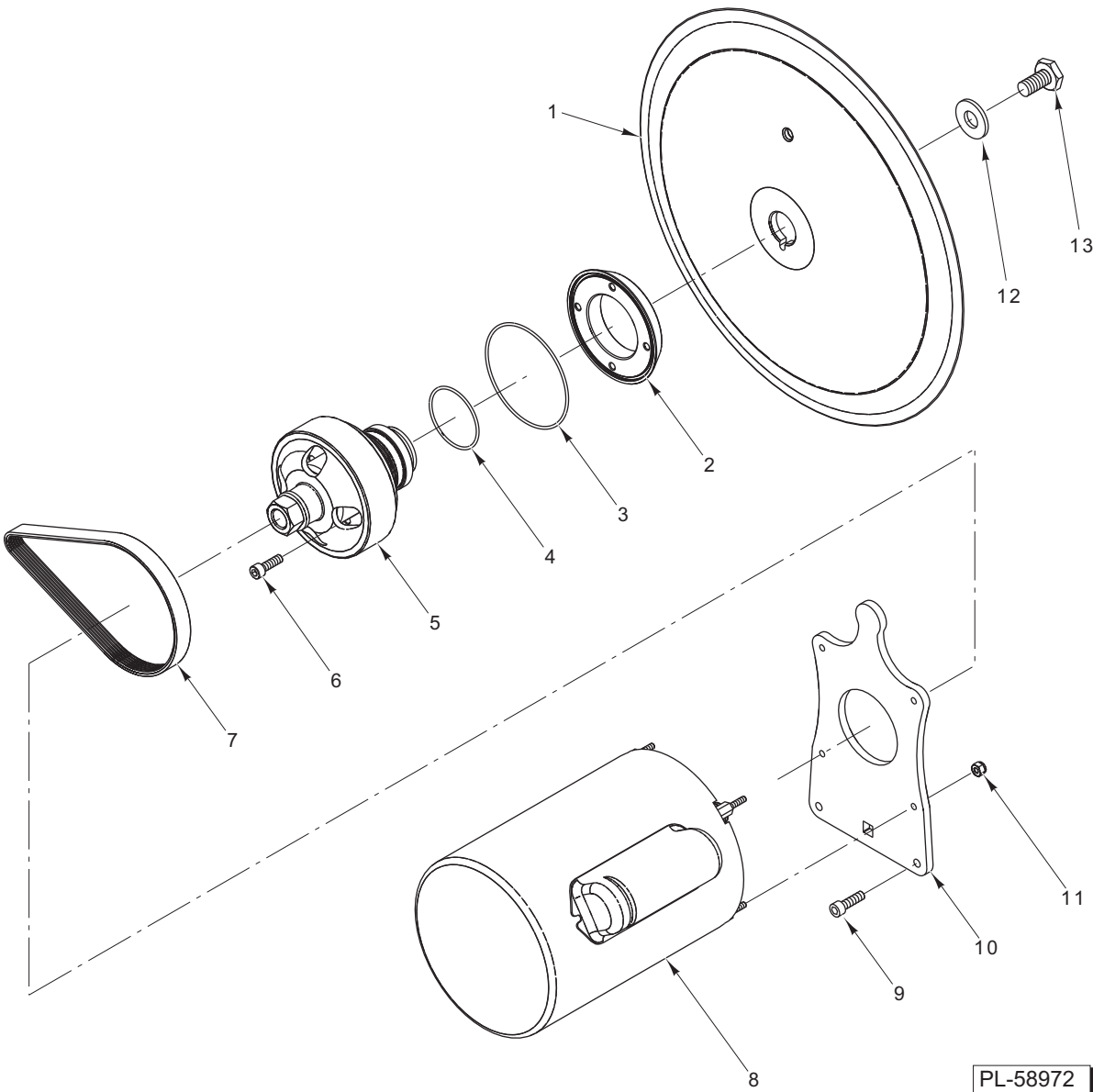
GAUGE PLATE ASSEMBLY

ILLUS. PL-58970	PART NO.	NAME OF PART	AMT.
1	01-403175-00941	Overlay – (Automatic) Berkel.....	1
2	01-403175-00945	Overlay – (Manual) Berkel.....	1
3	01-402175-00528	Screw M5 x 10mm Flat Hd.	AR
4	01-403875-00237	Mount – Upper.....	1
5	01-403875-00208	Housing – Upper.....	1
6	01-403875-00257	Bushing – Plastic Flanged.....	1
7	01-403275-00219	Block – Adjustment.....	1
8	01-403375-01276	Nut – Cylindrical.....	1
9	01-403775-00458	Plate – Gauge.....	1
10	01-403875-00236	Boot – Rubber Arm.....	1
11	01-402275-05055	Lockwasher.....	2
12	01-402175-02756	Cap Screw M8 x 20mm Hex Hd.	2
13	01-402175-00500	Set Screw.....	2
14	01-402275-06075	Lockwasher.....	1
15	01-402175-02779	Cap Screw M12 x 35 Hex Hd.	1
16	01-404375-00232	Arm – Index Support Assy. (Incls. Items 28 & 29).....	1
17	01-402175-00517	Self-Tapping Screw M5 x 10mm Flat Socket Hd.	2
18	01-403375-01286	Clamp – Interlock Assy.....	1
19	01-403875-00207	Housing – Lower Index.....	1
20	01-402175-02744	Cap Screw M6 x 16mm Socket Hd.	AR
21	01-402275-00609	Grommet Assy. (X13E & X13AE).....	1
22	01-403375-01393	Stop Pin – Index Knob (X13E & X13AE).....	1
23	01-402375-00175	Cable – Interlock Base Assy. (X13 & X13A).....	1
24	01-402275-00414	Plug.....	1
25	01-402175-00504	Nut.....	1
26	01-403875-00173	Knob – Index Assy.....	1
27	01-403875-00257	Bushing – Plastic Flanged.....	1
28	01-403875-00258	Arm – Slider.....	1
29	01-402175-00501	Shoulder Bolt.....	1
30	01-404175-00715	Harness – Upper Panel.....	1
31	01-402675-00918	PCB Assy. Upper (Automatic).....	1
32	01-402675-00921	PCB Assy. Upper (Manual).....	1
	01-404675-01159	Housing Assy. (X13) (Incls. Items 2 thru 6, 16 thru 22, 27 thru 30, & 32).....	1
	01-404675-01160	Housing Assy. (X13A) (Incls. Items 1, 3, 4, 5, 6, 16 thru 20, 23, & 27 thru 31).....	1
	01-404675-01162	Housing Assy. (X13AE) (Incls. Items 1, 3 thru 6, 16 thru 22, & 27 thru 31).....	1
	01-404675-01165	Housing Assy. (X13E) (Incls. Items 5, 6, 16 thru 22, 24, 25, 27, 28, & 29).....	1



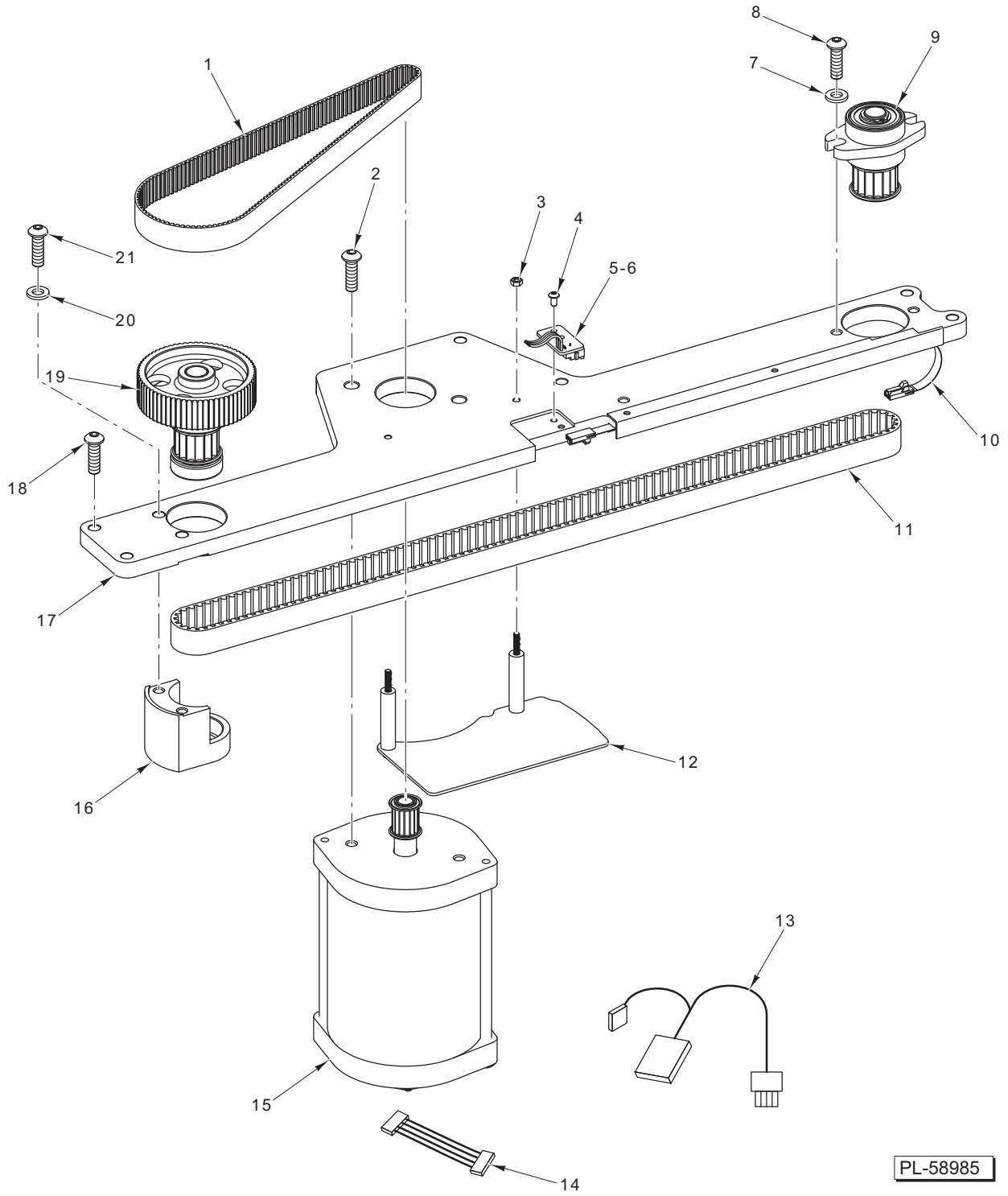
PRODUCT TABLE

ILLUS.	PART NO.	NAME OF PART	AMT.
PL-58971			
1	01-403875-00177	Pusher Assy.	1
2	01-404375-00236	Arm – Pusher.....	1
3	01-404675-01135	Fence – Product	1
4	01-403375-01387	Rail – Guide.....	1
5	01-404575-01032	Handle – Pusher.....	1
6	01-402175-00509	Cap Screw Slotted Flat Hd.	2
7	01-402275-00622	Knob	1
8	01-403375-01386	Sleeve.....	1
9	01-402175-00505	Cap Screw Slotted Flat Hd.	2
10	01-403875-00175	Handle – Table (Red).....	1
11	01-402175-02949	Cap Screw Flat Socket Hd.....	1
12	01-404975-00476	Table – Product.....	1
	01-404675-01134	Table Assy. (Incls. Items 1 thru 12)	1



KNIFE AND MOTOR ASSEMBLY

ILLUS.	PART NO.	NAME OF PART	AMT.
PL-58972			
1	01-403675-00277	Knife.....	1
2	01-403375-01269	Mount – Spindle.....	1
3	01-402275-00530	O-Ring (Spindle Mount).....	1
4	01-402275-00554	O-Ring (Bearing Housing).....	1
5	01-404675-01140	Hub Assy. (Knife).....	1
6	01-402175-02746	Cap Screw Socket Hd.....	4
7	01-402375-00176	Belt – Knife Drive.....	1
8	01-404175-00686	Motor (110-115 V.).....	1
9	01-402175-02744	Cap Screw Socket Hd.....	2
10	01-403475-00963	Mount – Knife Motor.....	1
11	01-402175-00469	Nut – Motor Mount.....	4
12	01-402275-00524	Washer.....	1
13	01-402175-00468	Bolt – Knife.....	1

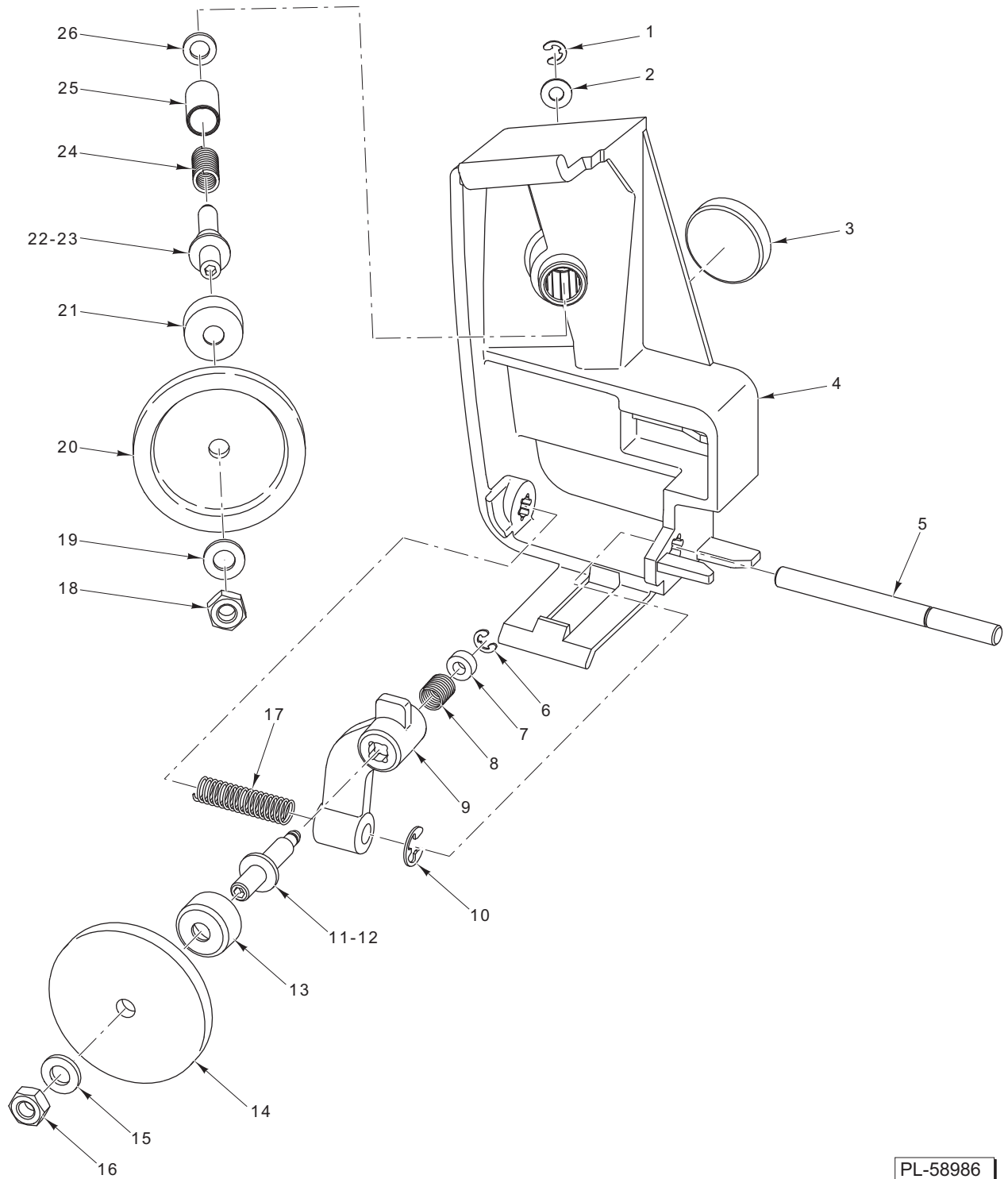


AUTODRIVE ASSEMBLY

PL-58985

AUTODRIVE ASSEMBLY

ILLUS. PL-58985	PART NO.	NAME OF PART	AMT.
1	01-402375-00172	Belt – Secondary	1
2	01-402175-02868	Cap Screw Socket Button Hd.	1
3	01-402175-00522	Lock Nut Hex	2
4	01-402175-02831	Cap Screw Socket Button Hd.	2
5	01-404175-00732	Cable (J4) (Non-Interlock) (X13AE).....	1
6	01-404175-00740	Cable Assy. (J4) (Interlock) (X13A).....	1
7	01-402275-00587	Washer.....	2
8	01-402175-02866	Cap Screw Socket Button Hd.	2
9	01-404375-00224	Tensioner Assy.	1
10	01-404175-00714	Flex Cable Assy.	1
11	01-402375-00171	Belt – Primary	1
12	01-404675-01151	Guide Assy. (Flex Cable)	1
13	01-404175-00716	Cable (J9) (Encode PCB Jumper)	1
14	01-404175-00739	Cable Assy. – Optical Encoder.....	1
15	01-404175-00734	Motor Assy.	1
16	01-403775-00495	Housing – Autodrive Transmission	1
17	01-404975-00481	Autodrive Plate Assy.	1
18	01-402175-02868	Cap Screw Socket Button Hd.	1
19	01-404375-00225	Transmission.....	1
20	01-402275-00603	Washer – Nylon	2
21	01-402175-02868	Cap Screw Socket Button Hd.	2
	01-404175-00716	Encoder – PCB Jumper	1



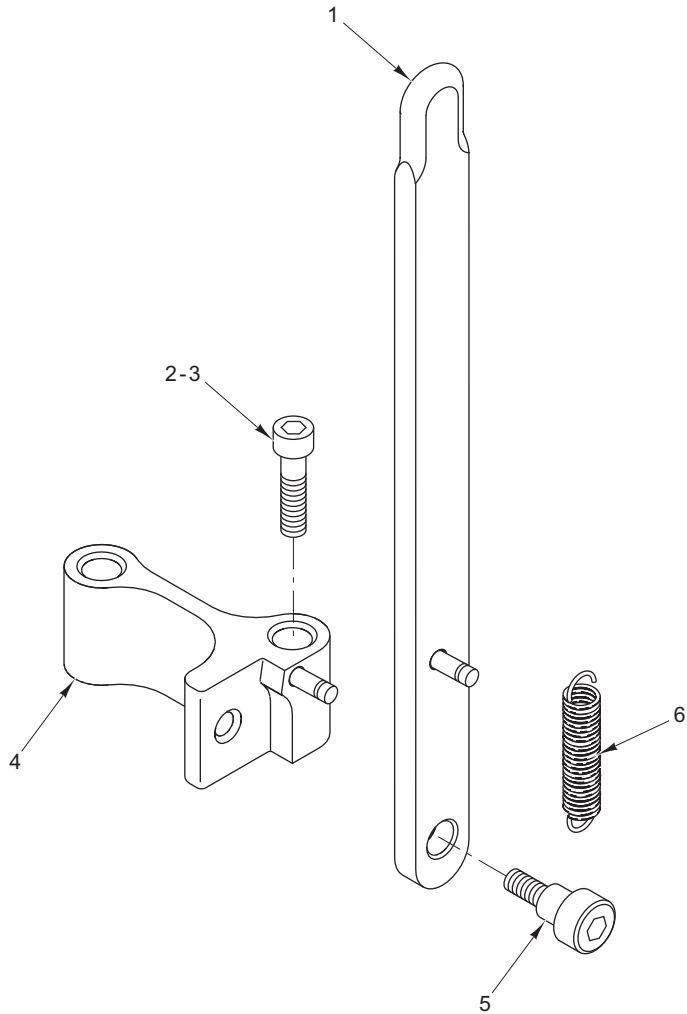
PL-58986

KNIFE SHARPENER UNIT

KNIFE SHARPENER UNIT

ILLUS. PL-58986	PART NO.	NAME OF PART	AMT.
1	01-402275-00594	E-Clip	1
2	01-402275-00441	Washer.....	1
3	01-402775-00733	Magnet.....	1
4	01-403875-00231	Frame – Sharpener.....	1
5	01-403375-01381	Shaft – Sharpener Actuator	1
6	01-402275-00594	E-Clip	1
7	01-402275-00595	Bushing.....	1
8	01-403275-00231	Spring – Debur.....	1
9	01-403875-00230	Frame – Debur.....	1
10	01-402275-00583	E-Clip	1
*11	01-404975-00485	Kit – Debur Spindle (RH) (Incls. Item 16)	1
12	01-403375-01411	Shaft – Debur Spindle (RH)	1
13	01-403875-00232	Skirt (Debur)	1
14	01-403675-00283	Stone – Borazon (Debur).....	1
15	01-402275-00587	Washer.....	1
*16	01-402175-00540	Nut M6 x 1 Hex (RH)	1
17	01-403275-00232	Spring – Sharpener Actuator	1
*18	01-402175-00540	Nut M6 x 1 Hex (RH)	1
19	01-402275-00587	Washer.....	1
20	01-403675-00283	Stone – Borazon (Sharpener).....	1
21	01-403875-00232	Skirt (Sharpener)	1
*22	01-404975-00484	Kit – Sharpening Spindle (RH) (Incls. Item 18).....	1
23	01-403375-01410	Shaft – Sharpening Spindle (RH)	1
24	01-403275-00230	Spring – Sharpener.....	1
25	01-402275-00596	Bushing.....	1
26	01-403475-01040	Washer – Fiber	1
	01-404675-01158	Knife Sharpener Assy. (Incls. Items 1 thru 26).....	1

*When replacing left-hand threaded nuts or shafts with right-hand threaded parts, use kit item 11 or 22 above. Note that left-hand nuts and shafts are no longer available.



PL-58984

KICKSTAND ASSEMBLY

ILLUS.	PART NO.	NAME OF PART	AMT.
PL-58984			
1	01-404375-00235	Leg – Kickstand Sub Assy.....	1
2	01-402175-00527	Screw M6 x 40mm Button Socket Hd. (Automatic Slicers).....	1
3	01-402175-02869	Cap Screw Button Hd. (Manual Slicers)	1
4	01-404375-00234	Bracket Assy. – Kickstand.....	1
5	01-402175-00525	Shoulder Bolt	1
6	01-403275-00234	Spring – Extension.....	1
	01-404675-01139	Kickstand Assy. (Incls. Items 5 & 6).....	1