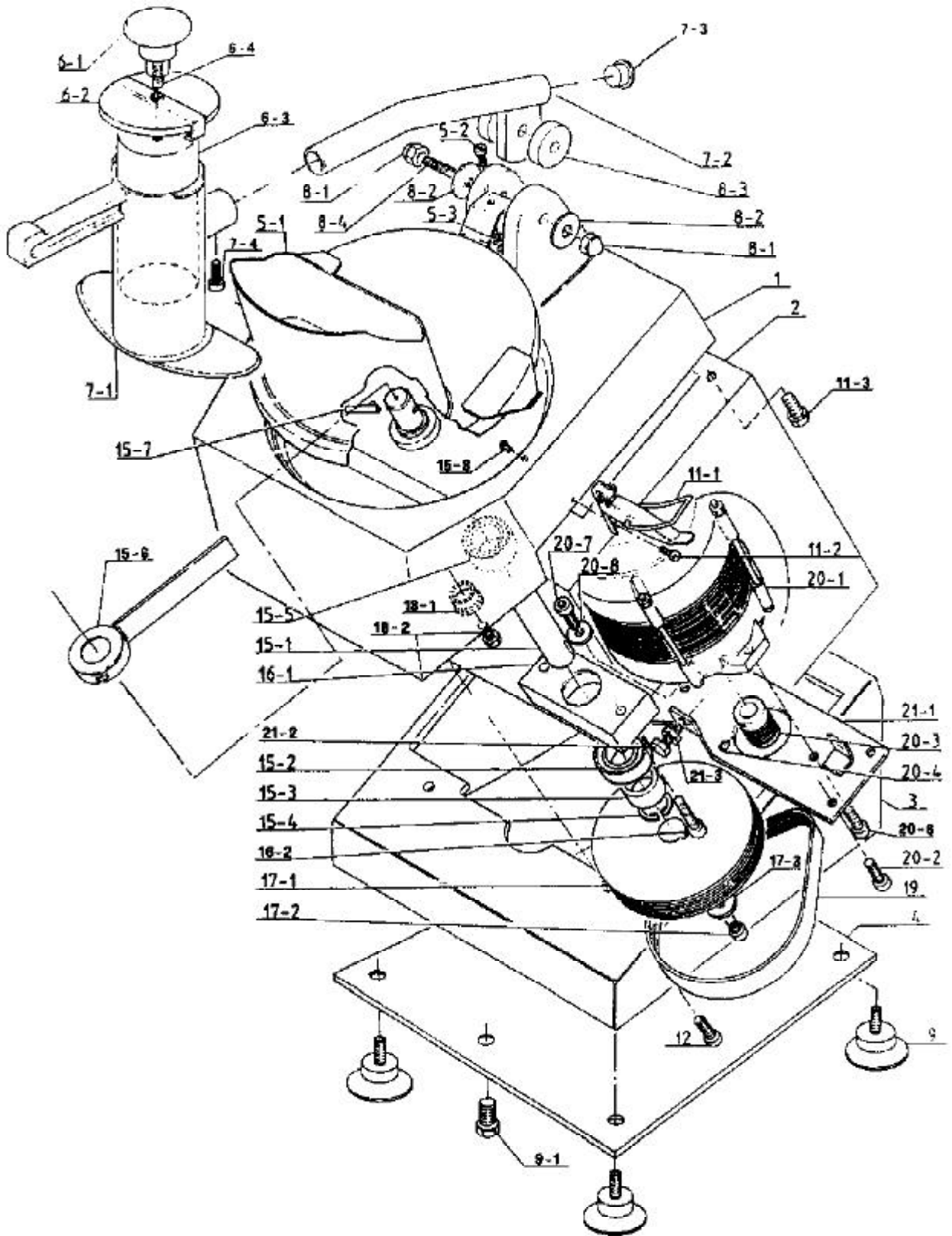
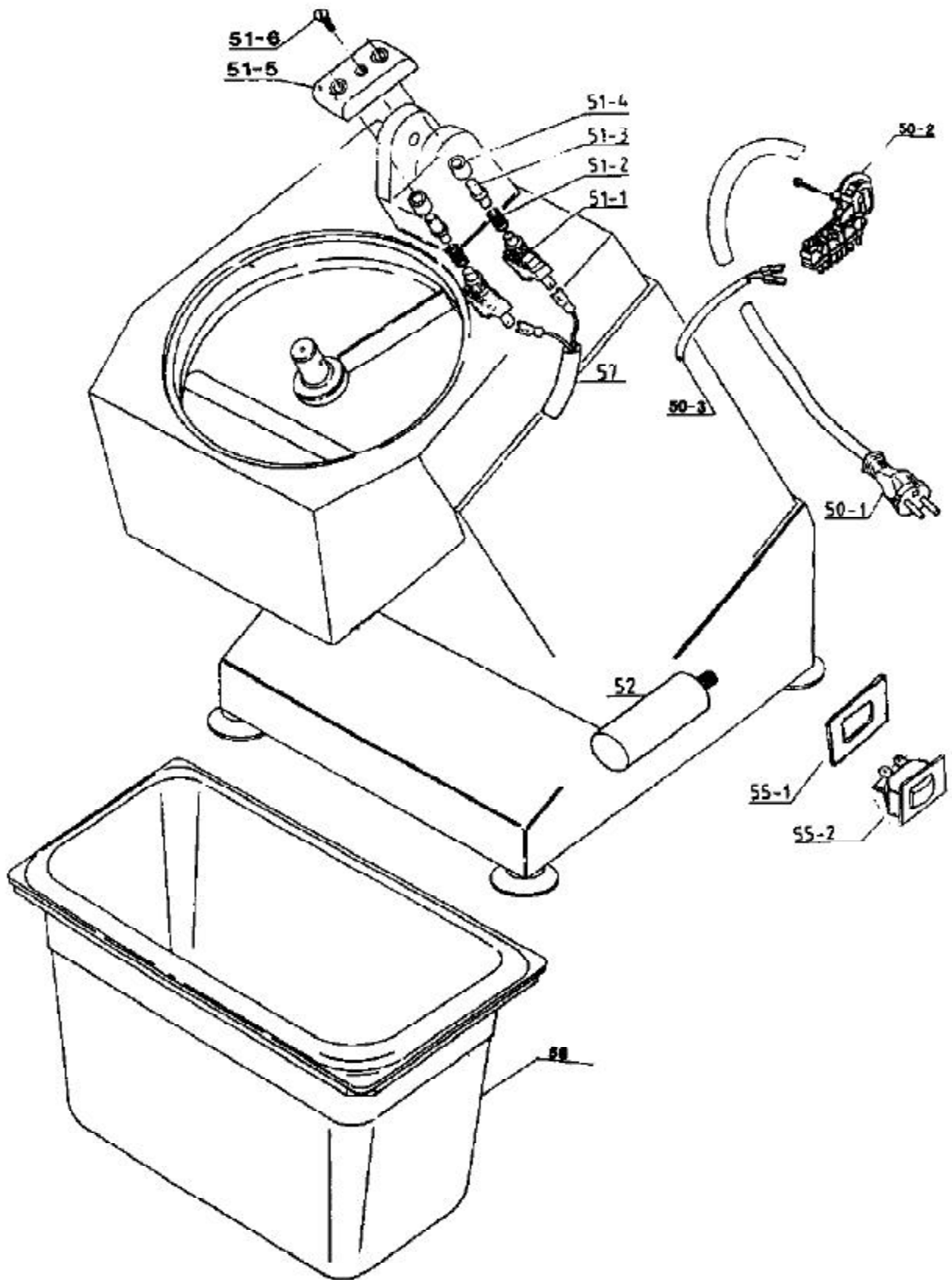


TM-100 Housing



Item	Description	Part Number	Item	Description	Part Number
1	Upper Housing	TM-10800-10	16-1	Bearing Block	TM-14400-10
2	SS Cabinet w/Louvers	TM-24800-00	16-2	SS Screw	TM-10000-62
3	Aluminum Base	TM-10800-20	17-1	Belt Pulley	TM-28400-10
4	Bottom Cover	TM-14800-20	17-2	SS Screw M6 x 18	TM-10000-72
5-1	SS Hopper	TM-22200-10	17-3	SS Washer M6	TM-10000-73
5-2	Screw	TM-50000-02	18-1	Spacer	TM-20400-60
5-3	Nut	TM-50000-03	18-2	Screw	TM-10000-82
6-1	Product Pusher Knob	TM-42000-10	19	Belt	TM-70000-10
6-2	Product Pusher Flange	TM-42000-30	20-1	Motor 110/60/1	TM-50501-00
6-3	Product Pusher Base	TM-40000-40	20-2	Screw M6 x 18	TM-20000-02
6-4	Threaded Stud M10	TM-20000-20	20-3	Motor Pulley	TM-20400-30
7-1	Pusher Handle	TM-40000-10	20-4	Set Screw M6	TM-20000-04
7-2	SS Handle Lever	TM-19800-50	20-6	Bolt M8 x 20	TM-20000-06
7-3	Plug	TM-40000-00	20-7	Bolt M6 x 30	TM-20000-07
7-4	Screw M2	TM-70000-04	20-8	Washer M6 x 8	TM-20000-08
8-1	Acorn Nut M8	TM-80000-01	21-1	Motor Bracket	TM-24800-50
8-2	SS Washer M8 x 24	TM-80000-02	21-2	Bolt M8 x 30	TM-20000-12
8-3	Nylon Spacer	TM-40000-30	21-3	Nut M8	TM-20000-13
8-4	Threaded Stud M8	TM-20000-10	50-1	Power Cord	4175-00031
9	Leveling Leg M8	TM-41000-10	50-2	Power Cord Terminal St	TM-194108-03
9-1	Screw M10	TM-90000-01	50-3	Power Connection Cable	TM-50000-03
11-1	SS Locking Clamp	TM-22800-50	51-1	Microswitch	TM-58200-10
11-2	SS screw M5	TM-10000-12	51-2	Spring	TM-75-MTM
11-3	Screw M6 x 12	TM-10000-13	51-3	Micro Plunger (Long)	TM-20800-50
12	Screw M6 x 18	TM-00000-12	51-3	Micro Plunger (Short)	TM-20800-30
15-1	Main Shaft	TM-20800-10	51-4	Spacer	TM-50000-14
15-2	Bearing 6004 ZZ	TM-193202-36	51-5	Microswitch Housing	TM-14800-30
15-3	SS Spacer 21 x 18	TM-20800-40	51-6	Screw M4 x 12	TM-50000-16
15-4	SS Snap Ring 42	TM-10000-54	55-1	Switch Trim Ring	TM-50000-51
15-5	Bearing 6004 2RS	TM-193202-35	55-2	Switch	TM-50000-52
15-6	Product Ejector	TM-40751	52	Capacitor 20uf	TM-59800-10
15-7	Dowel Pin D5 x 24	TM-10000-57	57	Microswitch Cable	TM-55500-20
15-8	Aluminum Stud	TM-10000-58	58	Product Container	TM-407500-80
	Disc Holder	TM-407500-40	59-1	Screw	TM-193350-11

TM-100 Switches



TM-100 Wiring Diagram

