



CATALOG OF REPLACEMENT PARTS



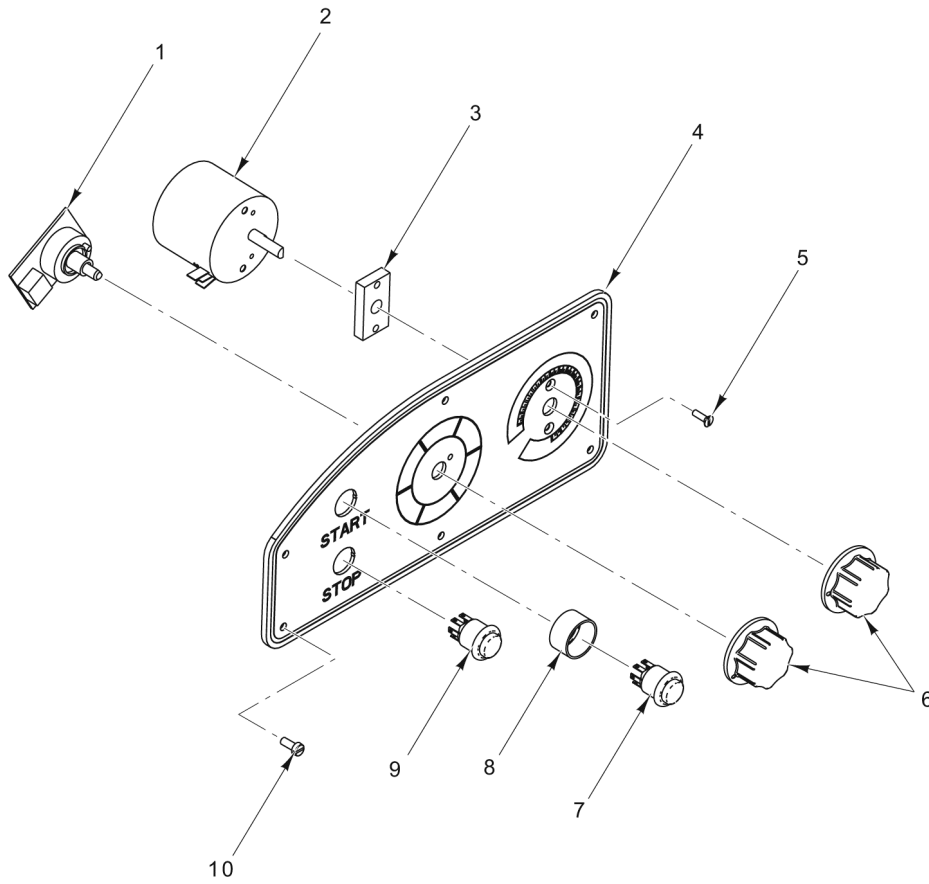
FMS60 MIXER

ML-134493

ML-141003

Table of Contents

5	CONTROL PANEL
7	ELECTRICAL COMPONENTS
9	ATTACHMENT HUB
11	BASE AND PEDESTAL
15	BOWL SUPPORT
17	TRANSMISSION CASE AND MOTOR
19	TRANSMISSION
21	BOWL GUARD AND HEIGHT SENSOR
23	AGITATORS AND ACCESSORIES
25	WIRING HARNESSSES

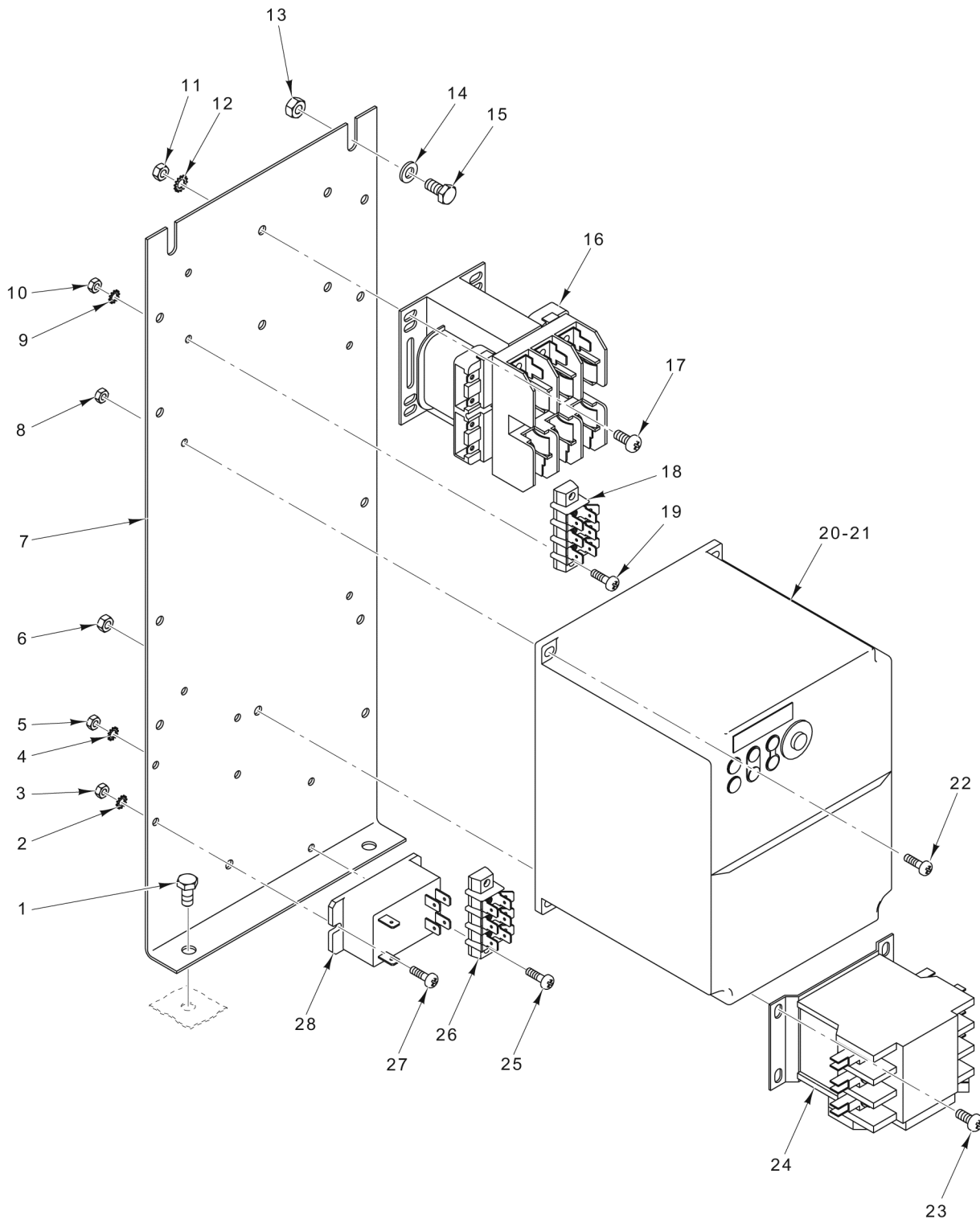


PL-59092

CONTROL PANEL

CONTROL PANEL

ILLUS.	PART NO.	NAME OF PART	AMT.
1	00-917354	PCB Assy. - Speed Select.....	1
2	00-916988-00006	Timer Assy. (180-250 V., 60 Hz.).....	1
3	00-916938	Spacer - Timer.....	1
4	00-917475-00001	Panel - Operator (Red).....	1
5	SC-022-72	Mach. Screw 5-40 x 7/16 Slotted Flat Hd.....	2
6	00-917141	Knob - Control.....	2
7	00-917447	Switch - Start.....	1
8	00-917446	Guard - Switch.....	1
9	00-917448	Switch Assy. - Stop.....	1
10	SC-120-61	Mach. Screw M4 x 0.7 x 10mm Slotted Cheese Hd.....	6

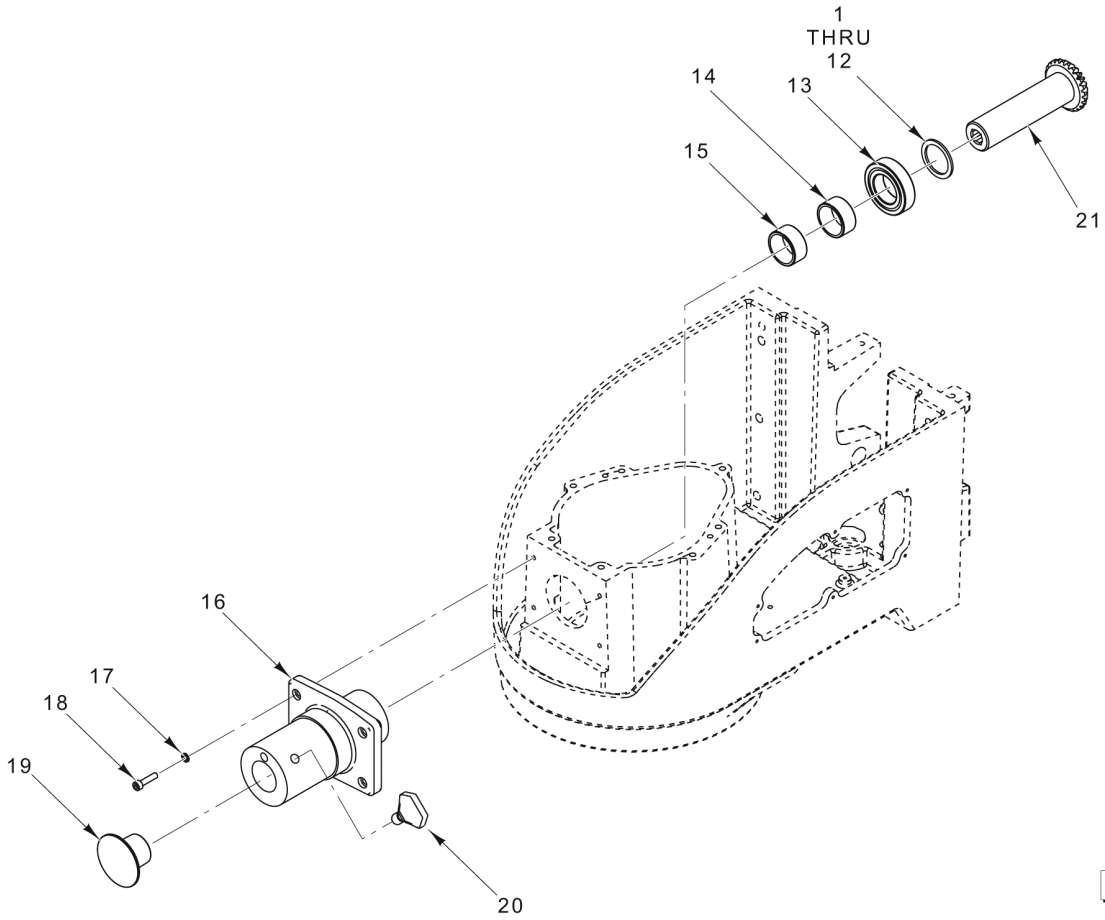


PL-59094

ELECTRICAL COMPONENTS

ELECTRICAL COMPONENTS

ILLUS.	PART NO.	NAME OF PART	AMT.
	PL-59094		
1	SC-125-09	Mach. Screw M6 x 1.0 x 12mm Hex Hd.....	2
2	WL-019-81	Lockwasher M4 External (SST).....	2
3	NS-047-48	Nut M4 Hex.....	2
4	WL-019-81	Lockwasher M4 External (SST).....	2
5	NS-047-48	Nut M4 Hex.....	2
6	NS-047-49	Nut M5 Hex.....	4
7	00-917601	Plate - Controller Mounting.....	1
8	NS-047-48	Nut M4 Hex.....	4
9	WL-019-81	Lockwasher M4 External (SST).....	2
10	NS-047-48	Nut M4 Hex.....	2
11	NS-047-49	Nut M5 Hex.....	4
12	WL-019-69	Lockwasher M5 External Shakeproof.....	4
13	NS-047-50	Nut Hex M6 X 1.0.....	2
14	WS-031-17	Washer.....	2
15	SC-125-09	Mach. Screw M6 x 1.0 x 12mm Hex Hd.....	2
16	00-294500-032-1	Transformer 50 Amp. (480 V.) (ML-141003).....	1
17	SC-128-15	Mach. Screw M5 x 0.8 x 12mm Phil. Pan Hd.....	4
18	00-916269	Block - Terminal.....	1
19	SC-128-14	Mach. Screw M4 x 0.7 x 14mm Phil. Pan Hd.....	2
20	00-917581	Controller (400-460 V., 50-60 Hz., 3 Ph.) (ML-141003).....	1
21	00-917580	Controller (200-240 V., 50-60 Hz., 3 Ph.) (ML-134493).....	1
22	SC-128-14	Mach. Screw M4 x 0.7 x 14mm Phil. Pan Hd.....	4
23	SC-128-15	Mach. Screw M5 x 0.8 x 12mm Phil. Pan Hd.....	4
24	00-087713-107-1	Contact (200-230 V.).....	1
25	SC-128-14	Mach. Screw M4 x 0.7 x 14mm Phil. Pan Hd.....	2
26	00-916269	Block - Terminal.....	1
27	SC-128-14	Mach. Screw M4 x 0.7 x 14mm Phil. Pan Hd.....	2
28	00-087714-042-3	Relay (2-Pole) (240 VAC).....	1

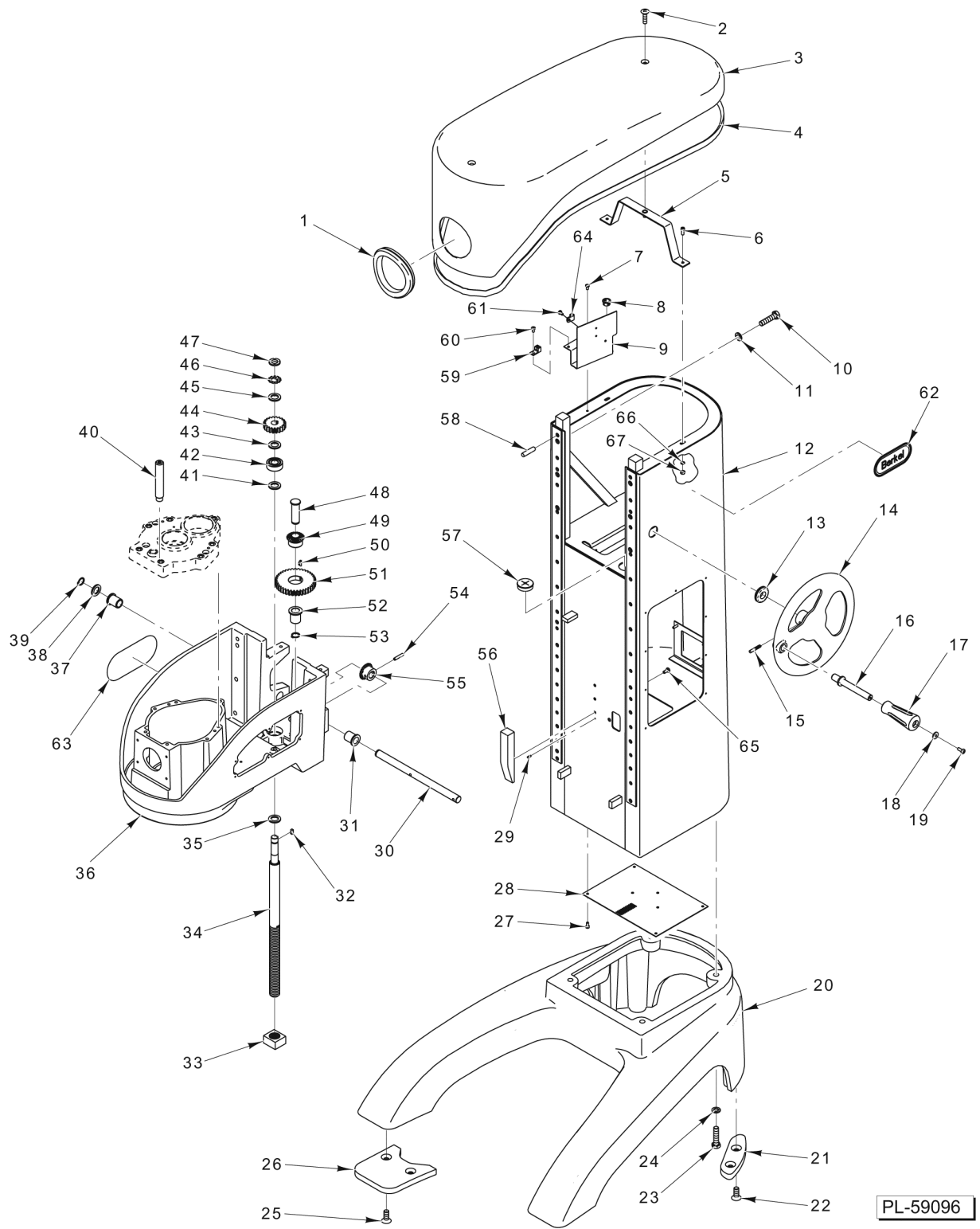


PL-59095

ATTACHMENT HUB

ATTACHMENT HUB

ILLUS. PL-59095	PART NO.	NAME OF PART	AMT.
1	00-061920-00001	Washer - Thrust (0.076 Thk.).....	AR
2	00-061920-00002	Washer - Thrust (0.079 Thk.).....	AR
3	00-061920-00003	Washer - Thrust (0.082 Thk.).....	AR
4	00-061920-00004	Washer - Thrust (0.085 Thk.).....	AR
5	00-061920-00005	Washer - Thrust (0.088 Thk.).....	AR
6	00-061920-00006	Washer - Thrust (0.091 Thk.).....	AR
7	00-061920-00007	Washer - Thrust (0.094 Thk.).....	AR
8	00-061920-00008	Washer - Thrust (0.097 Thk.).....	AR
9	00-061920-00009	Washer - Thrust (0.100 Thk.).....	AR
10	00-061920-00010	Washer - Thrust (0.103 Thk.).....	AR
11	00-061920-00011	Washer - Thrust (0.106 Thk.).....	AR
12	00-061920-00012	Washer - Thrust (0.070 Thk.).....	AR
13	BB-013-03	Ball Bearing - Nice #618.....	1
14	BN-002-06	Bearing - Needle.....	1
15	BN-002-06	Bearing - Needle.....	1
16	00-917421-00002	Hub - Attachment.....	1
17	WL-020-12	Lockwasher M6 Spring.....	4
18	SC-130-60	Cap Screw M6 x 1.0 x 25mm Hex Socket Hd.....	4
19	00-917322	Plug - Attachment (Black).....	1
20	00-108197-00001	Thumb Screw 1-1/4.....	1
21	00-917513	Pinion - Bevel Attachment Hub.....	1



BASE AND PEDESTAL

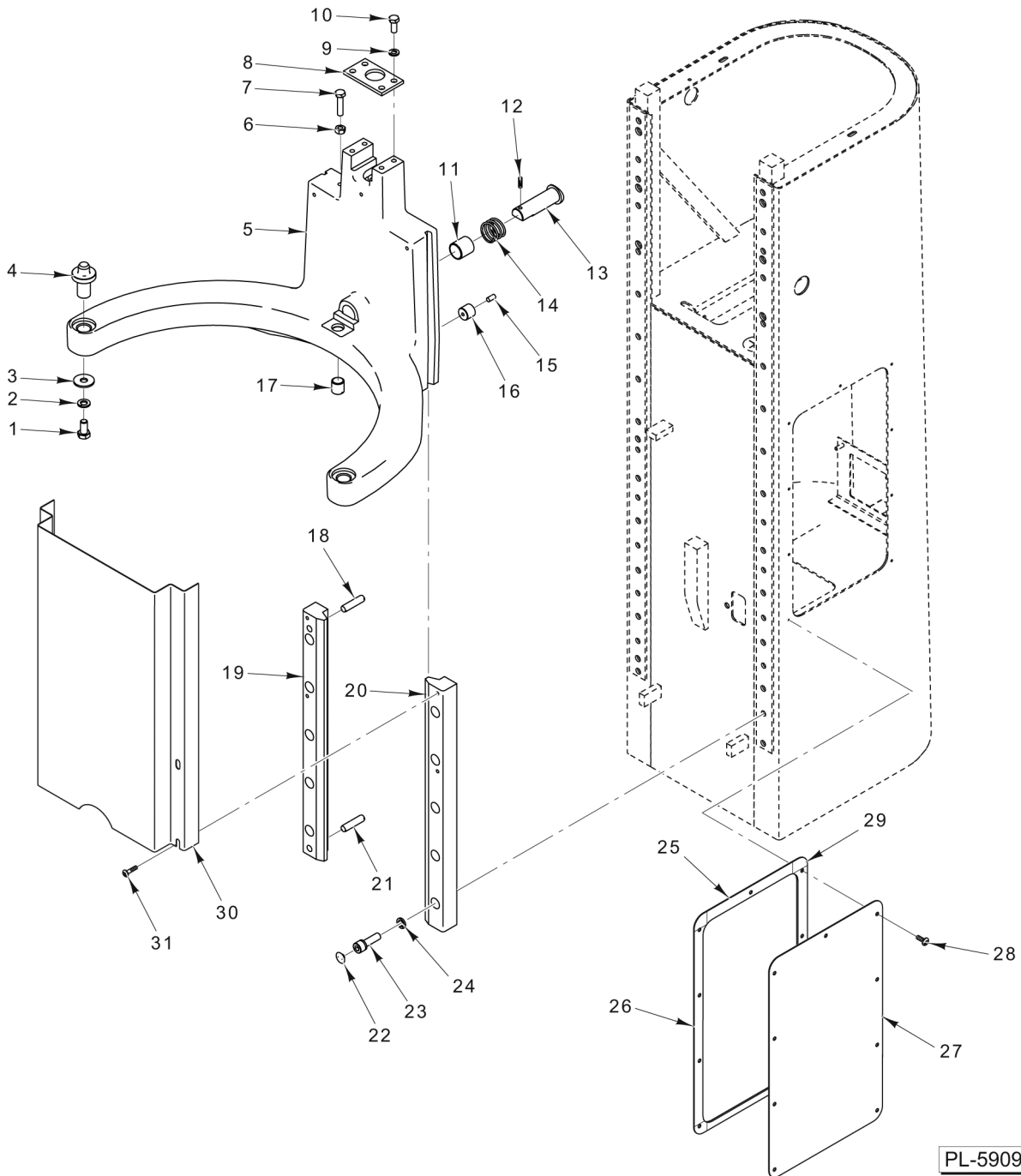
BASE AND PEDESTAL

ILLUS. PL-59096	PART NO.	NAME OF PART	AMT.
1	00-917128	Grommet - Attachment Hub.....	1
2	SC-120-29	Mach. Screw 1/4-20 x 1 Phil. Oval Hd.....	1
3	00-917470-00001	Cover - Top (With Hub).....	1
4	00-874925-00010	Seal - Neoprene.....	1
5	00-917623	Strap - Insert Top Cover.....	1
6	SC-130-17	Mach. Screw M6 x 1.0 x 16mm Phil. Pan Hd.....	2
7	SD-038-68	Self-Tapping Screw M5 x 0.8 x 10mm Phil. Pan Hd., Type TT.....	1
8	FE-021-13	Bushing (Nylon) 1/2 I.D.....	1
9	00-917766	Shield - Wiring.....	1
10	SC-130-71	Cap Screw M12 x 1.75 x 50mm Hex Hd.....	6
11	WL-020-15	Lockwasher M12 Helical.....	6
12	00-917455	Pedestal.....	1
13	00-917641	Grommet - Bowl Lift.....	1
14	00-917548-00002	Handwheel.....	1
15	00-937063	Pin.....	1
16	00-917550	Axle - Handle.....	1
17	00-917549	Handle - Handwheel.....	1
18	WS-030-43	Washer (SST).....	1
19	SC-130-49	Mach. Screw M6 x 1.0 x 16mm Slotted Flat Hd. (SST).....	1
20	00-917412-00002	Base.....	1
21	00-917583	Pad - Rear Foot.....	2
22	SC-130-92	Cap Screw M12 x 1.75 x 30mm Hex Flat Hd.....	4
23	SC-130-71	Cap Screw M12 x 1.75 x 50mm Hex Hd.....	4
24	WL-020-15	Lockwasher M12 Helical.....	4
25	SC-130-92	Cap Screw M12 x 1.75 x 30mm Hex Flat Hd.....	4
26	00-917582	Pad - Front Foot.....	2
27	SC-128-15	Mach. Screw M5 x 0.8 x 12mm Phil. Pan Hd.....	4
28	00-917479	Screen - Pedestal Bottom.....	1
29	RP-006-47	Pin - Roll (4mm x 10mm Lg.).....	1
30	00-917551	Shaft - Handwheel.....	1
31	00-917621	Bearing - Handwheel Shaft.....	1
32	00-917496-00017	Key - Metric.....	1
33	00-917487	Nut - Bowl Lift Screw.....	1
34	00-917488	Screw - Bowl Lift.....	1
35	WS-031-65	Washer.....	1
36	00-917429-00002	Case - Transmission.....	1
37	00-917621	Bearing - Handwheel Shaft.....	1
38	WS-031-65	Washer.....	1
39	RR-011-90	Retaining Ring.....	1
40	00-917590	Standoff - Front.....	1
41	WS-031-65	Washer.....	1
42	BB-005-30	Ball Bearing NSK #6203DDUCE.....	1
43	WS-031-65	Washer.....	1
44	00-917532	Pinion - Driven Bowl Lift.....	1
45	WS-031-65	Washer.....	1
46	WL-020-16	Lockwasher 17mm x 32mm BRG.....	1
47	NS-049-21	Lock Nut M17 x 1.....	1
48	00-917536	Shaft - Miter Gear Stub.....	1
49	00-917534	Gear - Bowl Lift.....	1
50	00-917606	Key - Woodruff.....	1
51	00-917533	Gear - Driver Bowl Lift.....	1
52	00-024603	Bearing - Handwheel.....	1
53	RR-011-90	Retaining Ring.....	1
54	RP-006-46	Pin - Roll (6mm x 30mm Lg.).....	1
55	00-917535	Gear - Bowl Lift.....	1

BASE AND PEDESTAL

ILLUS.	PART NO.	NAME OF PART	AMT.
PL-59096			
56	00-917666	Ramp - Pin Slide.....	1
57	FE-026-28	Bushing - Electric Snap.....	1
58	00-917595-00001	Dowel.....	2
59	00-118544-00001	Lug - Solderless.....	1
60	SD-038-68	Self-Tapping Screw M5 x 0.8 x 10mm Phil. Pan Hd., Type TT.....	1
61	SD-038-68	Self-Tapping Screw M5 x 0.8 x 10mm Phil. Pan Hd., Type TT.....	1
62	00-916992	Logo (Berkel).....	1
63	00-917341	Logo - Berkel (Large).....	1
64	00-078752-00003	Clamp - Cable.....	1
65	SC-125-09	Mach. Screw M6 x 1.0 x 12mm Hex Hd.....	2
66	WL-020-12	Lockwasher M6 Spring.....	2
67	NS-047-50	Nut Hex M6 X 1.0.....	2

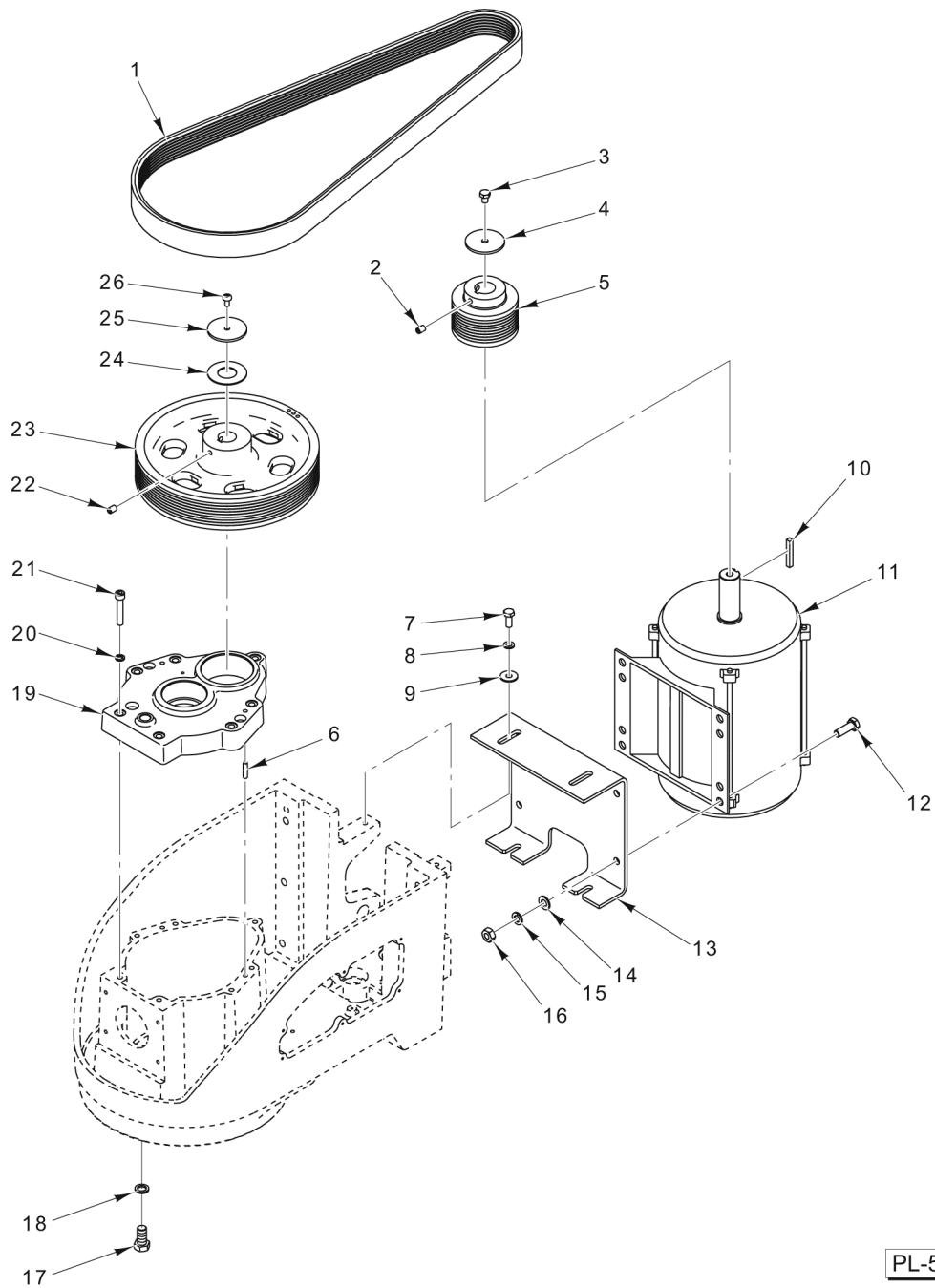
NOTES



BOWL SUPPORT

BOWL SUPPORT

ILLUS. PL-59097	PART NO.	NAME OF PART	AMT.
1	SC-118-75	Cap Screw M10 x 1.50 x 20mm Hex Hd.....	2
2	WL-019-98	Lockwasher M10 Helical.....	2
3	WS-031-63	Washer.....	2
4	00-917554	Pin - Bowl Mounting.....	2
5	00-917424-00002	Support - Bowl.....	1
6	NS-200-02	Nut M8 x 1.25 Hex.....	1
7	SC-130-81	Mach. Screw M8 x 1.25 x 35mm Hex Hd.....	2
8	00-917609	Retainer - Bowl Lift Nut.....	1
9	WL-019-70	Lockwasher M8 Helical.....	4
10	SC-120-59	Cap Screw M8 x 1.25 x 20mm Hex Hd.....	4
11	00-917664	Bushing - Slide Pin.....	1
12	00-937064	Pin.....	1
13	00-917665	Pin - Bowl Slide.....	1
14	00-917667	Spring - Slide Pin.....	1
15	00-917185	Magnet.....	1
16	00-917186	Holder - Magnet.....	1
17	00-917937	Pad - Isolator.....	1
18	00-917595-00001	Dowel.....	1
19	00-917438-00001	Slideway (LH).....	1
20	00-917438-00002	Slideway (RH).....	1
21	00-917595-00001	Dowel.....	1
22	PB-004-90	Cap.....	6
23	SC-130-70	Cap Screw M10 x 1.50 x 35mm Hex Socket Hd.....	10
24	WL-020-14	Lockwasher M10 Helical.....	10
25	00-917986-00005	Seal - Side Cover.....	2
26	00-917986-00006	Seal - Side Cover.....	1
27	00-917638	Cover.....	1
28	SC-120-61	Mach. Screw M4 x 0.7 x 10mm Slotted Cheese Hd.....	9
29	00-917986-00006	Seal - Side Cover.....	1
30	00-917473	Apron - Front.....	1
31	SC-121-53	Mach. Screw M6 x 1.0 x 10mm Slotted Truss Hd. (SST).....	4

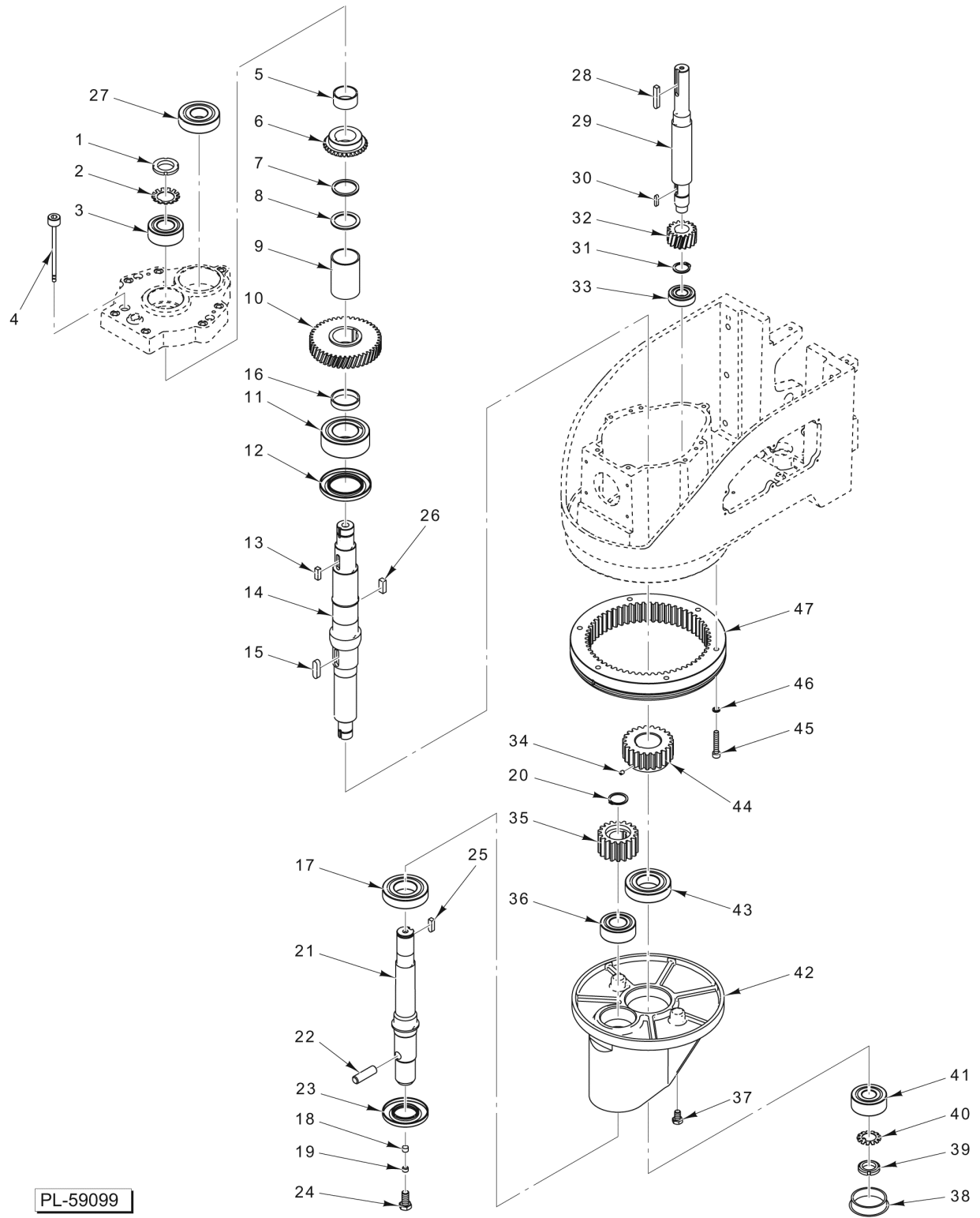


PL-59098

TRANSMISSION CASE AND MOTOR

TRANSMISSION CASE AND MOTOR

ILLUS. PL-59098	PART NO.	NAME OF PART	AMT.
1	00-873921	Belt.....	1
2	SC-117-33	Set Screw M8 x 1.25 x 12mm Hex Hdls., Cup Pt.....	2
3	SC-121-57	Cap Screw M8 x 1.25 x 10mm Hex Socket Hd. (SST).....	1
4	00-874345-00006	Washer (Special).....	1
5	00-917521	Sheave - Driven.....	1
6	00-917595-00002	Dowel.....	2
7	SC-120-59	Cap Screw M8 x 1.25 x 20mm Hex Hd.....	4
8	WL-019-70	Lockwasher M8 Helical.....	4
9	WS-030-66	Washer 8.4 mm.....	4
10	00-012430-00163	Key 1/4 x 1/4 x 1-3/4.....	1
11	00-917676	Motor - 3 Hp.....	1
12	SC-123-17	Cap Screw M10 x 1.50 x 30mm Hex Hd.....	4
13	00-917471	Plate - Motor Mounting.....	1
14	WS-031-64	Washer.....	4
15	WL-019-89	Lockwasher M10 Helical (SST).....	4
16	NS-047-52	Nut M10 Hex.....	4
17	SC-041-42	Cap Screw 1/2-20 x 1 Hex Hd. (SST).....	1
18	WS-021-21	Washer.....	1
19	00-917420-00002	Cover - Transmission.....	1
20	WL-020-13	Lockwasher M8 Helical.....	7
21	SC-117-17	Cap Screw M8 x 1.25 x 45mm Hex Socket Hd.....	7
22	SC-117-33	Set Screw M8 x 1.25 x 12mm Hex Hdls., Cup Pt.....	1
23	00-917520	Sheave - Driven.....	1
24	00-874345-00004	Washer - Special.....	1
25	00-874345-00003	Washer - Special.....	1
26	SC-128-16	Mach. Screw M6 x 1 x 12mm Phil. Pan Hd.....	1

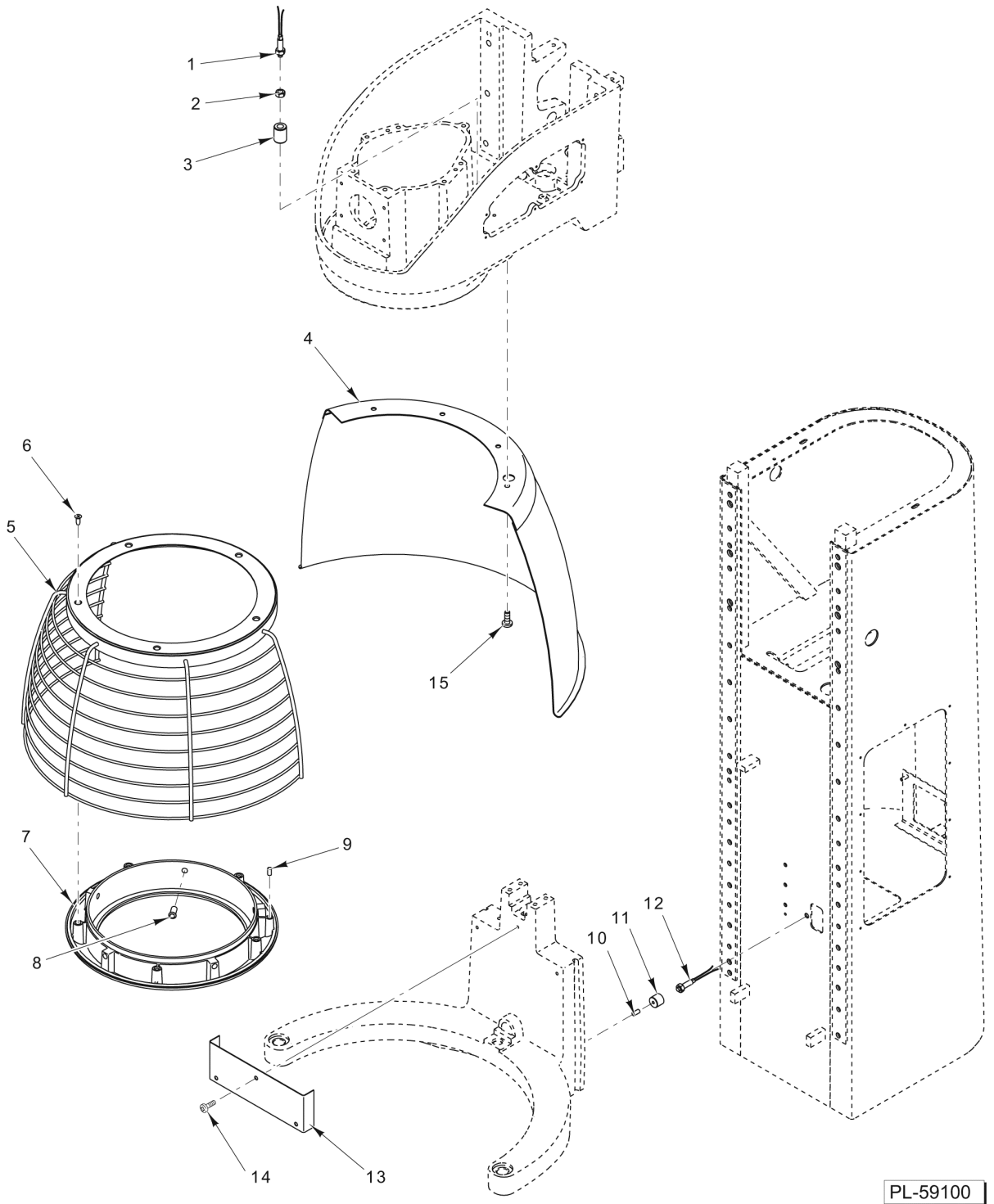


PL-59099

TRANSMISSION

TRANSMISSION

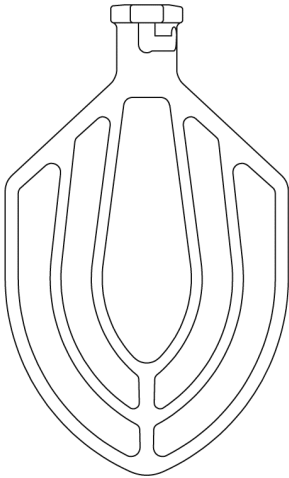
ILLUS. PL-59099	PART NO.	NAME OF PART	AMT.
1	NS-049-23	Lock Nut M30 x 1.5 BRG.....	1
2	WL-020-18	Lockwasher 30mm x 49mm BRG.....	1
3	BB-021-35	Ball Bearing.....	1
4	00-917875	Dipstick.....	1
5	00-917508-00002	Spacer - Tubing Top.....	1
6	00-917507	Gear - Attachment Hub Bevel.....	1
7	00-874384	Spacer - Gear.....	1
8	00-874283-00005	Shim - Gear (0.090 Thk.).....	1
9	00-917508-00001	Spacer - Tubing Middle.....	1
10	00-917506	Gear - Planetary Shaft.....	1
11	BB-009-30	Ball Bearing - SKF #5209.....	1
12	00-873939	Seal.....	1
13	00-917496-00015	Key - Metric.....	1
14	00-917423	Shaft - Planetary.....	1
15	00-917496-00008	Key - Metric.....	1
16	00-917508-00003	Spacer - Lower Tubing.....	1
17	BB-007-01	Ball Bearing - SKF #6208Z.....	1
18	SC-130-74	Set Screw M10 x 1.50 x 12mm Hex Hdls., Cone Pt.....	1
19	SC-130-72	Set Screw M10 x 1.50 x 8mm Hex Hdls., Flat Pt.....	1
20	RR-012-41	Retaining Ring.....	1
21	00-917422	Shaft - Beater.....	1
22	00-917613	Pin - Agitator Shaft.....	1
23	00-292288	Seal.....	1
24	SC-130-76	Cap Screw M12 x 1.75 x 25mm Hex Hd.....	1
25	00-917496-00007	Key - Metric.....	1
26	00-917496-00010	Key - Metric.....	1
27	BB-006-36	Ball Bearing.....	1
28	00-917496-00016	Key - Metric.....	1
29	00-917517	Shaft - Input.....	1
30	00-917496-00013	Key 5mm x 5mm x 22mm.....	1
31	RR-009-07	Retaining Ring.....	1
32	00-917516	Pinion - Input Shaft.....	1
33	BB-007-14	Ball Bearing - MRC #204S.....	1
34	SC-117-36	Set Screw M6 x 1.0 x 8mm Hex Hdls., Cup Pt.....	1
35	00-917501	Pinion - Planetary.....	1
36	BB-021-35	Ball Bearing.....	1
37	SC-131-16	Cap Screw M10 x 1.50 x 12mm Hex Hd. (SST).....	2
38	00-874921	Cover - Weldment.....	1
39	NS-049-22	Lock Nut M25 x 1.5 BRG.....	1
40	WL-020-17	Lockwasher 25mm x 42mm BRG.....	1
41	BB-021-52	Ball Bearing.....	1
42	00-917413-00002	Planetary.....	1
43	BB-007-01	Ball Bearing - SKF #6208Z.....	1
44	00-917503	Gear - Sun.....	1
45	SC-117-17	Cap Screw M8 x 1.25 x 45mm Hex Socket Hd.....	6
46	WL-020-13	Lockwasher M8 Helical.....	6
47	00-917493	Gear - Internal.....	1



BOWL GUARD AND HEIGHT SENSOR

BOWL GUARD AND HEIGHT SENSOR

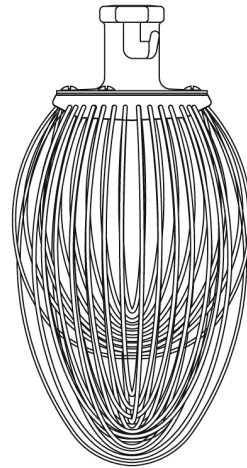
ILLUS.	PART NO.	NAME OF PART	AMT.
PL-59100			
1	00-916902-00003	Switch - Reed.....	1
2	00-917632	Nut - Reed Holder.....	1
3	00-917631	Holder - Reed Switch.....	1
4	00-917727	Guard - Rear Splash.....	1
5	00-917555	Cage Assy. (Incls. Items 6 thru 9).....	1
6	SD-039-48	Self-Tapping Screw M6.3 x 1.8 x 16mm Phil. Flat Hd.....	5
7	00-917414	Ring - Drip.....	1
8	00-917566	Plunger - Ball.....	5
9	00-917185	Magnet.....	1
10	00-917185	Magnet.....	1
11	00-917186	Holder - Magnet.....	1
12	00-916902-00003	Switch - Reed.....	1
13	00-937068	Apron - Inner.....	1
14	SC-121-53	Mach. Screw M6 x 1.0 x 10mm Slotted Truss Hd. (SST).....	3
15	SC-121-53	Mach. Screw M6 x 1.0 x 10mm Slotted Truss Hd. (SST).....	4



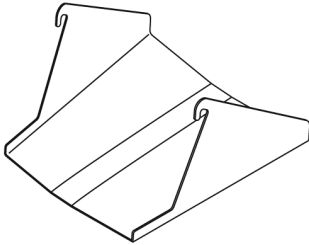
1-2



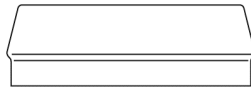
3-4



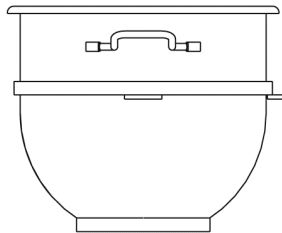
5-6



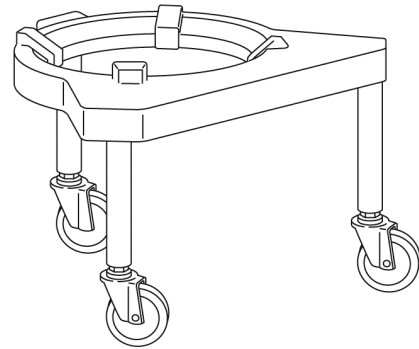
7



10-11



8-9



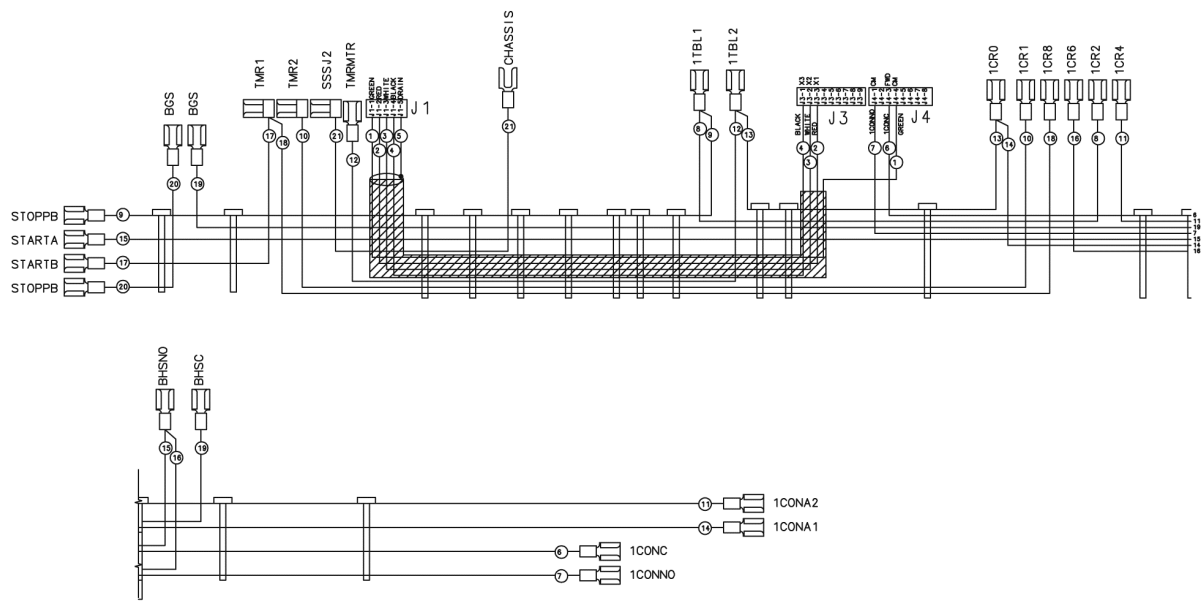
12

PL-59101

AGITATORS AND ACCESSORIES

AGITATORS AND ACCESSORIES

ILLUS.	PART NO.	NAME OF PART	AMT.
PL-59101			
1	00-275885	"B" Flat Beater(Alum.)(Packaged)(60 Qt.).....	1
2	00-275809	"B" Flat Beater(Alum.)(Packaged)(30 Qt.).....	1
3	00-295174	(60 Qt.)"ED" Dough Arm (Alum.) (Packaged).....	1
4	00-275458	"E" Dough Arm(Alum.)(Packaged)(30 Qt.).....	1
5	00-295154	"D" Wire Whip(SST)(Packaged)(60 Qt.).....	1
6	00-439740	"D" Wire Whip(SST)(Packaged)(30 Qt.).....	1
7	00-917800	Ingredient Chute (60 Qt.).....	1
8	00-937105	Bowl Assy. (60 Qt.) (Packaged).....	1
9	00-937110	Bowl Assy. (30 Qt.) (Packaged).....	1
10	00-937126	Splash Cover (60 Qt.) (Packaged).....	1
11	00-917945	Guard - Splash (30 Qt.) (Packaged).....	1
12	00-937104	Truck - Bowl (60 Qt.).....	1
	00-937095	Kit - Bowl Reduction (30 Qt.) (Incls. 3 Qt. Bowl, Beater, Whip, & Dough Hook).....	1



00-917918 Harness - Main

PL-59130

WIRING HARNESES

WIRING HARNESES

ILLUS.	PART NO.	NAME OF PART	AMT.
1	00-917918	Harness - Main.....	1

