



CATALOG OF REPLACEMENT PARTS



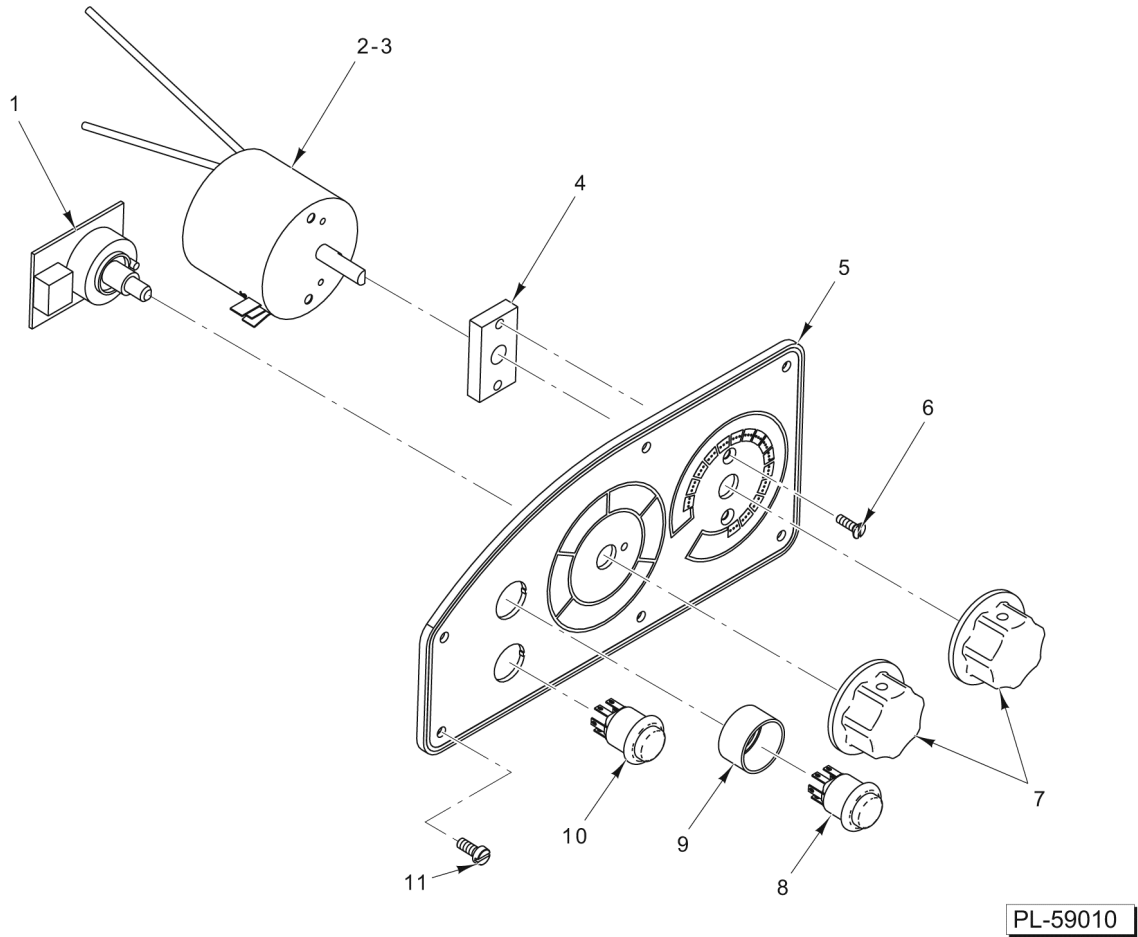
FMS30 MIXER

ML-134462

ML-134463

Table of Contents

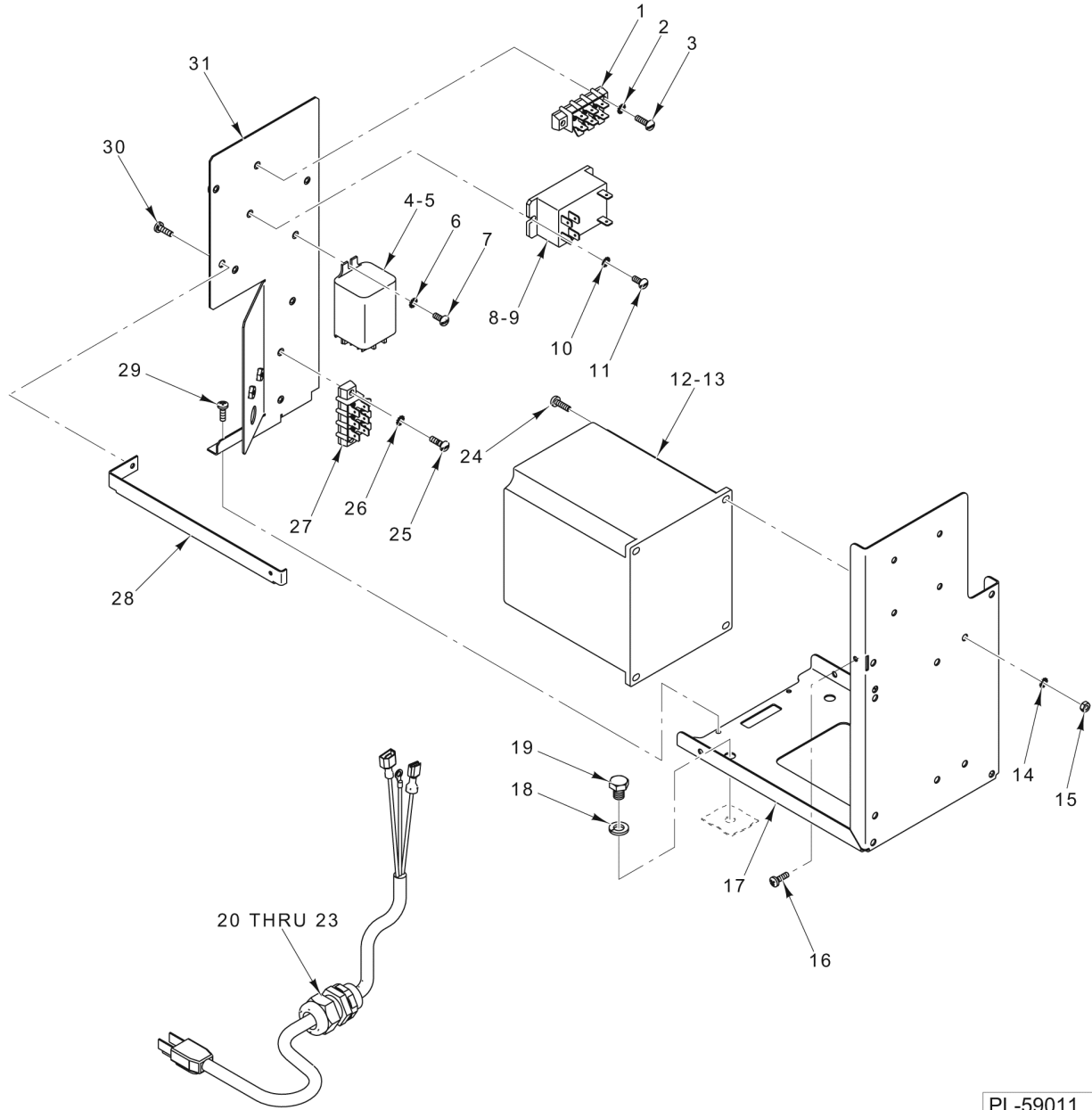
5 CONTROL PANEL
7 ELECTRICAL COMPONENTS
9 ATTACHMENT HUB
11 BASE AND PEDESTAL
13 BOWL SUPPORT
15 TRANSMISSION CASE AND MOTOR
17 TRANSMISSION
19 BOWL GUARD AND HEIGHT SENSOR
21 AGITATORS AND ACCESSORIES
23 WIRE HARNESSSES



CONTROL PANEL

CONTROL PANEL

ILLUS.	PART NO.	NAME OF PART	AMT.
PL-59010			
1	00-917354	PCB Assy. - Speed Select.....	1
2	00-916988-00005	Timer Assy. (90-130 V., 60 Hz.).....	1
3	00-916988-00006	Timer Assy. (180-250 V., 60 Hz.).....	1
4	00-916938	Spacer - Timer.....	1
5	00-917442	Panel - Operator (Red).....	1
6	SC-022-72	Mach. Screw 5-40 x 7/16 Slotted Flat Hd.....	2
7	00-917141	Knob - Control.....	2
8	00-917447	Switch - Start.....	1
9	00-917446	Guard - Switch.....	1
10	00-917448	Switch Assy. - Stop.....	1
11	SC-120-61	Mach. Screw M4 x 0.7 x 10mm Slotted Cheese Hd.....	6

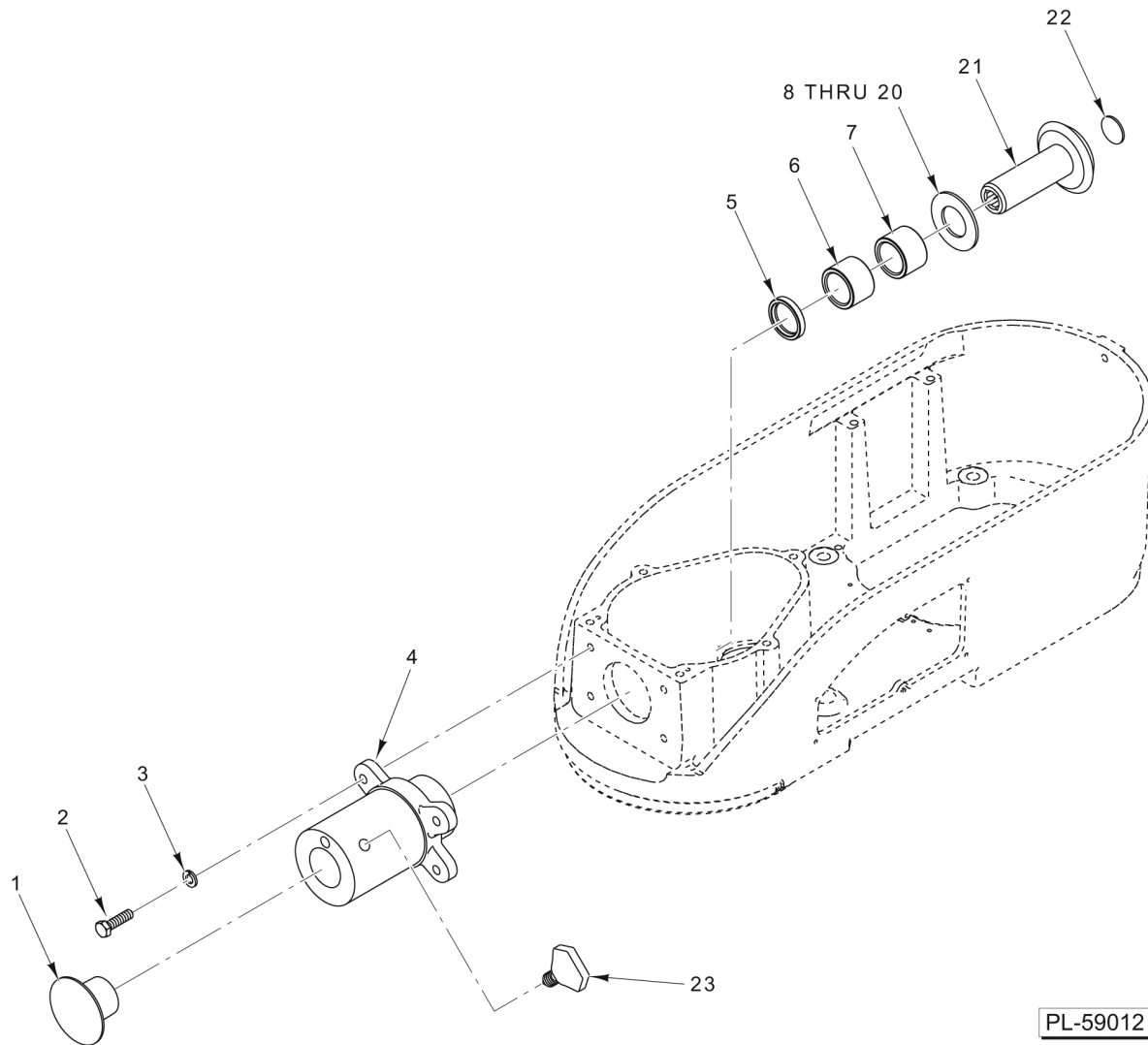


PL-59011

ELECTRICAL COMPONENTS

ELECTRICAL COMPONENTS

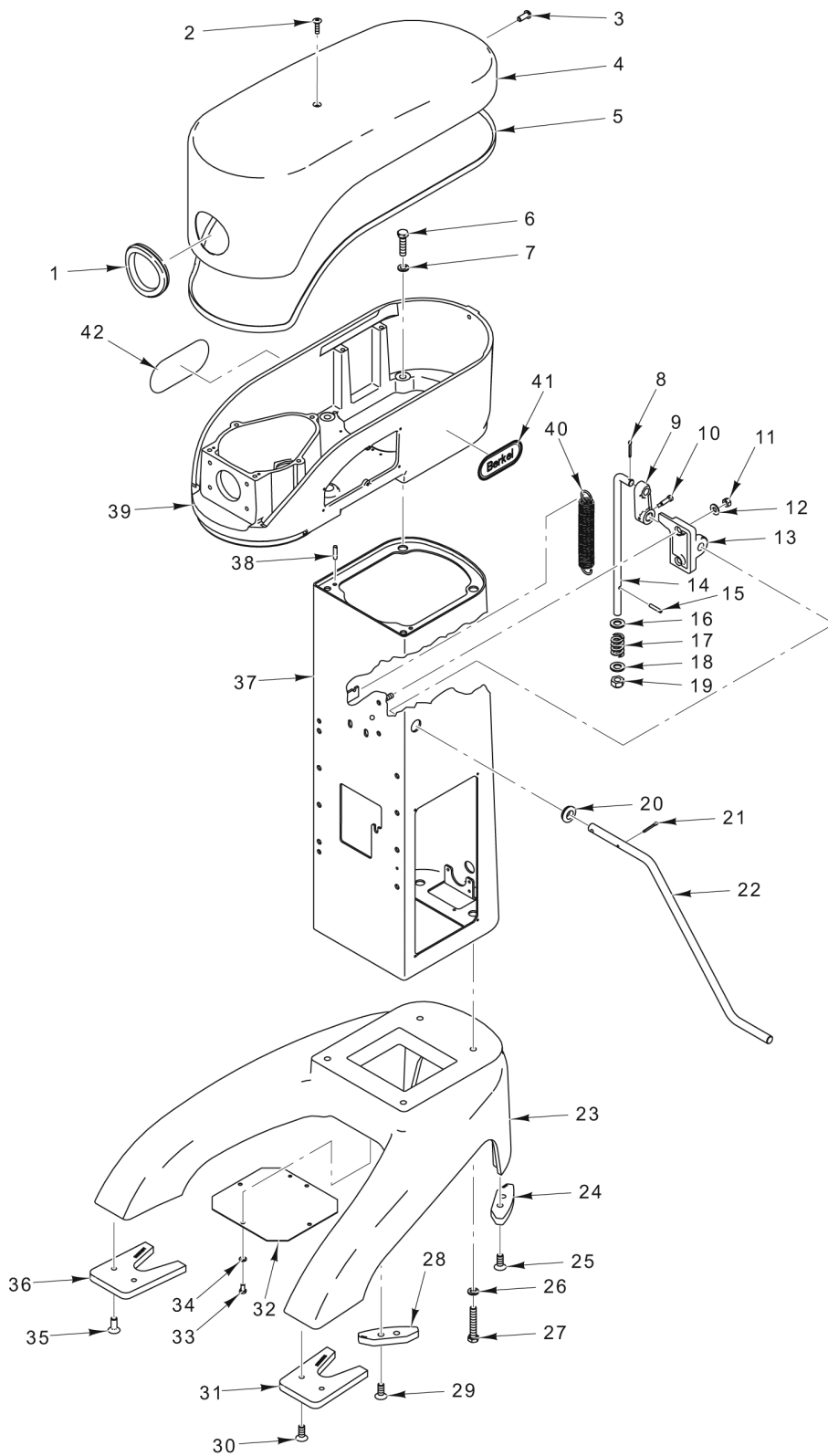
ILLUS. PL-59011	PART NO.	NAME OF PART	AMT.
1	00-916269	Block - Terminal.....	1
2	WL-019-81	Lockwasher M4 External (SST).....	2
3	SC-118-29	Mach. Screw M4 x 0.7 x 15mm Slotted Pan Hd. (SST).....	2
4	00-087714-020-2	Relay (3.P.D.T.) (120 V.).....	1
5	00-087714-020-3	Relay (3.P.D.T.) (240 V.).....	1
6	WL-019-81	Lockwasher M4 External (SST).....	2
7	SC-200-02	Mach. Screw M4 x 0.7 x 10mm Slotted Pan Hd. (SST).....	2
8	00-087714-042-1	Relay (2-Pole) (120 VAC) (30 Amp.).....	1
9	00-087714-042-3	Relay (2-Pole) (240 VAC).....	1
10	WL-019-81	Lockwasher M4 External (SST).....	2
11	SC-200-02	Mach. Screw M4 x 0.7 x 10mm Slotted Pan Hd. (SST).....	2
12	00-917539	Controller (100-120 V., 50-60 Hz., 1 Ph.).....	1
13	00-917540-00001	Controller (200-240 V., 50-60 Hz., 1 Ph.).....	1
14	WL-019-81	Lockwasher M4 External (SST).....	4
15	NS-047-24	Nut M4 x 0.7 Hex.....	4
16	SD-039-50	Self-Tapping Screw M3.9 x 13 Phil. Pan Hd. (SST).....	1
17	00-917472	Plate - Controller Mounting.....	1
18	WL-019-74	Lockwasher M8 Spring (SST).....	1
19	SC-121-57	Cap Screw M8 x 1.25 x 10mm Hex Socket Hd. (SST).....	1
20	FE-024-88	Lock Nut 1/2 Electrical.....	1
21	FE-022-84	Connector - Strain Relief.....	1
22	00-916909-00014	Cord & Plug Assy. (125 V.).....	1
23	00-916909-00015	Cord & Plug Assy. (250 V.).....	1
24	SC-128-14	Mach. Screw M4 x 0.7 x 14mm Phil. Pan Hd.....	1
25	SC-118-29	Mach. Screw M4 x 0.7 x 15mm Slotted Pan Hd. (SST).....	1
26	WL-019-81	Lockwasher M4 External (SST).....	1
27	00-916269	Block - Terminal.....	1
28	00-917830	Brace - Controller Plate.....	1
29	SD-039-50	Self-Tapping Screw M3.9 x 13 Phil. Pan Hd. (SST).....	1
30	SD-039-50	Self-Tapping Screw M3.9 x 13 Phil. Pan Hd. (SST).....	1
31	00-917764	Plate - Controller Mounting.....	1



ATTACHMENT HUB

ATTACHMENT HUB

ILLUS.	PART NO.	NAME OF PART	AMT.
PL-59012			
1	00-917322	Plug - Attachment (Black).....	1
2	SC-130-77	Cap Screw M8 x 1.25 x 30mm Hex Hd.....	4
3	WL-019-74	Lockwasher M8 Spring (SST).....	4
4	00-917430	Hub - Attachment.....	1
5	00-917435	Seal - Attachment Hub.....	1
6	BN-002-04	Needle Bearing.....	1
7	BN-002-04	Needle Bearing.....	1
8	00-070045-00001	Washer - Thrust (0.125 Thk.).....	AR
9	00-070045-00002	Washer - Thrust (0.119 Thk.).....	AR
10	00-070045-00003	Washer - Thrust (0.121 Thk.).....	AR
11	00-070045-00004	Washer - Thrust (0.123 Thk.).....	AR
12	00-070045-00005	Washer - Thrust (0.127 Thk.).....	AR
13	00-070045-00006	Washer - Thrust (0.129 Thk.).....	AR
14	00-070045-00007	Washer - Thrust (0.100 Thk.).....	AR
15	00-070045-00008	Washer - Thrust (0.090 Thk.).....	AR
16	00-070045-00009	Washer - Thrust (0.131 Thk.).....	AR
17	00-070045-00010	Washer - Thrust (0.133 Thk.).....	AR
18	00-070045-00011	Washer - Thrust (0.136 Thk.).....	AR
19	00-070045-00012	Washer - Thrust (0.139 Thk.).....	AR
20	00-070045-00013	Washer - Thrust (0.116 Thk.).....	AR
21	00-070025	Gear - Attachment Drive.....	1
22	PL-003-17	Plug - Expansion.....	1
23	00-108197-00001	Thumb Screw 1-1/4.....	1

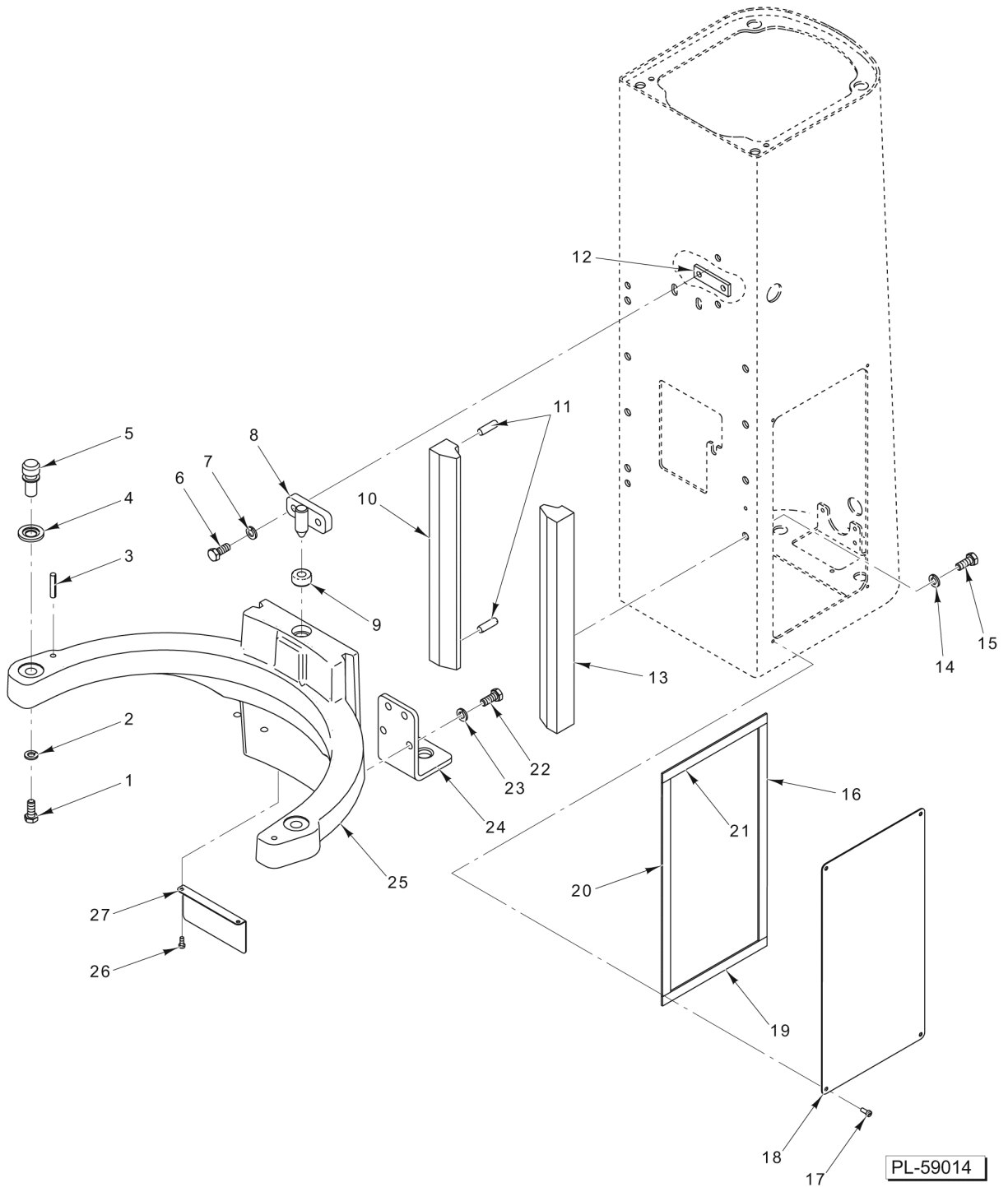


PL-59013

BASE AND PEDESTAL

BASE AND PEDESTAL

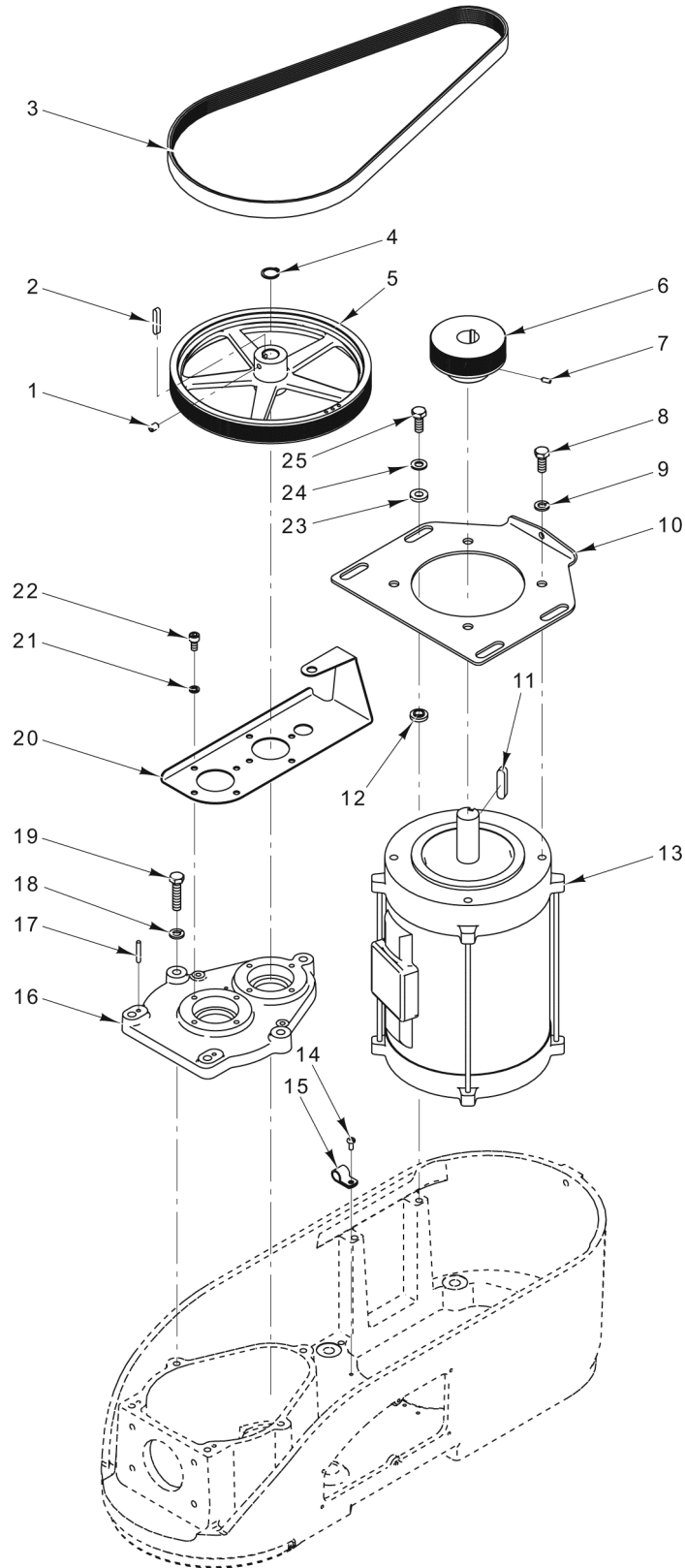
ILLUS.	PART NO.	NAME OF PART	AMT.
PL-59013			
1	00-917128	Grommet - Attachment Hub.....	1
2	SC-120-29	Mach. Screw 1/4-20 x 1 Phil. Oval Hd.....	1
3	SC-130-88	Mach. Screw M8 x 1.25 x 20mm Phil. Button Hd. (SST).....	1
4	00-917118	Cover - Top (With Hub).....	1
5	00-874925-00007	Seal - Neoprene.....	1
6	SC-124-61	Cap Screw M10 x 1.50 x 40mm Hex Hd.....	4
7	WL-019-89	Lockwasher M10 Helical (SST).....	4
8	PC-003-36	Cotter Pin 3/32 x 1 Lg.....	1
9	00-917375	Arm - Bowl Lift.....	1
10	SC-086-01	Shoulder Screw 10-24 x 3/4 Socket Hex Hd.....	1
11	NS-013-14	Nut 5/16-18 Hex.....	2
12	WS-017-16	Washer.....	2
13	00-917612	Bearing - Bowl Lift.....	1
14	00-917373	Rod - Bowl Lift.....	1
15	RP-006-48	Pin - Roll (5mm).....	1
16	WS-031-67	Washer.....	1
17	00-070104	Spring - Bowl Lift.....	1
18	WS-031-67	Washer.....	1
19	NS-049-24	Lock Nut M12 x 1.75 Hex.....	1
20	00-916876	Grommet.....	1
21	PC-003-36	Cotter Pin 3/32 x 1 Lg.....	1
22	00-917376	Handle - Bowl Lift.....	1
23	00-917290	Base.....	1
24	00-917166	Pad - Rear.....	1
25	SC-130-86	Mach. Screw M10 x 1.5 x 25mm Hex Flat Hd.....	2
26	WL-019-89	Lockwasher M10 Helical (SST).....	4
27	SC-127-78	Cap Screw M10 x 1.5 x 60mm Hex Hd. (SST).....	4
28	00-917166	Pad - Rear.....	1
29	SC-130-86	Mach. Screw M10 x 1.5 x 25mm Hex Flat Hd.....	2
30	SC-130-86	Mach. Screw M10 x 1.5 x 25mm Hex Flat Hd.....	2
31	00-917391	Pad - Front (Right).....	1
32	00-917691	Plate - Bottom Cover.....	1
33	SC-118-58	Cap Screw M6 x 1.0 x 12mm Hex Hd. (SST).....	4
34	WL-019-48	Lockwasher M6 Helical (SST).....	4
35	SC-130-86	Mach. Screw M10 x 1.5 x 25mm Hex Flat Hd.....	2
36	00-917390	Pad - Front (Left).....	1
37	00-917288	Pedestal.....	1
38	00-917595-00002	Dowel.....	2
39	00-917292	Transmission.....	1
40	00-916463	Spring - Bowl Lift.....	1
41	00-916992	Logo (Berkel).....	1
42	00-917341	Logo - Berkel (Large).....	1



BOWL SUPPORT

BOWL SUPPORT

ILLUS. PL-59014	PART NO.	NAME OF PART	AMT.
1	SC-120-59	Cap Screw M8 x 1.25 x 20mm Hex Hd.....	2
2	WL-019-74	Lockwasher M8 Spring (SST).....	2
3	PG-011-44	Pin - Grooved (6mm).....	2
4	00-917180	Bushing - Bowl Support.....	2
5	00-917388	Pin - Bowl Mounting.....	2
6	SC-120-59	Cap Screw M8 x 1.25 x 20mm Hex Hd.....	2
7	WL-019-74	Lockwasher M8 Spring (SST).....	2
8	00-917660	Pin - Weldment Latch.....	1
9	00-917652	Rest - Bowl.....	1
10	00-917299	Slideway - Bowl Lift.....	1
11	00-917595-00004	Dowel.....	2
12	00-917654	Retainer.....	2
13	00-917299	Slideway - Bowl Lift.....	1
14	WL-019-74	Lockwasher M8 Spring (SST).....	8
15	SC-120-59	Cap Screw M8 x 1.25 x 20mm Hex Hd.....	8
16	00-917986-00001	Seal - Side Cover.....	1
17	SC-120-61	Mach. Screw M4 x 0.7 x 10mm Slotted Cheese Hd.....	4
18	00-917309	Cover.....	1
19	00-917986-00002	Seal - Side Cover.....	1
20	00-917986-00001	Seal - Side Cover.....	1
21	00-917986-00002	Seal - Side Cover.....	1
22	SC-120-59	Cap Screw M8 x 1.25 x 20mm Hex Hd.....	4
23	WL-019-74	Lockwasher M8 Spring (SST).....	4
24	00-917416	Bracket - Bowl Lift Support.....	1
25	00-917285	Support - Bowl.....	1
26	SC-120-61	Mach. Screw M4 x 0.7 x 10mm Slotted Cheese Hd.....	2
27	00-917673	Cover.....	1

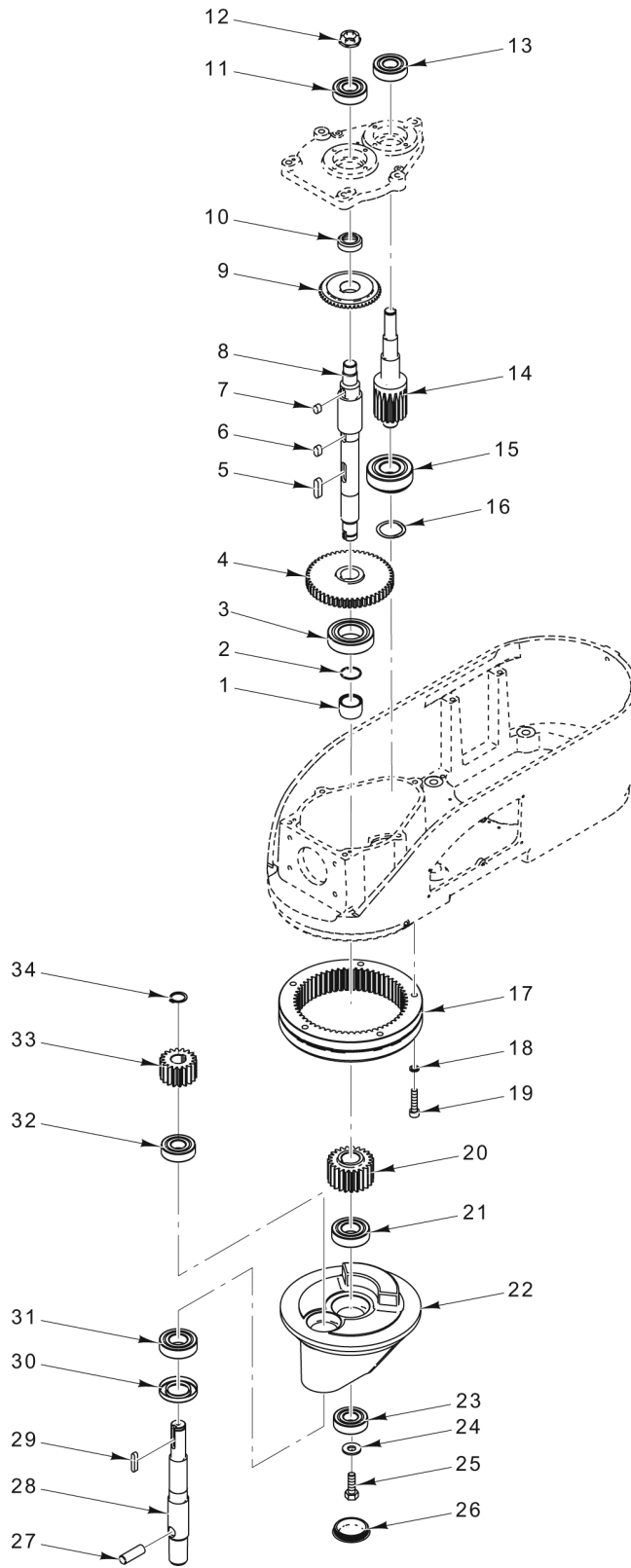


PL-59015

TRANSMISSION CASE AND MOTOR

TRANSMISSION CASE AND MOTOR

ILLUS. PL-59015	PART NO.	NAME OF PART	AMT.
1	SC-047-12	Set Screw 1/4-20 x 3/8 Socket Hds., Knife Cup Pt.....	2
2	00-917496-00001	Key.....	1
3	00-917364	Belt - V Ribbed.....	1
4	RR-012-14	Retaining Ring.....	1
5	00-917370	Pulley - Driven.....	1
6	00-917369	Pulley - Driver.....	1
7	SC-127-76	Set Screw M4 x 0.7 x 10mm Hex Hds., Cone Pt. (SST).....	1
8	SC-120-59	Cap Screw M8 x 1.25 x 20mm Hex Hd.....	4
9	WL-019-74	Lockwasher M8 Spring (SST).....	4
10	00-917366	Bracket - Motor Mounting.....	1
11	00-917496-00002	Key - Metric.....	1
12	00-917410	Isolator.....	4
13	00-917680-00001	Motor (2.5 Hp., 200-400 V., 3 Ph.).....	1
14	SC-200-02	Mach. Screw M4 x 0.7 x 10mm Slotted Pan Hd. (SST).....	1
15	00-078752-00009	Clamp - Cable.....	1
16	00-917360	Cover - Transmission Top.....	1
17	00-917595-00005	Dowel.....	2
18	WL-019-74	Lockwasher M8 Spring (SST).....	5
19	SC-130-78	Cap Screw M8 x 1.25 x 35mm Hex Socket Hd.....	5
20	00-917624	Bracket - Top Cover Mounting.....	1
21	WL-020-12	Lockwasher M6 Spring.....	8
22	SC-117-25	Cap Screw M6 x 1.0 x 12mm Hex Socket Hd.....	8
23	00-917410	Isolator.....	4
24	WS-030-44	Washer (SST).....	4
25	SC-120-59	Cap Screw M8 x 1.25 x 20mm Hex Hd.....	4

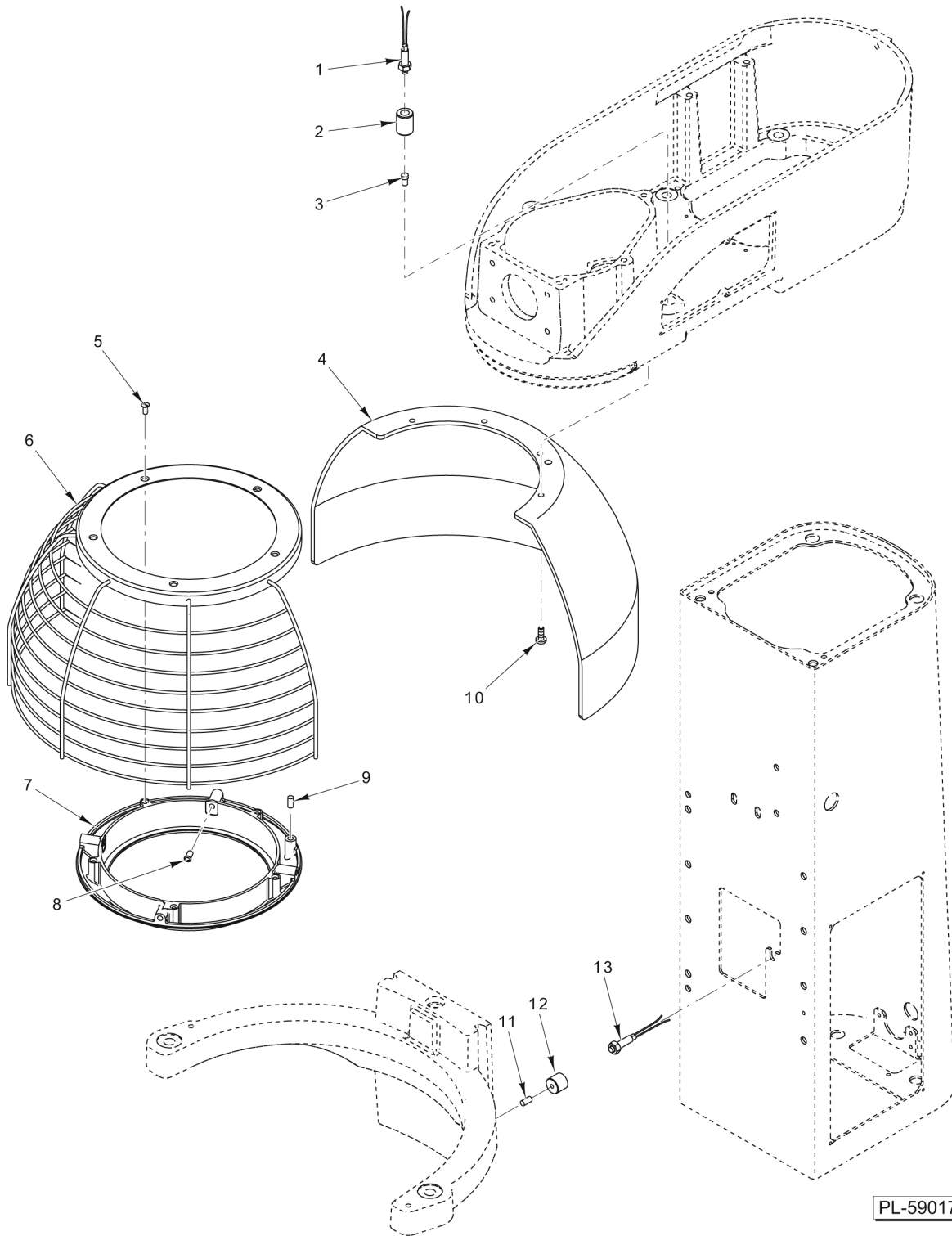


PL-59016

TRANSMISSION

TRANSMISSION

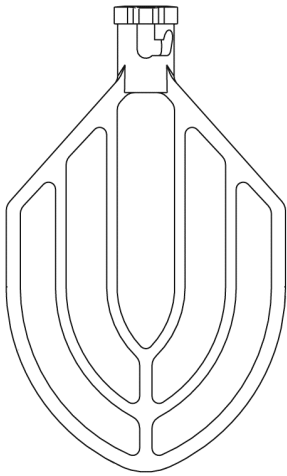
ILLUS.	PART NO.	NAME OF PART	AMT.
1	00-916663	Spacer - Lower Planetary.....	1
2	00-110334	Seal - Planetary.....	1
3	BB-015-08	Bearing - Ball.....	1
4	00-917498	Gear - Helical.....	1
5	00-917496-00006	Key - Metric.....	1
6	00-917496-00005	Key - Metric.....	1
7	00-917496-00003	Key - Metric.....	1
8	00-917356	Shaft - Sun.....	1
9	00-070020-00002	Gear - Bevel (46T).....	1
10	00-917368	Spacer - Upper Planetary.....	1
11	BB-005-34	Bearing - Ball.....	1
12	NS-032-32	Stop Nut 3/4-16 (LH Thread) Flexloc.....	1
13	BB-020-06	Ball Bearing (Fafnir 204KDFA51580).....	1
14	00-917361	Shaft - Worm Gear.....	1
15	BB-020-06	Ball Bearing (Fafnir 204KDFA51580).....	1
16	SL-005-04	Spring - Loading.....	1
17	00-917405	Gear - Internal.....	1
18	WL-020-13	Lockwasher M8 Helical.....	5
19	SC-117-19	Cap Screw M8 x 1.25 x 30mm Hex Socket Hd.....	5
20	00-477413	Gear - Sun.....	1
21	BB-007-52	Bearing - Ball.....	1
22	00-477407-00002	Planetary.....	1
23	BB-005-46	Ball Bearing - Fafnir 204KDDFS50545.....	1
24	WS-030-04	Washer.....	1
25	SC-118-58	Cap Screw M6 x 1.0 x 12mm Hex Hd. (SST).....	1
26	00-917690	Plug - Planetary.....	1
27	00-070019	Pin - Agitator.....	1
28	00-477441	Shaft - Agitator (Incls. Item 27).....	1
29	00-917496-00004	Key - Metric.....	1
30	00-110335	Seal - Agitator Shaft.....	1
31	BB-007-52	Bearing - Ball.....	1
32	BB-005-46	Ball Bearing - Fafnir 204KDDFS50545.....	1
33	00-477412	Gear - Planetary (Beater).....	1
34	RR-012-06	Retaining Ring Din 471.....	1



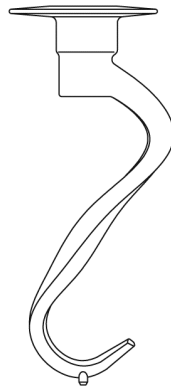
BOWL GUARD AND HEIGHT SENSOR

BOWL GUARD AND HEIGHT SENSOR

ILLUS.	PART NO.	NAME OF PART	AMT.
PL-59017			
1	00-916902-00003	Switch - Reed.....	1
2	00-917184	Holder - Reed Switch.....	1
3	00-917449	Pin - Magnet Bridge.....	1
4	00-917297	Guard - Rear Splash.....	1
5	SC-117-77	Mach. Screw M5 x 0.8 x 12MM Slotted Flat Hd. (SST).....	5
6	00-917338	Cage Assy. (Incls. Items 5, 7, 8, & 9).....	1
7	00-917372	Ring - Drip.....	1
8	00-917056	Plunger - Ball.....	4
9	00-917185	Magnet.....	1
10	SC-130-49	Mach. Screw M6 x 1.0 x 16mm Slotted Flat Hd. (SST).....	4
11	00-917185	Magnet.....	1
12	00-917186	Holder - Magnet.....	1
13	00-916902-00003	Switch - Reed.....	1



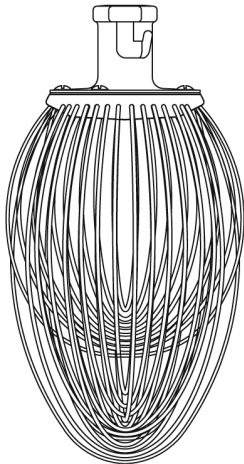
1-2



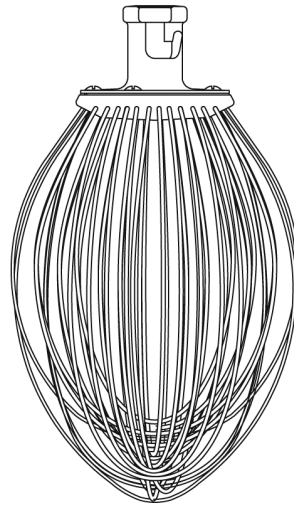
3



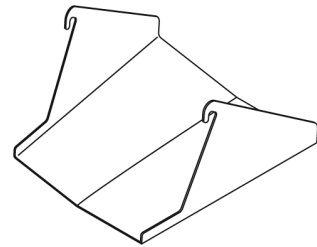
4



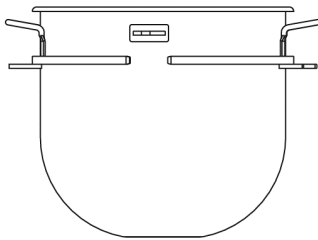
5



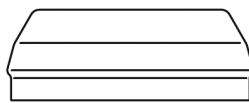
6



7



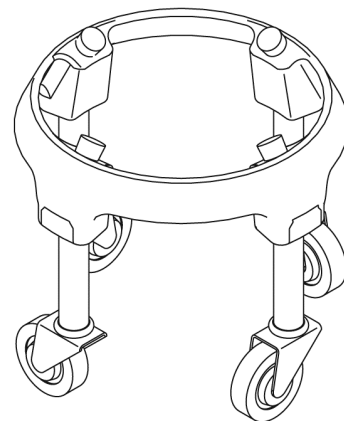
8-9



10



11



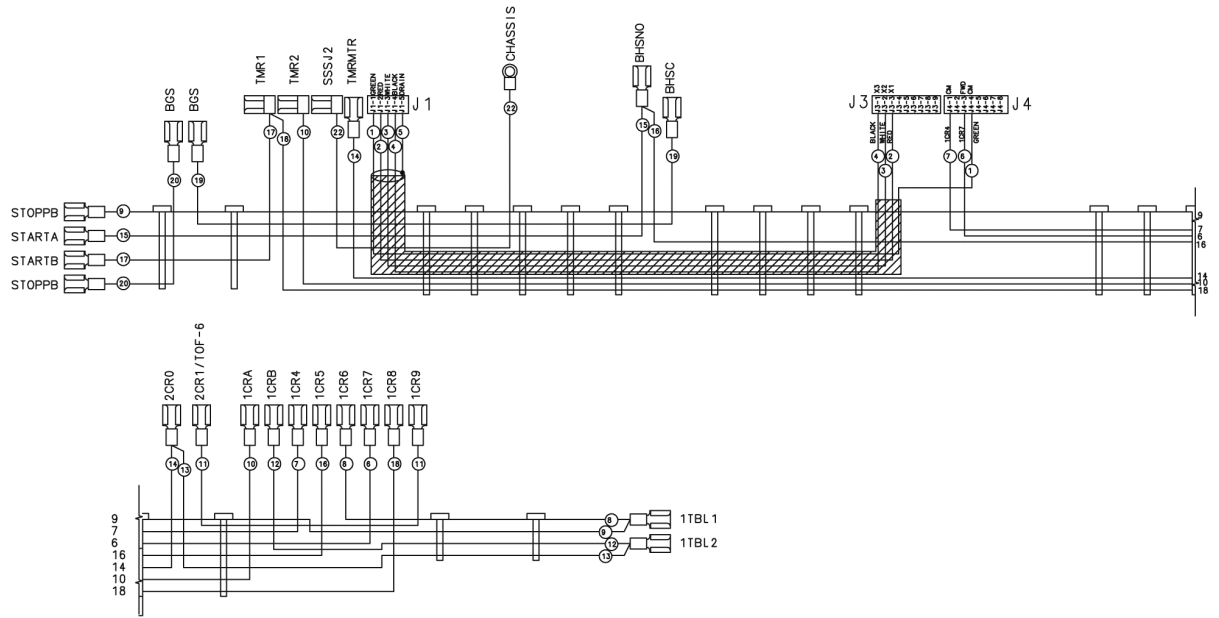
12

PL-59018

AGITATORS AND ACCESSORIES

AGITATORS AND ACCESSORIES

ILLUS.	PART NO.	NAME OF PART	AMT.
PL-59018			
1	00-023641-00003	"B" Beater (30 Qt.).....	1
2	00-023642-00003	"B" Beater (20 Qt.).....	1
3	00-478595-00003	Dough Hook (30 Qt.).....	1
4	00-023500-00002	Dough Hook (20 Qt.).....	1
5	00-295029-00002	Wire Whip (20 Qt.).....	1
6	00-275899-00003	Wire Whip (30 Qt.).....	1
7	00-917735	Ingredient Chute.....	1
8	00-917379	Bowl Assy. (30 Qt.).....	1
9	00-917618	Bowl Assy. (20 Qt.).....	1
10	00-917788	Guard - Splash (20 Qt.) (Packaged).....	1
11	00-917945	Guard - Splash (30 Qt.) (Packaged).....	1
12	00-917946	Dolly - Bowl (30 Qt.) (Packaged).....	1
	00-917947	Kit - Bowl Reduction (20 Qt.) (Incls. 20 Qt. Bowl, Beater, Whip, & Dough Arm).....	1



00-917594 Harness - Main

PL-59047

WIRE HARNESSES

WIRE HARNESSSES

ILLUS.	PART NO.	NAME OF PART	AMT.
1	00-917594	Harness - Main.....	1

