



CATALOG OF REPLACEMENT PARTS

Berkel B9 Slicer

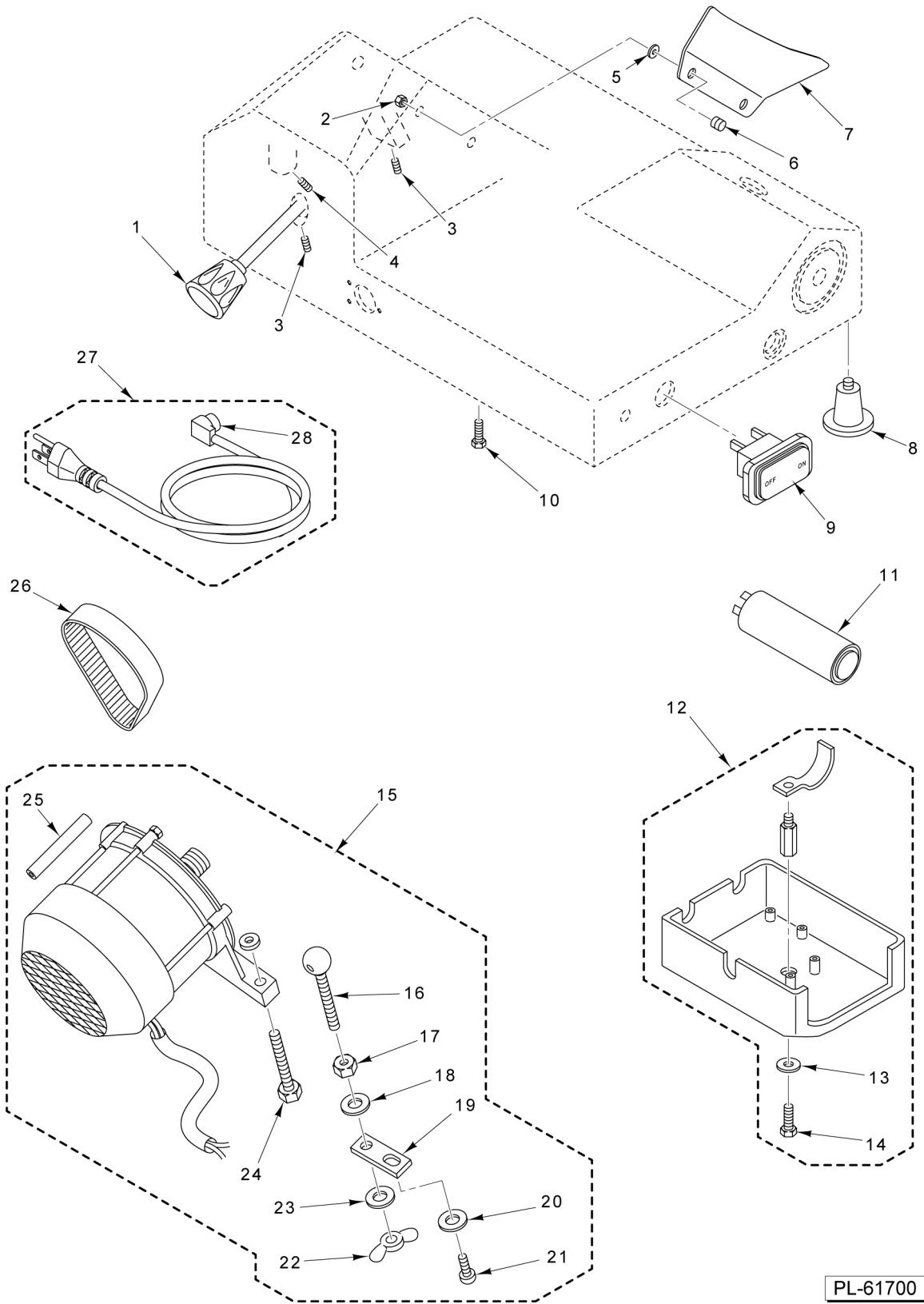


ML-136357

B9

Table of Contents

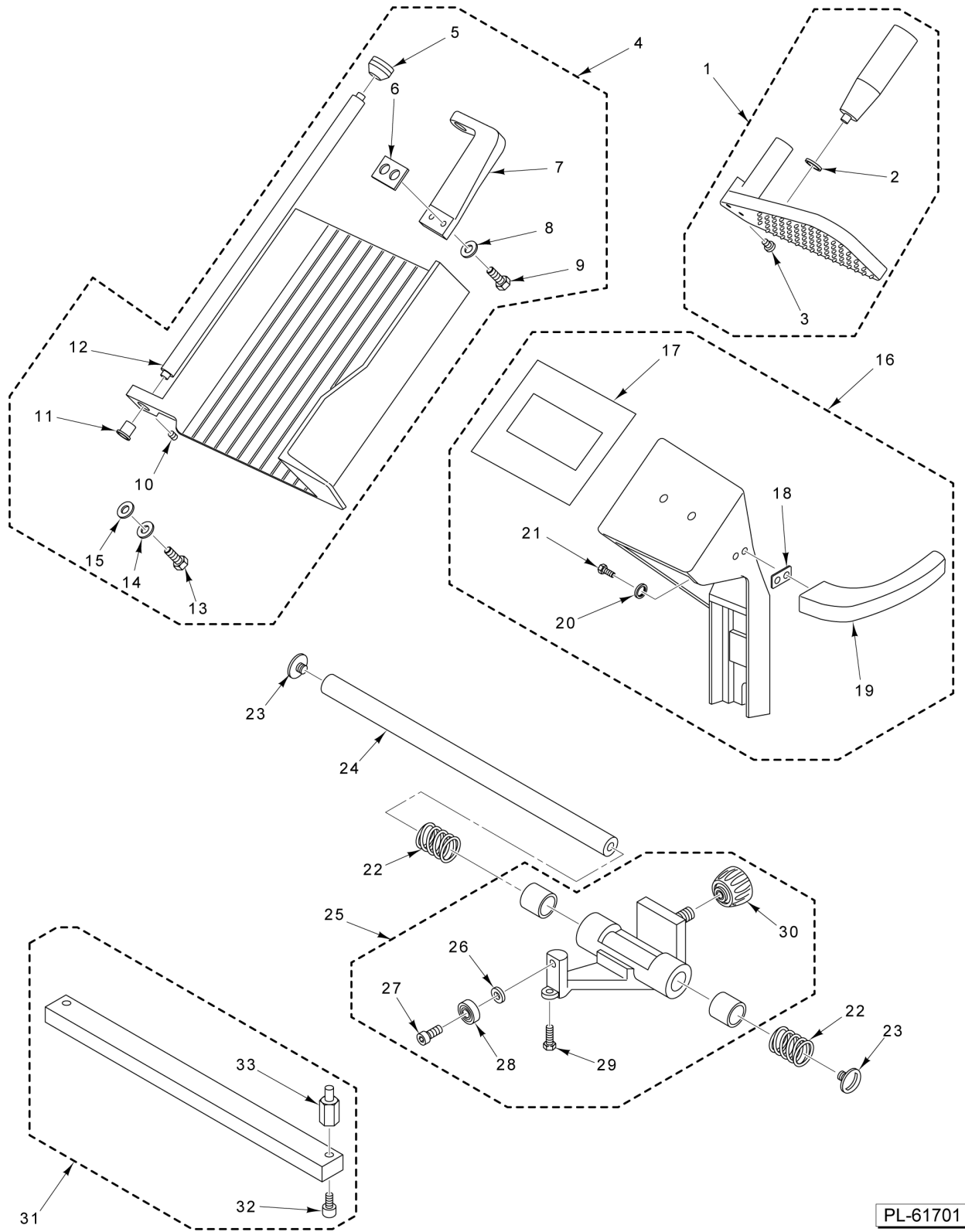
5	ELECTRICAL AND HOUSING
7	MEAT TABLE AND CARRIAGE
9	INDEX ASSEMBLY
11	KNIFE AND GAUGE ASSEMBLY
13	SHARPENER ASSEMBLY



ELECTRICAL AND HOUSING

ELECTRICAL AND HOUSING

ILLUS.	PART NO.	NAME OF PART	AMT.
PL-61700			
1	01-404575-01046	Tie Rod - Center Plate.....	1
2		Nut 5589 6.....	1
3		Set Screw 5912 6 12.....	2
4		Set Screw 5923 6 8.....	1
5	00-937908	Gasket.....	1
6	01-402175-00551	Pin.....	2
7	01-40823E-10001	Deflector - Slicer.....	1
8	01-403275-00250	Foot - Rubber.....	4
9	01-40823E-10103	Switch (On/Off).....	1
10		Screw 5739 5 8.....	1
11	01-402675-00952	Capacitor.....	1
12	00-938824-00015	Kit - Protection Box (Incls. Items 13 & 14).....	1
13		Washer 6593 5 24.....	1
14		Screw 5739 5-10.....	1
15	00-938824-00012	Kit - Motor Assy. (Incls. Items 16 thru 25).....	1
16	01-400825-00053	Tie Rod - Motor.....	1
17		Nut 5588 6.....	1
18		Washer 6592 6 18.....	1
19	01-400825-00055	Plate.....	1
20		Washer 6592 8 24.....	1
21		Screw 5931 8 14.....	1
22		Nut - Wing 5448 6.....	1
23		Washer 6592 6 18.....	1
24		Screw 5739 6 60.....	1
25	01-400825-00060	Pin.....	1
26	01-400825-0066B	Belt (Ribbed Flat Belt).....	1
27	00-938824-00013	Kit - Cord/Plug Assy. (Incls. Item 28).....	1
28	00-938506	Plate - Locking.....	1

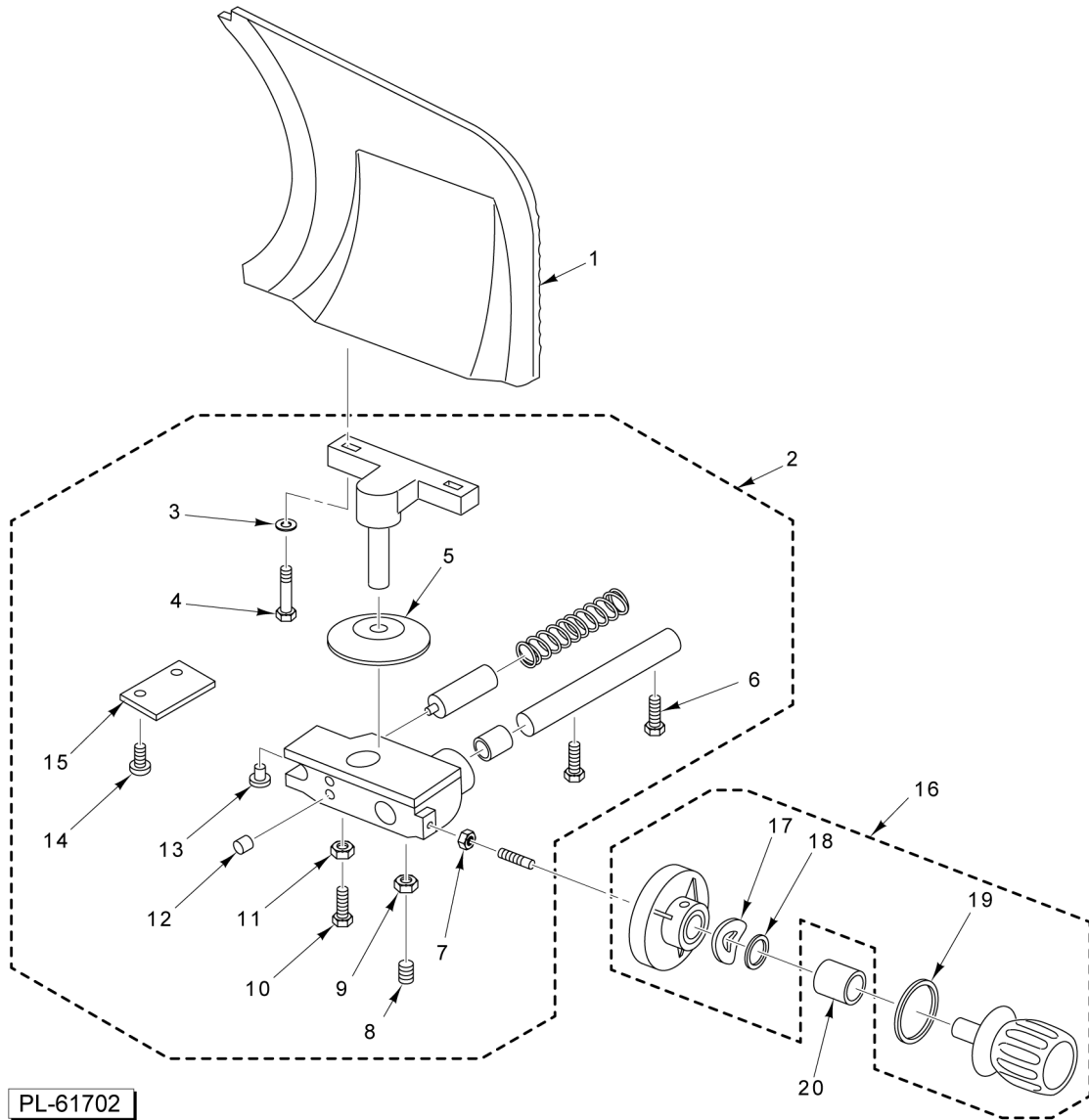


PL-61701

MEAT TABLE AND CARRIAGE

MEAT TABLE AND CARRIAGE

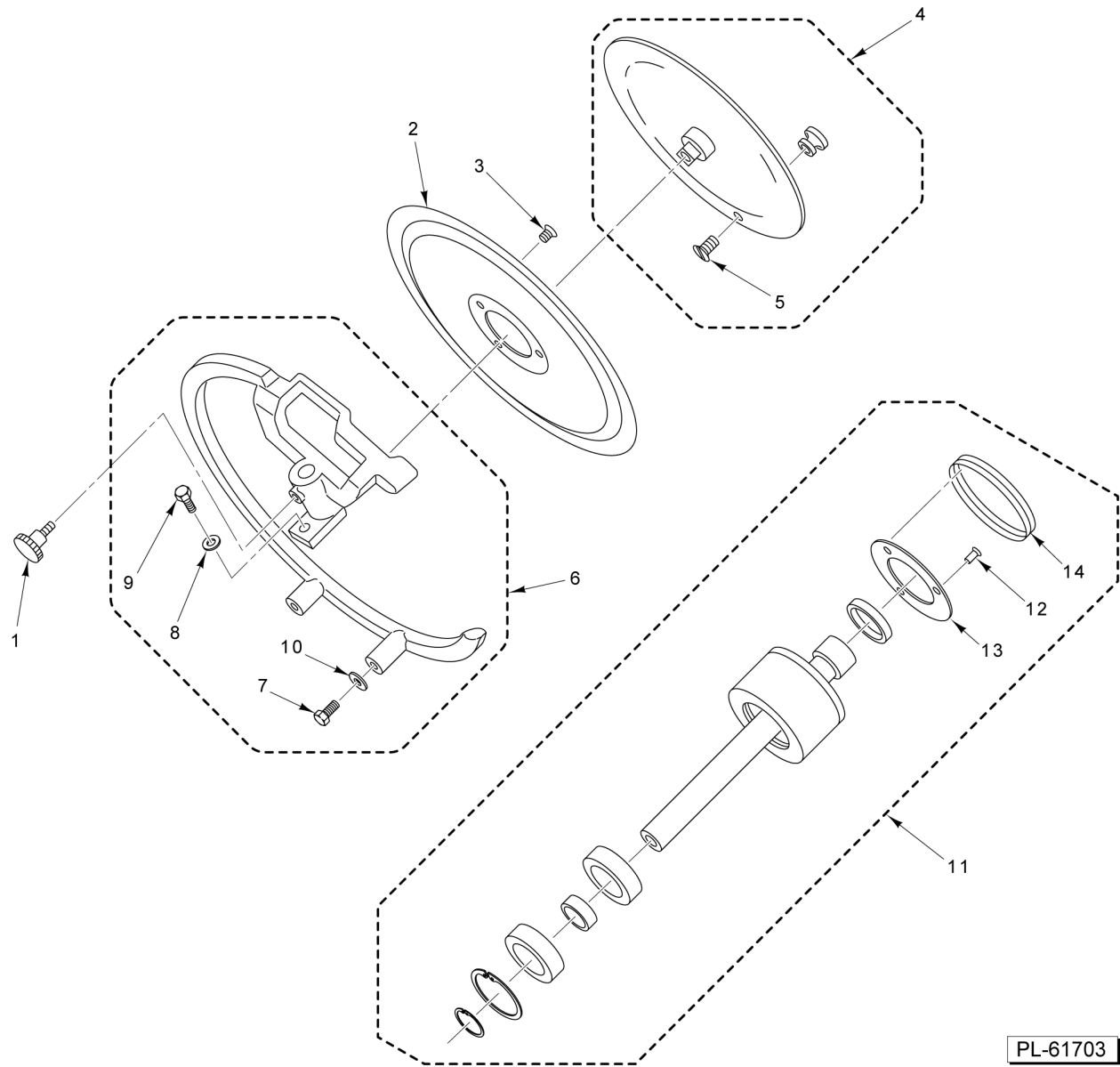
ILLUS. PL-61701	PART NO.	NAME OF PART	AMT.
1	00-938855-00003	Kit - Meat Pusher Assy. (Incls. Items 2 & 3).....	1
2	01-40823E-10004	Gasket - Pusher Handle.....	1
3	01-400827-00082	Retainer.....	1
4	00-938855-00004	Kit - Product Tray Assy. (Incls. Items 5 thru 15).....	1
5	01-042275-00647	Knob (Red).....	1
6	01-40823E-10009	Gasket - Extension.....	1
7	01-403875-00304	Bracket - Extension.....	1
8		Washer 6592 6.....	4
9		Screw 5739 6 18.....	2
10		Set Screw 5923 6 6.....	1
11	01-40823E-10005	Bushing.....	1
12	01-40823E-10006	Rod.....	1
13		Screw 5739 6 14/A2.....	2
14	01-40823E-10015	Washer (Aluminum).....	2
15	01-40823E-10014	Washer - Gasket.....	2
16	00-938824-00006	Kit - Tray Support Assy. (Incls. Items 17 thru 21).....	1
17	01-40823E-10011	Gasket - Tray Support.....	1
18	01-40823E-10016	Gasket - Carriage Handle.....	1
19	01-403875-00303	Handle, Red Carriage.....	1
20		Washer 1751 6.....	2
21		Screw 5739 6 20/A2.....	2
22	01-400825-00020	Spring.....	2
23	01-400825-00050	Screw.....	2
24	01-400823-00013	Rail - Round.....	1
25	00-938824-00008	Kit - Carriage Assy. (Incls. Items 26 thru 30).....	1
26	01-400825-00016	Washer.....	1
27		Screw 5931 6 25.....	1
28	01-400825-00015	Bearing.....	1
29	01-400825-00021	Screw.....	1
30	01-402275-00644	Knob - Carriage.....	1
31	00-938824-00007	Kit - Square Bar Assy. (Incls. Items 32 & 33).....	1
32		Screw 6107 5 12.....	2
33	01-400823-00407	Spacer.....	1



INDEX ASSEMBLY

INDEX ASSEMBLY

ILLUS.	PART NO.	NAME OF PART	AMT.
1	01-403775-00512	Plate - Gauge.....	1
2	00-938824-00009	Kit - Index Assy. (Incls. Items 3 thru 15).....	1
3		Washer 6592 6/A2.....	2
4		Screw 5739 6 30/A2.....	2
5	01-40823E-10024	Boot.....	1
6		Screw 5931 6 25.....	2
7		Nut 5589 6.....	1
8		Set Screw 5923 6 12.....	1
9		Nut 5589 6.....	1
10		Screw 5739 5 16/O.....	1
11		Nut 5589 5.....	1
12		Set Screw 5929 8 10.....	1
13	01-400825-00030	Pin.....	1
14		Screw 6954 5 12.....	2
15	01-403875-00297	Plate.....	1
16	00-938824-00014	Kit - Index Knob (Incls. Items 17 thru 19).....	1
17	01-400825-00095	Washer - Spring.....	1
18		Washer 6592 12 24.....	1
19	01-402275-00637	Washer.....	1
20	01-402275-00653	Bushing.....	1

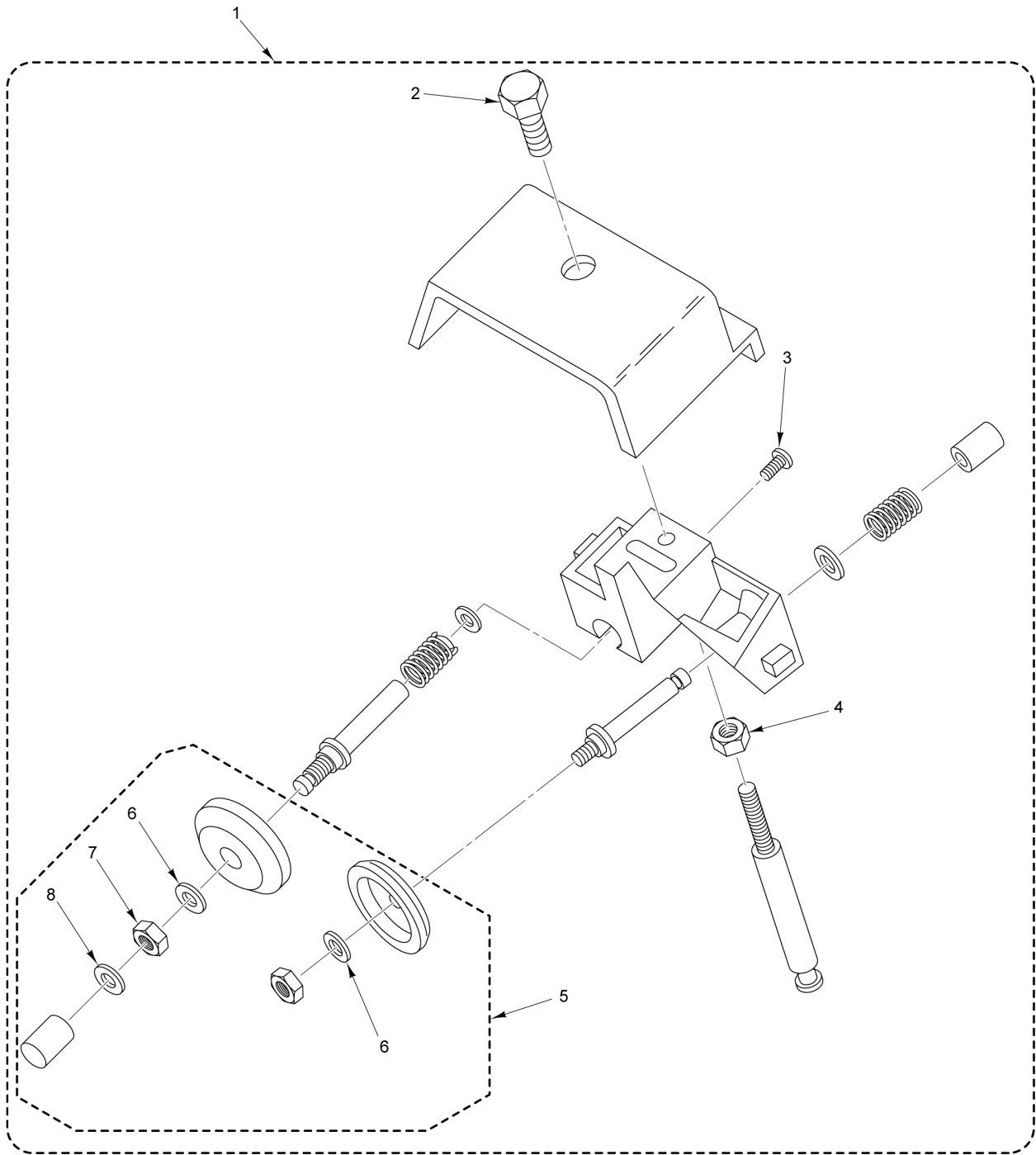


PL-61703

KNIFE AND GAUGE ASSEMBLY

KNIFE AND GAUGE ASSEMBLY

ILLUS.	PART NO.	NAME OF PART	AMT.
PL-61703			
1	01-402275-00648	Knob.....	1
2	01-400823-00073	Knife.....	1
3		Screw 6109 5 12.....	3
4	00-938855-00001	Kit - Blade Cover Assy. (Incls. Item 5).....	1
5		Screw 6109 5 10.....	1
6	00-938855-00002	Kit - Ring Guard Assy. (Incls. Items 7 thru 10).....	1
7		Screw 5739 5 10.....	2
8	01-403301-03812	Washer.....	1
9		Screw 5739 6 20.....	1
10		Washer 6593 5 15.....	2
11	00-938824-00003	Kit - Pulley Assy. (Incls. Items 12 thru 14).....	1
12		Screw 6954 2.9 6.5.....	1
13	01-40823E-10036	Ring.....	1
14	01-40823E-10038	Seal - Rubber.....	1



PL-61704

SHARPENER ASSEMBLY

SHARPENER ASSEMBLY

ILLUS.	PART NO.	NAME OF PART	AMT.
PL-61704			
1	00-938855-00005	Kit - Sharpener Assy. (Incls. Items 2 thru 4).....	1
2	01-400829-00050	Screw.....	1
3		Screw 6109 4 8.....	1
4		Nut 5588 8.....	1
5	00-938815-00011	Kit - Sharpening Stone.....	1
6	01-40330M-00144	Washer.....	2
7		Nut 5589 6.....	2
8		Washer 6592 5.....	1

