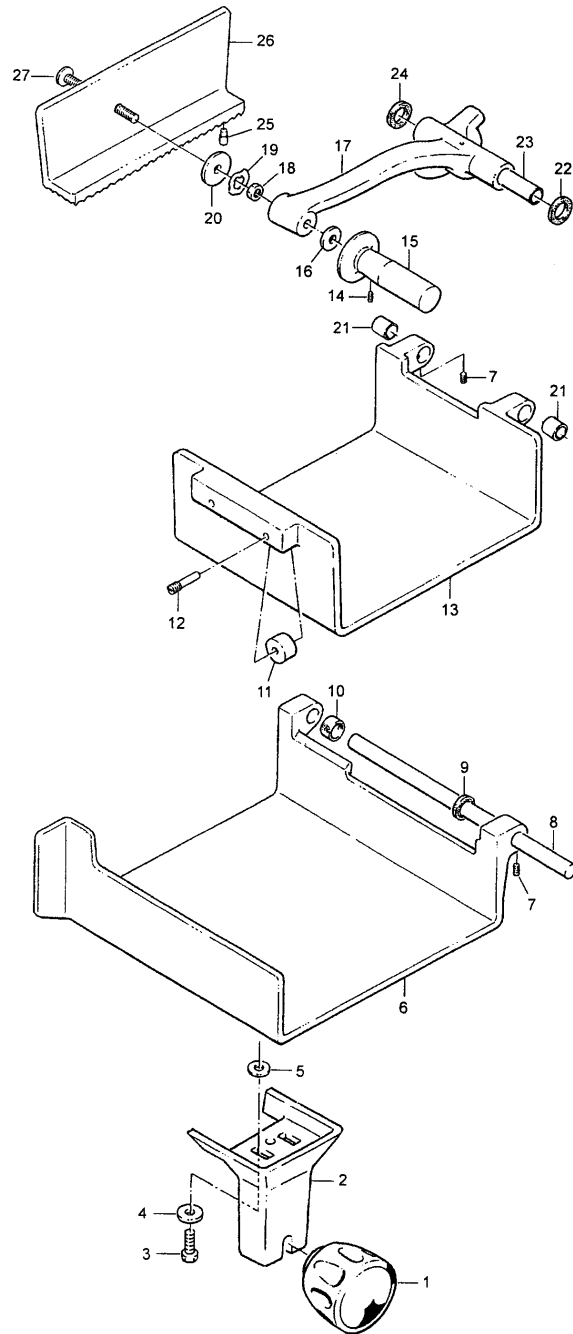


# MODEL

# 850A

## EXPLODED VIEWS AND PARTS LISTS

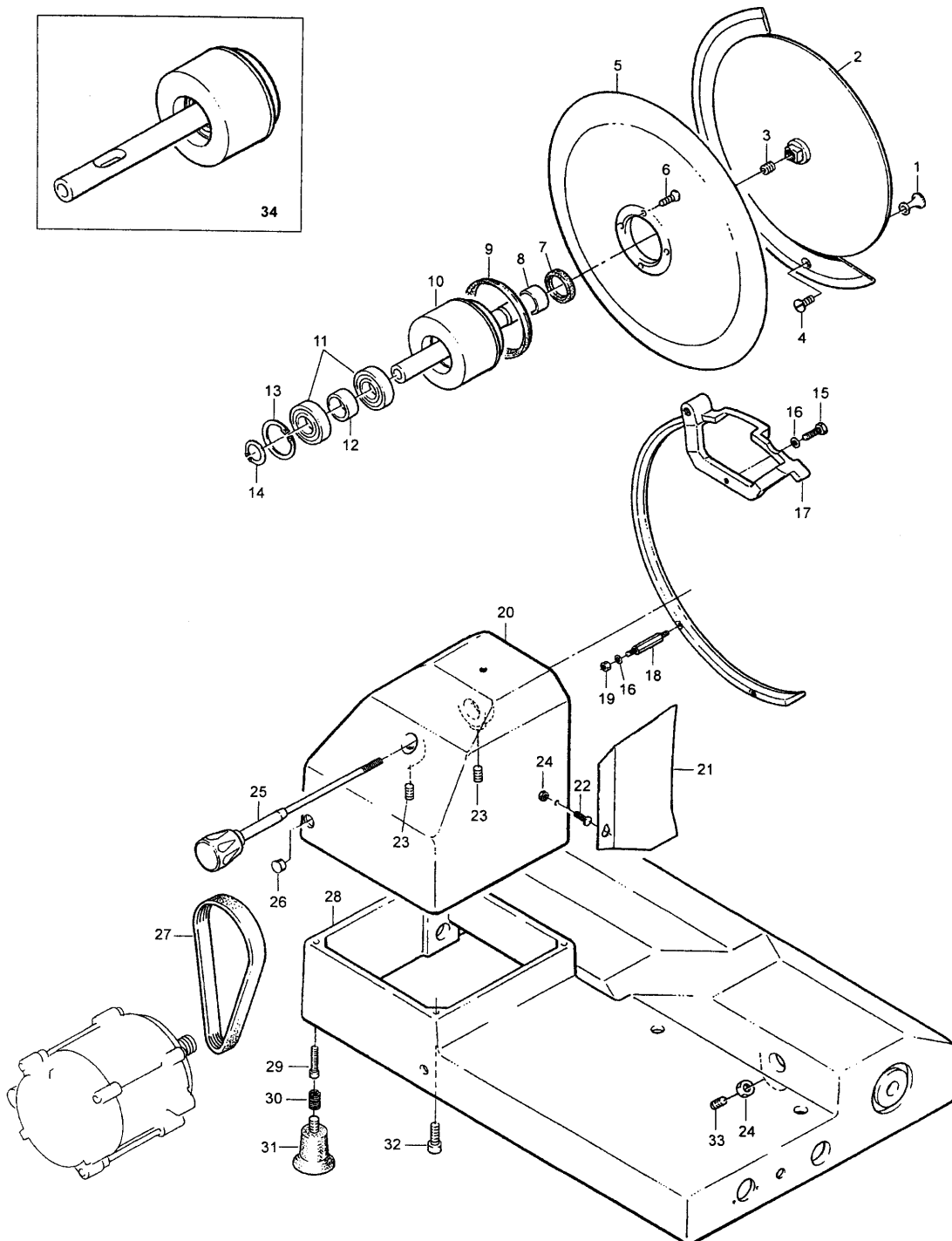
# MEAT TABLE ASSEMBLY



# MEAT TABLE ASSEMBLY

Item	Description	Part Number
1	Knob	<a href="#">827A-00040</a>
2	Meat Table Support	850-00010
3	Screw	<a href="#">825-00122</a>
4	Washer	<a href="#">827-00131</a>
5	Washer	<a href="#">2275-03071</a>
6	Meat Table	850-00013
7	Set Screw	<a href="#">825-00086</a>
8	Shaft	850-00014
9	Plastic Spacer	<a href="#">850-00015</a>
10	Spacer	<a href="#">850-00016</a>
11	Nylon Wheel	<a href="#">850-00017</a>
12	Pin	<a href="#">850-00018</a>
13	Upper Table	850-00019
14	Spring Lock Washer	<a href="#">850-00020</a>
15	Handle	850-00021
16	Nylon Washer	<a href="#">850-00022</a>
17	Arc	<a href="#">850-00023</a>
18	Nut	<a href="#">827-00130</a>
19	Washer	<a href="#">827-00095</a>
20	Nylon Washer	<a href="#">850-00024</a>
21	Bushing	<a href="#">850-00025</a>
22	Nylon Washer	<a href="#">850-00026</a>
23	Tube	850-00027
24	Nylon Washer	<a href="#">850-00028</a>
25	Retainer	850-00029
26	Hand Grip	850-00030
27	Screw	850-00031

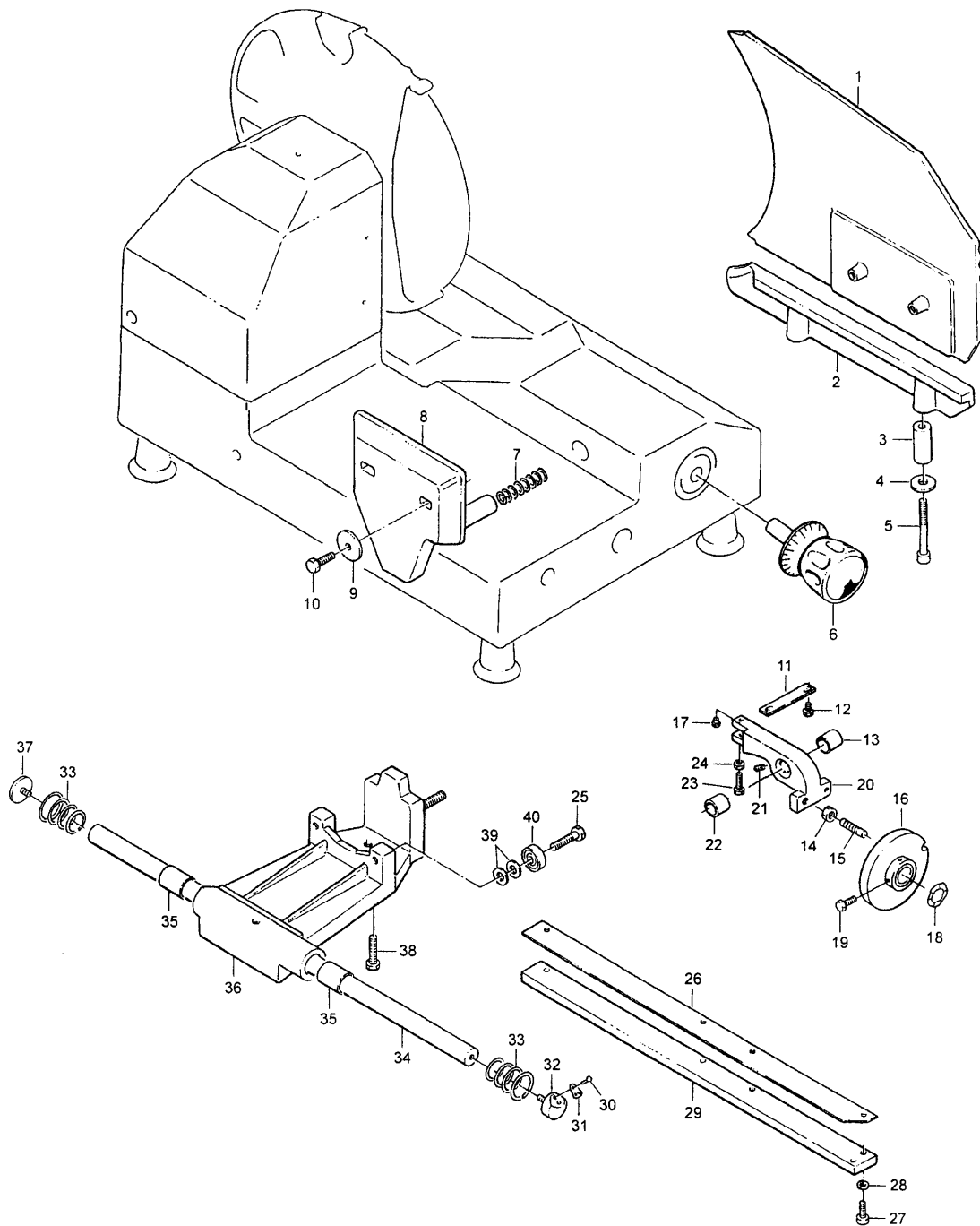
# KNIFE AND HOUSING ASSEMBLY



# KNIFE AND HOUSING ASSEMBLY

Item	Description	Part Number
1	Knob	823-00403
2	Center Plate	829-00002
3	Insert	827-00135
4	Screw	827-00074
5	Knife	829-00073
6	Screw	827-00074
7	Rubber Ring	827-00209
8	Pulley Shaft	N/A
9	Rubber Ring	850-00001
10	Pulley Complete	829-00067
11	Bearing	2375-00103
12	Bearing Spacer	827-00070
13	Circlip	825-00071
14	Circlip	825-00072
15	Screw	825-00122
16	Washer	2275-03071
17	Ring Guard	850-00003
18	Spacer	850-00004
19	Nut	850-00005
20	Housing	N/A
21	Slice Deflector	829-00011
22	Screw	829-00091
23	Set Screw	827-00086
24	Nut	827-00146
25	Tie Rod	827A-00075A
26	Plug	850-00006
27	Belt	850-00066-B
28	Housing	N/A
29	Screw	850-00008
30	Insert	850-00009
31	Foot	827-00093
32	Screw	827-00021
33	Set Screw	827-00086
34	Pulley Assembly Complete	829-00067

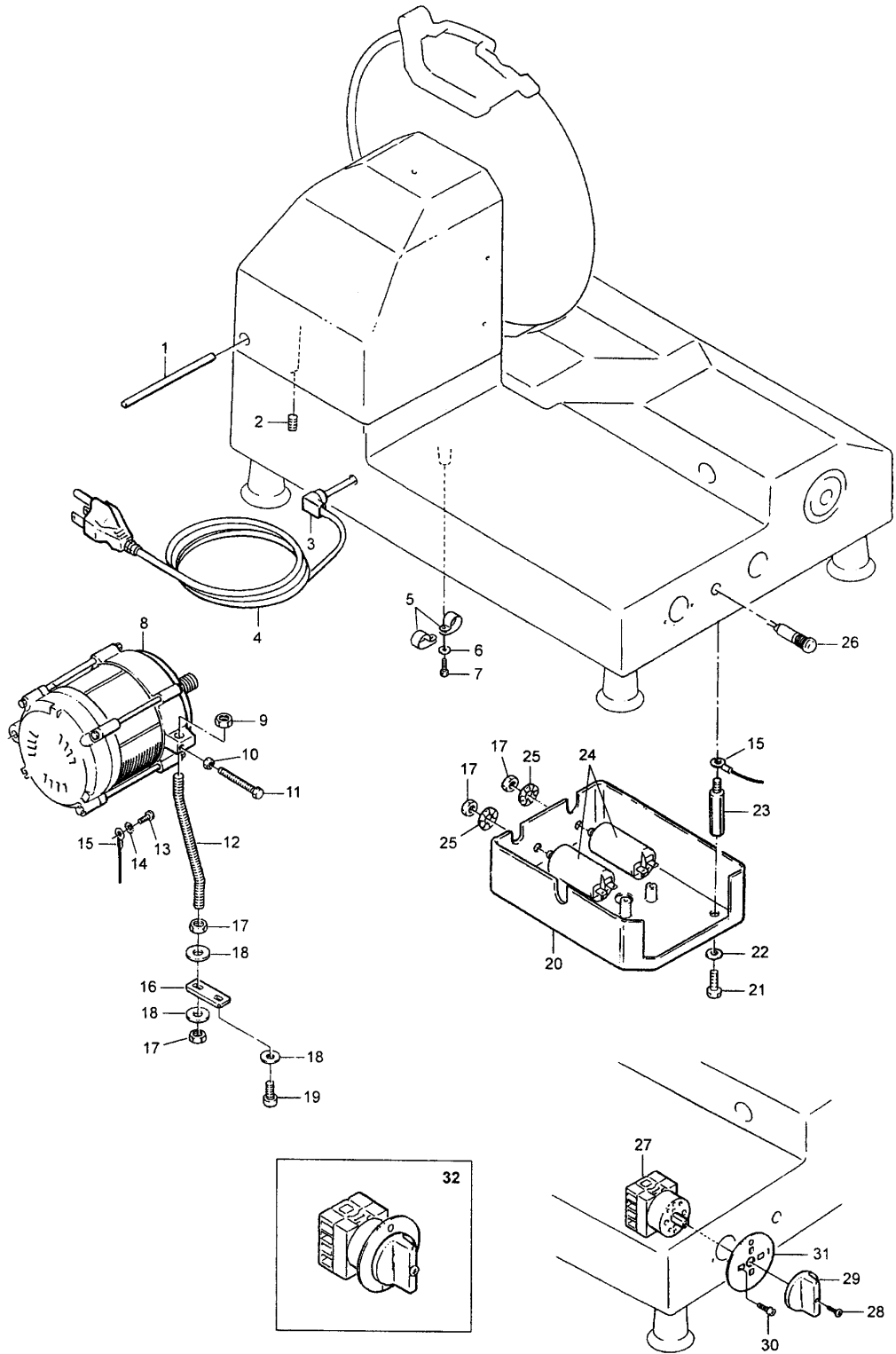
# Carriage and Index Assembly



# CARRIAGE AND INDEX ASSEMBLY

Item	Description	Part Number
1	Gauge Plate	850-00032
2	Support	850-00033
3	Spacer	850-00034
4	Washer	823-00102
5	Screw	850-00035
6	Index Knob	850-00036
7	Spring	829-00024
8	Gauge Plate Support	850-00037
9	Washer	850-00038
10	Screw	825-00122
11	Plate	827-00026
12	Screw	827-00032
13	Bushing	827-00219
14	Nut	827-00033
15	Cam Pin	827-00027
16	Index Cam	829-00029
17	Nylon Pin	827-00030
18	Washer	827-00095
19	Screw	825-00021
20	Support	850-00039
21	Set Screw	827-00086
22	Bushing	827-00219
23	Screw	827-00028
24	Nut	827-00029
25	Screw	829-00017
26	Plate	829-00092
27	Screw	827-00021
28	Washer	823-00114
29	Square Rail	829-00014
30	Rivet	829-00096
31	Oil Plate	827-00097
32	Ball Oiler	829-00099
33	Spring	829-00020
34	Round Rail	829-00013
35	Bushing	N/A
36	Carriage	850-00012
37	Screw	829-00050
38	Nylon Screw	827-00129
39	Washer	827-00016
40	Bearing	827-00015

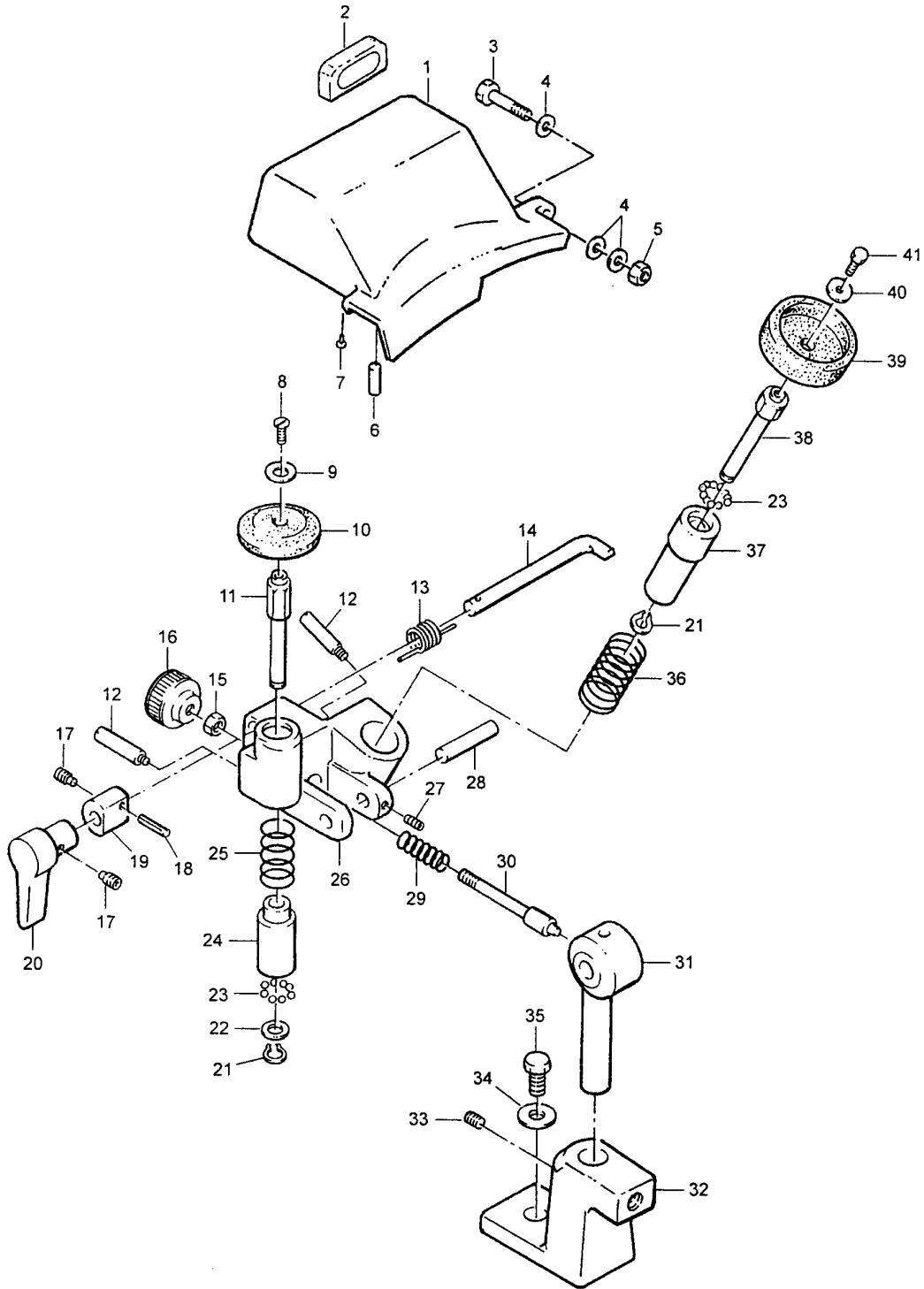
# Housing and Electrical



# HOUSING AND ELECTRICAL

Item	Description	Part Number
1	Motor Pin	827-00074
2	Set Screw	827-00086
3	Locking Plate	827-00127
4	Cable	4175-00031
5	Plate	3675-00224
6	Washer	825-00006
7	Screw	825-00021
8	Motor Pin	829-00048
9	Nut	2101-07041
10	Nut	827-00029
11	Screw	827-00062
12	Tie Rod	850-00049
13	Screw	N/A
14	Lock Washer	N/A
15	Terminal	N/A
16	Plate	823-00055
17	Nut	823-00106
18	Washer	823-00102
19	Screw	827-00058
20	Box	825-00405
21	Screw	825-00021
22	Washer	825-00006
23	Spacer	829-00128
24	Capacitor	829-00042
25	Washer	829-00402
26	Pilot Light	825-00041
27	Switch	827A-00039-02
28	Screw	827A-00400
29	Knob	827A-00036-02
30	Screw	827A-00401
31	Badge	827A-00039-B02
32	Switch Complete	827A-00039-02

# SHARPENER ASSEMBLY



# Sharpener Assembly

Item	Description	Part Number
1	Cover	829-00010
2	Flag	I2062RED
3	Screw	829-00405
4	Washer	829-00403
5	Nut	827-00033
6	Spacer	829-00115
7	Rubber Stopper	825-00032
8	Screw	827-00074
9	Washer	829-00133
10	Stone	829-00409
11	Shaft	829-00132
12	Pin	829-00130
13	Spring	829-00112
14	Lever	829-00122
15	Nut	827-00146
16	Knob	829-00131
17	Set Screw	829-00125
18	Pin	829-00126
19	Bushing	829-00129
20	Handle	829-00127
21	Circlip	829-00112
22	Washer	829-00121
23	Ball	829-00110
24	Bushing	829-00123
25	Spring	829-00124
26	Frame	N/A
27	Set Screw	829-00407
28	Pin	829-00114
29	Spring	829-00120
30	Pin	829-00116
31	Support	829-00117
32	Support	850-00040
33	Set Screw	829-00119
34	Washer	2275-03071
35	Screw	825-00122
36	Spring	829-00113
37	Busing	829-00111
38	Shaft	829-00109
39	Stone	829-00408
40	Washer	825-00006
41	Screw	825-00021