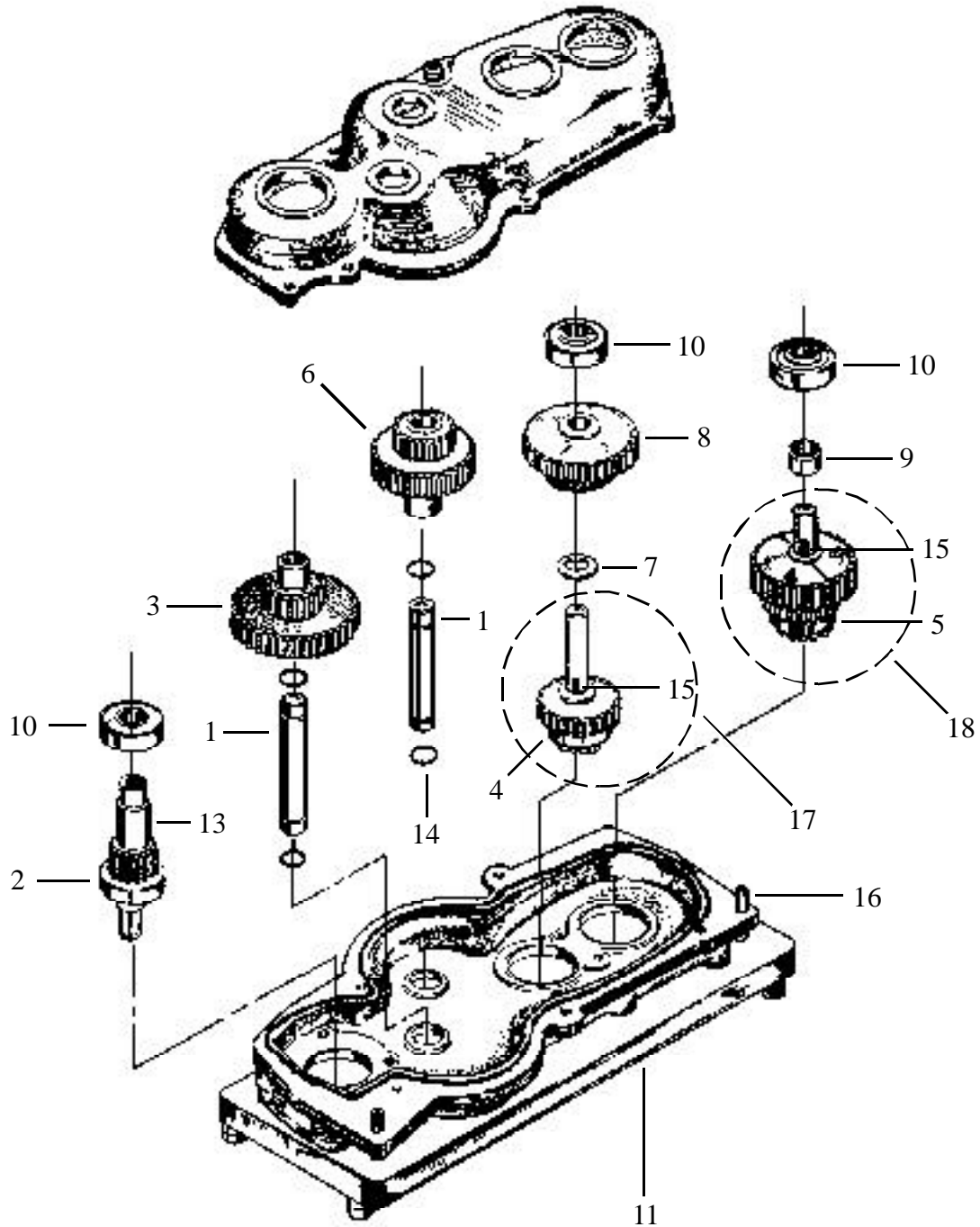


Frame, Motor and Gear Box

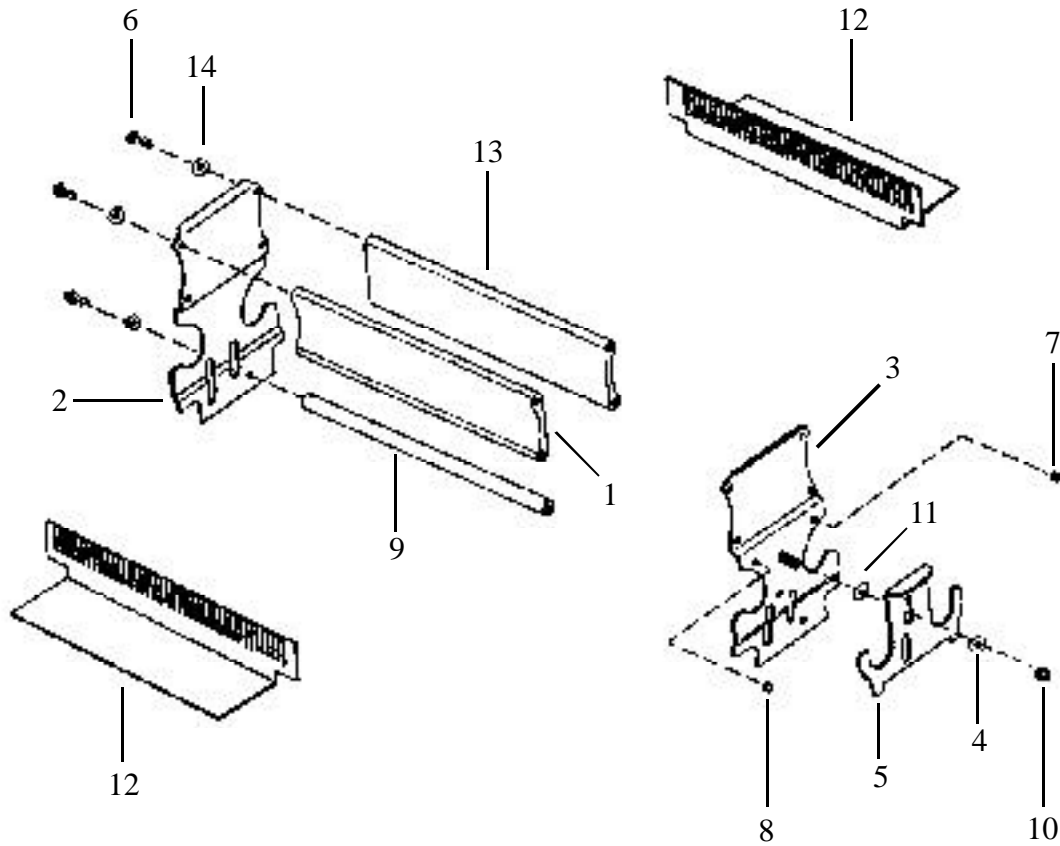
No.	Description	Part No.	No.	Description	Part No.
1	Housing, Lower	4575-00801	32	Screw, #6 x 1	2175-01326
2	Housing, Upper	3775-00275	33	Washer, Lock #6	2275-01027
3	Leg	3775-00279	34	Adapter Assy., Motor	4575-00276
4	Switch, Rocker 15A	2675-00015	35	Magnet Assy., Switch	4375-00026
5	Boot, Switch	3675-00050	36	Safety Cover, Complete	9234-00020
6	Mount, Micro Switch	3475-00385	37	Pin, Cover	3375-00156
7	Gear Box Assy.	4675-00462	38	Spring	3275-00012
8	Switch, Micro	4175-00020	39	Knob, Pivot	3375-00157
9	Screw, Cap 3/8 x 1	2175-01073	40	Motor, 115-60-1	4175-00425
10	Screw, 1/4 x 1-1/4	2175-00237		Motor & Mount, 115V	4975-00110
11	Pin Support	3375-00664		Motor, 220-50-1	4175-00126
12	Support Assy., Capacitor	4575-00291		Motor & Mount, 220V	4975-00112
13	Screw, 5/16 x 1	2175-01864	41	Capacitor, 216/259 MFD	2675-00036
14	Washer, 5/16	2275-01065	42	Cap, Capacitor	2675-00002
15	Screw, Pan 6 x 3/8	2175-01321	43	Bracket, Capacitor	3275-00011
16	Washer, #6	2275-01021	44	Frame & Blade Assy.	4675-00103
17	Nut, Twin No. 6 x 1	2175-00073	45	Motor Mount, Franklin	3475-00392
18	Shaft Assy., Blade Front	4675-00107		Motor Mount, GE & Emerson	3475-00407
19	Shaft Assy., Blade Rear	4675-00105	46	Clamp, Motor	2275-00087
20	Frame Assy., Blade	4375-00021	47	Bolt, Allen Head	2175-03769
21	Plate, Stripper	3475-00105	48	Magnet	2775-00001
22	Seal, Clutch	3875-00054	49	"O" Ring	2275-00014
23	Plug, Flush Button	3875-00055	50	Lockwasher	3275-00013
24	Nut, Hex #10	2175-05040	51	Hex Nut	2175-00077
25	Foot, Support	3375-00191	52	Rubber Boot	2275-00208
26	Shoe, Rubber	3675-00051	*	Flexible Coupling (NS)	2375-00134
27	Cap	2275-00070	*	Flexible Coupling (OS)	2375-00095
28	Bezel, Clutch	3875-00052	*	Fan	2375-00135
29	Bezel, Pin	3875-00053	*	Oil Seal	2275-00213
30	Screw, #10 x 1/2	2175-01642	*	Power Cord, 115-60-1	4175-00022
31	Nut, Twin #10 x 1-1/2	2175-00072	*	Power Cord, 220-50-1	4175-00038
			*	Cord Clamp	2675-00016

Gearbox



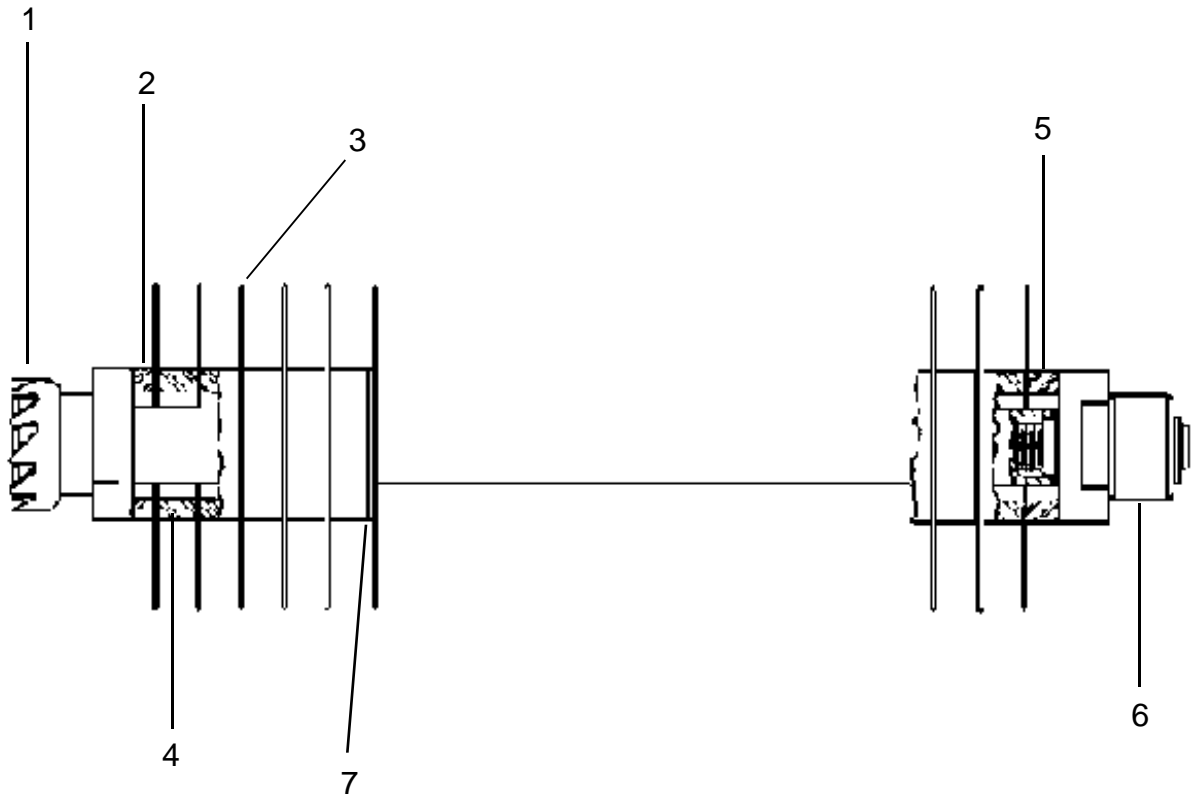
No.	Description	Part No.	No.	Description	Part No.
1	Idler Shaft	3375-00669	10	Bearing	2375-00010
2	Plastic Spacer	3375-00083	11	Loctite #510	-
3	Cluster Gear Assy.	4575-00285	12	Loctite #290	-
4	Rear Clutch Assy.	4575-00295	13	Drive Gear Assy.	4375-00132
5	Front Clutch Assy.	4575-00290	14	"O" Ring	2275-00231
6	Cluster Gear Assy.	4575-00286	15	Woodruff Key	3275-00006
7	Flat Washer	3275-00010	16	Dowel Pin	2275-04221
8	Rear Clutch Gear Assy.	4575-00293	17	Rear Clutch Assy.	4375-00135
9	Spacer	3375-00083	18	Front Clutch Assy.	4375-00134

Blade Frame Assembly



No.	Description	Tenderizer Part No.	Stir Fry Part No.
1	Side, Blade Frame	3675-00054	3675-00220
2	Plate, End L.H.	3475-00101	3475-00705
3	Plate, End R.H.	4575-00756	3475-00757
4	Washer, 3/16	2275-00354	2275-00354
5	Lock Plate	3475-00189	3475-00189
6	Screw, Truss #10 x 1/2	2175-03442	2175-03442
7	Plug, ID - Rear (Red)	3375-00160	3375-00160
8	Plug, ID - Front (White)	3375-00161	3375-00161
9	Tie Bar	3375-00159	3375-01060
10	Nut, Hex #10	2175-00082	2175-00082
11	Washer, Spring	2175-00079	2175-00079
12	Stripper Plate	3475-00105	3475-00747
13	Side, Blade Frame	3675-00054	3675-00054
14	Washer, #10 Lock	2275-03047	2275-03047
15	Label, Warning	N/A	3175-00550
-	Complete Assy. w/o Stripper Plate	4375-00021	4675-00758

Stir Fry Knife Shaft Assembly



Shaft Assembly Complete, 11/16 4675-00779

No.	Description	Part No.	Req.
1	Shaft Assy., Front	4575-00059	1
2	Spacer Shaft	3375-01020	1
3	Knife	3475-00697	11
4	Spacer, .65	3375-01050	10
5	Spacer, Traction	3475-00699	1
6	Bearing Assy.	4675-00104	1
7	Washer	3475-00050	A/R

Shaft Assembly Complete, 3/8 4675-00777

No.	Description	Part No.	Req.
1	Shaft Assy., Front	4575-00059	1
2	Spacer Shaft	3375-01020	2
3	Knife	3475-00697	20
4	Spacer, .31	3375-01047	19
5	Spacer, Traction	3375-01020	1
6	Bearing Assy.	4675-00104	1
7	Washer	3475-00050	3

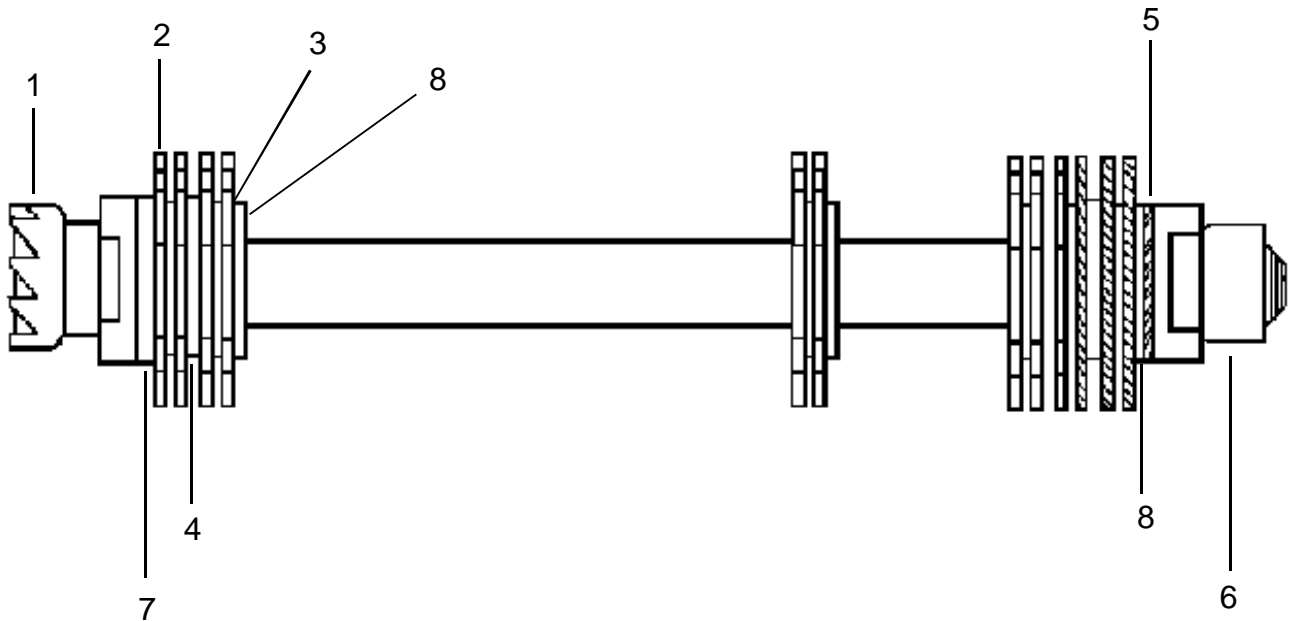
Shaft Assembly Complete, 7/8 4675-00781

No.	Description	Part No.	Req.
1	Shaft Assy., Front	4575-00059	1
2	Spacer Shaft	3375-01020	1
3	Knife	3475-00697	9
4	Spacer, .82	3375-01051	8
5	Spacer, Traction	3475-00699	1
6	Bearing Assy.	4675-00104	1
7	Washer	3475-00050	A/R

Shaft Assembly Complete, 1/2 4675-00756

No.	Description	Part No.	Req.
1	Shaft Assy., Front	4575-00059	1
2	Spacer Shaft	3375-01020	1
3	Knife	3475-00697	14
4	Spacer	3375-01021	13
5	Spacer, Traction	3375-01019	1
6	Bearing Assy.	4675-00104	1
7	Washer	3475-00050	A/R

Stir Fry Traction Shaft Assembly



Shaft Assembly Complete, 11/16 4675-00780

No.	Description	Part No.	Req.
1	Shaft Assy., Rear	4575-00061	1
2	Roller, Traction	3475-00698	22
3	Spacer, Traction	3475-00699	12
4	Spacer, .44	3375-01048	10
5	Same as item #3	3475-00699	-
6	Bearing Assy.	4675-00106	1
7	Spacer, End .15	3375-01018	1
N/S	Washer	3475-00050	A/R

Shaft Assembly Complete, 3/8 4675-00778

No.	Description	Part No.	Req.
1	Shaft Assy., Rear	4575-00061	1
2	Roller, Traction	3475-00698	40
3	Spacer, Traction	3475-00699	22
4	Spacer, .10	3375-01045	17
5	Spacer, Traction	3375-01017	1
6	Bearing Assy.	4675-00106	1
7	Spacer, End .15	3375-01018	1
8	Washer	3475-00050	4

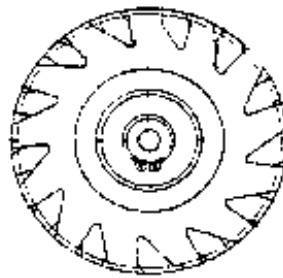
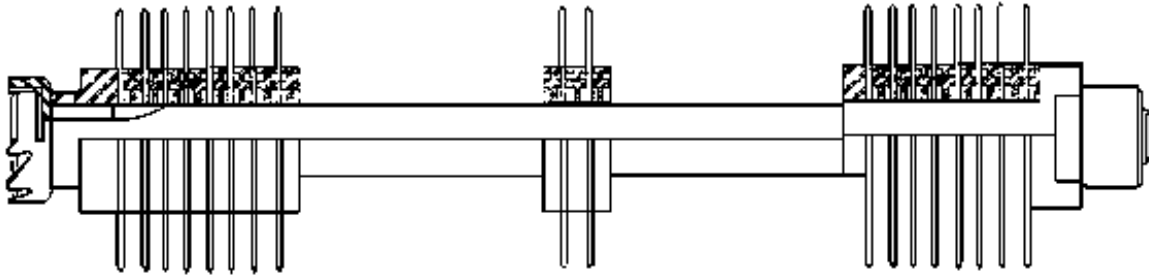
Shaft Assembly Complete, 7/8 4675-00782

No.	Description	Part No.	Req.
1	Shaft Assy., Rear	4575-00061	1
2	Roller, Traction	3475-00698	18
3	Spacer, Traction	3475-00699	10
4	Spacer, .61	3375-01049	8
5	Same as item #7	3375-01018	-
6	Bearing Assy.	4675-00106	1
7	Spacer, End .15	3375-01018	1
N/S	Washer	3475-00050	A/R

Shaft Assembly Complete, 1/2 4675-00757

No.	Description	Part No.	Req.
1	Shaft Assy., Rear	4575-00061	1
2	Roller, Traction	3475-00698	28
3	Spacer, Traction	3475-00699	14
4	Spacer, .44	3375-01048	13
5	Same as item #7	3375-01018	-
6	Bearing Assy.	4675-00106	1
7	Spacer, End .15	3375-01018	1
N/S	Washer	3475-00050	A/R

Tenderizer Blade and Shaft Assembly



No.	Description	Front Shaft Part No.	Rear Shaft Part No.	Req.
1	Shaft Assy., Front	4575-00059	4575-00061	1
2	Blade, Cutting	3275-00014	3275-00014	43
3	Spacer, Blade Solid	3375-00164	3375-00164	1
4	Spacer, Blade	3375-00165	3375-00165	41
5	Bearing Assy., Front	4675-00104	4675-00106	1
6	Washer	3475-00050	3475-00050	3
-	Complete Assembly	4675-00107	4675-00105	