



CATALOG OF  
REPLACEMENT PARTS



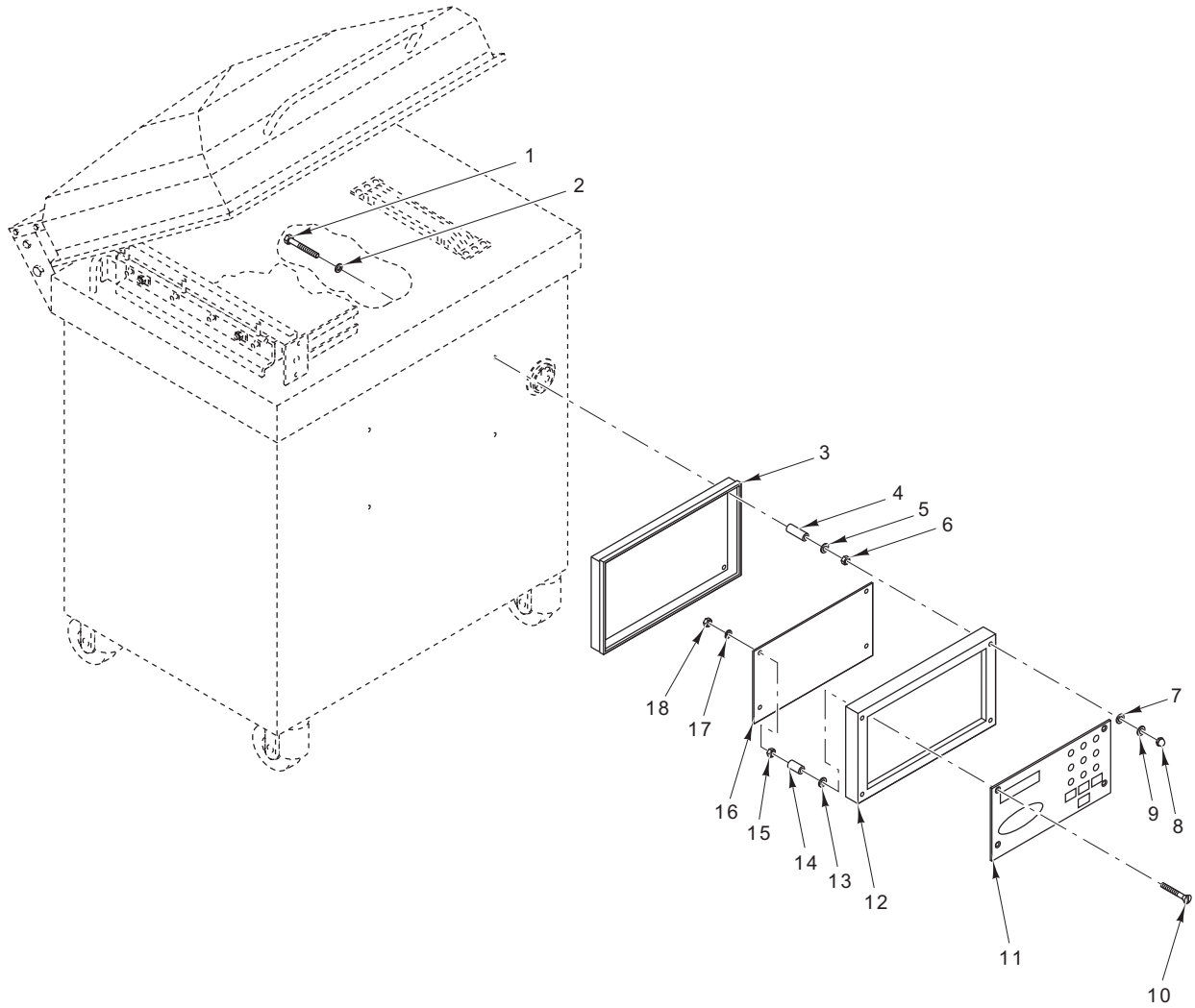
MODEL  
450A VACUUM  
PACKAGE MACHINES

EFFECTIVE APRIL 2010



### Table of Contents

5	CONTROL PANEL
7	ELECTRICAL COMPONENTS
9	COVER
11	CABINET AND TABLE
13	SEAL BAR ASSEMBLY
15	SEAL BAR (WITH BAG CUT OPTION)
17	GAS INJECTION
19	AIR REGULATOR AND FILTER

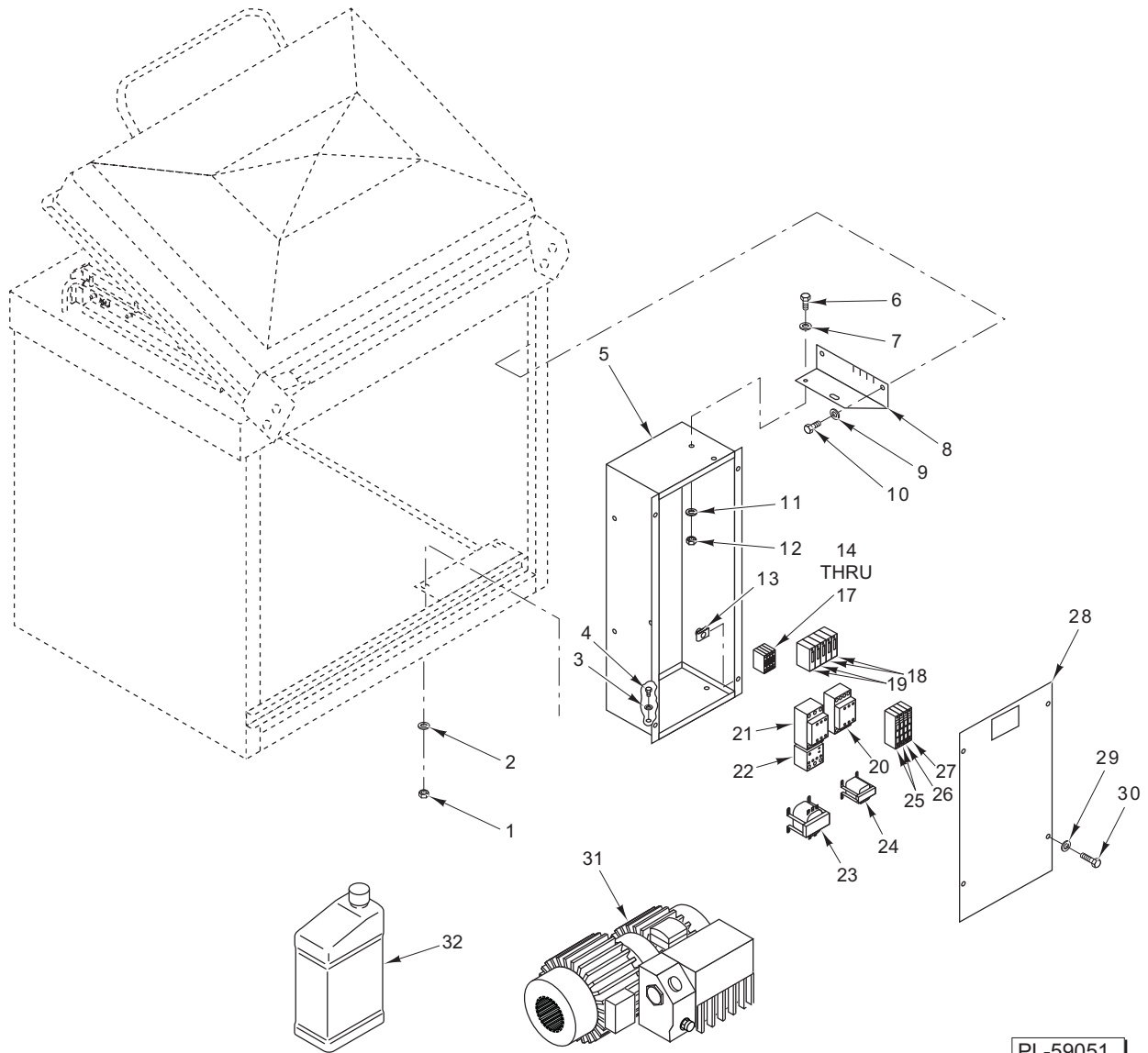


PL-59048

**CONTROL PANEL**

## CONTROL PANEL

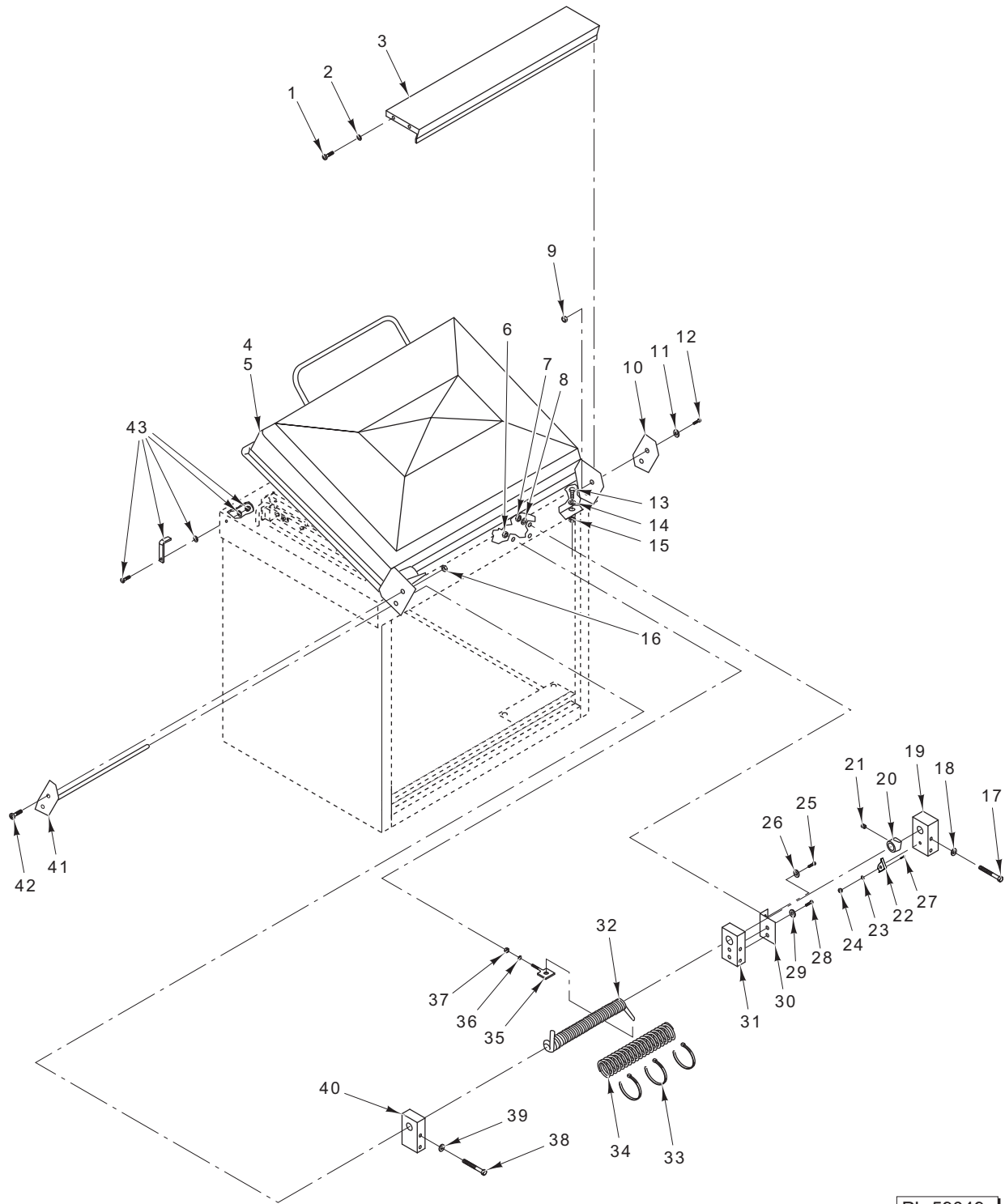
ILLUS.	PART NO.	NAME OF PART	AMT.
PL-59048			
1	SC-036-04	Mach. Screw 1/4-20 x 3/4 Slotted Hex Hd. ....	4
2	WL-006-17	Lockwasher 1/4 Helical (SST) .....	4
3	01-400005-00584	Support Assy. – Rear .....	1
4	01-400058-00140	Spacer .....	4
5	WL-006-17	Lockwasher 1/4 Helical (SST) .....	4
6	NS-046-38	Nut 1/4-20 Hex (SST) .....	4
7	01-400057-00089	Washer – EPDM Rubber Seal 1/4 x 5/8 OD .....	4
8	NS-049-18	Nut – Acorn 1/4-20 (SST) .....	4
9	WS-022-21	Washer.....	4
10	SC-111-87	Mach. Screw 4-40 x 1 3/8 Phil. Pan Hd. ....	4
11	01-400033-00018	Keyboard – Berkel .....	1
12	01-400004-00425	Support – Front.....	1
13	WS-023-22	Washer (SST) .....	4
14	01-400058-00120	Spacer .....	4
15	NS-011-01	Nut 4-40 Hex (SST) .....	4
16	01-400033-00385	PC Board .....	1
17	WL-008-45	Lockwasher #4 Internal.....	4
18	NS-011-01	Nut 4-40 Hex (SST) .....	4
	01-400005-00583	Support Assy. – PC Board .....	1



**ELECTRICAL COMPONENTS**

## ELECTRICAL COMPONENTS

ILLUS. PL-59051	PART NO.	NAME OF PART	AMT.
1	NS-018-01	Jam Nut 1/4-20 Hex (SST) .....	2
2	WS-022-21	Washer.....	2
3	WS-022-21	Washer.....	2
4	SC-129-49	Mach. Screw 1/4-20 x 1/2 Hex Washer Hd. (SST).....	2
5	01-400005-00347	Box – Electrical .....	1
6	SC-129-49	Mach. Screw 1/4-20 x 1/2 Hex Washer Hd. (SST).....	2
7	WS-022-21	Washer.....	2
8	01-400001-01364	Support – Upper Left Electrical Box.....	1
9	WS-022-21	Washer.....	2
10	SC-129-49	Mach. Screw 1/4-20 x 1/2 Hex Washer Hd. (SST).....	2
11	WS-022-21	Washer.....	2
12	NS-018-01	Jam Nut 1/4-20 Hex (SST) .....	2
13	01-129389	Speed Nut 1/4-20 .....	4
14	01-400034-00740	Holder – Fuse .....	1
15	01-400034-00200	Fuse (250 V., 3/4 Amp.).....	1
16	01-400034-00210	Fuse (250 V., 2 Amp.).....	1
17	01-400034-00450	Fuse (250 V., 7 Amp.).....	1
18	01-400034-00450	Fuse (250 V., 7 Amp.).....	2
19	01-400034-00550	Fuse (250 V., 4 Amp.).....	2
20	01-400025-00020	Contactactor (LC1DT25B7).....	1
21	01-400025-00010	Contactactor(LC1D09B7) .....	1
22	01-400025-00160	Overload – Thermal (LRD12).....	1
23	01-400029-00040	Transformer (500 VAC) (208-240 V. to 24 V., 60 Hz.).....	1
24	01-400029-00009	Transformer (65 VAC) (208-230 V. to 24-9 V.).....	1
25	01-400034-00700	Holder – Fuse .....	2
26	01-400034-00210	Fuse (250 V., 2 Amp.).....	1
27	01-400034-00210	Fuse (250 V., 2 Amp.).....	1
28	01-400004-00273	Cover – Electrical Box .....	1
29	WS-022-21	Washer.....	4
30	SC-129-49	Mach. Screw 1/4-20 x 1/2 Hex Washer Hd. (SST).....	4
31	01-400125-00040	Pump (Busch) (63M3, 3 Hp., 230-460 V., 3 Ph., 60 Hz.).....	1
32	01-401875-00109	Oil – Synthetic Vacuum (15 Wt., 1 Qt.) .....	AR

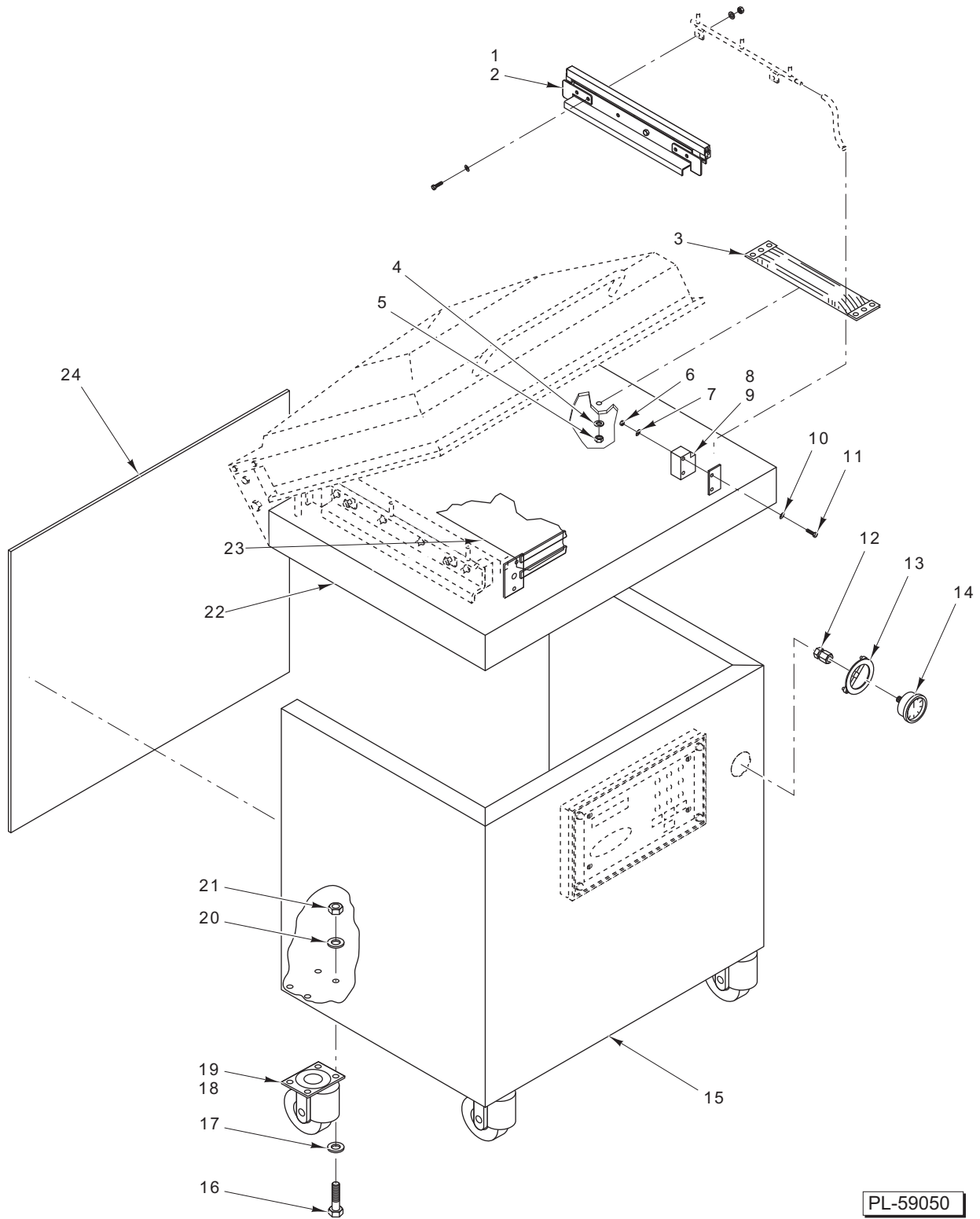


PL-59049

**COVER**

## COVER

ILLUS.	PART NO.	NAME OF PART	AMT.
	<b>PL-59049</b>		
1	SC-115-60	Mach. Screw 1/4-20 x 1/2 Phil. Pan Hd. ....	4
2	WS-022-21	Washer.....	4
3	01-400004-00172	Cover – Spring.....	1
4	01-400005-00540	Cover Assy. ....	1
5	01-400005-00530	Cover Assy. (9 1/2 In.) .....	1
6	NS-015-20	Nut 1/2-13 Hex (SST).....	1
7	NS-015-13	Nut 3/8-16 Hex (SST).....	2
8	WS-018-22	Washer.....	1
9	NS-015-13	Nut 3/8-16 Hex (SST).....	2
10	01-400001-01335	Stopper – Cover.....	1
11	WS-018-22	Washer.....	2
12	SC-067-16	Mach. Screw 3/8-16 x 1 Slotted Hex Hd. (SST).....	2
13	SC-067-16	Mach. Screw 3/8-16 x 1 Slotted Hex Hd. (SST).....	1
14	WS-018-22	Washer.....	1
15	NS-018-01	Jam Nut 1/4-20 Hex (SST) .....	1
16	NS-015-13	Nut 3/8-16 Hex (SST).....	2
17	SC-012-24	Mach. Screw 3/8-16 x 3 1/4 Slotted Fil. Hd. (SST) .....	2
18	WS-018-22	Washer.....	2
19	01-400004-00274	Support – Cover Axis (LH) .....	1
20	01-400005-00348	Collar Assy. – Micro-Switch.....	1
21	SC-055-02	Set Screw 1/4-20 x 1/4 Hex Hdls. Cup Pt. (SST).....	1
22	01-400026-00610	Limit Switch – Long Roller .....	1
23	WL-008-45	Lockwasher #4 Internal (SST) .....	2
24	NS-011-01	Nut 4-40 Hex (SST) .....	2
25	SC-067-16	Mach. Screw 3/8-16 x 1 Slotted Hex Hd. (SST) .....	2
26	WS-018-22	Washer.....	2
27	SC-007-16	Mach. Screw 4-40 x 1 1/2 Slotted Rd. Hd. (SST) .....	2
28	SC-067-16	Mach. Screw 3/8-16 x 1 Slotted Hex Hd. (SST).....	2
29	WS-018-22	Washer.....	2
30	01-400001-01540	Fixation – Central Cover Axis Support .....	1
31	01-400004-00276	Axis Support – Central Cover .....	1
32	01-400008-00460	Spring – Cover .....	1
33	01-400057-00330	Tie – Cable 14 In. Lg. (Black) .....	3
34	01-400038-00350	Loom 2 In. ID x 370mm .....	1
35	01-400005-00346	Support – Spring Tension.....	1
36	WS-020-06	Washer.....	1
37	NS-015-20	Nut 1/2-13 Hex (SST).....	1
38	SC-012-24	Mach. Screw 3/8-16 x 3 1/4 Slotted Fil. Hd. (SST) .....	2
39	WS-018-22	Washer.....	2
40	01-400004-00275	Support – Cover Axis (RH) .....	1
41	01-400004-00129	Axis – Cover .....	1
42	SC-067-16	Mach. Screw 3/8-16 x 1 Slotted Hex Hd. (SST).....	2
43	01-400004-01651	Hold Down – Cover.....	1

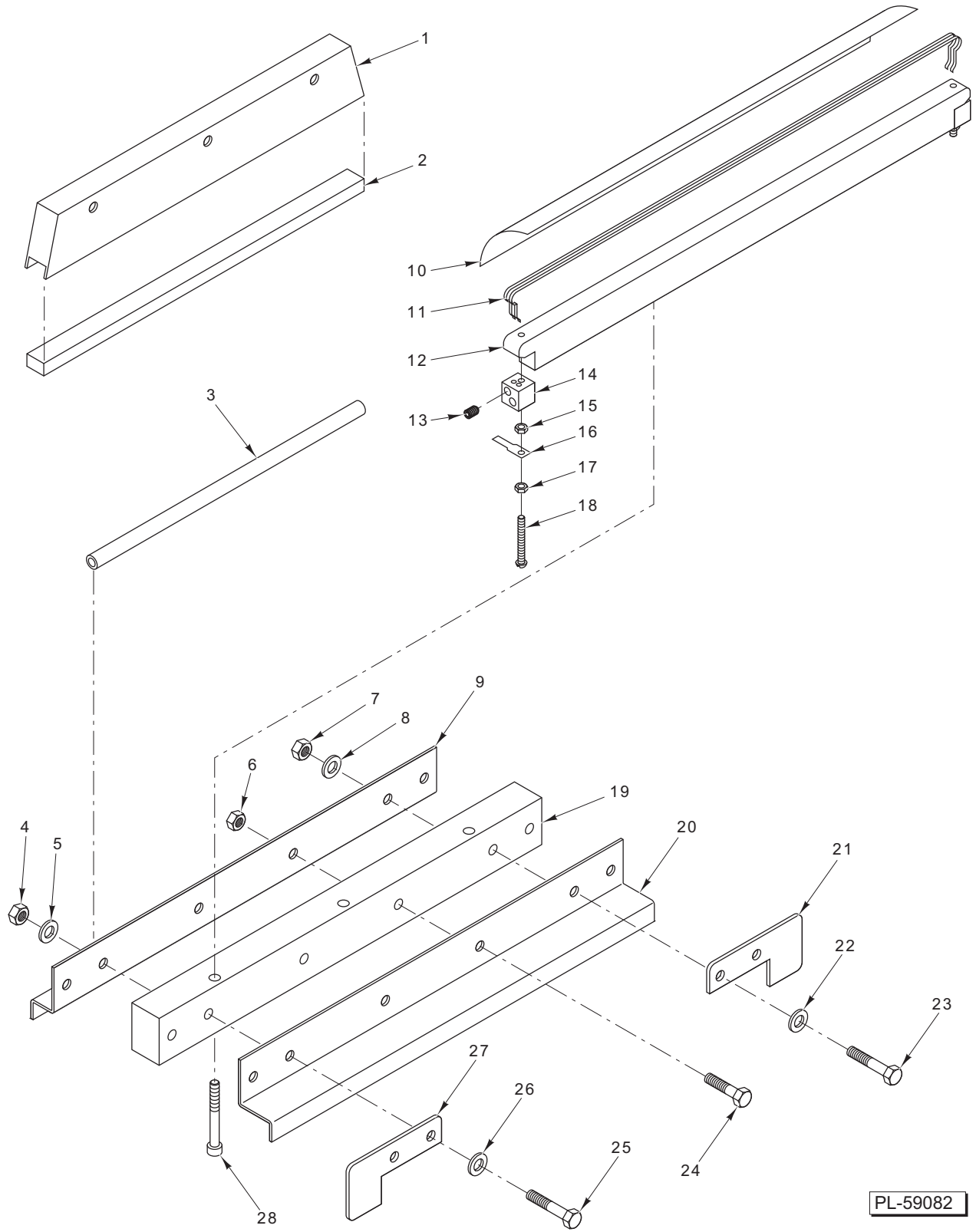


PL-59050

**CABINET AND TABLE**

## CABINET AND TABLE

ILLUS.	PART NO.	NAME OF PART	AMT.
1	01-400005-00564	Seal Bar Assy. With Support (Twin Seal Option) .....	2
2	01-400005-00565	Seal Bar Assy. With Support (Bag Cut Option) .....	2
3	01-400005-00532	Bellows Assy. ....	2
4	WL-006-28	Lockwasher $\frac{3}{8}$ Helical (SST) .....	6
5	NS-015-20	Nut $\frac{1}{2}$ -13 Hex (SST) .....	6
6	SC-041-07	Cap Screw $\frac{1}{4}$ -20 x $1\frac{1}{2}$ Hex Hd.(SST) .....	2
7	WS-022-21	Washer.....	2
8	01-400002-00326	Guide Block – Seal Bar (LH).....	2
9	01-400002-00327	Guide Block – Seal Bar (RH) .....	2
10	WS-022-21	Washer.....	2
11	NS-018-01	Jam Nut $\frac{1}{4}$ -20 Hex (SST) .....	2
12	01-400101-00038	Fitting – Straight $\frac{1}{4}$ x $\frac{3}{8}$ In. (Brass).....	1
13	01-400001-01869	Washer – Holding .....	1
14	01-400114-00260	Gage – Vacuum (Incls. Item 13) .....	1
15	01-400005-00601	Panel – Front .....	1
16	SC-112-72	Mach. Screw $\frac{5}{16}$ -18 x $\frac{3}{4}$ Hex Hd. (SST).....	4
17	WL-003-47	Lockwasher $\frac{5}{16}$ Helical .....	4
18	01-400130-04PHB	Caster – Swivel With Brake (4 In.).....	2
19	01-400130-04PHO	Caster – Swivel Without Brake (4 In.).....	2
20	WL-003-47	Lockwasher $\frac{5}{16}$ Helical .....	4
21	NS-018-06	Jam Nut $\frac{5}{16}$ -18 Hex (SST) .....	4
22	01-400005-00531	Table Assy.....	1
23	01-400005-00534	Filler Plate Assy.....	2
24	01-400005-00411	Panel – Rear .....	1
	01-400005-00602	Panel Assembly – Front and Rear .....	1



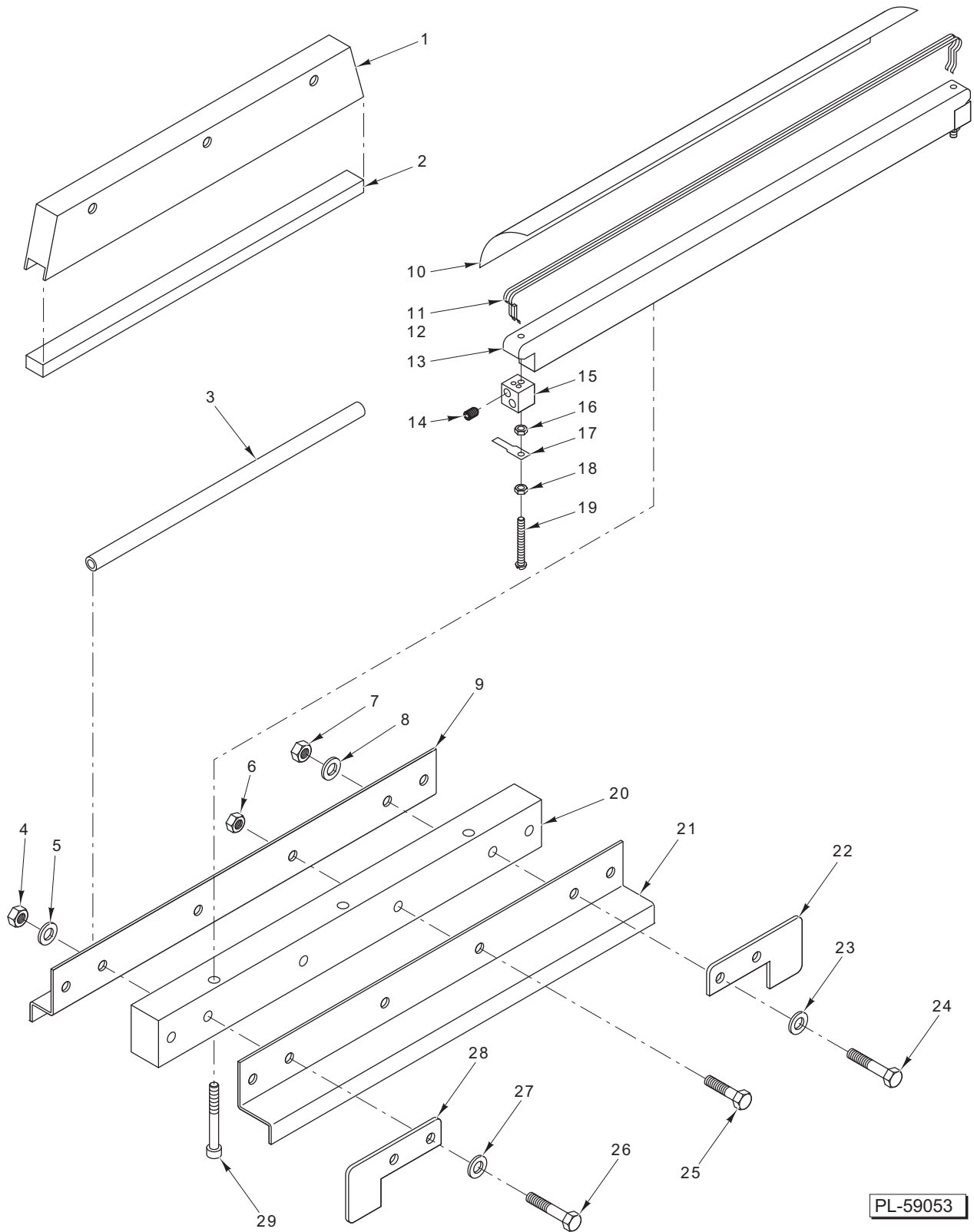
PL-59082

**SEAL BAR ASSEMBLY**

## SEAL BAR ASSEMBLY

ILLUS. PL-59082	PART NO.	NAME OF PART	AMT.
1	01-400002-00480	Support – Upper Seal Bar.....	1
*2	01-400008-00450	Rubber – Upper Seal Bar.....	AR
*3	01-400038-00230	Wiring Duct With Adhesive.....	AR
4	NS-018-01	Jam Nut 1/4-20 Hex (SST).....	2
5	WS-022-21	Washer.....	5
6	NS-018-01	Jam Nut 1/4-20 Hex (SST).....	2
7	NS-018-01	Jam Nut 1/4-20 Hex (SST).....	2
8	WS-022-21	Washer.....	2
9	01-400001-01960	Cover – Exterior Bellows.....	1
*10	01-400003-0021R	Tape – Teflon (27 In.).....	AR
*11	01-400039-00200	Element – Sealing (2-27 In.).....	AR
12	01-400002-00481	Bar – Seal.....	1
13	SC-055-02	Set Screw 1/4-20 x 1/4 Hex Hdls. Cup Pt. ....	2
14	01-400002-00031	Connector.....	2
15	NS-011-12	Nut 8-32 (SST).....	1
16	01-400027-00400	Adapter – Connector.....	1
17	NS-011-12	Nut 8-32 (SST).....	1
18	SC-028-16	Mach. Screw 8-32 x 1 1/4 Slotted Rd. Hd. (Brass).....	1
19	01-400002-00512	Support – Seal Bar.....	1
20	01-400001-01856	Cover – Interior Bellows.....	1
21	01-400001-01858	Guide – Seal Bar.....	1
22	WS-022-21	Washer.....	2
23	SC-041-07	Cap Screw 1/4-20 x 1 1/2 Hex Hd. (SST).....	2
24	SC-126-59	Mach. Screw 1/4-20 x 1 1/4 Hex Hd. (SST).....	2
25	SC-041-07	Cap Screw 1/4-20 x 1 1/2 Hex Hd. (SST).....	2
26	WS-022-21	Washer.....	2
27	01-400001-01858	Guide – Seal Bar.....	1
28	SC-040-97	Cap Screw 1/4-20 x 1 3/4 Hex Socket Hd.(SST).....	3
	01-400005-00564	Seal Bar Assy. With Support (Incls. Items 3 thru 27).....	2
	01-400004-00352	Seal Bar Pre-Assembly (Incls. Items 10 thru 18).....	2

\* Sold per foot.

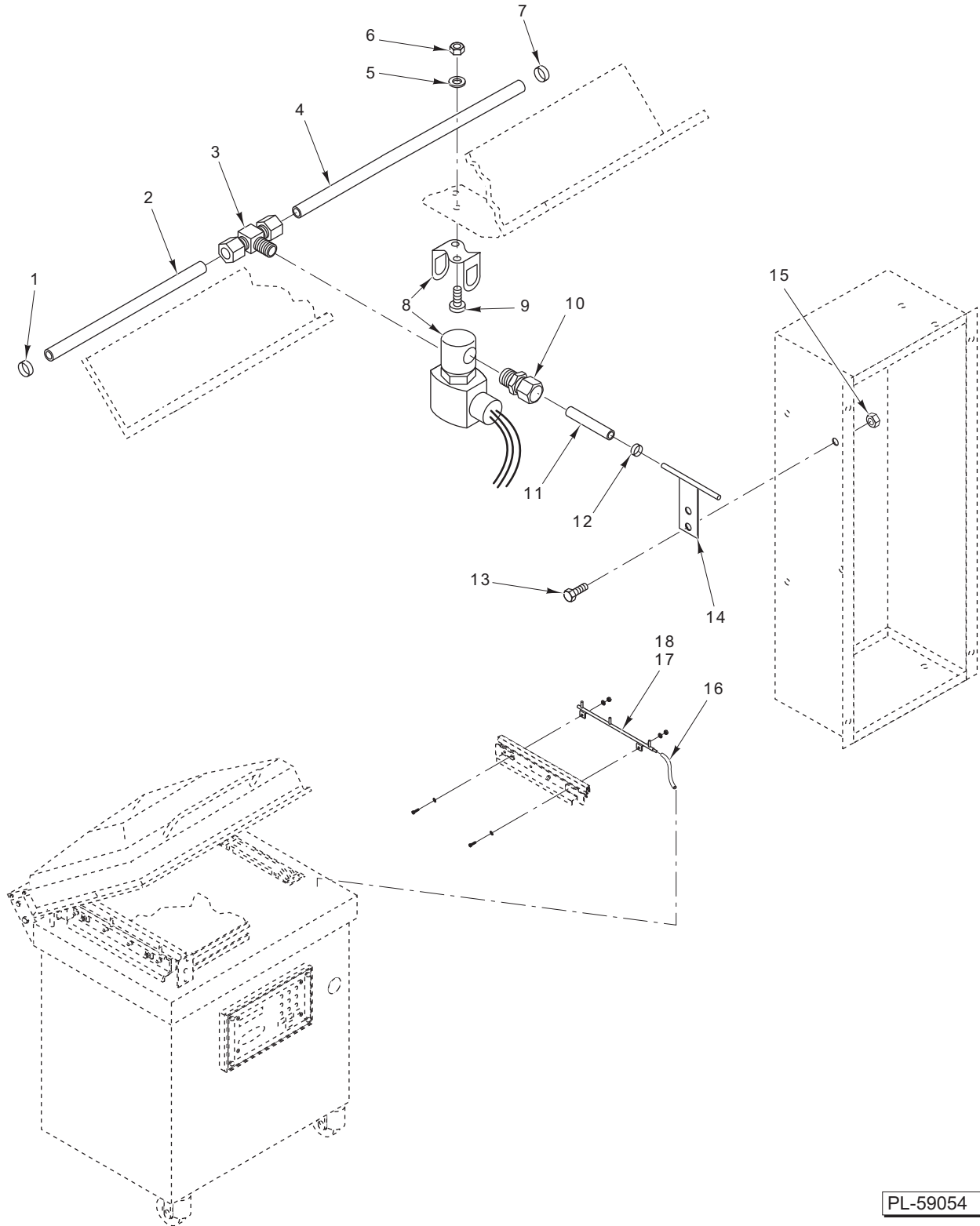


**SEAL BAR ASSEMBLY (WITH BAG CUT OPTION)**

## SEAL BAR (WITH BAG CUT OPTION)

ILLUS. PL-59053	PART NO.	NAME OF PART	AMT.
1	01-400002-00480	Support – Upper Seal Bar (27 In.) .....	1
*2	01-400008-00450	Rubber – Upper Seal Bar (27 In.) .....	AR
*3	01-400038-00230	Wiring Duct With Adhesive (27 In.) .....	AR
4	NS-018-01	Jam Nut 1/4-20 Hex (SST) .....	2
5	WS-022-21	Washer.....	2
6	NS-018-01	Jam Nut 1/4-20 Hex (SST) .....	2
7	NS-018-01	Jam Nut 1/4-20 Hex (SST) .....	2
8	WS-022-21	Washer.....	2
9	01-400001-01960	Cover – Exterior Bellows .....	1
*10	01-400003-0021R	Tape – Teflon (27 In.) .....	AR
*11	01-400039-00270	Element – Profile Cut (27 In.) .....	AR
*12	01-400039-00230	Band – Reflex Seal (27 In.) .....	AR
13	01-400002-00481	Bar – Seal .....	1
14	SC-055-02	Set Screw 1/4-20 x 1/4 Hex Hdls. Cup Pt. ....	2
15	01-400002-00031	Connector .....	2
16	NS-011-12	Nut 8-32 (SST).....	1
17	01-400027-00400	Adapter – Connector.....	1
18	NS-011-12	Nut 8-32 (SST).....	1
19	SC-028-16	Mach. Screw 8-32 x 1 1/4 Slotted Rd. Hd. (Brass) .....	1
20	01-400002-00512	Support – Seal Bar .....	1
21	01-400001-01856	Cover – Interior Bellows.....	1
22	01-400001-01858	Guide – Seal Bar .....	1
23	WS-022-21	Washer.....	2
24	SC-041-07	Cap Screw 1/4-20 x 1 1/2 Hex Hd. (SST) .....	2
25	SC-126-59	Mach. Screw 1/4-20 x 1 1/4 Hex Hd. (SST) .....	2
26	SC-041-07	Cap Screw 1/4-20 x 1 1/2 Hex Hd. (SST) .....	2
27	WS-022-21	Washer.....	1
28	01-400001-01858	Guide – Seal Bar .....	1
29	SC-040-97	Cap Screw 1/4-20 x 1 3/4 Hex Socket Hd.....	3
	01-400005-00565	Seal Bar Assy. With Support (Incls. items 3 thru 29) .....	2

\* Sold per foot.



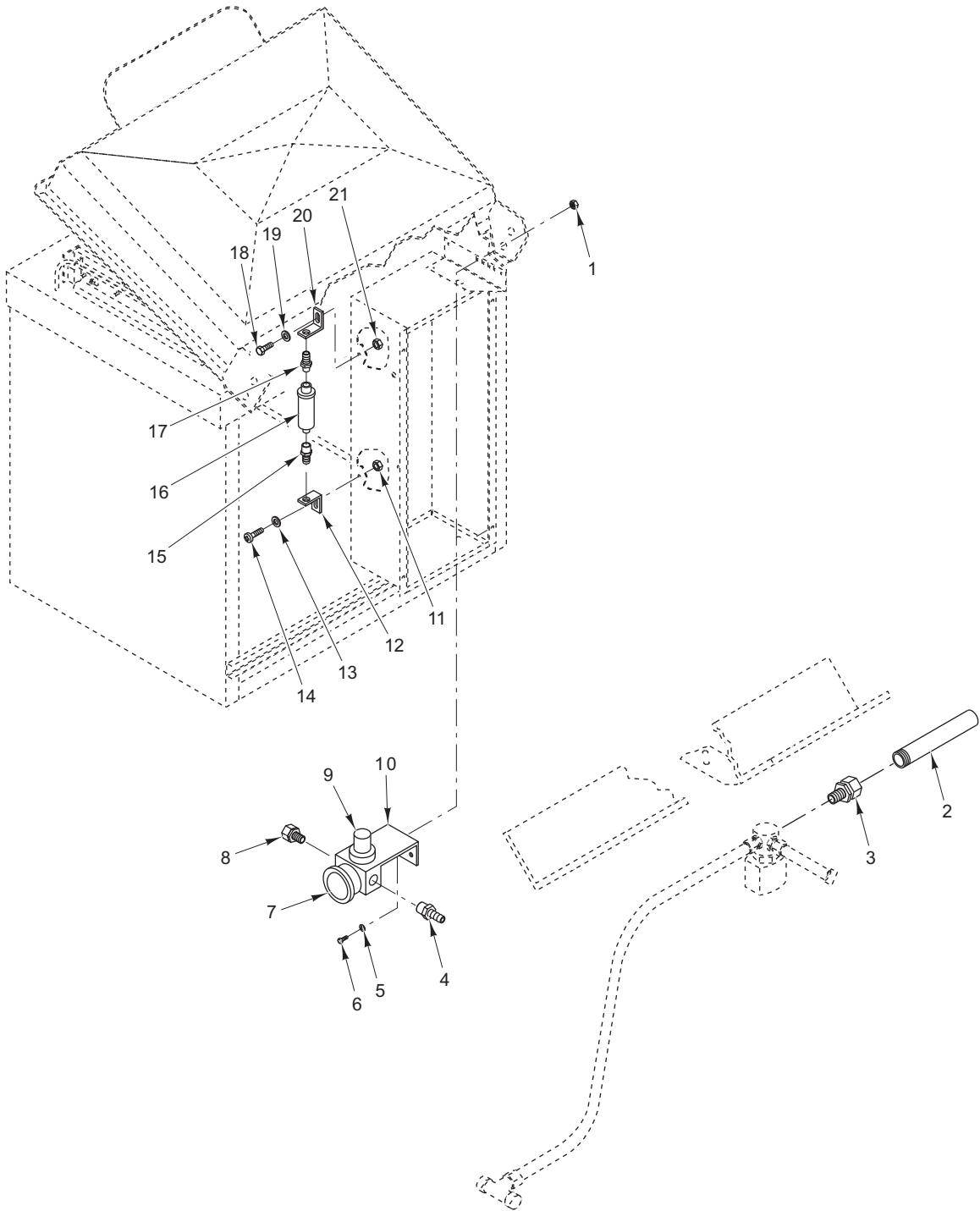
PL-59054

**GAS INJECTION**

## GAS INJECTION

ILLUS.	PART NO.	NAME OF PART	AMT.
	PL-59054		
1	01-400105-00200	Collar .....	1
*2	01-400104-00060	Hose .....	AR
3	01-400101-00065	Tee .....	1
*4	01-400104-00060	Hose .....	AR
5	WL-008-07	Lockwasher #8 Internal.....	2
6	NS-011-12	Nut 8-32 (SST).....	2
7	01-400105-00200	Collar .....	1
8	01-400106-00010	Valve – Solenoid .....	1
9	SC-120-35	Mach. Screw 8-32 x <sup>3</sup> / <sub>8</sub> Phil. Pan Hd. (SST) .....	2
10	01-400101-00036	Fitting .....	1
*11	01-400104-00060	Hose .....	AR
12	01-400105-00200	Collar .....	1
13	SC-129-49	Mach. Screw <sup>1</sup> / <sub>4</sub> -20 x <sup>1</sup> / <sub>2</sub> Hex Washer Hd. (SST).....	1
14	01-400005-00323	Insert.....	1
15	NS-046-38	Nut <sup>1</sup> / <sub>4</sub> -20 Hex (SST).....	1
*16	01-400008-00464	Tube – Gas Injection Connection.....	AR
17	01-400005-00808	Bar Assy. – Gas Injection (RH) .....	1
18	01-400005-00533	Bar Assy. – Gas Injection (LH).....	1

\* Sold per foot.



PL-59080

**AIR REGULATOR AND FILTER**

## AIR REGULATOR AND FILTER

ILLUS.	PART NO.	NAME OF PART	AMT.
	<b>PL-59080</b>		
1	NS-047-70	Lock Nut 10-24 .....	2
*2	01-400104-00060	Hose .....	AR
3	01-400101-00036	Connector – Straight $\frac{1}{4} \times \frac{3}{8}$ .....	1
4	01-400101-00200	Hose Barb – Straight ( $\frac{1}{4}$ In. MNPT x $\frac{1}{4}$ Hose) .....	1
5	WS-031-61	Washer (SST) .....	2
6	SC-126-52	Mach. Screw 10-24 x 1 Hex Hd. (SST) .....	2
7	01-400114-00245	Gauge – Pressure .....	1
8	01-400101-00036	Connector – Straight $\frac{1}{4} \times \frac{3}{8}$ .....	1
9	01-400114-00147	Regulator – Pressure .....	1
10	01-400114-00170	Support – Pressure Regulator .....	1
11	NS-018-01	Jam Nut $\frac{1}{4}$ -20 Hex (SST) .....	1
12	01-400001-02062	Support – Dryer .....	1
13	WS-022-21	Washer .....	1
14	SC-129-49	Mach. Screw $\frac{1}{4}$ -20 x $\frac{1}{2}$ Hex Washer Hd. (SST) .....	1
15	01-400101-00210	Hose Barb – Straight ( $\frac{1}{4}$ In. FNPT x $\frac{1}{4}$ Hose) .....	1
16	01-400114-02020	Filter – Dryer .....	1
17	01-400101-00200	Hose Barb – Straight ( $\frac{1}{4}$ In. MNPT x $\frac{1}{4}$ Hose) .....	1
18	SC-115-60	Mach. Screw $\frac{1}{4}$ -20 x $\frac{1}{2}$ Phil. Pan Hd. ....	1
19	WS-022-21	Washer .....	1
20	01-400001-02062	Support – Dryer .....	1
21	NS-018-01	Jam Nut $\frac{1}{4}$ -20 Hex (SST) .....	1

\* Sold per foot.

