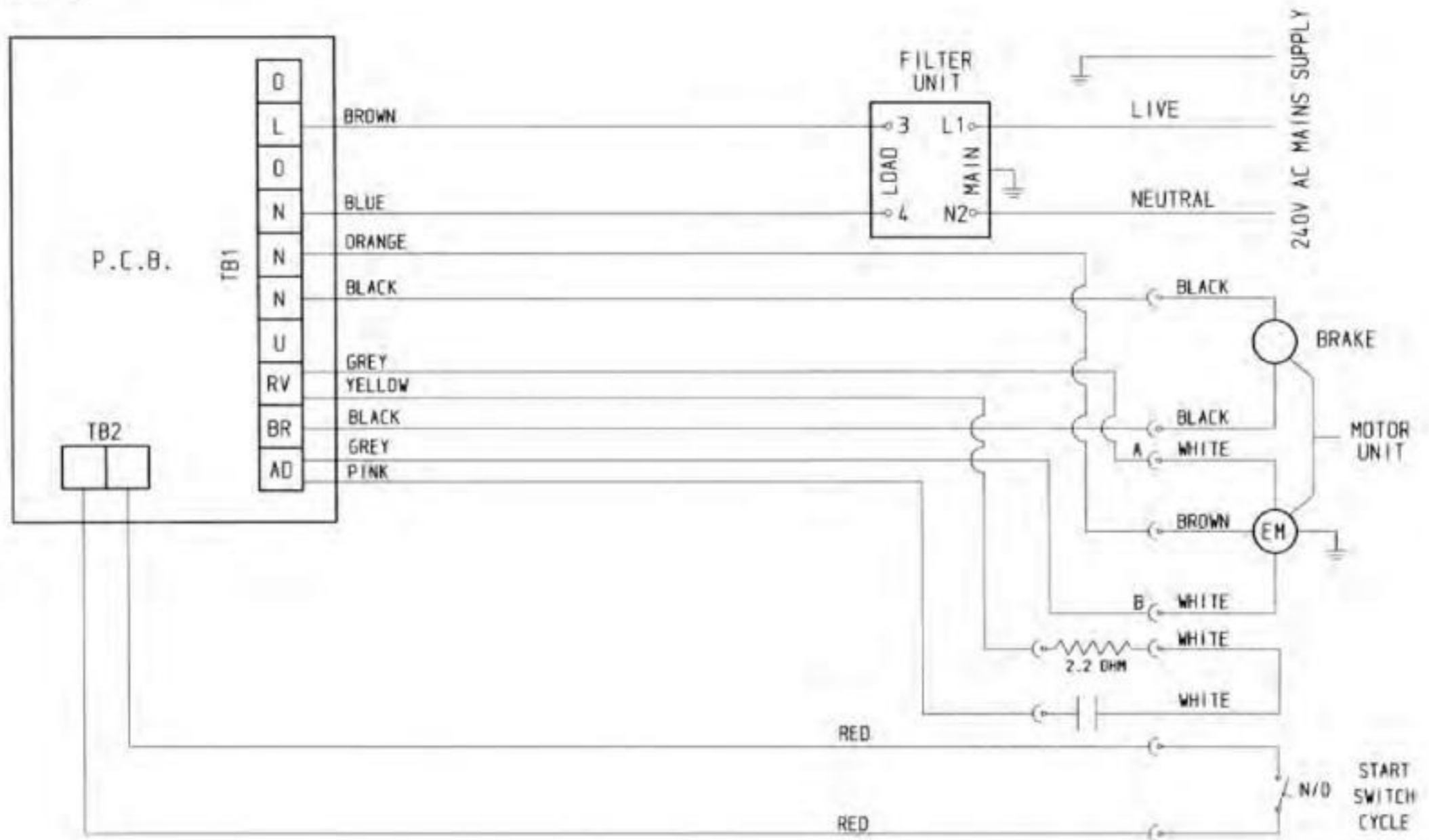



IF IN ANY DOUBT - ASK



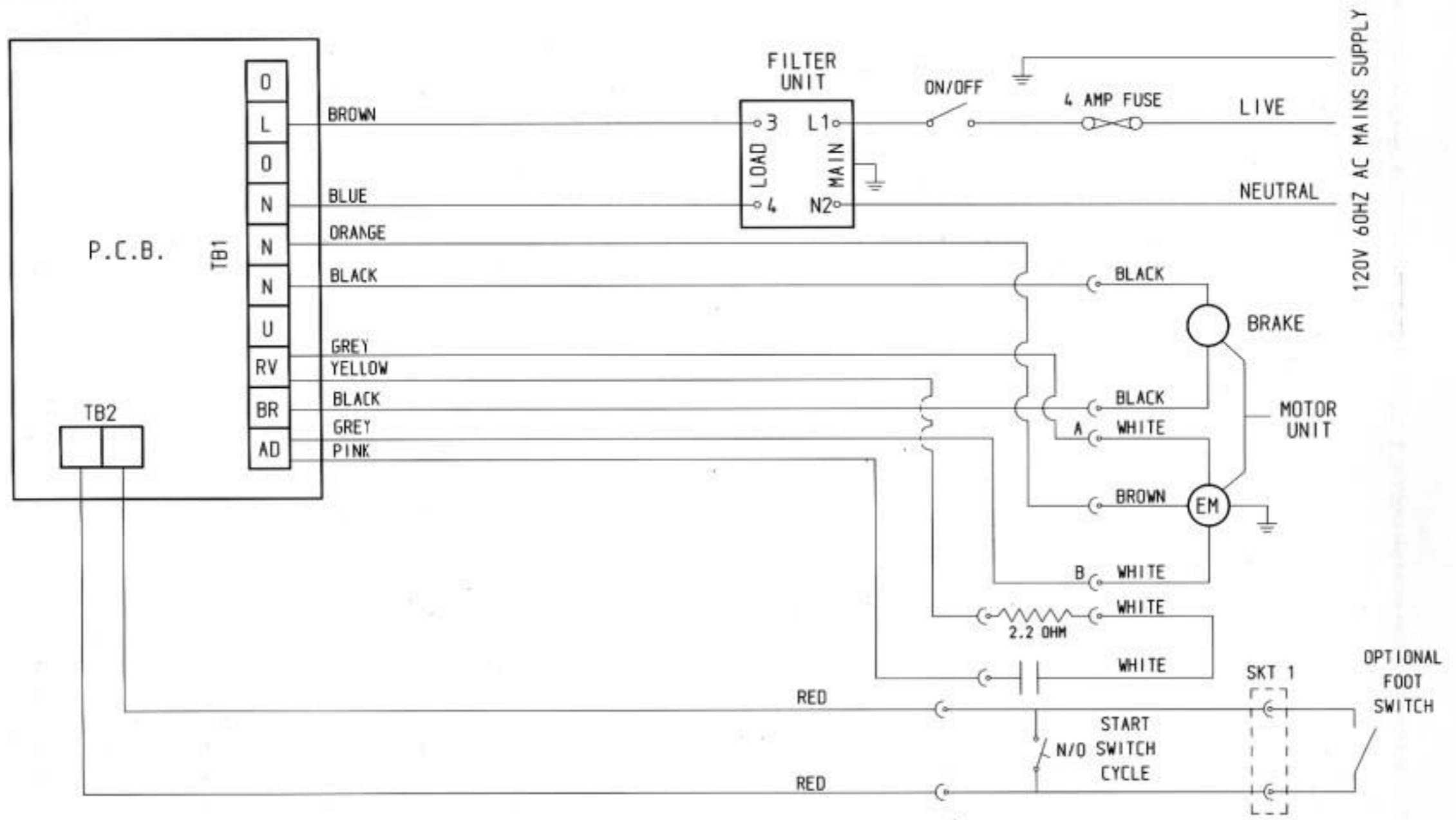
IF ROTATION INCORRECT INTERCHANGE
CONNECTORS A & B

REDRAWN DN (AB 14-2-2000 J.C.

B	SP	25-1-96	FILTER UNIT ADDED	6039
A	WD	11-4-90	RESISTOR ADDED	3150
REV	SIG	DATE	REVISION	ECN NO.

 MOND EQUIPMENT QUEENSWAY SWANSEA WEST IND PARK SWANSEA, SA5 4EB. TEL: (01792) 581234 FAX: (01792) 561016	TITLE: AUTO JAMMER WIRING DIAGRAM		
	ELECTRICAL SPECIFICATIONS:- DRAWN: A.DAVID	ELECTRICALLY APPROVED BY:- P.BOYLES	
	DATE: 25-1-89	DRAWING NO. M053E01D05900	REV: B

IF IN ANY DOUBT - ASK



120V 60HZ AC MAINS SUPPLY

IF ROTATION INCORRECT INTERCHANGE
CONNECTORS A & B

REDRAWN ON CAD 14-2-2000 J.C.

COPYRIGHT © 1998 - THIS DESIGN/DRAWING IS THE PROPERTY OF MONO EQUIPMENT LTD. AND MUST NOT BE REPRODUCED, COPIED, NOR ITS CONTENTS DIVULGED WITHOUT PRIOR WRITTEN PERMISSION.

REV	SIG	DATE	REVISION	ECN NO.
		MONO EQUIPMENT QUEENSWAY SWANSEA WEST IND PARK SWANSEA, SA5 4EB. TEL: (01792) 661234 FAX: (01792) 661016		TITLE: AUTO JAMMER WIRING DIAGRAM
ELECTRICAL SPECIFICATIONS:- 120V 60HZ 1 PHASE		DRAWN: J. CROSS	ELECTRICALLY APPROVED BY:- A. THOMAS	
		DATE: 22-8-14	DRAWING NO. 053E25-00100	REV: -