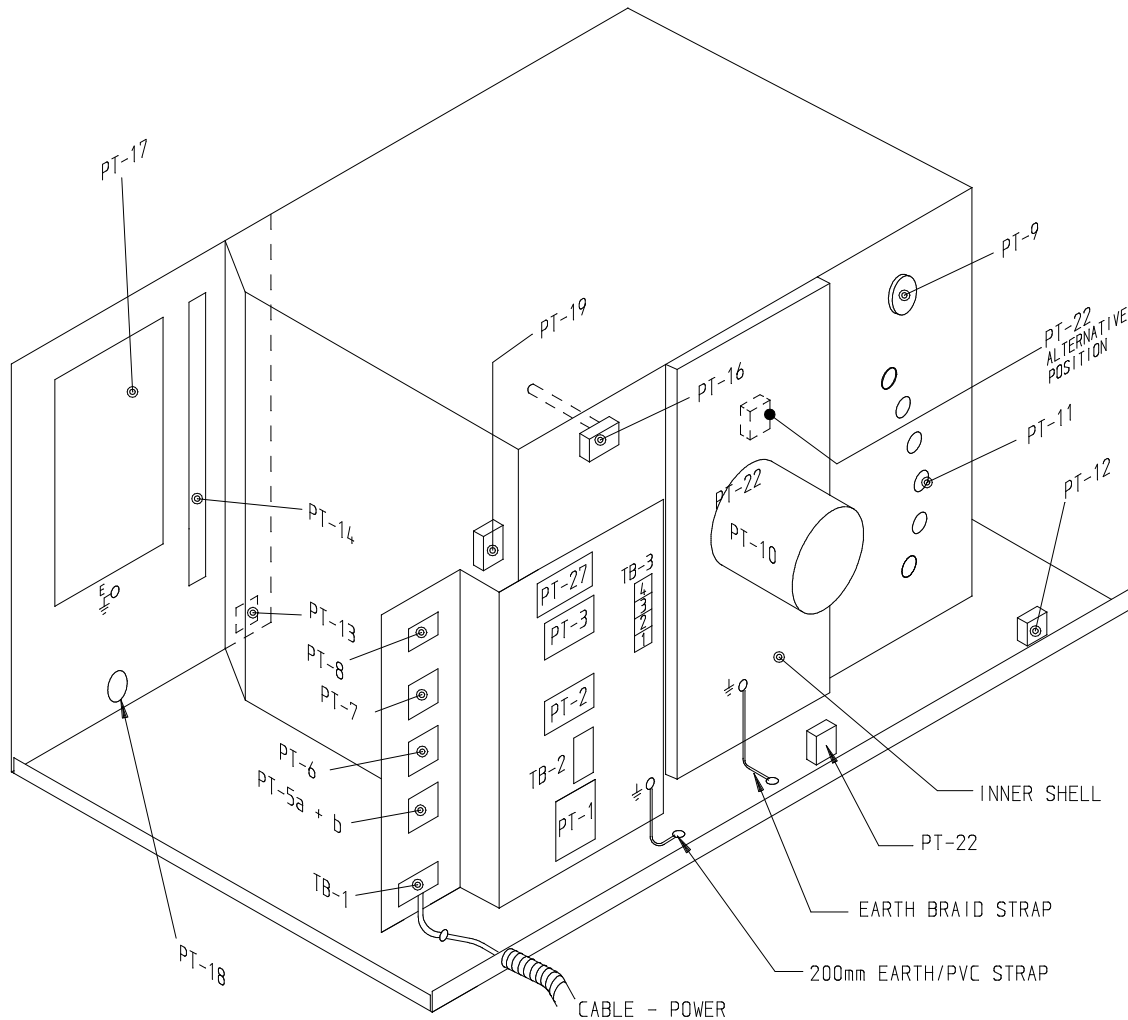



IF IN ANY DOUBT - ASK



DRAWING PT-Ref	DESCRIPTION	MONO PART NUMBER
PT-1	24V DC POWER SUPPLY UNIT	B801-93-043
PT-2a	INTERIOR LIGHT RELAY	B723-37-004
PT-2b	INTERIOR LIGHT RELAY BASE	B723-36-001
PT-3	CONTROL CIRCUIT M.C.B.	B872-22-118
PT-5a	FAN MOTOR OVERLOAD UNIT	B801-03-023
PT-5b	FAN MOTOR OVERLOAD AUXILIARY CONTACT	B801-14-012
PT-6	FAN MOTOR FORWARD CONTACTOR	B801-08-031
PT-7	FAN MOTOR REVERSE CONTACTOR	B801-08-031
PT-8	HEATING ELEMENT CONTACTOR	B801-08-022
PT-9	{ DAMPER SOLENOID (L/H) USE ON R/H HINGED OVEN DAMPER SOLENOID (R/H) USE ON L/H HINGED OVEN	{ B749-83-003 B749-83-004
PT-10	FAN MOTOR UNIT	B720-74-005
PT-11	HEATING ELEMENT	B847-04-070
PT-12	4T WATER INLET ASSY	158-17-00300
PT-13	DOOR SWITCH	B842-07-037
PT-14	INTERIOR LIGHT UNIT (DOOR)	B855-94-010
PT-16	THERMOCOUPLE	B873-95-002
PT-17	PCB ASSY	M158-25-80000
PT-18	MAIN ON/OFF SWITCH HOUSING LENSE	B836-07-009 B836-18-004 B836-18-005
PT-19	REAR FAN UNIT	B869-75-018
PT-22	OVERHEAT THERMOSTAT	B888-30-015
PT-27	FAN FUSE	B842-85-025

REV	SIG	DATE	REVISION	ECN
 SWANSEA IND EST. FFORESTFACH, SWANSEA. SA5 4EB. TEL: (01792) 561234 FAX: (01792) 561016 Email: 100432.505@compuserve.com			TITLE: ELECTRICAL COMPONENTS LAYOUT ECOTOUCH 4 TRAY OVEN UL APPROVED	
208-220V 3PH+E 60Hz			DRAWN: JC/RAC	ELECTRICALLY APPROVED BY:- A. THOMAS
			DATE: 05/03/21	DRAWING NO. M189E25-05500
				REV: --