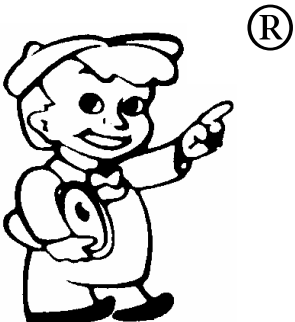


B<sup>®</sup>  
U  
T  
C  
H  
E  
R  
B  
O  
Y

# OPERATION MANUAL

MUST BE READ AND UNDERSTOOD BY ANYONE  
USING THIS SAW

## SA16 LH STAINLESS STEEL BAND SAW



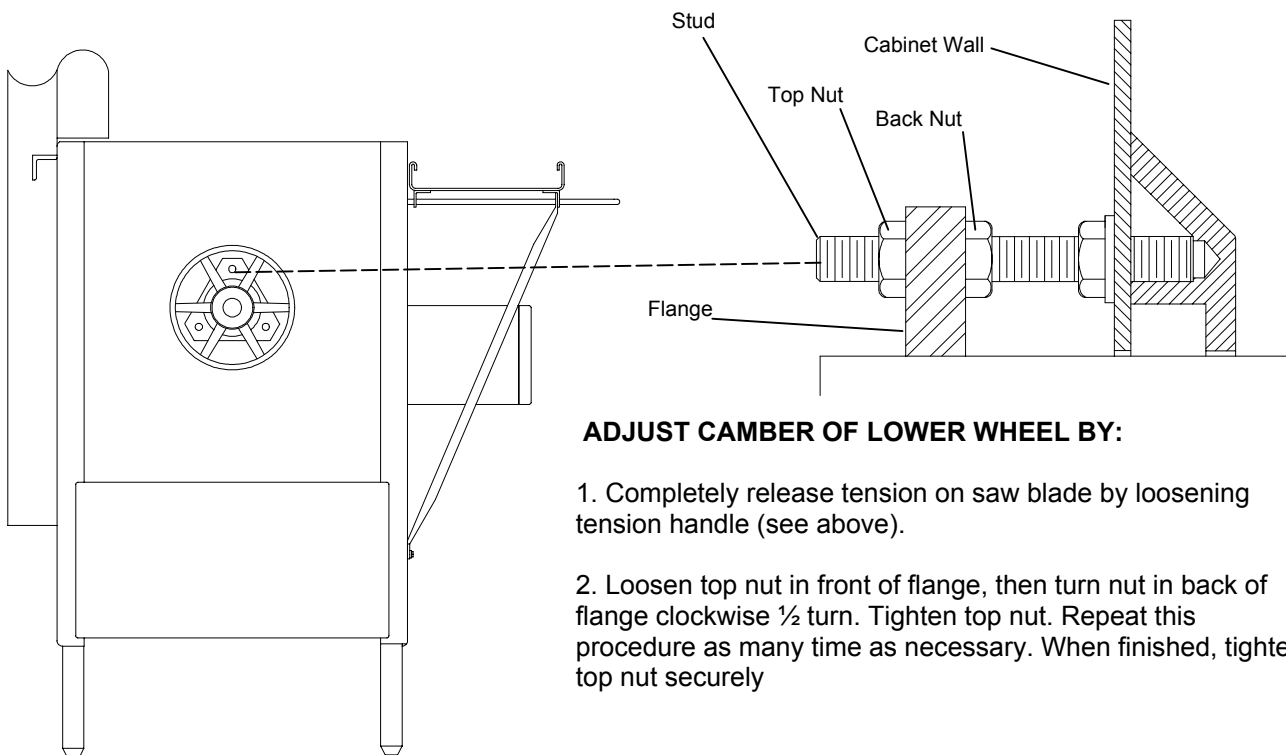
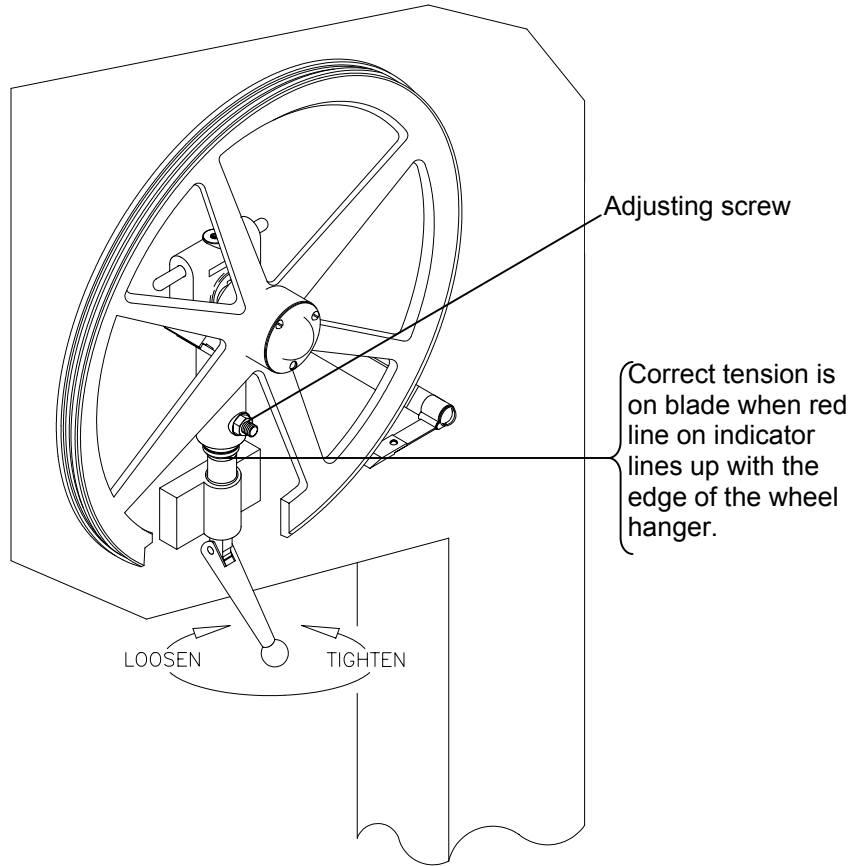
AMERICAN MEAT EQUIPMENT LLC.  
640 MULBERRY AVE  
SELMER, TN. 38375  
PHONE: (731) 434-1012  
FAX: (731) 645-6056

# BUTCHER BOY SA16 STAINLESS STEEL BAND SAW

## WARNING

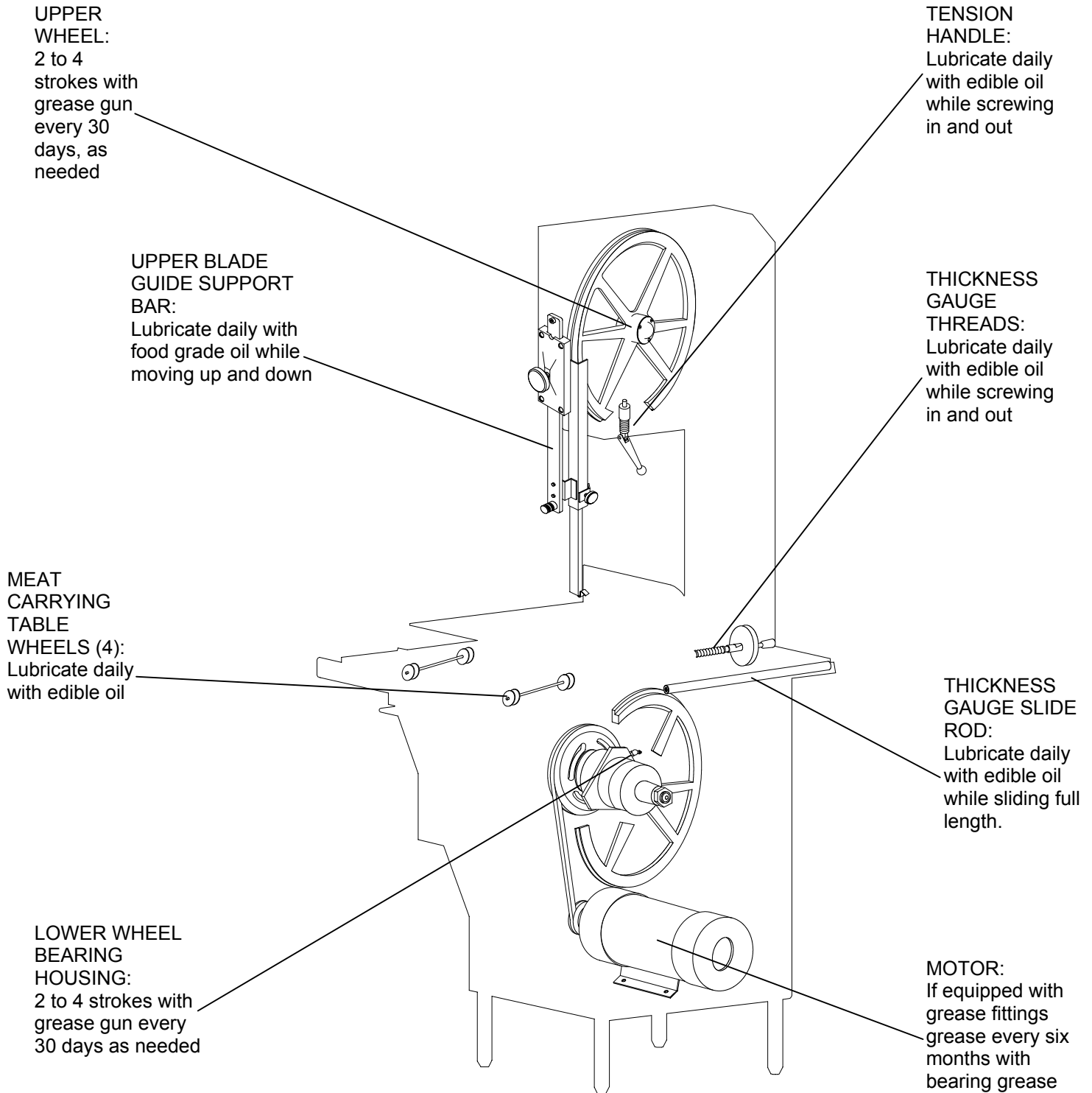
NEVER TIGHTEN BLADE BEYOND RED INDICATOR LINE.

BLADE BREAKAGE, SHORTENED BEARING LIFE AND SHAFT BREAKAGE MAY OCCUR.



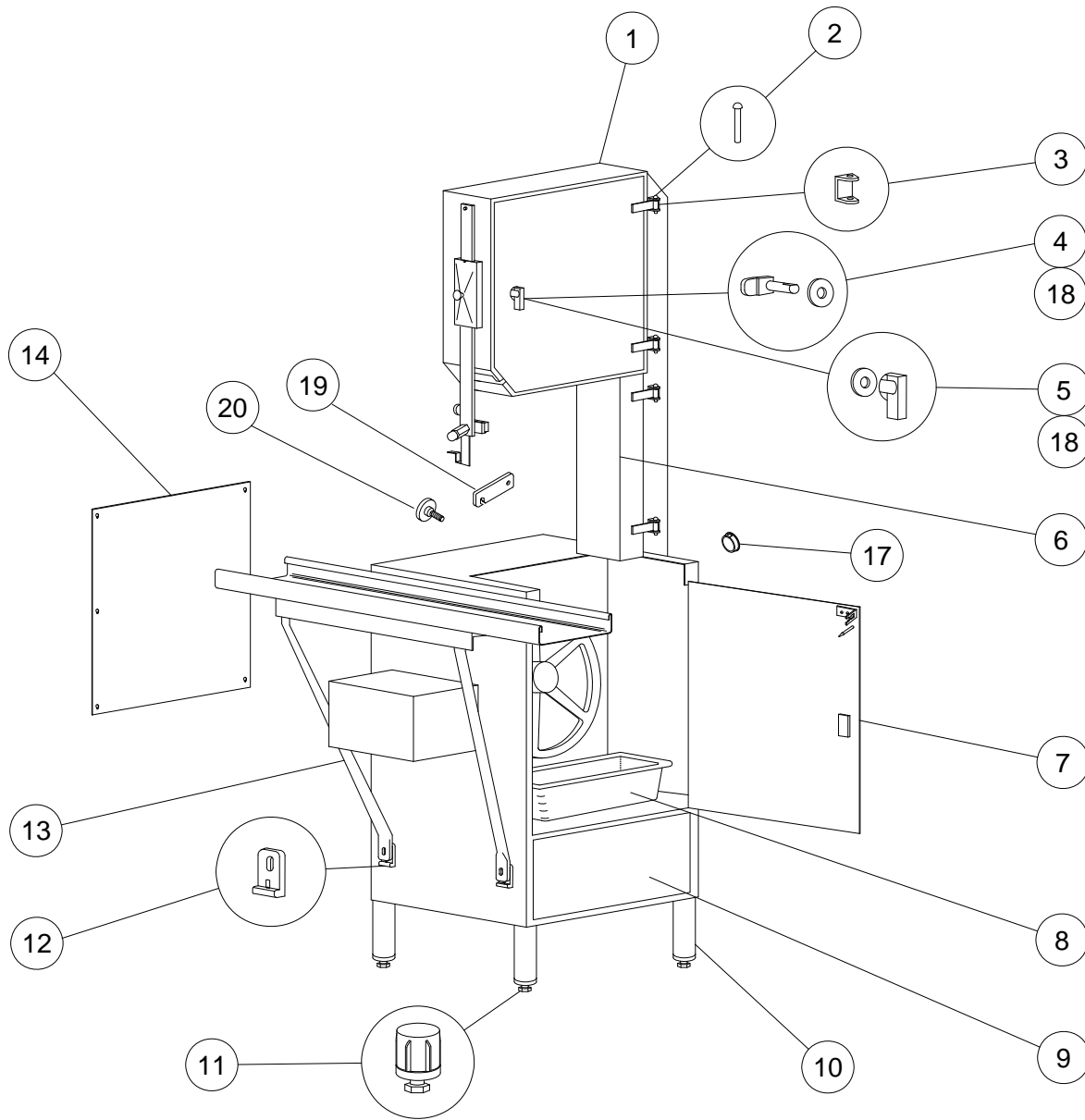
# BUTCHER BOY SA16 STAINLESS STEEL BAND SAW

## LUBRICATION INSTRUCTIONS



After washing and sanitizing spray entire saw (interior and exterior) with food grade white oil.

# BUTCHER BOY SA16 LH STAINLESS STEEL BAND SAW

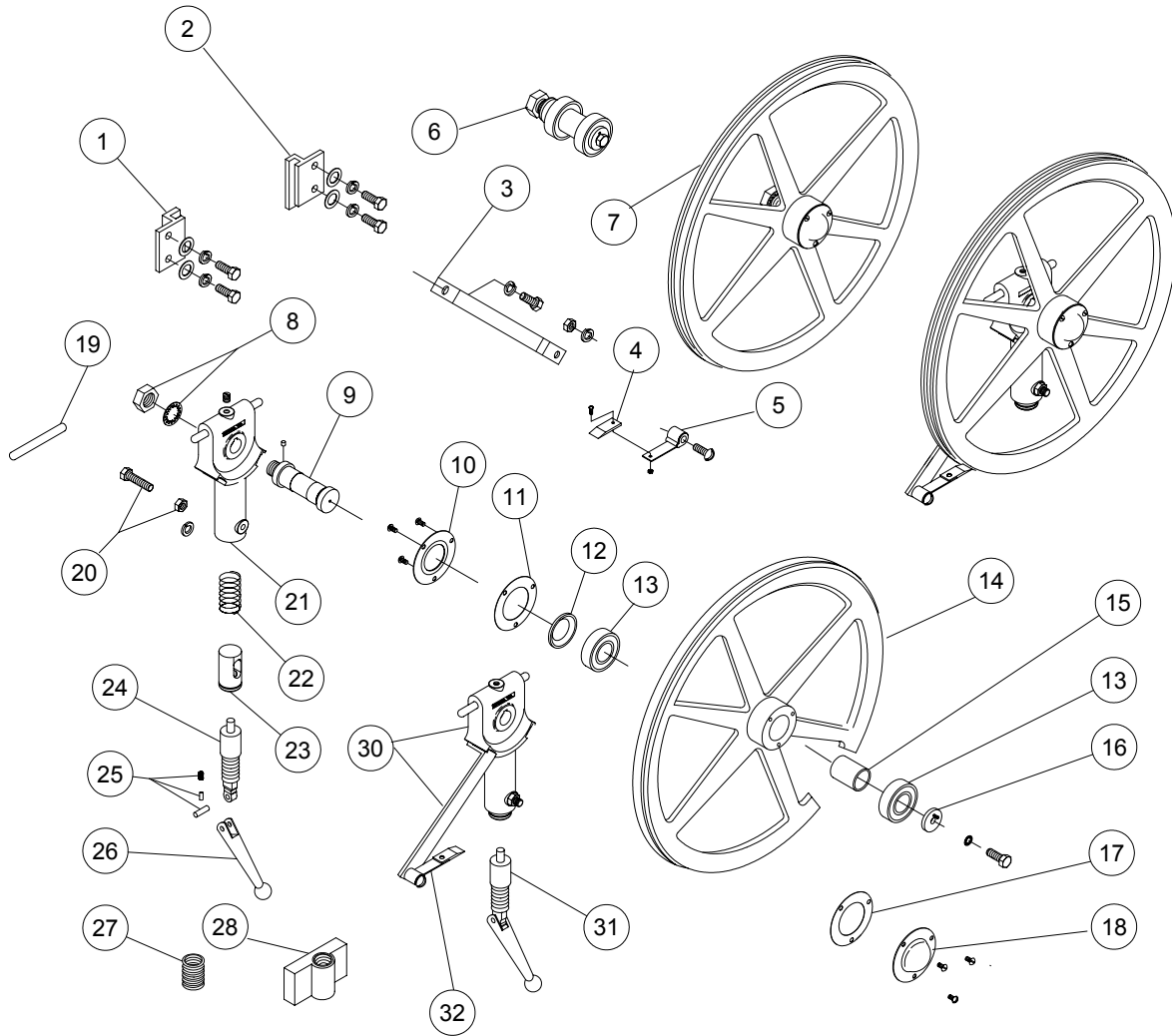


ITEM	PART#	DESCRIPTION	USE
1	00160635	UPPER DOOR ASSY	1
2	0010581	S/S HINGE PIN	6
3	0010571	S/S HINGE	6
4	0010650	S/S LATCH ASSY	2
5	0010401	DOOR HANDLE	2
6	00160770	COLUMN DOOR ASSY	1
7	00160640	LOWER DOOR ASSY	1
8	0014069	BONE BOX	1
9	0016111	MOTOR ACCESS PANEL	2
10	0010307	LEG & FOOT ASSY	4

ITEM	PART#	DESCRIPTION	USE
11	0059390	FOOT ASSY	4
12	0010260	BRACE ADJUST BRACKET	2
13	0010014	BRACE	2
14	0016106	LOWER ACCESS PANEL	1
15			
16			
17	0093695	PLUG	1
18	0090602	RUBBER WASHER	4
19	00160769	LATCH LH COLUMN DOOR	
20	0095084	KNOB LH COLUMN DOOR	

# BUTCHER BOY SA16 LH STAINLESS STEEL BAND SAW

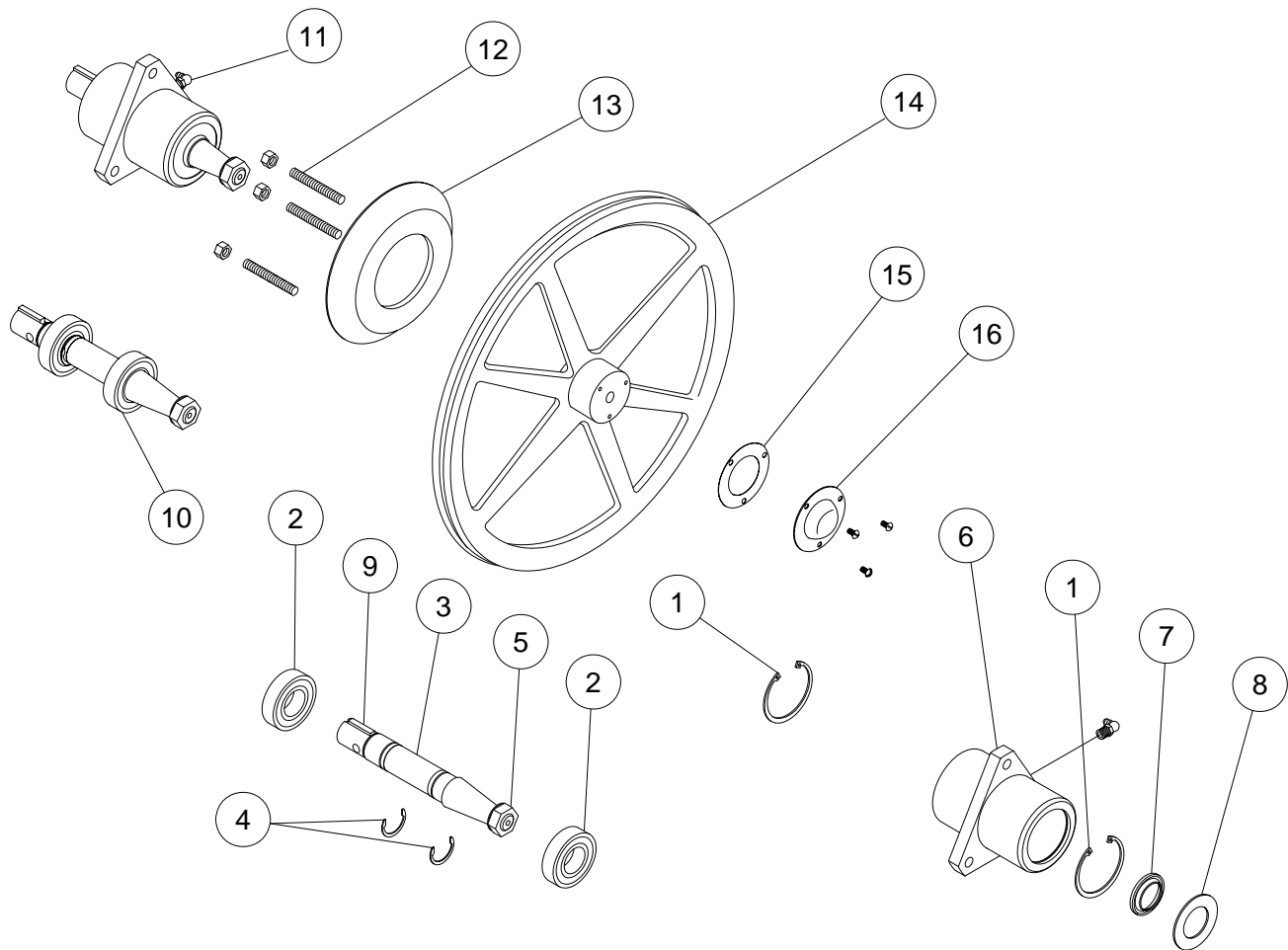
## LH UPPER WHEEL ASSEMBLY COMPONENTS



ITEM	PART#	DESCRIPTION	USE	ITEM	PART#	DESCRIPTION	USE
1	0010283	GUIDE BLOCK LH	1	18	0010031	HUB CAP	1
2	0010282	GUIDE BLOCK RH	1	19	0016034	GUIDE PIN TENSION GAUGE	1
3	0016511	SCRAPER ARM	1	20	0016175	ADJUSTING SCREW & NUT	1
4	0010040	FIBER SCRAPER	1	21	0010730	UPPER HANGER	1
5	0010277	SCRAPER SPRING	1	22	0010082	TENSION SPRING	1
6	0010574	UPPER SHAFT & BEAR. ASSY	1	23	0010056	INDICATOR	1
7	0016039	16 LH UPPER WHEEL & SHAFT ASSY	1	24	0010033	ADJUSTIN SCREW	1
8	0010770	WHEEL SHAFT NUT AND WASHER	1	25	0016093	PINS & SPRING ASSY	1
9	0010150	UPPER SHAFT W/NUT & WASHER	1	26	0019060	TENSION HANDLE	1
10	0010030	BEARING RETAINER	1	27	0010034	THREADED INSERT	1
11	0010127	GASKET	2	28	0016624	GAUGE BLOCK INSERT	1
12	0090400	RUBBER SEAL	1	29	0016028	BLADE TENSION ASSY LH	1
13	0090302	BEARING	2	30	0016062	HANGER & ARM ASSY LH	1
14	0016324	16" LH UPPER WHEEL	1	31	0016089	TENSION HANDLE ASSY	1
15	0010258	BEARING SAPCER	1	32	0010377	WHEEL SCRAPER ASSY	1
16	0010121	RETAINER & SCREW ASSY	1	33	0016206	16 LH UPPER WHEEL & HANGER	1
17	0010127	GASKET	2				

# BUTCHER BOY SA16 LH STAINLESS STEEL BAND SAW

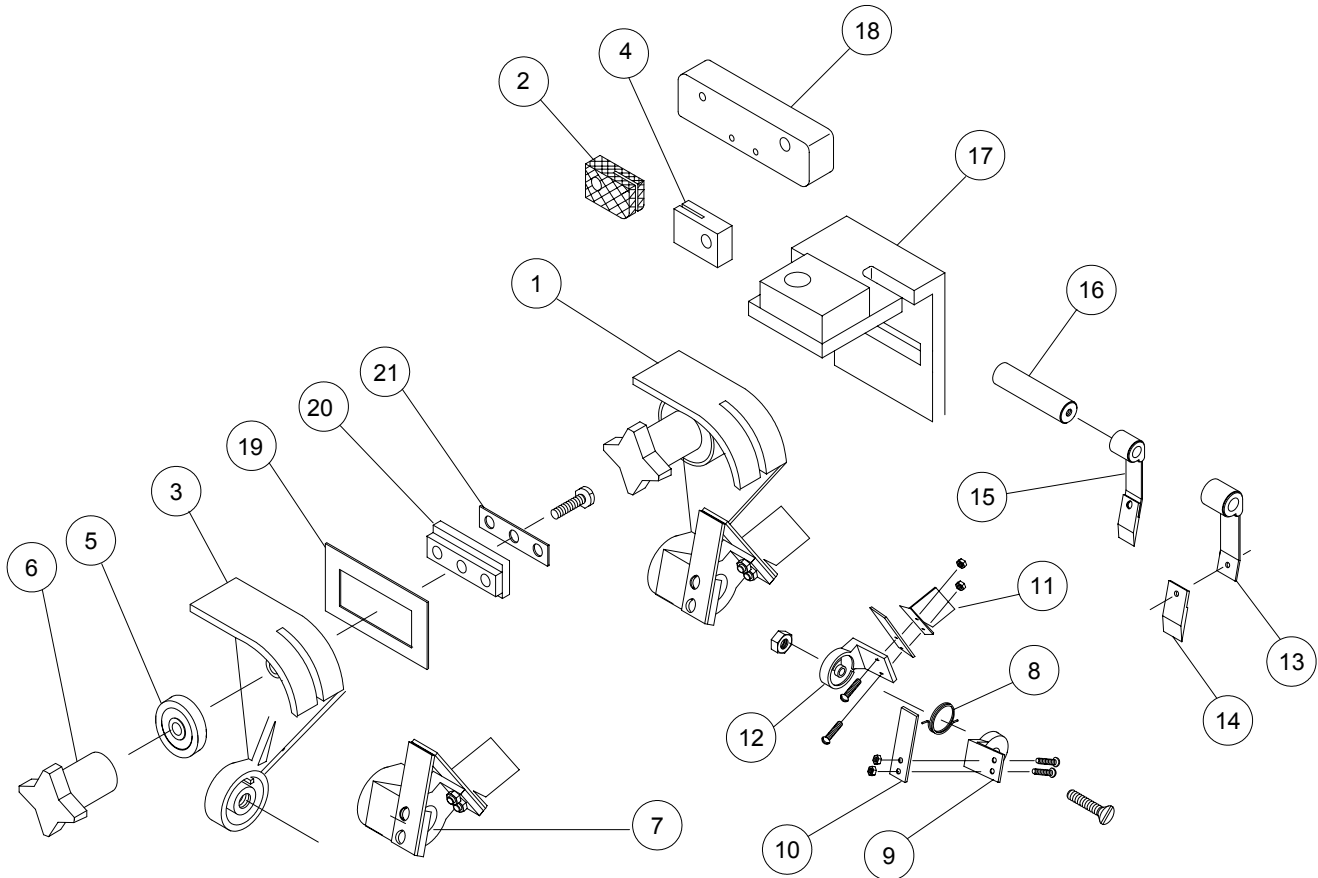
## LH LOWER WHEEL AND BEARING HOUSING



ITEM	PART#	DESCRIPTION	USE
1	0090200	RETAINING RING (LARGE)	2
2	0090300	BEARING	2
3	0010023	SHAFT ASSY W/ WASH & NUT	1
4	0090201	RETAINING RING (SMALL)	2
5	0010770	NUT & WASHER FOR SHAFT	1
6	0010024	BEARING HOUSING	1
7	0090400	RUBBER SEAL	1
8	0010029	SPECIAL SEAL	1
9	000059247-8	KEY SHAFT	1
10	0010575	LOWER SHAFT & BEARING ASSY	1
11	0010025	LOWER SHAFT & HOUSING ASSY	1
12	0010078	STUD	3
13	0010077	BEARING HOUSING SUPPORT	1
*14	0016325	LOWER WHEEL 16 LH	1
15	0010127	GASKET	1
16	0010031	HUB CAP	1

# BUTCHER BOY SA16 LH STAINLESS STEEL BAND SAW

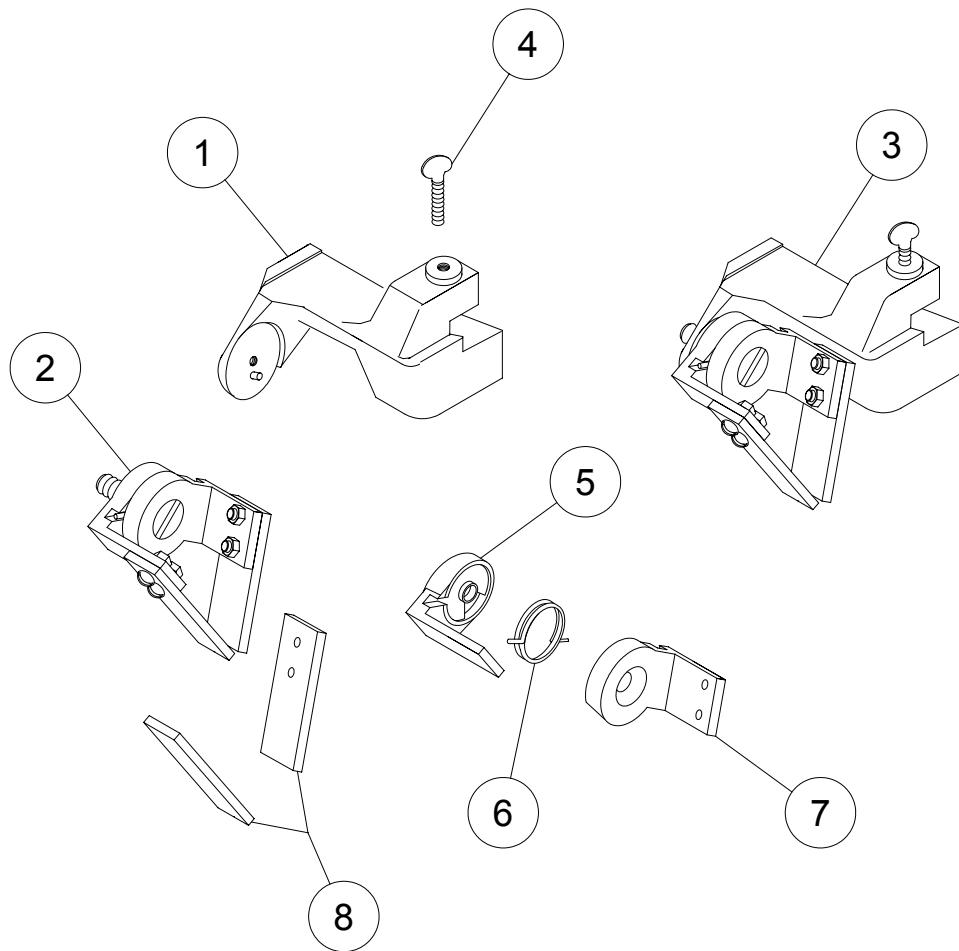
## REAR BLADE SCRAPER



ITEM	PART#	DESCRIPTION	USE
1	0010405	LH FRONT SCRAPER ASSY	1
2	0010036	LH FIBER BLADE BLOCK	1
2	0010036P	LH PLASTIC BLADE BLOCK	1
3	0010305	LH BLADE SCRAPER HOLDER	1
4	0010002	LOWER BLADE GUIDE STD (.30)	1
4	0020785	LOWER BLADE GUIDE HS (.30)	1
4	0020786	LOWER BLADE GUIDE HS (.018)	1
5	0090301	BALL BEARING	1
6	0010418	KNOB	1
7	0010464	BLADE SCRAPER ASSEMBLY	1
8	0010199	SPRING	1
9	0010302	SCRAPER HOLDER	1
10	0010310	SCRAPER S/S	2
11	0010197	DEFLECTOR	1
12	0010301	SCRAPER HOLDER	1
13	0010040	SCRAPER SPRING	1
14	0010277	WHEEL FIBER SCRAPER	1
15	0010377	SPRING & SCRAPER ASSY	1
16	0010436S	S/S SCRAPER BLADE & GUIDE BLOCK	1
17	00160765	LH FRONT MOUNTING BRACKET	1
18	0010378S	S/S SPACER BLOCK	1
19	0010417S	S/S SPACER	1
20	0010416	POSITIONING BLOCK	1
21	0010412S	S/S WASHER	1

# BUTCHER BOY SA16 LH STAINLESS STEEL BAND SAW

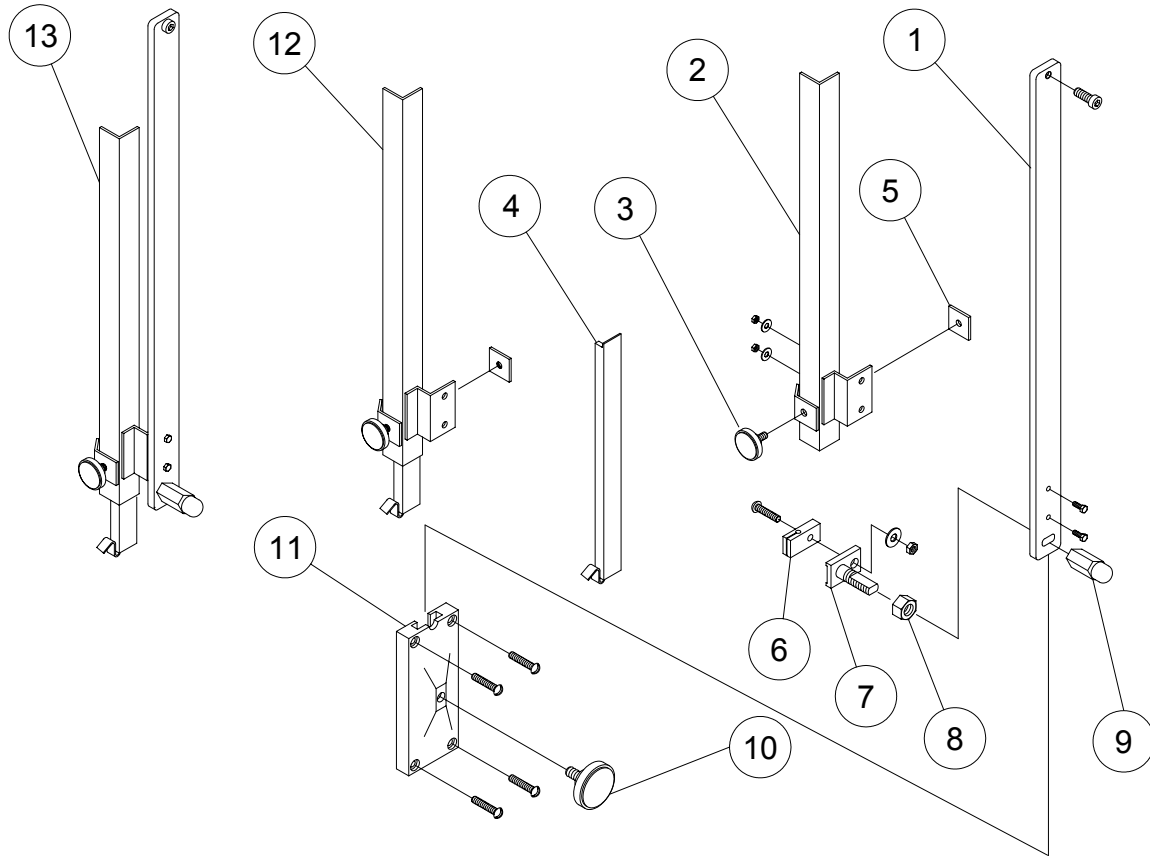
## REAR BLADE SCRAPER



ITEM	PART#	DESCRIPTION	USE
1	00160617	SCRAPER MOUNT	1
2	0010460	BLADE SCRAPER ASSEMBLY	1
3	00160618	REAR SCRAPER ASSEMBLY	1
4	0010303	THUMB SCREW	1
5	0010302	SCRAPER HOLD	1
6	0010199	SPRING	1
7	0010301	SCRAPER HOLDER	1
8	0010300	FIBER SCRAPER	2

# BUTCHER BOY SA16 LH STAINLESS STEEL BAND SAW

## SA16 LH BLADE GUARD

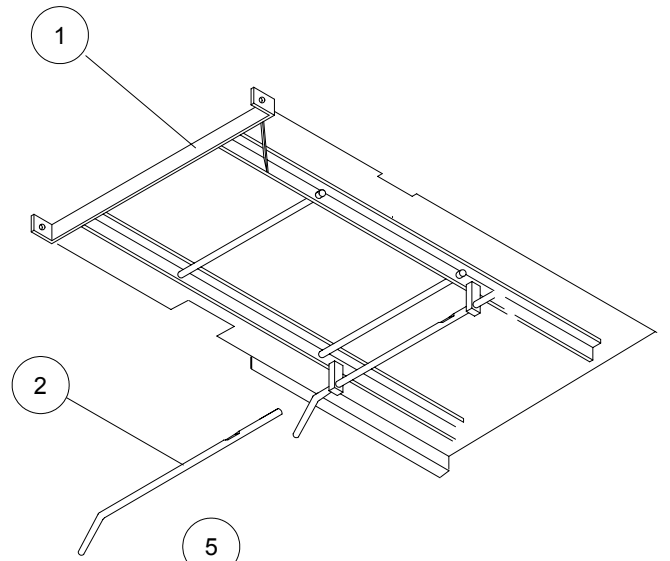
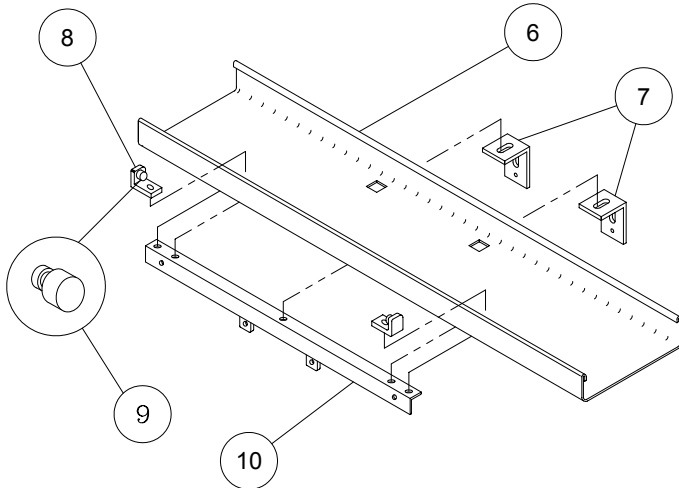


ITEM	PART#	DESCRIPTION	USE
1	00160695	BLADE SUPPORT ADJ BAR 26"	1
2	0020624	BLADE GUARD ASSY LH	1
3	0095084	KNOB	1
4	00160664	BLADE GUARD EXTENSION LH	1
5	0010714	EXTENSION STOP	1
6	0020785	BLADE GUIDE .030 CARBINE	1
6	0020786	BLADE GUIDE .018 CARBINE	1
7	0020782	HOLDER	1
8	0020788	LOCK NUT	1
9	0002789	HAND GRIP HEX NUT	1
10	0090600	KNOB	1
11	0020779	BLADE SUPPORT BAR GUIDE	1
12	0020921	BLADE GUARD ASSY W/EXT LH	1
13	0020770	BLADE GUARD ASSY RH W/26" LG BAR	1

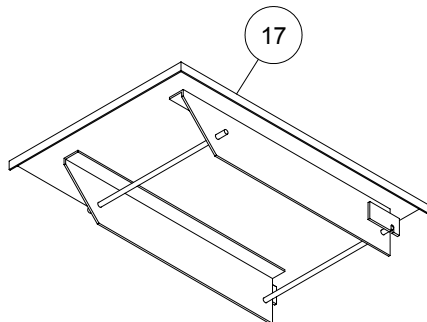
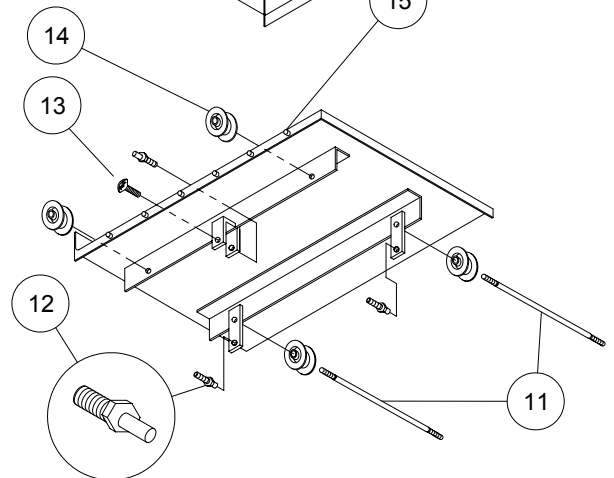
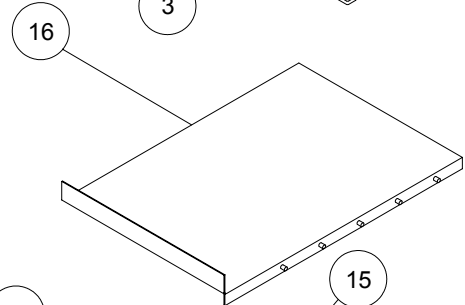
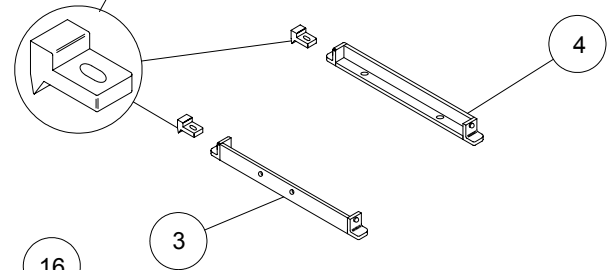


# BUTCHER BOY SA16 LH STAINLESS STEEL BAND SAW

## SA16 LH TABLES AND SUPPORT

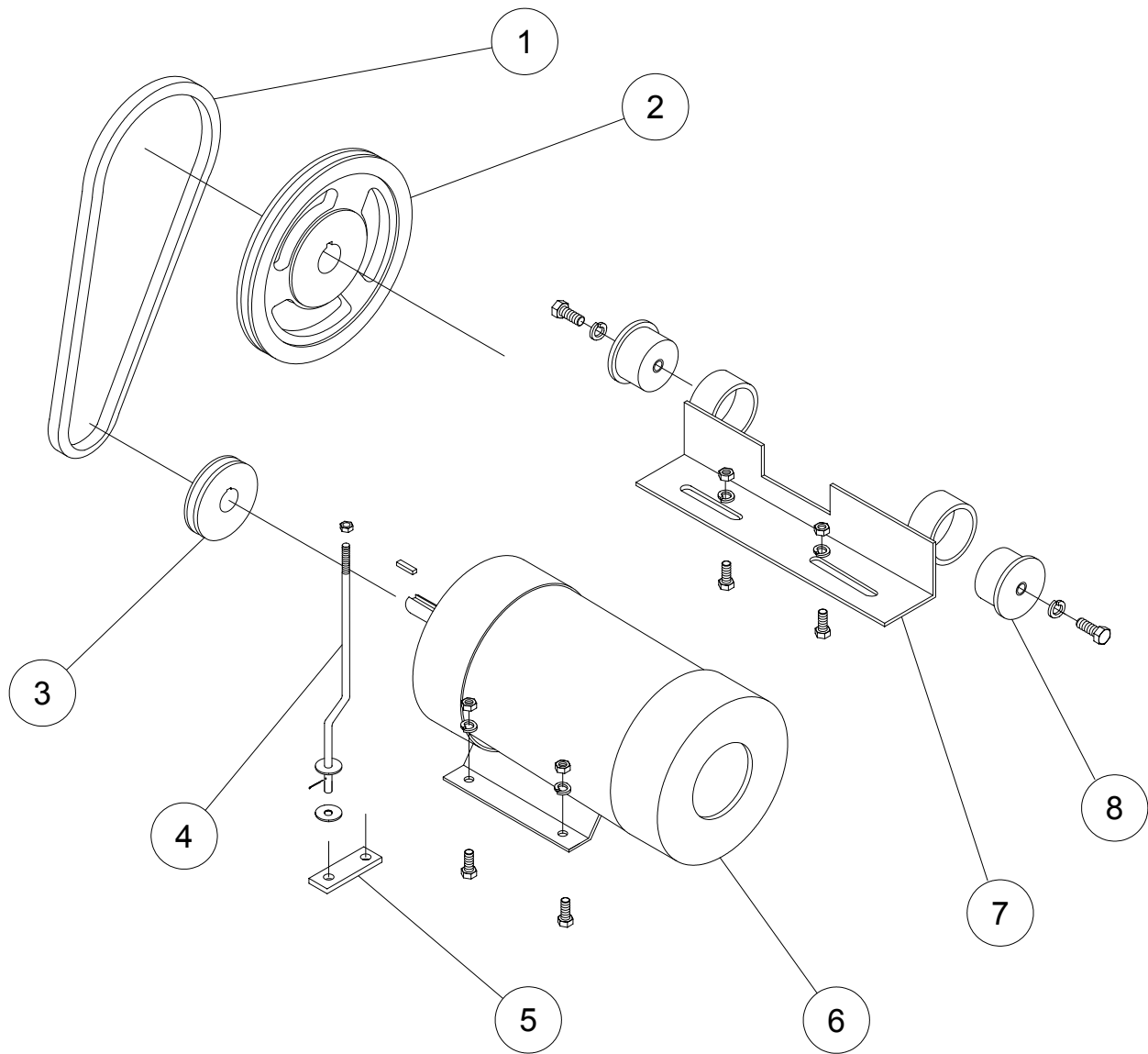


ITEM	PART#	DESCRIPTION	USE
*1	00160775	LH STATIONARY TABLE ASSY	1
2	00165060	TABLE LOCK LEVER	1
*3	0010339	LH FRONT TABLE SUPPORT	1
4	0010332	REAR TABLE SUPPORT	1
5	0010293	LEVER ADJUSTING LOCK	2
*6	00160760	LH TABLE TRACK	1
7	0010126	TABLE TRACK SUPPORT	2
8	0010037	STOP BRACKET ASSY	2
9	0080612	RUBBER STOP	1
10	0010294	ANGLE SUPPORT ASSY	1
11	0010039	TABLE WHEEL AXLE	2
12	0010098	TABLE HOLDING PIN	3
13	TS-21-16-S	THUMB SCREW	1
14	0010068	U-GROVE WHEEL	4
15	0010016	TABLE BUTTON	6
*16	0016354	LH ROLLER TABLE ASSY	1
17	0010003	EXTENSION TABLE (OPTIONAL)	1



# BUTCHER BOY SA16 LH STAINLESS STEEL BAND SAW

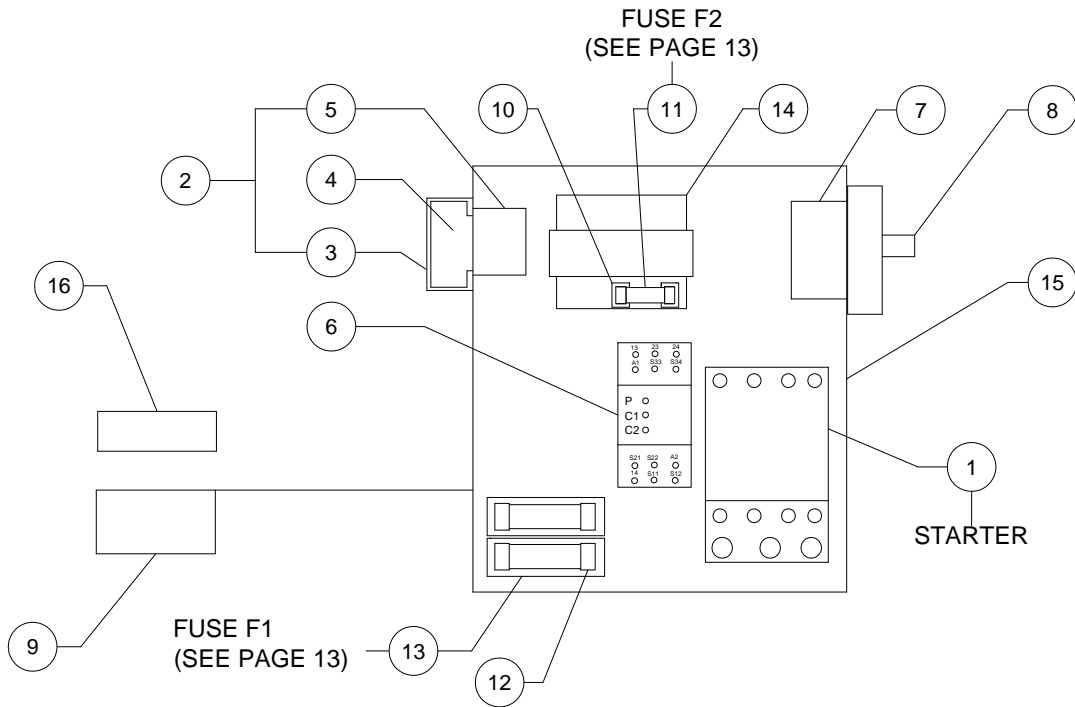
## SA16 LH DRIVE UNIT



ITEM	PART#	DESCRIPTION	USE
1	0090537	STANDARD SPEED BELT	1
1	0090513	HIGH SPEED BELT	1
2	0010485	DRIVEN PULLEY (8 3/4")	1
2	<a href="#">0090199-142</a>	DRIVEN PULLEY (6")	1
3	****	MOTOR PULLEY	1
4	0010384	TORQUE ROD ASSY	1
5	0010430	TORQUE BRACKET	1
6		MOTOR SEE PAGE 13	1
7	0010344	MOTOR MOUNT ASSY	1
8	<a href="#">0010118</a>	RUBBER MOUNT ASSY	1

MOTOR PULLEY****			
HP	VOLT	PH	PART#
1.5	115	1	0010485
2.0	208-575	3	0010485
2.0	208-230	1	0010477
3.0	208-575	3	0010477

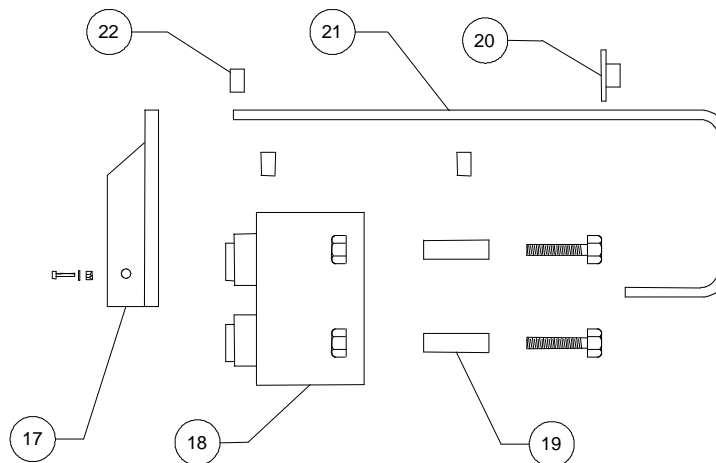
# BUTCHER BOY SA16 STAINLESS STEEL BAND SAW



ITEM	PART#	DESCRIPTION	USE
1		STARTER (SEE PAGE 13)	1
2	0093999-030	START BUTTON ASSY.	1
3	0093999-029	RUBBER BOOT	1
4	0093999-031	PUSH BUTTON	1
5	0093999-026	CONTACT BLOCK	1
6	0093999-316	EVALUATION RELAY	1
7	0093999-023	DISCONNECT SWITCH	1
8	0093999-055	SWITCH HANDLE	1
9	0093999-317	READ & ACTUATOR	2
10			

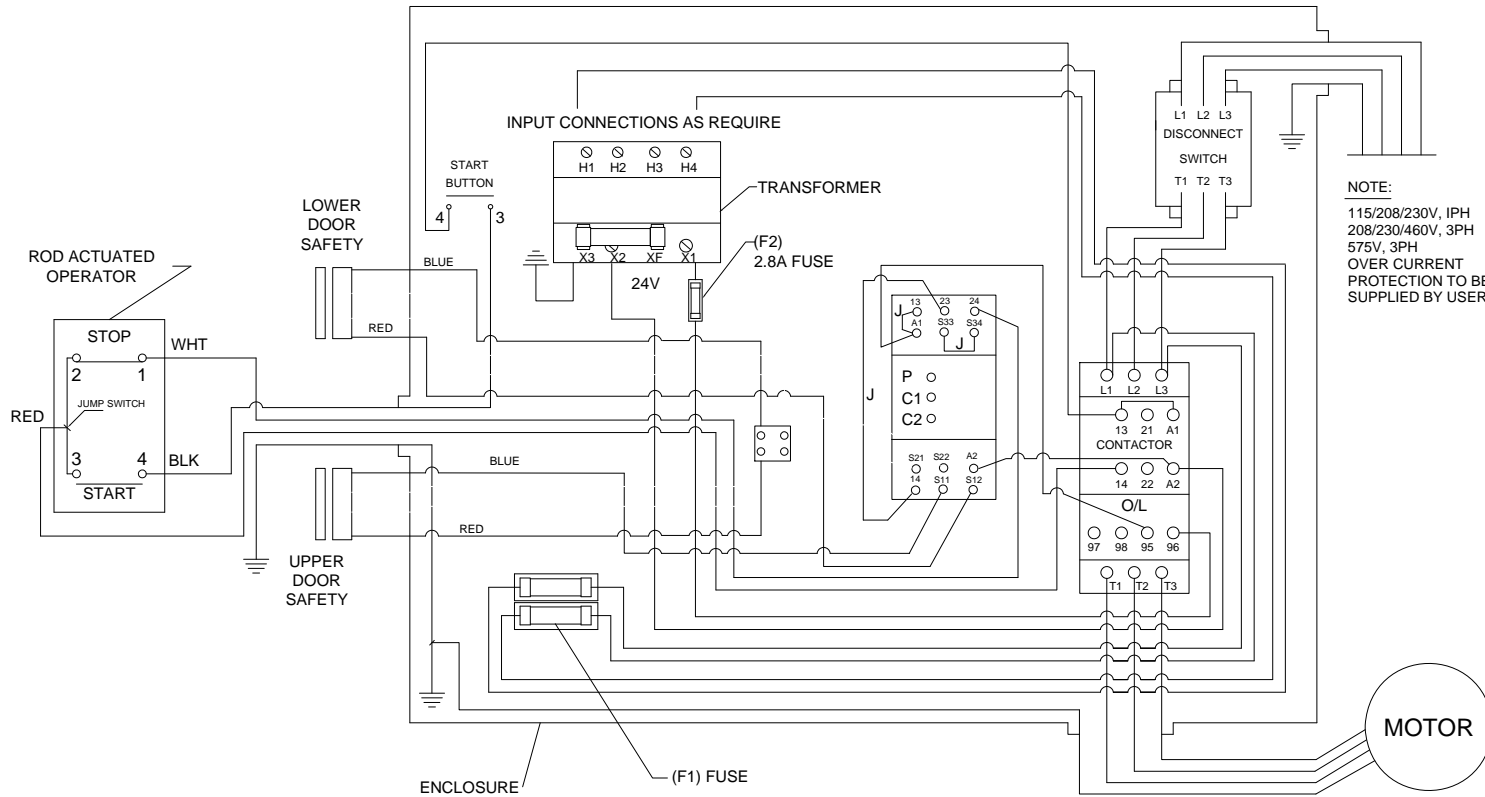
ITEM	PART#	DESCRIPTION	USE
			1
11		FUSE F2 (SEE PAGE 13)	1
12	0093999-024	FUSE HOLDER (PRIMARY)	1
13		FUSE F1 (SEE PAGE 13)	2
14	0093999-067	TRANSFORMER (115/24)	opt
14	0093999-302	TRANSFORMER (208-460/24)	1
14	0093999-068	TRANSFORMER (575/24)	opt
15	00160691	ENCLOSURE	1
16		SEE ITEM # 9	

S/N 07C0577-0N



ITEM	DESCRIPTION	PART#	USE
17	SWITCH ROCKER	0010911S	1
18	PUSH BUTTON ASM.	0093279	1
19	SPACER	0010909	2

ITEM	DESCRIPTION	PART#	USE
20	COLLAR-WASHER	0010915	1
21	SWITCH HANDLE	0010912S	1
22	COLLAR	0090606S	3



ELECTRICAL

BUTCHER BOY SA16

HP	VOLTAGE	ø	FLA	PART#	*OVERCURRENT DEVICE	**F1	PART#	***F2	PART#	STARTER
1.5	115	1	20	0092093	35A TIME DELAY FUSE	.80	0093999-066	2.8	0093999-018	0093999-105
1.5	208	1	11.2	0092093	20A TIME DELAY FUSE	.40	0093999-065	2.8	0093999-018	0093999-106
2.0	230	1	8.3	0092107	12A TIME DELAY FUSE	.30	0093999-025	2.8	0093999-018	0093999-109
2.0	208	3	7.5	0092118	12A TIME DELAY FUSE	.40	0093999-065	2.8	0093999-018	0093999-108
2.0	230	3	6.8	0092118	10A TIME DELAY FUSE	.30	0093999-025	2.8	0093999-018	0093999-108
3.0	208	3	10.6	0092169	15A TIME DELAY FUSE	.40	0093999-065	2.8	0093999-018	0093999-109
3.0	230	3	9.6	0092169	17.5A TIME DELAY FUSE	.30	0093999-025	2.8	0093999-018	0093999-109
2.0	460	3	3.4	0092118	6.25A TIME DELAY FUSE	.15	0093999-017	2.8	0093999-018	0093999-110
3.0	460	3	4.8	0092169	8A TIME DELAY FUSE	.15	0093999-017	2.8	0093999-018	0093999-111
2.0	575	3	2.7	0092145	5A TIME DELAY FUSE	.15	0093999-017	2.8	0093999-018	0093999-110
3.0	575	3	3.9	0092183	6.25A TIME DELAY FUSE	.15	0093999-017	2.8	0093999-018	0093999-111

\*MAXIMUM OVERCURRENT DEVICE TO BE INSTALLED BY USER TO PROTECT THIS MOTOR CONFIGURATION. PER NEC

\*\*USE CLASS "CC" FUSES ONLY

\*\*\*USE TYPE "FLM" FUSES