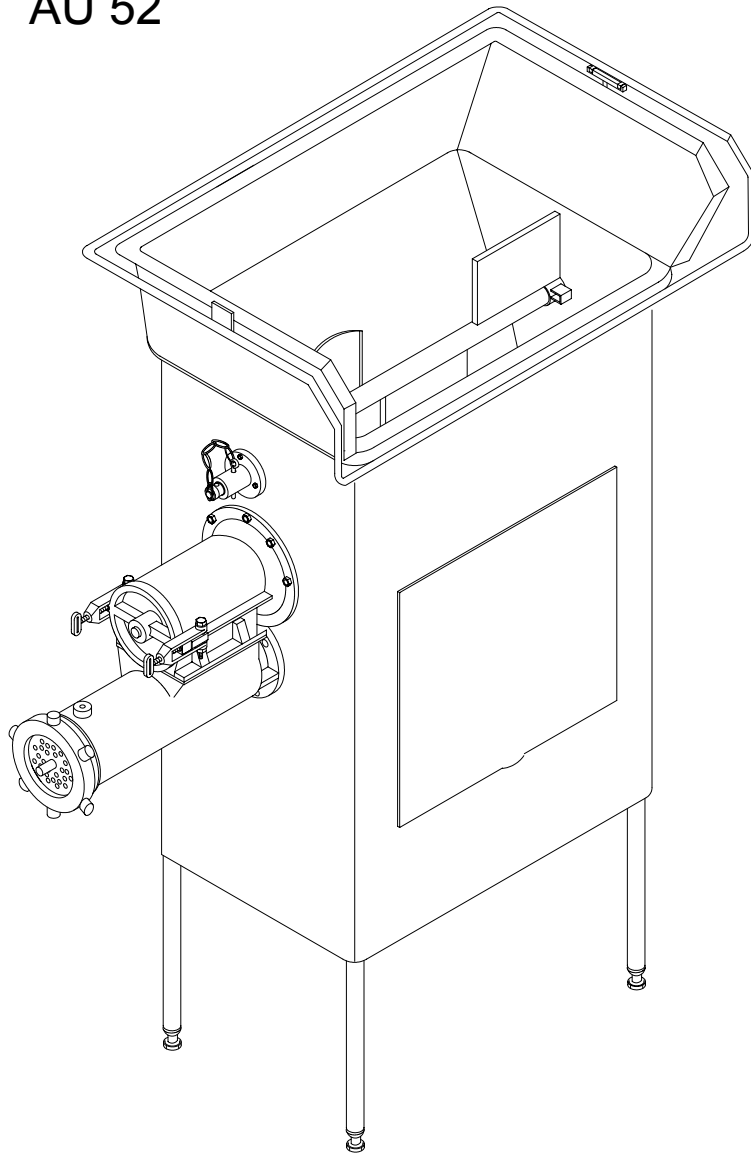


REPLACEMENT PARTS MANUAL FOR AU 52 AUTO-GRINDERS S/N 101 TO 599

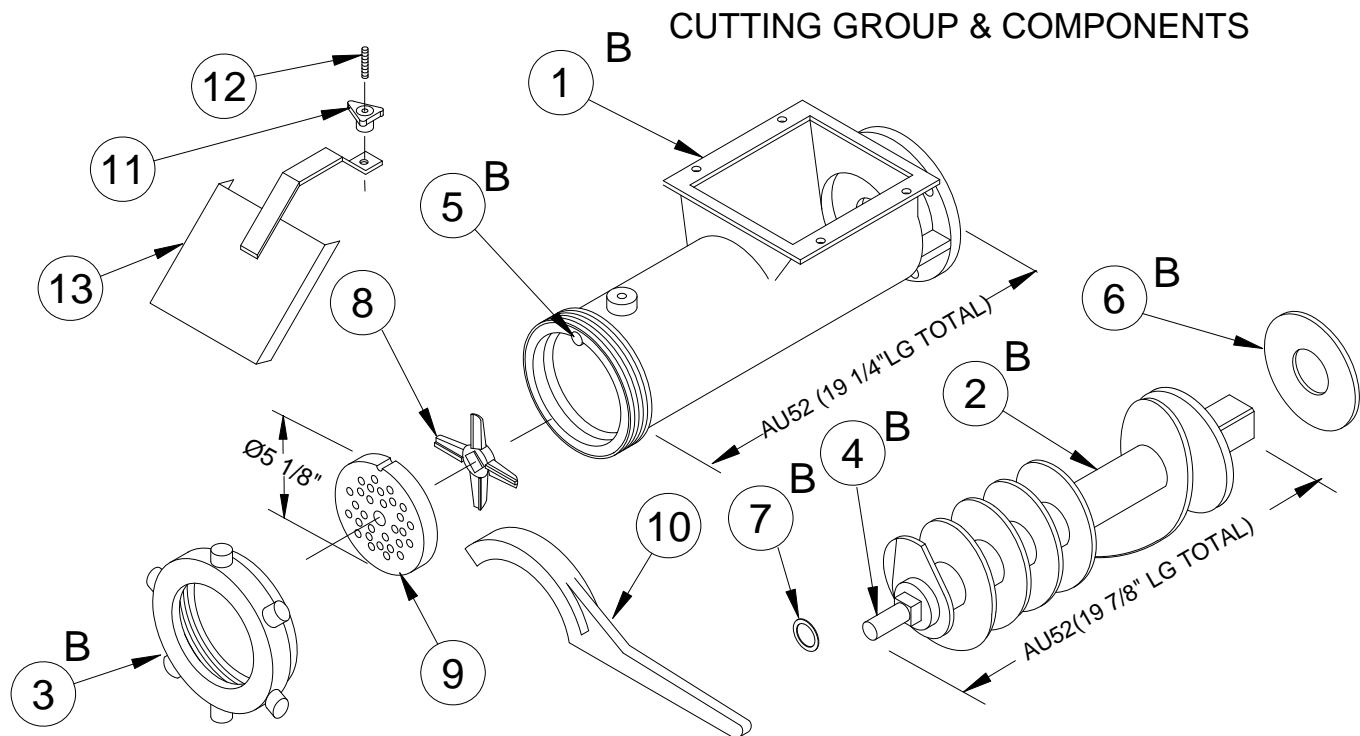
AU 52



(THAT WERE MANUFACTURED BY "LASAR MFG." UNTILL 1988)
AMERICAN MEAT EQUIPMENT CORP. HAD NO CONNECTION TO THE
DESIGN, MANUFACTURING OR SALES OF THESE MACHINES

REPLACEMENT PARTS FOR AU52 AUTO-GRINDER

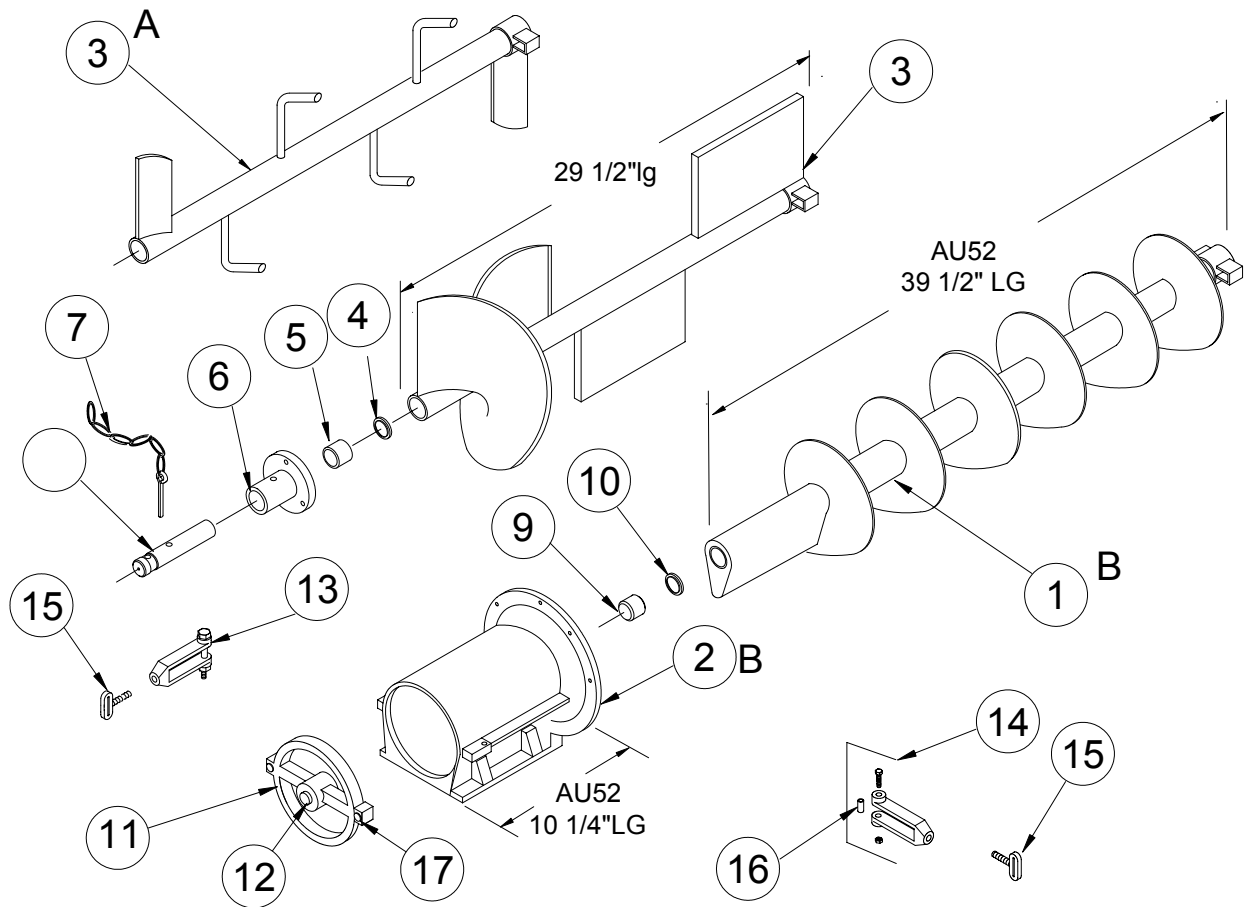
(THAT WERE MANUFACTURED BY "LASAR MFG" UNTIL 1988)



ITEM#	PART#	DESCRIPTION	QTY.
1B	0043210	AU52 BOWL (PLATED)	1
1B-SS	0043210S	AU52 BOWL (S/S)	1
2B	0043201	AU52 FEED SCREW ASSY (PLATED)	1
2B-SS	0043201S	AU52 FEED SCREW ASSY (S/S)	1
3B	0053016	52 KNIFE & PLATE RING (PLATED)	1
3B-SS	0053016S	52 KNIFE & PLATE RING (S/S)	1
4B	0052026	AU52 FEED SCREW STUD	1
5B	DP-05-24	PIN-PLATE HOLDER	1
6B	0059274	52 SPACER BETWEEN BOWL & FEED SCREW	1
7B	0095655	52 SHIM FEED SCREW STUD	1
8	0090934P	52 KNIFE (PREMIUM)	1
9A	0090931	52 – 1/8" HOLE PLATE	1
9B	0090932	52 – 3/16" HOLE PLATE	1
9C	0090935	52 – 1/4" HOLE PLATE	1
9D	0090933	52 – 3/8" HOLE PLATE	1
10	0059188	WRENCH	1
10-SS	0043620	S/S WRENCH	1
11	0059244	HAND WHEEL SPURT GUARD	1
12	0059223S	S/S STUD HAND WHEEL	1
13	0059208	SPURT GUARD	1

REPLACEMENT PARTS FOR AU52 AUTO-GRINDER (THAT WERE MANUFACTURED BY "LASAR MFG" UNTIL 1988)

AGITATOR, CONVEYOR, FEEDBOX & COMPONENTS

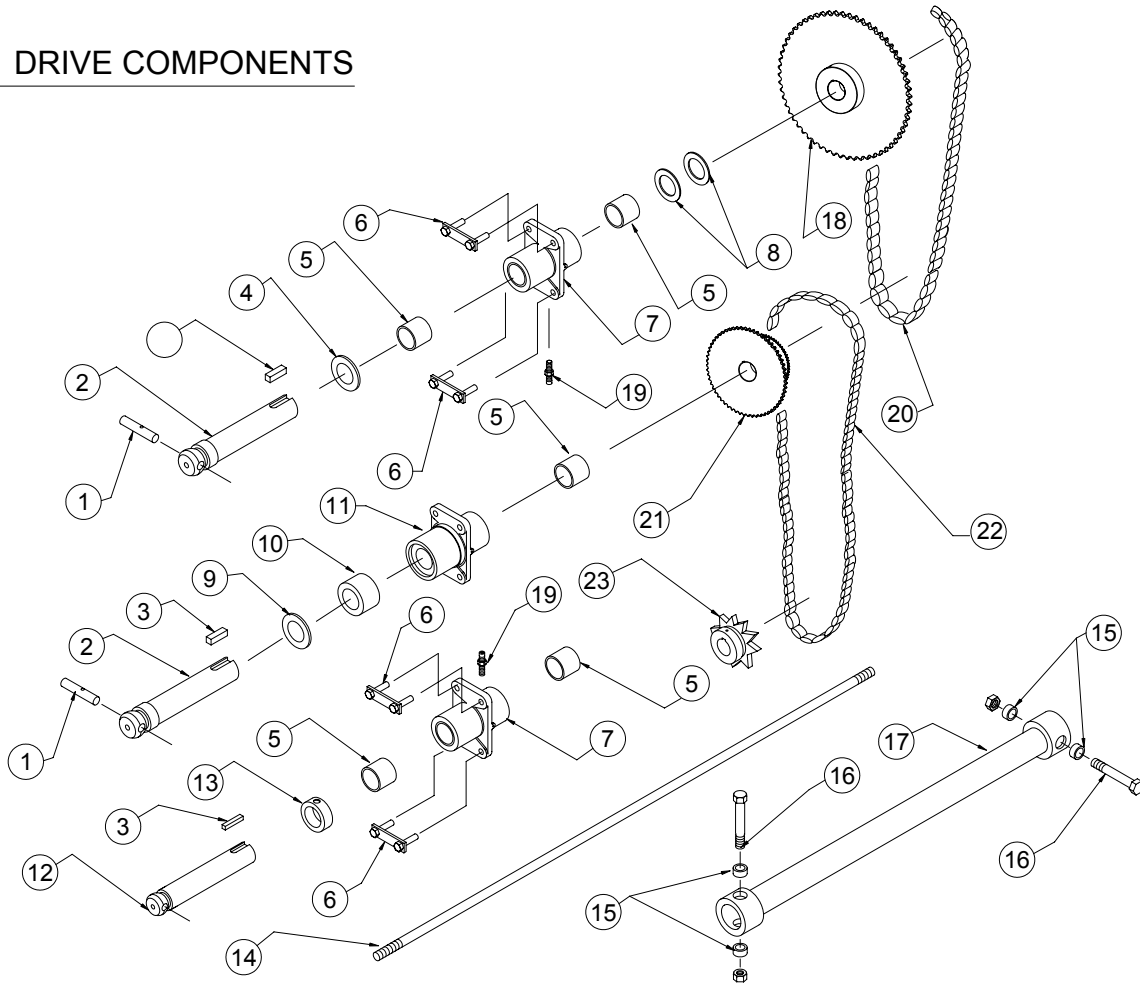


ITEM#	PART#	DESCRIPTION	QTY	ITEM#	PART#	DESCRIPTION	QTY.
1B	0043336S	CONVEYOR ASSY W/BUSH	1	8	0058117	FRONT SHAFT AGITATOR	1
2B	0043212	FEEDBOX ALUMINUM	1	9	0059373	NYLON BUSHING CONV.	1
2B-S	0043212S	FEEDBOX S/S	1	10	0059243	PLUG CONVEYOR	1
3	0043190S	AGITATOR W/BUSH	1	11	0043047S	S/S COVER & SHAFT FEED BOX	1
3A	0043254S	AGITATOR W/BUSH (SPECIAL)	1	12	0058103	FRONT SHAFT FEED BOX	1
4	0059244	PLUG AGITATOR	1	13	0059148	SWING CLAMP RH	1
5	0059373	NYLON BUSHING AGITATOR	1	15	0059158	THUMB SCREW	2
6	0058116	FRONT BRKT-AGIT. (PLATED)	1	15-S	0059158S	S/S THUMB SCREW	2
6-S	0058116-S	FRONT BRKT-AGIT. (S/S)	1	16	0059149	BUSHING SWING CLAMP	2
7	0026547S	PIN & CHAIN ASSEMBLY	1	17	0059193S	S/S RIVET-CONV. COVER	2

REPLACEMENT PARTS FOR AU52 AUTO-GRINDER (THAT WERE MANUFACTURED BY "LASAR MFG" UNTIL 1988)

REPLACEMENT PARTS FOR AU52 AUTO-GRINDERS
(THAT WERE MANUFACTURED BY "LASAR MFG" BEFORE 1988)

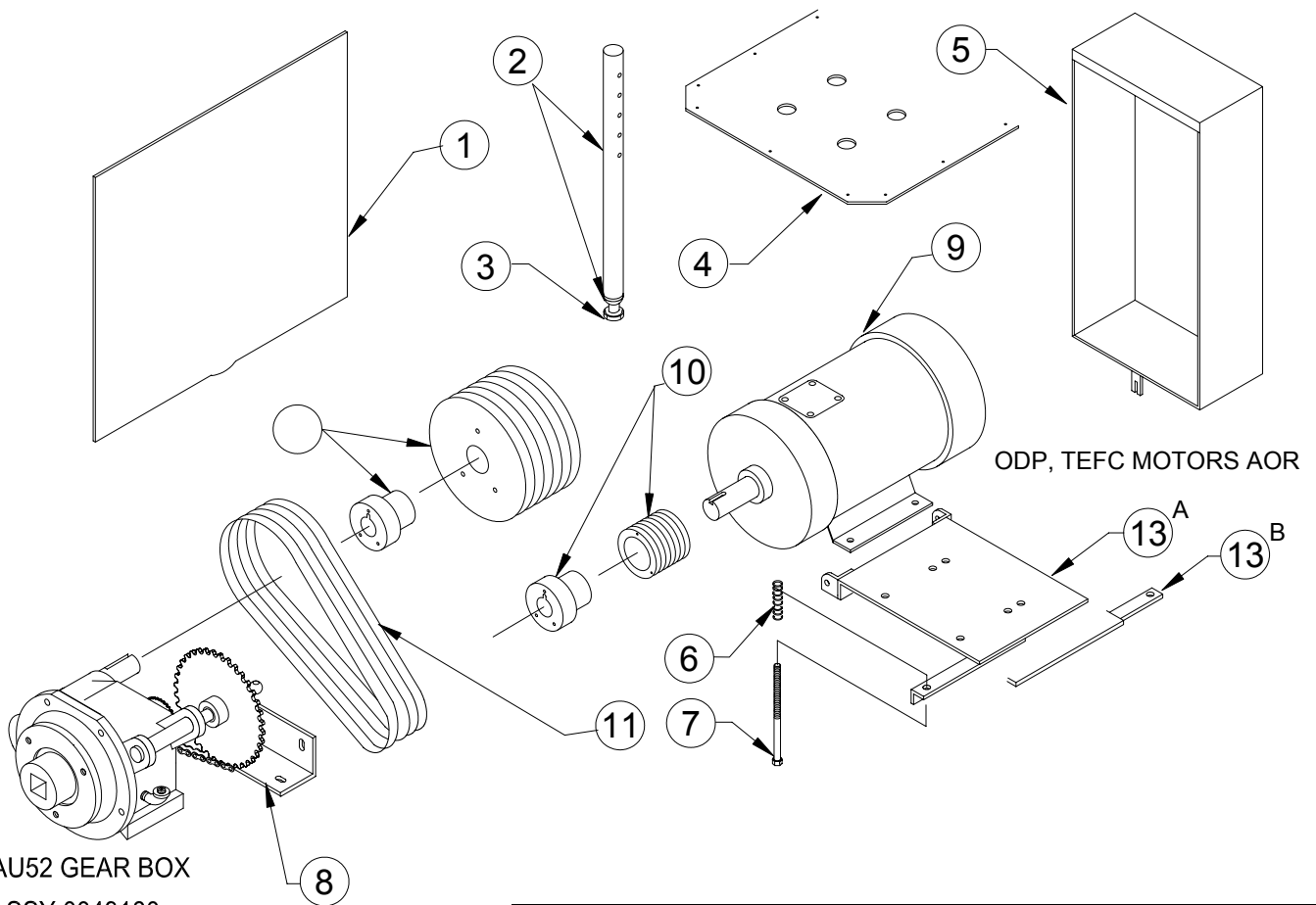
DRIVE COMPONENTS



ITEM#	PART#	DESCRIPTION	QTY	ITEM#	PART#	DESCRIPTION	QTY.
1	0045048	DRIVE PIN (BALL DRIVE ONLY)	2	13	0043151	COLLAR	1
2	0043044S	UPPER & MIDDLE DRIVE SHAFT	2	14	0043197	TIE BAR	1
3	0059247-4	KEY	3	15	0043131	BUSHING DRIVE TUBE	1
4	00463156	S/S WASHER	1	16	0090657	SPECIAL BOLT & NUT	1
5	0090701	BUSHING (2) FOR #7 (1) FOR #10	5	17	0043240	DRIVE TUBE	1
6	0043143	UPPER & LOWER STUD PLATE ASSY	4	18	0043625	UPPER SPROCKET	1
7	0043057	UPPER & LOWER BEAR. BRKT. W/ (2) #4	2	19	043206S	ADJ SCR-UPPER & LOWER CHAIN	1
8	0043089	SPACER WASHER	2	20	0091100	UPPER CHAIN ASSEMBLY	1
9	0043213	THRUST WASHER	1	21	0043040	DOUBLE SPROCKET ASSEMBLY	1
10	0043117	THRUST BEARING	1	22	0091104	LOWER CHAIN ASSEMBLY	1
11	0043055	MIDDLE BEARING BRKT. W/ #5 & #9	1	23	0043281	LOWER SPROCKET	1
12	0043042	LOWER DRIVE SHAFT	1				

REPLACEMENT PARTS FOR AU52 AUTO-GRINDER (THAT WERE MANUFACTURED BY "LASAR MFG" UNTIL 1988)

MOTOR, PULLEYS & COVERS



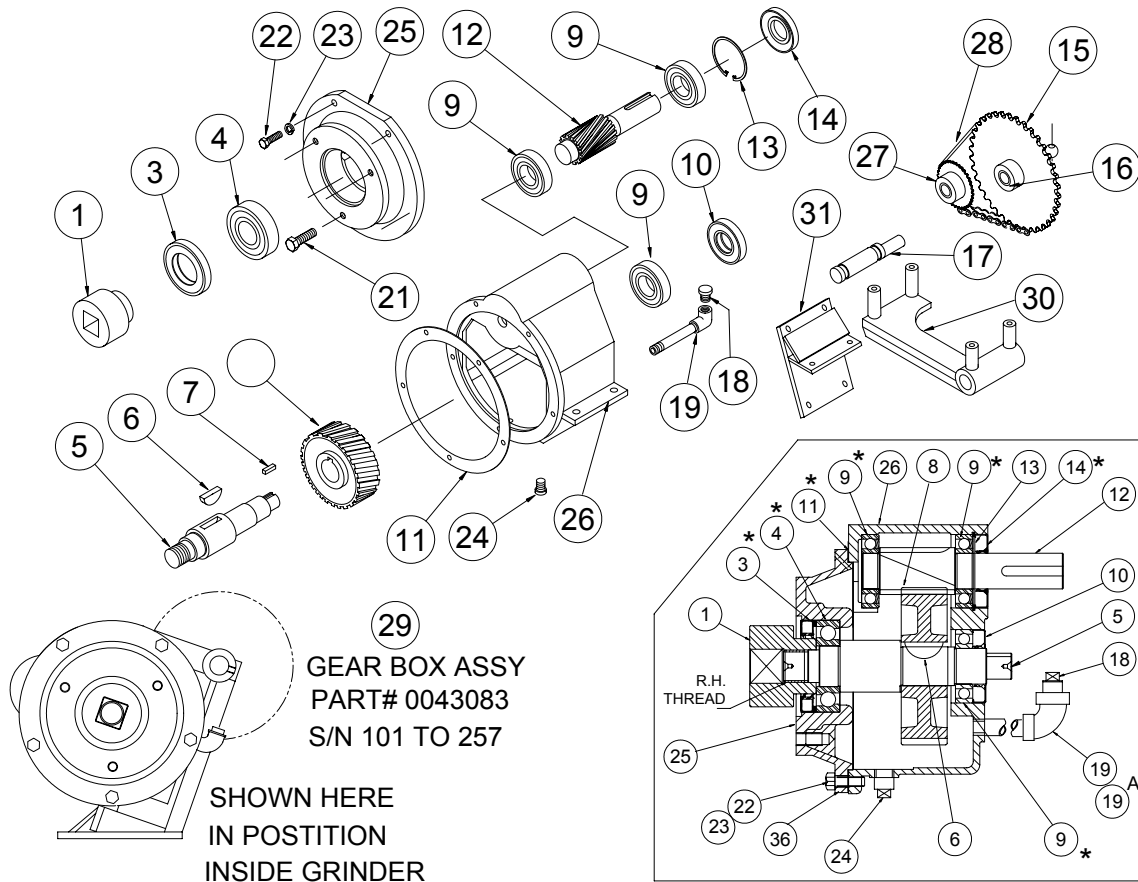
ODP, TEFC MOTORS AOR

AU52 GEAR BOX
ASSY 0043180
S/N 258-ON SHOWN
(FOR GEAR BOX ASSY
AND COMPONENTS
SEE P5A
FOR GEAR BOX ASSY AND
COMPONENTS BEFORE
S/N 258 SEE P5

ITEM#	PART#	DESCRIPTION	QTY
1	0043140S	SIDE COVER	2
2	0059226S	S/S LEG W/INSERT & FOOT #3	4
3	0059390	INSERT & FOOT ASSEMBLY	4
4	0043141S	BOTTOM COVER	1
5	0043132S	CHAIN COVER ASSEMBLY	1
6	0043157	TENSION SPRING	1
7	0028689	TENSION STUD 10 HP	1
7	0043155	TENSION STUD 15 HP	1
8	0043125S	G.B. SUPPORT BRKT	1
9	0092257	MOTOR 10 HP, 3PH	1
9	0092298	MOTOR 15 HP, 3PH	1
10	0043278	MOTOR PULLEY & HUB 10 HP, 6GR	1
10	0043279	MOTOR PULLEY & HUB 15 HP, 6GR	1
11	0090502	BELT	6
12	0043276	G.B. PULLEY & HUB 6GR	1
13A	0043169S	MOTOR MOUNT 10 HP	1
13B	0043177S	MOTOR MOUNT 15 HP	1

REPLACEMENT PARTS FOR AU52 AUTO-GRINDER (THAT WERE MANUFACTURED BY "LASAR MFG" UNTIL 1988)

GEAR BOX ASSY 0043083 & COMPONENTS



ITEM#	PART#	DESCRIPTION	QTY	ITEM#	PART#	DESCRIPTION	QTY
1	0059060	DRIVE CHUCK	1	17	0043017	JACK SHAFT SPROCKET	1
2				18	0090613	PIPE PLUG	1
*3	0043088	SEAL ASSY (LARGE)	1	19	0059140	PIPE ASSEMBLY	1
*4	0090303	THRUST BEARING	1	*20	0043082	REBUILDING KIT	1
5	0043016	DRIVE SHAFT	1	21	HHCS-27-24-N	SCREW	3
6	0090607	WOODRUFF KEY	1	22	HHCS-23-16-N	SCREW	5
7	0059247-4	KEY	1	23	SLW-06-SS	LOCK WASHER	5
8		GEAR (PURCHASE W/ #12)	1	24	0090613	PLUG	1
*9	0090304	BEARING HOUSING	3	25	0043014	COVER AU42 & 52	1
*10	0090406	SEAL (SMALL DRIVE SHAFT)	1	26	0040012	HOUSING AU42 & 52	1
*11	0059061	GASKET	1	27	0091005	SMALL SPROCKET ALL AU42	1
12	0059052	PINION & GEAR WHEEL #8	1	28	0091105	CHAIN ASSY AU42 S/N 101 TO 155	1
13	0090205	RETAINING RING HOUSING	1	29	0043083	GEAR BOX ASSEMBLY	1
*14	0090404	SEAL (PINION)	1	30	0043092	SUPPORT BRACKET	1
15	0043063	SPROCKET ASSY W/BUSH #16	1	31	0043084	SUPPORT	1
16	0090702	BUSHING SPROCKET	1				

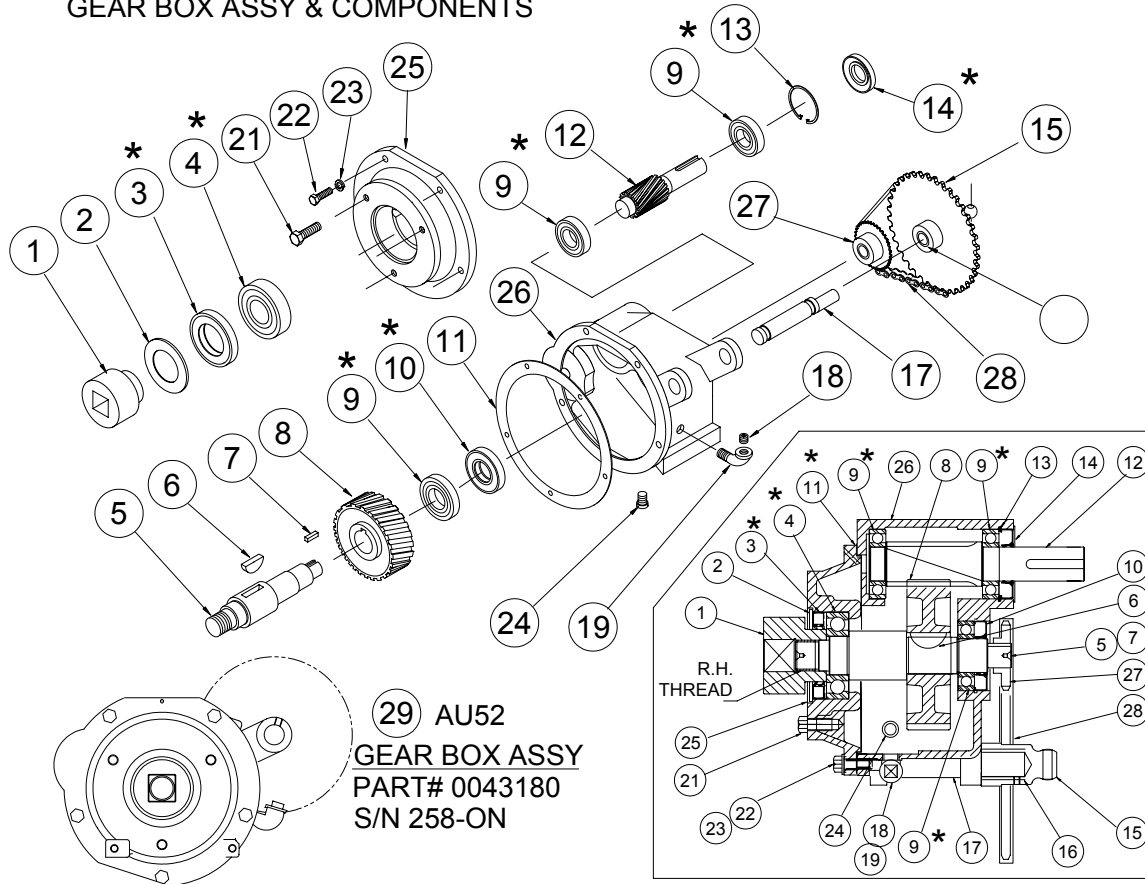
*ITEMS 15, 16, 17, 28, 30 & 31 NOT INCLUDED IN ITEM #29 - 0043083

REPLACEMENT PARTS FOR AU52 AUTO-GRINDER (THAT WERE MANUFACTURED BY "LASAR MFG" UNTIL 1988)

REPLACEMENT PARTS FOR AU52 AUTO-GRINDERS

(THAT WERE MANUFACTURED BY "LASAR MFG" BEFORE 1988)

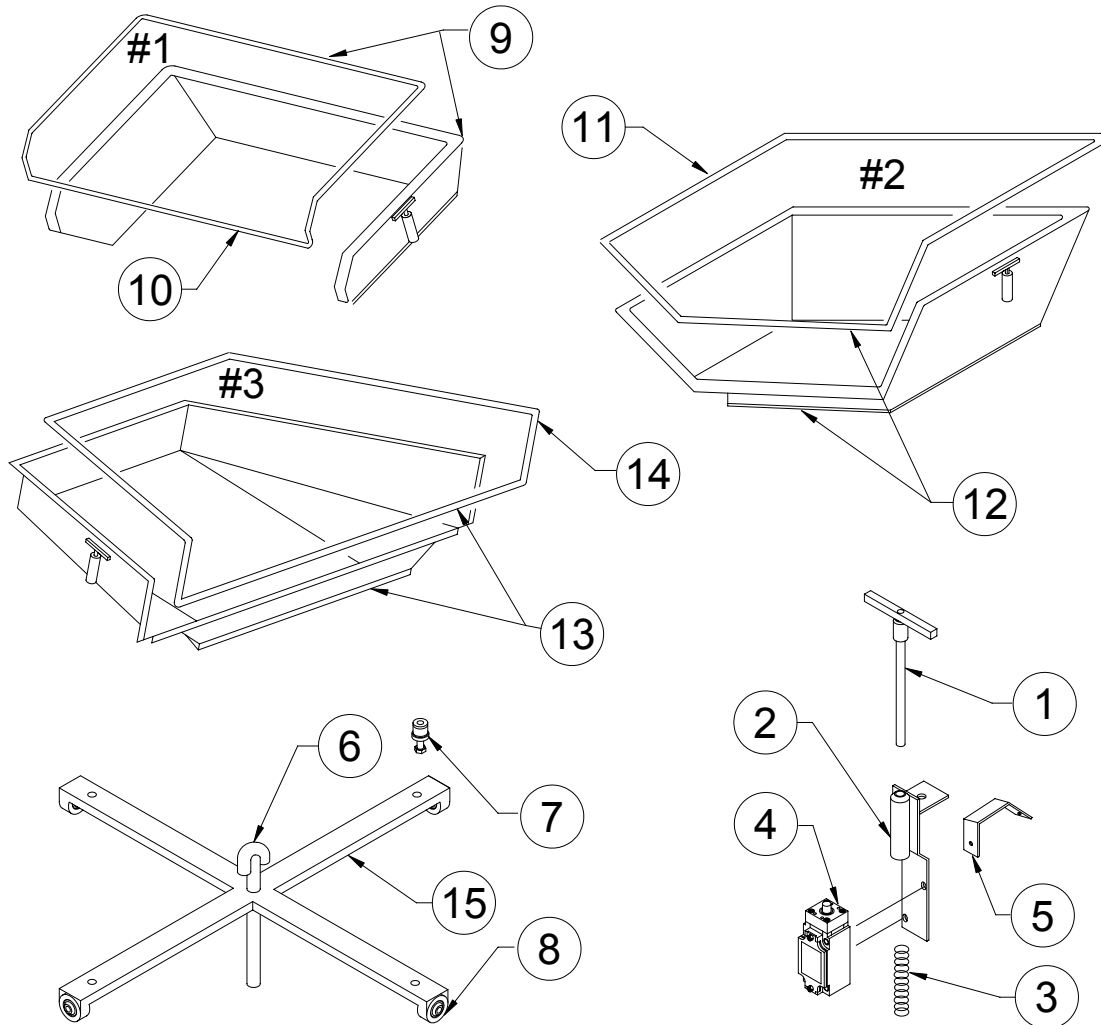
GEAR BOX ASSY & COMPONENTS



ITEM#	PART#	DESCRIPTION	QTY	ITEM#	PART#	DESCRIPTION	QTY
1	0059060	DRIVE CHUCK	1	16	0090702	BUSHING SPROCKET	1
2	0043148	SEAL WASHER	1	17	0043122	JACK SHAFT SPROCKET	1
*3	0090405	SEAL (LARGE)	1	18	0090613	PIPE PLUG	1
*4	0090303	THRUST BEARING	1	19	0090620	PIPE ELBOW	1
5	0043016	DRIVE SHAFT	1	*20	0043650	REBUILDING KIT	1
6	0090607	WOODRUFF KEY	1	21	HHCS-27-24-SS	SCREW	3
7	0059247-4	KEY	1	22	HHCS-23-16-SS	SCREW	5
8		GEAR (PURCHASE W/ #12)	1	23	SLW-06-SS	LOCK WASHER	5
*9	0090304	BEARING HOUSING	3	24	0090613	PLUG	1
*10	0090406	SEAL (SMALL DRIVE SHAFT)	1	25	0043014	COVER GEAR BOX	1
*11	0059061	GASKET	1	26	0044564	HOUSING GEAR BOX	1
12	0043181	PINION & GEAR WHEEL #8	1	27	0091009	SMALL SPROCKET	1
13	0090205	RETAINING RING HOUSING	1	28	0091105	CHAIN ASSEMBLY	1
*14	0090404	SEAL (PINION)	1	29	0043180	GEAR BOX ASSY S/N 258-ON	1
15	0043063	SPROCKET ASSY W/BUSH #16	1				

REPLACEMENT PARTS FOR AU52 AUTO-GRINDER (THAT WERE MANUFACTURED BY "LASAR MFG" UNTIL 1988)

HOPPERS WITH SAFETY RAIL, & ROTARY BASE ASSY & COMPONENTS

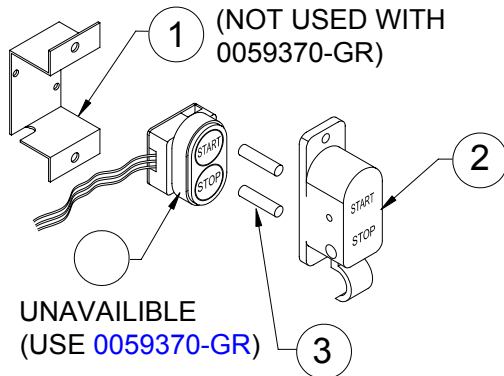


ITEM#	PART#	DESCRIPTION	QTY	ITEM#	PART#	DESCRIPTION	QTY
1	0043360	SAFETY PIVOT PIN	1	9	0043340	#1 HOPPER & RAIL ASSY	1
2	0043385	TENSION TUBE ASSEMBLY	1	*10	0043345	SAFETY RAIL #1 HOPPER	1
3	0043341	SPRING	1	11	0043370	#2 HOPPER & RAIL ASSY	1
4	0093271	LIMIT SWITCH	1	*12	0043375	SAFETY RAIL #2 HOPPER	1
5	0043411	BRACKET FOR #1 HOPPER	1	13	0043380	#3 HOPPER & RAIL ASSY	1
6	0058391S	PIVOT PIN	1	*14	0043365	SAFETY RAIL #3 HOPPER	1
7	0059392	ADJ HOLD DOWN BOLT	4	15	0043286	ROTARY BASE & COMP	1
8	0095035	CASTERS	4				

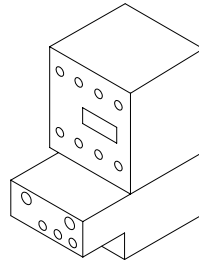
* ITEM 10, 12 & 14 CAN ONLY BE REPLACED IF HOPPER IS SENT TO A.M.E.C.

REPLACEMENT PARTS FOR AU5 AUTO-GRINDER (THAT WERE MANUFACTURED BY "LASAR MFG" UNTIL 1988)

ELECTRICAL COMPONENTS

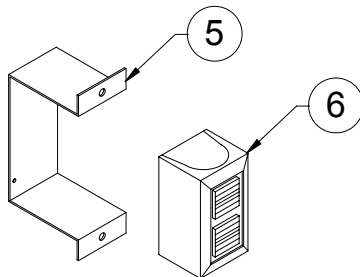
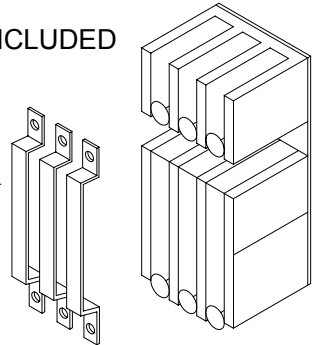


TYPE "A" SWITCH
(CONTACTOR & O/L)



TYPE "F" SWITCH CONTACTER
(3) HEATERS
NOT INCLUDED

(3)
TYPE "F"
HEATER



ITEM#	PART#	DESCRIPTION	QTY
1	0059068	SWITCH BRACKET	1
2	0059132	SWITCH LEVEL BOX ASSY	1
3	0059137	PLUNGER	2
4	0059370	SWITCH (USE 0059370-GR)	1
5	0059460	SWITCH BRACKET	1
6	0093999-136	PUSH BUTTON ASSY	1
7	0059370-GR	REPLACEMENT KIT FOR ITEM 4	1

0059370-GR
REPLACEMENT KIT FOR ITEM 4

CHART G25					"F" TYPE CONTACTOR	"F" TYPE "F" TYPE HEATERS (3) REQUIRED		"A" TYPE "A" TYPE CONTACTOR & O/L	
10 HP	3 PH	VOLTAGE				PART#	"H"#	PART#	PART#
		575V	460V	230V	208V	0093010	E54	0093538	0093649
		10.4			0093008	E56	0093540	0093646	
			13.0		0093011	E67	0093546	0093657	
				26.0	0093011	E69	009355	0093657	
				28.0					
15 HP	3 PH	15.7			0093010	E60	0093542	0093653	
			19.6		0093012	E61	0093543	0093652	
				39.2	0093015	E73	0093549	0093661	
				45.0	0093015	E74	0093563	0093661	