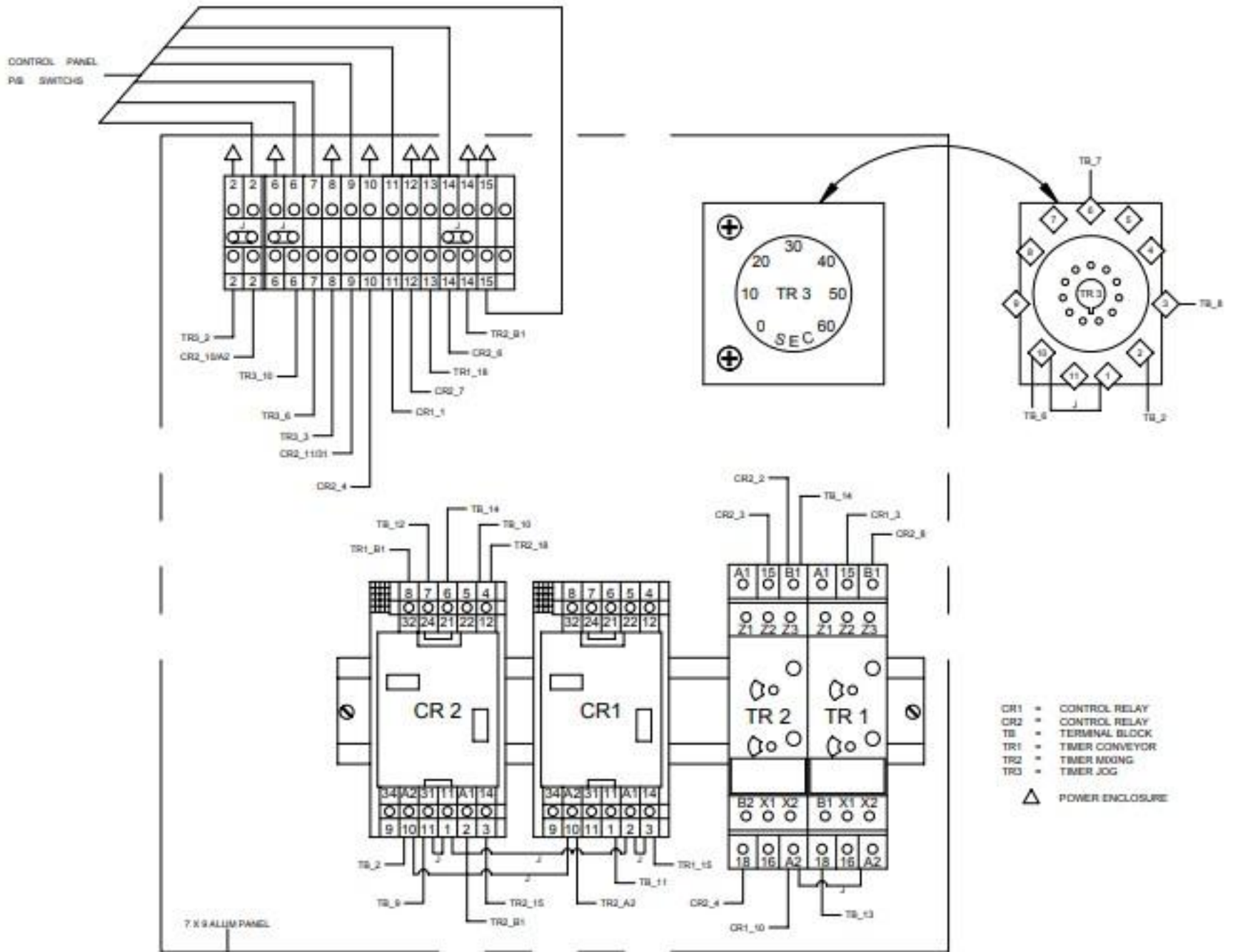
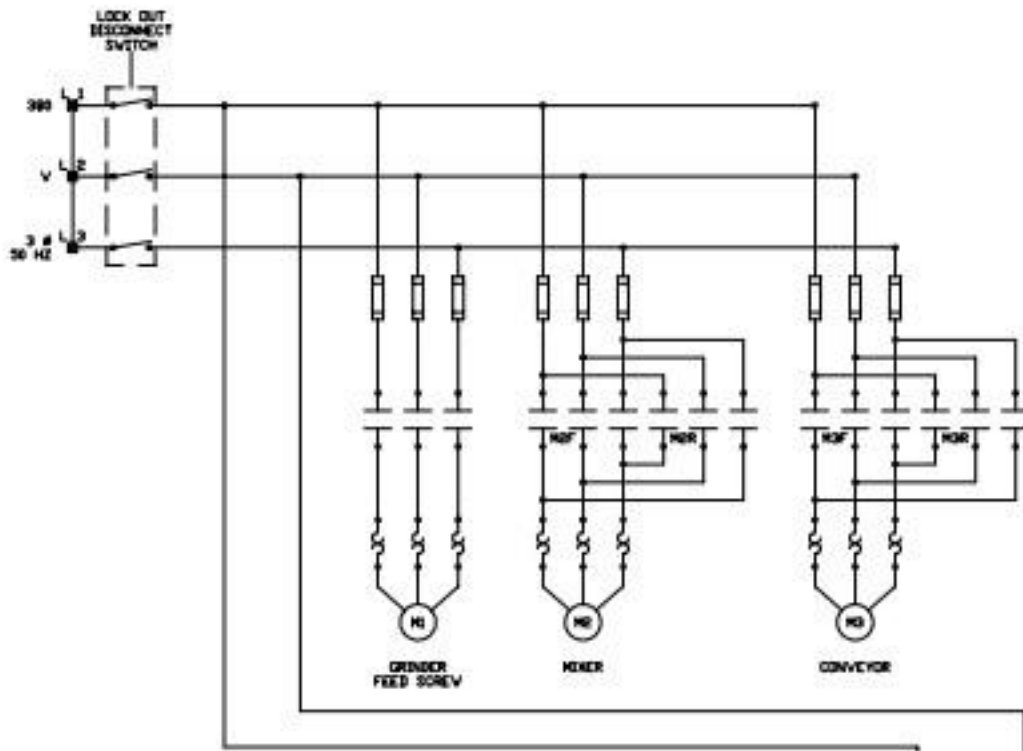


# MG\_CONTR (CONTROL PANEL) MANUAL ADJUSTED CONVEYOR



380 VAC



- ▲ POWER ENCLOSURE
- CONTROL ENCLOSURE
- MOTOR, INVERTER

