

B[®]
U
T
C
H
E
R
B
O
Y

250 MIXER
OPERATING INSTRUCTIONS AND PARTS
LIST



MADE IN USA

BUTCHER BOY =
QUALITY

DEPENDABILITY

SERVICE

BUTCHER BOY 250 MIXER

READ AND UNDERSTAND THESE INSTRUCTIONS BEFORE OPERATING THE 250 MIXER!

The 250 Mixer is equipped with an electrical disconnect switch that can be locked in the off position. USE THIS SWITCH TO LOCK OUT THE ELECTRICAL POWER!

The 250 Mixer is intended for **ONE PERSON OPERATION ONLY!** Do not allow others into the proximity of the mixer when product is being discharged!

Installation:

Locate the mixer in a suitable area and have a qualified electrician supply adequate power of the proper voltage and phase. The user provides over-current protection for the mixer at this time.

Operation:

Load the mixer with the product to be mixed. The mixer may be tipped left or right to accommodate loading.

The mixer must be in the upright position with the lid closed to mix. Mixing will commence when the start button on the sloped console is depressed and will continue until the stop button on the console is depressed or alternatively the lid is opened, the E-Stop button is depressed or the lockout switch is turned OFF.

After mixing is complete, raise the lid and rotate the tub to the discharge position. The mixer will operate only at the discharge position and with both buttons on the sides of the console depressed simultaneously and held.

Clean-up:

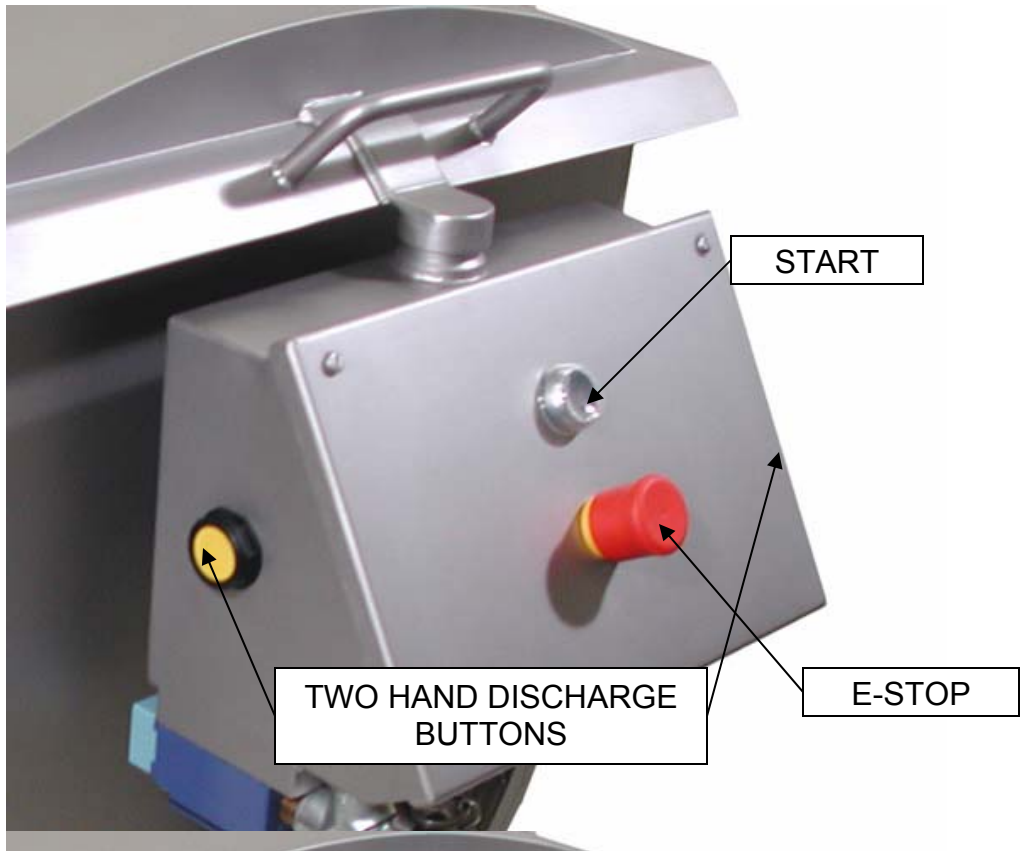
After the last load is mixed and the mixer is at the discharge position jog the paddle to an easy to remove position. **THE MOTOR IS EQUIPPED WITH A BRAKE! YOU CANNOT MOVE THE PADDLE BY HAND! JOG THE PADDLE INTO POSITION WITH THE TWO HAND BUTTONS!**

LOCK OUT THE ELECTRICAL! Remove the paddle and follow your normal wash down procedures. Reinstall the paddle and you are ready to mix again.

Daily:

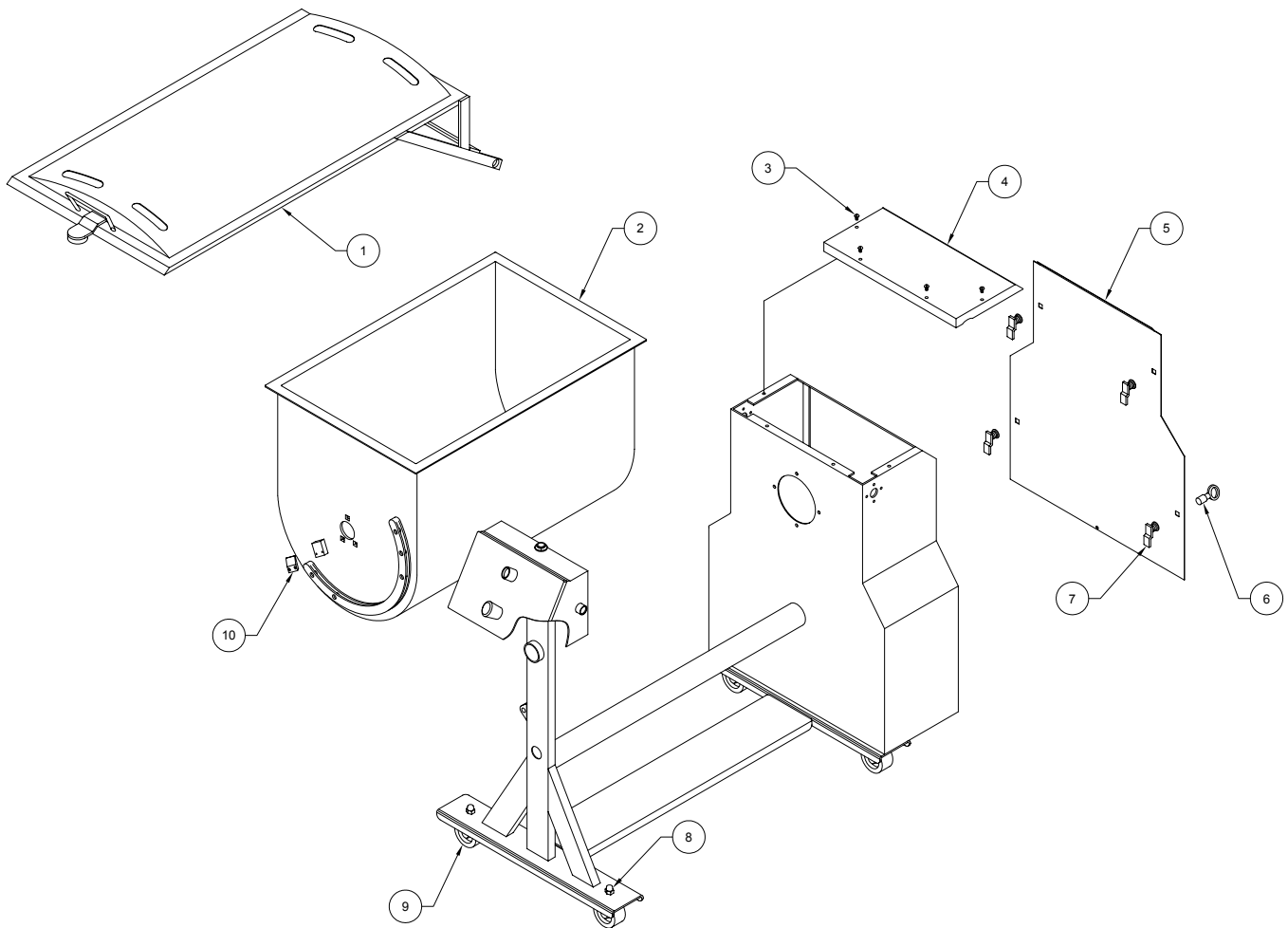
On a daily basis before using the 250 Mixer check the function of all the controls. If a malfunction does occur **DO NOT OPERATE THE MIXER!**

Failure to follow the above instructions may place personnel in danger of severe injury!



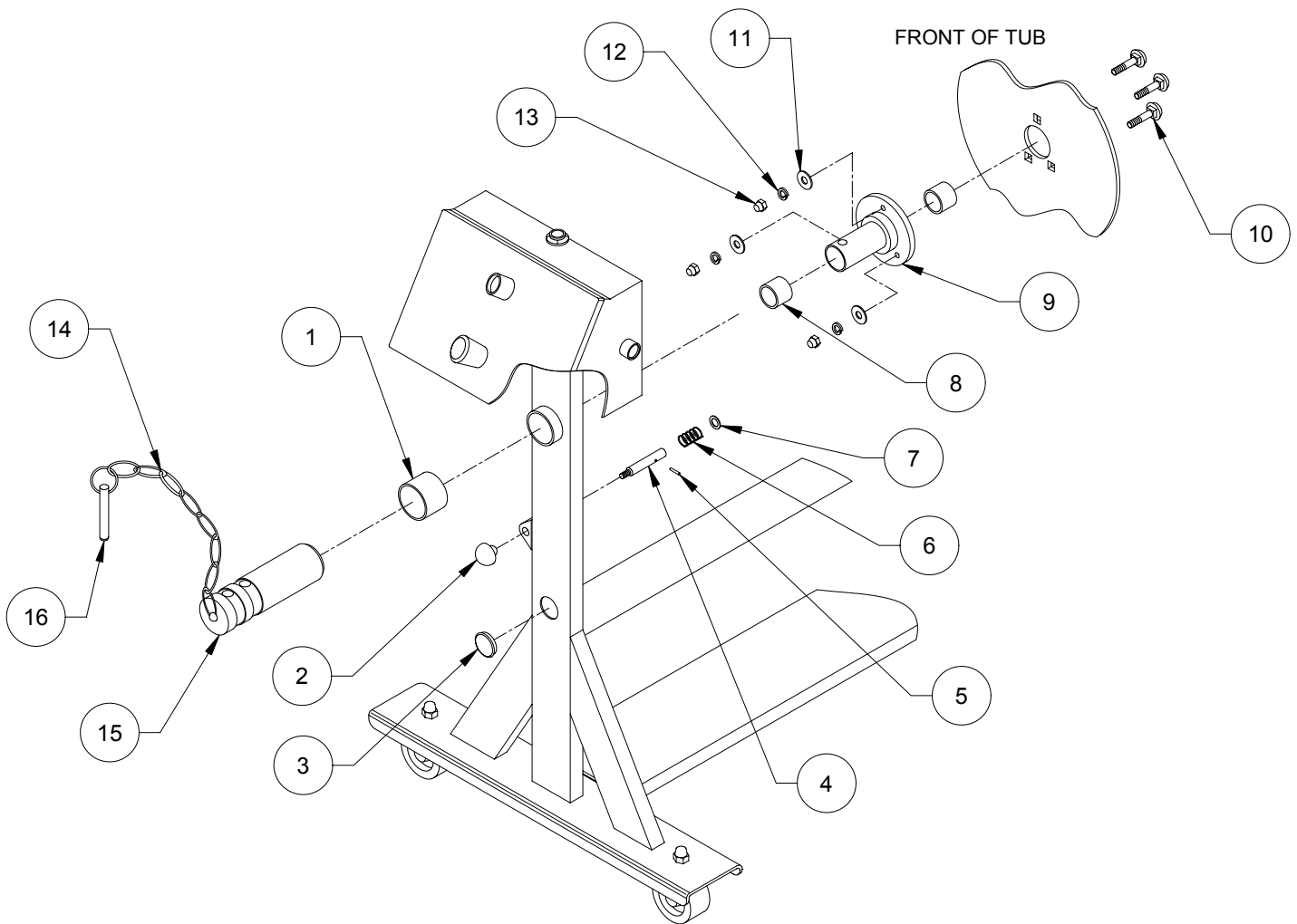
BUTCHER BOY 250 MIXER STAINLESS STEEL

250 MIXER BASE, TUB & LID



| ITEM # | PART # | DESCRIPTION | QTY. |
|--------|---------------|----------------------|------|
| 1 | 0025890 | LID ASSEMBLY | 1 |
| 2 | 0025935 | TUB ASSEMBLY | 1 |
| 3 | THSS-19-04-SS | SCREW | 4 |
| 4 | 0025929 | TOP COVER | 1 |
| 5 | 0025924 | BACK COVER | 1 |
| 6 | 0095773 | KEY | 1 |
| 7 | 0095772 | LOCK | 4 |
| 8 | NA-27-SS | ACORN NUT | 4 |
| 9 | 0095034 | LOCKING CASTOR WHEEL | 4 |
| 10 | 0025868 | LIMIT SWITCH RAM | 1 |

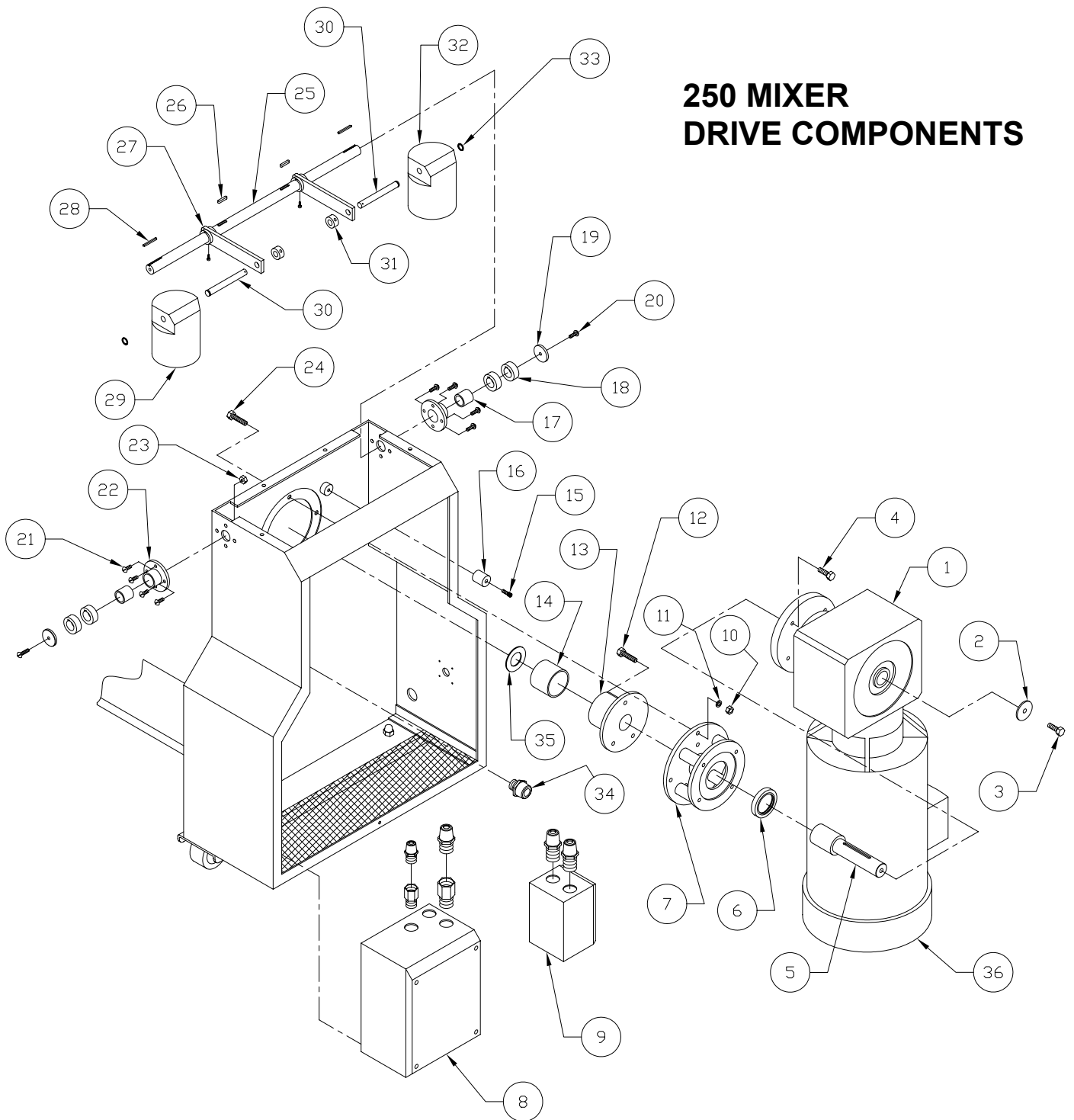
BUTCHER BOY 250 MIXER STAINLESS STEEL



| ITEM# | PART# | DESCRIPTION | QTY. |
|-------|--------------|---------------|------|
| 1 | 0025910 | BUSHING | 1 |
| 2 | 0090638 | KNOB | 1 |
| 3 | 0095695 | PLUG | 1 |
| 4 | 0026367S | TENSION PIN | 1 |
| 5 | GP-02-12-SS | PIN | 1 |
| 6 | 0095789 | SPRING | 1 |
| 7 | 0025867 | SPACER | 1 |
| 8 | 0025911 | INNER BUSHING | 2 |
| 9 | 0025915 | FRONT HUB | 1 |
| 10 | RHSN-2120-SS | CARRIAGE BOLT | 3 |
| 11 | FW-21-SS | FLAT WASHER | 3 |
| 12 | SLN-21-SS | LOCK WASHER | 3 |
| 13 | NA-21-SS | ACORN NUT | 3 |
| 14 | 0090699-3 | CHAIN | 1 |
| 15 | 0025975 | FRONT SHAFT | 1 |
| 16 | 0095800 | LOCKING PIN | 1 |

BUTCHER BOY 250 MIXER STAINLESS STEEL

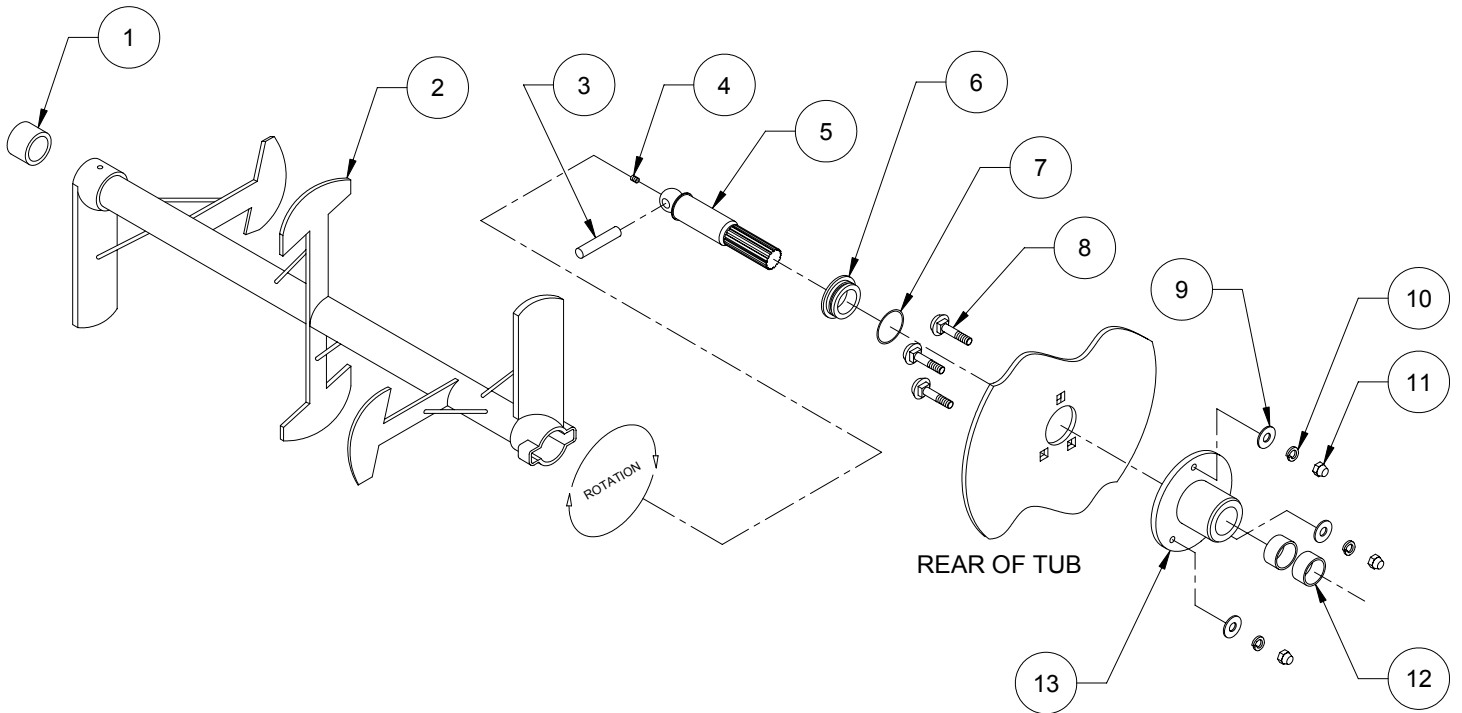
250 MIXER DRIVE COMPONENTS



BUTCHER BOY 250 MIXER STAINLESS STEEL

| ITEM# | PART# | DESCRIPTION | QTY. |
|-------|---------------|--------------------|------|
| 1 | 0095803 | GEARBOX REDUCER | 1 |
| 2 | 0025947 | END WASHER | 1 |
| 3 | HHCS-2314-SS | HEX HEAD SCREW | 1 |
| 4 | HHCS-2316-SS | HEX HEAD SCREW | 1 |
| 5 | 0025918 | GEAR BOX SHAFT | 1 |
| 6 | 0090486 | SEAL | 1 |
| 7 | 0025950 | GEARBOX PLATE | 1 |
| 8 | 0093999-160 | ENCLOSURE | 1 |
| 9 | 0093999-239 | ENCLOSURE | 1 |
| 10 | HNNI-21-SS | NYLOCK NUT | 4 |
| 11 | FW-05 | FLAT WASHER | 4 |
| 12 | HHCS-2116-SS | HEX HEAD SCREW | 4 |
| 13 | 0025980 | FEMALE END | 1 |
| 14 | 0025979 | FEMALE BUSHING | 1 |
| 15 | SHCS-1916-SS | SOC HEAD SCREW | 1 |
| 16 | 0095753 | RUBBER STOP | 1 |
| 17 | 0025690 | BUSHING LID SHAFT | 1 |
| 18 | 0095804 | COLLAR | 4 |
| 19 | 0025937 | END PLATE | 2 |
| 20 | HHCS-19-08-SS | HEX HEAD SCREW | 2 |
| 21 | RHSS-19-14-SS | SLOT SCREW | 8 |
| 22 | 0025913 | BUSHING MOUNT | 2 |
| 23 | HN-NI-19-SS | NYLOCK NUT | 8 |
| 24 | HHCS-2116-SS | HEX HEAD SCREW | 4 |
| 25 | 0025968 | SHAFT LID | 1 |
| 26 | 0059397-5 | 3/16 X 1" KEY | 2 |
| 27 | 0025944 | WEIGHT ARM | 2 |
| 28 | 0059397-9 | 3/16 X 1.5" KEY | 2 |
| 29 | 0025972 | L.H. WEIGHT | 1 |
| 30 | 0025967 | WEIGHT SHAFT | 2 |
| 31 | 0095018 | WEIGHT COLLAR | 2 |
| 32 | 0025971 | R.H. WEIGHT | 1 |
| 33 | 0090271 | SNAP RING | 2 |
| 34 | 0093999-131 | 3/4 STRAIN RELIEF | 1 |
| 35 | 0025912 | SPACER | 1 |
| 36 | 0092075 | BRAKE MOTOR 1.5 HP | 1 |

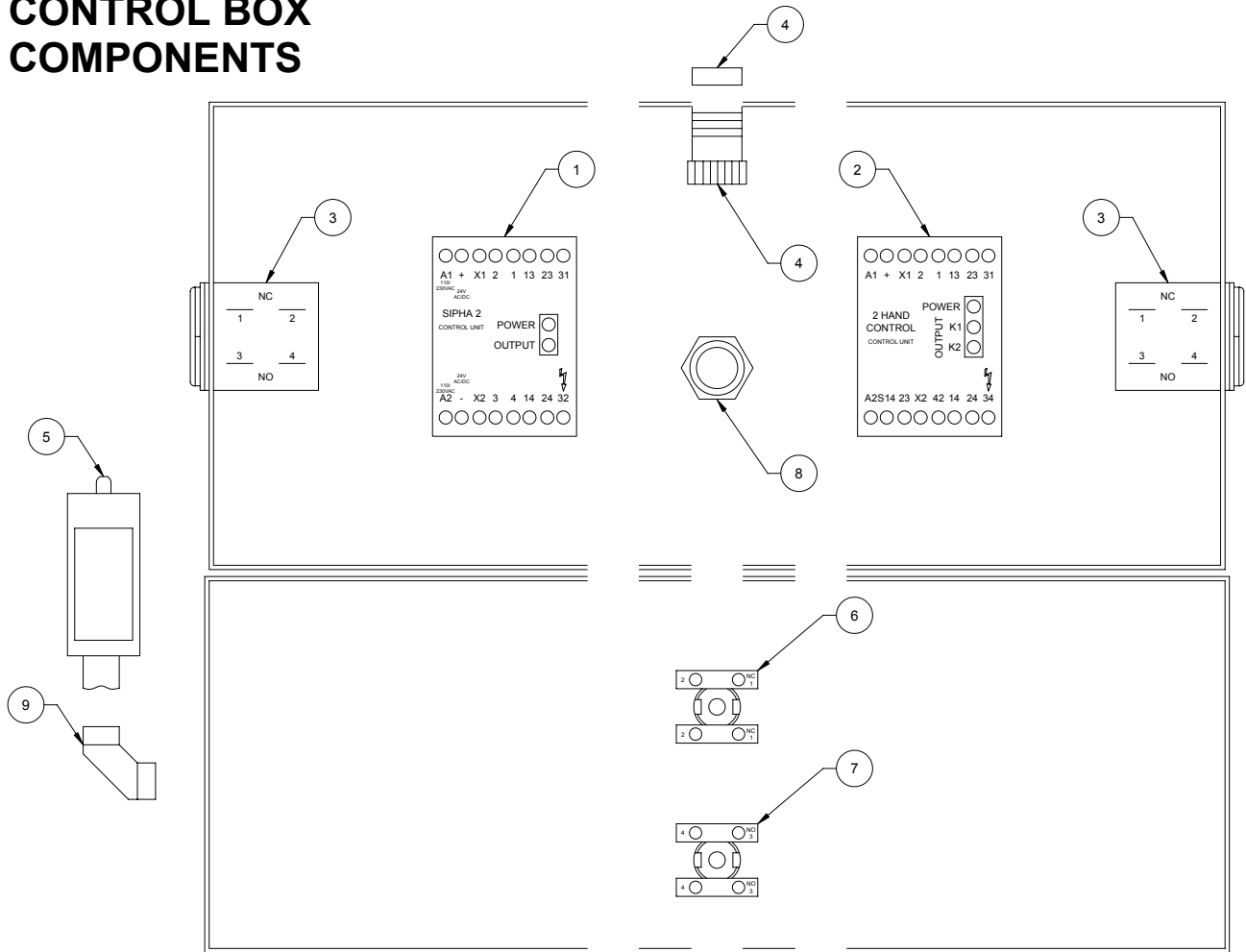
BUTCHER BOY 250 MIXER STAINLESS STEEL



| ITEM# | PART# | DESCRIPTION | QTY. |
|-------|--------------|---------------------------|------|
| 1 | 0026693 | BUSHING PADDLE ASSEMBLY | 1 |
| 2 | 0025820 | PADDLE W/BUSHING R/H TILT | 1 |
| 3 | 0045048 | DRIVE PIN | 1 |
| 4 | SHSS-21-08-S | SET SCREW | 1 |
| 5 | 0025945 | SPLINE SHAFT | 1 |
| 6 | 0025976 | O-RING BUSHING | 1 |
| 7 | 0050653 | O-RING | 1 |
| 8 | RHSN-2120-S | CARRIAGE BOLT | 3 |
| 9 | FW-05-SS | FLAT WASHER | 3 |
| 10 | SLN-05-SS | LOCK WASHER | 3 |
| 11 | NA-21-SS | ACORN NUT | 3 |
| 12 | 0025946 | BUSHING SPLINE SHAFT | 1 |
| 13 | 0025916 | MALE HUB REAR | 1 |

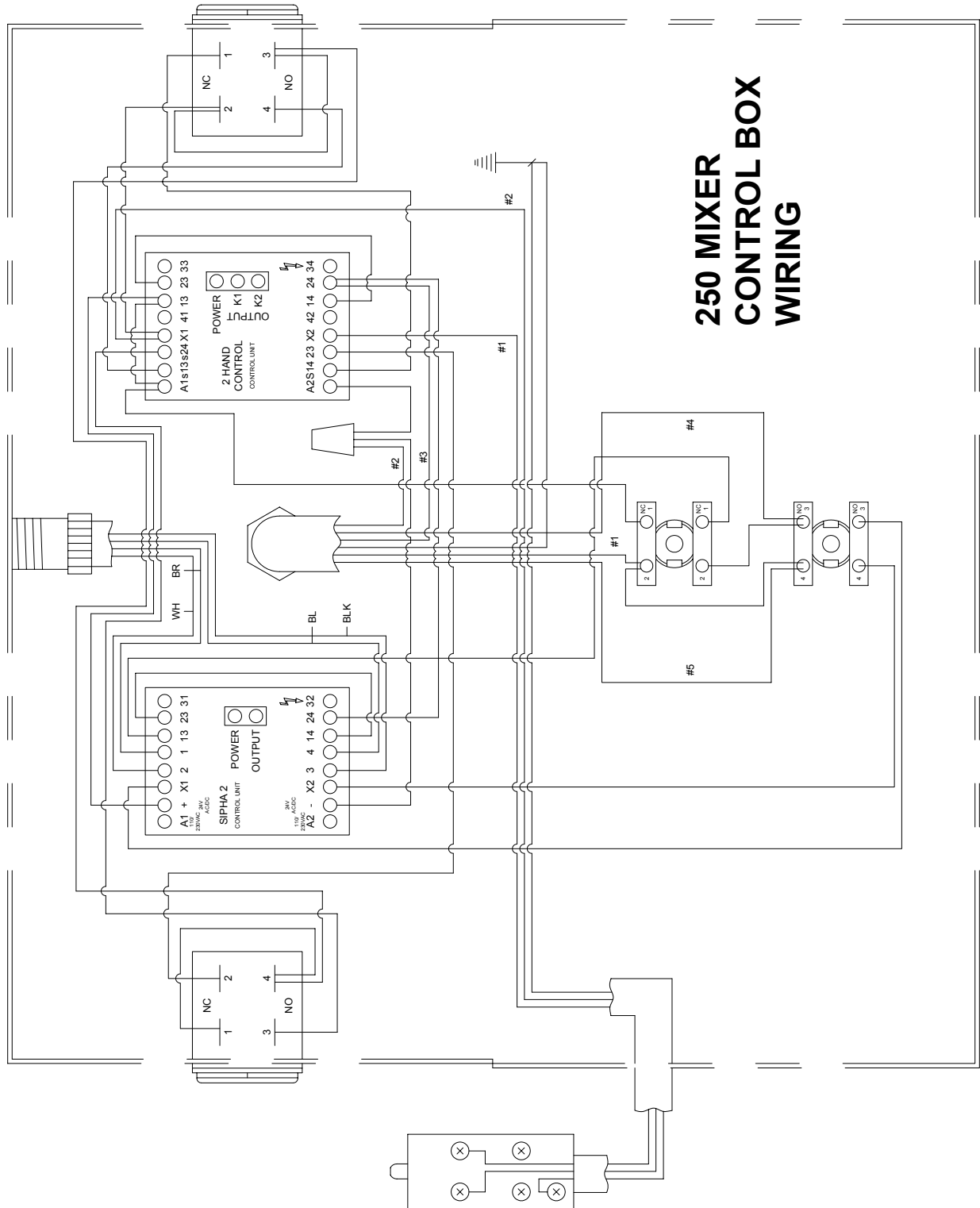
BUTCHER BOY 250 MIXER STAINLESS STEEL

250 MIXER CONTROL BOX COMPONENTS



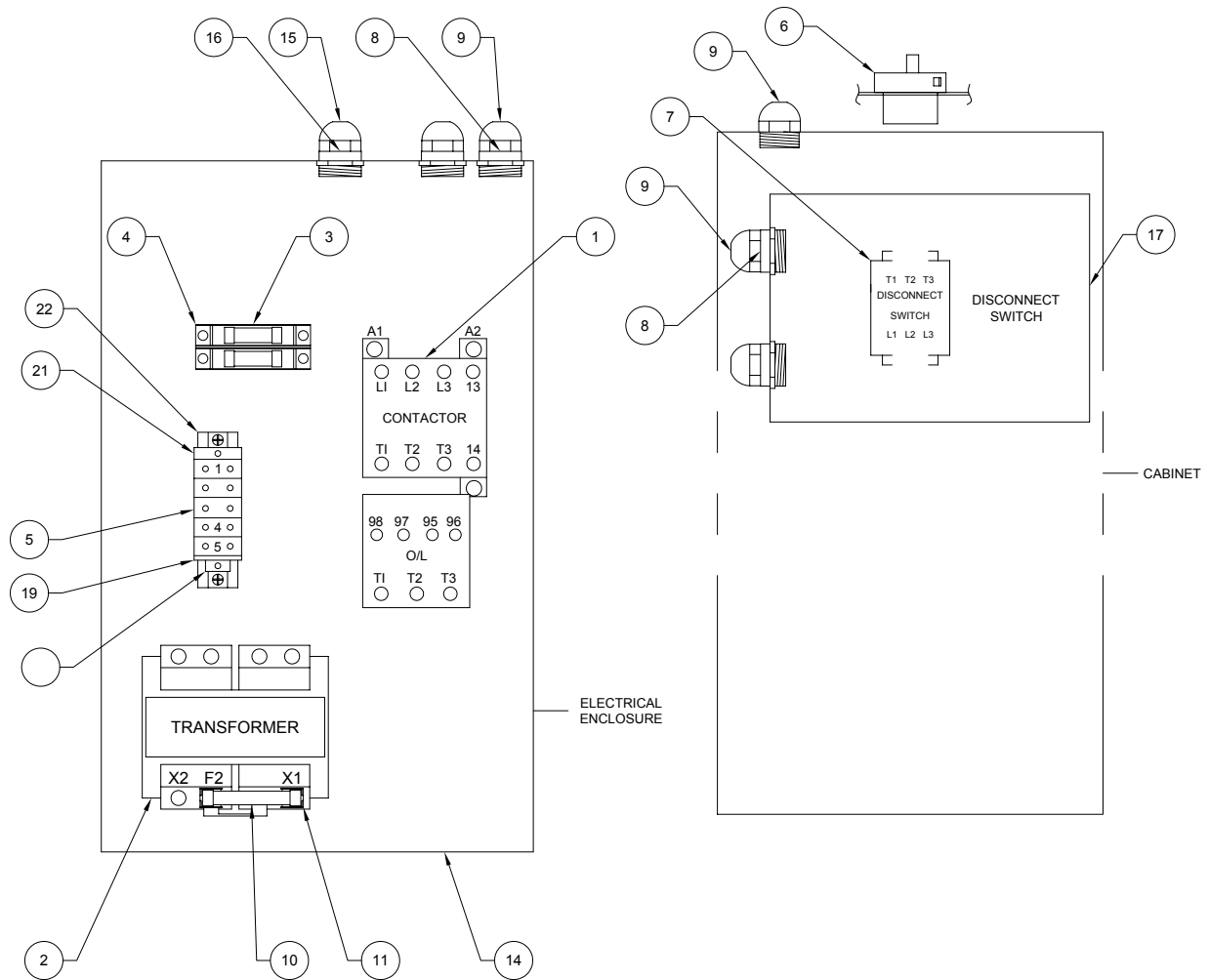
| ITEM # | PART # | DESCRIPTION | QTY. |
|--------|-------------|-----------------------|------|
| 1 | 0093999-205 | CONTROL UNIT | 1 |
| 2 | 0093999-206 | LOGIC UNIT | 1 |
| 3 | 0093999-208 | TWO HAND START BUTTON | 2 |
| 4 | 0093999-207 | SENSOR & ACTUATOR SET | 1 |
| 5 | 0093271 | SAFETY LIMIT SWITCH | 1 |
| 6 | 0093999-209 | STOP BUTTON ASSEMBLY | 1 |
| 7 | 0093999-210 | START BUTTON ASSEMBLY | 1 |
| 8 | 0095796 | STRAIN RELIEF | 1 |
| 9 | 0095795 | ELBOW FITTING | 1 |

BUTCHER BOY 250 MIXER STAINLESS STEEL



BUTCHER BOY 250 MIXER STAINLESS STEEL

250 MIXER ELECTICAL COMPONENS



| ITEM # | PART # | DESCRIPTION | QTY. |
|--------|-------------|---------------------------|------|
| 1 | 0093999-110 | STARTER (460-575V) | 1 |
| 2 | 0093999-095 | TRANSFORMER (208-460/24V) | 1 |
| 3 | 0093999-025 | F1 .30A FUSE (230V) | 2 |
| 4 | 0093999-024 | FUSE HOLDER (PRIMARY) | 1 |
| 5 | 0093999-070 | TERMINAL BLOCKS | 5 |
| 6 | 0093999-055 | DISCONNECT HANDLE | 1 |
| 7 | 0093999-023 | DISCONNECT SWITCH | 1 |
| 8 | 0093999-180 | 3/4" WATER TIGHT HUB | 3 |
| 9 | 0093999-131 | 3/4" STRAIN RELIEFE | 4 |
| 10 | 0093999-018 | 2.8A FUSE | 1 |
| 11 | 0093999-096 | FUSE CLIP | 1 |
| 14 | 0093999-160 | ENCLOSURE | 1 |
| 15 | 0093999-132 | 1/2" STRAIN RELIEF | 1 |
| 16 | 0095769 | 1/2" WATER TIGHT HUB | 1 |
| 17 | 0093999-239 | DISCONNECT ENCLOSURE | 1 |
| 19 | 0093999-069 | END SECTION TERMINAL | 1 |
| 20 | 0093999-187 | END TERMINAL | 2 |
| 21 | 0093999-072 | GROUND TERMINAL | 1 |
| 22 | 0093999-077 | TERMINAL RAIL | 1 |