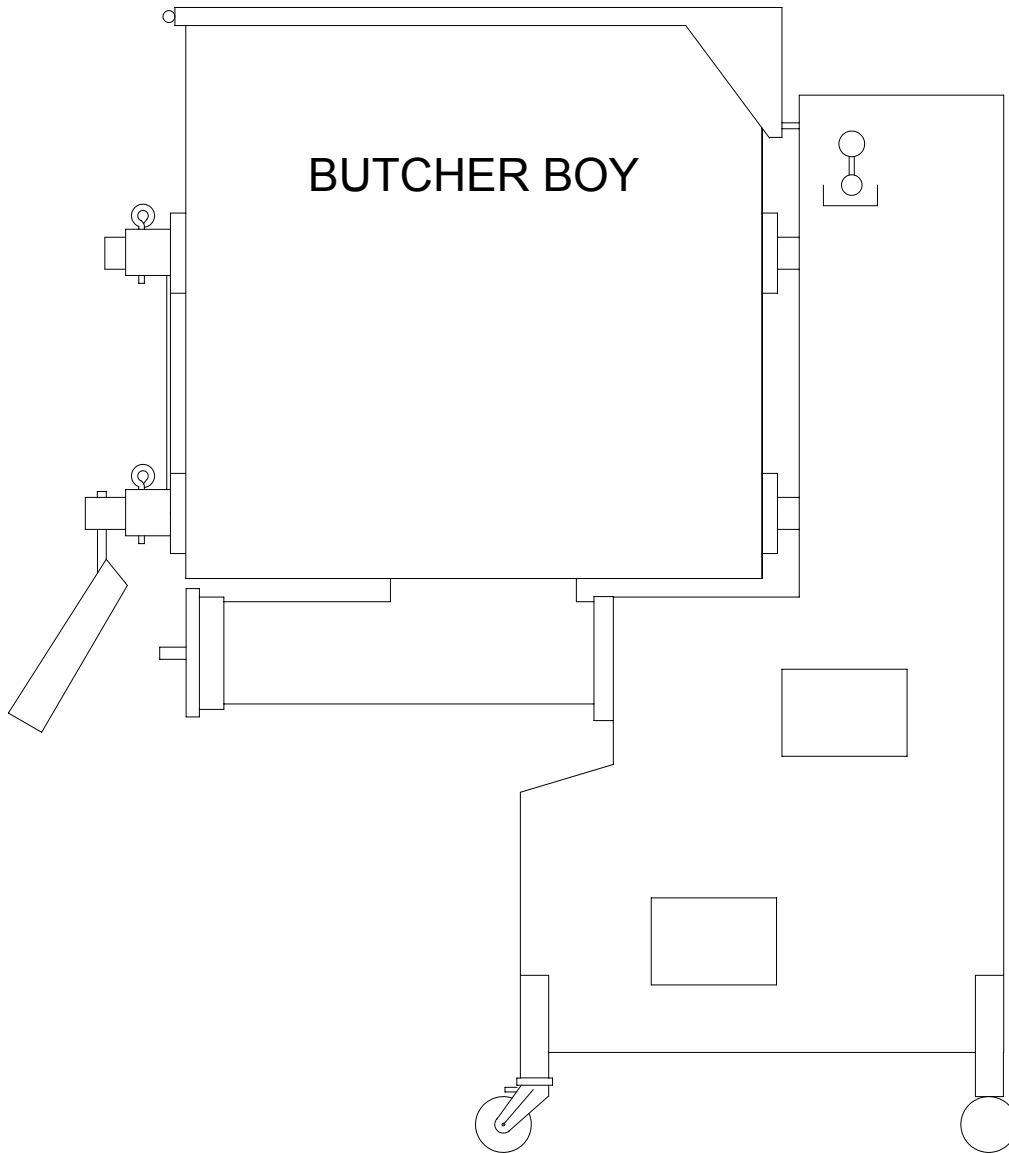


250/52 MIXER GRINDER

REPLACEMENT PARTS MANUAL FOR
250/52 MIXER-GRINDER
S/N 301 TO 884

(THAT WERE MANUFACTURED BY "LASAR MFG." UNTILL 1988)
AMERICAN MEAT EQUIPMENT CORP. HAD NO CONNECTION TO THE
DESIGN, MANUFACTURING OR SALES OF THESE MACHINES



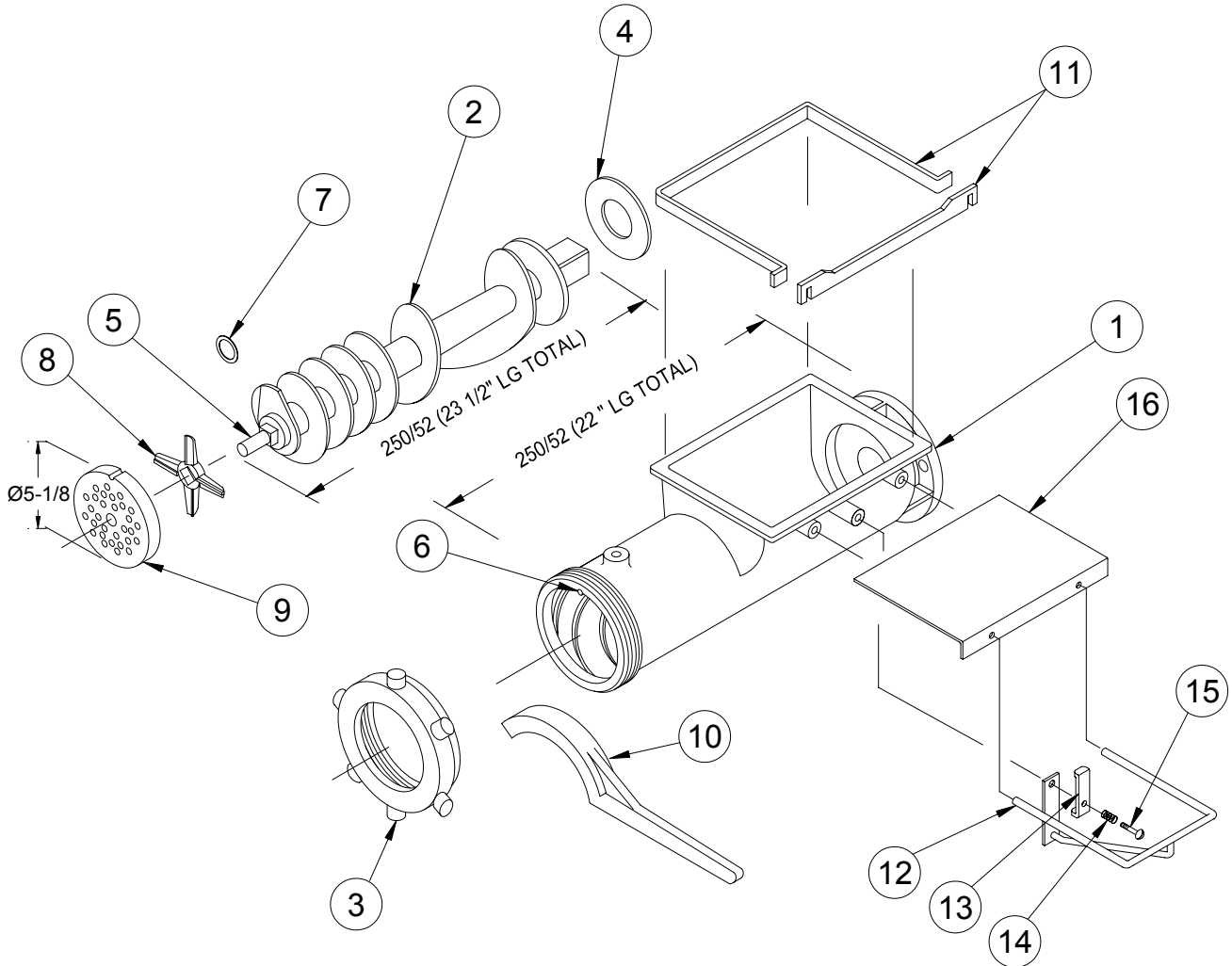
MADE IN USA

AMERICAN MEAT EQUIPMENT CORP.

1625 S. GREENWOOD AVE
MONTEBELLO, CA. 90640
PHONE: (323) 724-5348
FAX: (323) 838-4336

REPLACEMENT PARTS FOR M/G'S 250/52 S/N 301-884
 (THAT WERE MANUFACTURED BY "LASAR MFG" BEFORE 1988)

CUTTING GROUP & COMPONENTS
 FOR 250/52 MIXER GRINDERS S/N 301 TO 884

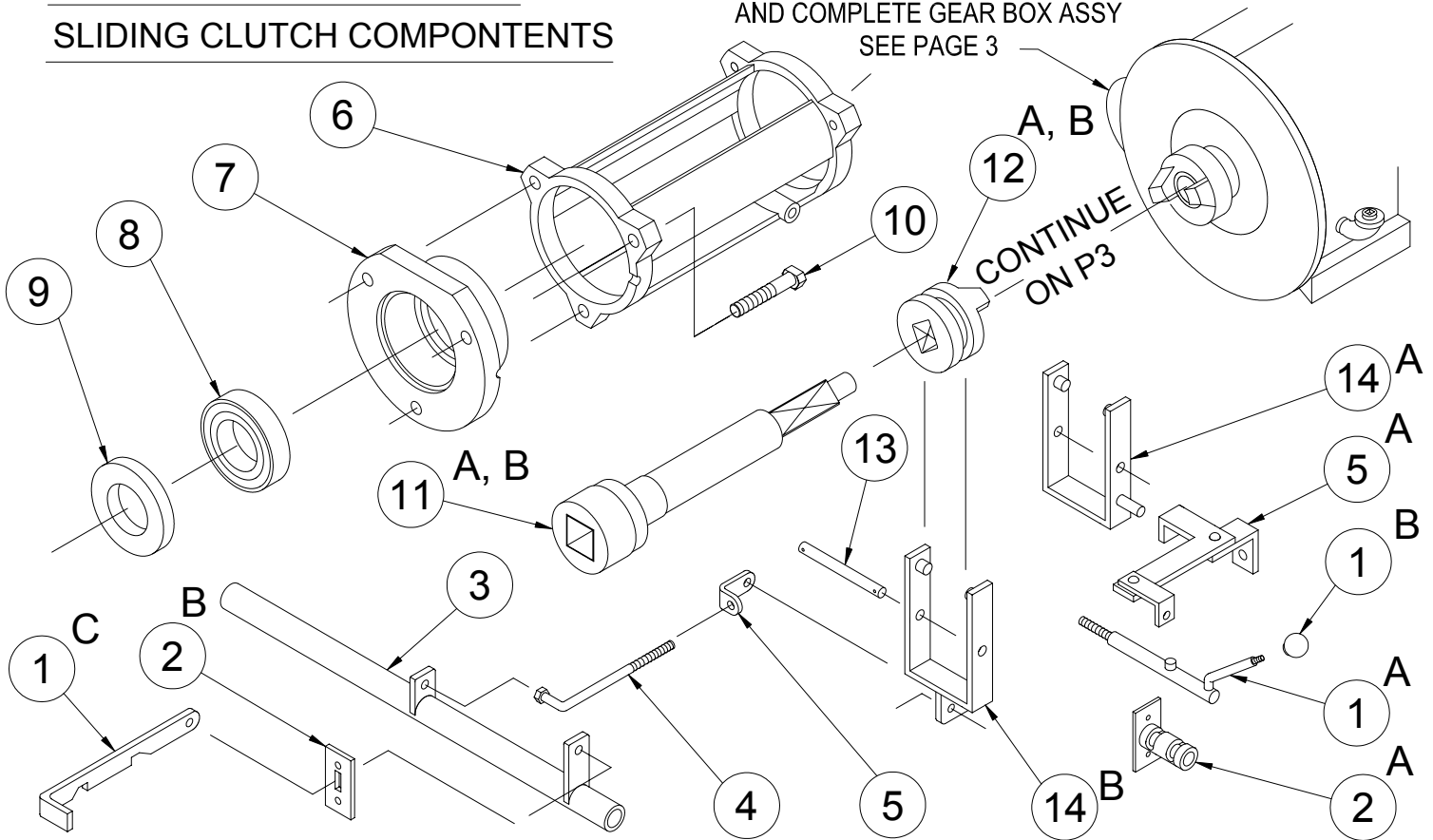


ITEM#	PART#	DESCRIPTION	QTY	ITEM#	PART#	DESCRIPTION	QTY
1	0045014S	250/52 SS BOWL	1	9B	0090932	52-3/16" HOLE PLATE	1
2	0045019	250/52 FEED SCREW ASSY	1	9C	0090935	52-1/4" HOLE PLATE	1
2	0045019S	250/52 SS FEED SCREW ASSY	1	9D	0090933	52-3/8" HOLE PLATE	1
3	0053016	52 KNIFE & PLATE RING (PLATED)	1	10	0059188	52 WRENCH ALUM	1
3	0053016S	SS 52 KNIFE & PLATE RING	1	10-SS	0043620	52 WRENCH SS	1
4	0059274	52 SPACER RING (BOWL & F.S.)	A/R	11	0045300	250/52 SS YOKE & SUPPORT	1
5	0052026	52 FEED SCREW STUD	1	12	0045110	250/52 GUIDE ROD	1
6	DP-05-24	PIN-52 PLATE HOLDER	1	13	0045107	DOOR LOCK	1
7	0095655	52 SHIM FEED SCREW STUD	1	14	0010314	SPRING	1
8	0090934	52 KNIFE	1	15	RHSS-21-24-SS	SCREW	1
9A	0090931	52-1/8" HOLE PLATE	1	16	0045106	250/52 SHUT OFF DOOR	1

REPLACEMENT PARTS FOR M/G'S 250/52 S/N 301-884 (THAT WERE MANUFACTURED BY "LASAR MFG" BEFORE 1988)

GEAR BOX EXTENSION AND SLIDING CLUTCH COMPONENTS

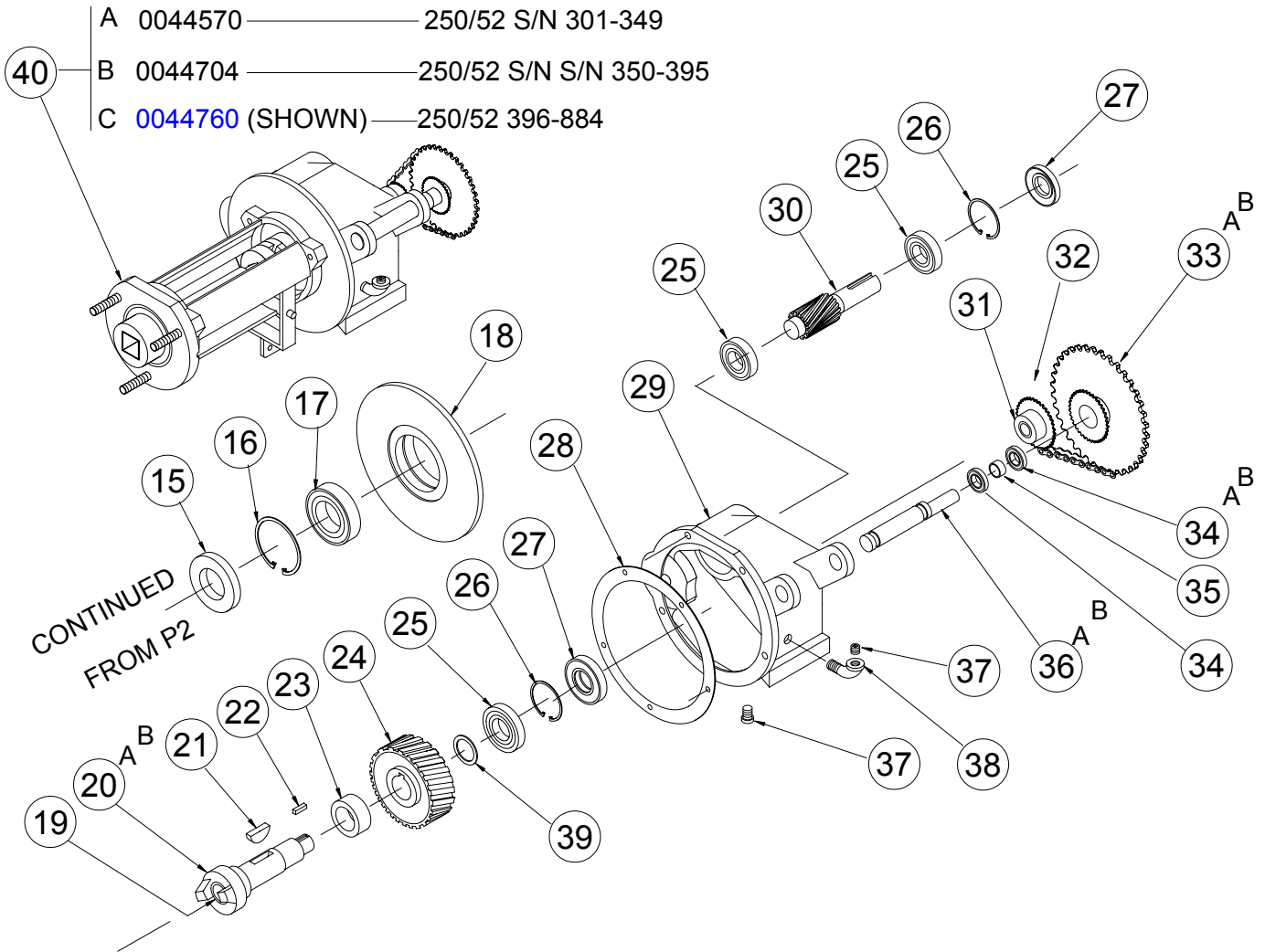
FOR ADDITION COMPONENTS
AND COMPLETE GEAR BOX ASSY
SEE PAGE 3



ITEM#	PART#	DESCRIPTION	QTY.	250/52
1A	0044665	CLUTCH BOLT	1	S/N 301-395
1B	0090638	KNOB	1	S/N 301-395
1C	0044761	RH CLUTCH LEVER (SHOWN)	1	S/N 396-ON
1C	0044764	LH CLUTCH LEVER	1	S/N 396-ON
2A	0044670	CLUTCH BOLT SLEEVE	1	S/N 301-395
2B	0044762	CLUTCH LEVER PLATE	1	
3	0044755	CLUTCH ROD	1	S/N 396-ON
4	0044754	CLUTCH LEVER BOLT	1	
5A	0044655	CLUTCH LEVER	1	S/N 301-395
5B	0044753	CLUTCH BRACKET	1	S/N 396-ON
6	00604	GEAR BOX SPACER	1	
7	0044574	THRUST BEARING HOUSING	1	
8	0090303	THRUST BEARING	1	S/N 301-ON
9	0090421	SEAL	1	
10	0045622	STUD	3	
11A	0044572	DRIVE SHAFT	1	S/N 301-349
11B	0044791	DRIVE SHAFT (SHOWN)	1	S/N 350-ON
12A	0045085	SLIDING CLUTCH	1	S/N 301-349
12B	0044705	SLIDING CLUTCH (SHOWN)	1	S/N 350-ON
13	0044569	PIVOT PIN	1	S/N 301-ON
14A	0044598	CLUTCH FORK	1	S/N 301-395
14B	0044717	CLUTCH FORK	1	S/N 396-ON

REPLACEMENT PARTS FOR M/G'S 250/52 S/N 301-884 (THAT WERE MANUFACTURED BY "LASAR MFG" BEFORE 1988)

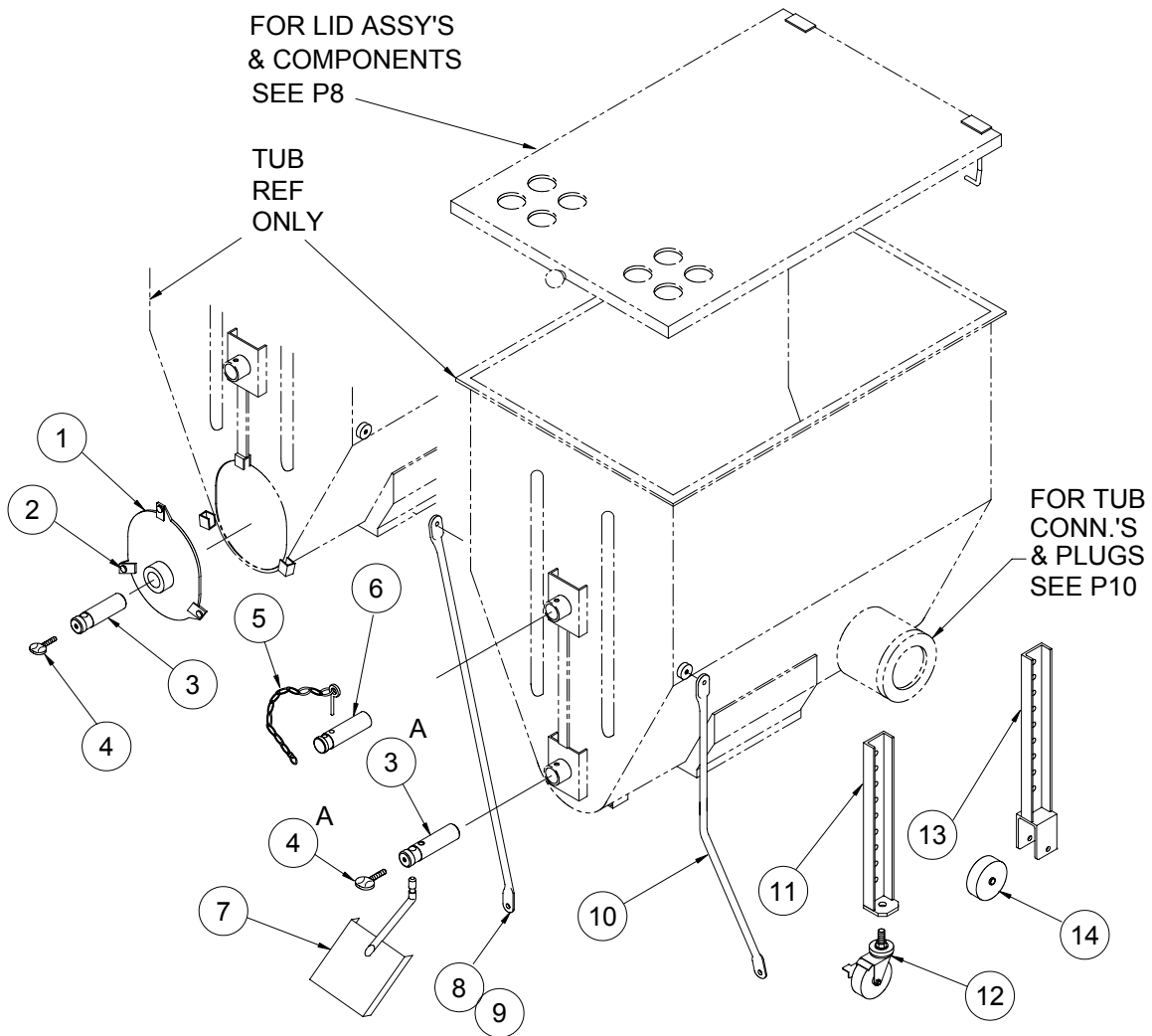
GEAR BOX ASSY AND COMPONENTS CONTINUED FROM PAGE 2



ITEM#	PART#	DESCRIPTION	QTY.	ITEM#	PART#	DESCRIPTION	QTY.
9	0090421	SEAL (LARGE)	1	31	0091021	SMALL SPROCKET	1
16	0090230	RETAINING RING	1	32	0091112	CHAIN ASSEMBLY	1
17	0090322	THRUST BEARING	1	33A	0045091	SPROCKET (ASSY A&B)	1
18	0044571	COVER GEAR BOX	1	33B	0044750	SPROCKET (ASSY C)	1
19	0090716	BUSHING SHAFT	1	34A	0090717	BUSHING (ASSY A&B)	1
20A	0045199	DRIVE SHAFT W/BUSHING (ASSY A)	1	34B	0090326	BEARING (ASSY C)	2
20B	0044706	DRIVE SHAFT W/BUSHING (ASSY B&C)	1	35	0044752	SPACER SPROCKET (ASSY C)	1
21	0090607	WOODRUFF KEY	1	36A	0044180	JACK SHAFT (ASSY A&B)	1
22	0059247-4	KEY	1	36B	0044751	JACK SHAFT (ASSY C)	1
23	0045197	SPACER	1	37	0095171	PIPE PLUG	2
24		GEAR (PURCHASE W/#30)	1	38	0095152	STREET ELBOW	1
25	0090304	BEARING HOUSING	3	39	0044766	RING	A/R
26	0090205	RETAINING RING HOUSING	2	40A	0044570	GEAR BOX ASSEMBLY	1
27	0090404	SEAL (SMALL DRIVE SHAFT)	2	40B	0044704	GEAR BOX ASSEMBLY	1
28	0059061	GASKET	1	40C	0044760	GEAR BOX ASSEMBLY	1
29	0044564	HOUSING	1	41	0044880	REBUILD KIT SEE PAGE3_1	1
30	0043181	PINION & GEAR WHEEL #24	1				

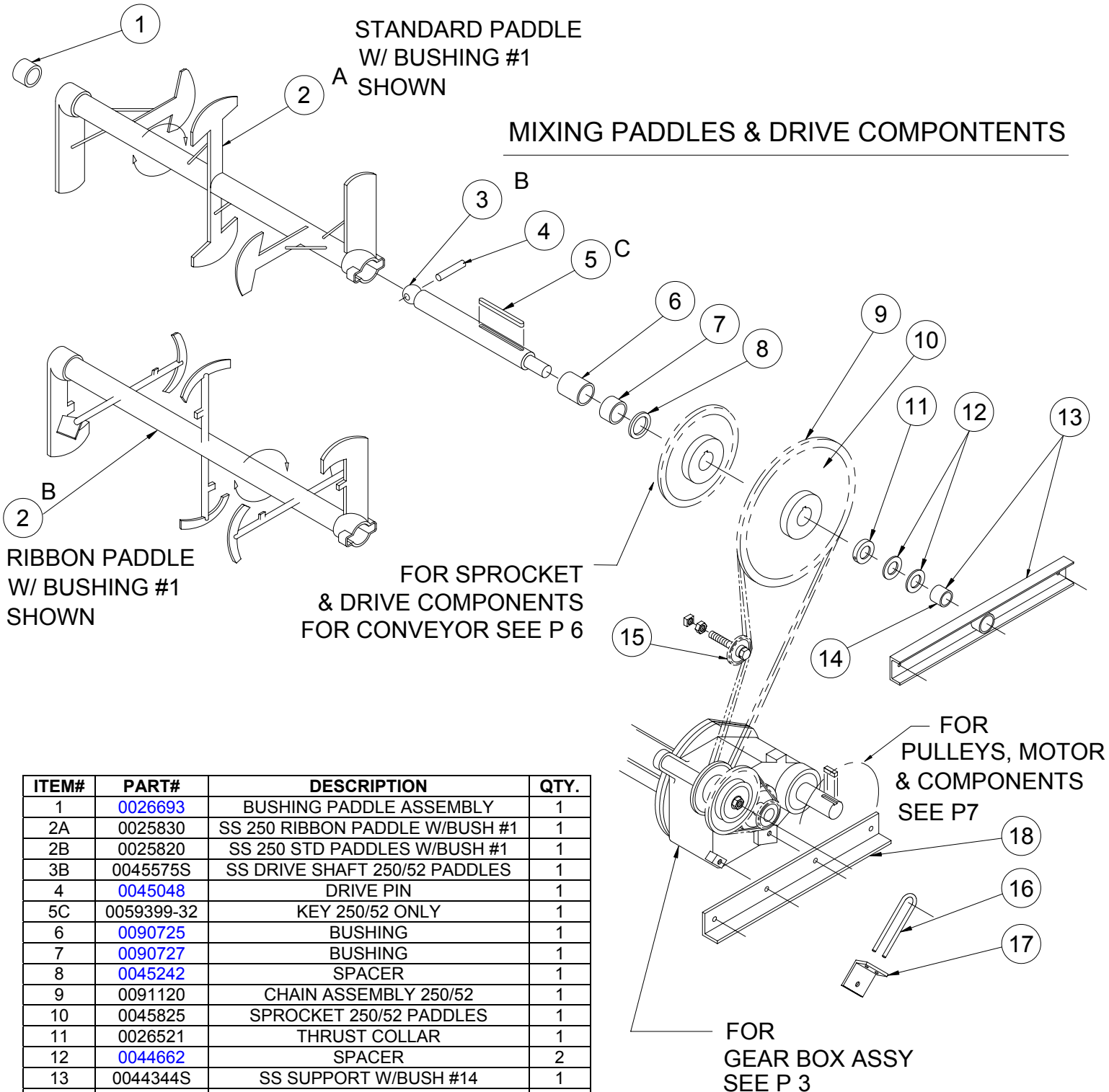
REPLACEMENT PARTS FOR M/G'S 250/52 S/N 301-884 (THAT WERE MANUFACTURED BY "LASAR MFG" BEFORE 1988)

TUB SHAFTS, SUPPORT & CABINET LEGS



ITEM#	PART#	DESCRIPTION	QTY.
1	0045601	250/52 CONVEYOR COVER	1
2	0059193S	SS RIVET CONVEYOR COVER	3
3	0044769	SS SHAFT CONVEYOR COVER	1
3A	0044630	SS SHAFT CONVEYOR	1
4	0010303S	SS THUMB SCREW SHAFT & COVER	4
4A	TS-23-16-S	THUMB SCREW-SHAFT	1
5	0026547S	PIN & CHAIN ASSEMBLY-SS	1
6	0026545	SS SHAFT- PADDLES	1
7	0044626	SPURT GUARD	1
9	0045537S	250/52 LH SS SUPPORT BRACE	1
10	0045536S	250/52 RH SS SUPPORT BRACE	1
11	0044610S	SS FRONT LEG	2
12	0095034	CASTER & BRAKE	2
13	0044605S	SS REAR LEG	2
14	0095035	REAR CASTER WHEEL	2

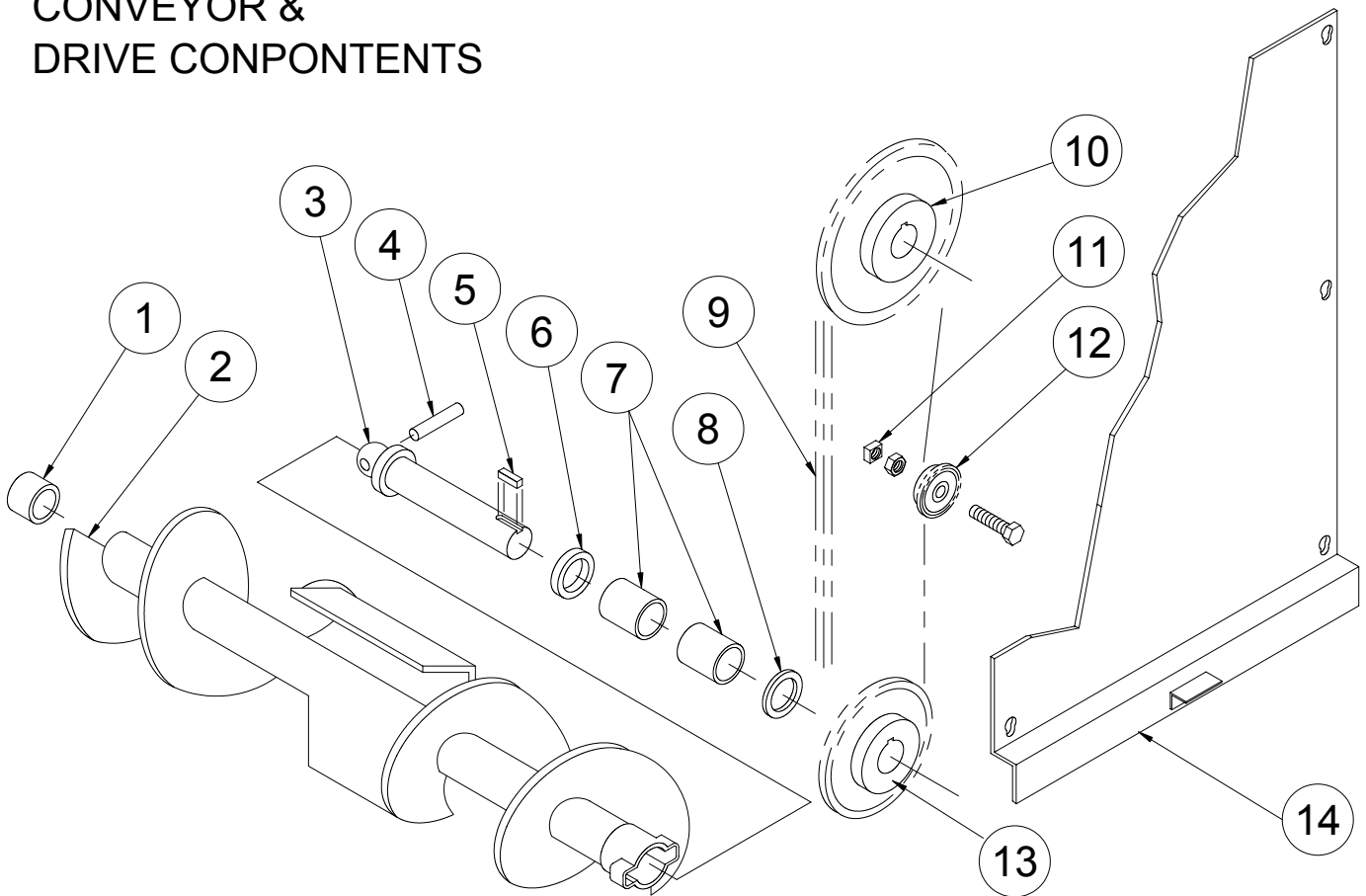
REPLACEMENT PARTS FOR M/G'S 250/52 S/N 301-884 (THAT WERE MANUFACTURED BY "LASAR MFG" BEFORE 1988)



ITEM#	PART#	DESCRIPTION	QTY.
1	0026693	BUSHING PADDLE ASSEMBLY	1
2A	0025830	SS 250 RIBBON PADDLE W/BUSH #1	1
2B	0025820	SS 250 STD PADDLES W/BUSH #1	1
3B	0045575S	SS DRIVE SHAFT 250/52 PADDLES	1
4	0045048	DRIVE PIN	1
5C	0059399-32	KEY 250/52 ONLY	1
6	0090725	BUSHING	1
7	0090727	BUSHING	1
8	0045242	SPACER	1
9	0091120	CHAIN ASSEMBLY 250/52	1
10	0045825	SPROCKET 250/52 PADDLES	1
11	0026521	THRUST COLLAR	1
12	0044662	SPACER	2
13	0044344S	SS SUPPORT W/BUSH #14	1
14	0090718	BUSHING SUPPORT	1
15	0045246	IDLE SPROCKET ASSEMBLY	1
16	0044782	SS YORK-GEAR BOX JACK SHAFT	1
17	0044783	SS BRACKET YORK	1
18	0044638S	SS CROSS BRACKET GEAR BOX	1

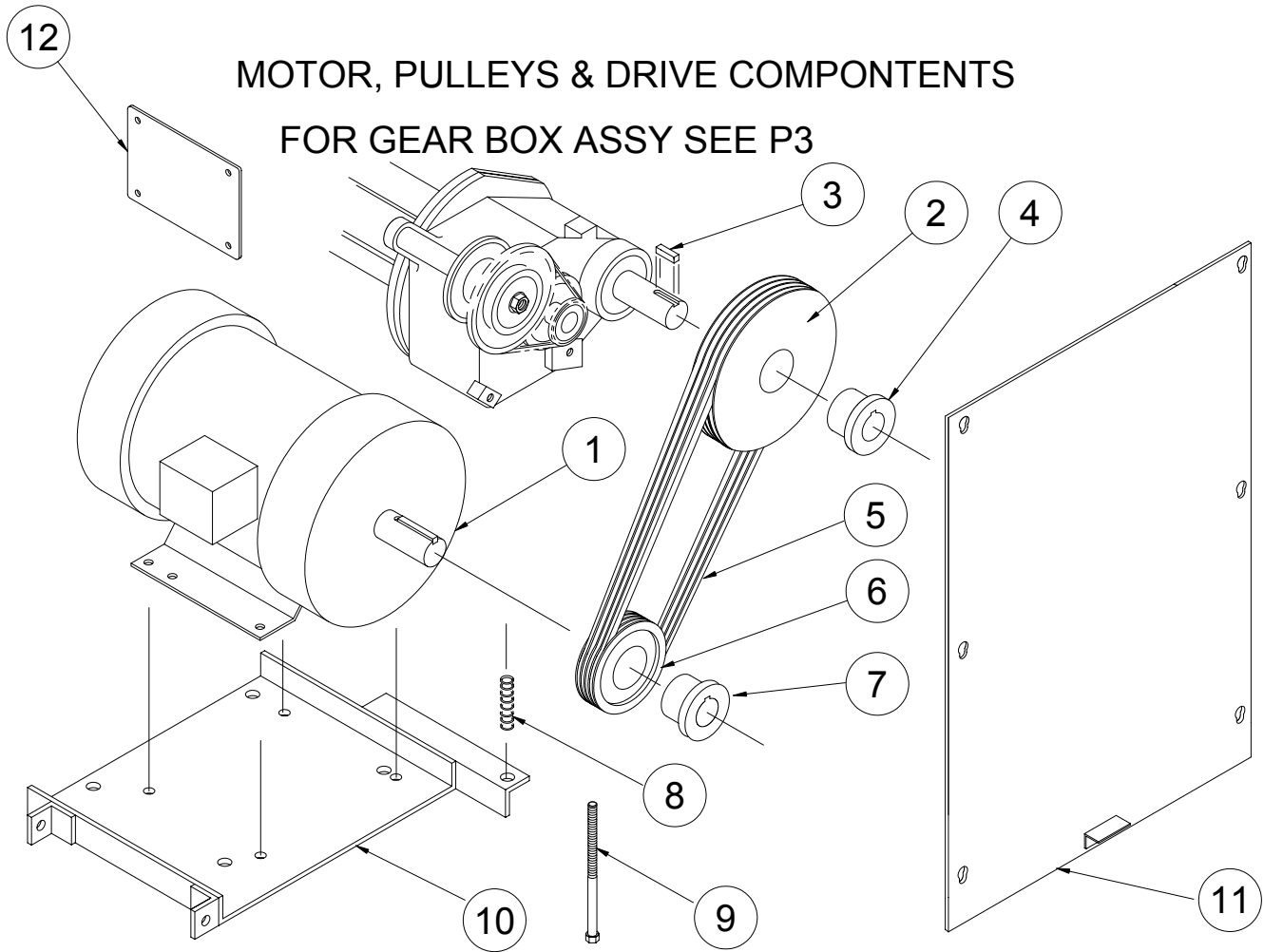
**REPLACEMENT PARTS FOR M/G'S 250/52 S/N 301-884
(THAT WERE MANUFACTURED BY "LASAR MFG" BEFORE 1988)**

**CONVEYOR &
DRIVE CONPONENTS**



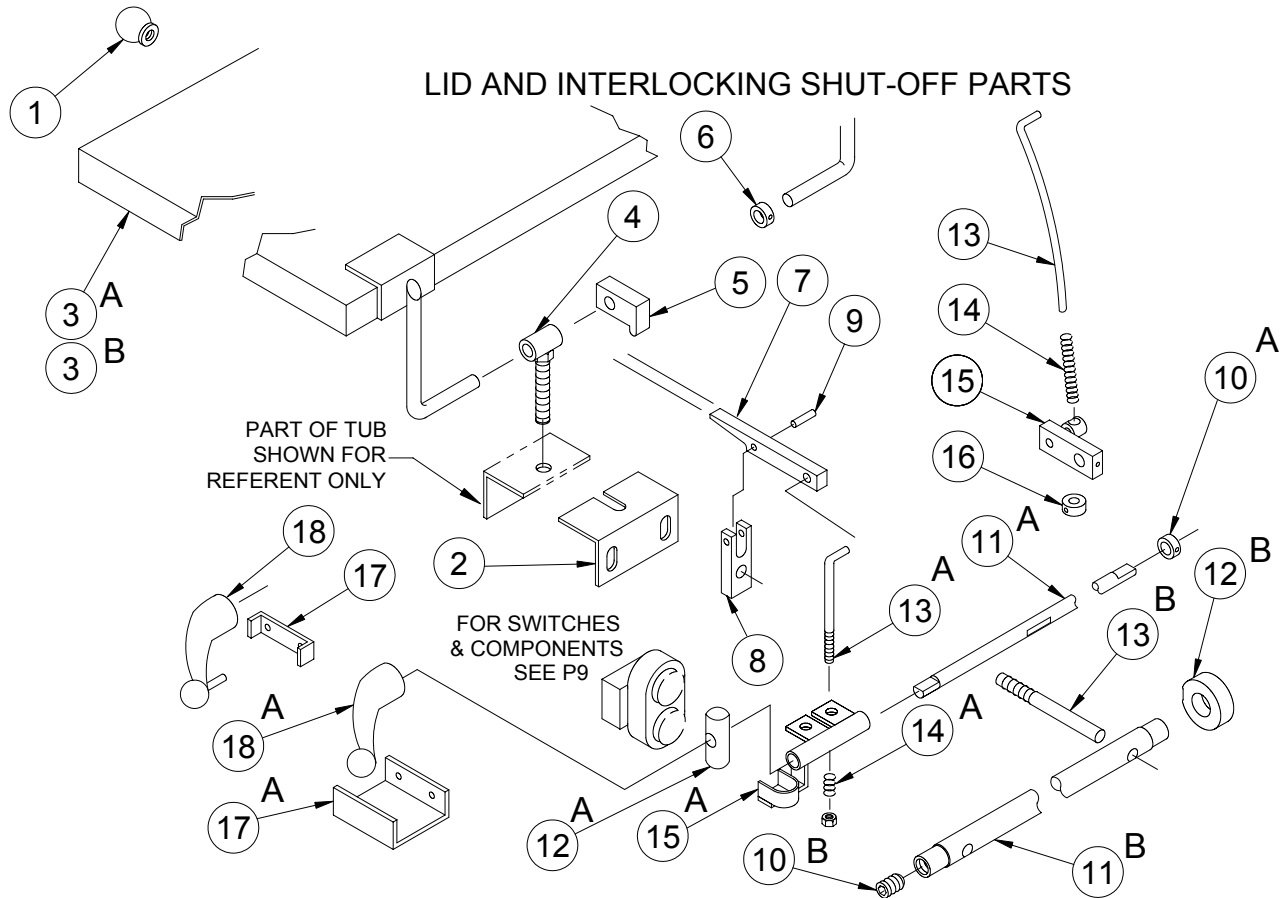
ITEM#	PART#	DESCRIPTION	QTY.
1	0026693	BUSHING CONVEYOR	1
2	0045603S	SS CONVEYOR W/BUSHING #1	1
3	0044615S	DRIVE SHAFT CONVEYOR	1
4	0045048	DRIVE PIN	1
5	0059248-2	KEY	1
6	0044617	THRUST RING	1
7	0090725	BUSHING	1
8	0045242	SPACER	1
9	0091121	DRIVE CHAIN ASSEMBLY	1
10	0091043	UPPER DRIVE SPROCKET	1
11	0044563	SPECIAL NUT	1
12	0044516	IDLE SPROCKET	1
13	0091042	LOWER DRIVEN SPROCKET	1
14	0045570S	250/52 UPPER REAR PANEL	1

**REPLACEMENT PARTS FOR M/G'S 250/52 S/N 301-884
(THAT WERE MANUFACTURED BY "LASAR MFG" BEFORE 1988)**



ITEM#	PART#	DESCRIPTION	QTY.
1		MOTOR SPECIFY HP, VOLTAGE, PHASE, ODP OR TEFC	1
2	0090111	PULLEY UPPER GEAR BOX 250/52	1
3	0059249-10	KEY GEAR BOX PULLEY	1
4	0090153	HUB UPPER PULLEY	1
5	0090515	BELT 250/52	4
6	0090108	PULLEY LOWER DRIVE 250/52	1
7	0090149	HUB MOTOR PULLEY 7 1/2 & 10 HP	1
8	0043157	TENSION SPRING	1
9	0043155S	TENSION BOLT SS	1
10	0044145S	MOTOR BASE SS	1
11	0044680S	LOWER REAR COVER SS	1
12	0010198	ACCESS PLATE SS	2

REPLACEMENT PARTS FOR M/G'S 250/52 S/N 301-884 (THAT WERE MANUFACTURED BY "LASAR MFG" BEFORE 1988)



PARTS COMMON TO ALL 250/52 MG'S			
ITEM#	PART#	DESCRIPTION	QTY.
1	0090638	KNOB	1
2	0045159S	ANGLE BRACKET	1
PARTS FOR 250/52 S/N 301 TO 853 ONLY			
ITEM#	PART#	DESCRIPTION	QTY.
3A	0045203	250/52 LID ASSEMBLY	1
4	0045208S	HINGE LID	1
5	0044183	SWITCH CAM	1
6	0095006S	COLLAR LID	1
7	0045219	LEVER	1
8	0045218	GUIDE BRACKET	1
9	DP-03-12	PIN GUIDE LEVER	
10A	0095006S	COLLAR	1
11A	0045223S	ROD	1
12A	0028356	SWITCH TAPPER	1

PARTS FOR 250/52 S/N 301 TO 737			
ITEM#	PART#	DESCRIPTION	QTY.
13	0045217	SAFETY OFF LINK	1
14	0026090	SPRING	1
15	0045220	SAFETY LINK	1
16	0090652S	COLLAR	1
17	0045278	GUARD HANDLE	1
18	0045279	SWITCH HANDLE	1

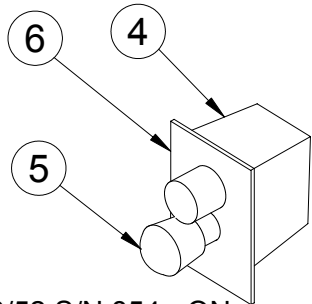
PARTS FOR 250/52 S/N 738 853 ONLY			
ITEM#	PART#	DESCRIPTION	QTY.
13A	0045210	SAFETY OFF LINK	1
14A	0010314S	SPRING	1
15A	0044745	SWITCH LEVER	1
17A	0044187	GUARD HANDLE	1
18A	0090694	SWITCH HANDLE	1

PARTS FOR 250/52 S/N 854 TO 884 ONLY			
ITEM#	PART#	DESCRIPTION	QTY.
3B	0025246	250/52 LID	1
10B	SHSS-28-08-SS	SCREW PIVOT ROD	2
11B	0045821	ROD CAM	1
12B	0040437	SHUT OFF CAM	1
13B	0045822	LID STUD	2

REPLACEMENT PARTS FOR M/G'S 250/52 S/N 301-884 (THAT WERE MANUFACTURED BY "LASAR MFG" BEFORE 1988)

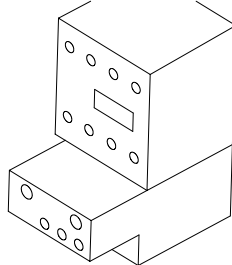
DEFINITE PURPOSE STARTERS AND COMPONENTS

NOTE: CHECK THE MOTOR TO CONFER THE AMP RATING FOR THE HP AND VOLTAGE TO BE USED.

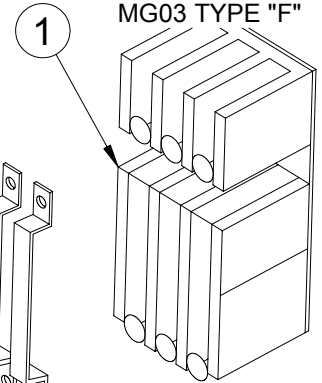


FOR 250/52 S/N 854 - ON

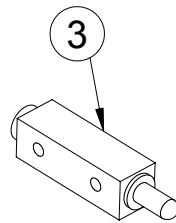
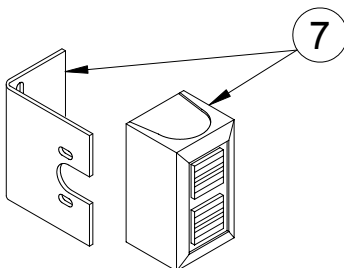
TYPE "A" SWITCH
(CONTACTOR AND OVERLOAD)
SEE CHART MG03 TYPE "A"



TYPE "F" SWITCH
CONTACTOR
SEE CHART
MG03 TYPE "F"



HEATERS
(3 PER 3PH
"F" TYPE SWITCH)



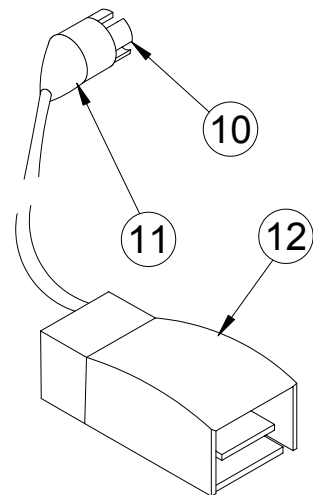
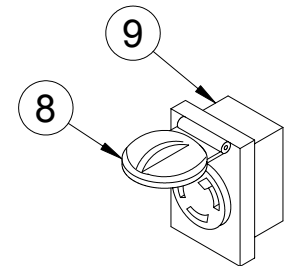
FOR 250/52 S/N 301 TO 853

1
"F" TYPE

2
"F" TYPE

1 A
"A" TYPE

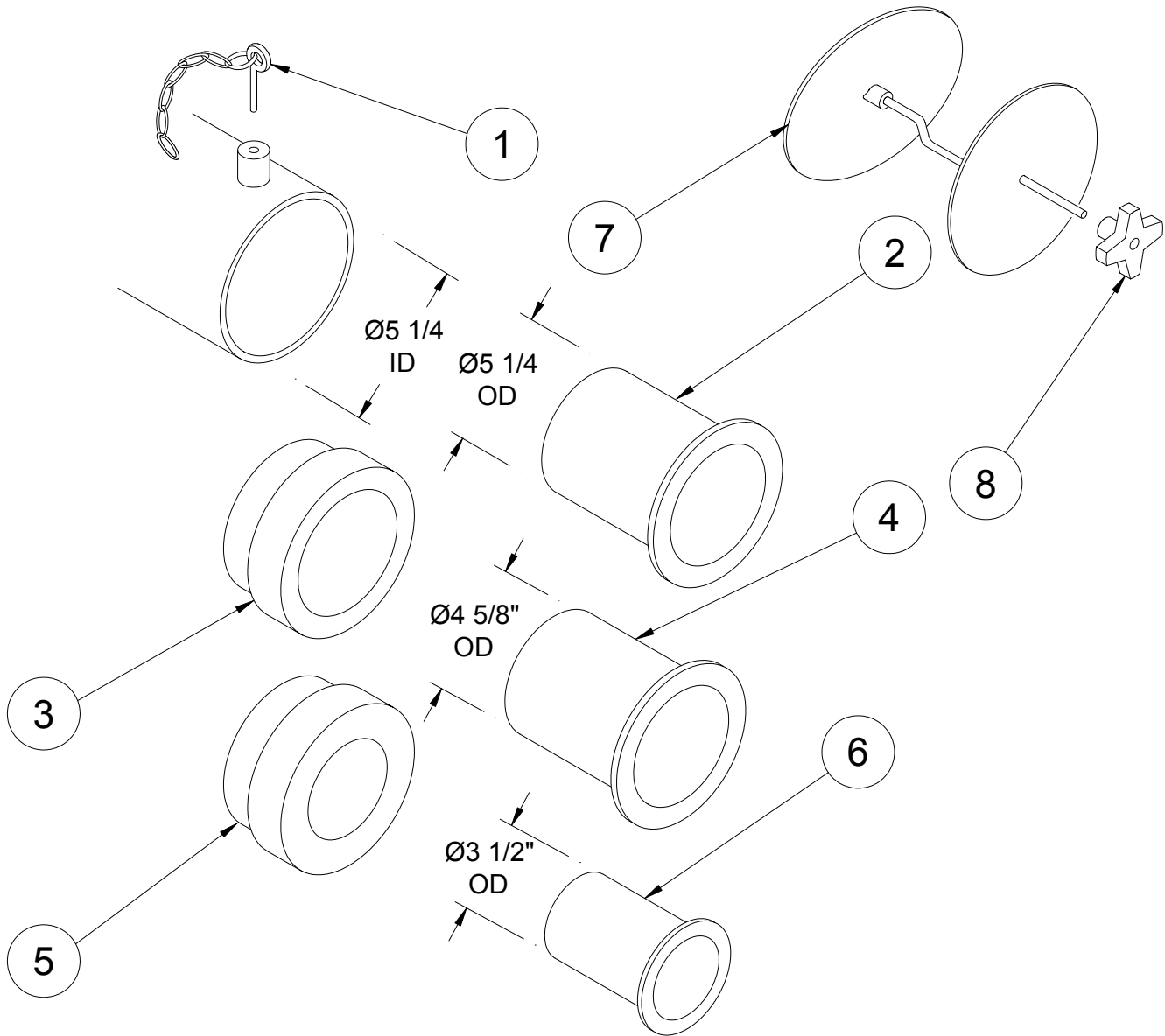
HP	3 PHASE VOLTAGES				SWITCH WITH OUT HEATERS	HEATERS (QTY 3)		SWITCH WITH O/L
	575V	460V	230V	200V	PART#	#	PART#	093649
10	11.0				0093010	E 54	0093538	0093646
		13.0			0093008	E 56	0093540	0093657
			26.0		0093011	E 67	0093546	0093659
				33.0	0093011	E 70	0093547	0093653



ITEM#	PART#	DESCRIPTION	QTY.
3	0093271	LIMIT SWITCH S/N 854-ON	1
4	0093285	PUSH BUTTON SWITCH ASSEMBLY S/N 854-ON	1
5	0093290	STOP BUTTON ASSEMBLY S/N 854-ON	1
6	0040104	SWITCH HOLDER PLATE S/N 854-ON	1
7	0059370-MG	PUSH BUTTON KIT (REPLACES 0059370)	1
8	0093118	COVER FOR RECEPTACLE	1
9	0093115	FOOT SWITCH RECEPTACLE (F)	1
10	0093114	FOOT SWITCH PLUG (M)	1
11	0093117	BOOT FOR FOOT SWITCH PLUG	1
12	0093052	FOOT SWITCH ASSEMBLY	1

**REPLACEMENT PARTS FOR M/G'S 250/52 S/N 301-884
(THAT WERE MANUFACTURED BY "LASAR MFG" BEFORE 1988)**

TUBES, (HORN) ADAPTERS & TUB PLUG ASSY



ITEM#	PART#	DESCRIPTION	QTY.
1	0026547S	PIN & CHAIN ASSEMBLY	1
2	0057170	56 CONNECTOR TUBE (HORN)	1
3	0053033	56 TO 52 REDUCER	1
4	0053030	52 CONNECTOR TUBE (HORN)	1
5	0042548	56 TO 42 REDUCER	1
6	0042545	42 CONNECTOR TUBE (HORN)	1
7	0044855	150 & 250 TUB PLUG ASSEMBLY	1
8	0095257	LOCKING KNOB	1