



# CATALOG OF REPLACEMENT PARTS



## PC PROOFER AND RP RETARDER/PROOFER

### PC100

|           |           |
|-----------|-----------|
| ML-132125 | ML-132126 |
| ML-132127 | ML-132128 |
| ML-132129 | ML-132130 |
| ML-132131 |           |

### PC200

|           |           |
|-----------|-----------|
| ML-132132 | ML-132133 |
| ML-132134 | ML-132135 |
| ML-132136 | ML-132137 |
| ML-132138 |           |

### PC300

|           |           |
|-----------|-----------|
| ML-132139 | ML-132140 |
| ML-132141 | ML-132142 |
| ML-132143 | ML-132144 |
| ML-132145 |           |

### RP100

|           |           |
|-----------|-----------|
| ML-132146 | ML-132147 |
| ML-132148 | ML-132149 |
| ML-132150 | ML-132151 |
| ML-132152 |           |

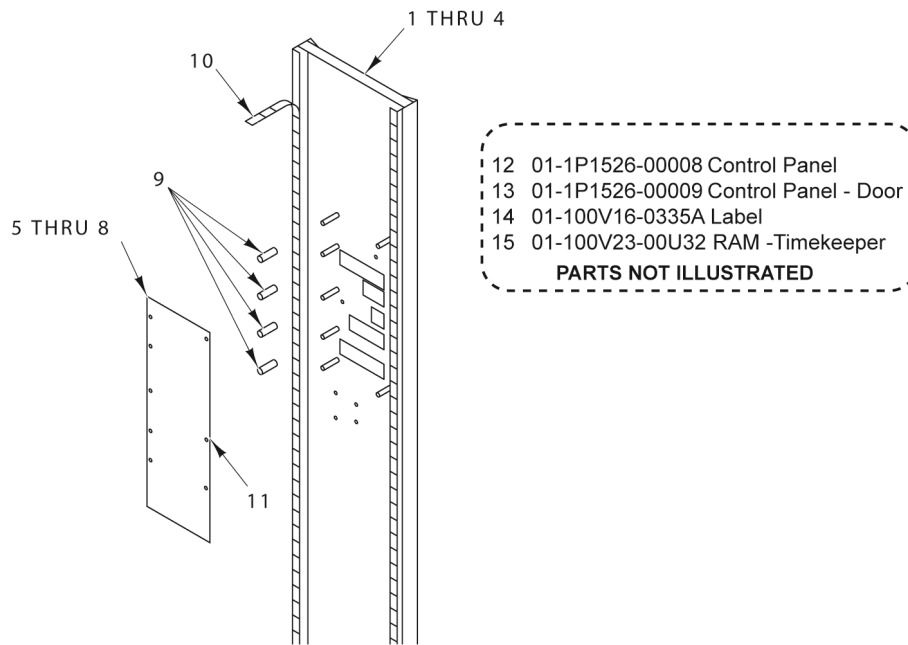
### RP100

|           |           |
|-----------|-----------|
| ML-132217 | ML-132218 |
| ML-132219 | ML-132220 |
| ML-132221 | ML-132222 |
| ML-132223 |           |



### Table of Contents

|    |  |
|----|--|
| 5  | CONTROL PANEL  |
| 7  | SINGLE DOOR CABINET  |
| 9  | DOUBLE DOOR CABINET  |
| 11 | TRIPLE DOOR CABINET  |
| 13 | SINGLE DOOR  |
| 15 | DOUBLE DOOR  |
| 17 | TRIPLE DOOR  |
| 19 | FRONT TRIM AND BUMPER  |
| 21 | AIR SUPPLY   |
| 23 | CONTROL/SERVICE ENTRANCE, THERMISTOR, AND HUMIDITY<br>SENSOR |
| 25 | WATER SUPPLY AND UPPER TRIM                                  |
| 27 | CONDENSER (R22) (RETARDER/PROOFER)                           |
| 29 | REFRIGERATION FLEX CONDUIT (RETARDER/PROOFER)                |

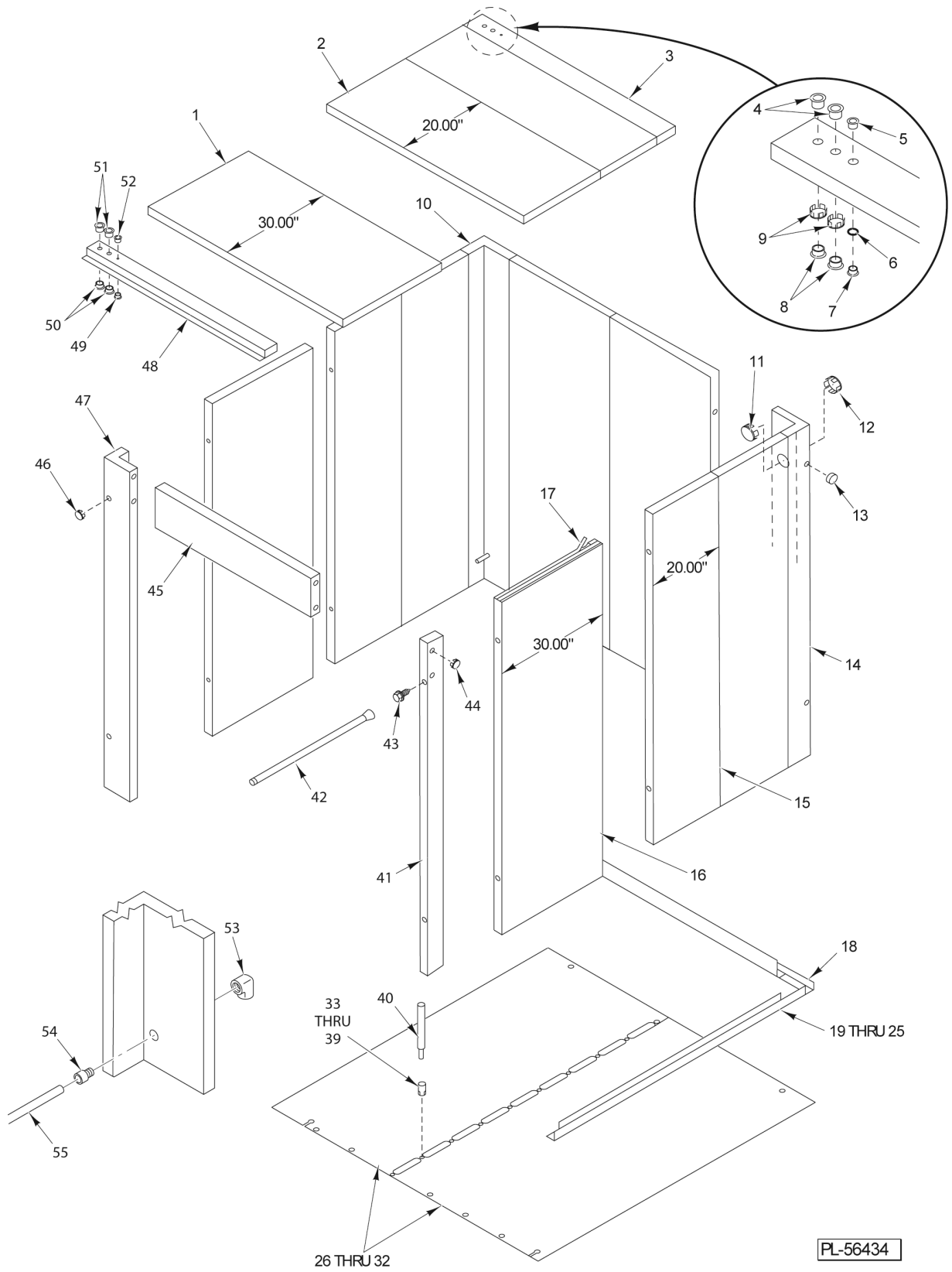


PL-56657

### CONTROL PANEL

**CONTROL PANEL**

| ILLUS.   | PART NO.        | NAME OF PART   | AMT. |
|----------|-----------------|--|------|
| PL-56657 |                 |  |      |
| 1        | 01-1A2293-00006 | Panel - Weldment (W/O Fas-Thaw) (Retarder/Proofer).....                  | 1    |
| 2        | 01-1A2293-00007 | Panel - Weldment (With Fas-Thaw) (Retarder/Proofer).....                 | 1    |
| 3        | 01-1A2293-00008 | Panel - Weldment (W/O Fas-Thaw) (Proofer).....                           | 1    |
| 4        | 01-1A2293-00009 | Panel - Weldment (With Fas-Thaw) (Proofer).....                          | 1    |
| 5        | 01-1P1462-00001 | PC Board Control W/O Fas-Thaw (Proofer).....                             | 1    |
| 6        | 01-1P1462-00002 | PC Board Control With Fas-Thaw (Proofer).....                            | 1    |
| 7        | 01-1P1462-00003 | PC Board Control W/O Fas-Thaw (Retarder/Proofer) (Retarder/Proofer)..... | 1    |
| 8        | 01-1P1462-00004 | PC Board Control w/Fas-Thaw (Retarder/Proofer).....                      | 1    |
| 9        | 01-1M3001-00002 | Spacer - PC Board.....   | 8    |
| 10       | 01-100V21-00092 | Gasket - PVC-Extruded ("B" Shape).....                                   | AR   |
| 11       | 01-100V23-00S3B | Cap - Black Rubber (For Switches).....                                   | AR   |
| 12       | 01-1P1526-00008 | Control Panel (Incls. Items 5, 9, & 10).....                             | 1    |
| 13       | 01-1P1526-00009 | Control Panel - Door (W/Fas-Thaw) (Incls. Items 6, 9, & 10).....         | 1    |
| 14       | 01-100V16-0335A | Label - Control Panel Setup.....   | 1    |
| 15       | 01-100V23-00U32 | RAM - Timekeeper, Zero Power (Battery).....                              | 1    |

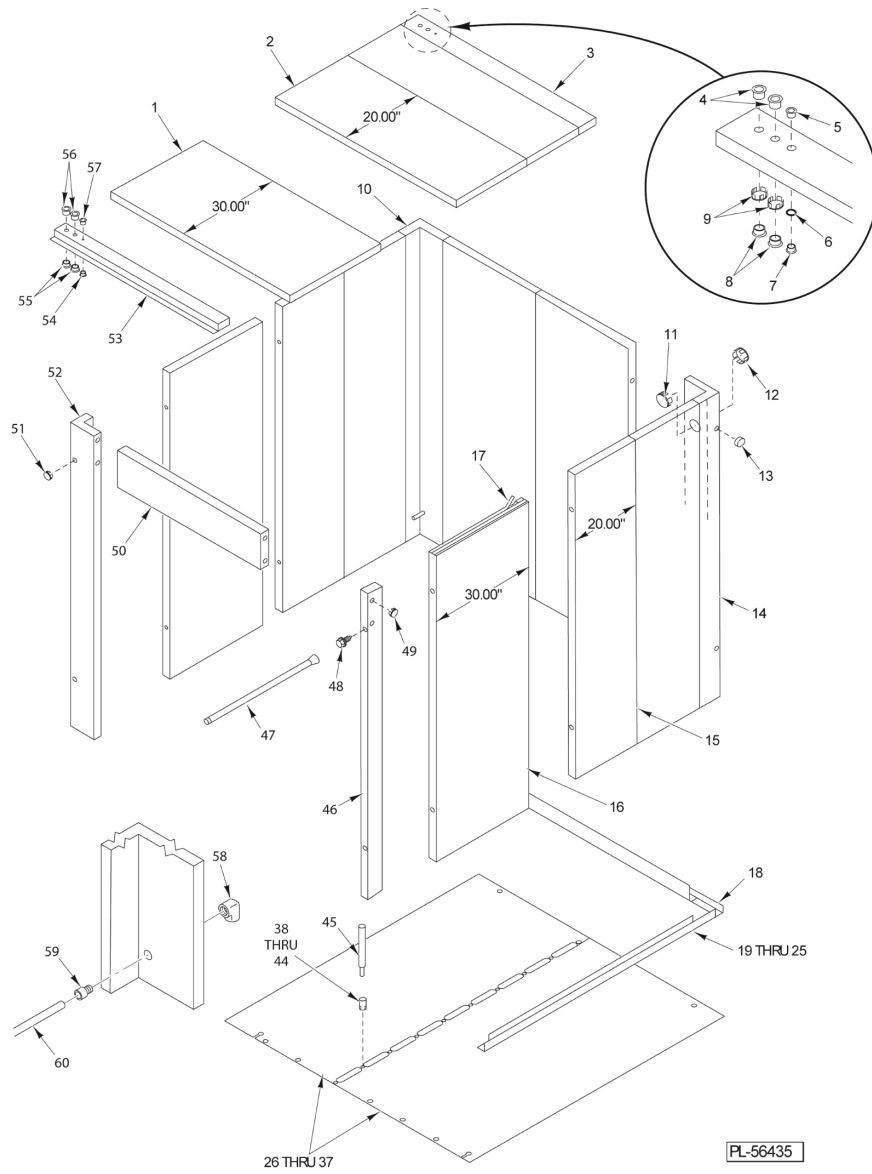


PL-56434

**SINGLE DOOR CABINET**

## SINGLE DOOR CABINET

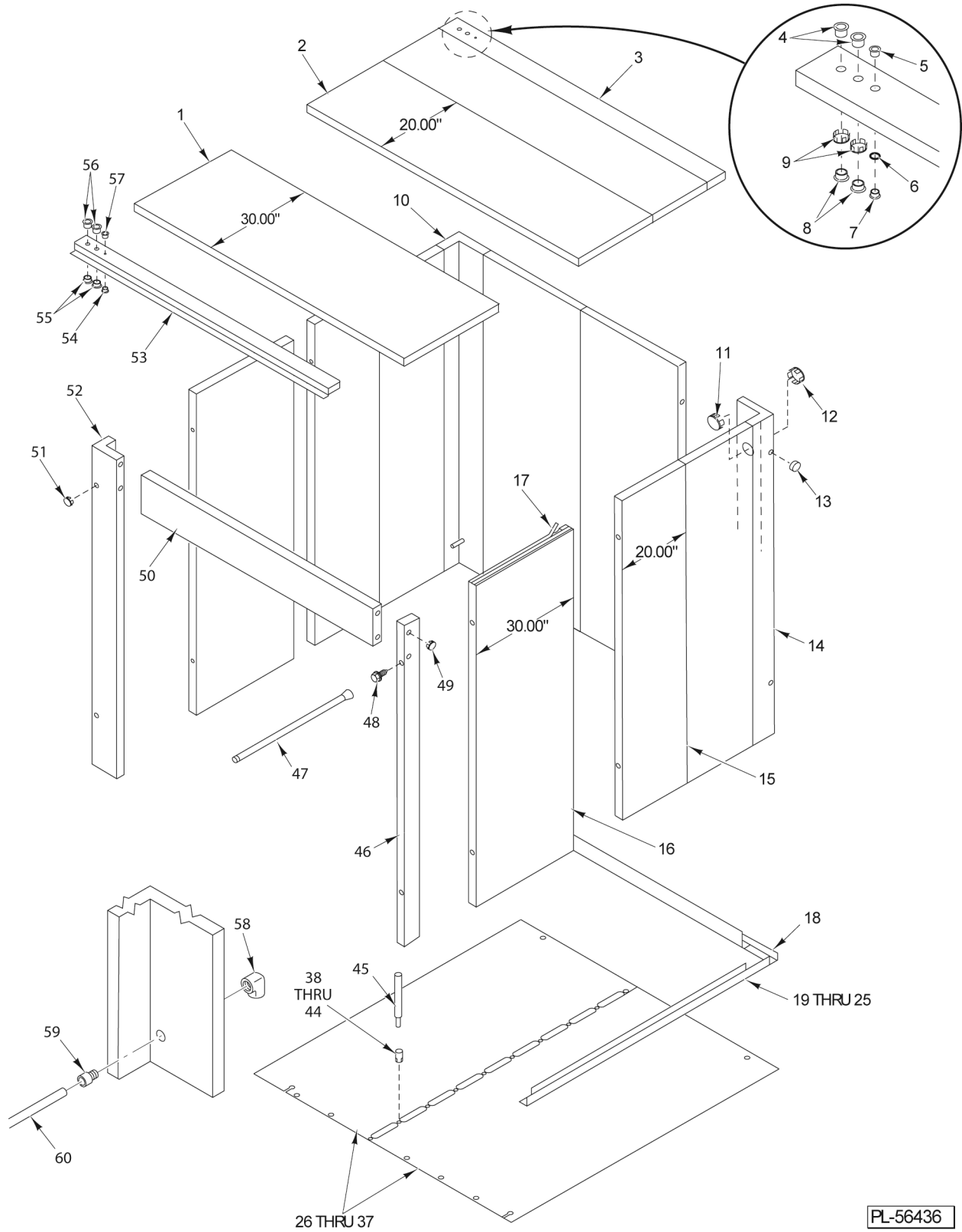
| ILLUS.<br>PL-56434 | PART NO.        | NAME OF PART   | AMT. |
|--------------------|-----------------|--|------|
| 1                  | 01-1P1242-00004 | NLA - Obsolete--Panel - Ceiling (30 In. x 38 In.).....                 | AR   |
| 2                  | 01-1P1242-00001 | Panel - Ceiling (20 In. x 38 In.).....                                 | AR   |
| 3                  | 01-1P1266-00001 | Ceiling - Rear.....  | 1    |
| 4                  | 01-1000V5-00035 | Bushing - Snap (1 In.).....  | 2    |
| 5                  | 01-1000V5-00143 | Bushing - Snap 5/8.....  | 2    |
| 6                  | 01-100V15-00049 | Plug - Nickel Plated 5/8.....  | 1    |
| 7                  | 01-1000V5-00143 | Bushing - Snap 5/8.....  | 2    |
| 8                  | 01-1000V5-00035 | Bushing - Snap (1 In.).....  | 2    |
| 9                  | 01-100V15-00058 | Plug - Nickel Plated 1 In.....   | 4    |
| 10                 | 01-1P1225-00002 | Corner - Rear (Left Side).....   | 1    |
| 11                 | 01-100V15-00047 | Plug - Nickel Plated (1-1/4 In.).....                                  | 3    |
| 12                 | 01-100V15-00058 | Plug - Nickel Plated 1 In.....   | 1    |
| 13                 | 01-100V15-00065 | Plug - Modified.....   | 12   |
| 14                 | 01-1P1225-00001 | Corner - Rear (Right Side).....  | 1    |
| 15                 | 01-1P1219-00001 | NLA - Obsolete--Panel - Wall (20 In. Wide).....                        | AR   |
| 16                 | 01-1P1219-00002 | NLA - Obsolete--Panel - Wall (30 In. Wide).....                        | AR   |
| 17                 | 01-100V21-00092 | Gasket - PVC-Extruded ("B" Shape) (Per Foot).....                      | AR   |
| 18                 | 01-1P1275-03800 | Channel - Base Rear (38.00 In.).....                                   | 1    |
| 19                 | 01-1P1275-02506 | Channel - Base Side (25.06 In.).....                                   | 2    |
| 20                 | 01-1P1275-03506 | Channel - Base Side (35.06 In.).....                                   | 2    |
| 21                 | 01-1P1275-04506 | Channel - Base Side (45.06 In.).....                                   | 2    |
| 22                 | 01-1P1275-05506 | Channel - Base Side (55.06 In.).....                                   | 2    |
| 23                 | 01-1P1275-06506 | Channel - Base Side (65.06 In.).....                                   | 2    |
| 24                 | 01-1P1275-07506 | Channel - Base Side (75.06 In.).....                                   | 2    |
| 25                 | 01-1P1275-11506 | Channel - Base Side (115.06 In.).....                                  | 2    |
| 26                 | 01-1P1306-00028 | Floor Assy. (36.08 In.).....   | 1    |
| 27                 | 01-1P1306-00038 | Floor Assy. (46.08 In.).....   | 1    |
| 28                 | 01-1P1306-00048 | Floor Assy. (56.08 In.).....   | 1    |
| 29                 | 01-1P1306-00058 | Floor Assy. (66.08 In.).....   | 1    |
| 30                 | 01-1P1306-00068 | Floor Assy. (76.08 In.).....   | 1    |
| 31                 | 01-1P1306-00078 | Floor Assy. (86.08 In.).....   | 1    |
| 32                 | 01-1P1306-00118 | Floor Assy. (126.08 In.).....  | 1    |
| 33                 | 01-1000V4-00073 | Anchor - Drop-In 1/4-20.....   | AR   |
| 34                 | 01-1000V4-00221 | Mach. Screw 1/4-20 x 1/2 Phil. Flat Hd. (SST) (Security with Pin)..... | AR   |
| 35                 | 01-1000V4-00482 | Mach. Screw 1/4-20 x 1/2 Phil. Flat Hd. (SST).....                     | AR   |
| 36                 | 01-1000V4-00222 | Mach. Screw 1/4-20 x 3/4 Phil. Flat Hd. (SST) (Security with Pin)..... | AR   |
| 37                 | 01-1000V4-00481 | Mach. Screw 1/4 - 20 x 3/4 Phil. Flat Hd. (SST).....                   | AR   |
| 38                 | 01-1000V4-00223 | Mach. Screw 1/4-20 x 1 Phil. Flat Hd. (SST) (Security with Pin).....   | AR   |
| 39                 | 01-1000V4-00480 | Mach. Screw 1/4 - 20 x 1 Phil. Flat Hd. (SST).....                     | AR   |
| 40                 | 01-1000V4-0073A | Tool - Setting.....  | 1    |
| 41                 | 01-1P1509-00002 | NLA - Obsolete--Jamb - Outer (Right Side).....                         | 1    |
| 42                 | 01-1P1334-00001 | Socket - Extender Assy.....  | 1    |
| 43                 | 01-1000V4-00102 | Screw - Gimlet Point Hex Hd.....                                       | AR   |
| 44                 | 01-100V15-00065 | Plug - Modified.....   | 6    |
| 45                 | 01-1P1238-00001 | NLA - Obsolete--Header.....  | 1    |
| 46                 | 01-100V15-00065 | Plug - Modified.....   | 6    |
| 47                 | 01-1P1509-00001 | Jamb - Outer (Left side).....  | 1    |
| 48                 | 01-1P1347-00001 | Filler - Ceiling.....  | 1    |
| 49                 | 01-1000V5-00143 | Bushing - Snap 5/8.....  | 1    |
| 50                 | 01-1000V5-00035 | Bushing - Snap (1 In.).....  | 2    |
| 51                 | 01-1000V5-00035 | Bushing - Snap (1 In.).....  | 2    |
| 52                 | 01-1000V5-00143 | Bushing - Snap 5/8.....  | 1    |
| 53                 | 01-100V17-00313 | Elbow.....   | 1    |
| 54                 | 01-100V17-00326 | Fitting 5/8 In. Comp. x 1/2 In. NPTM.....                              | 2    |
| 55                 | 01-100V17-00102 | Tubing Copper 5/8 O.D.....   | AR   |



**DOUBLE DOOR CABINET**

## DOUBLE DOOR CABINET

| ILLUS.<br>PL-56435 | PART NO.        | NAME OF PART   | AMT. |
|--------------------|-----------------|--|------|
| 1                  | 01-1P1242-00006 | Panel - Ceiling (30 In. x 78.62 In.).....                              | AR   |
| 2                  | 01-1P1242-00003 | NLA - Obsolete--Panel - Ceiling (20 In. x 78.62 In.).....              | AR   |
| 3                  | 01-1P1266-00002 | Ceiling - Rear.....  | 1    |
| 4                  | 01-1000V5-00035 | Bushing - Snap (1 In.).....  | AR   |
| 5                  | 01-1000V5-00143 | Bushing - Snap 5/8.....  | 4    |
| 6                  | 01-100V15-00049 | Plug - Nickel Plated 5/8.....  | 1    |
| 7                  | 01-1000V5-00143 | Bushing - Snap 5/8.....  | 4    |
| 8                  | 01-1000V5-00035 | Bushing - Snap (1 In.).....  | AR   |
| 9                  | 01-100V15-00058 | Plug - Nickel Plated 1 In.....   | 6    |
| 10                 | 01-1P1225-00003 | Corner - Rear (Left Side).....   | 1    |
| 11                 | 01-100V15-00047 | Plug - Nickel Plated (1-1/4 In.).....                                  | 4    |
| 12                 | 01-100V15-00049 | Plug - Nickel Plated 5/8.....  | 1    |
| 13                 | 01-100V15-00065 | Plug - Modified.....   | 10   |
| 14                 | 01-1P1225-00001 | Corner - Rear (Right Side).....  | 1    |
| 15                 | 01-1P1219-00001 | NLA - Obsolete--Panel - Wall (20 In. Wide).....                        | AR   |
| 16                 | 01-1P1219-00002 | NLA - Obsolete--Panel - Wall (30 In. Wide).....                        | AR   |
| 17                 | 01-100V21-00092 | Gasket - PVC-Extruded ("B" Shape) (Per Foot).....                      | AR   |
| 18                 | 01-1P1275-07862 | Channel - Base Rear (78.62 In.).....                                   | 1    |
| 19                 | 01-1P1275-02506 | Channel - Base Side (25.06 In.).....                                   | 2    |
| 20                 | 01-1P1275-03506 | Channel - Base Side (35.06 In.).....                                   | 2    |
| 21                 | 01-1P1275-04506 | Channel - Base Side (45.06 In.).....                                   | 2    |
| 22                 | 01-1P1275-05506 | Channel - Base Side (55.06 In.).....                                   | 2    |
| 23                 | 01-1P1275-06506 | Channel - Base Side (65.06 In.).....                                   | 2    |
| 24                 | 01-1P1275-07506 | Channel - Base Side (75.06 In.).....                                   | 2    |
| 25                 | 01-1P1275-11506 | Channel - Base Side (115.06 In.).....                                  | 2    |
| 26                 | 01-1P1307-00028 | Floor Assy. (31.08 In.).....   | 1    |
| 27                 | 01-1P1307-00038 | Floor Assy. (41.08 In.).....   | 1    |
| 28                 | 01-1P1307-00048 | Floor Assy. (51.08 In.).....   | 1    |
| 29                 | 01-1P1307-00058 | Floor Assy. (61.08 In.).....   | 1    |
| 30                 | 01-1P1307-00068 | Floor Assy. (71.08 In.).....   | 1    |
| 31                 | 01-1P1307-00078 | Floor Assy. (81.08 In.).....   | 1    |
| 32                 | 01-1P1307-00118 | Floor Assy. (121.08 In.).....  | 1    |
| 33                 | 01-1P1307-0048R | Floor Assy. (51.08 In.).....   | 1    |
| 34                 | 01-1P1307-0058R | Floor Assy. (61.08 In.).....   | 1    |
| 35                 | 01-1P1307-0068R | Floor Assy. (71.08 In.).....   | 1    |
| 36                 | 01-1P1307-0078R | Floor Assy. (81.08 In.).....   | 1    |
| 37                 | 01-1P1307-0118R | Floor Assy. (121.08 In.).....  | 1    |
| 38                 | 01-1000V4-00073 | Anchor - Drop-In 1/4-20.....   | AR   |
| 39                 | 01-1000V4-00221 | Mach. Screw 1/4-20 x 1/2 Phil. Flat Hd. (SST) (Security with Pin)..... | AR   |
| 40                 | 01-1000V4-00482 | Mach. Screw 1/4-20 x 1/2 Phil. Flat Hd. (SST).....                     | AR   |
| 41                 | 01-1000V4-00222 | Mach. Screw 1/4-20 x 3/4 Phil. Flat Hd. (SST) (Security with Pin)..... | AR   |
| 42                 | 01-1000V4-00481 | Mach. Screw 1/4 - 20 x 3/4 Phil. Flat Hd. (SST).....                   | AR   |
| 43                 | 01-1000V4-00223 | Mach. Screw 1/4-20 x 1 Phil. Flat Hd. (SST) (Security with Pin).....   | AR   |
| 44                 | 01-1000V4-00480 | Mach. Screw 1/4 - 20 x 1 Phil. Flat Hd. (SST).....                     | AR   |
| 45                 | 01-1000V4-0073A | Tool - Setting.....  | 1    |
| 46                 | 01-1P1509-00005 | Jamb - Outer (Right Side).....   | 1    |
| 47                 | 01-1P1334-00001 | Socket - Extender Assy.....  | 1    |
| 48                 | 01-1000V4-00102 | Screw - Gimlet Point Hex Hd.....                                       | AR   |
| 49                 | 01-100V15-00065 | Plug - Modified.....   | 10   |
| 50                 | 01-1P1238-00002 | Header.....  | 1    |
| 51                 | 01-100V15-00065 | Plug - Modified.....   | 10   |
| 52                 | 01-1P1509-00003 | Jamb - Outer (Left Side).....  | 1    |
| 53                 | 01-1P1348-00002 | Filler - Ceiling.....  | 1    |
| 54                 | 01-1000V5-00143 | Bushing - Snap 5/8.....  | 4    |
| 55                 | 01-1000V5-00035 | Bushing - Snap (1 In.).....  | AR   |
| 56                 | 01-1000V5-00035 | Bushing - Snap (1 In.).....  | AR   |
| 57                 | 01-1000V5-00143 | Bushing - Snap 5/8.....  | 4    |
| 58                 | 01-100V17-00313 | Elbow.....   | 1    |
| 59                 | 01-100V17-00326 | Fitting 5/8 In. Comp. x 1/2 In. NPTM.....                              | 2    |
| 60                 | 01-100V17-00102 | Tubing Copper 5/8 O.D.....   | AR   |

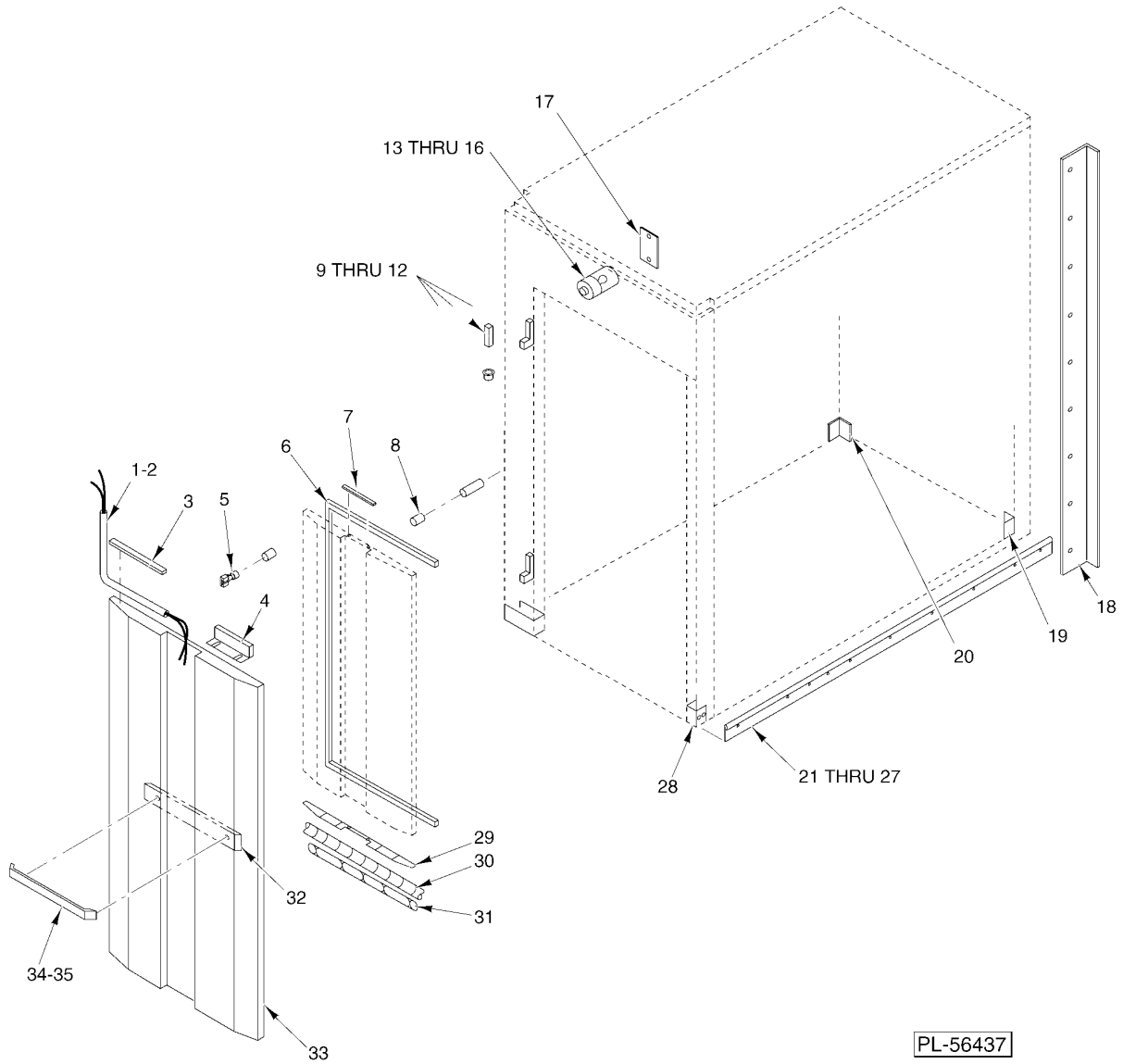


PL-56436

**TRIPLE DOOR CABINET**

## TRIPLE DOOR CABINET

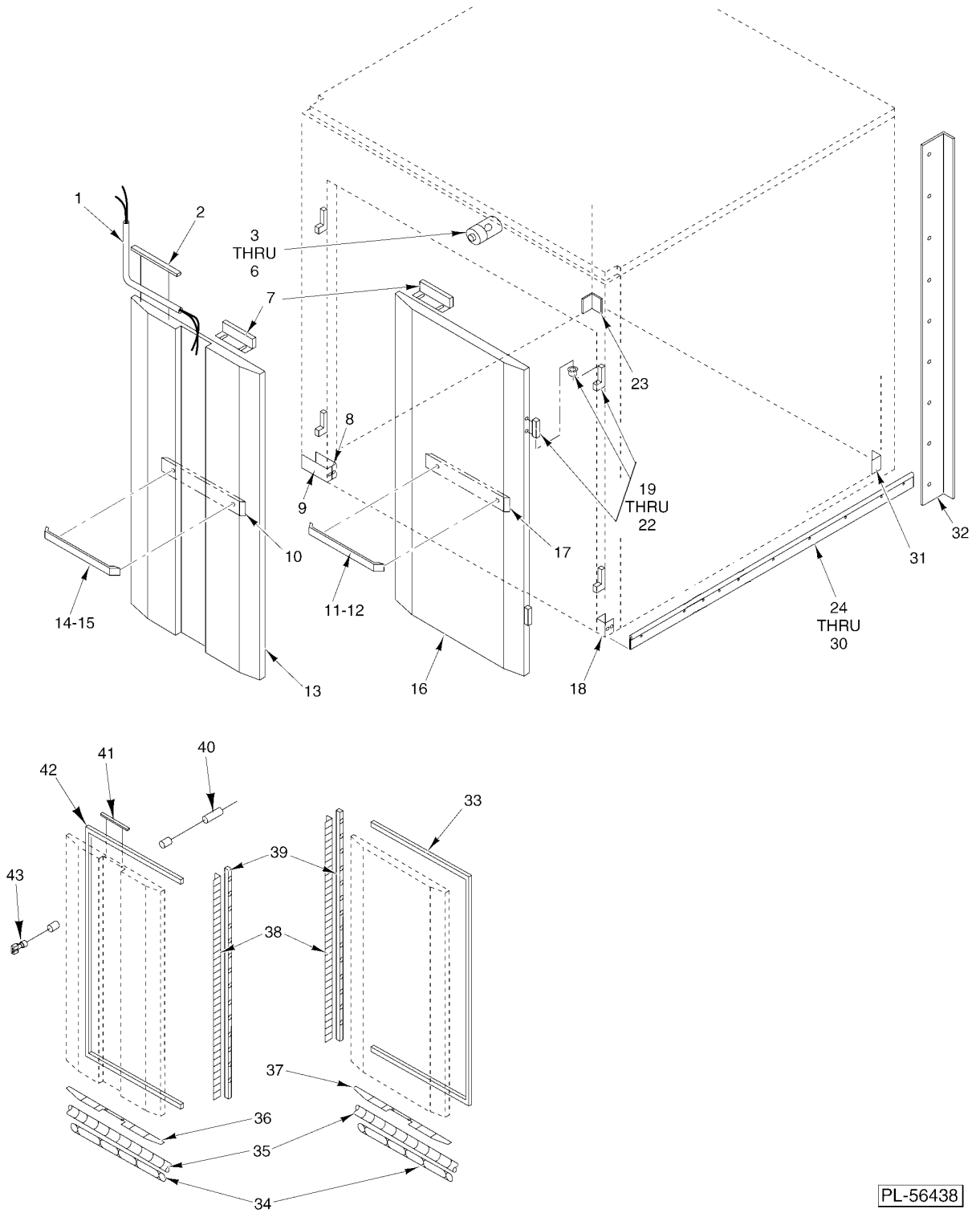
| ILLUS.<br>PL-56436 | PART NO.        | NAME OF PART   | AMT. |
|--------------------|-----------------|--|------|
| 1                  | 01-1P1515-00008 | Panel - Ceiling (30 In. x 118-5/8 In.).....                            | AR   |
| 2                  | 01-1P1515-00004 | Panel - Ceiling (20 x 118-5/8 In.).....                                | AR   |
| 3                  | 01-1P1266-00003 | Ceiling - Rear.....  | 1    |
| 4                  | 01-1000V5-00035 | Bushing - Snap (1 In.).....  | 2    |
| 5                  | 01-1000V5-00143 | Bushing - Snap 5/8.....  | 1    |
| 6                  | 01-100V15-00049 | Plug - Nickel Plated 5/8.....  | 1    |
| 7                  | 01-1000V5-00143 | Bushing - Snap 5/8.....  | 1    |
| 8                  | 01-1000V5-00035 | Bushing - Snap (1 In.).....  | 2    |
| 9                  | 01-100V15-00058 | Plug - Nickel Plated 1 In.....   | 6    |
| 10                 | 01-1P1225-00003 | Corner - Rear (Left Side).....   | 1    |
| 11                 | 01-100V15-00047 | Plug - Nickel Plated (1-1/4 In.).....                                  | 4    |
| 12                 | 01-100V15-00058 | Plug - Nickel Plated 1 In.....   | 6    |
| 13                 | 01-100V15-00065 | Plug - Modified.....   | 10   |
| 14                 | 01-1P1225-00001 | Corner - Rear (Right Side).....  | 1    |
| 15                 | 01-1P1219-00001 | NLA - Obsolete--Panel - Wall (20 In. Wide).....                        | AR   |
| 16                 | 01-1P1219-00002 | NLA - Obsolete--Panel - Wall (30 In. Wide).....                        | AR   |
| 17                 | 01-100V21-00092 | Gasket - PVC-Extruded ("B" Shape) (Per Foot).....                      | AR   |
| 18                 | 01-1P1275-11862 | Channel - Base Rear (118.62 In.).....                                  | 1    |
| 19                 | 01-1P1275-02506 | Channel - Base Side (25.06 In.).....                                   | 2    |
| 20                 | 01-1P1275-03506 | Channel - Base Side (35.06 In.).....                                   | 2    |
| 21                 | 01-1P1275-04506 | Channel - Base Side (45.06 In.).....                                   | 2    |
| 22                 | 01-1P1275-05506 | Channel - Base Side (55.06 In.).....                                   | 2    |
| 23                 | 01-1P1275-06506 | Channel - Base Side (65.06 In.).....                                   | 2    |
| 24                 | 01-1P1275-07506 | Channel - Base Side (75.06 In.).....                                   | 2    |
| 25                 | 01-1P1275-11506 | Channel - Base Side (115.06 In.).....                                  | 2    |
| 26                 | 01-1P1516-00028 | Floor Assy. (28 In.).....  | 1    |
| 27                 | 01-1P1516-00038 | Floor Assy. (38 In.).....  | 1    |
| 28                 | 01-1P1516-0048C | Floor Assy. (51.08 In.).....   | 1    |
| 29                 | 01-1P1516-0048R | Floor Assy. (51.08 In.).....   | 1    |
| 30                 | 01-1P1516-0058C | Floor Assy. (61.08 In.).....   | 1    |
| 31                 | 01-1P1516-0058R | Floor Assy. (61.08 In.).....   | 1    |
| 32                 | 01-1P1516-0068C | Floor Assy. (71.08 In.).....   | 1    |
| 33                 | 01-1P1516-0068R | Floor Assy. (71.08 In.).....   | 1    |
| 34                 | 01-1P1516-0078C | Floor Assy. (81.08 In.).....   | 1    |
| 35                 | 01-1P1516-0078R | Floor Assy. (81.08 In.).....   | 1    |
| 36                 | 01-1P1516-0118C | Floor Assy. (121.08 In.).....  | 1    |
| 37                 | 01-1P1516-0118R | Floor Assy. (121.08 In.).....  | 1    |
| 38                 | 01-1000V4-00073 | Anchor - Drop-In 1/4-20.....   | AR   |
| 39                 | 01-1000V4-00221 | Mach. Screw 1/4-20 x 1/2 Phil. Flat Hd. (SST) (Security with Pin)..... | AR   |
| 40                 | 01-1000V4-00482 | Mach. Screw 1/4-20 x 1/2 Phil. Flat Hd. (SST).....                     | AR   |
| 41                 | 01-1000V4-00222 | Mach. Screw 1/4-20 x 3/4 Phil. Flat Hd. (SST) (Security with Pin)..... | AR   |
| 42                 | 01-1000V4-00481 | Mach. Screw 1/4 - 20 x 3/4 Phil. Flat Hd. (SST).....                   | AR   |
| 43                 | 01-1000V4-00223 | Mach. Screw 1/4-20 x 1 Phil. Flat Hd. (SST) (Security with Pin).....   | AR   |
| 44                 | 01-1000V4-00480 | Mach. Screw 1/4 - 20 x 1 Phil. Flat Hd. (SST).....                     | AR   |
| 45                 | 01-1000V4-0073A | Tool - Setting.....  | 1    |
| 46                 | 01-1P1509-00005 | Jamb - Outer (Right Side).....   | 1    |
| 47                 | 01-1P1334-00001 | Socket - Extender Assy.....  | 1    |
| 48                 | 01-1000V4-00102 | Screw - Gimlet Point Hex Hd.....                                       | AR   |
| 49                 | 01-100V15-00065 | Plug - Modified.....   | 10   |
| 50                 | 01-1P1238-00003 | Header.....  | 1    |
| 51                 | 01-100V15-00065 | Plug - Modified.....   | 1    |
| 52                 | 01-1P1509-00003 | Jamb - Outer (Left Side).....  | 1    |
| 53                 | 01-1P1348-00003 | Filler - Ceiling.....  | 1    |
| 54                 | 01-1000V5-00143 | Bushing - Snap 5/8.....  | 1    |
| 55                 | 01-1000V5-00035 | Bushing - Snap (1 In.).....  | 2    |
| 56                 | 01-1000V5-00035 | Bushing - Snap (1 In.).....  | 2    |
| 57                 | 01-1000V5-00143 | Bushing - Snap 5/8.....  | 1    |
| 58                 | 01-100V17-00313 | Elbow.....   | 1    |
| 59                 | 01-100V17-00326 | Fitting 5/8 In. Comp. x 1/2 In. NPTM.....                              | 2    |
| 60                 | 01-000V17-00102 | Tubing Copper 5/8 O.D.....   | AR   |



**SINGLE DOOR**

**SINGLE DOOR**

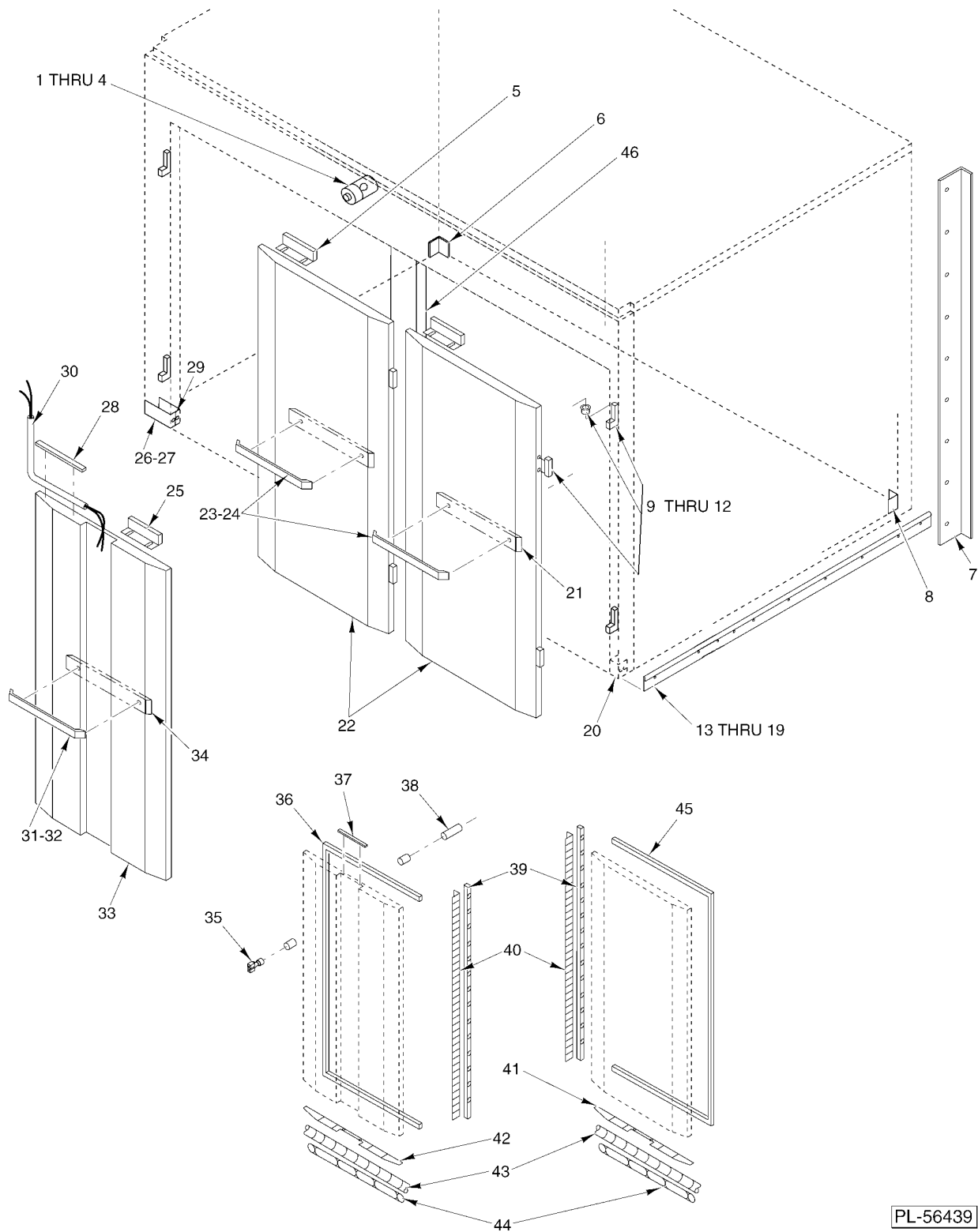
| ILLUS.   | PART NO.        | NAME OF PART  | AMT. |
|----------|-----------------|---|------|
| PL-56437 |                 |   |      |
| 1        | 01-1P1384-00001 | Conduit - Wire (W/RH Door Hinge - Option).....                      | 1    |
| 2        | 01-1P1384-00002 | Conduit - Wire (W/LH Door Hinge - Standard).....                    | 1    |
| 3        | 01-1P1485-00001 | Clamp - Wire Tube (Door).....                                       | 1    |
| 4        | 01-1P1472-00001 | Magnet Assy. - Door.....  | 1    |
| 5        | 01-1P1521-00102 | NLA - Obsolete--Harness - Hand Held Temperature Probe (Option)..... | 1    |
| 6        | 01-100V16-0271A | Gasket - Magnetic.....  | 1    |
| 7        | 01-1P1486-00001 | Angle - Retainer.....   | 1    |
| 8        | 01-100V10-00146 | Probe - Hand Held Temperature (Option).....                         | 1    |
| 9        | 01-1A1965-00001 | Hinge Kit - Door (LH) (Std.) (Incls. Items 10, 11, & 12).....       | 1    |
| 10       | 01-1000V0-00056 | Bearing - Flange (Oil Filled).....                                  | 2    |
| 11       | 01-1P1507-00001 | Hinge Half - Door.....  | 2    |
| 12       | 01-1P1506-00001 | Hinge Half - Jamb.....  | 2    |
| 13       | 01-1P1366-00001 | Light Fixture Assy. (Incls. Items 14, 15, & 16).....                | 1    |
| 14       | 01-1P1366-00101 | Light Fixture.....  | 1    |
| 15       | 01-1000V7-00021 | Bulb - Traffic Signal.....  | 1    |
| 16       | 01-1000V7-0014G | Globe - Light Fixture.....  | 1    |
| 17       | 01-1P1294-00001 | Cover - Light Hole.....   | 1    |
| 18       | 01-10P583-00001 | Trim - Finish.....  | 2    |
| 19       | 01-1P1270-00002 | Cove - Corner (7.66 In.).....                                       | 1    |
| 20       | 01-1P1270-00002 | Cove - Corner (7.66 In.).....                                       | 1    |
| 21       | 01-10P658-00004 | Trim - Base (40.50 In.).....  | 2    |
| 22       | 01-10P658-00005 | Trim - Base (50.50 In.).....  | 2    |
| 23       | 01-10P658-00006 | Trim - Base (60.50 In.).....  | 2    |
| 24       | 01-10P658-00007 | Trim - Base (70.50 In.).....  | 2    |
| 25       | 01-10P658-00008 | Trim - Base (80.50 In.).....  | 2    |
| 26       | 01-10P658-00009 | Trim - Base (90.50 In.).....  | 2    |
| 27       | 01-10P658-00015 | Trim - Base (128.82 In.).....                                       | 2    |
| 28       | 01-1P1271-00001 | Cove - Outer Jamb (2.10 In.).....                                   | 2    |
| 29       | 01-1P1496-00001 | Bracket - Floor Seal.....   | 1    |
| 30       | 01-1P1497-00001 | Seal - Floor.....   | 1    |
| 31       | 01-1P1496-00003 | Bracket - Floor Seal.....   | 1    |
| 32       | 01-1P1494-00001 | Bumper - Door.....  | 1    |
| 33       | 01-1P1491-00001 | Door (Control).....   | 1    |
| 34       | 01-1P1498-00001 | Handle - Door.....  | 1    |
| 35       | 01-1000V4-00100 | Mach. Screw Flat Hd.....  | 2    |
|          | 01-1P1469-00002 | Kit - Door Adjustment.....  | AR   |



**DOUBLE DOOR**

## DOUBLE DOOR

| ILLUS.   | PART NO.        | NAME OF PART  | AMT. |
|----------|-----------------|---|------|
| PL-56438 |                 |   |      |
| 1        | 01-1P1384-00002 | Conduit - Wire.....   | 1    |
| 2        | 01-1P1485-00001 | Clamp - Wire Tube (Door).....                                       | 3    |
| 3        | 01-1P1366-00001 | Light Fixture Assy. (Incls. Items 4, 5, & 6).....                   | 1    |
| 4        | 01-1P1366-00101 | Light Fixture.....  | 1    |
| 5        | 01-1000V7-00021 | Bulb - Traffic Signal.....  | 1    |
| 6        | 01-1000V7-0014G | Globe - Light Fixture.....  | 2    |
| 7        | 01-1P1471-00001 | NLA - Obsolete--Magnet Assy. - Door.....                            | 3    |
| 8        | 01-1P1272-00001 | Cove - Inner Jamb.....  | 1    |
| 9        | 01-1P1271-00002 | Cove - Outer Jamb.....  | 1    |
| 10       | 01-1P1494-00001 | Bumper - Door.....  | 1    |
| 11       | 01-1P1498-00001 | Handle - Door.....  | 1    |
| 12       | 01-1000V4-00100 | Mach. Screw Flat Hd.....  | 4    |
| 13       | 01-1P1491-00001 | Door (Control).....   | 1    |
| 14       | 01-1P1498-00001 | Handle - Door.....  | 2    |
| 15       | 01-1000V4-00100 | Mach. Screw Flat Hd.....  | 4    |
| 16       | 01-1P1491-00002 | Door (Blank).....   | 2    |
| 17       | 01-1P1494-00001 | Bumper - Door.....  | 2    |
| 18       | 01-1P1271-00001 | Cove - Outer Jamb.....  | 1    |
| 19       | 01-1A1965-00002 | Hinge Kit - Door (Incls. Items 20, 21, & 22).....                   | 1    |
| 20       | 01-1P1507-00001 | Hinge Half - Door.....  | 6    |
| 21       | 01-1P1506-00001 | Hinge Half - Jamb.....  | 6    |
| 22       | 01-1000V0-00056 | Bearing - Flange (Oil Filled) (Bronze).....                         | 6    |
| 23       | 01-1P1270-00001 | Cove - Corner.....  | 1    |
| 24       | 01-10P658-00004 | Trim - Base (40.50 In.).....  | 2    |
| 25       | 01-10P658-00005 | Trim - Base (50.50 In.).....  | 2    |
| 26       | 01-10P658-00006 | Trim - Base (60.50 In.).....  | 2    |
| 27       | 01-10P658-00007 | Trim - Base (70.50 In.).....  | 2    |
| 28       | 01-10P658-00008 | Trim - Base (80.50 In.).....  | 2    |
| 29       | 01-10P658-00009 | Trim - Base (90.50 In.).....  | 2    |
| 30       | 01-10P658-00015 | Trim - Base (128.82 In.).....                                       | 2    |
| 31       | 01-1P1270-00001 | Cove - Corner.....  | 1    |
| 32       | 01-10P583-00001 | Trim - Finish.....  | 2    |
| 33       | 01-100V16-0271B | Gasket - Magnetic.....  | 1    |
| 34       | 01-1P1496-00003 | Bracket - Floor Seal.....   | 2    |
| 35       | 01-1P1497-00001 | Seal - Floor.....   | 2    |
| 36       | 01-1P1496-00001 | Bracket - Floor Seal.....   | 1    |
| 37       | 01-1P1496-00002 | Bracket - Floor Seal.....   | 1    |
| 38       | 01-1P1466-00001 | Strip - Silicone Door Seal.....                                     | 2    |
| 39       | 01-1P1467-00001 | Clamp - Door Strip.....   | 2    |
| 40       | 01-100V10-00146 | Probe - Hand Held Temperature (Option).....                         | 1    |
| 41       | 01-1P1486-00001 | Angle - Retainer.....   | 1    |
| 42       | 01-100V16-0271B | Gasket - Magnetic.....  | 2    |
| 43       | 01-1P1521-00102 | NLA - Obsolete--Harness - Hand Held Temperature Probe (Option)..... | 1    |
|          | 01-1P1469-00002 | Kit - Door Adjustment.....  | AR   |

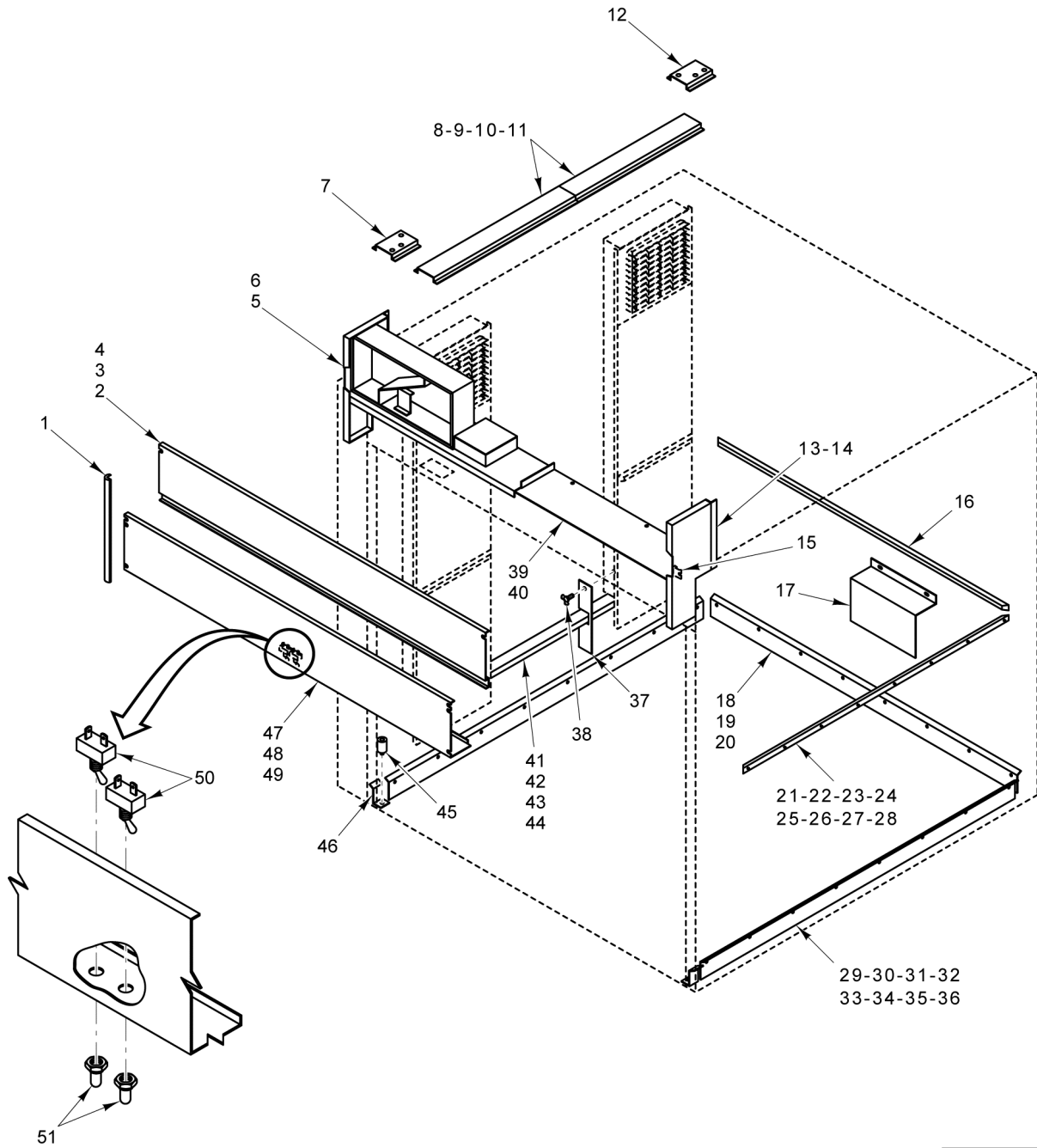


PL-56439

**TRIPLE DOOR**

## TRIPLE DOOR

| ILLUS.   | PART NO.        | NAME OF PART  | AMT. |
|----------|-----------------|---|------|
| PL-56439 |                 |   |      |
| 1        | 01-1P1366-00001 | Light Fixture Assy. (Incls. Items 2, 3, & 4).....                   | 1    |
| 2        | 01-1P1366-00101 | Light Fixture.....  | 1    |
| 3        | 01-1000V7-00021 | Bulb - Traffic Signal.....  | 1    |
| 4        | 01-1000V7-0014G | Globe - Light Fixture.....  | 1    |
| 5        | 01-1P1471-00001 | NLA - Obsolete--Magnet Assy. - Door.....                            | 3    |
| 6        | 01-1P1270-00001 | Cove - Corner.....  | 1    |
| 7        | 01-10P583-00001 | Trim - Finish.....  | 2    |
| 8        | 01-1P1270-00001 | Cove - Corner.....  | 1    |
| 9        | 01-1A1965-00002 | Hinge Kit - Door (Incls. Items 10, 11, & 12).....                   | 1    |
| 10       | 01-1P1506-00001 | Hinge Half - Jamb.....  | 6    |
| 11       | 01-1000V0-00056 | Bearing - Flange (Oil Filled) (Bronze).....                         | 6    |
| 12       | 01-1P1507-00001 | Hinge Half - Door.....  | 6    |
| 13       | 01-10P658-00004 | Trim - Base (40.50 In.).....  | 2    |
| 14       | 01-10P658-00005 | Trim - Base (50.50 In.).....  | 2    |
| 15       | 01-10P658-00006 | Trim - Base (60.50 In.).....  | 2    |
| 16       | 01-10P658-00007 | Trim - Base (70.50 In.).....  | 2    |
| 17       | 01-10P658-00008 | Trim - Base (80.50 In.).....  | 2    |
| 18       | 01-10P658-00009 | Trim - Base (90.50 In.).....  | 2    |
| 19       | 01-10P658-00015 | Trim - Base (128.82 In.).....                                       | 2    |
| 20       | 01-1P1271-00001 | Cove - Outer Jamb.....  | 1    |
| 21       | 01-1P1494-00001 | Bumper - Door.....  | 2    |
| 22       | 01-1P1491-00002 | Door (Blank).....   | 2    |
| 23       | 01-1P1498-00001 | Handle - Door.....  | 2    |
| 24       | 01-1000V4-00100 | Mach. Screw Flat Hd.....  | 4    |
| 25       | 01-1P1471-00001 | NLA - Obsolete--Magnet Assy. - Door.....                            | 3    |
| 26       | 01-1P1271-00002 | Cove - Outer Jamb.....  | 1    |
| 27       | 01-1P1271-00003 | Cove - Jamb.....  | 2    |
| 28       | 01-1P1485-00001 | Clamp - Wire Tube (Door).....                                       | 1    |
| 29       | 01-1P1272-00001 | Cove - Inner Jamb.....  | 1    |
| 30       | 01-1P1384-00002 | Conduit - Wire.....   | 1    |
| 31       | 01-1P1498-00001 | Handle - Door.....  | 1    |
| 32       | 01-1000V4-00100 | Mach. Screw Flat Hd.....  | 2    |
| 33       | 01-1P1491-00001 | Door (Control).....   | 1    |
| 34       | 01-1P1494-00001 | Bumper - Door.....  | 1    |
| 35       | 01-1P1521-00102 | NLA - Obsolete--Harness - Hand Held Temperature Probe (Option)..... | 1    |
| 36       | 01-100V16-0271B | Gasket - Magnetic.....  | 2    |
| 37       | 01-1P1486-00001 | Angle - Retainer.....   | 1    |
| 38       | 01-100V10-00146 | Probe - Hand Held Temperature (Option).....                         | 1    |
| 39       | 01-1P1467-00001 | Clamp - Door Strip.....   | 2    |
| 40       | 01-1P1466-00001 | Strip - Silicone Door Seal.....                                     | 2    |
| 41       | 01-1P1496-00002 | Bracket - Floor Seal.....   | 1    |
| 42       | 01-1P1496-00001 | Bracket - Floor Seal.....   | 1    |
| 43       | 01-1P1497-00001 | Seal - Floor.....   | 2    |
| 44       | 01-1P1496-00003 | Bracket - Floor Seal.....   | 2    |
| 45       | 01-100V16-0271E | Gasket - Magnetic.....  | 1    |
| 46       | 01-1P1502-00001 | Jamb, Center (PC, RP, & RR).....                                    | 1    |
|          | 01-1P1469-00002 | Kit - Door Adjustment.....  | .AR  |

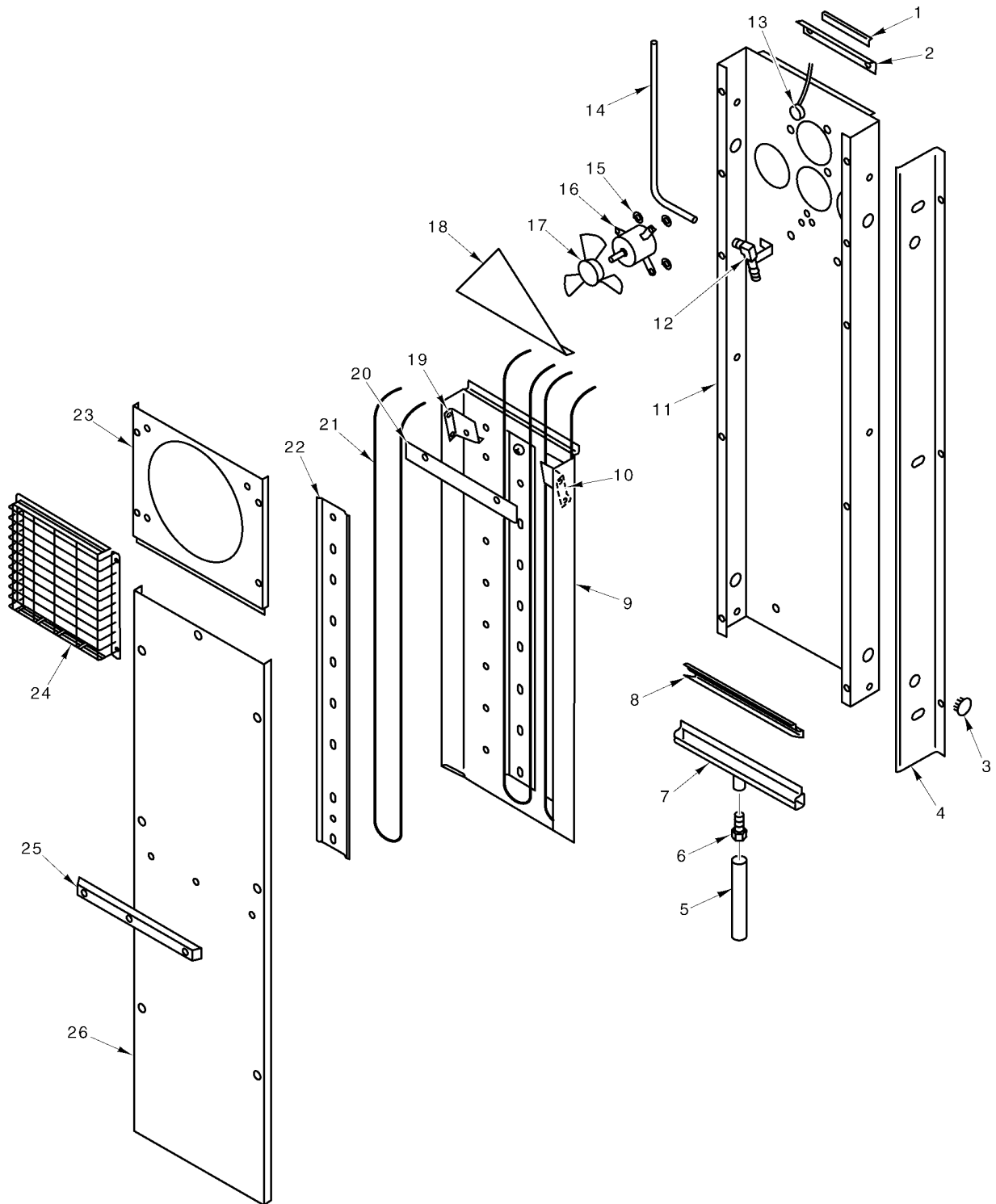


PL-60879

**FRONT TRIM AND BUMPER**

## FRONT TRIM AND BUMPER

| ILLUS.   | PART NO.        | NAME OF PART   | AMT. |
|----------|-----------------|--|------|
| PL-60879 |                 |  |      |
| 1        | 01-1P1303-00001 | Angle - End (Upper Forward Trim).....                          | 2    |
| 2        | 01-1P1395-00001 | Trim - Upper Forward (Top) (Single Wide).....                  | 1    |
| 3        | 01-1P1395-00002 | Trim - Upper Forward (Top) (Double Wide).....                  | 1    |
| 4        | 01-1P1395-00003 | Trim - Upper Forward (Top) (Triple Wide).....                  | 1    |
| 5        | 01-1P1401-00001 | Retainer - Upper Forward Trim (LH) (Single Wide).....          | 1    |
| 6        | 01-1P1400-00001 | Retainer - Upper Forward Trim (LH) (Double & Triple Wide)..... | 1    |
| 7        | 01-1P1438-00001 | Section - Hat, Wire Cover.....                                 | 1    |
| 8        | 01-1P1439-00001 | NLA - Obsolete--Section - Hat, Wire Cover (28 In.).....        | AR   |
| 9        | 01-1P1439-00002 | NLA - Obsolete--Section - Hat, Wire Cover (40 In.).....        | AR   |
| 10       | 01-1P1439-00003 | NLA - Obsolete--Section - Hat, Wire Cover (50 In.).....        | AR   |
| 11       | 01-1P1439-00004 | NLA - Obsolete--Section - Hat, Wire Cover (60 In.).....        | AR   |
| 12       | 01-1P1438-00002 | Section - Hat, Wire Cover.....                                 | 1    |
| 13       | 01-1P1401-00002 | Retainer - Upper Forward Trim (RH) (Single Wide).....          | 1    |
| 14       | 01-1P1400-00002 | Retainer - Upper Forward Trim (RH) (Double & Triple Wide)..... | 1    |
| 15       | 01-1P1397-00001 | Clamp - Upper Forward Trim.....                                | 2    |
| 16       | 01-1P1330-06200 | Bumper - Wall (62 In. Lg.).....                                | AR   |
| 17       | 01-1P1437-00002 | Deflector Assy. - Side (Single Wide).....                      | 1    |
| 18       | 01-1P1273-03206 | Trim - Inner (Bottom) (32 In. Lg.) (Single Wide).....          | 1    |
| 19       | 01-1P1273-07068 | Trim - Inner (Bottom) (70.68 In. Lg.) (Double Wide).....       | 1    |
| 20       | 01-1P1273-11068 | Trim - Inner (Bottom) (110.68 In. Lg.) (Triple Wide).....      | 1    |
| 21       | 01-1P1330-01700 | Bumper - Wall (17 In. Lg.).....                                | AR   |
| 22       | 01-1P1330-02200 | Bumper - Wall (22 In. Lg.).....                                | AR   |
| 23       | 01-1P1330-03200 | Bumper - Wall (32 In. Lg.).....                                | AR   |
| 24       | 01-1P1330-04200 | Bumper - Wall (42 In. Lg.).....                                | AR   |
| 25       | 01-1P1330-05200 | Bumper - Wall (52 In. Lg.).....                                | AR   |
| 26       | 01-1P1330-07200 | Bumper - Wall (72 In. Lg.).....                                | AR   |
| 27       | 01-1P1330-10200 | Bumper - Wall (102 In. Lg.).....                               | AR   |
| 28       | 01-1P1330-11200 | Bumper - Wall (112 In. Lg.).....                               | AR   |
| 29       | 01-1P1273-02512 | Trim - Inner (Bottom) (25.12 In. Lg.).....                     | 2    |
| 30       | 01-1P1273-03512 | Trim - Inner (Bottom) (35.12 In. Lg.).....                     | 2    |
| 31       | 01-1P1273-04512 | Trim - Inner (Bottom) (45.12 In. Lg.).....                     | 2    |
| 32       | 01-1P1273-05512 | Trim - Inner (Bottom) (55.12 In. Lg.).....                     | 2    |
| 33       | 01-1P1273-06512 | Trim - Inner (Bottom) (65.12 In. Lg.).....                     | 2    |
| 34       | 01-1P1273-07512 | Trim - Inner (Bottom) (75.12 In. Lg.).....                     | 2    |
| 35       | 01-1P1273-10512 | Trim - Inner (Bottom) (105.12 In. Lg.).....                    | 2    |
| 36       | 01-1P1273-11512 | Trim - Inner (Bottom) (115.12 In. Lg.).....                    | 2    |
| 37       | 01-1P1437-00001 | Deflector Assy. - Side (Double & Triple Wide).....             | 2    |
| 38       | 01-1000V4-00011 | NLA - Obsolete--Thumb Screw - Shoulder 1/4-20 x 1/2.....       | 2    |
| 39       | 01-1P1378-00002 | NLA - Obsolete--Cover - Pest Control (2-Wide).....             | 1    |
| 40       | 01-1P1378-00003 | NLA - Obsolete--Cover - Pest Control (Triple Wide).....        | 1    |
| 41       | 01-1P1373-01000 | NLA - Obsolete--Cover - Drain (10 In.).....                    | AR   |
| 42       | 01-1P1373-02200 | Cover - Drain (22 In.).....                                    | AR   |
| 43       | 01-1P1373-04000 | NLA - Obsolete--Cover - Drain (40 In.).....                    | AR   |
| 44       | 01-1P1373-08000 | NLA - Obsolete--Cover - Drain (80 In.).....                    | AR   |
| 45       | 01-1000V4-00073 | Anchor - Drop-In 1/4-20.....                                   | AR   |
| 46       | 01-1P1274-00001 | Angle - Retainer.....  | 2    |
| 47       | 01-1P1396-00001 | Trim - Upper Forward (Bottom) (Single Wide).....               | 1    |
| 48       | 01-1P1396-00002 | Trim - Upper Forward (Bottom) (Double Wide).....               | 1    |
| 49       | 01-1P1396-00003 | Trim - Upper Forward (Bottom) (Triple Wide).....               | 1    |
| 50       | 01-1000V6-0035F | Switch - Toggle (10 Amp.).....                                 | 2    |
| 51       | 01-1000V4-00019 | Seal Boot - Toggle Switch.....                                 | 2    |

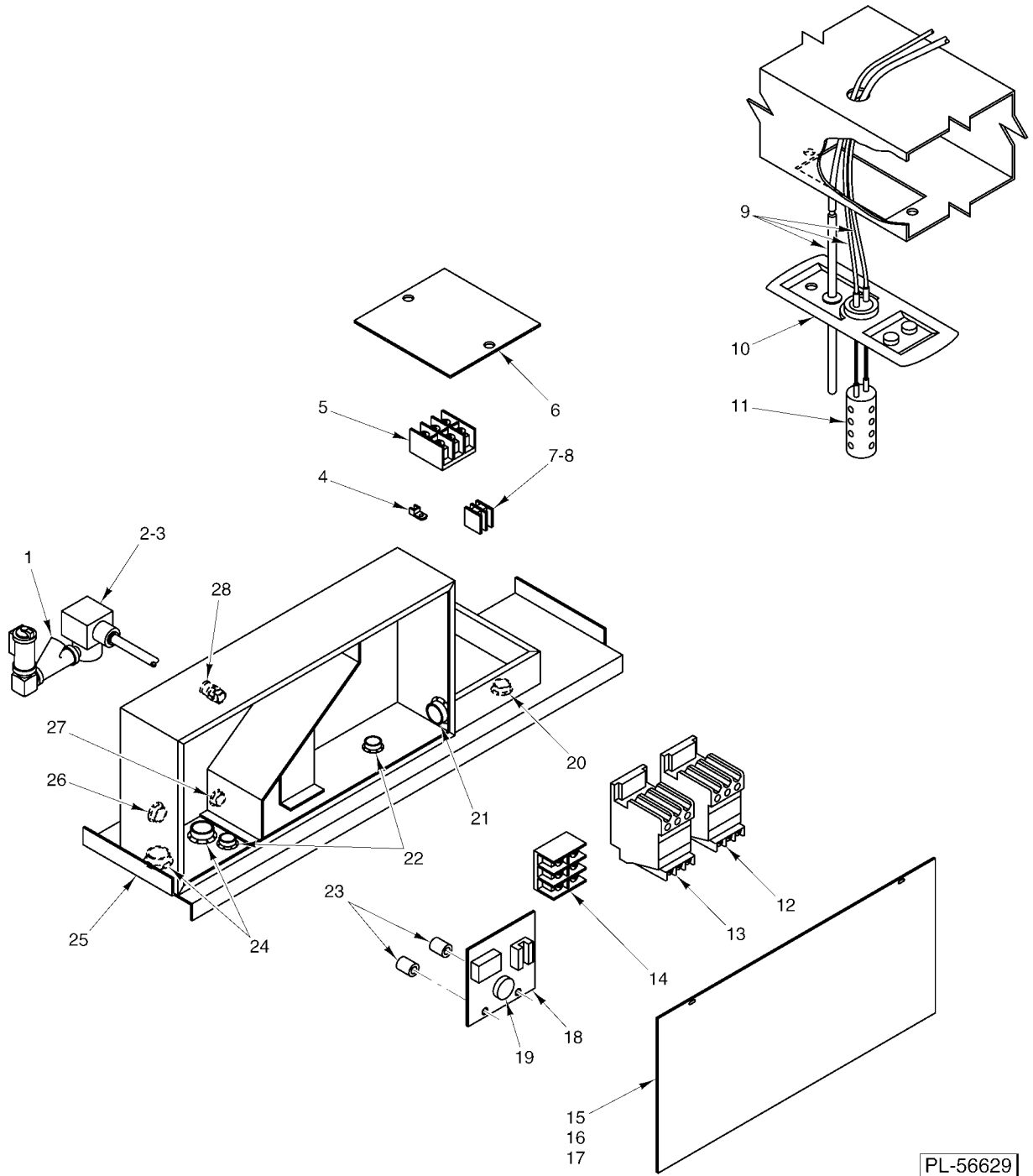


PL-56417

**AIR SUPPLY**

**AIR SUPPLY**

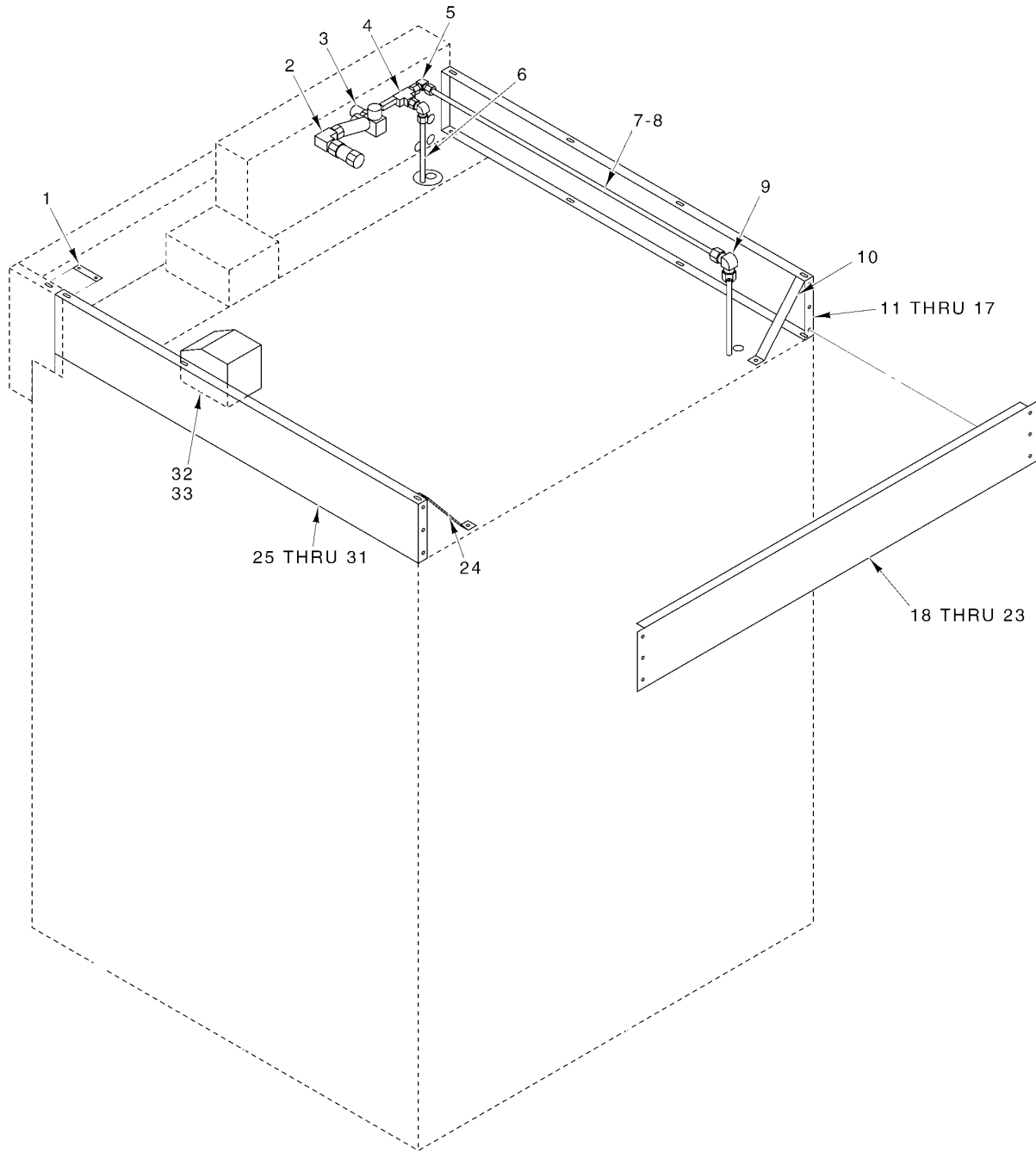
| ILLUS.   | PART NO.        | NAME OF PART                                      | AMT. |
|----------|-----------------|---|------|
| PL-56417 |                 |   |      |
| 1        | 01-1P1369-00001 | Spacer - Mounting Bracket.....                    | 1    |
| 2        | 01-1P1361-00001 | Bracket - Mounting.....                           | 1    |
| 3        | 01-100V15-00047 | Plug - Nickel Plated (1-1/4 In.).....             | 2    |
| 4        | 01-1P1360-00001 | Side - Air Duct.....                              | 1    |
| 5        | 01-100V17-00102 | Tubing Copper 5/8 O.D.....                        | AR   |
| 6        | 01-100V17-00326 | Fitting 5/8 In. Comp. x 1/2 In. NPTM.....         | 2    |
| 7        | 01-1P1420-00001 | Gutter - Drain Pan.....                           | 1    |
| 8        | 01-1P1478-00001 | Screen - Drain.....                               | 1    |
| 9        | 01-1P1424-00001 | Plate - Heater.....                               | 1    |
| 10       | 01-1P1427-00001 | Bracket - Deflector (RH).....                     | 1    |
| 11       | 01-1P1423-00001 | Skin - Base Plate.....                            | 1    |
| 12       | 01-1P1363-00001 | Nozzle - Spray.....                               | 1    |
| 13       | 01-1P1425-00101 | Switch - Hi-Limit.....                            | 1    |
| 14       | 01-1P1447-00102 | Tube - Spray Nozzle.....                          | 1    |
| 15       | 01-100V15-00057 | Grommet - Rubber (Black).....                     | 3    |
| 16       | 01-1P1350-00101 | Fan Assy.....                                     | 1    |
| 17       | 01-1000V8-00061 | Blade - Fan.....                                  | 1    |
| 18       | 01-1P1428-00001 | Deflector.....                                    | 1    |
| 19       | 01-1P1427-00002 | Bracket - Deflector (LH).....                     | 1    |
| 20       | 01-1P1428-00002 | Deflector.....                                    | 1    |
| 21       | 01-100V10-00123 | Element - Heating, Tubular (240 V., 2200 W.)..... | AR   |
| 22       | 01-1P1195-00001 | Clamp - Element.....                              | 3    |
| 23       | 01-1P1359-00001 | Cover - Upper.....                                | 1    |
| 24       | 01-100V16-00293 | Guard - Fan.....                                  | 1    |
| 25       | 01-1P1330-01700 | Bumper - Lower Cover.....                         | 1    |
| 26       | 01-1P1187-00001 | Skin - Lower Cover.....                           | 1    |
|          | 01-1P1421-00002 | Plumbing - Air Duct (Single Wide).....            | 1    |
|          | 01-1P1421-00001 | Plumbing - Air Duct (Double & Triple Wide).....   | 1    |
|          | 01-1P1426-00001 | Air Duct Package.....                             | 1    |



**CONTROL/SERVICE ENTRANCE, THERMISTOR, AND HUMIDITY SENSOR**

**CONTROL/SERVICE ENTRANCE, THERMISTOR, AND HUMIDITY SENSOR**

| ILLUS.   | PART NO.        | NAME OF PART  | AMT. |
|----------|-----------------|---|------|
| PL-56629 |                 |   |      |
| 1        | 01-1P1374-00101 | Solenoid Assy.....  | 1    |
| 2        | 01-100V17-00075 | Valve - Solenoid 1/4 NPT (2-Way) (120 V.) (Proofer).....    | 1    |
| 3        | 01-100V24-00006 | Valve - Solenoid (3/8) (Retarder/Proofer).....              | 1    |
| 4        | 01-1000V5-00037 | Lug - Terminal.....   | 1    |
| 5        | 01-1000V5-00098 | Block - Power Distribution.....                             | 1    |
| 6        | 01-1P1457-00001 | NLA - Obsolete--Cover - Service Entrance.....               | 1    |
| 7        | 01-1000V5-00105 | Terminal Block (Section).....                               | 2    |
| 8        | 01-1000V5-00106 | Terminal Block (End).....                                   | 1    |
| 9        | 01-1P1408-00001 | Harness - Thermistor (Proofer).....                         | 1    |
| 10       | 01-1P1331-00001 | Sensor Plate Assy. (Proofer).....                           | 1    |
| 11       | 01-1P1483-00001 | Sensor - Humidity, Kit (Proofer).....                       | 1    |
| 12       | 01-1000V6-00185 | Contactactor (3 Pole).....                                  | 1    |
| 13       | 01-1000V6-00185 | Contactactor (3 Pole).....                                  | 1    |
| 14       | 01-1000V5-00096 | Block - Power Distribution.....                             | 1    |
| 15       | 01-1P1442-00001 | Cover Assy. (120/50/60/1, 208-240/50/60/1).....             | 1    |
| 16       | 01-1P1442-00002 | Cover Assy. (120/50/60/1/3, 380-440/50/60/3).....           | 1    |
| 17       | 01-1P1442-00003 | Cover Assy. (208-240/50/60/1, 380-440/440-480/50/60/3)..... | 1    |
| 18       | 01-1P1214-00003 | Board - PC Power Supply Assy.....                           | 1    |
| 19       | 01-1P1749-00001 | Beeper Assy.....  | 1    |
| 20       | 01-1000V5-00035 | Bushing - Snap (1 In.).....                                 | AR   |
| 21       | 01-1000V5-00073 | Bushing - Snap (1-1/2 In.).....                             | 1    |
| 22       | 01-1000V5-00035 | Bushing - Snap (1 In.).....                                 | AR   |
| 23       | 01-1000V5-00016 | Spacer (Nylon).....   | 4    |
| 24       | 01-1000V5-00073 | Bushing - Snap (1-1/2 In.).....                             | 2    |
| 25       | 01-1P1448-00001 | Box - Control, Weldment.....                                | 1    |
| 26       | 01-1000V5-00035 | Bushing - Snap (1 In.).....                                 | AR   |
| 27       | 01-1000V5-00059 | Bushing - Snap (Plastic).....                               | 1    |
| 28       | 01-100V11-00102 | Pipe - Bushed Chase (1/2 NPT).....                          | 1    |
|          | 01-1P1446-00001 | Harness Assy.....   | 1    |

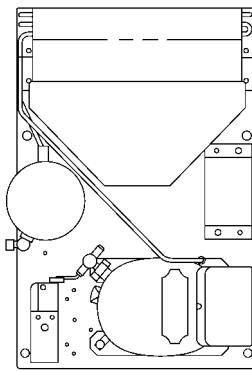


PL-56656

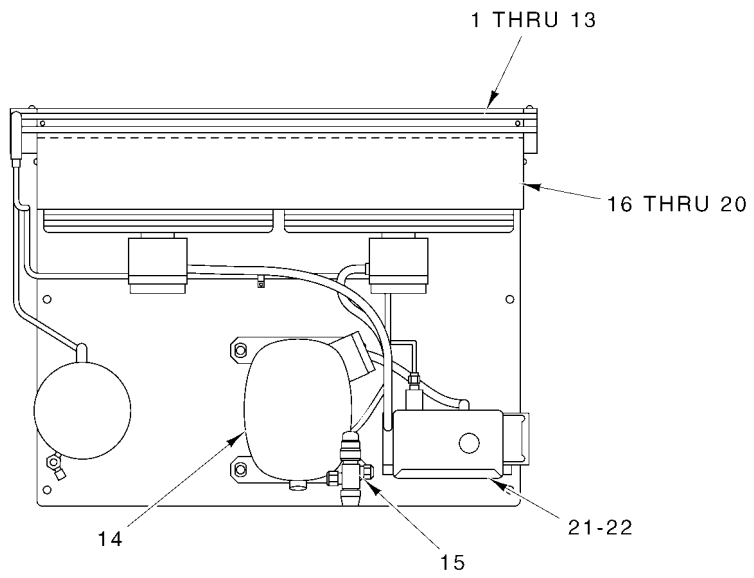
**WATER SUPPLY AND UPPER TRIM**

**WATER SUPPLY AND UPPER TRIM**

| ILLUS.   | PART NO.        | NAME OF PART   | AMT. |
|----------|-----------------|--|------|
| PL-56656 |                 |  |      |
| 1        | 01-1P1388-00001 | Strap - Retainer.....  | AR   |
| 2        | 01-1P1374-00101 | Solenoid Assy.....   | 1    |
| 3        | 01-100V17-00075 | Valve - Solenoid (2 Way, 120 V.).....  | 1    |
| 4        | 01-1P1447-00101 | Connector - Plumbing.....  | 1    |
| 5        | 01-100V17-00339 | ElI 90 Deg. (Brass).....   | 1    |
| 6        | 01-1P1447-00102 | Tube - Spray Nozzle.....   | 1    |
| 7        | 01-1P1447-00001 | Plumbing Package (Single Wide).....  | 1    |
| 8        | 01-1P1447-00002 | Plumbing Package (Double and Triple Wide).....                                   | 1    |
| 9        | 01-100V17-00396 | Elbow - Union (Brass).....   | 1    |
| 10       | 01-1P1460-00001 | NLA - Obsolete--Support - Upper Trim.....  | AR   |
| 11       | 01-1P1386-00002 | NLA - Obsolete--Trim - Upper Side (26.50 In.).....                               | 1    |
| 12       | 01-1P1386-00003 | Trim - Upper Side (38.38 In.).....   | 1    |
| 13       | 01-1P1386-00004 | Trim - Upper Side (48.38 In.).....   | 1    |
| 14       | 01-1P1386-00005 | Trim - Upper Side (58.38 In.).....   | 1    |
| 15       | 01-1P1386-00006 | NLA - Obsolete--Trim - Upper Side (68.38 In.).....                               | 1    |
| 16       | 01-1P1386-00007 | Trim - Upper Side (78.38 In.).....   | 1    |
| 17       | 01-1P1386-00011 | Trim - Upper Side (118.38 In.).....  | 1    |
| 18       | 01-1P1385-00001 | Trim - Upper Rear (Single Wide).....   | 1    |
| 19       | 01-1P1385-00002 | NLA - Obsolete--Trim - Upper Rear (Double Wide).....                             | 1    |
| 20       | 01-1P1385-00003 | NLA - Obsolete--Trim - Upper Rear (Triple Wide).....                             | 1    |
| 21       | 01-1P1452-00001 | NLA - Obsolete--Trim - Upper Rear (Single Wide).....                             | 1    |
| 22       | 01-1P1452-00002 | Trim - Upper Rear (Double Wide).....   | 1    |
| 23       | 01-1P1452-00003 | Trim - Upper Rear (Triple Wide).....   | 1    |
| 24       | 01-1P1460-00001 | NLA - Obsolete--Support - Upper Trim.....  | AR   |
| 25       | 01-1P1450-00028 | NLA - Obsolete--Trim - Upper Side (26.50 In.).....                               | 1    |
| 26       | 01-1P1450-00038 | NLA - Obsolete--Trim - Upper Side (38.38 In.).....                               | 1    |
| 27       | 01-1P1450-00048 | NLA - Obsolete--Trim - Upper Side (48.38 In.).....                               | 1    |
| 28       | 01-1P1450-00058 | NLA - Obsolete--Trim - Upper Side (58.38 In.).....                               | 1    |
| 29       | 01-1P1450-00068 | NLA - Obsolete--Trim - Upper Side (68.38 In.).....                               | 1    |
| 30       | 01-1P1450-00078 | NLA - Obsolete--Trim - Upper Side (78.38 In.).....                               | 1    |
| 31       | 01-1P1450-00118 | NLA - Obsolete--Trim - Upper Side (118.38 In.).....                              | 1    |
| 32       | 01-1P1379-00001 | Transformer (0.5 kVA) (ML-132125 thru ML-132136 & ML-132139 thru ML-132143)..... | 1    |
| 33       | 01-1P1379-00002 | Transformer (1.0 kVA) (ML-132137, ML-132138, ML-132144, & ML-132145).....        | 1    |
|          | 01-100V10-00129 | Holder - Fuse.....   | 2    |
|          | 01-100V10-00130 | Fuse (15 Amp.).....  | 2    |



**SINGLE FAN UNIT**



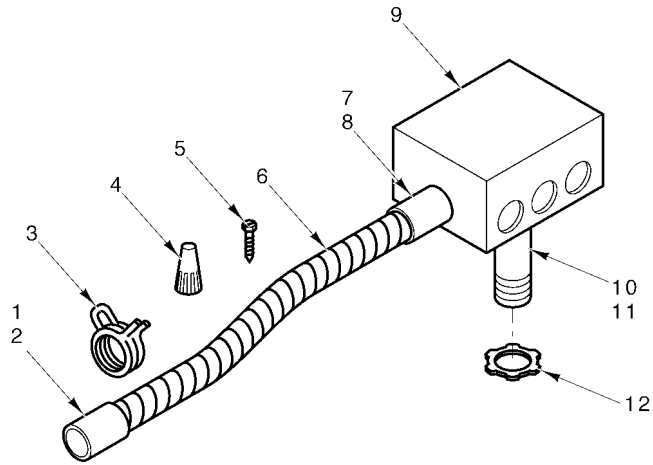
**TWO FAN UNIT**

PL-57017

**CONDENSER  
(R22) (RETARDER/PROOFER)**

**CONDENSER  
(R22) (RETARDER/PROOFER)**

| ILLUS.<br>PL-57017 | PART NO.        | NAME OF PART  | AMT. |
|--------------------|-----------------|---|------|
| 1                  | 01-100V24-0034B | Condenser (24600 BTU) (208-240/60/3).....                                   | 1    |
| 2                  | 01-100V24-0034A | Condenser (24600 BTU) (208-240/60/1).....                                   | 1    |
| 3                  | 01-100V24-0033C | NLA - Obsolete--Condenser (16200 BTU) (440-480/60/3).....                   | 1    |
| 4                  | 01-100V24-0033D | NLA - Obsolete--Condenser (16200 BTU) (208-240/60/3).....                   | 1    |
| 5                  | 01-100V24-0033A | NLA - Obsolete--Condenser (16200 BTU) (208-240/60/1).....                   | 1    |
| 6                  | 01-100V24-0032C | Condenser (12100 BTU) (440-480/60/3).....                                   | 1    |
| 7                  | 01-100V24-0032B | Condenser (12100 BTU) (208-240/60/3).....                                   | 1    |
| 8                  | 01-100V24-0032A | NLA - Obsolete--Condenser (12100 BTU) (208-230/60/1).....                   | 1    |
| 9                  | 01-100V24-0031E | NLA - Obsolete--Condenser (8580 BTU) (460/60/3).....                        | 1    |
| 10                 | 01-100V24-0031D | NLA - Obsolete--Condenser (8580 BTU) (208-230/60/3).....                    | 1    |
| 11                 | 01-100V24-0031A | NLA - Obsolete--Condenser (8580 BTU) (208-230/60/1).....                    | 1    |
| 12                 | 01-100V24-0030C | Condenser (6250 BTU) (208-230/60/1).....                                    | 1    |
| 13                 | 01-100V24-0030A | Condenser (6250 BTU) (115/60/1).....  | 1    |
| 14                 | 01-100V24-00005 | Filter - Drier.....   | 1    |
| 15                 | 01-100V24-00004 | Indicator - Moisture & Liquid.....  | 1    |
| 16                 | 01-100V24-00036 | Evaporator (ML-132146 thru ML-132152, ML-132217, & ML-132218).....          | AR   |
| 17                 | 01-100V24-0012A | Evaporator (Elec. Codes JB, JD, & JG) (ML-132223).....                      | AR   |
| 18                 | 01-100V24-0012B | Evaporator (Elec. Codes JC, JE, & JF) (ML-132223).....                      | AR   |
| 19                 | 01-100V24-0027A | Evaporator (Elec. Codes JB, JD, & JG) (ML-132219 thru ML-132222).....       | AR   |
| 20                 | 01-100V24-0027B | Evaporator (Elec. Codes JC, JE, & JF) (ML-132219 thru ML-132222).....       | AR   |
| 21                 | 01-1P1379-00003 | Transformer (ML-132146 thru ML-132151 & ML-132218 thru ML-132221).....      | 1    |
| 22                 | 01-1P1379-00004 | Transformer (ML-132152, ML-132222, & ML-132223).....                        | 1    |
|                    | 01-100V24-00007 | Valve - Expansion (ML-132219 thru ML-132223).....                           | 1    |
|                    | 01-100V24-00017 | Valve - Expansion (ML-132146 thru ML-132152, ML-132217, & ML-132218).....   | 1    |
|                    | 01-100V24-00018 | Valve - Expansion (ML-132146 thru ML-132152, ML-132217 thru ML-132222)..... | 1    |
|                    | 01-100V24-00020 | Valve - Expansion (ML-132146 thru ML-132152, ML-132217, & ML-132218).....   | 1    |
|                    | 01-100V24-00021 | Valve - Expansion (ML-132220 thru ML-132222).....                           | 1    |
|                    | 01-100V24-00023 | Valve - Expansion (ML-132223).....  | 1    |
|                    | 01-1P2046-00001 | NLA - Obsolete--Evaporator Drain Package (Single Evaporator).....           | 1    |
|                    | 01-1P2046-00002 | Evaporator Drain Package (Dual Evaporator).....                             | 1    |



PL-57016

**REFRIGERATION FLEX CONDUIT (RETARDER/PROOFER)**

**REFRIGERATION FLEX CONDUIT (RETARDER/PROOFER)**

| ILLUS.   | PART NO.        | NAME OF PART                              | AMT. |
|----------|-----------------|---|------|
| PL-57016 |                 |   |      |
| 1        | 01-100V11-00076 | Bushing, Anti-Short (Plastic).....        | 1    |
| 2        | 01-100V11-0030B | Connector - Conduit 3/8 In. Straight..... | 1    |
| 3        | 01-100V11-00141 | Clamp - Conduit.....                      | AR   |
| 4        | 01-1000V5-00015 | Nut - Wire (Orange).....                  | 2    |
| 5        | 01-1000V4-00009 | Screw - Sheet Metal Hex Hd.....           | AR   |
| 6        | 01-100V11-0034A | Conduit - Flex-Steel 3/8 In. Dia.....     | AR   |
| 7        | 01-100V11-00076 | Bushing, Anti-Short (Plastic).....        | 1    |
| 8        | 01-100V11-0030B | Connector - Conduit 3/8 In. Straight..... | 1    |
| 9        | 01-100V11-0024A | Box, J 2 x 4 x 2 (With Cover).....        | 2    |
| 10       | 01-100V11-00169 | Bushing (Steel).....                      | 1    |
| 11       | 01-10A981-00350 | Nipple 1/2 NPT, 3.5 In. Lg.....           | 1    |
| 12       | 01-100V11-0033A | Locknut - Conduit 1/2 In.....             | 2    |

