



# Breader/Blender/Sifter

SPECIFICATION

The AyrKing **BBSUL2934AMXTS** is a manual breadmaking workstation with integrated automatic Blender/Sifter machine. Rotary brush sifter operates without detrimental vibration or agitation. Spirally configured nylon bristles form an auger to eject unwanted dough balls to a waste container. Ingredients are fully blended as brush tumbles breadmaking media before it exits through sifter screen. Unique process prevents dough ball grinding, eliminates usual sifting noise, & blends ingredients as it ejects waste.



## ADVANTAGES

- ◆ Sift and blend 30 lbs (14 kg) of breadmaking in 60 seconds
- ◆ Rotary auger brush blends, sifts, and ejects dough balls simultaneously
- ◆ Blending brush action prevents ingredient segregation, unlike vibrating or agitating systems
- ◆ Quiet, vibration-free operation creates results, not disturbances
- ◆ Sixty second timed cycle frees labor and saves energy
- ◆ Fully enclosed sifter with only three internal parts, reduces dust and allows quick and easy cleaning
- ◆ Direct drive, steel geared motor & solid stainless steel fabrication provide lasting performance
- ◆ Storage space for optional third breadmaking lug or ice bath drawer (B652)

## INCLUDED ACCESSORIES

- B101** Red Plastic Lug Plug (Qty.2)
- B122B** S/S Round Dip Basket w/ Blue Handle
- B123** S/S Round Dip Pot
- B128** S/S 2/3 Size Pan
- B150S** Black Bristle 20" Sifter Brush
- B201SC1316** S/S 20" Brush Cover w/ 1.1875" Collar
- B202SX** 20" Sifter Screen w/ Notched End and Perforation on Half
- B219** Brush Post
- B294** Overshelf for BBSUL2934YMX
- B302** White Plastic Breadmaking Lug w/Hole
- B303** White Plastic Breadmaking Lug w/o Hole
- B325** White Plastic Lug Cover S/S Dough Ball Pan
- B504** S/S Dough Ball Pan
- B631** Swivel Casters, Locking, 3.5" (Qty. 4)
- B319** Coiled Power Cord, 10ft, USA

## OPTIONAL ACCESSORIES

- B124** S/S Round Dip Pot Lid
- B126** S/S Rectangular Feathering Basket
- B219H** Brush Post Hanger S/S
- B550** 12" S/S Solid Side Shelf
- B550H** 12" S/S Side Shelf w/ Round Hole
- B652** Ice Bath Drawer Guide
- IB28** 28" Ice Bath
- B632** S/S Add-on Basket Bar

## MODELS

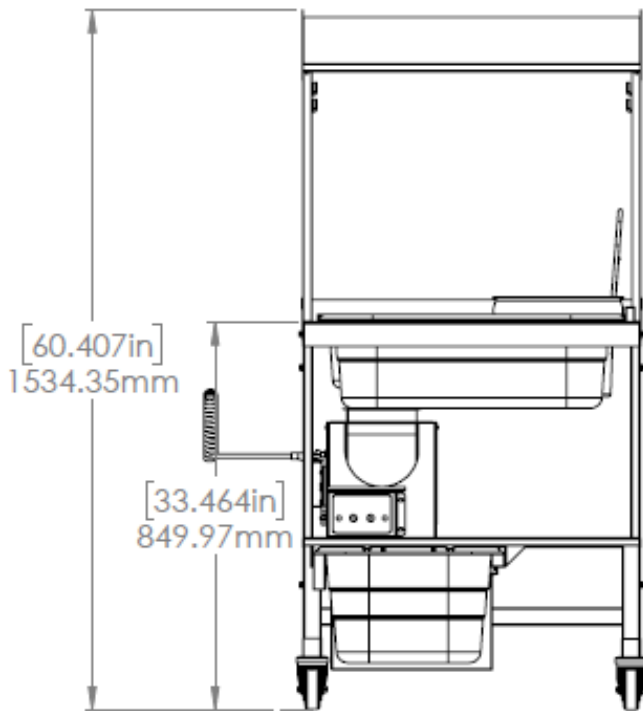
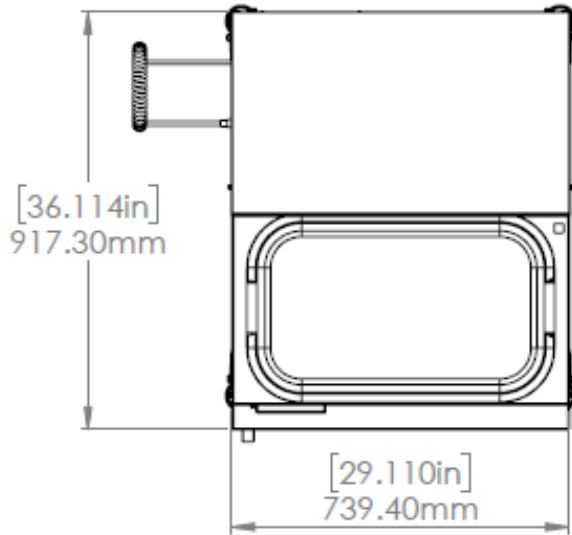
**BBSUL2934AMXTS**

**MODELS**

**CRATED MEASUREMENTS**

**UNCRATED**

MODELS	CRATED MEASUREMENTS				UNCRATED
	LENGTH	WIDTH	HEIGHT	WEIGHT	WEIGHT
<b>BBSUL2934AMXTS</b>	41" (1045mm)	33" (839mm)	43" (1093mm)	236lb (107.1kg)	191 lb (86.6kg)



**ELECTRICAL**

Timed control board automatically senses voltage & operates at either:

**115V**, 50/60Hz, 1 phase, 2.3 AMP, 184W

**230V**, 50/60Hz, 1 phase, 1.2 AMP, 207W

Includes universal male three prong, recessed AC receptacle

(IEC 320 C13) mating to an 10 foot (3048mm) cord with NEMA 5-15P male three prong plug

**WARRANTY**

One Year Parts

Ninety Days Labor

No Travel Time



2013 Cobalt Drive  
Louisville, KY 40299-2417

502.266.6270 | [ayrking.com](http://ayrking.com)

